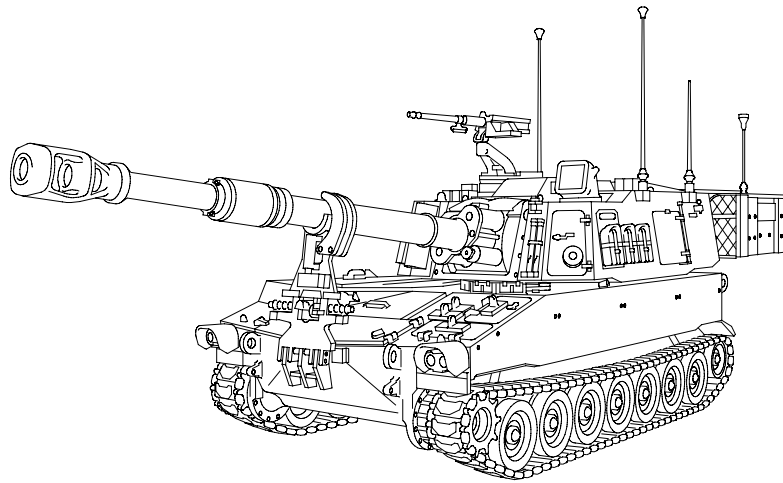


See page i for details.

OPERATOR'S MANUAL



**HOWITZER, MEDIUM,
SELF-PROPELLED:
155MM, M109A6
(NSN 2350-01-305-0028)
(EIC: 3FC)**

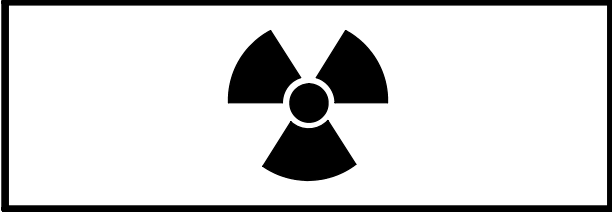
Distribution Statement A: Approved for public release; distribution is unlimited.

Copyright © 1997 BAE Systems Land & Armaments, L.P. Unlimited Government Rights.

OPERATOR'S CONTROLS AND INDICATORS	2-1
PREVENTIVE MAINTENANCE CHECKS AND SERVICES (PMCS)	2-13
OPTICAL FIRE CONTROL	2-133
AUTOMATIC FIRE CONTROL SYSTEM (AFCS)	2-138
PALADIN DIGITAL FIRE CONTROL SYSTEM (PDFCS)	2-258.1
PREPARATIONS FOR FIRING THE HOWITZER	2-259
TROUBLESHOOTING	3-43
FIRE CONTROL ALIGNMENT TESTS AND MEASUREMENTS	3-137
AMMUNITION	5-1

WARNING

RADIOACTIVE MATERIAL(S)



TRITIUM (HYDROGEN-3) GAS

Tritium gas is an ionizing radiation hazard. The beta radiation emitted by tritium is an internal hazard and considered carcinogenic. Tritium can enter the body through inhalation, ingestion or skin absorption.

- If a tritium lamp is broken, tritium gas will oxidize resulting in contamination of the device, personnel and surrounding work areas. Ventilate area immediately with outside air and contact the Local Radiation Safety Officer (LRSO) to determine the extent of contamination to personnel and work areas.
- Prior to maintenance (or if equipment is damaged), check for illumination of the device in a dark room environment. If illumination is not present, notify LRSO. Do not attempt to repair the device.
- Refer to the Safety, Care and Handling section for further guidance.

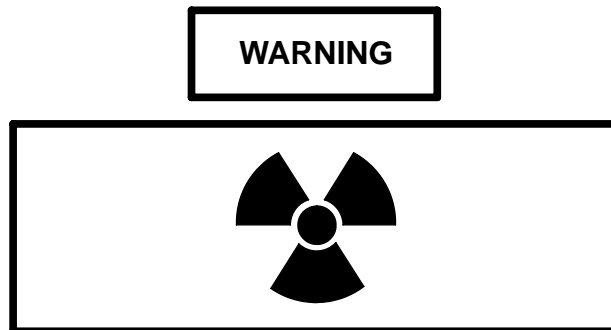
SAFETY, CARE AND HANDLING PROCEDURES FOR TRITIUM FIRE CONTROL DEVICES WITH RADIOACTIVE TRITIUM GAS (³H₂)

1. Purpose and Scope: This procedure implements mandatory license requirements for use and maintenance of tritium radioluminous fire control devices used on howitzers, mortars, tanks, and rifles. Control of Nuclear Regulatory Commission (NRC) licensed radioactive material is mandated by federal law. This procedure is applicable to all personnel working with tritium devices, including general support, direct support and unit maintenance and operator levels.
2. Emergency procedures: In the event the radioluminous source is broken, cracked, or there is no illumination, immediately wrap device in plastic bag (item 5, Appx D) and notify the local RSO. Contact the base safety office for the name and telephone number of your local RSO:

LOCAL RSO: _____ TELEPHONE: _____

- a. If a tritium source breaks, inform other personnel to vacate the area or move upwind. If skin contact is made with any area contaminated with tritium, wash immediately with nonabrasive soap and water. Report the incident to the local RSO. Actions below will be taken under supervision or direction of the local RSO. The local RSO will contact the licensee as indicated in paragraph 6.c.

- b. Personnel handling the tritium device should wear rubber or latex gloves (item 17, Appx D). Device must be immediately double wrapped in clear plastic bags, sealed with tape (item 39, Appx D), and marked as "Broken Tritium Device - Do Not Open" per RSO direction. Dispose of used gloves as radioactive waste, per instructions from local RSO and wash hands immediately after bagging device.
 - c. Personnel who may have been exposed to the broken tritium device should report to health clinic for tritium bioassay. Optimum bioassay sample is at least 4 hours after exposure.
 - d. Broken tritium sources indoors may result in tritium contamination in the area, such as work bench or table. The area must be cordoned off, restricted until wipe tests indicate no contamination.
 - e. Immediately report any suspected lost or damaged items to your Radiation Safety Officer (RSO). If your RSO cannot be reached, contact the TACOM-LCMC-Rock Island Safety Office.
3. Safety precautions:
- a. Check for illumination prior to use or service in low light or darkroom. If not illuminated, do not repair. Wrap the entire device in plastic bag (item 5, Appx D) and notify the local RSO.
 - b. Local RSO will perform a leak test to determine if the device is contaminated with tritium.
 - c. No eating, drinking, or smoking will be allowed in tritium device work areas.
4. Pre-Maintenance Check:



RADIATION HAZARD

Fire control instruments containing Tritium are used as a part of a backup system for manual firing. Loss of illumination may indicate that leakage has occurred. Do not attempt to repair a non-illuminated device.

- a. Prior to taking any maintenance action on fire control devices (e.g., purging or charging M1A1 Collimator), check for broken/cracked reticle or loss of illumination as follows:
 - (1) Place device in the dark for at least two hours to prevent exterior light from activating the phosphor.
 - (2) Check for cracks/illumination in a low light environment after allowing sufficient time to accustom eyes to the dark (15 minutes).

- b. If illumination is not observed, or illuminated but cracks are observed, take following actions:
 - (1) Call your RSO immediately.
 - (2) Personnel handling the tritium device should wear rubber or latex gloves (item 17, Appx D).
 - (3) Seal entire device in two clear plastic bags (item 5, Appx D).
 - (4) Mark the outer bag as "Broken tritium device - do not open."
 - (5) Place the device in an outside storage facility designated by the RSO.
 - (6) Dispose of used gloves as radioactive waste as per instructions from local Radiation Safety Officer (RSO) before touching any other objects or surfaces. Wash hands well with nonabrasive soap and water.
 - c. If illumination is observed, maintenance actions may proceed.
5. Depot Level Maintenance. Activities performing depot level repair (removing tritium lamps from modules) must obtain a Special Repair Authorization (SRA) from TACOM - Rock Island Safety Office.
6. Further information.
- a. Requirements for safe handling and maintenance are located in TM 9-254, General Maintenance Procedures for Fire Control Materiel.
 - b. The following rules and regulations are available from TACOM-LCMC RSO, ATTN: AMSMC-CS-CZR, Rock Island, IL 61299-7630. Copies may be requested or further information obtained by contacting the TACOM-LCMC RSO/licensee.
 - (1) Title 10 CFR Part 19 - Notices, Instructions, and Reports to Workers.
 - (2) Title 10 CFR Part 20 - Standards for Protection Against Radiation.
 - (3) Title 10 CFR Part 21 - Reporting of Defects and Noncompliance.
 - (4) NRC License, License Conditions, and License Application.
 - c. If assistance is needed, contact your local or major command (MACOM) safety office(s) for information on safe handling, shipping, storage, maintenance, or disposal of radioactive devices.
 - d. The TACOM-LCMC RSO/licensee may be contacted by calling: DSN 793-2965/6499, Commercial (309) 782-2965/6499. After duty hours, call the Rock Island Operation Center at DSN 793-7380.



WARNING

CARBON MONOXIDE POISONING CAN BE DEADLY

Carbon monoxide is a colorless, odorless, deadly poisonous gas which, when breathed, deprives the body of oxygen and causes suffocation. Exposure to air contaminated with carbon monoxide produces symptoms of nausea, headache, dizziness, apparent drowsiness, loss of muscular control, and coma. Permanent brain damage or death can result from severe exposure.

Carbon monoxide occurs in the exhaust fumes of fuel-burning heaters and internal-combustion engines and from firing the main armament. It becomes dangerously concentrated under conditions of inadequate ventilation. The following precautions must be observed to ensure the safety of personnel whenever the personnel heater, main or auxiliary engine of any vehicle is operated for maintenance purposes or tactical use, or when firing the main armament.

1. **DO NOT** operate heater or engine of vehicle in an enclosed area unless it is **ADEQUATELY VENTILATED**.
2. **DO NOT** idle engine for long periods without maintaining adequate ventilation in personnel compartments.
3. **DO NOT** drive any vehicle with inspection plates, cover plates, or engine compartment doors removed unless necessary for maintenance purposes.
4. **BE ALERT** at all times during vehicle operation for exhaust odors and exposure symptoms. If either are present, immediately ventilate personnel compartments. If symptoms persist, remove affected personnel from vehicle and treat as follows: expose to fresh air; keep warm; do not permit physical exercise; if necessary, administer artificial respiration.
5. Assure that **LEAD FILTER** switch is set at **INTAKE** during all firings and **VENT DUCT CONTROL HANDLE** is in the **UP** position (para 2-22.2a).

**THE BEST DEFENSE AGAINST CARBON MONOXIDE POISONING
IS ADEQUATE VENTILATION**

WARNING

- **DO NOT** chamber ammunition until immediately before firing. Ammunition left too long in a hot weapon may result in hazardous conditions. Fire or remove ammunition within 5 minutes of chambering.
- For each new issue, overhauled, inspected or repaired cannon or mount received, fire first round using 50-ft lanyard.
- The firing of a field artillery round without a fuze or with an unauthorized fuze is strictly prohibited. Only authorized fuzes will be used with the authorized projectiles and propelling charges, or an in-bore premature explosion will result.
- Do not fire charges 1 and 2, Green Bag, M3A1. The fire control solution to fire these charges in the M109A6 Howitzer is not available.
- Keep all propelling charges containerized until the breech is opened from the previous round. Unused powder increments will be placed back into powder container on the howitzer until time permits burning. Severe burns to personnel may result from accidental ignition of excess powder increments.
- Do not stand directly behind the breech opening while loading.
- Refer to TM 9-1300-206, "Ammunition and Explosives Standards," for correct procedures for storing and handling ammunition.
- High intensity noise hearing protection required. Decibel levels of engine during operation exceed safe levels for human hearing. Failure to wear hearing protection could result in hearing impairment.
- Personnel hearing can be **PERMANENTLY DAMAGED** if exposed to constant high noise levels of 85 dB (A) or greater. Wear approved hearing protection devices when working in high noise level areas. Personnel exposed to high noise levels shall participate in a hearing conversation program in accordance with PAM 40-501. Hearing loss occurs gradually but becomes permanent over time.
- Use care when manually unlocking travel lock. If jaw is not fully unclamped, crowbar will snap back. Injury to personnel could result.
- Do not open doors in an NBC environment. LEAD filter shall be used during Fire Missions and during suspected NBC environment, to prevent exposure to carbon monoxide gas. If NBC exposure is suspected, all air filter media will be handled by personnel wearing full NBC protective equipment. Consult your unit NBC officer or NBC NCO for appropriate handling or disposition instructions.
- Remain at least 2 feet from radiating antennas of vehicle mounted radios. Antennas can radiate harmful levels of radio frequency.

WARNING

- To avoid danger of electrical shock and damage to equipment, ensure that both radio antennas are tied down before driving under overhead power lines.
- Be familiar with all driver's controls. The two-stage accelerator is provided to compensate for variations in driver's seat height and in driver's physical characteristics. **DO NOT** mistake raised portion of accelerator for a brake. Death or injury could result from failure to heed this warning.
- When backing the vehicle for emplacement or any other reason, two personnel must guide the driver.
- Battery BA-I576/U used in night viewer may explode if overheated. Do not operate night viewer on the battery when the power cable is attached. This may cause the battery to overheat. Do not store night viewer with battery installed.
- Phosphorus material on inside of night viewer is toxic if tube is broken. Be careful not to inhale or allow contact with open skin wounds or with mouth.
- Do not remove radiator cap while engine is hot. Hot coolant can cause severe injury.
- Dry-cleaning solvent MIL-PRF-680 is toxic and flammable. To avoid injury, wear protective goggles and gloves and use in a well-ventilated area. Avoid contact with skin, eyes, and clothes. Do not breathe vapors. Do not use near open fire or excessive heat. Do not smoke when using solvent. Failure to do so could cause **SERIOUS INJURY**. If you become dizzy while using dry-cleaning solvent, get fresh air immediately, and if necessary, get medical attention. If contact with skin or clothes is made, flush thoroughly with water. If the solvent contacts your eyes, wash them with water immediately and obtain medical aid (FM 4-25.11).
- During training and in combat (situation permitting) hatches and doors should be opened and personnel should exit the vehicle when CO₂ discharges. Headache, dizziness and performance degradation may occur in the presence of CO₂.
- CO₂ is a toxicant and an asphyxiant. Do not inhale discharged CO₂. Ventilate area if CO₂ is discharged.

WARNING

- Corrosion inhibitor contains alkali. Do not get in eyes; wear goggles/safety glasses when using. Avoid contact with skin. In case of contact, immediately wash area with soap and water. If eyes are contacted, flush eyes with large amounts of water for at least 15 minutes and get immediate medical attention.
- Refer to FM 4-25.11, "First Aid for Soldiers," for correct procedures to be taken if a crewmember is injured. For hazardous materials, refer to the label or material safety data sheet (MSDS).
- Diesel fuel is flammable. **DO NOT** smoke within 50 feet of the vehicle while refueling.
- Do not place flammables or explosives on or near personnel heater to prevent injury to personnel and damage to equipment. Do not block or restrict the heater vent.
- Shut off engine prior to opening the engine doors, unless specified otherwise. Failure to do this may result in personnel injury due to possibility of personnel being struck by moving components.
- A protective fan screen must be installed prior to doing maintenance in the engine compartment when engine is running or when running engine in ground hop mode. High air flow can suck hands into fan impeller.

WARNING

LEAD PARTICULATE AND FUMES HAZARD

The adverse effects associated with exposure of lead range from acute to relatively mild. The symptoms of severe lead intoxication include loss of appetite, metallic taste, constipation, nausea, pallor, excessive tiredness, weakness, insomnia, headache, nervous irritability, muscle and joint pains, fine tremors, numbness, dizziness, hyperactivity, and colic.

Inorganic lead absorption can occur from inhaling finely divided particles of metallic or soluble lead compounds. Lead is released as a result of firing artillery weapons because propelling charges normally contain lead foil as a decoppering agent that removes rotating band residue from the weapon bore. The lead is vaporized as the charge burns and is either swept through the tube and out the muzzle or settles in the crew compartment.

The following precautions must be observed to ensure safety of personnel during routine and combat conditions.

BE ALERT during all firing missions for exposure symptoms. If symptoms of lead intoxication are suspected, **IMMEDIATELY** ventilate vehicle. If symptoms persist, remove affected personnel from vehicle and treat as follows: Expose to fresh air, keep warm, do not permit physical exercise. (Consult FM 4-25.11, "First Aid for Soldiers", for additional instruction.) A physician should be consulted within 24 hours.

WARNING

- Individual exposure shall be limited to a maximum firing dosage of 13 M119 charges or six M203 charges per 24 hour period. If firing dosage will exceed these limits, MCS operation with the M25A1 face mask is required.

WARNING

- The howitzer bustle overhang and low rear door/slip ring present a head injury hazard. This hazard can be reduced by wearing a CVC or kevlar helmet when working around the vehicle.
- The driver must not protrude any part of his body out of the open driver's hatch while the cab is being traversed. The COS shall notify the driver and receive positive verbal acknowledgement from the driver prior to traversing the cab. Failure to do this may result in possible injury/death to the driver.
- When traversing cab at high elevations beyond 45 degrees traverse limit, make sure that personnel in the area of the projectile racks are not struck by the rammer. Failure to do this may result in personnel injury-impact/crushing or equipment damage due to rammer striking personnel or projectile rack.
- Limit crew exposure to vehicle vibration to 5.4 hours per 24 hour period. Prolonged exposure to vehicle vibration can result in permanent physical damage to the crew.
- Crewmembers must wear properly sized and maintained DH-132 helmets (single hearing protection) when engine is on and training more than 46 km in 24 hour period. Ear plugs and DH-132 helmet must be worn if more than 46 km in 24 hour period. All personnel within 6 meters of an operating M109A6 must wear single hearing protection. Failure to do this may result in personnel injury-hearing damage due to exposure to high noise levels.
- The COS and other personnel within 66 feet to either side of the machine gun and 27 feet behind the machine gun must wear approved and properly fitted single hearing protective devices (e.g. DH-132 helmet) when the machine gun is being fired. Failure to do this may result in personnel injury-auditory damage.

WARNING

- When servicing this vehicle, performing maintenance, or disposing of materials such as engine coolant, transmission fluid, lubricants, battery acids or batteries, and CARC paint, consult your unit/local regulatory guidance. If further information is needed please contact the U.S. Army Environmental Hotline at 1-800-872-3845.

WARNING

- When hooking or unhooking towbar from a disabled vehicle, set parking brake or chock tracks of disabled vehicle before hooking or unhooking towbar.
- If towed vehicle is not chocked, or parking brake not set, disabled vehicle may move, causing injury or death to personnel and/or damage to equipment.

WARNING

Personnel in howitzer and ammunition resupply vehicle must wear properly fitting single (e.g. DH-132 helmet, ear plugs, etc.) or double (DH-132 helmet and ear plugs etc.) hearing protection. Personnel located within 630 meters of the howitzer must wear properly fitted single hearing protection during firing. Daily firing dosage per individual must be limited to 1000 points IAW the point value system listed in the following tables. Failure to do this may result in personnel injury-auditory damage due to lack of or inadequate hearing protection.

Table I. Points per Round for Various Propelling Charges and Hatch Configurations if the Driver is in the Driver's Compartment

Hearing Protection	Hatch Configuration	Propelling Charge			
		M203	M119	M4A2	M3A1
Single	All Closed	6	57	8	4
	Rear & Side Open	P	P	8	4
	Only Rear Open	P	65	8	4
Double	All Closed	1	3	1	1
	Rear & Side Open	P	P	1	1
	Only Rear Open	P	4	1	1

P = Prohibited

Note: To be used in calculating recommended maximum number of rounds fired for crewmembers inside the M109A6.

Table II. Points per Round for Various Propelling Charges and Hatch Configurations if the Driver is not in the Driver's Compartment

Hearing Protection	Hatch Configuration	Propelling Charge			
		M203	M119	M4A2	M3A1
Single	All Closed	6	1	6	1
	Rear & Side Open	P	P	6	1
	Only Rear Open	P	14	6	1
Double	All Closed	1	1	1	1
	Rear & Side Open	P	P	1	1
	Only Rear Open	P	1	1	1

P = Prohibited

Note: To be used in calculating recommended maximum number of rounds fired for crewmembers inside the M109A6.

Table III. Points per Round for Various Propelling Charges with the Driver Removed from the Ammunition Resupply Vehicle

Hearing Protection	Hatch Configuration	Propelling Charge			
		M203	M119	M4A2	M3A1
Single	Closed	1	1	1	1
	Open	164	59	42	1
	M548	82	*	*	*
Double	Closed	1	1	1	1
	Open	9	3	3	1
	M548	5	*	*	*

*= No data available to determine points per round.

NOTES:

1. To be used in calculating recommended maximum number of rounds fired for crewmembers in the ammunition area of the ammunition resupply vehicle.
2. Points shown are for all ammunition resupply vehicle personnel when resupply vehicle is less than 45 feet (14 meters) from a firing howitzer.

Table IV. Points per Round for MACS Propelling Charges and Hatch Configurations if the Driver is in the Driver's Compartment.

Hearing Protection	Hatch	M232/M232A1 Chg 5 H5	M232/M232A1 Chg 4 H4	M232/M232A1 Chg 3 H3	M231 Chg 2 L2	M231 Chg 1 L1
Single	All Closed	8	8	4	1	1
	Rear & Side Open	P	P	P	1	1
	Only Rear Open	P	P	P	1	1
Double	All Closed	1	1	1	1	1
	Rear & Side Open	P	P	14	1	1
	Only Rear Open	P	30	14	1	1

Table V. Points per Round for MACS Propelling Charges and Hatch Configurations if the Driver is NOT in the Driver's Compartment.

Hearing Protection	Hatch	M232/M232A1 Chg 5 H5	M232/M232A1 Chg 4 H4	M232/M232A1 Chg 3 H3	M231 Chg 2 L2	M231 Chg 1 L1
Single	All Closed	8	8	1	1	1
	Rear & Side Open	P	P	71	1	1
	Only Rear Open	P	83	71	1	1
Double	All Closed	1	1	1	1	1
	Rear & Side Open	P	P	4	1	1
	Only Rear Open	P	6	4	1	1

Table VI. Points per Round for MACS Propelling Charges with the Driver Removed from the M992A2 Ammunition Resupply Vehicle.

Hearing Protection	Hatch	M232/M232A1 Chg 5 H5	M232/M232A1 Chg 4 H4	M232/M232A1 Chg 3 H3	M231 Chg 2 L2	M231 Chg 1 L1
Single	Closed	P	P	P	6	1
	Open	P	P	P	1	1
Double	Closed	P	P	26	1	1
	Open	40	38	24	1	1

WARNING

- All personnel located outside the vehicle must be clear of hull and driver's hatch must be closed while cab is being traversed.
- Radiation Hazard — Tritium Gas (H-3)
The M140 alignment device is radioactively illuminated. Check for presence of illumination in a low light environment. If illumination is not present, notify local radiological protection officer. Do not attempt to repair.

WARNING**ALKALINE BATTERIES**

- Caustic potassium hydroxide gas may be released from leaking or ruptured batteries. Avoid eye or skin contact and inhalation of vapors. Increase ventilation. Wear safety glasses and rubber gloves when handling leaking batteries. Dispose in accordance with local regulation. Refer to TB 43-0134, Batteries, Disposition and Disposal for additional information.
- The crew compartment must be adequately ventilated during all firing using the LEAD PARTICULATE FILTER or ventilation system in accordance with para 2-22.2.
- Ensure that correct propellant temperature and shell weights are entered in PDFCS. Failure to comply will result in incorrect ballistic computations. This could cause injury or death to friendly troops.
- Radiation Hazard — Tritium Gas (H-3)
The M1A1 collimator is radioactively illuminated and should be checked before using for illumination in low-light environment. If no illumination occurs, notify local radiological protection officer. Do not attempt to repair.
- Site to Crest information must be entered in AFCS/PDFCS or transmitted to POC/BCS/FDC. Failure to enter or send this information will result in an incorrect ballistic computation. This could cause injury or death to friendly troops.
- Direct fire on targets located closer than 800 meters from howitzer will be fired on during combat situations only. Lethal fragments can travel up to 600 meters from point of burst.

WARNING

Electrical power shall be removed (off) before disconnecting or connecting electrical connectors or removing or installing units or components. Inadvertent contact with voltages present may be fatal. Connector pins may be damaged by arcing.

WARNING

- Do not load more than two increments of M231.
- Do not use Charge 1 or 2 green bags, M3A1.
- Do not use Charge 1 or 2, M232/M232A1.
- When authorized rates of fire for howitzer are exceeded, propelling charge cook-offs may occur within 1 minute after chambering. If firing in hot tube status, propelling charge cook-off may occur within 1 minute after chambering. AFCS/PDFCS/TTS will indicate hot, warm, or cold tube. If TTS is operational, use temperature readout to determine tube condition and safe time in tube.
- Keep weapon trained on target. Evacuate all personnel except COS and No. 1 cannoneer.
- Stay clear of recoiling parts and don't put hand behind primer vent.
- The primer can be expelled rearward should there be a sticker.
- Never fire a projectile or charge that has been allowed to cool in a heated tube. Separate them and mark both unserviceable.
- When opening the breech to remove the powder charge and if smoke/sparks are coming from the chamber area, do not attempt to remove the charge or close the breech. Immediately evacuate the vehicle through the gunner's escape hatch, commander's cupola, or cab side doors, but not the hull rear door. Notify EOD.

WARNING

When inspecting or working with the AFCS or PDFCS DU, if screens appear to be cracked or broken or you suspect that mercury is escaping or has escaped, avoid breathing the vapors, avoid contact with eyes, skin or clothes and exit vehicle as fast as possible. Upon exiting the vehicle, immediately contact proper authorities so that spillage can be removed. Failure to comply could result in personnel injury from mercury exposure.

WARNING

Before troubleshooting AFCS gun positioning faults, make sure immediate area around and in the howitzer is clear of personnel and that no other equipment is within the 360 degree radius of the cab. Before moving gun servo switch to the ON position, announce loudly to everyone in immediate area, "AFCS POWER ON." Serious injury or death, and/or equipment damage could result.

WARNING

Before troubleshooting PDFCS gun positioning faults, make sure immediate area around and in the howitzer is clear of personnel and that no other equipment is within the 360 degree radius of the cab. Before moving gun servo switch to the ON position, announce loudly to everyone in immediate area, "PDFCS POWER ON." Serious injury or death, and/or equipment damage could result.

WARNING

Ensure that correct propellant temperature and shell weights are entered in AFCS. Failure to comply will result in incorrect ballistic computations. This could result in injury or death to friendly troops.

WARNING

Entry of improper data into boresight angle entry menu can cause gun to be laid incorrectly. This could result in injury or death to personnel down range.

WARNING

- Modification and use of ADVANCED SETTINGS should only be performed at the direction of FDC. Improper use of ADVANCED SETTINGS will seriously degrade network.
- ADVANCED SETTING changes are not authorized by the user unless directed by FDC. Failure to comply could result in system degradation.

WARNING

LITHIUM-SULFUR DIOXIDE (Li-SO₂) BATTERY, BA-5800

Li-SO₂ batteries contain pressurized SO₂ gas. The gas has a sharp pungent odor (characterized as “rotten egg” smell), and is highly toxic. The battery **MUST NOT** be abused in any way which may cause the battery to rupture. Always use these lithium battery precautions:

- If you hear a hissing sound (battery venting), or smell irritating gas, **IMMEDIATELY** turn off the equipment, and **LEAVE** the area. Ventilate area until smell of leaking gas has dissipated.
- **IMMEDIATELY** turn off the equipment if battery or battery compartment shows signs of overheating or becomes hot to the touch. Allow the battery to cool (at least 60 minutes) before removing it.
- Never charge, short circuit, mutilate, or dispose of lithium batteries in a fire, or in any way expose lithium batteries to excessive heat.
- When operating the EPIAFS on external power with BA-5800 lithium battery installed, the battery may explode. Ensure battery is removed before connecting power cable to prevent serious injury.
- Dispose of hazardous material and waste through the local servicing DRMO or via local contract. coordinate with local Installation/Environmental/Hazmat Officer to ensure conformance with federal, state and local environmental regulations.
- Always store, operate, and dispose of lithium batteries in accordance with TB 43-0134, Technical Bulletin Battery Disposition and Disposal.

WARNING

- The firing of High Explosive Projectiles could be hazardous. A detonation of the projectile in the safe separation distance is improbable, but possible. To reduce the effects of this hazard, all personnel outside the howitzer should wear ballistic body armour during fire missions. This warning applies to both direct and indirect fire modes for all fragmentation high explosive type projectiles fired with the fuzes stated below.
- Fuze, Point detonating, M739 series (N340)
- Fuze, Point detonating, MK399 MOD1 (N659)
- Fuze, Mechanical Time and Superquick, M582 series (N286)
- Fuze, Proximity, M732 (N464)
- Fuze, Proximity, M732A2 (N291)
- Fuze, Electronic Time and Superquick, M767 series (N290)
- Fuze, Multi Option Fuze Artillery, M782 (NA09)

WARNING

In the event of an emergency shutdown, DO NOT TOUCH the heater or heat exchanger until it has had sufficient time to cool. Serious injury or burns could result.

WARNING

Before troubleshooting AFCS gun positioning faults, make sure immediate area around and in the howitzer is clear of personnel and that no other equipment is within the 360 degree radius of the cab. Before moving gun servo switch to the ON position, announce loudly to everyone in immediate area, "AFCS POWER ON". Serious injury or death, and/or equipment damage could result.

WARNING

- Modification and use of Advanced Settings should only be performed at the direction of FDC. Improper use of Advanced Settings will seriously degrade network.
- Advanced Setting changes are not authorized by the user unless directed by FDC. Failure to comply could result in system degradation.

**CHANGE
NO. 6**

**TM 9-2350-314-10
C6
HEADQUARTERS
DEPARTMENT OF THE ARMY
WASHINGTON, D.C., 30 September 2008**

**OPERATOR'S MANUAL
FOR
HOWITZER, MEDIUM,
SELF-PROPELLED: 155MM M109A6
(NSN 2350-01-305-0028) (EIC: 3FC)**

TM 9-2350-314-10, 8 February 1999, is changed as follows:

1. The purpose of this change is to update TM 9-2350-314-10.
2. New or changed material is indicated by a vertical bar in the outside margin of text changes and by a hand symbol beside illustration changes.
3. Remove the old page and insert the new page as indicated below:

Remove Pages

A through D
i through iv
None
None
J.1-1 and J.1-2
None
None
Index-1 and Index-2

Insert Pages


A through D
i through iv
F.2-1 through F.2-30
G.4-1 through G.4-4
J.1-1 and J.1-2
N-1 through N-261/(N-262 blank)
O-1 through O-263/(O-264 blank)
Index-1 and Index-2

4. File this change in front of the publication.

Distribution Statement A: Approved for public release; distribution is unlimited.

By Order of the Secretary of the Army:

GEORGE W. CASEY, JR.
General, United States Army
Chief of Staff

Official:

JOYCE E. MORROW
Administrative Assistant to the
Secretary of the Army
0819801

Distribution:

To be distributed in accordance with the initial distribution number (IDN) 371931 requirements for TM 9-2350-314-10.

**CHANGE
NO. 5**

**OPERATOR'S MANUAL
FOR
HOWITZER, MEDIUM,
SELF-PROPELLED: 155MM M109A6
(NSN 2350-01-305-0028) (EIC: 3FC)**

TM 9-2350-314-10, February 1999, is changed as follows:

1. The purpose of this change is to update TM 9-2350-314-10.
2. New or changed material is indicated by a vertical bar in the outside margin of text changes and by a hand symbol beside illustration changes.
3. Remove the old page and insert the new page as indicated below:

Remove Pages

a through h
k through n
None
A through D
i through iv
1-1 and 1-2
1-5 through 1-14
1-18.1 and 1-18.2
1-19 and 1-20
1-25 and 1-26
1-37 and 1-38
1-38.1 and 1-38.2
1-39 and 1-40
2-13 and 2-14
None
2-15 and 2-16
2-23 and 2-24
2-27 and 2-28
2-28.1 and 2-28.2
None
2-29 through 2-32
2-37 through 2-40
2-53 and 2-54
2-69 and 2-70
2-111 through 2-114
2-143 and 2-144

Insert Pages

a through h
k through n
o through r
A through E/(F blank)
i through iv
1-1 and 1-2
1-5 through 1-14
1-18.1 and 1-18.2
1-19 and 1-20
1-25 and 1-26
1-37 and 1-38
1-38.1 and 1-38.2
1-39 and 1-40
2-13 and 2-14
2-14.1/(2-14.2 blank)
2-15 and 2-16
2-23 and 2-24
2-27 and 2-28
2-28.1 and 2-28.2
2-28.3 and 2-28.4
2-29 through 2-32
2-37 through 2-40
2-53 and 2-54
2-69 and 2-70
2-111 through 2-114
2-143 and 2-144

Remove Pages

2-155 through 2-158
2-229 and 2-230
2-251 and 2-252
2-258.21 and 2-258.22
2-263 through 2-266
2-285 and 2-286
2-297 and 2-298
2-303 and 2-304
None
2-331 and 2-332
None
3-35 and 3-36
3-38.31 through 3-38.34
3-40.1 and 3-40.2
3-41/(3-42 blank)
3-50.11 and 3-50.12
3-55 and 3-56
None
3-77 through 3-86
3-95 and 3-96
4-1 and 4-2
5-11 and 5-12
5-21 through 5-24
5-33 and 5-34
5-34.1/(5-34.2 blank)
5-35 through 5-38
5-55 through 5-60
5-67 and 5-68
6-1 and 6-2
6-11 and 6-12
6-12.1/(6-12.2 blank)
A-1 through A-3/(A-4 blank)
B-1 through B-4
B-13 and B-14
D-1 through D-4
E-11 and E-12
E-17/(E-18 blank)
F-3 through F-6
F-11 and F-12
F-15 through F-18
I-1 through I-6
J.1-1 and J.1-2
K.1-1 through K.1-4
M-187 through M-190
Index-1 through Index-19/(Index-20 blank)
DA Form 2028-2 Sample Part 1/2
DA Form 2028-2 Part 1/2
Conversion Chart/blank
Measurement/PIN
Front Cover/blank

Insert Pages

2-155 through 2-158
2-229 and 2-230
2-251 and 2-252
2-258.21 and 2-258.22
2-263 through 2-266
2-285 and 2-286
2-297 and 2-298
2-303 and 2-304
2-312.3 and 2-312.4
2-331 and 2-332
2-332.1 through 2-332.6
3-35 and 3-36
3-38.31 through 3-38.34
3-40.1 and 3-40.2
3-41/(3-42 blank)
3-50.11 and 3-50.12
3-55 and 3-56
3-56.1 and 3-56.2
3-77 through 3-86
3-95 and 3-96
4-1 and 4-2
5-11 and 5-12
5-21 through 5-24
5-33 and 5-34
5-34.1 and 5-34.2
5-35 through 5-38
5-55 through 5-60
5-67 and 5-68
6-1 and 6-2
6-11 and 6-12
6-12.1/(6-12.2 blank)
A-1 through A-3/(A-4 blank)
B-1 through B-4
B-13 and B-14
D-1 through D-4
E-11 and E-12
E-17/(E-18 blank)
F-3 through F-6
F-11 and F-12
F-15 through F-18
I-1 through I-6
J.1-1 and J.1-2
K.1-1 through K.1-4
M-187 through M-190
Index-1 through Index-19/(Index-20 blank)
DA Form 2028 Sample Part 1/2
DA Form 2028 Part 1/2 (3)
Conversion Chart/blank
Measurement/PIN
Front Cover/blank

4. File this change in front of the publication.

By Order of the Secretary of the Army:

Official:



JOYCE E. MORROW

*Administrative Assistant to the
Secretary of the Army*

0727602

GEORGE W. CASEY, JR.
*General, United States Army
Chief of Staff*

Distribution:

To be distributed in accordance with the initial distribution number (IDN) 371931 requirements for TM 9-2350-314-10.

CHANGE
NO. 4

TM 9-2350-314-10
C4
HEADQUARTERS
DEPARTMENT OF THE ARMY
WASHINGTON, D.C., 15 JULY 2005

**OPERATOR'S MANUAL
FOR
HOWITZER, MEDIUM,
SELF-PROPELLED: 155MM M109A6
(NSN 2350-01-305-0028) (EIC: 3FC)**

TM 9-2350-314-10, February 1999, is changed as follows:

1. The purpose of this change is to update TM 9-2350-314-10.
2. New or changed material is indicated by a vertical bar in the outside margin of text changes and by a hand symbol beside illustration changes.
3. Remove the old page and insert the new page as indicated below:

Remove Pages

m and n
A through D
i through (v blank)/1-0
1-5 through 1-8
None
None
None
None
None
None
Index-1 and Index-2
None
Measurement page/Back cover (PIN)

Insert Pages


m and n
A through D
i through 1-0
1-5 through 1-8
F.1-1 through F.1-30
G.2-1 through G.2-7/(G.2-8 blank)
G.3-1 through G.3-7/(G.3-8 blank)
J.1-1 through J.1-8
L-1 through L-209/(L-210 blank)
M-1 through M-209/(M-210 blank)
Index-1 and Index-2
Index-15 through Index-19/(Index-20 blank)
Measurement page/Back cover (PIN)

4. File this change in front of the publication.

Distribution Statement A: Approved for public release; distribution is unlimited.

By Order of the Secretary of the Army:

Official:


SANDRA R. RILEY
*Administrative Assistant to the
Secretary of the Army*
0506705

PETER J. SCHOOMAKER
*General, United States Army
Chief of Staff*

DISTRIBUTION: To be distributed in accordance with the Initial Distribution Number (IDN) 371931, requirements for TM 9-2350-314-10.

**CHANGE
NO. 3**

**OPERATOR'S MANUAL
FOR
HOWITZER, MEDIUM,
SELF-PROPELLED: 155MM M109A6
(NSN 2350-01-305-0028) (EIC: 3FC)**

TM 9-2350-314-10, February 1999, is changed as follows:

1. The purpose of this change is to update TM 9-2350-314-10.
2. New or changed material is indicated by a vertical bar in the outside margin of text changes and by a hand symbol beside illustration changes.
3. Remove the old page and insert the new page as indicated below:

Remove Pages

k and l
none
A through D
i and ii
1-1 through 1-8
1-11 through 1-14
1-17 and 1-18
none
1-19 and 1-20
1-25 and 1-26
none
1-39 and 1-40
none
2-15 and 2-16
2-27 and 2-28
none
2-29 and 2-30
2-37 through 2-40
2-47 and 2-48
2-67 and 2-68
2-123 and 2-124
2-129 and 2-130
2-133 and 2-134
2-181 and 2-182

Insert Pages

k and l
m and n
A through D
i and ii
1-1 through 1-8
1-11 through 1-14
1-17 and 1-18
1-18.1 and 1-18.2
1-19 and 1-20
1-25 and 1-26
1-38.1 and 1-38.2
1-39 and 1-40
2-8.1 and 2-8.2
2-15 and 2-16
2-27 and 2-28
2-28.1 and 28.2
2-29 and 2-30
2-37 through 2-40
2-47 and 2-48
2-67 and 2-68
2-123 and 2-124
2-129 and 2-130
2-133 and 2-134
2-181 and 2-182

Distribution Statement A: Approved for public release; distribution is unlimited.

TM 9-2350-314-10

none	2-258.1 through 2-258.143/ (2-258.144 blank)
2-259 through 2-262	2-259 through 2-262
2-265 through 2-268	2-265 through 2-268
2-293 through 2-298	2-293 through 2-298
2-300.1/(2-300.2 blank)	2-300.1/(2-300.2 blank)
2-303 through 2-308	2-303 through 2-308
2-316.3 and 2-316.4	2-316.3 through 2-316.9/ (2-316.10 blank)
2-317 and 2-318	2-317 and 2-318
2-321 through 2-324	2-321 through 2-324
2-331 and 2-332	2-331 and 2-332
2-335 and 2-336	2-335 and 2-336
3-1 and 3-2	3-1 and 3-2
none	3-38.1 through 3-38.34
3-39 and 3-40	3-39 and 3-40
none	3-40.1 and 3-40.2
3-3-41 and 3-42	3-41/(3-42 blank)
none	3-50.3 through 3-50.12
3-61 and 3-62	3-61 and 3-62
3-67 and 3-68	3-67 and 3-68
3-77 through 3-84	3-77 through 3-84
3-91 and 3-92	3-91 and 3-92
3-95 and 3-96	3-95 and 3-96
3-129 through 3-134	3-129 through 3-134
3-157 through 3-162	3-157 through 3-162
5-21 through 5-26.2/(5-26.2 blank)	5-21 through 5-26.2/(5-26.2 blank)
5-57 and 5-58	5-57 and 5-58
A-1 and A-2	A-1 and A-2
B-1 and B-2	B-1 and B-2
B-13 and B14	B-13 and b14
D-1 through D-5/(D-6 blank)	D-1 through D-5/(D-6 blank)
E-3 and E-4	E-3 and E-4
E-11 and E-12	E-11 and E-12
F-1 through F-6	F-1 through F-6
F-9 through F-18	F-9 through F-18
F-23 through F-26	F-23 through F-26
F-29 through F-31/(F-32 blank)	F-29 through F-31/(F-32 blank)
none	G.1-1 through G.1-7/(G.1-8 blank)
I-3 and I-4	I-3 and I-4
I-19 and I-20	I-19 and I-20
J-1 and J-2	J-1 and J-2
none	K.1-1 through K.1-7/(k.1-8 blank)
Index-1 through Index-13/(Index-14 blank)	Index-1 through Index-14
Measurement page/Back cover (PIN)	Measurement page/Back cover (PIN)
Front Cover/Blank	Front Cover/Blank

4. File this change in front of the publication.

By Order of the Secretary of the Army:

Official:



JOEL B. HUDSON

*Administrative Assistant to the
Secretary of the Army*

0420302

PETER J. SCHOOMAKER
*General, United States Army
Chief of Staff*

DISTRIBUTION: To be distributed in accordance with the Initial Distribution Number (IDN) 371238, requirements for TM 9-2350-314-10

**CHANGE
NO.2**

**OPERATOR'S MANUAL
FOR
HOWITZER, MEDIUM,
SELF-PROPELLED: 155MM M109A6
(NSN 2350-01-305-0028) (EIC: 3FC)**

TM 9-2350-314-10, February 1999, is changed as follows:

1. The purpose of this change is to update TM 9-2350-314-10.
2. New or changed material is indicated by a vertical bar in the outside margin of text changes and by a hand symbol beside illustration changes.
3. Remove the old page and insert the new page as indicated below:

Remove Pages

a through d
k/(l blank)
A through C/(D blank)
1-0
1-1 through 1-6
1-11 and 1-12
1-15 and 1-16
1-21 and 1-22
1-25 and 1-26
2-19 through 2-24
2-35 and 2-36
2-39 and 2-40
2-47 through 2-50
2-54.1/(2-54.2 blank)
None
2-63 and 2-64
2-69 and 2-70
2-103 through 2-106
2-117 and 2-118
2-129 and 2-130
2-133 and 2-134
2-137 and 2-138
2-143 through 2-146
2-157 and 2-158
2-179 through 2-182
2-209 through 2-212
2-229 and 2-230
2-245 and 2-246
2-251 and 2-252
2-265 through 2-276
2-279 and 2-280
2-285 and 2-286

Insert Pages

a through d
k and l
A through C/(D blank)
(v blank)/1-0
1-1 through 1-6
1-11 and 1-12
1-15 and 1-16
1-21 and 1-22
1-25 and 1-26
2-19 through 2-24
2-35 and 2-36
2-39 and 2-40
2-47 through 2-50
2-54.1 and 2-54.2
2-62.1 and 2-62.2
2-63 and 2-64
2-69 and 2-70
2-103 through 2-106
2-117 and 2-118
2-129 and 2-130
2-133 and 2-134
2-137 and 2-138
2-143 through 2-146
2-157 and 2-158
2-179 through 2-182
2-209 through 2-212
2-229 and 2-230
2-245 and 2-246
2-251 and 2-252
2-265 through 2-276
2-279 and 2-280
2-285 and 2-286

None
2-287 through 2-292
None
2-303 and 2-304
2-311 through 2-314
2-325 through 2-328
3-33 and 3-34
3-51 through 3-56
3-69 and 3-70
3-81 and 3-82
3-87 through 3-90
3-93 through 3-96
3-137 and 3-138
3-161 and 3-162
5-5 and 5-6
5-21 through 5-24
5-29 and 5-30
None
5-33 and 5-34
None
5-35 through 5-36.2
None
5-37 through 5-40
5-45 and 5-46
5-53 through 5-56
None
5-57 through 5-60
5-67 through 5-70.2
A-1 through A-3/(A-4 blank)
B-1 and B-2
B-5 through B-8
D-3 through D-5/(D-6 blank)
E-3 through E-8
E-11 and E-12
None
E-13 and E-14
H-1 and H-2
I-1 through I-4
I-15 through I-22
I-31 and I-32
I-35 and I-36
Index-3 through Index 12

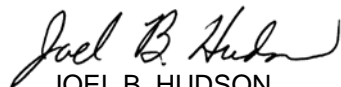
2-286.1/(2-286.2 blank)
2-287 through 2-292
2-302.1/(2-302.2 blank)
2-303 and 2-304
2-311 through 2-314
2-325 through 2-328
3-33 and 3-34
3-51 through 3-56
3-69 and 3-70
3-81 and 3-82
3-87 through 3-90
3-93 through 3-96
3-137 and 3-138
3-161 and 3-162
5-5 and 5-6
5-21 through 5-24
5-29 and 5-30
5-30.1/(5-30.2 blank)
5-33 and 5-34
5-34.1/(5-34.2 blank)
5-35 through 5-36.2
5-36.3/(5-36.4 blank)
5-37 through 5-40
5-45 and 5-46
5-53 through 5-56
5-56.1 through 5-56.4
5-57 through 5-60
5-67 through 5-70.2
A-1 through A-3/(A-4 blank)
B-1 and B-2
B-5 through B-8
D-3 through D-5/(D-6 blank)
E-3 through E-8
E-11 and E-12
E-12.1/(E-12.2 blank)
E-13 and E-14
H-1 and H-2
I-1 through I-4
I-15 through I-22
I-31 and I-32
I-35 and I-36
Index-3 through Index-12

4. File this change in front of the publication.

By Order of the Secretary of the Army:

ERIC K. SHINSEKI
General, United States Army
Chief of Staff

Official:


JOEL B. HUDSON
Administrative Assistant to the
Secretary of the Army
0133203

DISTRIBUTION: To be distributed in accordance with IDN 371931 requirements for
TM 9-2350-314-10.

CHANGE
NO.1

TM 9-2350-314-10
C1
HEADQUARTERS
DEPARTMENT OF THE ARMY
WASHINGTON, D.C., 1 APRIL 2001

**OPERATOR'S MANUAL
FOR
HOWITZER, MEDIUM,
SELF-PROPELLED: 155MM M109A6
(NSN 2350-01-305-0028) (EIC: 3FC)**

TM 9-2350-314-10, February 1999, is changed as follows:

1. The purpose of this change is to update TM 9-2350-314-10.
2. New or changed material is indicated by a vertical bar in the outside margin of text changes and by a hand symbol beside illustration changes.
3. Remove the old page and insert the new page as indicated below:

Remove Pages

c through f

i and j

none

i and ii

1-1 and 1-2

1-7 and 1-8

1-21 and 1-22

1-35 and 1-36

2-5 and 2-6

2-11 and 2-12

2-19 through 2-32

2-35 through 2-38

2-45 through 2-56

2-61 through 2-68

2-75 through 2-86

2-89 through 2-92

2-113 and 2-114

2-131 and 2-132

2-137 through 2-148

2-151 through 2-200

2-203 through 2-258

2-283 and 2-284

2-293 and 2-294

Insert Pages

c through f

i and j

A through C/(D blank)

i and ii

1-1 and 1-2

1-7 and 1-8

1-21 and 1-22

1-35 and 1-36

2-5 and 2-6

2-11 and 2-12

2-19 through 2-32

2-35 through 2-38

2-45 through 2-56

2-61 through 2-68

2-74.1 through 2-86

2-89 through 2-92

2-113 and 2-114

2-131 and 2-132

2-137 through 2-148

2-151 through 2-200

2-203 through 2-258

2-283 and 2-284

2-293 and 2-294

Distribution Statement A: Approved for public release; distribution is unlimited.

Remove Pages

2-297 through 2-304
2-309 through 2-316
2-325 through 2-332
2-337 and 2-338
3-3 through 3-10
3-17 through 3-22
3-25 through 3-40
3-43 through 3-48
3-51 and 3-52
3-59 through 3-62
3-77 and 3-78
3-81 and 3-82
3-85 and 3-86
3-95 through 3-102
3-115 and 3-116
3-133 through 3-138
3-159 and 3-160
5-1 through 5-10
5-21 through 5-30
5-33 through 5-38
5-45 and 5-46
5-51 and 5-52
5-57 through 5-70
A-1 and A-2
B-3 through B-6
B-13 and B-14
D-3 and D-4
E-3 and E-4
F-1 through F-6
F-9 and F-10
F-13 and F-14
F-19 and F-20
F-23 and F-24
F-27 and F-28
G-1 and G-2
H-1 and H-2
I-1 through I-8
I-11 through I-16

Insert Pages

2-297 through 2-304
2-309 through 2-316.4
2-325 through 2-332
2-337 and 2-338
3-3 through 3-10
3-17 through 3-22
3-24.1 through 3-40
3-43 through 3-48
3-50.1 through 3-52
3-59 through 3-62.1/(3-62.2 blank)
3-77 and 3-78
3-81 and 3-82
3-85 and 3-86
3-95 through 3-102
3-115 and 3-116
3-133 through 3-138
3-159 and 3-160
5-1 through 5-10
5-21 through 5-30
5-33 through 5-38
5-45 and 5-46
5-51 and 5-52
5-57 through 5-70.2
A-1 through A-3/(A-4 blank)
B-3 through B-6
B-13 and B-14
D-3 and D-4
E-3 and E-4
F-1 through F-6
F-9 and F-10
F-13 and F-14
F-19 and F-20
F-23 and F-24
F-27 and F-28
G-1 and G-2
H-1 and H-2
I-1 through I-8
I-11 through I-16

Remove Pages

I-21 through I-24

J-1 through J-4

none

Index-1 through Index-13/(Index-14 blank)

DA2028-2 form - sample

DA2028-2 form (4 copies)

Cover/ blank

Insert Pages

I-21 through I-24

J-1 through J-8

K-1 through K-9 (K-10 blank)

Index-1 through Index-13/(Index-14 blank)

DA2028-2 form - sample

DA2028-2 form (4 copies)

Cover/ blank

4. File this change in front of the publication.

TM 9-2350-314-10

By Order of the Secretary of the Army:

Official:



JOEL B. HUDSON

*Administrative Assistant to the
Secretary of the Army*

0133203

ERIC K. SHINSEKI
*General, United States Army
Chief of Staff*

DISTRIBUTION: To be distributed in accordance with IDN 371931 requirements for
TM 9-2350-314-10.

INSERT LATEST CHANGED PAGES.
DESTROY SUPERSEDED PAGES

LIST OF EFFECTIVE PAGES

Note: The portion of the text affected by the changes is indicated by a vertical line in the outer margin of the page. Changes to illustrations are indicated by miniature pointing hands. Changes to wiring diagrams are indicated by shaded areas.

Date of issue for original and changed pages are:

- Original 0 8 February, 1999
- Change 1 1 April, 2001
- Change 2 15 January 2002
- Change 3 30 September, 2004
- Change 4 15 July, 2005
- Change 5 30 June, 2008
- Change 6 30 September 2008

TOTAL NUMBER OF PAGES IN THIS PUBLICATION IS 2,252 CONSISTING OF THE FOLLOWING:

Page No.	*Change No.	Page No.	*Change No.	Page No.	*Change No.
Cover/blank.....	5	1-19	5	2-28	5
Change 6 Errata Added(2)	6	1-20	0	2-28.1 – 2-28.2 Added	5
Change 5 Errata Added (4)	5	1-21	2	2-28.3 – 2-28.4 Added	5
Change 4 Errata (2)	4	1-22 – 1-25	0	2-29	5
Change 3 Errata (4)	3	1-26	5	2-30	1
Change 2 Errata (4)	2	1-27 – 1-35	0	2-31	5
Change 1 Errata (4)	1	1-36	1	2-32	1
a - c	5	1-37	0	2-33 – 2-34	0
d	1	1-38	5	2-35	2
e – h	5	1-38.1 Added	5	2-36 – 2-37	1
i – j	0	1-38.2	5	2-38	5
k	3	1-39	5	2-39	5
l	5	1-40 – 1-43/(1-44 blank)	0	2-40	2
m	5	2-1 – 2-4	0	2-41 – 2-45	0
n	5	2-5	1	2-46	1
o – r	5	2-6 – 2-8	0	2-47 – 2-48	3
A – F blank	6	2-8.1 – 2-8.2	3	2-49	2
i	6	2-9 – 2-11	0	2-50 – 2-51	1
ii - iii	6	2-12	1	2-52 – 2-53	0
iv	0	2-13 – 2-14	5	2-54	5
v	0	2-14.1 Added	5	2-54.1 – 2-54.2	2
1-0	4	2-14.2 Blank Added	5	2-55 – 2-56	1
1-1 – 1-2	5	2-15	5	2-57	0
1-3 – 1-4	3	2-16	3	2-58 – 2-61	2
1-5 – 1-10	5	2-17 – 2-18	0	2-62	1
1-11	3	2-19	2	2-62.1 – 2-62.2 Added	2
1-12 - 1-14	5	2-20	1	2-63	2
1-15	2	2-21 – 2-23	2	2-64 – 2-65	0
1-16	0	2-24	5	2-66	1
1-17	3	2-25	1	2-68	1
1-18	0	2-26	0	2-69	5
1-18.1 – 1-18.2	5	2-27	1	2-70 – 2-74	0

*Zero in this column indicates an original page

TM 9-2350-314-10

Page No.	*Change No.	Page No.	*Change No.	Page No.	*Change No.
2-74.1 – 2-74.2 Added.....	1	2-164.1 – 2-164.2 Added.....	1	2-258.23 - 2-258.144 Blank.....	3
2-75.....	1	2-165 – 2-168	1	2-259	3
2-76 – 2-77	0	2-168.1 – 2-168.5 Added.....	1	2-260 – 2-261	0
2-78.....	1	2-168.6 Blank Added.....	1	2-262	3
2-79.....	0	2-169 – 2-173	1	2-263 – 2-265.....	5
2-80 – 2-82	1	2-174	0	2-266 – 2-267	2
2-83.....	0	2-175 – 2-178	1	2-268	3
2-84 – 2-85	1	2-179	2	2-269	0
2-86 – 2-89	0	2-180 – 2-181	1	2-270	2
2-90 – 2-92	1	2-182	3	2-271	0
2-93 – 2-103	0	2-183 – 2-185	1	2-272 – 2-276.....	2
2-104 – 2-105	2	2-186	0	2-277 – 2-278.....	0
2-106 – 2-110	0	2-187 – 2-191	1	2-279	2
2-111.....	5	2-192	0	2-280 – 2-283.....	0
2-112 – 2-113	0	2-193 – 2-200	1	2-284	1
2-114.....	5	2-201 – 2-203	0	2-285	0
2-115 – 2-117	0	2-204	1	2-286	5
2-118.....	2	2-205	0	2-286.1 Blank Added.....	2
2-119 – 2-122	0	2-206 – 2-208.....	1	2-286.2 Added.....	2
2-123 – 2-124	3	2-208.1 Added.....	1	2-287	0
2-125 – 2-128	0	2-208.2 Blank Added.....	1	2-288 – 2-291	2
2-129.....	3	2-209	1	2-292	0
2-130.....	2	2-210 – 2-211	2	2-293 – 2-296.....	3
2-131.....	0	2-212 – 2-218	1	2-297	5
2-132.....	1	2-218.1 Added.....	1	2-298 – 2-300.....	1
2-133.....	3	2-218.2 Blank Added.....	1	2-300.1Blank	3
2-134.....	2	2-219 – 2-224	1	2-300.2	1
2-135 – 2-136	0	2-224.1 Added.....	1	2-301 – 2-302.....	1
2-137.....	2	2-224.2 Blank	1	2-302.1 Added.....	2
2-138 – 2-139	1	2-225 Deleted.....	1	2-302.2 Blank	3
2-140.....	0	2-226 – 2-228	1	2-303	5
2-141.....	1	2-229	5	2-304	0
2-142.....	0	2-230	2	2-305 – 2-306.....	5
2-142.1 – 2-142.2 Added.....	1	2-231	1	2-307	3
2-143.....	1	2-232 Deleted.....	1	2-308	0
2-144.....	5	2-233 – 2-235	1	2-309	1
2-145.....	2	2-236 – 2-237	0	2-310	0
2-146 – 2-147	1	2-238 Deleted.....	1	2-311 – 2-312.....	2
2-148 – 2-150	0	2-239 – 2-240	1	2-312.1 – 2-312.2 Added	1
2-151 – 2-152	1	2-241	0	2-312.3 – 2-312.4 Added	5
2-152.1 Added	1	2-242 – 2-244	1	2-313 – 2-314.....	2
2-152.2 Blank Added	1	2-244.1 – 2-244.2 Added.....	1	2-315 – 2-316.....	1
2-153 – 2-154	1	2-245	2	2-316.1 – 2-316.2 Added	1
2-155.....	0	2-246 – 2-247	1	2-316.3	1
2-156 – 2-157	5	2-248 – 2-249	0	2-316.4	3
2-158.....	2	2-250	1	2-316.5 – 2-316.9 Added	3
2-158.1 – 2-158.3 Added.....	1	2-250.1 – 2-250.2 Added.....	1	2-316.10 Blank Added.....	3
2-158.4 Blank Added	1	2-251	5	2-317	3
2-159.....	0	2-252	2	2-318 – 2-321	0
2-160	1	2-253 – 2-256	1	2-322 – 2-323.....	3
2-161 Deleted	1	2-257	0	2-324 – 2-325.....	0
2-162	1	2-258	1	2-326 – 2-327	2
2-162.1 – 2-162.4 Added.....	1	2-258.1 – 2-258.21 Added.....	3	2-328 – 2-330.....	1
2-163 – 2-164	1	2-258.22	5	2-331 – 2-332.....	5

*Zero in this column indicates an original page

Page No.	*Change No.	Page No.	*Change No.	Page No.	*Change No.
2-332.1 – 2-332.6 Added.....	5	3-70	2	5-52	1
2-333 – 2-335	0	3-71 – 3-76	0	5-53	0
2-336.....	3	3-77 – 3-83	5	5-54 – 5-55.....	2
2-337.....	1	3-84	0	5-56.....	5
2-338 – 2-343/(2-344 Blank)....	0	3-85	5	5-56.1 – 5-56.4 Added	2
3-1 – 3-2	3	3-86	0	5-57	5
3-3 – 3-8	1	3-87 – 3-89	2	5-58.....	3
3-8.1 - 3-8.3 Added.....	1	3-90	0	5-59.....	5
3-8.4 Blank Added	1	3-91	3	5-60.....	1
3-9 – 3-10	1	3-92 – 3-93	0	5-61	0
3-11 – 3-17	0	3-94	2	5-62.....	1
3-18 – 3-19 Deleted	1	3-95	5	5-63.....	0
3-20 – 3-21	0	3-96	0	5-64 – 5-65.....	1
3-22.....	1	3-97 – 3-101	1	5-66	0
3-23 – 3-24	0	3-102 – 3-115	0	5-67	5
3-24.1 – 3-24.2 Added.....	1	3-116	1	5-68	1
3-25 – 3-27	1	3-117 – 3-128.....	0	5-69 – 5-70.....	2
3-28.....	0	3-129 – 3-133.....	3	5-70.1	2
3-29 – 3-32	1	3-134 – 3-136.....	1	5-70.2 Added.....	1
3-33.....	2	3-137	2	5-71 – 5-86.....	0
3-34 Deleted	1	3-138 – 3-156.....	0	6-1 – 6-2.....	5
3-35.....	5	3-157 – 3-162.....	3	6-3 – 6-11	0
3-36.....	1	4-1	5	6-12	5
3-37.....	0	4-2 – 4-6	0	6-12.1 Added.....	5
3-38.....	1	5-1	0	6-12.2 Blank	5
3-38.1 – 3-38.30 Added.....	3	5-2 – 5-4	1	6-13 – 6-23/6-24 Blank.....	0
3-38.31.....	5	5-5 – 5-6	2	A-1 – A-4 Blank	5
3-38.32.....	3	5-7 – 5-10	1	B-1	0
3-38.33.....	5	5-11	0	B-2 – B-3	5
3-38.34.....	3	5-12	5	B-4 – B-12	3
3-39.....	3	5-13 – 5-20	0	B-13.....	5
3-40.....	1	5-21	5	B-14 – B-18	3
3-40.1.....	3	5-22	3	B-4 – B-12	3
3-40.2.....	5	5-23 – 5-24	5	B-13.....	5
3-41 – 3-42 Blank	5	5-25	1	B-14 – B-18	3
3-43.....	0	5-26	3	C-1 – C-8.....	0
3-44.....	0	5-26.1 - 5-26.2 Blank Added ...	3	D-1.....	0
3-45 – 3-48	1	5-27	0	D-2 – D-3.....	5
3-49 – 3-50	0	5-28	1	D-4.....	2
3-50.1 – 3-50.2	1	5-29 – 5-30	2	D-5 - D-6 Blank.....	3
3-50.3 – 3-50.10 Added.....	3	5-30.1 - 5-20.2 Blank Added ...	2	E-1 – E-3	0
3-50.11 – 3-50.12	5	5-31 – 5-32	0	E-4.....	3
3-51.....	1	5-33	1	E-5.....	2
3-52 – 3-55	2	5-34	5	E-6 – E-7	0
3-56.....	5	5-34.1 – 5-34.2 Added.....	5	E-8.....	2
3-56.1 – 3-56.2 Added.....	5	5-35 – 5-36	5	E-9 – E-11	0
3-57 – 3-58	0	5-36.1 – 5-36.2.....	2	E-12.....	5
3-59.....	1	5-36.3 Added.....	2	E-12.1 – E12.2 Blank Added....	2
3-60.....	0	5-5-36.4 Blank Added.....	2	E-13.....	2
3-61 – 3-62	3	5-37	5	E-14 – E-16	0
3-62.1 - 2-62.2 Blank Added....	1	5-38 – 5-40	2	E-17 – E-18 Blank	5
3-63 – 3-66	0	5-41 – 5-44	0	F-1 – F-2.....	3
3-67 – 3-68	3	5-45	2	F-3.....	5
3-69.....	0	5-46 – 5-51	0	F-4.....	3

*Zero in this column indicates an original page

TM 9-2350-314-10

Page No.	*Change No.	Page No.	*Change No.	Page No.	*Change No.
F-5.....	5	I-33 – I-35	0		
F-6.....	3	I-36	2		
F-7 – F-8	0	I-37 – I-38 Blank	0		
F-9.....	3	J-1	3		
F-10	1	J-2 – J-8.....	1		
F-11	5	J.1-1	6		
F-12	0	J.1-2.....	4		
F-13 – F-15	3	J.1.-3 – J.1-8.....	4		
F-16 – F-17	5	K-1 – K-9/K-20 Blank.....	1		
F-18	3	K.1-1	5		
F-19	1	K.1-2	3		
F-20 – F-22	0	K.1-3	5		
F-23 – F-25	3	K.1-4 – K.1-7/K.1-8 Blank.....	3		
F-26 - F-27	0	L-1 – L-209 Added.....	4		
F-28	1	L-210 Blank Added	4		
F-29	0	M-1 – M-187	4		
F-30 – F-31	3	M-188	5		
F-32 Blank	3	M-189	4		
F.1-1 – F.1-30 Added.....	4	M-190	5		
F.2-1 – F.2-30 Added.....	6	M-191 - M-209 Added	4		
G-1	1	M-210 Blank Added	4		
G-2 – G-7/G-8 Blank.....	0	N-1 – N-261/N-262 blank	6		
G.1-1 – G.1-7 Added	3	O-1 – O-263/O-264 blank.....	6		
G.1-8 Blank.....	3	Index-1.....	6		
G.2-1 – G.2-7 Added	4	Index-2.....	5		
G.2-8 Blank Added	4	Index-3.....	3		
G.3-1 – G.3-7 Added	4	Index-4 – Index-5.....	5		
G.3-8 Blank Added	4	Index-6 – Index-11.....	3		
G.4-1 – G.4-4 Added	6	Index-12 – Index-13	5		
H-1	2	Index-14.....	3		
H-2	0	Index-15 – Index-19	4		
I-1 – I-3	5	Index 20 – Index-25.....	6		
I-4.....	0	DA Form 2028 Sample.....	5		
I-5.....	1	DA Form 2028 (Parts 1 and 2)			
I-6.....	5	(3)	5		
I-7.....	1	Measurement Page	0		
I-8 – I-10	0	Back Cover/PIN	6		
I-11.....	1				
I-12 – I-13	0				
I-14 – I-15	1				
I-16 – I-17	2				
I-18.....	0				
I-19.....	2				
I-20.....	3				
I-21 – I-22	2				
I-23.....	1				
I-24 – I-31	0				
I-32.....	2				

*Zero in this column indicates an original page

OPERATOR'S MANUAL
FOR
HOWITZER, MEDIUM, SELF-PROPELLED:
155MM, M109A6 (NSN 2350-01-305-0028) (EIC: 3FC)

REPORTING ERRORS AND RECOMMENDING IMPROVEMENTS

You can help improve this publication. If you find any errors, or if you would like to recommend any improvements to the procedures in this publication, please let us know. The preferred method is to submit your DA Form 2028 (Recommended Changes to Publications and Blank Forms) through the Internet, on the Army Electronic Product Support (AEPS) website. The Internet address is <https://aeps.ria.army.mil>. The DA Form 2028 is located under the Public Applications section in the AEPS Public Home Page. Fill out the form and click on SUBMIT. Using this form on the AEPS will enable us to respond quickly to your comments and better manage the DA Form 2028 program. You may also mail, e-mail, or fax your comments or DA Form 2028 directly to the U.S. Army TACOM Life Cycle Management Command. The postal mail address is U.S. Army TACOM Life Cycle Management Command, ATTN: AMSTA-LC-LMPP / TECH PUBS, 1 Rock Island Arsenal, Rock Island, IL 61299-7630. The e-mail address is tacomlcmc.daform2028@us.army.mil. The fax number is DSN 793-0726 or Commercial (309) 782-0726.

Distribution Statement A: Approved for public release; distribution is unlimited.

TABLE OF CONTENTS

	<u>Page</u>
HOW TO USE THIS MANUAL	iv
CHAPTER 1 - INTRODUCTION	1-1
Section I. General Information	1-1
Section II. Equipment Description	1-11
Section III. Principles of Operation	1-27
Section IV. Section Drill	1-40
CHAPTER 2 - OPERATING INSTRUCTIONS	2-1
Section I. Description and Use of Operator's Controls and Indicators	2-1
Section II. PREVENTIVE MAINTENANCE CHECKS AND SERVICES (PMCS)	2-13
Section III. Operation Under Usual Conditions	2-76
Section IV. Operation Under Unusual Conditions	2-332
CHAPTER 3 - MAINTENANCE INSTRUCTIONS	3-1
Section I. Lubrication Instructions	3-1
Section II. TROUBLESHOOTING PROCEDURES	3-1
Section III. Maintenance Procedures	3-62.1
CHAPTER 4 - MAINTENANCE OF AUXILIARY EQUIPMENT	4-1

CHAPTER 5 - AMMUNITION	5-1
Section I. General	5-1
Section II. Preparation for Firing	5-35
Section III. Maintenance	5-64
Section IV. Cannon-launched Guided M712 Projectile, Heat (Copperhead) and M823 Projectile (Training)	5-72
CHAPTER 6 - FOREIGN AMMUNITION (NATO)	6-1
Section I. General	6-1
Section II. Projectiles	6-2
Section III. Fuzes	6-12.1
Section IV. Propelling Charges	6-19
APPENDIX A - REFERENCES	A-1
APPENDIX B - COMPONENTS OF END ITEM (COEI) AND BASIC ISSUE ITEMS (BII) LISTS	B-1
APPENDIX C - ADDITIONAL AUTHORIZATION LIST	C-1
APPENDIX D - EXPENDABLE/DURABLE SUPPLIES AND MATERIALS LIST	D-1
APPENDIX E - STOWAGE AND SIGN GUIDE FOR COMPONENTS OF END ITEM, BASIC ISSUE ITEMS, AND APPLICABLE ADDITIONAL AUTHORIZATION LIST ITEMS	E-1
APPENDIX F - EMBEDDED TRAINER	F-1
APPENDIX F.1 - EMBEDDED TRAINER (VERSION 7 AND 7P SOFTWARE)	F.1-1
APPENDIX F.2 - EMBEDDED TRAINER (VERSION 2 AND 2P SOFTWARE)	F.2-1
APPENDIX G - PDIU WARNING MESSAGES AND RECONFIGURATION ADVISOR	G-1
APPENDIX G.1 - PDI WARNING MESSAGES AND RECONFIGURATION ADVISOR	G.1-1
APPENDIX G.2 - PDIU WARNING MESSAGES AND RECONFIGURATION ADVISOR (VERSION 7 SOFTWARE)	G.2-1
APPENDIX G.3 - PDI WARNING MESSAGES AND RECONFIGURATION ADVISOR (VERSION 7P SOFTWARE)	G.3-1
APPENDIX G.4 - PDIU/PDI WARNING MESSAGES (VERSION 2 AND 2P SOFTWARE)	G.4-1
APPENDIX H - CORROSION PREVENTION CONTROL (CPC)	H-1
APPENDIX I - LUBRICATION INSTRUCTIONS	I-1
APPENDIX J - AFCS/PDFCS/BCS SPHEROID AND DATUM TABLES	J-1
APPENDIX J.1 - AFCS/PDFCS/FDC SPHEROID AND DATUM TABLE FOR VERSION 7 AND 7P AND VERSION 2 AND 2P	J.1-1

APPENDIX K - M93 CHRONOGRAPH MUZZLE VELOCITY SYSTEM (MVS) K-1

APPENDIX K.1 - PDFCS MUZZLE VELOCITY SYSTEM (PMVS) K.1-1

APPENDIX L - OPERATION OF AUTOMATIC FIRE CONTROL SYSTEM (AFCS)
(VERSION 7 SOFTWARE) L-1

APPENDIX M - OPERATION OF PALADIN DIGITAL FIRE CONTROL SYSTEM (PDFCS)
(VERSION 7P SOFTWARE) M-1

APPENDIX N - OPERATION OF AUTOMATIC FIRE CONTROL SYSTEM (AFCS)
(VERSION 2 SOFTWARE) N-1

APPENDIX O - OPERATION OF PALADIN DIGITAL FIRE CONTROL SYSTEM (PDFCS)
(VERSION 2P SOFTWARE) O-1

ALPHABETICAL INDEX Index - 1

ALPHABETICAL INDEX (VERSION 7 AND 7P SOFTWARE) Index - 16

ALPHABETICAL INDEX (VERSION 2 AND 2P SOFTWARE) Index - 21

HOW TO USE THIS MANUAL

This operator's manual was designed to provide you with the information you will need to operate and maintain the M109A6 howitzer.

The information contained in this manual is presented in chapters and appendixes. Each chapter is divided into sections to cover the subject or operating procedures for the vehicle systems or components. Where references are made to tables, figures, paragraphs and appendixes, refer to those portions of the text.

To find information relating to a specific component or system:

- a. Determine the specific name or function of the component/system.
- b. Find the name or function in the Subject Index listing, located at the back of this manual.
- c. Refer to appropriate page(s) called out in the Subject Index listing.

To find information pertaining to a broader range of information (such as vehicle troubleshooting, preventive maintenance and vehicle descriptions):

- a. Identify the desired topic.
- b. Find the general topic in the Table of Contents or in the Front Cover Index (both are located at the front of this manual).
- c. Refer to the appropriate page(s) called out in the Table of Contents or identified by the front cover index bleeder page.

IMPORTANT

You must read and understand this manual BEFORE operating the M109A6 howitzer.

Maintenance

- a. Throughout this manual you will frequently see the phrase "notify unit maintenance." When you are instructed to notify unit maintenance, do exactly that; they have the tools and training to efficiently and correctly perform the next level of maintenance.
- b. Maintenance procedures are to be performed in the sequence shown in the text and illustrations. Step 1 must be performed before Step 2. Procedure A must be performed before Procedure B, and so on.
- c. Equipment illustrations use numbers to identify parts of the system/components.

HOW TO USE THIS MANUAL - CONTINUED

- d. Throughout this manual the words **WARNING**, **CAUTION**, and **NOTE** will appear. There is a reason for every one of them.

WARNING

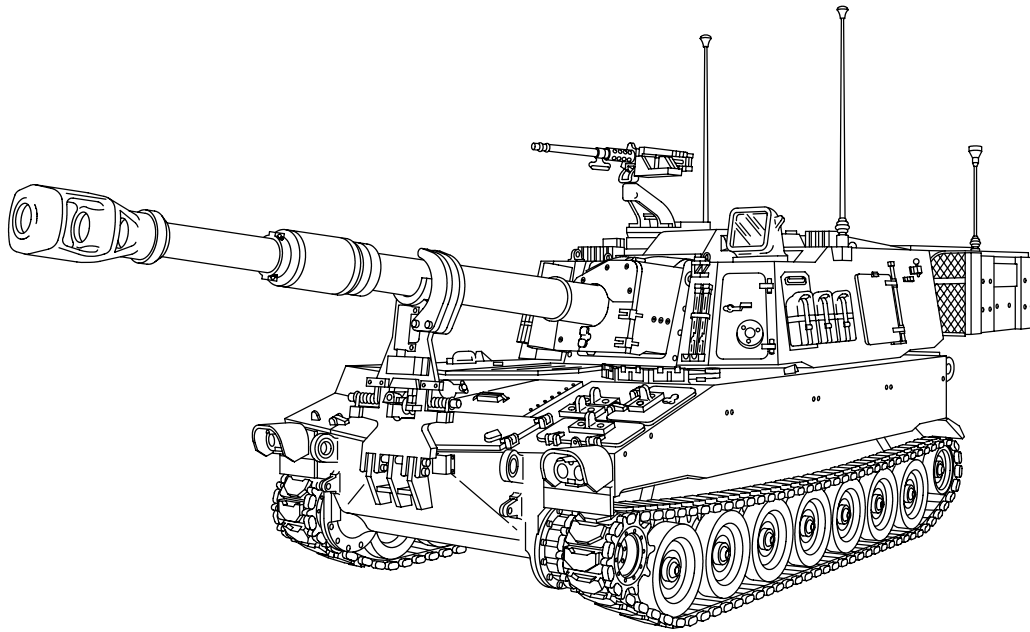
A Warning is used to alert the user to hazardous operating and maintenance procedures, practices, conditions, statements, etc. that may result in injury to or **DEATH** of personnel if not strictly observed.

CAUTION

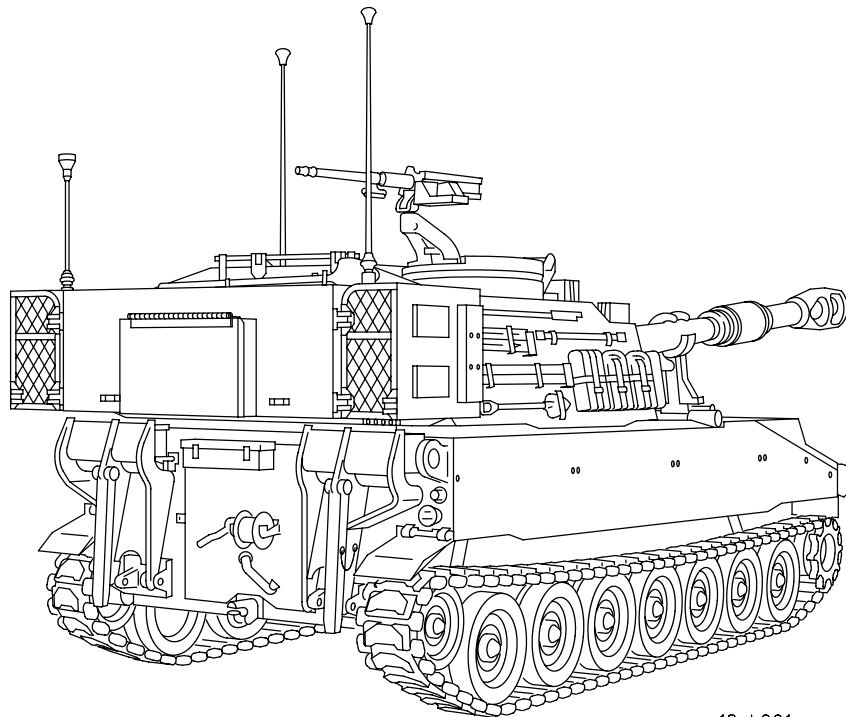
A Caution is used to alert the user to hazardous operating or maintenance procedures, practices, conditions, statements, etc. that may result in damage to or destruction of equipment or of mission effectiveness if not strictly observed.

NOTE

A Note is used to inform the user of essential information which is of special interest or importance or will aid the user in performing a job.



Left Front View



Right Rear View

18ph001m

Howitzer, Medium, Self-Propelled: 155MM, M109A6

CHAPTER 1

INTRODUCTION

Section I. GENERAL INFORMATION

1-1 SCOPE.

- a. Type of Manual: Operator's Manual
- b. Equipment Name and Model Number: Howitzer, Medium, Self-Propelled: 155MM, M109A6.
- c. Purpose of Equipment: To provide artillery fire in support of ground-gaining troops.
- d. Special Inclusions: This manual includes a special section on Section Drills.
- e. This manual has a companion document with TM number followed by "-HR" (which stands for Hand Receipt). The TM 9-2350-314-10-HR consists of preprinted hand receipts (DA Form 2062) that list end item related equipment (i.e., COEI, BII, and AAL) you must account for. As an aid to property accountability, additional -HR manuals may be requisitioned from the following source in accordance with procedures in DA PAM 25-30:

The US Army Adjutant General Publications Center
2800 Eastern Boulevard
Baltimore, MD 21220-2896

1-2 MAINTENANCE FORMS AND PROCEDURES.

Department of the Army forms and procedures used for equipment maintenance will be those prescribed by DA PAM 750-8, The Army Maintenance Management Systems (TAMMS) as contained in Maintenance Management Update.

1-3 AMMUNITION.

1-3.1 Injury/Damage.

Accidents involving injury to personnel or damage to materiel will be reported in accordance with AR 385-40. Explosives and ammunition malfunctions will be reported in accordance with AR 75-1.

1-3.2 Safety, Care, and Handling.

For safety, care and handling of ammunition refer to paragraphs 5-16 and 5-17.

1-4 CORROSION PREVENTION AND CONTROL (CPC).

For CPC instructions, refer to Appendix H.

1-5 DESTRUCTION OF ARMY MATERIEL TO PREVENT ENEMY USE.

Destruction of the vehicle, armament, and equipment when subject to capture or abandonment in a combat zone, will be undertaken by the using army only when the unit commander decides such action is necessary in accordance with orders of, or policy established by, the Army commander.

Refer to TM 750-244-6 for information on destruction of all mechanical equipment. In general, destruction of essential parts, followed by burning, will usually be sufficient to render the vehicle, armament, and equipment useless. Time is usually critical.

Material must be damaged so that it cannot be restored to usable condition by either repair or cannibalization. If a lack of time or personnel prevents destruction of all parts, give priority to destruction of parts hardest to replace. It is important the same parts be destroyed on all units to prevent construction of a complete unit from several damaged ones.

All items of sighting and fire control instruments and equipment, especially telescopes, gunner's quadrants, and binoculars, are costly and difficult to replace. They should be conserved whenever possible. If you cannot carry them with you, destroy them by smashing with your sledge hammer, pick, or mattock. Throw the pieces in all directions.

When time is short, a method of destroying the equipment with materials at hand is as follows:

- a. Retrieve or smash sighting and fire control equipment.
- b. Load cannon with projectile and full power charge. Attach a 50-ft (15.2 M) or longer lanyard to firing mechanism. Disconnect all recoil cylinders and fire the weapon.
- c. Bend the end of the recoil system rods with a sledge hammer.

A second method is to close the breechblock and toss several thermite grenades down the tube. Elevate the tube so that the grenades will fall against the breechblock. This will melt the breech and the powder chamber, causing them to fuse together.

1-6 REPORTING EQUIPMENT IMPROVEMENTS RECOMMENDATIONS (EIRs).

If your howitzer needs improvement, let us know. Send us an EIR. You, the user, are the only one who can tell us what you don't like about your equipment. Let us know why you don't like the design or performance. Put it on an SF 368 (Product Quality Deficiency Report). Mail it to Department of the Army, U.S. Army Tank-automotive and Armaments Command, ATTN: AMSTA-LC-LPIT, TACOM-RI, 1 Rock Island Arsenal, Rock Island, IL 61299-7630. We will send you a reply.

1-7 WARRANTY INFORMATION.

The M109A6 is not warranted. Refer to TB 9-2350-314-20-2-3 for warranty information pertaining to the Paladin Digital Fire Control System (PDFCS).

1-8 NOMENCLATURE CROSS-REFERENCE LIST.

Nomenclature in this manual was chosen in accordance with the terms used for provisioning. A few tools and cab components are referred to by more common names. In many cases, the more common name is a shorter name for the same component.

<u>OFFICIAL PROVISIONING NOMENCLATURE</u>	<u>MORE COMMON NAME</u>
Ammunition	Ammo
Cab ammunition rack	Ammo rack
Cab assembly baskets	Stowage baskets
Caliber .50 Machine Gun	.50 cal.
Computer, Digital (AFCS XXI)	AFCS Computer Unit (ACU)
Computer, Digital (PDFCS)	PDFCS Computer Unit (PDCU)
Computer, Stabilization Data	Dynamic Reference Unit Hybrid
Electrical lead (braided copper wire)	Ground strap
Gage assembly	Sight gage
Howitzer M182A1 Mount	M182A1 mount
Infinity aiming reference collimator M1A1 or M1A2	M1A1/M1A2 collimator
Intercommunications power harness	Intercom power harness
M284 cannon assembly	Cannon
Machine key	Torque key
Nonelectrical wire	Lockwire, safety wire
Rod Assembly	Dipstick
Radar Chronograph Antenna Mounting bracket	M93 MVS

1-8 NOMENCLATURE CROSS-REFERENCE LIST - CONTINUED

<u>OFFICIAL PROVISIONING NOMENCLATURE</u>	<u>MORE COMMON NAME</u>
Resistor, variable	Rheostat
Seat cushion	Backrest
Seat, individual	Crew seat
Sensor, vehicle	Vehicle Motion Sensor
Socket head screw key	Hex key
Spindle assembly	Obturator group or bump spindle
Telescope mount M145A1	Mount M145A1
Tube assembly	Cannon tube
155MM medium self-propelled howitzer M109A6	Howitzer (Modified 155MM)
Viewer-infrared	Night viewer

1-9 LIST OF ABBREVIATIONS.

AAL	Additional Authorized List
ACK	Acknowledge
ACTL	Actual
ACTL DEFL	Actual Deflection
ACU	AFCS Computer Unit
ADAM	Area Denial Artillery Munition
ADS	Analog to Digital Servo
AF or AOF	Azimuth of Fire
AFCS	Automatic Fire Control System
ALN	Alignment
APS	Air Particle Separator
ARV	Ammunition Resupply Vehicle
ASL	Authorized Stockage List
ASP	Ammunition Supply Point
ATC	Ammunition Team Chief
AVD	Alternate Vehicle Driver
AZ TACH	Azimuth Tachometer
BCS	Battery Computer System
BII	Basic Issue Item

1-9 LIST OF ABBREVIATIONS - CONTINUED

BIT	Built-In-Test
BITE	Built-In-Test Equipment
°C	Degrees Celsius
CCW	Counterclockwise
CEOI	Communications Electronics Operating Instructions
CHG	Charge
CLR	Clear
CM	Centimeter
CMD	Command
CMD DEFL	Command Deflection
CLGP	Cannon-Launched Guided Projectile
COEI	Component of End Item
COMSEC	Communications Security
COS	Chief of Section
CPC	Corrosion Prevention and Control
CPCI	Computer Program Configuration Item
CS	Center Sector
CTA	Common Table of Allowances
CW	Clockwise
DAP	Distant Aiming Point
DAGR	Defense Advanced GPS (Global Positioning System) Receiver
DC	Danger Close
DCA	Diagnostic Connector Assembly
DCU	Display Control Unit
DEFL	Deflection
DESTN	Destination
DGRD	Degraded
DPICM	Dual Purpose Improved Conventional Munitions
DRU	Dynamic Reference Unit
DRUH	Dynamic Reference Unit Hybrid
DU	Display Unit
EFC	Equivalent Full Charge
EIR	Equipment Improvement Recommendation
EL Panel	Electroluminescent Panel
EL Tach	Elevation Tachometer
EMB TNG	Embedded Training
EMI/EMC	Electromagnetic Interference/Compatibility
EMR	Electromagnetic Radiation

1-9 LIST OF ABBREVIATIONS - CONTINUED

ENT	Enter
EOD	Explosive Ordnance Disposal
EOL	End of Orienting Line
EOM	End of Mission
EPIAFS	Enhanced Portable Inductive Artillery Fuze Setter
ET	Embedded Training
°F	Degrees Fahrenheit
FDC	Fire Direction Center
FES	Fire Extinguishing System
FFCS	Full Function Crew Station
FPF	Final Protective Fire
FPF/PRI	Final Protective Fire/Priority
GNR	Gunner
GPS	Global Positioning System
HD	Howitzer Driver
HE	High-Explosive
HEAT	High Explosive Anti-Tank
HGBV	Hot Gas Bypass Valve
HPCOS	High Pressure Cutout Switch
HPCV	Head Pressure Control Valve
HR	Hand Receipt
ICM	Improved Conventional Munitions
IFS	Inductive Fuze Setter
INP	Input
KG	Kilogram
KMPH	Kilometers Per Hour
L	Liter
LCD	Liquid Crystal Display
LED	Light Emitting Diode
LHR	Low Heat Rejection
LPCOS	Low Pressure Cutout Switch
LPFS	Lead Particulate Filter System
LPRS	Loose Projectile Restraint System
LRSO	Local Radiological Safety Officer
LRU	Line Replaceable Unit
LS	Left Sector
M	Meter
M	Mils
MACS	Modular Artillery Charge System
MAPS	Modular Azimuth Positioning System
MAX	Maximum
MCS	Microclimate Conditioning System
MCSR	MCS Relay Panel

1-9 LIST OF ABBREVIATIONS - CONTINUED

MCSVIS	Master Control Station Vehicle Intercom System
MHZ	Megahertz
MIN	Minimum
MOPP	Mission Oriented Protective Posture
MOUT	Military Operations in Urban Terrain
MOVE ORD	Move Order
M/S	Meters Per Second
MT	Mechanical Time
MTOE	Modified Table of Organization and Equipment
MTSQ	Mechanical Time Super Quick
MWRH	Mounted Water Ration Heater
MVS	Muzzle Velocity Sensor
MVV	Muzzle Velocity Variance
NAV	Navigation
NBC	Nuclear, Biological, Chemical
NVM	Non-volatile Memory
OL	Orienting Line
OS	Orienting Station
PANTEL	Panoramic Telescope
PCU	Power Conditioner Unit (AFCS)
PCU-2	Power Conditioner Unit-2 (PDFCS)
PD	Point Detonating
PDI	Prognostic/Diagnostic Interface
PDIU	Prognostic/Diagnostic Interface Unit
PDCU	Paladin Digital Computer Unit
PDFCS	Paladin Digital Fire Control System
PDU	PDFCS Display Unit
PIA	Platform Interface Adapter
PIK	Platform Interface Kit
PK	Pack
PLGR	Precision Lightweight GPS (Global Positioning System) Receiver
PLL	Prescribed Load List
PMCS	Preventive Maintenance Checks and Services
PMVS	Paladin Muzzle Velocity System
POC	Platoon Operation Center
POSN	Position
PRI	Priority
PROP	Propellant
PRV	Pressure Relief Valve
PSIAD	Paladin Serial Interface Adapter Device
PSI	Pounds Per Square Inch
PT	Participating
PUCT	Power Up Confidence Test
QE	Quadrant Elevation or Quadrant Entry
RAAM	Remote Anti-Armor Mine
RAP	Rocket Assisted Projectile

1-9 LIST OF ABBREVIATIONS - CONTINUED

RCVD MSG	Received Message
RFI	Radio Frequency Interface
RNDS	Rounds
RNG	Range
RPM	Revolutions Per Minute
RS	Right Sector
S&A	Safe and Arming
■ SAASM	Selective Availability Anti-Spoofing Module
SD	Section Driver
SE	Support Equipment
SPH	Self-Propelled Howitzer
SINCGARS	Single Channel Ground and Airborne Radio System
SQ	Super Quick
SRU	Shop Replaceable Unit
STE	Simplified Test Equipment
STE/ICE-R	Simplified Test Equipment for Internal Combustion Engines Reprogrammable
TEV	Thermostatic Expansion Valve
TOE	Table of Organization and Equipment
TOT	Time On Target
TR	Training
TSOP	Tactical Standard Operating Procedures
TTS	Tube Temperature Sensor (Main Gun Tube)
UTM	Universal Transverse Mercator
VEH PWR	Vehicle Power
VEL	Velocity
VFPS	Ventilated Face Piece System
VLV	Volley
VIS	Vehicular Intercommunications System
VMS	Vehicle Motion Sensor
VMS Modem	Vehicle Motion Sensor Modem
VT	Variable Time
WARN MSG	Warning Message
WC	Weapon Controller
WP	White Phosphorus
ZUPT	Zero Velocity Update

1-10 GLOSSARY.

ALPHANUMERIC	Consisting of alphabetical and numerical symbols in sequence.
ANGULAR	Measured by an angle or degree of an arc.

1-10 GLOSSARY - CONTINUED

BINARY	Characterized by or composed of two different parts.
BOOT DONGLE	A device required for PDFCS to boot without a keyboard. (The boot dongle will be removed in vehicles equipped with PIK.)
CELSIUS	A temperature scale that registers the freezing point of water as 0°C and the boiling point as 100°C under normal atmospheric pressure.
CENTRIFUGALLY	Moving or directed away from center or axis.
CHRONOGRAPH	An instrument that registers or graphically records time intervals such as the duration of an event.
COLLIMATION	To make parallel.
CURSOR	A manually controlled bright figure on a computer display to indicate a character to be revised or a position where data is to be entered
DEGRADED	Considered as below a normal standard.
ELECTROLUMINESCENT	The direct conversion of electric energy to light by a solid phosphor subjected to an alternating electric field.
FAHRENHEIT	A temperature scale that registers the freezing point of water as 32°F and the boiling point as 212°F under standard atmospheric pressure.
HERTZ	A unit of frequency equal to one cycle per second.
INITIALIZED	To begin a process or action.
INTERFACE	The place at which independent systems meet and act on or communicate with each other.
METEOROLOGICAL	The science dealing with the weather conditions.
MICROCLIMATE	The climate of a specific place within an area, contrasted with the climate of the area as a whole.
MODEM	A device that converts data to a form that can be transferred.
MODULAR	Constructed with standardized units or dimensions for flexible use.
NONVOLATILE	Not explosive.
OBTURATOR	A device for sealing a gun breech to prevent gas from escaping on firing.
PARALLAX	The apparent displacement or the difference in apparent direction of an object as seen from different points not on a straight line with the object.
PARTICULATES	Formed of separate particles.

1-10 GLOSSARY - CONTINUED

PROGNOSTIC	A sign or indication of some future happening.
PROPELLANT	Something that propels or provides thrust.
SHEAF	A pattern of bursts on a target.
SPHEROID	A survey of a particular portion of the earth's surface.
SYNCHRONIZATION	To cause to operate with exact coincidence in time and rate.
TOXIC	Harmful, destructive or deadly.
TRANSIENCE	A temporary oscillation that occurs in circuits because of a sudden change of voltage or load.
VISCOSITY	The degree to which fluid resists flow under applied force.

Section II. EQUIPMENT DESCRIPTION

1-11 EQUIPMENT CHARACTERISTICS, CAPABILITIES, AND FEATURES.

1-11.1 Characteristics.

The medium self-propelled howitzer is a full-tracked, armored combat support, internally loaded, air transportable, diesel-powered vehicle with excellent ground mobility. The primary armament includes a 155MM M284 cannon and M182A1 mount, with firing accomplished by an M49 firing mechanism which uses cartridge type primers. The vehicle carries a crew of four: chief of section, gunner, cannoneer, and driver.

1-11.2 Capabilities and Features.

- Max Speed 38 MPH (61 KMPH)
- Max Range 186 Miles (299 KM)
- 155MM, M284 Cannon
- M182A1 Mount
- 650 Amp Alternator
- Starter Protection Circuits
- Final Drive Quick-Disconnects
- Independent Torsion Bars
- Remotely Operated Travel Lock
- Microclimate Conditioning System
- Prognostics/Diagnostics Capability (PDIU/PDI/STE/ICE-R)
- On-Board Ballistic Calculation (AFCS/PDFCS)
- On-Board Communications (Digital and Voice)
- Compartmentalized Hydraulic Components
- Desert Cooling
- MAPS (Modular Azimuth Positioning System)
- Lead Particulate Filter and Ventilation System
- Higher Power Transmission
- Low Heat Rejection Engine

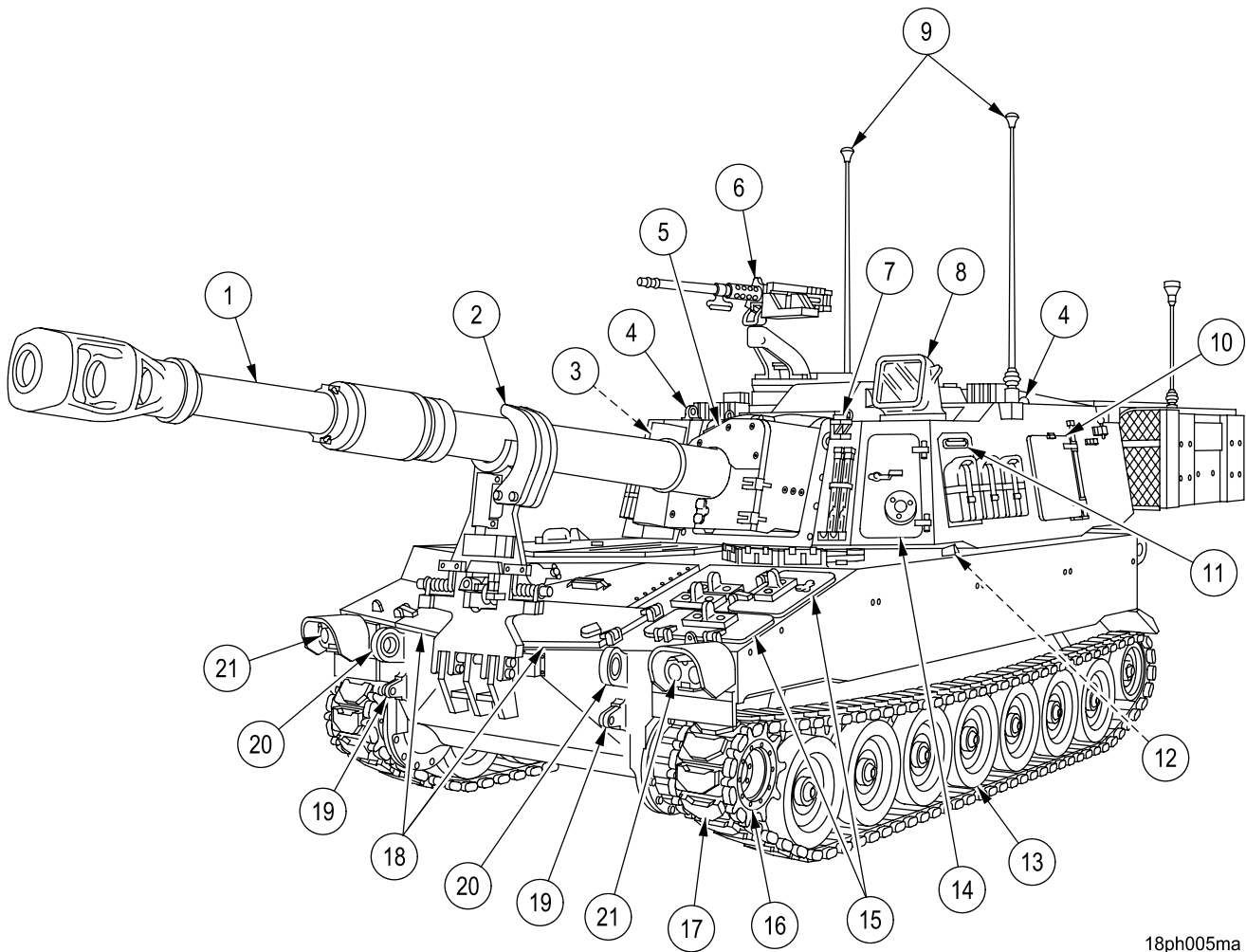
1-12 LOCATION AND DESCRIPTION OF MAJOR COMPONENTS.

1-12.1 Exterior Components

1	CANNON M284-155MM	Provides main armament for howitzer.
2	GUN TUBE TRAVEL LOCK	Provides support for gun tube during travel.
3	REPLENISHER	Allows for change in quantity of oil required by the recoil cylinders and for expansion and contraction of hydraulic fluid due to temperature changes.
4	CAB LIFTING BRACKETS	Two front lifting brackets and two rear lifting eyes provide connecting points for lifting cab.
5	BALLISTIC SHIELD	Provides protection for variable recoil and recuperator from small arms fire and shrapnel.
6	MACHINE GUN .50 CAL	Provides for air and troop defense. Refer to TM 9-1005-213-10 for description.
7	M140/M140A1 MOUNTING BRACKET	Provides mounting for the M140/M140A1 alignment device during boresighting of the M117A2 Pantel.
8	BALLISTIC COVER	Protects panoramic telescope (Pantel) against shock during firing and against inclement weather.
9	ANTENNAS	Two antennas receive and transmit radio signals.
■ 9.1	DELETED	
10	CAB SIDE DOOR	Provides emergency exit.
11	HYDRAULIC COMPARTMENT ACCESS COVER	Permits access to hydraulic compartment.
12	EXTERNAL FIRE EXTINGUISHER T-HANDLE	Actuates engine compartment fire extinguisher from outside the howitzer.
13	ROADWHEELS	Seven sets of roadwheels on each side provide support and guides for the track.
14	HYDRAULIC COMPARTMENT ACCESS DOOR	Permits access to hydraulic compartment.
15	BATTERY ACCESS DOORS	Two doors provide access to batteries.
16	DRIVE SPROCKETS	Drive sprockets, two each side, transfer power from the transmission and final drive to track.
17	TRACK ASSEMBLY	Two track assemblies provide mobility for the vehicle.
18	TRANSMISSION ACCESS DOORS	Two doors provide access to front of powerpack.
19	FRONT TOWING EYES	Two front towing eyes provide connection points for towing howitzer.
20	FRONT LIFTING EYES	Two lifting eyes provide connection points for lifting howitzer.
21	HEADLIGHTS	Two headlights provide light for night driving and blackout conditions.

1-12 LOCATION AND DESCRIPTION OF MAJOR COMPONENTS - CONTINUED

1-12.1 Exterior Components - Continued



18ph005ma

NOTE: Item 9.1 deleted.

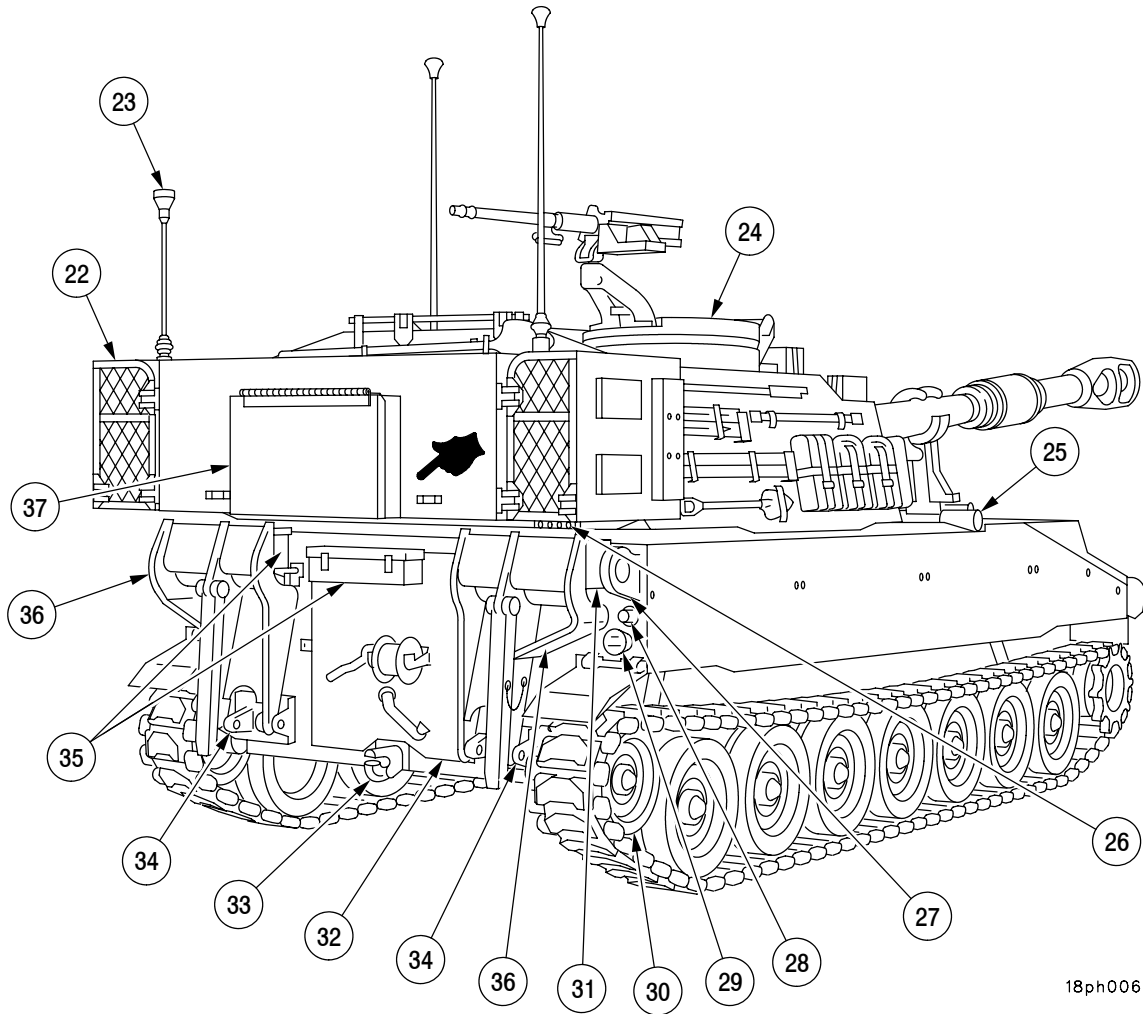
1-12 LOCATION AND DESCRIPTION OF MAJOR COMPONENTS - CONTINUED

1-12.1 Exterior Components - Continued

22	STOWAGE BASKETS	Two baskets provide stowage for miscellaneous items.
23	PLGR ANTENNA	The Precision Lightweight GPS (Global Positioning System) Receiver (PLGR) antenna is used to support the Satellite Signals Navigation Set (AN/PSN-11)
	OR	
	DAGR ANTENNA	The Defense Advanced GPS (Global Positioning System) Receiver antenna is used to support the Satellite Signals Navigation Set (AN/PSN-13).
24	COMMANDER'S CUPOLA	Provides access to machine gun. Rotates manually 6400 mils.
25	ENGINE EXHAUST OUTLET	Provides outlet for engine exhaust.
26	COMMUNICATIONS TERMINALS	Provide connecting points for wire line communications.
27	REAR LIFTING EYES	Two rear lifting eyes provide connection points for lifting howitzer.
28	EXTERNAL POWER RECEPTACLE	NATO type power receptacle provides circuitry to receive power from an outside source.
29	TAILLIGHT/STOPLIGHT	Two taillight units provide rear brake and taillights for night driving under normal and blackout (infrared) conditions.
30	IDLER WHEELS	Idler wheels, two each side, maintain track tension.
31	EXTERNAL INTERCOM BOX	Provides communications capabilities outside of howitzer.
32	CREW COMPARTMENT DOOR	Provides access to and from crew compartment.
33	TOWING PINTLE	Provides connecting point for towing howitzer.
34	REAR TOWING EYES	Two rear towing eyes provide connection points for howitzer towing.
35	GRENADE BOXES	Two boxes provide stowage for grenades.
36	SPADES	Two spades provide stability when firing off of loose, sandy, or muddy soils. Also used when mated with Ammunition Resupply Vehicle.
37	ROCKET LAUNCHER BOX	Provides stowage for three AT4 rocket launchers.

1-12 LOCATION AND DESCRIPTION OF MAJOR COMPONENTS - CONTINUED

1-12.1 Exterior Components - Continued

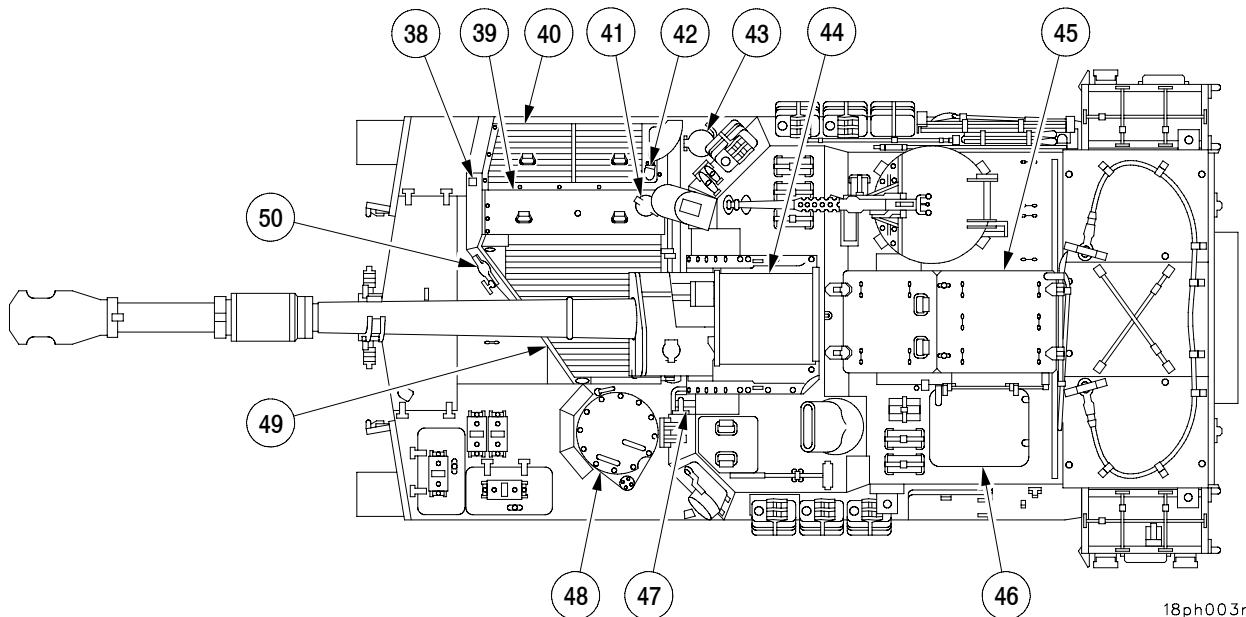


18ph006m

1-12 LOCATION AND DESCRIPTION OF MAJOR COMPONENTS - CONTINUED

1-12.1 Exterior Components - Continued

- | | | |
|----|--|---|
| 38 | BILGE PUMP DISCHARGE | Outlet for fluids when bilge pump is operated. |
| 39 | RADIATOR FAN ACCESS COVER | Permits access to radiator fans. |
| 40 | COOLING AIR EXHAUST GRILLE | Discharge location for engine cooling air. |
| 41 | RADIATOR CAP ACCESS COVER | Provides access to engine radiator cap. |
| 42 | PERSONNEL HEATER EXHAUST | Outlet for personnel heater exhaust. |
| 43 | FUEL FILL ACCESS DOOR | Permits access for filling engine fuel tanks. |
| 44 | WEATHER COVER | Protects cannon rotor shield. |
| 45 | MICROCLIMATE CONDITIONING SYSTEM | Provides a decontaminated, conditioned air supply for crewmen operating under NBC conditions. (Refer to para 1-12.5 for NBC system components.) |
| 46 | GUNNER'S ESCAPE HATCH | Provides access to and from crew compartment. |
| 47 | VENTILATION INTAKE/EXHAUST DUCT GRILLE | Permits outside air to lead particulate filter system and exhausts smoke from crew compartment. |
| 48 | DRIVER'S HATCH | Provides access to and from driver's compartment. |
| 49 | ENGINE AIR INTAKE GRILLE | Permits ventilation and access to engine. |
| 50 | ENGINE OIL LEVEL COVER | Provides access for checking engine oil level. |

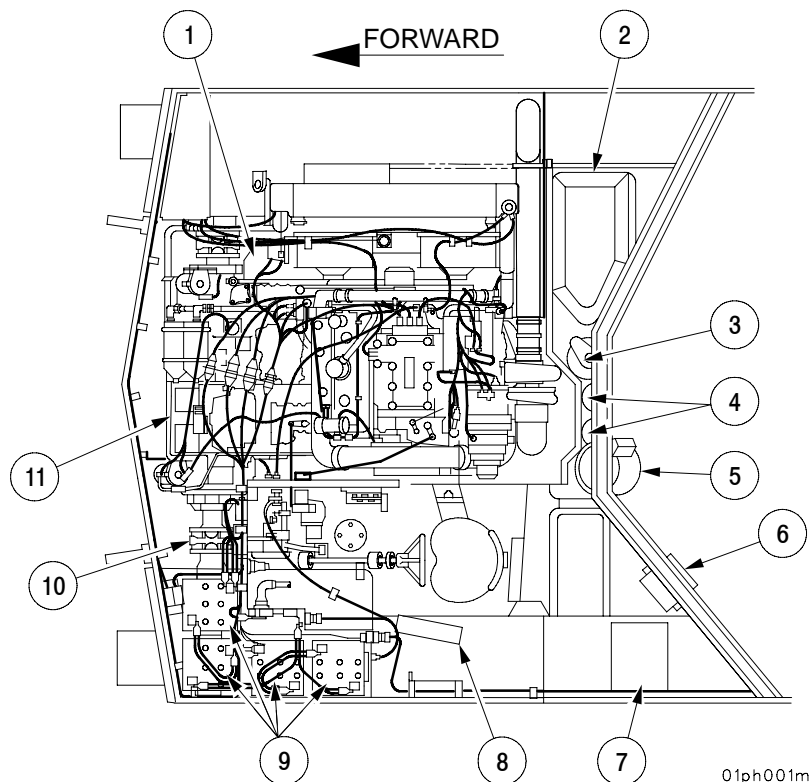


18ph003m

1-12 LOCATION AND DESCRIPTION OF MAJOR COMPONENTS - CONTINUED

1-12.2 Hull Components.

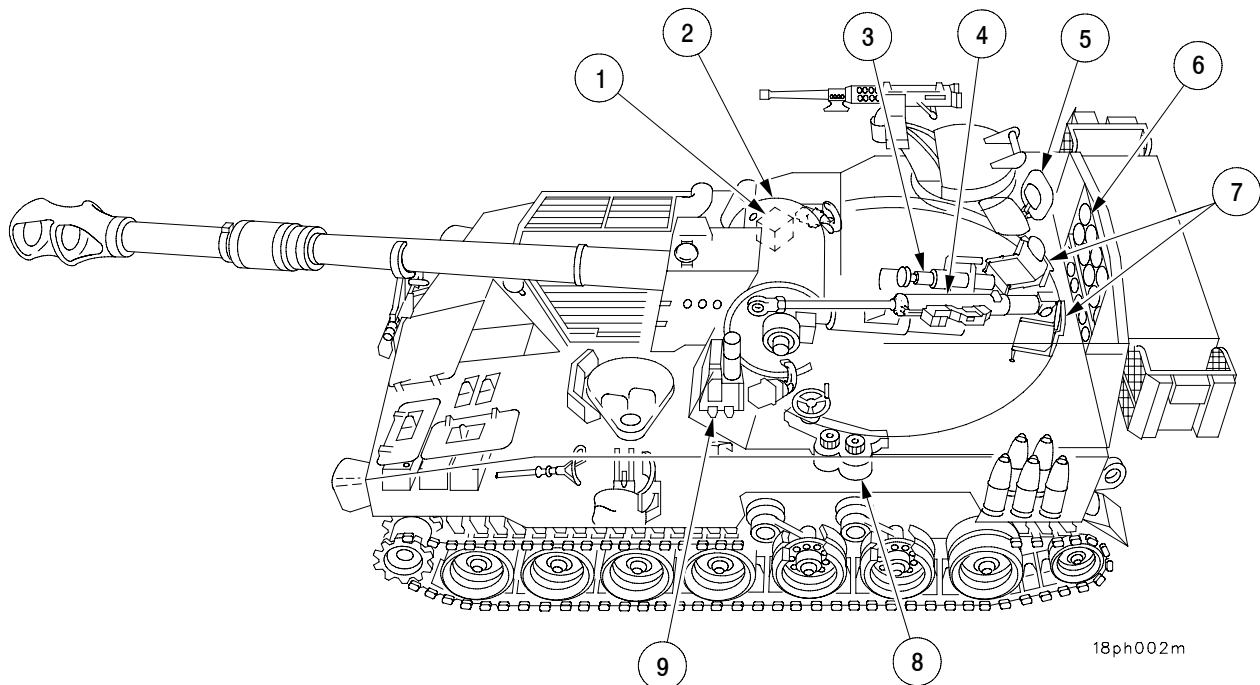
- | | | |
|----|--|--|
| 1 | VEHICLE MOTION SENSOR (VMS) | Provides navigation information to AFCS/PDFCS. |
| 2 | AIR CLEANER | Filters out debris from air entering air induction system. |
| 3 | PERSONNEL HEATER | Provides heat to crew during inclement weather. |
| 4 | FIRE EXTINGUISHER BOTTLES | Supplies fire extinguishing agents to the engine compartment through distribution lines and nozzles. |
| 5 | VENTILATION FAN ASSEMBLY | Exhausts smoke from crew compartment through the intake/exhaust duct grille. |
| 6 | ACCESSORY CONTROL BOX | Controls operation of personnel heater, ventilation fans, and lead filters. |
| 7 | LEAD PARTICULATE FILTER AND VENTILATION SYSTEM | Filters lead from air entering crew compartment through the ventilation system (refer to para 1-12.6 for lead particulate filter system components). |
| 8 | FIXED AND PORTABLE INSTRUMENT PANELS | Control starting and shutdown of engine, lights, and auxiliary systems. |
| 9 | BATTERY | Four batteries provide 24-volt electrical system. |
| 10 | FINAL DRIVE QUICK-DISCONNECT COUPLING | Allows quick removal of final drive coupling for towing and maintenance. |
| 11 | POWERPACK | Includes diesel engine, transfer, transmission, exhaust system, and cooling system. |



1-12 LOCATION AND DESCRIPTION OF MAJOR COMPONENTS - CONTINUED

1-12.3 Cab Components.

- | | | |
|---|---------------------------------|---|
| 1 | MOUNTED WATER RATION HEATER | Provides hot water for crew personnel. (Refer to TM 10-7310-241-12&P for operation and maintenance of heater.) |
| 2 | MOUNT M182A1 AND CANNON M284 | Consists of recoil mechanism, mount, gun shield. Pivots in equilibrated elevation on mount trunnions. 155MM cannon with breechblock and firing mechanism. (Refer to para 1-12.7 for cannon and mount components.) |
| 3 | LOADER RAMMER | For loading and ramming projectiles into gun tube. (Refer to para 1-12.8 for loader rammer components.) |
| 4 | EQUILIBRATED ELEVATING CYLINDER | Provides hydraulic balance to offset the weight of the cannon and provides for elevation of the cannon. |
| 5 | COMMANDER'S SEAT | Provides a place for the commander to sit. |
| 6 | BUSTLE RACK | Provides stowage for 44 propelling charge canisters and six fuzed projectiles. |
| 7 | CREW SEATS | Two seats provide a place for the crew to sit. |
| 8 | TRAVERSING MECHANISM | Provides full 6400 mil traversing capability with either power or manual system. |
| 9 | HYDRAULIC POWERPACK | Provides hydraulic power to operate traverse, elevation, and rammer. (Refer to para 1-12.9 for hydraulic system components.) |

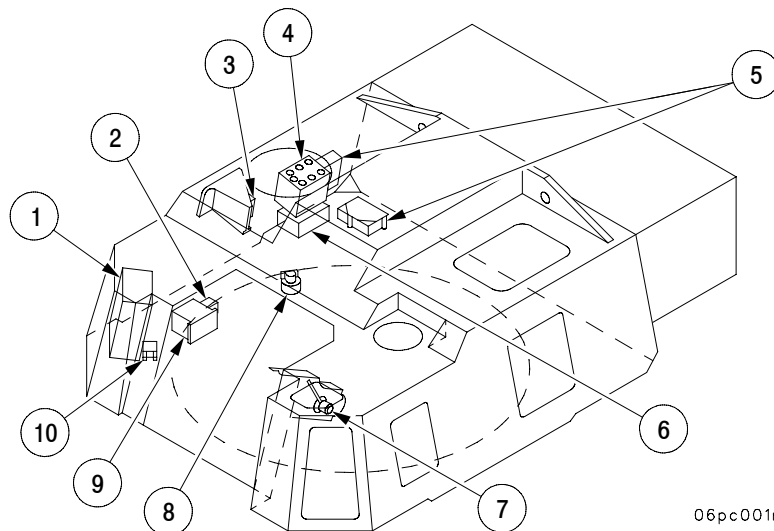


18ph002m

1-12 LOCATION AND DESCRIPTION OF MAJOR COMPONENTS - CONTINUED

1-12.4 AFCS, PDIU, and Cab Navigation System.

- | | | |
|----|---|---|
| 1 | AFCS COMPUTER UNIT (ACU) | Performs ballistic computations and weapon control, provides the interface between the AFCS computer and the radios, and stores data which is displayed/entered on DU. |
| 2 | PLGR | The Precision Lightweight GPS (Global Positioning System) Receiver is a space-based navigation and timing system. The AN/PSN-11 provides highly accurate, continuous, all weather, 3-dimensional (3D) position, velocity, and time. To better understand operating the equipment and for maintenance refer to TM 11-5825-291-13. |
| | OR
DAGR | The Defense Advanced GPS (Global Positioning System) Receiver replaces PLGR in PDFCS equipped vehicles. The DAGR enhanced features include anti-jam performance, map functionality, enhanced targeting and Selective Availability Anti-Spoofing Module (SAASM) chipset technology. To better understand operating the equipment and for maintenance, refer to TM 11-5820-1172-13. |
| 3 | DISPLAY UNIT (DU) | Functions as primary operator interface and system control mechanism. |
| 4 | PROGNOSTIC/DIAGNOSTIC INTERFACE UNIT (PDIU) | Aids in prediction and determination of equipment failure. |
| 5 | BACK-UP BATTERY BOXES | Two back-up batteries provide electrical power to support AFCS during power dropout or when vehicle input falls below 20 volts. |
| 6 | POWER CONDITIONER UNIT (PCU) | The PCU is an electrical support system for the AFCS. |
| 7 | ELEVATION TACHOMETER | Provides elevation position information to the AFCS. |
| 8 | AZIMUTH TACHOMETER | Provides azimuth position information on cannon to the AFCS. |
| 9 | DYNAMIC REFERENCE UNIT HYBRID (DRUH) | Provides navigation information to the AFCS. |
| 10 | VMS MODEMS | Transmit electronic signals/data from vehicle motion sensor (VMS) by way of hull VMS modem. |



06pc001m

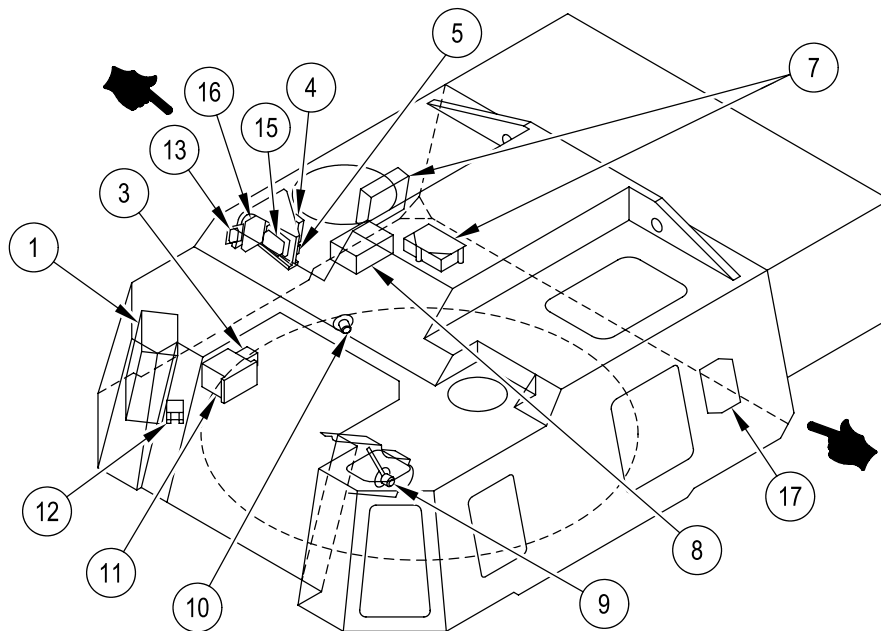
1-12 LOCATION AND DESCRIPTION OF MAJOR COMPONENTS - CONTINUED

1-12.4.1 PDFCS, and Cab Navigation System.

- | | | |
|----|--------------------------------------|---|
| 1 | PALADIN DIGITAL COMPUTER UNIT (PDCU) | Performs ballistic computations and weapon control, provides the interface between the PDFCS computer and the radios, and stores data which is displayed on the PDU when entered on the keypad. |
| 2 | DELETED | |
| 3 | DEFENSE ADVANCED GPS RECEIVER (DAGR) | The Defense Advanced GPS (Global Positioning System) receiver replaces PLGR in PDFCS equipped vehicles. The DAGR enhanced features include anti-jam performance, map functionality, enhanced targeting and Selective Availability Anti-Spoofing Module chipset technology. To better understand operating the equipment and for maintenance, refer to TM 11-5820-1172-13. |
| 4 | PDFCS DISPLAY UNIT (PDU) | Functions as operator interface. |
| 5 | PDFCS KEYPAD | Used specifically for the PDFCS, contains sealed membrane KEYPAD buttons with switch guards protecting power, training, and gun on/off switches. |
| 6 | DELETED | |
| 7 | BACK-UP BATTERY BOXES | Two back-up batteries provide electrical power to support PDFCS during power dropout or when vehicle input falls below 20 volts. |
| 8 | POWER CONDITIONER UNIT - 2 | The PCU-2 is an electrical support system for the PDFCS. |
| 9 | ELEVATION TACHOMETER | The Elevation Tachometer is not used with the PDFCS and has been removed, and replaced with a shorting plug. |
| 10 | AZIMUTH TACHOMETER | The Azimuth Tachometer is not used with the PDFCS and has been removed, and replaced with a shorting plug. |
| 11 | DYNAMIC REFERENCE UNIT HYBRID (DRUH) | Provides navigation information to the PDFCS. |

1-12 LOCATION AND DESCRIPTION OF MAJOR COMPONENTS - CONTINUED

- 12 VMS MODEMS Transmit electronic signals/data from vehicle motion sensor (VMS) by way of hull VMS modem.
- 13 PALADIN SERIAL INTERFACE ADAPTER DEVICE (PSAID) Provides for the INC and MVS to interface with the PDCU.
- 14 BOOT DONGLE The boot dongle will be removed in vehicles with PIK installation.
- 15 PLATFORM INTERFACE KIT (PIK) Formats and sends fuze data to EPIAFS.
- 16 PIK ADAPTER (PIA) Allows PIK to communicate to necessary equipment in vehicles.
- 17 ENHANCED PORTABLE INDUCTIVE ARTILLERY FUZE SETTER (EPIAFS) Interfaces with standard fuzes and XM982.

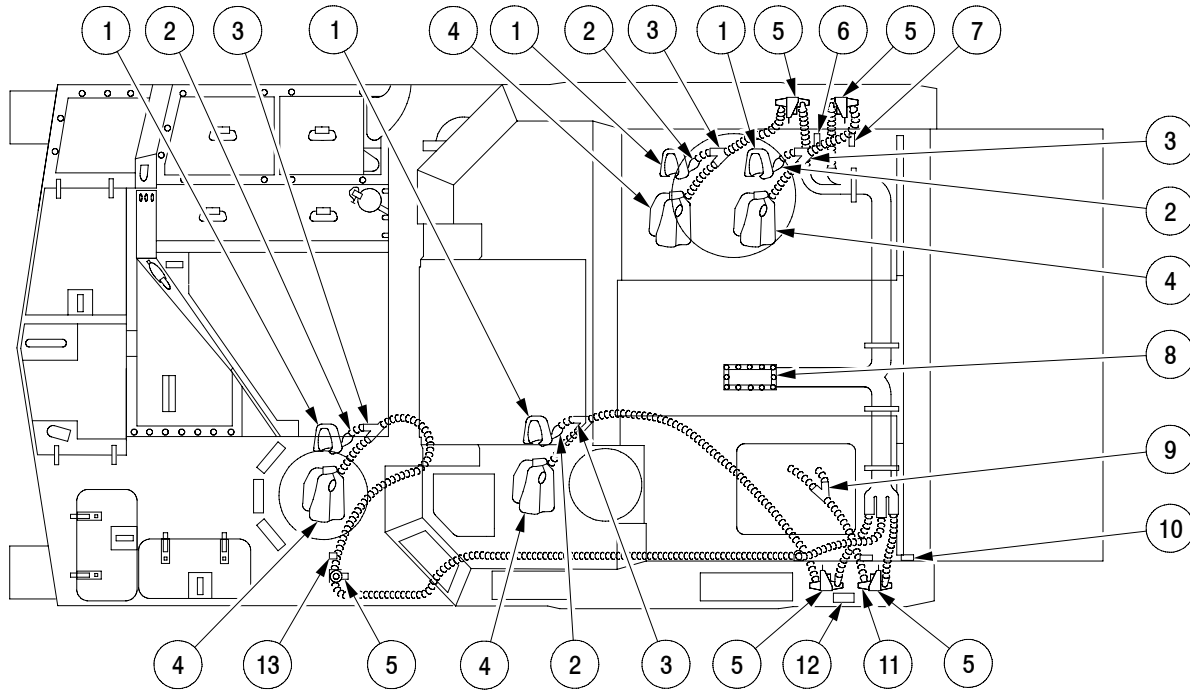


NOTE: Items 2 and 6 deleted.

06pc001mc

1-12 LOCATION AND DESCRIPTION OF MAJOR COMPONENTS - CONTINUED

1-12.5 NBC System Components.

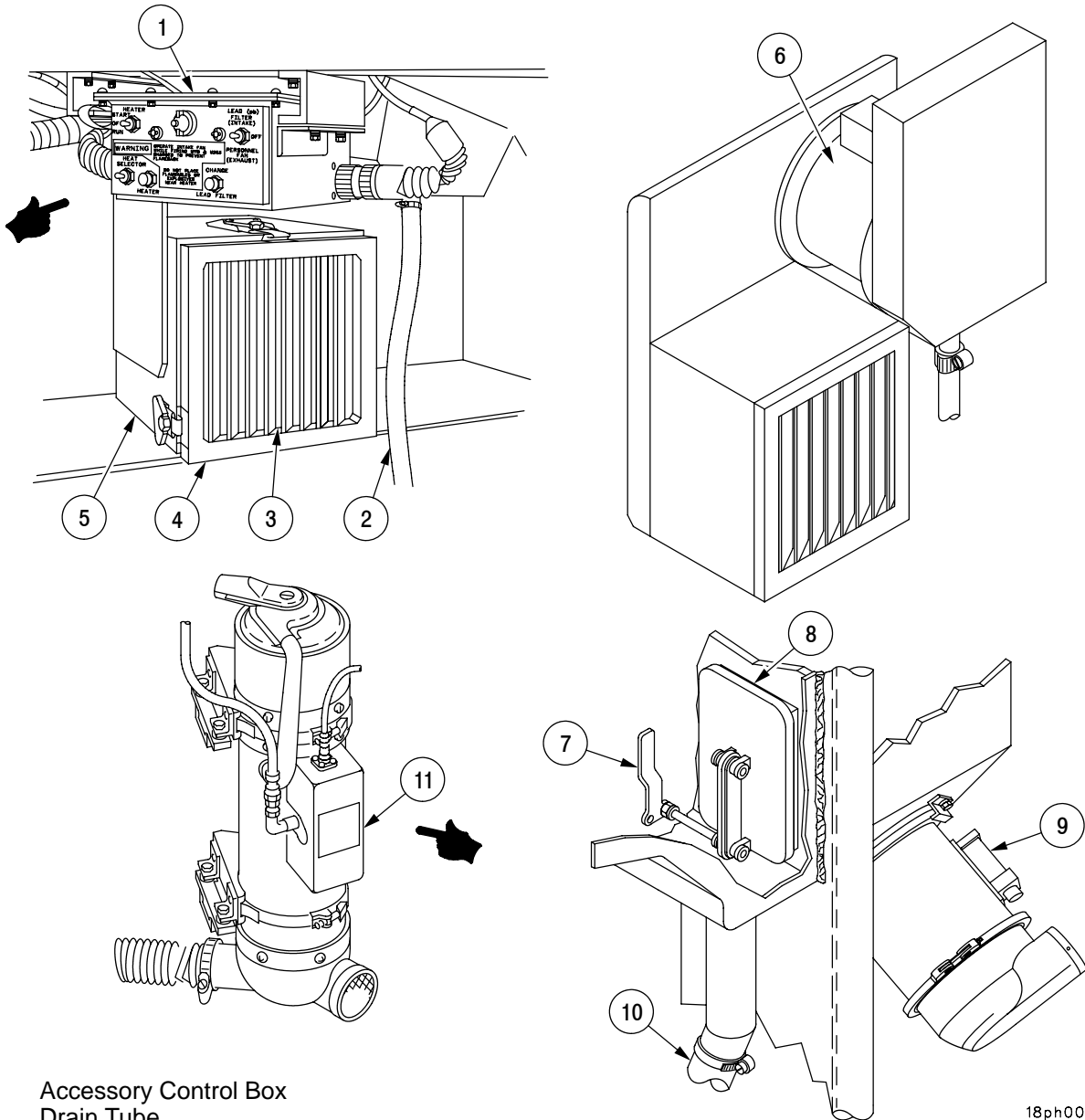


91ph001m

- | | |
|---------------------------------|---|
| 1. M25A1 Protective Mask | 7. Gunner's Quick-Disconnect Orifice |
| 2. M10A1 CB Filter | 8. MCS Pack Assembly Vent |
| 3. Diverter Valve | 9. Secondary Diverter Valve |
| 4. MOPP Suit Vest | 10. Driver's Secondary Quick-Disconnect Orifice |
| 5. Heaters (M-3) | 11. Cannoneer Quick-Disconnect Orifice |
| 6. COS Quick-Disconnect Orifice | 12. MCS Control Box |
| | 13. Driver's Primary Quick-Disconnect Orifice |

1-12 LOCATION AND DESCRIPTION OF MAJOR COMPONENTS - CONTINUED

1-12.6 Lead Particulate Filter and Ventilation System Components.

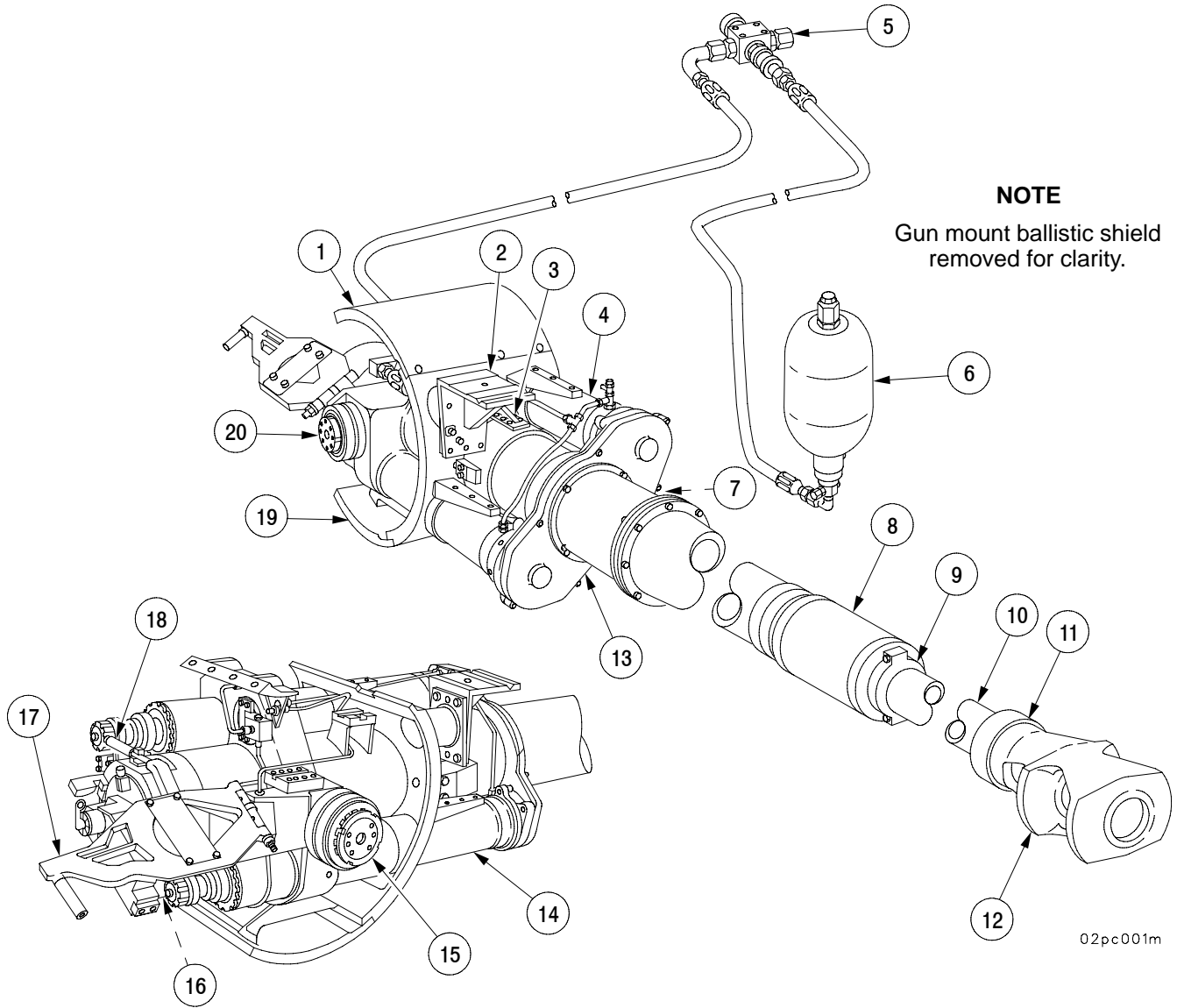


18ph004m

1. Accessory Control Box
2. Drain Tube
3. Lead Filter (Particulate)
4. Filter Housing Grille
5. Filter Housing
6. Vaneaxial Fan Assembly (Intake)
7. Ventilation Duct Control Handle
8. Ventilation Duct Door
9. Personnel Fan (Exhaust)
10. Ventilation Tube
11. Personnel Heater

1-12 LOCATION AND DESCRIPTION OF MAJOR COMPONENTS - CONTINUED

1-12.7 Cannon and Mount Components.

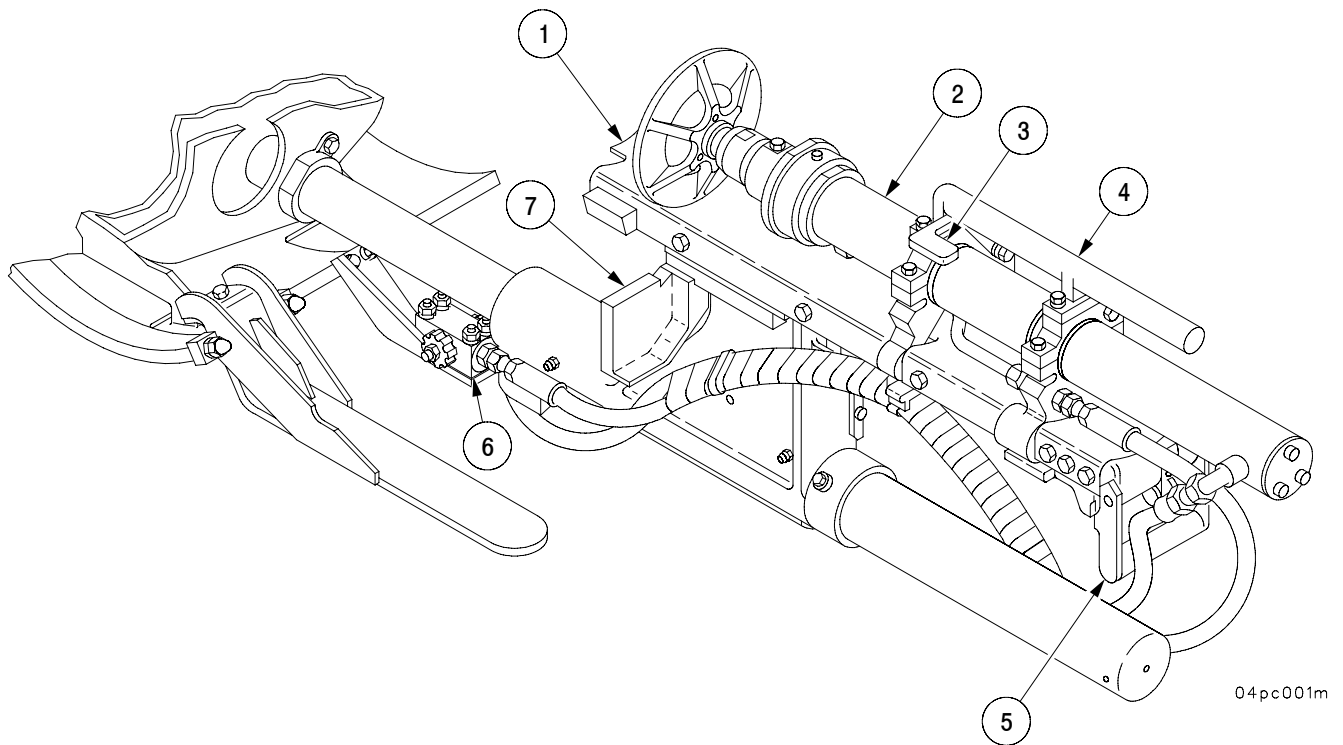


02pc001m

- | | |
|--|------------------------------------|
| 1. Upper Rotor Shield | 11. Muzzle Brake Thrust Collar |
| 2. M93 MVS Antenna Mounting Bracket | 12. Muzzle Brake |
| 3. Torque Key | 13. Dust Shield |
| 4. Upper Variable Recoil Cylinder | 14. Lower Variable Recoil Cylinder |
| 5. Manifold | 15. Trunnion |
| 6. Accumulator | 16. Buffer (Hidden) |
| 7. Recuperator (Hidden) | 17. Breech Operating Cradle Cam |
| 8. Bore Evacuator Assembly | 18. Breech Operating Handle |
| 9. Bore Evacuator Assembly Thrust Collar | 19. Lower Rotor Shield |
| 10. Howitzer Cannon M284 | 20. Howitzer Mount M182A1 |

1-12 LOCATION AND DESCRIPTION OF MAJOR COMPONENTS - CONTINUED

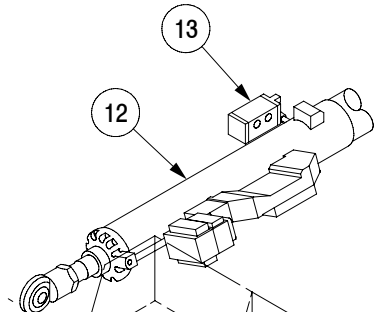
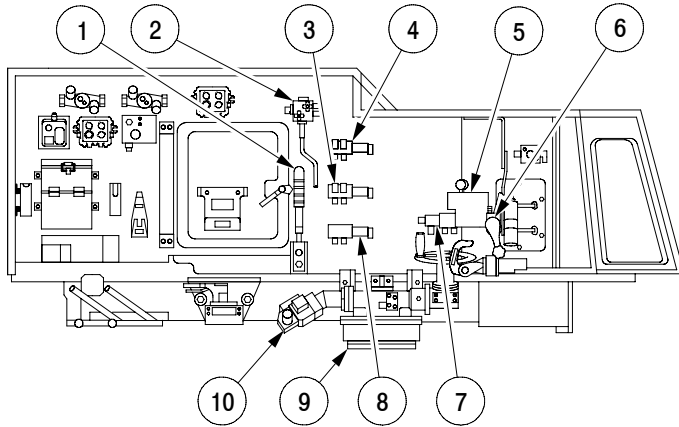
1-12.8 Loader Rammer Components.



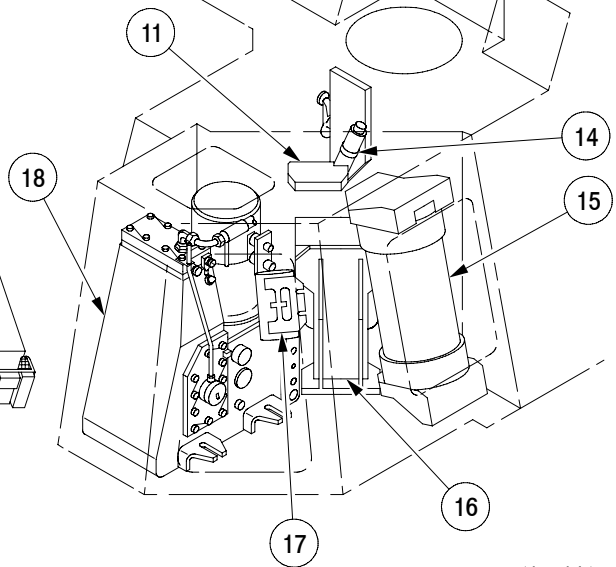
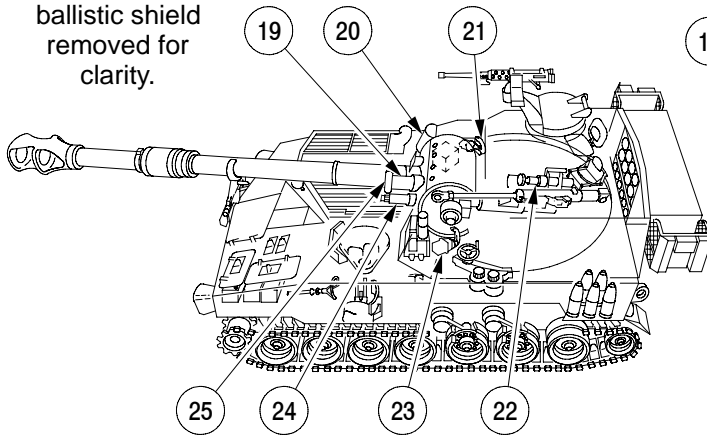
- 1. Tray
- 2. Rammer Cylinder
- 3. Cylinder Latch
- 4. Cylinder Handle
- 5. Main Release Handle
- 6. Blocking Valve
- 7. Rammer Stop

1-12 LOCATION AND DESCRIPTION OF MAJOR COMPONENTS - CONTINUED

1-12.9 Hydraulic System Components.



NOTE
Gun mount ballistic shield removed for clarity.



16pc001m

- | | |
|---|---|
| 1. Equilibration Hand Pump | 13. Loader Rammer Control Valve |
| 2. Equilibration Manifold | 14. Accumulator Assembly Manual Pump |
| 3. Traverse Selector Valve | 15. Elevation Equilibration Accumulator |
| 4. Elevation Selector Valve | 16. Hydraulic Fluid Filter Assembly |
| 5. Fuze Manifold | 17. Pulse Accumulator |
| 6. Manual Elevation Hand Pump/Accumulator | 18. Hydraulic Powerpack |
| 7. Hydraulic Clutch Valve | 19. Buffer Assembly |
| 8. Traverse Limit Valve | 20. Replenisher Accumulator |
| 9. Traverse Mechanism Assembly With Motor | 21. COS Control Handle |
| 10. Traverse Servovalve | 22. Loader Rammer |
| 11. Mode Selector Valve | 23. Gunner's Control Handle |
| 12. Elevation Mechanism | 24. Recuperator |
| | 25. Variable Recoil Cylinders |

1-13 DIFFERENCES BETWEEN MODELS.

This manual covers only one model, the M109A6.

1-14 EQUIPMENT DATA.

a. General: Weights and Dimensions.

Weight:

Empty (approx.)	56,400 lbs (25,605.6 Kg)
Combat loaded (approx.)	63,615 lbs (28,881.21 Kg)

Dimensions:

Overall length (with baskets to rear)	423 in. (10.7 M)
Overall length (with baskets foward)	392 in. (9.9 M)
Overall width (with baskets foward)	154 in. (3.9 M)
Overall width (with baskets to rear)	128 in. (3.3 M)
Overall height (including machine gun)	143.1 in. (3.63 M)
Ground clearance	18 in. (0.45 M)

Capacities:

Fuel tanks (diesel)	133 gal. (503.4 L)
Engine crankcase	9-1/2 gal. dry (36 L)
	6-3/4 gal. (refill) (25.5 L)
Transmission ..	20 gal. dry (75.7 L)
	12 gal. (refill) (45.5 L)
Cooling system	20-1/4 gal. dry (77 L)
	14-1/2 gal. (refill) (55 L)

b. Performance.

Maximum speed	38 mph (61.1 Kmph)
Maximum speed, reverse	7 mph (11.3 Kmph)
Cruising range	186 miles (299 Km)
Grade ascending ability (max)	60%
Grade descending ability (max)	60%
Maximum trench crossing width	72 in. (1.83 M)
Maximum vertical wall	21 in. (0.53 M)
Minimum turning radius	1 vehicle length
Fording depth	42 in. (1.07 M)

1-14 EQUIPMENT DATA - CONTINUED

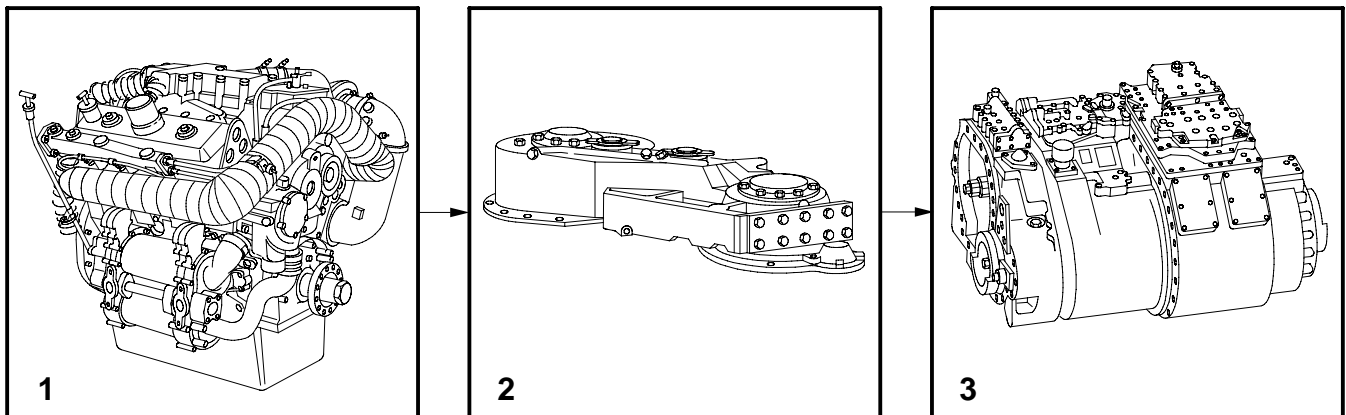
c. Primary Armament: I55MM, M284 Cannon.

Tube length	20 ft. (6 M)
Cannon mount	M182A1
EFC Value	(Zone 8) 0.25 (M119A1) (Zone 5) 1.00 (M232/M232A1) (Zone 4) 0.25 (M232/M232A1) (Zone 3) 0.10 (M232/M232A1) (Zone 7R) 0.25 (M119A2) (Zone 7W) 0.15 (M4A2) (Zone 3 - 6) 0.05 (M4A2 and M3A1) (Zone 2) 0.15 (M231) (Zone 1) 0.05 (M231)
Maximum range	(Zone 7) 18,000 M (Zone 5) 22,000 M (M232) (Zone 8) 22,000 M (Zone 8 with RAP) 30,000 M (Zone 5 with RAP) 30,000 M (M232)
Maximum rate of fire	4 rds/min for 3 min
Sustained rate of fire	(Zones 3-7) 1 rd/min (Zone 8) 1 rd/min until limited by tube temperature sensor
Maximum on-board stored projectiles	37 regular, 2 M712 (39 total)
Maximum on-board propelling charges	44
Maximum on-board propelling charge canisters (MACS)	31

Section III. PRINCIPLES OF OPERATION

1-15 POWERPACK.

- 1 Engine - is a liquid cooled, 2-stroke cycle, low heat rejection, diesel-type Model 8V71T, equipped with exhaust-driven turbocharger. The engine develops 440 horsepower at 2300 rpm and delivers power to the transfer assembly (2).
- 2 Transfer assembly - receives power from the engine (1) and transfers that power to the transmission (3).
- 3 Transmission - oil cooled and mechanically and hydraulically operated, it receives power from the engine through a geared power transfer assembly (2). The transmission has seven gears - four forward, one neutral, and two reverse gears - and delivers power to the left and right drive sprockets through the output shaft, universal joints, and final drive assemblies. It also functions as the steering and braking mechanism.

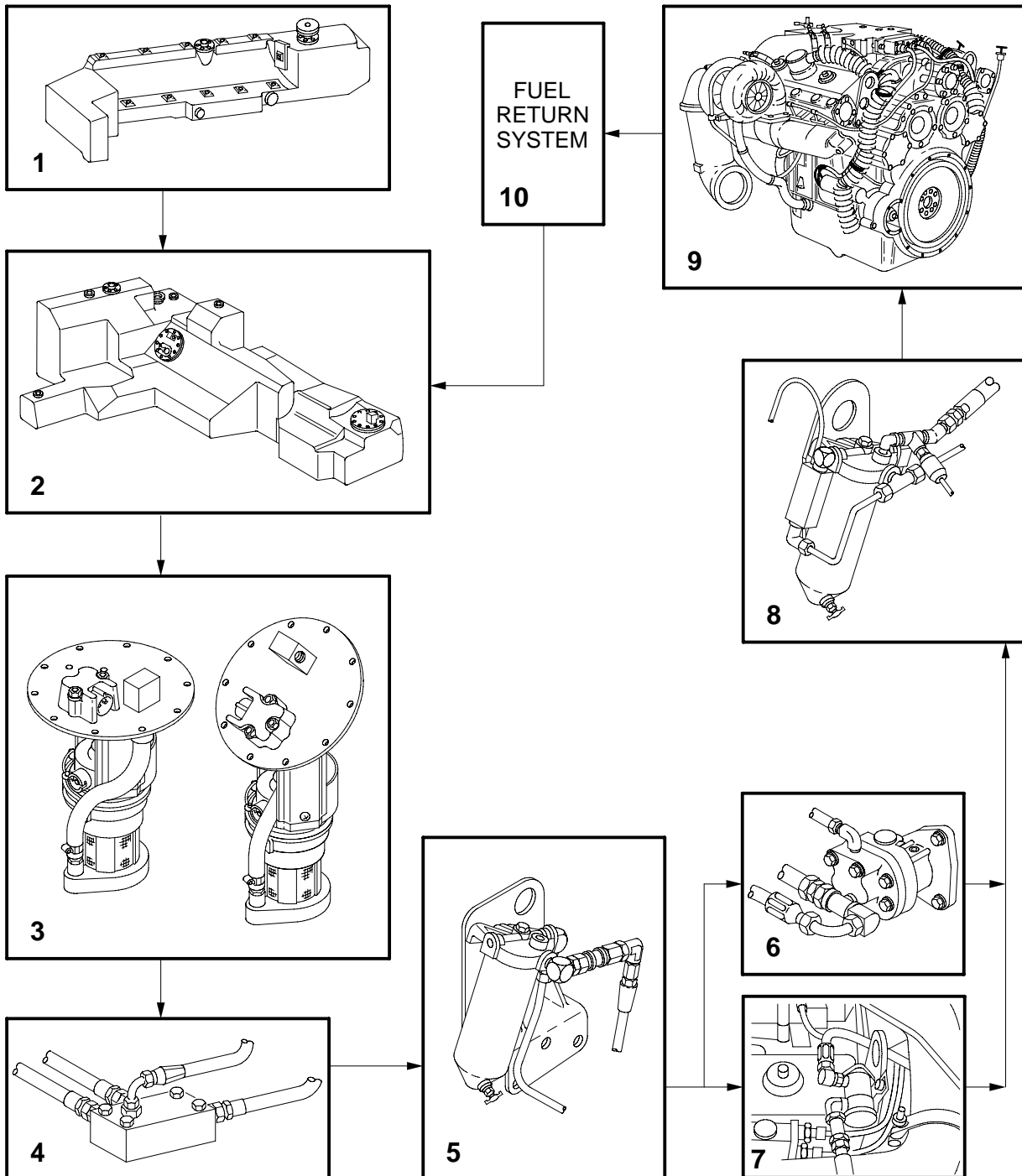


01ph002m

1-16 FUEL SYSTEM.

- 1 Upper fuel tank - provides additional fuel to the lower fuel tank (2). Filling of both fuel tanks takes place through the filler neck of the upper fuel tank.
- 2 Lower fuel tank - provides for fuel storage and for the return of unused fuel from the fuel return system (10).
- 3 Electric fuel pumps- activated by the MASTER switch on the instrument panel, and the fuel pump system pressure switch on the engine. These pumps distribute fuel from the lower fuel tank (2) to the fuel distribution center (4).
- 4 Fuel distribution center - distributes fuel to primary fuel filter (5).
- 5 Primary fuel filter - first filter from fuel tank.
- 6 Engine driven fuel pump - when engine is operating, pumps fuel from the primary fuel filter (5) on to the secondary fuel filter (8).
- 7 Electrically driven fuel pump - when engine is not operating, the electrically driven fuel pump, activated by the fuel prime switch on the instrument panel, pumps fuel from the primary filter (5) to the secondary filter (8).
- 8 Secondary fuel filter - Filters fuel a second time.
- 9 Engine - uses fuel.
- 10 Fuel return system - distributes excess fuel back to the lower fuel tank (2).

1-16 FUEL SYSTEM - CONTINUED

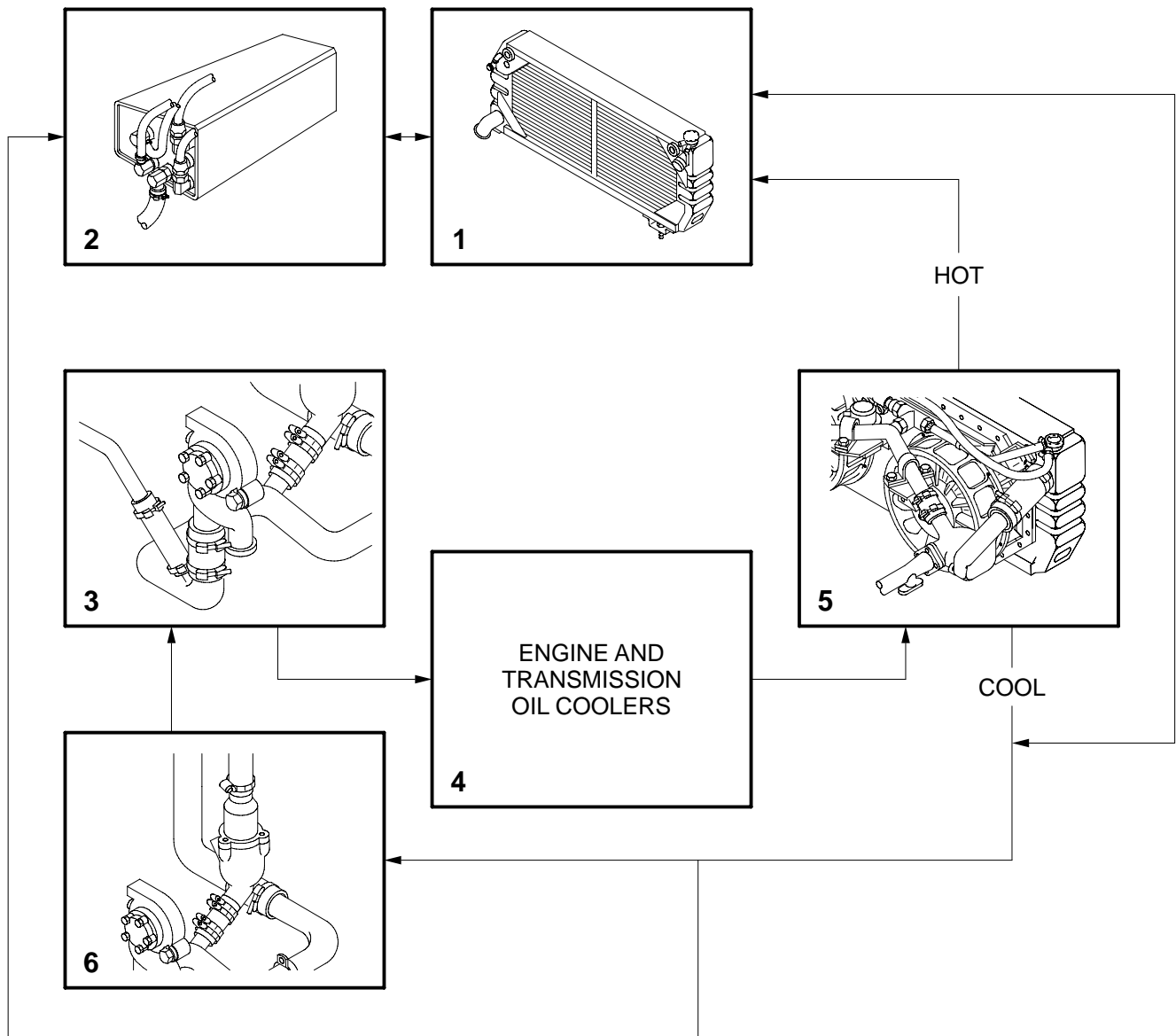


03ph001ma

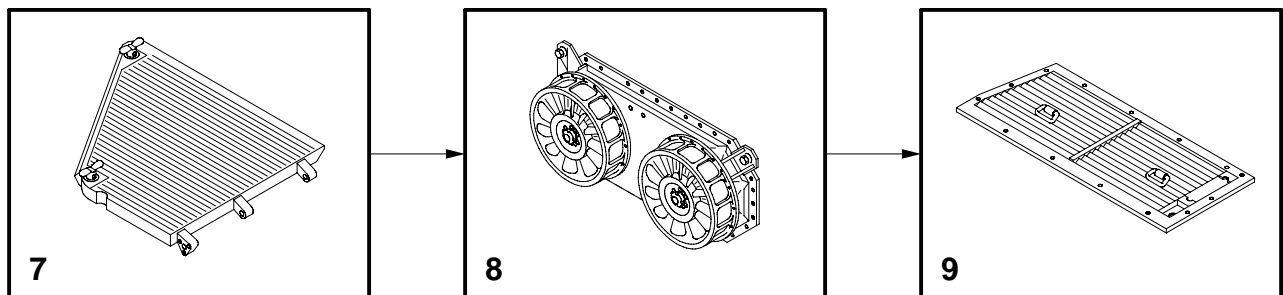
1-17 COOLING SYSTEM.

- 1 Radiator - cools the coolant flowing through it. Coolant is then directed to surge tank (2) or bypass thermostat (6).
- 2 Surge tank - allows for overflow from the radiator (1) in this closed cooling system.
- 3 Engine driven coolant pump - pulls coolant from the radiator (1) and distributes it to the transmission and engine oil coolers and back to the radiator (1) or surge tank (2).
- 4 Engine and transmission oil coolers - cool the oil within the engine and transmission by surrounding the oil coolers with coolant.
- 5 Inlet thermostat - directs the flow of the coolant from the engine to different areas of the cooling system. If the engine is running hot enough to open the inlet thermostat, the coolant flow will be directed to the radiator (1) so it can be cooled. If the engine is running cool enough, the inlet thermostat will direct flow to the bypass thermostat (6) or surge tank (2).
- 6 Bypass thermostat - allows inflow from the inlet thermostat (5) and cooling crossover tube and directs it back to the engine driven coolant pump (3).
- 7 Air intake grille - allows air to be pulled into the engine compartment by the radiator fans (8).
- 8 Radiator fan assembly - pulls in air through the air intake grille (7), across the engine and pushes the air through the radiator (1) "honeycomb." The air is then discharged through the exhaust grille (9).
- 9 Exhaust grille- allows air circulated by the fan assembly (8) to pass through the radiator (1) and back out of the engine compartment.

1-17 COOLING SYSTEM - CONTINUED



COOLANT FLOW



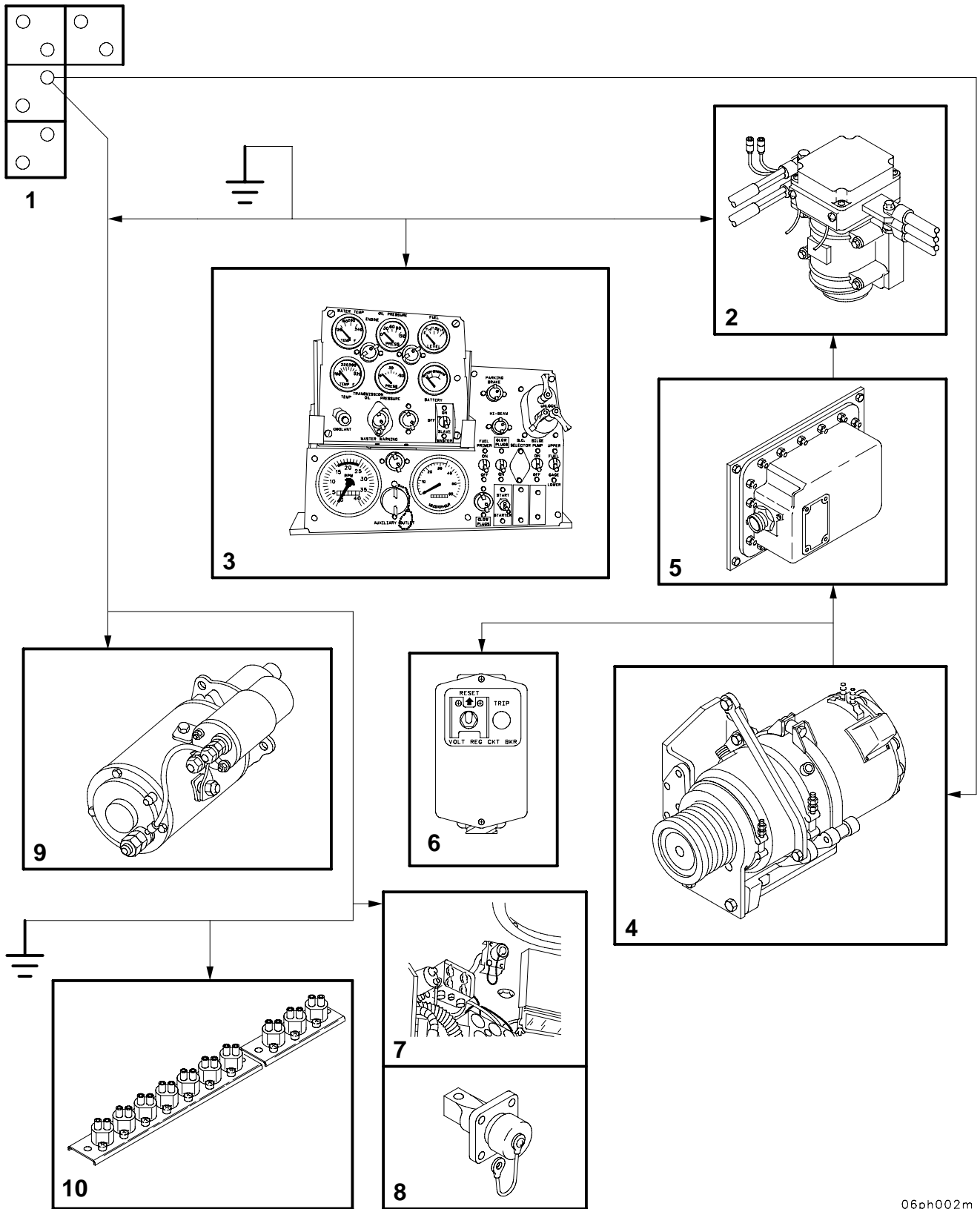
AIR FLOW

05ph001m

1-18 ELECTRICAL SYSTEM.

- 1 Batteries - four 12-volt batteries connected in series and parallel; delivering 24 V dc (nominal) to vehicle systems.
- 2 Master relay - delivers electrical power (24 V dc) to operating systems when the master switch (3) is on. Delivers power directly to the:
 - Slip ring contact board
 - Engine starter (9)
 - Circuit breaker board (10)
 - Cab (slip ring segment board)
- 3 Master switch - when activated, draws 24 V dc from the battery through the master relay (2) to the electrical systems. With the master switch ON, systems can be operated without running the engine.
- 4 Generator - belt driven and delivers 24 V dc (nominal) to the voltage regulator (5).
- 5 Voltage regulator - controls the delivery of 24 V dc to the vehicle operating systems through the master relay (2) and also acts as a recharger for the batteries when the engine is operating.
- 6 Voltage regulator control box - circuit breaker restores power to voltage regulator with engine running and circuit breaker in the ON position. Light is lit when regulator is inoperable.
- 7 Slave start - allows jump starting from other vehicles.
- 8 External power - allows operation using auxiliary power from external source.
- 9 Starter - is activated by a switch with power drawn from the batteries (1) for starting the engine.
- 10 Circuit breakers - ten circuit breakers prevent the flow of electric current in an overloaded or otherwise abnormally stressed electric circuit.

1-18 ELECTRICAL SYSTEM - CONTINUED

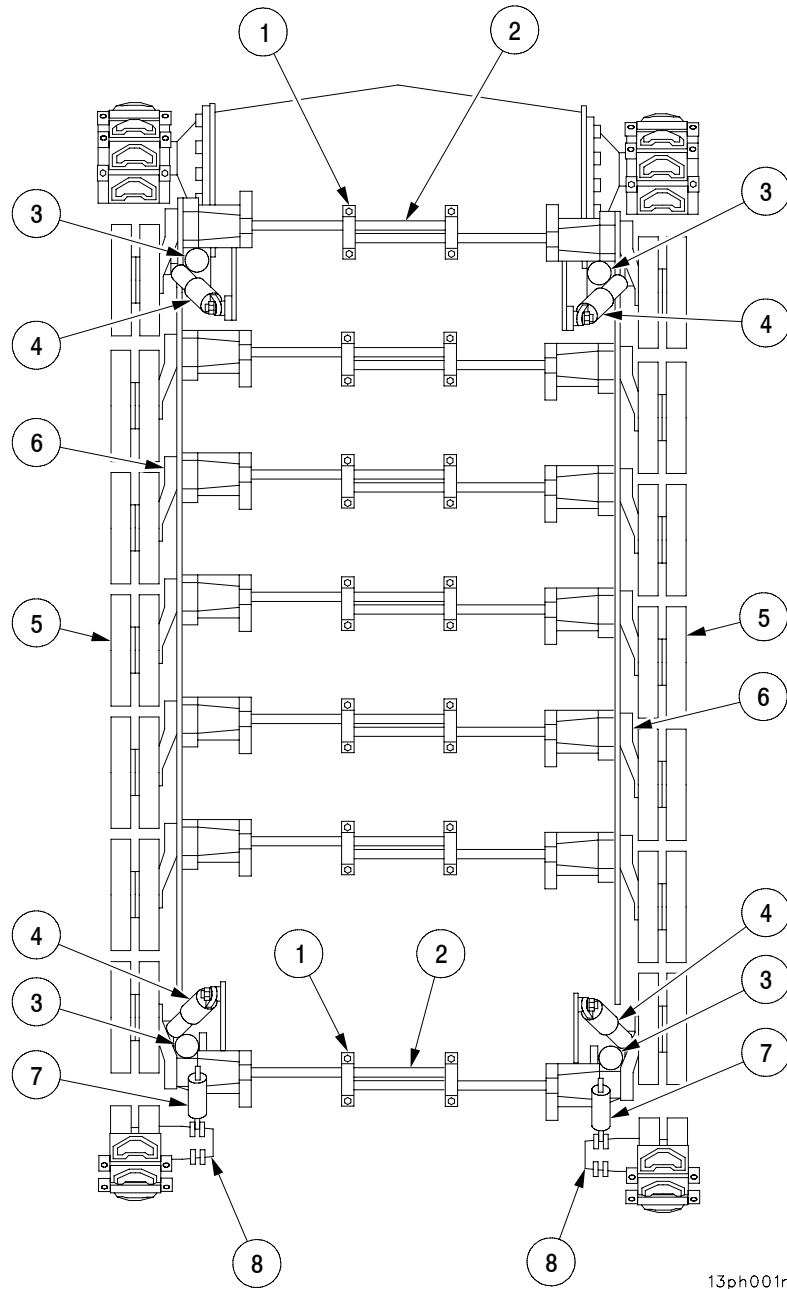


06ph002m

1-19 SUSPENSION SYSTEM.

- 1 Torsion bar anchors - secure the ends of the torsion bars (2). One anchor secures one torsion bar.
- 2 Torsion bars - secured at the anchor (1) and connected to the roadwheel arm (3), the torsion bar acts as a spring for the roadwheel.
- 3 Hydraulic bump stops - keep shock absorbers (4) from moving beyond their limits.
- 4 Shock absorbers - handle differences in the terrain on which the vehicle operates. They are located in the front and back of the vehicle (roadwheels 1 and 7).
- 5 Roadwheels - seven sets per side, located between the drive sprocket and idler wheel, providing support and guiding the track.
- 6 Roadwheel arm - connected to the torsion bar (2), the roadwheel arm provides a pivot point between the torsion bar (2) and the roadwheels (5).
- 7 Track adjuster - increase or decrease track tension.
- 8 Idler arm assembly - the idler arm assembly consists of an idler arm with an idler wheel attached, all rotating within the idler arm housing. The angle of the idler arm and wheel is determined by the length of track adjuster (7).

1-19 SUSPENSION SYSTEM - CONTINUED

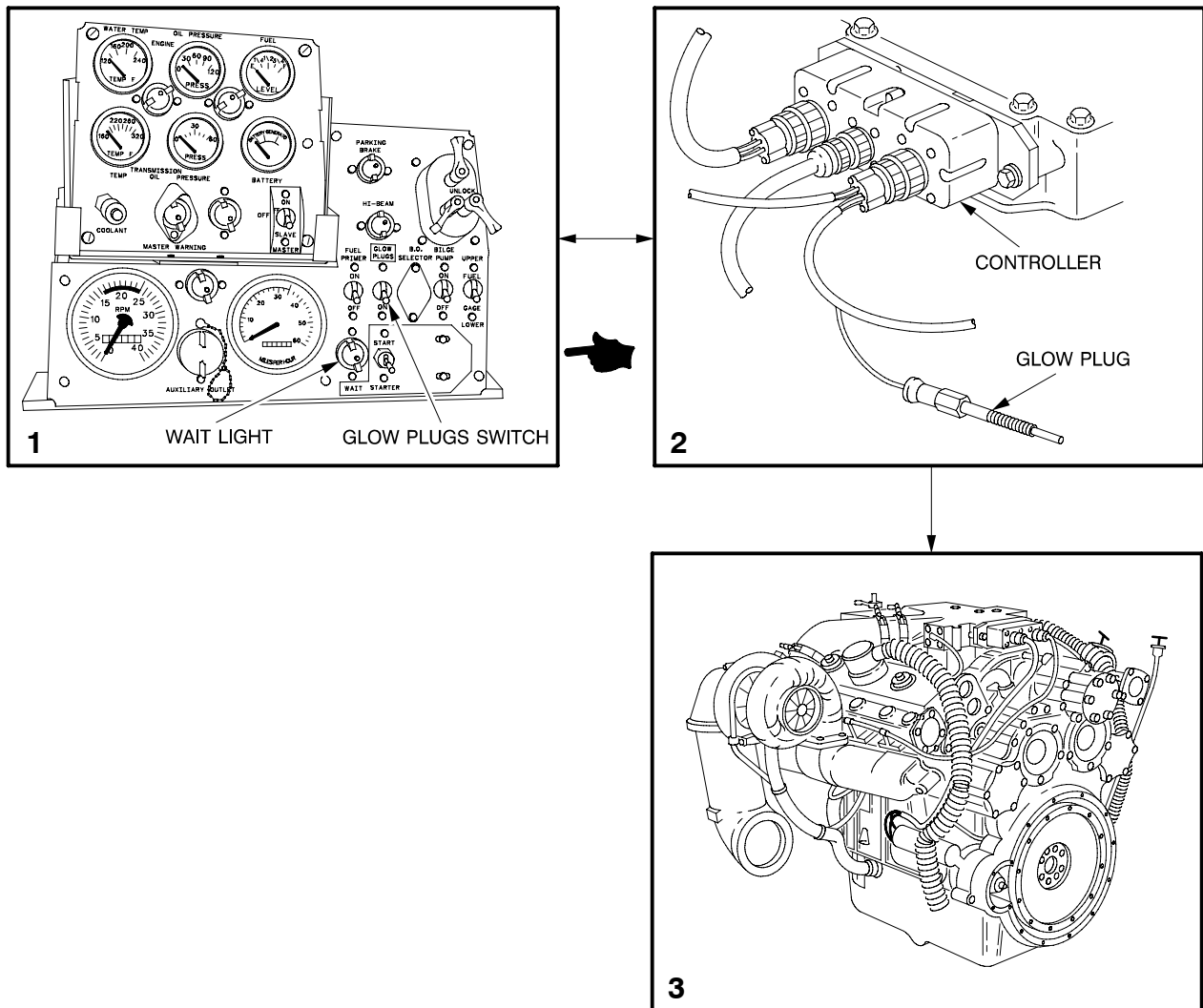


13ph001m

1-20 GLOW PLUG SYSTEM.

The glow plug system is used to aid in cold weather starting.

- 1 GLOW PLUGS switch and WAIT light - GLOW PLUG switch activates controller and WAIT light.
- 2 Controller and glow plugs - The controller powers glow plugs and WAIT light. When activated, the WAIT light comes on for 35 seconds while glow plugs reach sufficient temperature. The WAIT light then flashes to indicate that the engine can be started. After the engine is started, the WAIT light and glow plugs stay on for an additional 60 seconds.
- 3 Engine - Contains controller and eight glow plugs.

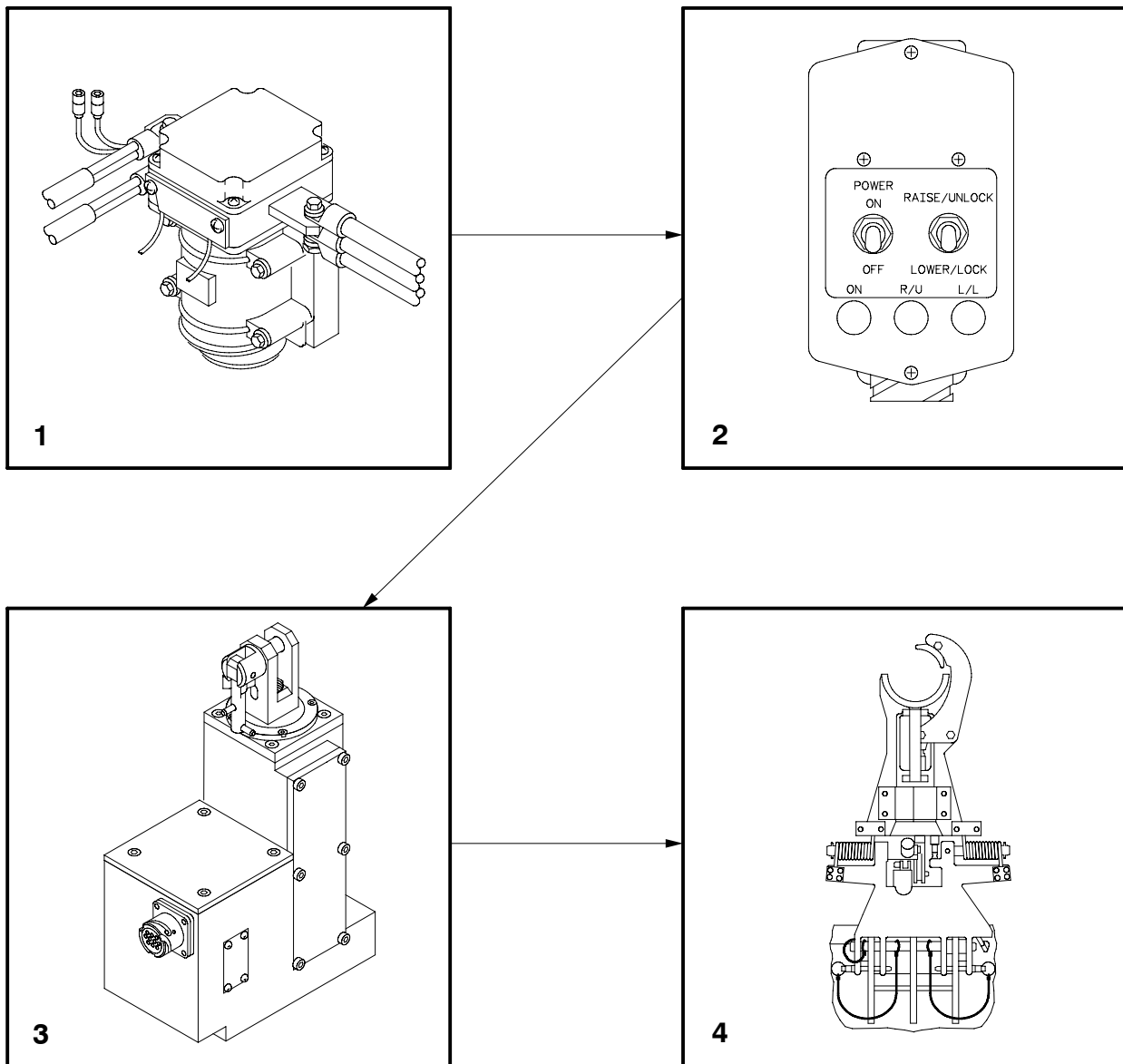


01ph003m

1-21 TRAVEL LOCK SYSTEM.

A remote control travel lock provides for release or engagement of the gun tube travel lock from the driver's compartment using an electrical actuator.

- 1 Master relay - delivers electrical power (24 V dc) to operating systems when the MASTER switch is ON.
- 2 Travel lock control box - activates and controls the travel lock unit.
- 3 Actuator assembly - moves the gun tube travel lock unit (4).
- 4 Gun tube travel lock unit - locks and unlocks the gun for travel and firing.



18ph008m

1-22 AFCS, PDIU, AND CAB NAVIGATION SYSTEM.

The Automatic Fire Control System (AFCS) consists of the following major assemblies:

- AFCS Computer Unit (ACU)
- Display Unit (DU)
- Power Conditioner Unit (PCU)
- Backup Batteries (2 each)
- Azimuth Tachometer (Az Tach)
- Elevation Tachometer (EI Tach)
- Hydraulic Components (manifolds, servo valves, solenoid valve, and pilot check valves).
- AFCS Harness Assemblies
- Vehicle Motion Sensor (VMS) Modems (1-hull/1-cab)
- Tube Temperature Sensor (TTS)
- Precision Lightweight GPS Receiver (PLGR) or Defense Advanced GPS Receiver (DAGR)
- Muzzle Velocity Sensor (MVS)

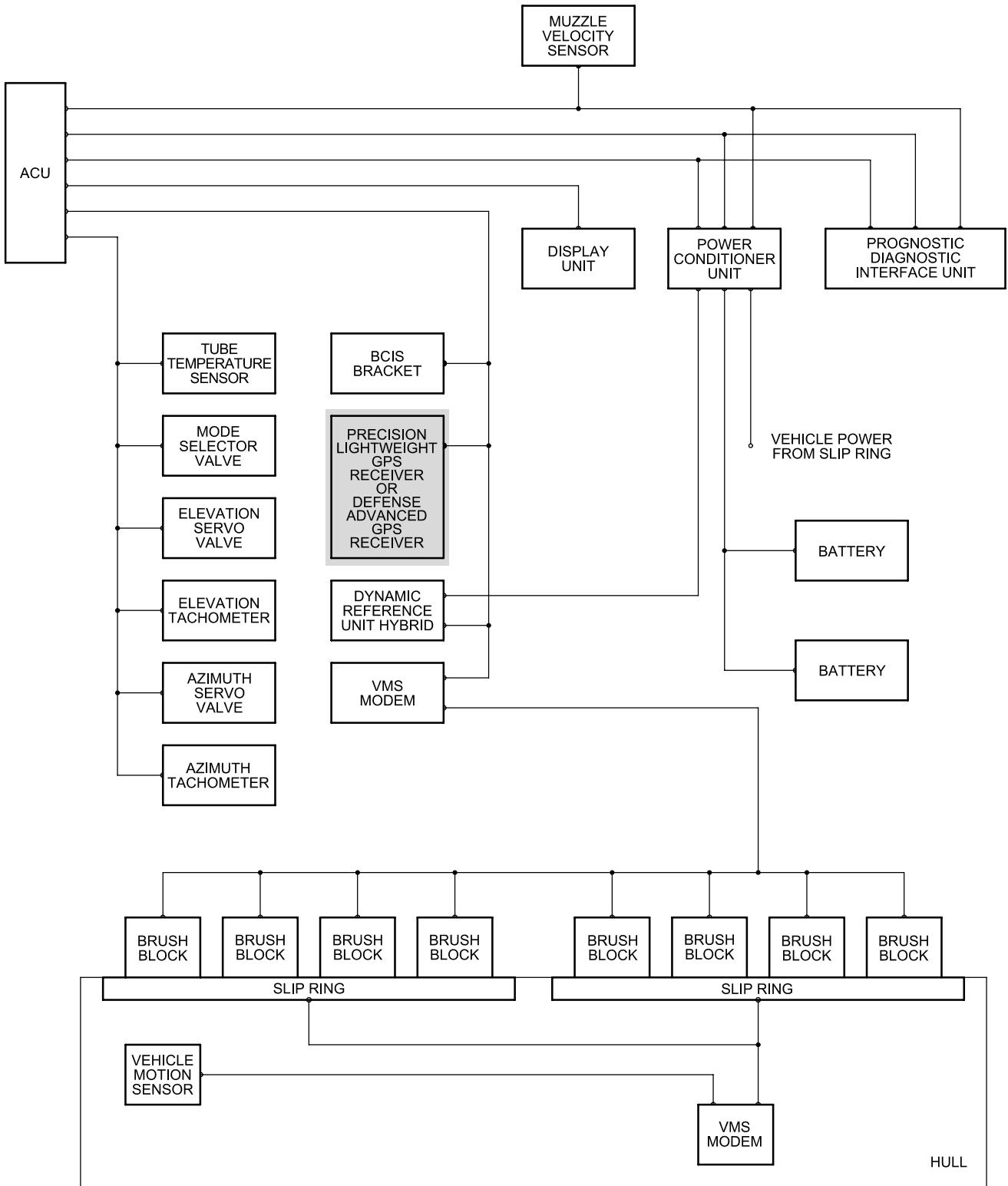
The AFCS receives target information, calculates weapons position and automatically lays gun tube. Calls for fire are accepted directly. Communication can be performed with any authorized source. Processing of input and output messages is handled by ACU.

Weapon position is calculated and provided by Dynamic Reference Unit Hybrid (DRUH) to AFCS. Knowing weapon position, orientation and call-for-fire data, the Weapons Control (WC) calculates proper elevation and azimuth which is displayed on the DU. The lay switch causes the WC of ACU to drive the gun servos to lay the gun in elevation and azimuth. DRUH Nav Systems require periodic stops to align the AFCS. These stops are called Zero Velocity Updates (ZUPT). The DU panel alerts the operator when a ZUPT is required. The AFCS has built-in protection in case of a nuclear event. The detector will shut down the AFCS when it detects a nuclear event.

The AFCS also has a Built-In Training Device (Embedded Trainer). This can be used as a tutorial device to train, maintain, improve and evaluate crew performance efficiency. This function allows for simulating Move and Fire Missions under a variety of battlefield scenarios. These include: Shoot Heavy, Move Heavy, Modified, Balanced, as well as Degraded conditions (for AFCS), all without need for radio communications. In addition, Embedded Trainer can be run from a Beginner's Tutorial option through a full-scale scenario. A TTS, powered by the AFCS, is provided to give the crew the temperature of the tube during firing.

The PDIU is the central collection point for information concerning the condition of the M109A6 system. It gathers, stores, and communicates information concerning failures, or impending failures, to the crew. Based on that information, the crew can either proceed in a degraded mode or enter a maintenance mode and begin performing fault detection and fault isolation to an LRU or LRUs.

1-22 AFCS, PDIU, AND CAB NAVIGATION SYSTEM - CONTINUED



06pc002m

1-22.1 PDFCS AND CAB NAVIGATION SYSTEM.

The Paladin Digital Fire Control System (PDFCS) consists of the following major assemblies:

Paladin Digital Computer Unit (PDCU)

PDFCS Display Unit (PDU)

Power Conditioner Unit-2 (PCU-2)

Backup Batteries (2 each)

Hydraulic Components (manifolds, servo valves, solenoid valve, and pilot check valves).

PDFCS Harness Assemblies

Vehicle Motion Sensor (VMS) Modems (1-hull/1-cab)

Tube Temperature Sensor (TTS)

Precision Lightweight GPS Receiver (PLGR) or Defense Advanced GPS Receiver (DAGR)

Paladin Muzzle Velocity System (PMVS)

Platform Integration Kit (PIK)

PIK Interface Adapter (PIA)

Enhanced Portable Inductive Artillery Fuze Setter (EPIAFS)

The PDFCS receives target information, calculates weapons position and automatically lays gun tube. Calls for fire are accepted directly. Communications can be performed with any authorized source. Processing of input and output is handled by PDCU.

Weapon position is calculated and provided by Dynamic Reference Unit Hybrid (DRUH) to PDFCS. Knowing weapon position, orientation and call-for-fire data, the Weapons Control (WC) calculates proper elevation and azimuth which is displayed on the PDU. The lay switch causes the WC of PDCU to drive the gun servos to lay the gun in elevation and azimuth. DRUH Nav Systems require periodic stops to align the PDFCS. These stops are called Zero Velocity Updates (ZUPT). The PDU panel alerts the operator when a ZUPT is required. The PDFCS has built-in protection in case of a nuclear event. The detector will shut down the PDFCS when it detects a nuclear event.

The PDFCS also has a Built-In Training Device (Embedded Trainer). This can be used as a tutorial device to train, maintain, improve and evaluate crew performance efficiency. This function allows for simulating Move and Fire Missions under a variety of battlefield scenarios. These include: Shoot Heavy, Move Heavy, Modified, Balanced, as well as Degraded conditions (for PDFCS), all without need for radio communications. In addition, Embedded Trainer can be run from a Beginner's Tutorial option through a full-scale scenario. A TTS, powered by the PDFCS, is provided to give the crew the temperature of the tube during firing.

Section IV. SECTION DRILL

1-23 GENERAL.

The purpose of section drill is to improve the performance of the howitzer section through execution of assigned tasks and cross training of section personnel.

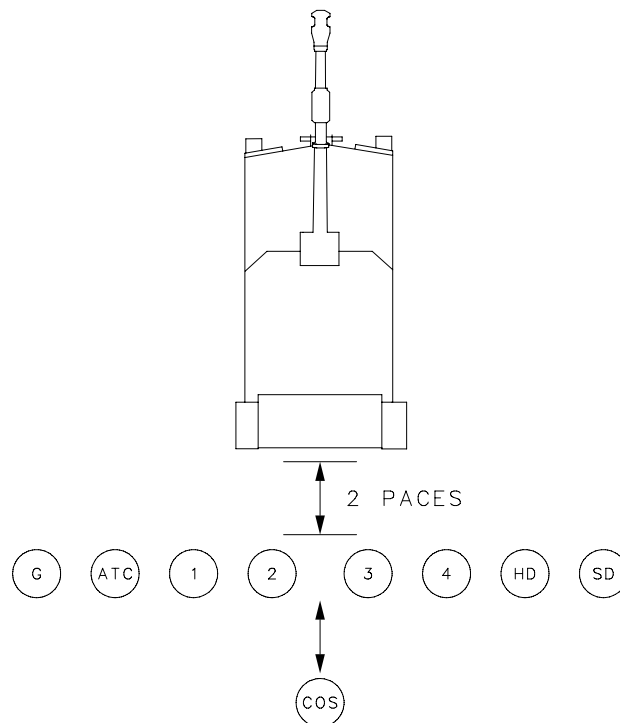
1-24 INSTRUCTIONS.

- a. Section drill must be conducted in silence, except for commands and reports. The section must be drilled until reaction to commands is quick, automatic, and correct.
- b. Battery officers will supervise the drill. Errors will be corrected immediately.
- c. Duties should be rotated during training so that each member of the section can perform all duties within the section.

1-25 PRELIMINARY COMMANDS AND FORMATIONS.

1-25.1 To Form The Section.

To Fall In. The chief of section takes his post. On the command of execution the section forms in a single rank, at close interval, centered on and facing the chief of section at a distance of 3 paces. Numbered cannoneers form in order between the ammunition team chief and the howitzer driver. The chief of section may indicate in his preparatory command the place and direction in which the section is to form. At the first formation for a drill or exercise, the caution "As howitzer section" precedes the command. The commands are FALL IN or 1. IN FRONT (REAR) OF YOUR PIECE, 2. FALL IN. Execution is as follows: The section moves at double time and forms at close intervals, guiding on the gunner. The driver of the section vehicle is to the left of the howitzer driver and is the last in line. To execute 1. IN REAR OF YOUR PIECE, 2. FALL IN, the section falls in as shown in drawing A.



DRAWING A
FALL IN

18ph009m

1-25 PRELIMINARY COMMANDS AND FORMATIONS - CONTINUED

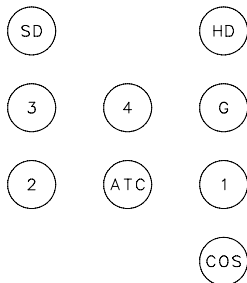
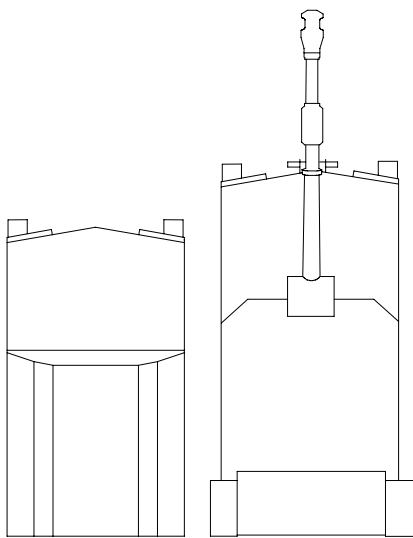
1-25.1 To Form The Section - Continued

To Call Off. The section being in formation, the command is CALL OFF. At the command all personnel in ranks (except the gunner) execute eyes right. The section then calls off in sequence; for example, "GUNNER", "AMMUNITION TEAM CHIEF", "1", "2", "3", "4", "HOWITZER DRIVER", SECTION DRIVER". Each man, except the gunner, turns his head smartly to the front as he calls out his designation.

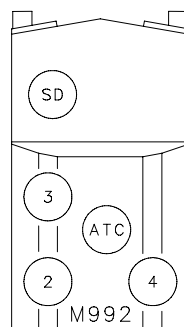
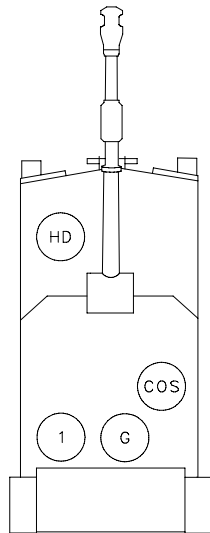
1-25.2 To Post The Section.

The command is 1. CANNONEERS, 2. POSTS. The command is general and is applicable whether the section is in or out of ranks, at a halt, or marching. All movements are executed at double time and are terminated at the position of attention. The section moves to posts as shown in the following figures:

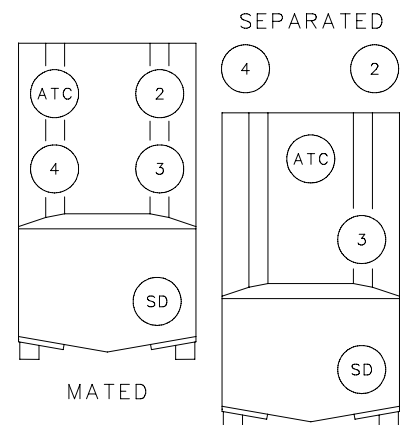
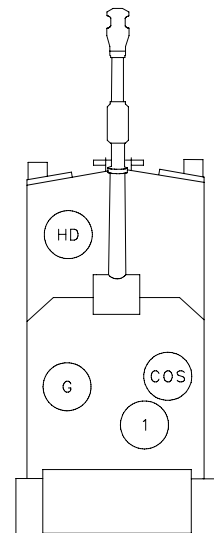
- Dismounted, drawing B
- Mounted, drawing C
- Prepared for action, drawing D



DRAWING B
DISMOUNTED



DRAWING C
MOUNTED



DRAWING D
PREPARED FOR
ACTION

1-25 PRELIMINARY COMMANDS AND FORMATIONS - CONTINUED

1-25.3 To Change Posts.

To acquaint the members of the section with all duties and to lend variety to drill, posts should be changed often. The section being in formation (dwg. A), the commands are 1. CHANGE POSTS, 2. MARCH, or 1. SECTION CHANGE POSTS, 2. MARCH.

- a. On the preparatory command of CHANGE POST, the no. 4 cannoneer will take two 15 inch steps to the rear and execute a right face. On the command of execution MARCH, the numbered cannoneers take two left steps, taking the position of the next higher numbered cannoneer. At the same time the no. 4 cannoneer moves at a double time in the rear of the rank to the post of the no. 1 cannoneer. All other members of the section stand fast.
- b. On the preparatory command of SECTION CHANGE POST, the no. 4 cannoneer will take two 15 inch steps to the rear and execute a right face. On the command of execution MARCH, the Gunner, ATC and all numbered cannoneers take two left steps. At the same time the no. 4 cannoneer moves at a double time at the rear of the rank and assumes the position of the Gunner. All other section members stand fast.

1-25.4 To Mount.

The commands are 1. PREPARE TO MOUNT, 2. MOUNT

- a. At the preparatory command, the section moves at double time to the positions shown in drawing B. At the command of execution, all personnel mount as indicated in drawing C. The chief of section, driver, gunner, and no. 1 cannoneer mount the howitzer. Likewise, at the command of execution, the ammunition team chief, the section driver, and nos. 2, 3, and 4 mount the section vehicle. If any members of the section are not to mount, their designation is announced with the caution, STAND FAST, given between the preparatory command and the command of execution. For example, 1. PREPARE TO MOUNT, DRIVERS STAND FAST, 2. MOUNT.
- b. If the command is MOUNT, the section mounts in the manner and order prescribed for the command 1. PREPARE TO MOUNT, 2. MOUNT.

1-25.5 To Dismount.

The commands are 1. PREPARE TO DISMOUNT, 2. DISMOUNT.

- a. At the preparatory command, the personnel mounted in the section vehicle unlatch and open the doors of the vehicle and all members of the section assume positions from which they can dismount promptly. At the command of execution, they dismount and take (at double time) the posts shown in drawing B.
- b. If the command is DISMOUNT, the section dismounts in the manner and order prescribed for the command 1. PREPARE TO DISMOUNT, 2. DISMOUNT.

1-25.6 To Prepare For Action.

At the single command PREPARE FOR ACTION, the section assumes, at double time, the posts shown in drawing D.

The commands are 1. PREPARE TO MOUNT, 2. MOUNT.

1-26 BREAK PERIODS DURING TRAINING OR FIRING.

- a. At Drill. When it is desired to give the personnel a rest from drill or to relieve them temporarily from formation or post, the command FALL OUT is given. The command may be given at any time and means that the section is to remain in the drill area.
- b. When Firing. When firing has been suspended temporarily, but it is desired to have the section remain in the vicinity of the howitzer, the command FALL OUT is given. Men stand clear of the piece to ensure that settings remain undisturbed. During these periods, the chief of section may direct the men to improve the position, replenish ammunition, or do other necessary work.

1-27 *REDUCED CREW DRILL.

It is normal to expect gun crews to be reduced to less than the prescribed TOE strength due to illness, casualties, battery taskings, and the need to rest personnel. To meet the need of these occasions and the need to maintain operations of the section in as orderly a manner as possible, the duties of the individuals of the section have been combined as shown below. The reduced crew drill was developed under the Army Standardization Program and the duties as listed below are to be considered standard procedures.

COS	COS	COS	COS
G	G	G	G
ATC	ATC	ATC	ATC
#1	#1/HD	#1/HD	#1/HD
#2	#2	#2/3/AVD	#2/#3/AVD/#4
#3/AVD	#3/AVD	#4	
#4	#4		
HD			

The section chief will assign specific duties to crewmembers when the number of available personnel falls below the level shown above.

*Standardized procedures for operating with a reduced crew are identified with an asterisk preceding the title.

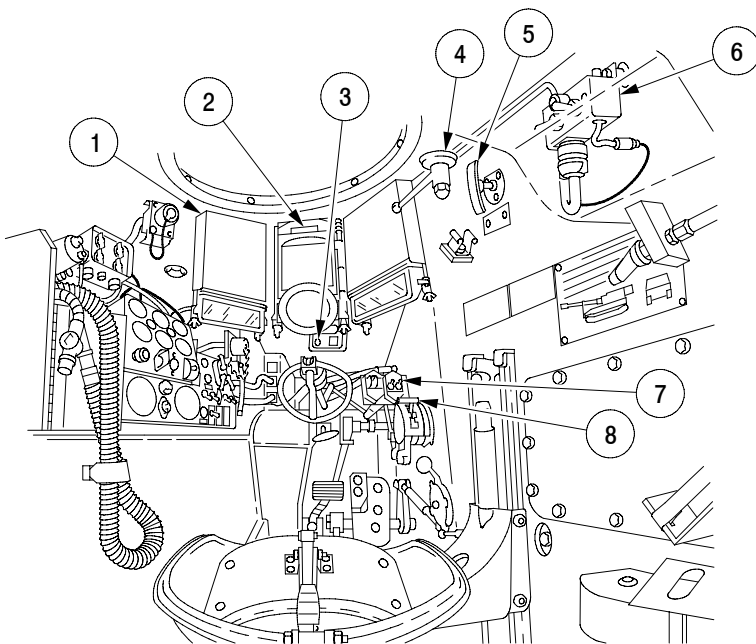
CHAPTER 2 OPERATING INSTRUCTIONS

Section I. DESCRIPTION AND USE OF OPERATOR'S CONTROLS AND INDICATORS

2-1 DRIVER'S CONTROLS AND INDICATORS.

2-1.1 Driver's Controls and Equipment.

Key	Control or Indicator	Function
1	Driver's Periscope	Provides vision to operate vehicle with driver's hatch closed.
2	Driver's Night Vision Device	Provides vision to operate vehicle during night operation.
3	Dome Light Switch	Turns ON/OFF dome light.
4	Hatch Locking Lever	Locks and unlocks driver's hatch.
5	Fuel Shut-Off Handle	Shuts off fuel supply to engine.
6	Winterization Heater Control Box	Controls operation of heater assembly.
7	Travel Lock Control Panel	Controls operation of travel lock.
8	Transmission Shift Selector	Selects driving range for forward and reverse operation.



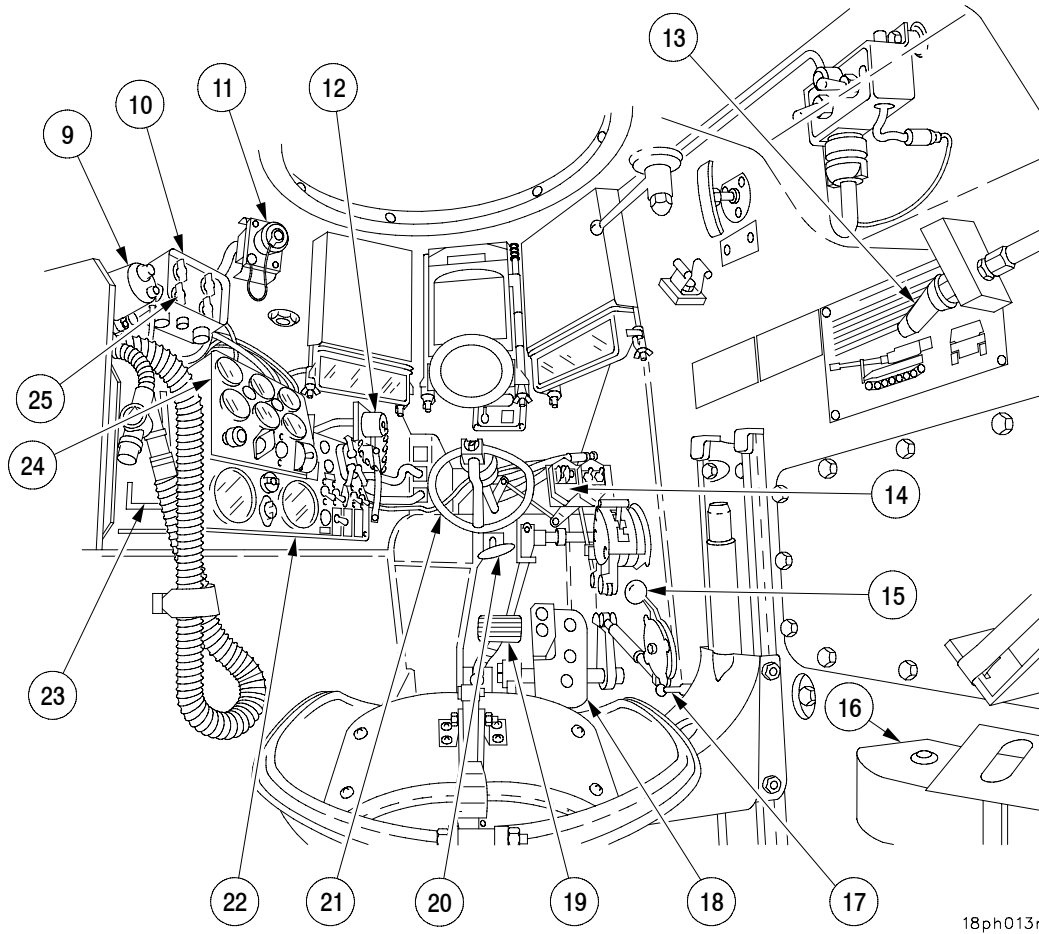
18ph012m

2-1 DRIVER'S CONTROLS AND INDICATORS - CONTINUED**2-1.1 Driver's Controls and Equipment - Continued**

Key	Control or Indicator	Function
9	Heater (M3)	Warms breathable filtered air received at Ventilated Face Piece (VFP).
10	Full Function Crew Station (FFCS)	Part of vehicular intercom system station number 6 for driver.
11	NATO Slave Receptacle	Connects electrical system with that of another vehicle for slave starting operation.
12	Diagnostic Connector Assembly	Facilitates the use of STE-ICE-R to analyze automotive malfunctions in the powerpack.
13	Fire Extinguisher T-handle	Manually discharges engine compartment extinguisher bottles.
14	Voltage Regulator Control Box	Circuit breaker restores power to voltage regulator with engine running and circuit breaker switch in the UP position. Light is lit when regulator is inoperable.
15	Throttle Handle	Keeps engine at desired rpm.
16	Heater Vent Control	Regulates air flow through driver's compartment.
17	Seat Controls	Adjusts various positions of driver's seat.
18	Accelerator Pedal	Foot control for engine speed.
19	Brake Pedal	Activates steering unit brakes to stop vehicle.
20	Brake Handle	Set brakes when parked.
21	Steering Wheel	Turns vehicle left (counterclockwise) or right (clockwise).
22	Instrument Panel	Refer to para 2-1.2.2.
23	Stowage Bracket	Stowage for the AN/VVS-2(V)4 Night Viewer or periscope when not in use.
24	Portable Instrument Panel	Refer to para 2-1.2.1.
25	Intercommunication Control	Used to adjust volume of audio heard in operator's headset.

2-1 DRIVER'S CONTROLS AND INDICATORS - CONTINUED

2-1.1 Driver's Controls and Equipment - Continued



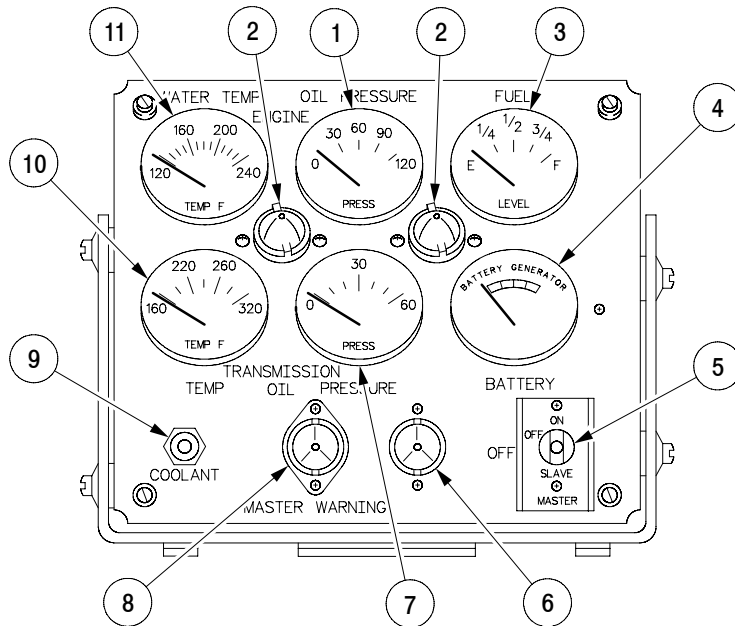
18ph013m

2-1 DRIVER'S CONTROLS AND INDICATORS - CONTINUED

2-1.2 Driver's Instrument Panels.

2-1.2.1 Portable Instrument Panel.

Key	Control or Indicator	Function
1	ENGINE OIL PRESS Gage	Indicates pressure of engine oil in pounds per square inch (psi). Normal operating range is 30 to 50 psi.
2	PANEL Lights (2)	Lights gage panel. Controlled by lever on light switch assembly.
3	FUEL Gage	Indicates the amount of fuel in either tank.
4	BATTERY Indicator	Indicates battery condition. Indicates generator voltage when engine is running.
5	MASTER Switch	Activates the vehicle electrical system.
6	Master Indicator Light	Lights red when MASTER switch is ON.
7	TRANSMISSION OIL PRESS Gage	Indicates pressure of transmission oil in pounds per square inch (psi). Normal operating pressure is 10 to 45 psi.
8	MASTER WARNING Light	Lights red to warn driver of critical condition in engine or transmission.
9	LOW COOLANT Light	Lights red when engine coolant is low.
10	TRANSMISSION OIL TEMP Gage	Indicates temperature of transmission oil in Fahrenheit. Normal operating range is 220 to 240°F.
11	ENGINE WATER TEMP Gage	Indicates temperature of engine coolant in degrees Fahrenheit. Normal operating range is 170 to 185°F.



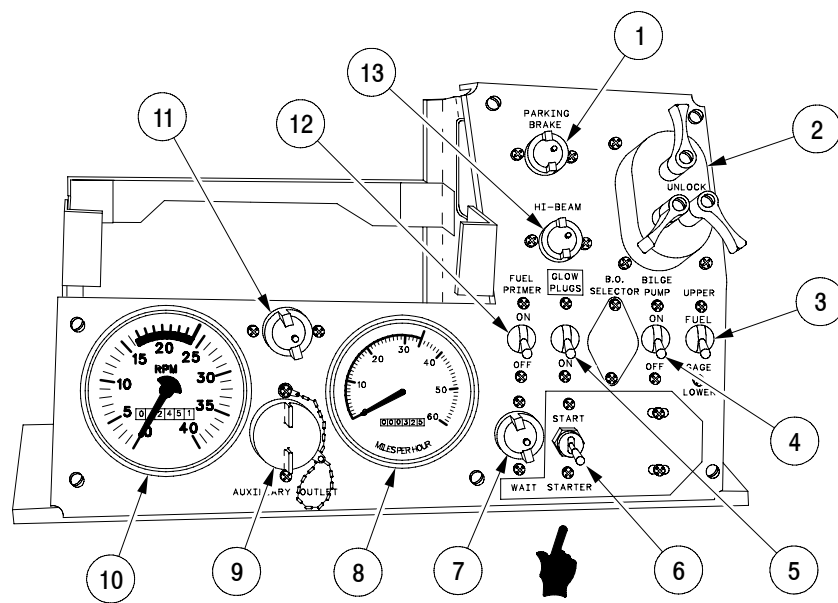
06ph004m

2-1 DRIVER'S CONTROLS AND INDICATORS - CONTINUED

2-1.2 Driver's Instrument Panels - Continued

2-1.2.2 Instrument Panel.

Key	Control or Indicator	Function
1	PARKING BRAKE Light	When lit, indicates parking brake is set, or not fully released.
2	Light Switch Assembly	Controls driving and panel lights.
3	FUEL UPPER/LOWER Switch	Selects upper or lower fuel tanks.
4	BILGE PUMP Switch	Turns power ON/OFF to bilge pump.
5	GLOW PLUGS Switch	Illuminates WAIT light and controls the controller.
6	STARTER Switch	Starts vehicle for operation.
7	GLOW PLUG WAIT Light	When lit, indicates glow plug conditions for starting engine.
8	Speedometer	Indicates vehicle speed in miles per hour (mph).
9	AUXILIARY OUTLET	Provides 24 volt power from electrical system to operate auxiliary electrical equipment.
10	Tachometer/Hourmeter	Indicates engine speed in revolutions per minute (rpm) and operating hours.
11	Panel Light	Lights instrument panel. Controlled by lever on light switch assembly.
12	FUEL PRIMER Switch	Turns power ON/OFF to fuel primer pump.
13	HIGH BEAM Indicator Light	Indicates when service headlights are on high beam.

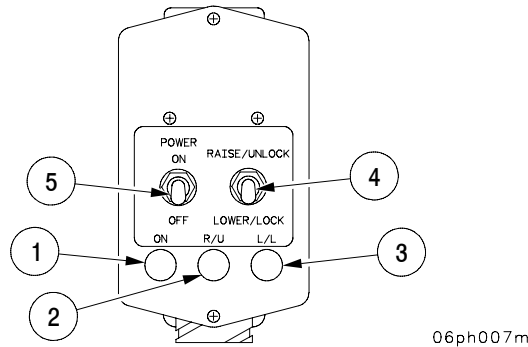


06ph005m

2-1 DRIVER'S CONTROLS AND INDICATORS - CONTINUED

2-1.3 Travel Lock Control Box.

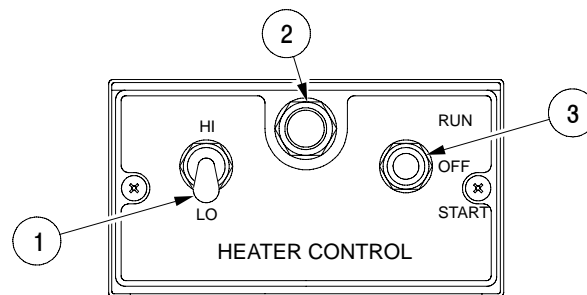
Key	Control or Indicator	Function
1	ON Light	Lights green when power switch is on.
2	R/U Light	Lights green when the extension mode is complete and travel lock is raised to the upright position with the clamping jaw open.
3	L/L Light	Lights green when the actuator retraction mode is complete and the travel lock assembly is lowered to the deck and/or the clamping jaw is locked.
4	RAISE/UNLOCK/LOWER/LOCK Switch	Raises/unlocks, lowers/locks travel lock.
5	POWER ON/OFF Switch	Turns power ON/OFF to travel lock system.



06ph007m

2-1.4 Winterization Heater Control Box.

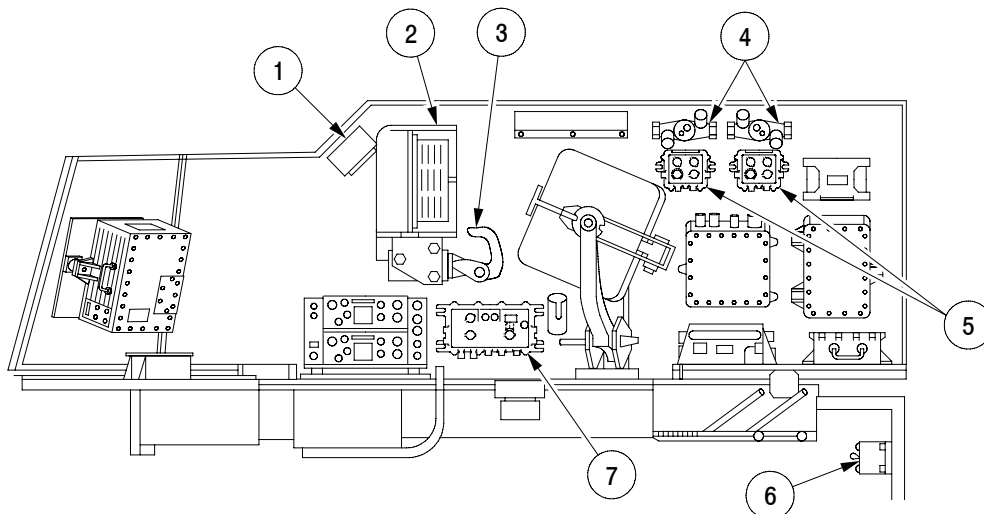
Key	Control or Indicator	Function
1	HI/LO Switch	Selector for HIGH or LOW mode of heater operation.
2	HEATER Light	Lights when heater is operating.
3	START/RUN/OFF Switch	Starts, runs, or turns off heater.



06ph008m

2-2 COS CONTROLS AND INDICATORS.

Key	Control or Indicator	Function
1	Hydraulic Control Box	Refer to para 2-2.2.
2	Display Unit (DU)	Refer to para 2-2.1.
3	Power Control Handle	Controls main gun elevation and traverses cab during power operation.
4	Heater (M3)	Warms breathable filtered air received at Ventilated Face Piece (VFP).
5	Full Function Crew Station (FFCS)	Part of vehicular intercom system. Station number 1, commander and station number 2, cannoneer.
6	Starter Protection Override Switch	Provides capability to override starter protection circuit in emergencies.
7	Master Control Station	Master control for intercom system.

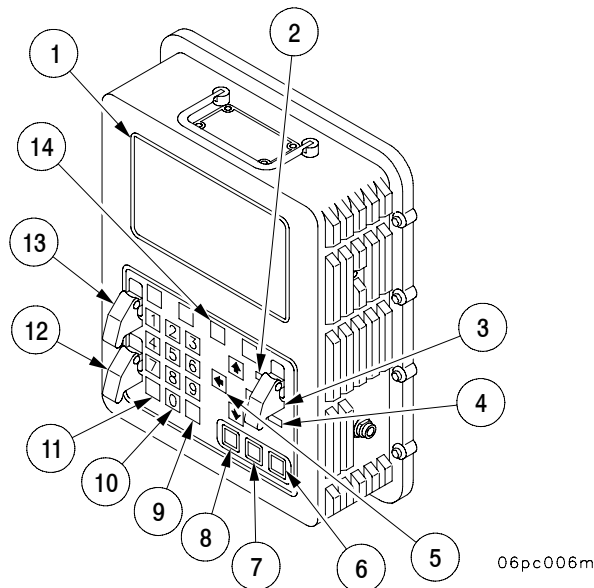


21pc001m

2-2 COS CONTROLS AND INDICATORS - CONTINUED

2-2.1 Display Unit.

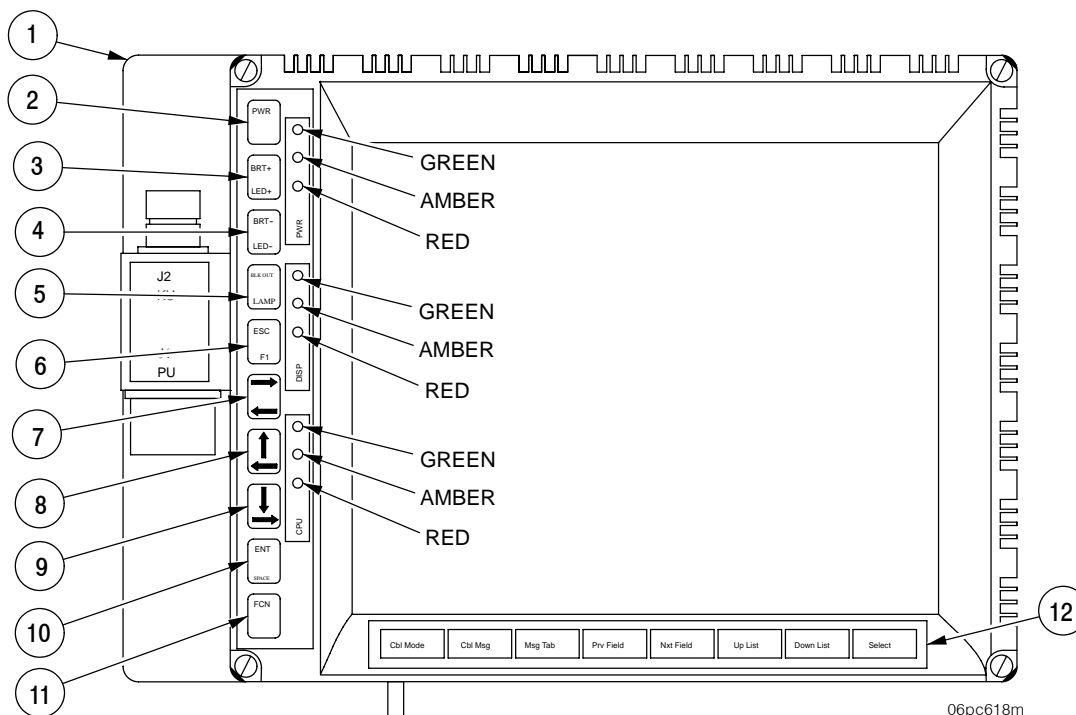
Key	Control or Indicator	Function
1	EL Panel	Displays various menus, operator alerts/warnings, messages, and orders/commands.
2	GUN SERVO Indicator	Lights during AFCS movement of weapon.
3	GUN SERVO Switch	Turns ON/OFF gun servo units.
4	FAULT Indicator	Lights when a failure is detected by internal BIT.
5	ARROW Keys	Moves highlighted area of display on EL panel.
6	STOW Key	Returns gun to a position above the travel lock.
7	LAY Key	Automatically drives gun to Command (CMD) position (azimuth and elevation) when servo is on.
8	LOAD Key	Automatically returns gun to a preselected load elevation angle when gun servo is on.
9	ENT Key	Used to enter data.
10	NUMERICAL Keypad	Used to select numeric data.
11	CLEAR Key	Used to delete numeric data.
12	POWER Switch	Turns ON/OFF AFCS power.
13	TRAINING Switch	Turns ON/OFF training mode.
14	SOFT Keys	Function of keys depends on menu displayed. Lowest display line identifies function.



2-2 COS CONTROLS AND INDICATORS - CONTINUED

2-2.1.1 PDFCS Display Unit (PDU) and PDFCS Keypad.

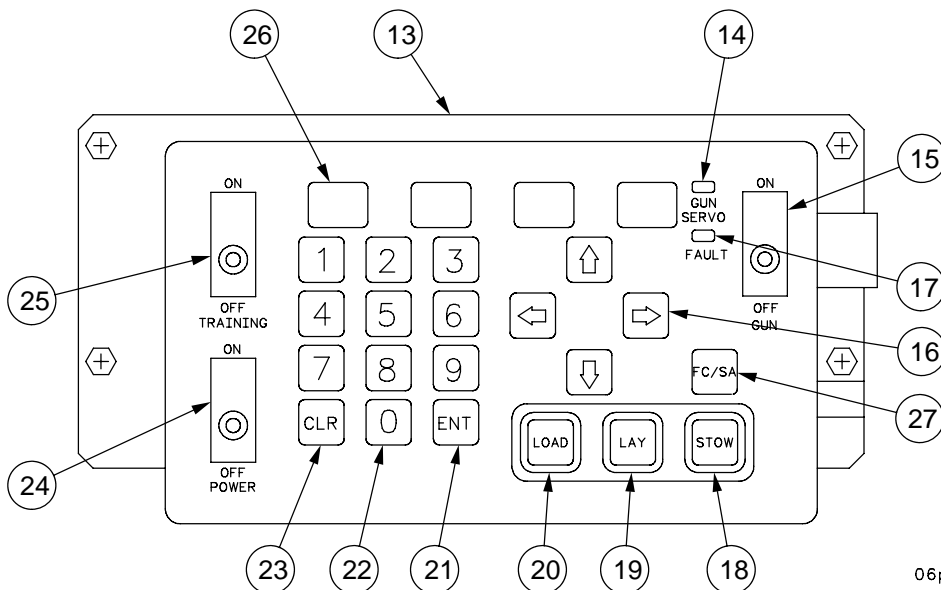
Key	Control or Indicator	Function
1	PDFCS Display Unit	Displays both FC and SA screen. Enter data and commands using the keypad in FC mode. Functions as a touch screen display in SA mode.
2	PWR	Display Unit Power ON/OFF.
3	BRT+ LED+	Increase Display backlight intensity (increase LED brightness)
4	BRT- LED-	Decrease Display backlight intensity (decrease LED brightness)
5	BLK OUT LAMP	Backlight ON/OFF (lamp test)
6	ESC	Escape control (F1 control)
7	→ ←	Right TAB Stops (left tab stops)
8	↑ ←	Tap Up one space (TAB left one space)
9	↓ →	Tap Down one space (TAB right one space)
10	ENT	ENTER (space)
11	FCN	Function
12	Function keys	For use only with FBCB2 software in SA mode.



2-2 COS CONTROLS AND INDICATORS - CONTINUED

2-2.1.1 PDFCS Display Unit (PDU) and PDFCS Keypad - Continued

Key	Control or Indicator	Function
13	PDFCS Keypad	Bears sealed membrane buttons with switch guards protecting the power, training, and gun on/off switches. The PDFCS keypad is used in Fire Control (FC) mode and is inoperative in the Situation Awareness (SA) mode.
14	GUN SERVO Indicator	Lights during PDFCS movement of weapon.
15	GUN SERVO Switch	Turns ON/OFF gun servo units.
16	ARROW Keys	Moves highlighted area of display on PDU.
17	FAULT Indicator	Lights when a failure is detected by internal BIT.
18	STOW Key	Returns gun to a position above the travel lock.
19	LAY Key	Automatically drives gun to Command (CMD) position (azimuth and elevation) when servo is on.
20	LOAD Key	Automatically returns gun to a preselected load elevation angle when gun servo is on.
21	ENT Key	Used to enter data.
22	NUMERICAL Keypad	Used to select numeric data.
23	CLEAR Key	Used to delete numeric data.
24	POWER Switch	Turns ON/OFF PDFCS power.
25	TRAINING Switch	Turns ON/OFF training mode.
26	SOFT Keys	Function of keys depends on menu displayed. Lowest display line identifies function.
27	FC/SA	Switches between Fire Control and Situational Awareness modes.

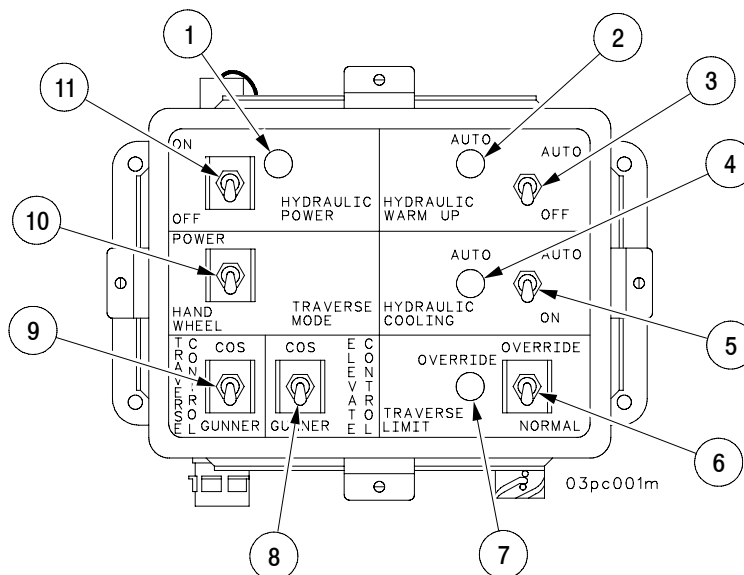


06pc007ma

2-2 COS CONTROLS AND INDICATORS - CONTINUED

2-2.2 Hydraulic Control Box.

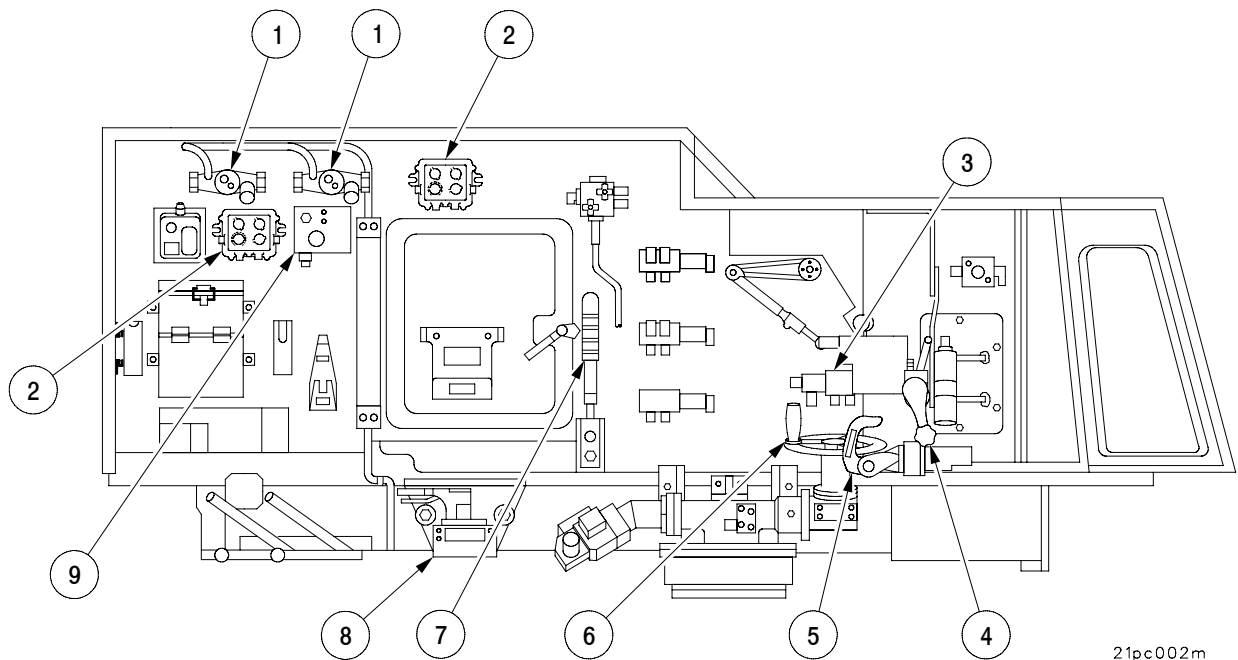
Key	Control or Indicator	Function
1	HYDRAULIC POWER Light	Light is green when POWER switch is in the ON position.
2	HYDRAULIC WARMUP Light	Light is amber when switch is in AUTO position until hydraulic fluid operating temperature is reached.
3	HYDRAULIC WARMUP Switch	In AUTO position, allows hydraulic fluid to warm up to operating temperature.
4	HYDRAULIC COOLING Light	Light is green when fan is operating.
5	HYDRAULIC COOLING Switch	Selects operation mode of hydraulic cooling fan.
6	TRAVERSE LIMIT Switch	Allows COS to override the traverse limit function (in manual hydraulic operation only).
7	TRAVERSE LIMIT Light	Light is red when gun tube is outside of traverse limits (45° left and right of center).
8	COS/GUNNER ELEVATE CONTROL Switch	Allows selection of elevating mode to either the COS or GNR control handle.
9	COS/GUNNER TRAVERSE CONTROL Switch	Allows selection of traversing mode to either the COS or GNR control handle.
10	TRAVERSE MODE Switch	Places traversing operation in the POWER or HANDWHEEL mode.
11	HYDRAULIC POWER ON/OFF Switch	Turns power ON/OFF to hydraulic system.



2-3 GUNNER'S CONTROLS AND INDICATORS.

2-3.1 Gunner's Controls and Equipment.

Key	Control or Indicator	Function
1	Heater (M3)	Warms breathable filtered air received at Ventilation Face Piece (VFP).
2	Full Function Crew Station (FFCS)	Part of vehicular intercom system station number 3 gunner's and station number 4 auxiliary.
3	Hydraulic Clutch Valve	Prevents traverse manual handwheel from turning when operating in power mode.
4	Elevating Hand Pump	Manually elevates and depresses main gun.
5	Power Control Handles	Elevates gun in elevation and traverses cab.
6	Manual Traversing Handwheel	Manually traverses cab.
7	Equilibrator Hand Pump	Used to equilibrate cannon.
8	Cab Traverse Lock	Mechanically locks cab to prevent traversing.
9	MCS Control Panel	Refer to para 2-3.2.

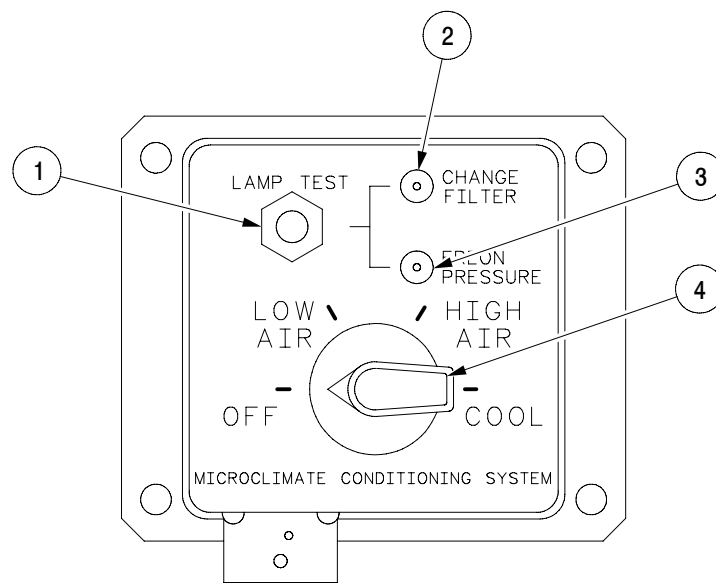


21pc002m

2-3 GUNNER'S CONTROLS AND INDICATORS - CONTINUED

2-3.2 MCS Control Panel.

Key	Control or Indicator	Function
1	LAMP TEST	Tests control panel lights when MASTER switch is on.
2	CHANGE FILTER Light	Indicates when system filters need to be changed.
3	FREON PRESSURE Light	Indicates when system Freon is low.
4	Mode Select Switch	Selects OFF, LOW/HIGH AIR, and COOL operations.

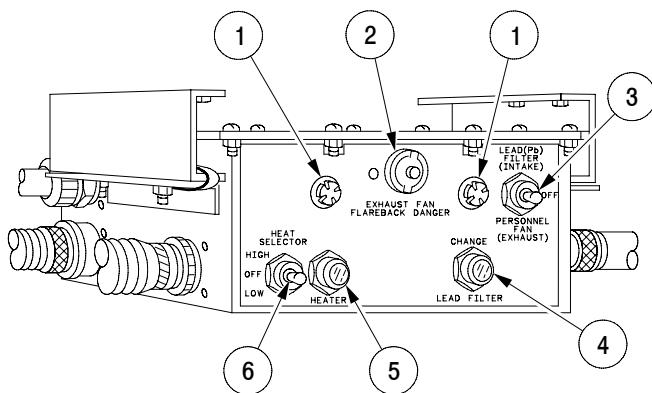


11pc001m

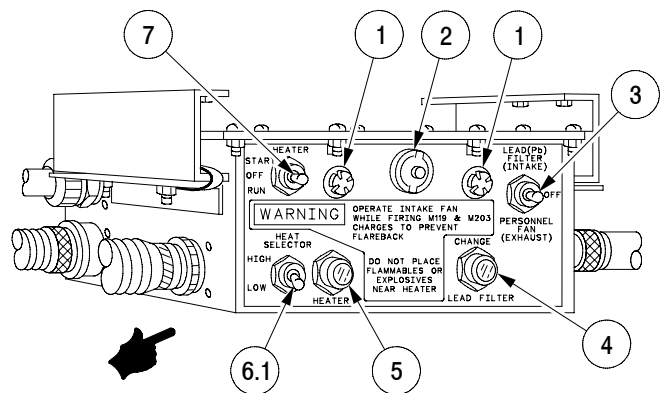
2-3 GUNNER'S CONTROLS AND INDICATORS - CONTINUED

2-3.3 Accessory Control Box.

Key	Control or Indicator	Function
1	Panel Lights	Two lamps illuminate when power to control box is on.
2	EXHAUST Light	Illuminates when power to personnel exhaust fan is ON.
3	Ventilation Fan Selector Switch	Allows for selection of INTAKE, OFF, and EXHAUST modes.
4	LEAD FILTER CHANGE Light	Illuminates when lead filter element should be changed.
5	HEATER Light	Illuminates when heater is operating.
6	HEAT SELECTOR Switch	Allows for selection of HIGH, OFF, and LOW modes. (For vehicles with Accessory Control Box P/N 12268582.)
6.1	HEAT SELECTOR Switch	Allows for selection of HIGH or LOW modes. (For vehicles with Accessory Control Box P/N 12268547.)
7	HEATER Control Switch	Allows for selection of START, OFF, and RUN modes. (For vehicles with Accessory Control Box 12268547.)



Note: P/N 12268582



Note: P/N 12268547

Section II. PREVENTIVE MAINTENANCE CHECKS AND SERVICES (PMCS)

2-4 MAINTENANCE FORMS AND RECORDS.

Every mission begins and ends with the paperwork. There isn't much of it, but you have to keep it up. The forms and records you fill out have several uses. They are a permanent record of the services, repairs, and modifications made on your vehicle. They are reports to unit maintenance and to your commander. They are also checklists that tell you what is wrong with the equipment after its last use, and whether those faults have been repaired. For information on forms and records, see DA PAM 750-8.

2-5 PREVENTIVE MAINTENANCE CHECKS AND SERVICES.

2-5.1 General.

Safe and efficient howitzer operation requires regular checks of equipment. When performing PMCS, the crew discovers equipment malfunctions or performs routine maintenance for upkeep of the howitzer's systems. Malfunctions require corrective action to avoid equipment failure or injury to personnel. The suspension system requires special attention. Make sure that all lubrication tasks assigned to the crew in Appendix I are performed.

2-5.2 Warnings and Cautions.

Always observe the WARNINGS and CAUTIONS appearing in your PMCS table. Warnings and cautions appear before applicable procedures. You must observe these WARNINGS and CAUTIONS to prevent serious injury to yourself and others or prevent your equipment from being damaged.

2-5.3 Explanation of Table Entries.

- a. Item Number column. Numbers in this column are for reference. When completing DA Form 2404 or DA Form 5988-E (Equipment Inspection and Maintenance Worksheet), include the item number for the check/service indicating a fault. Item numbers also appear in the order that you must do checks and services for the intervals listed.
- b. Interval column. This column tells you when you must do the procedure listed in the procedure column. BEFORE procedures must be done before you operate or use the equipment for its intended mission. DURING procedures must be done during the time you are operating or using the equipment for its intended mission. AFTER procedures must be done immediately after you have operated or used your equipment.
- c. Location, Item to Check/Service column. This column provides the location and the item to be checked or serviced.
- d. Procedure column. This column gives the procedure you must do to check or service the item listed in the Check/Service column to know if the equipment is ready or available for its intended mission or for operation. You must do the procedure at the time stated in the interval column.
- e. Not Fully Mission Capable If: column. Information in this column tells you what faults will keep your equipment from being capable of performing its primary mission. If you make check and service procedures that show fault listed in this column, do not operate the equipment. Follow standard operating procedures for maintaining the equipment or reporting equipment failure.

2-5 PREVENTIVE MAINTENANCE CHECKS AND SERVICES - CONTINUED

2-5.4 Other Table Entries.

Be sure to observe all special information and notes that appear in your table.

2-5.5 Guidelines to Keep in Mind While Performing PMCS.

- a. Always do PREVENTIVE MAINTENANCE in the same order so it gets to be a habit. Once you've had some practice, you'll spot a problem in a hurry.
- b. When performing PREVENTIVE MAINTENANCE, take along all tools needed to make the checks. Always take along clean wiping rags (item 37, Appx D).

WARNING

Dry-cleaning solvent (MIL-PRF-680), used to clean parts, is toxic and flammable. Wear protective goggles and gloves and use only in a well-ventilated area. Avoid contact with skin, eyes, and clothes. Do not breathe vapors. Do not use near open flame or excessive heat. Do not smoke when using solvent. Failure to do so could cause SERIOUS INJURY. If you become dizzy while using dry-cleaning solvent, get fresh air immediately, and if necessary, get medical attention. If contact with skin or clothes is made, flush thoroughly with water. If the solvent contacts your eyes, wash them with water immediately and obtain medical aid (ref. FM 4-25.11).

WARNING

When inspecting or working with the AFCS or PDFCS DU, if screens appear to be cracked or broken or you suspect that mercury is escaping or has escaped, avoid breathing the vapors, avoid contact with eyes, skin or clothes and exit vehicle as fast as possible. Upon exiting the vehicle, immediately contact proper authorities so that spillage can be removed. Failure to comply could result in personnel injury from mercury exposure.

2-5 PREVENTIVE MAINTENANCE CHECKS AND SERVICES - CONTINUED

2-5.5 Guidelines to Keep in Mind While Performing PMCS - Continued



- Prior to using water to clean the interior of the vehicle, make sure that PDFCS and AFCS DU screens are covered with plastic to avoid direct water and spray. If screens are cracked and mercury has escaped, it will spread to other places and make clean-up more difficult and create a health hazard.
 - Prior to using water to clean the interior of the vehicle make sure that the removable hard disk drive cartridge access door is closed and all cables are properly connected or cable connectors are covered with caps. Failure to comply could result in equipment damage.
- c. Keep the vehicle and individual components clean. Dirt, grease, oil, and debris may conceal a serious problem. Clean components as needed. Use dry-cleaning solvent (item 15, Appx D) on all metal surfaces. Use mild soap and water to clean rubber or plastic parts.
- d. Check all attaching hardware for looseness. Tighten loose hardware before operating vehicle. For hardware that requires staking, lockwires, or nylon fasteners, notify unit maintenance.
- e. Look for loose or chipped paint, rust, or gaps where parts are welded together. Report all bad welds to unit maintenance for repair before operating the vehicle.
- f. Look for cracked or broken electrical insulation, bare wires, and loose or broken connectors. Tighten loose connectors and make sure wires are in good shape before operating vehicle. Report all cracked or broken electrical insulation and connectors to unit maintenance.
- g. Look for fluid leaks from hoses and fittings. Check for wear and damage to hoses and fluid lines. Be sure clamps and fittings are tight. Report all stains, wet spots, and leaks to unit maintenance.
- h. Check all fluids for contamination. If contamination such as rust, water, or sediment is found in the fluid, notify unit maintenance before operating vehicle.
- i. Perform PMCS more often to compensate for continuous operation and abnormal conditions. High or low temperatures, prolonged periods of high rate operation, continued operation in sand, dust or exposure to moisture or salt may cause excessive wear or damage if not maintained.

2-5 PREVENTIVE MAINTENANCE CHECKS AND SERVICES - CONTINUED

2-5.6 Classification of Fluid Leaks.

The following definition concerns types/classes of fluid leakage. Each crewmember must be familiar with these definitions in order to determine whether or not the vehicle is mission capable.



Equipment operation is allowable with minor leakage (Class I or II). Consideration must be given to the fluid capacity in the item/system being checked/inspected. When in doubt, notify chief of section. When operating with Class I or Class II leaks, continue to check fluid levels as required in your PMCS. Class III leaks should be reported to chief of section or unit maintenance.

- Class I Seepage of fluid as indicated by wetness or discoloration not great enough to form drops.
- Class II Leakage of fluid great enough to form drops but not enough to cause drops to drip from item being checked/inspected.
- Class III Leakage of fluid great enough to form drops that fall from the item being checked/inspected.

2-5.7 Criteria for 24-hour Continuous Operation.

Refer to the following leakage criteria when operating in high stress continuous operational environment. If leaks are detected, maintain frequent monitoring and add fluid as required. Keep a record of fluid added.

Leakage Criteria for 24-Hour Period

	Stop Vehicle Operations	Notify Unit Maintenance Repair as soon as mission allows	Repair at next Scheduled Maintenance
Hydraulic Oil (Hydraulic compartment)	3 qt	1 to 3 qt	1 qt
Coolant	2 gal.	1 to 2 gal.	1 gal.

TABLE 2-1. PREVENTIVE MAINTENANCE CHECKS AND SERVICES FOR HOWITZER, SELF-PROPELLED, M109A6

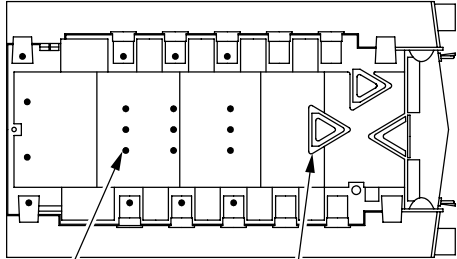
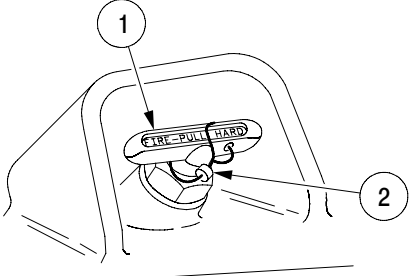
Item No.	Interval	Location	Crewmember Procedures	Not Fully Mission Capable If:
		Item To Check/Service		
		HULL EXTERIOR		
1	Before	Vehicle	<p>NOTE</p> <p>Vehicle should be parked on level ground if possible for fluid level checks.</p> <p><u>Driver</u></p> <p>Walk around vehicle. Check for any obvious fluid leakage, missing items, or damage to equipment.</p>	Any Class III leak found. Vehicle has damage or is missing items that would make operation hazardous.
2	Before	Subfloor Drains	<p><u>Driver</u></p> <p>Check that 19 drain plugs and four access plates are present.</p> <p>BOTTOM VIEW OF VEHICLE</p> <p>FORWARD →</p>  <p>DRAIN PLUG ACCESS PLATE</p> <p>18ph014m</p>	
3	Before	External Fire Extinguisher Handle	<p><u>Driver</u></p> <p>Check to ensure handle (1) is properly seated and wire seal (2) is laced and sealed.</p>  <p>76ph001m</p>	Wire seal (2) broken, missing, or extinguisher handle (1) is pulled.

TABLE 2-1. PREVENTIVE MAINTENANCE CHECKS AND SERVICES FOR HOWITZER, SELF-PROPELLED, M109A6 - CONTINUED

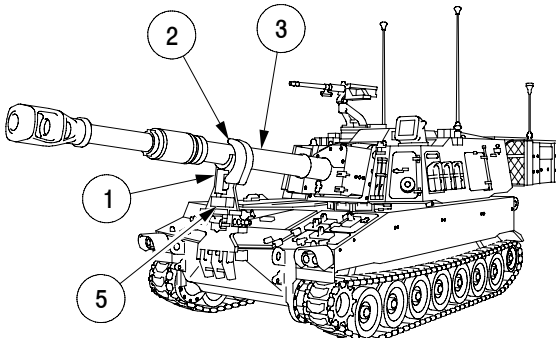
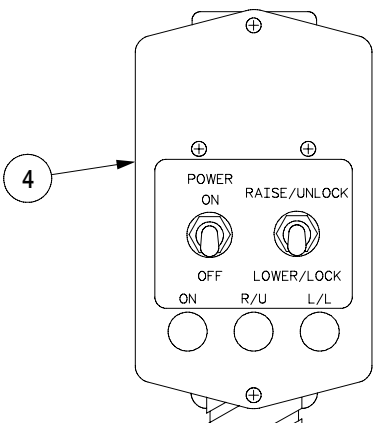
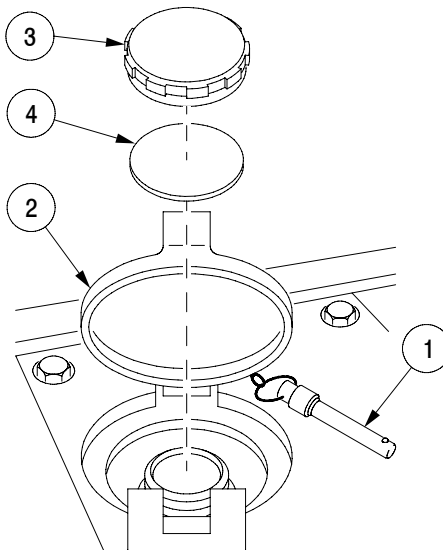
Item No.	Interval	Location	Crewmember Procedures	Not Fully Mission Capable If:
		Item To Check/Service		
4	Before	Gun Tube Travel Lock	<p><u>Driver</u></p>   <p>06ph006m</p> <p>Check travel lock (1) to ensure that jaw (2) is fully clamped and properly positioned on gun tube (3). Check electrical connections at travel lock control box (4) and travel lock actuator (5). Tighten connectors if necessary. Check travel lock for proper operation:</p> <p style="text-align: center;">CAUTION</p> <p>During icing conditions, ensure that travel lock is not frozen in position before attempting to move it.</p> <p>Check operation in power mode (para 2-8.19.1).</p> <p>If travel lock does not operate in power mode, check operation in manual mode (para 2-8.19.2).</p>	<p>Gun tube cannot be secured or released (by manual mode).</p>

TABLE 2-1. PREVENTIVE MAINTENANCE CHECKS AND SERVICES FOR HOWITZER, SELF-PROPELLED, M109A6 - CONTINUED

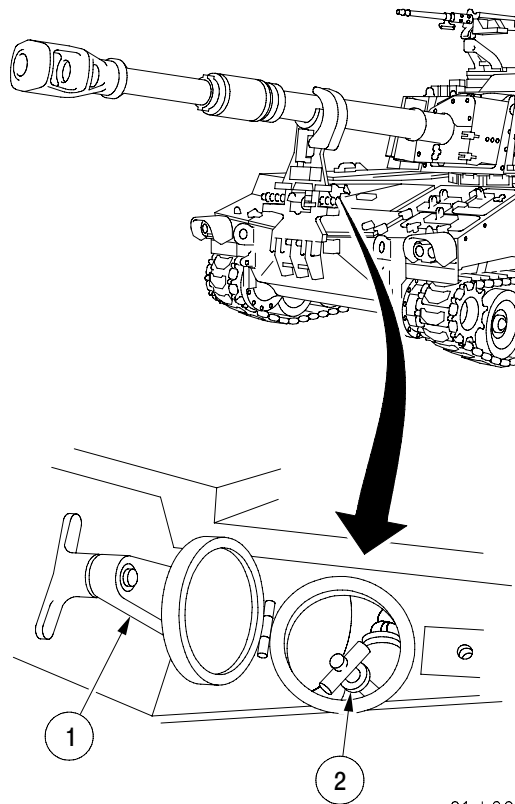
Item No.	Interval	Location	Crewmember Procedures	Not Fully Mission Capable If:
		Item To Check/Service		
5	Before	Cooling System	<p><u>Driver</u></p> <div style="text-align: center;"> <div style="border: 2px solid black; padding: 5px; width: fit-content; margin: 0 auto;">WARNING</div> <p>Do not remove radiator cap while engine is hot. Hot coolant can cause injury.</p>  <p style="text-align: right; font-size: small;">05ph002m</p> </div> <p>Remove quick-release pin (1), open access cover (2), and remove radiator cap (3). Check radiator coolant level; fluid should be at the filler neck top. Check for serviceability of radiator cap (3), gasket (4), and quick-release pin (1). If coolant level is low, fill to proper level (para 3-7.1).</p>	Cap is missing.

**TABLE 2-1. PREVENTIVE MAINTENANCE CHECKS AND SERVICES FOR
HOWITZER, SELF-PROPELLED, M109A6 - CONTINUED**

Item No.	Interval	Location	<u>Crewmember Procedures</u>	Not Fully Mission Capable If:
		Item To Check/Service		
6	Deleted			

TABLE 2-1. PREVENTIVE MAINTENANCE CHECKS AND SERVICES FOR HOWITZER, SELF-PROPELLED, M109A6 - CONTINUED

Item No.	Interval	Location	Crewmember Procedures	Not Fully Mission Capable If:
		Item To Check/Service		
7	Before	Engine Oil Level	<p>NOTE</p> <p>Check engine oil level with vehicle parked on level ground, if possible.</p> <p><u>Driver</u></p> <p>Oil level will take approximately 20 minutes to stabilize in engine crankcase. After 20 minutes, check to see that oil level is not below full marks. If required, add oil (Appx I).</p>	



01ph004m

**TABLE 2-1. PREVENTIVE MAINTENANCE CHECKS AND SERVICES FOR
HOWITZER, SELF-PROPELLED, M109A6 - CONTINUED**

Item No.	Interval	Location	<u>Crewmember Procedures</u>	Not Fully Mission Capable If:
		Item To Check/Service		
8	Deleted			

**TABLE 2-1. PREVENTIVE MAINTENANCE CHECKS AND SERVICES FOR
HOWITZER, SELF-PROPELLED, M109A6 - CONTINUED - CONTINUED**

Item No.	Interval	Location	<u>Crewmember Procedures</u>	Not Fully Mission Capable If:
		Item To Check/Service		
9	Deleted			
10	Deleted			

TABLE 2-1. PREVENTIVE MAINTENANCE CHECKS AND SERVICES FOR HOWITZER, SELF-PROPELLED, M109A6 - CONTINUED - CONTINUED

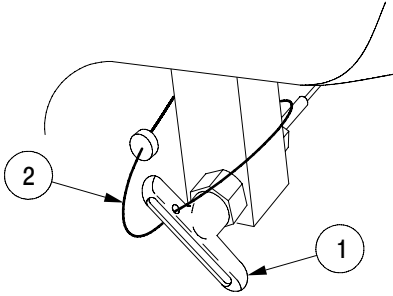
Item No.	Interval	Location		Crewmember Procedures	Not Fully Mission Capable If:
		Item To Check/Service			
11	Before			<p><u>Driver</u></p> <p>Check to ensure handle (1) is properly seated and wire seal (2) is laced and sealed.</p>  <p style="text-align: right;">76ph002m</p>	Wire seal (2) broken missing, or handle (1) is pulled.
12	Deleted				

TABLE 2-1. PREVENTIVE MAINTENANCE CHECKS AND SERVICES FOR HOWITZER, SELF-PROPELLED, M109A6 - CONTINUED

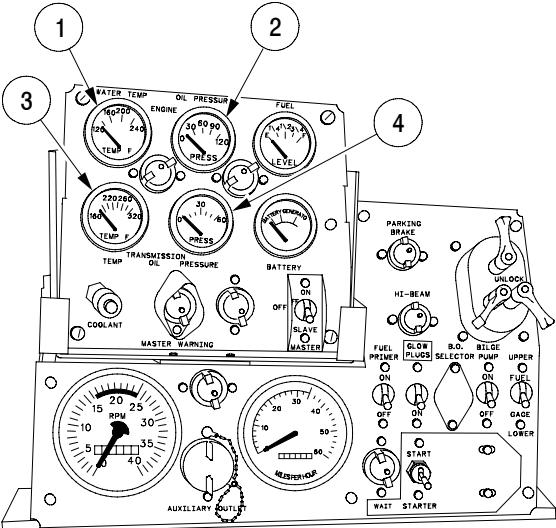
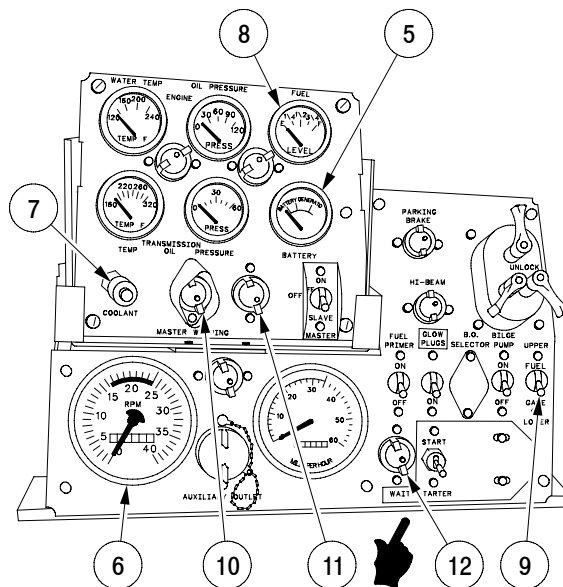
Item No.	Interval	Location	<u>Crewmember</u> <u>Procedures</u>	Not Fully Mission Capable If:
		Item To Check/Service		
13	Before	Instruments and Gages	<p align="center">NOTE</p> <p>Engine may take longer to warm up depending on local climate conditions.</p> <p><u>Driver</u> Start engine per starting instructions (para 2-8.2). Check instruments and lights for normal indication.</p> <p>a. Engine water temperature gage (1): 170° - 185°F is normal.</p> <p align="center">NOTE</p> <p>Notify unit maintenance if operating outside of normal range.</p> <p>b. Engine oil pressure gage (2): Minimum of 5 psi at idle (650 rpms), 30-50 psi is normal at 1800 rpms, and 50-70 psi at 2100 rpm (maximum is 70 psi).</p> <p>c. Transmission oil temperature gage (3): 220°F-240°F is normal. Transmission oil temperature may not reach normal operating range while idling.</p> <p>d. Transmission oil pressure gage (4): 10-45 psi is normal.</p>  <p align="right">06ph003mc</p>	Any one of the gages 1 thru 6, or 8 is missing or not working.

TABLE 2-1. PREVENTIVE MAINTENANCE CHECKS AND SERVICES FOR HOWITZER, SELF-PROPELLED, M109A6 - CONTINUED

Item No.	Interval	Location	Crewmember Procedures	Not Fully Mission Capable If:
		Item To Check/Service		
13 Cont	Before	Instruments and Gages	<p>e. Battery-generator indicator gage (5): green zone (charging).</p> <p>f. Tachometer (6): should operate without excessive fluctuation or unusual noises.</p> <p>g. Low coolant level indicator (7): Press-to-test for proper operation.</p> <p>h. Fuel gage (8): indicates fuel quantity available in either tank. Use panel switch (9) to select tank.</p> <p>i. Master warning indicator lamp (10): Be sure lamp goes off within 15 seconds after engine starts.</p> <p>j. Master indicator light (11): is illuminated when MASTER switch is ON.</p> <p>k. Glow plug WAIT lamp (12): is illuminated by GLOW PLUG switch and controller (para 2-8.2).</p>	<p>Any one of the lights (7) or (11) missing or not working.</p> <p>Indicator lamp (10) stays on more than 15 seconds after engine starts.</p>



06ph003mb

TABLE 2-1. PREVENTIVE MAINTENANCE CHECKS AND SERVICES FOR HOWITZER, SELF-PROPELLED, M109A6 - CONTINUED

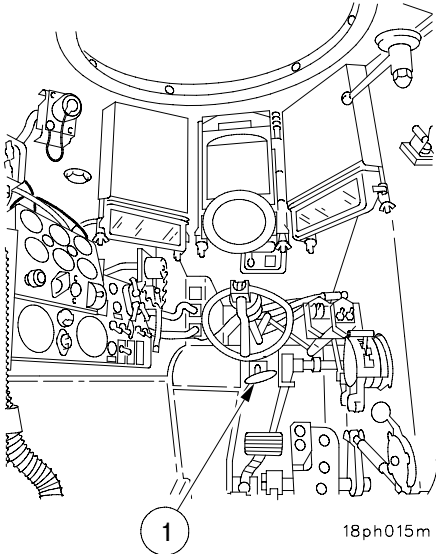
Item No.	Interval	Location	<u>Crewmember Procedures</u>	Not Fully Mission Capable If:
		Item To Check/Service		
			<div style="border: 2px solid black; padding: 5px; display: inline-block;">WARNING</div> <p>Before operating vehicle, make sure all personnel are a safe distance from vehicle.</p>	
14	Before	Steering Wheel	<u>Driver</u> Turn steering wheel from left to right and feel for binding or looseness.	Any binding or looseness.
15	Before	Brakes	<u>Driver</u> Move vehicle about 2 feet (0.61 m) and check brakes for proper operation.	Brakes bind or do not stop vehicle. Pedal sticks.
16	Before	Parking Brakes	<u>Driver</u> Check for proper operation of parking brake (1) using manual control handle.	Parking brake does not hold.
			 <p style="text-align: right; font-size: small;">18ph015m</p>	
17	Before	DA Form 2408-4	<u>Chief of Section</u> Check DA Form 2408-4 to ensure that cannon has been borescoped within the last 180 days or EFC rounds have not exceeded 2650.	Not borescoped within last 180 days or EFC rounds exceeds 2650.

TABLE 2-1. PREVENTIVE MAINTENANCE CHECKS AND SERVICES FOR HOWITZER, SELF-PROPELLED, M109A6 - CONTINUED

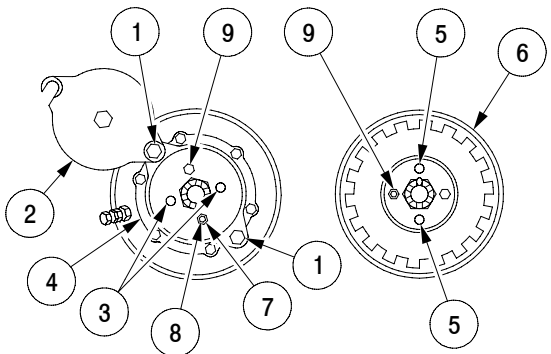
Item No.	Interval	Location	Crewmember Procedures	Not Fully Mission Capable If:
		Item To Check/Service		
18	Before	CAB	<p><u>Chief of Section</u></p> <div style="border: 2px solid black; padding: 5px; text-align: center; margin: 10px 0;">WARNING</div> <p>Do not attempt to remove plug completely. Oil in recuperator is under high pressure.</p> <div style="border: 1px dashed black; padding: 5px; text-align: center; margin: 10px 0;">CAUTION</div> <ul style="list-style-type: none"> If plug is loosened for draining fluid, check for leaks after tightening cover. To prevent damage to gasket or cover, loosen screws before rotating cover. To prevent damage to cover and to keep dirt out of recuperator, rotate cover closed after checking guide pins, and tighten screws. <p style="text-align: center;">NOTE</p> <p>During firing, seepage of hydraulic oil from recuperator is normal.</p> <p>Before firing, loosen screws (1) and rotate cover (2). Check pins (3) in recuperator (4) from outside of vehicle, and check pins (5) in recuperator head (6) from inside vehicle. Pins must extend from 1/4 to 3/4 in. (0.635 to 1.905 cm). If pins extend beyond 3/4 in. (1.905 cm), fill recuperator (4) by removing cap (7) from valve (8). Add hydraulic fluid (OHT) per Appendix I until pins extend 1/4 in. (0.635 cm). If pins extend less than 1/4 in. (0.635 cm), loosen plug (9) and drain fluid until pins (5) extend 1/4 in. (0.635 cm). Rotate cover (2) closed and tighten screws (1).</p>  <p style="text-align: right; font-size: small;">02pc002m</p>	<p>Pins cannot be brought into specified range.</p>
		Recuperator		

TABLE 2-1. PREVENTIVE MAINTENANCE CHECKS AND SERVICES FOR HOWITZER, SELF-PROPELLED, M109A6 - CONTINUED

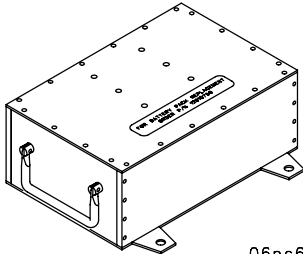
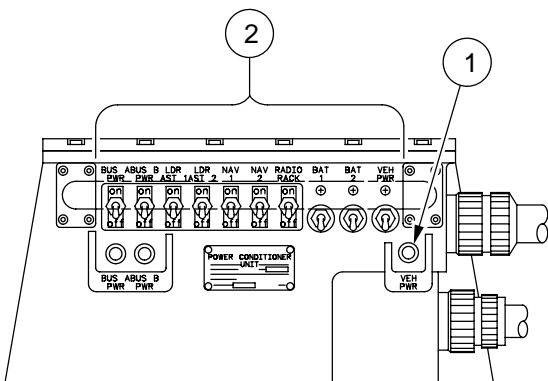
Item No.	Interval	Location	Crewmember Procedures	Not Fully Mission Capable If:
		Item To Check/Service		
19	Before	AFCS/PDFCS Backup Battery Boxes	<p><u>Chief of Section</u></p> <p>Check boxes for corrosion and damage. If leaking, notify unit maintenance right away.</p>  <p>06pc619m</p>	There is any evidence of a battery leak.
20	Before	AFCS Power Conditioner Unit (PCU)	<p><u>Chief of Section</u></p> <ol style="list-style-type: none"> Place vehicle MASTER switch ON. Check that VEH PWR light (1) is lit on PCU. If not, check that all circuit breakers (2) are in ON position (on PCU). If not, attempt to place circuit breakers (2) ON. If unable, notify unit maintenance.  <p>06pc005m</p>	VEH PWR light is not lit.

TABLE 2-1. PREVENTIVE MAINTENANCE CHECKS AND SERVICES FOR HOWITZER, SELF-PROPELLED, M109A6 - CONTINUED

Item No.	Interval	Location	<u>Crewmember Procedures</u>	Not Fully Mission Capable If:
		Item To Check/Service		
20.1	Before	PDFCS Power Conditioner Unit (PCU-2)	<p><u>Chief of Section</u></p> <ol style="list-style-type: none"> Place vehicle MASTER switch ON. Check that VEH PWR light (1) is lit on PCU-2. If not, check that all circuit breakers (2) are in ON position (on PCU-2). If not, attempt to place circuit breakers (2) ON. If unable, notify unit maintenance. 	VEH PWR light is not lit.

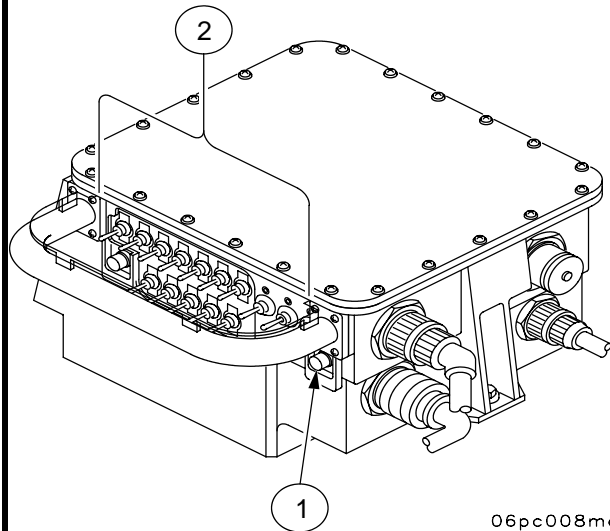


TABLE 2-1. PREVENTIVE MAINTENANCE CHECKS AND SERVICES FOR HOWITZER, SELF-PROPELLED, M109A6 - CONTINUED

Item No.	Interval	Location	<u>Crewmember Procedures</u>	Not Fully Mission Capable If:
		Item To Check/Service		
21	Before	AFCS Self-Test	<u>Chief of Section</u> <div style="border: 2px solid black; padding: 5px; text-align: center; width: fit-content; margin: 10px auto;">WARNING</div> <p>When inspecting or working with the AFCS or PDFCS DU, if screens appear to be cracked or broken or you suspect that mercury is escaping or has escaped, avoid breathing the vapors, avoid contact with eyes, skin or clothes and exit vehicle as fast as possible. Upon exiting the vehicle, immediately contact proper authorities so that spillage can be removed. Failure to comply could result in personnel injury from mercury exposure.</p> <p>a. Inspect DU (1) screen for cracks, breaks or any indication of leaking mercury.</p>	DU screen is cracked broken or any indication of leaking mercury.

TABLE 2-1. PREVENTIVE MAINTENANCE CHECKS AND SERVICES FOR HOWITZER, SELF-PROPELLED, M109A6 - CONTINUED

Item No.	Interval	Location	Crewmember Procedures	Not Fully Mission Capable If:
		Item To Check/Service		
21 (cont)	Before	AFCS Self-Test	<p><u>Chief of Section</u></p> <ul style="list-style-type: none"> b. Place vehicle MASTER switch ON. c. Ensure PCU switches are ON. d. Power up DU (1) and monitor self-test on display panel (2) (para 2-12.1.1). Check FAULT indicator lamp (3). If it does not go off after all checks are completed, read EL panel (2) for indicated fault and perform following: <ul style="list-style-type: none"> (1) Check that power green lamps are lit on all AFCS LRUs. (2) Verify that AFCS harness connections are tight. Hand tighten if necessary. e. Turn vehicle MASTER switch OFF. f. Ensure warning message ON AUX POWER START VEHICLE, ACK appears on DU as this indicates backup batteries are operational. g. Turn vehicle MASTER switch back ON. h. Ensure warning message VEHICLE AND AUX POWER OK, appears on DU as this indicates vehicle power is operational. 	<p>AFCS will not power up. AFCS shuts down when vehicle MASTER power switch is turned OFF.</p> <p>Power-up status screen shows any of the following as out:</p> <p>DCU COMMO NAV WPN 1553 PCU</p>

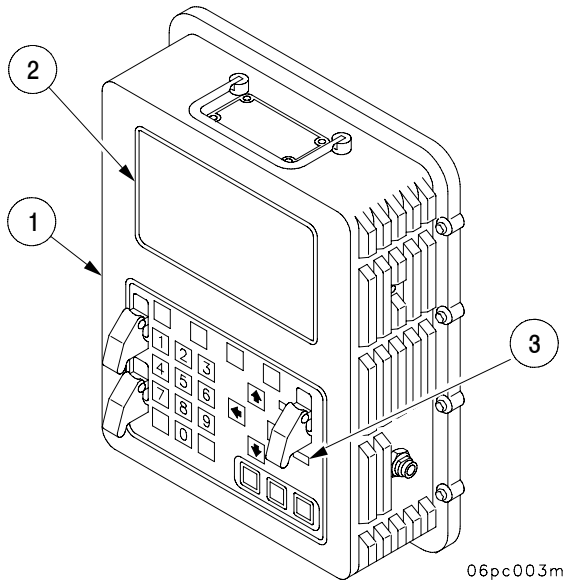
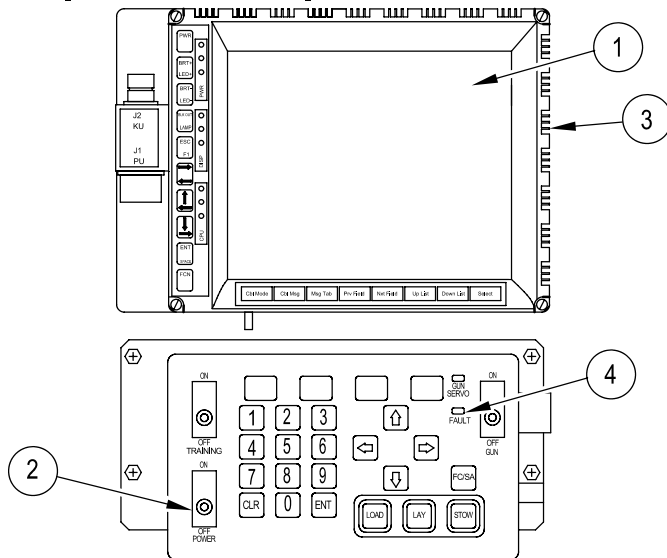


TABLE 2-1. PREVENTIVE MAINTENANCE CHECKS AND SERVICES FOR HOWITZER, SELF-PROPELLED, M109A6 - CONTINUED

Item No.	Interval	Location	<u>Crewmember Procedures</u>	Not Fully Mission Capable If:
		Item To Check/Service		
21.1	Before	PDFCS Self-Test	<u>Chief of Section</u> <div style="border: 2px solid black; padding: 5px; text-align: center; width: fit-content; margin: 10px auto;">WARNING</div> <p>When inspecting or working with the AFCS or PDFCS DU, if screens appear to be cracked or broken or you suspect that mercury is escaping or has escaped, avoid breathing the vapors, avoid contact with eyes, skin or clothes and exit vehicle as fast as possible. Upon exiting the vehicle, immediately contact proper authorities so that spillage can be removed. Failure to comply could result in personnel injury from mercury exposure.</p> <p>a. Inspect PDU screen (1) for cracks, breaks or any indication of leaking mercury.</p>	PDU screen is cracked broken or any indication of leaking mercury.

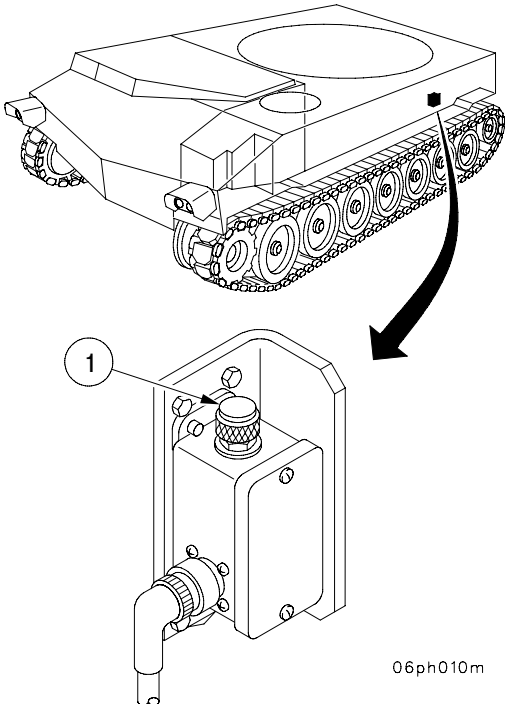
TABLE 2-1. PREVENTIVE MAINTENANCE CHECKS AND SERVICES FOR HOWITZER, SELF-PROPELLED, M109A6 - CONTINUED

Item No.	Interval	Location	Crewmember Procedures	Not Fully Mission Capable If:
		Item To Check/Service		
21.1 (cont)	Before	PDFCS Self-Test	<p><u>Chief of Section</u></p> <p>b. Place vehicle MASTER switch ON.</p> <p>c. Ensure PCU-2 switches are ON.</p> <p>d. Power up PDFCS (2) and monitor self-test on PDU (3) (para 2-15B.1). Check FAULT indicator lamp (4). If it does not go off after all checks are completed, read PDU (3) for indicated fault and perform following:</p> <p>(1) Check that power green lamps are lit on all PDFCS LRUs.</p> <p>(2) Verify that PDFCS harness connections are tight. Hand tighten if necessary.</p> <p>e. Turn vehicle MASTER switch OFF.</p> <p>f. Ensure warning message ON AUX POWER START VEHICLE, ACK appears on PDU as this indicates backup batteries are operational.</p> <p>g. Turn vehicle MASTER switch back ON.</p> <p>h. Ensure warning message VEHICLE AND AUX POWER OK, ACK appears on PDU as this indicates vehicle power is operational.</p>	<p>PDFCS will not power up.</p> <p>PDFCS shuts down when vehicle MASTER power switch is turned OFF.</p> <p>PDFCS status screen shows any of the following as out:</p> <p>PDCU NAV WPN PCU-2 Keypad TCIM</p>



06pc620m

TABLE 2-1. PREVENTIVE MAINTENANCE CHECKS AND SERVICES FOR HOWITZER, SELF-PROPELLED, M109A6 - CONTINUED

Item No.	Interval	Location	Crewmember Procedures	Not Fully Mission Capable If:
		Item To Check/Service		
22	Before	Intercommunication Systems	<p><u>Chief of Section</u></p> <p>Check all headsets, controls, and indicators for proper operation (para 2-22.4).</p>	COS or Driver intercom OUT.
23	Before	Communication Equipment	<p><u>Chief of Section</u></p> <p>Check radio equipment for proper operation and damage. See TM 11-5820-890-10, TM 11-5820-890-10-1, or TM 11-5820-890-10-2.</p>	If both radios are non-operational.
24	Before	Crew Compartment Warning Light	<p><u>Chief of Section</u></p> <p style="text-align: center;">NOTE</p> <p>When warning light comes on during operation, it indicates a problem. Light will normally come on when MASTER switch is turned ON and engine is not running.</p> <p>Check that warning light (1) does not stay on when engine is running.</p> <p>Press-to-test warning light. Notify unit maintenance if light does not illuminate.</p> <div style="text-align: center;">  <p>The diagram consists of two parts. The upper part is a perspective view of the M109A6 self-propelled howitzer, showing its turret and tracks. A small black square on the turret indicates the location of the warning light. A curved arrow points from this square to a detailed technical drawing of the warning light assembly below. In this detailed drawing, a circular component is labeled with the number '1' inside a circle.</p> </div>	

06ph010m

TABLE 2-1. PREVENTIVE MAINTENANCE CHECKS AND SERVICES FOR HOWITZER, SELF-PROPELLED, M109A6 - CONTINUED

Item No.	Interval	Location	Crewmember Procedures	Not Fully Mission Capable If:
		Item To Check/Service		
25	Before	CAB	<p><u>Gunner</u></p> <div style="text-align: center; border: 1px solid black; padding: 5px; width: fit-content; margin: 10px auto;"> CAUTION </div> <p>Ensure that hydraulic system pressure is reduced to 0 psi (0 kPa) before making this check.</p> <p>Open hydraulic compartment access door outside of cab.</p> <ol style="list-style-type: none"> a. Inspect hydraulic lines, hoses, and connections for leaks. b. Check oil level sight plug (1) on hydraulic reservoir. If oil is not visible, check IAW para 3, Appx I. Add fluid if required (para 3-8.11). c. Remove dust cap (2) from hydraulic reservoir and check for hydraulic oil leaking from hydraulic bellows assembly. d. Check electrical connections for loose wires and corrosion. Clean and tighten if necessary. <p>Close hydraulic compartment access door.</p>	<p>Fluid loss of over 3 quarts (2.8 l) in a 24-hour period.</p> <p>Any Class III leak found.</p>
		Hydraulic Components		

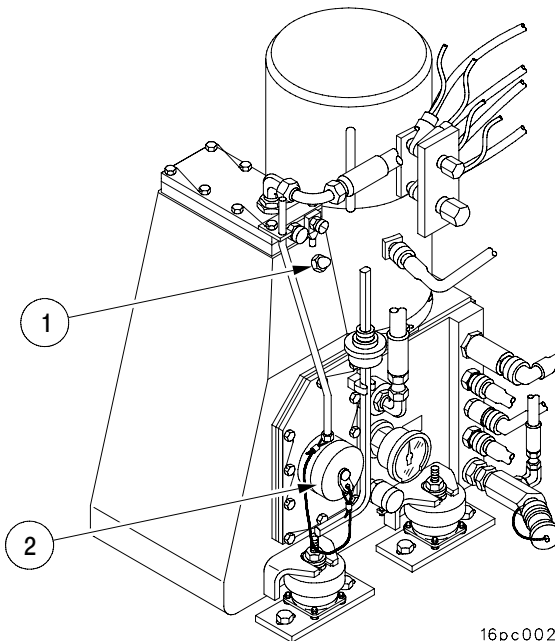
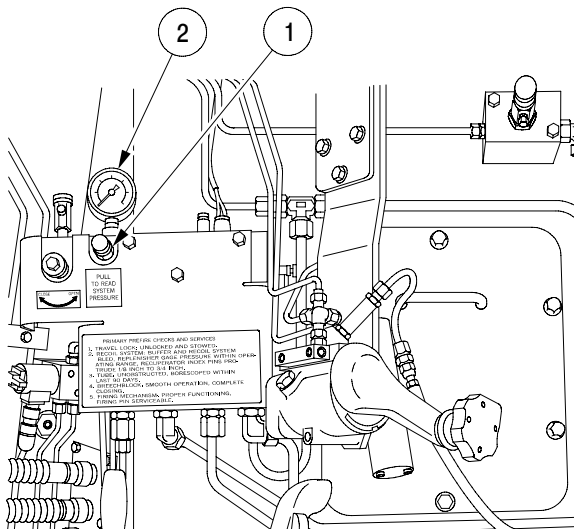


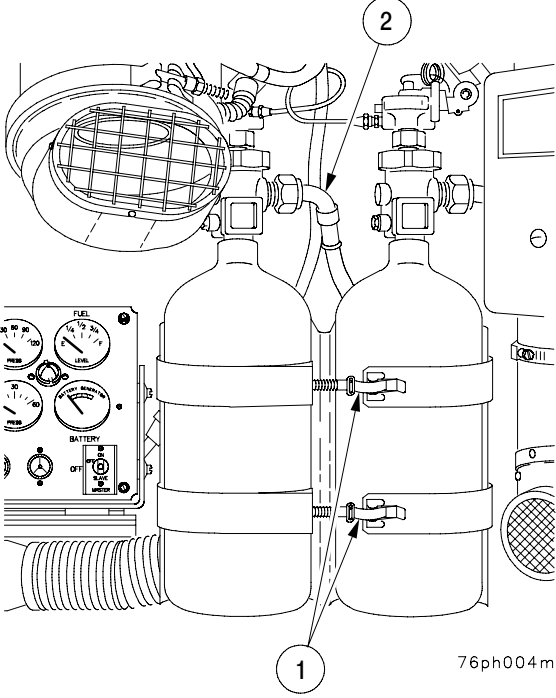
TABLE 2-1. PREVENTIVE MAINTENANCE CHECKS AND SERVICES FOR HOWITZER, SELF-PROPELLED, M109A6 - CONTINUED

Item No.	Interval	Location	Crewmember Procedures	Not Fully Mission Capable If:
		Item To Check/Service		
26	Before	Pulse Accumulator	<p><u>Gunner</u></p> <ol style="list-style-type: none"> Park vehicle on level ground, if possible. Place gun tube in stowed position. Turn vehicle MASTER switch ON. Start engine and idle at 1000 rpm. Turn HYDRAULIC POWER switch ON, and allow hydraulic system to operate for three minutes. Pull valve (1) open and release. Read hydraulic system pressure gage (2). Needle will move from zero on hydraulic system pressure gage (2) and stop at 1925 ± 50 psi. Turn HYDRAULIC POWER switch OFF. Move COS control handle left or right and release control handle. Pull valve (1) open and release. Observe that hydraulic system pressure gage (2) needle drops to 900 ± 50 psi. Move COS control handle left or right and release control handle. Pull valve (1) open and release. Hydraulic system pressure gage (2) will read zero pressure. <p>If hydraulic system pressure does not drop to zero at 900 ± 50 psi, notify unit maintenance.</p>	Hydraulic pressure gage is inoperative



16pc004m

TABLE 2-1. PREVENTIVE MAINTENANCE CHECKS AND SERVICES FOR HOWITZER, SELF-PROPELLED, M109A6 - CONTINUED

Item No.	Interval	Location	<u>Crewmember Procedures</u>	Not Fully Mission Capable If:
		Item To Check/Service		
27	Before	Fixed Fire Extinguisher System	<p><u>Gunner</u></p> <ol style="list-style-type: none"> Make sure bottle holddown brackets (1) are properly latched. Check distribution lines (2) for loose fittings, tight mountings, and cracks.  <p style="text-align: right;">76ph004m</p> <ol style="list-style-type: none"> Check for presence of fire extinguisher record tag, and that form indicates that the bottles have been weighed IAW unit SOP. 	<p>Distribution lines loose, cracked, or not mounted tightly.</p> <p>Bottles have not been weighed IAW unit SOP.</p>

**TABLE 2-1. PREVENTIVE MAINTENANCE CHECKS AND SERVICES FOR
HOWITZER, SELF-PROPELLED, M109A6 - CONTINUED**

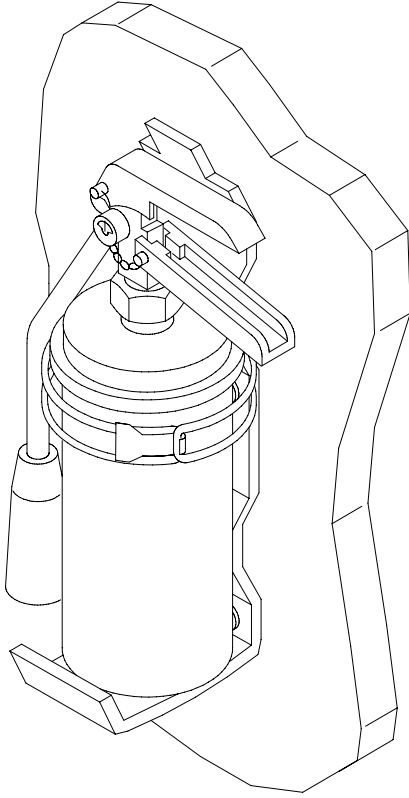
Item No.	Interval	Location	<u>Crewmember Procedures</u>	Not Fully Mission Capable If:
		Item To Check/Service		
28	Before	Portable Fire Extinguisher	<p><u>Gunner</u></p> <p>Check two portable fire extinguishers in crew compartment to determine that they are properly sealed and mounted securely.</p> <div style="text-align: center;">  <p>76ph003m</p> </div>	Either fire extinguisher is missing, pressure gage in red zone and/or lead wire seals are missing or broken.

TABLE 2-1. PREVENTIVE MAINTENANCE CHECKS AND SERVICES FOR HOWITZER, SELF-PROPELLED, M109A6 - CONTINUED

Item No.	Interval	Location	Crewmember Procedures	Not Fully Mission Capable If:
		Item To Check/Service		
29	Before	Microclimate Conditioning System	<p><u>Gunner</u></p> <p>NOTE</p> <p>The MCS should not be operated in the COOL mode if the outside temperature is below 40 degrees. In colder weather the Freon light may come on when the MASTER switch is turned ON. This is due to the reduced pressure of the Freon gas.</p> <ol style="list-style-type: none"> Turn vehicle MASTER switch ON. Start engine. Press LAMP TEST button (1) and observe CHANGE FILTER and FREON Pressure warning indicator lamps (2). If lamps (2) do not light, notify unit maintenance. <p style="text-align: center;">CAUTION</p> <p>Whenever MCS or driver's station is not in use, ensure that driver's /cab quick-disconnect coupling is disconnected, the cap installed on the coupling, and the flex hose properly secured in the hook and loop fastener provided in the hull.</p> <ol style="list-style-type: none"> Turn mode selector (3) to LOW AIR position and check for air flow. Change mode selector (3) from LOW AIR position to HIGH AIR position and check for increased air flow. Place mode selector (3) in the COOL mode and let the unit operate for 5-10 minutes. Check for cool air flow. Check all hoses and ducts for tears, cracks, or damage. 	

TABLE 2-1. PREVENTIVE MAINTENANCE CHECKS AND SERVICES FOR HOWITZER, SELF-PROPELLED, M109A6 - CONTINUED

Item No.	Interval	Location	<u>Crewmember Procedures</u>	Not Fully Mission Capable If:
		Item To Check/Service		
30	Deleted		<p style="text-align: right;">11pc006m</p>	

TABLE 2-1. PREVENTIVE MAINTENANCE CHECKS AND SERVICES FOR HOWITZER, SELF-PROPELLED, M109A6 - CONTINUED

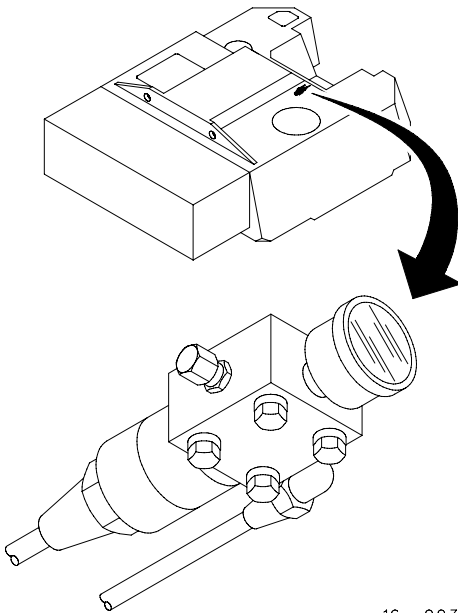
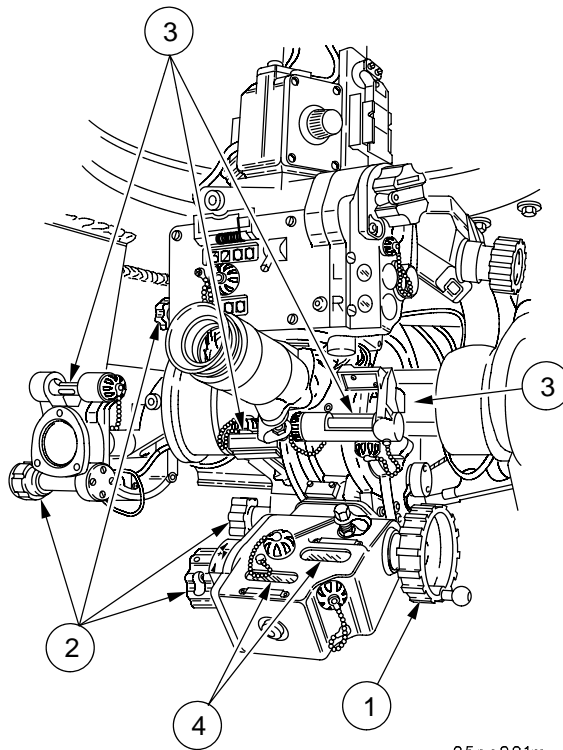
Item No.	Interval	Location	<u>Crewmember Procedures</u>	Not Fully Mission Capable If:
		Item To Check/Service		
30 (Cont)	Deleted			
31	Before	Replenisher System Pressure	<p><u>Gunner</u></p> <p>NOTE</p> <p>Gage pressure may increase during normal firing due to heat expansion of fluid in mount and replenisher. The safe-to-fire pressure range is 17-50 psi.</p> <p>Bleed air from recoil system before firing (para 3-8.6). Check that replenisher pressure gage shows a pressure of 17-24 psi. If indicated pressure is above 24 psi, bleed pressure (para 3-8.6). If the indicated pressure is between 9 and 16 psi, add hydraulic fluid through the roof mounted fill valve (Appendix I) on the replenisher gage manifold. If the indicated pressure is below 9 psi, notify unit maintenance.</p>  <p>16pc003m</p>	If pressure on gage is below 17 psi or above 50 psi.

TABLE 2-1. PREVENTIVE MAINTENANCE CHECKS AND SERVICES FOR HOWITZER, SELF-PROPELLED, M109A6 - CONTINUED

Item No.	Interval	Location	Crewmember Procedures	Not Fully Mission Capable If:
		Item To Check/Service		
32	Before	Telescope Mount, M145A1	<p><u>Gunner</u></p> <p>Make sure handwheel (1) and all knobs (2) are undamaged and that they move freely. Make sure level vials (3) are legible, that glass is free of breaks, that vial mirrors are not scratched, and that vial covers move freely. Make sure lamps illuminate vials. Inspect counters (4), making sure that viewing windows are not broken, that numbers move freely and read accurately. Make sure mounting is secure.</p>	Counters and knobs do not work properly. Vials are broken, or mirrors scratched, and AFCS/PDFCS, DCU, PDC or NAV subsystems unavailable.



05pc001m

TABLE 2-1. PREVENTIVE MAINTENANCE CHECKS AND SERVICES FOR HOWITZER, SELF-PROPELLED, M109A6 - CONTINUED

Item No.	Interval	Location	Crewmember Procedures	Not Fully Mission Capable If:
		Item To Check/Service		
33	Before	Panoramic Telescope, M117A2	<p><u>Gunner</u></p> <p>Check field of view through reticle for entrapped moisture and optical defects. Make sure eyeshield (1) is free from deterioration, cuts, or tears. Check that all external surfaces of telescope are free of dents, cracks, rust, or corrosion. Check all knobs (2) for damage and freedom of movement. Make sure mountings are secure. Check counters (3) to make sure that viewing windows are not broken and that numbers are legible and do not skip. Check that rheostat (4) knob moves freely and that light gradually goes from dim to bright and bright to dim. Check for moisture or fungus within field of view.</p>	Loose or defective parts prevent proper operation, knobs do not turn, counters skip, mountings insecure and AFCS/PDFCS, DCU, PDC or NAV subsystems unavailable.

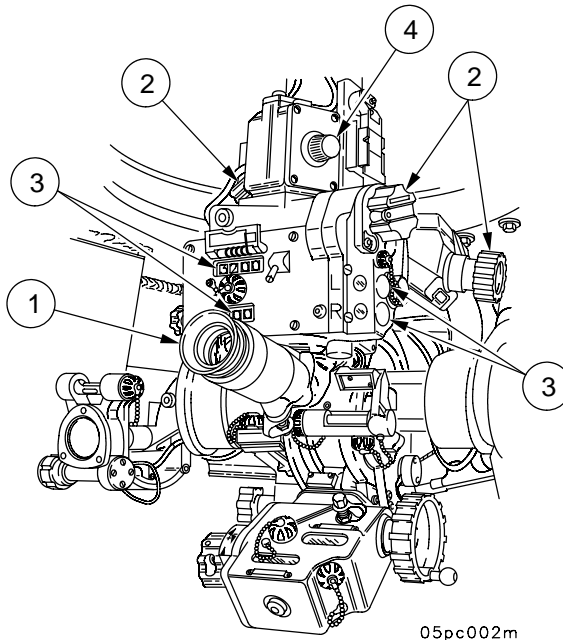


TABLE 2-1. PREVENTIVE MAINTENANCE CHECKS AND SERVICES FOR HOWITZER, SELF-PROPELLED, M109A6 - CONTINUED

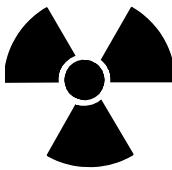
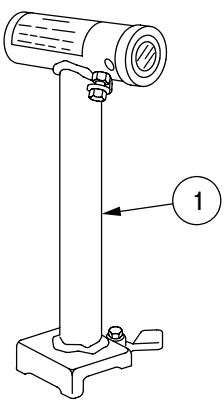
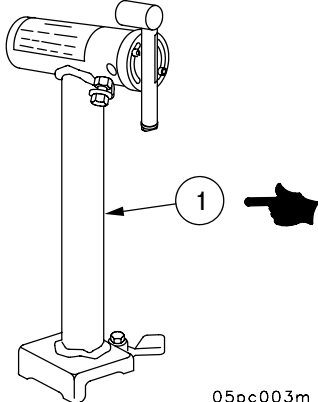
Item No.	Interval	Location	Crewmember Procedures	Not Fully Mission Capable If:
		Item To Check/Service		
34	Before	Alignment Device M140/M140A1	<p><u>Gunner</u></p> <div style="text-align: center;"> <div style="border: 1px solid black; padding: 2px; width: fit-content; margin: 0 auto;">WARNING</div>  RADIATION HAZARD TRITIUM GAS (H3) </div> <p>The M140 alignment device is radioactively illuminated. Check for presence of illumination in a low-light environment. If illumination is not present, notify local radiation safety officer. Do not attempt to repair.</p> <p>Check alignment device (1) for illumination. Clean and stow.</p> <div style="display: flex; justify-content: space-around; align-items: flex-end;"> <div style="text-align: center;">  <p>M140</p> </div> <div style="text-align: center;">  <p>M140A1</p> </div> </div> <p style="text-align: right; margin-right: 50px;">05pc003m</p>	

TABLE 2-1. PREVENTIVE MAINTENANCE CHECKS AND SERVICES FOR HOWITZER, SELF-PROPELLED, M109A6 - CONTINUED

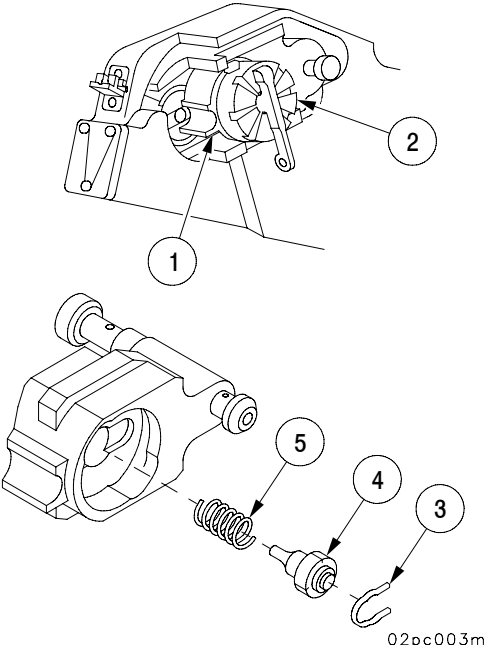
Item No.	Interval	Location	Crewmember Procedures	Not Fully Mission Capable If:
		Item To Check/Service		
35	Before	Firing Pin and Retainer	<p><u>Cannoneer</u></p> <p style="text-align: center;">NOTE</p> <p>Retainer is under pressure and will spring out if not restrained during removal.</p> <ol style="list-style-type: none"> a. With firing mechanism block (1) in center position, push firing mechanism (2) into block (1) and rotate clockwise to remove. b. Pry out firing pin retainer (3) with screwdriver. c. Remove firing pin (4) and firing pin spring (5). d. Replace retainer (3) and firing pin (4), if broken, distorted, or kinked. e. If spring (5) is broken or missing, notify unit maintenance. f. If firing pin (4) does not "pop" out when retainer is removed, attempt to push out the firing pin. (If unsuccessful, notify unit maintenance.) Use spare, and turn over old pin to unit maintenance. Check firing pin cavity in block for burrs. Remove with crocus cloth (item 12, Appx D).  <p style="text-align: right; font-size: small;">02pc003m</p>	Retainer distorted or broken. Firing pin or spring is broken or missing.

TABLE 2-1. PREVENTIVE MAINTENANCE CHECKS AND SERVICES FOR HOWITZER, SELF-PROPELLED, M109A6 - CONTINUED

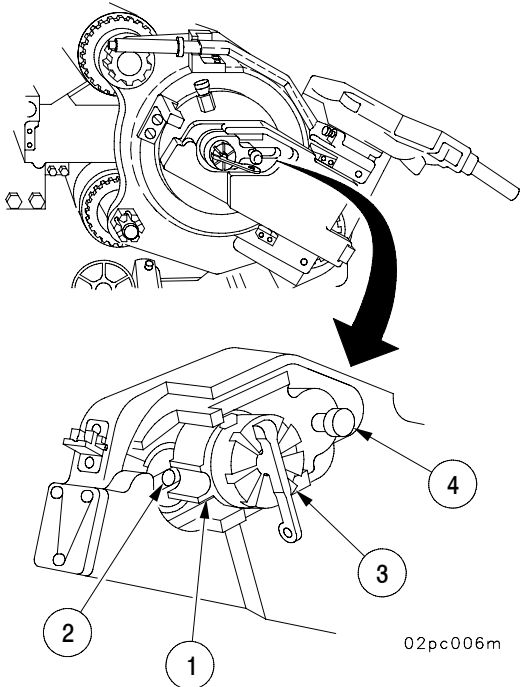
Item No.	Interval	Location	Crewmember Procedures	Not Fully Mission Capable If:
		Item To Check/Service		
36	Before	Firing Mechanism, Firing Block Assembly, and Primer Chamber	<p><u>Cannoneer</u></p> <div style="border: 1px solid black; padding: 5px; text-align: center; margin: 10px 0;">CAUTION</div> <p>To avoid damage to firing pin, ensure that firing mechanism is in firing position (fully to left of housing) before testing it.</p> <ol style="list-style-type: none"> a. Attach lanyard to eyelet of firing mechanism lever. b. Check operation of firing mechanism with a steady pull on the lanyard. You'll hear a click and firing mechanism should recock. c. Check mating block (1) for proper operation. d. Check primer chamber (2) for rust and powder fouling. e. Clean chamber (2) by inserting reamer as far as it will go. Rotate briskly. f. Clean and lubricate firing mechanism (3) (Appendix I). g. Slide firing block (4) back and forth to check for smooth movement. If it binds, notify unit maintenance.  <p style="text-align: right; font-size: small;">02pc006m</p>	Firing mechanism or follower assembly is unserviceable or missing.

TABLE 2-1. PREVENTIVE MAINTENANCE CHECKS AND SERVICES FOR HOWITZER, SELF-PROPELLED, M109A6 - CONTINUED

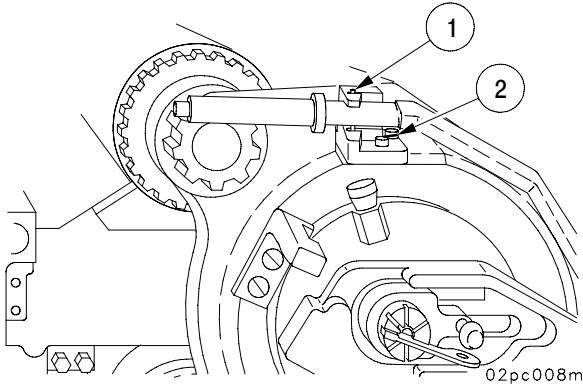
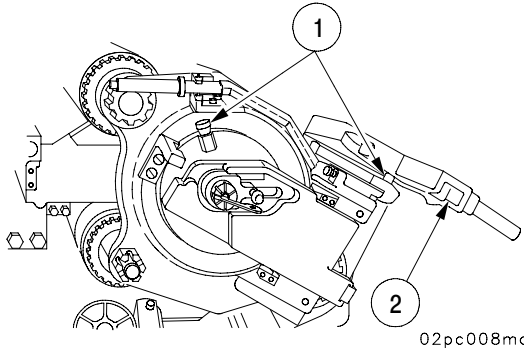
Item No.	Interval	Location	Crewmember Procedures	Not Fully Mission Capable If:
		Item To Check/Service		
37	Before	Operating Handle	<p><u>Cannoneer</u></p> <p>Inspect handle latch pin (1). If severely bent or cracked, notify unit maintenance.</p> <p>Unit maintenance should also be notified for pin replacement at 750 rounds (as recorded on Weapons Data Card 2408-4).</p> <p>Check locking wire securing catch (2) mounting bolts. If wire is broken or missing, notify unit maintenance.</p>  <p style="text-align: right; font-size: small;">02pc008m</p>	<p>Handle cannot be latched.</p> <p>Locking wire broken or missing.</p>
38	Before	Breech Opening Cam and Rollers	<p><u>Cannoneer</u></p> <p>Check rollers (1) for smooth operation. Check cam ways (2) for corrosion, nicks, or burrs. If required, remove corrosion with crocus cloth (item 12, Appx D). Remove nicks and burrs with a file. After cleaning/deburring, lubricate (Appendix I).</p>  <p style="text-align: right; font-size: small;">02pc008ma</p> <p>Lubricate cam ways daily when cannon is fired (Appendix I).</p>	Rollers are broken.

TABLE 2-1. PREVENTIVE MAINTENANCE CHECKS AND SERVICES FOR HOWITZER, SELF-PROPELLED, M109A6 - CONTINUED

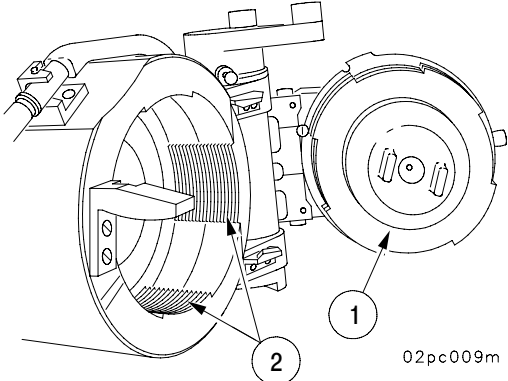
Item No.	Interval	Location	<u>Crewmember Procedures</u>	Not Fully Mission Capable If:
		Item To Check/Service		
39	Before	Breechblock	<p><u>Cannoneer</u></p> <div style="border: 2px solid black; padding: 5px; text-align: center; width: fit-content; margin: 10px auto;">WARNING</div> <p>Never forget to put operating handle back to stow position. If left down while closing breechblock, it can cause serious injury to personnel. Make it a practice never to let go of handle until you return it to stowed position.</p> <div style="border: 1px dashed black; padding: 5px; text-align: center; width: fit-content; margin: 10px auto;">CAUTION</div> <p>To prevent damage to firing mechanism follower assembly, firing mechanism must be in firing position before you open breechblock manually.</p> <p><u>Cannoneer</u></p> <p>Before firing, open and close breechblock (1) to be sure it operates freely and smoothly. If breechblock or breechring threads (2) are burred and prevent smooth operation, notify unit maintenance. Lubricate breechblock threads and breechring (Appendix I).</p>  <p style="text-align: right; margin-right: 50px;">02pc009m</p>	

TABLE 2-1. PREVENTIVE MAINTENANCE CHECKS AND SERVICES FOR HOWITZER, SELF-PROPELLED, M109A6 - CONTINUED

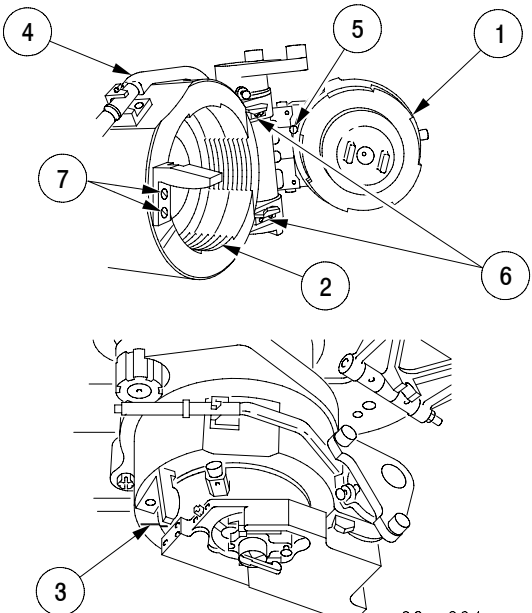
Item No.	Interval	Location	Crewmember Procedures	Not Fully Mission Capable If:
		Item To Check/Service		
39 Cont	Before	Breechblock	<p><u>Cannoneer</u></p> <div style="text-align: center; border: 1px solid black; padding: 5px; width: fit-content; margin: 10px auto;"> CAUTION </div> <p>When weapon is not being fired or inspected, keep breechblock closed to relieve tension on closing springs.</p> <ol style="list-style-type: none"> 1. Inspect breechblock detent plunger (5) for smooth operation, distortion and wear. If worn, notify unit maintenance. Unit maintenance should also be notified for plunger, spring, and spring pin replacement at 750 rounds (as recorded on Weapons Data Card 2408-4). 2. Check locking wire securing mounting bolts of upper and lower support brackets (6). If missing or broken, notify unit maintenance. 3. Check for the presence of at least two stake marks on both screws securing breech roller ram (7). If not staked, notify unit maintenance.  <p style="text-align: right; font-size: small;">02pc004m</p>	<p>Breechblock will not close completely (witness marks (3) on breechring do not align with similar marks on breechblock). Operating handle (4) does not work or breech is seized.</p>

TABLE 2-1. PREVENTIVE MAINTENANCE CHECKS AND SERVICES FOR HOWITZER, SELF-PROPELLED, M109A6 - CONTINUED

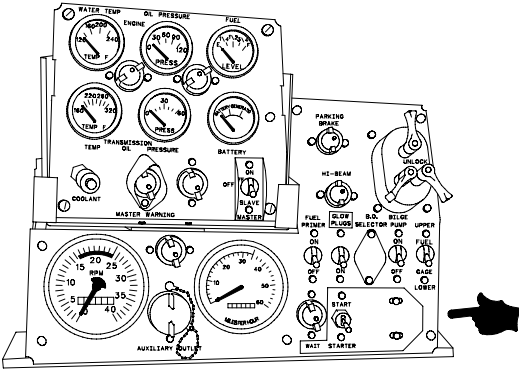
Item No.	Interval	Location	Crewmember Procedures	Not Fully Mission Capable If:
		Item To Check/Service		
40	Before	Rammer	<p><u>Cannoneer</u></p> <div style="border: 2px solid black; padding: 5px; text-align: center; margin: 10px 0;">WARNING</div> <p>When exercising rammer, bring rammer to full extension slowly to avoid seal damage.</p> <p>Check hoses, tubes, and fittings for hydraulic oil leaks. Check rammer assembly for missing, loose, or broken components. Before firing, perform rammer operational check (para 3-8.3). Lubricate prior to firing weapon (Appendix I).</p>	
41	During	Powerpack	<p><u>Driver</u></p> <div style="border: 2px dashed black; padding: 5px; text-align: center; margin: 10px 0;">CAUTION</div> <p>If you notice a shrill whine (above normal turbine whine), rubbing, unusual vibrations, and/or a sudden increase in exhaust smoke, shut off engine and notify unit maintenance.</p> <p>Check for unusual noises or vibrations.</p>	Performance or function inadequate; unusual noises or vibrations; inoperative.
42	During	Instrument Panels	<p><u>Driver</u></p> <p>Monitor gages, pressure, temperature, and indicator readings. Monitor tachometer, speedometer operation, and warning lamps for illumination.</p> <div style="text-align: center;">  <p>06ph003mc</p> </div>	

TABLE 2-1. PREVENTIVE MAINTENANCE CHECKS AND SERVICES FOR HOWITZER, SELF-PROPELLED, M109A6 - CONTINUED

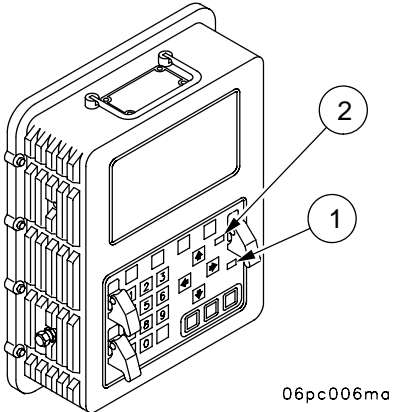
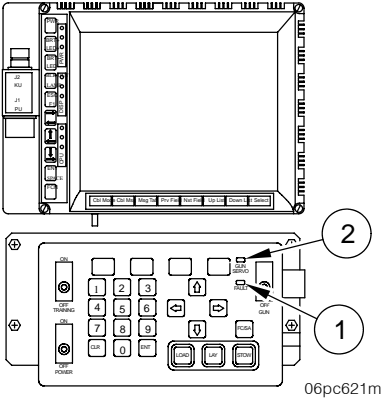
Item No.	Interval	Location	<u>Crewmember Procedures</u>	Not Fully Mission Capable If:
		Item To Check/Service		
43	Deleted			
44	During	AFCS Fault Indications	<p><u>Chief of Section</u></p> <p>Monitor FAULT indicator lamp (1) on DU for system fault indication (within AFCS).</p> <p>Verify GUN SERVO light (2) comes on during LOAD/LAY/STOW operations (when AFCS is operating gun) and the LOAD/LAY/STOW keys are depressed and held. Monitor the AFCS display for fault messages from the PDIU, record the faults, read and follow the reconfiguration advice from the PDIU, and notify unit maintenance.</p>  <p>06pc006ma</p> <p>WARNING</p> <p>All personnel located outside the vehicle must be clear of hull while cab is being traversed.</p>	Unable to LOAD/LAY/STOW in AFCS mode.
45	During	AFCS Communication	<p>Verify that system is able to receive and transmit digital communication, receive fire mission, and compute fire data.</p>	Unable to receive and transmit digital communication, receive fire mission, compute fire data.

TABLE 2-1. PREVENTIVE MAINTENANCE CHECKS AND SERVICES FOR HOWITZER, SELF-PROPELLED, M109A6 - CONTINUED

Item No.	Interval	Location	Crewmember Procedures	Not Fully Mission Capable If:
		Item To Check/Service		
45.1	During	PDFCS Fault Indications	<p><u>Chief of Section</u></p> <p>Monitor FAULT indicator lamp (1) on keypad for system fault indication (within PDFCS).</p> <p>Verify GUN SERVO light (2) comes on during LOAD/LAY/STOW operations (when PDFCS is operating gun) and the LOAD/LAY/STOW keys are depressed and held. Monitor the PDFCS display for fault messages from the PDI, record the faults, read and follow the reconfiguration advice from the PDI, and notify unit maintenance.</p>  <p>06pc621m</p>	Unable to LOAD/LAY/STOW in PDFCS mode.
45.2	During	PDFCS Communication	<p>All personnel located outside the vehicle must be clear of hull while cab is being traversed.</p> <p>Verify that system is able to receive and transmit digital communication, receive fire mission, and compute fire data.</p>	Unable to receive and transmit digital communication, receive fire mission, compute fire data.
46	During	Traversing Mechanism	<p><u>Gunner</u></p> <p>Check traversing mechanism operation in the manual, power, and control modes AFCS (para 2-15.2)/PDFCS (para 2-15E.2).</p>	No traversing in AFCS/PDFCS control mode.
47	During	Elevating Mechanism	<p><u>Gunner</u></p> <p>Check elevating mechanism operation in the manual, power, and control modes AFCS (para 2-15.2)/PDFCS (para 2-15E.2).</p>	No elevating in AFCS/PDFCS control mode.

WARNING

TABLE 2-1. PREVENTIVE MAINTENANCE CHECKS AND SERVICES FOR HOWITZER, SELF-PROPELLED, M109A6 - CONTINUED

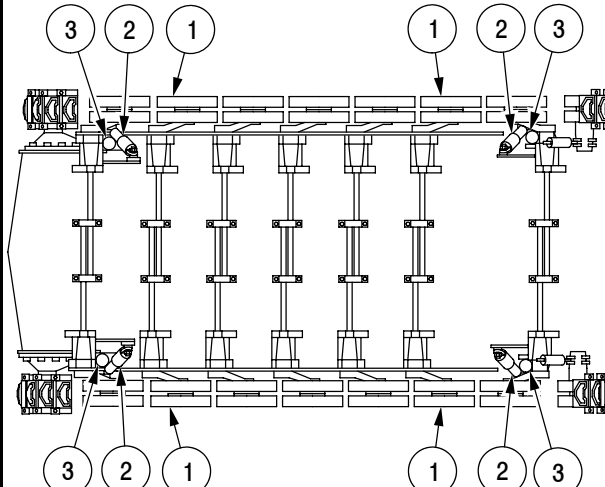
Item No.	Interval	Location	Crewmember Procedures	Not Fully Mission Capable If:
		Item To Check/Service		
48	After	Wheel Hubs, Shock Absorbers, and Hydraulic Bumper Stops	<div style="border: 2px solid black; padding: 5px; text-align: center; margin-bottom: 10px;">WARNING</div> <p>Wheel/hubs may be hot after operation. Failure to heed this warning may result in injury to personnel.</p> <p><u>Driver</u></p> <p>Check for overheated wheel hubs (1). Immediately after operation, feel all wheel hubs cautiously for noticeable variation in temperature between components. An overheated hub indicates a maladjusted, inadequately lubricated, or damage bearing.</p> <p>Feel the lower end of the shock absorbers (2) cautiously and check for variation of temperature between hull area and shock absorber. If shock absorber is operating properly, it should be warmer than the hull area around the shock absorber. If overheating occurs, notify unit maintenance.</p> <p>Check shock absorber for any lateral movement. Some rotation on the bearing is to be expected, but if there is any lateral movement between inner and outer bearing assembly, notify unit maintenance.</p> <p>Check bumper stops (3) for damage, proper mounting, and leaks. If required, lubricate wheel hubs (Appendix I).</p> 	<p>Wheel hub is overheating.</p> <p>Shock absorber broken, missing, or cold.</p> <p>Shock absorber moves from side to side.</p>

TABLE 2-1. PREVENTIVE MAINTENANCE CHECKS AND SERVICES FOR HOWITZER, SELF-PROPELLED, M109A6 - CONTINUED

Item No.	Interval	Location	Crewmember Procedures	Not Fully Mission Capable If:
		Item To Check/Service		
49	After	Final Drive Quick-Disconnect and Universal Joint Safety Wiring (Both Sides)	<p><u>Driver</u></p> <p>Open transmission access doors (para 2-8.14.9). Check quick-disconnect (1) for secure coupling. Check safety wire (2) on quick-disconnect (1) and universal joint bolts (3).</p>	Loose, broken, or missing bolts.

TABLE 2-1. PREVENTIVE MAINTENANCE CHECKS AND SERVICES FOR HOWITZER, SELF-PROPELLED, M109A6 - CONTINUED

Item No.	Interval	Location	<u>Crewmember Procedures</u>	Not Fully Mission Capable If:
		Item To Check/Service		
50	After	Track Shoes, End Connectors, Center Guides, and Track Pads	<p><u>Driver</u></p> <p>Inspect track shoes (1) for wear and missing track pads.</p> <p>Check for loose end connectors (2) by tapping with a small hammer. Inspect center guides (3). Tighten all loose end connector bolts and notify unit maintenance for torquing.</p> <p>Replace dead shoes, shoes with missing center guides or connector bolts. Use on-board spares. Check to make sure all pads (4) are present and not worn to the point where grouser (metal surface of track shoe) can damage road surface.</p>	Track shoe is broken; three or more distorted (dead shoes) indicating excessive bushing wear; missing or cracked end connectors; missing center guides; any connector bolt missing; broken track pin. Three or more pads missing on any side.

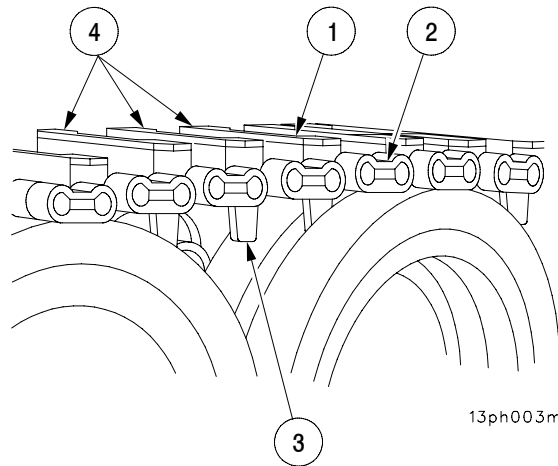


TABLE 2-1. PREVENTIVE MAINTENANCE CHECKS AND SERVICES FOR HOWITZER, SELF-PROPELLED, M109A6 - CONTINUED

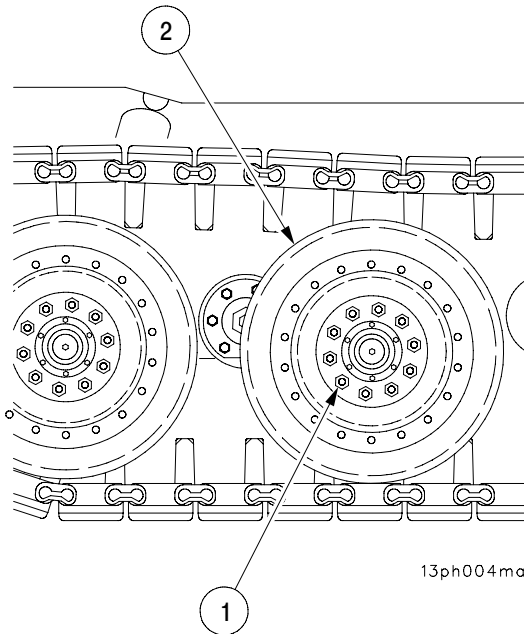
Item No.	Interval	Location	Crewmember Procedures	Not Fully Mission Capable If:
		Item To Check/Service		
51	After	Roadwheels and Idler Wheels	<p><u>Driver</u></p> <p>Be sure lug nuts (1) are tight and that rubber (2) around steel roadwheels is not separated or chunked so far that wheel thumps as it turns. Check for broken torsion bars by prying up roadwheel.</p> <p>Torsion bar is broken if roadwheel can be lifted. Notify unit maintenance.</p> <p>Check for damaged, bent, broken, or missing roadwheel or idler wheel arms.</p>  <p style="text-align: right;">13ph004ma</p>	<p>Missing, bent, or cracked roadwheel or idler wheel; elongated roadwheel or idler wheel mounting holes; separation of 1/2 of rubber contact from steel hub; chunking across 1/2 width of outer rubber surface on any pair of roadwheels (inner and outer); torsion bars missing or broken.</p> <p>Roadwheel and idler wheel arms damaged, bent, broken, or missing.</p>

TABLE 2-1. PREVENTIVE MAINTENANCE CHECKS AND SERVICES FOR HOWITZER, SELF-PROPELLED, M109A6 - CONTINUED

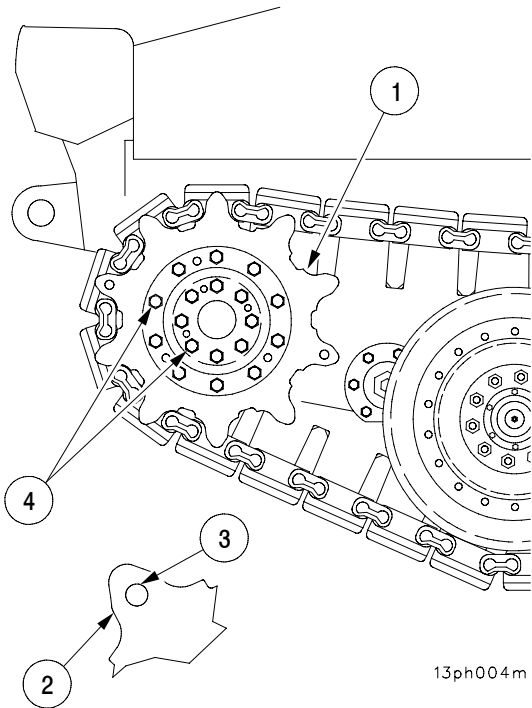
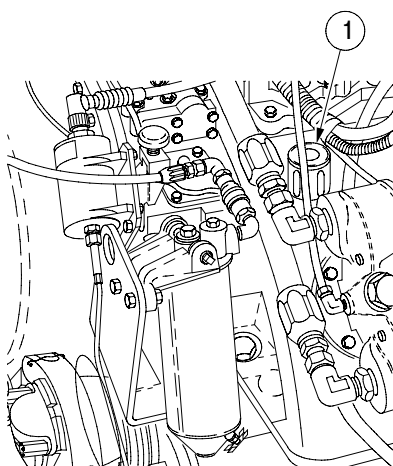
Item No.	Interval	Location	<u>Crewmember Procedures</u>	Not Fully Mission Capable If:
		Item To Check/Service		
52	After	Sprockets	<p><u>Driver</u></p> <p>Each drive sprocket (1) has two teeth (2) with wear marks. If either tooth is worn to edge of wear mark (3) or if any mounting bolts (4) are loose, notify unit maintenance.</p>  <p>13ph004m</p>	<p>Sprocket tooth is worn to edge of wear mark; mounting bolts are loose or missing.</p>

TABLE 2-1. PREVENTIVE MAINTENANCE CHECKS AND SERVICES FOR HOWITZER, SELF-PROPELLED, M109A6 - CONTINUED

Item No.	Interval	Location	Crewmember Procedures	Not Fully Mission Capable If:
		Item To Check/Service		
53	After	Front Lights	<p><u>Driver</u></p> <p>NOTE</p> <p>Infrared lights and right blackout drive light are disconnected on M109A6.</p> <p>Check for cracked, broken, or discolored lenses. Lenses should be free of dirt or paint. Check operation of service headlights, blackout drive, and blackout markers (para 2-8.6). Check instrument panel lights and high/low beam indicator.</p>	
54	After	Rear Lights	<p><u>Driver</u></p> <p>Check service taillights and brake lights. Inspect for cracked, broken, discolored, dirty, or painted-over lenses (para 2-8.6).</p>	
54.1	After	Transmission Oil Level	<p><u>Driver</u></p> <p>NOTE</p> <ul style="list-style-type: none"> • Check transmission oil level with vehicle parked on level ground, if possible. • Do not check oil with engine running and do not overfill. <p>Ensure travel lock is in maintenance position (para 2-8.19.3). Open both transmission access doors (para 2-8.14.9). Check level after shutting engine down. Level should be within the OPERATING RANGE stamped on the dipstick (1). Oil level will vary with changes in oil temperature. Add or drain oil as required (Appendix I).</p>  <p style="text-align: right;">01ph006mb</p>	

Any Class III leak found.

TABLE 2-1. PREVENTIVE MAINTENANCE CHECKS AND SERVICES FOR HOWITZER, SELF-PROPELLED, M109A6 - CONTINUED

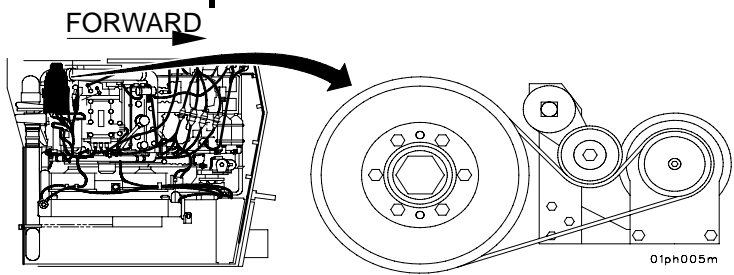
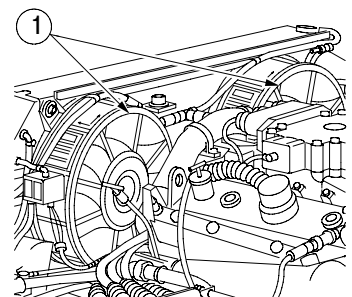
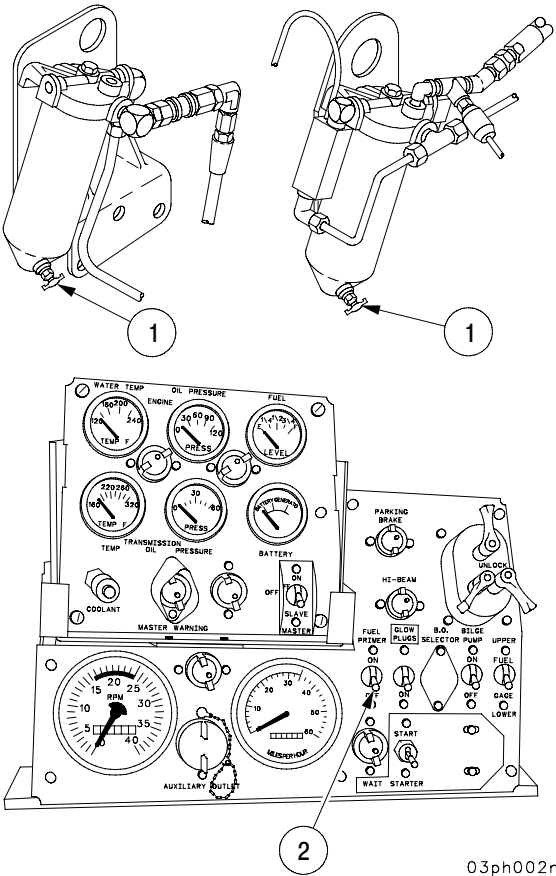
Item No.	Interval	Location	Crewmember Procedures	Not Fully Mission Capable If:
		Item To Check/Service		
54.2	After	Generator Belt	<p><u>Driver</u></p> <p>Visually inspect the generator belt for frays or badly worn areas. If belt is broken or excessively worn, notify unit maintenance.</p>	Belt is broken, frayed or cracked.
				
55	After	Fuel System	<p><u>Driver</u></p> <p>Check fuel level gage. Refill tank to proper level (para 3-7.3).</p>	
56	After	Night Viewer AN/VVS-2(V)4	<p><u>Driver</u></p> <p>For detailed instructions on your driver's night viewer AN/VVS-2(V)4, see TM 11-5855-249-10.</p>	
56.1	After	Cooling Fans	<p><u>Driver</u></p> <div style="border: 1px solid black; padding: 5px; text-align: center; margin: 10px 0;">WARNING</div> <p>Keep hands and loose clothing away from fans when working with running engine. Injury or death to personnel may result.</p> <p>Open engine air intake grille (para 2-8.14.10) and transmission access doors.</p> <p>Check for coolant leaks and serviceability of hoses.</p> <p>Check cooling fans (1) for missing or broken parts. Start engine. Check that cooling fans (1) are turning. Check for oil leaks at fan drive. Check hoses and fittings for leaks.</p>	Either Class III leak, cooling fan missing or not operating. Fin(s) broken or cracked.
				

TABLE 2-1. PREVENTIVE MAINTENANCE CHECKS AND SERVICES FOR HOWITZER, SELF-PROPELLED, M109A6 - CONTINUED

Item No.	Interval	Location	Crewmember Procedures	Not Fully Mission Capable If:
		Item To Check/Service		
56.2	After	Primary and Secondary Fuel Filters	<p><u>Driver</u></p> <p>NOTE</p> <p>Ensure that travel lock is in maintenance position (para 2-8.19.3).</p> <p>Open both transmission access doors (para 2-8.14.9).</p> <p>Open bottom drain cocks (1) and drain water into a suitable container until clean fuel flows from filters.</p> <p>Close drain cocks (1).</p> <p>After filters are drained, turn FUEL PRIMER switch (2) ON for 45 seconds to purge system of air before starting engine. Check hoses and fittings for leaks.</p> 	Any leaks

03ph002m

TABLE 2-1. PREVENTIVE MAINTENANCE CHECKS AND SERVICES FOR HOWITZER, SELF-PROPELLED, M109A6 - CONTINUED

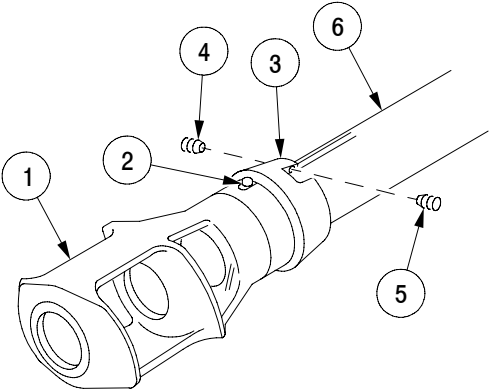
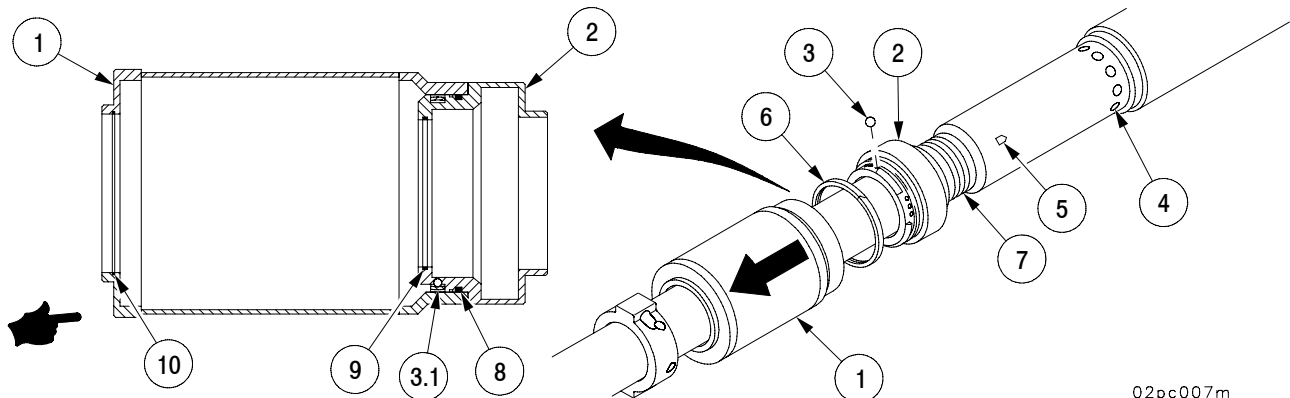
Item No.	Interval	Location	<u>Crewmember Procedures</u>	Not Fully Mission Capable If:
		Item To Check/Service		
57	After	Gun Tube and Muzzle Brake	<p><u>Chief of Section</u></p> <ol style="list-style-type: none"> After firing, check muzzle brake (1) for cracks. Ensure that muzzle brake key (2) is partly covered by collar (3). Check setscrew (4) for tightness. Check setscrew (5); it will be staked. Clean and service gun tube (Appendix I). Inspect gun tube (6) for damage.  <p style="text-align: right;">02pc005m</p>	<p>Any cracks in muzzle brake over 1-in. (2.54 cm) long.</p> <p>Muzzle brake key is damaged or missing.</p> <p>Either setscrew is missing.</p> <p>Any cracks in tube.</p>
58	After	Bore Evacuator and Ball Valves	<p><u>Chief of Section</u></p> <div style="border: 2px solid black; padding: 5px; text-align: center; width: fit-content; margin: 10px auto;">WARNING</div> <p>Failure to maintain bore evacuator properly will expose crew to air contaminated with carbon monoxide, producing symptoms of headache, dizziness, loss of muscular control, apparent drowsiness, and coma. Permanent brain damage and death can result from severe exposure.</p>	

TABLE 2-1. PREVENTIVE MAINTENANCE CHECKS AND SERVICES FOR HOWITZER, SELF-PROPELLED, M109A6 - CONTINUED

Item No.	Interval	Location	Crewmember Procedures	Not Fully Mission Capable If:
		Item To Check/Service		
58 - Cont	After	Bore Evacuator and Ball Valves - Continued	<p><u>Chief of Section</u></p> <p>After firing, separate main reservoir (1) and preresevoir (2) of bore evacuator assembly (para 3-8.8). Muzzle brake need not be removed.</p> <p>Remove, clean, and lubricate nine evacuator ball valves (3), nine preresevoir orifices (3.1), 10 evacuator orifices (4), and three metering holes (5). Ensure that bottom setscrew is staked.</p> <p>Clean and inspect ring valve (6) for cracks, breaks, or deformation.</p> <p>Inspect O-rings (preformed packing) (8 and 9), on the outer and inner grooves of preresevoir (2) and O-ring (10) on the inner groove of main reservoir (1) for damage or missing. Check for signs of gas wash (soot) past O-rings. Notify Unit Maintenance for replacement.</p> <p>Clean tube and tube threads (7).</p> <p>Notify unit maintenance if ring valve is cracked, broken, or deformed, or if threads are burred or damaged.</p> <p>After installing setscrew in bore evacuator, notify unit maintenance for torquing.</p> <p style="text-align: center;">NOTE</p> <p>Some rotation of the bore evacuator is acceptable. However, if it rotates more than 1 in., check ball lock spring and ball lock functioning. Notify unit maintenance if problem persists.</p>	<p>If staked screw is missing. If ring valve is broken, cracked, or missing. If any ball is missing. If either end O-ring (preformed packing) is damaged or missing, or if internal O-ring is damaged or missing, or signs of gas wash (soot) past O-ring.</p>



02pc007m

TABLE 2-1. PREVENTIVE MAINTENANCE CHECKS AND SERVICES FOR HOWITZER, SELF-PROPELLED, M109A6 - CONTINUED

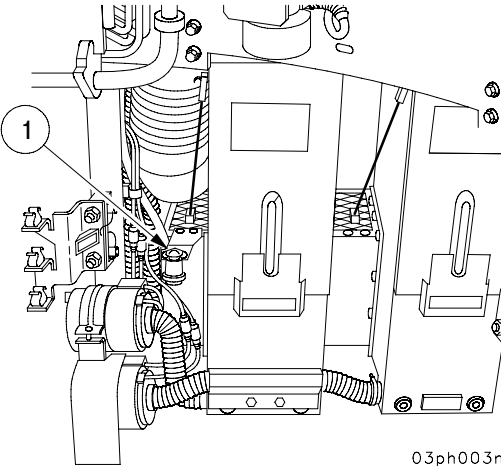
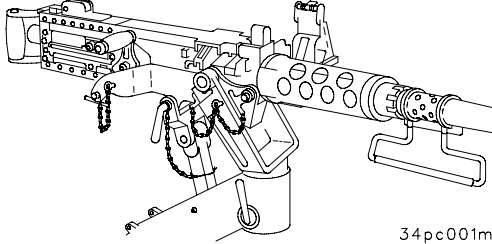
Item No.	Interval	Location	<u>Crewmember Procedures</u>	Not Fully Mission Capable If:
		Item To Check/Service		
59	After	Air Cleaner Restriction Indicator	<p><u>Chief of Section</u></p> <p>Check air cleaner restriction indicator (1) for green. If red, service air cleaners (para 3-7 .13).</p>  <p>03ph003m</p>	
60	After	Caliber .50 Machine Gun M2	<p><u>Chief of Section</u></p> <p>For detailed instructions on your caliber .50 machine gun M2, see TM 9-1005-213-10.</p>  <p>34pc001m</p>	

TABLE 2-1. PREVENTIVE MAINTENANCE CHECKS AND SERVICES FOR HOWITZER, SELF-PROPELLED, M109A6 - CONTINUED

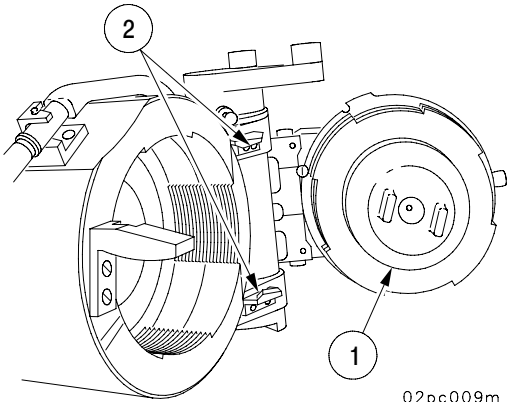
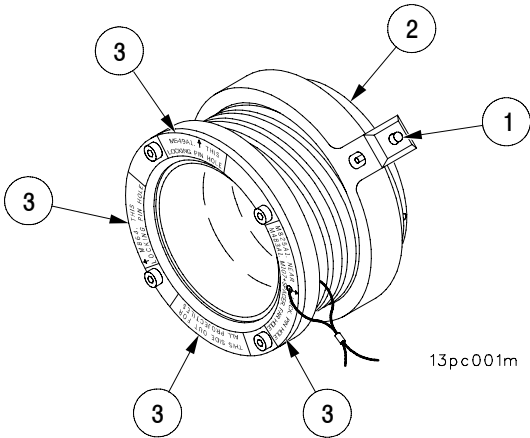
Item No.	Interval	Location	<u>Crewmember Procedures</u>	Not fully Mission Capable If:
		Item To Check/Service		
61	After	Obturator Spindle	<p><u>Cannoneer</u></p> <p>Check and clean spindle group (1). If primers consistently stick after cleaning primer chamber, check extractor. If extractor is working properly and primers are deformed or show signs of gas wash or erosion, notify unit maintenance.</p>	
62	After	Cannon Breech Ring Bracket Support Lugs	<p><u>Cannoneer</u></p> <p>Clean and lubricate lugs (2) (Appendix I). Check for lockwire, if lockwire is not present, notify unit maintenance.</p>  <p style="text-align: right;">02pc009m</p>	Mounting hardware loose, broken, or missing.
63	After	Bustle Rack	<p>NOTE</p> <p>Check all projectile retainer assemblies.</p> <p>Check retainer locking pin (1) will lock in all positions when inner ring (2) is rotated and decals (3) are legible.</p>  <p style="text-align: right;">13pc001m</p>	

TABLE 2-1. PREVENTIVE MAINTENANCE CHECKS AND SERVICES FOR HOWITZER, SELF-PROPELLED, M109A6 - CONTINUED

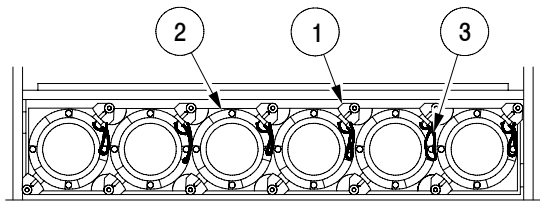
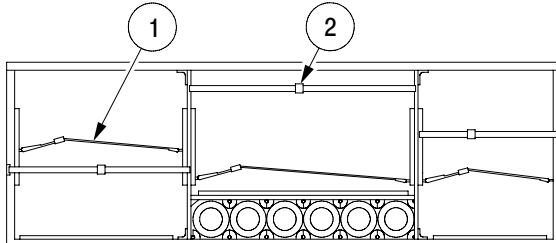
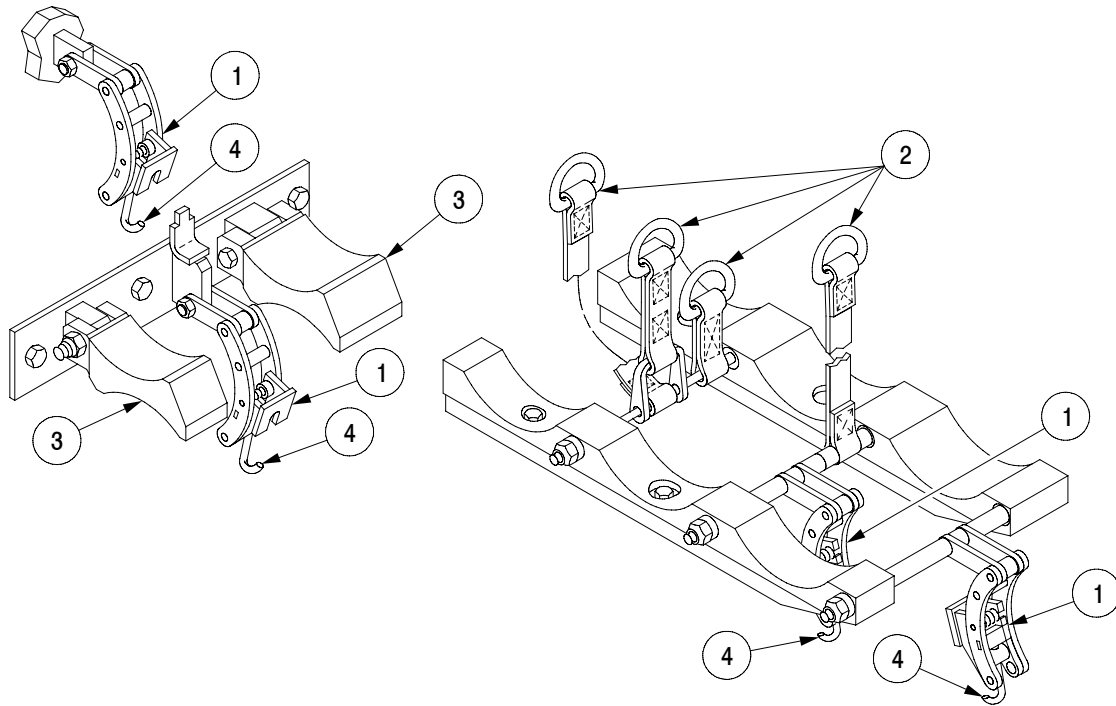
Item No.	Interval	Location	Crewmember Procedures	Not fully Mission Capable If:
		Item To Check/Service		
63 Cont	After	Bustle Rack	<p><u>Cannoneer</u></p> <div style="text-align: center; border: 2px solid black; padding: 5px; width: fit-content; margin: 10px auto;">WARNING</div> <p>If bustle rack has projectiles loaded, make sure that retainer locks and retainers are in place and straps are securing projectiles in bustle compartments.</p> <p>Make sure each retainer lock (1) is rotated to hold its retainer (2) in place. Check to see that each end of wire ropes (3) is securely attached to retainer and bustle.</p>  <p style="text-align: right; font-size: small;">13pc002m</p> <div style="text-align: center; border: 2px solid black; padding: 5px; width: fit-content; margin: 10px auto;">WARNING</div> <ul style="list-style-type: none"> If bustle has powder cannisters loaded, make sure cannisters are firmly secured in bustle with webbing straps. Do not carry or transport more powder cannisters than can be secured. <p style="text-align: center;">NOTE</p> <p>Use cannister retaining tool to check each locking device, and to increase or decrease tension on each strap (1).</p> <p>Make sure each strap (1), ratchet handle, and locking device works properly, and slat hooks are secured in bustle retainer bars. Make sure each strap buckle (2) opens and closes correctly and holds tension.</p>  <p style="text-align: right; font-size: small;">13pc002m</p>	

TABLE 2-1. PREVENTIVE MAINTENANCE CHECKS AND SERVICES FOR HOWITZER, SELF-PROPELLED, M109A6 - CONTINUED

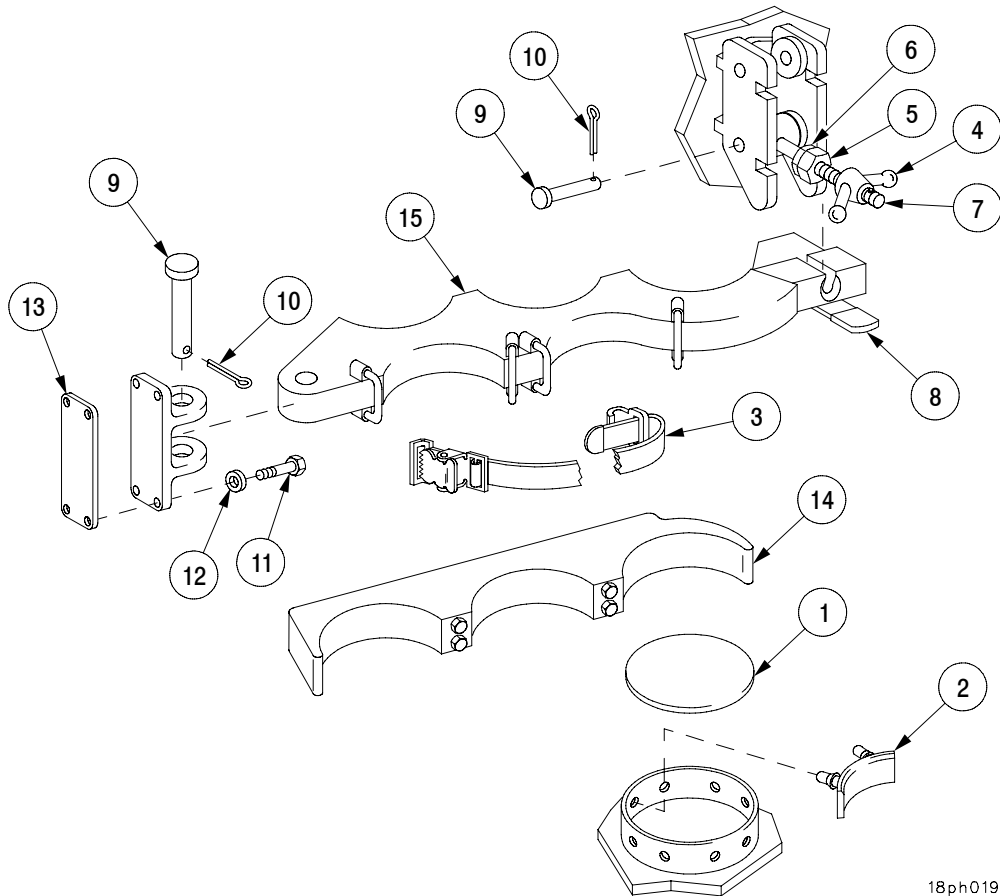
Item No.	Interval	Location	<u>Crewmember Procedures</u>	Not fully Mission Capable If:
		Item To Check/Service		
64	After	Projectile Storage Racks	<p><u>Cannoneer</u></p> <p>WARNING</p> <ul style="list-style-type: none"> • If projectile storage racks have projectiles loaded, make sure all projectiles are firmly secured to cradles, brackets, and ammunition racks with webbing straps, latch assemblies and with ammunition rack arm. • Do not carry or transport more projectiles than can be secured. <p>Check for missing or broken latches (1), webbing straps (2), hinged cradles (3) or rotating hook bolts (4). Make sure each latch (1) and rotating hook bolt (4) operate correctly and hold tension, notify unit maintenance.</p>	



18ph018m

TABLE 2-1. PREVENTIVE MAINTENANCE CHECKS AND SERVICES FOR HOWITZER, SELF-PROPELLED, M109A6 - CONTINUED

Item No.	Interval	Location	<u>Crewmember Procedures</u>	Not fully Mission Capable If:
		Item To Check/Service		
64 Cont	After	Projectile Storage Racks	<p><u>Cannoneer</u></p> <p>Check for damaged or missing cushioning pads (1), nonmetallic bumpers (2), webbing straps (3), wing nut (4), nuts (5 and 6), eyebolt (7), friction tab (8), pins (9), cotter pins (10), screws (11), flat washers (12), spacer plate (13), ammunition cradle (14), or ammunition rack arm (15), notify unit maintenance.</p>	



18ph019m

TABLE 2-1. PREVENTIVE MAINTENANCE CHECKS AND SERVICES FOR HOWITZER, SELF-PROPELLED, M109A6 - CONTINUED

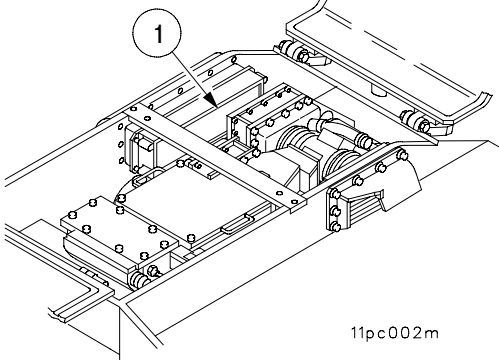
Item No.	Interval	Location	<u>Crewmember Procedures</u>	Not fully Mission Capable If:
		Item To Check/Service		
65	After	Inlet to the Microclimate Conditioning System through the Air Particle Separator	<p><u>Gunner</u></p> <div style="border: 2px solid black; padding: 5px; text-align: center; width: fit-content; margin: 10px auto;"> <p>WARNING</p> </div> <p>Do not attempt to clean air particle separator grill while Microclimate Conditioning System (MCS) is operating. Injury to personnel can result.</p> <ol style="list-style-type: none"> a. Check air particle separator inlet (1) for debris. b. Remove debris as necessary.  <p style="text-align: right; font-size: small;">11pc002m</p>	
66	After	Crew Compartment	<p><u>All</u></p> <p>Wipe clean any water, oil, or grease on crew compartment floor.</p> <p>Inspect hydraulic lines, hoses, and connections, valves, motor cylinders, and pump for leaks. Check oil level in reservoir. Add fluid if required (Appendix I). Check electrical connections for loose wires and corrosion. Clean and tighten, if necessary.</p>	Fluid loss of over 3 quarts in a 24-hour period.

TABLE 2-1. PREVENTIVE MAINTENANCE CHECKS AND SERVICES FOR HOWITZER, SELF-PROPELLED, M109A6 - CONTINUED

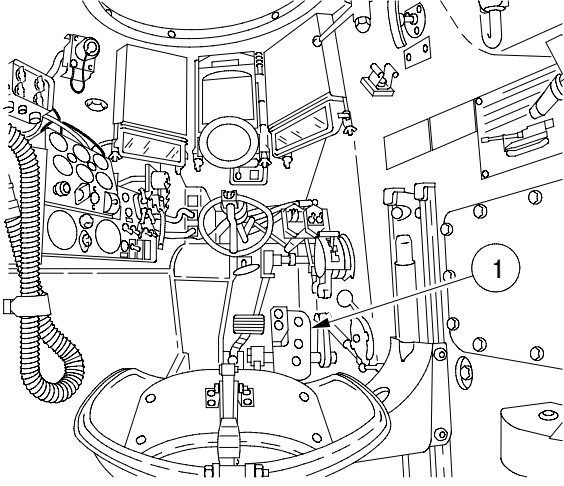
Item No.	Interval	Location	<u>Crewmember Procedures</u>	Not fully Mission Capable If:
		Item To Check/Service		
66.1	After	Accelerator Pedal	<p><u>Driver</u></p> <p>Check for missing or unserviceable accelerator pedal return spring by depressing accelerator pedal (1) and releasing.</p>  <p>18ph012ma</p>	If accelerator pedal does not return to idle position after being depressed.
66.2	After	Lead Particulate Filter and Ventilation System	<p><u>Gunner</u></p> <div style="border: 2px solid black; padding: 5px; text-align: center; margin: 10px 0;">WARNING</div> <p>If lead filter blower is nonoperational, the rear door must be open during firing to prevent drawing propellant fumes and smoke, that can cause injury to personnel, into vehicle.</p>	

TABLE 2-1. PREVENTIVE MAINTENANCE CHECKS AND SERVICES FOR HOWITZER, SELF-PROPELLED, M109A6 - CONTINUED

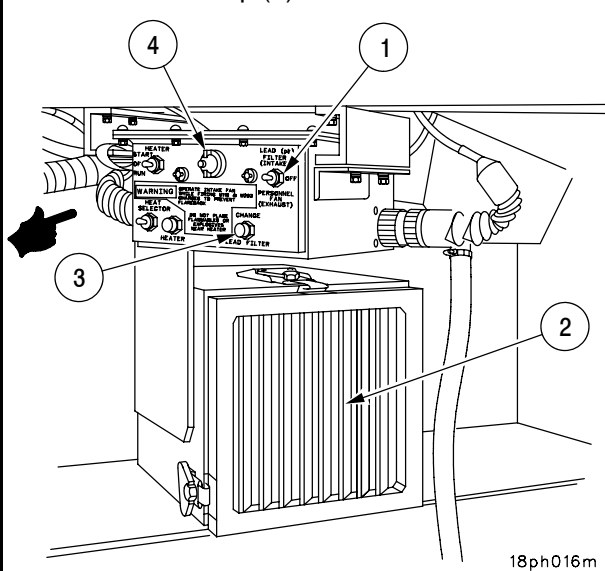
Item No.	Interval	Location	Crewmember Procedures	Not fully Mission Capable If:
		Item To Check/Service		
66.2 cont	After	Lead Particulate Filter and Ventilation System	<p><u>Gunner</u></p> <ol style="list-style-type: none"> Ensure ventilation intake/exhaust duct grille is clear of debris. Turn vehicle MASTER switch ON. <ol style="list-style-type: none"> Move Vent Duct Control Handle to UP position. Move ventilation fan selection switch (1) to LEAD FILTER (INTAKE). Check for air flow at filter cover (2). Press lamp test cover (3) and observe if LEAD FILTER CHANGE lamp illuminates. If intake blower is inoperative or LEAD FILTER CHANGE lamp indicates filter is clogged, notify unit maintenance. <ol style="list-style-type: none"> Move Vent Duct Control Handle to the DOWN position. Move ventilation fan selection switch (1) to PERSONNEL FAN (EXHAUST). EXHAUST lamp (4) should illuminate.  <p style="text-align: right;">18ph016m</p> <ol style="list-style-type: none"> Check for air flow from ventilation intake/exhaust duct grille. Check for loose, frayed, or cut wiring. Check drain and air duct hoses for cracks, cuts, loose, or missing clamps or other damages. <p>If exhaust blower is inoperative, drain or air duct hoses missing, cut, or damaged, notify unit maintenance.</p>	

TABLE 2-1. PREVENTIVE MAINTENANCE CHECKS AND SERVICES FOR HOWITZER, SELF-PROPELLED, M109A6 - CONTINUED

Item No.	Interval	Location	<u>Crewmember Procedures</u>	Not fully Mission Capable If:
		Item To Check/Service		
67	Weekly	Torsion Bars	<p><u>Driver</u></p> <p>Using a crowbar, check for broken torsion bars by prying up roadwheel.</p>	Any torsion bar broken or missing.
68	Weekly	Track Tension	<p><u>Driver</u></p> <p>Move vehicle forward and backward several times on level ground, stopping by shifting the shift selector into neutral and coasting to a stop without applying the brakes. Turn off engine. Distance from top of the third roadwheel (from the front) to track should be 1/4-in. If not, adjust track tension (para 3-7.5.1). Notify unit maintenance.</p>	

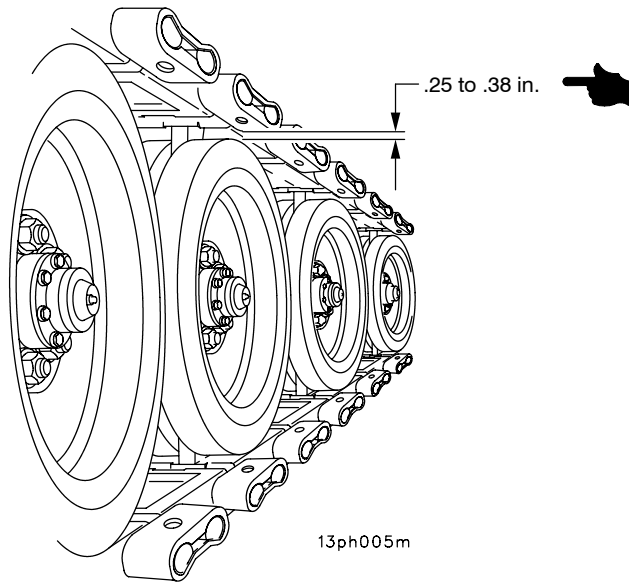


TABLE 2-1. PREVENTIVE MAINTENANCE CHECKS AND SERVICES FOR HOWITZER, SELF-PROPELLED, M109A6 - CONTINUED

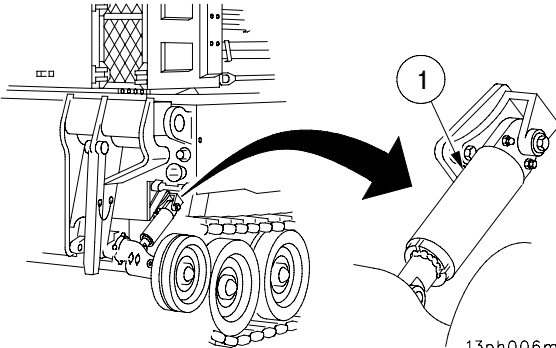
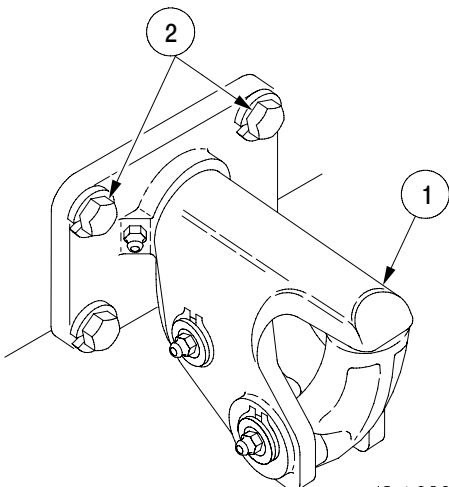
Item No.	Interval	Location	<u>Crewmember Procedures</u>	Not fully Mission Capable If:
		Item To Check/Service		
69	Weekly	Track Adjuster	<p><u>Driver</u></p> <p>Check for bent or broken track adjusters (1). Check if track adjuster has reached its maximum limit (3.50 in. (8.89 cm)). If so, remove one track shoe and readjust track.</p> 	Track adjuster is bent, broken, or will not adjust.
70	Weekly	Tow Pintle	<p><u>Driver</u></p> <p>Check pintle (1) for proper operation. Inspect for loose mounting bolts (2). Lubricate (Appendix I).</p> 	

TABLE 2-1. PREVENTIVE MAINTENANCE CHECKS AND SERVICES FOR HOWITZER, SELF-PROPELLED, M109A6 - CONTINUED

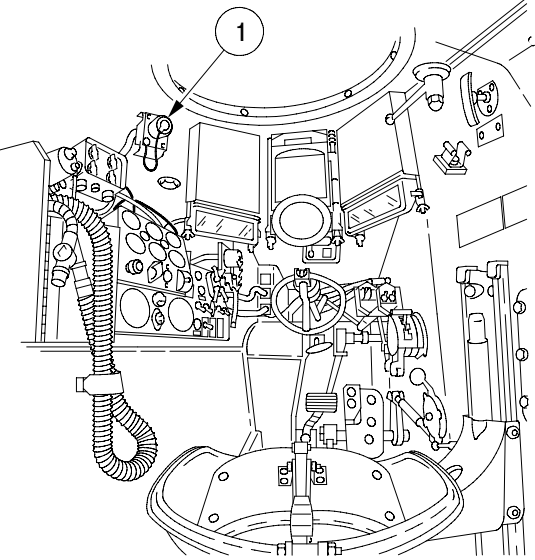
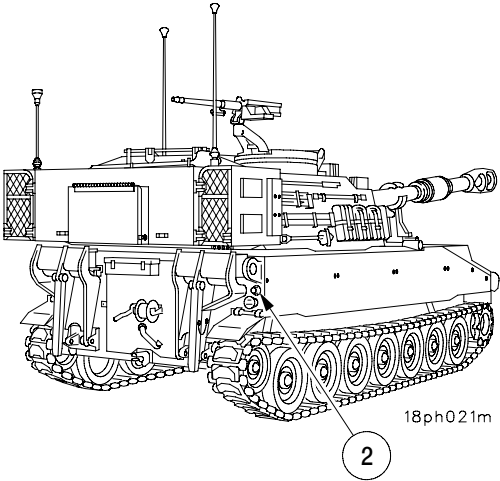
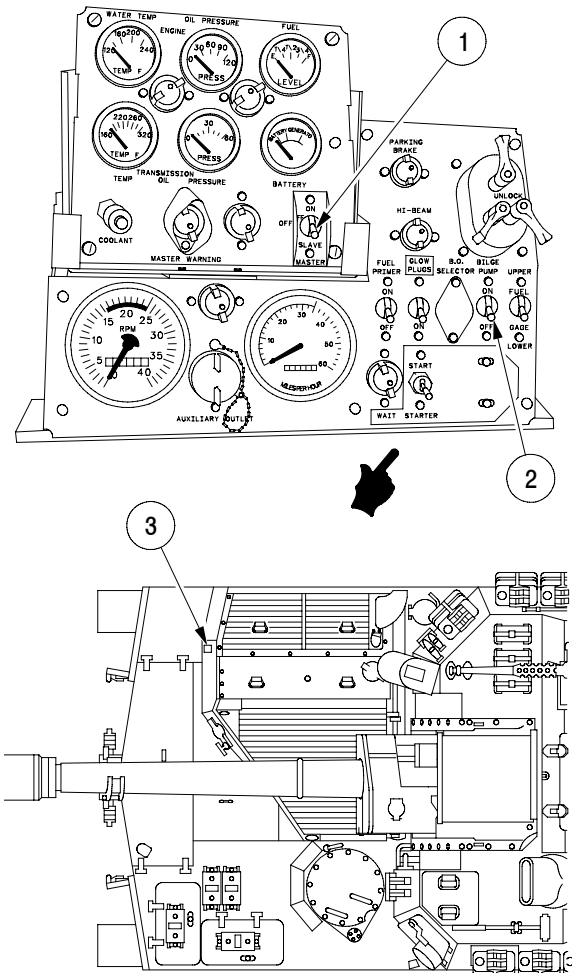
Item No.	Interval	Location	Crewmember Procedures	Not fully Mission Capable If:
		Item To Check/Service		
71	Weekly	Slave Start Receptacles and External Power	<p><u>Driver</u></p> <p>Check slave start receptacle (1) and external power receptacle (2) for corrosion. Clean as required.</p>  	

TABLE 2-1. PREVENTIVE MAINTENANCE CHECKS AND SERVICES FOR HOWITZER, SELF-PROPELLED, M109A6 - CONTINUED

Item No.	Interval	Location	Crewmember Procedures	Not fully Mission Capable If:
		Item To Check/Service		
72	Weekly	Bilge Pump	<p><u>Driver</u></p> <div style="text-align: center; border: 1px solid black; padding: 5px; width: fit-content; margin: 10px auto;"> CAUTION </div> <p>To check bilge pump operation, do not operate bilge pump dry for longer than 1 minute, or wet for more than 15 minutes without engine running.</p> <p>Check bilge pump for proper operation. Turn MASTER switch (1) ON and turn bilge pump switch (2) ON. If engine compartment is dry, feel for air at bilge pump outlet (3).</p> 	

06ph003m

TABLE 2-1. PREVENTIVE MAINTENANCE CHECKS AND SERVICES FOR HOWITZER, SELF-PROPELLED, M109A6 - CONTINUED

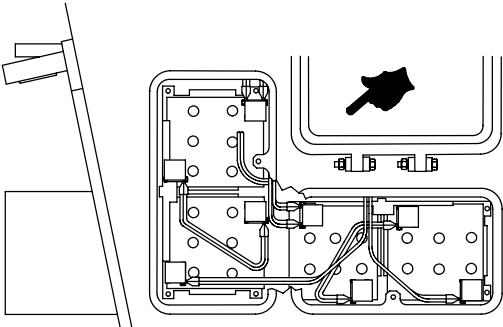
Item No.	Interval	Location	Crewmember Procedures	Not fully Mission Capable If:
		Item To Check/Service		
73	Weekly	Batteries	<p><u>Driver</u></p> <div style="border: 1px solid black; padding: 5px; text-align: center; margin: 10px 0;">WARNING</div> <ul style="list-style-type: none"> • Lead-acid battery gases can explode. Don't smoke, have open flame, or make sparks around a battery, especially if the caps are off. If a battery is gassing, it can explode and cause injury. If gassing exists, notify unit maintenance for removal and servicing. • Remove all jewelry such as rings, dog tags, bracelets, etc. If jewelry contacts battery terminal, a direct short will result, causing instant heating of jewelry, tools, and damage to equipment and injury to personnel. <ol style="list-style-type: none"> a. Open battery compartment access doors. b. Check electrolyte level. Electrolyte should be filled to the ledge in battery filler opening (vent). If low or boiling, notify unit maintenance. c. Check that connections are tight and not corroded. If corroded or loose, notify unit maintenance. Cap vents should be clean and screwed on tightly. d. Check for cracked batteries. If cracked, notify unit maintenance. e. Check battery terminal cover for cracks. If cracked, notify unit maintenance.  <p style="text-align: right; font-size: small;">06ph011m</p>	<p>A battery is missing or cracked or the engine will not crank.</p> <p>Any loose cables or terminals.</p> <p>Batteries will not start vehicle.</p>

TABLE 2-1. PREVENTIVE MAINTENANCE CHECKS AND SERVICES FOR HOWITZER, SELF-PROPELLED, M109A6 - CONTINUED

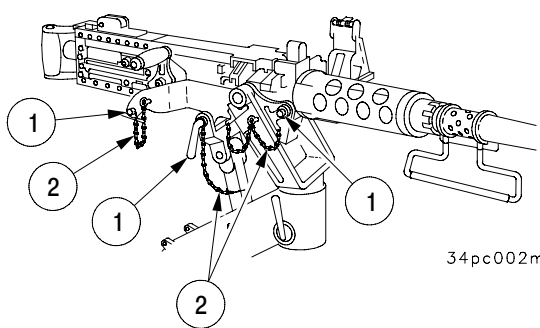
Item No.	Interval	Location	<u>Crewmember Procedures</u>	Not fully Mission Capable If:
		Item To Check/Service		
74	Weekly	Caliber .50 Machine Gun Mount	<p>Chief of Section Inspect to ensure pins (1) and chains (2) are serviceable.</p> 	
75	Deleted			

TABLE 2-1. PREVENTIVE MAINTENANCE CHECKS AND SERVICES FOR HOWITZER, SELF-PROPELLED, M109A6 - CONTINUED

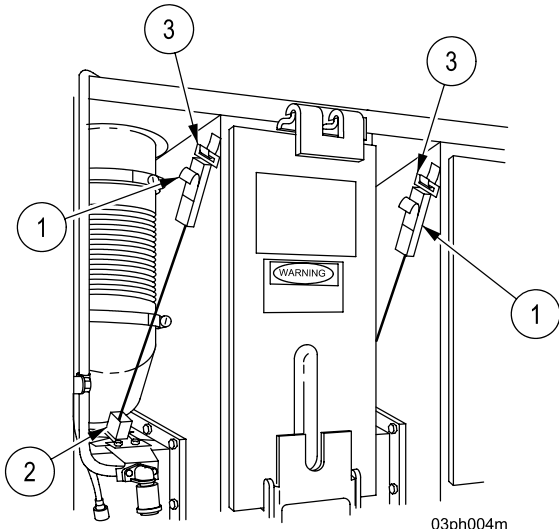
Item No.	Interval	Location	Crewmember Procedures	Not fully Mission Capable If:
		Item To Check/Service		
76	Weekly	Engine Air Cleaners	<p><u>Driver</u></p> <p>a. Check air cleaner filter packs. Refer to para 3-7.13.</p> <div style="text-align: center; border: 1px solid black; padding: 5px; width: fit-content; margin: 10px auto;"> CAUTION </div> <p>Ensure that engine is shut off before making this check.</p> <p>b. Check air cleaner blower motor hoses for holes, cracking, or dry rot.</p> <p>c. Check that locking handles are properly set:</p> <ol style="list-style-type: none"> (1) Winter position (below 25°F). Leave locking handles (1) in holders (2). (2) Summer position (over 40°F). Raise handles (1) and fasten on hooks (3). (3) Intermediate temperatures (25°F to 40°F). Start engine with locking handles in winter position. When engine reaches operating temperature, place handles in summer position. 	<p>Any seals or hoses cracked, worn, or missing.</p> <p>Blower motors inoperative.</p> <p>Air cleaner filters clogged or wet.</p> <p>Air cleaner doors, filter elements, or hoses are missing.</p> <p>Air cleaner doors won't open or close properly.</p>
 <p style="text-align: right; font-size: small;">03ph004m</p>				

TABLE 2-1. PREVENTIVE MAINTENANCE CHECKS AND SERVICES FOR HOWITZER, SELF-PROPELLED, M109A6 - CONTINUED

Item No.	Interval	Location	<u>Crewmember Procedures</u>	Not fully Mission Capable If:
		Item To Check/Service		
77	Weekly	Doors, Hatches, and Latches	<p><u>All</u></p> <p>Check hatch/door seals for looseness, tears or deterioration. Ensure that latches and doors lock securely in both open and closed positions.</p>	Doors cannot be secured.
78	Weekly	Seats	<p><u>Driver</u></p> <p>Inspect seat belt (1), seat and backrest cushions (2 and 3) for deterioration. Make sure seat belt (1) buckle and end plate engage securely. Make sure seat adjustment levers (4 and 5) securely lock seat in all positions. Fold and unfold backrest (6) and check for binding. Check for loose or missing mounting hardware.</p>	

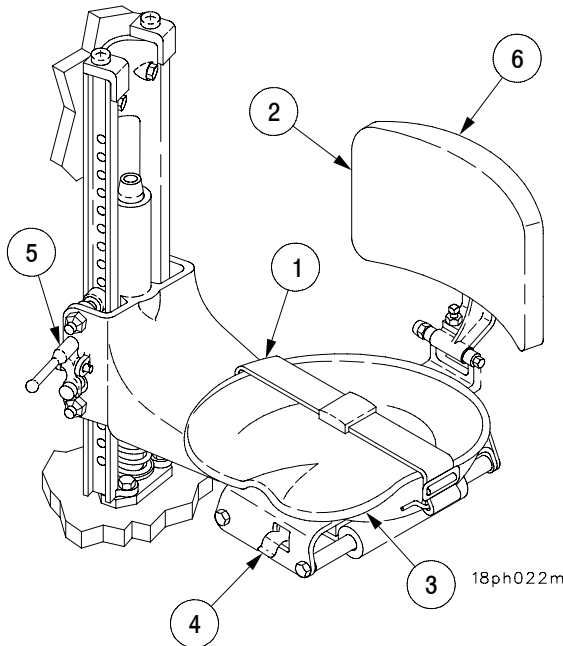


TABLE 2-1. PREVENTIVE MAINTENANCE CHECKS AND SERVICES FOR HOWITZER, SELF-PROPELLED, M109A6 - CONTINUED

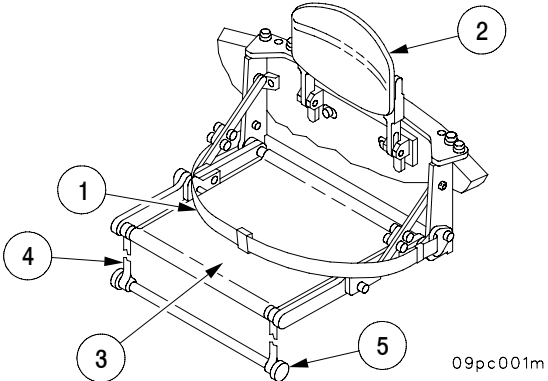
Item No.	Interval	Location	<u>Crewmember Procedures</u>	Not fully Mission Capable If:
		Item To Check/Service		
78 Cont	Weekly	Seats	<p><u>Crew</u></p> <p>Inspect seat belt (1), backrest (2), seat (3) and footrest straps (4) for deterioration. Ensure seat belt (1) mounting brackets are securely attached, and buckle/end plate engages securely. Open and restore backrest (2), seat (3), and footrest (5) and check for binding and loose, or missing mounting hardware.</p> 	

TABLE 2-1. PREVENTIVE MAINTENANCE CHECKS AND SERVICES FOR HOWITZER, SELF-PROPELLED, M109A6 - CONTINUED

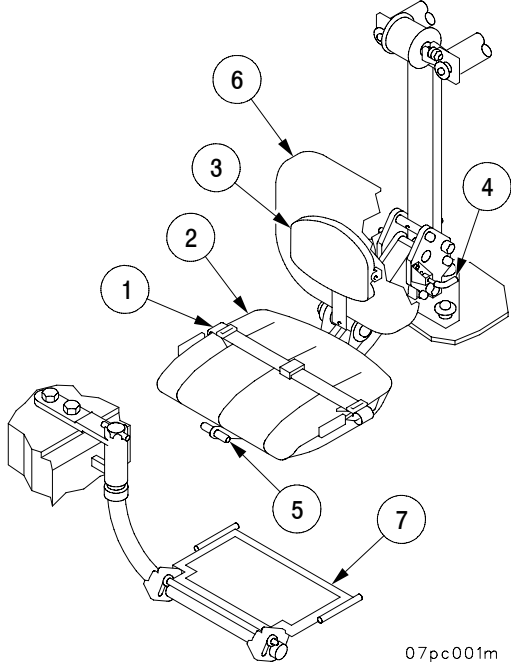
Item No.	Interval	Location	<u>Crewmember Procedures</u>	Not fully Mission Capable If:
		Item To Check/Service		
78 Cont	Weekly	Seats	<p><u>Chief of Section</u></p> <p>Inspect seat belt (1) seat cushion (2), and backrest pad (3) for deterioration. Make sure seat belt (1) buckle and end plate engage securely. Make sure seat adjustment levers (4 and 5) securely lock seat in all positions. Make sure seat backrest/stand (6) folds and unfolds without binding. Check footrest (7) in all positions for free rotation and locking. Check for loose, missing, or broken mounting hardware.</p>  <p style="text-align: right;">07pc001m</p>	
79	Weekly	Slip Ring Segment Board Assembly	<p><u>Crew</u></p> <p>Clean slip ring segment board assembly (para 3-8.17).</p>	

TABLE 2-1. PREVENTIVE MAINTENANCE CHECKS AND SERVICES FOR HOWITZER, SELF-PROPELLED, M109A6 - CONTINUED

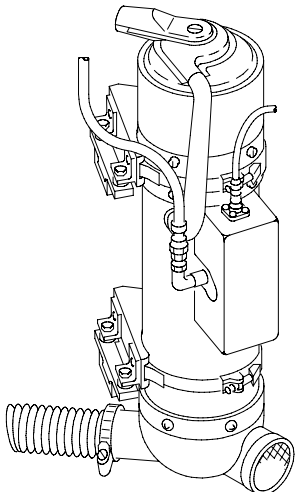
Item No.	Interval	Location	Crewmember Procedures	Not fully Mission Capable If:
		Item To Check/Service		
80	Weekly	Personnel Heater	<p><u>Gunner</u></p> <div style="border: 2px solid black; padding: 5px; text-align: center; margin: 10px 0;">WARNING</div> <ul style="list-style-type: none"> • Do not operate personnel heater while vehicle is in motion. • If the heater operates improperly, fuel may overflow, causing danger of fire or explosion. • Be alert during heater operation for exhaust odors or signs of exposure to carbon monoxide. Carbon monoxide can kill you. If present, shut off the heater and ventilate the vehicle. • Explosive/flammable materials are a fire hazard. Do not store aerosol cans, solvents, fuel, etc., anywhere inside vehicle. Stow ammunition and powder in authorized stowage racks. <ol style="list-style-type: none"> a. Operate personnel heater for at least 5 minutes each week. Be alert for signs of damage, loose fittings, loose connections, and fuel leaks; notify unit maintenance if any are found. b. Check crew/driver duct outlets for steady warm air output. If there is no warm air output, shut off heater and notify unit maintenance. <div style="text-align: center; margin-top: 20px;">  </div> <p style="text-align: right; margin-right: 50px;">22ph001m</p>	Any sign of fuel leakage.

TABLE 2-1. PREVENTIVE MAINTENANCE CHECKS AND SERVICES FOR HOWITZER, SELF-PROPELLED, M109A6 - CONTINUED

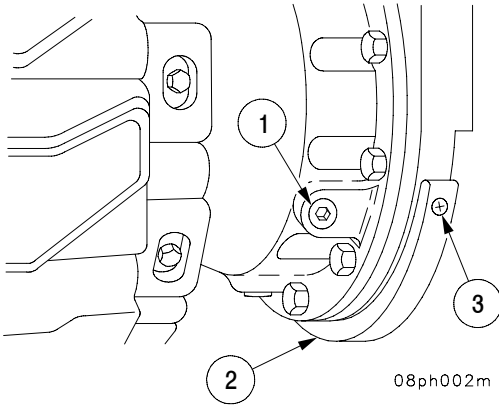
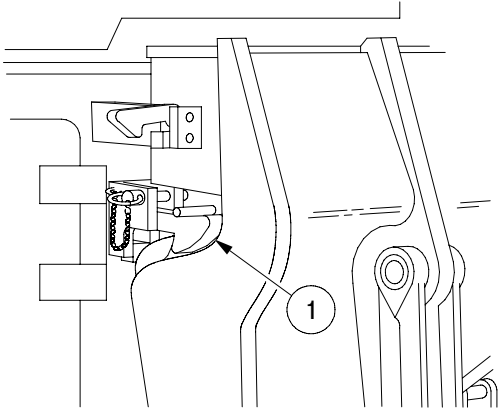
Item No.	Interval	Location	<u>Crewmember Procedures</u>	Not fully Mission Capable If:
		Item To Check/Service		
81	Monthly	Final Drive	<p><u>Driver</u></p> <p>Check for oil leaks. If oil leaks are found, notify unit maintenance.</p> <p>Remove level check plug (1). Oil should be level with bottom of opening. If not, lubricate per Appendix I. Clean and reinstall plug.</p> <p>Check for cracked or missing skid plates (2), loose, or missing screws (3). Notify unit maintenance.</p>  <p style="text-align: right;">08ph002m</p>	
82	Monthly	Spade	<p><u>Gunner</u></p> <p>Check operation of spade latches (1) in stowed position. Remove burrs from corners and spade face.</p> <p>Make certain all spade components are present and that latches are secure and there are no broken weld joints.</p>  <p style="text-align: right;">20ph001m</p>	

TABLE 2-1. PREVENTIVE MAINTENANCE CHECKS AND SERVICES FOR HOWITZER, SELF-PROPELLED, M109A6 - CONTINUED

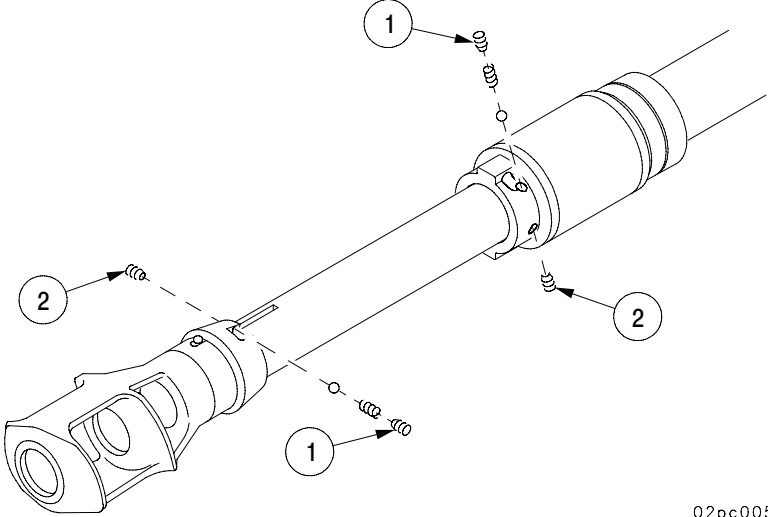
Item No.	Interval	Location	Crewmember Procedures	Not fully Mission Capable If:
		Item To Check/Service		
83	Monthly	Muzzle Brake and Bore Evacuator Assembly Thrust Collar Setscrews	<p><u>Chief of Section</u></p> <div style="border: 2px solid black; padding: 5px; text-align: center; margin: 10px 0;">WARNING</div> <p>Failure to maintain bore evacuator properly will expose Crew to air contaminated with carbon monoxide, producing symptoms of headache, dizziness, loss of muscular control, apparent drowsiness, and coma. Permanent brain damage and death can result from severe exposure.</p> <p>Inspect setscrew (1) holding the ball and spring in place. This setscrew must be staked to prevent loosening which will cause the bore evacuator and muzzle brake thrust collar to rotate. If this screw is not staked, notify unit maintenance.</p> <p style="text-align: center;">NOTE</p> <p>Setscrew (2) is removable to provide an access to release the ball lock. It should not be staked.</p> <div style="text-align: center; margin: 20px 0;">  </div> <p style="text-align: right; margin-right: 50px;">02pc005ma</p> <p>To inspect locking ball and spring, remove un-staked screw and insert screwdriver in hole. Push against lock ball to see if ball moves around freely. If ball moves freely and there's no resistance from spring, notify unit maintenance.</p>	Staked setscrew is missing.

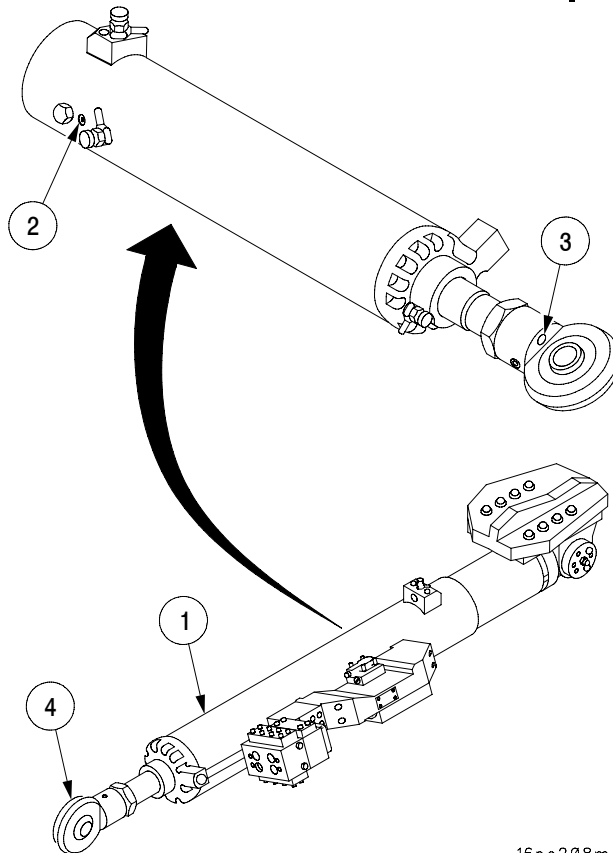
TABLE 2-1. PREVENTIVE MAINTENANCE CHECKS AND SERVICES FOR HOWITZER, SELF-PROPELLED, M109A6 - CONTINUED

Item No.	Interval	Location	Crewmember Procedures	Not fully Mission Capable If:	
		Item To Check/Service			
83 - Cont	Monthly	Muzzle Brake and Bore Evacuator Assembly Thrust Collar Setscrews - Continued	<p><u>Chief of Section</u></p> <div style="border: 1px solid black; padding: 5px; text-align: center; margin: 10px 0;">WARNING</div> <p>Failure to maintain bore evacuator properly will expose Crew to air contaminated with carbon monoxide, producing symptoms of headache, dizziness, loss of muscular control, apparent drowsiness, and coma. Permanent brain damage and death can result from severe exposure.</p> <p>Inspect setscrew (1) holding the ball and spring in place. This setscrew must be staked to prevent loosening which will cause the bore evacuator and muzzle brake thrust collar to rotate. If this screw is not staked, notify unit maintenance.</p> <p style="text-align: center;">NOTE</p> <p>Setscrew (2) is removable to provide an access to release the ball lock. It should not be staked.</p>		
				<p>Separate main reservoir (3) and preresevoir (4) (para 3-8.8). Inspect O-rings (preformed packings) (10 and 11) on the outer and inner grooves of preresevoir (4) and O-ring (12) on the inner groove of main reservoir (3) for damage or missing. Remove any soot from inside the main reservoir (3). Clean and lubricate three metering holes (5), nine evacuator balls (6), nine preresevoir orifices (6.1), 10 evacuator orifices (7), tube threads (8), and ring valve (9) (Appendix I).</p> <p style="text-align: center;">NOTE</p> <p>After installing setscrew (1), notify unit maintenance for torquing.</p>	<p>If any ball is missing. If either end O-ring (preformed packing) is damaged or missing, or if internal O-ring is damaged or missing, or signs of gas wash or soot past O-ring.</p>

02pc007ma

TABLE 2-1. PREVENTIVE MAINTENANCE CHECKS AND SERVICES FOR HOWITZER, SELF-PROPELLED, M109A6 - CONTINUED

Item No.	Interval	Location	Crewmember Procedures	Not fully Mission Capable If:
		Item To Check/Service		
84	Monthly	Elevation Cylinder	<p><u>Chief of Section</u></p> <p>Elevate and depress cannon 3 times. Wipe down elevation cylinder (1). Elevate and depress cannon 25 times and observe the center vent hole (2) and the vent hole (3) on end of cylinder rod (4). Six drops of oil are permitted from each vent hole during this operation.</p>	



16pc208m

Section III. OPERATION UNDER USUAL CONDITIONS

2-6 ASSEMBLY AND PREPARATION FOR USE.

Before operating a new or reconditioned vehicle, make sure unit maintenance services the vehicle.

2-7 INITIAL ADJUSTMENT AND DAILY CHECKS.

Performing the Preventive Maintenance Checks and Services (PMCS) in Section II before, during, and after operation makes sure that all adjustments and daily checks required for effective vehicle operation will be completed.

2-8 OPERATING PROCEDURES.

Familiarize yourself with all the controls, instruments, and procedures before attempting to operate the vehicle.

WARNING

- Be familiar with all driver's controls. The two stage accelerator is provided to compensate for variations in driver's seat height and in driver's physical characteristics. DO NOT mistake raised portion of accelerator for a brake. Failure to comply with this warning could result in injury or death to personnel.
- Protect your hearing. Hearing protection is required when operating the vehicle due to high intensity noise.
- Do not move vehicle unless the hatches and doors are secured and equipment is properly stowed.
- Fasten the seat belt. Drive carefully. Take it easy until you can operate with skill.
- If a track is thrown while operating vehicle, do not apply brake; coast to a stop.

2-8 OPERATING PROCEDURES - CONTINUED

CAUTION

- Never leave your vehicle unattended while engine is running.
- To prevent engine damage and overheating, set throttle control lever to run engine at 1000 to 1200 rpm on tachometer and run engine for a period of 5 minutes or until coolant temperature is 185°F or below, prior to shutdown.
- To prevent damage and overheating of engine and transmission when starting from a halt, begin with transmission in Range 1.
- To prevent transmission from overheating, do not hold howitzer on incline with transmission in gear.

Instructions and procedures for operating under unusual conditions are in Section IV.

2-8.1 Pre-Starting Instructions.

Check the controls before starting the vehicle. Be sure all the following have been done:

- a. Before Operation PMCS.

CAUTION

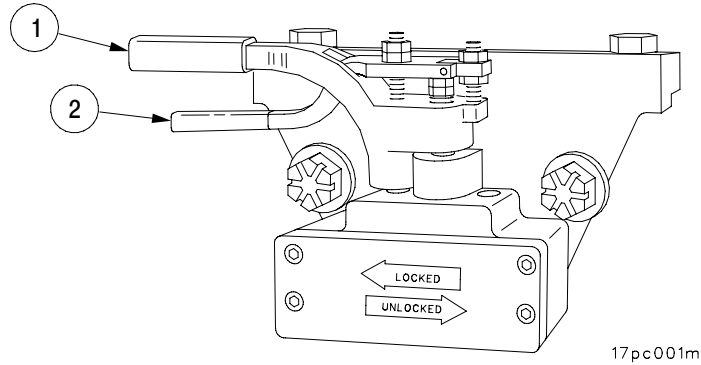
Do not operate vehicle with cannon tube out of travel lock. Operation with cannon tube out of travel lock can cause serious damage to elevating and traversing system.

- b. Cannon tube positioned in travel lock and jaw secured over cannon tube.

2-8 OPERATING PROCEDURES - CONTINUED

2-8.1 Pre-Starting Instructions - Continued

- c. Cab traverse lock secured. Squeeze handles (1) and (2) together to rotate cab traverse lock to locked position. If you have trouble getting over positioning hole, manually traverse cab slightly left or right to align lock teeth with cab ring teeth.



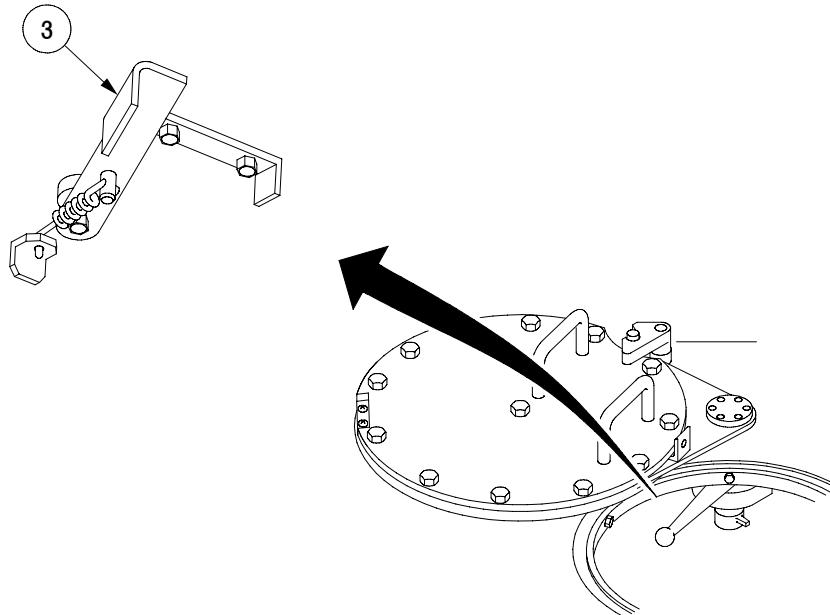
- d. Deleted.
- e. Driver's hatch must be locked either open or closed.

WARNING

Do not move vehicle if hatch will not lock. Failure to comply with this warning could result in injury or death to personnel.

(1) To close:

- (a) Move hold-open lock release handle (3) forward.



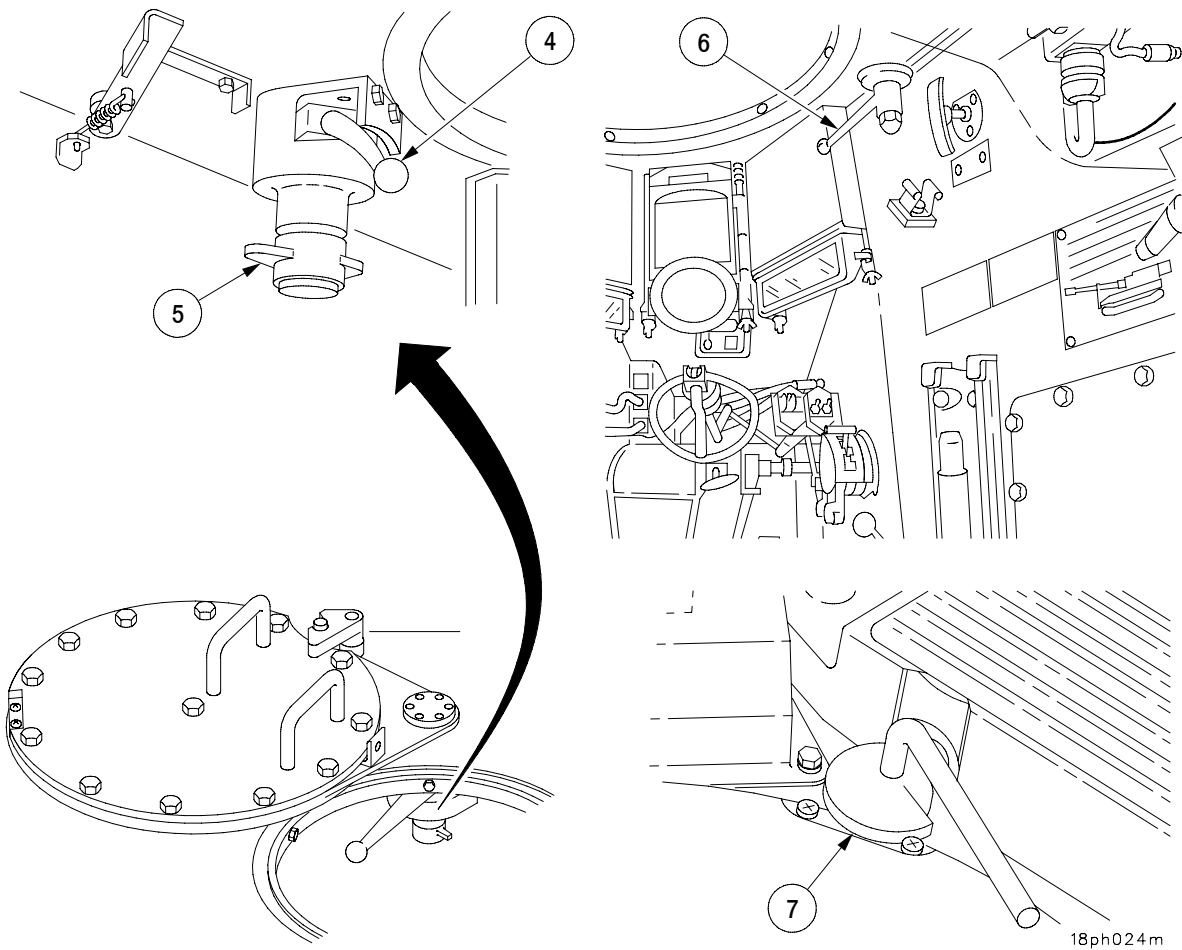
2-8 OPERATING PROCEDURES - CONTINUED

2-8.1 Pre-Starting Instructions - Continued

- (b) Pull down and forward on hatch elevating lever (4).
- (c) Tighten locking chuck (5) to lock hatch.
- (d) Move locking handle (6) rearward to lock hatch cover lock (7).

(2) To open:

- (a) Loosen locking chuck (5).
- (b) Move locking handle (6) forward to release hatch cover lock (7).
- (c) Pull down and rearward on hatch elevating lever (4). Hatch locks automatically.
- (d) Make sure hatch is securely locked.



2-8 OPERATING PROCEDURES - CONTINUED

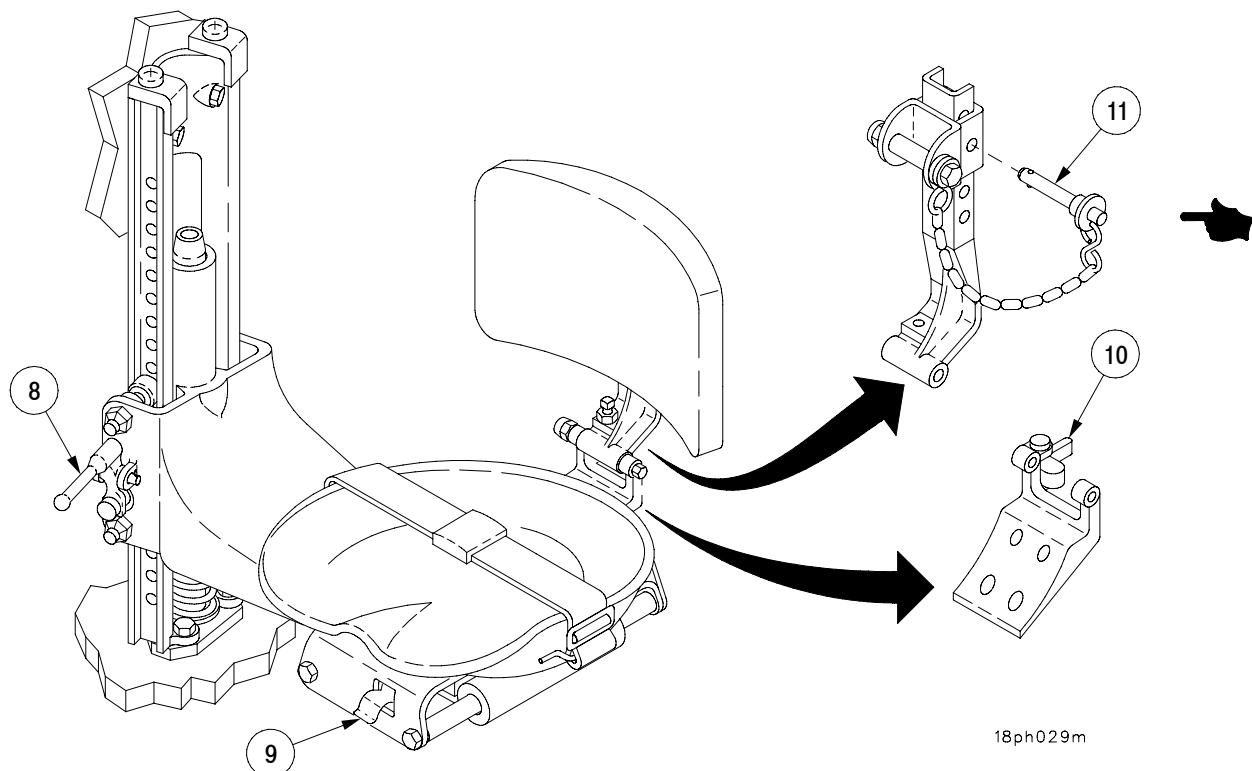
2-8.1 Pre-Starting Instructions - Continued

- f. Adjust driver's seat as necessary.

CAUTION

To avoid damage to mechanism, do not apply full weight when lowering seat.

- (1) Adjusting up and down. Hold seat down and pull up on adjusting lever (8). With lever raised, lift or press seat to obtain correct height. Release adjusting lever to lock in position.
- (2) Adjusting forward and backward. Pull up on adjusting tab (9) and move seat forward or backward. Release adjusting tab to lock in position.
- (3) Backrest positioning. Press pawl (10) and rotate backrest up and back. When backrest is positioned vertically, reposition pawl to lock backrest.
- (4) Adjusting backrest height. Remove quick-release pin (11) and lower or raise backrest. When desired height is obtained, install quick-release pin in adjusting holes.



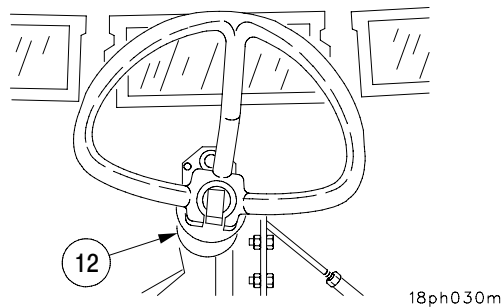
2-8 OPERATING PROCEDURES - CONTINUED

2-8.1 Pre-Starting Instructions - Continued

CAUTION

Do not raise steering wheel with night viewer installed. Damage to night viewer may result.

- g. Adjust steering wheel by pressing sleeve bearing (12) forward and rotating steering wheel up or down. Raise wheel if driving with hatch open; lower wheel when driving with hatch closed. When correct adjustment is obtained, release sleeve bearing to lock position.
- h. Instrument panel must be left inside except during maintenance.



2-8 OPERATING PROCEDURES - CONTINUED

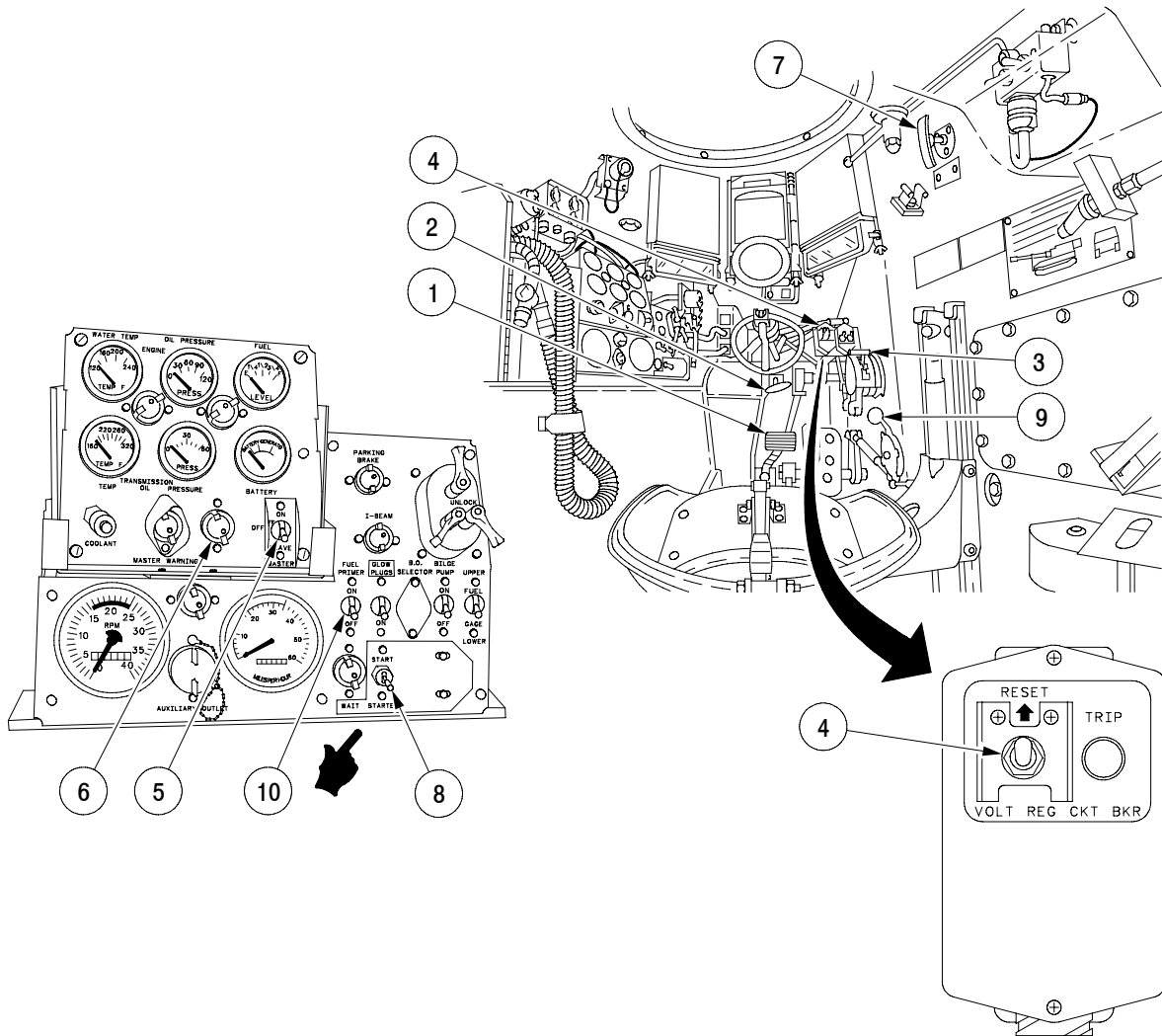
2-8.2 Starting Engine.

- a. Set vehicle brake by pressing down on service brake pedal (1), pull out and down on BRAKE lock handle (2); then release handle (2) to set brake.
- b. Shift transmission selector lever (3) into N (neutral).



Batteries will not be charged if voltage regulator circuit breaker switch is not in the UP position.

- c. Ensure generator voltage regulator circuit breaker switch (4) is in the UP position.



06ph017m

2-8 OPERATING PROCEDURES - CONTINUED

2-8.2 Starting Engine - Continued

- d. Turn MASTER switch (5) to ON. Indicator lamp (6) will illuminate.
- e. Pull out FUEL SHUTOFF handle (7) (to OFF position) before checking for hydrostatic lock.

CAUTION

Before starting engine, check for hydrostatic lock. The following are indications of hydrostatic lock:

- Engine starts to turn over with starter, then stops.
 - Starter sounds as if straining when cranking engine.
 - Engine seems to bind. If you suspect a hydrostatic lock, stop cranking immediately and notify unit maintenance.
- f. Check for hydrostatic lock by intermittently actuating STARTER switch (8).
 - g. Push FUEL SHUTOFF handle (7) in.
 - h. Place throttle control lever (9) in IDLE position.
 - i. If fuel filters have been drained, turn on FUEL PRIMER switch (10). Hold for 45 seconds and release.

WARNING

Protect your hearing. Due to high intensity noise, hearing protection is required when operating the vehicle.

CAUTION

Do not operate starter over 5 seconds. If engine fails to start, wait 10 seconds before engaging starter again. Damage to starter may result.

2-8 OPERATING PROCEDURES - CONTINUED

2-8.2 Starting Engine - Continued

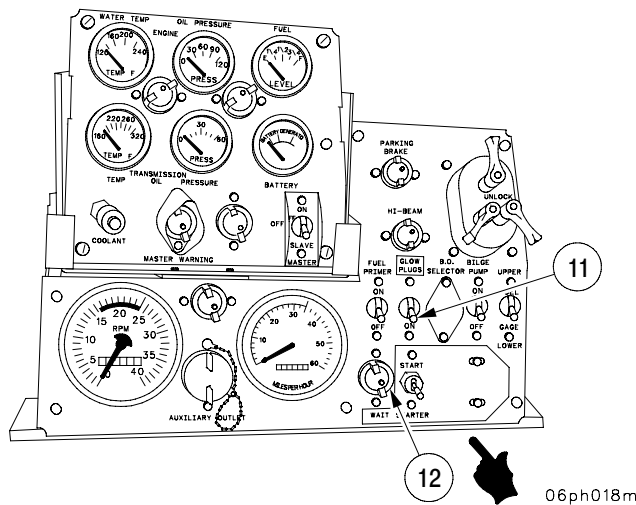
NOTE

A functional check of the glow plug system must be performed whenever operation in ambient temperatures below 50°F is anticipated and after any maintenance on the glow plug system is performed.

- j. Push GLOW PLUG switch (11) to ON position. Glow plug WAIT lamp (12) will light.
 - (1) At temperatures above 50° F, the WAIT lamp (12) will flash on for 1 second and turn off when the GLOW PLUG switch (11) is turned on.
 - (2) At temperatures below 50° F, the WAIT lamp (12) will turn on for 35 seconds and then flash on/off for another minute and turn off.
- k. If the glow plug WAIT lamp (12) does not turn on as indicated in Step 2, notify unit maintenance.

NOTE

A manual override for glow plug equipped engines is used in emergencies only, as determined by the chief of section. Manual override is affected by holding on continually the spring-loaded GLOW PLUG switch. Do not hold manual override switch on for more than 2 minutes.



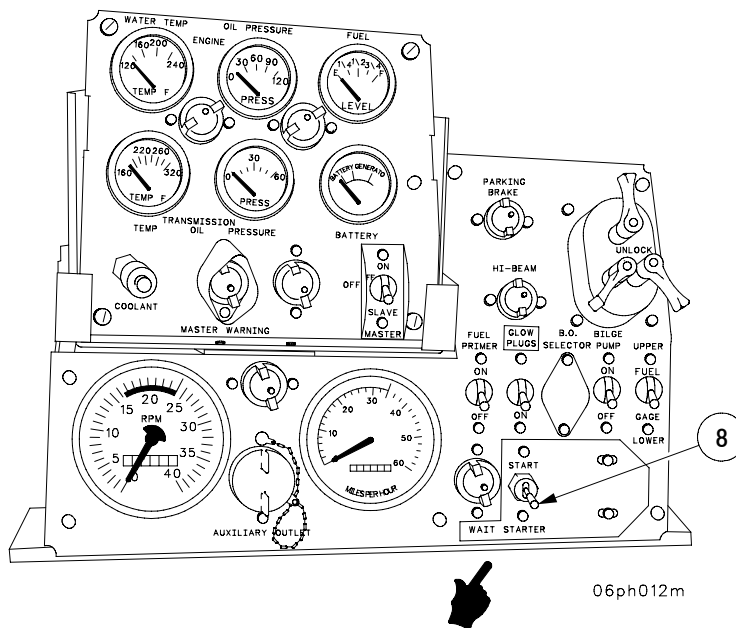
2-8 OPERATING PROCEDURES - CONTINUED

2-8.2 Starting Engine - Continued

NOTE

Starter protection device in engine compartment will disengage starter under the following conditions:

- After 30 seconds in temperatures above 50°F.
 - After 60 seconds in temperatures between 0°F and 50°F.
 - After 120 seconds in temperatures below 0°F.
 - Engine speed is high (engine has started).
 - Engine speed is low (low voltage).
- I. Push engine STARTER switch (8) to START position and hold for 2 or 3 seconds, but not more than 5 seconds until engine starts. If engine starts within four attempts, skip step (m) and go to step (n).



2-8 OPERATING PROCEDURES - CONTINUED

2-8.2 Starting Engine - Continued

CAUTION

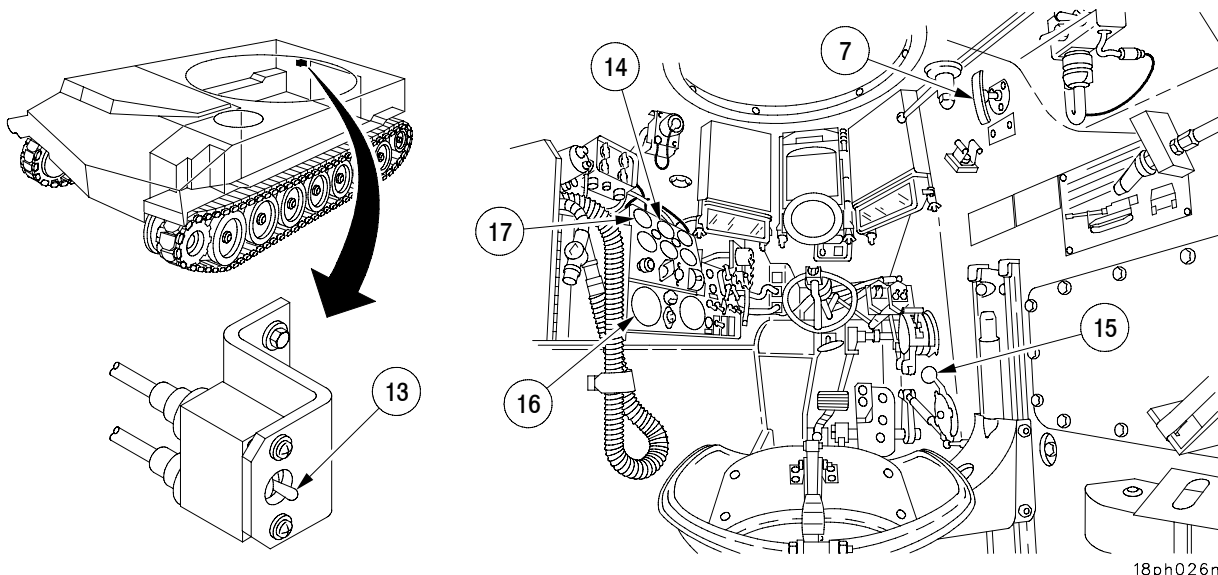
Starter protection override switch is to be used in emergencies only, as determined by chief of section. Excessive use of a starter protection override switch could result in damage to starter.

- m. If engine does not start in four attempts, engage starter protection override switch (13) as determined by the chief of section. If engine still does not start, notify unit maintenance.

CAUTION

If you notice a shrill whine above normal turbine whine, rubbing, unusual vibrations and a sudden increase in exhaust smoke, shut off engine and notify unit maintenance.

- n. With engine running, watch your ENGINE OIL PRESSURE gage (14). If engine oil pressure does not register within 15 seconds (approximately 5 to 30 psi at idle of 550-600 rpm) immediately pull FUEL SHUTOFF handle (7) and stop engine. Notify unit maintenance.
- o. Idle engine about 2 minutes. Adjust hand throttle control lever (15) and set to 1000 rpm (fast idle) on tachometer (16). Warm up engine until water temperature gage (17) reaches 170°F.
- p. During engine warm up, perform portable instrument panel checkout procedure (para 2-8.4).



902-8 OPERATING PROCEDURES - CONTINUED

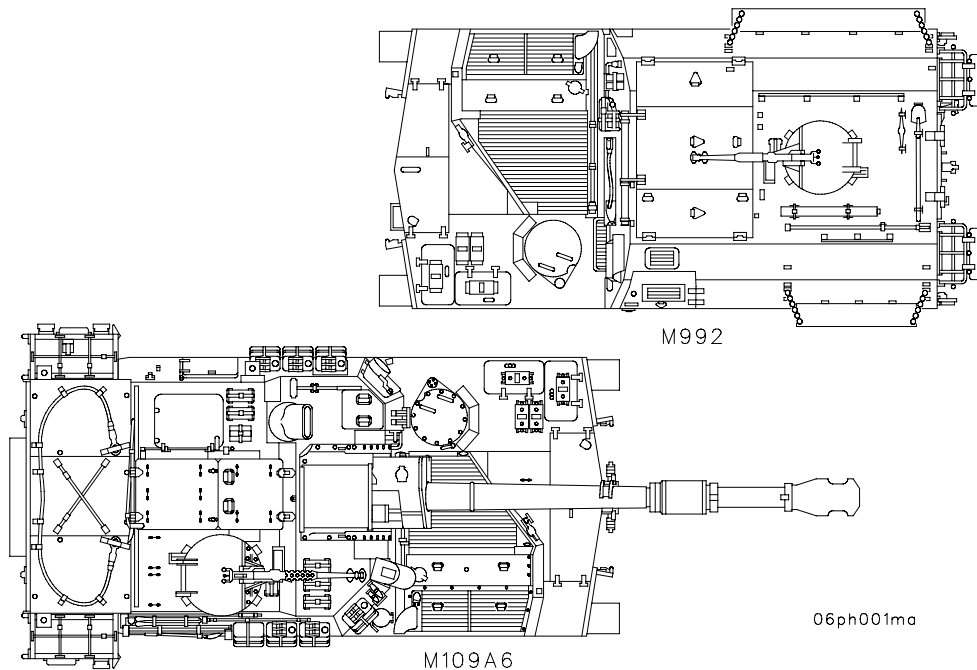
2-8.3 Starting Disabled Vehicle.

For tow starting, refer to para (2-8.12.3).

- a. Check batteries for damage. Notify unit maintenance if batteries are damaged.
- b. Check electrolyte level (TM 9-6140-200-14). Notify unit maintenance if electrolyte is not at proper level.

WARNING

- Do not park M992 in front of disabled vehicle. Personnel injury or damage to vehicles could occur if vehicle drifts forward.
 - Do not allow vehicles to touch. Allow enough space between them to permit working room. Shorted circuits could allow electricity to flow through vehicles, causing injury to personnel and/or damage to equipment.
- c. Park vehicles in a side-by-side position.



2-8 OPERATING PROCEDURES - CONTINUED

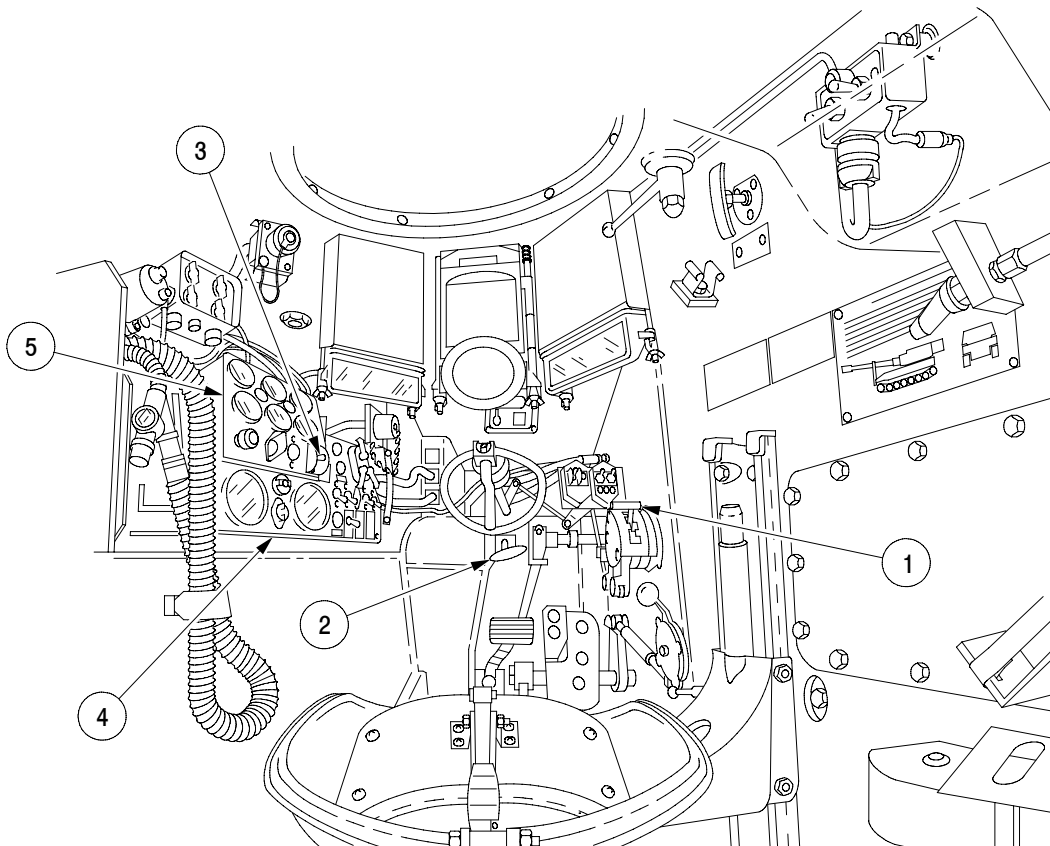
2-8.3 Starting Disabled Vehicle - Continued

- d. Place both vehicles' shift levers (1) in N (neutral) position.
- e. Set parking brakes (2) on both vehicles.

CAUTION

Make sure all electrical equipment and all switches are off in both vehicles to prevent damage to the electrical system.

- f. Place vehicle MASTER switch (3) in OFF position.
- g. Place all electrical switches in OFF position in the driver's (4) and portable (5) instrument panels on both vehicles.

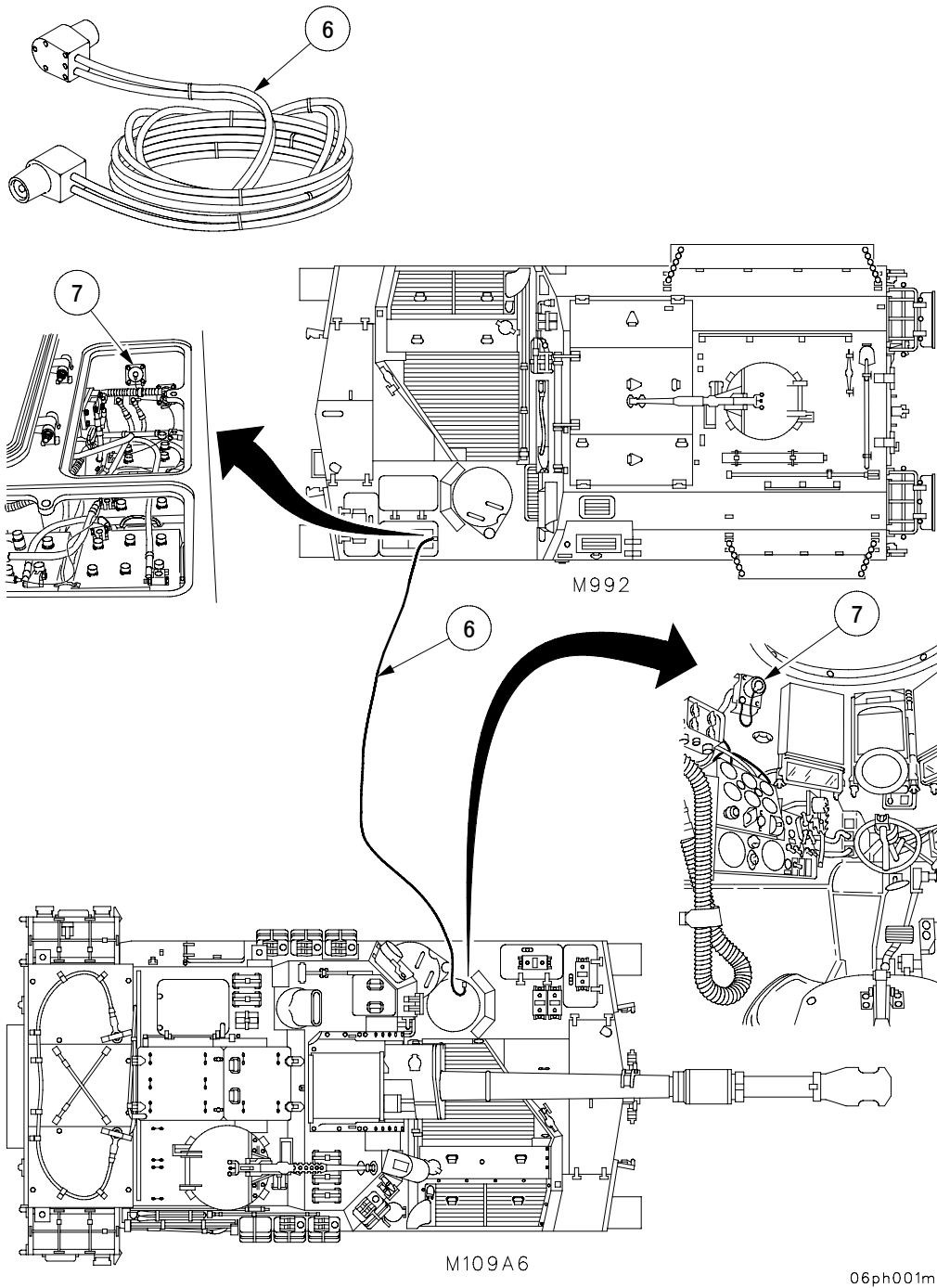


18ph027m

2-8 OPERATING PROCEDURES - CONTINUED

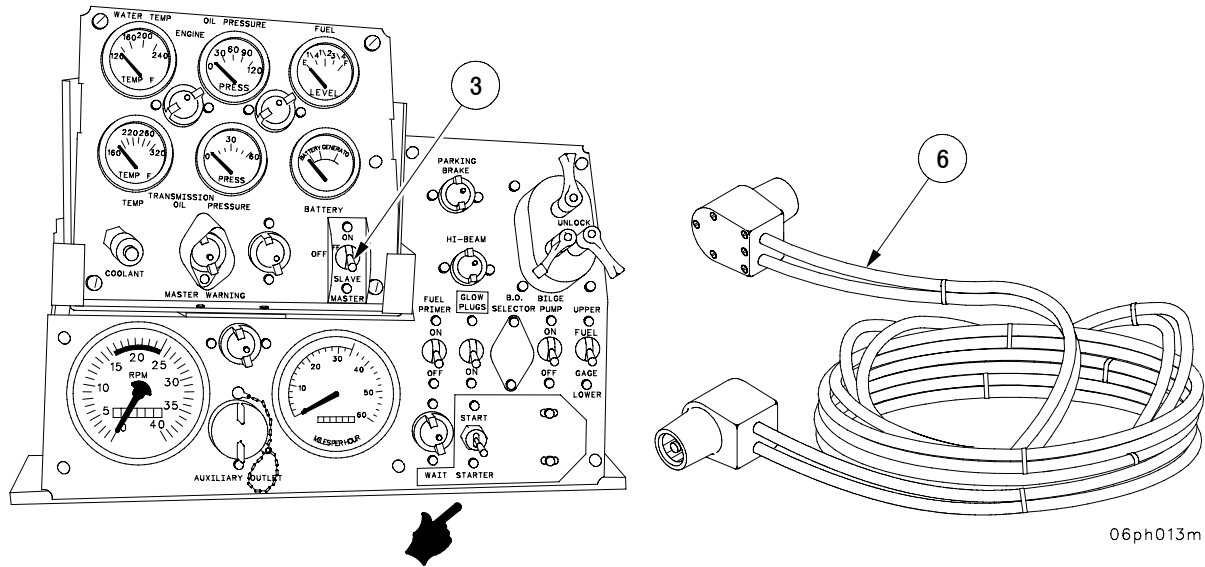
2-8.3 Starting Disabled Vehicle - Continued

- h. Attach slave cable (6) securely to slave receptacle (7) in both vehicles.



2-8 OPERATING PROCEDURES - CONTINUED

2-8.3 Starting Disabled Vehicle - Continued



WARNING

Make sure vehicle MASTER switches are OFF in both vehicles after vehicles are fully charged.

- i. Place vehicle MASTER switch (3) to OFF position on dead vehicle.
- j. Place vehicle MASTER switch to ON in live vehicle and run engine at 1000 to 1200 rpm.
- k. Allow batteries in dead vehicle to charge for 5 minutes before trying to start the engine.
- l. Idle engine of live vehicle and move vehicle MASTER switch to SLAVE position.
- m. Start up dead vehicle.
- n. After engine in disabled vehicle is running smoothly, turn OFF vehicle MASTER switch (3).
- o. Disconnect slave cable (6) from both vehicles.
- p. Turn both vehicle MASTER switches (3) ON again.

NOTE

After disconnecting slave cable, run both engines at 1000 rpm to stabilize generators (alternators) and charge batteries.

2-8 OPERATING PROCEDURES - CONTINUED

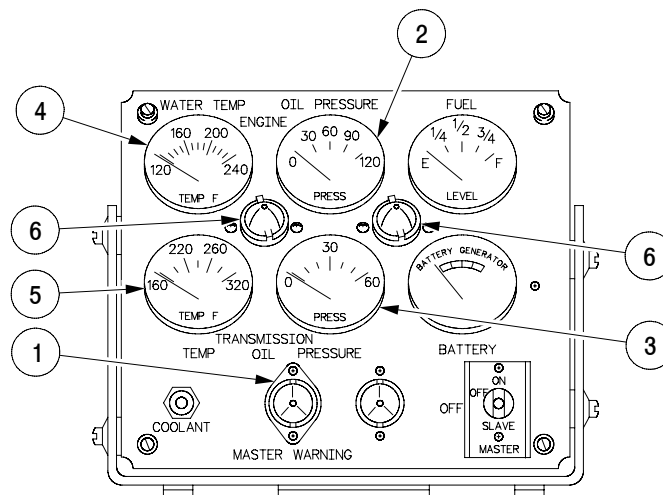
2-8.4 Portable Instrument Panel Checkout Procedures.

- a. MASTER WARNING light (1). Should go out after the engine has run for 15 seconds.
- b. ENGINE OIL PRESSURE gage (2). Normal range is a minimum of 5 psi at idle (650 rpm), 30 to 50 psi at 1800 rpm, and 50 to 70 psi at 2100 rpm (maximum is 70 psi).



If oil pressure is below 5 psi at idle (650 rpm) or below 30 psi at 1800 rpm, shutdown engine and check oil level.

- c. TRANSMISSION OIL PRESSURE gage (3). Normal range is 18 to 45 psi at 1835 to 1900 rpm. (Minimum is 10 psi at 1000 rpm.)
 - (1) If ENGINE OIL PRESSURE gage (2) or TRANSMISSION OIL PRESSURE gage (3) is low, stop engine and check oil level.
 - (2) If ENGINE WATER TEMP gage (4) or TRANSMISSION OIL TEMP gage (5) is high, set throttle to run engine at 1000 to 1200 rpm. If gages do not return to normal after 5 minutes, stop engine and check coolant level (para 3-7.1.1).
 - (3) If MASTER WARNING light (1) stays on, notify unit maintenance.
- d. Two panel lights (6). Illuminate portable instrument panel.



06ph014m

2-8 OPERATING PROCEDURES - CONTINUED

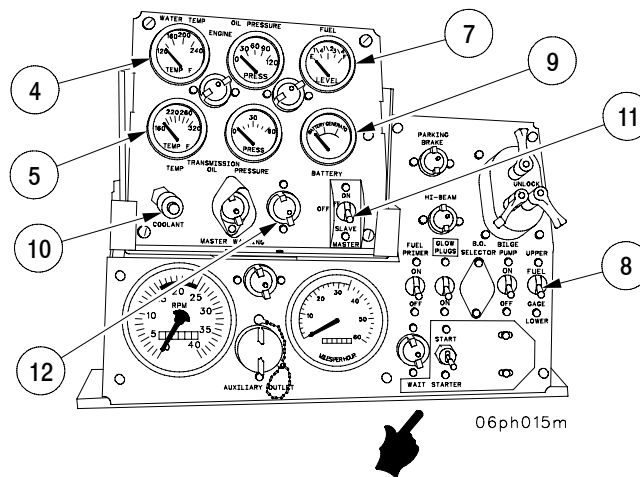
2-8.4 Portable Instrument Panel Checkout Procedures - Continued

- e. FUEL gage (7). Indicates fuel quantity available in either tank. Use FUEL GAGE switch (8) to select tank.
- f. BATTERY-GENERATOR indicator gage (9). Indicates battery status. Normal range is GREEN.
- g. TRANSMISSION OIL TEMP gage (5). Normal range is 220°F to 240°F. (Maximum is 300°F.)
- h. ENGINE WATER TEMP gage (4). Normal range is 170°F to 185°F. (Maximum is 230°F.)

WARNING

Do not remove radiator cap when engine is hot. Severe burns could result from failure to observe this warning.

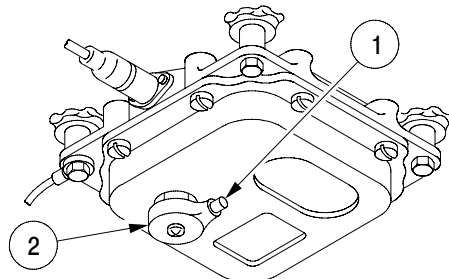
- i. COOLANT level indicator (10). Indicates coolant level in cooling system is low. Shut engine down and check coolant level.
- j. MASTER switch (11). Move to ON position to start engine. When MASTER switch is ON, master indicator light (12) is illuminated.



06ph015m

2-8.5 Dome Lights.

- a. Turn MASTER switch ON.
- b. Blue light on. Turn lever fully counterclockwise.
- c. White light on. Press safety latch (1) and turn switch lever (2) clockwise past stop.
- d. Both lights off. Position switch lever (2) in center.



06ph015m

2-8 OPERATING PROCEDURES - CONTINUED

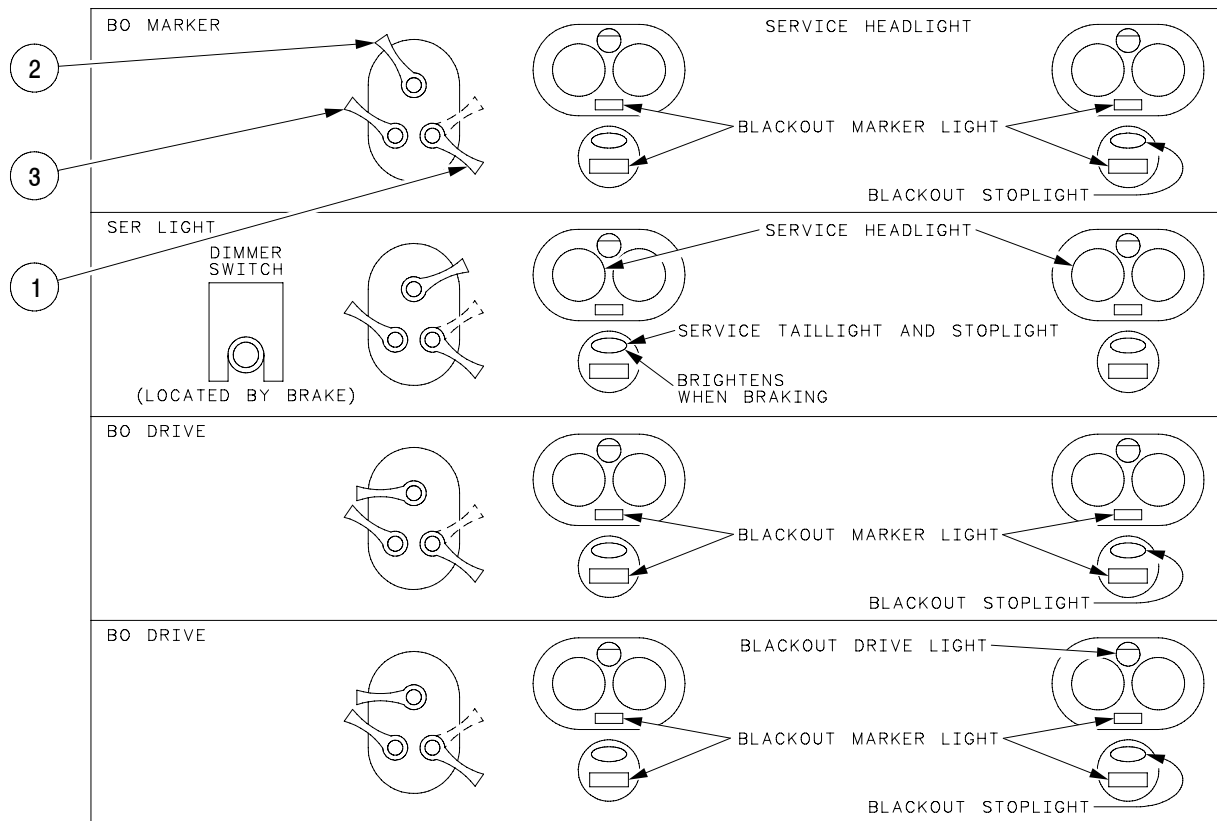
2-8.6 Light Switch Assembly.

The panels below show which lights are turned on by the different positions of the main light switch.

- Turn MASTER switch ON.
- Push up safety switch (1) to release main light switch (2). Release safety switch after main light switch is properly positioned.
- Push up on instrument panel light switch (3) to turn on instrument panel lamps.

NOTE

Infrared lights and the right Blackout Drive Light are disconnected on M109A6.



06ph016m

2-8 OPERATING PROCEDURES - CONTINUED

2-8.7 Transmission Shift Selection.

NOTE

- The transmission is equipped with a shift inhibitor which will restrict downshifting of the transmission until vehicle speed drops within the correct operating limits of the desired gear or range.
- Apply brakes to prevent vehicle speed from overrunning engine speed while downshifting.

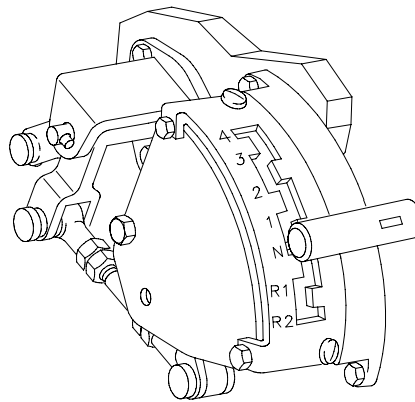
a. Neutral (N).



- Never descend an incline with transmission in neutral.
- Do not hold vehicle on incline with transmission in gear; instead, lock brake and shift transmission to neutral.

Use when:

- (1) Stopped/parked.
- (2) Engine starting/engine shutdown.
- (3) Idling.



07ph001m

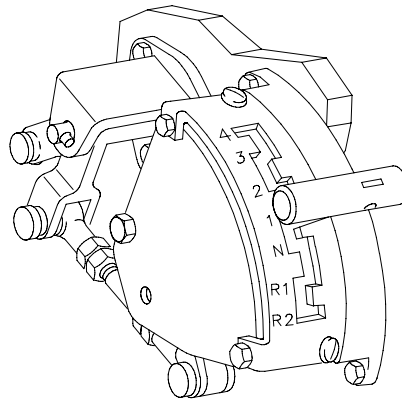
2-8 OPERATING PROCEDURES - CONTINUED

2-8.7 Transmission Shift Selection - Continued

b. 1st gear (1).

Use when:

- (1) Setting vehicle in forward motion during field operation. Upshift to a higher gear when vehicle speed permits.
- (2) Ascending or descending steep grades and on soft, muddy, or rough terrain.
- (3) Making short forward radius turns. Short radius turns on hard surfaces should be initiated from a standstill. (Maximum speed is 6 mph.)

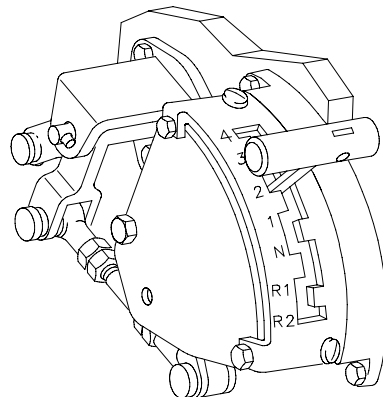


07ph002m

c. 2nd gear (2).

Use when:

- (1) Towing heavy loads.
- (2) Ascending or descending steep grades and on extremely muddy or rough terrain.
- (3) Making short forward radius turns. (Maximum speed is 9 mph.)



07ph003m

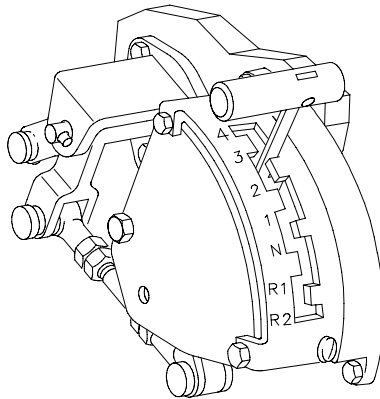
2-8 OPERATING PROCEDURES - CONTINUED

2-8.7 Transmission Shift Selection - Continued

- d. 3rd gear (3).

Use when:

- (1) Operating on hard surfaced roads until sufficient vehicle speed (12 to 15 mph) permits shifting to fourth (4) gear.
- (2) Pulling heavy loads for sustained periods and for ascending or descending on long grades (maximum speed is 24 mph).

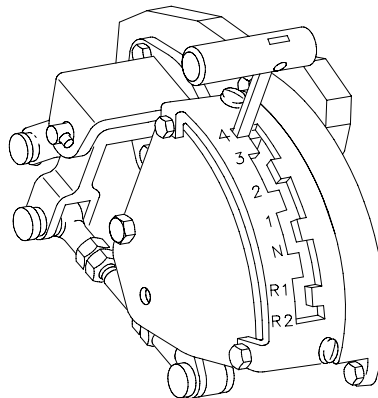


07ph004m

- e. 4th gear (4).

Use when:

Normal driving conditions are on firm, smooth, level ground. (Maximum speed is 38 mph.)



07ph005m

2-8 OPERATING PROCEDURES - CONTINUED

2-8.7 Transmission Shift Selection - Continued

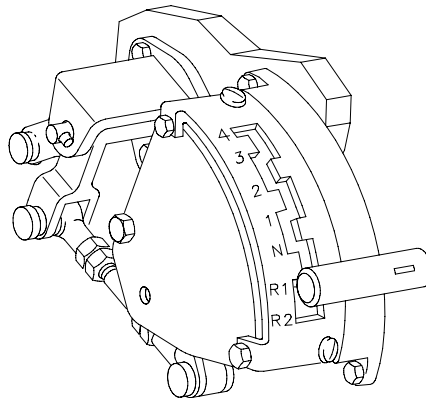
- f. Reverse-Range 1 (R1).



Never attempt to shift into reverse range unless the vehicle is at a dead stop and the engine is operating at idle rpm.

Use when:

- (1) Backing up (para 2-8.11).
- (2) Making turns with heavy loads or on soft ground.
- (3) Ascending steep grades in rearward movement for maximum engine power. (Maximum speed is 5 mph.)

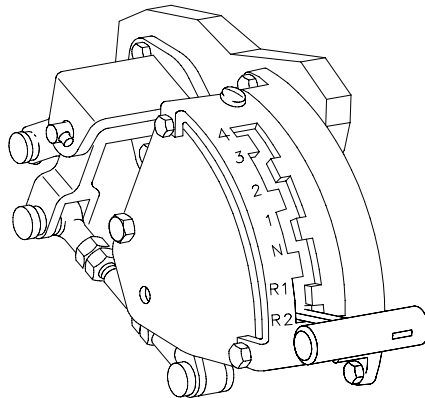


07ph006m

- g. Reverse-Range 2 (R2).

Use when:

On level, hard surfaces when rearward movement for long distance is necessary. (Maximum speed is 7 mph.)



07ph007m

2-8 OPERATING PROCEDURES - CONTINUED

2-8.8 Driving.

WARNING

- Be sure driver's hatch is locked either in the open or closed position.
- Drive carefully, especially if you're not familiar with the vehicle. Avoid oversteering and speeding on hard pavement; you could lose control of vehicle.
- When backing the howitzer, two personnel must guide the driver. Both guides stand to the left a safe distance from the vehicle. Front left guide must be visible to the driver.
- When maneuvering vehicle within 10 feet of a heavy or immovable object, ground guide must not get between vehicle and object.
- When backing vehicle, steering works in opposite direction from normal.

CAUTION

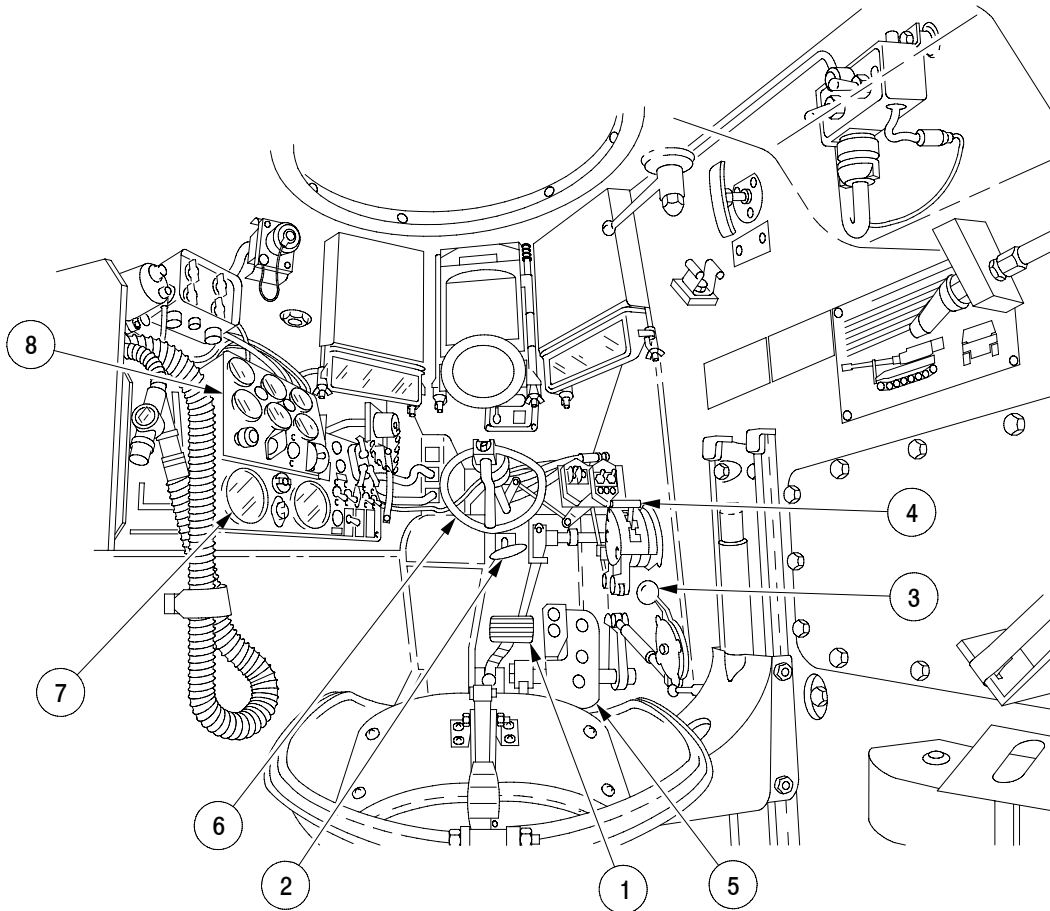
- Transmission must be shifted manually.
- When starting from a halt, begin with transmission in 1st gear to prevent damage and overheating of engine and transmission.
- Do not leave driver's compartment with engine running (except during firing).
- When starting on a hill, depress brake and place transmission in 1st gear position, increase engine speed and release brake.
- Don't hold vehicle on an incline with the accelerator or the transmission will overheat.
- Downshift before going down steep hills.

2-8 OPERATING PROCEDURES - CONTINUED

2-8.8 Driving - Continued

CAUTION

- Safely backing the howitzer requires special precautions. For backing the howitzer, follow the procedure detailed in para 2-8.11.
 - If you throw a track while driving, do not use the brake. Take foot off of the accelerator and coast to a stop.
 - When engine rpm is less than 1725, shift to a lower gear.
- a. Press down on brake pedal (1). Lift up and push in brake lock handle (2) to release hand brake.
 - b. With brake pedal (1) depressed and hand throttle control lever (3) in the idle position, move shift selector (4) from neutral (N) to 1st gear.
 - c. Release brake pedal (1) and push down on accelerator pedal (5) to obtain desired vehicle speed. Shift through intermediate gears to desired speed range (para 2-8.7).
 - d. To turn your vehicle, turn steering wheel (6).
 - e. While driving, check your tachometer (7) and gages on portable instrument panel (8).
 - f. Do your during operation PMCS (Table 2-1).



18ph028m

2-8 OPERATING PROCEDURES - CONTINUED

2-8.9 Driving Over Rough, Soft or Hilly Terrain.

WARNING

Approach an obstruction or obstacle head on when possible. Warn crewmembers to brace themselves. Secure hatches and doors.

2-8.9.1 Crossing a Ditch, Shell Hole, or Trench.

- a. Apply brakes and put transmission selector into low (1st) gear. Maximum trench crossing width is 72 in. (1.83 m).
- b. As soon as the vehicle reaches the bottom and starts to climb, depress the accelerator for power needed to climb out of the ditch.

2-8.9.2 Going Over an Obstacle.

- a. As you approach an obstacle (21-inches maximum vertical height), release the accelerator, apply the brake, and shift to low (1st) gear.
- b. Starting over the obstacle, apply full power. Release the accelerator pedal on reaching the crest and permit vehicle to settle over it. Balance vehicle forward of crest so it begins to move down.
- c. When front of tracks touch ground, add power and move on.

2-8.9.3 Starting Vehicle on an Upgrade.

When the vehicle is headed uphill, apply power before releasing the brake to avoid rolling backward.

2-8.9.4 Going Down Steep Grades.

CAUTION

- Do not use engine as a braking source for a long period of time. Transmission will overheat.
- Using the service brakes too long will burn them out. Release and apply brakes occasionally to cool them off.

Before going down a steep hill, shift transmission into 1st gear. Apply the brake periodically to help slow down.

2-8 OPERATING PROCEDURES - CONTINUED

2-8.9 Driving Over Rough, Soft or Hilly Terrain - Continued

2-8.9.5 Turning in Sand, Dirt, or Rocks.

CAUTION

Making sharp turns in 1st gear may cause a track to be thrown.

When turning in sand, shift to 1st gear and make gradual turns. If you make sharp turns in 1st gear, the track may be thrown.

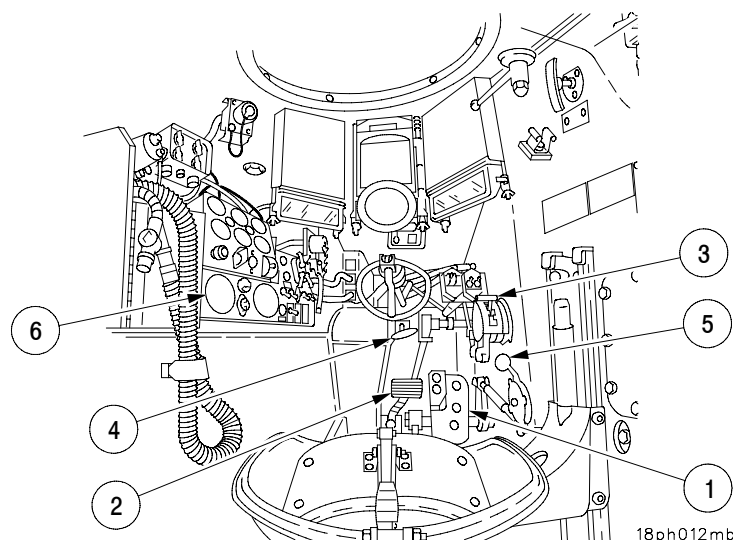
2-8.10 Stopping the Vehicle.

- a. Release accelerator pedal (1). Slowly depress brake pedal (2) until vehicle stops.
- b. With brake pedal (2) depressed, move shift lever (3) into Neutral. Pull out and down on parking brake lock handle (4). Release brake pedal (2).

CAUTION

Failure to observe shutdown procedures may result in engine failure.

- c. Set throttle control lever (5) to run engine at 1000 to 1200 rpm on tachometer (6). Run engine for a period of 5 minutes or until coolant temperature is 185°F or less.
- d. Set throttle lever (5) forward to return engine to normal idle (550 to 600 rpm).
- e. Turn off all communication and accessory switches.



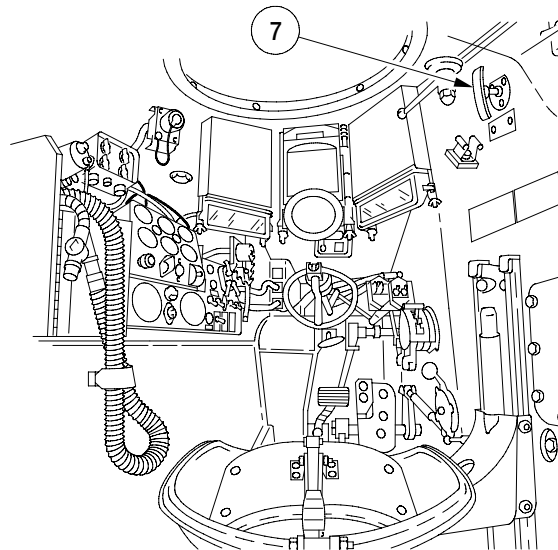
2-8 OPERATING PROCEDURES - CONTINUED

2-8.10 Stopping the Vehicle - Continued

- f. Pull out FUEL SHUTOFF control handle (7) to stop engine.

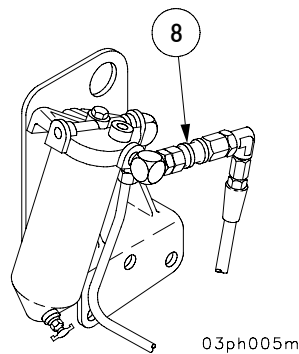
NOTE

If engine doesn't stop, proceed to step g.



18ph012mc

- g. Disconnect the main fuel inlet line at quick-disconnect connection (8) at primary fuel filter in engine compartment. Notify unit maintenance.



03ph005m

- h. Turn MASTER switch to OFF.

NOTE

After daily operations, fill the fuel tanks to prevent condensation. Use DIESEL FUEL only.

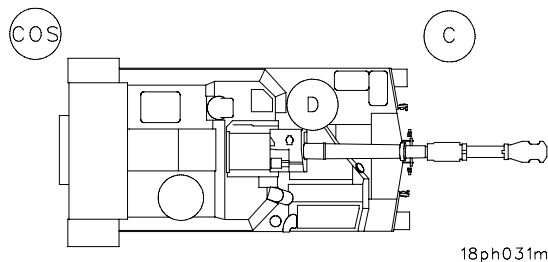
- i. Do your after operation PMCS (Table 2-1).

2-8 OPERATING PROCEDURES - CONTINUED

2-8.11 Backing the Howitzer.

WARNING

- When backing the howitzer, two personnel must guide the driver. Both guides stand to the left a safe distance from the vehicle. Front left guide must be visible to the driver.
 - When maneuvering vehicle within 10 feet of a heavy or immovable object, ground guide must not get between vehicle and object.
 - When backing vehicle, steering works in opposite direction from normal.
- a. To prepare for backing the howitzer, driver is seated at controls, looking to the left of the vehicle. Cannoneer stands to the left and front of the vehicle, visible to both the driver and chief of section. The chief of section stands to the left and rear of the vehicle, visible to cannoneer.
 - b. Chief of section signals cannoneer on direction and distances for safe backup. Cannoneer relays signals to the driver.



2-8.12 Towing Operations.

WARNING

- Vehicle engines must be shut off and brakes applied while tow cables are being connected or disconnected.
- An observer must be used to assist the driver when rigging the vehicle and during towing operations.
- When hooking or unhooking towbar from a disabled vehicle, set parking brake or chock tracks of disabled vehicle before hooking or unhooking towbar.

2-8 OPERATING PROCEDURES - CONTINUED

2-8.12 Towing Operations - Continued

WARNING

- If towed vehicle is not chocked, or parking brake not set, disabled vehicle may move causing injury or death to personnel and/or damage to equipment.
- Towing vehicle to start engine should be done on straight, smooth surface. Failure to do this may cause towed vehicle to lose control resulting in injury or death to personnel.

CAUTION

- The howitzer is authorized to tow only one vehicle at a time and to tow only when another vehicle is disabled, or when towing to start the engine.
- In an emergency, you can tow a vehicle for a short distance (not more than a mile) without removing universal joints. Put shift lever of towed vehicle in neutral position before starting towing operation. Do not exceed 10 mph. Proceed, being extra careful not to shift towed vehicle into gear accidentally.
- Vehicle must be towed backwards to keep the cannon from banging into the towing vehicle.

2-8.12.1 Towing Preparation.

CAUTION

- When universal joints are disconnected, you can not steer or brake.
- Tow cables may be used to tow a disabled vehicle short distances on fairly level terrain ONLY when brakes are operational. When towing a vehicle, there is a danger the towed vehicle will overrun the towing vehicle.
- Make sure tow cables are crossed to prevent damage to track.
- Tow pintle must not be used to position or push vehicle sideways.
- If using a tow bar while towing a howitzer, leaving storage baskets secured in the rear position may cause damage to storage baskets or tow vehicle.

2-8 OPERATING PROCEDURES - CONTINUED

2-8.12 Towing Operations - Continued

Remove universal joint assemblies:

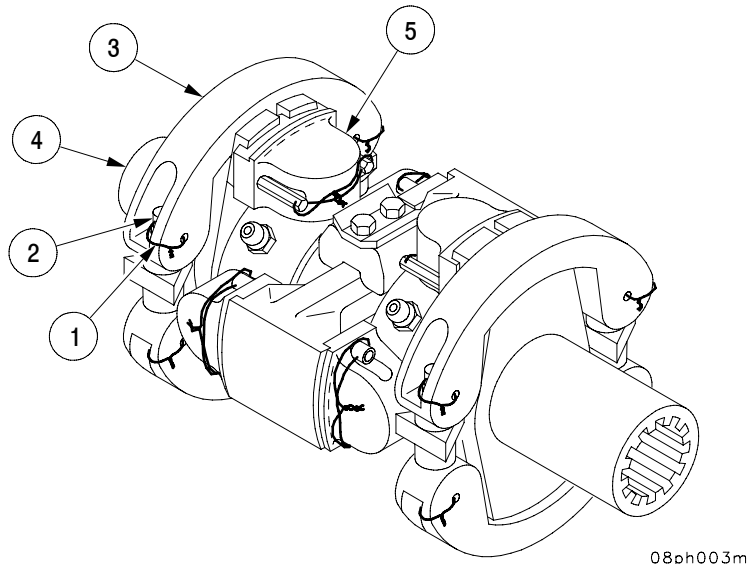
NOTE

To remove the right universal joint, the speedometer/VMS angle drive adapter must be removed from the transmission.

- a. Disengage travel lock and place in maintenance position (para 2-8.19.3).
- b. Open transmission access doors (para 2-8.14.9).
- c. Remove lockwire (1) and one screw (2) from each annular clamp (3).
- d. Remove annular clamps (3). Slide final drive input flange (4) toward drive housing.
- e. Remove each universal joint assembly (5).
- f. When using a tow bar, storage baskets must be in forward position prior to towing (para 2-8.14.3).

NOTE

- When towing the howitzer with a tow bar, storage baskets must be secured in the forward position to avoid damage from contact between the storage baskets and the tow vehicle during turns.
- If the towed vehicle requires additional side clearance in a tight area or is being towed in a wide arc, the storage baskets may be secured in the rear position provided a ground guide is used during towing.



2-8 OPERATING PROCEDURES - CONTINUED

2-8.12 Towing Operations - Continued

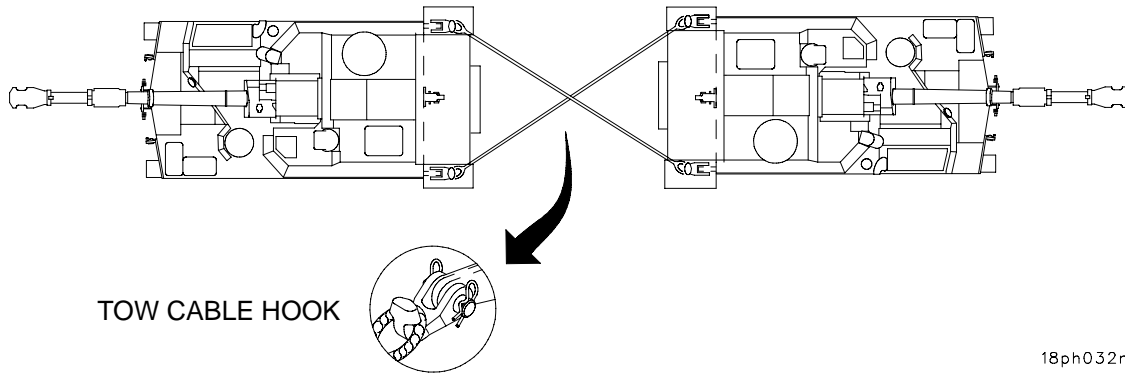
2-8.12.2 Towing a Disabled Vehicle With Tow Cables.



When a disabled vehicle is being towed, vehicles must be rear to rear to prevent damage to cannon of towed vehicle.

- a. Install tow cables as shown below.

TOW CABLE INSTALLATION



18ph032m

- b. Shift towed vehicle into neutral.
- c. Release brake of towed vehicle and signal observer.

2-8 OPERATING PROCEDURES - CONTINUED

2-8.12 Towing Operations - Continued

2-8.12.3 Towing a Vehicle to Start Engine.

**CAUTION**

When towing, be sure to steer in a wide arc to avoid collision when turning.

NOTE

Use the following procedure only in case of emergency or as a last resort.

- a. Traverse cab 3200 mils to keep tube from banging into the towing vehicle. Lower cannon to mechanical limit stops.
- b. Connect tow cables to front of disabled vehicle.
- c. Make sure observer is in towing vehicle to watch for signal by towed vehicle driver that engine has started.
- d. Shift disabled vehicle into 2nd.
- e. Turn vehicle MASTER switch to ON.
- f. Depress brake pedal and release parking brake lock.

**CAUTION**

Never depress accelerator pedal on towed vehicle.

- g. Tow vehicle in a straight line forward. Do not exceed 10 mph.
- h. After engine starts, shift to neutral and signal observer.
- i. Adjust hand throttle control lever to run engine at a fast idle (approximately 1000 rpm).
- j. Slowly depress brake pedal to prevent overrunning the towing vehicle.
- k. After both vehicles have stopped, lock brakes in parking position.
- l. Disconnect towing vehicle and place cannon in travel lock.

2-8 OPERATING PROCEDURES - CONTINUED

2-8.13 Operating Bilge Pump.



To check bilge pump, do not operate bilge pump dry longer than 1 minute, or wet for more than 15 minutes without engine running.

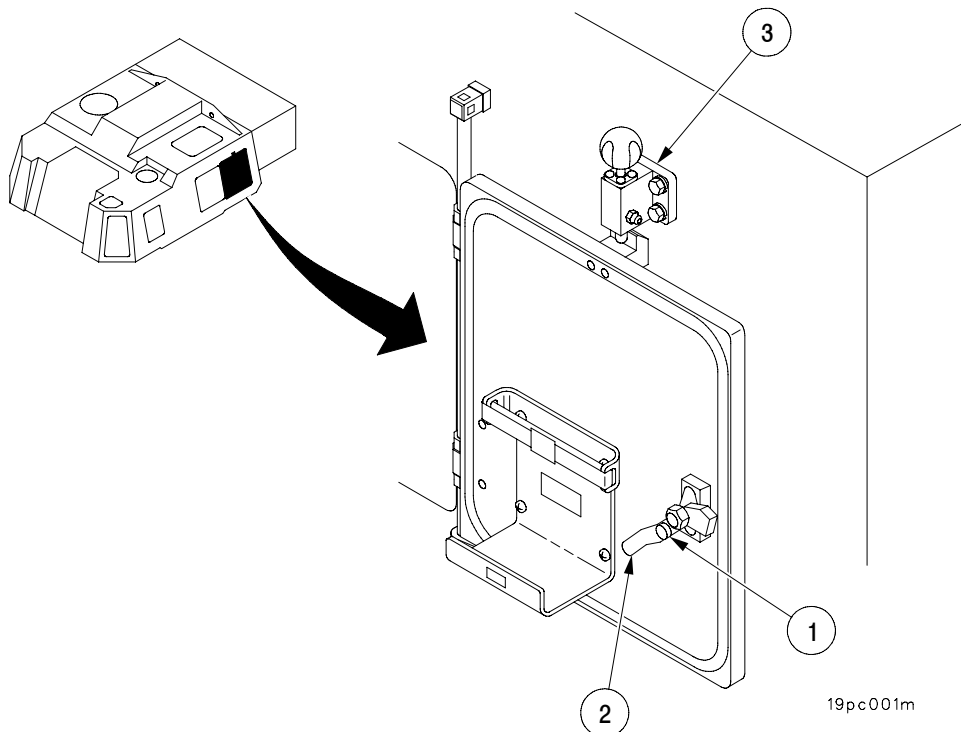
To drain water out of engine compartment, turn MASTER switch and BILGE PUMP switch to ON (para 2-1.2.1 and para 2-1.2.2).

2-8.14 Operating Hull Doors, Cab Doors, Grilles, and Baskets.



Make sure all latches are secured when operating with doors opened. Keep hands and arms out of openings when moving to prevent serious injury to personnel.

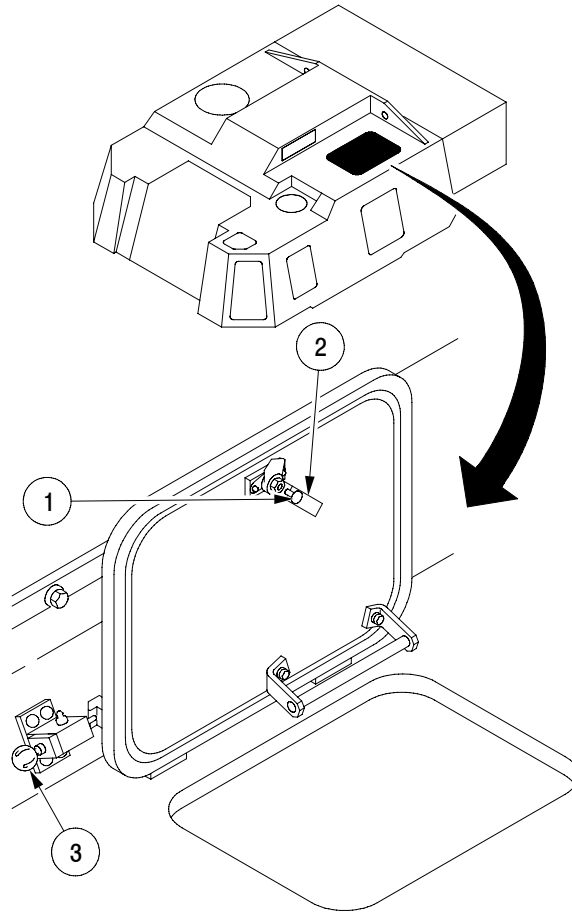
2-8.14.1 Cab Left Side Door. Push in knob (1) and pull up handle (2) to release. Secure with hold-open latch (3). To close door, pull up knob on latch (3) to release door. Swing door closed, push in knob (1), and pull down on handle (2).



2-8 OPERATING PROCEDURES - CONTINUED

2-8.14 Operating Hull Doors, Cab Doors, Grilles, and Baskets - Continued

2-8.14.2 Gunner's Escape Hatch. Push knob (1). Turn handle (2) to open hatch. Secure with hold-open latch (3) on side of MCS. To close door, pull down knob on latch (3) to release door. Swing door shut, push in knob (1), and turn handle (2).

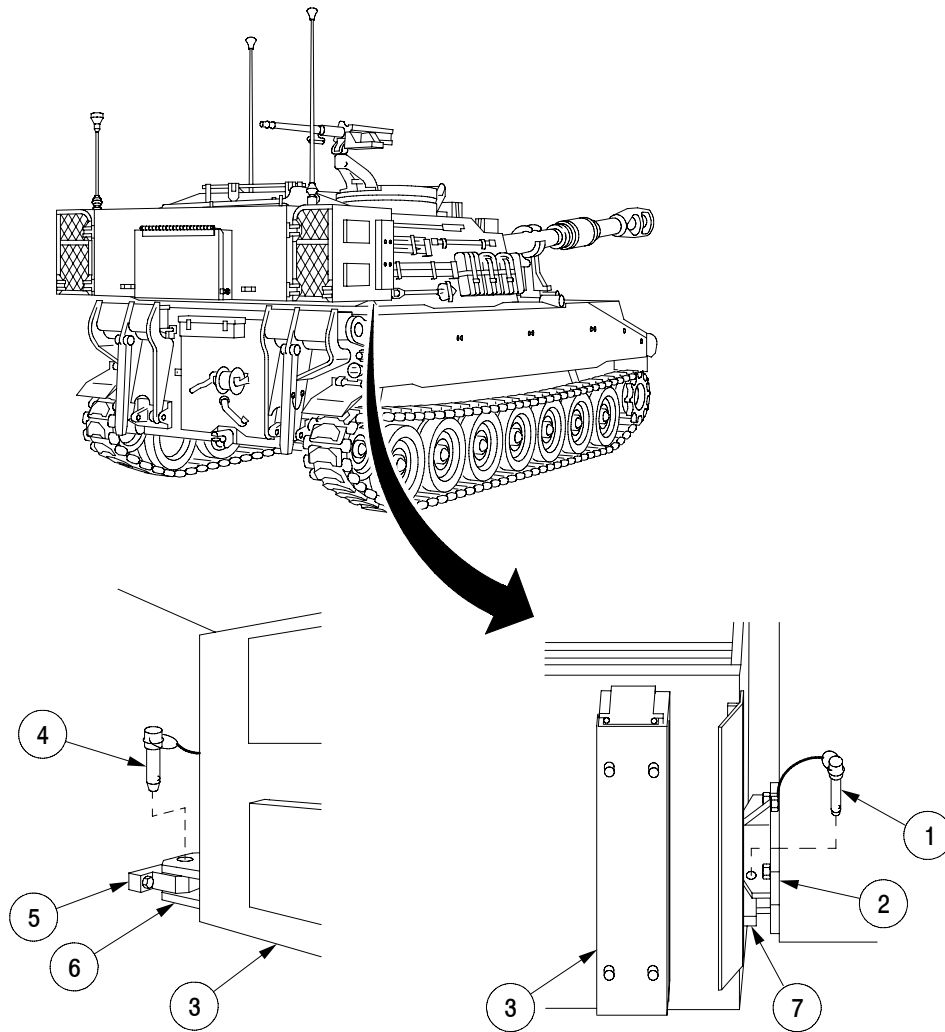


15pc001m

2-8 OPERATING PROCEDURES - CONTINUED

2-8.14 Operating Hull Doors, Cab Doors, Grilles, and Baskets - Continued

2-8.14.3 Baskets. Remove quick-release pin (1) from bracket (2) and swing basket (3) rearward. Remove quick-release pin (4) from basket (3). Push basket (3) until catch (5) is seated in retainer (6). Install pin (4) in retainer (6). To rotate basket to front, remove quick-release pin (4) from retainer (6) and swing basket (3) forward, until catch (7) is seated in bracket (2). Install quick-release pin (1) in bracket (2).



29pc001m

2-8 OPERATING PROCEDURES - CONTINUED

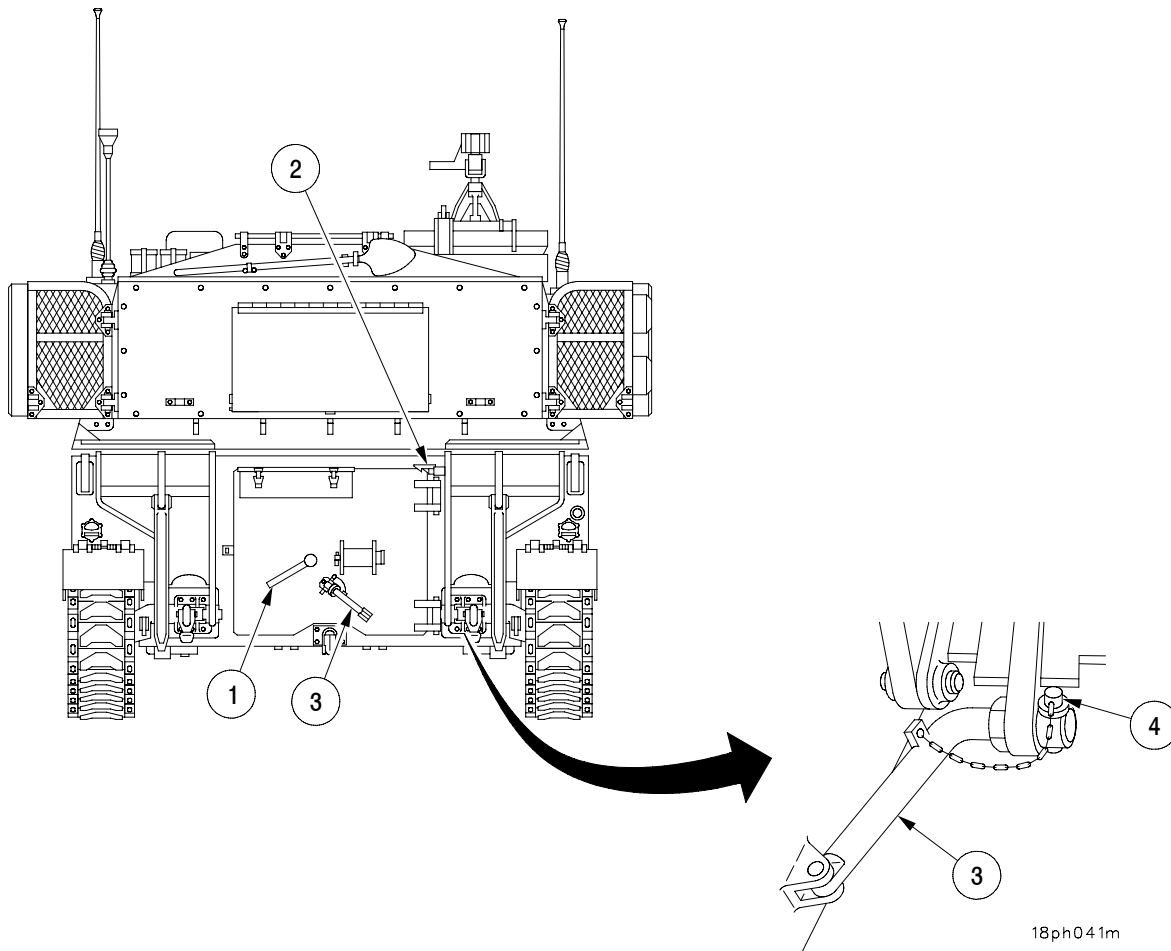
2-8.14 Operating Hull Doors, Cab Doors, Grilles, and Baskets - Continued

2-8.14.4 Crew Compartment Access Door. Pull up handle (1). Crew compartment access door is secured with a hold-open latch (2) and a hold-open strut (3). Secure strut (3) with pin (4). If hold-open latch fails to secure crew compartment access door, notify Unit Maintenance.

NOTE

When moving vehicle or firing howitzer with crew compartment access door open, place hold-open strut in tow lug and insert pin to hold in place.

To close, remove pin (4) from strut (3). Release hold-open latch (2). Swing door closed and pull down handle (1). Place strut (3) in stowed position on door.

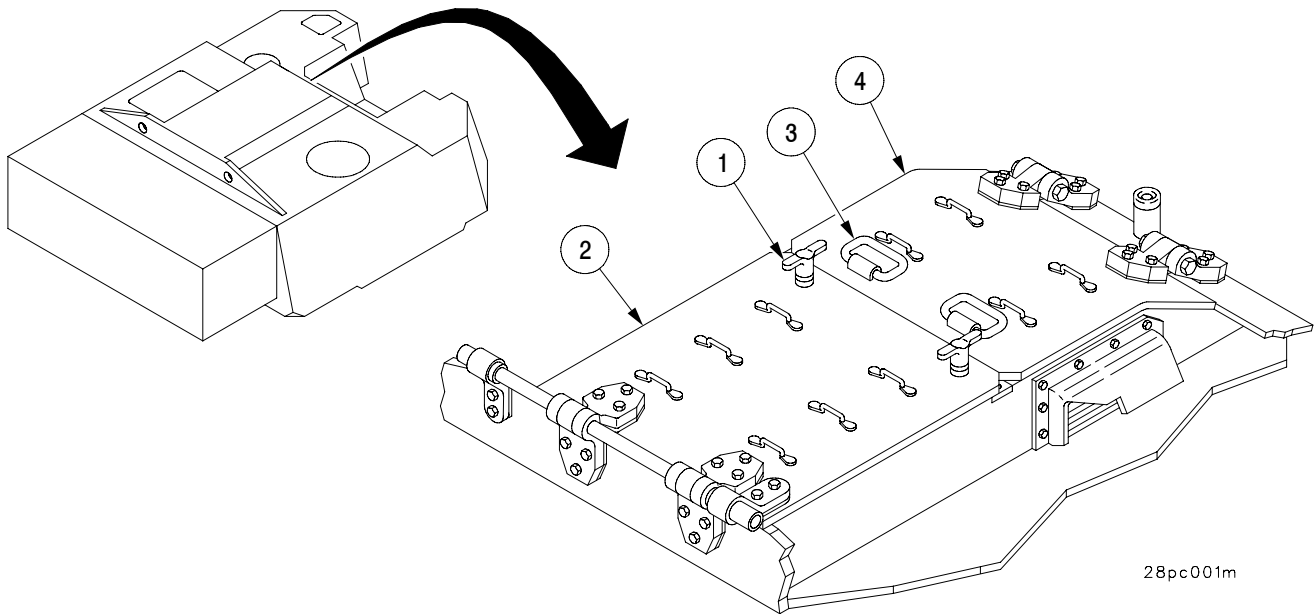


2-8.14.5 Driver's Hatch. Refer to para 2-8.1 for operating driver's hatch.

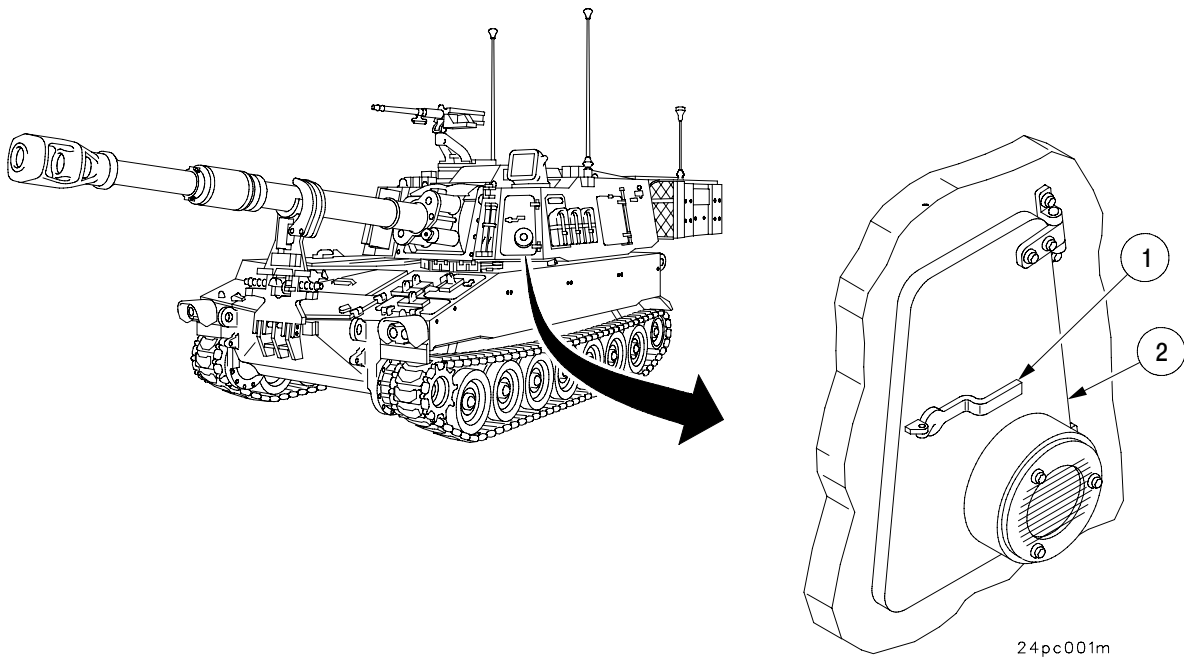
2-8 OPERATING PROCEDURES - CONTINUED

2-8.14 Operating Hull Doors, Cab Doors, Grilles, and Baskets - Continued

2-8.14.6 MCS Ballistic Enclosure. Unscrew two T-handles (1). Lift rear door (2) open. Use D-handles (3) to lift forward door (4) open. To close, swing forward door (4) closed. Swing rear door (2) closed and secure with two T-handles (1).



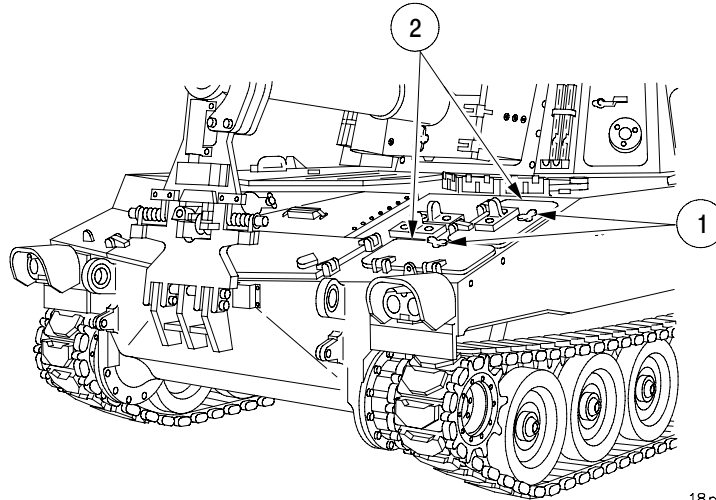
2-8.14.7 Hydraulic Compartment Access Door. Pull up handle (1). Open hydraulic compartment access door (2). To close, swing access door (2) closed and pull down handle (1).



2-8 OPERATING PROCEDURES - CONTINUED

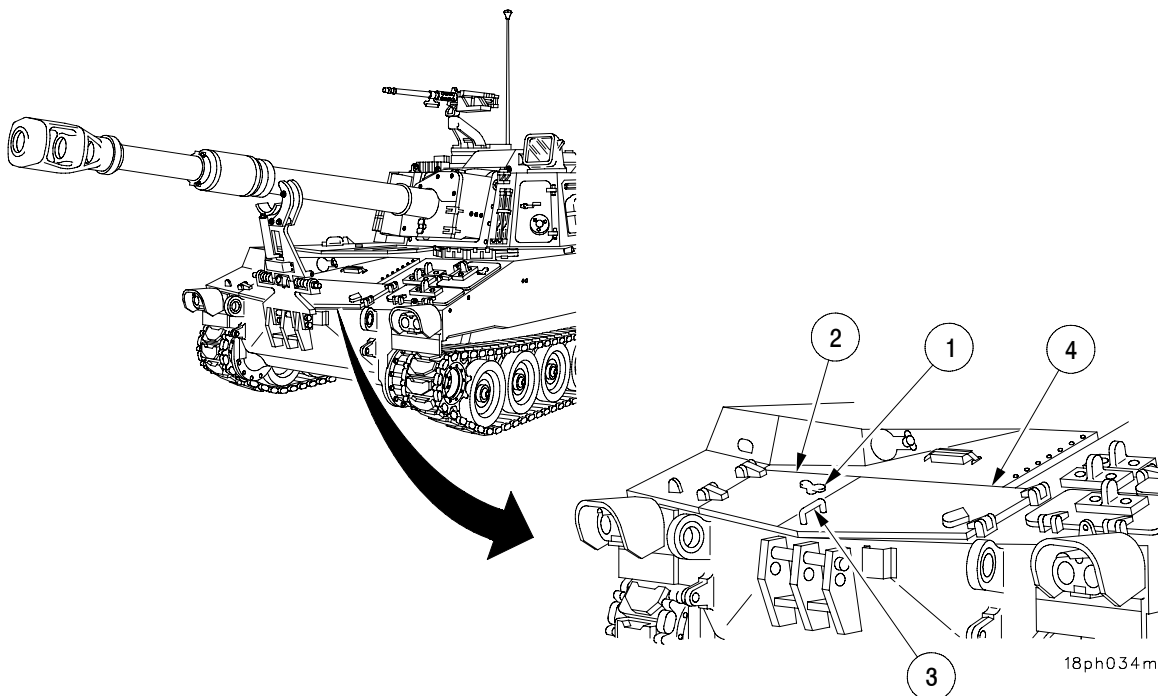
2-8.14 Operating Hull Doors, Cab Doors, Grilles, and Baskets - Continued

2-8.14.8 Battery Compartment Access Door. Unscrew T-handle (1). Open battery compartment access door (2). To close, swing access door (2) closed and secure with T-handle (1).



18ph033m

2-8.14.9 Transmission Access Door. Travel lock must be in the maintenance position (para 2-8.19.3). Unscrew T-handle (1). Open transmission access door (2). Use D-handle (3) to open door (4). To close, swing door (4) closed, swing door (2) closed and secure with T-handle (1).

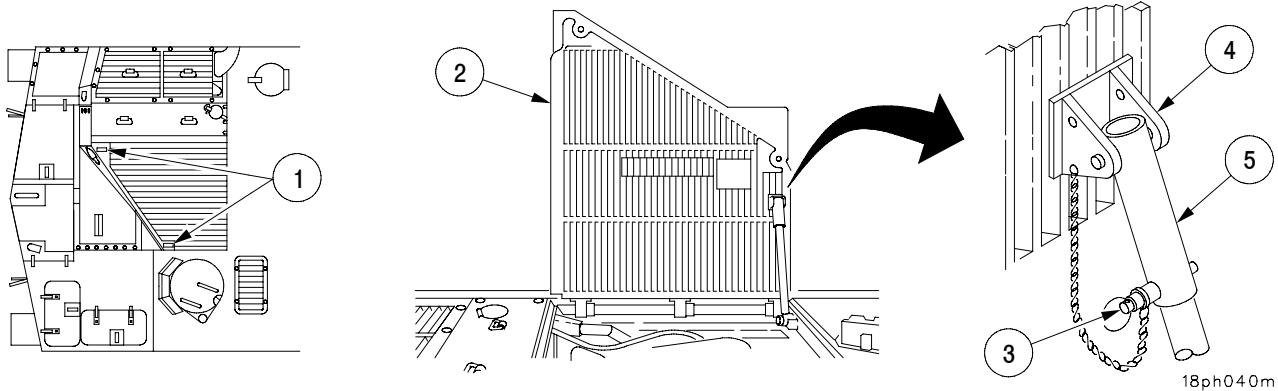


18ph034m

2-8 OPERATING PROCEDURES - CONTINUED

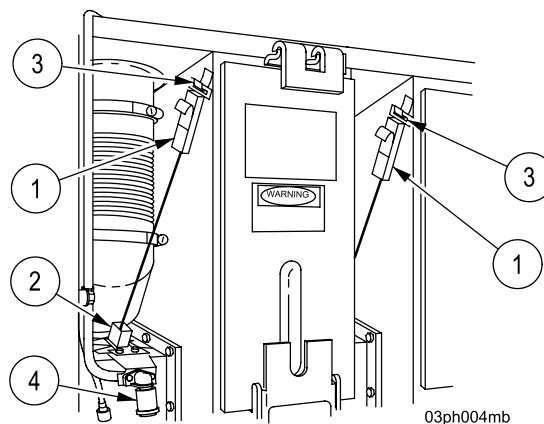
2-8.14 Operating Hull Doors, Cab Doors, Grilles, and Baskets - Continued

2-8.14.10 Engine Air Intake Grille. Place travel lock in maintenance position (para 2-8.19.3). Traverse cab 90° (para 2-8.21). Unscrew two T-handles (1). Open engine air intake grille (2) and secure in the open position by removing quick-release pin (3) from bracket (4) and installing in support (5). To close, remove quick-release pin (3) from support (5) and install in bracket (4). Lower air intake grille (2) to closed position and secure with two T-handles (1). Stow gun tube in travel position (para 2-8.20).



2-8.15 Operating Engine Air Cleaner System.

- a. Winter position (Below 25°F). Raise locking handles (1) and fasten on hooks (3).
- b. Summer position (Over 40°F). Leave locking handles (1) in holders (2).
- c. Intermediate temperatures (25°F to 40°F). Start engine with locking handles (1) in winter position. When engine reaches operating temperature, place handles (1) in summer position.
- d. Air cleaner restriction indicator (4). An air cleaner indicator gage is located alongside the left air cleaner housing. It reads green when air cleaner is operating properly. When air flow is restricted, a red sleeve covers the green indicator indicating that the air cleaner element should be serviced (para 3-7.13). A reset button on the air cleaner restriction indicator will retract the red sleeve and the green signal will show again. If the restriction has not been removed, the red signal will return when the engine is operated.



2-8 OPERATING PROCEDURES - CONTINUED

2-8.16 Operating COS Seat and Footrest.

WARNING

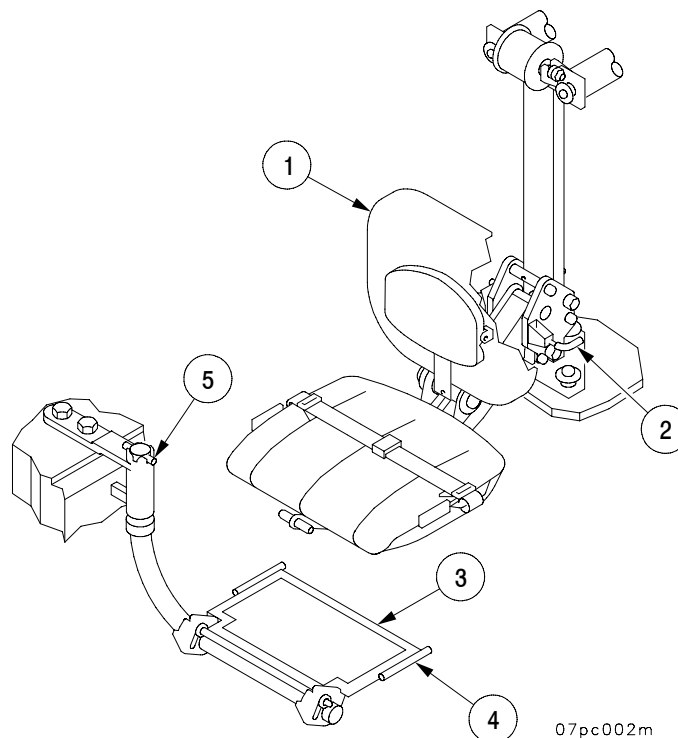
Seat is heavy and under spring tension. Support seat when changing position to prevent seat from springing upward or downward to avoid injury.

2-8.16.1 Stowing COS Seat and Footrest.

CAUTION

Make sure that COS seat is locked in forward position before stowing seat.

- a. Fold backrest (1) down.
- b. Push down and support seat. Pull pin (2) and raise seat.
- c. Pull footrest (3) up and adjust to vertical position.
- d. Lift up on footrest brace (4) to release swivel detent (5), swing footrest forward, and engage swivel detent (5).



07pc002m

2-8 OPERATING PROCEDURES - CONTINUED

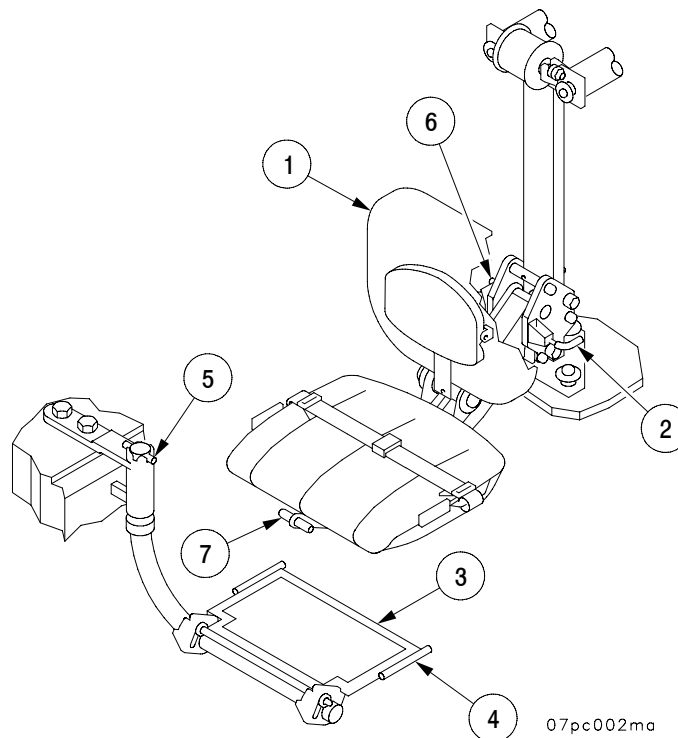
2-8.16 Operating COS Seat and Footrest - Continued

2-8.16.2 Unstowing COS Seat and Footrest.

- a. Push up and support seat. Pull pin (2) out and lower seat.
- b. Unfold backrest (1).
- c. Lift up on footrest brace (4) to release swivel detent (5). Swing footrest back, and engage swivel detent (5).
- d. Pull footrest (3) up and adjust to horizontal position.
- e. Pull seat operating lever (6) toward seat to adjust seat height.

2-8.16.3 Rotating COS Seat.

- a. Pull up on handle (7) to release seat.
- b. Rotate seat to forward position until release latch locks.



2-8 OPERATING PROCEDURES - CONTINUED

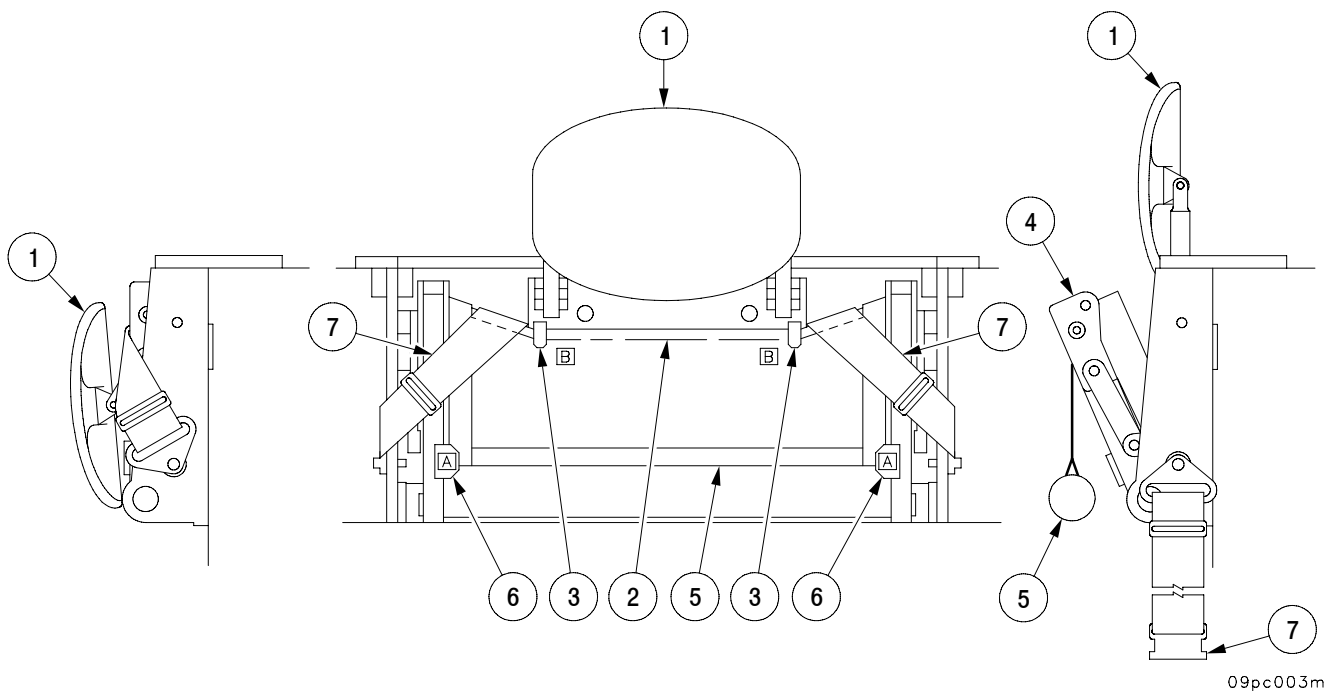
2-8.17 Operating Crew Seats.

2-8.17.1 Lowering Crew Seats.

- a. Pivot backrest (1) up.
- b. Remove bungee cord (2) from tabs (3) marked "B".
- c. Pivot folded seat bottom (4) down.
- d. Unfold seat bottom (4).
- e. Pull footrest (5) out from retainer (6) marked "A".
- f. Unbuckle seatbelt (7).

2-8.17.2 Stowing Crew Seats.

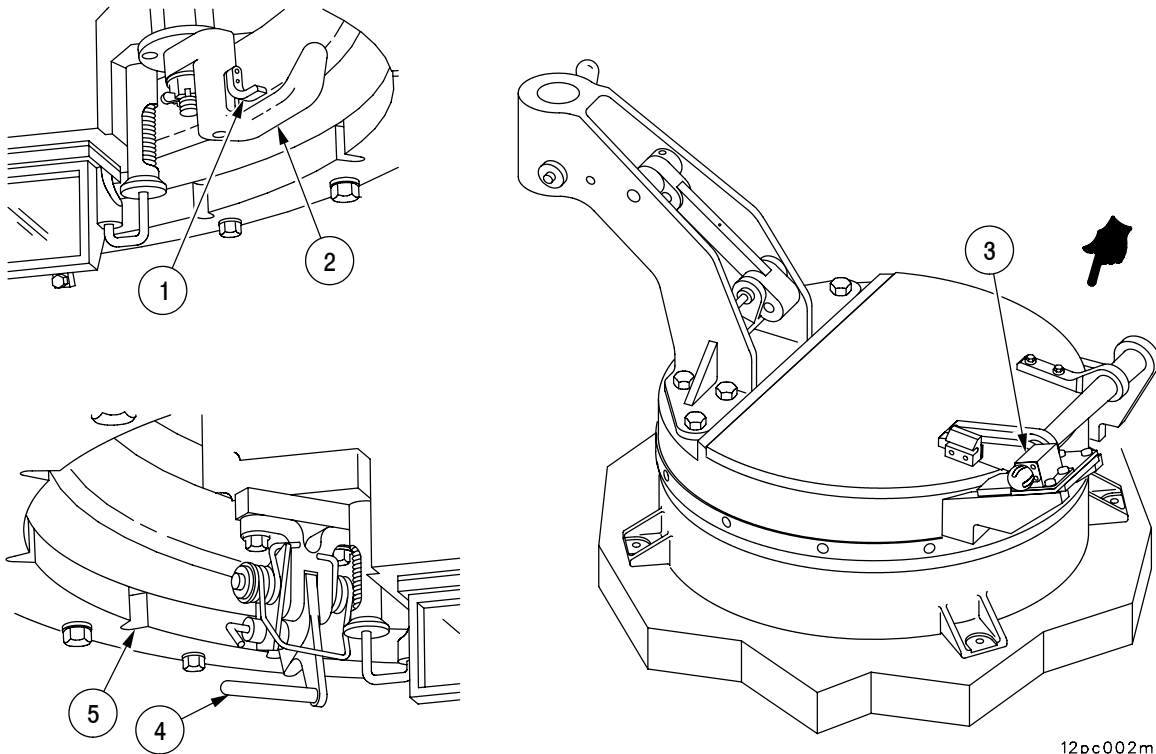
- a. Fold seat bottom (4) in half (front half on top of rear half).
- b. Push folded seat bottom (4) up to vertical position.
- c. Place footrest (5) behind retainers (6) marked "A".
- d. Buckle seatbelt (7).
- e. Drape seatbelt (7) over bungee cord (2).
- f. Engage bungee cord (2) behind tabs (3) marked "B".
- g. Lift and rotate backrest (1) down.



2-8 OPERATING PROCEDURES - CONTINUED

2-8.18 Operating Commander's Cupola.

- a. To open cupola, pull down on latch (1) and turn handle (2) to left. Swing cover open and secure with hold-down latch (3). Reverse procedure to close.
- b. To rotate cupola, pull out latch (4). Rotate cupola and secure by releasing latch (4) into one of the notches (5).



12pc002m

2-8 OPERATING PROCEDURES - CONTINUED

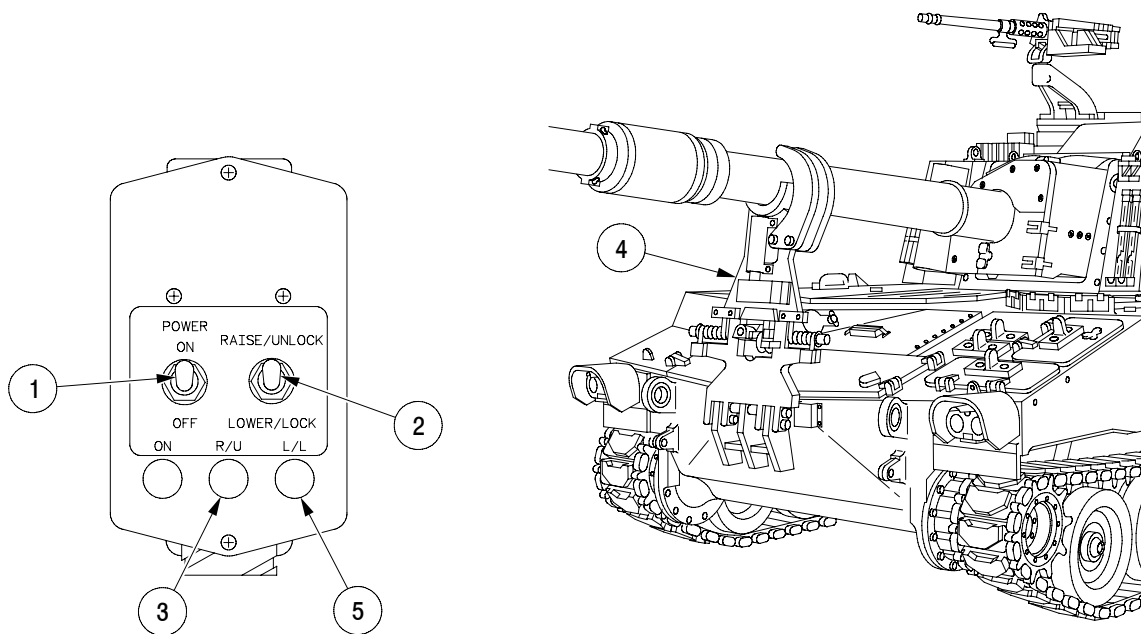
2-8.19 Releasing Gun Tube.

2-8.19.1 Releasing Gun Tube.

CAUTION

During icing conditions, ensure that travel lock is not frozen in position before attempting to move it.

- Turn vehicle MASTER switch to ON.
- Turn POWER switch (1) on travel lock control box to ON.
- Set and hold travel lock control switch (2) to RAISE/UNLOCK position until R/U light (3) illuminates.
- Elevate gun tube to clear travel lock (4) (para 2-8.21.4).
- Set and hold travel lock control switch (2) to LOWER/LOCK position until L/L light (5) illuminates.
- Turn POWER switch (1) to OFF.



18ph035m

2-8 OPERATING PROCEDURES - CONTINUED

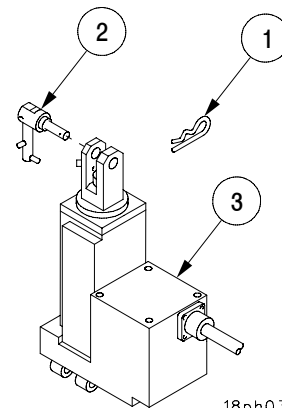
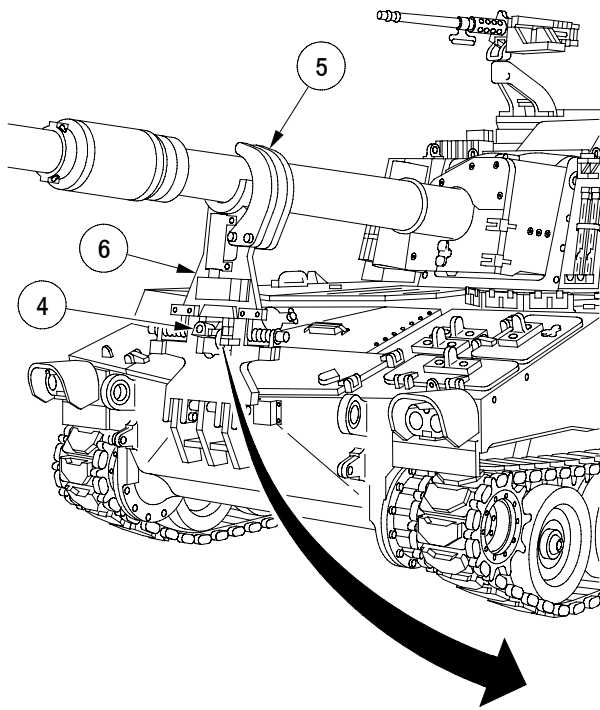
2-8.19 Releasing Gun Tube - Continued

2-8.19.2 Releasing Gun Tube (Manual).

WARNING

Do not let go of crowbar until travel lock is on deck.

- a. Remove retaining clip (1) from actuator release pin (2).
- b. Remove upper actuator release pin (2) to disengage actuator (3).
- c. Insert crowbar into lever (4).
- d. Pull down on crowbar until jaw (5) is unlocked and fully retracted.
- e. Elevate gun tube to clear travel lock (6) (para 2-8.21.4).



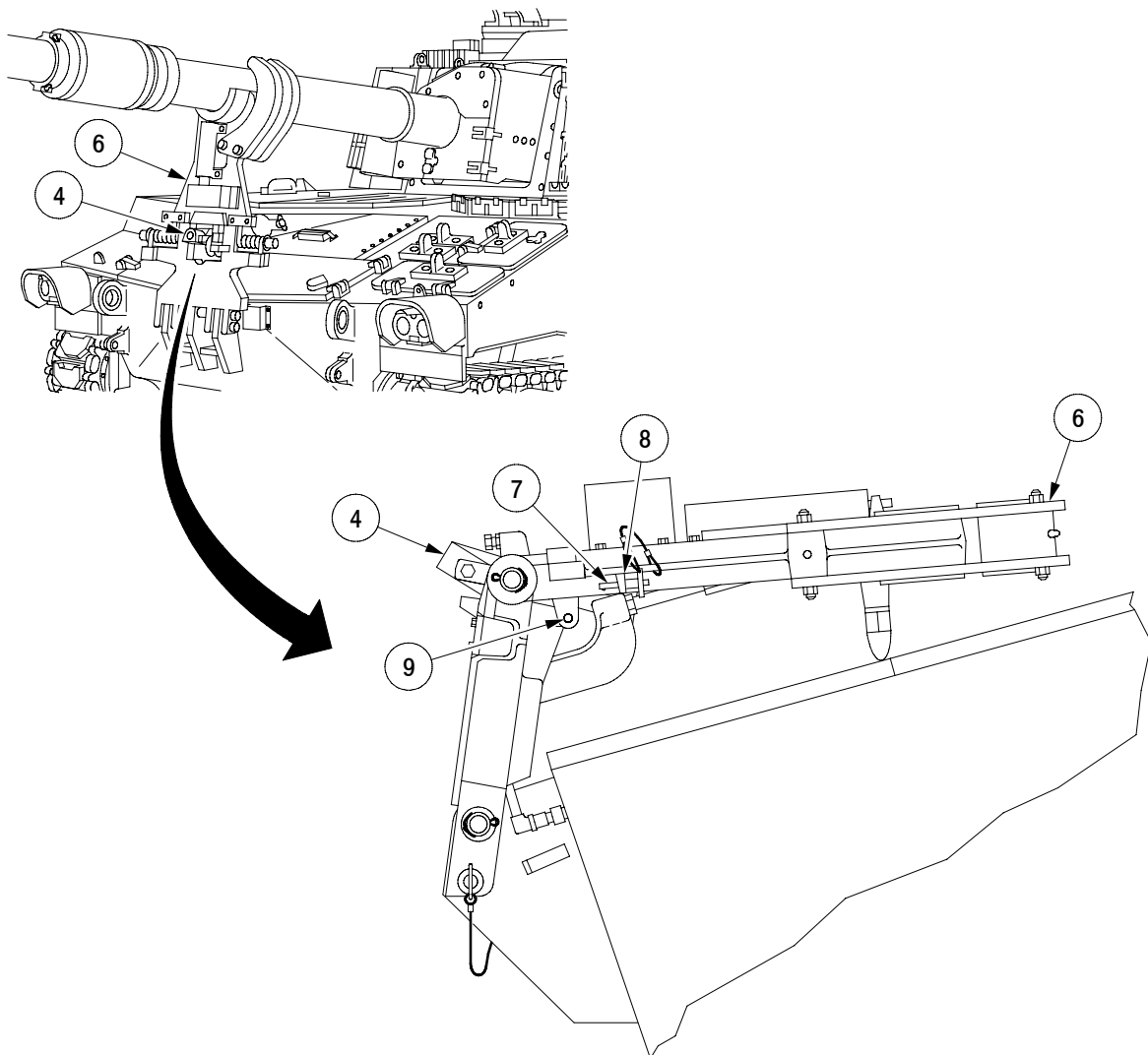
18ph036m

2-8 OPERATING PROCEDURES - CONTINUED

2-8.19 Releasing Gun Tube - Continued

2-8.19.2 Releasing Gun Tube (Manual) - Continued

- f. Slowly lower travel lock (6) to engine deck using crowbar.
- g. Remove quick-release pin (7) from stowed bracket (8) and install in bracket (9) to secure travel lock to deck.
- h. Remove crowbar from lever (4).



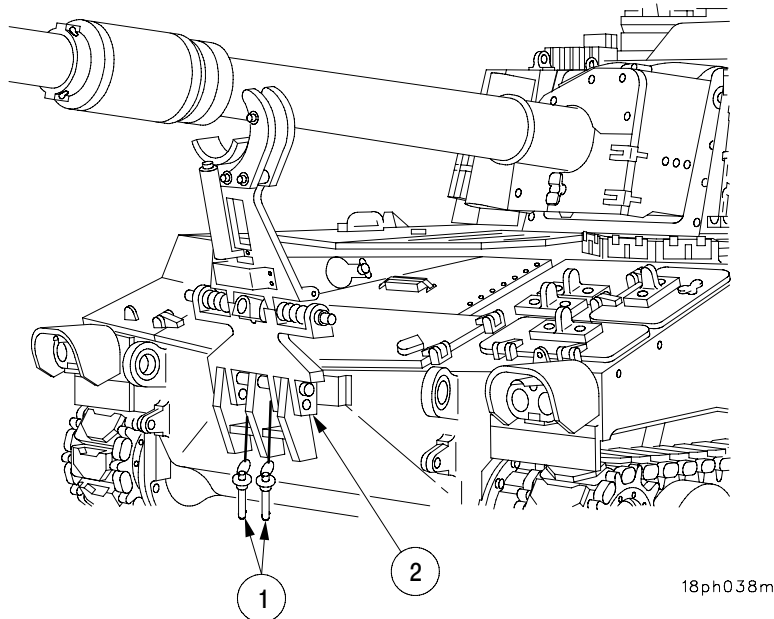
18ph037m

2-8 OPERATING PROCEDURES - CONTINUED

2-8.19 Releasing Gun Tube - Continued

2-8.19.3 Gun Tube Travel Lock Maintenance Position.

- a. Release gun tube (para 2-8.19.1).



CAUTION

To prevent damage to hull, do not allow travel lock to slam against hull after quick-release pins are removed.

- b. Remove two quick-release pins (1) from hull mounting bracket (2).
- c. Move travel lock forward to rest against hull to achieve maintenance position.
- d. After maintenance is completed, move travel lock inward to align mounting holes and install two quick-release pins (1) in hull mounting bracket (2).
- e. Stow gun tube in travel position (para 2-8.20).

2-8 OPERATING PROCEDURES - CONTINUED

2-8.20 Stowing Gun Tube.

2-8.20.1 Stowing Gun Tube (AFCS/PDFCS).

WARNING

All personnel located outside the vehicle must be clear of hull and driver's hatch must be closed while cab is being traversed.

CAUTION

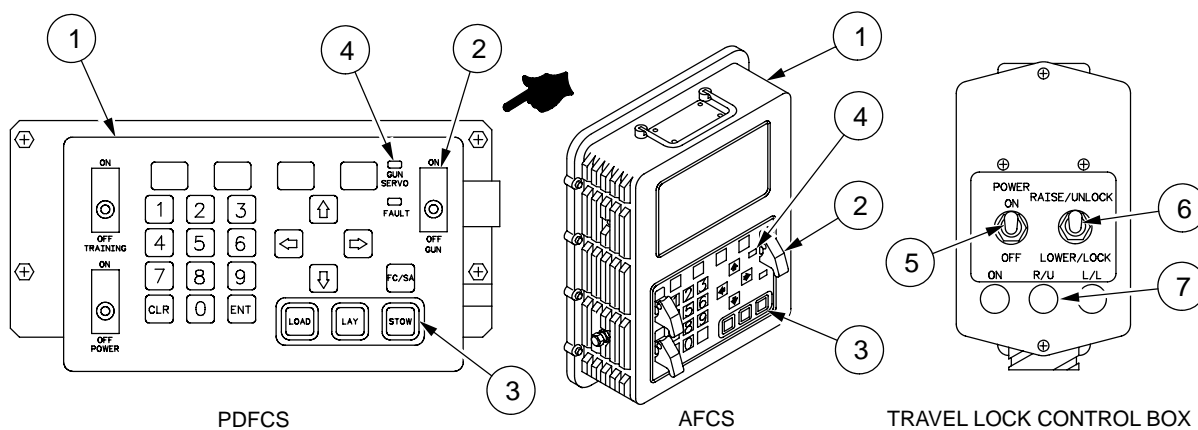
During icing conditions, ensure that travel lock is not frozen in position before attempting to move it.

- Turn vehicle MASTER switch to ON.
- Start engine, set hand throttle at 1000 - 1200 rpm.
- Turn HYDRAULIC POWER switch to ON and TRAVERSE MODE switch to POWER position.

NOTE

AFCS/PDFCS must be initialized and NAV system aligned while gun tube is in travel lock.

- Ensure that AFCS/PDFCS is ON, initialized, and in NORMAL operation mode (para 2-12.1 if AFCS is installed or para 2-15B.1 if PDFCS is installed).
- Rotate traverse lock to UNLOCKED position (para 2-8.21.1).
- On AFCS DU/PDFCS keypad (1), set GUN switch (2) to ON.
- Ensure gun tube is raised to clear travel lock.
- Press and hold STOW key (3), GUN SERVO indicator (4) will light and gun tube will automatically move to the stow position above the travel lock. When this position has been reached, the display will highlight the STOW segment.
- Turn POWER switch (5) on travel lock control box to ON.
- Set and hold travel lock control switch (6) to RAISE/UNLOCK position until R/U light (7) illuminates.



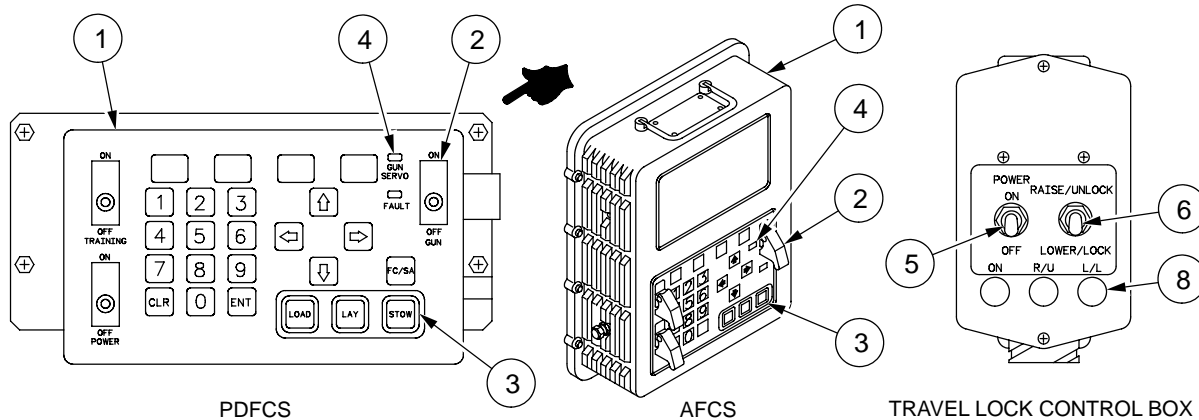
06pc622m

2-8 OPERATING PROCEDURES - CONTINUED

2-8.20 Stowing Gun Tube - Continued

2-8.20.1 Stowing Gun Tube (AFCS/PDFCS) - Continued

- k. On AFCS DU/PDFCS keypad (1), set GUN switch (2) to OFF.
- l. Lower gun tube into the travel lock.
- m. Lock cab traverse lock.
- n. Move travel lock control switch (6) to the LOWER/LOCK position. L/L indicator (8) will illuminate when travel lock is locked.
- o. Turn POWER switch (5) on travel lock control box to OFF.
- p. Turn hydraulic control box POWER switch to OFF.



06pc622ma

2-8.20.2 Stowing Gun Tube (Power).

WARNING

All personnel located outside the vehicle must be clear of hull and driver's hatch must be closed while cab is being traversed.

CAUTION

During icing conditions, ensure that travel lock is not frozen in position before attempting to move it.

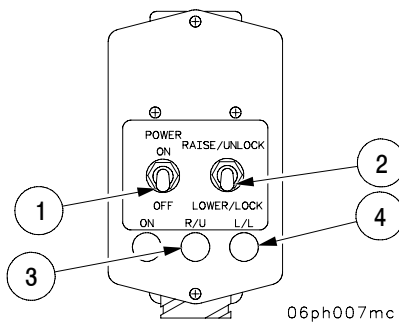
- a. Elevate gun tube to ensure clearance for raised travel lock (para 2-8.21.4).
- b. Traverse cab until cab is in stow position (para 2-8.21.2).
- c. Turn POWER switch (1) on travel lock control box to ON.

2-8 OPERATING PROCEDURES - CONTINUED

2-8.20 Stowing Gun Tube - Continued

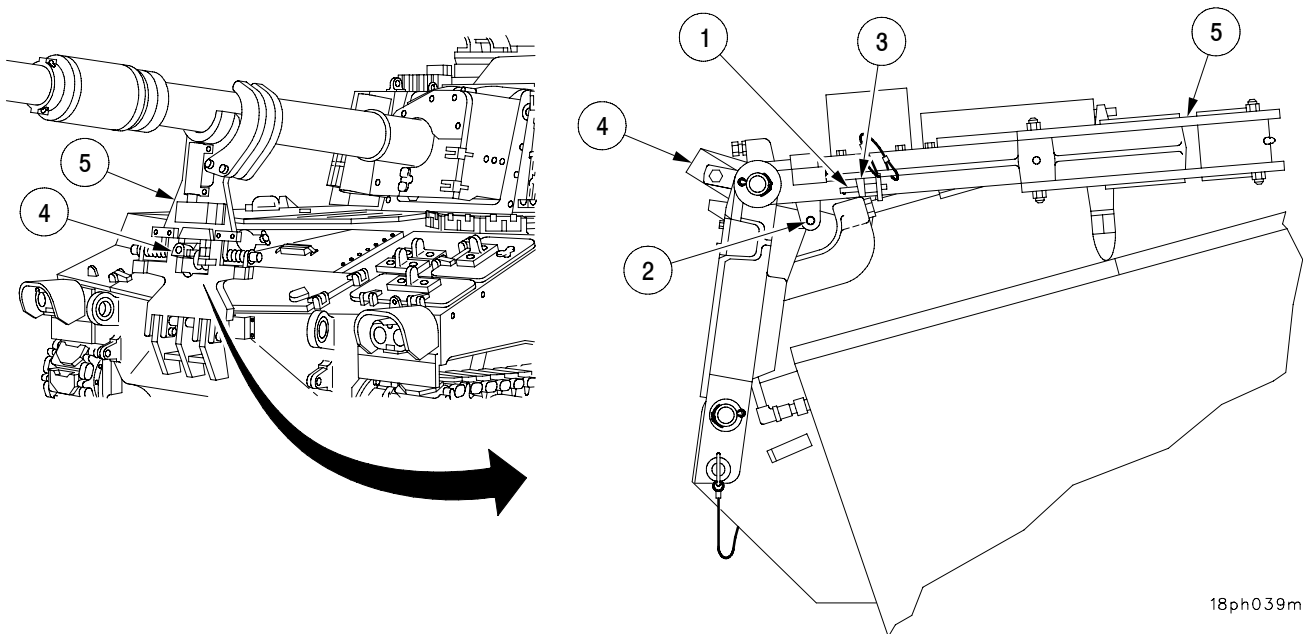
2-8.20.2 Stowing Gun Tube (Power) - Continued

- d. Set and hold travel lock control switch (2) to RAISE/UNLOCK position until R/U light (3) illuminates.
- e. Lower tube into travel lock.
- f. Lock cab traverse lock.
- g. Set and hold travel lock control switch (2) to LOWER/LOCK position until L/L light (4) illuminates.
- h. Turn POWER switch (1) on travel lock control to OFF.



2-8.20.3 Stowing Gun Tube (Manual).

- a. Elevate gun tube to ensure clearance for raised travel lock (para 2-8.21.4).
- b. Traverse cab in position for stowing tube (para 2-8.21.2).
- c. Remove quick-release pin (1) from bracket (2) and install in stowage bracket (3). Using crowbar in lever (4), raise travel lock (5) to fully extended position.



18ph039m

2-8 OPERATING PROCEDURES - CONTINUED

2-8.20 Stowing Gun Tube - Continued

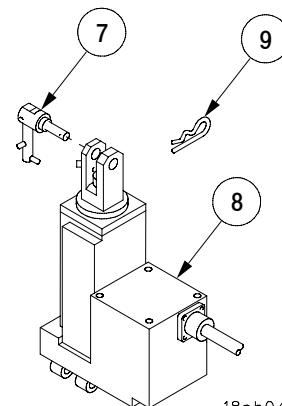
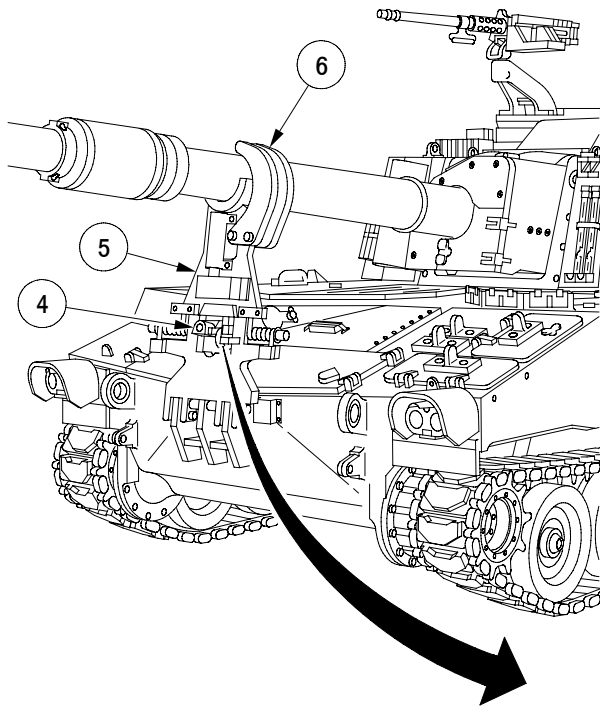
2-8.20.3 Stowing Gun Tube (Manual) - Continued

- d. Lower gun tube and lock cab traverse lock.

WARNING

Do not let go of crowbar until lever is up and jaw is locked around gun tube. Lever can throw crowbar if not fully rotated.

- e. Using crowbar, carefully rotate lever (4) up until jaw (6) locks around gun tube.
- f. Install actuator release pin (7) into actuator (8).
- g. Remove crowbar from lever (4).
- h. Install retaining clip (9) in actuator release pin (7).



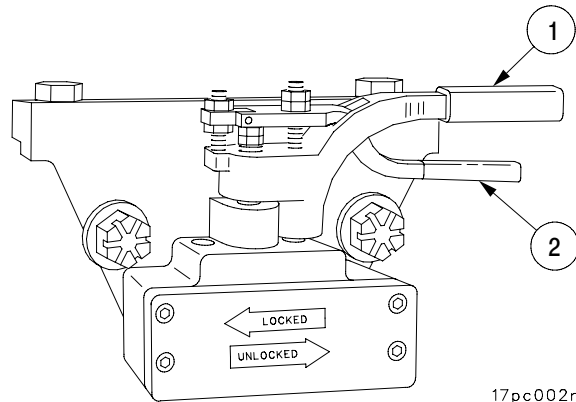
18ph046m

2-8 OPERATING PROCEDURES - CONTINUED

2-8.21 Traversing and Elevating.

2-8.21.1 Releasing Cab Traverse Lock.

- a. Squeeze handle (1) and lever (2) together.
- b. Rotate cab traverse lock to position UNLOCKED.



2-8.21.2 Power Traversing.

WARNING

All personnel located outside the vehicle must be clear of hull and driver's hatch must be closed while cab is being traversed.

CAUTION

- Don't use power traverse if your vehicle is positioned with more than 10 degrees or 178 mils cant to prevent damage to equipment.
 - Do NOT traverse more than 800 mils from the stow (travel lock) position until step i is performed to prevent damage to equipment.
 - Use caution when traversing above 1100 mils. The projectile rammer may interfere with projectiles and projectile stowage racks located along the sponsons, causing damage to equipment.
- a. Turn vehicle MASTER switch to ON.
 - b. Start engine, set hand throttle at 1000 - 1200 rpm.

2-8 OPERATING PROCEDURES - CONTINUED

2-8.21 Traversing and Elevating - Continued

2-8.21.2 Power Traversing - Continued

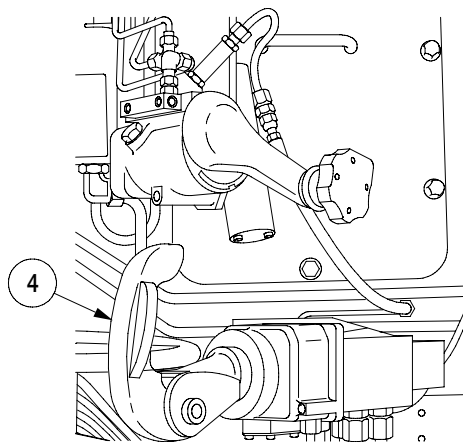
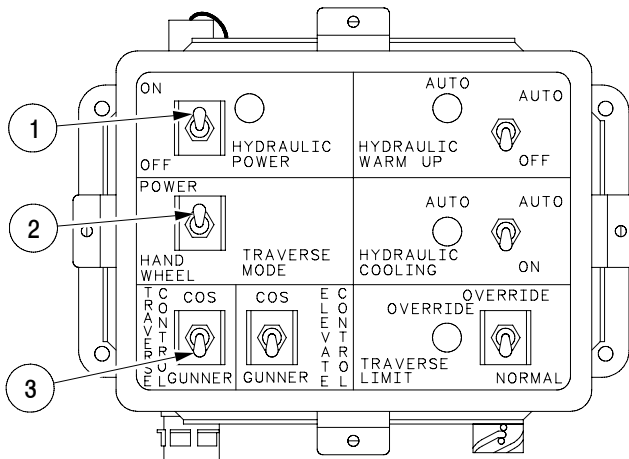


If hydraulic pressure exceeds 2000 psi, turn hydraulic control box POWER switch to OFF position to prevent internal damage to hydraulic system components.

- c. Turn HYDRAULIC POWER switch (1) to ON.
- d. Turn TRAVERSE MODE switch (2) to POWER position.

NOTE

- If power for hydraulic clutch valve fails, loss of pressure occurs and cab cannot be power traversed normally. Perform step (e) and notify unit maintenance.
 - The cab may be traversed at gunner or COS station by placing TRAVERSE CONTROL switch in desired position.
- e. To overcome hydraulic clutch valve failure, use manual traversing (para 2-8.21.3).
 - f. Place TRAVERSE CONTROL switch (3) in desired position.
 - g. Turn control handle (4) right (to TRAVERSE RIGHT) or left (to TRAVERSE LEFT).
 - h. To stop rotation, return control handle (4) slowly to center position. Wait until cab stops.



03pc002m

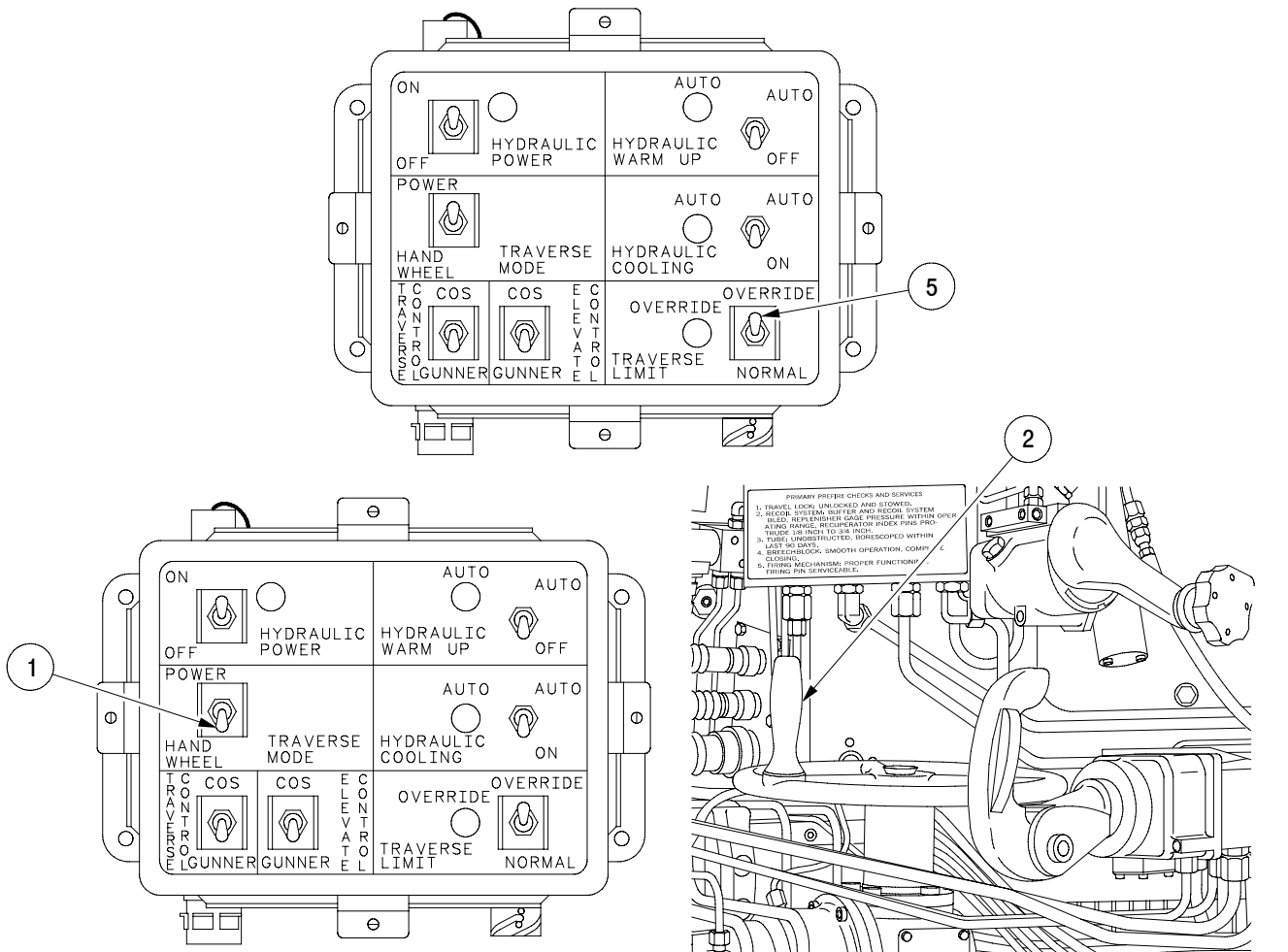
2-8 OPERATING PROCEDURES - CONTINUED

2-8.21 Traversing and Elevating - Continued

2-8.21.2 Power Traversing - Continued

- i. Before overriding 800 mils traverse limit, disconnect driver's MCS hose, install cap on quick-disconnect coupling, and secure hose in hook and loop fastener provided in hull.
- j. To override 800 mils traverse limit:
 - (1) Hold TRAVERSE LIMIT OVERRIDE switch (5) in OVERRIDE position.
 - (2) If in AFCS/PDFCS mode, "OVERRIDE AZ LIMITS YES NO" message on display will appear. Press "YES" key to override.

2-8.21.3 Manual Traversing. Set TRAVERSE MODE switch (1) to HAND WHEEL position. Turn hand wheel (2). Cab rotates in same direction as hand wheel rotation.



03pc003m

2-8 OPERATING PROCEDURES - CONTINUED

2-8.21 Traversing and Elevating - Continued

2-8.21.4 Power Elevating.

WARNING

All personnel must be clear of the breech area when elevating and depressing gun tube.

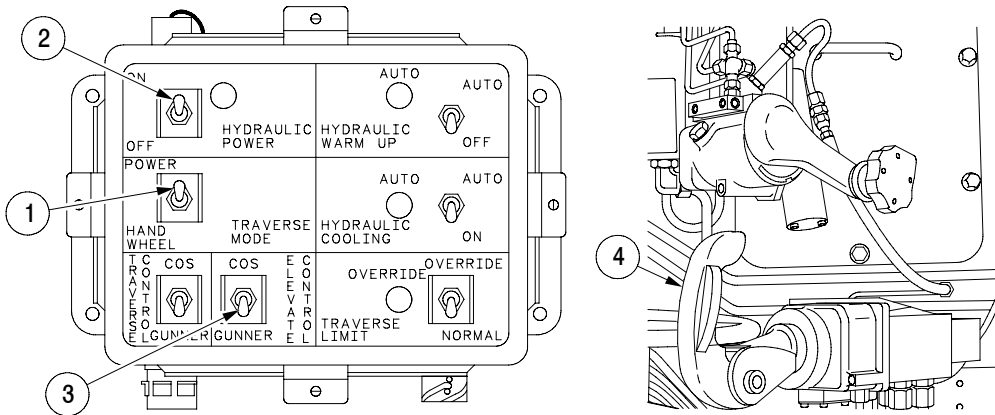
CAUTION

Ensure MCS doors are closed before elevating. Failure to comply may cause damage to equipment.

NOTE

The gun tube may be elevated or depressed at either gunner or COS station by placing the ELEVATE CONTROL switch in the desired position.

- a. Turn vehicle MASTER switch to ON.
- b. Start engine and idle at 1000 to 1200 rpm.
- c. Release gun tube (para 2-8.19.1).
- d. Turn TRAVERSE MODE switch (1) to POWER.
- e. Turn HYDRAULIC POWER switch (2) to ON.
- f. Place ELEVATE CONTROL switch (3) in desired position.
- g. Pull handle (4) to elevate gun. Push handle (4) to depress.

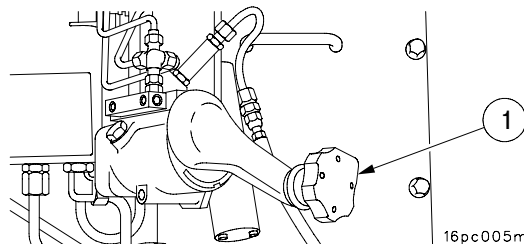


03pc002ma

WARNING

All personnel must be clear of the breech area when elevating and depressing gun tube.

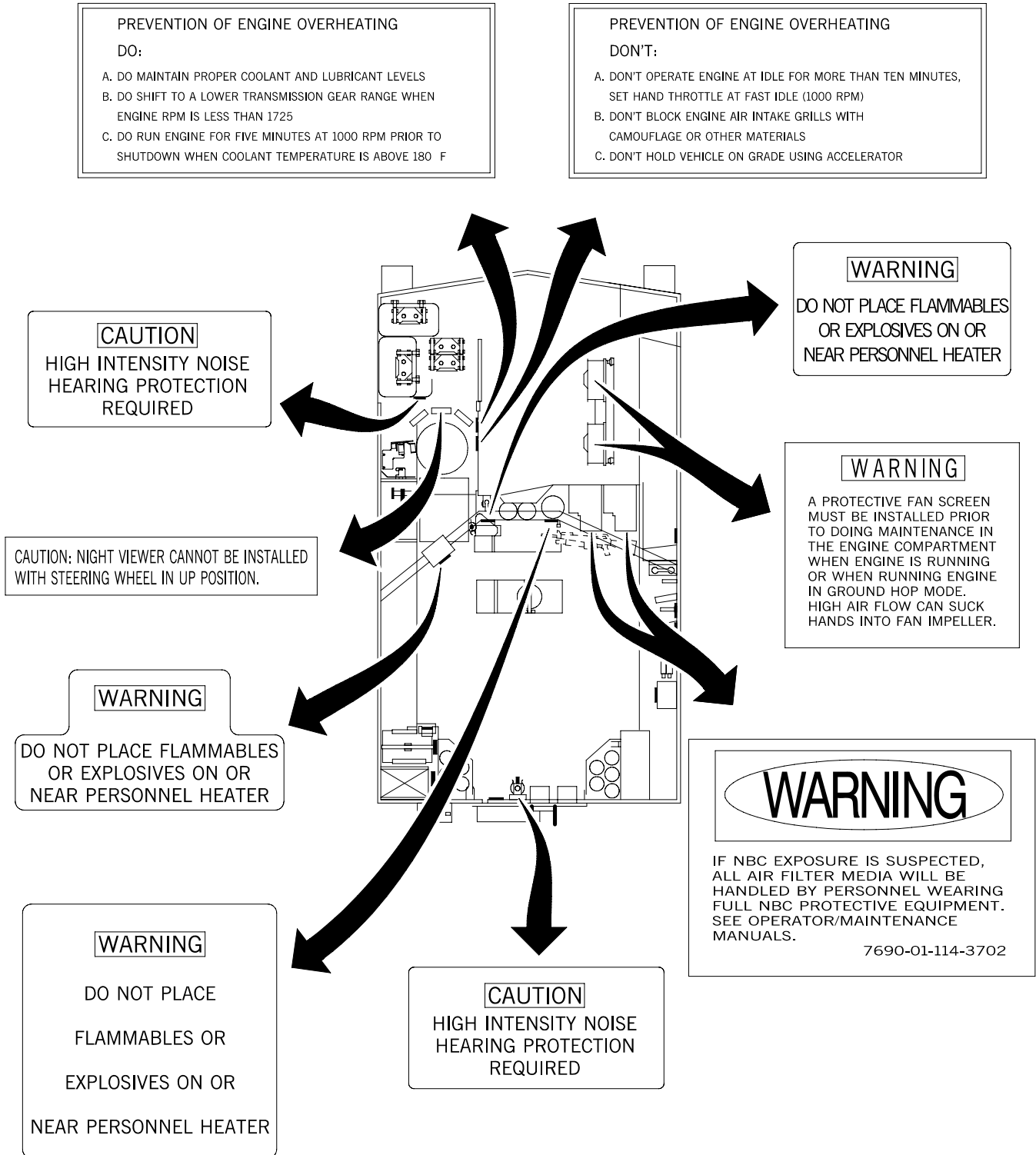
2-8.21.5 Manual Elevating. Manual elevating is done by operating elevating hand pump (1).



16pc005mb

2-9 DECALS AND INSTRUCTION PLATES.

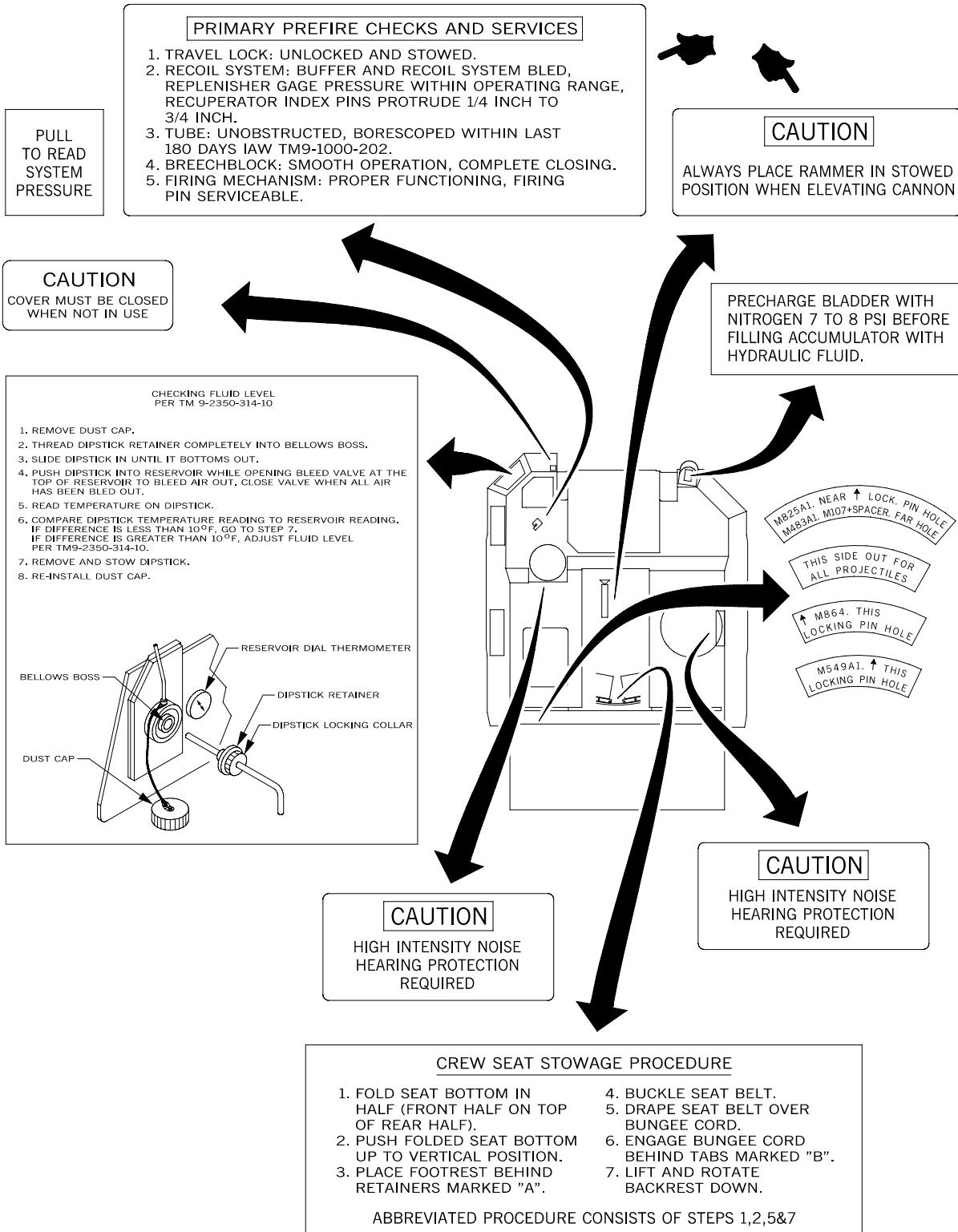
2-9.1 Hull Decals and Instruction Plates.



22ph002m

2-9 DECALS AND INSTRUCTION PLATES - CONTINUED

2-9.2 Cab Decals and Instruction Plates.



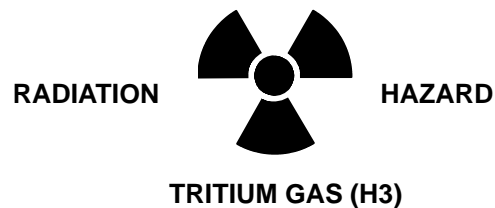
22pc001m

2-10 OPERATION OF OPTICAL FIRE CONTROL INSTRUMENTS.

AFCS/PDFCS eliminates use of optical fire control equipment in laying vehicle for deflection and elevation during indirect fire missions. However, all optical fire control equipment must be emplaced, aligned, and ready for use, as time permits, in the event the AFCS/PDFCS should fail. Fire control equipment is still the only means used to track a target during direct fire missions.

2-10.1 M140/M140A1 Alignment Device.

WARNING



The M140 alignment device is radioactively illuminated. Check for presence of illumination in a low light environment. If illumination is not present, notify local radiation safety officer. Do not attempt to repair.

NOTE

To assure the M140/M140A1 alignment device is in collimation and can be used for quick alignment procedure, the fire control instruments must first be boresighted using either distant aiming point or test target method. See para 2-16.7 for checking the alignment device while boresighting on the test target.

- a. M140/M140A1 alignment device is used to check alignment of the M117A2 panoramic telescope with the gun tube.

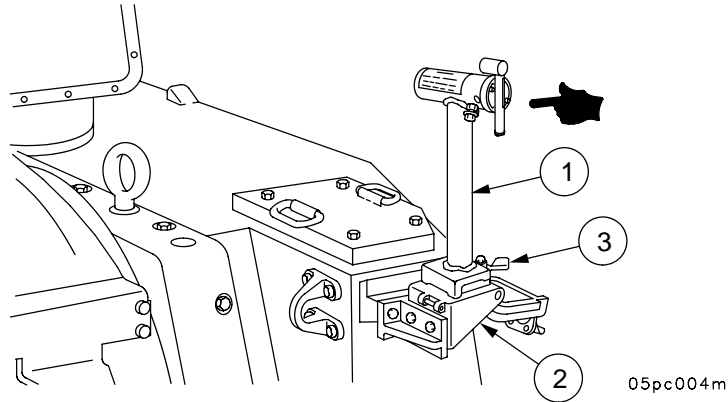
NOTE

Ensure mounting surfaces are clean and free of burrs. If dovetail has burrs, notify unit maintenance.

2-10 OPERATION OF OPTICAL FIRE CONTROL INSTRUMENTS - CONTINUED

2-10.1 M140/M140A1 Alignment Device - Continued

- b. Place M140/M140A1 alignment device (1) onto mount (2). Secure in position, by turning lever (3). Make sure it is secure.

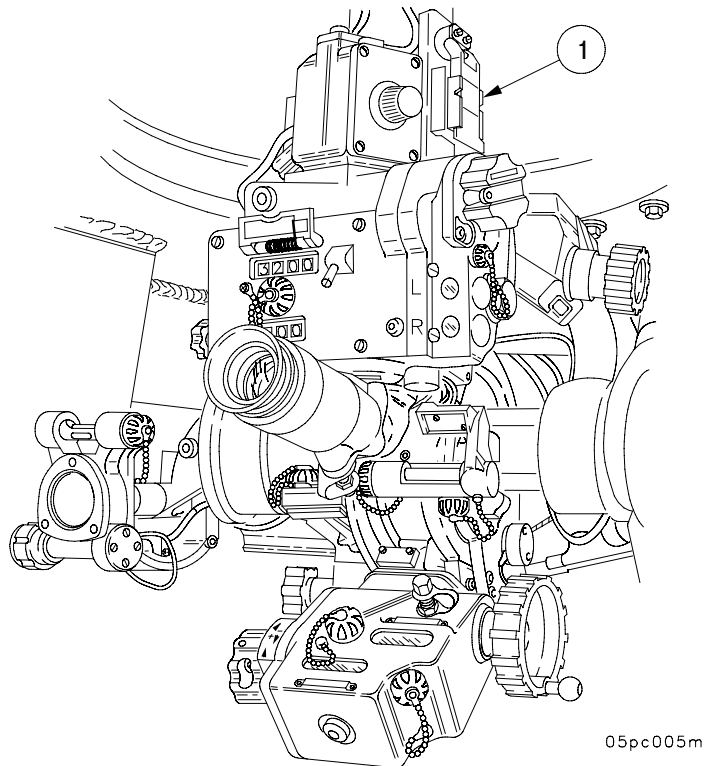


2-10.2 Installing Telescope M117A2.

CAUTION

Ensure that M145A1 sight mount switch is OFF.

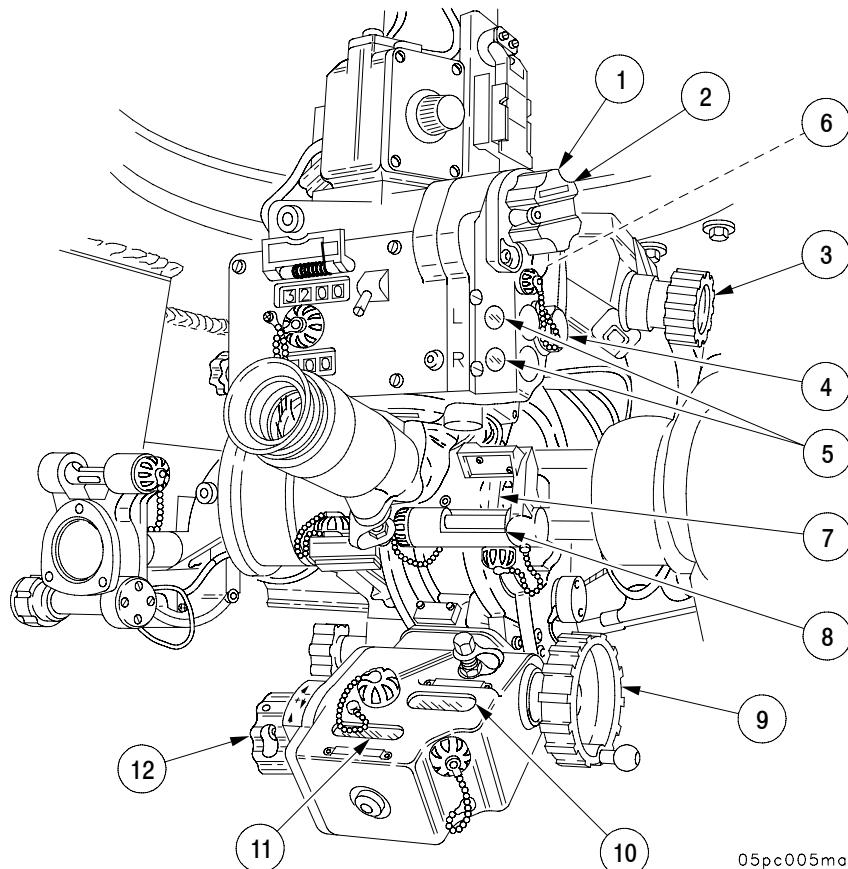
Install M117A2 telescope and secure with two latches (1).



2-10 OPERATION OF OPTICAL FIRE CONTROL INSTRUMENTS - CONTINUED

2-10.3 Operating Telescope M117A2 and Mount M145A1.

- a. Direct/indirect fire bar knob (1). Change deflection in 5 mil increments for direct fire.
- b. Azimuth deflection knob (2). Turn to set azimuth reset counter and rotate telescope head; also sets azimuth counter.
- c. Cross-level knob (3). Turn to center cross level vial (8).
- d. Gunner's aid knob (4). Turn to set gunner's aid counters (5).
- e. Gunner's aid counters (5). Visual correction factor for individual weapon.
- f. Boresight detent shaft (6). Changes mil reading of azimuth counter during boresighting.
- g. Pitch-level vial (7).
- h. Cross-level vial (8).
- i. Elevation handwheel (9). Turn to set elevation counter (10).
- j. Elevation counter (10). Shows quadrant elevation.
- k. Correction counter (11). Registers correction value for individual weapon in mils.
- l. Elevation correction knob (12). Turn to set correction counter (11).

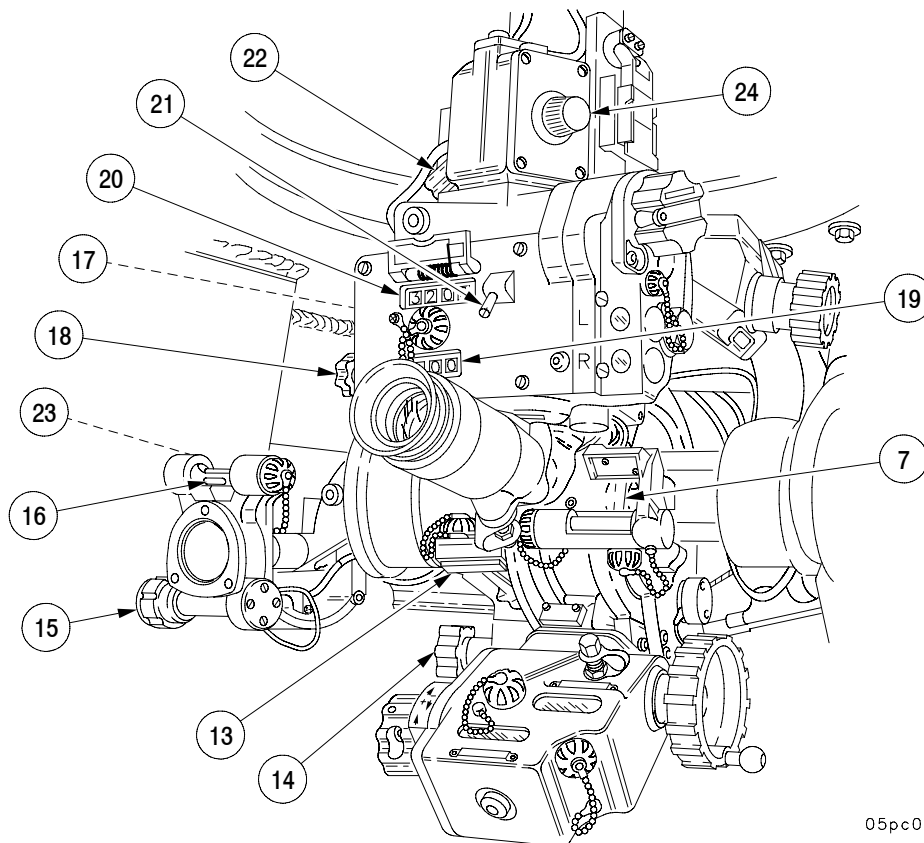


05pc005ma

2-10 OPERATION OF OPTICAL FIRE CONTROL INSTRUMENTS - CONTINUED

2-10.3 Operating Telescope M117A2 and Mount M145A1 - Continued

- m. Elevation level vial (13).
- n. Pitch knob (14). Turn to center pitch level vial (7).
- o. Quadrant level knob (15). Turn to center quadrant cross level vial (16).
- p. Quadrant cross level vial (16).
- q. Toggle switch (17). Push up to turn on lamps.
- r. Reset knob (18). Push in and turn to reset the azimuth reset counter (19).
- s. Reset counter (3200 mil) (19). Registers azimuth travel in mils.
- t. Azimuth counter (3200 mil) (20). Registers azimuth travel in mils.
- u. Door release (21). Move to right to open azimuth counter door.
- v. Elevation knob (22). Turn to adjust reticle up or down 300 mils.
- w. Quadrant seat (23). Set gunner's quadrant M1A1 here for fine elevation adjustment.
- x. Rheostat knob (24). Turn to vary intensity of light for reticle pattern.



05pc005mb

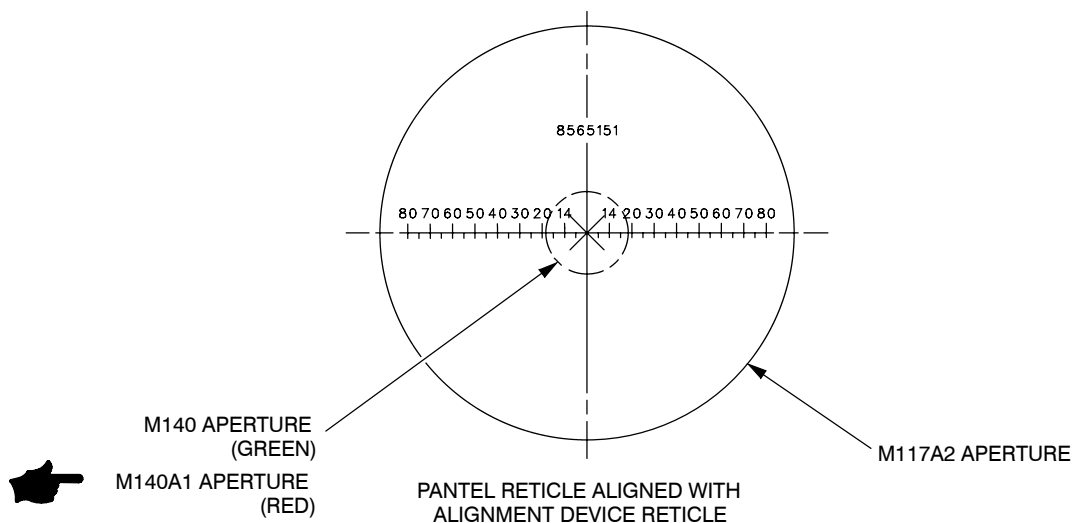
2-10 OPERATION OF OPTICAL FIRE CONTROL INSTRUMENTS - CONTINUED

2-10.4 Alignment of Telescope M117A2.

NOTE

Parallax occurs when ballistic cover is not perpendicular to line of sight of PANTEL. To eliminate this refraction problem, keep ballistic cover perpendicular to line of sight of M140/M140A1 alignment device and PANTEL while checking boresighting. Tolerance is ± 0.5 mils.

Sighting through PANTEL eyepiece at M140/M140A1 alignment device, line up apertures as shown. At this setting, PANTEL is in close alignment with gun tube.

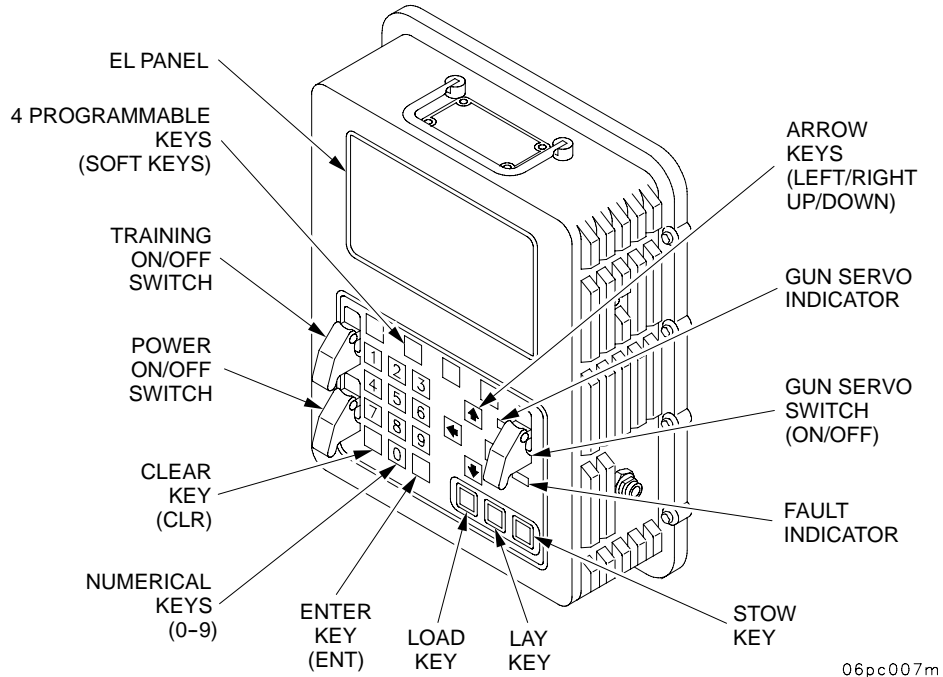


05pc006m

2-11 OPERATION OF AUTOMATIC FIRE CONTROL SYSTEM (AFCS).

2-11.1 AFCS Operating Modes.

The AFCS functions are performed during three operating modes. These modes are Training, Normal Operations, and Maintenance.



2-11.1.1 Training Mode. The AFCS has a Built-In Training Device (Embedded Trainer). This can be used as a tutorial device to train, maintain, improve, and evaluate crew efficiency/performance. This function allows for simulating Move and Fire Missions under a variety of battlefield scenarios. These include: Shoot Heavy, Move Heavy, Modified Balanced, as well as Degraded conditions (for AFCS), all without need for radio communications (AFCS simulates all radio communications so training can be accomplished without POC assets). In addition, the Embedded Trainer can be run from a Beginner's Tutorial option through a full scale scenario.

2-11.1.2 Normal Operation Mode. During the normal operation mode, there are submodes which make up initializing the system navigation, emplacement, and firing the howitzer. These submodes are initialization, travel, and fire mission.

2-11.1.3 Maintenance Mode. This mode is designed to be used by the crew to do initial troubleshooting of a failure in the AFCS, isolate to an LRU and expedite repair, and view detailed software configuration information for each LRU/CPCI.

2-11.2 AFCS Operating Controls and Indicators.

- GUN SERVO Indicator Lamp.** This amber indicator lamp will come on only during AFCS movement of the weapon. Additionally, the lamp stays on when the servos position the weapon on command LAY.
- GUN SERVO ON/OFF Switch.** This toggle switch enables gun servo units. Lifting guard and placing switch in ON position allows AFCS to control gun servo valves. (This is required for Gun Laying by AFCS, also needed for STOW and LOAD commands by AFCS.) Closing switch guard will automatically place switch in OFF position.
- Arrow Keys (up/right/down and left).** Pressing proper key will move highlighted area of display on EL Panel.

2-11 OPERATION OF AUTOMATIC FIRE CONTROL SYSTEM (AFCS) - CONTINUED

2-11.2 AFCS Operating Controls and Indicators - Continued

- d. FAULT Indicator Lamp. This indicator lamp will come on when a failure has been detected by internal BIT of AFCS.
- e. STOW Key. With GUN switch ON, pressing STOW key will automatically return gun to a position above the travel lock. (Final tube positioning to secure gun in travel lock must be done with gunner's/COS control handles.)
- f. LAY Key. With GUN switch ON, pressing LAY key will automatically drive gun to Commanded (CMD) position by AFCS (in proper azimuth and elevation).
- g. LOAD Key. With GUN switch ON, pressing LOAD key during high firing angles will automatically return gun to a preselected low elevation angle. This allows easier loading of gun.
 - (1) During Fire Mission. Pressing LOAD key during a Fire Mission will return gun to preselected load elevation and traverse gun to LAY position.
 - (2) Prior to Fire Mission. Pressing LOAD key prior to a Fire Mission (Section in Order) will return gun to preselected load elevation and traverse to Final Protective Fire (FPF) azimuth.

NOTE

If there is no FPF, the gun will traverse to the assigned center sector of fire.

- h. KEYPAD (Numerals 0 through 9, CLR--clear, and ENT--enter keys). These keys are used for entering data. The CLR key is used to delete a numeric entry within the cursor field on EL Panel. The ENT key is used to insert a numeric entry into highlighted field on EL Panel.

NOTE

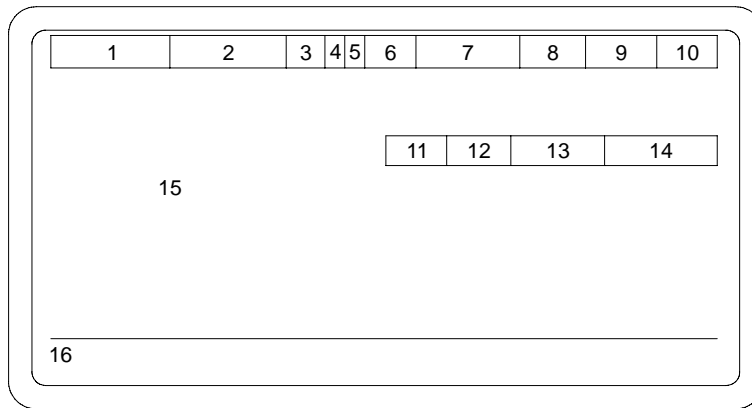
If DU POWER is switched to OFF, alignment data will have to be reentered at next power up. Navigation Restart is a 15-minute procedure. Closing switch guard will not place this switch in OFF position. Switch must be manually put in OFF position.

- i. POWER ON/OFF Switch. Lifting the guard and placing switch in ON position powers up AFCS. System will then automatically perform self-test (BIT). After BIT, AFCS will control gun hydraulics when GUN ON/OFF switch is ON. At this time, some gun movement may occur. Do not power down DU (AFCS) when entering/exiting different modes. After AFCS has been powered down, the AFCS will power up and be operational in approximately 3-4 minutes.
- j. TRAINING ON/OFF Switch. Lifting the guard and placing switch in ON position while AFCS is at the select operating mode menu allows operator to select Training Mode. (To exit Training Mode, either finish scenario and exit via appropriate soft key, or place TRAINING ON/OFF switch to OFF and select appropriate soft key to exit.)
- k. Soft Keys (four). Function of keys depends on menu being displayed (worked). Lowest display line identifies function.

2-11 OPERATION OF AUTOMATIC FIRE CONTROL SYSTEM (AFCS) - CONTINUED

2-11.2 AFCS Operating Controls and Indicators - Continued

- I. EL Panel. Displays various menus, operator alerts/warnings, messages and orders/commands. Information shown on the EL panel will vary, but format will remain the same. The format will show possible fire mission data fields, advisory messages, instructions, and commands. The EL panel data fields are numbered as follows:



06pc088m

- (1) Field 1, AFCS Operational Mode - The following can appear:

NORMAL - This indicates that the NORMAL OPERATIONAL mode is selected.

EMB TNG - This indicates that the TRAINING mode is selected.

MAINT - This indicates that the maintenance mode is selected.

REV XX - This indicates system software version identifier. Shown only until an AFCS mode selection is made.

(blank) - This indicates that the AFCS software is undetermined.

- (2) Field 2, FIRE MISSION STATUS - The following can appear:

CHKFIRE - This indicates that a checkfire status exists on the AFCS. This message will appear in inverse video.

FIREMSN - This indicates that the AFCS is performing a fire mission. This message will appear in inverse video.

(blank) - This indicates that the AFCS is in normal operating status awaiting orders.

- (3) Field 3, MOVE ORDER INDICATOR - The following data may appear.

MO - This indicates that the AFCS has an active move order. This indicator will appear in inverse video.

(blank) - This indicates that there is no move order active.

2-11 OPERATION OF AUTOMATIC FIRE CONTROL SYSTEM (AFCS) - CONTINUED

2-11.2 AFCS Operating Controls and Indicators - Continued

(4) Field 4, WARNING MESSAGE INDICATOR -

W - If the letter W appears in inverse video a warning message has been queued.

(blank) - This indicates that there are no warning messages for the operator to view.

(5) Field 5, RECEIVED MESSAGE INDICATOR -

R - If the letter R appears in inverse video a received message has been queued.

(blank) - This indicates that there are no received messages for the operator.

(6) Field 6, ALIGN TIME TO GO INDICATOR - This three (3) character field indicates that the AFCS is performing navigation alignment and should be complete in "nnn" (0...900) seconds or indicates that the AFCS has initiated a command sequence with the Navigation Device. Following are the data that may appear in this field, in highest to lowest priority order:

ZPT - This indicates that the DRU has indicated a ZUPT Stop has been requested.

CMD - This indicates that the AFCS has initiated a command sequence with the Navigation Device and the command sequence has not yet been completed.

POS - This indicates that the Navigation Device has requested a position update.

nnn - This three digit number indicates the number of seconds remaining before navigation alignment is complete. If the most significant digit is not the left most digit, the value will be padded with zeros on its left side.

(blank) - If the field is blank then the AFCS is not undergoing navigational alignment.

(7) Field 7, FUNCTION STATUS - Indicates the status of the various AFCS functions. The following data may appear in this field when in normal or training operational modes:

"NACW" - Each letter of this string indicates that a function is not available or non-operational. The letters represent the status of the following functions:

"N" - Navigation function

"A" - GPS Aiding function

"C" - Communications Function

"W" - Weapon Control Function

" " - Spare

(blank) - The absence of a letter indicates that the associated function is available.

(8) Field 8, LOAD KEY STATUS - this four (4) character field indicates the status of the load key. The following data may appear in this field:

LOAD - This indicates that the load key is active. If this field is highlighted, it indicates that the tube is within the load elevation.

(blank) - This indicates that the load key is inactive.

2-11 OPERATION OF AUTOMATIC FIRE CONTROL SYSTEM (AFCS) - CONTINUED

2-11.2 AFCS Operating Controls and Indicators - Continued

- (9) Field 9, LAY KEY STATUS - This three (3) character field indicates the status of the LAY key. The following may appear in this field:

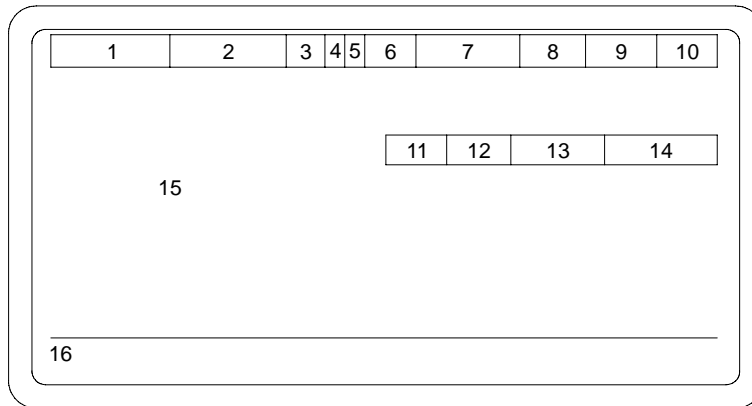
LAY - This indicates that the LAY key is active. If this field is highlighted, it indicates that the tube is at the latest LAY commands.

(blank) - This indicates that the LAY key is inactive.

- (10) Field 10, STOW KEY STATUS - This three (3) character field indicates the status of the STOW key. The following data may appear in this field:

STOW - This indicates that the STOW key is active. If this field is highlighted it indicates that the tube is within the STOW position.

(blank) - This indicates that the STOW key is inactive.



06pc088m

- (11) Field 11, Mission Priority - The following may appear:

FPF - This indicates that the mission is a Final Protective Fire mission.

PRI - This indicates that the mission is a Priority mission.

(blank) - This indicates that the mission is a Normal mission.

- (12) Field 12, Mission Urgency - The following may appear:

DC - This indicates that the mission has an associated Danger Close status.

TOT - This indicates that the AFCS is processing a Time On Target fire mission.

(blank) - This indicates that the AFCS has Normal urgency for this mission.

- (13) Field 13, Tube Temperature Status - One of the following three will appear:

COLD - This indicates that the tube temperature is in a cold status.

WARM - This indicates that the tube temperature is in a warm status.

HOT - This indicates that the tube temperature is in a hot status.

(blank) - This indicates that the tube temperature is not available.

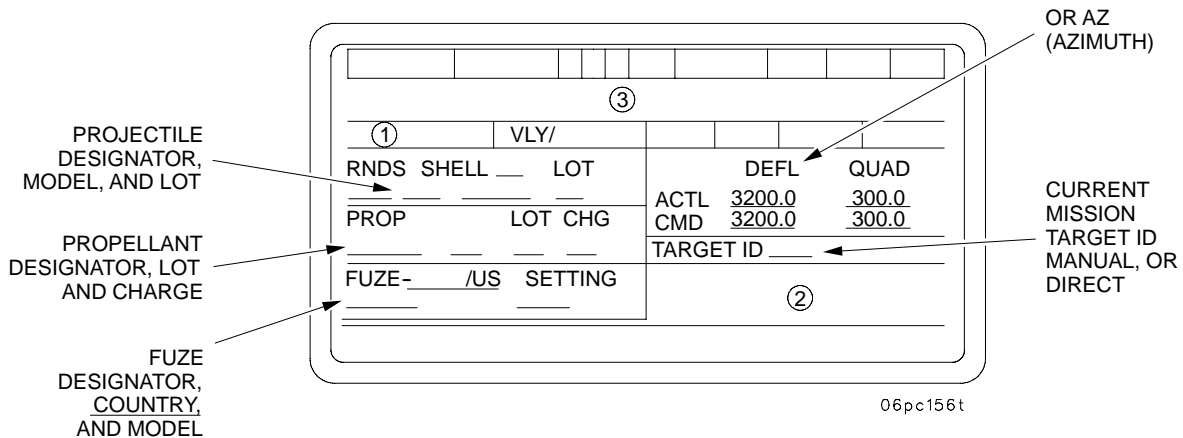
2-11 OPERATION OF AUTOMATIC FIRE CONTROL SYSTEM (AFCS) - CONTINUED

2-11.2 AFCS Operating Controls and Indicators - Continued

(14) Field 14, Safe Time in Tube Status - This indicates the current safe time for a round to be in the tube. The time is shown in minutes; refer to para 2-17d. When the tube is cold, this indicator is blank to indicate that there is no limit on the safe time in the tube.

(15) Field 15, Various instructions and warnings will appear in this area, as necessary. Some of the advisory messages and/or instructions displayed in field 15 are listed below:

Instructions and warnings which could appear on the FIRE MISSION DISPLAY:



Listed below are the legal values for each field of fire mission display.

VLY / = current volley being displayed: 1/1, 1/2 or 2/2

NOTE

The 1/1, 1/2, and 2/2 data shall not be displayed for operator initiated fire missions and missions that are in fire commands format.

RNDS = Number of rounds remainin to fire 1..99

SHELL = Shell model and mnemonic

SHELL LOT = A..Z

PROP = Propellant model

PROP LOT = A..Z

CHG = Propellant charge designator (see Table 2-1)

FUZE = Fuze model, Country and mnemonic

SETTING = Computed fuze setting, "PD" or "DELAY"

DEFL or AZ = 0.0..6399.9 mils

QUAD = -200.0+1600.0 mils

TARGET ID = Current mission target identification

2-11 OPERATION OF AUTOMATIC FIRE CONTROL SYSTEM (AFCS) - CONTINUED

2-11.2 AFCS Operating Controls and Indicators - Continued

- (1) Blank field1 = Fire mission is not a sheaf
SHEAF PT = This gun is participating in a multigun sheaf
SHEAF a/s = This gun is conducting a single gun sheaf
where: a..Current aimpoint number; b..Number of sheaf points

NOTE

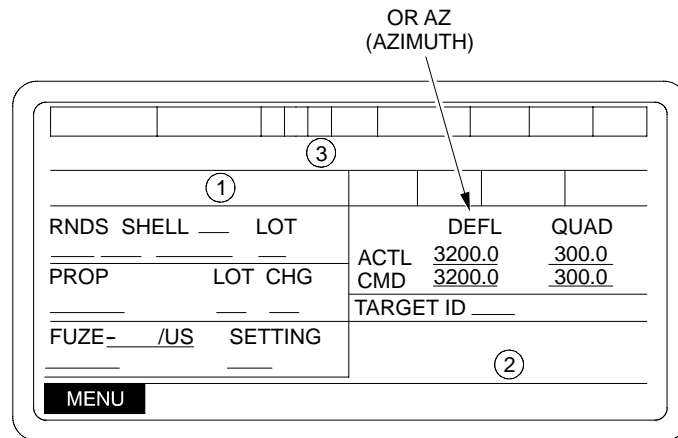
Some of the alerts listed below will result in a "OK TO SHOOT? YES, NO" short error message to the AFCS operator.

- (2) Blank field 2 = displayed when none of the following apply
REMEMBER TO UPDATE INVENTORY = Direct or manual fire mission and none of the following apply
WARNING TUBE IS NOT IN LAY POSITION = WC is operational and the tube is not in the lay window
TUBE MUST BE LAID MANUALLY = WC is not operational
CALL FDC IF ROUND IN TUBE = Awaiting tube clear and crew not authorized to fire
PRESS SHOT OR CLEAR TO ACK CEASELOAD = AFCS has received a ceaseload request
SECTOR OF FIRE VIOLATION = Gun-target line is outside the defined sector of fire
SITE VIOLATION = Firing parameters violate defined mask
INSUFFICIENT AMMO SHELL/FUZE/PROP = Insufficient inventory quantities
INSUFFICIENT AMMO SHELL/FUZE = Insufficient inventory quantities
INSUFFICIENT AMMO SHELL/PROP = Insufficient inventory quantities
INSUFFICIENT AMMO FUZE PROP = Insufficient inventory quantities
INSUFFICIENT AMMO SHELL = Insufficient inventory quantities
INSUFFICIENT AMMO FUZE = Insufficient inventory quantities
INSUFFICIENT AMMO PROP = Insufficient inventory quantities
MAX TUBE EL EXCEEDED = Computed QE exceeds the defined maximum tube elevation.
MINIMUM QE VIOLATED = The Gun Tube has violated the minimum QE as entered by the AFCS operator. Enter Minimum Firing QE Display.
- (3) Blank field 3 indicates that none of the following apply
FIRE WHEN READY = Fire at will
UNDER VOICE ORDERS = Manual fire mission
COMPUTING DO NOT LOAD = AFCS computing or waiting for operator response
DO NOT LOAD = Do not load mission
LOAD LAY THEN PRESS READY = At my command or Copperhead mission
WAIT FOR COMMAND = At my command after ready
WAIT XXX SECONDS = Time to fire mission or continuous interval mission
FIRE = Command to fire
FPF END OF MISSION = EOM of ceaseload during FPF
EARLY END OF MISSION = EOM received after load but before all rounds fired
CEASELOAD = Ceaseload received after load but before all rounds fired

2-11 OPERATION OF AUTOMATIC FIRE CONTROL SYSTEM (AFCS) - CONTINUED

2-11.2 AFCS Operating Controls and Indicators - Continued

Instructions and warnings which could appear on the SECTION IN ORDER DISPLAY are as follows.



06pc157ta

(1) Blank field 1, indicates that none of the following conditions apply:

- COMPUTING FPF/PRI
- NO FPF/PRI EXISTS
- UNABLE TO COMPUTE
- MASK TRAJ FAILURE
- SECTOR VIOLATION
- MASK VIOLATION
- INSUFFICIENT AMMO
- NO FUZE INVENTORY
- NO PROJ INVENTORY
- NO PROP INVENTORY
- BAD PROJ LOT/MODEL
- NO AMMO INV COMBO
- INVALID AMMO COMBO
- INSUFFICIENT RANGE
- NO SOLUTION
- NO FFE TYPE MISSION
- UNASSIGNED FPF/PRI
- BAD FPF/PRI LOC
- TARGET TOO CLOSE
- MAX TUBE EL EXCEEDED

2-11 OPERATION OF AUTOMATIC FIRE CONTROL SYSTEM (AFCS) - CONTINUED

2-11.2 AFCS Operating Controls and Indicators - Continued

(2) Instructions and warnings which could appear in field (2):

SECTION IN ORDER AT FIRE POINT
SECTION IN ORDER WITHIN FIRE AREA

(3) Instructions and warnings which could appear in field (3):

DO NOT MOVE/DO NOT LOAD
DO NOT MOVE
MOVES ALLOWED
MOVES ALLOWED DO NOT LOAD

Table 2-1 Charge Displayed Based on Propellant Model

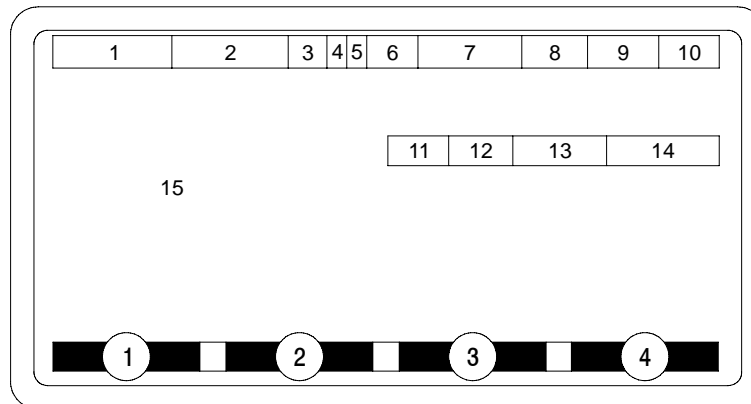
Charge Displayed	Based on propellant model
3G, 4G, 5G	M3, M3A1, M3A1BG, M3C2, DM62
3G, 4G, 5G, 6G	MLE56
6W, 7W, 8W, 9W, 9BW	MLE69
3W, 4W, 5W, 6W, 7W	M4A1, M4A2, M4C3, M4C4, DM42, DM42B1, NM23
8	M119A1, EBO-5
7R	M119A2, M119A2BG, NR13C1
8R	M203
8S	M203A1
1L, 2L	M231
3H, 4H, 5H	M232/M232A1

2-11 OPERATION OF AUTOMATIC FIRE CONTROL SYSTEM (AFCS) - CONTINUED

2-11.2 AFCS Operating Controls and Indicators - Continued

(16) Field 16, Function Key Label - This block is used to identify the function of the four soft keys.

Soft key messages and task actions are also displayed in this area to give the AFCS operator a means of keeping track of various AFCS related actions during AFCS operation. Typical messages are shown below:



06pc088m

- | | |
|--|---|
| <p>(1) Function Key 1, indicates what may appear in this field.
 SELECT
 NEXT MSG
 +/-
 MARK
 ADJ
 PREV
 MENU
 VERIFY
 PREV</p> | <p>(3) Function Key 3, indicates what may appear in this field.
 CHECK
 DELETE
 YES
 USE GPS
 EMPLACE
 STEERTO
 FFE2
 SEND
 CLEAR
 EXPECTED</p> |
| <p>(2) Function Key 2, indicates what may appear in this field.
 USE ALL
 FINISHED
 NEXT PAGE
 +/-
 FINISHED
 USE LOCAL
 FFE1
 INVENTORY
 ARRIVED
 UPDATE EFC
 CLEAR</p> | <p>(4) Function Key 4, indicates what may appear in this field.
 CANCEL
 ACK
 EOM
 NO
 CONTINUE
 MOVING
 EXIT
 ABORT</p> |

2-11 OPERATION OF AUTOMATIC FIRE CONTROL SYSTEM (AFCS) - CONTINUED

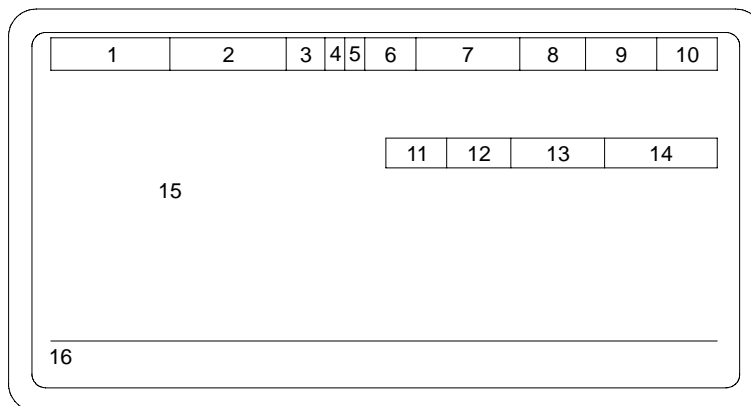
2-11.2 AFCS Operating Controls and Indicators - Continued

HIGH PRIORITY MESSAGES

"AFCS CHECKFIRED", "ACK"
 "FIRE MISSION RECEIVED", "ACK"
 "POWER FAILURE SHUTDOWN", "ACK"
 "ON AUX POWER START VEHICLE", "ACK"
 "AUX BATTERY NOT CONNECTED", "ACK"
 "VEHICLE AND AUX POWER OK", "ACK"
 "NAV OUT-NSP POWER UP BIT", "ACK"
 "NAV EXCESSIVE RATE RESTART REQ", "ACK"
 "ALIGN ABORTED RESTART REQD", "ACK"
 "MAP UPDATED NAV UPDT REQUIRED", "ACK"
 "MAP/NAV CONFLICT UPDATE NAV", "ACK"
 "OVERRIDE AZ LIMITS", "YES", "NO"
 "NAV OUT-DRU BIT FAIL", "ACK"
 "NAV OUT-DRU DISCONNECT", "ACK"
 "NAV OUT-NSP DISCONNECT", "ACK"
 "AUX POWER LOW", "ACK"
 "FIRE MISSION RCVD", "ACCEPT", "REJECT"
 "MAP DATUM UPDATE REQUIRED", "ACK"
 "NAV OUT-DRU INERTIAL FAIL", "ACK"
 "NAV OUT-DRU OP FAIL", "ACK"
 "AFCS FIRE CONTROL ALIGNMENT REQD", "ACK"

LOW PRIORITY MESSAGES

"INVALID SOFTWARE CONFIGURATION", "ACK"
 "NAV POS UPDATE REQUIRED", "ACK"
 "NAV POS UPDATE NO LONGER REQ", "ACK"
 "ZUPT REQUIRED", "ACK"
 "ZUPT NO LONGER REQUIRED", "ACK"
 "MOTION DURING POS UPDATE", "ACK"
 "POS UPDATE INTERRUPTED", "ACK"
 "POS UPDATE N/E EXCESSIVE", "ACK"
 "POS UPDATE N/E RJTD", "ACK"
 "POS UPDATE ALTITUDE EXCESSIVE", "ACK"
 "POS UPDATE ALTITUDE RJTD", "ACK"
 "NAV RESTART RJTD VEH MOVING", "ACK"



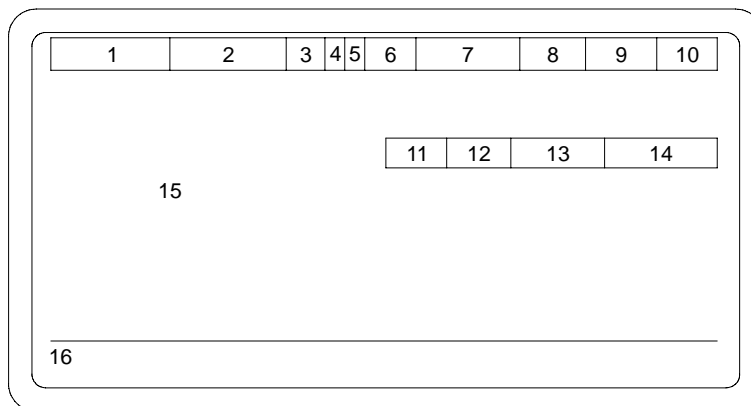
06pc088m

2-11 OPERATION OF AUTOMATIC FIRE CONTROL SYSTEM (AFCS) - CONTINUED

2-11.2 AFCS Operating Controls and Indicators - Continued

LOW PRIORITY MESSAGES - CONTINUED

"NET ADDR RJTD NEW SUBSBR FILE", "ACK"
 "INVALID OPERATIONAL MODE", "ACK"
 "NET CONFG UPDTE RJTD FM ACTIVE", "ACK"
 "NET ADDR UPDTE RJTD FM ACTIVE", "ACK"
 "NAV RESTART RJTD FM ACTIVE", "ACK"
 "UPDATE RJTD WRONG NAV MODE", "ACK"
 "CLOCK UPDATE RJTD FM ACTIVE", "ACK"
 "NAV RESTART RJTD BAD POS", "ACK"
 "WPN OUT", "ACK"
 "WC SUBSYSTEM OUT", "ACK"
 "TUBE TEMP SENSOR OUT", "ACK"
 "COMMO OUT", "ACK"
 "NETWORK COMMO OUT", "ACK"
 "PDIU OR PDIU BUS OUT", "ACK"
 "POS UPDATE RJTD BAD POS", "ACK"
 "POS UPDATE RJTD HOWITZER MOVG", "ACK"
 "POS UPDATE RJTD FM ACTIVE", "ACK"
 "POS UPDATE RJTD VEH MOTION", "ACK"
 "RESTART RJTD NAV OUT", "ACK"
 "POS UPDATE RJTD WRONG NAV MODE", "ACK"
 "NET BUSY AMMO", "RETRY", "NO RETRY"
 "NET BUSY REQ AMMO", "RETRY", "NO RETRY"
 "NET BUSY CHECKFIRE", "RETRY", "NO RETRY"
 "NET BUSY DESIGNATE", "RETRY", "NO RETRY"
 "NET BUSY FREE TEXT", "RETRY", "NO RETRY"
 "NET BUSY VEH STS", "RETRY", "NO RETRY"
 "NET BUSY REQ VEH STS", "RETRY", "NO RETRY"
 "NET BUSY REQ INT", "RETRY", "NO RETRY"
 "NET BUSY SITE DATA", "RETRY", "NO RETRY"
 "NET BUSY REQ SITE", "RETRY", "NO RETRY"
 "NET BUSY REQ MOV ORD", "RETRY", "NO RETRY"
 "NET BUSY MTO TOF", "RETRY", "NO RETRY"
 "NET BUSY MTO DENY", "RETRY", "NO RETRY"
 "POSITION UPDATE RJTD NAV OUT", "ACK"



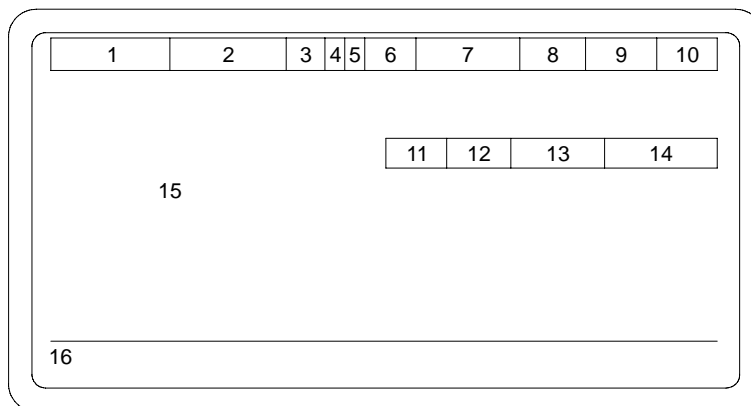
06pc088m

2-11 OPERATION OF AUTOMATIC FIRE CONTROL SYSTEM (AFCS) - CONTINUED

2-11.2 AFCS Operating Controls and Indicators - Continued

LOW PRIORITY MESSAGES - CONTINUED

"NET BUSY READY", "RETRY", "NO RETRY"
 "NET BUSY ROUND COMP", "RETRY", "NO RETRY"
 "NET BUSY SHOT", "RETRY", "NO RETRY"
 "NET BUSY SPLASH", "RETRY", "NO RETRY"
 "NET BUSY TARGET FILE", "RETRY", "NO RETRY"
 "NET BUSY UTE BAT", "RETRY", "NO RETRY"
 "NO ACK AMMO", "RETRY", "NO RETRY"
 "NO ACK REQ AMMO", "RETRY", "NO RETRY"
 "NO ACK CHECK FIRE", "RETRY", "NO RETRY"
 "NO ACK DESIGNATE", "RETRY", "NO RETRY"
 "NO ACK FREE TEXT", "RETRY", "NO RETRY"
 "NO ACK VEH STS", "RETRY", "NO RETRY"
 "NO ACK REQ VEH STS", "RETRY", "NO RETRY"
 "NO ACK VEH INIT", "RETRY", "NO RETRY"
 "NO ACK SITE DATA", "RETRY", "NO RETRY"
 "NO ACK REQ SITE DATA", "RETRY", "NO RETRY"
 "NO ACK REQ MOVE ORD", "RETRY", "NO RETRY"
 "NO ACK MTO TOF", "RETRY", "NO RETRY"
 "NO ACK MTO DENY", "RETRY", "NO RETRY"
 "NO ACK READY", "RETRY", "NO RETRY"
 "NO ACK ROUND COMP", "RETRY", "NO RETRY"
 "NO ACK SHOT", "RETRY", "NO RETRY"
 "NO ACK SPLASH", "RETRY", "NO RETRY"
 "NO ACK TARGET FILE", "RETRY", "NO RETRY"
 "NO ACK UTE BAT", "RETRY", "NO RETRY"
 "PDIU WARNING RECEIVED", "ACK"



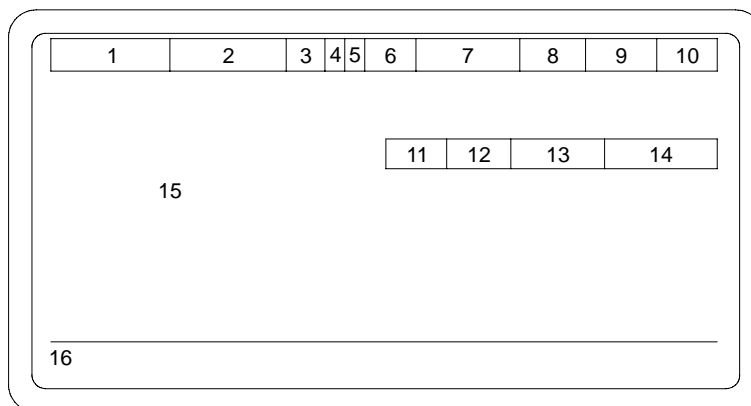
06pc088m

2-11 OPERATION OF AUTOMATIC FIRE CONTROL SYSTEM (AFCS) - CONTINUED

2-11.2 AFCS Operating Controls and Indicators - Continued

LOW PRIORITY MESSAGES-CONTINUED

- "PROP TEMP UPDATE PENDED", "ACK"
- "AMMO INVENTORY UPDATE PENDED", "ACK"
- "SITE DEFINITION UPDATE PENDED", "ACK"
- "DIRECT FIRE RJTD NAV NOT INIT", "ACK"
- "DIRECT FIRE RJTD WPN OUT", "ACK"
- "DIRECT FIRE RJTD OUTSIDE MAP", "ACK"
- "DIRECT FIRE RJTD MAP PENDING", "ACK"
- "DIRECT FIRE RJTD IN CHECKFIRE", "ACK"
- "DIRECT FIRE RJTD FM ACTIVE", "ACK"
- "MANUAL COMMANDS RJTD FM ACTIVE", "ACK"
- "MANUAL COMMANDS RJTD CHECKFIRE", "ACK"
- "SIMULATED NAV FAILURE", "CLEAR"
- "SIMULATED ELECTRICAL FAILURE", "CLEAR"
- "SIMULATED HYDRAULIC FAILURE", "CLEAR"
- "SIMULATED COMMO FAILURE", "CLEAR"
- "SIMULATED WPN FAILURE", "CLEAR"
- "SIMULATED NAV FAILURE", "ACK"
- "SIMULATED ELECTRICAL FAILURE", "ACK"
- "SIMULATED HYDRAULIC FAILURE", "ACK"
- "SIMULATED COMMO FAILURE", "ACK"
- "SIMULATED WPN FAILURE", "ACK"
- "SIMULATED FAILURES CLEARED", "ACK"
- "MOVE RJTD DEST NOT IN MAP", "ACK"
- "MOVE RJTD NO MAP", "ACK"
- "MOVE RJTD MAP PENDING", "ACK"
- "PRESS ACK WHEN TUBE STOWED", "ACK"
- "VEHICLE MOTION SENSOR OUT", "ACK"



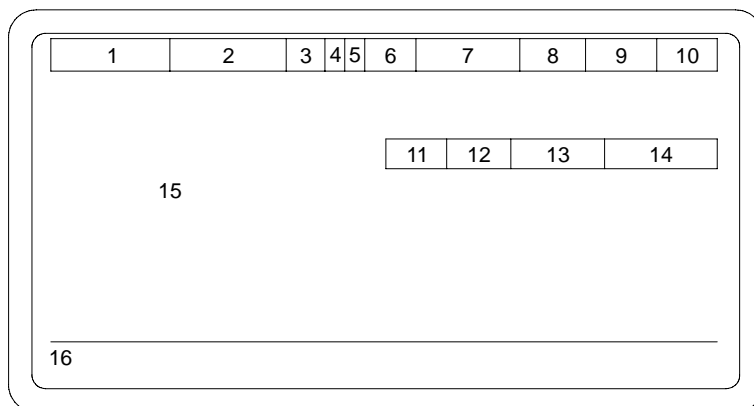
06pc088m

2-11 OPERATION OF AUTOMATIC FIRE CONTROL SYSTEM (AFCS) - CONTINUED

2-11.2 AFCS Operating Controls and Indicators - Continued

LOW PRIORITY MESSAGES-CONTINUED

"DIRECT FIRE RJTO TGT COMP ERR", "ACK"
"NO BALLISTIC SOLUTION", "ACK"
"PROP TEMP UPDATE REQUIRED", "ACK"
"VEHICLE MOTION SENSOR GOOD", "ACK"
"DRU OVERTEMP", "ACK"
"DRU NO LONGER OVERTEMP", "ACK"
"ZONE BOUNDARY CROSSED", "ACK"
"OK TO MOVE OR SHOOT", "ACK"
"EMBEDDED TRAINING OUT", "ACK"
"GPS OUT - PLGR DISCONNECT", "ACK"
"GPS CONNECTED", "ACK"
"GPS OUT - PLGR FAILED", "ACK"
"GPS OPERATIONAL", "ACK"
"GPS ANTENNA FAULT", "ACK"
"GPS ANTENNA OK", "ACK"
"PLGR UNKEYED", "ACK"
"INP/GPS DELTA TOO LARGE", "ACK"
"INP/GPS N/E EXCESSIVE", "ACK"
"INP/GPS N/E REJECTED", "ACK"
"INP/GPS ALT EXCESSIVE", "ACK"
"INP/GPS ALT REJECTED", "ACK"
"POSITION UPDATE BEYOND ZONE", "ACK"
"BORESIGHT UPDT RJTD VEH MOVING", "ACK"
"RESTART REQUIRED", "ACK"
"POSITION UPDATE REQUIRED", "ACK"
"DRU CONNECT", "ACK"
"INSUFFICIENT Y CODE SVS", "ACK"



06pc088m

2-11 OPERATION OF AUTOMATIC FIRE CONTROL SYSTEM (AFCS) - CONTINUED

2-11.3 DC Power Messages.

Three Auxiliary Power messages can appear on any menu being displayed on the DU panel. Operator actions for any message will be the same regardless of the menu on which it is displayed.

2-11.3.1 On Auxiliary Power. If vehicle battery voltage drops to a point below that needed by the Power Conditioner Unit (PCU) to operate the AFCS, the PCU will automatically switch to auxiliary power (backup batteries) to maintain AFCS operation. When the switch to auxiliary power occurs, an audible alert will be sounded over the intercom, and a visual alert will be displayed at the bottom of the menu.



Prolonged operation on auxiliary power may cause the AFCS to shut down automatically.

At this time, the vehicle engine must be started to recharge the vehicle batteries.

The operator must press the soft key under ACK to silence the audible alarm and eliminate the message.

RNDS	SHELL	___	LOT	DEFL	QUAD		
___	___	___	___	ACTL	3200.0	300.0	
PROP			LOT CHG	CMD	3200.0	300.0	
				TARGET ID			
FUZE-	___	/US	SETTING				
ON AUX POWER START VEHICLE						ACK	

06pc157t

2-11 OPERATION OF AUTOMATIC FIRE CONTROL SYSTEM (AFCS) - CONTINUED

2-11.3 DC Power Messages - Continued

2-11.3.2 Auxiliary Power Not Available. If the auxiliary power batteries are not functional (e.g., low, damaged, or disconnected), a visual alert will be displayed at the bottom of the menu.

The operator must press the soft key under ACK to eliminate the message. At this time, the vehicle engine must be started and kept running to ensure AFCS operation until auxiliary power is restored.

NOTE

This message can also appear during BIT.

RNDS SHELL ___ LOT			DEFL	QUAD	
PROP ___ LOT CHG			ACTL 3200.0	300.0	
FUZE- ___ /US SETTING			CMD 3200.0	300.0	
			TARGET ID ___		
AUX BATTERY NOT CONNECTED				ACK	

06pc158t

2-11.3.3 Vehicle and Auxiliary Power OK. When the vehicle battery voltage rises sufficiently, the PCU will automatically switch to vehicle power. When the switch occurs, a visual alert is displayed at the bottom of the menu as shown below.

The operator must press soft key under ACK to eliminate the message.

RNDS SHELL ___ LOT			DEFL	QUAD	
PROP ___ LOT CHG			ACTL 3200.0	300.0	
FUZE- ___ /US SETTING			CMD 3200.0	300.0	
			TARGET ID ___		
VEHICLE AND AUX POWER OK				ACK	

06pc159t

2-12 AFCS INITIALIZATION.

2-12.1 System Power-Up.

WARNING

When operating the PLGR on external power with BA-5800 lithium battery installed, the battery may explode. Ensure battery is removed before connecting power cable to prevent serious injury or death.

NOTE

- M93 MVS must be installed and connected prior to turning the vehicle MASTER power switch ON.
 - PLGR should be installed and powered prior to turning on the DU of the AFCS in order for the AFCS to use the PLGR data.
 - The following steps must be completed prior to POWERING UP and INITIALIZATION of the AFCS.
- a. Outside the howitzer:
1. Left front drive sprocket must be within 1 meter of SCP.
 2. Gun tube in travel lock.
 3. M93 Chronograph connections verified.
 4. FM VOICE/DIGITAL Radio antennas are properly mounted, cables and ground connections verified.
 5. PLGR antenna cable connections verified.
- b. Inside the howitzer:
1. Turret lock in "LOCKED" position.
 2. 1553 BUS terminator connection verified.
 3. PLGR ground connection verified.
 4. PLGR installed.
 5. Set MASTER switch to ON.
 6. Ensure 10 PCU switches are ON.
 7. Turn PLGR ON, FILL verified.
 8. Turn radios ON, and perform VOICE radio check.
 9. Idle engine at 1000 to 1200 RPMs.
 10. POWER UP AFCS.

2-12 AFCS INITIALIZATION.

2-12.1 System Power-Up - Continued

With the PLGR in the PLGR mount and all external cables attached, press the ON/BRT key on the PLGR key pad. The PLGR should power up automatically and perform its self-test (BIT). Operate the PLGR in accordance with the PLGR TM 11-5825-291-13.

If the PLGR does not have a current key (i.e. the PLGR was previously “zeroized,” newly installed or the key has expired), then load a valid key in accordance with the PLGR TM 11-5825-291-13, Section 3.6.

NOTE

To load a key, the DRUH must be off, or the P4 DRUH-PLGR Signal Connector must be disconnected to cause a PLGR COM FAIL. Simple re-attachment of P4 DRUH-PLGR Signal Connector after PLGR keying will automatically cause DRUH-PLGR communications to resume if DRUH is on.

If the PLGR antenna has a clear view of the sky, turn PLGR on.

If the antenna’s view of the sky is blocked (e.g. the vehicle is in a building, under tree cover or parked next to a large structure), move vehicle until the PLGR antenna is clear.

If the vehicle can not be moved, keep PLGR turned off until the vehicle can be moved to a location with a clear view of the sky.

NOTE

- If the PLGR is off, the Navigation System will still accept initialization data from the AFCS for inertial operation and the Navigation System will operate as before.
 - Guidelines for conditions and times for the PLGR to obtain position data acceptable by the AFCS.
- c. If the antenna has a clear view of the sky and PLGR has a valid position, current GPS time, current GUV key, and has stored a current satellite almanac, PLGR will be acceptable for use in about 3 minutes following the first turn-on of the day. It will take about 90 seconds for subsequent turn-ons. These are the normal operating conditions.
- d. If the antenna has a clear view of the sky and PLGR has a current GUV key but PLGR doesn’t have a valid position, current GPS time, or current satellite almanac, it may take up to 20 minutes after turn-on for the PLGR to output data of acceptable accuracy.

2-12 AFCS INITIALIZATION - CONTINUED

2-12.1 System Power-Up - Continued

- e. If the PLGR has a valid position, current GPS time, current key, and current satellite almanac, but the antenna is masked from a clear view of the sky when PLGR is turned on, it may take up to 20 minutes to get acceptable data after the vehicle is moved to a location with a clear view of the sky. This results from the PLGR initiating a search for all possible satellites if it can't lock on to those expected, for its current position, time, and almanac, within a reasonable time interval.
- f. If the PLGR doesn't have a current key, its data won't be acceptable for use by the AFCS. However, assuming a clear view of the sky, it can be turned on to initialize position, time, and satellite almanac in about 20 minutes. Then when a valid key is located, the PLGR will be ready to go within three minutes.

NOTE

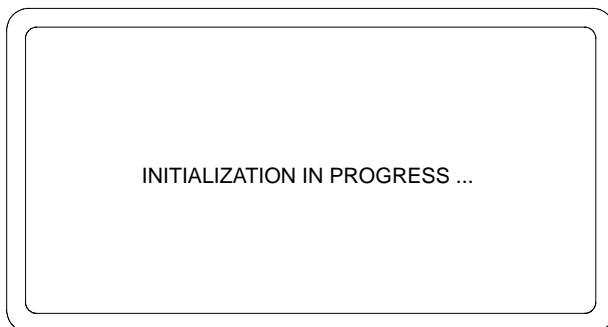
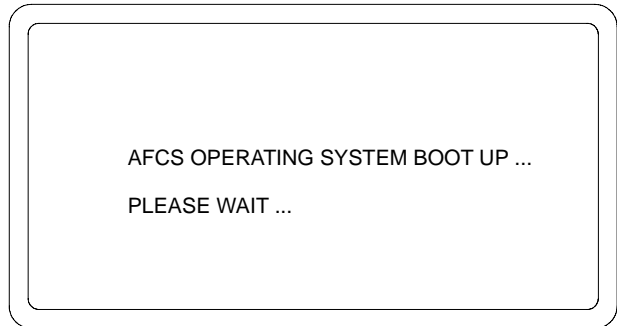
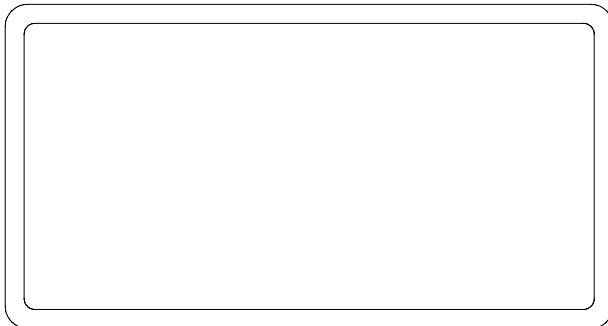
M93 MVS must be installed and connected prior to turning the vehicle MASTER power switch ON.

Make sure TRAINING switch on DU is OFF. Set POWER switch on DU to ON. When power is first applied to the AFCS, the display will be blank and the AFCS will automatically perform its internal self-test (BIT). Next a screen will be displayed with this message "AFCS OPERATING SYSTEM BOOT UP . . . PLEASE WAIT" . . . , followed by an "INITIALIZATION IN PROGRESS. . ." screen.

NOTE

- The time lapse between first three screens can range from 3 to 5 minutes.
- If screen stays blank for more than 7 minutes, power down system.

A SYSTEM VERIFICATION FAILURE screen may be displayed only if there is an incompatibility between hardware and software.



2-12 AFCS INITIALIZATION - CONTINUED

2-12.1 System Power-Up - Continued

After the AFCS powers up, the PLGR screen should read:

```
REMOTE CONTROL
Only ZEROIZE key
activated
```

At this point the PLGR key pad will become inactive. The only PLGR operation allowed using the key is EMERGENCY ZEROIZE.

If this message is not displayed on the PLGR screen, and the Low Priority Message "GPS OUT - PLGR DISCONNECTED" is not displayed on the DU, ensure that the DRUH-PLGR Signal Connector (P4) plug on the W17A Cable is connected and secure. Once this PLGR screen is displayed, proceed with system initialization.

NOTE

- NAV SUBSYSTEM includes: VMS, DRUH, VMS Modems
- PCU SUBSYSTEM includes: PCU and both Back-up Batteries.
- The switches on the PCU are circuit breakers. They should be left ON at all times, so they will not wear out from being turned off and on constantly.

This screen displays the subsystems that are checked by BIT. As the subsystems are checked, the dashed lines will change to a subsystem status (OK, DEGRADED, OUT, - -). The - - appears on the MVS status line when the AFCS could not be connected to the MVS. This screen also identifies the system software version.

REV XX		
POWER UP STATUS		
DCU	SUBSYSTEM	—
COMMO	SUBSYSTEM	—
NAV	SUBSYSTEM	—
WPN	SUBSYSTEM	—
PCU	SUBSYSTEM	—
1553	BUS	—
PDIU	SUBSYSTEM	—
MVS	SUBSYSTEM	—

06pc071m

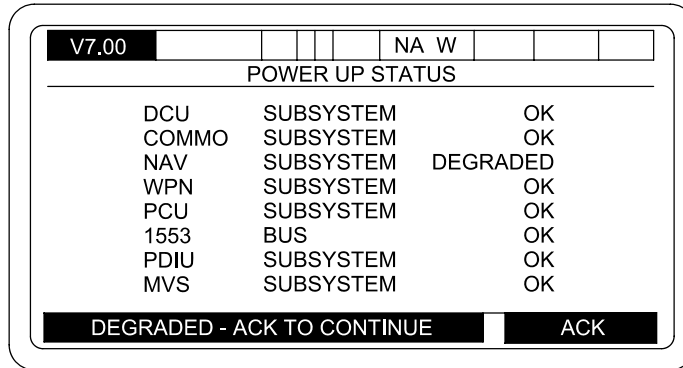
2-12 AFCS INITIALIZATION - CONTINUED

2-12.1 System Power-Up - Continued

In the event of a failure during POWER UP STATUS, the message “DEGRADED – ACK TO CONTINUE” will be displayed on the bottom line of the EL Panel. To continue, depress soft key under ACK. After the self-test is complete, SELECT OPERATIONAL MODE menu is displayed.

NOTE

If all systems are OK, the screen below will not be shown.

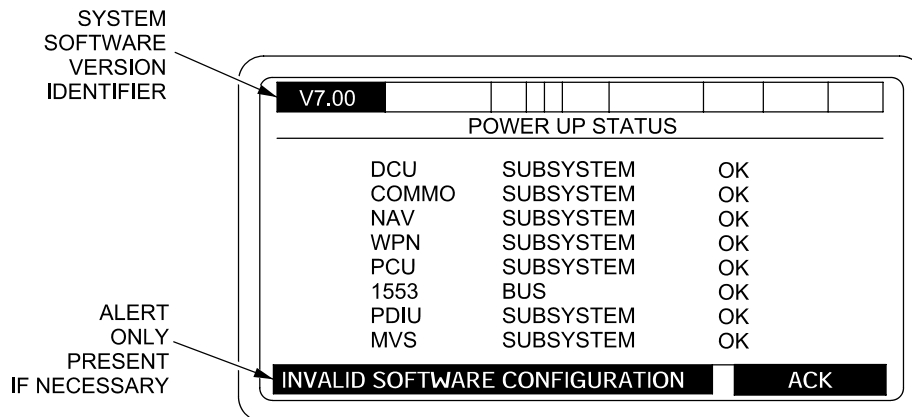


06pc072m

NOTE

If DCU contains an incorrect configuration, the AFCS will not allow the operator to select normal operations until a correct DCU software configuration is downloaded.

When configuration verification checking indicates that the executed software configuration is not the same as the acquired software configuration, a short error message “INVALID SOFTWARE CONFIGURATION”, “ACK” will appear on the soft key label line of the DU.

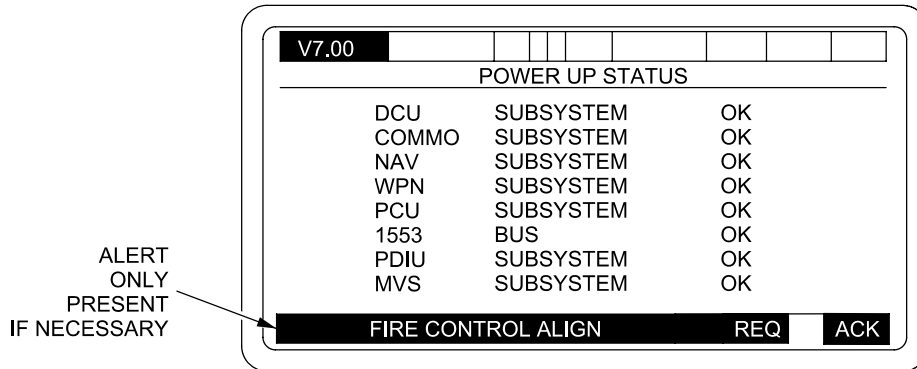


06pc073m

2-12 AFCS INITIALIZATION - CONTINUED

2-12.2 Initializing.

When a Fire Control Alignment is required by the AFCS, the alert "FIRE CONTROL ALIGN" "REQ", "ACK" will appear on the soft key label line of the DU. This alignment must be accomplished before INITIALIZATION of the AFCS can be completed. If a full Fire Control Alignment including SYSTEM RESTART or Power Cycle is not completed when it is requested, the DU FAULT lamps and ACU BIT lamp will illuminate and remain lit.



06pc073ma

When the message is acknowledged, the AFCS will proceed to the "SELECT OPERATIONAL MODE" menu. To view detailed software configuration information for each LRU, MAINTENANCE should be selected, IAW procedure in para 3-5.1.

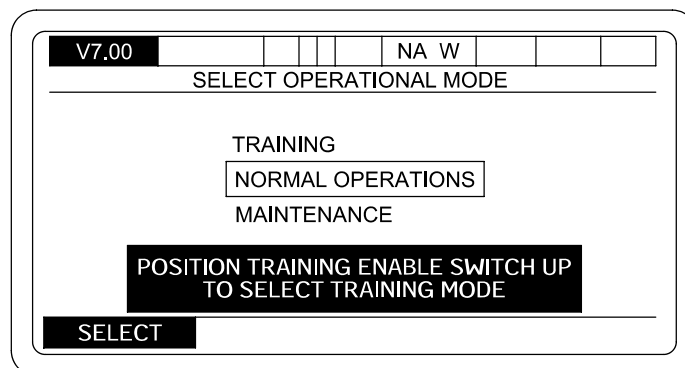
NOTE

After an orderly shutdown, go to para 2-12.3. However, if a catastrophic failure happens within the system, follow the procedures below.

When initializing the AFCS, communications parameters (NET ACCESS and NET ADDRESS) are entered to establish digital communications. Data to align the navigation system to a known location must also be entered at initialization. Other data to establish date/time, ammunition supply and propellant temperature, TOT response time, load elevation, and sector of fire must be entered before the initialization process is complete. All this data is input during NORMAL OPERATIONS Mode which is selected from the SELECT OPERATIONAL MODE menu.

NOTE

It is possible that an ALERT(S) may appear on the bottom line of the SELECT OPERATIONAL MODE screen. To continue, press the "ACK" soft key.



06pc094m

2-12 AFCS INITIALIZATION - CONTINUED

2-12.2 Initializing - Continued

- a. Mode Selection. Set TRAINING ON/OFF switch to OFF when selection other than TRAINING is required. Box in NORMAL OPERATIONS mode. Press SELECT key. NET ACCESS menu will be displayed.

NET ACCESS menu can also be entered from the SETUP AND INFORMATION menu.

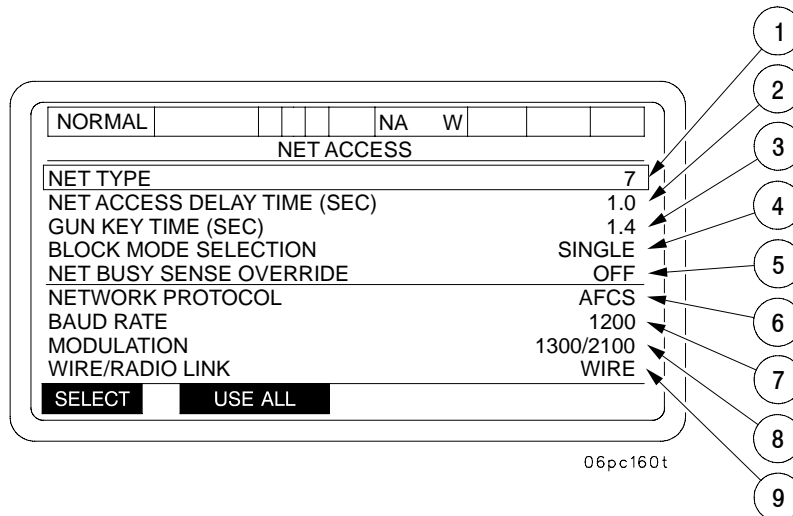
- b. Net Access. Using the NET ACCESS menu, check that data in the displayed menu shows same data that the unit SOP specifies.

NOTE

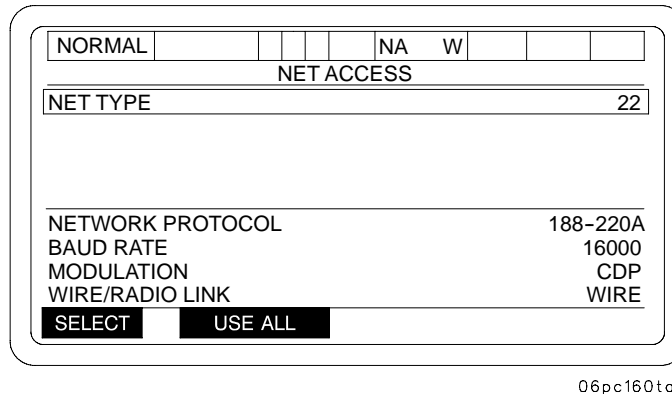
To ensure efficient set up of the digital net, it is very important that NET ACCESS and NET ADDRESS data be assigned and controlled by POC/BCS. Verify data per local SOP.

When NETWORK PROTOCOL is AFCS the menu below will be displayed.

- (1) NET TYPE - To select the correct NET TYPE for NETWORK PROTOCOL see Table 2-2 for AFCS NETWORK PROTOCOL entries 1 to 21, and Table 2-3 for 188-220A PROTOCOL entries 22 to 52.



When NETWORK PROTOCOL is AFCS the menu below will be displayed.



When NETWORK PROTOCOL is 188-220A NET ADDRESS menu will be displayed.

2-12 AFCS INITIALIZATION - CONTINUED

2-12.2 Initializing - Continued

Entries for the NET ACCESS menu are listed below.

- ① ENTER NET TYPE. NUMERIC FIELD, RANGE 1. . 52 (DEFINED IN TABLES 2-2 AND 2-3 (SEE (b) BELOW)
- ② NUMERIC FIELD, RANGE .5 TO 49.5 SECONDS (SEE (a) BELOW)
- ③ WHEN SELECTED GUN KEY TIME MENU WILL BE DISPLAYED
- ④ (SINGLE, DOUBLE) ENTRY
- ⑤ (OFF, ON) ENTRY
- ⑥ AFCS OR 188-220A BASED ON NET TYPE. NOT SELECTABLE (SEE NOTE (c and d) BELOW)
- ⑦ (300, 600, 1200, 2400, 4800, 8000, 16000, 32000) BASED ON NET TYPE. NOT SELECTABLE
- ⑧ (NRZ, CDP, 1200/2400, 1300/2100, 1575/2425) BASED ON NET TYPE. NOT SELECTABLE
- ⑨ (WIRE RADIO, RADIO/KY-57) BASED ON NET TYPE. NOT SELECTABLE
WHEN NET TYPE OR NET ACCESS DELAY TIME IS SELECTED (SEE (a and b) BELOW)

USE ALL - The NET ADDRESS (AFCS) menu will be displayed if NETWORK PROTOCOL is AFCS
 - The NET ADDRESS (188.220A) menu will be displayed if NETWORK PROTOCOL is 188-220A

- a. When NET ACCESS DELAY TIME (SEC) SELECTED WIRE RADIO LINK LINE, line is overwritten with, "TYPE TIME: .5 TO 49.5 SEC" - PRESS ENT -
- b. When NET TYPE SELECTED WIRE RADIO LINK LINE is overwritten with, "TYPE NET TYPE: Entries from Tables 2-2 and 2-3" - PRESS ENT -

2-12 AFCS INITIALIZATION - CONTINUED

2-12.2 Initializing - Continued

TABLE 2-2 NET TYPE Table (AFCS PROTOCOL)

	PROTOCOL	Device	Modulation	Baud Rate
1	AFCS	Wire	CDP	8,000
2	AFCS	Wire	CDP	16,000
3	AFCS	Wire	CDP	32,000
4	AFCS	Wire	1200/2400	600
5	AFCS	Wire	1200/2400	1,200
6	AFCS	Wire	1300/2100	600
7	AFCS	Wire	1300/2100	1,200
8	AFCS	Radio	NRZ	600
9	AFCS	Radio	NRZ	1,200
10	AFCS	Radio	NRZ	2,400
11	AFCS	Radio	NRZ	4,800
12	AFCS	Radio	NRZ	16,000
13	AFCS	Radio	1200/2400	600
14	AFCS	Radio	1200/2400	1,200
15	AFCS	Radio	1300/2100	600
16	AFCS	Radio	1300/2100	1,200
17	AFCS	Radio/KY-57	NRZ	16,000
18	AFCS	Radio/KY-57	1200/2400	600
19	AFCS	Radio/KY-57	1200/2400	1,200
20	AFCS	Radio/KY-57	1300/2100	600
21	AFCS	Radio/KY-57	1300/2100	1,200

2-12 AFCS INITIALIZATION - CONTINUED**2-12.2 Initializing - Continued****TABLE 2-3 NET TYPE Table (188-220A)**

	PROTOCOL	Device	Modulation	Baud Rate
22	188-220A	Wire	CDP	16,000
23	188-220A	Wire	CDP	32,000
24	188-220A	Wire	1300/2100	300
25	188-220A	Wire	1300/2100	600
26	188-220A	Wire	1300/2100	1,200
27	188-220A	Wire	1575/2425	300
28	188-220A	Wire	1575/2425	600
29	188-220A	Wire	1575/2425	1,200
30	188-220A	Radio	NRZ	600
31	188-220A	Radio	NRZ	1,200
32	188-220A	Radio	NRZ	2,400
33	188-220A	Radio	NRZ	4,800
34	188-220A	Radio	NRZ	16,000
35	188-220A	Radio	1300/2100	300
36	188-220A	Radio	1300/2100	600
37	188-220A	Radio	1300/2100	1,200
38	188-220A	Radio	1575/2425	300
39	188-220A	Radio	1575/2425	600
40	188-220A	Radio	1575/2425	1,200
41	188-220A	Radio/KY-57	NRZ	300
42	188-220A	Radio/KY-57	NRZ	600
43	188-220A	Radio/KY-57	NRZ	1,200
44	188-220A	Radio/KY-57	NRZ	2,400
45	188-220A	Radio/KY-57	NRZ	4,800
46	188-220A	Radio/KY-57	NRZ	16,000
47	188-220A	Radio/KY-57	1300/2100	300
48	188-220A	Radio/KY-57	1300/2100	600
49	188-220A	Radio/KY-57	1300/2100	1,200
50	188-220A	Radio/KY-57	1575/2425	300
51	188-220A	Radio/KY-57	1575/2425	600
52	188-220A	Radio/KY-57	1575/2425	1,200

2-12 AFCS INITIALIZATION - CONTINUED

2-12.2 Initializing - Continued

- (2) NET ACCESS DELAY TIME - Used to select proper transmission delay time to maintain network access precedence order assigned to various subscribers. To enter a new NET ACCESS DELAY TIME, box in new time. Press SELECT key. Menu will request time entry. Enter new time per SOP. Allowable entries are 0.5 to 49.5 seconds in 0.5 second intervals.

NORMAL					NA	W			
NET ACCESS									
NET TYPE									7
NET ACCESS DELAY TIME (SEC)									1.0
GUN KEY TIME (SEC)									1.4
BLOCK MODE SELECTION									SINGLE
NET BUSY SENSE OVERRIDE									OFF
NETWORK PROTOCOL									AFCS
BAUD RATE									1200
MODULATION									1300/2100
WIRE/RADIO LINK									WIRE
SELECT			USE ALL				CANCEL		

06pc161t

USE ALL = Will display TACFIRE/FSK menu

CANCEL = Return to SETUP AND INFORMATION menu

- (3) GUN KEY TIME - Used for selecting assigned transmit delay time. This stabilizes the communications link and allows the radio to reach full transmit power before the digital data message is sent. When GUN KEY TIME is selected from the NET ACCESS menu, a NET ACCESS-GUN KEY TIME menu will be displayed. Box in proper time. Press SELECT key. This will enter data into AFCS and return to NET ACCESS menu (new GUN KEY TIME will be shown).

NORMAL					NA	W			
NET ACCESS-GUN KEY TIME									
0.2 SECONDS					0.7 SECONDS				
1.4 SECONDS					2.1 SECONDS				
2.8 SECONDS					4.0 SECONDS				
SELECT					CANCEL				

06pc096m

2-12 AFCS INITIALIZATION - CONTINUED

2-12.2 Initializing - Continued

- (4) **BLOCK MODE SELECTION** - Used for selection of single-block or double-block mode transmission of each data block. The double-block transmission provides for each data block to be transmitted twice. When **BLOCK MODE SELECTION** is selected, the **NET ACCESS** menu will appear with present block mode boxed in. After proper selection is made, the entire **NET ACCESS** display will be shown. New data will be shown in proper field. (Other data will remain unchanged.) Double-block mode will be used when requested by Platoon Operations Center (POC).

NORMAL					NA	W			
NET ACCESS									
NET TYPE	7								
NET ACCESS DELAY TIME (SEC)	1.0								
GUN KEY TIME (SEC)	1.4								
BLOCK MODE SELECTION	SINGLE								
NET BUSY SENSE OVERRIDE	OFF								
NETWORK PROTOCOL	AFCS								
BAUD RATE	1200								
MODULATION	1300/2100								
WIRE/RADIO LINK	WIRE								
SELECT		USE ALL							

06pc162t

- 1 Enter (SINGLE, DOUBLE)

- (5) **NET BUSY SENSE OVERRIDE** - Meant to be used to force a message through when communication net is degraded or jammed (message traffic or noise is sensed by communications processor). Selecting Net Busy Sense Override (ON) when other subscribers are transmitting can cause message errors in radio traffic, and denies other subscribers net access. Consult unit SOP for proper use of **NET BUSY SENSE OVERRIDE**. Box in **NET BUSY SENSE OVERRIDE** and press **SELECT** key. A **NET ACCESS** menu will be displayed showing present status boxed in. After proper selection, YES or NO, is made, new data will be in proper field on EL Panel. (Other data will remain unchanged.)

NORMAL					NA	W			
NET ACCESS									
NET TYPE	7								
NET ACCESS DELAY TIME (SEC)	1.0								
GUN KEY TIME (SEC)	1.4								
BLOCK MODE SELECTION	DOUBLE								
NET BUSY SENSE OVERRIDE	OFF								
NETWORK PROTOCOL	AFCS								
BAUD RATE	1200								
MODULATION	1300/2100								
WIRE/RADIO LINK	WIRE								
CHANGE TO DOUBLE			YES			NO			

06pc163t

- 1 Enter (SINGLE, DOUBLE)

NOTE

ENTERING NET ACCESS TO SYSTEM - To enter this data in the AFCS, check that all data has been corrected or changed as required per local SOP. Press **USE ALL** key. Data is now in AFCS system and **NET ACCESS** has been initialized. **NET ADDRESS** menu will be displayed.

2-12 AFCS INITIALIZATION - CONTINUED

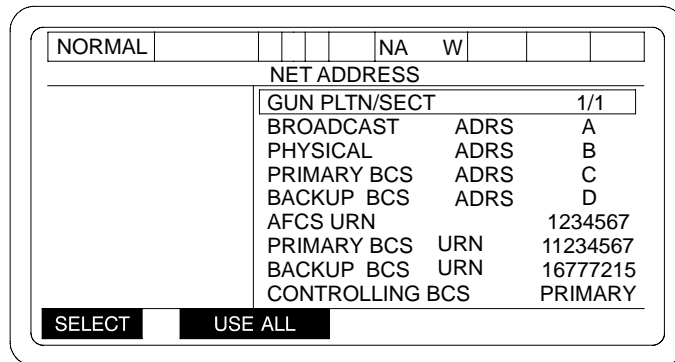
2-12.2 Initializing - Continued

DELETED

2-12 AFCS INITIALIZATION - CONTINUED

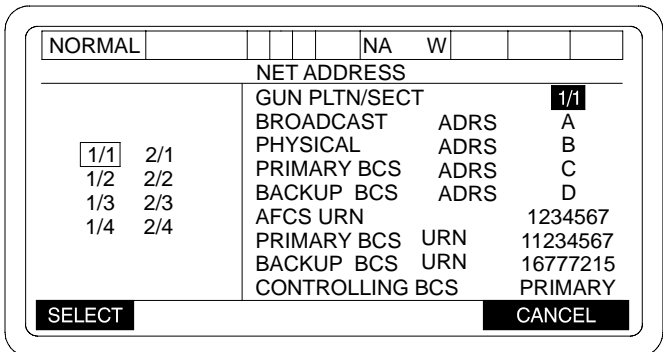
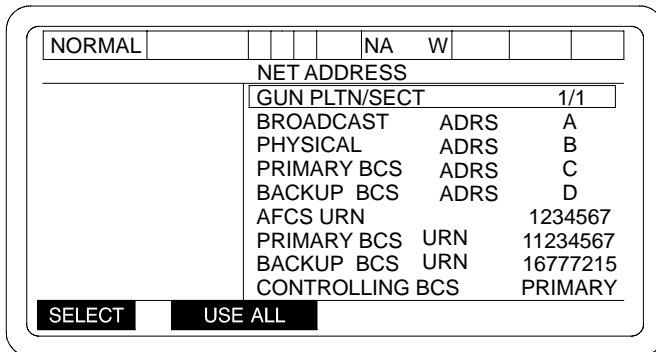
2-12.2 Initializing - Continued

- c. Net Address. NET ADDRESS is used to name radio subscribers and must be initialized. The NET ADDRESS menu will appear on the EL Panel after data for NET ACCESS is stored. If all data displayed is correct according to the unit SOP, press USE ALL key to initialize the NET ADDRESS. If data must be updated or changed, proceed as follows.



06pc165t

- (1) GUN PLTN/SECT - Selection of GUN PLTN/SEC from the NET ADDRESS menu will bring up a NET ADDRESS menu with Gun Platoon/Section choices displayed. Present GUN PLTN/SECT will be highlighted. Change selection by boxing in individual GUN PLTN/SECT. Press SELECT key to enter new GUN PLTN/ SECT into the AFCS.



06pc166t

2-12 AFCS INITIALIZATION - CONTINUED

2-12.2 Initializing - Continued

- (2) BROADCAST ADDRESS - Selecting BROADCAST ADRS on NET ADDRESS menu will display the NET ADDRESS menu. The present status of the Broadcast Address will be highlighted and a table of addresses will appear on the left side of menu. Selecting letters from table on left side of display will delete them. Selected letters will now appear on right side of display. This will prevent selecting the same letter twice, which would cause communication errors. A letter is selected by boxing in selection and pressing SELECT key.
- (3) PHYSICAL ADRS- Address used for Special Missions i.e. (Sensor to Shooter) - These fields are initialized in the same manner as the BROADCAST ADRS.
- (4) PRIMARY BCS ADRS, and BACKUP BCS ADRS - These fields are initialized in the same manner as the BROADCAST ADRS.

NOTE

The backup BCS Address will only be displayed if the primary BCS provided an address in the subscriber file message.

NORMAL					NA	W		
NET ADDRESS								
E	F	G				1/1		
H	I	J	K	L	M	N	BROADCAST	ADRS A
O	P	Q	R	S	T	U	PHYSICAL	ADRS B
V	W	X	Y	Z	0	1	PRIMARY BCS	ADRS C
2	3	4	5	6	7	8	BACKUP BCS	ADRS D
							AFCS URN	1234567
9	#	&	*	+	-	.	PRIMARY BCS	URN 11234567
?							BACKUP BCS	URN 16777215
							CONTROLLING BCS	PRIMARY
SELECT				CANCEL				

06pc167t

2-12 AFCS INITIALIZATION - CONTINUED

2-12.2 Initializing - Continued

- (5) AFCS URN, PRIMARY BCS URN and BACKUP BCS URN - These fields are initialized by entering the same data from the communication parameter card. If any URN value is duplicated a "WARNING" will be displayed.

NET ADDRESS			
	GUN PLTN/SECT		1/1
	BROADCAST	ADRS	A
	PHYSICAL	ADRS	B
	PRIMARY BCS	ADRS	C
	BACKUP BCS	ADRS	D
TYPE URN VALUE 0 TO 16777215 PRESS ENT KEY	AFCS URN		1234567
	PRIMARY BCS	URN	11234567
	BACKUP BCS	URN	16777215
	CONTROLLING BCS		PRIMARY

06pc168t

- (6) CONTROLLING BCS - When this is boxed in and the SELECT key is pressed, the menu will ask if the controlling BCS is to be either backup or primary. By pressing the YES key, the controlling BCS will be assigned the opposite of shown state.

NORMAL				NA	W	
NET ADDRESS						
	GUN PLTN/SECT				1/1	
	BROADCAST	ADRS			A	
	PHYSICAL	ADRS			B	
	PRIMARY BCS	ADRS			C	
	BACKUP BCS	ADRS			D	
	AFCS URN				1234567	
	PRIMARY BCS	URN			11234567	
	BACKUP BCS	URN			16777215	
	CONTROLLING BCS				PRIMARY	
CHANGE TO BACKUP ?						
			YES	NO		

06pc169t

NOTE

Controlling BCS will not be selectable if no backup BCS address is sent by the POC.

2-12 AFCS INITIALIZATION - CONTINUED

2-12.2 Initializing - Continued

- (7) Net Address. NET ADDRESS for 188-220A NETWORK PROTOCOL is used to name subscribers. The NET ADDRESS menu will appear on the EL Panel after data for NET ACCESS is stored. If all data displayed is correct according to the unit SOP, press USE ALL key to initialize the NET ADDRESS. If data must be updated or changed, proceed as follows:

NET ADDRESS	
GUN PLTN/SECT	1/1
AFCS URN	52
PRIMARY BCS URN	1234567
BACKUP BCS URN	143
AFCS IP	129.139. 72. 42
PRIMARY BCS IP	129.139. 72. 22
BACKUP BCS IP	129.139. 72. 52
CONTROLLING BCS	PRIMARY

SELECT USE ALL

06pc170t

- (8) GUN PLTN/SECT - Selection of GUN PLTN/SEC from the NET ADDRESS menu will bring up a NET ADDRESS menu with Gun Platoon/Section choices displayed. Change selection by boxing in individual GUN PLTN/SECT. Press SELECT key to enter new GUN PLTN/SECT into the AFCS.

NET ADDRESS - GUN PLTN/SECT	
1/1	2/1
1/2	2/2
1/3	2/3
1/4	2/4

SELECT CANCEL

06pc171t

2-12 AFCS INITIALIZATION - CONTINUED

2-12.2 Initializing - Continued

NORMAL					NA	W		
NET ADDRESS								
GUN PLTN/SECT								1/1
AFCS URN								52
PRIMARY BCS URN								1234567
BACKUP BCS URN								1234567
AFCS IP	129	.	139	.	72	.	42	
PRIMARY BCS IP	129	.	139	.	72	.	42	
BACKUP BCS IP	129	.	139	.	72	.	52	
CONTROLLING BCS								PRIMARY

①

IP ADDR 1
 IP ADDR 2
 IP ADDR 3
 IP ADDR 4

① **DUPLICATE IP ADDRESS** **ACK**

Appears if any IP address is duplicated.

NORMAL					NA	W		
NET ADDRESS								
GUN PLTN/SECT								1/1
AFCS URN								52
PRIMARY BCS URN								1234567
BACKUP BCS URN								1234567
AFCS IP	129	.	139	.	72	.	42	
PRIMARY BCS IP	129	.	139	.	72	.	22	
BACKUP BCS IP	129	.	139	.	72	.	52	
CONTROLLING BCS								PRIMARY

①

① **DUPLICATE URN** **ACK**

Appears if any URN address is duplicated.

06pc172ta

AFCS URN, PRIMARY BCS URN and BACKUP BCS URN - These fields are initialized in the same manner. If any URN value is duplicated a "WARNING" will be displayed.

- (1) AFCS IP ADDRESS - Can be up to 11 digits in four Groups. Once all data has been entered press the FINISHED key.
- (2) PRIMARY BCS IP and BACKUP BCS IP ADDRESS will be changed to match the first and second Group entered in the AFCS IP ADDRESS.
- (3) Third and fourth digits can be entered in the same manner as entered in the AFCS IP ADDRESS.

2-12 AFCS INITIALIZATION - CONTINUED

2-12.2 Initializing - Continued

- (9) CONTROLLING BCS - When this is boxed in and the SELECT key is pressed, the menu will ask if the controlling BCS is to be either backup or primary. By pressing the YES key, the controlling BCS will be assigned the opposite of shown state.

NORMAL					NA	W			
NET ADDRESS									
GUN PLTN/SECT									1/1
AFCS URN									52
PRIMARY BCS URN									1234567
BACKUP BCS URN									143
AFCS IP					129 . 139 . 72 .				42
PRIMARY BCS IP					129 . 139 . 72 .				22
BACKUP BCS IP					129 . 139 . 72 .				52
CONTROLLING BCS									PRIMARY

①

06pc174t

- ① Appears if AFCS IP Address has been changed 27 times WITHOUT REBOOTING.

Commo will FAIL and raise the following TWO alerts.

①	SHUTDOWN TO RE-ENABLE COMMO	ACK
①	COMMO OUT	ACK

06pc175t

Each alert must be acknowledged.

To RE-ENABLE COMMO, AFCS ACU must be POWERED DOWN and then POWERED UP.

NOTE

ENTERING NET ADDRESS TO SYSTEM - To enter this data in the AFCS, check that all data has been corrected or changed as required per local SOP. Press USE ALL key. Data is now in AFCS system and NET ADDRESS has been initialized. The SETUP AND INFORMATION menu will be displayed.

2-12 AFCS INITIALIZATION - CONTINUED

2-12.2 Initializing - Continued

- d. Other Initialization Steps. When NET ACCESS and NET ADDRESS have both been initialized, a SETUP AND INFORMATION menu will be displayed. There are two pages to this menu. By pressing NEXT PAGE key, second page will be displayed.

NOTE

- Items marked with an * must be entered to complete initialization process. Without these data entries, the system will not be completely initialized and the AFCS will not be able to receive a mission.
- The NAV UPDATE selection will be blank when a command has been sent to the navigation subsystem and has not yet been completed.
- When in a degraded mode, some items may not appear.

NORMAL						NA	W		
SETUP AND INFORMATION									
* SET DATE/TIME	* TOT RESPONSE								
* BCS DATA XFER	* LOAD ELEVATION								
* ENTER MAP/DATUM	* SECTOR OF FIRE								
* NAV UPDATE	RECEIVED MSG								
* AMMO INVENTORY	WARNING MSG								
* PROP TEMP	MAX TUBE EL								
* MVV ROUNDS	SITE DATA								
	SEND CHECKFIRE								
SELECT		NEXT PAGE							

NORMAL						NA	W		
SETUP AND INFORMATION									
TUBE TEMPERATURE					STORED TARGETS				
NET ACCESS					AFCS STATUS				
NET ADDRESS					DISPLAY FORMAT				
MUZZLE VELOCITY					DISPLAY INTENSITY				
SYSTEM RESTART					MANUAL MOVE ORD				
					GPS CONTROL				
					LAST FIRING DATA				
SELECT		*NEXT PAGE							

06pc176t

2-12 AFCS INITIALIZATION - CONTINUED

2-12.2 Initializing - Continued

Steps of other initialization data entry are done as follows:

- (1) SET DATE/TIME Group - This data is required for proper communications and is used for TOT data and other time related tasks and missions. From SETUP AND INFORMATION menu, box in SET DATE/TIME. Press SELECT key. This will cause a SET DATE/TIME Group menu to be displayed. If GPS data is available select "USE GPS". Note, GPS Time is ZULU (Greenwich Mean Time) when "USE GPS" selected, all times will be aligned to ZULU (Local ZULU and GPS). If GPS data is not available or if POC has instructed you not to use GPS proceed as follows:
 - (a) Enter two digits each for Year, Month, Date, Hour and Minute into boxed-in area.
 - (b) If a mistake is made prior to typing in all ten digits, press CLR key and try again. If all ten digits have been typed in, then menu will automatically show a SET DATE/TIME GROUP display with prompt.
 - (c) If incorrect data has been typed in after all 10 digits have been entered, press CANCEL key. This will return display to SET DATE/TIME menu. Then proceed with reentering correct data for Date/Time Group.
 - (d) To ensure proper time synchronization between the AFCS and POC/BCS, a countdown to MARK should be controlled by the POC. If data is correct when MARK is announced by POC, press MARK key to start the clock. This will return the display to the SETUP AND INFORMATION menu.
 - (e) Date/Time setting on system - Defaults to system clock if no other input is entered in. BCS and the AFCS messages will be rejected if more than 60 minutes difference between BCS time and AFCS time has elapsed. Unit SOP needs to be in real Date/Time.

PRESENT ONLY IF GPS IS AVAILABLE

CURSOR DEFAULT POSITION

06pc177t

NOTE

Upon entering the Current DTG, Current Zulu, and Current GPS time, if available, shall be displayed to the operator. Operator must enter Time Zone, Daylight Savings and NEW DTG. The first time the AFCS-XXI program is executed the Zulu and Local time will be calculated from the hardware clock.

2-12 AFCS INITIALIZATION - CONTINUED

2-12.2 Initializing - Continued

SELECT TIME ZONE - ENTER SELECT TIME ZONE IN ACCORDANCE WITH UNIT SOP.

NORMAL [] [] [] [] [] NA W [] [] [] []

SELECT TIME ZONE

A	B	C	D	E	F	G
H	I	K	L	M	N	O
P	Q	R	S	T	U	V
W	X	Y	Z			

SELECT CANCEL

06pc178t

SELECT DAYLIGHT SAVINGS - ENTER SELECT DAYLIGHT SAVINGS TIME IN ACCORDANCE WITH UNIT SOP.

NORMAL [] [] [] [] [] NA W [] [] [] []

SELECT DAYLIGHT SAVINGS

STANDARD

1/2 HR AHEAD
1 HR AHEAD
2 HRS AHEAD

SELECT CANCEL

06pc179t

2-12 AFCS INITIALIZATION - CONTINUED

2-12.2 Initializing - Continued

NORMAL					NA	W			
SET LOCAL TIME									
ZULU	TIME	IS	99:02:05:1230						
LOCAL	TIME	IS	99:02:05:1230						
GPS	TIME	IS	99:02:05:1230						
TIME ZONE		Z							
DAYLIGHT SAVINGS		STANDARD							
SET LOCAL TIME		_: _: _: _:							

Notes:

06pc180t

1

TYPE IN NEW DTG - YY:MM:HHMM

= Shall appear below the SET LOCAL TIME row upon entry to display above menu. Operator must enter date in format displayed (YY:MM:DD:HHMM). Operator may press CLEAR any time to reset entry.

PRESS MARK TO SET LOCAL TIME

= Shall appear below the SET LOCAL TIME row upon entry of the last digit of the minute.

2

MARK

= The MARK key shall be displayed upon entry of the last digit of the minute. When the MARK key is pressed the Local Time shall be processed and returned to the SETUP AND INFORMATION menu.

INVALID DTG VALUE

ACK

= If an invalid DGT is entered, this error shall be displayed to the operator. Press "ACK" and re-enter the date and time.

3

CANCEL

= When PRESS MARK TO SET LOCAL TIME is displayed and the CANCEL key is pressed the SET LOCAL TIME entries shall be cleared and the operator shall be able to enter a new LOCAL TIME.

= When the CANCEL key is pressed under all other conditions to display the SETUP AND INFORMATION menu will be displayed.

Date/Time setting on System - Defaults to system clock if no other Input is recorded in BCS and AFCS. Messages will reject if more than 60 minutes has elapsed. Unit SOP needs to be in real Date/Time.

2-12 AFCS INITIALIZATION - CONTINUED

2-12.2 Initializing - Continued

NOTE

The BCS data transfer must be done each time you initialize the AFCS, if the FDC/BCS is operational.

- (2) BCS DATA XFER - To get initialization data from the POC/BCS, box in BCS DATA XFER and then press SELECT key. This will cause a BCS DATA XFER menu to be displayed with INITIALIZATION already boxed and Operator Alert. Pressing YES key will send a request to POC/BCS for needed data. Data includes: Subscriber File Message, Map Modification Input Message, Computer Meteorological Message, and Registration Data Input Message. This ensures that operator can properly communicate with other subscribers and can compute fire mission accurately. If NO ACK REQ INIT is displayed, contact POC to ensure that proper initialization has taken place. Repeat procedure if required. When initialization is complete, press CANCEL key.

If BCS DATA XFER does not have an *, then pressing the SELECT key will cause a BCS DATA XFER menu to be displayed without INITIALIZATION boxed. Box in INITIALIZATION and press SELECT key to provide the Operator Alert. Pressing YES sends the request to POC/BCS as described above.

NORMAL					NA W		
SETUP AND INFORMATION							
* SET DATE/TIME					* TOT RESPONSE		
* BCS DATA XFER					* LOAD ELEVATION		
* ENTER MAP/DATUM					* SECTOR OF FIRE		
* NAV UPDATE					RECEIVED MSG		
* AMMO INVENTORY					WARNING MSG		
* PROP TEMP					MAX TUBE EL		
* MVV ROUNDS					SITE DATA		
					SEND CHECKFIRE		
SELECT				NEXT PAGE			

NORMAL							
BCS DATA TRANSFER							
SEND				GET			
PIECE STATUS					INITIALIZATION		
AMMO ON HAND					MOVE ORDERS		
AMMO RECEIVED					MUZZLE VELOCITY		
AMMO EXPENDED					PIECE STATUS		
SITE DATA					SITE DATA		
MUZZLE VELOCITY					AMMO STATUS		
ARE YOU SURE?				YES		NO	

06pc415ma

2-12 AFCS INITIALIZATION - CONTINUED

2-12.2 Initializing - Continued

- (3) ENTER MAP and DATUM -The BCS DATA XFER, INITIALIZATION data includes a MAP MOD and SPHEROID, and map DATUM.

NOTE 1 → SPHEROID

NOTE 2 → DATUM

NOTE 3 → GPS OFFSET

NOTE 4 → SPHEROID MAJ

NOTE 5 → SELECT USE ALL CANCEL

①

06pc181t

Check to see if all the data is correct. If it is correct, press the USE ALL key, and proceed with the initialization. If an entry is not correct, select that field and make corrections.

- NOTE 1 SELECTION OF THIS FIELD WILL DISPLAY SELECT SPHEROID MENU.
- NOTE 2 SELECTION OF THIS FIELD WILL DISPLAY SELECT DATUM MENU.
- NOTE 3 FIELD IS ONLY PRESENT IF USER DEFINED (USRDEF) DATUM IS USED. NOT MODIFIABLE.
- NOTE 4 FIELD IS ONLY PRESENT IF USER DEFINED (USRDEF) SPHEROID IS USED. NOT MODIFIABLE.
- NOTE 5 HEMISPHERE FIELD SELECTED THE FOLLOWING WILL BE DISPLAYED.

CHANGE HEMISPHERE? YES NO

WHEN ANY OTHER FIELD IS SELECTED THE FOLLOWING WILL BE DISPLAYED.

CANCEL

- ① OPERATOR PROMPT AREA FOR LEGAL VALUES

2-12 AFCS INITIALIZATION - CONTINUED

2-12.2 Initializing - Continued

Listed below are the legal values for each field of the MAP/DATUM entry Display:

When SPHEROID is selected:

SPHEROID selected will define DATUMs available.
Type 1 . . 9 or A . . I and USRDEF
Press ENT key

When SW EASTING is selected:

EASTING value of SW Corner Of Howitzer Operational Area.
Type 0 to 999999:
Press ENT key.

When SW NORTHING is selected:

NORTHING value of SW Corner of Howitzer Operational Area.
Type 0 to 11000000:
Press ENT key.

When HEMISPHERE is selected:

Select NORTH for above the Equator, SOUTH for below.
CHANGE HEMISPHERE YES NO
Press YES or NO key.

When GRD ZONE is selected:

UTM GRID ZONE of Howitzer Operational Area.
Type 0 to 60:
Press ENT key.

When NE EASTING is selected:

EASTING value of NE Corner Of Howitzer Operational Area.
Type 1 to 999999:
Press ENT key.

When NE NORTHING is selected:

NORTHING value of NE Corner Of Howitzer Operational Area.
Type 0 to 11000000:
Press ENT key.

When GPS OFFSET is selected:

Type -2000.0 to + 2000.0:
Press ENT key.

2-12 AFCS INITIALIZATION - CONTINUED

2-12.2 Initializing - Continued

NORMAL				NA	W			
SELECT SPHEROID								
<input type="checkbox"/> 1	2	3	4	5				
6	7	8	9	A				
B	C	D	E	F				
G	H	I	USRDEF					
SELECT				CANCEL				

06pc182t

Enter the defined SPHEROID, PRESS the SELECT SOFT KEY and the SELECT DATUM menu will be displayed. Refer to Tables in Appendix J for SPHEROID listings.

SOFT KEY SEQUENCING SHALL BE AS FOLLOWS:

1. If USRDEF is boxed in and SELECTED then the ENTER USER DEFINED SPHEROID SEMI-MAJOR AXIS menu will be displayed.
2. If any other SPHEROID is SELECTED then the SELECT DATUM menu will be displayed to force SELECTION of the DATUM.
3. If CANCEL, then the MAP DATUM ENTRY menu will be displayed.

Maps are based upon a "reference datum." This is really the model of the Earth that the cartographer uses when making a map. The reference datum consists of two parts, the spheroids and the datum offsets.

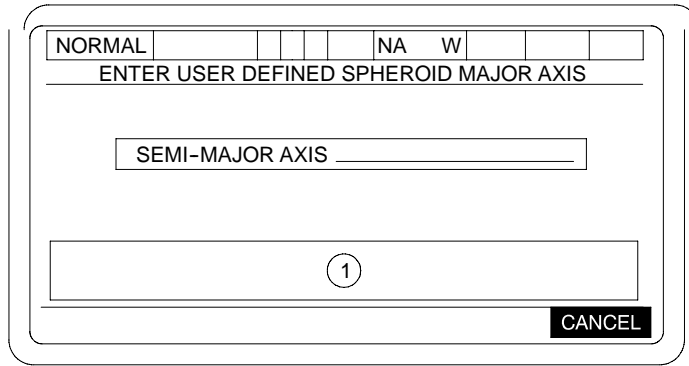
The Earth is really not a perfectly round globe but is a little "fatter" at the equator. Therefore, the mapmaker uses a spheroid rather than a globe to describe the Earth's shape. Instead of just using one radius as one would do to describe a globe, two values are used. The first is the semi-major axis. It is the radius of the Earth at the equator. The second number is the semi-minor axis. It is the distance from the center of the Earth to the poles. It is slightly smaller than the semi-major axis. (The WGS 84 model of the Earth uses a semi-major axis of 6,378,137 meters and 6,356,752 meters for the semi-minor axis).

The cartographer may choose to base his model of the Earth's surface using a center point that is different from the true center of the Earth. This offset of the center point is described by three "datum offset" values: delta X, delta Y and delta Z. These values are typically a few hundred meters.

There are many standard spheroid and datums commonly used for maps. If the mapmod is not supplied by a message from BCS, the AFCS operator will be told to select a certain spheroid and datum at the display unit. The starting point for entering this data is the MAP/DATUM ENTRY display.

The spheroid is selected using the SELECT SPHEROID sub-display. This display lists choices 1 to 9 and A to I. It is possible to use spheroid values different from the ones in the display lists. The different values are entered as "user defined." This is selected by the USRDEF option listed as a choice for a spheroid. If the operator selects USRDEF, other sub-displays prompt him to enter the semi-major and semi-minor axes. These values must be obtained from the POC and should only be used with guidance from Battery Commander.

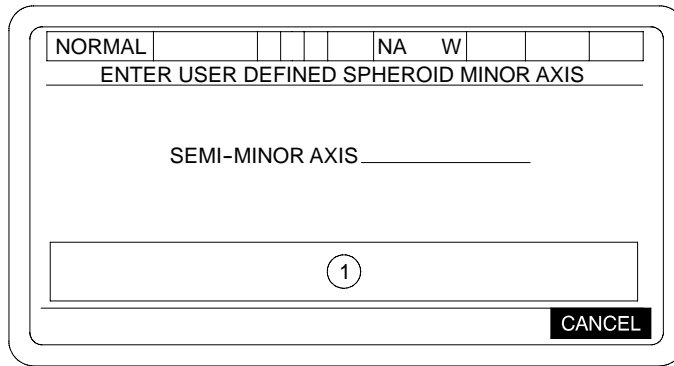
2-12.2 Initializing - Continued



06pc185t

① TYPE VALUE
 BETWEEN 6376137.00 AND 6380137.00
 -PRESS ENT KEY-

1. Any un-edited DATA fields remain at their current values when ENT key is pressed.
2. Soft key sequencing shall be as follows:
 - If **CANCEL**, then the SELECT SPHEROID menu will be displayed.
 - If **ENTER**, then ENTER USER DEFINED SPHEROID SEMI-MAJOR AXIS menu will be displayed.



06pc186t

① DISPLAYS ALLOWABLE RANGE FOR SEMI-MINOR AXIS.

1. Any un-edited DATA fields remain at their current values when ENT key is pressed.
2. Soft key sequencing shall be as follows:
 - If **CANCEL**, then the ENTER USER DEFINED SPHEROID MAJOR AXIS menu will be displayed.
 - If **USE ALL**, then the CONFIRM USER DEFINED SPHEROID AXIS menu will be displayed.
 - If **ENTER**, then the CONFIRM USER DEFINED SPHEROID AXIS menu will be displayed.

2-12 AFCS INITIALIZATION - CONTINUED

2-12.2 Initializing - Continued

06pc187t

Soft key sequencing shall be as follows:

If **CANCEL**, then ENTER USER DEFINED SPHERIOD MINOR AXIS menu will be displayed.

If **USE ALL**, then the SELECT DATUM menu will be displayed.

After all the correct data has been entered, press the USE ALL key to clear * and return to the main menu.

The datum offset is selected using the SELECT DATUM sub-display. This display lists valid choices listed by an alphabetic code. It is possible to use datum offset values different from the ones in the display lists. The different values are entered as "user defined." This is selected by the USRDEF option listed as a choice for a datum offset. The datum offset values are entered using the ENTER USER DATUM PARAMETERS sub-display. (For historical reasons, the offset values are listed as GPS OFFSET X, Y and Z.)

2-12 AFCS INITIALIZATION - CONTINUED

2-12.2 Initializing - Continued

There have been many different Local DATUMS developed. GPS computes position on the World Geodetic System 1984 (WGS 84), a worldwide coordinate system. To use GPS with coordinates on a Local DATUM, the coordinates must be mathematically shifted. The AFCS (DRUH and PLGR) can automatically perform DATUM shifting, but first the operator must select the Local DATUM to be used, or provide the appropriate shift parameters. For AFCS operation, Local DATUMS are represented by two sets of parameters: the Local Ellipsoid (SPHEROID) and shift parameters as defined for each Local DATUM (DATUM IDs).

The BCS can provide the SPHEROID via the MAP MOD. The SPHEROID selected will determine which DATUM IDs will be available for selection. The AFCS/BCS SPHEROID and DATUM TABLE provides the SPHEROID number for the AFCS and BCS, which DATUM IDs that are available for that SPHEROID number and the normal coverage area. Note that there may be more than one DATUM ID associated with a Local DATUM because the shifts vary by locality. For other DATUMS or areas outside the indicated coverage area, User Defined (USRDEF) Datum shifts may be entered manually. The table is not intended as an absolute. A map sheet will identify the DATUM name, Ellipsoid (SPHEROID) name and the coordinate type, or the map sheet will identify the area. The data from a Trig list should identify the same information. These parameters must be correlated to the DATUM ID. If the applicable DATUM hasn't been programmed in the AFCS, shift parameters for many other DATUMS and regions have been published in DMA TR 8350.2 and may be entered thru the GPS X, Y and Z OFFSETS. Note that the AFCS can not accept shift parameters for all DATUMS because its SPHEROID capability is limited to those listed in the AFCS/BCS Table (Appendix J).

If the DATUM USRDEF is selected, then the GPS X, Y and Z offsets must be entered. These values must be obtained from the POC and should only be used with guidance from Battery Commander.

The ENTER USER DATUM PARAMETERS page should look like:

06pc113m

When GPS OFFSET X is selected:
 Type -2000.0 to +2000.0
 Press ENT key.

When GPS OFFSET Y is selected:
 Type -2000.0 to +2000.0

When GPS OFFSET is selected:
 Type -2000.0 to +2000.0

2-12 AFCS INITIALIZATION - CONTINUED

2-12.2 Initializing - Continued

06pc184t

- 1 When any field selected:
 TYPE OFFSET
 BETWEEN -2000.0 AND +2000.0
 -PRESS ENT KEY-
- 2 When field selected: + / -
 Otherwise: USE ALL
- 3 When no fields are selected: SELECT
 Otherwise: BLANK

NOTE

- Any un-edited DATA fields remain at their current values when USEALL KEY is pressed.
- SOFT KEY sequencing shall be as follows:

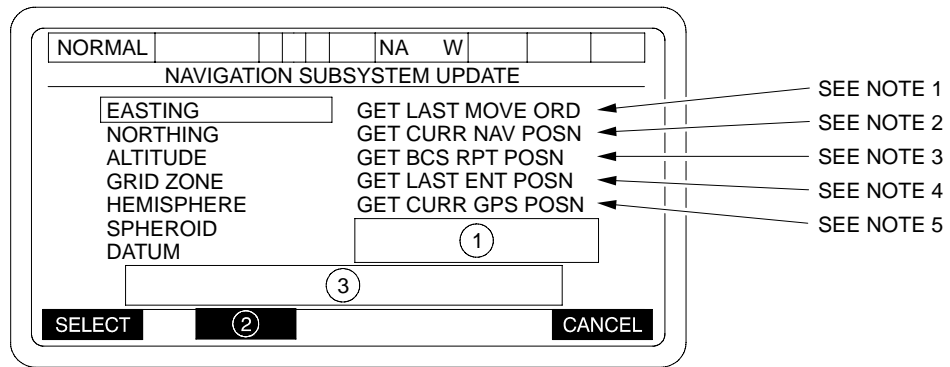
If CANCEL , then the SELECT DATUM menu will be displayed.

If USE ALL , then the ENTER MAP/DATUM menu will be displayed.

2-12 AFCS INITIALIZATION - CONTINUED

2-12.2 Initializing - Continued

- (4) NAV UPDATE - Navigation Subsystem Update is performed as follows:
 - (a) With the Gun Tube in Travel Lock, park the howitzer at a known Survey Control Point (SCP) with the left sprocket within one meter of SCP.
 - (b) Box in *NAV UPDATE and press the SELECT soft key. This will bring up the NAVIGATION SUBSYSTEM UPDATE menu.



06pc188t

NOTE

The datum to be used is selected from the SETUP AND INFORMATION menu (Enter MAP/DATUM menu)

- ① This field contains OPERATOR PROMPTS and selections which depend on the current status of the NAVIGATION SUBSYSTEM
- ② When ALTITUDE SELECTED - **+/-** otherwise - **USE ALL**
- ③ This field contains OPERATOR PROMPTS for updating the values of: EASTING, NORTHING, ALTITUDE, and GRID ZONE:

When EASTING is selected:
Type EASTING 0 to 999999
Press ENT key

When NORTHING is selected:
Type NORTHING 0 to 10000000
Press ENT key

When ALTITUDE is selected:
Type ALTITUDE -1,000 to 10,000
Press ENT key

When GRID ZONE is selected:
Type GRID ZONE 1 to 60
Press ENT key

HEMISPHERE = NORTH or SOUTH
SPHEROID = 1 . . 9 and A . . I and USRDEF (not modifiable by operator)
DATUM = See Table in Appendix J (not modifiable by operator on this display)

2-12 AFCS INITIALIZATION - CONTINUED

2-12.2 Initializing - Continued

NOTE 1: Blank if no Move Order occurred since the last power up of the AFCS.

NOTE 2: Blank when Navigation Subsystem is not available.

NOTE 3: Available if position data has been sent from the BCS. Selection disappears when AFCS operator performs Nav Update or Move Order.

NOTE 4: Last coordinates on which position update was performed. Blank if operator has pressed the ARRIVED key at a position area since the last position update.

NOTE 5: Field is blank when the following conditions exist:

- a. Navigation subsystem functionality not currently available.
- b. GPS position data not currently available from the Navigation subsystem.
- c. The GPS position data currently available has an estimated probable error greater than the navigation devices' "poor GPS data limit".

If the available GPS data has an estimated probable error greater than the Navigation device "Good GPS data limit", but less than or equal to the navigation device "Poor GPS data limit" when this menu item is selected, then the following alert will be placed on the soft key line:

USE DGRD GPS DATA? YES NO

If the YES soft key is pressed, then the available GPS data shall be used to update the listing, Northing, and Altitude fields on the menu. If the NO soft key is pressed, then the Easting, Northing, and Altitude fields on the menu will not be updated with the available GPS data.

NOTE

Use in accordance with unit SOP.

- (c) **RESTART REQUIRED** - This prompt will appear in field (1). With the gun tube in travel lock, the Howitzer must be positioned at a Survey Control Point (SCP) with the left front sprocket within one meter on the SCP. No selection of RESTART REQUIRED is required, it will happen automatically and a full alignment will be performed. Enter the SCP data of EASTING, NORTHING ALTITUDE and GRID ZONE. When all data is entered, double check the SCP coordinates and MAP/DATUM SPHEROID, DATUM, and HEMISPHERE displayed on the screen. If it is not correct, make any correction. If it is correct, press the USE ALL soft key. The following prompt will be displayed:

"NAV POSITION UPDATE ABOUT TO START" "ARE YOU SURE" "YES" "NO"

Press the "YES" soft key, and the Navigation Position Update will be started. The SETUP AND INFORMATION menu will appear. The prompt "CMD" will appear in field (6), and then be replaced by the Align Time to Go countdown. Proceed with the rest of Initialization.

- (d) **NAV POSITION UPDATE** - If this prompt is displayed in field (1), then only a Navigation Subsystem Position Update is required. With the gun tube in travel lock, the Howitzer must be positioned at a Survey Control Point (SCP), with the left front sprocket within one meter of the SCP. Enter the SCP data of EASTING, NORTHING and ALTITUDE. When all data is entered, double check the SCP coordinates and MAP/DATUM SPHEROID, DATUM, GRID ZONE and HEMISPHERE displayed on the screen. If it is not correct, make any correction. If it is correct, press the USE ALL soft key. The following prompt will be displayed:

"NAV POSITION UPDATE ABOUT TO START" "ARE YOU SURE" "YES" "NO"

Press the "YES" soft key, and the Navigation Position Update will be started. The SETUP AND INFORMATION menu will appear. The prompt "CMD" will appear in field (6), and then be replaced by the Align Time to Go countdown. Proceed with the rest of Initialization.

2-12 AFCS INITIALIZATION - CONTINUED

2-12.2 Initializing - Continued

- (e) NAV RESTART - If the prompt NAV POSITION UPDATE is highlighted and selected, a message prompt "CHANGE TO RESTART" "YES" "NO" will appear. Press the "YES" soft key. "FORCE NAV RESTART" will appear. Press "USE ALL" then press the "YES" soft key to "ARE YOU SURE" prompt, the SETUP AND INFORMATION menu will be displayed and CMD will be displayed in field (6). This will be replaced with the Align Time to Go count down timer. The Navigation Subsystem aligns itself automatically.

NOTE

The Navigation Subsystem has 3 modes of alignment; Stored Heading Alignment, Normal Alignment and Dynamic Alignment.

- (1) Stored Heading Alignment - Will occur only if the previous AFCS shutdown was orderly and the Howitzer or Turret has not moved since the last shutdown. This Alignment will take a maximum of 90 seconds, and will start as soon as the power is applied to the Navigation Subsystem. A NAV UPDATE is still required. But since the Howitzer has not moved since the last shutdown, all the NAV UPDATE data should be correct and only pressing the USE ALL soft key is required. If the Howitzer has been moved since the last shutdown, or the last shutdown was abnormal, or the Howitzer was moving during the last shutdown procedure, the Stored Heading Alignment will automatically be rejected and after a NAV UPDATE is performed the Navigation Subsystem will automatically perform a Normal Align.
- (2) Normal Alignment - Will occur when ever a Stored Heading Alignment can not be performed. This alignment will take a maximum of 15 minutes (900 seconds). After the NAV UPDATE is performed and accepted, the Normal Alignment will automatically start, and the Align Time to Go counter will start counting down to 0. During the countdown, a message "OK TO MOVE OR SHOOT" "ACK" may appear before the countdown reaches 0. This means the Navigation Subsystem estimated Azimuth Error is within the bounds that are safe to move or shoot. At this point, a Move Order or Fire Missions may be performed. If the PLGR data is valid (i.e. the "A" is gone) the Align Time to Go counter will continue to countdown while the Howitzer is moving. If the PLGR is not valid (i.e. "A" is on), the timer will stop counting during movement and ZUPTs will be requested.
- (3) Dynamic Alignment - A Dynamic Alignment is nothing more than a moving Normal Alignment, but the following conditions must be met: The PLGR must have data (i.e. the "A" is gone) and a NAV UPDATE must have been performed prior to movement. If these conditions are true, then the Howitzer may be moved before the "OK TO MOVE OR SHOOT" "ACK" is displayed. Move Orders and Fire Missions can not be performed, but as long as the PLGR is valid (i.e. the "A" is gone), the Align Time to Go timer will continue to countdown and the Navigation Subsystem will not require a RESTART. Moving prior to the "OK TO MOVE OR SHOOT" "ACK" must be done in accordance with Unit SOP.

2-12 AFCS INITIALIZATION - CONTINUED

2-12.2 Initializing - Continued

NOTE

AFCS supports two modes of Navigation Update; a Position Update and a Navigation Subsystem Restart. Normally, the Navigation Subsystem will align itself automatically, so only a Position Update is required.

- (f) To perform a Nav Position Update, if entries are correct per unit SOP. If incorrect, this indicates that BCS DATA Transfer of the Map Mod was not successful in the previous step; press CANCEL, to return to the SETUP AND INFORMATION menu and repeat the BCS DATA XFER procedure to get initialized by BCS. If GRID ZONE, HEMISPHERE and SPHEROID entries are correct, then enter, in turn, EASTING, NORTHING, and ALTITUDE as follows: for each item, first box in the item, then press SELECT key. Use keypad to type in value. Press ENT key. Press USE ALL to complete the NAV UPDATE and return to the SETUP AND INFORMATION menu.

If invalid data is entered, the Navigational System will reject it and ask for data re-entry. Press ACK key to acknowledge Alert and re-enter data.

NORMAL					NA W			
MAP / DATUM ENTRY								
SPHEROID		2	HEMISPHERE		NORTH			
DATUM		USRDEF	GRID ZONE		1			
SW EASTING		500000	NE EASTING		510000			
SW NORTHING		11500000	NE NORTHING		10000			
GPS OFFSET X		+0.0	GPS OFFSET Y		+0.0			
GPS OFFSET Z		+0.0						
TYPE SOUTHWEST CORNER NORTHING BETWEEN 0 AND 11000000 -PRESS ENT KEY-								
VALUE TOO BIG					ACK			

06pc116m

- (5) AMMO INVENTORY - Ammunition inventory must be done before the AFCS will accept a fire mission. Inventories must be complete and accurate before the system initialization is completed. The three parts of the inventory records, Shells, Propellants, and Fuzes, are updated as follows:

2-12 AFCS INITIALIZATION - CONTINUED

2-12.2 Initializing - Continued

- (a) Box in AMMO INVENTORY from the SETUP AND INFORMATION menu. Then press SELECT key. This will cause an INVENTORY MANAGEMENT menu to be displayed. Box in either EDIT CURRENT AFCS or EDIT BCS PROVIDED data. Press SELECT key. This will cause an INVENTORY MANAGEMENT menu to be displayed.

The screenshot shows a terminal window with a title bar containing 'NORMAL' and several empty fields. Below the title bar, the text 'INVENTORY MANAGEMENT' is centered. A horizontal line separates the title from the main content area. In the center of the main area, there are two lines of text: 'EDIT CURRENT AFCS' and 'EDIT BCS PROVIDED'. At the bottom of the window, there are two buttons: 'SELECT' on the left and 'CANCEL' on the right.

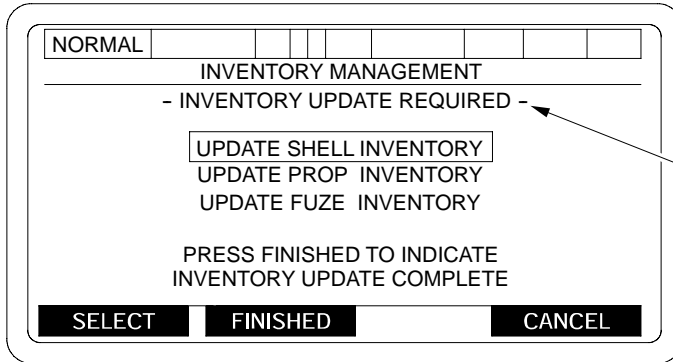
06pc117m

NOTE

- This menu will not be displayed when BCS Provided Inventory Data is not available at the AFCS.
- You can request the POC to provide your Ammo Inventory from the BCS if you know it is a correct count. Use BCS DATA XFER to GET AMMO STATUS (para 2-12.2.d(2)).

2-12 AFCS INITIALIZATION - CONTINUED

2-12.2 Initializing - Continued



MESSAGE ONLY APPEARS IF FIRE MISSION RECEIVED BEFORE OPERATOR VERIFIED AMMO FROM PREVIOUS MISSION

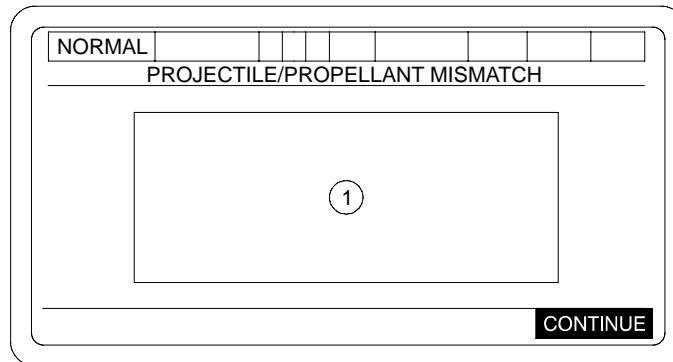
06pc118m

NOTE

If a Fire Mission is activated while in any of the ammunition inventory submenus, all valid complete entries will be saved.

FINISHED

- = When the Finished key is pressed the ammunition inventory shall be reviewed to insure each group of projectiles has at least one propellant and each group of propellants has at least one projectile. If a projectile is found without a propellant or a propellant without a projectile, the AFCS will display Projectile/Propellant Mismatch menu.



06pc189t

CONTINUE = Will display INVENTORY MANAGEMENT menu.

- ① = NO "US" PROJECTILE MATCH and or NO "US" PROPELLANT MATCH

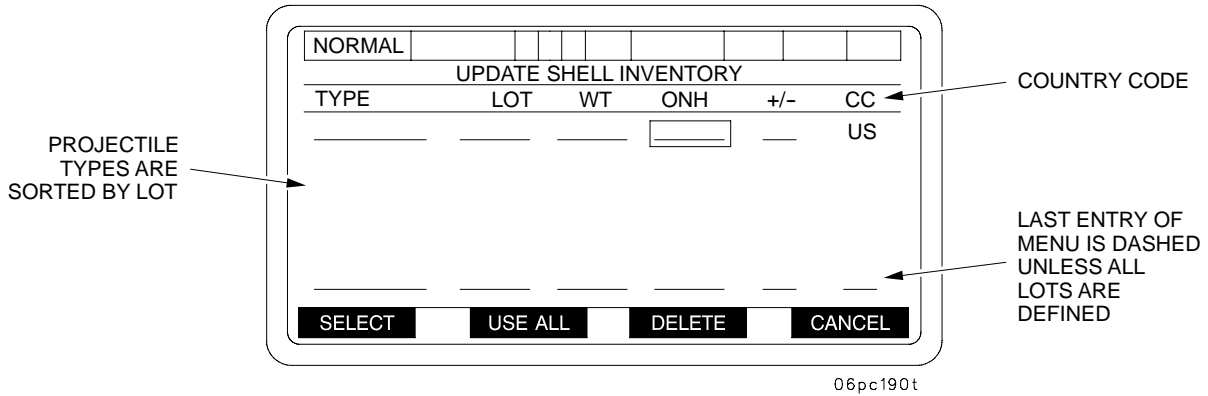
NOTE

Use Up and DOWN keys to scroll.

2-12 AFCS INITIALIZATION - CONTINUED

2-12.2 Initializing - Continued

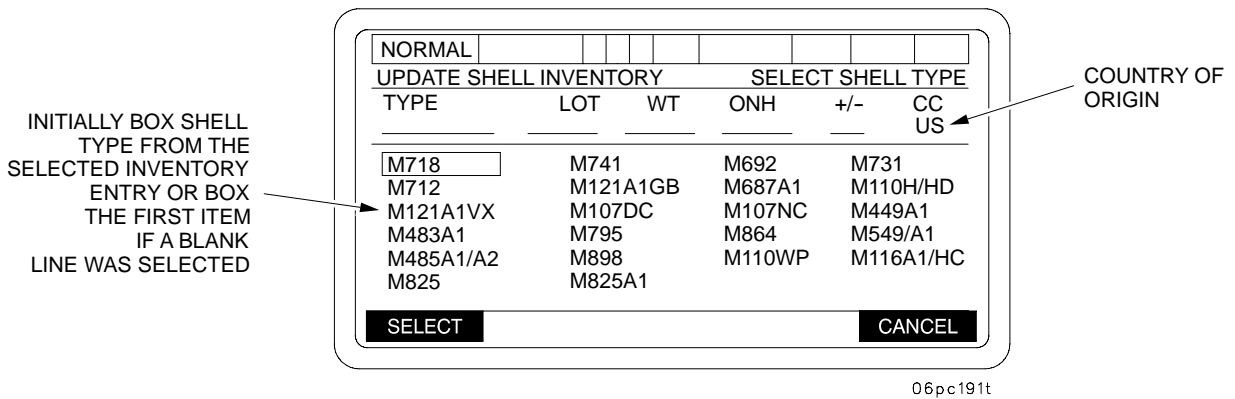
- (b) Box in UPDATE SHELL INVENTORY. Press SELECT key. This will cause an UPDATE SHELL INVENTORY menu to be displayed.



NOTE

Pressing the DELETE key will cause the selected shell to be deleted from inventory no matter where on the inventory line the selection box is positioned.

- (c) To add a new entry, box in the first blank line. Press SELECT key. This will cause an UPDATE SHELL INVENTORY-SELECT SHELL TYPE menu to be displayed.



2-12 AFCS INITIALIZATION - CONTINUED

2-12.2 Initializing - Continued

- (d) Press SELECT key to display a SELECT LOT menu.

INITIALLY BOX LOT FROM SELECTED INVENTORY ENTRY (IF BLANK LINE NOT SELECTED) OTHERWISE BOX THE FIRST AVAILABLE UNUSED LOT

BLANK ALL USED LOTS EXCEPT THE LOT FROM THE SELECTED INVENTORY ENTRY (IF A BLANK LINE NOT SELECTED)

NORMAL						
UPDATE SHELL INVENTORY						SELECT LOT
TYPE	LOT	WT	ONH	+/-	CC	
					US	
	B	C	D	E	F	
G	H	I	J	K	L	
M	N	O	P	Q	R	
S	T	U	V	W	X	
Y	Z					
SELECT			CANCEL			

COUNTRY OF ORIGIN

06pc192t

- (e) Box in Lot choice and press SELECT key. This will cause a lot designator to be assigned to the selected shell. Once a lot selection is made, that designator (letter) will disappear. This prevents using same lot twice. When the SELECT key is pressed, an EDIT LOT/TYPE DESIGNATION menu will be displayed.

NORMAL						
EDIT LOT/TYPE DESIGNATION						
TYPE	LOT	WT	ONH	+/-	CC	
					US	
		WT				
		TYPE WEIGHT IN POUNDS				
		BETWEEN _____ AND _____				
		- PRESS ENT KEY -				
						CANCEL

COUNTRY OF ORIGIN

WEIGHT FROM INVENTORY ENTRY (IF BLANK LINE NOT SELECTED)

OTHERWISE USES DEFAULT WEIGHT FOR THE SELECTED SHELL TYPE

OR SQUARES IF SHELL IS WEIGHT ZONED

06pc193t

- (f) If shell weight is not the same as default weight, type in new weight and press ENT key. This will cause the UPDATE SHELL INVENTORY menu to be displayed.

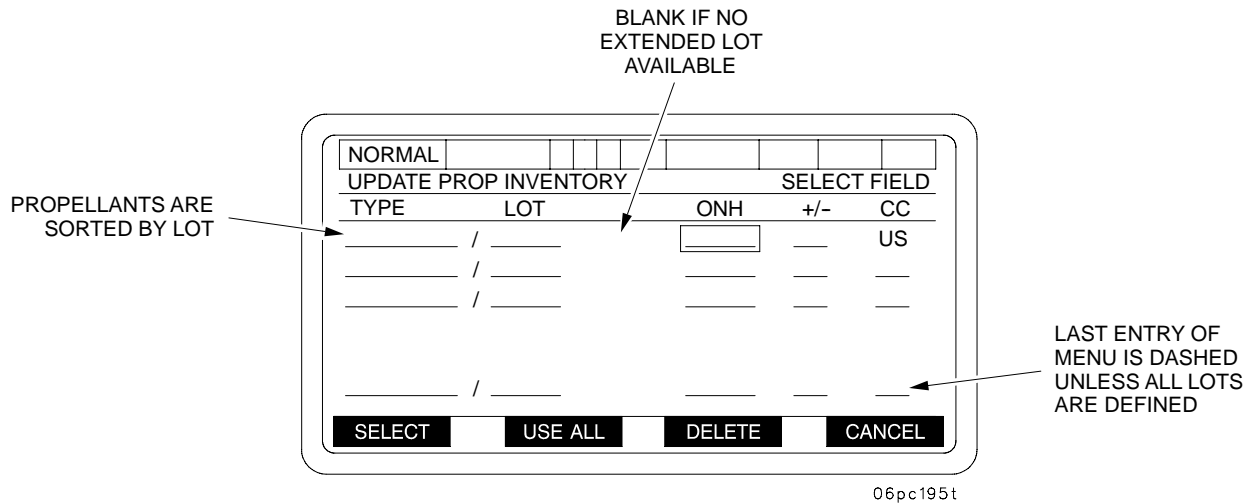
NOTE

Weight will be displayed in pounds or squares.

2-12 AFCS INITIALIZATION - CONTINUED

2-12.2 Initializing - Continued

- (i) Box in UPDATE PROP INVENTORY on INVENTORY MANAGEMENT (UPDATE) menu. Press SELECT key to display UPDATE PROP INVENTORY menu.



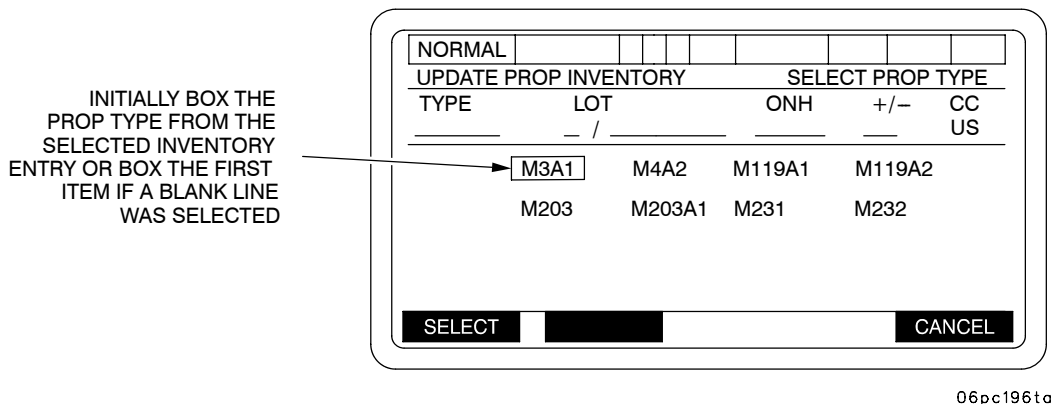
NOTE

The DELETE key shall cause the selected propellant to be deleted from inventory no matter where on the inventory line the selection box is positioned.

- (j) To add a new entry, box in the first blank line on UPDATE PROP INVENTORY menu. Press SELECT key to display SELECT PROP TYPE menu. Box in propellant type and press SELECT key.

NOTE

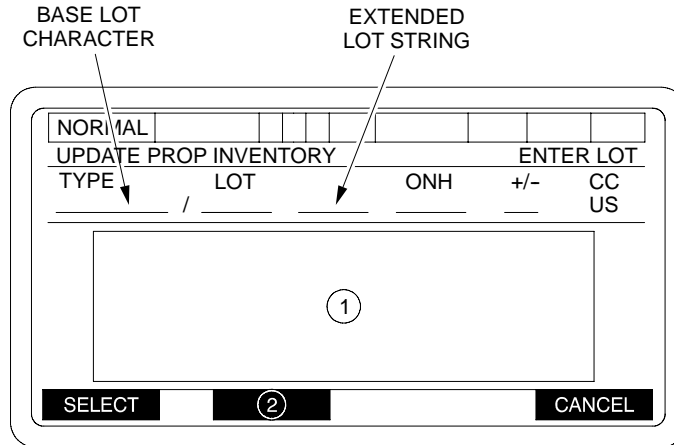
The data displayed on the third line of this display is that given in the selected inventory entry (either a blank line or an existing entry) and is updated as entries are made.



2-12 AFCS INITIALIZATION - CONTINUED

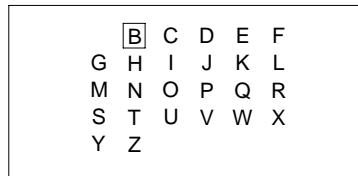
2-12.2 Initializing - Continued

- (k) When the SELECT key on the Select Prop Type screen is pressed the ENTER LOT menu will be displayed.



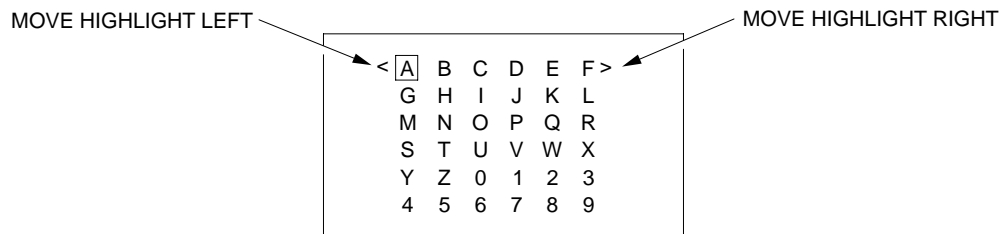
06pc197t

- ① On initial entry to this display, the cursor box is on the base lot from the selected inventory entry (if a blank line was not selected). Otherwise, box the first available unused base lot letter. The base lot location in the upper display is highlighted in reverse video. All base lots currently in the propellant inventory are deleted from the selection area (except for the selected inventory entry base lot if not on a blank inventory line).



06pc127m

After the base lot is selected, the extended lot editing function is entered. All alphabetic characters as well as numeric and highlight movement characters are made available for operator selection. The reverse video highlight is initially moved to the first character position (left most character) in the extended lot string. Highlight movement will wrap at the ends of the extended lot string. Pressing the CLR key will erase the character under the reverse video highlight.



06pc127m

- ② Blank - until extended lot string editing begins
 USE ALL - while editing the extended lot string

2-12 AFCS INITIALIZATION - CONTINUED

2-12.2 Initializing - Continued

When USE ALL key is pressed, the extended string is compared with other extended lot codes in inventory. If a duplicate extended lot string is found, a short error message will be displayed.

DUPLICATE EXTENDED LOT FOUND ACK

When ACK is pressed, the extended lot editing function will be resumed and the highlight will be at the last character position prior to pressing USE ALL. Before pressing USE ALL, enter a different extended lot.

BASE LOT CHARACTER

EXTENDED LOT STRING

NORMAL									
UPDATE PROP INVENTORY					ENTER LOT				
TYPE	LOT	ONH	+/-	CC					
_____	_____	_____	_____	US					

①

SELECT USE ALL CANCEL

06pc198t

- (I) When the USE ALL key is pressed, the Update Prop Inventory menu is displayed. Box in either +/- column and press SELECT key. Type in new quantity and press ENTER key. New quantity will be displayed.

NORMAL									
UPDATE PROP INVENTORY					UPDATE QUANTITY				
TYPE	LOT	ONH	+/-	CC					
_____	_____	_____	_____	US					

NUMERIC FIELD ADDS/SUBTRACTS ENTERED VALUE TO ON-HAND QUANTITY (1-9999)

TYPE PROP QUANTITY -PRESS ENT KEY-

+/- CANCEL

06pc199t

NOTE

The +/- soft key will appear when the +/- column is selected. If you select the ONH column, the +/- soft key will not appear.

2-12 AFCS INITIALIZATION - CONTINUED

2-12.2 Initializing - Continued

- (m) When propellant types have been updated or edited, press USE ALL key. This will cause the INVENTORY MANAGEMENT menu to be displayed.
- (n) Box in UPDATE FUZE INVENTORY on INVENTORY MANAGEMENT menu. Press SELECT key to display UPDATE FUZE INVENTORY - SELECT FIELD menu. To add a new entry, move box to the first blank line. Press SELECT key. A SELECT FUZE TYPE menu will be displayed.

TYPE SORTED BY MODEL NUMBER

UPDATE FUZE INVENTORY		SELECT FIELD	
TYPE	ONH	+/-	CC
NORMAL	<input type="checkbox"/>		US

SELECT USE ALL DELETE CANCEL

LAST ENTRY OF MENU IS DASHED UNLESS ALL TYPES ARE DEFINED

06pc200t

NOTE

The DELETE key shall cause the selected fuze to be deleted from inventory no matter where on the inventory line the selection box is positioned.

- (o) Box in FUZE TYPE and press SELECT key. Move box to proper column (ONH, or +/-). Press SELECT key. Type in quantity and press ENT key.

NOTE

The data displayed on the third line of this display is that given in the selected inventory entry (either a blank line or an existing entry) and is updated as entries are made.

INITIALLY BOX THE FUZE TYPE FROM THE SELECTED INVENTORY ENTRY OR BOX THE FIRST ITEM IF A BLANK LINE WAS SELECTED

SEE NOTE 2

UPDATE FUZE INVENTORY		SELECT FUZE TYPE	
TYPE	ONH	+/-	CC
MK399	MK548	M514A3	M564
M514/A1/B1	M557	M577/A1	M732
M565	M572		
M582/A1	M728		

SELECT NATO CANCEL

MORE ABOVE

M582/A1	M728	M732
M732/A2	M739/A1	M762
M767	<u>M782</u>	

06pc464ma

2-12 AFCS INITIALIZATION - CONTINUED

2-12.2 Initializing - Continued

NORMAL							
UPDATE FUZE INVENTORY				UPDATE QUANTITY			
TYPE		ONH	+/-	CC			
		<input type="text"/>		US			

TYPE FUZE QUANTITY -PRESS ENT KEY- CANCEL

NUMERIC FIELD ENTERS NEW ON-HAND QUANTITY (1-9999)

06pc202t

NOTE

The +/- Softkey will appear when the +/- column is selected. If you select the ONH column, the +/- Softkey will not appear.

- (p) When fuzes have been updated, press USE ALL key to return to INVENTORY MANAGEMENT menu.

NORMAL

INVENTORY MANAGEMENT

- INVENTORY UPDATE REQUIRED -

UPDATE SHELL INVENTORY
UPDATE PROP INVENTORY
UPDATE FUZE INVENTORY

PRESS FINISHED TO INDICATE
INVENTORY UPDATE COMPLETE

SELECT FINISHED CANCEL

MESSAGE ONLY APPEARS IF A FIRE MISSION RECEIVED BEFORE OPERATOR VERIFIED AMMO FROM PREVIOUS MISSION

06pc203t

NOTE

- If a fire mission is activated while in any of the ammunition inventory sub-menus, all valid complete entries with consistent projectile/propellant, country code matches shall be saved.
- If the **CANCEL** Softkey is selected all edits will be ignored.

FINISHED =When the finished key is pressed the ammunition inventory shall be reviewed to insure each group of projectiles has at least one propellant and each group of propellants has at least one projectile. If a projectile group is found without a propellant or a propellant without a projectile, the AFCS will display PROJECTILE/PROPELLANT MISMATCH menu. Pressing the CONTINUE Softkey on this menu will return operator to the INVENTORY MANAGEMENT menu, at which time the operator has to update SHELL/PROP inventory.

2-12 AFCS INITIALIZATION - CONTINUED

2-12.2 Initializing - Continued

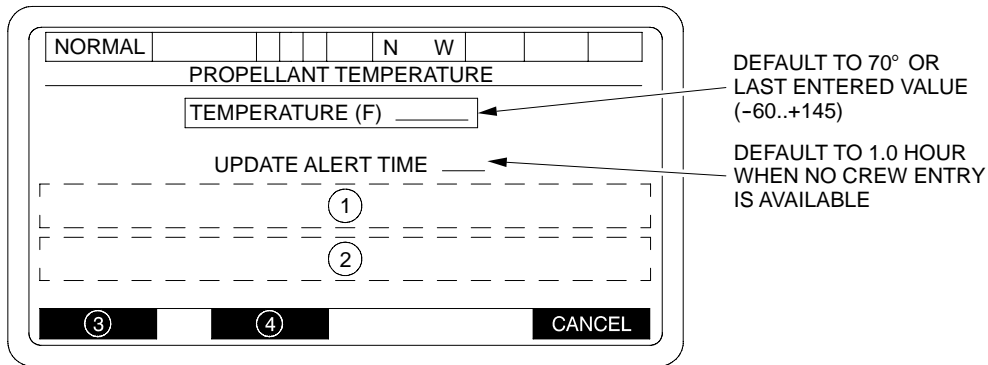
(q) When all ammunition data has been entered or updated, press FINISHED key to display the SETUP AND INFORMATION menu.

(6) PROPELLANT TEMPERATURE - Must be entered in order to complete initialization. After ammunition has been received, a propellant temperature should be obtained by the crew using a calibrated propellant temperature gage. Propellant temperatures are entered as follows:

NOTE

- Accurate propellant temperatures must be entered in order for AFCS to accurately compute Muzzle Velocity Variances.
- Numerical value must be entered before sign. Default sign is (+).

(a) Box in PROP TEMP from SETUP AND INFORMATION menu. Press SELECT key. A PROPELLANT TEMPERATURE menu will be displayed. Type in correct temperature and press ENT key.



06pc204t

- ① TIME TO GO XX:XX (HOURS:MINUTES) OR TIME EXCEEDED
- ② WHEN TEMPERATURE SELECTED
 TYPE TEMPERATURE IN FAHRENHEIT DEGREES: -60 TO +145
 - PRESS ENT KEY -
 WHEN UPDATE ALERT TIME SELECTED
 TYPE UPDATE TIME IN 0.5 HOUR INCREMENTS 0.5 TO 2.0
 - PRESS ENT KEY -
- ③ BLANK - When TEMPERATURE or UPDATE ALERT TIME selected
 SELECT - When item is not selected
- ④ USE ALL - When no item is selected
 +/- - When temperature is selected
 BLANK - When UPDATE ALERT TIME is selected

2-12 AFCS INITIALIZATION - CONTINUED

2-12.2 Initializing - Continued

- (b) If a temperature outside allowable range is input, operator alert "VALUE TOO BIG" or "VALUE TOO SMALL" will appear when ENT key is pressed. The ACK key must be pressed to return to the PROPELLANT TEMPERATURE menu to enter correct temperature.

06pc134ma

- (c) A propellant temperature is input during initialization by selecting PROP TEMP from the SETUP AND INFORMATION menu to display the PROPELLANT TEMPERATURE menu. The operator is allowed to enter the propellant temperature. If no temperature is entered the AFCS will use the default value of 70 degrees F. To enter the propellant temperature, place cursor to TEMPERATURE (F), press the soft key under SELECT prompt. An operator prompt "TYPE TEMPERATURE IN FAHRENHEIT DEGREES -60 TO +145 --PRESS ENTER KEY" will appear. Type in propellant temperature and press ENT key. In addition, the AFCS incorporates a timed audible and visual alert to the operator to warn that a propellant temperature update is required. The time interval to use for the audible and visual alerts are selectable on the PROP TEMP menu, from 30 minutes (0.5 hours) to 120 minutes (2.0 hours) in 30 minute increments. The alert time is defaulted to 1.0 hour when no time is entered by the operator. To set alert time, place cursor on UPDATE ALERT TIME, and press soft key under SELECT prompt. An operator prompt, "TYPE UPDATE TIME IN 0.5 HOUR INCREMENTS 0.5 TO 2.0, PRESS ENTER KEY. When the operator has successfully entered the propellant temperature and alert time return to SETUP AND INFORMATION menu by pressing soft key under USE ALL prompt. When correct propellant temperature and alert time have been entered, pressing USE ALL will display the SETUP AND INFORMATION menu.

- (7) MUZZLE VELOCITY VARIANCE (MVV) - To set the minimum number of rounds that will be used in calculating muzzle velocity variances, select the MVV ROUNDS from the SETUP AND INFORMATION screen.

- NOTE: 1. The entry field will display the current MVV rounds selected and will default to 4 on systems initialization.
 2. To use the MVV, you must have an extended lot code in the AFCS inventory.

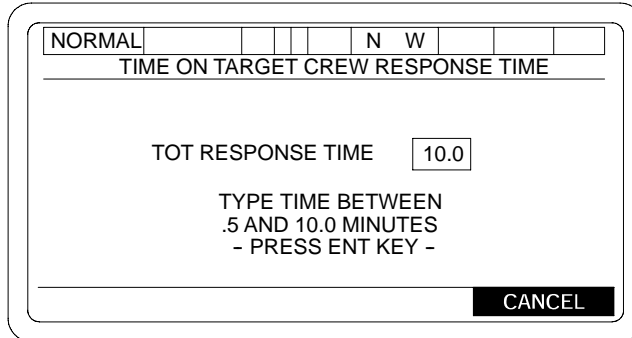
06pc610m

2-12 AFCS INITIALIZATION - CONTINUED

2-12.2 Initializing - Continued

(8) TOT RESPONSE TIME - This is used to set crew time response for a specific fire mission. The data tells the AFCS how much advance warning a crew needs before a Time on Target (TOT) mission is to be fired. This data is entered as follows:

- (a) Box in TOT RESPONSE from SETUP AND INFORMATION menu. Press SELECT key to display a TIME ON TARGET CREW RESPONSE TIME menu.
- (b) Enter data for response time and press the ENT key. This will return the display to the SETUP AND INFORMATION menu.



06pc136m

(9) LOAD ELEVATION - This data is entered in the AFCS to specify an elevation that the gun tube will automatically return to after firing when the LOAD key is pressed on the DU panel. Enter LOAD ELEVATION as follows:

- (a) Box in LOAD ELEVATION from the SETUP AND INFORMATION menu. Press SELECT key to display a TUBE LOAD ELEVATION menu.

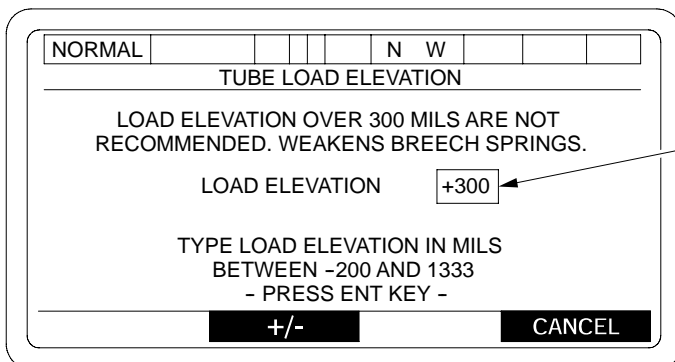


Do not enter an elevation greater than 300 mils. Settings above 300 mils may result in breech failing to close and could cause unnecessary wear on spring pack.

NOTE

Numerical value must be entered before sign. Default sign is (+).

- (b) Type in desired elevation data and press ENT key. The SETUP AND INFORMATION menu will be displayed.



NUMERIC FIELD LOAD ELEVATION -200..1333 MILS DEFAULT TO CURRENT LOAD ELEVATION

06bc135m

2-12 AFCS INITIALIZATION - CONTINUED

2-12.2 Initializing - Continued

(10) SECTOR OF FIRE - Used to define the howitzer's sector of fire. Data is entered as follows:

- (a) Box in SECTOR OF FIRE from SETUP AND INFORMATION menu. Press SELECT key to display DEFINE SECTOR OF FIRE menu.
- (b) Box in LEFT LIMIT OF SECTOR. Press SELECT key. Enter data. Press ENT key. Move box to AOF. Press SELECT key. Enter data. Press ENT key. Move box to RIGHT LIMIT OF SECTOR. Press SELECT key. Enter data. Press ENT key.

06pc205t

IF LEFT = RIGHT

ERROR - LEFT AND RIGHT EQUAL ACK

If AZIMUTH OF FIRE is not to
RIGHT OF LEFT LIMIT and LEFT
OF RIGHT LIMIT.

ERROR - AZIMUTH OF FIRE NOT IN SECTOR ACK

① BLANK: No selection made

Selection made:

“TYPE AZIMUTH BETWEEN 0 AND 6399 MILS”

“PRESS ENT KEY”

NOTE

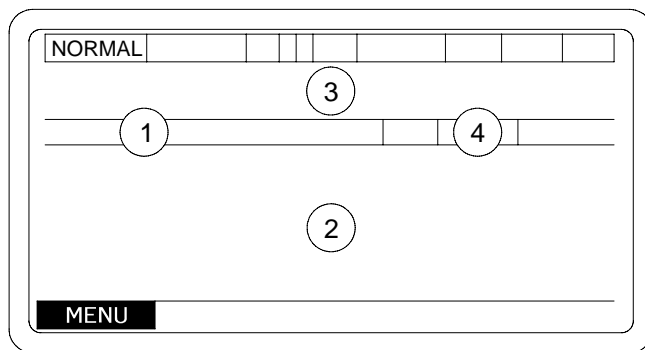
- Operator entered Sector of Fire data will be used by the AFCS during Move Orders to help orient the vehicle during emplacement at a Firing Point/Firing Area.
- During Emplacement after a Move Order, this AOF will be “Base Azimuth” for 3200 Deflection.
- SECTOR OF FIRE entered by the operator will be used to calculate ballistic. If BCS has not sent SECTOR OF FIRE for prescribed location (FIRING AREA/POINT).

- (c) When all correct data has been entered, press USE ALL key to enter data and return to SETUP AND INFORMATION menu. Operator entered Sector of Fire data will update the Site Data display.

2-12 AFCS INITIALIZATION - CONTINUED

2-12.2 Initializing - Continued

- (d) When all initialization data (Asterisk items from SETUP AND INFORMATION menu) has been entered, and the navigation subsystem alert "OK TO MOVE OR SHOOT", "ACK" has been displayed and the ACK key pressed, then press CANCEL key on SETUP AND INFORMATION menu to bring up a SECTION IN ORDER AT INITIALIZATION POINT display.



06pc138m

- ① "FPF/PRI EXISTS" FPF/PRI TARGET EXISTS IN STORED TARGET TABLE
"NO FPF/PRI EXISTS" - FPF/PRI TARGET DOES NOT EXIST IN STORED TARGET TABLE
- ② "SECTION IN ORDER AT LOGISTICS POINT" - ARRIVAL LOCATION IS LOGISTICS POINT
"SECTION IN ORDER AT INITIALIZATION POINT" - ARRIVAL LOCATION IS INITIALIZATION POINT
- ③ **DO NOT MOVE** - NO FPF/PRI EXISTS
DO NOT MOVE / DO NOT LOAD - FPF-PRI TARGET EXISTS
- ④ TUBE TEMPERATURE STATUS

2-12 AFCS INITIALIZATION - CONTINUED

2-12.3 Initialization After an Orderly Shutdown.

WARNING

When operating the PLGR on external power with BA-5800 lithium battery installed, the battery may explode. Ensure battery is removed before connecting power cable to prevent serious injury or death.

NOTE

M93 MVS must be installed and connected prior to turning the vehicle MASTER power switch ON.

During AFCS operation, it may become necessary to power down and then back up; e.g., a system lockup occurs.

NOTE

After AFCS has been powered down, the AFCS will power up and be operational in approximately 3-4 minutes.

Power down in this form causes an orderly shutdown, and some of the AFCS data is saved. An orderly shutdown also occurs when the power is turned off after normal operations. Some of the data saved on orderly shutdown is Net Access, Net Address, Ammo Inventory, Navigation Data (location where system was powered down), TOT Response, Load Elevation, and the last operator-entered Sector of Fire. When the system is turned back on from an orderly shutdown, step-by-step initialization is not necessary, although action on all asterisk marked items on the SETUP AND INFORMATION menu must be accomplished. The process for initialization after an orderly shutdown is as follows:

- a. System Power Up. Set MASTER switch and Power Conditioner Unit circuit breakers to ON.

With the PLGR in the PLGR mount and all external cables attached, press the ON/BRT key on the PLGR key pad. The PLGR should power up automatically and perform its self-test (BIT). Operate the PLGR in accordance with the PLGR TM 11-5825-291-13.

If the PLGR does not have a current key (i.e. the PLGR was previously "zeroized", newly installed or the key has expired), then load a valid key in accordance with the PLGR TM 11-5825-291-13, Section 3.6.

NOTE

To load a key, the DRUH must be off, or the P4 DRUH-PLGR Signal Connector must be disconnected to cause a PLGR COM FAIL. Simple re-attachment of P4 DRUH-PLGR Signal Connector after PLGR keying will automatically cause DRUH-PLGR communications to resume if DRUH is on.

If the PLGR antenna has a clear view of the sky, turn PLGR on. If the antenna's view of the sky is blocked (e.g. the vehicle is in a building, under tree cover or parked next to a large structure), move vehicle until the PLGR is clear.

If the vehicle can not be moved, keep PLGR turned off until the vehicle can be moved to a location with a clear view of the sky.

2-12 AFCS INITIALIZATION - CONTINUED

2-12.3 Initialization After an Orderly Shutdown - Continued

NOTE

- If the PLGR is off, the Navigation Subsystem will still accept initialization data from the AFCS for inertial operation and the Navigation System will operate as before.
 - Guidelines for conditions and times for the PLGR to obtain position data acceptable by the AFCS.
- (1) If the antenna has a clear view of the sky and PLGR has a valid position, current GPS time, current GUV key, and has stored a current satellite almanac, PLGR will be acceptable for use in about three minutes following the first turn-on of the day. It will take about 90 seconds for subsequent turn-ons. These are the normal operating conditions.
 - (2) If the antenna has a clear view of the sky and PLGR has a current GUV key but the PLGR doesn't have a valid position, current GPS time, or current satellite almanac, it may take up to 20 minutes after turn-on for the PLGR to output data of acceptable accuracy.
 - (3) If the PLGR has a valid position, current GPS time, current key, and current satellite almanac, but the antenna is masked from a clear view of the sky when PLGR is turned on, it may take up to 20 minutes to get acceptable data after the vehicle is moved to a location with a clear view of the sky. This results from the PLGR initiating a search for all possible satellites if it can't lock on to those expected, for its current position, time, and almanac, within a reasonable time interval.
 - (4) If the PLGR doesn't have a current key, its data won't be acceptable for use by the AFCS. However, assuming a clear view of the sky, it can be turned on to initialize position, time, and satellite almanac in about 20 minutes. Then when a valid key is loaded, the PLGR will be ready to go within three minutes.

NOTE

M93 MVS must be installed and connected prior to turning the vehicle MASTER power switch on.

Make sure TRAINING switch on DU is OFF. Set POWER switch on DU to ON. When power is first applied to the AFCS, the display will be blank and the AFCS will automatically perform its internal self-test (BIT). Next a screen will be displayed with this message "AFCS OPERATING SYSTEM BOOT UP...PLEASE WAIT...", followed by an "INITIALIZATION IN PROGRESS..." screen.

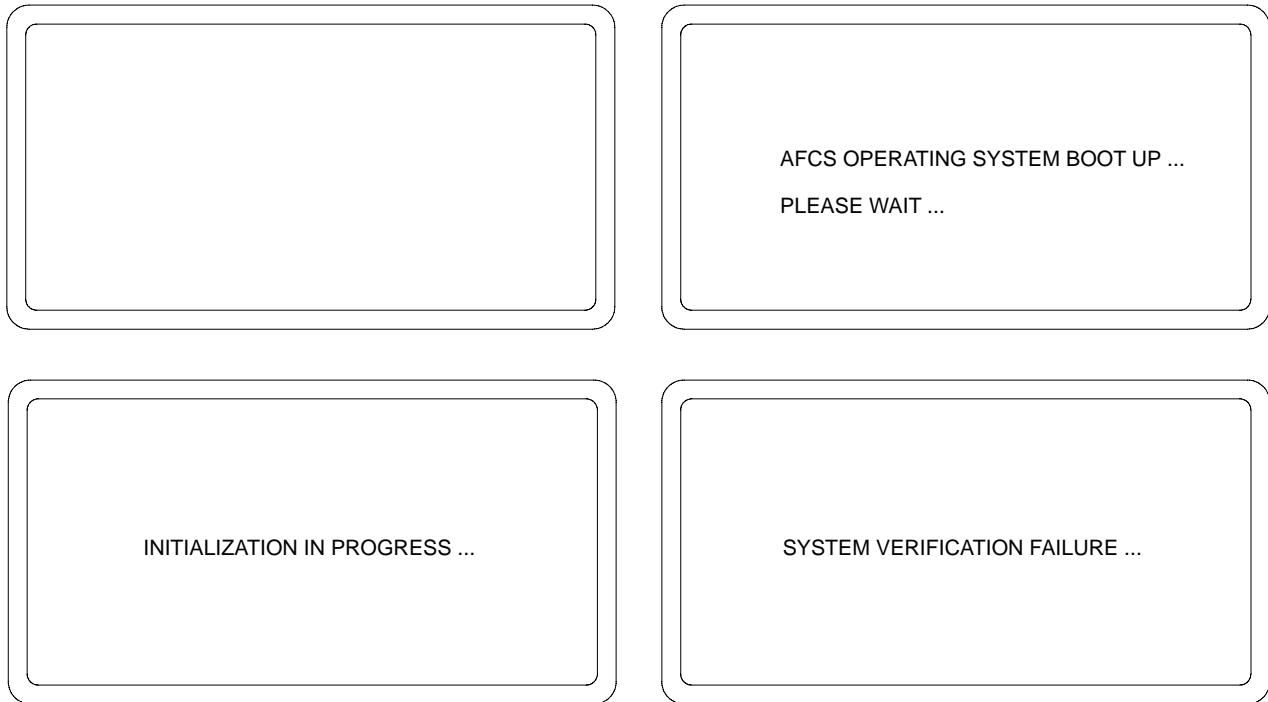
NOTE

- The time lapse between first three screens can range from 3 to 5 minutes.
- If screen stays blank for more than 7 minutes, power down system.

A "SYSTEM VERIFICATION FAILURE" screen may be displayed only if the SYSTEM VERIFICATION report indicates a failure.

2-12 AFCS INITIALIZATION - CONTINUED

2-12.3 Initialization After an Orderly Shutdown - Continued



06pc414ma

After the AFCS powers up, the PLGR screen should read:

REMOTE CONTROL
Only ZEROIZE key
activated

At this point the PLGR key pad will become inactive. The only PLGR operation allowed using the key pad is EMERGENCY ZEROIZE.

If this message is not displayed on the PLGR screen, and the Low Priority Message "GPS OUT - PLGR DISCONNECTED" is not displayed on the DU, ensure that the DRUH-PLGR Signal Connector (P4) plug on the W17A cable is connected and secure. Once this PLGR screen is displayed, proceed with system initialization.

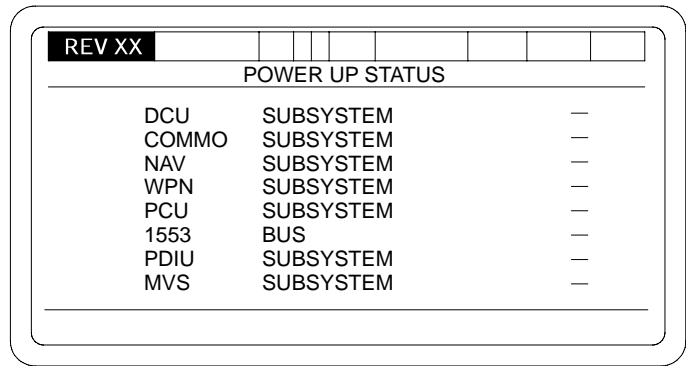
NOTE

- NAV SUBSYSTEM includes: VMS, DRUH, VMS Modems
- PCU SUBSYSTEM includes: PCU and both Back-Up Batteries
- The switches on the PCU are circuit breakers. They should be left ON at all times, so they will not wear out from being turned off and on constantly.

2-12 AFCS INITIALIZATION - CONTINUED

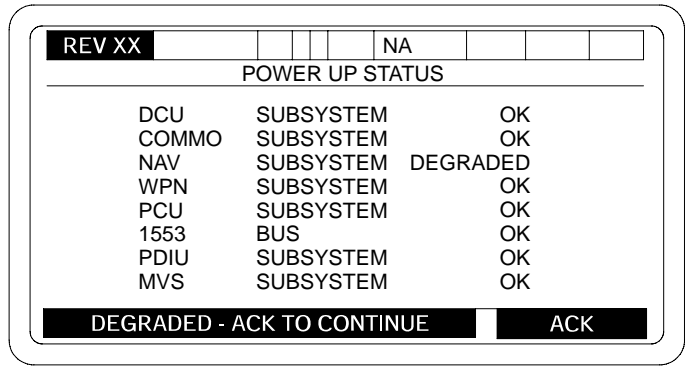
2-12.3 Initialization After an Orderly Shutdown - Continued

- (5) This screen displays the subsystems that are checked by BIT. As the subsystems are checked, the dashed lines will change to a subsystem status (OK, DEGRADED, OUT, - -). The - - appears on the MVS status line when the AFCS could not be connected to the MVS. This screen also identifies the system software version.



06pc071m

In the event of a failure during POWER UP STATUS, the message, DEGRADED-ACK TO CONTINUE, will be displayed on the bottom line of the EL Panel. To continue, depress soft key under ACK. After the self-test is complete, SELECT OPERATIONAL MODE menu is displayed.



06pc074m

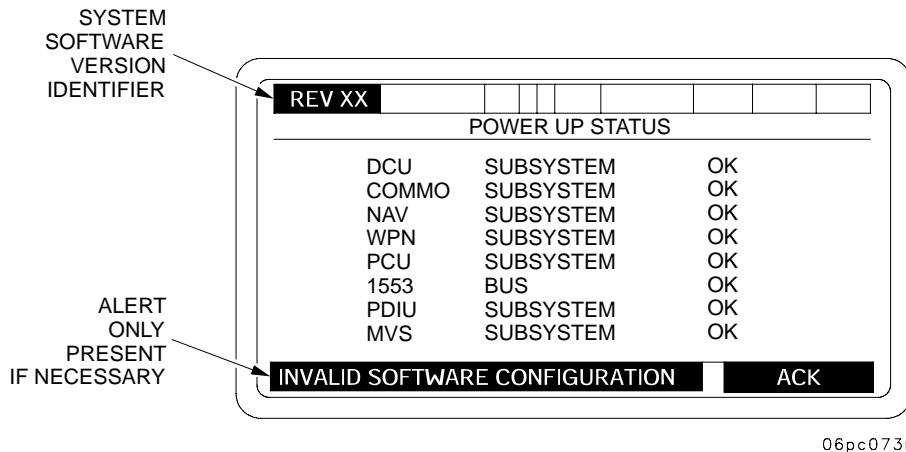
NOTE

If DCU contains an incorrect configuration, the AFCS will not allow the operator to select normal operations until a correct DCU software configuration is downloaded.

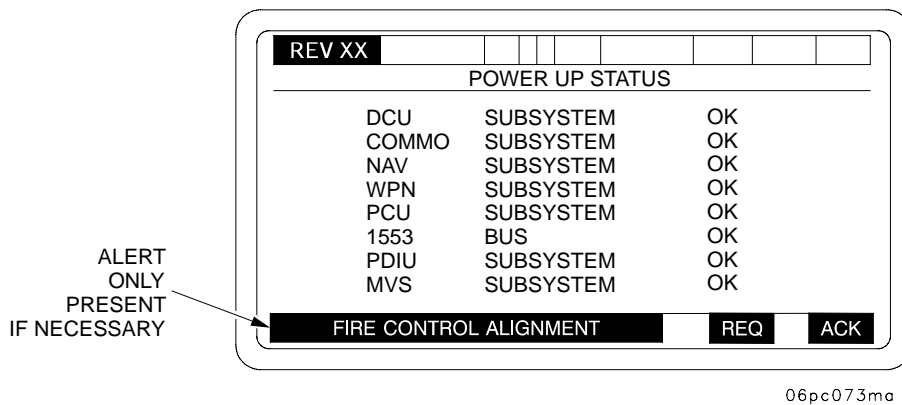
2-12 AFCS INITIALIZATION - CONTINUED

2-12.3 Initialization After an Orderly Shutdown - Continued

When configuration verification checking indicates that an invalid howitzer software configuration is present, a short error message "INVALID SOFTWARE CONFIGURATION" "ACK" will appear on the soft key label line of the DU.



*Discuss Boresight entry requirements during initial POWER-UP and DU FAULT LAMPS



When the message is acknowledged, the AFCS will proceed to the "SELECT OPERATIONAL MODE" menu. To view detailed software configuration information for each LRU, MAINTENANCE should be selected, IAW procedure in para 3-5.1.

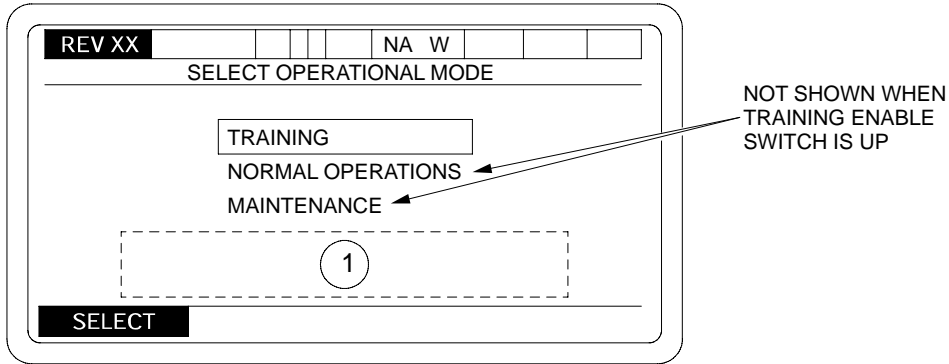
(6) Operational Mode Selection Menu.

This menu allows selection of the primary operating mode for the AFCS.

The selection structure shows the prompting for Embedded Training selection. Note that the TRAINING selection and the associated prompting will not be available if the Embedded Training Controller fails power-up BIT.

2-12 AFCS INITIALIZATION - CONTINUED

2-12.3 Initialization After an Orderly Shutdown - Continued



06pc139m

- 1 - WHEN TRAINING SWITCH IS UP:
 - POSITION TRAINING ENABLE SWITCH DOWN**
 - TO SELECT OTHER MODES**

- WHEN TRAINING SWITCH IS DOWN:
 - POSITION TRAINING ENABLE SWITCH UP**
 - TO SELECT TRAINING MODE**

b. Initialization. Select NORMAL OPERATIONS on the SELECT OPERATIONAL MODE menu and press SELECT soft key. A NET ACCESS menu will be displayed.

- (1) NET ACCESS - Check data on the NET ACCESS menu for correctness against current data from POC/BCS and press USE ALL. This will cause a NET ADDRESS menu to be displayed.

Using the NET ACCESS menu, check that data in the displayed menu shows same data that the unit SOP specifies.

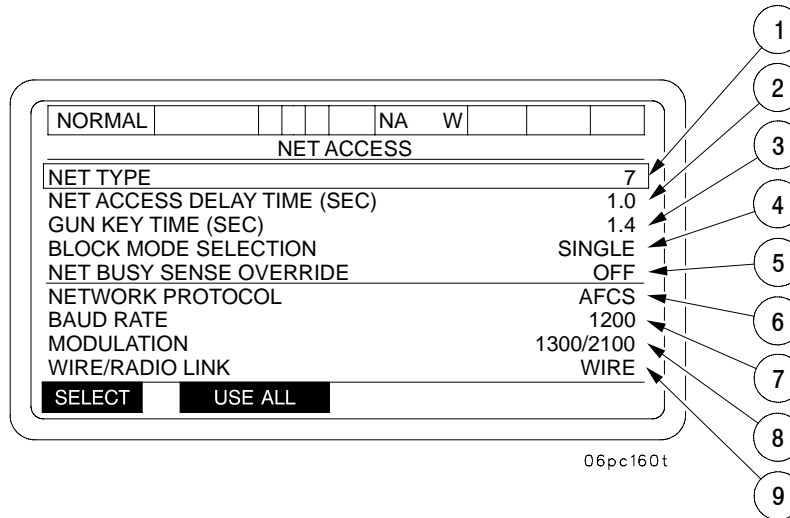
NOTE

To ensure efficient set up of the digital net, it is very important that NET ACCESS and NET ADDRESS data be assigned and controlled by POC/BCS. Verify data per local SOP.

- (2) NET TYPE - To select the correct NET TYPE for NETWORK PROTOCOL see Table 2-2 for AFCS NETWORK PROTOCOL entries 1 to 21, and Table 2-3 for 188-220A PROTOCOL entries 22 to 52.

2-12 AFCS INITIALIZATION - CONTINUED

2-12.3 Initialization After an Orderly Shutdown - Continued



Entries for the NET ACCESS menu are listed below.

- 1 ENTER NET TYPE. NUMERIC FIELD, RANGE 1 . . 52 (DEFINED IN TABLES 2-2 AND 2-3 (SEE (b) BELOW)
- 2 NUMERIC FIELD, RANGE .5 TO 49.5 SECONDS (SEE (a) BELOW)
- 3 WHEN SELECTED GUN KEY TIME MENU WILL BE DISPLAYED
- 4 (SINGLE, DOUBLE) ENTRY
- 5 (OFF, ON) ENTRY
- 6 AFCS OR 188-220A BASED ON NET TYPE. NOT SELECTABLE (SEE NOTE (c and d) BELOW)
- 7 (300, 600, 1200, 2400, 4800, 8000, 16000, 32000) BASED ON NET TYPE. NOT SELECTABLE
- 8 (NRZ, CDP, 1200/2400, 1300/2100, 1575/2425) BASED ON NET TYPE. NOT SELECTABLE
- 9 (WIRE RADIO, RADIO/KY-57) BASED ON NET TYPE. NOT SELECTABLE
WHEN NET TYPE OR NET ACCESS DELAY TIME IS SELECTED (SEE (a and b) BELOW)

USE ALL

- The NET ADDRESS (AFCS) menu will be displayed if NETWORK PROTOCOL is AFCS
- The NET ADDRESS menu will be displayed if NETWORK PROTOCOL is 188-220A

- (a) When NET ACCESS DELAY TIME (SEC) SELECTED, LINE is overwritten with, "TYPE TIME: .5 TO 49.5 SEC" - PRESS ENT -
- (b) When NET TYPE SELECTED, LINE is overwritten with "TYPE NET TYPE: Entries from Tables 2-2 and 2-3" - PRESS ENT -
- (c) When NETWORK PROTOCOL is AFCS the menu above will be displayed.
- (d) When NETWORK PROTOCOL is 188-220A NET ADDRESS menu will be displayed.

2-12 AFCS INITIALIZATION - CONTINUED

2-12.3 Initialization After an Orderly Shutdown - Continued

NORMAL					NA	W		
NET ADDRESS								
					GUN PLTN/SECT			1/1
					BROADCAST	ADRS		A
					PHYSICAL	ADRS		B
1/1	2/1				PRIMARY BCS	ADRS		C
1/2	2/2				BACKUP BCS	ADRS		D
1/3	2/3				AFCS URN			1234567
1/4	2/4				PRIMARY BCS	URN		11234567
					BACKUP BCS	URN		16777215
					CONTROLLING BCS			PRIMARY
SELECT					CANCEL			

06pc166ta

- (2) NET ADDRESS - Check data on the NET ADDRESS menu for correctness against current data from POC and press USE ALL if data is correct. If data is not correct see para 2-12.2c. A SETUP AND INFORMATION menu will be displayed.
- (3) SET DATE/TIME - Select SET DATE/TIME on SETUP AND INFORMATION menu and press SELECT to display a SET DATE/TIME GROUP menu.

NORMAL					NA	W		
SETUP AND INFORMATION								
					* TOT RESPONSE			
					* LOAD ELEVATION			
* SET DATE/TIME					* SECTOR OF FIRE			
* BCS DATA XFER					RECEIVED MSG			
* ENTER MAP/DATUM					WARNING MSG			
* NAV UPDATE					MAX TUBE EL			
* AMMO INVENTORY					SITE DATA			
* PROP TEMP					SEND CHECKFIRE			
* MVV ROUNDS								
SELECT					NEXTPAGE			

06pc141m

2-12 AFCS INITIALIZATION - CONTINUED

2-12.3 Initialization After an Orderly Shutdown - Continued

NOTE

Use according to unit SOP.

If GPS data is available select "USE GPS".

PRESENT ONLY IF GPS IS AVAILABLE

CURSOR DEFAULT POSITION

06pc177t

NOTE

If GPS is not available or if POC has instructed you not to use GPS time, type in new DTG.

SELECT TIME ZONE - Enter SELECT TIME ZONE in accordance with unit SOP.

06pc178t

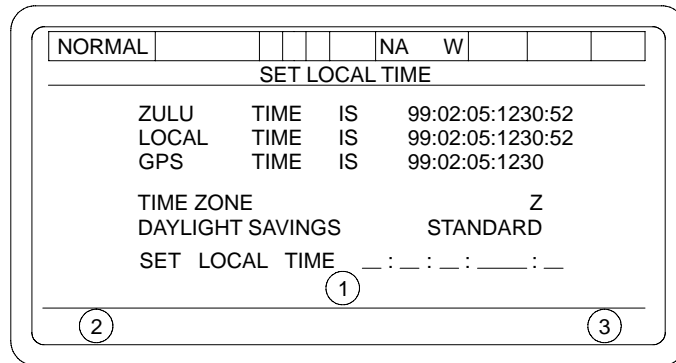
SELECT DAYLIGHT SAVINGS - Enter DAYLIGHT SAVINGS TIME in accordance with unit SOP.

06pc179t

2-12 AFCS INITIALIZATION - CONTINUED

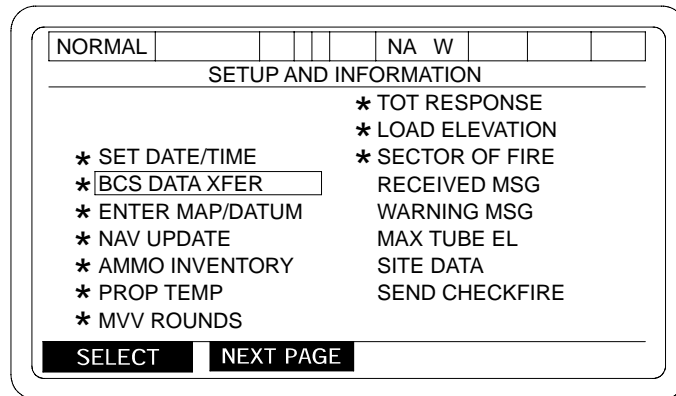
2-12.3 Initialization After an Orderly Shutdown - Continued

Contact the POC by voice radio to obtain the correct date/time data and a MARK. Type in date/time data (year, month, day, hour, minute) as given by the POC. If the data is entered incorrectly a message will be displayed stating "Invalid DTG Value," and you will have to re-enter the data. When this is done, another SET DATE/TIME GROUP menu will be displayed.



06pc180ta

When the BCS operator gives a countdown and announces MARK, press MARK. The AFCS and BCS time should now be synchronized. A SETUP AND INFORMATION menu is then displayed on the DU.



06pc141ma

NOTE

The BCS DATA TRANSFER must be done each time you initialize the AFCS, if the POC/BCS is operational.

- (4) BCS DATA TRANSFER - To obtain current initialization data (current MET, registration data, etc.), select BCS DATA XFER on SETUP AND INFORMATION menu. Press SELECT soft key to display a BCS DATA TRANSFER menu.

2-12 AFCS INITIALIZATION - CONTINUED

2-12.3 Initialization After an Orderly Shutdown - Continued

When SW NORTHING is selected:

NORTHING value of SW Corner of Howitzer Operational Area.

Type 0 to 11000000:

Press ENT key.

When HEMISPHERE is selected:

Select NORTH for above the Equator, SOUTH for below.

CHANGE HEMISPHERE YES NO

Press YES or NO key.

When GRID ZONE is selected:

UTM GRID ZONE of Howitzer Operational Area.

Type 0 to 60:

Press ENT key.

When NE EASTING is selected:

EASTING value of NE Corner of Howitzer Operational Area.

Type 0 to 999999:

Press ENT key.

When NE NORTHING is selected:

NORTHING value of NE Corner of Howitzer Operational Area.

Type 1 to 11000000:

Press ENT key.

When DATUM is selected, SELECT DATUM menu is displayed:

NORMAL					NA W			
SELECT DATUM								
LUZ-A NAS-C NAS-D NAS-E NAS-N OHA-M								
USRDEF								
SELECT					CANCEL			

06pc112m

Box in the correct DATUM and press the SELECT key. The DATUMS available are dependent on the SPHEROID selected. See Table Appendix J AFCS/BCS DATUM AND SPHEROID for SPHEROID/DATUM combinations.

2-12 AFCS INITIALIZATION - CONTINUED

2-12.3 Initialization After an Orderly Shutdown - Continued

NOTE

The reference frame for UTM position coordinates is a DATUM. Typically, a Local DATUM is defined by an ellipsoidal earth model (SPHEROID) and a starting point (origin) for the coordinate system. Coordinates on a map or in a Trig list (SCPs) often are on a Local DATUM. An example of a Local DATUM is the North American 1927 (NAD 27) DATUM used in the United States. There have been many different Local DATUMs developed. GPS computes position on the World Geodetic System 1984 (WGS 84), a worldwide coordinate system. To use GPS with coordinates on a Local DATUM, the coordinates must be mathematically shifted. The AFCS (DRUH and PLGR) can automatically perform DATUM shifting, but first the operator must select the Local DATUM to be used, or provide the appropriate shift parameters. For AFCS operation, Local DATUMs are represented by two sets of parameters: The Local Ellipsoid (SPHEROID) and shift parameters as defined for each Local DATUM (DATUM IDs). The BCS can provide the SPHEROID via the MAP MOD. But the BCS can not provide the Local DATUM. Therefore the operator must enter it. The SPHEROID selected will determine which DATUM IDs will be available for selection. The AFCS/BCS SPHEROID and DATUM TABLE provides the SPHEROID number for the AFCS and BCS, which DATUM IDs that are available for that SPHEROID number and the normal coverage area. Note that there may be more than one DATUM ID associated with a Local DATUM because the shifts vary by locality. For other DATUMs or areas outside the indicated coverage area, User Defined (USDDEF) Datum shifts may be entered manually. The table is not intended as an absolute. A map sheet will identify the DATUM name, Ellipsoid (SPHEROID) name and the coordinate type, or the map sheet will identify the area. The data from a Trig list should identify the same information. These parameters must be correlated to the DATUM ID. If the applicable DATUM ID hasn't been programmed in the AFCS, shift parameters for many other DATUMs and regions have been published in DMA TR 8350.2 and may be entered thru the GPS X, Y and Z offsets. Note that the AFCS can not accept shift parameters for all Datums because its SPHEROID capability is limited to these listed in the AFCS.BCS Table.

2-12 AFCS INITIALIZATION - CONTINUED

2-12.3 Initialization After an Orderly Shutdown - Continued

If the DATUM USR DEF is selected, then the GPS X, Y and Z offsets must be entered. These values must be obtained from the POC and should only be used with guidance from Battery Commander. The ENTER USER DATUM PARAMETERS page should look like:

NORMAL								
NAVIGATION SUBSYSTEM UPDATE								
EASTING	500000							
NORTHING	100							GET CURR NAV POSN
ALTITUDE	0							
GRID ZONE	1							GET LAST ENT POSN
HEMISPHERE	NORTH							GET CURR GPS POSN
SPHEROID	2							NAV POSITION UPDT
DATUM	USRDEF							
SELECT		USE ALL			CANCEL			

06pc144m

When GPS OFFSET is selected:

Type -2000.0 TO +2000.0:
Press ENT key.

When GPS OFFSET Y is selected:

Type -2000.0 TO +2000.0:
Press ENT key.

When GPS OFFSET Z is selected:

Type -2000.0 TO +2000.0:
Press ENT key.

After all the correct data has been entered, press the USE ALL key to clear and return to the main menu.

- (6) NAVIGATION UPDATE - Select NAV UPDATE and press SELECT soft key to display a NAVIGATION SUBSYSTEM UPDATE menu.

NOTE

- If vehicle has not been moved since orderly shutdown, the Navigation Subsystem will initiate a Stored Heading Align, which will be completed in about 90 seconds.
- If vehicle has been moved since orderly shutdown, move vehicle to a survey point and enter survey data.

2-12 AFCS INITIALIZATION - CONTINUED

2-12.3 Initialization After an Orderly Shutdown - Continued

Check data for correctness. If correct, press USE ALL soft key. The prompt, NAV POSITION UPDATE TO START, ARE YOU SURE (YES OR NO), will be displayed. Make proper selection. Press the YES key to RESTART the Navigation Subsystem and display the SETUP AND INFORMATION menu.

Press the NO key to redisplay Navigation Subsystem Update menu. Make corrections or press CANCEL to display SET UP AND INFORMATION menu.

NORMAL									
NAVIGATION SUBSYSTEM UPDATE									
EASTING	500000								
NORTHING	100							GET CURR NAV POSN	
ALTITUDE	0								
GRID ZONE	1							GET LAST ENT POSN	
HEMISPHERE	NORTH							GET CURR GPS POSN	
SPHEROID	2							NAV POSITION UPDT	
DATUM	USRDEF								
SELECT		USE ALL			CANCEL				

06pc144m

- (7) AMMO INVENTORY - Select AMMO INVENTORY on the SETUP AND INFORMATION menu. Press SELECT soft key to display INVENTORY MANAGEMENT menu.

NORMAL									
INVENTORY MANAGEMENT									
- INVENTORY UPDATE REQUIRED -									
UPDATE SHELL INVENTORY									
UPDATE PROP INVENTORY									
UPDATE FUZE INVENTORY									
PRESS FINISHED TO INDICATE INVENTORY UPDATE COMPLETE									
SELECT		FINISHED			CANCEL				

MESSAGE ONLY APPEARS
IF FIRE MISSION
RECEIVED BEFORE
OPERATOR VERIFIED
AMMO FROM PREVIOUS
MISSION

06pc145m

NOTE

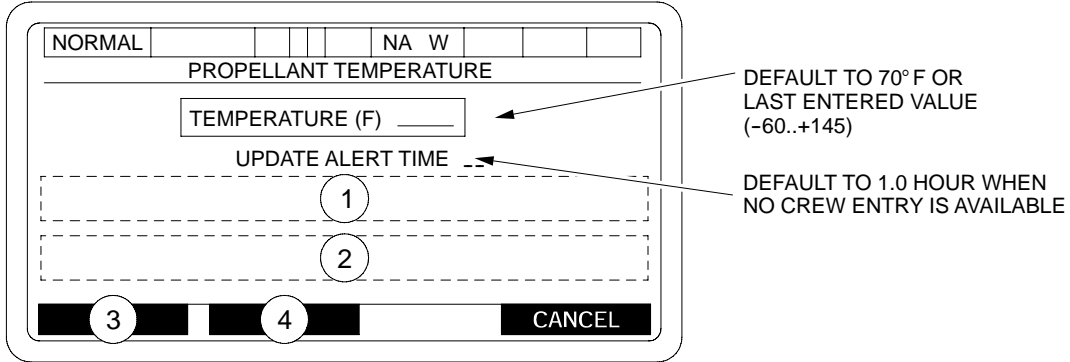
If a fire mission is activated while in any of the ammunition inventory sub-menus, all valid complete entries shall be saved.

If the ammunition inventory is current, press FINISHED soft key to display the SETUP AND INFORMATION menu. If ammunition inventory is not current, to enter ammunition data, refer to para 2-12.2.

2-12 AFCS INITIALIZATION - CONTINUED

2-12.3 Initialization After an Orderly Shutdown - Continued

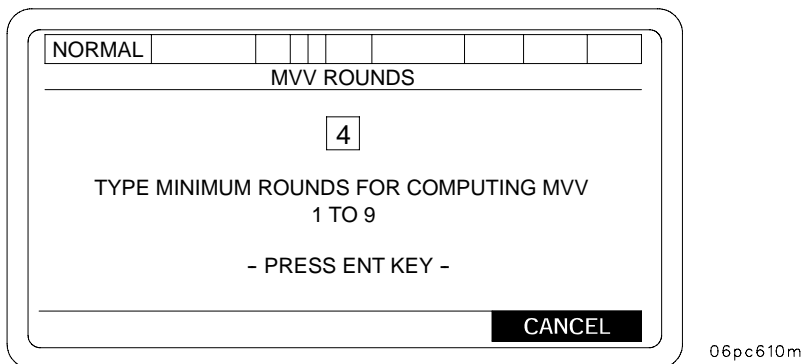
- (8) PROPELLANT TEMPERATURE - Select PROP TEMP on SETUP AND INFORMATION menu. Press SELECT key to display a PROPELLANT TEMPERATURE menu.



- 06pc146m
- ① TIME TO GO XX:XX (HOURS:MINUTES) OR TIME EXCEEDED
 - ② WHEN TEMPERATURE SELECTED
TYPE TEMPERATURE IN FAHRENHEIT
DEGREES -60 TO +145
- PRESS ENT KEY -
WHEN UPDATE ALERT TIME SELECTED
TYPE UPDATE TIME IN 0.5 HOUR
INCREMENTS 0.5 TO 2.0
- PRESS ENT KEY -
 - ③ BLANK - WHEN TEMPERATURE OR UPDATE ALERT TIME SELECTED
SELECT - WHEN ITEM IS NOT SELECTED
 - ④ USE ALL - WHEN NO ITEM IS SELECTED
+/- WHEN TEMPERATURE IS SELECTED
BLANK - WHEN UPDATE ALERT TIME IS SELECTED

- (9) MUZZLE VELOCITY VARIANCE (MVV) - To set the MINIMUM number of rounds that will be used in calculating muzzle velocity variances, select the MVV ROUNDS from the SETUP AND INFORMATION screen.

- NOTE: 1. The entry field will display the current MVV rounds selected and will default to 4 on systems initialization.
2. To use the MVV, you must have an extended lot code in the AFCS inventory.



2-12 AFCS INITIALIZATION - CONTINUED

2-12.3 Initialization After an Orderly Shutdown - Continued

If displayed temperature and update alert time are correct, press USE ALL key. If another temperature or alert time entry is necessary, box the desired item and press SELECT key. Type in new temperature or alert time and press ENT key. When entries are correct, press USE ALL key. The SETUP AND INFORMATION menu will be displayed.

- (10) TOT RESPONSE - To access the TOT RESPONSE menu, press NEXT PAGE key to display next page of SETUP AND INFORMATION menu.

Select TOT RESPONSE and press SELECT to display a TOT RESPONSE menu.

Type in desired time to be used and press ENT key. The SETUP AND INFORMATION menu will be displayed.

06pc135m

- (11) Select LOAD ELEVATION on the SETUP AND INFORMATION menu. Press SELECT key to display a TUBE LOAD ELEVATION menu.

CAUTION

Do not enter an elevation greater than 300 mils. Settings above 300 mils may result in breech failing to close and could cause unnecessary wear on spring pack.

NUMERIC FIELD LOAD ELEVATION -200..1333 MILS DEFAULT TO CURRENT LOAD ELEVATION

hipc4047

If load elevation shown is the desired elevation, press ENT key. If a new elevation is desired, type in desired elevation and then press ENT key. The SETUP AND INFORMATION menu will be displayed.

2-12 AFCS INITIALIZATION - CONTINUED

2-12.4 Initialization After a Catastrophic Failure.

- a. If a catastrophic failure (e.g., sudden loss of power of PCU) occurs, it is possible that no data at all will be saved by the AFCS. In this case, a step-by-step-system initialization must be done.

NOTE

- Position data must be recorded prior to pressing ARRIVED key during emplacement. If time permits the crew should also set out collimator or select a DAP and set 3200 Deflection on the PANTEL on Center of Sector (Base Azimuth).
 - To be able to react quickly to re-initialize a failed AFCS, a Platoon SOP voice request procedure from crew to POC to send all required data messages from BCS may be helpful. Data that would be useful from BCS are: INITIALIZATION (Subscriber File, Map Mode, MET, Registration), MUZZLE VELOCITY, Current Position (to include Sector of Fire) and Propellant Temp (PIECE STATUS), SITE STATUS, and AMMO STATUS.
- b. Getting Data. To return to Section in Order as fast as possible after a catastrophic failure of the AFCS, return the tube to travel lock before shutting AFCS power off. Wait about 5 seconds, then turn AFCS power on. Begin the Initialization process as normal, working off the * menu items on the SETUP AND INFORMATION menus. If BCS has current data, get as much data as you can from BCS. This data can be obtained as follows:
- (1) Box BCS DATA XFER on the SETUP AND INFORMATION menu and press SELECT key. The INITIALIZATION item under the GET column will be boxed as usual. Press YES to transmit the request for INITIALIZATION data (Subscriber File, Map Mode, MET and Registration).
 - (2) Next, box MUZZLE VELOCITY under the GET column and press SELECT key. Press YES key to transmit the request to BCS.

NOTE

The AFCS automatically uses the Muzzle Velocity data sent by BCS. No further action is necessary by the crew.

- (3) Repeat the last step for PIECE STATUS, SITE STATUS, and AMMO STATUS.
- (4) Once all requests have been sent, press CANCEL key to move to the next initialization step on the SETUP AND INFORMATION menu.

2-12 AFCS INITIALIZATION - CONTINUED

2-12.4 Initialization After a Catastrophic Failure - Continued

c. Nav Update.

- (1) Use your current position data that you recorded upon emplacement.
- (2) If POC has a current location where the failure occurred, use that data for navigation initialization. To use position data obtained from BCS in the step above, box NAV UPDATE on the SETUP AND INFORMATION menu, press SELECT key and a NAV SUBSYSTEM UPDATE menu will be displayed. Box GET BCS PRPT POSN and press SELECT key. Press USE ALL key, and AFCS will use the BCS reported position data and return to the SETUP AND INFORMATION menu.
- (3) Another howitzer with an operational DRUH and AFCS can pull into failed howitzer's position (left hub to left hub) and provide navigation data to be entered on the keyboard.

NOTE

If no BCS-provided Move Order is expected after AFCS initialization, then the Sectors of Fire must be changed to those provided by the BCS prior to the failure. Sector of Fire entries must be completed prior to inputting a manual Move Order.

- (4) The failed howitzer can be taken to a surveyed point and navigation initialized from survey data.

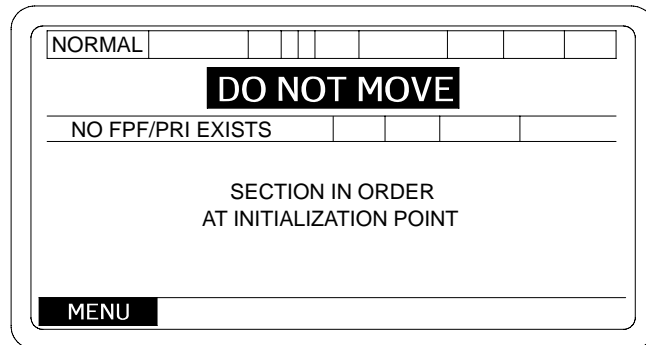
- d. Ammo Inventory. To use ammunition inventory data obtained from BCS in the step above, box AMMO INVENTORY on the SETUP AND INFORMATION menu, press SELECT key and INVENTORY MANAGEMENT menu will be displayed. Box EDIT BCS PROVIDED and press SELECT key. When the FINISHED key is pressed the ammunition inventory shall be reviewed to insure each group of projectiles has at least one propellant and each group of propellants has at least one projectile. If a projectile is found without a propellant or a propellant without a projectile, AFCS will display PROJECTILE/PROPELLANT MISMATCH menu. Pressing the CONTINUE Softkey on this menu will return operator to the INVENTORY MANAGEMENT menu, at which time the operator has to update SHELL/PROP inventory. On the next INVENTORY MANAGEMENT menu, press FINISHED to accept the BCS PROVIDED data. If you want to check the ammo inventory for accuracy, then box and select UPDATE SHELL, UPDATE PROP, and UPDATE FUZE one at a time (para 2-12.2 (5)).
- e. Site Definition. To use Site data obtained from BCS in the step above, box SITE DATA on the SETUP AND INFORMATION menu, press SELECT key and SITE DEFINITION menu will be displayed. Box GET BCS SITE and press SELECT key (This option will only be available if the POC has sent an AFU mask to the AFCS). Press USE ALL, and the BCS provided Site Data will be used by the AFCS.

2-13 AFCS TRAVEL MODE.

During the travel mode the navigation system provides a continuous position data display to the operator. The data displayed on the EL Panel will show UTM coordinates for both position and destination. Also included is a graphic display showing where the vehicle is traveling in relation to destination. After alignment, the AFCS will automatically go into travel mode when the howitzer starts to move.

2-13.1 Movement.

Once the howitzer has been initialized and the navigation system has had time to align, a CANCEL SOFTKEY will appear on the main menu. To view a SECTION IN ORDER AT INITIALIZATION POINT screen, press the CANCEL SOFTKEY



06pc148m

NOTE

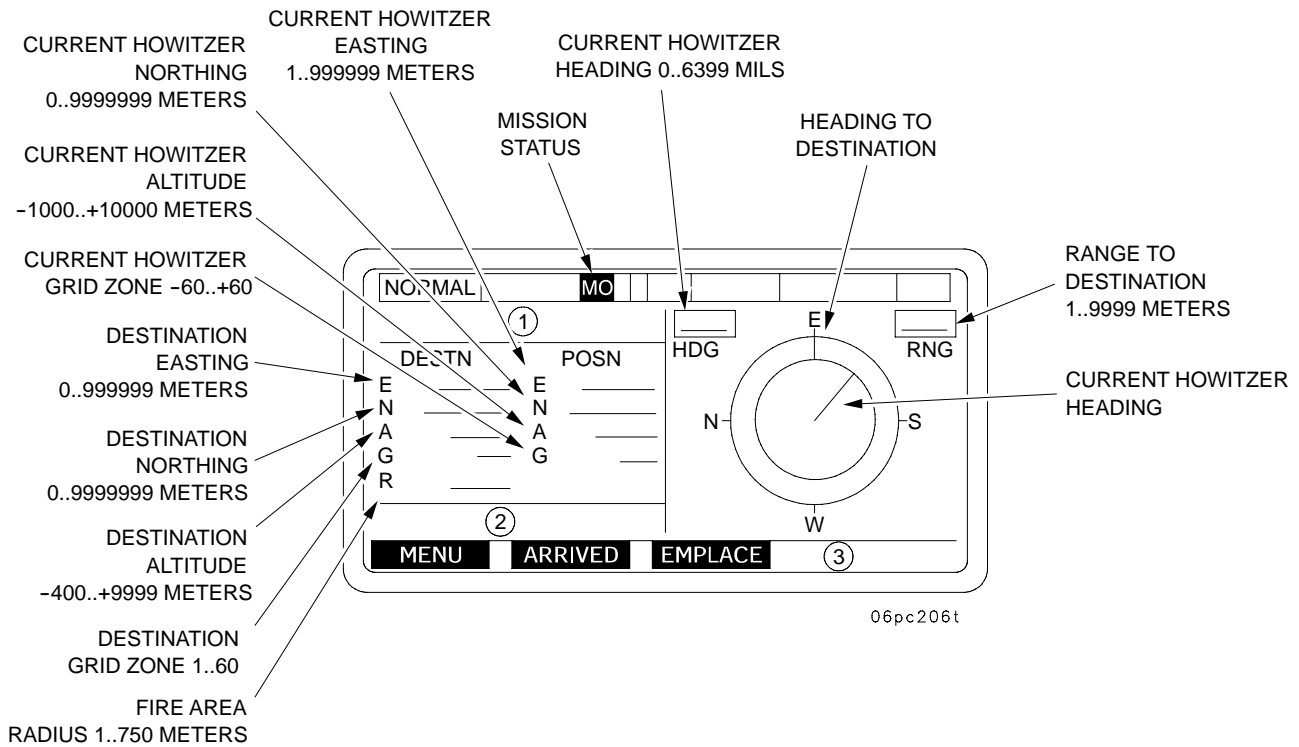
- DO NOT MOVE the howitzer until you see OK TO MOVE OR SHOOT, ACK message.
- You may then move the howitzer or accept fire missions, but you can expect ZUPT requests during moves if the ALN_ _ _S is still counting down.

2-13.1.1 Move Order. Upon receipt of a Move Order, an audio alert will sound and an OPERATOR ALERT and a STEERTO/EMPLACEMENT screen will automatically appear if the system display was at a SECTION IN ORDER screen. If the SET UP AND INFORMATION screen is displayed a MOVE ORDER alert will appear in field 3 of the screen, and an OPERATOR ALERT, "MOVE MISSION", "ACK", will be displayed and the CANCEL soft key must be pressed to display the STEERTO/EMPLACEMENT screen. Once the vehicle has moved about 25 meters an audible and soft key alert "PRESS ACK WHEN TUBE STOWED, ACK" will be displayed. Acknowledge the tube is stowed and press "ACK" soft key.

2-13 AFCS TRAVEL MODE - CONTINUED

2-13.1 Movement - Continued

STEERTO display screens:

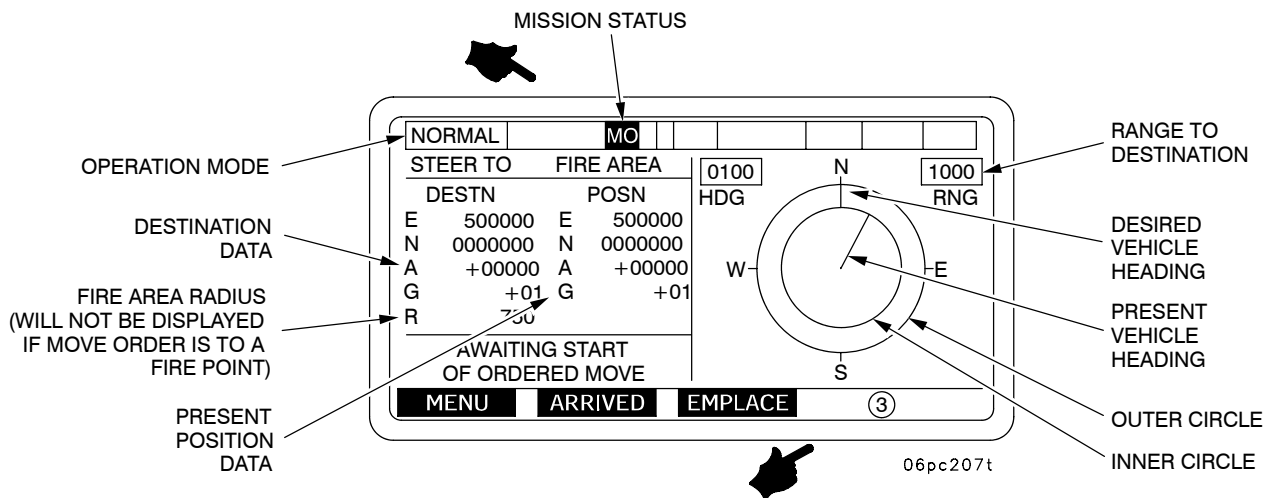


2-13 AFCS TRAVEL MODE - CONTINUED

2-13.1 Movement - Continued

The STEER TO FIRE AREA screen contains the following:

- a. MO - Describes Move Order status.
- b. Deleted.
- c. DESTN - Indicates destination coordinates: (E) Easting, (N) Northing, (A) Altitude, (G) Grid Zone, (R) Radius of operating area,
- d. POSN - Indicates present howitzer position: (E) Easting, (N) Northing, (A) Altitude, (G) Grid Zone.
- e. HDG - Howitzer's numerical heading in Mills (Azimuth).
- f. RNG - Range to destination in radial distance.
- g. Graphic Display - N, E, S, W on outer circle, indicates North, East, South and West and rotates like a compass. The line running from the center of display to edge of the inner circle indicates present vehicle heading. The line between the inner and outer circle indicates the desired heading. When these two lines are aligned, the vehicle is traveling toward destination.



2-13 AFCS TRAVEL MODE - CONTINUED

2-13.1 Movement - Continued

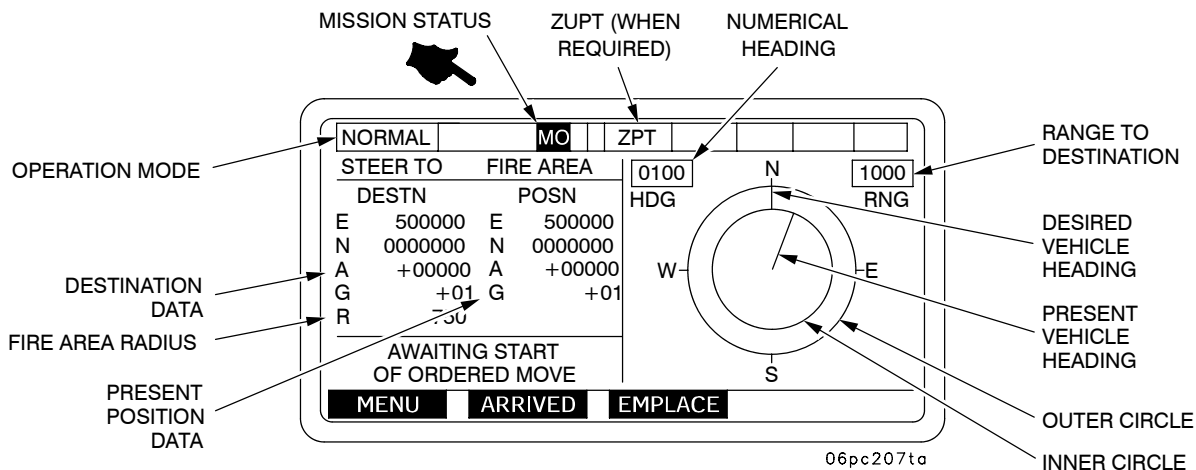
2-13.1.2 Moving. During movement of the howitzer, the STEER TO FIRE AREA screen will assist the operator in locating his destination. While the howitzer is on the move, the following will occur:

- The graphic portion of the display will indicate the howitzer's movement by the outer circle of the display moving according to the vehicle heading. The line from center of the display to the inner circle will move as the howitzer changes directions.
- The alphanumeric portion of the display under POSN will provide the operator with his current position constantly. The display above HDG will change as the howitzer changes headings and the display above RNG will change to indicate whether the movement is away from destination (increase) or toward destination (decrease).
- Navigation system update may occur (zero velocity update) to maintain location accuracy.

2-13.1.3 Zero Velocity Updates. "Periodic Zero Velocity Updates (ZUPT) may be required if the VMS fails or is out, and the GPS is not valid. ZUPTs are required to increase the accuracy of the Navigation Subsystem. To insure proper Navigation Subsystem Operation and to maintain system performance accuracies, ALL Requested ZUPTs must be honored." When an update is required, the AFCS will notify the operator with an audible alert and "ZPT" will appear in Field 6 and a soft key alert "ZUPT REQUIRED", "ACK". To accomplish a ZUPT, perform the following steps:

- Stop the vehicle as soon as possible after the alert (the less time traveled between each ZUPT, the better the system accuracy).
- Press ACK key to acknowledge operator alert.
- Remain stopped until ZUPT is complete. ZUPT is done automatically during this period.

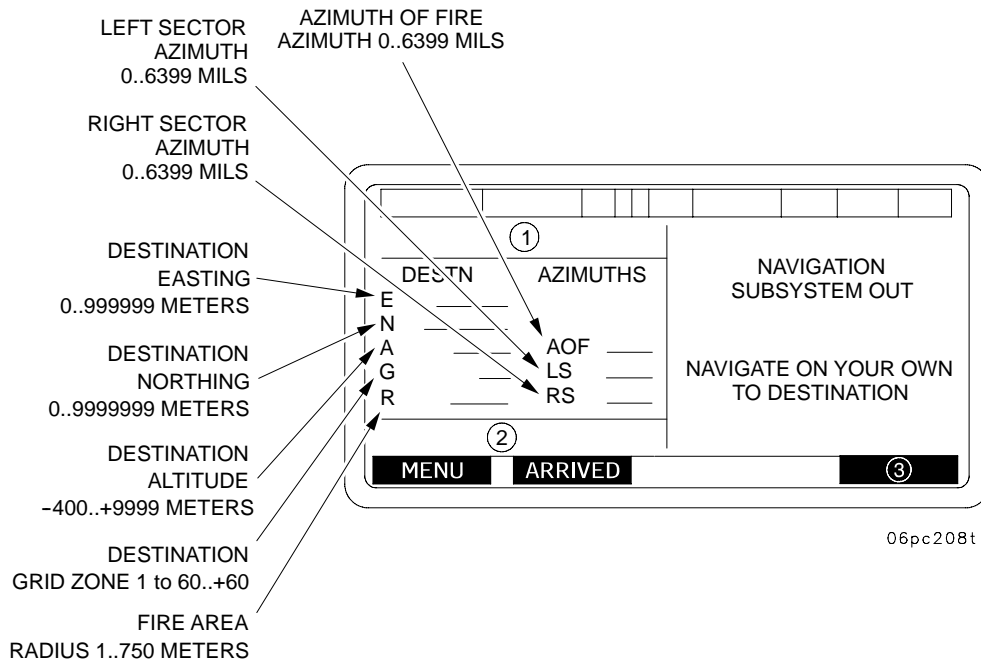
When the ZUPT is complete, another operator alert will be displayed, "ZUPT NO LONGER REQUIRED", "ACK". "ZPT" is no longer displayed in status line. Press ACK key, then vehicle movement can be continued.



2-13 AFCS TRAVEL MODE - CONTINUED

2-13.1 Movement - Continued

2-13.1.4 Moving with Navigation System Degraded. If a navigation system failure occurs while the howitzer is moving, the operator will be alerted visually with a NAVIGATE ON YOUR OWN TO DESTINATION display. The chief of section must use established navigation procedures to reach the destination shown. If only the PLGR is operational there will be no HDG information on the display.



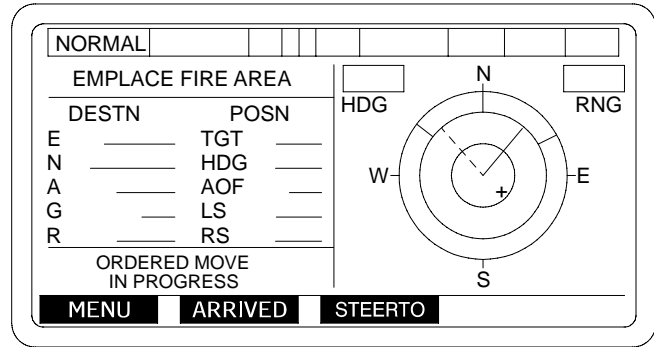
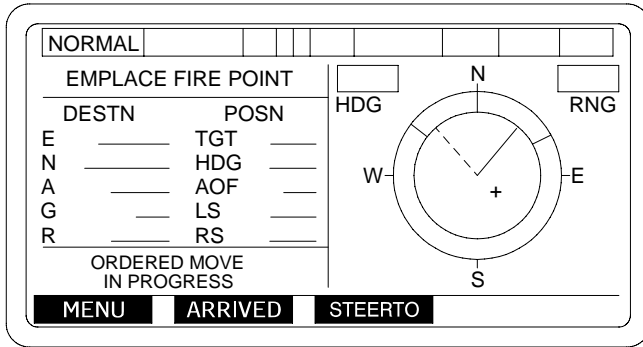
- 1 "DEGRADED FIRE AREA" - Destination Is Fire Area
 "DEGRADED INIT POINT" - Destination Is Initialization Point
 "DEGRADED LOG POINT" - Destination Is Logistics Point
 "DEGRADED FIRE POINT" - Destination Is Fire Point
- 2 "ORDERED MOVE N PROGRESS"
 "STOP MOVING AND WAIT"
 "MOVE IN PROGRESS"
 "NO AUTHORITY OR ORDERS TO MOVE"
 "AWAITING START OF ORDERED MOVE"
 "DO NOT START ORDERED MOVE"
- 3 "MOVING" soft key only appears when the Navigation System is DEGRADED. Press "MOVING" soft key after vehicle starts moving. Press "ARRIVED" key when vehicle has arrived at destination.

2-13 AFCS TRAVEL MODE - CONTINUED

2-13.2 Emplacement Fire Point/Fire Area.

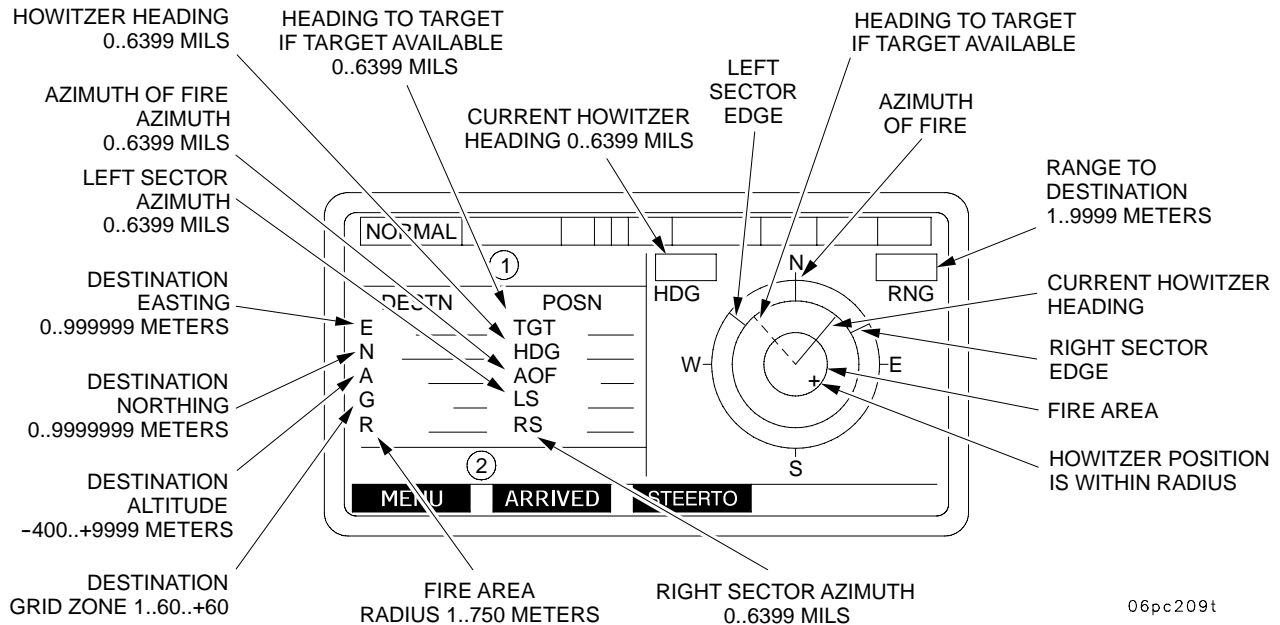
When the howitzer enters the radius the AFCS will display the Emplacement at a FIRING AREA/POINT screen depending on type of MOVE ORDER received.

The EMPLACE FIRE POINT screen is also used for DESTINATION TYPES, INITIALIZATION POINT and LOGISTICS POINT emplacement.



06pc209ta

EMPLACE FIRE AREA Screen - The data on the EMPLACE FIRE AREA screen is the same as the STEER TO FIRE AREA screen with the following exceptions:



06pc209t

- ① "EMPLACE FIRE AREA" - Destination Is Fire Area
- "EMPLACE INIT POINT" - Destination Is Initialization Point
- "EMPLACE LOG POINT" - Destination Is Logistics Point
- "EMPLACE FIRE POINT" - Destination Is Fire Point
- ② "ORDERED MOVE IN PROGRESS"
- "STOP MOVING AND WAIT"

2-13 AFCS TRAVEL MODE - CONTINUED

■ 2-13.2 Emplacement Fire Point/Fire Area - Continued

- a. Plus Sign - Represents the vehicle. When the vehicle is within the allowable move area assigned by the Platoon Operation Center (POC), the "+" will appear on the display. As the vehicle moves, the plus sign will also move, indicating direction of travel.
- b. Inner Circle - Represents the Allowable Movement Area and will vary in size. This is determined by the radius of the Fire Area and is assigned by POC with a Move Order. This circle is an Emplacement Aid.

NOTE

- If EMPLACEMENT screen was accessed prior to arriving at next firing area the EMPLACEMENT screen may not display automatically.
 - Once the vehicle is within the inner circle (shown by the + sign) the CHIEF OF SECTION may choose his emplacement position to take advantage of terrain features.
- c. The line running from middle circle to outer circle between N and E represents Right Sector of Fire and the line between N and W represents Left Sector of Fire. The line under N represents Azimuth of Fire. The sector of fire is assigned by POC with the Move Order.
 - d. Solid Line - Represents the current heading. It extends from the center of the smallest circle to the edge of the middle circle. When this line is aligned with the line under the "N," the vehicle is travelling toward the ordered destination.
 - e. Dotted Line - Represents the gun-target line to a Final Protective Fire (FPF) target (if stored on AFCS) and is designated by the POC.
 - f. Destination - Represented by the intersection of the solid line and the dotted line at the center of the smallest circle.
 - g. Azimuths - Display of azimuths in Mils to TGT (FPF target if one exists), HDG (present howitzer heading), AOF (Azimuth of Fire), LS (Left Sector of Fire), RS (Right Sector of Fire).

2-13 AFCS TRAVEL MODE - CONTINUED

2-13.2 Emplacement Fire Point/Fire Area - Continued

2-13.2.1 Emplacing. Once the plus sign is within the designated firing area the howitzer has reached it's destination. The howitzer is then maneuvered until vehicle heading (solid line from the center of the smallest circle to the edge of the middle circle) is aligned as closely as possible with the Azimuth of Fire Line (center solid line between the middle and outer circle). When these lines are aligned, the howitzer is roughly laid on the Azimuth of LAY.

NOTE

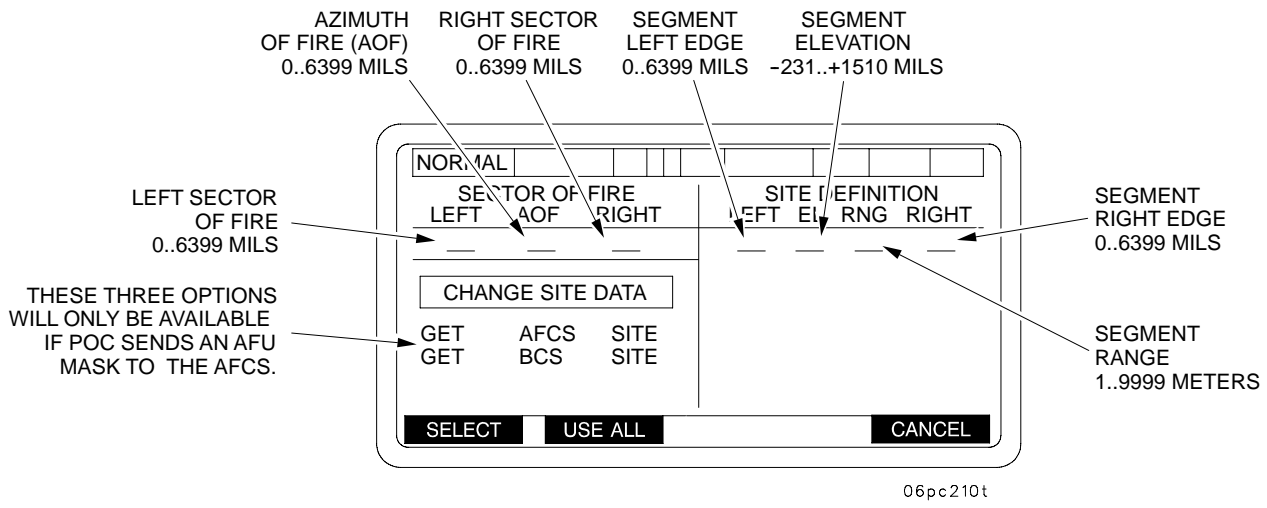
- DRUH position data improves approximately 30 seconds after the howitzer is stopped. The chief of section has the option of awaiting this time and then pressing the ARRIVED soft key to achieve optimum positioning data. However, this option should not be considered during an emergency fire mission. (EMERGENCY MISSION)
- Before pressing ARRIVED key you must record your position data and Azimuth of Fire (Base Azimuth) in case the AFCS fails.
- If cab-side VMS modem is disconnected and position data is not available from the PLGR, the DRUH position data will degrade even though the howitzer is not moving. This data may degrade to the point where the navigation subsystem will be declared out.
- The soft key under ARRIVED on the MOVE ORDER screen must be pressed before the gun tube is unstowed from travel lock. This action establishes the TUBE STOW (travel lock) position. Pressing the STOW key will move the tube back to this azimuth.
- If EMPLACEMENT screen was accessed prior to arriving at next firing area the EMPLACEMENT screen may not display automatically.
- Once the vehicle is within the inner circle (shown by the + sign) the CHIEF OF SECTION may choose his emplacement position to take advantage of terrain features.

2-13 AFCS TRAVEL MODE - CONTINUED

2-13.2 Emplacement Fire Point/Fire Area - Continued

- When emplacing the howitzer, the Azimuth of Fire (Azimuth of LAY) from the Move Order is the azimuth the AFCS holds as the “Base Azimuth” (the 3200 deflection reference position). This is the azimuth used by the AFCS to compute ballistic data, and is also sent to the BCS in the PIECE STATUS (HOW: UPDATE) message for ballistic computations at the BCS.
- When emplacing at a FIRING POINT the howitzer range must be 50 meters or less. (Optimum 10 meters or less)

Press the ARRIVED soft key on the EMPLACE FIRE AREA or Fire Point Site Definition screen to display a SITE DEFINITION screen. Take the tube out of travel lock.



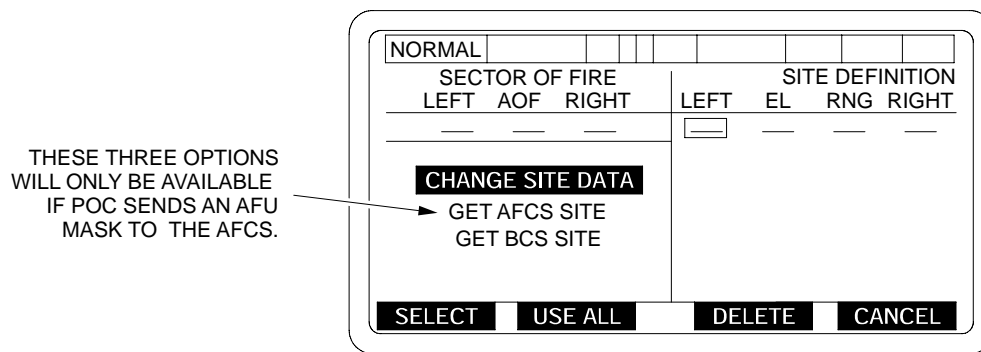
AUTOMATIC SELECTION, “BOXING” will occur starting from field LEFT and then continuing from LEFT to RIGHT, to field EL RNG and RIGHT, after each previous entry has been ENTERED.

2-13 AFCS TRAVEL MODE - CONTINUED

2-13.2 Emplacement Fire Point/Fire Area - Continued

2.13.2.3 SITE DATA Identifies left and right limits, range and elevation in mils, and is used to ensure that all rounds clear crests within the howitzer's SECTOR OF FIRE. Up to eight sets of site definition data can be entered. Site definition data is determined using the same procedures as SITE TO CREST (sighting through the cannon tube). This data is entered using the SITE DEFINITION screen as follows:

- a. Obtain SECTOR OF FIRE data from POC. Normally Azimuth of Fire, Left and Right Sector limits will be provided by the POC in the Move Order and will be displayed automatically on the SITE DEFINITION menu on the left side of the screen under LEFT AOF RIGHT headings.
- b. Press the DELETE key to remove SITE DATA from previous occupation. Box in limit under column to be changed and press the SELECT key.



06pc158ma

- c. One Line SITE DATA (For Initial Occupation). Pressing the ARRIVED key the COS must obtain One Line SITE DATA. AFTER removing the gun tube from the travel lock the COS brings the cursor box to the left limit and presses SELECT, then traverses the gun tube to the left while monitoring the Azimuth readout until he reaches at least one mil beyond the Left limit then press ENTER. While the GUNNER sights through the gun tube the COS elevates or depresses the gun tube to obtain immediate crest. COS brings the cursor box to the Right limit and presses SELECT then COS traverses the gun tube to the Right limit while the GUNNER sights through the gun tube. COS elevates gun tube upon the COMMAND "Elevate" from the GUNNER when the GUNNER needs to clear an obstruction until the COS reaches the Right limit while monitoring the Azimuth readout, then presses ENTER. Before moving the gun tube, COS then cursors to the entry under EL, presses SELECT and ENT to obtain elevation to immediate Crest. COS then cursors to entry under Range, presses SELECT and ENT and inputs RANGE TO CREST from the numeric keypad and presses ENT. Upon completion of One Line SITE DATA the COS then presses USE ALL to input MIN QE.

2-13 AFCS TRAVEL MODE - CONTINUED

2-13.2 Emplacement Fire Point/Fire Area - Continued

NORMAL									
SECTOR OF FIRE					SITE DEFINITION				
LEFT	AOF	RIGHT			LEFT	EL	RNG	RIGHT	
---	---	---			---	---	---	---	
TYPE MINIMUM FIRING QE IN MILS -231 TO 1510 -PRESS ENTER KEY-									
1333									
					+/-				

06pc215t

Pressing the ENTER key will display SECTION IN ORDER menu. During NORMAL OPERATIONS the last value entered shall be displayed.

- d. MINIMUM QUADRANT ENTRY. Upon completion of One Line SITE DATA, press USE ALL and a display will appear in the left side of the SITE DEFINITION screen. Enter the MIN QE obtained from the POC for the current position. Upon voice verification of the MIN QE with the POC, press the ENT key. This will display the SECTION IN ORDER at FIRING AREA/POINT screen.
- e. Send piece status to POC.

NOTE

COS will obtain MAX QE and send updated piece status to POC (see para 2-15.7.2.1).

2.13.2.3.1 SITE DEFINITION screen display. With the GUNNER sighting through the tube the COS elevates or depresses the gun tube to obtain immediate Crest. COS traverses right while the GUNNER looks through the gun tube. When an obstruction appears, data for the Left limit SITE DEFINITION can be entered by pressing the ENT key. The SITE DEFINITION screen with Left Azimuth will be displayed. perform steps d and e to establish 6400 mils SITE DEFINITION.

NOTE

This procedure is conducted as part of Position Improvement.

2-13 AFCS TRAVEL MODE - CONTINUED

2-13.2 Emplacement Fire Point/Fire Area - Continued

CURRENT TUBE AZIMUTH AND ELEVATION IS DISPLAYED WHEN SELECT IS PRESSED. AS THE TUBE IS MOVED THE AZIMUTH AND ELEVATION DISPLAY WILL BE UPDATED. NOT PRESENT IF NAV DEGRADED

ELEVATION ENTRY ONLY

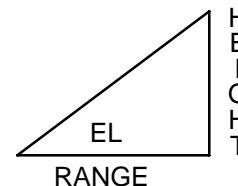
06pc211t

1 THE FOLLOWING PROMPTS ARE DISPLAYED DEPENDING ON WHICH FIELD IS SELECTED:

<p>WHEN "LEFT" IS SELECTED MOVE TUBE OR TYPE LEFT EDGE OF SITE IN MILS: 0000 TO 6399 -PRESS ENT KEY-</p>	<p>WHEN "EL" IS SELECTED MOVE TUBE OR TYPE ELEVATION OF SITE IN MILS: -231 TO 1510 -PRESS ENT KEY-</p>
<p>WHEN "RNG" IS SELECTED TYPE RANGE TO SITE IN METERS: 0001 TO 9999 -PRESS ENT KEY-</p>	<p>WHEN "RIGHT" IS SELECTED MOVE TUBE OR TYPE RIGHT EDGE OF SITE IN MILS: 0000 TO 6399 -PRESS ENT KEY-</p>

NOTE: MASK HEIGHT CANNOT EXCEED 10,000 METERS, THEREFORE:

- (A) UPPER LIMIT ON RANGE WILL CHANGE DEPENDING ON CURRENT MASK ELEVATION
- (B) UPPER LIMIT ON ELEVATION WILL CHANGE DEPENDING ON CURRENT MASK RANGE



NOTE: WHEN CURRENT TUBE POSITION IS USED TO SET MASK ELEVATION:
 IF THE RANGE FIELD CONTAINS AN ENTRY WHICH RESULTS IN A MASK EXCEEDING 10,000 METERS, THE RANGE FIELD WILL BE RESET TO THE MAXIMUM ALLOWED VALUE AND THE FOLLOWING MESSAGE WILL BE DISPLAYED: **"WARNING - RANGE SET TO MAXIMUM", "ACK"**

AUTOMATIC SELECTION, "BOXING" will occur starting from field LEFT and then continuing from LEFT to RIGHT, to field EL, RNG, and RIGHT, after each previous entry has been ENTERED.

2-13 AFCS TRAVEL MODE - CONTINUED

2-13.2 Emplacement Fire Point/Fire Area - Continued

NOTE

Numerical value must be entered before sign. Default sign is (+).

- Select next limit column (EL) to display Elevation SITE DEFINITION screen. Enter elevation data in the same manner as left limit (type in data or use gun tube position). If elevation is below zero, press +/- key to place minus sign in front of numbers to be entered (used only when typing in data). Press ENT key.

06pc212t

- Select next limit column (RNG) to display the Range SITE DEFINITION screen. Enter range to crest and press ENT key. (Data for this must be typed in; gun tube position cannot be used.)

06pc213t

2-13 AFCS TRAVEL MODE - CONTINUED

2-13.2 Emplacement Fire Point/Fire Area - Continued

- c. Select next limit column (RIGHT) to display the right limit SITE DEFINITION screen. Data for this limit can be typed in, or use tube position. Enter data by pressing ENT key.

NORMAL										
SECTOR OF FIRE					SITE DEFINITION					
LEFT	AOF	RIGHT				LEFT	EL	RNG	RIGHT	
_____	_____	_____				_____	_____	_____	_____	
MOVE TUBE OR TYPE RIGHT EDGE OF SITE IN MILS: 0000 TO 6399 -PRESS ENTER KEY-										
					DELETE		CANCEL			

06pc214t

- d. Using arrow key, move cursor box to next available line and to the left and identify next obstruction.
- e. Sequence can be repeated as many as seven times if needed.

2-13.2.4 SECTION IN ORDER. When all data is correct, press ENTER key. This will bring up a SECTION IN ORDER WITHIN FIRE AREA or SECTION IN ORDER AT FIRE POINT screen depending on whether the Move Order was a move to a FIRE AREA or FIRE POINT. An ordered move of any other type would be indicated as such in field 11 of the menu.

NOTE

When SECTION IN ORDER screen is displayed, the commanded deflection (CMD DEFL) may be either:
 1) the Azimuth of Fire (Azimuth of LAY) from the Move Order, expressed at 3200 deflection. Since this is also the "Base Azimuth" position (the difference between the 3200 reference and the ordered Azimuth of LAY); or 2) if a Final Protective Fire (FPF) or Priority (PRI) target has been designated by the POC, the CMD DEFL will be the deflection from "Base Azimuth" to the FPF; or 3) when a Manual Move Order has been done, the CMD DEFL is the default Azimuth of Fire (Base Azimuth) entered upon initialization.

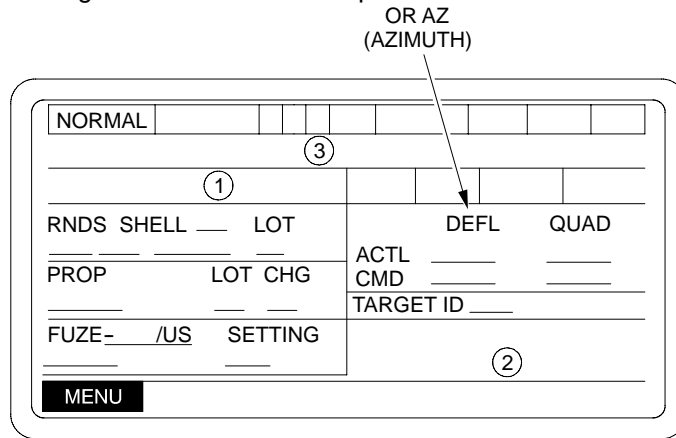
2-13 AFCS TRAVEL MODE - CONTINUED

2-13.2 Emplacement Fire Point/Fire Area - Continued

2-13.2.4 SECTION IN ORDER - Continued

NOTE

LOAD/LAY and STOW will not be displayed unless the gun switch is in the ON position.



06pc157tb

2-13.2.5 Establish Distant Aiming Point or Set Collimator (Optional).

NOTE

If time permits, the crew should set out collimator or select a DAP and set the PANTEL with the tube "Base Azimuth". If this is not possible immediately, traverse back to "Base Azimuth" using one of the following procedures based on the conditions indicated on the SECTION IN ORDER screen.

- a. Use this procedure when the CMD DEFL reads 3200 deflection and there is no FPF nor PRIORITY (PRI) target displayed on the SECTION IN ORDER screen. Under these conditions, CMD DEFL is using the Azimuth of Fire (Base Azimuth). To move the tube to Base Azimuth, 1) Turn on hydraulic power, 2) Set GUN SERVO switch to ON, and 3) Press/hold the LOAD key until the LOAD indicator is highlighted in the upper right corner of the screen. Tube is now laid on Azimuth of Fire (Base Azimuth) and both the ACTL DEFL and CMD DEFL should read 3200. 4) Sight onto the Collimator or the DAP and set 3200 Deflection on the PANTEL.

2-13 AFCS TRAVEL MODE - CONTINUED

2-13.2 Emplacement Fire Point/Fire Area - Continued

2-13.2.5 Establish Distant Aiming Point or Set Collimator (Optional) - Continued

- b. Use this procedure when the CMD DEFL shows a deflection other than 3200 and there is either an FPF or PRIORITY (PRI) target displayed on the SECTION IN ORDER screen. The CMD DEFL is the Firing Azimuth for the FPF/PRI target, so the LOAD key cannot be used to move the tube to 3200 deflection. Under these conditions, 1) use the Hydraulic Power Handle Controls to traverse the tube until the ACTL DEFL reads 3200 deflection. Tube is now laid on Center of Sector (Base Azimuth). 2) Sight onto the Collimator or the DAP and set 3200 Deflection on the PANTEL.

NOTE

If the AFCS fails, use the Azimuth of Fire recorded during emplacement as Azimuth of Lay (Base Azimuth) and use reciprocal lay procedures with the aid of an operational howitzer.

2-13.2.6 Final Laying of Gun Tube at FIRING AREA. It is necessary to lay the gun tube on the Azimuth of Fire (from MOVE ORDER) or the FPF/PRI azimuth/deflection. The SECTION IN ORDER screen will show a difference between the ACTL DEFL and the CMD DEFL. The ACTL and CMD values must be the same for the gun tube to be laid. To accomplish this: 1) set GUN SERVO switch to ON, and 2) depress and hold LOAD key (para 2-11.2). The gun will traverse to the CMD DEFL (match ACTL and CMD) and to the LOAD ELEVATION stored at initialization. When the LOAD indicator is highlighted, release the LOAD key.

2-14 AFCS SECTION IN ORDER.

When the AFCS has been properly initialized, the howitzer is then moved to a FIRE AREA. Upon arrival at the FIRE AREA the howitzer is emplaced at a FIRE AREA at which time SITE and MIN QE DATA is entered into the AFCS. Once the data is correctly entered, a SECTION IN ORDER AT FIRE AREA screen is displayed. The howitzer and crew are now ready to receive and carry out a fire mission. If time permits, a DAP is selected and the PANTEL is set for 3200 deflection on the Base Azimuth. For position improvement establish alternate Aiming Points (DAP/Collimater), verify Boresight and enter MAX TUBE EL.

The diagram shows a rectangular screen interface with a grid of input fields. At the top left is a 'NORMAL' button. Below it is a row of seven small square boxes, with a circled '3' above the second box. Below that is another row of seven small square boxes, with a circled '1' above the second box. The main area is divided into several sections: 'RNDS SHELL LOT', 'PROP LOT CHG', 'FUZE- /US SETTING', 'DEFL QUAD', 'ACTL CMD', and 'TARGET ID'. A circled '2' is located below the 'TARGET ID' field. At the bottom left is a 'MENU' button. An arrow labeled 'OR AZ (AZIMUTH)' points to the 'DEFL' field.

06pc157tb

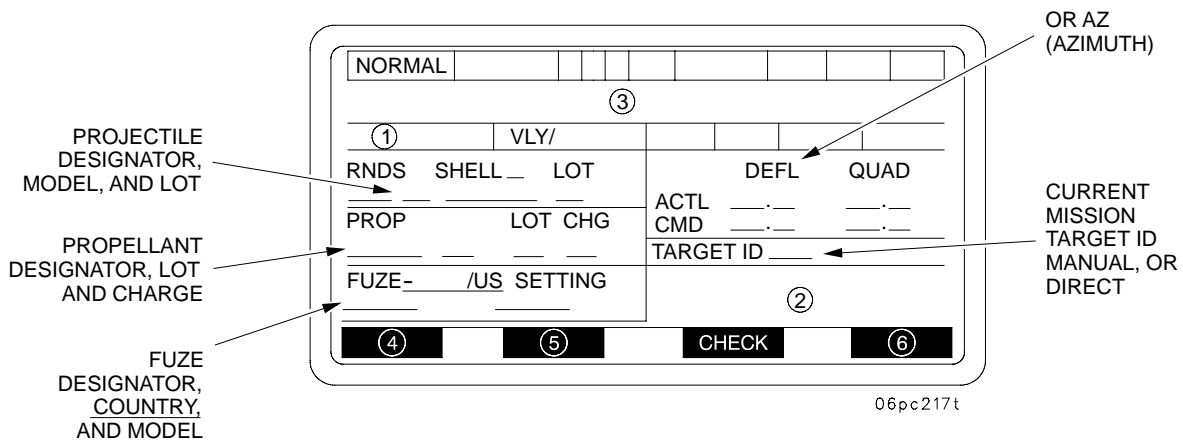
2-15 AFCS FIRE MISSION.

Fire missions are usually generated as a result of a message from the BCS to the AFCS. Included in the message are target location, method of control, and ammunition to fire (if ammunition is not specified the AFCS will default to its own selection). When the message is received by the AFCS, a fire mission screen is displayed on the DU and an audible alert is sounded through the intercom system. The Ballistics Computer will then compute the ballistics (azimuth and quadrant), based on ammunition data (projectile, propellant, and fuze), target location and the location of the howitzer (provided by the navigation system). The ballistic solution is then displayed on the fire mission screen.

A typical FIRE MISSION screen contains the following:

WARNING

The crew compartment must be adequately ventilated during all firing using the LEAD FILTER or ventilation system in accordance with para 2-22.2.



Listed below are the legal values for each field of SD-16A.

VLY / = Current volley being displayed; 1/1, 1/2 or 2/2

NOTE

The 1/1, 1/2, and 2/2 data shall not be displayed for operator initiated fire missions and missions that are in fire commands format.

- RNDS = Number of rounds remaining to fire 1..9
- SHELL = Shell model and mnemonic
- SHELL LOT = A..Z
- PROP = Propellant model
- PROP LOT = A..Z
- CHG = Propellant charge designator (see Table 2-1)
- FUZE = Fuze model, Country and mnemonic
- SETTING = Computed fuze setting, "PD" or "DELAY"
- DEFL (or AZ) = 0.0..6399.9 mils
- QUAD = -200.00..+1600.0 mils
- TARGET ID = Current mission target identification

2-15 AFCS FIRE MISSION - CONTINUED

1. Blank = Fire mission is not a sheaf
SHEAF PT = This gun is participating in a multi-gun sheaf
SHEAF a/s = This run is conducting a single gun sheaf
where: a..Current aimpoint number; b..Number of sheaf points
2. Blank - Displayed when none of the following apply
REMEMBER TO UPDATE INVENTORY = Direct or manual fire mission and none of the following apply
WARNING TUBE IS NOT IN LAY POSITION = WC is operational and the tube is not in the lay window.
TUBE MUST BE LAID MANUALLY = WC is not operational
CALL FDC IF ROUND IN TUBE = Awaiting tube clear and crew not authorized to fire.
PRESS SHOT OR CLEAR TO ACK CEASELOAD = AFCS has received a ceaseload request.
Mim QE violated ACK
SECTOR OF FIRE VIOLATION = Gun-target line is outside the defined sector of fire.
SITE VIOLATION = Firing parameters violate defined mask.
INSUFFICIENT AMMO SHELL/FUZE/PROP = Insufficient inventory quantities
INSUFFICIENT AMMO SHELL/FUZE = Insufficient inventory quantities
INSUFFICIENT AMMO SHELL/PROP = Insufficient inventory quantities
INSUFFICIENT AMMO FUZE/PROP = Insufficient inventory quantities
INSUFFICIENT AMMO SHELL = Insufficient inventory quantities
INSUFFICIENT AMMO FUZE = Insufficient inventory quantities
INSUFFICIENT AMMO PROP = Insufficient inventory quantities
MAX TUBE EL EXCEEDED = Computed QE exceeds the defined maximum tube elevation.
MINIMUM QE VIOLATED = The Gun Tube has violated the minimum QE as entered by the AFCS operator in the Enter Minimum Firing QE Display.

2-15 AFCS FIRE MISSION - CONTINUED

3. FIRE WHEN READY = Fire at will
 UNDER VOICE ORDERS = Manual fire mission
 COMPUTING DO NOT LOAD = AFCS computing or waiting for operator response
 DO NOT LOAD = Do not load missions
 LOAD LAY THEN PRESS READY = At my command or Copperhead mission
 WAIT FOR COMMAND = At my command after ready
 WAIT XXX SECONDS = Time to fire mission or continuous interval mission
 FIRE = COMMAND TO FIRE
 FPF END OF MISSION = EOM or ceaseload during FPF
 EARLY END OF MISSION = EOM received after load but before all rounds fired
 CEASELOAD = Ceaseload received after load but before all rounds fired
4. SHOT = AFCS requires notification of round fired
 READY = AFCS requires notification of operator ready to fire
5. CLEAR = AFCS requires notification of tube clear
 OTHER VLY = Other volley information is available for operator viewing
6. ABORT = Fire mission other than direct or manual active
 EOM = Direct or manual mission active

NOTE

Some of the alerts listed in item 2 above will result in an "OK TO SHOOT?, YES, NO" short error message to the AFCS operator.

MINIMUM QE VIOLATED ACK

The Gun Tube has violated the minimum QE as entered by the AFCS operator in the Enter Minimum Firing QE Display. An audio alert shall sound until the ACK key is pressed.

MINIMUM QE NO LONGER VIOLATED ACK

The Gun Tube no longer violates the minimum QE as entered by the AFCS operator in the Enter Minimum Firing QE Display. An audio alert shall sound until the ACK key is pressed.

2-15 AFCS FIRE MISSION - CONTINUED

DELETED

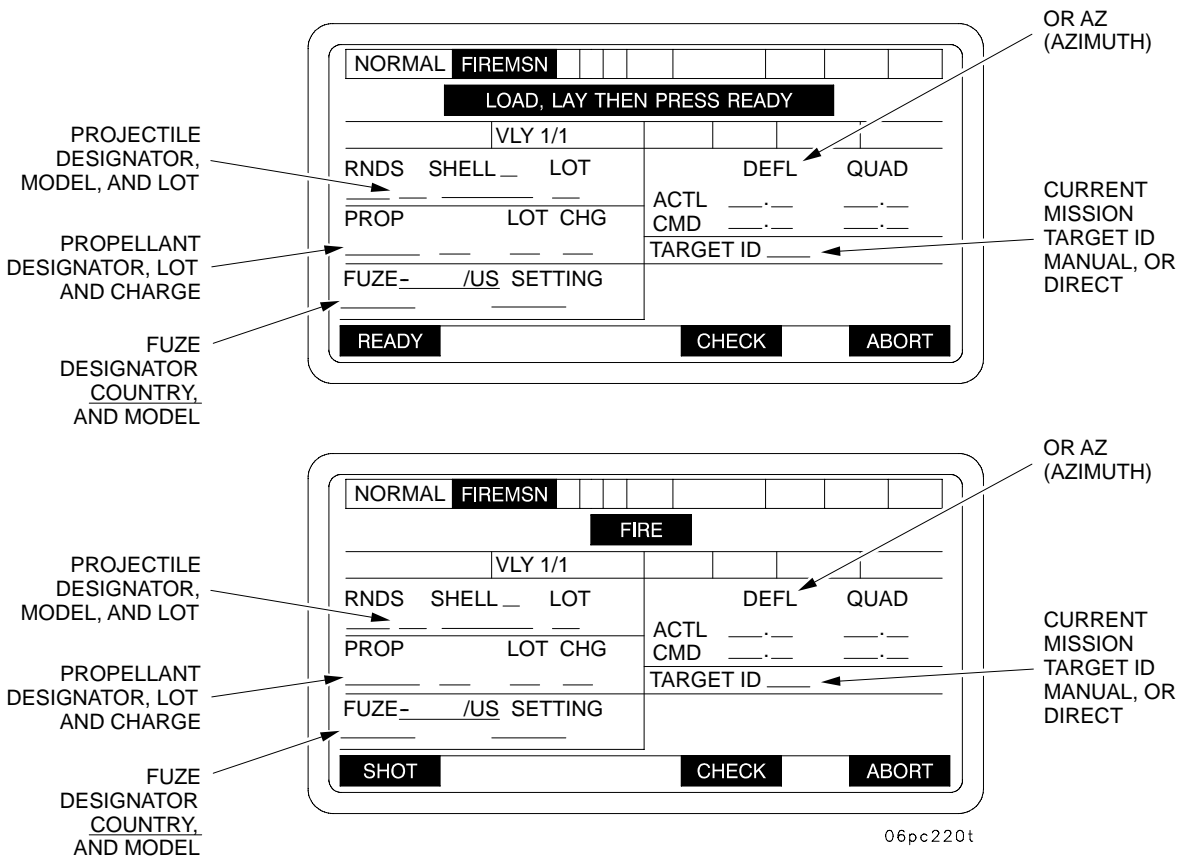
2-15 AFCS FIRE MISSION - CONTINUED

Fire Mission Received. When displayed, press ACK to confirm receipt of fire mission.

2-15.1 Platoon Operation Center.

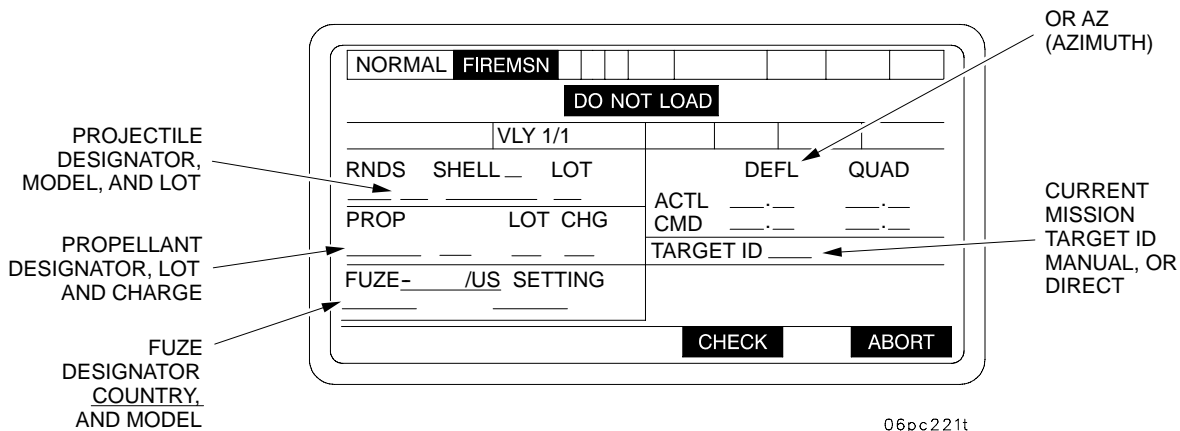
Although the howitzer has the ability to compute its own firing data, the actual firing of a mission is controlled by the POC. The control method is included within the fire mission message and displayed on the FIRE MISSION screen. Control methods are as follows:

- a. **AT MY COMMAND.** In this method, the POC controls when the howitzer is fired. (An example is a normal Copperhead mission.) The Method of Control field of the FIRE MISSION screen will tell the COS to LOAD, LAY, then press READY key. When these are accomplished, a message that the howitzer is ready to fire is sent to the POC. When the FIRE COMMAND is issued by the POC, an audible alert and an alternating tone is sounded and a FIRE prompt is displayed. If more than one volley is to be fired, the other volleys will be FIRE WHEN READY.



2-15 AFCS FIRE MISSION - CONTINUED

- b. DO NOT LOAD. This is a restrictive command that prohibits loading and firing. This is used when it is anticipated that significant time will elapse between loading and firing. When the DO NOT LOAD command is canceled, then the FIRE command is issued, and the same audible and visual alerts will be received as in AT MY COMMAND.



- c. TIME TO FIRE (TTF) SEQUENCE. This sequence consists of the following:
 - (1) Ballistic sequencing is performed. (COMPUTING DO NOT LOAD)
 - (2) If no ABORT is performed during the ballistic sequencing the AFCS operator is given the data.
 - (3) The AFCS operator is told to "WAIT FOR XXXX SECONDS" where xxx is the number of seconds remaining until time to fire.
 - (4) The "WAIT FOR XXX SECONDS" prompt is updated each second.
 - (5) When the countdown has expired, the AFCS operator is told to "FIRE".
 - (6) If this is not a FPF mission, then when the first shot out is detected and there is a Continuous Fire Interval specified processing continues using the Continuous Fire Interval sequence. If there are more rounds to fire, and a Continuous Fire Interval is not specified, the AFCS operator is told to "FIRE WHEN READY" (similar to when ready sequencing subsequent rounds). Otherwise, if shot out is not detected within 20 seconds then the mission is automatically ended.

If this is a FPF mission, then when shot out is detected the AFCS operator is told to "FIRE WHEN READY" again. This is repeated until the mission is ended and no rounds complete is generated.

 - (7) When rounds complete is detected the mission is automatically ended.

2-15 AFCS FIRE MISSION - CONTINUED

- d. CONTINUOUS FIRE INTERVAL SEQUENCE. The Continuous Fire Interval sequence shall be as follows for the second and subsequent rounds in a mission where a continuous fire interval is specified.
- (1) Following the first round fired using the sequences described above, the operator shall be told to "WAIT FOR XXX SECONDS" where xxx is the number of seconds remaining until time to fire.
 - (2) The "WAIT FOR XXX SECONDS" prompt shall be updated each second.
 - (3) When the countdown has expired, the operator is told to "FIRE."
 - (4) If all rounds in the mission have not been shot, processing will sequence through steps 1, 2, and 3 above.
 - (5) When rounds complete is detected, the mission is automatically ended.

2-15.2 Firing Mission.

WARNING

The crew compartment must be adequately ventilated during all firing using the LEAD FILTER or ventilation system in accordance with para 2-22.2.

When a fire mission is received, visual as well as an audible alert is given. The visual alerts are FIREMSN in Field 2 and OPERATOR ALERT AND ACK display. The audible alert can be heard by all crewmembers. When a fire mission is in process, each crewmember will perform his portion of the following:

- a. GUNNER and CANNONEER stow seats (if not previously stowed).
- b. Driver starts engine and/or raises idle speed to 1000-1200 rpm.
- c. COS issues the fire order (for example, 1 round HE; charge 4 green bag; Fuze Time, Time 25.0) and activates the HYDRAULIC POWER switch on the hydraulic control box and the GUN SERVO switch on the DU.
- c.1 Cannoneer turns LEAD FILTER switch on the Accessory Control Box to ON and moves Vent Duct Control Handle into UP position.
- d. GUNNER opens breech (first round only).
- e. CANNONEER positions rammer to RAM position.
- f. GUNNER prepares propellant (charge/zone taken from bustle stowage).
- g. CANNONEER prepares projectile and fuze (sets time on fuze if necessary).
- h. COS verifies projectile, fuze, fuze time and propellant and depresses LOAD key on DU (if necessary).
- i. When the tube is in the LOAD position, the CANNONEER places the projectile on the ram tray and activates rammer.
- j. When the ramming cycle is complete, the CANNONEER places the rammer in the stowed position.
- k. GUNNER places propellant in powder chamber and closes breech.

NOTE

When the AFCS has laid the gun and the LAY key is highlighted the gun must stay within +/- 0.9 mils of the commanded deflection.

2-15 AFCS FIRE MISSION - CONTINUED

2-15.2 Firing Mission - Continued

- l. The COS presses and holds the LAY key on the DU until the cannon is laid on the COMMAND FIRING Data.
- m. COS ensures that the gun is in the LAY position by verifying and announcing LAY light is highlighted (ACTUAL and COMMANDED DEFLECTION) and QUADRANT are within tolerance (+/- 0.9) and the prompt "WARNING TUBE IS NOT IN LAY POSITION)" is no longer displayed).
- n. GUNNER verifies LAY data. If data is correct GUNNER will announce "Verified." (If data is incorrect GUNNER will announce "Check firing").
- o. COS gives the command to "PRIME."

NOTE

During high angle missions or illumination missions, it is recommended prime be done at load elevation.

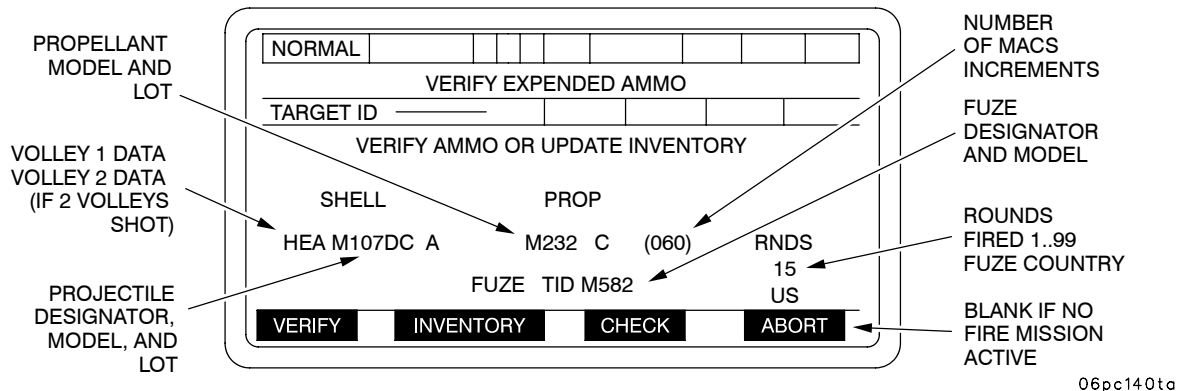
- p. COS commands "Hookup," CANNONEER attaches lanyard to firing block and announces "Hookup."
- q. COS announces, "FIRE."

NOTE

If the Navigation Subsystem is out, the AFCS will not detect the shot, and COS must press the SHOT soft key after each round.

- r. CANNONEER pulls the lanyard to fire the round.
- s. The AFCS is capable of automatically detecting Shot. In most cases pressing the SHOT soft key is not required. When a round is fired, the Navigation Subsystem and MVS will detect the round. After the round is fired and detected by the AFCS, the SHOT soft key will automatically disappear for 5 seconds, the Fire Mission will automatically decrement by one round (i.e. rounds to complete mission will decrease by one), and the Ammo Inventory will automatically be adjusted. In the very rare case that the AFCS does not detect shot, the COS must press the SHOT soft key as before.
- t. Cannoneer turns on Personnel Fan (Exhaust) switch on the Accessory Control Box and moves the Vent Duct Control Handle into DOWN position. Operate Personnel Fan for 1-2 minutes until all fumes are exhausted.

2-15.2.1 Subsequent Rounds. The first procedure is also used for all subsequent rounds in a fire mission. When all rounds have been fired for the mission, a VERIFY EXPENDED AMMO screen will be displayed. Ammunition accountability is covered in para 2-15.3.



2-15 AFCS FIRE MISSION - CONTINUED

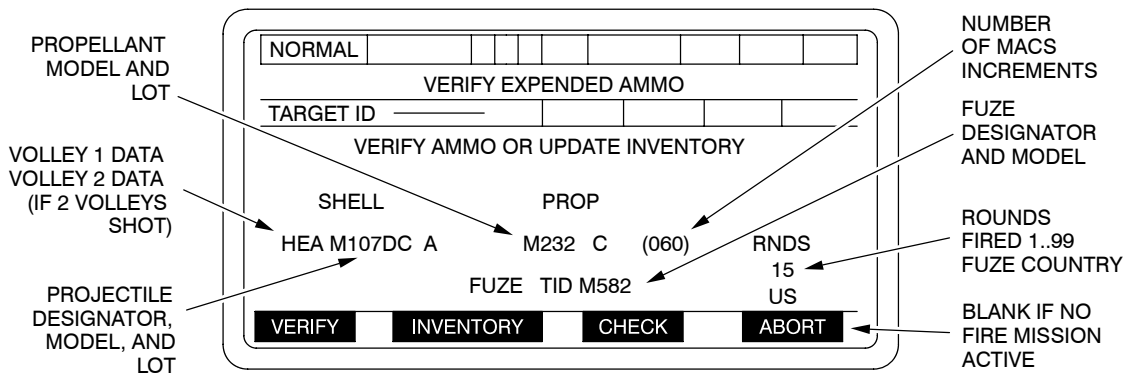
2-15.3 Ammunition Accountability.

NOTE

- If a shell, fuze or propellant is entered in the AFCS inventory, but the quantity is insufficient for the mission, or zero, the AFCS will prompt the Chief of Section to accept or reject the mission (in case a new load of ammunition just arrived and has not been entered into inventory yet).
- If a fire mission is activated while you are in any of the inventory management menus, all completed entries will be saved automatically.

It is essential that accurate ammunition updates to the AFCS be done in order to be able to fire all missions received. This should be done after a mission is fired. When all rounds in a mission have been fired, a VERIFY EXPENDED AMMO screen is displayed. This screen asks the operator either to verify ammunition fired or to update the ammo inventory. This is accomplished as follows:

- If the ammunition shown in the lower part of the VERIFY EXPENDED AMMO screen is an accurate account of the ammunition fired, press VERIFY key, to update the ammunition count. This updates the AFCS ammunition count automatically.



06pc140ta

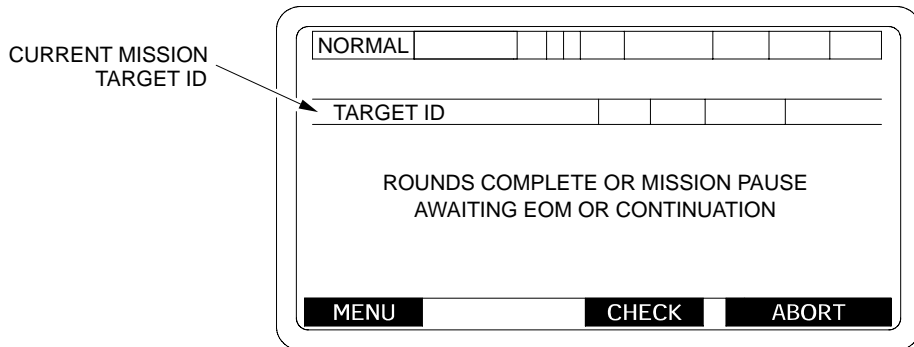
2-15 AFCS FIRE MISSION - CONTINUED

DELETED

2-15 AFCS FIRE MISSION - CONTINUED

2-15.4 End of Mission.

Notification that a Fire Mission has ended is sent by an END OF MISSION (EOM) message from the POC. Normally, this is done when all rounds requested in a Fire Mission have been fired. When all the rounds for a mission have been fired, a ROUNDS COMPLETE OR MISSION PAUSE, AWAITING EOM OR CONTINUATION OF MISSION screen will be displayed until an EOM message is sent from the POC. When the EOM message is received by the AFCS, an END OF MISSION screen is displayed.



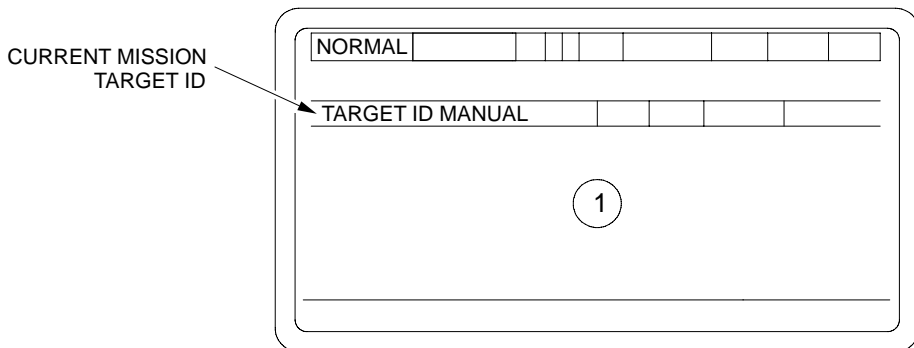
06pc176m



Operate Personnel Fan (Exhaust) switch on the Accessory Control Box with the Vent Duct Control Handle in DOWN position for 2 minutes when crew members observe fumes, smoke or indication of carbon monoxide build up in the crew compartment.

NOTE

While awaiting EOM or continuation of a mission, you can access the SETUP AND INFORMATION menus by pressing the MENU key (e.g. to update inventory to add new ammo received). The AFCS will automatically interrupt whatever you are doing if the fire mission is continued.

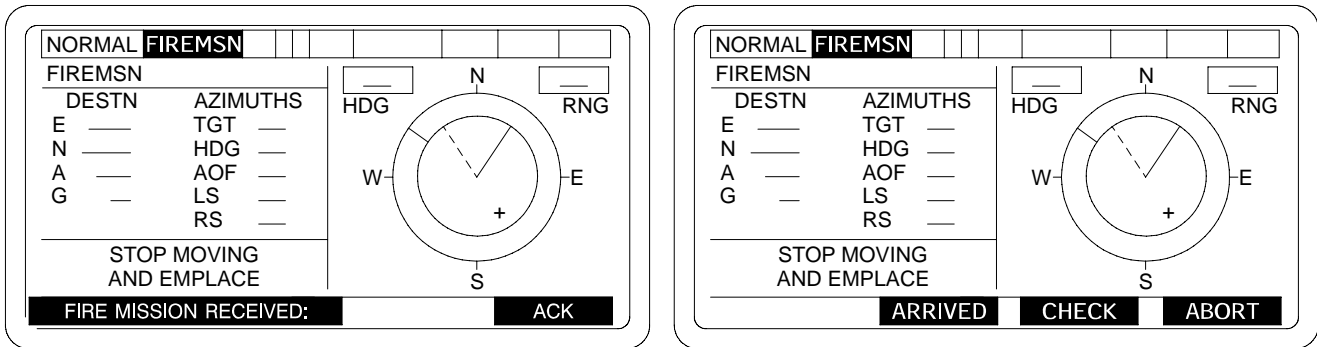


06pc177m

2-15 AFCS FIRE MISSION - CONTINUED

2-15.5 AFCS EMERGENCY MISSION

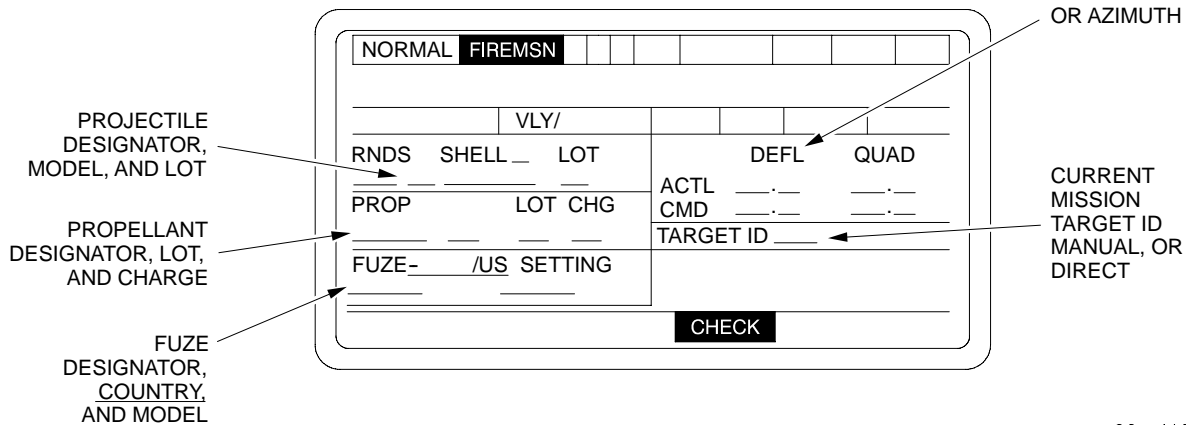
Because the M109A6 makes frequent tactical and survivability moves, receiving a Fire Mission while moving will become a routine event. During a move, a Fire Mission order may be sent requiring the individual howitzer to stop, emplace, and fire on a target at any time. When this type of order is sent, an audible alert and a visible alert in the form "FIREMSN RECEIVED," "ACK" in field 16 is displayed to the operator.



06pc143t

2-15.5.1 Emplace.

The chief of section must ACK the mission and select a suitable firing position as quickly as possible. Depress ARRIVED soft key to receive the Fire Mission. Fire Mission data will be computed and displayed.



06pc142t

2-15 AFCS FIRE MISSION - CONTINUED

2-15.5 AFCS EMERGENCY MISSION - Continued

2-15.5.2 Ready Gun.

- a. Set HYDRAULIC POWER switch on hydraulic control box and GUN SERVO switch on DU to ON.
- b. Release gun tube from travel lock.
- c. Release cab traverse lock.

2-15.5.3 LAY, LOAD, LAY, AND FIRE.

NOTE

Ballistic computations must have been completed before LAY key is depressed.

- a. Depress and hold LAY key to bring gun to target Azimuth and LAY elevation. Look thru tube and verify immediate Crest is clear.
- b. Depress LOAD key to LAY weapon on COMMANDED deflection and LOAD quadrant.
- c. Depress LAY key to LAY weapon on COMMANDED deflection and quadrant. Ensure LAY key is held until LAY indicator is highlighted.
- d. On command, fire the gun.

2-15.5.4 End of Mission.

- a. When END OF MISSION message is received, wait for instructions to proceed with displacement.
- b. After the END OF MISSION message, the MOVE ORDER screen with previous move mission data will be displayed.
- b.1 Turn on Personnel Fan (Exhaust) switch on the Accessory Control Box and move the Vent Duct Control Handle into DOWN position. Operate Personnel Fan for 1-2 minutes until all fumes are exhausted.
- c. Proceed to ordered destination.

CAUTION

Operate Personnel Fan (Exhaust) switch on the Accessory Control Box with the Vent Duct Control Handle in DOWN position for 2 minutes when crew members observe fumes, smoke or indication of carbon monoxide build up in the crew compartment.

2-15 AFCS FIRE MISSION - CONTINUED

2-15.6 Direct Fire Procedures Using AFCS.

NOTE

While the AFCS can be used, manual (one man-one sight) procedures have been found to be faster and just as accurate.

For direct fire against close range targets, AFCS can be used to aid in laying the cannon. COS identifies target, states type charge, projectile and fuze to be used, estimates speed (if target is moving) and announces lead to GUNNER. COS continues direct firing procedures until target is destroyed.

- a. COS first identifies direct fire target. If target consists of several weapons, he selects target that is the greatest threat to his position.
- b. COS gives fire command in the following order:

ELEMENT	EXAMPLE
Target designation	Target, lead tank
Target direction	Left/right front
Projectile, charge, fuze	Shell HE, charge 7, fuze quick
Lead	Lead left/right 10
Method of fire	Fire at will

NOTE

- Fire at will means to keep firing until target is destroyed or another command is given.
- COS will estimate range if he has no accurate range.
- COS will use lead chart mounted in commander's cupola (shown below) for initial lead.

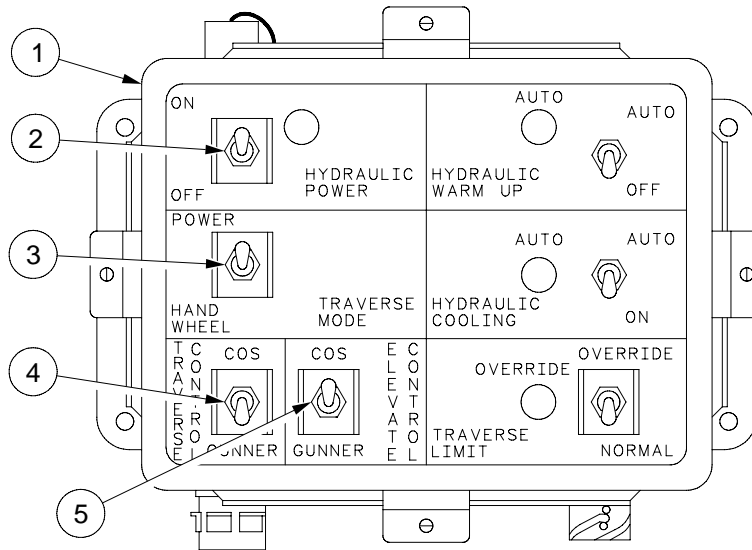
DIRECT FIRE MOVING TARGET LEAD			
TARGET SPEED (MPH)	TARGET DIRECTION OF TRAVEL		
	LEAD IN MILS (m)		
	←→	↖↗	↑↓
5	5m	5m	0m
10	10m	5m	0m
15	15m	10m	0m
20	20m	15m	0m
25	20m	15m	0m
30	30m	20m	0m

- c. On Display Unit COS sets GUN SERVO switch to OFF.

2-15 AFCS FIRE MISSION - CONTINUED

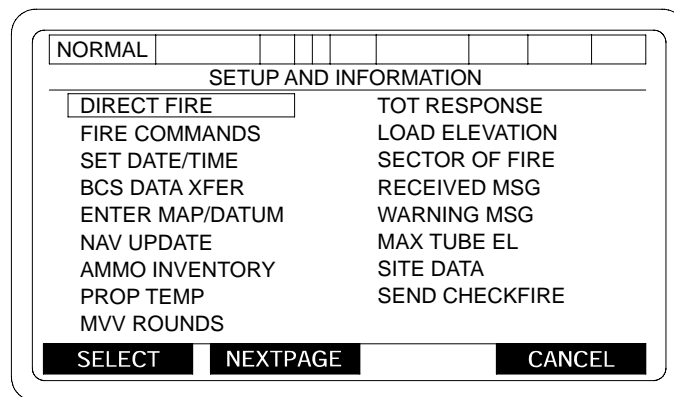
2-15.6 Direct Fire Procedures Using AFCS - Continued

- d. On hydraulic control box (1), turn HYDRAULIC POWER switch (2) to ON, TRAVERSE MODE switch (3) to POWER, TRAVERSE CONTROL switch (4) to GUNNER, and ELEVATE CONTROL switch (5) to COS.



hipc173a

- e. Bring SETUP AND INFORMATION menu on Display Unit using one of the following procedures:



06pc180m

NOTE

The NAV update selection shall be available to the AFCS operator at all times except when a fire mission is active or the navigation subsystem is unavailable.

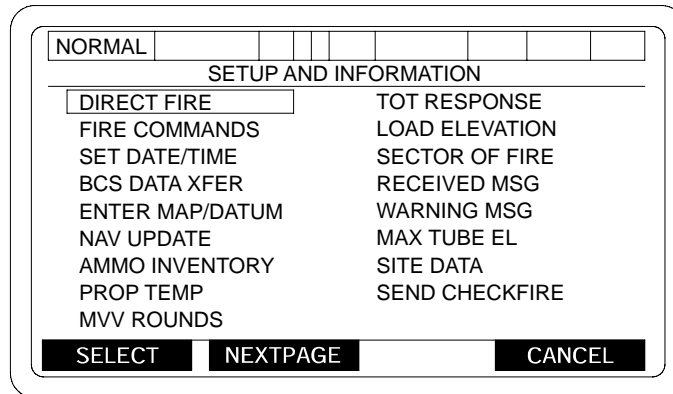
2-15 AFCS FIRE MISSION - CONTINUED

DELETED

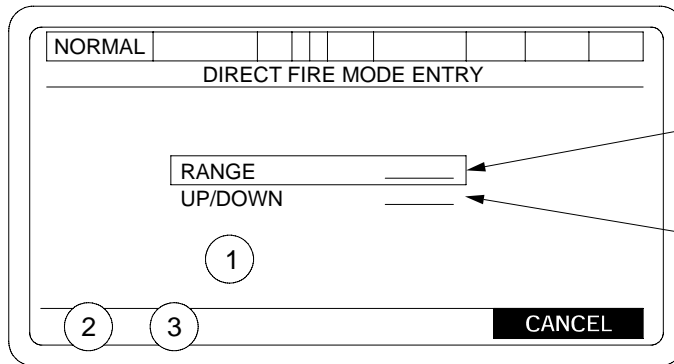
2-15 AFCS FIRE MISSION - CONTINUED

2-15.6 Direct Fire Procedures Using AFCS - Continued

- f. With cursor (box) at DIRECT FIRE, press soft key located directly beneath SELECT prompt to display a DIRECT FIRE MODE ENTRY menu on DU.



06pc180m



RANGE TO TARGET
10..2500 METERS
DEFAULT = 500

RELATIVE ALTITUDE
OF TARGET
-999.. + 999 METERS
DEFAULT = 0

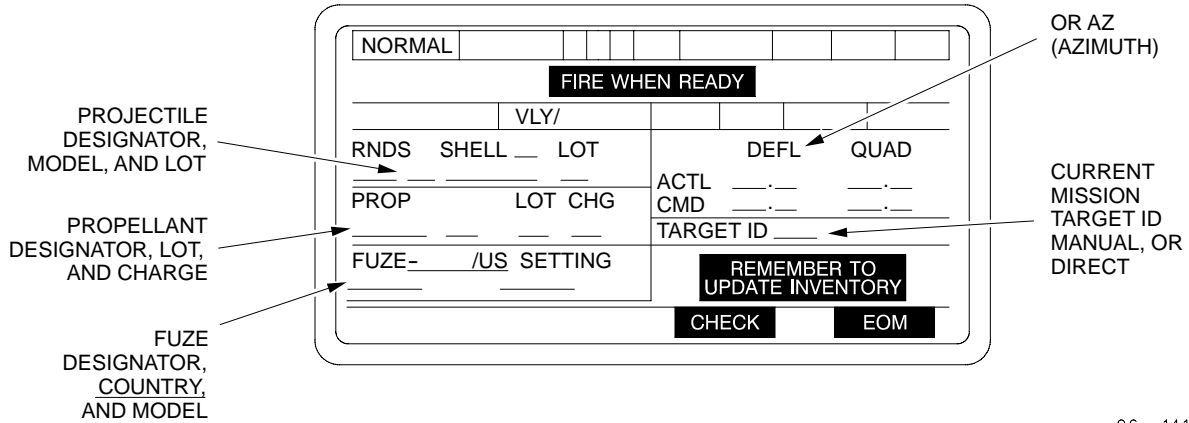
06pc183m

- ① blank - No selection made
"TYPE VALUE 10 TO 2500 METERS" - RANGE Selected.
"-PRESS ENT KEY-"
"TYPE VALUE -999 TO +999" - UP/DOWN Selected.
"-PRESS ENT KEY-"
- ② blank - If RANGE or UP/DOWN Selected
- SELECT** -Awaiting Selection or USE ALL. Selects current menu item.
- ③ blank - If RANGE Selected
- +/-** - UP/DOWN Selected. Change sign of value
- USE ALL** - Awaiting Selection or USE ALL. Initiate direct fire mission.

2-15 AFCS FIRE MISSION - CONTINUED

2-15.6 Direct Fire Procedures Using AFCS - Continued

- g. Press soft key located directly beneath the USE ALL prompt of the DIRECT FIRE MODE ENTRY menu to display a FIRE MISSION menu.



06pc141t

NOTE

You will only use the ACTL QUAD field of this screen to set tube elevation.

- h. Using the DIRECT FIRE RANGE PLATE, the COS determines elevation based on estimated range. Using COS control handle, COS elevates/depresses gun to proper elevation in the ACTL QUAD field of the FIRE MISSION menu, then announces "SET" continually until howitzer is fired.

DIRECT FIRE RANGE PLATE 155MM HOWITZER			
M549A1 RAP		M107 HE PROJECTILE	
ROCKET OFF		M19A1 PC WB	
M203 SERIES PC RB		M119A2 PC RB	
RANGE METERS	ELEV MILS	RANGE METERS	ELEV MILS
400	3	400	4
600	5	600	7
800	6	800	9
1000	8	1000	11
1200	9	1200	14
1400	11	1400	16
L15 HE PROJECTILE		M107 HE PROJECTILE	
M203 SERIES PC RB		M4A2 PC WB	
RANGE METERS	ELEV MILS	RANGE METERS	ELEV MILS
400		400	6
600		600	10
800		800	13
1000		1000	16
1200		1200	20
1400		1400	23
PLATE DIRECT FIRE		P/N 12910859	

2-15 AFCS FIRE MISSION - CONTINUED

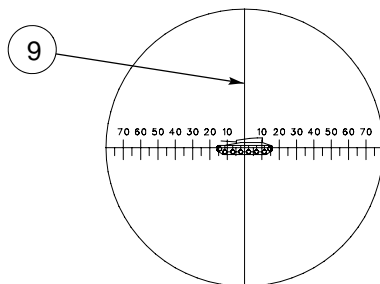
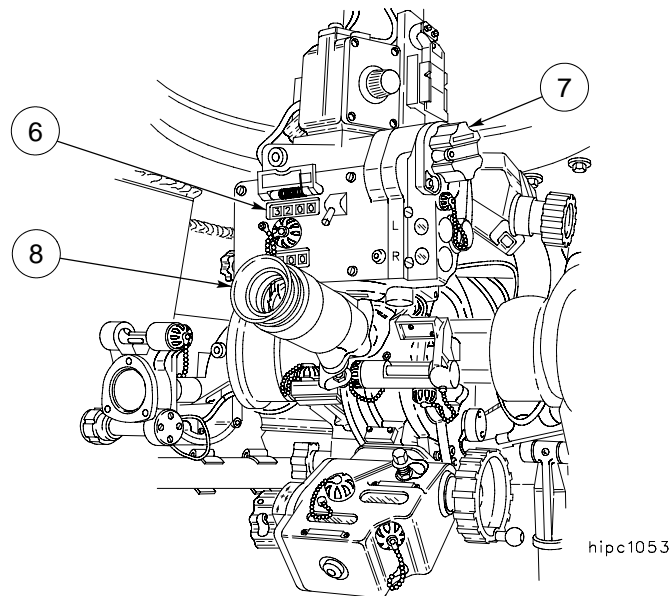
2-15.6 Direct Fire Procedures Using AFCS - Continued

- i. On subsequent rounds, the COS will estimate a new range based on observed effects and repeat step h until target is destroyed or other commands become necessary.
- j. GUNNER sets azimuth counter (6) to 3200, and turns direct/indirect fire bar knob (7) to DIRECT position to engage 5.0 mils per click sight mechanism.

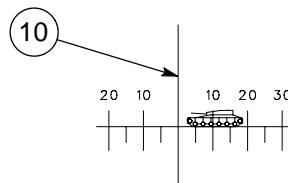
NOTE

The head of the PANTEL must remain oriented with the gun tube. The PANTEL will be oriented with the gun tube if the azimuth counter reads 3200 and the PANTEL is properly boresighted.

- k. If central laying is used, GUNNER applies announced lead to azimuth counter (6). If lead is left, add the lead angle to 3200; if lead is right, subtract the lead angle from 3200. The GUNNER then sights through the eyepiece (8) and traverses tube until vertical hairline (9) of PANTEL centers on the target. If reticle method is used, GUNNER places vertical hairline (10) left or right of target the number of mils lead announced by COS.



CENTRAL LAYING



RETICLE METHOD

hipc1057

2-15 AFCS FIRE MISSION - CONTINUED

2-15.6 Direct Fire Procedures Using AFCS - Continued

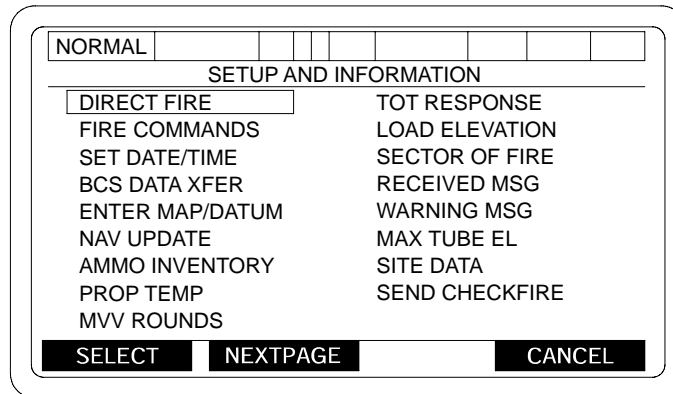
- l. When GUNNER establishes correct sight picture, and COS has announced "SET," GUNNER commands "FIRE."
- m. CANNONEER fires gun.
- n. After firing, GUNNER continues to lay on target until it is destroyed or a subsequent fire command is issued.
- o. COS gives subsequent fire commands based on observed effects and changes lead as necessary.

ELEMENT	EXAMPLE
Change in Lead	Right/left 5

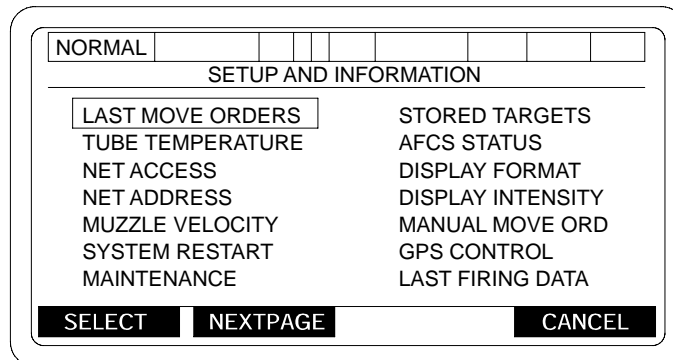
- p. GUNNER turns azimuth deflection knob in 5-mil (1-click) increments to set lead change.

2-15.7 System Menus.

The SETUP AND INFORMATION menu is used to access the various screens to initialize the AFCS and align the Navigation System. It also provides access to menus allowing the operator to enter fire commands and muzzle velocities, access messages, and to monitor AFCS STATUS and tube temperature. The operator can change the display format and intensity, input Manual Move Orders, perform a system update, and access stored targets. The operator can enter a Map Mod; can access the MAINTENANCE MODE MENU; and can update his ammunition inventory. This will complete the capabilities of the system menus.



06pc180m



06pc185m

2-15 AFCS FIRE MISSION - CONTINUED

2-15.7 System Menus - Continued

2-15.7.1 Fire Commands. If the Ballistic Computer or digital communications is out, fire commands (deflection and quadrant) will be sent by voice to the howitzer COS. The operator will enter these fire commands manually as follows:

- a. Box in FIRE COMMANDS on SETUP AND INFORMATION menu and press SELECT key to display a FIRE COMMANDS ENTRY screen.

hipc4204

- b. With the FIRE COMMANDS ENTRY screen displayed, box in DEFLECTION; press SELECT key; type in deflection; and press ENT key.
- c. Box in QUADRANT and press SELECT key. Type in quadrant and press ENT key.
- d. When correct fire command has been entered, press USE ALL key to display a FIRE MISSION screen with firing data in the COMMANDED (CMD) field.

06pc144t

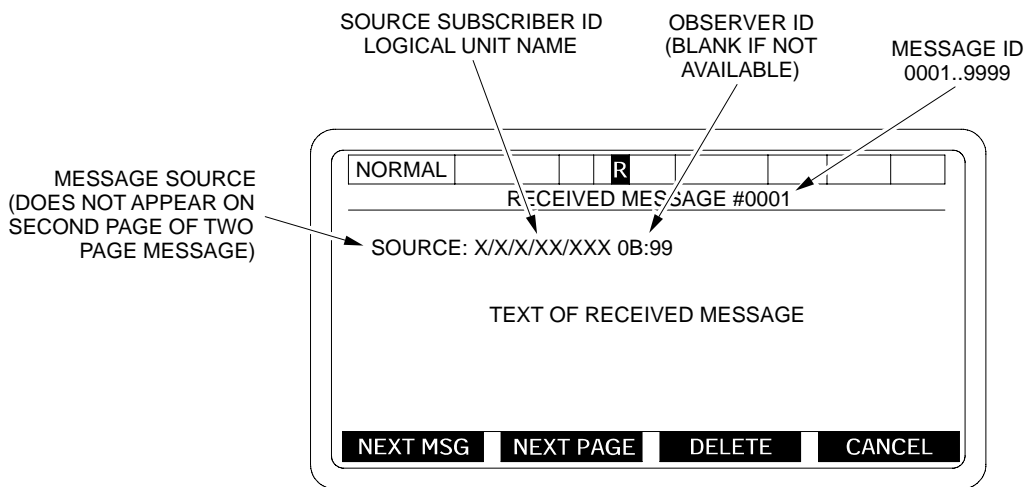
- e. The fire mission is fired using normal procedures.
- f. When the voice order to end the mission is received, press the EOM key.
- g. Ammo accountability is then manually processed (para 2-15.3).

2-15 AFCS FIRE MISSION - CONTINUED

2-15.7 System Menus - Continued

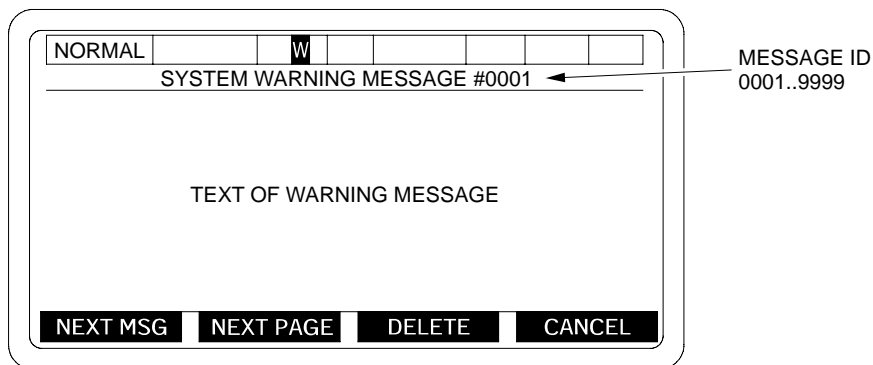
2-15.7.2 Messages. The two types of AFCS messages accessed from the SETUP AND INFORMATION menu are RECEIVED MSG and WARNING MSG. The received messages are ones received from the POC and the warning messages are generated by the AFCS for system status. When there is a new message to read, a RCVD MSG (R) highlighted field 5 or WARN MSG (W) highlighted field 4 indicator will be displayed at the top of the screen. Access messages using the following procedures:

- Box in desired message on SETUP AND INFORMATION menu and press SELECT key to display a RECEIVED MESSAGE/SYSTEM WARNING MESSAGE.
- If more than one message is in the message queue, display next message by pressing the NEXT MSG key. If a message contains more than one page, display next page by pressing NEXT PAGE key.
- To return to the SETUP AND INFORMATION menu, press CANCEL key.



06pc188m

- NEXT MSG** = DISPLAY NEXT MESSAGE (BLANKED IF NO NEXT MESSAGE)
- NEXT PAGE** = DISPLAY NEXT PAGE (BLANKED IF NO NEXT PAGE)
- DELETE** = DELETE CURRENT MESSAGE (BLANKED IF NO MORE MESSAGES)



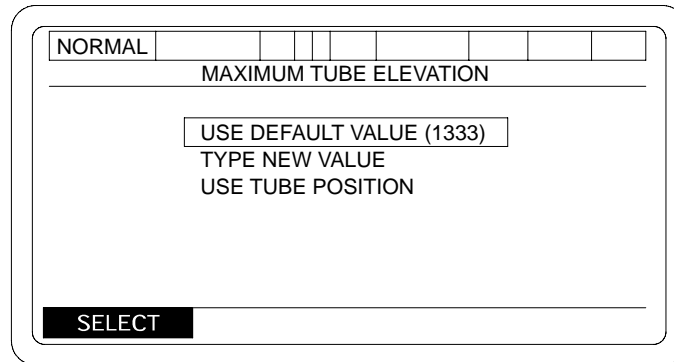
06pc189m

- NEXT MSG** = DISPLAY NEXT MESSAGE (BLANKED IF NO NEXT MESSAGE)
- DELETE** = DELETE CURRENT MESSAGE (BLANKED IF NO MORE MESSAGES)

2-15 AFCS FIRE MISSION - CONTINUED

2-15.7 System Menus - Continued

2-15.7.2.1 MAXIMUM TUBE ELEVATION. From the SET UP AND INFORMATION menu select "MAX TUBE EL" to input the maximum tube elevation.



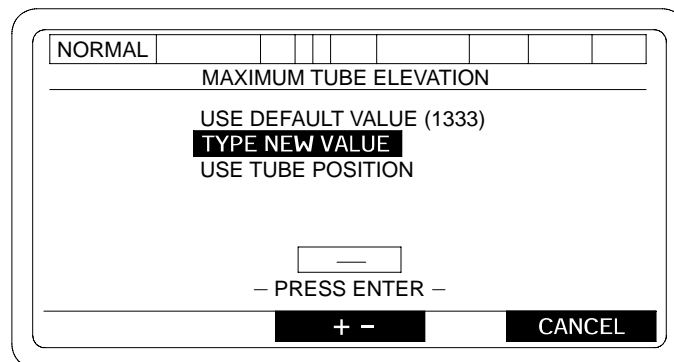
06pc154m

- a. Entering MAXIMUM TUBE ELEVATION. If a maximum tube elevation is not entered, the default value as shown on the display will be entered automatically. If an elevation other than the default value is desired, the entry can be made by either of two methods:

NOTE

Numerical value must be entered before sign.
Default sign is (+).

- b. Box in TYPE NEW VALUE and depress SELECT to bring up a new MAXIMUM TUBE ELEVATION display. Enter required value for MAX TUBE EL and press ENT key.



06pc155m

2-15 AFCS FIRE MISSION - CONTINUED

2-15.7 System Menus - Continued

- c. Box in USE TUBE POSITION and press SELECT key to bring up a new MAXIMUM TUBE ELEVATION display. Using the COS or gunner's control handle, move tube to desired elevation and press ENT key.

The image shows a rectangular display screen with a rounded border. At the top left, the word "NORMAL" is displayed in a small box. To its right is a row of ten empty rectangular boxes. Below this row, the text "MAXIMUM TUBE ELEVATION" is centered. Underneath, the text "USE DEFAULT VALUE (1333)" and "TYPE NEW VALUE" are centered. The text "USE TUBE POSITION" is centered and highlighted with a black background. Below that, the text "MOVE TUBE TO MAXIMUM ELEVATION POSITION" is centered. At the bottom center, the text "-- PRESS ENTER --" is displayed. In the bottom right corner, there is a black rectangular button with the word "CANCEL" written in white.

06pc156m

2-15 AFCS FIRE MISSION - CONTINUED

2-15.7 System Menus - Continued

2-15.7.3 Send Checkfire. Selecting SEND CHECKFIRE will result in questions asked, "ARE YOU SURE", "YES" "NO". "YES" selection will cause all howitzer systems to be placed on CHECKFIRE. Only the POC/BCS can cancel the CHECKFIRE. "NO" selection = No action.

- ① **EOM** - MISSION is direct or manual
- ABORT** - MISSION is not direct or manual

06pc145t

2-15.7.4 Stored Targets. The AFCS can store up to ten targets. These targets can be reviewed for information concerning target number, rounds to be fired, shell, propellant, fuze, and method of control. To access the target summary, perform the following steps:

- a. Box in STORED TARGETS on SETUP AND INFORMATION menu and press SELECT key to display a STORED TARGET SUMMARY screen.
- b. If there is more than one page, press NEXT PAGE key to display next page.
- c. To return to SETUP AND INFORMATION menu, press CANCEL key.

TARGET	RND	SHELL	PROP	FUZE	CONTROL
AA0001		HE			FPF
AA0340	6	ICM		TI	12:1430
AA0245	3				12:1545
AA0045	2	WP		TI	
	2	HEA A	M232	PDAD/US	WR

06pc145ta

NEXT PAGE = SHOWS NEXT PAGE. IF LAST PAGE, THEN SHOWS FIRST PAGE. (BLANKED IF ONLY ONE PAGE OR NO TARGETS).

NOTE

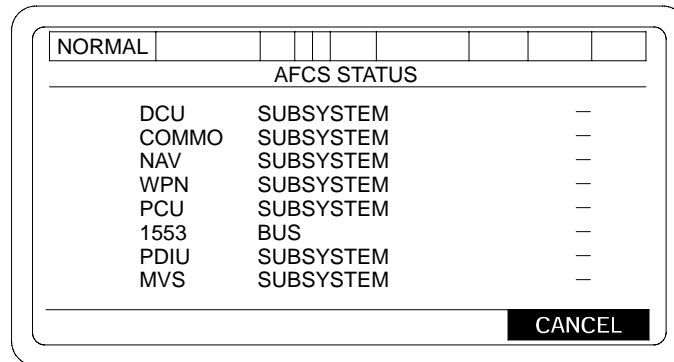
Shell and fuze entries will be blank if the stored mission arrives from the BCS with unspecified ammunition and is not an FPF mission (as shown above in target ID AA0245).

2-15 AFCS FIRE MISSION - CONTINUED

2-15.7 System Menus - Continued

2-15.7.5 AFCS STATUS. To display the AFCS SUBSYSTEM STATUS, proceed as follows:

- Box in AFCS STATUS on SETUP AND INFORMATION menu and press SELECT to display the AFCS STATUS screen.
- Cursor and select an AFCS SUBSYSTEM to view the sub-components. The status of each sub-component will be displayed either "OK" or "FAIL."
- To return to the SETUP AND INFORMATION menu, press CANCEL key.



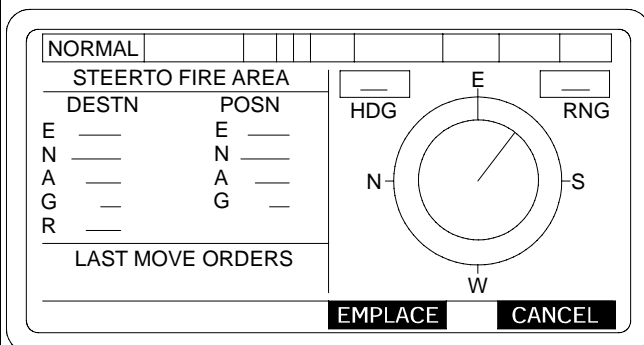
06pc075ma

2-15.7.6 Last Move Orders. To display the last move orders received by the AFCS, proceed as follows:

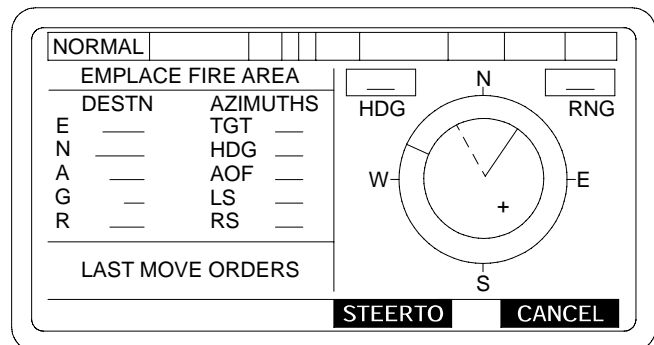
- Box in LAST MOVE ORDERS on SETUP AND INFORMATION menu and press SELECT key. A STEERTO FIRE AREA screen will be displayed showing LAST MOVE ORDERS.
- Press the EMLPAC key to display an EMLPAC FIRE AREA screen showing LAST MOVE ORDERS.
- From STEERTO FIRE AREA or EMLPAC FIRE AREA screen, the SETUP AND INFORMATION menu can be reached by pressing the CANCEL key.

NOTE

This will not be available after the first Survivability Move.



06pc191m



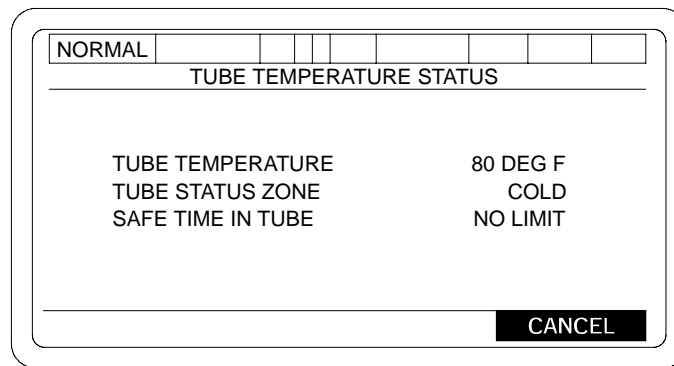
06pc192m

2-15 AFCS FIRE MISSION - CONTINUED

2-15.7 System Menus - Continued

2-15.7.7 Tube Temperature. The TUBE TEMPERATURE STATUS is shown on the FIRE MISSION screen as COLD, WARM, or HOT; and a time is displayed which indicates how long a complete round may remain in the tube. TUBE TEMPERATURE STATUS can also be displayed as follows:

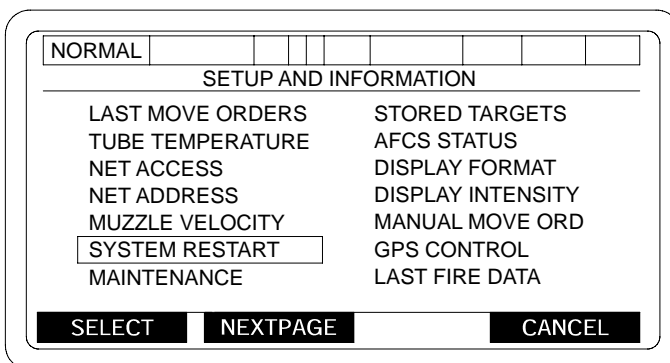
- Box in TUBE TEMPERATURE on SETUP AND INFORMATION menu and press SELECT key.
- A TUBE TEMPERATURE screen will be displayed showing TEMPERATURE STATUS (COLD, WARM, HOT), and SAFE TIME IN TUBE.
- To return to SETUP AND INFORMATION menu, press CANCEL key.



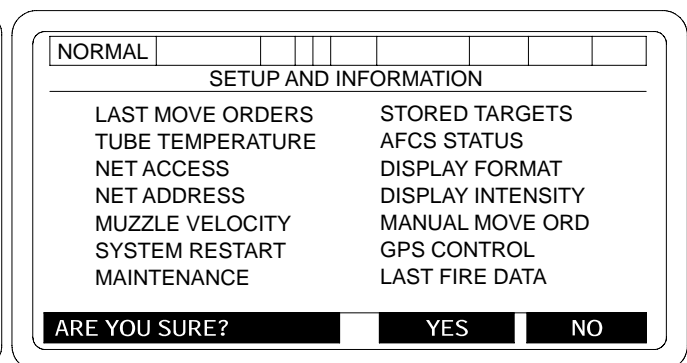
06pc193m

2-15.7.8 System Restart. To do a SYSTEM RESTART without shutting the system off and powering back-up, proceed as follows:

- Box in SYSTEM RESTART on SETUP AND INFORMATION menu and press SELECT key. A prompt will be displayed, "ARE YOU SURE", "YES" or "NO".
- The system will restart at a POWER UP STATUS.
- "INITIALIZATION" must be performed.



06pc194m



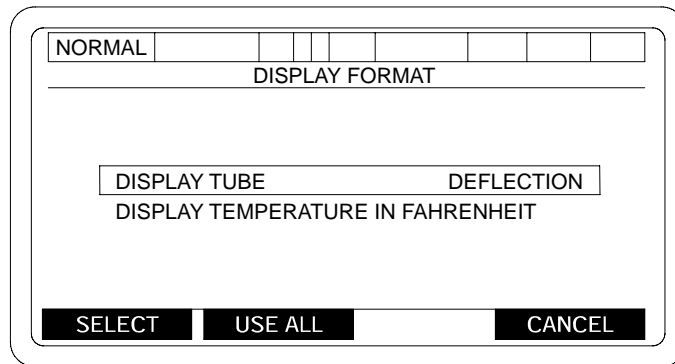
06pc195m

2-15 AFCS FIRE MISSION - CONTINUED

2-15.7 System Menus - Continued

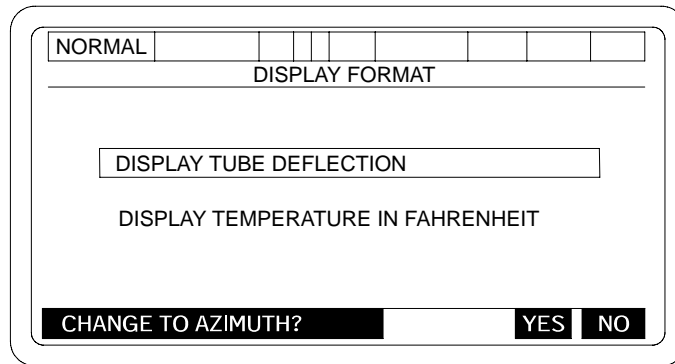
2-15.7.9 Display Format. This function is used to change the display of the tube position from AZIMUTH to DEFLECTION, and vice versa; or the TEMPERATURE STATUS display from Fahrenheit to Celsius, and vice versa. This display format is changed as follows:

- a. Box in DISPLAY FORMAT on SETUP AND INFORMATION menu and press SELECT key to display a DISPLAY FORMAT screen.



06pc196m

- b. To change deflection, box in DISPLAY TUBE DEFLECTION and press SELECT to display another DISPLAY FORMAT screen.
- c. This screen asks the question: CHANGE TO AZIMUTH/DEFLECTION? Press the appropriate soft key, YES or NO. This will return the display to the original DISPLAY FORMAT screen.

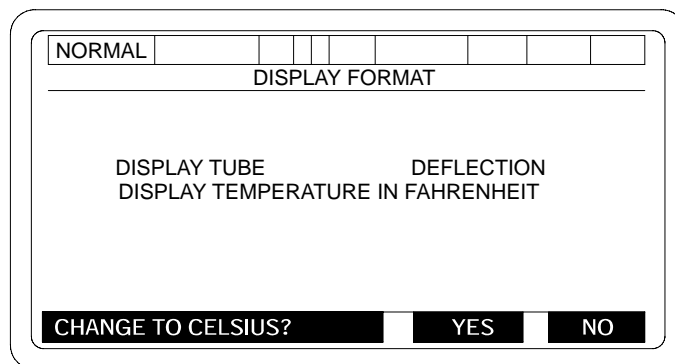


06pc197m

2-15 AFCS FIRE MISSION - CONTINUED

2-15.7 System Menus - Continued

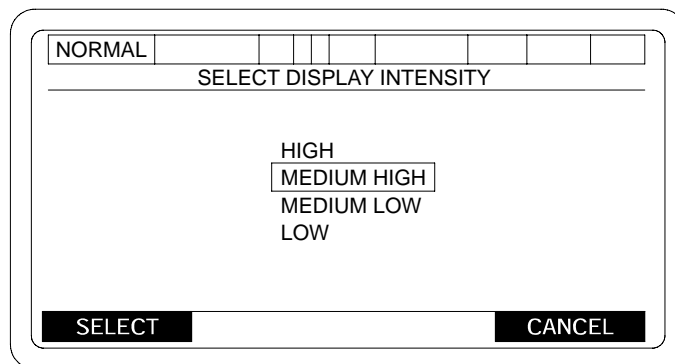
- d. To change the temperature display, box in DISPLAY TEMPERATURE IN FAHRENHEIT and press SELECT key to display another DISPLAY FORMAT screen.
- e. Answer screen question CHANGE TO CELSIUS/FAHRENHEIT? by pressing appropriate soft key.
- f. When original DISPLAY FORMAT screen is displayed, press USE ALL key to return to SETUP AND INFORMATION menu.



06pc198m

2-15.7.10 Display Intensity. The display intensity of the EL Panel can be changed to four different intensity levels as follows:

- a. Box in DISPLAY INTENSITY on SETUP AND INFORMATION menu and press SELECT key to display a SELECT DISPLAY INTENSITY screen.
- b. On the SELECT DISPLAY INTENSITY screen, box in desired intensity and press SELECT key. Display will change to the selection made.



06pc199m

2-15 AFCS FIRE MISSION - CONTINUED

2-15.7 System Menus - Continued

2-15.7.11 Manual Move Order. When it is necessary to move the howitzer without a move order from the POC enter the movement data as follows:

- a. Box in MANUAL MOVE ORDER on SETUP AND INFORMATION menu and depress SELECT key to display a MANUAL MOVE ORDER ENTRY screen.
- b. Enter data by boxing in each data field and then typing in desired data. As each field is filled, press ENT key to enter data.
- c. When all data has been entered, press USE ALL key. This will cause the SETUP AND INFORMATION screen to be displayed with MOVE ORD at the top. Press CANCEL key to display the MOVE ORDER screen (STEERTO or EMLACE).

NORMAL									
MANUAL MOVE ORDER ENTRY									
EASTING	500000								
NORTHING	100								
ALTITUDE	0								
GRID ZONE	1								
HEMISPHERE	NORTH								
DEST TYPE	INIT POINT								
SELECT		USE ALL			CANCEL				

06pc200m

NOTE

- If the Move Order coordinates are outside the MapMod, no AFCS warning message will be issued. All Move Order coordinates should be checked with a map spot, or through some other secondary means to insure they are within the current MapMod.
- If the Move Order coordinates are in an adjacent Grid Zone, the AFCS will automatically convert these coordinates to the MapMod Grid Zone. Once the STEER TO screen is displayed, the entered coordinates will be converted to the MapMod Grid Zone. If a map spot is performed, the MapMod Grid Zone will need to be extended into the adjacent Grid Zone.
- If Destination Type is to a FIRING POINT, Operator must input SECTOR OF FIRE prior to inputting a Manual Move Order.

2-15 AFCS FIRE MISSION - CONTINUED

2-15.7 System Menus - Continued

- Destination Types are: LOG POINT (for resupply), INIT POINT (for survey control point) and FIRE POINT.
- If DO NOT MOVE was on the screen before you start this move, the AFCS will notify BCS that the howitzer is moving.

2-15.7.12 GPS Control. Used to enhance positioning. The POC will instruct you when to use GPS Control.

NOTE

Use according to unit SOP.

- Select either USE GPS AIDING or USE ONLY CODED GPS DATA.
- You will receive the following operator prompts.

06pc201m

OPERATOR PROMPTS (ON SOFTKEY LINE):

1. WHEN GPS AIDING SELECTED:

USE GPS AIDING? YES NO

2. WHEN USE ONLY CODED GPS DATA SELECTED:

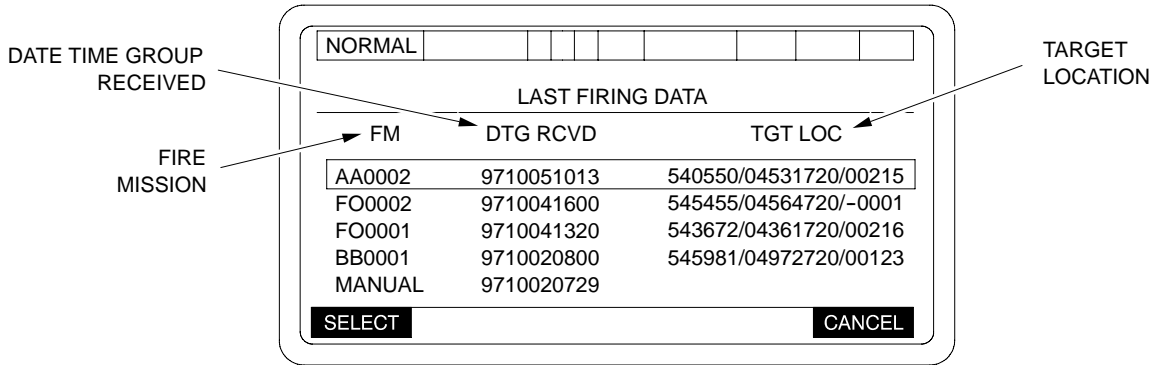
USE ONLY CODED GPS? YES NO

NOTE: VALUES SHOWN ARE SYSTEM SUPPLIED DEFAULTS.

2-15 AFCS FIRE MISSION - CONTINUED

2-15.7 System Menus - Continued

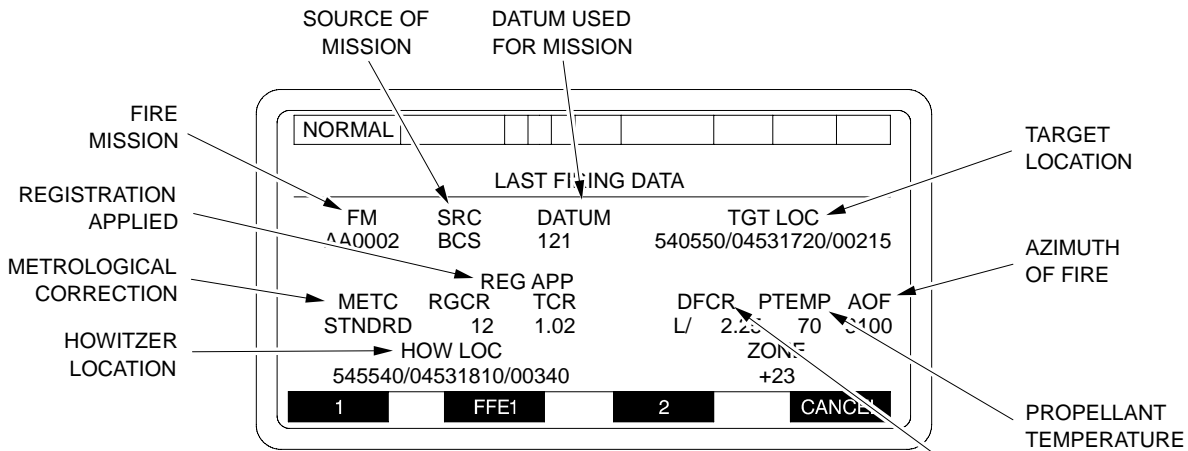
2-15.7.12 .1 Last Firing Data.



- SELECT** : View firing data from a particular
- CANCEL** : Return to SETUP AND INFORMATION menu

Mission data displayed in order from latest received to earliest

06pc146t



NOTE

ADJ if an Adjust Mission exists; otherwise BLANK
If ADJ, press softkey allows view of pre-shot data for ADJUST phase.

FFE2 if an FFE2 Mission exists; otherwise BLANK
If FFE2, press softkey allows view of pre-shot data for FFE2 phase.

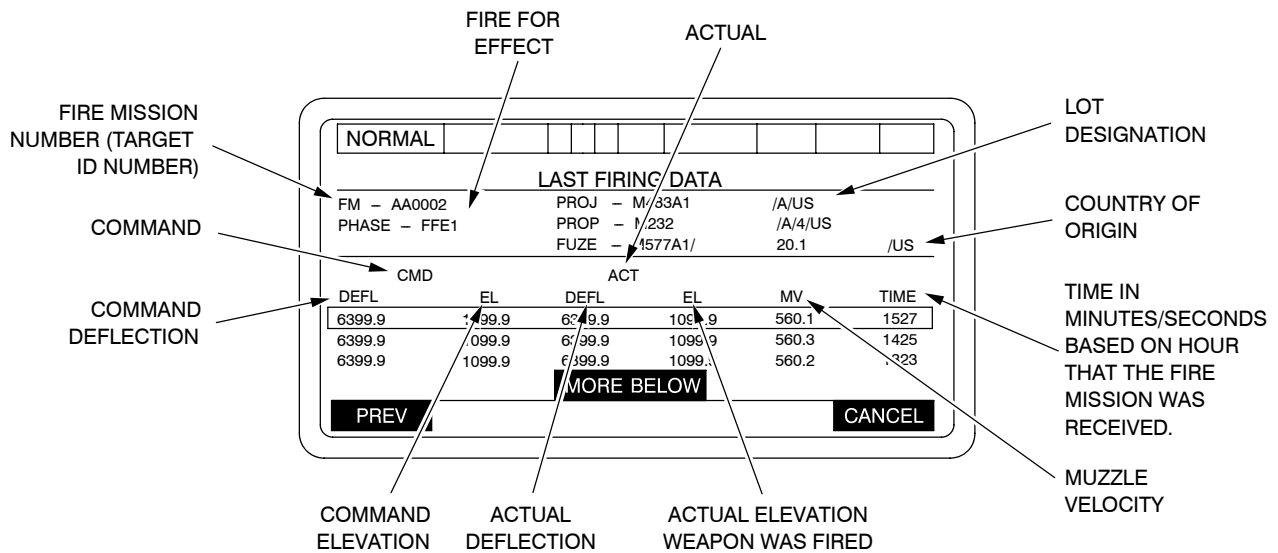
- FFE1** : View pre-shot data for FFE1 phase
- CANCEL** : Return to LAST FIRING DATA menu

06pc147t

2-15 AFCS FIRE MISSION - CONTINUED

2-15.7 System Menus - Continued

2-15.7.12 .1 Last Firing Data - Continued



- PREV** : Returns previous screen for viewing pre-shot data of different phase
- CANCEL** : Return to LAST FIRING DATA menu

06pc148ta

NOTE

If more than 4 shots exist for a particular phase, three will initially be displayed and scrolling will be enabled. As the cursor is scrolled below the first three, two will be displayed, MORE ABOVE will appear on top of the shot data, and MORE BELOW will appear below the shot data.

2-15.7.13 Muzzle Velocity. For more accurate firing data when computing ballistics, measured muzzle velocities are entered into the AFCS. Also, muzzle velocities can be entered as they are measured. This is performed as followed:

WARNING

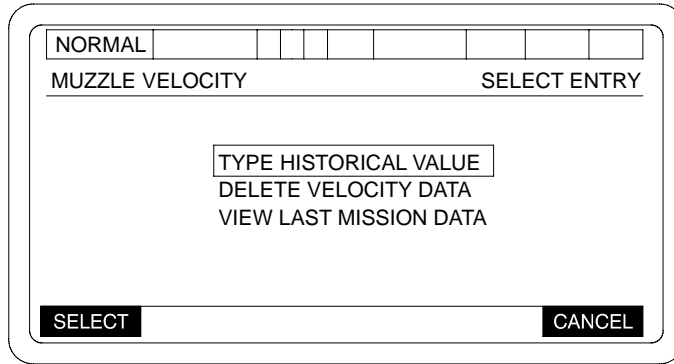
Ensure that correct propellant temperature and shell weights are entered in AFCS. Failure to comply will result in incorrect ballistic computations. This could result in injury or death to friendly troops.

2-15 AFCS FIRE MISSION - CONTINUED

2-15.7 System Menus - Continued

2-15.7.13 Muzzle Velocity - Continued

- a. Box in MUZZLE VELOCITY on SETUP AND INFORMATION menu and press SELECT key to display a MUZZLE VELOCITY screen.



06pc149t

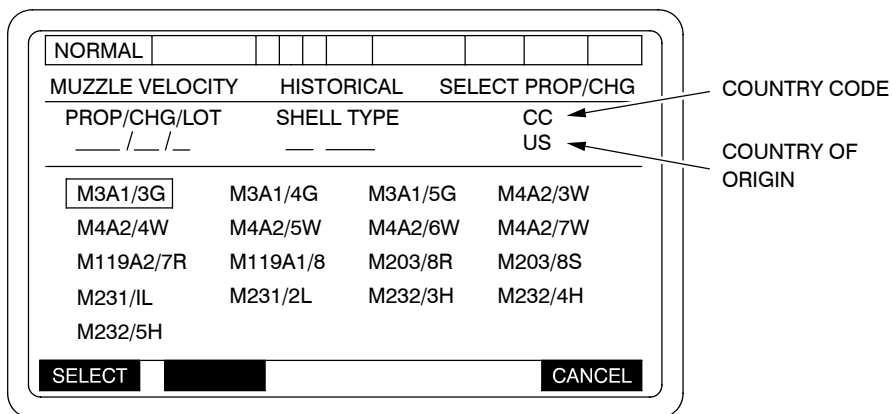
NOTE

Data displayed (PROP TYPE, CHG, SHELL TYPE/LOT, VEL) will be last entered data or default data.

- b. To enter muzzle velocities as they are measured, box in TYPE HISTORICAL VALUE and press SELECT key to display a MUZZLE VELOCITY screen showing PROP/CHG TYPE.

NOTE

The data displayed on the third line of this display is updated as entries are made.



06pc150ta

2-15 AFCS FIRE MISSION - CONTINUED

2-15.7 System Menus - Continued

2-15.7.13 Muzzle Velocity - Continued

- c. Box in PROP/CHG TYPE and press SELECT key. Type selection will be displayed under PROP/CHG TYPE.

NORMAL					
MUZZLE VELOCITY		HISTORICAL		SELECT LOT	
PROP/CHG/LOT		SHELL TYPE		CC US	
//_		_ _			
	B	C	D	E	F
G	H	I	J	K	L
M	N	O		Q	R
S	T	U	V	W	X
Y	Z				
SELECT			CANCEL		

LOTS CORRESPONDING TO SELECTED PROPELLANT TYPE IN AFCS INVENTORY. IF NO LOTS MATCH THEN DISPLAY MESSAGE "NO LOTS MATCH SELECTED PROP TYPE"

SELECT : Will return to MUZZLE VELOCITY SELECT SHELL display

CANCEL : Will return to DISPLAY MUZZLE VELOCITY SELECT PROP LOT display

06pc152t

- d. Box in PROP/LOT and press SELECT. This will select the chosen LOT DESIGNATOR and display the HISTORICAL SHELL TYPE menu.
- e. Select charge, SHELL TYPE/LOT in the same manner as PROP/CHG TYPE. Press CANCEL at any time to return the display to the previous item worked.

NORMAL					
MUZZLE VELOCITY		HISTORICAL		SELECT SHELL	
PROP/CHG/LOT		SHELL TYPE		CC US	
//_		_ _			
M718	M741	M692	M731		
M712	M121A1GB	M687A1	M110H/HD		
M121A1VX	M107DC	M107NC	M449A1		
M483A1	M795	M864	M549/A1		
M485A1/A2	M898	M110WP	M116A1/HC		
M825	M825A1				
SELECT			CANCEL		

CANCEL : Return to DISPLAY MUZZLE VELOCITY SELECT PROP LOT display

SELECT : Will return to MUZZLE VELOCITY ENTER VELOCITY display

06pc151t

2-15 AFCS FIRE MISSION - CONTINUED

2-15.7 System Menus - Continued

2-15.7.13 Muzzle Velocity - Continued

- e. Enter VELOCITY by typing in measured velocity and pressing ENT key. This will also return the display to the SETUP AND INFORMATION menu.
- f. The muzzle velocities entered as historical are the average velocities calculated during calibration.

06pc153t

① WHEN VELOCITY SELECTED OR WHEN NO PROP TEMP ENTRY ALLOWED:

TYPE VELOCITY
-PRESS ENT KEY-

NOTE

- If MVV table is full or if more than 2 entries for a given projectile family/propellant combination are attempted, then a short error message "ERROR-SHELL/RPOP LIMIT" will be generated.
- If the computed velocity variance is outside legal limits, then a short error message "ILLEGAL VELOCITY VALUE" will be generated.

2-15 AFCS FIRE MISSION - CONTINUED

2-15.7 System Menus - Continued

2-15.7.13 Muzzle Velocity - Continued

- g. To delete muzzle velocities, box in DELETE VELOCITY DATA from the Muzzle Velocity screen.

The screenshot shows a terminal window with a header bar containing 'NORMAL' and several empty boxes. Below the header, the text 'MUZZLE VELOCITY' is on the left and 'SELECT ENTRY' is on the right. The main area of the screen displays three menu options: 'TYPE HISTORICAL VALUE', 'DELETE VELOCITY DATA' (which is highlighted with a rectangular box), and 'VIEW LAST MISSION DATA'. At the bottom of the screen, there are two buttons: 'SELECT' on the left and 'CANCEL' on the right.

06pc207m

- h. To delete muzzle velocity by propellant lot box in DELETE BY PROPELLANT LOT and press SELECT.

The screenshot shows a terminal window with a header bar containing 'NORMAL' and several empty boxes. Below the header, the text 'MUZZLE VELOCITY' is on the left and 'DELETE DATA' is on the right. The main area of the screen displays three menu options: 'DELETE BY PROPELLANT LOT/COUNTRY CODE' (highlighted with a rectangular box), 'DELETE BY PROJECTILE FAMILY', and 'DELETE BY DATE'. At the bottom of the screen, there are two buttons: 'SELECT' on the left and 'CANCEL' on the right.

The screenshot shows a terminal window with a header bar containing 'NORMAL' and several empty boxes. Below the header, the text 'MUZZLE VELOCITY' is on the left and 'DELETE BY LOT/CC' is on the right. The main area of the screen displays two empty input fields, each preceded by a small icon. At the bottom of the screen, there are two buttons: 'SELECT' on the left and 'EXIT' on the right.

06pc154t

Lots are displayed only for those propellants not used in the current ammunition inventory. When SELECT key is pressed, a short error message "DELETE VELOCITY DATA" "YES" "NO" will be shown and CANCEL will be displayed on initial entry. EXIT will be displayed once a lot has been deleted. Selecting YES causes the velocity data for the selected propellant lot to be deleted. Selecting NO allows re-selection of a propellant family. When data is being retrieved and sorted you will receive the following message:

"RETRIEVING LIST PLEASE WAIT"

If no lots are available for deletion, the SELECT key will be blanked. You will have a CANCEL at soft key 4 and the message "NO LOTS TO DELETE" will be displayed.

2-15 AFCS FIRE MISSION - CONTINUED

2-15.7 System Menus - Continued

2-15.7.13 Muzzle Velocity - Continued

- i. To delete muzzle velocity by projectile family, box in DELETE BY PROJECTILE FAMILY and press SELECT.

A screenshot of a terminal menu. At the top, there is a header 'NORMAL' followed by several empty boxes. Below that, the menu title 'MUZZLE VELOCITY' is on the left and 'DELETE BY FAMILY' is on the right. In the center, a list of projectile families is shown: HE, ICM, RAP, BB, and CPH. At the bottom of the menu, there are two buttons: 'SELECT' on the left and 'CANCEL' on the right.

06pc155t

When the SELECT key is pressed, a short error message “DELETE VELOCITY DATA” “YES” “NO” will be shown and CANCEL will be displayed. Selecting YES causes the velocity data to be deleted. Selecting NO allows re-selection. EXIT will be displayed once a projectile family has been deleted.

All Family selections shall be displayed on initial entry to this menu. Once a family has been deleted, its selection entry is removed from the menu.

- j. To delete muzzle velocity by the date box in DELETE BY DATE and press SELECT.

A screenshot of a terminal menu. At the top, there is a header 'NORMAL' followed by several empty boxes. Below that, the menu title 'MUZZLE VELOCITY' is on the left and 'DELETE BY DATE' is on the right. The main text in the center reads: 'CURRENT DTG IS YY:MM:DD:HHMM', followed by a small input box containing ': : :'. Below that, it says 'ALL VELOCITY DATA OLDER THAN THE ENTERED DTG WILL BE DELETED' and 'TYPE IN DTG-YY:MM:DD:HHMM'. At the bottom, it says '-PRESS ENT KEY-'. At the bottom right, there is a 'CANCEL' button.

06pc211m

NOTE

When ENTER key is pressed a validity check is performed on the entered Date/Time. If the Date/Time data is invalid, you will receive a short error message: “INVALID DATE/TIME DATA” “ACK” You will be required to enter a new Date/Time value. If the Date/Time data is valid, you will receive a short error message: “DELETE VELOCITY DATA” “YES” “NO.” YES causes all velocity data older than the entered DTG to be deleted. NO allows re-entry of the DTG.

2-15 AFCS FIRE MISSION - CONTINUED

2-15.7 System Menus - Continued

2-15.7.13 Muzzle Velocity - Continued

- k. To view last mission velocity data, box in VIEW LAST MISSION DATA from the Muzzle Velocity screen.

The screenshot shows a menu interface with a title bar containing 'NORMAL' and several empty boxes. Below the title bar, 'MUZZLE VELOCITY' is on the left and 'LAST MISSION DATA' is on the right. The main area contains three lines of text: 'ADJ VELOCITY ____.-', 'FFE1 VELOCITY ____.-', and 'FFE2 VELOCITY ____.-'. At the bottom right, there is a black button labeled 'CANCEL'.

06pc212m

2-15.7.14 Muzzle Velocity Variance (MVV).

To set the number of rounds that will be used in calculating muzzle velocity variances, select the MVV ROUNDS from the SETUP AND INFORMATION screen.

- NOTE: 1. The entry field will display the current MVV rounds selected and will default to 4 on systems initialization.
2. To use the MVV, you must have an extended lot code in the AFCS inventory.

The screenshot shows a menu interface with a title bar containing 'NORMAL' and several empty boxes, followed by 'NA W' and more empty boxes. Below the title bar, 'SETUP AND INFORMATION' is centered. A list of options follows: '* TOT RESPONSE', '* LOAD ELEVATION', '* SET DATE/TIME', '* SECTOR OF FIRE', '* BCS DATA XFER', 'RECEIVED MSG', '* ENTER MAP/DATUM', 'WARNING MSG', '* NAV UPDATE', 'MAX TUBE EL', '* AMMO INVENTORY', 'SITE DATA', '* PROP TEMP', 'SEND CHECKFIRE', and '*MVV ROUNDS' (which is highlighted with a box). At the bottom, there are two black buttons: 'SELECT' and 'NEXTPAGE'.

06pc611m

The screenshot shows a menu interface with a title bar containing 'NORMAL' and several empty boxes. Below the title bar, 'MVV ROUNDS' is centered. In the center of the screen, the number '4' is displayed inside a small box. Below this, the text reads 'TYPE MINIMUM ROUNDS FOR COMPUTING MVV' and '1 TO 9'. At the bottom, it says '- PRESS ENT KEY -'. At the bottom right, there is a black button labeled 'CANCEL'.

06pc610m

2-15 AFCS FIRE MISSION - CONTINUED

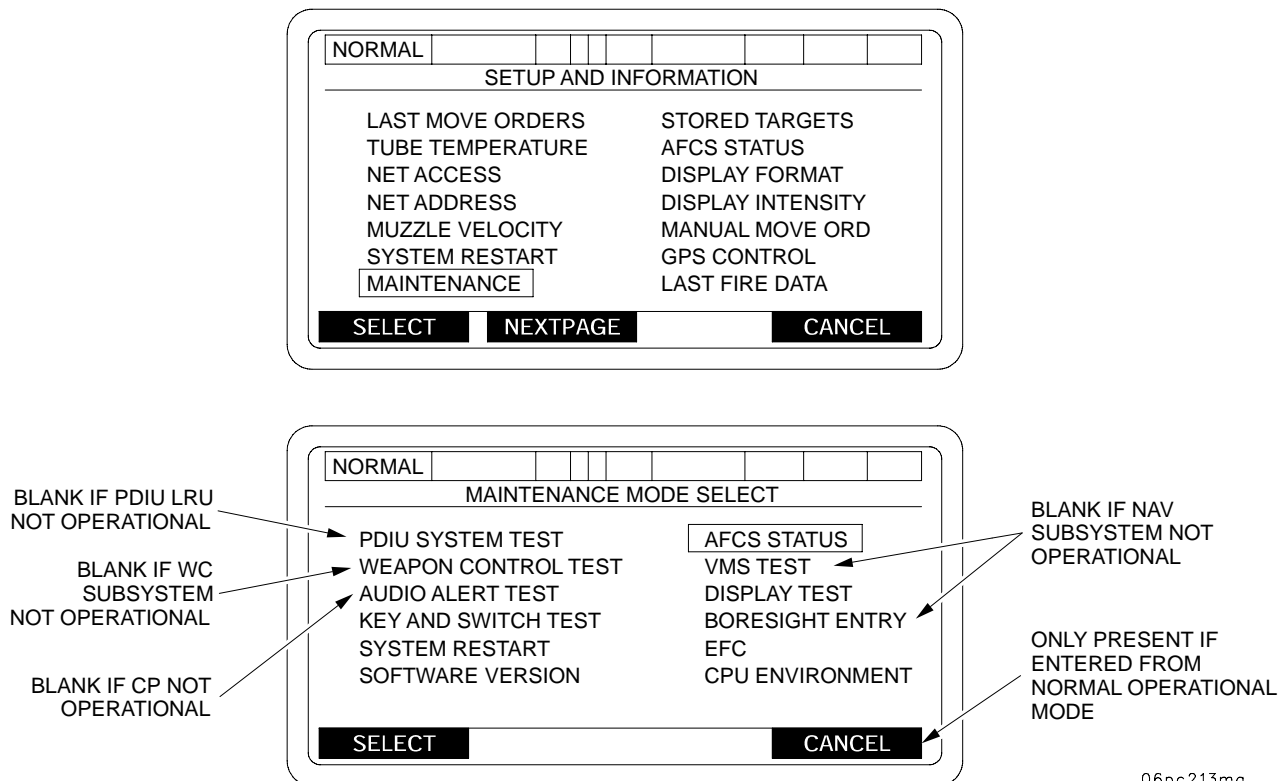
2-15.7 System Menus - Continued

2-15.7.15 Operational Maintenance Transition.

The AFCS will provide the capability for the AFCS operator to transition from NORMAL OPERATIONAL MODE functions to MAINTENANCE MODE functions and back to NORMAL OPERATIONAL MODE without having to POWER DOWN, perform SYSTEM RESTART, or perform NORMAL OPERATIONAL MODE initialization procedures. This capability will only be available when the AFCS has successfully completed an NORMAL OPERATIONAL MODE initialization. Selection of the MAINTENANCE MODE from the AFCS MODE SELECTION display will not allow the AFCS operator to transition to NORMAL OPERATIONAL MODE without first having to POWER DOWN, perform SYSTEM RESTART, or do a NORMAL OPERATIONAL MODE "INITIALIZATION" procedure.

When MAINTENANCE MODE functions are selected from the AFCS NORMAL OPERATIONAL MODE, the PDIU will be directed to limit instructive testing to only respond to Fire Mission requests. When MAINTENANCE MODE is entered from the AFCS SELECT OPERATIONAL MODE display, the PDIU will be allowed to perform its full range of intrusive tests.

If a Fire Mission is received while the AFCS is in a MAINTENANCE MODE function which was activated from the NORMAL OPERATIONAL MODE, the operator will be prompted to either accept or reject the mission. NORMAL OPERATIONAL acceptance of the mission will automatically terminate all MAINTENANCE MODE function activity and transition to NORMAL OPERATIONAL MODE Fire Mission processing. Operator rejection of the mission will cause an operator ABORT of the Fire Mission and will cause the AFCS to remain in the currently active MAINTENANCE MODE function.



06pc213ma

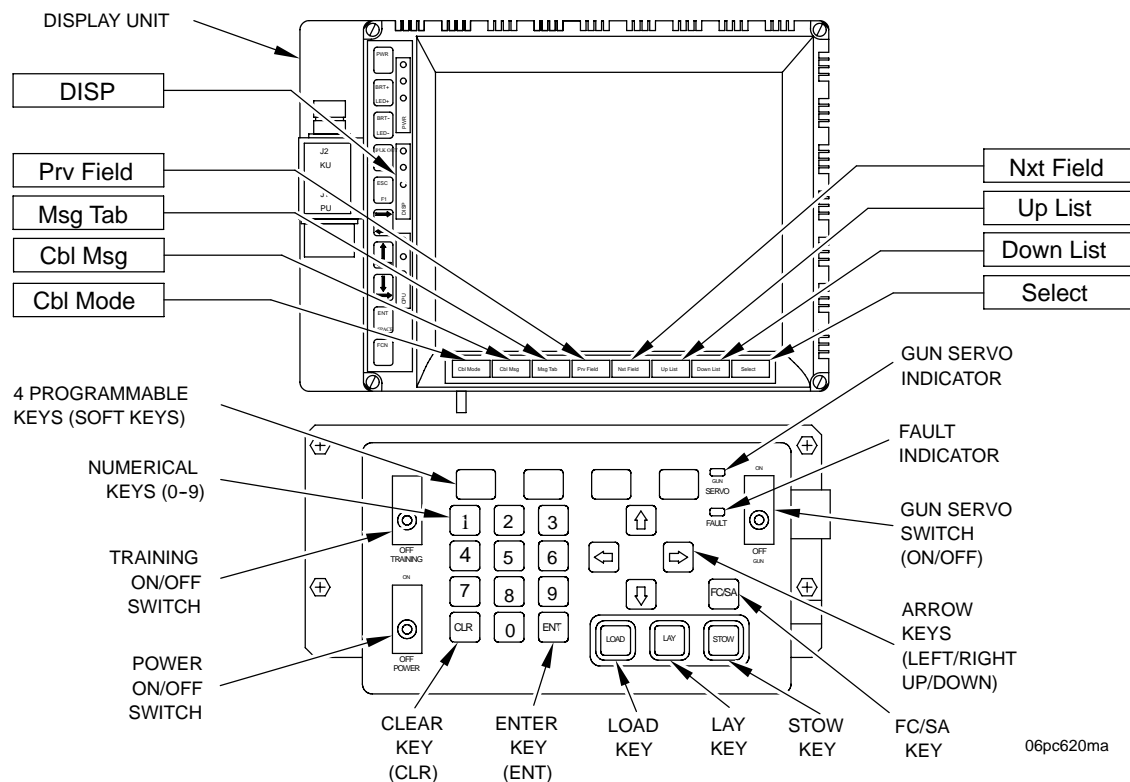
2-15A OPERATION OF PALADIN DIGITAL FIRE CONTROL SYSTEM (PDFCS).

2-15A.1 PDFCS Operating Modes.

PDFCS has two operational modes: Fire Control (FC) and Force XXI Battle Command Brigade and Below (FBCB2), each of these is as discussed below. Since the primary function of PDFCS is Fire Control, the terms "PDFCS" and "FC" are often used interchangeably. Since the primary function of FBCB2 is Situational Awareness (SA), the terms "FBCB2" and "SA" are often used interchangeably.

2-15A.1.1 FC Mode refers to the PDFCS functionality to provide for fire control net connectivity, FC unit commands, fire mission messages, and Paladin system controls. The PDFCS has automatic mode control for FC mode to automatically take charge of the display upon receipt of a FC message. The operator has the capability to switch between FC and SA modes of operations.

Fire Control functions are performed during three operating modes. These modes are Training, Normal Operations, and Maintenance.



2-15A.1.1.1 Training Mode. The PDFCS has a Built-In Training Device (Embedded Trainer). This can be used as a tutorial device to train, maintain, improve, and evaluate crew efficiency/performance. This function allows for simulating Move and Fire Missions under a variety of battlefield scenarios. These include: Shoot Heavy, Move Heavy, Modified Balanced, as well as Degraded conditions for Fire Control, all without need for radio communications (PDFCS simulates all radio communications so training can be accomplished without POC assets). In addition, the Embedded Trainer can be run from a Beginner's Tutorial option through a full scale scenario.

2-15A.1.1.2 Normal Operation Mode. During the normal operation mode, there are submodes which make up initializing the system navigation, emplacement, and firing the howitzer. These submodes are initialization, travel, and fire mission.

2-15A OPERATION OF PALADIN DIGITAL FIRE CONTROL SYSTEM (PDFCS).

2-15A.1 PDFCS Operating Modes - Continued

2-15A.1.1.3 Maintenance Mode. This mode is designed to be used by the crew to do initial troubleshooting of a failure in the PDFCS, isolate to an LRU and expedite repair, and view detailed software configuration information for each LRU/CPCI.

NOTE

In the SA mode, M109A6 crews should not respond to either of the following FBCB2 message alerts:

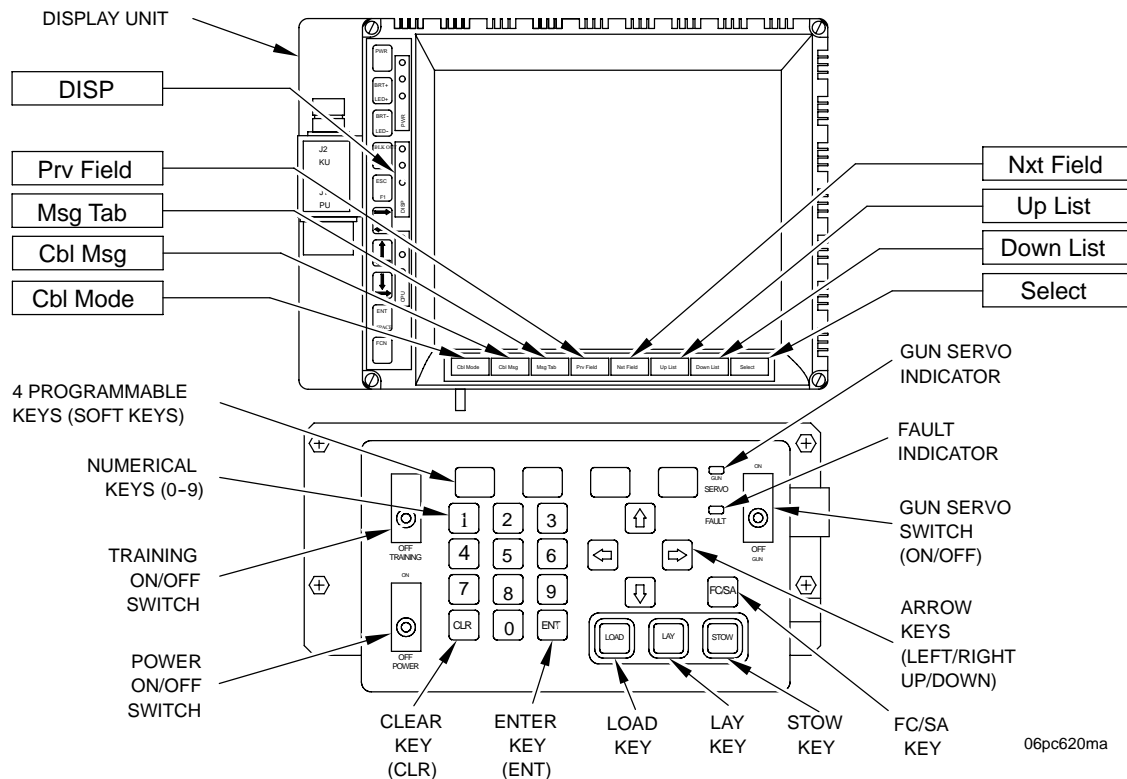
- Fire Mission
- Check Fire

These messages should only be acted upon when received in the Fire Control (FC) mode.

2-15A.1.2 FBCB2 (SA) mode refers to Situational Awareness and Command and Control (C2) operations provided by FBCB2. This mode provides connectivity to the Tactical Internet, a constantly updated SA picture (friendly and reported enemy/other positions, danger areas and obstacles), FBCB2 system controls as well as report, alert, planning, overlay, logistic, coordination and fire support messages.

2-15A OPERATION OF PALADIN DIGITAL FIRE CONTROL SYSTEM (PDFCS).

2-15A.2 PDFCS Operating Controls and Indicators



- a. GUN SERVO Indicator Lamp. This amber indicator lamp will come on only during PDFCS movement of the weapon. Additionally, the lamp stays on when the servos position the weapon on command LAY.
- b. GUN SERVO ON/OFF Switch. This toggle switch enables gun servo units. Lifting guard and placing switch in ON position allows PDFCS to control gun servo valves. (This is required for Gun Laying by PDFCS, also needed for STOW and LOAD commands by PDFCS.) Closing switch guard will automatically place switch in OFF position.
- c. Arrow Keys (up/right/down and left). Pressing proper key will move highlighted area of display on PDU.

2-15A OPERATION OF PALADIN DIGITAL FIRE CONTROL SYSTEM (PDFCS) - CONTINUED

2-15A.2 PDFCS Operating Controls and Indicators - Continued

- d. FAULT Indicator Lamp. This indicator lamp will come on when a failure has been detected by internal BIT of PDFCS.
- e. STOW Key. With GUN switch ON, pressing STOW key will automatically return gun to a position above the travel lock. (Final tube positioning to secure gun in travel lock must be done with gunner's/COS control handles.)
- f. LAY Key. With GUN switch ON, pressing LAY key will automatically drive gun to Commanded (CMD) position by PDFCS (in proper azimuth and elevation).
- g. LOAD Key. With GUN switch ON, pressing LOAD key during high firing angles will automatically return gun to a preselected low elevation angle. This allows easier loading of gun.
 - (1) During Fire Mission. Pressing LOAD key during a Fire Mission will return gun to preselected load elevation and traverse gun to LAY position.
 - (2) Prior to Fire Mission. Pressing LOAD key prior to a Fire Mission (Section in Order) will return gun to preselected load elevation and traverse to Final Protective Fire (FPF) azimuth.

NOTE

If there is no FPF, the gun will traverse to the assigned center sector of fire.

- h. KEYPAD (Numerals 0 through 9, CLR--clear, and ENT--enter keys). These keys are used for entering data. The CLR key is used to delete a numeric entry within the cursor field on the display. The ENT key is used to insert a numeric entry into highlighted field on the display.

NOTE

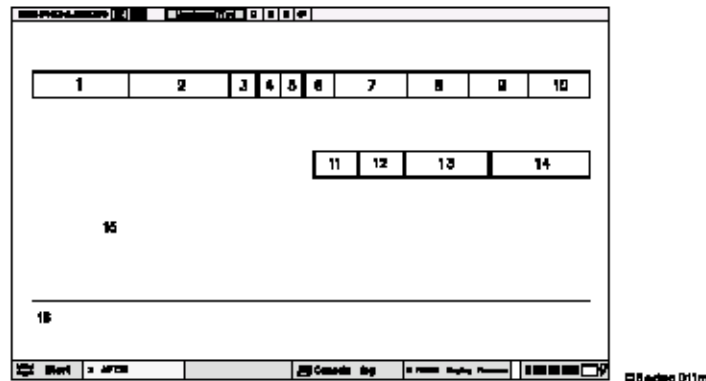
If PDFCS POWER is switched to OFF, alignment data will have to be reentered at next power up. Navigation Restart is a 15-minute procedure. Closing switch guard will not place this switch in OFF position. Switch must be manually put in OFF position.

- i. POWER ON/OFF Switch. Lifting the guard and placing switch in ON position powers up PDFCS. System will then automatically perform self-test (BIT). After BIT, PDFCS will control gun hydraulics when GUN ON/OFF switch is ON. At this time, some gun movement may occur. Do not power down PDFCS when entering/exiting different modes. After PDFCS has been powered down, the PDFCS will power up and be operational in approximately 3-4 minutes.
- j. TRAINING ON/OFF Switch. Lifting the guard and placing switch in ON position while PDFCS is at the select operating mode menu allows operator to select Training Mode. (To exit Training Mode, either finish scenario and exit via appropriate soft key, or place TRAINING ON/OFF switch to OFF and select appropriate soft key to exit.)
- k. Soft Keys (four). Function of keys depends on menu being displayed (worked). Lowest display line identifies function.
- l. FC/SA Key. This key is used to toggle the display between PDFCS (FC) and FBCB2 (SA) modes.

2-15A OPERATION OF PALADIN DIGITAL FIRE CONTROL SYSTEM (PDFCS) - CONTINUED

2-15A.2 PDFCS Operating Controls and Indicators - Continued

- m. PDFCS Display Unit (PDU). The PDU displays both FC and SA screens. If the fire control screen is active, the FBCB2 screen can be activated by pressing the FC/SA key on the keypad. If the FBCB2 screen is active, the fire control screen can be activated by pressing the FC/SA key on the keypad. If a user is viewing FBCB2, the display will automatically switch the FC screen if important fire control alerts occur. The PDFCS keypad buttons are disabled when FBCB2 is displayed. The PDFCS keypad is only used in conjunction with functions. All FBCB2 functions are performed using the touchscreen. When the FC screen is displayed, the format will show possible fire mission data fields, advisory messages, instructions and commands. The data fields in the FC screen are numbered as follows:



- (1) Field 1, PDFCS Operational Mode - The following can appear:

NORMAL - This indicates that the NORMAL OPERATIONAL mode is selected.

EMB TNG - This indicates that the TRAINING mode is selected.

MAINT - This indicates that the maintenance mode is selected.

REV XX - This indicates system software version identifier. Shown only until an PDFCS mode selection is made.

(blank) - This indicates that the Fire Control software is undetermined.

- (2) Field 2, FIRE MISSION STATUS - The following can appear:

CHKFIRE - This indicates that a checkfire status exists on the PDFCS. This message will appear in inverse video.

FIREMSN - This indicates that the PDFCS is performing a fire mission. This message will appear in inverse video.

(blank) - This indicates that the PDFCS is in normal operating status awaiting orders.

- (3) Field 3, MOVE ORDER INDICATOR - The following data may appear.

MO - This indicates that the PDFCS has an active move order. This indicator will appear in inverse video.

(blank) - This indicates that there is no move order active.

2-15A OPERATION OF PALADIN DIGITAL FIRE CONTROL SYSTEM (PDFCS) - CONTINUED

2-15A.2 PDFCS Operating Controls and Indicators - Continued

(4) Field 4, WARNING MESSAGE INDICATOR -

W - If the letter W appears in inverse video a warning message has been queued.

(blank) - This indicates that there are no warning messages for the operator to view.

(5) Field 5, RECEIVED MESSAGE INDICATOR -

R - If the letter R appears in inverse video a received message has been queued.

(blank) - This indicates that there are no received messages for the operator.

(6) Field 6, ALIGN TIME TO GO INDICATOR - This three (3) character field indicates that the PDFCS is performing navigation alignment and should be complete in "nnn" (0...900) seconds or indicates that the PDFCS has initiated a command sequence with the Navigation Device. Following are the data that may appear in this field, in highest to lowest priority order:

ZPT - This indicates that the DRU has indicated a ZUPT Stop has been requested.

CMD - This indicates that the PDFCS has initiated a command sequence with the Navigation Device and the command sequence has not yet been completed.

POS - This indicates that the Navigation Device has requested a position update.

nnn - This three digit number indicates the number of seconds remaining before navigation alignment is complete. If the most significant digit is not the left most digit, the value will be padded with zeros on its left side.

(blank) - If the field is blank then the PDFCS is not undergoing navigational alignment.

(7) Field 7, FUNCTION STATUS - Indicates the status of the various PDFCS functions. The following data may appear in this field when in normal or training operational modes:

"NACW" - Each letter of this string indicates that a function is not available or non-operational. The letters represent the status of the following functions:

"N" - Navigation function

"A" - GPS Aiding function

"C" - Communications Function

"W" - Weapon Control Function

" " - Spare

(blank) - The absence of a letter indicates that the associated function is available.

(8) Field 8, LOAD KEY STATUS - this four (4) character field indicates the status of the load key. The following data may appear in this field:

LOAD - This indicates that the load key is active. If this field is highlighted, it indicates that the tube is within the load elevation.

(blank) - This indicates that the load key is inactive.

2-15A OPERATION OF PALADIN DIGITAL FIRE CONTROL SYSTEM (PDFCS) - CONTINUED

2-15A.2 PDFCS Operating Controls and Indicators - Continued

- (9) Field 9, LAY KEY STATUS - This three (3) character field indicates the status of the LAY key. The following may appear in this field:

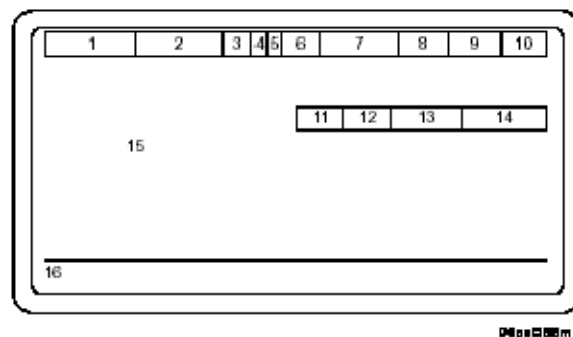
LAY - This indicates that the LAY key is active. If this field is highlighted, it indicates that the tube is at the latest LAY commands.

(blank) - This indicates that the LAY key is inactive.

- (10) Field 10, STOW KEY STATUS - This three (3) character field indicates the status of the STOW key. The following data may appear in this field:

STOW - This indicates that the STOW key is active. If this field is highlighted it indicates that the tube is within the STOW position.

(blank) - This indicates that the STOW key is inactive.



- (11) Field 11, Mission Priority - The following may appear:

FPF - This indicates that the mission is a Final Protective Fire mission.

PRI - This indicates that the mission is a Priority mission.

(blank) - This indicates that the mission is a Normal mission.

- (12) Field 12, Mission Urgency - The following may appear:

DC - This indicates that the mission has an associated Danger Close status.

TOT - This indicates that the PDFCS is processing a Time On Target fire mission.

(blank) - This indicates that the PDFCS has Normal urgency for this mission.

- (13) Field 13, Tube Temperature Status - One of the following three will appear:

COLD - This indicates that the tube temperature is in a cold status.

WARM - This indicates that the tube temperature is in a warm status.

HOT - This indicates that the tube temperature is in a hot status.

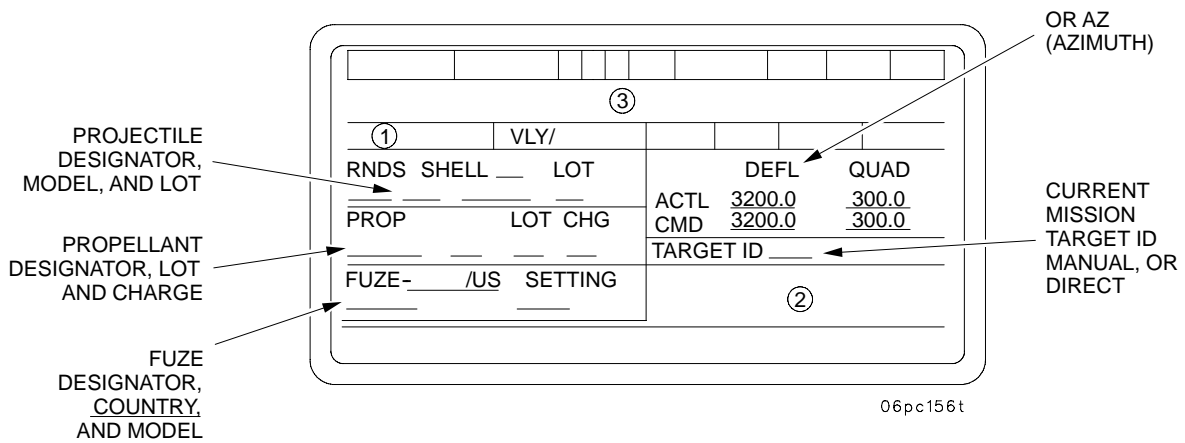
(blank) - This indicates that the tube temperature is not available.

2-15A OPERATION OF PALADIN DIGITAL FIRE CONTROL SYSTEM (PDFCS) - CONTINUED

2-15A.2 PDFCS Operating Controls and Indicators - Continued

- (14) Field 14, Safe Time in Tube Status - This indicates the current safe time for a round to be in the tube. The time is shown in minutes; refer to para 2-17d. When the tube is cold, this indicator is blank to indicate that there is no limit on the safe time in the tube.
- (15) Field 15, Various instructions and warnings will appear in this area, as necessary. Some of the advisory messages and/or instructions displayed in field 15 are listed below:

Instructions and warnings which could appear on the FIRE MISSION DISPLAY:



Listed below are the legal values for each field of fire mission display.

VLY / = current volley being displayed: 1/1, 1/2 or 2/2

NOTE

The 1/1, 1/2, and 2/2 data shall not be displayed for operator initiated fire missions and missions that are in fire commands format.

- RNDS = Number of rounds remainin to fire 1..99
- SHELL = Shell model and mnemonic
- SHELL LOT = A..Z
- PROP = Propellant model
- PROP LOT = A..Z
- CHG = Propellant charge designator (see Table 2-1)
- FUZE = Fuze model, Country and mnemonic
- SETTING = Computed fuze setting, "PD" or "DELAY"
- DEFL or AZ = 0.0..6399.9 mils
- QUAD = -200.0+1600.0 mils
- TARGET ID = Current mission target identification

2-15A OPERATION OF PALADIN DIGITAL FIRE CONTROL SYSTEM (PDFCS) - CONTINUED

2-15A.2 PDFCS Operating Controls and Indicators - Continued

- (1) Blank field1 = Fire mission is not a sheaf
 SHEAF PT = This gun is participating in a multigun sheaf
 SHEAF a/s = This gun is conducting a single gun sheaf
 where: a..Current aimpoint number; b..Number of sheaf points

NOTE

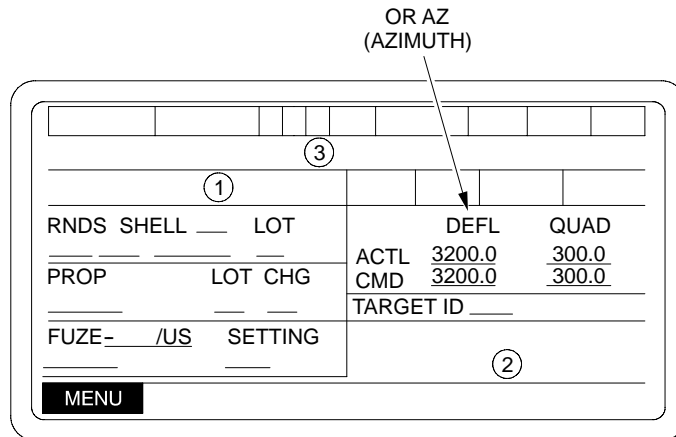
Some of the alerts listed below will result in a "OK TO SHOOT? YES, NO" short error message to the PDFCS operator.

- (2) Blank field 2 = displayed when none of the following apply
 REMEMBER TO UPDATE INVENTORY = Direct or manual fire mission and none of the following apply
 WARNING TUBE IS NOT IN LAY POSITION = WC is operational and the tube is not in the lay window
 TUBE MUST BE LAID MANUALLY = WC is not operational
 CALL FDC IF ROUND IN TUBE = Awaiting tube clear and crew not authorized to fire
 PRESS SHOT OR CLEAR TO ACK CEASELOAD = PDFCS has received a ceaseload request
 SECTOR OF FIRE VIOLATION = Gun-target line is outside the defined sector of fire
 SITE VIOLATION = Firing parameters violate defined mask
 INSUFFICIENT AMMO SHELL/FUZE/PROP = Insufficient inventory quantities
 INSUFFICIENT AMMO SHELL/FUZE = Insufficient inventory quantities
 INSUFFICIENT AMMO SHELL/PROP = Insufficient inventory quantities
 INSUFFICIENT AMMO FUZE PROP = Insufficient inventory quantities
 INSUFFICIENT AMMO SHELL = Insufficient inventory quantities
 INSUFFICIENT AMMO FUZE = Insufficient inventory quantities
 INSUFFICIENT AMMO PROP = Insufficient inventory quantities
 MAX TUBE EL EXCEEDED = Computed QE exceeds the defined maximum tube elevation.
 MINIMUM QE VIOLATED = The Gun Tube has violated the minimum QE as entered by the PDFCS operator. Enter Minimum Firing QE Display.
- (3) Blank field 3 indicates that none of the following apply
 FIRE WHEN READY = Fire at will
 UNDER VOICE ORDERS = Manual fire mission
 COMPUTING DO NOT LOAD = PDFCS computing or waiting for operator response
 DO NOT LOAD = Do not load mission
 LOAD LAY THEN PRESS READY = At my command or Copperhead mission
 WAIT FOR COMMAND = At my command after ready
 WAIT XXX SECONDS = Time to fire mission or continuous interval mission
 FIRE = Command to fire
 FPF END OF MISSION = EOM of ceaseload during FPF
 EARLY END OF MISSION = EOM received after load but before all rounds fired
 CEASELOAD = Ceaseload received after load but before all rounds fired

2-15A OPERATION OF PALADIN DIGITAL FIRE CONTROL SYSTEM (PDFCS) - CONTINUED

2-15A.2 PDFCS Operating Controls and Indicators - Continued

Instructions and warnings which could appear on the SECTION IN ORDER DISPLAY are as follows.



06pc157ta

(1) Blank field 1, indicates that none of the following conditions apply:

- COMPUTING FPF/PRI
- NO FPF/PRI EXISTS
- UNABLE TO COMPUTE
- MASK TRAJ FAILURE
- SECTOR VIOLATION
- MASK VIOLATION
- INSUFFICIENT AMMO
- NO FUZE INVENTORY
- NO PROJ INVENTORY
- NO PROP INVENTORY
- BAD PROJ LOT/MODEL
- NO AMMO INV COMBO
- INVALID AMMO COMBO
- INSUFFICIENT RANGE
- NO SOLUTION
- NO FFE TYPE MISSION
- UNASSIGNED FPF/PRI
- BAD FPF/PRI LOC
- TARGET TOO CLOSE
- MAX TUBE EL EXCEEDED

2-15A OPERATION OF PALADIN DIGITAL FIRE CONTROL SYSTEM (PDFCS) - CONTINUED

2-15A.2 PDFCS Operating Controls and Indicators - Continued

(2) Instructions and warnings which could appear in field (2):

SECTION IN ORDER AT FIRE POINT
SECTION IN ORDER WITHIN FIRE AREA

(3) Instructions and warnings which could appear in field (3):

DO NOT MOVE/DO NOT LOAD
DO NOT MOVE
MOVES ALLOWED
MOVES ALLOWED DO NOT LOAD

Table 2-1 Charge Displayed Based on Propellant Model

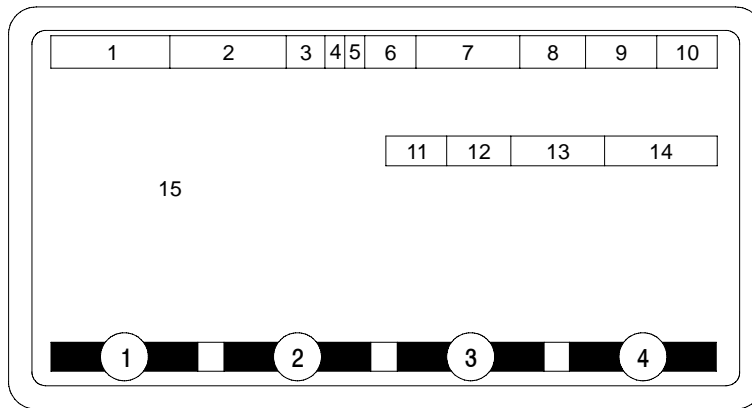
Charge Displayed	Based on propellant model
3G, 4G, 5G	M3, M3A1, M3A1BG, M3C2, DM62
3G, 4G, 5G, 6G	MLE56
6W, 7W, 8W, 9W, 9BW	MLE69
3W, 4W, 5W, 6W, 7W	M4A1, M4A2, M4C3, M4C4, DM42, DM42B1, NM23
8	M119A1, EBO-5
7R	M119A2, M119A2BG, NR13C1
8R	M203
8S	M203A1
1L, 2L	M231
3H, 4H, 5H	M232

2-15A OPERATION OF PALADIN DIGITAL FIRE CONTROL SYSTEM (PDFCS) - CONTINUED

2-15A.2 PDFCS Operating Controls and Indicators - Continued

(16) Field 16, Function Key Label - This block is used to identify the function of the four soft keys.

Soft key messages and task actions are also displayed in this area to give the PDFCS operator a means of keeping track of various PDFCS related actions during Fire Control operation. Typical messages are shown below:



06pc088m

- | | |
|--|---|
| <p>(1) Function Key 1, indicates what may appear in this field.
 SELECT
 NEXT MSG
 +/-
 MARK
 ADJ
 PREV
 MENU
 VERIFY
 PREV</p> | <p>(3) Function Key 3, indicates what may appear in this field.
 CHECK
 DELETE
 YES
 USE GPS
 EMPLACE
 STEERTO
 FFE2
 SEND
 CLEAR
 EXPECTED</p> |
| <p>(2) Function Key 2, indicates what may appear in this field.
 USE ALL
 FINISHED
 NEXT PAGE
 +/-
 FINISHED
 USE LOCAL
 FFE1
 INVENTORY
 ARRIVED
 UPDATE EFC
 CLEAR</p> | <p>(4) Function Key 4, indicates what may appear in this field.
 CANCEL
 ACK
 EOM
 NO
 CONTINUE
 MOVING
 EXIT
 ABORT</p> |

2-15A OPERATION OF PALADIN DIGITAL FIRE CONTROL SYSTEM (PDFCS) - CONTINUED

2-15A.2 PDFCS Operating Controls and Indicators - Continued

URGENT MESSAGE

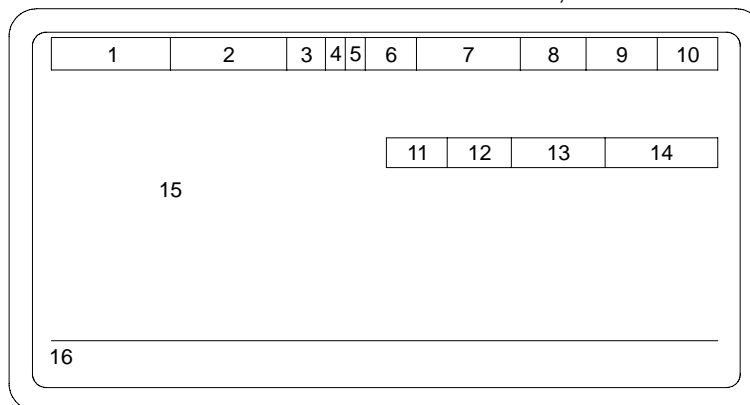
“AFCS CHECKFIRED”, “ACK”

HIGH PRIORITY MESSAGES

- “GUN SW FAULT”, “ACK”
- “FIRE MISSION RECEIVED”, “ACK”
- “POWER FAILURE SHUTDOWN”, “ACK”
- “ON AUX POWER START VEHICLE”, “ACK”
- “AUX BATTERY NOT CONNECTED”, “ACK”
- “VEHICLE AND AUX POWER OK”, “ACK”
- “NAV OUT-NSP POWER UP BIT”, “ACK”
- “NAV EXCESSIVE RATE RESTART REQ”, “ACK”
- “ALIGN ABORTED RESTART REQD”, “ACK”
- “MAP UPDATED NAV UPDT REQUIRED”, “ACK”
- “MAP/NAV CONFLICT UPDATE NAV”, “ACK”
- “OVERRIDE AZ LIMITS”, “YES”, “NO”
- “NAV OUT-DRU BIT FAIL”, “ACK”
- “NAV OUT-DRU DISCONNECT”, “ACK”
- “NAV OUT-NSP DISCONNECT”, “ACK”
- “AUX POWER LOW”, “ACK”
- “FIRE MISSION RCVD”, “ACCEPT”, “REJECT”
- “MAP DATUM UPDATE REQUIRED”, “ACK”
- “NAV OUT-DRU INERTIAL FAIL”, “ACK”
- “NAV OUT-DRU OP FAIL”, “ACK”
- “MOVE MISSION RECEIVED”, “ACK”

LOW PRIORITY MESSAGES

- “INVALID SOFTWARE CONFIGURATION”, “ACK”
- “NAV POS UPDATE REQUIRED”, “ACK”
- “NAV POS UPDATE NO LONGER REQ”, “ACK”
- “ZUPT REQUIRED”, “ACK”
- “ZUPT NO LONGER REQUIRED”, “ACK”
- “MOTION DURING POS UPDATE”, “ACK”
- “POS UPDATE INTERRUPTED”, “ACK”
- “POS UPDATE N/E EXCESSIVE”, “ACK”
- “POS UPDATE N/E RJTD”, “ACK”
- “POS UPDATE ALTITUDE EXCESSIVE”, “ACK”
- “POS UPDATE ALTITUDE RJTD”, “ACK”
- “NAV RESTART RJTD VEH MOVING”, “ACK”



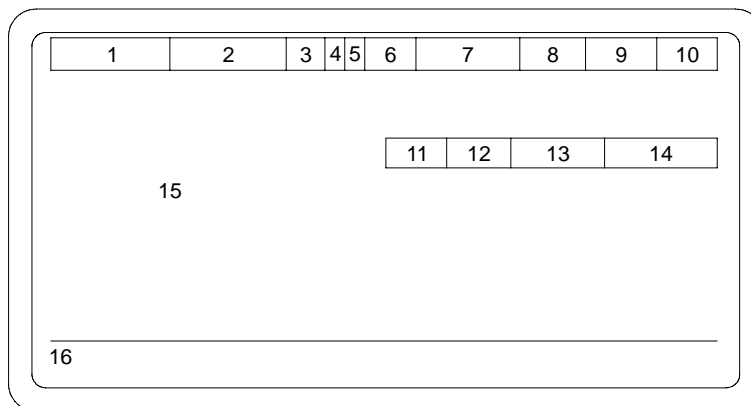
06pc088m

2-15A OPERATION OF PALADIN DIGITAL FIRE CONTROL SYSTEM (PDFCS) - CONTINUED

2-15A.2 PDFCS Operating Controls and Indicators - Continued

LOW PRIORITY MESSAGES - CONTINUED

"NET ADDR RJTD NEW SUBSBR FILE", "ACK"
 "INVALID OPERATIONAL MODE", "ACK"
 "NET CFGD UPDTE RJTD FM ACTIVE", "ACK"
 "NET ADDR UPDTE RJTD FM ACTIVE", "ACK"
 "NAV RESTART RJTD FM ACTIVE", "ACK"
 "UPDATE RJTD WRONG NAV MODE", "ACK"
 "AFCS COMMO OUT XMIT RJTD", "ACK"
 "CLOCK UPDATE RJTD FM ACTIVE", "ACK"
 "NAV RESTART RJTD BAD POS", "ACK"
 "WPN OUT", "ACK"
 "WC SUBSYSTEM OUT", "ACK"
 "TUBE TEMP SENSOR OUT", "ACK"
 "COMMO OUT", "ACK"
 "NETWORK COMMO OUT", "ACK"
 "POS UPDATE RJTD BAD POS", "ACK"
 "POS UPDATE RJTD HOWITZER MOVG", "ACK"
 "POS UPDATE RJTD FM ACTIVE", "ACK"
 "POS UPDATE RJTD VEH MOTION", "ACK"
 "RESTART RJTD NAV OUT", "ACK"
 "POS UPDATE RJTD WRONG NAV MODE", "ACK"
 "NET BUSY AMMO", "RETRY", "NO RETRY"
 "NET BUSY REQ AMMO", "RETRY", "NO RETRY"
 "NET BUSY CHECKFIRE", "RETRY", "NO RETRY"
 "NET BUSY DESIGNATE", "RETRY", "NO RETRY"
 "NET BUSY FREE TEXT", "RETRY", "NO RETRY"
 "NET BUSY VEH STS", "RETRY", "NO RETRY"
 "NET BUSY REQ VEH STS", "RETRY", "NO RETRY"
 "NET BUSY REQ INIT", "RETRY", "NO RETRY"
 "NET BUSY SITE DATA", "RETRY", "NO RETRY"
 "NET BUSY REQ SITE", "RETRY", "NO RETRY"
 "NET BUSY REQ MOV ORD", "RETRY", "NO RETRY"
 "NET BUSY MTO TOF", "RETRY", "NO RETRY"
 "NET BUSY MTO DENY", "RETRY", "NO RETRY"
 "POSITION UPDATE RJTD NAV OUT", "ACK"
 "NET BUSY REQ MVV", "RETRY", "NO RETRY"
 "NET BUSY MVV", "RETRY", "NO RETRY"



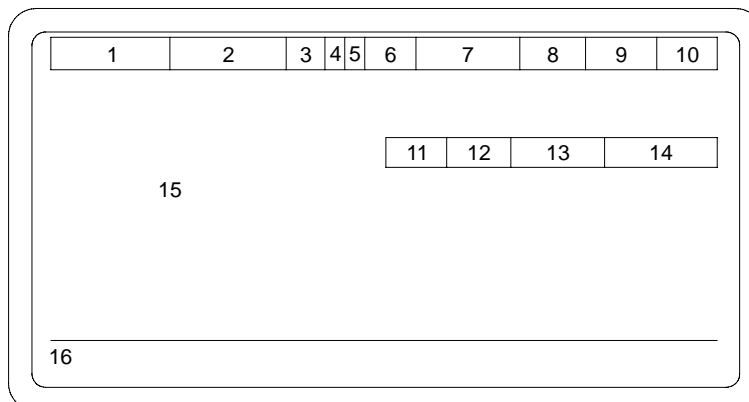
06pc088m

2-15A OPERATION OF PALADIN DIGITAL FIRE CONTROL SYSTEM (PDFCS) - CONTINUED

2-15A.2 PDFCS Operating Controls and Indicators - Continued

LOW PRIORITY MESSAGES - CONTINUED

"NET BUSY READY", "RETRY", "NO RETRY"
 "NET BUSY ROUND COMP", "RETRY", "NO RETRY"
 "NET BUSY SHOT", "RETRY", "NO RETRY"
 "NET BUSY SPLASH", "RETRY", "NO RETRY"
 "NET BUSY TARGET FILE", "RETRY", "NO RETRY"
 "NET BUSY UTE BAT", "RETRY", "NO RETRY"
 "NO ACK AMMO", "RETRY", "NO RETRY"
 "NO ACK REQ AMMO", "RETRY", "NO RETRY"
 "NO ACK CHECK FIRE", "RETRY", "NO RETRY"
 "NO ACK DESIGNATE", "RETRY", "NO RETRY"
 "NO ACK FREE TEXT", "RETRY", "NO RETRY"
 "NO ACK VEH STS", "RETRY", "NO RETRY"
 "NO ACK REQ VEH STS", "RETRY", "NO RETRY"
 "NO ACK VEH INIT", "RETRY", "NO RETRY"
 "NO ACK SITE DATA", "RETRY", "NO RETRY"
 "NO ACK REQ SITE DATA", "RETRY", "NO RETRY"
 "NO ACK REQ MOVE ORD", "RETRY", "NO RETRY"
 "NO ACK MTO TOF", "RETRY", "NO RETRY"
 "NO ACK MTO DENY", "RETRY", "NO RETRY"
 "NO ACK MVV", "RETRY", "NO RETRY"
 "NO ACK REQ MVV", "RETRY", "NO RETRY"
 "NO ACK READY", "RETRY", "NO RETRY"
 "NO ACK ROUND COMP", "RETRY", "NO RETRY"
 "NO ACK SHOT", "RETRY", "NO RETRY"
 "NO ACK SPLASH", "RETRY", "NO RETRY"
 "NO ACK TARGET FILE", "RETRY", "NO RETRY"
 "NO ACK UTE BAT", "RETRY", "NO RETRY"
 "PDI WARNING RECEIVED", "ACK"



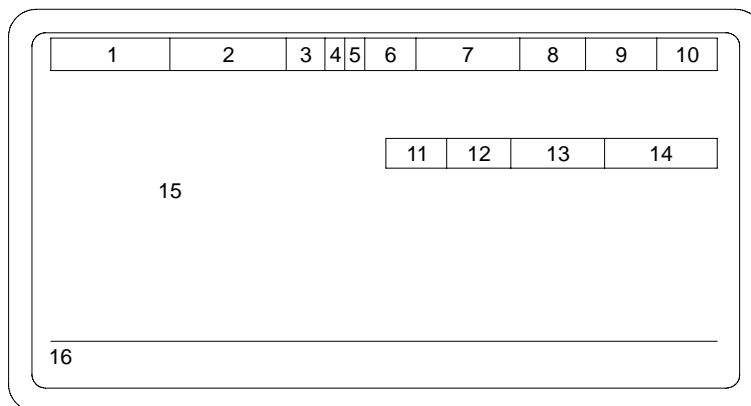
06pc088m

2-15A OPERATION OF PALADIN DIGITAL FIRE CONTROL SYSTEM (PDFCS) - CONTINUED

2-15A.2 PDFCS Operating Controls and Indicators - Continued

LOW PRIORITY MESSAGES-CONTINUED

"PROP TEMP UPDATE PENDED", "ACK"
"AMMO INVENTORY UPDATE PENDED", "ACK"
"SITE DEFINITION UPDATE PENDED", "ACK"
"DIRECT FIRE RJTD NAV NOT INIT", "ACK"
"DIRECT FIRE RJTD WPN OUT", "ACK"
"DIRECT FIRE RJTD OUTSIDE MAP", "ACK"
"DIRECT FIRE RJTD MAP PENDING", "ACK"
"DIRECT FIRE RJTD IN CHECKFIRE", "ACK"
"DIRECT FIRE RJTD FM ACTIVE", "ACK"
"MANUAL COMMANDS RJTD FM ACTIVE", "ACK"
"MANUAL COMMANDS RJTD CHECKFIRE", "ACK"
"SIMULATED NAV FAILURE", "CLEAR"
"SIMULATED ELECTRICAL FAILURE", "CLEAR"
"SIMULATED HYDRAULIC FAILURE", "CLEAR"
"SIMULATED COMMO FAILURE", "CLEAR"
"SIMULATED WPN FAILURE", "CLEAR"
"SIMULATED NAV FAILURE", "ACK"
"SIMULATED ELECTRICAL FAILURE", "ACK"
"SIMULATED HYDRAULIC FAILURE", "ACK"
"SIMULATED COMMO FAILURE", "ACK"
"SIMULATED WPN FAILURE", "ACK"
"SIMULATED FAILURES CLEARED", "ACK"
"MOVE RJTD DEST NOT IN MAP", "ACK"
"MOVE RJTD NO MAP", "ACK"
"MOVE RJTD MAP PENDING", "ACK"
"PRESS ACK WHEN TUBE STOWED", "ACK"
"VEHICLE MOTION SENSOR OUT", "ACK"



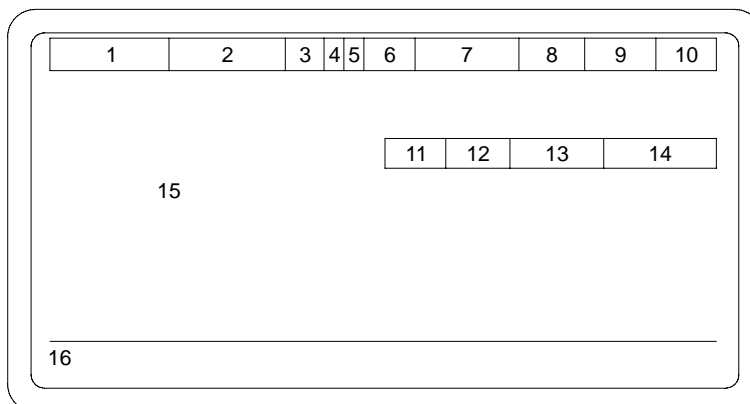
06pc088m

2-15A OPERATION OF PALADIN DIGITAL FIRE CONTROL SYSTEM (PDFCS) - CONTINUED

2-15A.2 PDFCS Operating Controls and Indicators - Continued

LOW PRIORITY MESSAGES-CONTINUED

"PDI OUT OR PDI BUS OUT", "ACK"
 "DIRECT FIRE RJTO TGT COMP ERR", "ACK"
 "NO BALLISTIC SOLUTION", "ACK"
 "PROP TEMP UPDATE REQUIRED", "ACK"
 "VEHICLE MOTION SENSOR GOOD", "ACK"
 "DRU OVERTEMP", "ACK"
 "DRU NO LONGER OVERTEMP", "ACK"
 "ZONE BOUNDARY CROSSED", "ACK"
 "OK TO MOVE OR SHOOT", "ACK"
 "FIRE CONTROL ALIGN REQUIRED", "ACK"
 "EMBEDDED TRAINING OUT", "ACK"
 "INVALID SOFTWARE CONFIGURATION", "ACK"
 "MVS OUT OR MVS BUS OUT", "ACK"
 "MVV DATABASE ALMOST FULL", "ACK"
 "MVV DATABASE FULL DATA LOST", "ACK"
 "GPS OUT - PLGR DISCONNECT", "ACK"
 "GPS CONNECTED", "ACK"
 "GPS OUT - PLGR FAILED", "ACK"
 "GPS OPERATIONAL", "ACK"
 "GPS ANTENNA FAULT", "ACK"
 "GPS ANTENNA OK", "ACK"
 "PLGR UNKEYED", "ACK"
 "INP/GPS DELTA TOO LARGE", "ACK"
 "INP/GPS N/E EXCESSIVE", "ACK"
 "INP/GPS N/E REJECTED", "ACK"
 "INP/GPS ALT EXCESSIVE", "ACK"
 "INP/GPS ALT REJECTED", "ACK"
 "POSITION UPDATE BEYOND ZONE", "ACK"
 "BORESIGHT UPDT RJTD VEH MOVING", "ACK"
 "RESTART REQUIRED", "ACK"
 "POSITION UPDATE REQUIRED", "ACK"
 "DRU CONNECT", "ACK"
 "INSUFFICIENT Y CODE SVS", "ACK"
 "MINIMUM QE VIOLATED", "ACK"
 "MINIMUM QE NO LONGER VIOLATED", "ACK"
 "CHK DATABASE BAD DATA DETECTED", "ACK"
 "DUPLICATE IP ADDR", "ACK"
 "DUPLICATE IP ADDR SUBFIELD 4", "ACK"
 "DUPLICATE URN", "ACK"
 "DUPLICATE ADDRESS", "ACK"
 "SHUTDOWN TO RE-ENABLE COMMO", "ACK"
 "REUSED AFCS IP - POWERDOWN REQ", "ACK"



06pc088m

2-15A OPERATION OF PALADIN DIGITAL FIRE CONTROL SYSTEM (PDFCS) - CONTINUED

2-15A.3 DC Power Messages.

Three Auxiliary Power messages can appear on any menu being displayed on the PDU. Operator actions for any message will be the same regardless of the menu on which it is displayed.

2-15A.3.1 On Auxiliary Power. If vehicle battery voltage drops to a point below that needed by the Power Conditioner Unit (PCU-2) to operate the PDFCS, the PCU-2 will automatically switch to auxiliary power (backup batteries) to maintain PDFCS operation. When the switch to auxiliary power occurs, an audible alert will be sounded over the intercom, and a visual alert will be displayed at the bottom of the menu.



Prolonged operation on auxiliary power may cause the PDFCS to shut down automatically.

At this time, the vehicle engine must be started to recharge the vehicle batteries.

The operator must press the soft key under ACK to silence the audible alarm and eliminate the message.

RNDS	SHELL	___	LOT	DEFL	QUAD		
___	___	___	___	ACTL	3200.0	300.0	
PROP			LOT CHG	CMD	3200.0	300.0	
___	___	___	___	TARGET ID	___		
FUZE-	/US	SETTING					
___	___	___					
ON AUX POWER START VEHICLE						ACK	

06pc157t

2-15A OPERATION OF PALADIN DIGITAL FIRE CONTROL SYSTEM (PDFCS) - CONTINUED

2-15A.3 DC Power Messages - Continued

2-15A.3.2 Auxiliary Power Not Available. If the auxiliary power batteries are not functional (e.g., low, damaged, or disconnected), a visual alert will be displayed at the bottom of the menu.

The operator must press the soft key under ACK to eliminate the message. At this time, the vehicle engine must be started and kept running to ensure PDFCS operation until auxiliary power is restored.

NOTE

This message can also appear during BIT.

RNDS SHELL ___ LOT	DEFL	QUAD	
___	ACTL 3200.0	300.0	
PROP LOT CHG	CMD 3200.0	300.0	
___	TARGET ID ___		
FUZE- ___ /US SETTING			

AUX BATTERY NOT CONNECTED			ACK

06pc158t

2-15A.3.3 Vehicle and Auxiliary Power OK. When the vehicle battery voltage rises sufficiently, the PCU-2 will automatically switch to vehicle power. When the switch occurs, a visual alert is displayed at the bottom of the menu as shown below.

The operator must press soft key under ACK to eliminate the message.

RNDS SHELL ___ LOT	DEFL	QUAD	
___	ACTL 3200.0	300.0	
PROP LOT CHG	CMD 3200.0	300.0	
___	TARGET ID ___		
FUZE- ___ /US SETTING			

VEHICLE AND AUX POWER OK			ACK

06pc159t

2-15B PDFCS INITIALIZATION.

2-15B.1 System Power-Up.

WARNING

When operating the PLGR on external power with BA-5800 lithium battery installed, the battery may explode. Ensure battery is removed before connecting power cable to prevent serious injury or death.

NOTE

- PMVS must be installed and connected prior to turning the vehicle MASTER power switch ON.
 - PLGR should be installed and powered prior to turning on the DU of the PDFCS keypad in order for the PDFCS to use the PLGR data.
 - The following steps must be completed prior to POWERING UP and INITIALIZATION of the PDFCS.
- a. Outside the howitzer:
 1. Left front drive sprocket must be within 1 meter of SCP.
 2. Gun tube in travel lock.
 3. PMVS connections verified.
 4. FM VOICE/DIGITAL Radio antennas are properly mounted, cables and ground connections verified.
 5. PLGR antenna cable connections verified.
 - b. Inside the howitzer:
 1. Turret lock in "LOCKED" position.
 2. 1553 BUS terminator connection verified.
 3. PLGR ground connection verified.
 4. PLGR installed.
 5. Set MASTER switch to ON.
 6. Ensure 10 PCU-2 switches are ON.
 7. Turn PLGR ON, FILL verified.
 8. Turn radios ON, and perform VOICE radio check.
 9. Idle engine at 1000 to 1200 RPMs.
 10. Make sure TRAINING switch on PDFCS keypad is OFF.

2-15B PDFCS INITIALIZATION.

2-15B.1 System Power-Up - Continued

With the PLGR in the PLGR mount and all external cables attached, press the ON/BRT key on the PLGR key pad. The PLGR should power up automatically and perform its self-test (BIT). Operate the PLGR in accordance with the PLGR TM 11-5825-291-13.

If the PLGR does not have a current key (i.e. the PLGR was previously “zeroized,” newly installed or the key has expired), then load a valid key in accordance with the PLGR TM 11-5825-291-13, Section 3.6.

NOTE

To load a key, the DRUH must be off, or the P4 DRUH-PLGR Signal Connector must be disconnected to cause a PLGR COM FAIL. Simple re-attachment of P4 DRUH-PLGR Signal Connector after PLGR keying will automatically cause DRUH-PLGR communications to resume if DRUH is on.

If the PLGR antenna has a clear view of the sky, turn PLGR on.

If the antenna’s view of the sky is blocked (e.g. the vehicle is in a building, under tree cover or parked next to a large structure), move vehicle until the PLGR antenna is clear.

If the vehicle can not be moved, keep PLGR turned off until the vehicle can be moved to a location with a clear view of the sky.

NOTE

- If the PLGR is off, the Navigation System will still accept initialization data from the PDFCS for inertial operation and the Navigation System will operate as before.
 - Guidelines for conditions and times for the PLGR to obtain position data acceptable by the PDFCS.
- c. If the antenna has a clear view of the sky and PLGR has a valid position, current GPS time, current GUV key, and has stored a current satellite almanac, PLGR will be acceptable for use in about 3 minutes following the first turn-on of the day. It will take about 90 seconds for subsequent turn-ons. These are the normal operating conditions.
- d. If the antenna has a clear view of the sky and PLGR has a current GUV key but PLGR doesn’t have a valid position, current GPS time, or current satellite almanac, it may take up to 20 minutes after turn-on for the PLGR to output data of acceptable accuracy.

2-15B PDFCS INITIALIZATION - CONTINUED

2-15B.1 System Power-Up - Continued

- e. If the PLGR has a valid position, current GPS time, current key, and current satellite almanac, but the antenna is masked from a clear view of the sky when PLGR is turned on, it may take up to 20 minutes to get acceptable data after the vehicle is moved to a location with a clear view of the sky. This results from the PLGR initiating a search for all possible satellites if it can't lock on to those expected, for its current position, time, and almanac, within a reasonable time interval.
- f. If the PLGR doesn't have a current key, its data won't be acceptable for use by the PDFCS. However, assuming a clear view of the sky, it can be turned on to initialize position, time, and satellite almanac in about 20 minutes. Then when a valid key is located, the PLGR will be ready to go within three minutes.

NOTE

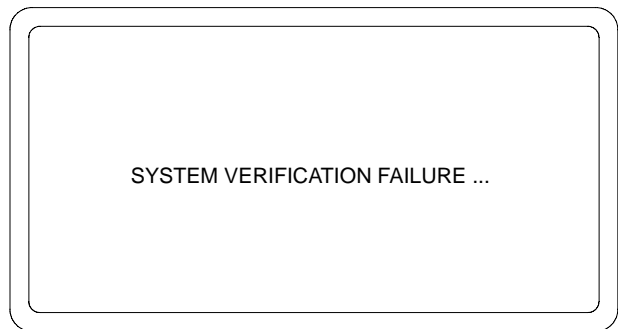
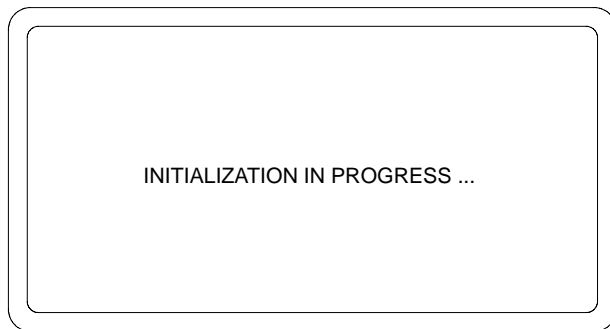
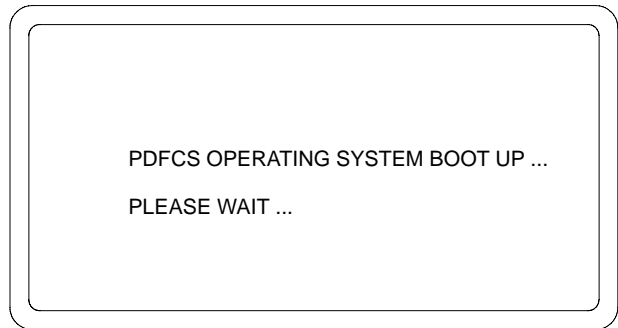
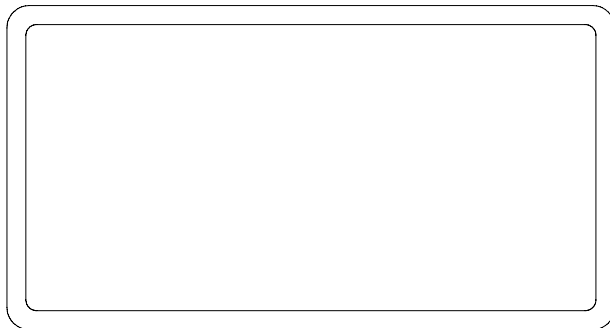
PMVS must be installed and connected prior to turning the vehicle MASTER power switch ON.

Make sure TRAINING switch on PDFCS keypad is OFF. Set circuit breaker on PDFCS CPU to ON. Press and hold POWER button to PDFCS PDU until LEDs illuminate. Set POWER switch on PDFCS keypad to ON. The normal PDFCS initialization screens will be displayed. In approximately 3 minutes the PDFCS window will open with a blank screen, followed by the POWER UP STATUS screen.

NOTE

- The time lapse between first three screens can range from 3 to 5 minutes.
- If screen stays blank for more than 7 minutes, power down system.

A SYSTEM VERIFICATION FAILURE screen may be displayed only if there is an incompatibility between hardware and software.



2-15B PDFCS INITIALIZATION - CONTINUED

2-15B.1 System Power-Up - Continued

After the PDFCS powers up, the PLGR screen should read:

```

REMOTE CONTROL
Only ZEROIZE key
activated
    
```

At this point the PLGR key pad will become inactive. The only PLGR operation allowed using the key is EMERGENCY ZEROIZE.

If this message is not displayed on the PLGR screen, and the Low Priority Message "GPS OUT - PLGR DISCONNECTED" is not displayed on the PDU, ensure that the DRUH-PLGR Signal Connector (P4) plug on the W17A Cable is connected and secure. Once this PLGR screen is displayed, proceed with system initialization.

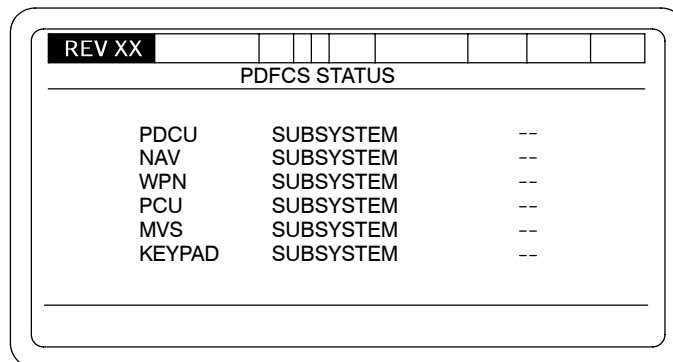
NOTE

- NAV SUBSYSTEM includes: VMS, DRUH, VMS Modems
- PCU-2 SUBSYSTEM includes: PCU-2 and both Back-up Batteries.
- The switches on the PCU-2 are circuit breakers. They should be left ON at all times, so they will not wear out from being turned off and on constantly.

This screen displays the subsystems that are checked by BIT. As the subsystems are checked, the dashed lines will change to a subsystem status (OK, DEGRADED, OUT, - -). The - - appears on the MVS status line when the PDFCS could not be connected to the MVS. This screen also identifies the system software version.

NOTE

PCU and PCU-2 are used interchangeably when viewing PDFCS software screens. PCU will appear in the software screens. PCU-2 will be used in the text portion of this technical manual when referring to the physical equipment.

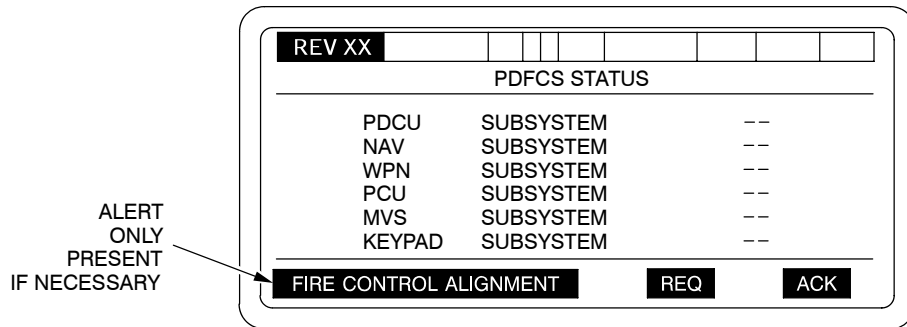


06pc071ma

2-15B PDFCS INITIALIZATION - CONTINUED

2-15B.2 Initializing.

When a Fire Control Alignment is required by the PDFCS, the alert "FIRE CONTROL ALIGN" "REQ", "ACK" will appear on the soft key label line of the PDU. This alignment must be accomplished before INITIALIZATION of the PDFCS can be completed. If a full Fire Control Alignment including SYSTEM RESTART or Power Cycle is not completed when it is requested, the PDU FAULT lamps and ACU BIT lamp will illuminate and remain lit.



06pc072mb

When the message is acknowledged, the PDFCS will proceed to the "SELECT OPERATIONAL MODE" menu. To view detailed software configuration information for each LRU, MAINTENANCE should be selected, IAW procedure in para 3-5.1.

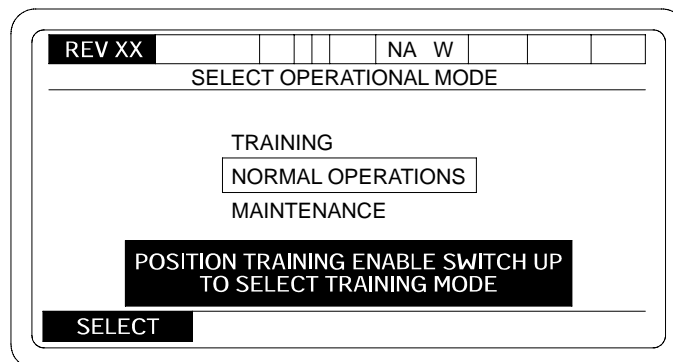
NOTE

After an orderly shutdown, go to para 2-12.1.3. However, if a catastrophic failure happens within the system, follow the procedures below.

When initializing the PDFCS, communications parameters (NET ACCESS and NET ADDRESS) are entered to establish digital communications. Data to align the navigation system to a known location must also be entered at initialization. Other data to establish date/time, ammunition supply and propellant temperature, TOT response time, load elevation, and sector of fire must be entered before the initialization process is complete. All this data is input during NORMAL OPERATIONS Mode which is selected from the SELECT OPERATIONAL MODE menu.

NOTE

It is possible that an ALERT(S) may appear on the bottom line of the SELECT OPERATIONAL MODE screen. To continue, press the "ACK" soft key.



06pc094m

2-15B PDFCS INITIALIZATION - CONTINUED

2-15B.2 Initializing - Continued

- a. Mode Selection. Set TRAINING ON/OFF switch to OFF when selection other than TRAINING is required. Box in NORMAL OPERATIONS mode. Press SELECT key. NET ACCESS menu will be displayed.

NET ACCESS menu can also be entered from the SETUP AND INFORMATION menu.

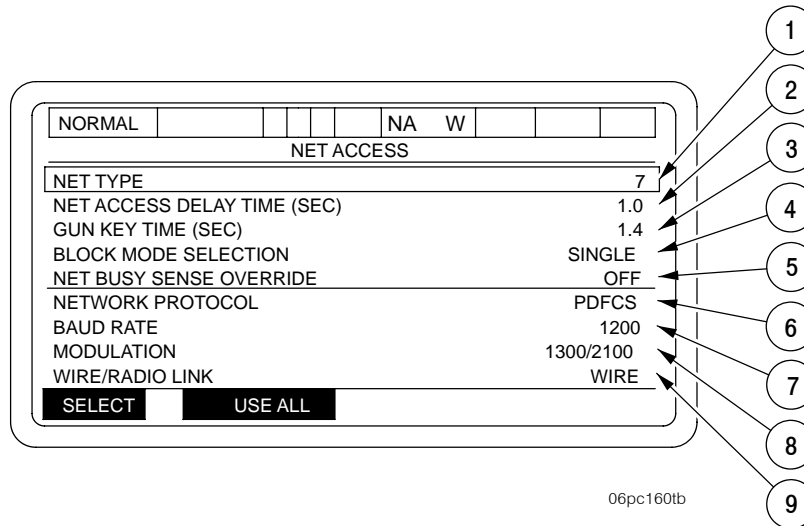
- b. Net Access. Using the NET ACCESS menu, check that data in the displayed menu shows same data that the unit SOP specifies.

NOTE

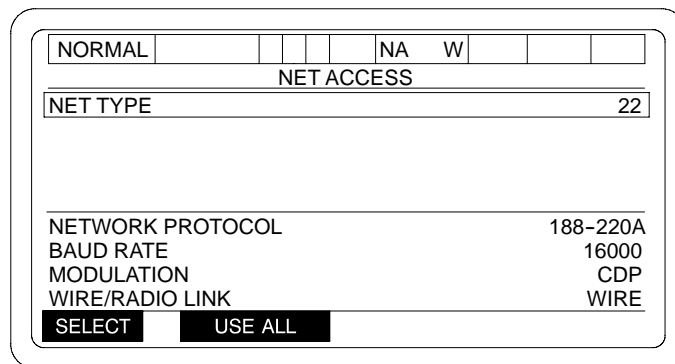
To ensure efficient set up of the digital net, it is very important that NET ACCESS and NET ADDRESS data be assigned and controlled by POC/BCS. Verify data per local SOP.

When NETWORK PROTOCOL is PDFCS the menu below will be displayed.

- (1) NET TYPE - To select the correct NET TYPE for NETWORK PROTOCOL see Table 2-2 for PDFCS NETWORK PROTOCOL entries 1 to 21, and Table 2-3 for 188-220A PROTOCOL entries 22 to 52.



When NETWORK PROTOCOL is 188-220A NET ADDRESS menu below will be displayed.



2-15B PDFCS INITIALIZATION - CONTINUED**2-15B.2 Initializing - Continued**

Entries for the NET ACCESS menu are listed below.

- ① ENTER NET TYPE. NUMERIC FIELD, RANGE 1 . . 52 (Defined in 2-15B.2(b)).
- ② NUMERIC FIELD, RANGE .5 TO 49.5 SECONDS (See 2-15B.2 (a)).
- ③ WHEN SELECTED GUN KEY TIME MENU WILL BE DISPLAYED
- ④ (SINGLE, DOUBLE) ENTRY
- ⑤ (OFF, ON) ENTRY
- ⑥ PDFCS OR 188-220A BASED ON NET TYPE. NOT SELECTABLE
- ⑦ (300, 600, 1200, 2400, 4800, 8000, 16000, 32000) BASED ON NET TYPE. NOT SELECTABLE
- ⑧ (NRZ, CDP, 1200/2400, 1300/2100, 1575/2425) BASED ON NET TYPE. NOT SELECTABLE
- ⑨ (WIRE RADIO, RADIO/KY-57) BASED ON NET TYPE. NOT SELECTABLE
WHEN NET TYPE OR NET ACCESS DELAY TIME IS SELECTED (See 2-15B.2 (a) and (b)).

USE ALL - The NET ADDRESS (PDFCS) menu will be displayed if NETWORK PROTOCOL is PDFCS
- The NET ADDRESS (188.220A) menu will be displayed if NETWORK PROTOCOL is 188-220A

- (a) When NET ACCESS DELAY TIME (SEC) SELECTED WIRE RADIO LINK LINE, line is overwritten with, "TYPE TIME: .5 TO 49.5 SEC" - PRESS ENT -
- (b) When NET TYPE SELECTED WIRE RADIO LINK LINE is overwritten with, "TYPE NET TYPE: Entries from Tables 2-2 and 2-3" - PRESS ENT -

2-15B PDFCS INITIALIZATION - CONTINUED

2-15B.2 Initializing - Continued

TABLE 2-2 NET TYPE Table (PDFCS PROTOCOL)

	PROTOCOL	Device	Modulation	Baud Rate
1	PDFCS	Wire	CDP	8,000
2	PDFCS	Wire	CDP	16,000
3	PDFCS	Wire	CDP	32,000
4	PDFCS	Wire	1200/2400	600
5	PDFCS	Wire	1200/2400	1,200
6	PDFCS	Wire	1300/2100	600
7	PDFCS	Wire	1300/2100	1,200
8	PDFCS	Radio	NRZ	600
9	PDFCS	Radio	NRZ	1,200
10	PDFCS	Radio	NRZ	2,400
11	PDFCS	Radio	NRZ	4,800
12	PDFCS	Radio	NRZ	16,000
13	PDFCS	Radio	1200/2400	600
14	PDFCS	Radio	1200/2400	1,200
15	PDFCS	Radio	1300/2100	600
16	PDFCS	Radio	1300/2100	1,200
17	PDFCS	Radio/KY-57	NRZ	16,000
18	PDFCS	Radio/KY-57	1200/2400	600
19	PDFCS	Radio/KY-57	1200/2400	1,200
20	PDFCS	Radio/KY-57	1300/2100	600
21	PDFCS	Radio/KY-57	1300/2100	1,200

PDFCS INITIALIZATION - CONTINUED

2-15B.2 Initializing - Continued

TABLE 2-3 NET TYPE Table (188-220A)

	PROTOCOL	Device	Modulation	Baud Rate
22	188-220A	Wire	CDP	16,000
23	188-220A	Wire	CDP	32,000
24	188-220A	Wire	1300/2100	300
25	188-220A	Wire	1300/2100	600
26	188-220A	Wire	1300/2100	1,200
27	188-220A	Wire	1575/2425	300
28	188-220A	Wire	1575/2425	600
29	188-220A	Wire	1575/2425	1,200
30	188-220A	Radio	NRZ	600
31	188-220A	Radio	NRZ	1,200
32	188-220A	Radio	NRZ	2,400
33	188-220A	Radio	NRZ	4,800
34	188-220A	Radio	NRZ	16,000
35	188-220A	Radio	1300/2100	300
36	188-220A	Radio	1300/2100	600
37	188-220A	Radio	1300/2100	1,200
38	188-220A	Radio	1575/2425	300
39	188-220A	Radio	1575/2425	600
40	188-220A	Radio	1575/2425	1,200
41	188-220A	Radio/KY-57	NRZ	300
42	188-220A	Radio/KY-57	NRZ	600
43	188-220A	Radio/KY-57	NRZ	1,200
44	188-220A	Radio/KY-57	NRZ	2,400
45	188-220A	Radio/KY-57	NRZ	4,800
46	188-220A	Radio/KY-57	NRZ	16,000
47	188-220A	Radio/KY-57	1300/2100	300
48	188-220A	Radio/KY-57	1300/2100	600
49	188-220A	Radio/KY-57	1300/2100	1,200
50	188-220A	Radio/KY-57	1575/2425	300
51	188-220A	Radio/KY-57	1575/2425	600
52	188-220A	Radio/KY-57	1575/2425	1,200

2-15B PDFCS INITIALIZATION - CONTINUED

2-15B.2 Initializing - Continued

- (2) NET ACCESS DELAY TIME - Used to select proper transmission delay time to maintain network access precedence order assigned to various subscribers. To enter a new NET ACCESS DELAY TIME, box in new time. Press SELECT key. Menu will request time entry. Enter new time per SOP. Allowable entries are 0.5 to 49.5 seconds in 0.5 second intervals.

The screenshot shows a menu titled "NET ACCESS" with a header "NORMAL" and "NA W". The menu items are:

- NET TYPE: 7
- NET ACCESS DELAY TIME (SEC): 1.0 (highlighted)
- GUN KEY TIME (SEC): 1.4
- BLOCK MODE SELECTION: SINGLE
- NET BUSY SENSE OVERRIDE: OFF
- NETWORK PROTOCOL: PDFCS
- BAUD RATE: 1200
- MODULATION: 1300/2100
- WIRE/RADIO LINK: WIRE

At the bottom, there are three buttons: SELECT, USE ALL, and CANCEL.

06pc623m

USE ALL = Will display TACFIRE/FSK menu

CANCEL = Return to SETUP AND INFORMATION menu

- (3) GUN KEY TIME - Used for selecting assigned transmit delay time. This stabilizes the communications link and allows the radio to reach full transmit power before the digital data message is sent. When GUN KEY TIME is selected from the NET ACCESS menu, a NET ACCESS-GUN KEY TIME menu will be displayed. Box in proper time. Press SELECT key. This will enter data into PDFCS and return to NET ACCESS menu (new GUN KEY TIME will be shown).

The screenshot shows a menu titled "NET ACCESS-GUN KEY TIME" with a header "NORMAL" and "NA W". The menu items are:

- 0.2 SECONDS
- 0.7 SECONDS
- 1.4 SECONDS (highlighted)
- 2.1 SECONDS
- 2.8 SECONDS
- 4.0 SECONDS

At the bottom, there are two buttons: SELECT and CANCEL.

06pc096m

2-15B PDFCS INITIALIZATION - CONTINUED

2-15B.2 Initializing - Continued

- (4) **BLOCK MODE SELECTION** - Used for selection of single-block or double-block mode transmission of each data block. The double-block transmission provides for each data block to be transmitted twice. When **BLOCK MODE SELECTION** is selected, the **NET ACCESS** menu will appear with present block mode boxed in. After proper selection is made, the entire **NET ACCESS** display will be shown. New data will be shown in proper field. (Other data will remain unchanged.) Double-block mode will be used when requested by Platoon Operations Center (POC).

The screenshot shows the 'NET ACCESS' menu on a terminal. At the top, there are status indicators: 'NORMAL', 'NA', and 'W'. The menu items and their values are: NET TYPE (7), NET ACCESS DELAY TIME (SEC) (1.0), GUN KEY TIME (SEC) (1.4), BLOCK MODE SELECTION (SINGLE), NET BUSY SENSE OVERRIDE (OFF), NETWORK PROTOCOL (PDFCS), BAUD RATE (1200), MODULATION (1300/2100), and WIRE/RADIO LINK (WIRE). At the bottom, there are two buttons: 'SELECT' and 'USE ALL'. A circled '1' with an arrow points to the 'SINGLE' text in the BLOCK MODE SELECTION field.

1 Enter (SINGLE, DOUBLE)

06pc624m

- (5) **NET BUSY SENSE OVERRIDE** - Meant to be used to force a message through when communication net is degraded or jammed (message traffic or noise is sensed by communications processor). Selecting Net Busy Sense Override (ON) when other subscribers are transmitting can cause message errors in radio traffic, and denies other subscribers net access. Consult unit SOP for proper use of **NET BUSY SENSE OVERRIDE**. Box in **NET BUSY SENSE OVERRIDE** and press **SELECT** key. A **NET ACCESS** menu will be displayed showing present status boxed in. After proper selection, YES or NO, is made, new data will be in proper field on EL Panel. (Other data will remain unchanged.)

The screenshot shows the 'NET ACCESS' menu on a terminal. At the top, there are status indicators: 'NORMAL', 'NA', and 'W'. The menu items and their values are: NET TYPE (7), NET ACCESS DELAY TIME (SEC) (1.0), GUN KEY TIME (SEC) (1.4), BLOCK MODE SELECTION (DOUBLE), NET BUSY SENSE OVERRIDE (OFF), NETWORK PROTOCOL (PDFCS), BAUD RATE (1200), MODULATION (1300/2100), and WIRE/RADIO LINK (WIRE). At the bottom, there are three buttons: 'CHANGE TO DOUBLE', 'YES', and 'NO'. A circled '1' with an arrow points to the 'DOUBLE' text in the BLOCK MODE SELECTION field.

1 Enter (SINGLE, DOUBLE)

06PC625m

NOTE

ENTERING NET ACCESS TO SYSTEM - To enter this data in the PDFCS, check that all data has been corrected or changed as required per local SOP. Press **USE ALL** key. Data is now in PDFCS system and **NET ACCESS** has been initialized. **NET ADDRESS** menu will be displayed.

2-15B PDFCS INITIALIZATION - CONTINUED

2-15B.2 Initializing - Continued

- c. Net Address. NET ADDRESS is used to name radio subscribers and must be initialized. The NET ADDRESS menu will appear on the PDU after data for NET ACCESS is stored. If all data displayed is correct according to the unit SOP, press USE ALL key to initialize the NET ADDRESS. If data must be updated or changed, proceed as follows.

NORMAL					NA	W		
NET ADDRESS								
GUN PLTN/SECT							1/1	
BROADCAST			ADRS	A				
PHYSICAL			ADRS	B				
PRIMARY BCS			ADRS	C				
BACKUP BCS			ADRS	D				
PALADIN URN			1234567					
PRIMARY BCS			URN	11234567				
BACKUP BCS			URN	16777215				
CONTROLLING BCS			PRIMARY					
SELECT			USE ALL					

06pc626m

- (1) GUN PLTN/SECT - Selection of GUN PLTN/SECT from the NET ADDRESS menu will bring up a NET ADDRESS menu with Gun Platoon/Section choices displayed. Present GUN PLTN/SECT will be highlighted. Change selection by boxing in individual GUN PLTN/SECT. Press SELECT key to enter new GUN PLTN/SECT into the PDFCS.

NORMAL					NA	W		
NET ADDRESS								
GUN PLTN/SECT							1/1	
BROADCAST			ADRS	A				
PHYSICAL			ADRS	B				
PRIMARY BCS			ADRS	C				
BACKUP BCS			ADRS	D				
PALADIN URN			1234567					
PRIMARY BCS			URN	11234567				
BACKUP BCS			URN	16777215				
CONTROLLING BCS			PRIMARY					
SELECT			USE ALL					

NORMAL					NA	W		
NET ADDRESS								
GUN PLTN/SECT							1/1	
BROADCAST			ADRS	A				
PHYSICAL			ADRS	B				
PRIMARY BCS			ADRS	C				
BACKUP BCS			ADRS	D				
PALADIN URN			1234567					
PRIMARY BCS			URN	11234567				
BACKUP BCS			URN	16777215				
CONTROLLING BCS			PRIMARY					
SELECT			CANCEL					

06pc627m

2-15B PDFCS INITIALIZATION - CONTINUED

2-15B.2 Initializing - Continued

- (2) BROADCAST ADDRESS - Selecting BROADCAST ADRS on NET ADDRESS menu will display the NET ADDRESS menu. The present status of the Broadcast Address will be highlighted and a table of addresses will appear on the left side of menu. Selecting letters from table on left side of display will delete them. Selected letters will now appear on right side of display. This will prevent selecting the same letter twice, which would cause communication errors. A letter is selected by boxing in selection and pressing SELECT key.
- (3) PHYSICAL ADRS- Address used for Special Missions i.e. (Sensor to Shooter) - These fields are initialized in the same manner as the BROADCAST ADRS.
- (4) PRIMARY BCS ADRS, and BACKUP BCS ADRS - These fields are initialized in the same manner as the BROADCAST ADRS.

NOTE

The backup BCS Address will only be displayed if the primary BCS provided an address in the subscriber file message.

NORMAL										NA W									
NET ADDRESS																			
										GUN PLTN/SECT 1/1									
E F G										BROADCAST ADRS A									
H I J K L M N										PHYSICAL ADRS B									
O P Q R S T U										PRIMARY BCS ADRS C									
V W X Y Z 0 1										BACKUP BCS ADRS D									
2 3 4 5 6 7 8										PALADIN URN 1234567									
9 # & * + - .										PRIMARY BCS URN 11234567									
?										BACKUP BCS URN 16777215									
										CONTROLLING BCS PRIMARY									
SELECT										CANCEL									

06pc628m

2-15B PDFCS INITIALIZATION - CONTINUED

2-15B.2 Initializing - Continued

- (5) PALADIN URN, PRIMARY BCS URN and BACKUP BCS URN - These fields are initialized by entering the same data from the communication parameter card. If any URN value is duplicated a "WARNING" will be displayed.

NET ADDRESS			
	GUN PLTN/SECT		1/1
	BROADCAST	ADRS	A
	PHYSICAL	ADRS	B
	PRIMARY BCS	ADRS	C
	BACKUP BCS	ADRS	D
	PALADIN URN		1234567
	PRIMARY BCS	URN	11234567
	BACKUP BCS	URN	16777215
	CONTROLLING BCS		PRIMARY
TYPE URN VALUE 0 TO 16777215 PRESS ENT KEY			CANCEL

06pc629m

- (6) CONTROLLING BCS - When this is boxed in and the SELECT key is pressed, the menu will ask if the controlling BCS is to be either backup or primary. By pressing the YES key, the controlling BCS will be assigned the opposite of shown state.

NORMAL				NA	W		
NET ADDRESS							
	GUN PLTN/SECT						1/1
	BROADCAST	ADRS					A
	PHYSICAL	ADRS					B
	PRIMARY BCS	ADRS					C
	BACKUP BCS	ADRS					D
	PALADIN URN						1234567
	PRIMARY BCS	URN					11234567
	BACKUP BCS	URN					16777215
	CONTROLLING BCS						PRIMARY
CHANGE TO BACKUP ?				YES	NO		

06pc630m

NOTE

Controlling BCS will not be selectable if no backup BCS address is sent by the POC.

2-15B PDFCS INITIALIZATION - CONTINUED

2-15B.2 Initializing - Continued

- (7) Net Address. NET ADDRESS for 188-220A NETWORK PROTOCOL is used to name subscribers. The NET ADDRESS menu will appear on the PDU after data for NET ACCESS is stored. If all data displayed is correct according to the unit SOP, press USE ALL key to initialize the NET ADDRESS. If data must be updated or changed, proceed as follows:

NORMAL					NA	W		
NET ADDRESS								
GUN PLTN/SECT								1/1
PALADIN URN								52
PRIMARY BCS URN								1234567
BACKUP BCS URN								143
PALADIN IP								129.139. 72. 42
PRIMARY BCS IP								129.139. 72. 22
BACKUP BCS IP								129.139. 72. 52
CONTROLLING BCS								PRIMARY
<input type="button" value="SELECT"/> <input type="button" value="USE ALL"/>								

06pc631m

- (8) GUN PLTN/SECT - Selection of GUN PLTN/SEC from the NET ADDRESS menu will bring up a NET ADDRESS menu with Gun Platoon/Section choices displayed. Change selection by boxing in individual GUN PLTN/SECT. Press SELECT key to enter new GUN PLTN/SECT into the PDFCS.

NORMAL					NA	W		
NET ADDRESS - GUN PLTN/SECT								
								1/1
								2/1
								1/2
								2/2
								1/3
								2/3
								1/4
								2/4
<input type="button" value="SELECT"/> <input type="button" value="CANCEL"/>								

06pc171t

2-15B PDFCS INITIALIZATION - CONTINUED

2-15B.2 Initializing - Continued

NORMAL					NA	W			
NET ADDRESS									
GUN PLTN/SECT									1/1
PALADIN URN									52
PRIMARY BCS URN									1234567
BACKUP BCS URN									1234567
PALADIN IP	129	.	139	.	72	.	42		
PRIMARY BCS IP	129	.	139	.	72	.	42		
BACKUP BCS IP	129	.	139	.	72	.	52		
CONTROLLING BCS									PRIMARY

①

IP ADDR 1
IP ADDR 2
IP ADDR 3
IP ADDR 4

①	DUPLICATE IP ADDRESS	ACK
---	----------------------	-----

Appears if any IP address is duplicated.

NORMAL					NA	W			
NET ADDRESS									
GUN PLTN/SECT									1/1
PALADIN URN									52
PRIMARY BCS URN									1234567
BACKUP BCS URN									1234567
PALADIN IP	129	.	139	.	72	.	42		
PRIMARY BCS IP	129	.	139	.	72	.	22		
BACKUP BCS IP	129	.	139	.	72	.	52		
CONTROLLING BCS									PRIMARY

①

①	DUPLICATE URN	ACK
---	---------------	-----

Appears if any URN address is duplicated.

06pc632M

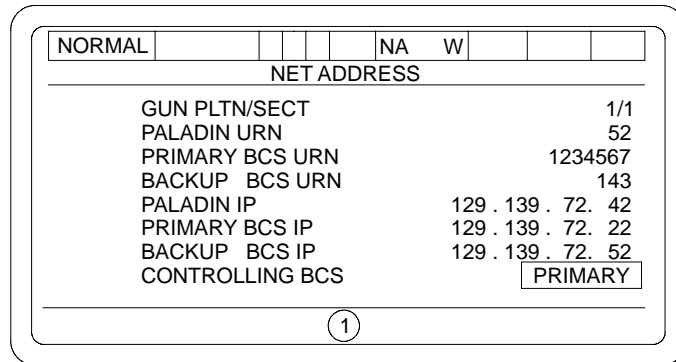
PALADIN URN, PRIMARY BCS URN and BACKUP BCS URN - These fields are initialized in the same manner. If any URN value is duplicated a "WARNING" will be displayed.

- (1) PALADIN IP ADDRESS - Can be up to 11 digits in four Groups. Once all data has been entered press the FINISHED key.
- (2) PRIMARY BCS IP and BACKUP BCS IP ADDRESS will be changed to match the first and second Group entered in the PALADIN IP ADDRESS.
- (3) Third and fourth digits can be entered in the same manner as entered in the PALADIN IP ADDRESS.

2-15B PDFCS INITIALIZATION - CONTINUED

2-15B.2 Initializing - Continued

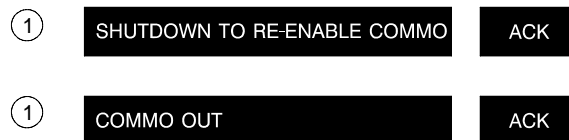
- (9) CONTROLLING BCS - When this is boxed in and the SELECT key is pressed, the menu will ask if the controlling BCS is to be either backup or primary. By pressing the YES key, the controlling BCS will be assigned the opposite of shown state.



06pc633m

- ① Appears if PALADIN IP Address has been changed 27 times WITHOUT REBOOTING.

Commo will FAIL and raise the following TWO alerts.



06pc175t

Each alert must be acknowledged.

To RE-ENABLE COMMO, PDFCS PDCU must be POWERED DOWN and then POWERED UP.

NOTE

ENTERING NET ADDRESS TO SYSTEM - To enter this data in the PDFCS, check that all data has been corrected or changed as required per local SOP. Press USE ALL key. Data is now in PDFCS system and NET ADDRESS has been initialized. The SETUP AND INFORMATION menu will be displayed.

2-15B PDFCS INITIALIZATION - CONTINUED

2-15B.2 Initializing - Continued

- d. Other Initialization Steps. When NET ACCESS and NET ADDRESS have both been initialized, a SETUP AND INFORMATION menu will be displayed. There are two pages to this menu. By pressing NEXT PAGE key, second page will be displayed.

NOTE

- Items marked with an * must be entered to complete initialization process. Without these data entries, the system will not be completely initialized and the PDFCS will not be able to receive a mission.
- The NAV UPDATE selection will be blank when a command has been sent to the navigation subsystem and has not yet been completed.
- When in a degraded mode, some items may not appear.

NORMAL					NA W		
SETUP AND INFORMATION							
* SET DATE/TIME	* TOT RESPONSE						
* BCS DATA XFER	* LOAD ELEVATION						
* ENTER MAP/DATUM	* SECTOR OF FIRE						
* NAV UPDATE	RECEIVED MSG						
* AMMO INVENTORY	WARNING MSG						
* PROP TEMP	MAX TUBE EL						
* MVV ROUNDS	SITE DATA						
	SEND CHECKFIRE						
SELECT		NEXT PAGE					

NORMAL					NA W		
SETUP AND INFORMATION							
TUBE TEMPERATURE				STORED TARGETS			
NET ACCESS				PDFCS STATUS			
NET ADDRESS				DISPLAY FORMAT			
MUZZLE VELOCITY				DISPLAY INTENSITY			
SYSTEM RESTART				MANUAL MOVE ORD			
				GPS CONTROL			
				LAST FIRING DATA			
SELECT		*NEXT PAGE					

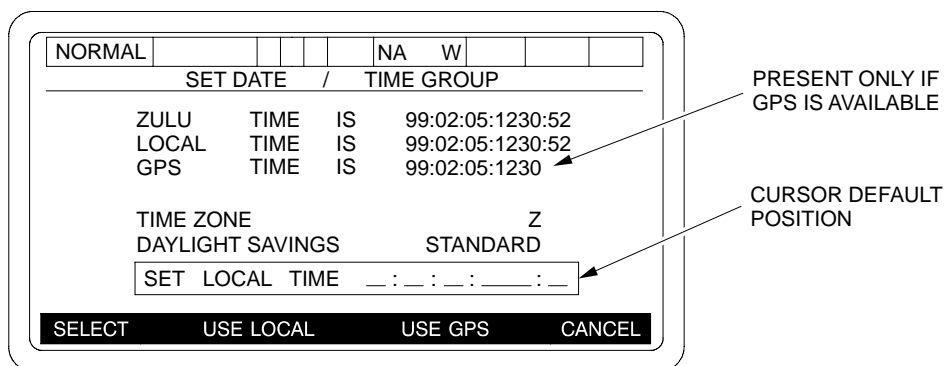
06pc634m

2-15B PDFCS INITIALIZATION - CONTINUED

2-15B.2 Initializing - Continued

Steps of other initialization data entry are done as follows:

- (1) SET DATE/TIME Group - This data is required for proper communications and is used for TOT data and other time related tasks and missions. From SETUP AND INFORMATION menu, box in SET DATE/TIME. Press SELECT key. This will cause a SET DATE/TIME Group menu to be displayed. If GPS data is available select "USE GPS". Note, GPS Time is ZULU (Greenwich Mean Time) when "USE GPS" selected, all times will be aligned to ZULU (Local ZULU and GPS). If GPS data is not available or if POC has instructed you not to use GPS proceed as follows:
 - (a) Enter two digits each for Year, Month, Date, Hour and Minute into boxed-in area.
 - (b) If a mistake is made prior to typing in all 10 digits, press CLR key and try again. If all 10 digits have been typed in, then menu will automatically show a SET DATE/TIME GROUP display with prompt.
 - (c) If incorrect data has been typed in after all 10 digits have been entered, press CANCEL key. This will return display to SET DATE/TIME menu. Then proceed with reentering correct data for Date/Time Group.
 - (d) To ensure proper time synchronization between the PDFCS and POC/BCS, a countdown to MARK should be controlled by the POC. If data is correct when MARK is announced by POC, press MARK key to start the clock. This will return the display to the SETUP AND INFORMATION menu.
 - (e) Date/Time setting on system - Defaults to system clock if no other input is entered in. BCS and the PDFCS messages will be rejected if more than 60 minutes difference between BCS time and PDFCS time has elapsed. Unit SOP needs to be in real Date/Time.



06pc177t

NOTE

Upon entering the Current DTG, Current Zulu, and Current GPS time, if available, shall be displayed to the operator. Operator must enter Time Zone, Daylight Savings and NEW DTG. The first time the PDFCS-XXI program is executed the Zulu and Local time will be calculated from the hardware clock.

2-15B PDFCS INITIALIZATION - CONTINUED

2-15B.2 Initializing - Continued

SELECT TIME ZONE - ENTER SELECT TIME ZONE IN ACCORDANCE WITH UNIT SOP.

NORMAL [] [] [] [] NA W [] [] [] []

SELECT TIME ZONE

A	B	C	D	E	F	G
H	I	K	L	M	N	O
P	Q	R	S	T	U	V
W	X	Y	Z			

SELECT CANCEL

06pc178t

SELECT DAYLIGHT SAVINGS - ENTER SELECT DAYLIGHT SAVINGS TIME IN ACCORDANCE WITH UNIT SOP.

NORMAL [] [] [] [] NA W [] [] [] []

SELECT DAYLIGHT SAVINGS

STANDARD

1/2 HR AHEAD
1 HR AHEAD
2 HRS AHEAD

SELECT CANCEL

06pc179t

2-15B PDFCS INITIALIZATION - CONTINUED

2-15B.2 Initializing - Continued

```

NORMAL |   |   |   |   |   |   |   |   |   |   |   |   |   |   |   |   |
-----|-----|-----|-----|-----|-----|-----|-----|-----|-----|-----|-----|-----|-----|-----|-----|-----|
                        SET LOCAL TIME
-----|-----|-----|-----|-----|-----|-----|-----|-----|-----|-----|-----|-----|-----|-----|-----|-----|
ZULU   TIME   IS   99:02:05:1230
LOCAL  TIME   IS   99:02:05:1230
GPS    TIME   IS   99:02:05:1230

TIME ZONE                                     Z
DAYLIGHT SAVINGS                             STANDARD
SET LOCAL TIME  __:__:__:__

(1)
-----|-----|-----|-----|-----|-----|-----|-----|-----|-----|-----|-----|-----|-----|-----|-----|-----|
(2)                                     (3)
    
```

06pc180t

Notes:

1

TYPE IN NEW DTG - YY:MM:HHMM = Shall appear below the SET LOCAL TIME row upon entry to display above menu. Operator must enter date in format displayed (YY:MM:DD:HHMM). Operator may press CLEAR any time to reset entry.

PRESS MARK TO SET LOCAL TIME = Shall appear below the SET LOCAL TIME row upon entry of the last digit of the minute.

2

MARK = The MARK key shall be displayed upon entry of the last digit of the minute. When the MARK key is pressed the Local Time shall be processed and returned to the SETUP AND INFORMATION menu.

INVALID DTG VALUE **ACK** = If an invalid DGT is entered, this error shall be displayed to the operator. Press "ACK" and re-enter the date and time.

3

CANCEL = When PRESS MARK TO SET LOCAL TIME is displayed and the CANCEL key is pressed the SET LOCAL TIME entries shall be cleared and the operator shall be able to enter a new LOCAL TIME.

= When the CANCEL key is pressed under all other conditions to display the SETUP AND INFORMATION menu will be displayed.

Date/Time setting on System - Defaults to system clock if no other Input is recorded in BCS and PDFCS. Messages will reject if more than 60 minutes has elapsed. Unit SOP needs to be in real Date/Time.

2-15B PDFCS INITIALIZATION - CONTINUED

2-15B.2 Initializing - Continued

NOTE

The BCS data transfer must be done each time you initialize the PDFCS, if the FDC/BCS is operational.

- (2) BCS DATA XFER - To get initialization data from the POC/BCS, box in BCS DATA XFER and then press SELECT key. This will cause a BCS DATA XFER menu to be displayed with INITIALIZATION already boxed and Operator Alert. Pressing YES key will send a request to POC/BCS for needed data. Data includes: Subscriber File Message, Map Modification Input Message, Computer Meteorological Message, and Registration Data Input Message. This ensures that operator can properly communicate with other subscribers and can compute fire mission accurately. If NO ACK REQ INIT is displayed, contact POC to ensure that proper initialization has taken place. Repeat procedure if required. When initialization is complete, press CANCEL key.

If BCS DATA XFER does not have an *, then pressing the SELECT key will cause a BCS DATA XFER menu to be displayed without INITIALIZATION boxed. Box in INITIALIZATION and press SELECT key to provide the Operator Alert. Pressing YES sends the request to POC/BCS as described above.

NORMAL					NA	W				
SETUP AND INFORMATION										
* SET DATE/TIME	* BCS DATA XFER	* ENTER MAP/DATUM	* NAV UPDATE	* AMMO INVENTORY	* PROP TEMP	* MVV ROUNDS	* TOT RESPONSE	* LOAD ELEVATION	* SECTOR OF FIRE	RECEIVED MSG
							WARNING MSG	MAX TUBE EL	SITE DATA	SEND CHECKFIRE
SELECT		NEXT PAGE								

NORMAL									
BCS DATA TRANSFER									
SEND					GET				
PIECE STATUS	AMMO ON HAND	AMMO RECEIVED	AMMO EXPENDED	SITE DATA	MUZZLE VELOCITY	INITIALIZATION	MOVE ORDERS	MUZZLE VELOCITY	PIECE STATUS
							SITE DATA	AMMO STATUS	
ARE YOU SURE?			YES			NO			

06pc415ma

2-15B PDFCS INITIALIZATION - CONTINUED

2-15B.2 Initializing - Continued

- (3) ENTER MAP and DATUM -The BCS DATA XFER, INITIALIZATION data includes a MAP MOD and SPHEROID, and map DATUM.

NOTE 1 → SPHEROID

NOTE 2 → DATUM

NOTE 3 → GPS OFFSET X Y Z

NOTE 4 → SPHEROID MAJ MAX MIN

NOTE 5 → SELECT USE ALL CANCEL

MAP/DATUM ENTRY

NORMAL NA W

HEMISPHERE NORTH

GRID ZONE

SW EASTING NE EASTING

SW NORTHING NE NORTHING

①

06pc181t

Check to see if all the data is correct. If it is correct, press the USE ALL key, and proceed with the initialization. If an entry is not correct, select that field and make corrections.

NOTE 1 SELECTION OF THIS FIELD WILL DISPLAY SELECT SPHEROID MENU.

NOTE 2 SELECTION OF THIS FIELD WILL DISPLAY SELECT DATUM MENU.

NOTE 3 FIELD IS ONLY PRESENT IF USER DEFINED (USRDEF) DATUM IS USED.
NOT MODIFIABLE.

NOTE 4 FIELD IS ONLY PRESENT IF USER DEFINED (USRDEF) SPHEROID IS USED.
NOT MODIFIABLE.

NOTE 5 HEMISPHERE FIELD SELECTED THE FOLLOWING WILL BE DISPLAYED.

CHANGE HEMISPHERE? YES NO

WHEN ANY OTHER FIELD IS SELECTED THE FOLLOWING WILL BE DISPLAYED.

CANCEL

① OPERATOR PROMPT AREA FOR LEGAL VALUES

2-15B PDFCS INITIALIZATION - CONTINUED

2-15B.2 Initializing - Continued

Listed below are the legal values for each field of the MAP/DATUM entry Display:

When SPHEROID is selected:

SPHEROID selected will define DATUMs available.
Type 1 . . 9 or A . . I and USRDEF
Press ENT key

When SW EASTING is selected:

EASTING value of SW Corner Of Howitzer Operational Area.
Type 0 to 999999:
Press ENT key.

When SW NORTHING is selected:

NORTHING value of SW Corner of Howitzer Operational Area.
Type 0 to 11000000:
Press ENT key.

When HEMISPHERE is selected:

Select NORTH for above the Equator, SOUTH for below.
CHANGE HEMISPHERE YES NO
Press YES or NO key.

When GRD ZONE is selected:

UTM GRID ZONE of Howitzer Operational Area.
Type 0 to 60:
Press ENT key.

When NE EASTING is selected:

EASTING value of NE Corner Of Howitzer Operational Area.
Type 1 to 999999:
Press ENT key.

When NE NORTHING is selected:

NORTHING value of NE Corner Of Howitzer Operational Area.
Type 0 to 11000000:
Press ENT key.

When GPS OFFSET is selected:

Type -2000.0 to + 2000.0:
Press ENT key.

2-15B PDFCS INITIALIZATION - CONTINUED

2-15B.2 Initializing - Continued

NORMAL				NA	W			
SELECT SPHEROID								
1	2	3	4	5				
6	7	8	9	A				
B	C	D	E	F				
G	H	I	USRDEF					
SELECT				CANCEL				

06pc182t

Enter the defined SPHEROID, PRESS the SELECT SOFT KEY and the SELECT DATUM menu will be displayed. Refer to Tables in Appendix J for SPHEROID listings.

SOFT KEY SEQUENCING SHALL BE AS FOLLOWS:

1. If USRDEF is boxed in and SELECTED then the ENTER USER DEFINED SPHEROID MAJOR AXIS menu will be displayed.
2. If any other SPHEROID is SELECTED then the SELECT DATUM menu will be displayed to force SELECTION of the DATUM.
3. If CANCEL, then the MAP DATUM ENTRY menu will be displayed.

Maps are based upon a “reference datum.” This is really the model of the Earth that the cartographer uses when making a map. The reference datum consists of two parts, the spheroids and the datum offsets.

The Earth is really not a perfectly round globe but is a little “fatter” at the equator. Therefore, the mapmaker uses a spheroid rather than a globe to describe the Earth’s shape. Instead of just using one radius as one would do to describe a globe, two values are used. The first is the semi-major axis. It is the radius of the Earth at the equator. The second number is the semi-minor axis. It is the distance from the center of the Earth to the poles. It is slightly smaller than the semi-major axis. (The WGS 84 model of the Earth uses a semi-major axis of 6,378,137 meters and 6,356,752 meters for the semi-minor axis).

The cartographer may choose to base his model of the Earth’s surface using a center point that is different from the true center of the Earth. This offset of the center point is described by three “datum offset” values: delta X, delta Y and delta Z. These values are typically a few hundred meters.

There are many standard spheroid and datums commonly used for maps. If the mapmod is not supplied by a message from BCS, the PDFCS operator will be told to select a certain spheroid and datum at the display unit. The starting point for entering this data is the MAP/DATUM ENTRY display.

The spheroid is selected using the SELECT SPHEROID sub-display. This display lists choices 1 to 9 and A to I. It is possible to use spheroid values different from the ones in the display lists. The different values are entered as “user defined.” This is selected by the USRDEF option listed as a choice for a spheroid. If the operator selects USRDEF, other sub-displays prompt him to enter the semi-major and semi-minor axes. These values must be obtained from the POC and should only be used with guidance from Battery Commander.

The datum offset is selected using the SELECT DATUM sub-display. This display lists valid choices listed by an alphabetical code. It is possible to use datum offset values different from the ones in the display lists. The different values are entered as “user defined.” This is selected by the USRDEF option listed as a choice for datum offset. The datum offset values are entered using the ENTER USER DATUM PARAMETERS sub-display. (For historical reasons, the offset values are listed as GPS OFFSET X, Y and Z.)

2-15B PDFCS INITIALIZATION - CONTINUED

2-15B.2 Initializing - Continued

06pc239t

① TYPE VALUE
 BETWEEN 6376137.00 AND 6380137.00
 -PRESS ENT KEY-

- 1 Any un-edited DATA fields remain at their current values when ENT KEY is pressed.
- 2 SOFT KEY sequencing shall be as follows:
 - If **CANCEL** , then the SELECT SPHEROID menu will be displayed.
 - If **ENTER** , then the ENTER USER DEFINED SPHEROID MAJOR AXIS menu will be displayed.

06pc240t

① TYPE VALUE
 BETWEEN 6355477.00 AND 6358028.00
 -PRESS ENT KEY-

- 1 Any un-edited DATA fields remain at their current values when ENT KEY is pressed.
- 2 SOFT KEY sequencing shall be as follows:

2-15B PDFCS INITIALIZATION - CONTINUED

2-15B.2 Initializing - Continued

If **CANCEL**, the ENTER USER DEFINED SPHERIOD MAJOR AXIS menu will be displayed.

If **ENTER**, then the CONFIRM USER DEFINED SPHERIOD AXES menu will be displayed.

SOFT KEY sequencing shall be as follows:

06pc187ta

If **CANCEL**, then ENTER USER DEFINED SPHERIOD MINOR AXIS menu will be displayed.

If **USE ALL**, then the SELECT DATUM menu will be displayed.

After all the correct data has been entered, press the USE ALL key to clear * and return to the main menu.

The datum offset is selected using the SELECT DATUM sub-display. This display lists valid choices listed by an alphabetical code. It is possible to use datum offset values different from the ones in the display lists. The different values are entered as "user defined." This is selected by the USRDEF option listed as a choice for datum offset. The datum offset values are entered using the ENTER USER DATUM PARAMETERS sub-display. (For historical reasons, the offset values are listed as GPS OFFSET X, Y and Z.)

2-15B PDFCS INITIALIZATION - CONTINUED

2-15B.2 Initializing - Continued

There is a restriction on the use of user defined spheroid and datum. The operator cannot use a new user defined spheroid if current spheroid selection is user defined. Likewise, the operator cannot select a new user defined datum selection if the current datum selection is user defined. If the operator wants to go from a user defined datum to a new user defined datum, the operator should simply select any standard datum and then enter the new user defined. Likewise, if the operator wants to go from a user defined spheroid to a new user defined spheroid, the operator should simply select any standard spheroid and then enter the new user defined.

When DATUM is selected, SELECT DATUM menu is displayed:

The screenshot shows a rectangular menu window. At the top, there is a title bar with several boxes. The first box contains the word 'NORMAL'. To its right are four empty boxes, followed by a box containing 'NA' and another containing 'W'. Below the title bar, the text 'SELECT DATUM' is centered. Underneath this text is a large empty rectangular area. In the top-left corner of this area is a small box containing the text 'USRDEF'. At the bottom of the menu window, there are two buttons: 'SELECT' on the left and 'CANCEL' on the right.

06pc183ta

If **CANCEL** then the ENTER MAP/DATUM will be displayed.

If **SELECT** then the ENTER USER DATUM PARAMETERS menu is displayed.

Box in the correct DATUM and press the SELECT key. The DATUMs available are dependent on the SPHEROID selected. See Appendix J.

NOTE

The reference frame for UTM position coordinates is a DATUM. Typically, a local DATUM is defined by an ellipsoidal Earth model (SPHEROID) and a starting point (origin) for the coordinate system. Coordinates on a map or in a Trig list (SCPs) often are on a Local DATUM. An example of a Local DATUM is the North American 1927 (NAD 27) DATUM used in the United States.

2-15B PDFCS INITIALIZATION - CONTINUED

2-15B.2 Initializing - Continued

There have been many different Local DATUMs developed. GPS computes position on the World Geodetic System 1984 (WGS 84), a worldwide coordinate system. To use GPS with coordinates on a Local DATUM, the coordinates must be mathematically shifted. The PDFCS (DRUH and PLGR) can automatically perform DATUM shifting, but first the operator must select the Local DATUM to be used, or provide the appropriate shift parameters. For PDFCS operation, Local DATUMs are represented by two sets of parameters: the Local Ellipsoid (SPHEROID) and shift parameters as defined for each Local DATUM (DATUM IDs).

The BCS can provide the SPHEROID via the MAP MOD. The SPHEROID selected will determine which DATUM IDs will be available for selection. The PDFCS/BCS SPHEROID and DATUM TABLE provides the SPHEROID number for the PDFCS and BCS, which DATUM IDs that are available for that SPHEROID number and the normal coverage area. Note that there may be more than one DATUM ID associated with a Local DATUM because the shifts vary by locality. For other DATUMs or areas outside the indicated coverage area, User Defined (USRDEF) Datum shifts may be entered manually. The table is not intended as an absolute. A map sheet will identify the DATUM name, Ellipsoid (SPHEROID) name and the coordinate type, or the map sheet will identify the area. The data from a Trig list should identify the same information. These parameters must be correlated to the DATUM ID. If the applicable DATUM hasn't been programmed in the PDFCS, shift parameters for many other DATUMs and regions have been published in DMA TR 8350.2 and may be entered thru the GPS X, Y and Z OFFSETs. Note that the PDFCS can not accept shift parameters for all DATUMs because its SPHEROID capability is limited to those listed in the PDFCS/BCS Table (Appendix J).

If the DATUM USRDEF is selected, then the GPS X, Y and Z offsets must be entered. These values must be obtained from the POC and should only be used with guidance from Battery Commander.

The ENTER USER DATUM PARAMETERS page should look like:

NORMAL					NA	W
ENTER USER DATUM PARAMETERS						
GRS OFFSET X			+0.0			
GPS OFFSET Y			+0.0			
GPS OFFSET Z			+0.0			
SELECT		USE ALL		CANCEL		

06pc113ma

When GPS OFFSET X is selected:
 Type -2000.0 to +2000.0
 Press ENT key.

When GPS OFFSET Y is selected:
 Type -2000.0 to +2000.0

When GPS OFFSET is selected:
 Type -2000.0 to +2000.0

2-15B PDFCS INITIALIZATION - CONTINUED

2-15B.2 Initializing - Continued

06pc184t

- 1 When any field selected:
 TYPE OFFSET
 BETWEEN -2000.0 AND +2000.0
 -PRESS ENT KEY-
- 2 When field selected: **+ / -**
 Otherwise: **USE ALL**
- 3 When no fields are selected: **SELECT**
 Otherwise: BLANK

NOTE

- Any un-edited DATA fields remain at their current values when USE ALL KEY is pressed.
- SOFT KEY sequencing shall be as follows:
 If **CANCEL** , then the SELECT DATUM menu will be displayed.
 If **USE ALL** , then the MAP/DATUM ENTRY menu will be displayed.

NOTE

- If **CANCEL** is selected, all information up to this point will be deleted.

MAP/DATUM ENTRY			
SPHEROID	2	HEMISPHERE	NORTH
DATUM	USRDEF	GRID ZONE	1
SW EASTING	500000	NE EASTING	510000
SW NORTHING	11500000	NE NORTHING	10000
GPS OFFSET X	+0.0	GPS OFFSET Y	+0.0
SPHEROID	MAJ _____	MIN _____	

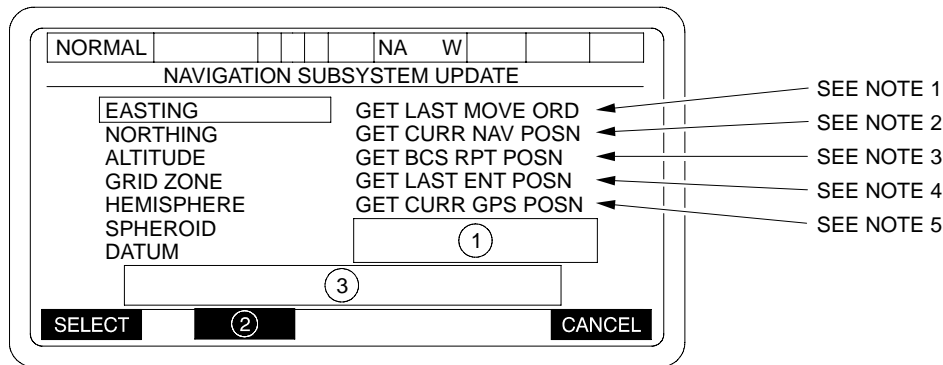
06pc241t

- If **USE ALL** , all information will be locked in and the SETUP AND INFORMATION MENU will be displayed.

2-15B PDFCS INITIALIZATION - CONTINUED

2-15B.2 Initializing - Continued

- (4) NAV UPDATE - Navigation Subsystem Update is performed as follows:
- With the Gun Tube in Travel Lock, park the howitzer at a known Survey Control Point (SCP) with the left sprocket within one meter of SCP.
 - Box in *NAV UPDATE and press the SELECT soft key. This will bring up the NAVIGATION SUBSYSTEM UPDATE menu.



06pc188t

NOTE

The datum to be used is selected from the SETUP AND INFORMATION menu (Enter MAP/DATUM menu)

- This field contains OPERATOR PROMPTS and selections which depend on the current status of the NAVIGATION SUBSYSTEM
- When ALTITUDE SELECTED - **+/-**
otherwise - **USE ALL**
- This field contains OPERATOR PROMPTS for updating the values of: EASTING, NORTHING, ALTITUDE, and GRID ZONE:

When EASTING is selected:
Type EASTING 0 to 999999
Press ENT key

When NORTHING is selected:
Type NORTHING 0 to 10000000
Press ENT key

When ALTITUDE is selected:
Type ALTITUDE -1,000 to 10,000
Press ENT key

When GRID ZONE is selected:
Type GRID ZONE 1 to 60
Press ENT key

HEMISPHERE = NORTH or SOUTH

SPHEROID = 1 . . 9 and A . . I and USRDEF (not modifiable by operator)

DATUM = See Table in Appendix J (not modifiable by operator on this display)

2-15B PDFCS INITIALIZATION - CONTINUED

2-15B.2 Initializing - Continued

NOTE 1: Blank if no Move Order occurred since the last power up of the PDFCS.

NOTE 2: Blank when Navigation Subsystem is not available.

NOTE 3: Available if position data has been sent from the BCS. Selection disappears when PDFCS operator performs Nav Update or Move Order.

NOTE 4: Last coordinates on which position update was performed. Blank if operator has pressed the ARRIVED key at a position area since the last position update.

NOTE 5: Field is blank when the following conditions exist:

- a. Navigation subsystem functionality not currently available.
- b. GPS position data not currently available from the Navigation subsystem.
- c. The GPS position data currently available has an estimated probable error greater than the navigation devices' "poor GPS data limit".

If the available GPS data has an estimated probable error greater than the Navigation device "Good GPS data limit", but less than or equal to the navigation device "Poor GPS data limit" when this menu item is selected, then the following alert will be placed on the soft key line:

USE DGRD GPS DATA? YES NO

If the YES soft key is pressed, then the available GPS data shall be used to update the listing, Northing, and Altitude fields on the menu. If the NO soft key is pressed, then the Easting, Northing, and Altitude fields on the menu will not be updated with the available GPS data.

NOTE

Use in accordance with unit SOP.

- (c) **RESTART REQUIRED** - This prompt will appear in field (1). With the gun tube in travel lock, the Howitzer must be positioned at a Survey Control Point (SCP) with the left front sprocket within one meter on the SCP. No selection of RESTART REQUIRED is required, it will happen automatically and a full alignment will be performed. Enter the SCP data of EASTING, NORTHING ALTITUDE and GRID ZONE. When all data is entered, double check the SCP coordinates and MAP/DATUM SPHEROID, DATUM, and HEMISPHERE displayed on the screen. If it is not correct, make any correction. If it is correct, press the USE ALL soft key. The following prompt will be displayed:

"NAV POSITION UPDATE ABOUT TO START" "ARE YOU SURE" "YES" "NO"

Press the "YES" soft key, and the Navigation Position Update will be started. The SETUP AND INFORMATION menu will appear. The prompt "CMD" will appear in field (6), and then be replaced by the Align Time to Go countdown. Proceed with the rest of Initialization.

- (d) **NAV POSITION UPDATE** - If this prompt is displayed in field (1), then only a Navigation Subsystem Position Update is required. With the gun tube in travel lock, the Howitzer must be positioned at a Survey Control Point (SCP), with the left front sprocket within one meter of the SCP. Enter the SCP data of EASTING, NORTHING and ALTITUDE. When all data is entered, double check the SCP coordinates and MAP/DATUM SPHEROID, DATUM, GRID ZONE and HEMISPHERE displayed on the screen. If it is not correct, make any correction. If it is correct, press the USE ALL soft key. The following prompt will be displayed:

"NAV POSITION UPDATE ABOUT TO START" "ARE YOU SURE" "YES" "NO"

Press the "YES" soft key, and the Navigation Position Update will be started. The SETUP AND INFORMATION menu will appear. The prompt "CMD" will appear in field (6), and then be replaced by the Align Time to Go countdown. Proceed with the rest of Initialization.

2-15B PDFCS INITIALIZATION - CONTINUED

2-15B.2 Initializing - Continued

- (e) NAV RESTART - If the prompt NAV POSITION UPDATE is highlighted and selected, a message prompt "CHANGE TO RESTART" "YES" "NO" will appear. Press the "YES" soft key. "FORCE NAV RESTART" will appear. Press "USE ALL" then press the "YES" soft key to "ARE YOU SURE" prompt, the SETUP AND INFORMATION menu will be displayed and CMD will be displayed in field (6). This will be replaced with the Align Time to Go count down timer. The Navigation Subsystem aligns itself automatically.

NOTE

The Navigation Subsystem has 3 modes of alignment; Stored Heading Alignment, Normal Alignment and Dynamic Alignment.

- (1) Stored Heading Alignment - Will occur only if the previous PDFCS shutdown was orderly and the Howitzer or Turret has not moved since the last shutdown. This Alignment will take a maximum of 90 seconds, and will start as soon as the power is applied to the Navigation Subsystem. A NAV UPDATE is still required. But since the Howitzer has not moved since the last shutdown, all the NAV UPDATE data should be correct and only pressing the USE ALL soft key is required. If the Howitzer has been moved since the last shutdown, or the last shutdown was abnormal, or the Howitzer was moving during the last shutdown procedure, the Stored Heading Alignment will automatically be rejected and after a NAV UPDATE is performed the Navigation Subsystem will automatically perform a Normal Align.
- (2) Normal Alignment - Will occur when ever a Stored Heading Alignment can not be performed. This alignment will take a maximum of 15 minutes (900 seconds). After the NAV UPDATE is performed and accepted, the Normal Alignment will automatically start, and the Align Time to Go counter will start counting down to 0. During the countdown, a message "OK TO MOVE OR SHOOT" "ACK" may appear before the countdown reaches 0. This means the Navigation Subsystem estimated Azimuth Error is within the bounds that are safe to move or shoot. At this point, a Move Order or Fire Missions may be performed. If the PLGR data is valid (i.e. the "A" is gone) the Align Time to Go counter will continue to countdown while the Howitzer is moving. If the PLGR is not valid (i.e. "A" is on), the timer will stop counting during movement and ZUPTs will be requested.
- (3) Dynamic Alignment - A Dynamic Alignment is nothing more than a moving Normal Alignment, but the following conditions must be met: The PLGR must have data (i.e. the "A" is gone) and a NAV UPDATE must have been performed prior to movement. If these conditions are true, then the Howitzer may be moved before the "OK TO MOVE OR SHOOT" "ACK" is displayed. Move Orders and Fire Missions can not be performed, but as long as the PLGR is valid (i.e. the "A" is gone), the Align Time to Go timer will continue to countdown and the Navigation Subsystem will not require a RESTART. Moving prior to the "OK TO MOVE OR SHOOT" "ACK" must be done in accordance with Unit SOP.

2-15B PDFCS INITIALIZATION - CONTINUED

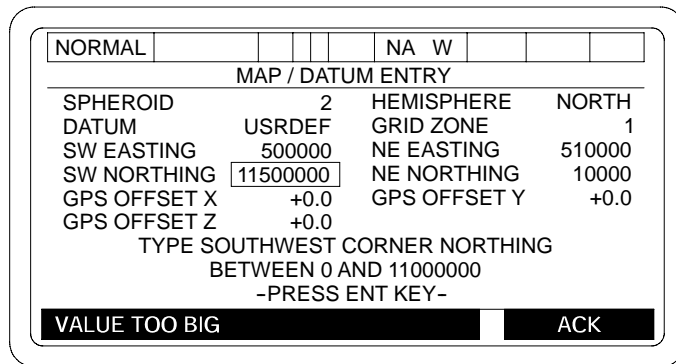
2-15B.2 Initializing - Continued

NOTE

PDFCS supports two modes of Navigation Update; a Position Update and a Navigation Subsystem Restart. Normally, the Navigation Subsystem will align itself automatically, so only a Position Update is required.

- (4) To perform a Nav Position Update, if entries are correct per unit SOP. If incorrect, this indicates that BCS DATA Transfer of the Map Mod was not successful in the previous step; press CANCEL, to return to the SETUP AND INFORMATION menu and repeat the BCS DATA XFER procedure to get initialized by BCS. If GRID ZONE, HEMISPHERE and SPHEROID entries are correct, then enter, in turn, EASTING, NORTHING, and ALTITUDE as follows: for each item, first box in the item, then press SELECT key. Use PDFCS keypad to type in value. Press ENT key. Press USE ALL to complete the NAV UPDATE and return to the SETUP AND INFORMATION menu.

If invalid data is entered, the Navigational System will reject it and ask for data re-entry. Press ACK key to acknowledge Alert and re-enter data.



06pc116m

- (5) AMMO INVENTORY - Ammunition inventory must be done before the PDFCS will accept a fire mission. Inventories must be complete and accurate before the system initialization is completed. The three parts of the inventory records, Shells, Propellants, and Fuzes, are updated as follows:

2-15B PDFCS INITIALIZATION - CONTINUED

2-15B.2 Initializing - Continued

- (a) Box in AMMO INVENTORY from the SETUP AND INFORMATION menu. Then press SELECT key. This will cause an INVENTORY MANAGEMENT menu to be displayed. Box in either EDIT CURRENT PALADIN or EDIT BCS PROVIDED data. Press SELECT key. This will cause an INVENTORY MANAGEMENT menu to be displayed.

The screenshot shows a terminal window with the following content:

```

NORMAL | | | | | | | | | |
-----
INVENTORY MANAGEMENT
-----
          EDIT CURRENT PALADIN
          EDIT BCS PROVIDED
-----
SELECT  CANCEL
  
```

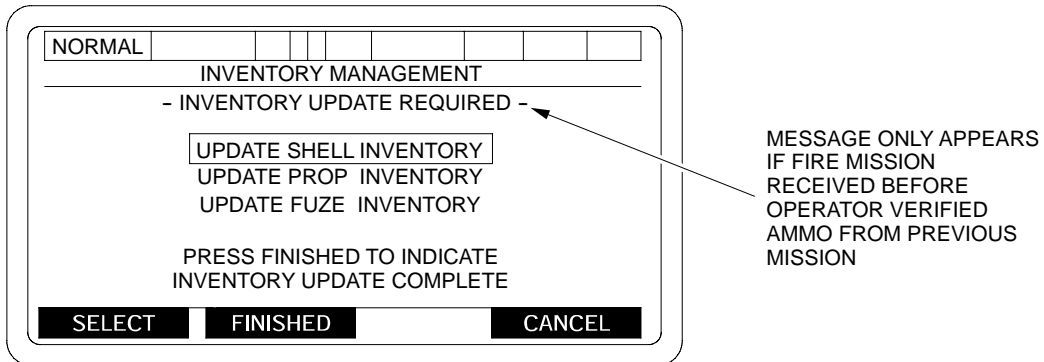
06pc635m

NOTE

- This menu will not be displayed when BCS Provided Inventory Data is not available at the PDFCS.
- You can request the POC to provide your Ammo Inventory from the BCS if you know it is a correct count. Use BCS DATA XFER to GET AMMO STATUS (para 2-15B.2.d(2)).

2-15B PDFCS INITIALIZATION - CONTINUED

2-15B.2 Initializing - Continued



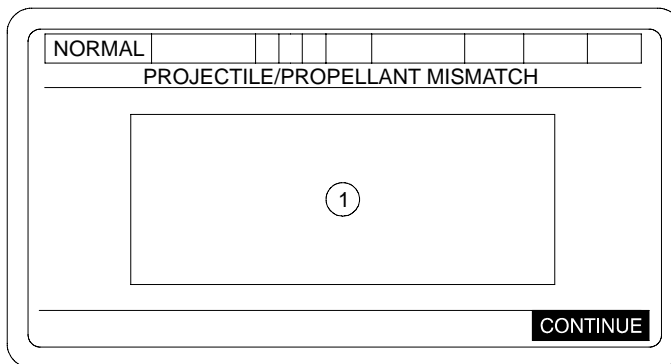
06pc118m

NOTE

If a Fire Mission is activated while in any of the ammunition inventory submenus, all valid complete entries will be saved.

FINISHED

- = When the Finished key is pressed the ammunition inventory shall be reviewed to insure each group of projectiles has at least one propellant and each group of propellants has at least one projectile. If a projectile is found without a propellant or a propellant without a projectile, the PDFCS will display Projectile/Propellant Mismatch menu.



06pc189t

CONTINUE = Will display INVENTORY MANAGEMENT menu.

- ① = NO "US" PROJECTILE MATCH and or NO "US" PROPELLANT MATCH

NOTE

Use Up and DOWN keys to scroll.

2-15B PDFCS INITIALIZATION - CONTINUED

2-15B.2 Initializing - Continued

- (b) Box in UPDATE SHELL INVENTORY. Press SELECT key. This will cause an UPDATE SHELL INVENTORY menu to be displayed.

PROJECTILE TYPES ARE SORTED BY LOT

COUNTRY CODE

LAST ENTRY OF MENU IS DASHED UNLESS ALL LOTS ARE DEFINED

06pc190t

NOTE

Pressing the DELETE key will cause the selected shell to be deleted from inventory no matter where on the inventory line the selection box is positioned.

- (c) To add a new entry, box in the first blank line. Press SELECT key. This will cause an UPDATE SHELL INVENTORY-SELECT SHELL TYPE menu to be displayed.

INITIALLY BOX SHELL TYPE FROM THE SELECTED INVENTORY ENTRY OR BOX THE FIRST ITEM IF A BLANK LINE WAS SELECTED

COUNTRY OF ORIGIN

06pc191t

2-15B PDFCS INITIALIZATION - CONTINUED

2-15B.2 Initializing - Continued

(d) Press SELECT key to display a SELECT LOT menu.

INITIALLY BOX LOT FROM SELECTED INVENTORY ENTRY (IF BLANK LINE NOT SELECTED) OTHERWISE BOX THE FIRST AVAILABLE UNUSED LOT

BLANK ALL USED LOTS EXCEPT THE LOT FROM THE SELECTED INVENTORY ENTRY (IF A BLANK LINE NOT SELECTED)

COUNTRY OF ORIGIN

06pc192t

(e) Box in Lot choice and press SELECT key. This will cause a lot designator to be assigned to the selected shell. Once a lot selection is made, that designator (letter) will disappear. This prevents using same lot twice. When the SELECT key is pressed, an EDIT LOT/TYPE DESIGNATION menu will be displayed.

COUNTRY OF ORIGIN

WEIGHT FROM INVENTORY ENTRY (IF BLANK LINE NOT SELECTED)

OTHERWISE USES DEFAULT WEIGHT FOR THE SELECTED SHELL TYPE

OR SQUARES IF SHELL IS WEIGHT ZONED

06pc193t

(f) If shell weight is not the same as default weight, type in new weight and press ENT key. This will cause the UPDATE SHELL INVENTORY menu to be displayed.

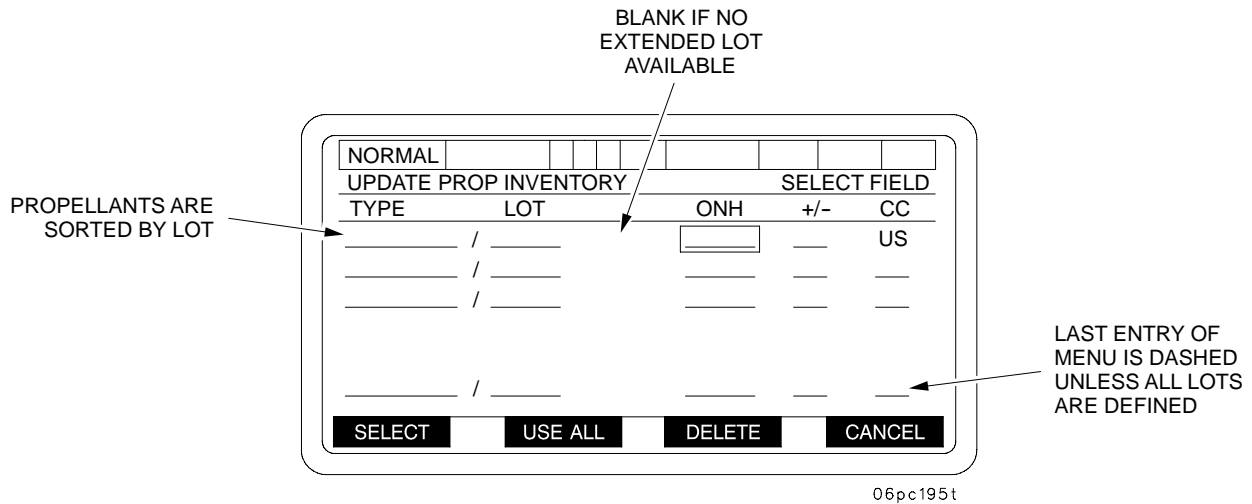
NOTE

Weight will be displayed in pounds or squares.

2-15B PDFCS INITIALIZATION - CONTINUED

2-15B.2 Initializing - Continued

- (i) Box in UPDATE PROP INVENTORY on INVENTORY MANAGEMENT (UPDATE) menu. Press SELECT key to display UPDATE PROP INVENTORY menu.



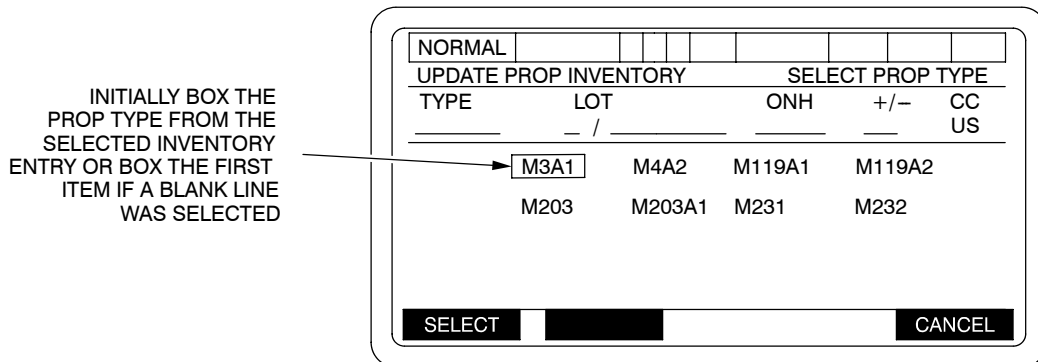
NOTE

The DELETE key shall cause the selected propellant to be deleted from inventory no matter where on the inventory line the selection box is positioned.

- (j) To add a new entry, box in the first blank line on UPDATE PROP INVENTORY menu. Press SELECT key to display SELECT PROP TYPE menu. Box in propellant type and press SELECT key.

NOTE

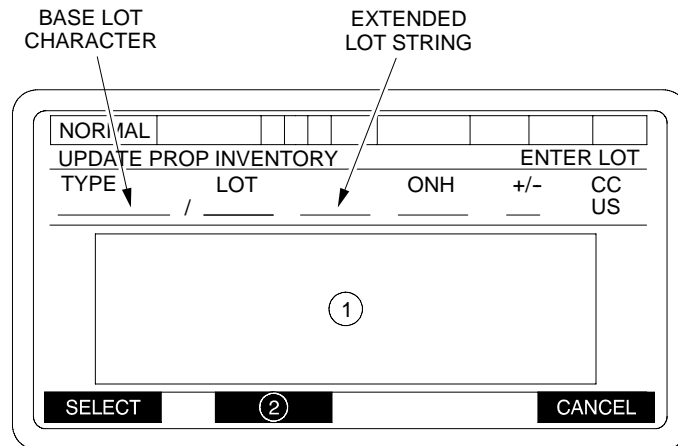
The data displayed on the third line of this display is that given in the selected inventory entry (either a blank line or an existing entry) and is updated as entries are made.



2-15B PDFCS INITIALIZATION - CONTINUED

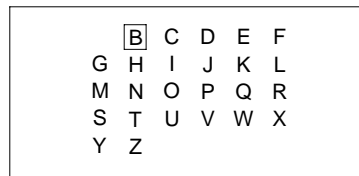
2-15B.2 Initializing - Continued

- (k) When the SELECT key on the Select Prop Type screen is pressed the ENTER LOT menu will be displayed.



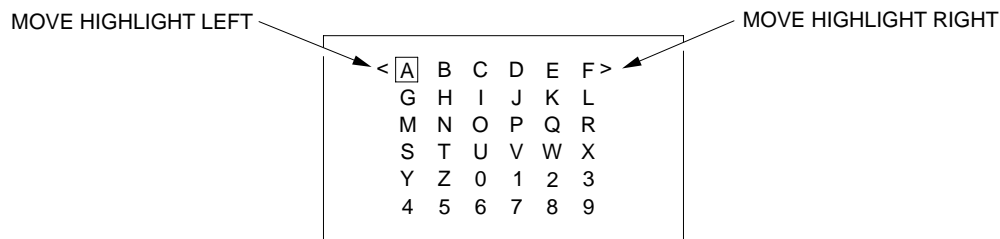
06pc197t

- 1 On initial entry to this display, the cursor box is on the base lot from the selected inventory entry (if a blank line was not selected). Otherwise, box the first available unused base lot letter. The base lot location in the upper display is highlighted in reverse video. All base lots currently in the propellant inventory are deleted from the selection area (except for the selected inventory entry base lot if not on a blank inventory line).



06pc127m

After the base lot is selected, the extended lot editing function is entered. All alphanumeric characters and highlight movement characters are made available for operator selection. The reverse video highlight is initially moved to the first character position (left most character) in the extended lot string. Highlight movement will wrap at the ends of the extended lot string. Pressing the CLR key will erase the character under the reverse video highlight.



06pc127m

- 2 Blank - until extended lot string editing begins
USE ALL - while editing the extended lot string

2-15B PDFCS INITIALIZATION - CONTINUED

2-15B.2 Initializing - Continued

When USE ALL key is pressed, the extended string is compared with other extended lot codes in inventory. If a duplicate extended lot string is found, a short error message will be displayed.

DUPLICATE EXTENDED LOT FOUND ACK

When ACK is pressed, the extended lot editing function will be resumed and the highlight will be at the last character position prior to pressing USE ALL. Before pressing USE ALL, enter a different extended lot.

06pc198t

- (I) When the USE ALL key is pressed, the Update Prop Inventory menu is displayed. Box in either +/- column and press SELECT key. Type in new quantity and press ENTER key. New quantity will be displayed.

NUMERIC FIELD
ADDS/SUBTRACTS
ENTERED VALUE
TO ON-HAND
QUANTITY (1-9999)

06pc199t

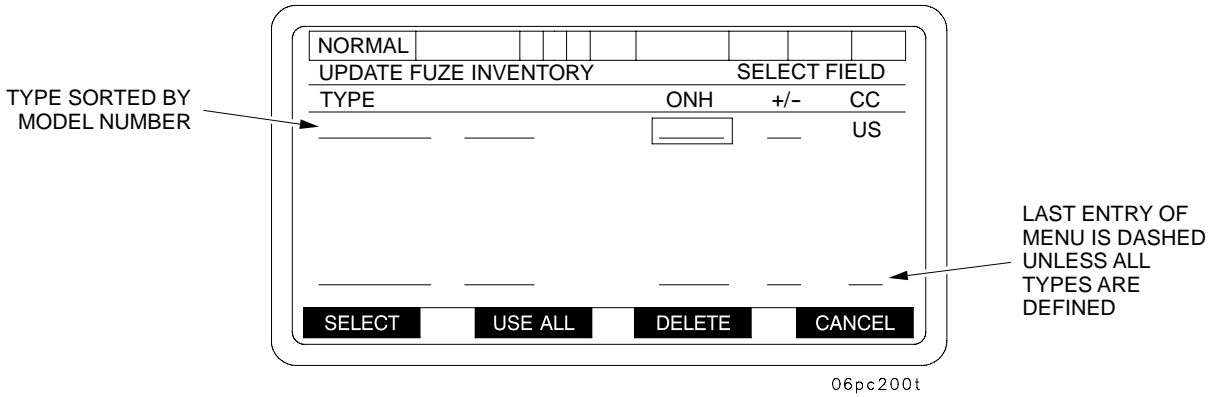
NOTE

The +/- soft key will appear when the +/- column is selected. If you select the ONH column, the +/- soft key will not appear.

2-15B PDFCS INITIALIZATION - CONTINUED

2-15B.2 Initializing - Continued

- (m) When propellant types have been updated or edited, press USE ALL key. This will cause the INVENTORY MANAGEMENT menu to be displayed.
- (n) Box in UPDATE FUZE INVENTORY on INVENTORY MANAGEMENT menu. Press SELECT key to display UPDATE FUZE INVENTORY - SELECT FIELD menu. To add a new entry, move box to the first blank line. Press SELECT key. A SELECT FUZE TYPE menu will be displayed.



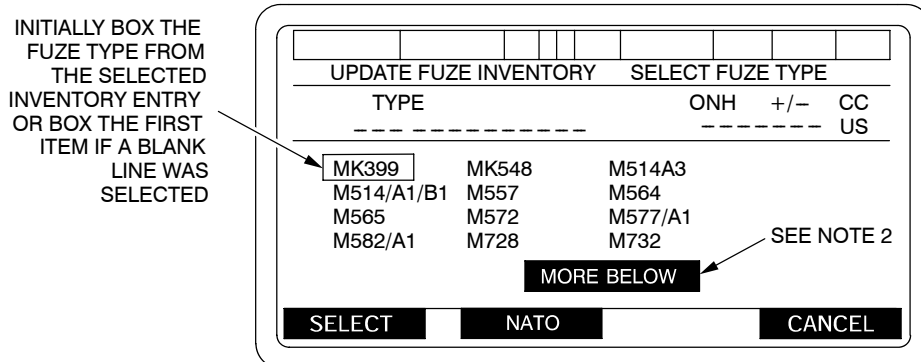
NOTE

The DELETE key shall cause the selected fuze to be deleted from inventory no matter where on the inventory line the selection box is positioned.

- (o) Box in FUZE TYPE and press SELECT key. Move box to proper column (ONH, or +/-). Press SELECT key. Type in quantity and press ENT key.

NOTE

The data displayed on the third line of this display is that given in the selected inventory entry (either a blank line or an existing entry) and is updated as entries are made.



MORE ABOVE

M582/A1	M728	M732
M732/A2	M739/A1	M762
M767	M782	

06pc464ma

2-15B PDFCS INITIALIZATION - CONTINUED

2-15B.2 Initializing - Continued

UPDATE QUANTITY	TYPE	ONH	+/-	CC	US

NUMERIC FIELD ENTERS NEW ON-HAND QUANTITY (1-9999)

TYPE FUZE QUANTITY -PRESS ENT KEY- CANCEL

06pc202t

NOTE

The +/- Softkey will appear when the +/- column is selected. If you select the ONH column, the +/- Softkey will not appear.

- (p) When fuzes have been updated, press USE ALL key to return to INVENTORY MANAGEMENT menu.

INVENTORY MANAGEMENT

- INVENTORY UPDATE REQUIRED -

UPDATE SHELL INVENTORY
UPDATE PROP INVENTORY
UPDATE FUZE INVENTORY

PRESS FINISHED TO INDICATE INVENTORY UPDATE COMPLETE

SELECT FINISHED CANCEL

MESSAGE ONLY APPEARS IF A FIRE MISSION RECEIVED BEFORE OPERATOR VERIFIED AMMO FROM PREVIOUS MISSION

06pc203t

NOTE

- If a fire mission is activated while in any of the ammunition inventory sub-menus, all valid complete entries with consistent projectile/propellant, country code matches shall be saved.
- If the **CANCEL** Softkey is selected all edits will be ignored.

FINISHED = When the finished key is pressed the ammunition inventory shall be reviewed to insure each group of projectiles has at least one propellant and each group of propellants has at least one projectile. If a projectile group is found without a propellant or a propellant without a projectile, the PDFCS will display PROJECTILE/PROPELLANT MISMATCH menu. Pressing the CONTINUE Softkey on this menu will return operator to the INVENTORY MANAGEMENT menu, at which time the operator has to update SHELL/PROP inventory.

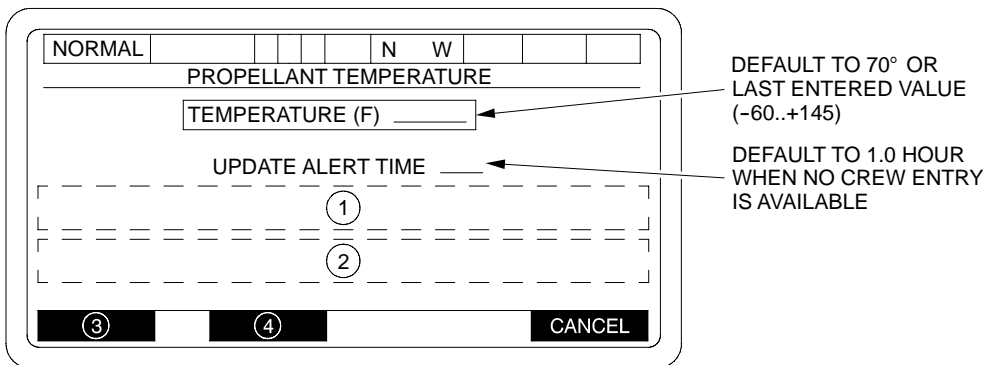
2-15B PDFCS INITIALIZATION - CONTINUED

2-15B.2 Initializing - Continued

- (q) When all ammunition data has been entered or updated, press FINISHED key to display the SETUP AND INFORMATION menu.
- (6) PROPELLANT TEMPERATURE - Must be entered in order to complete initialization. After ammunition has been received, a propellant temperature should be obtained by the crew using a calibrated propellant temperature gage. Propellant temperatures are entered as follows:

NOTE

- Accurate propellant temperatures must be entered in order for PDFCS to accurately compute Muzzle Velocity Variances.
 - Numerical value must be entered before sign. Default sign is (+).
- (a) Box in PROP TEMP from SETUP AND INFORMATION menu. Press SELECT key. A PROPELLANT TEMPERATURE menu will be displayed. Type in correct temperature and press ENT key.



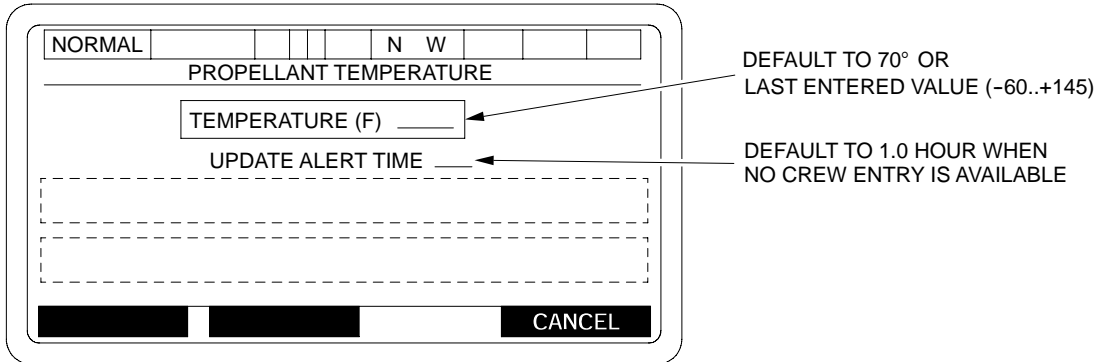
06pc204t

- ① TIME TO GO XX:XX (HOURS:MINUTES) OR TIME EXCEEDED
- ② WHEN TEMPERATURE SELECTED
 TYPE TEMPERATURE IN FAHRENHEIT DEGREES: -60 TO +145
 - PRESS ENT KEY -
 WHEN UPDATE ALERT TIME SELECTED
 TYPE UPDATE TIME IN 0.5 HOUR INCREMENTS 0.5 TO 2.0
 - PRESS ENT KEY -
- ③ BLANK - When TEMPERATURE or UPDATE ALERT TIME selected
 SELECT - When item is not selected
- ④ USE ALL - When no item is selected
 +/- - When temperature is selected
 BLANK - When UPDATE ALERT TIME is selected

2-15B PDFCS INITIALIZATION - CONTINUED

2-15B.2 Initializing - Continued

- (b) If a temperature outside allowable range is input, operator alert "VALUE TOO BIG" or "VALUE TOO SMALL" will appear when ENT key is pressed. The ACK key must be pressed to return to the PROPELLANT TEMPERATURE menu to enter correct temperature.

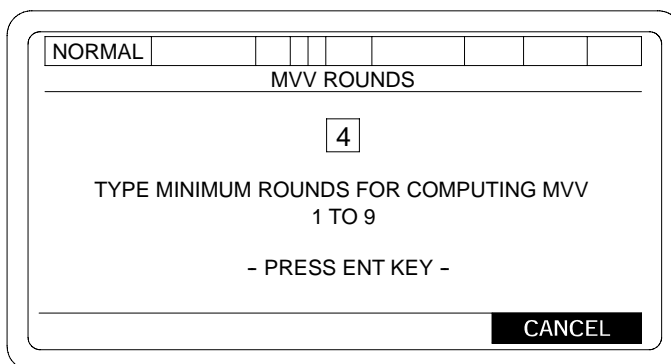


06pc134ma

- (c) A propellant temperature is input during initialization by selecting PROP TEMP from the SETUP AND INFORMATION menu to display the PROPELLANT TEMPERATURE menu. The operator is allowed to enter the propellant temperature. If no temperature is entered the PDFCS will use the default value of 70 degrees F. To enter the propellant temperature, place cursor to TEMPERATURE (F), press the soft key under SELECT prompt. An operator prompt "TYPE TEMPERATURE IN FAHRENHEIT DEGREES -60 TO +145 --PRESS ENTER KEY" will appear. Type in propellant temperature and press ENT key. In addition, the PDFCS incorporates a timed audible and visual alert to the operator to warn that a propellant temperature update is required. The time interval to use for the audible and visual alerts are selectable on the PROP TEMP menu, from 30 minutes (0.5 hours) to 120 minutes (2.0 hours) in 30 minute increments. The alert time is defaulted to 1.0 hour when no time is entered by the operator. To set alert time, place cursor on UPDATE ALERT TIME, and press soft key under SELECT prompt. An operator prompt, "TYPE UPDATE TIME IN 0.5 HOUR INCREMENTS 0.5 TO 2.0, PRESS ENTER KEY. When the operator has successfully entered the propellant temperature and alert time return to SETUP AND INFORMATION menu by pressing soft key under USE ALL prompt. When correct propellant temperature and alert time have been entered, pressing USE ALL will display the SETUP AND INFORMATION menu.

- (7) MUZZLE VELOCITY VARIANCE (MVV) - To set the minimum number of rounds that will be used in calculating muzzle velocity variances, select the MVV ROUNDS from the SETUP AND INFORMATION screen.

- NOTE:
1. The entry field will display the current MVV rounds selected and will default to 4 on systems initialization.
 2. To use the MVV, you must have an extended lot code in the PDFCS inventory.



06pc610m

2-15B PDFCS INITIALIZATION - CONTINUED

2-15B.2 Initializing - Continued

(8) TOT RESPONSE TIME - This is used to set crew time response for a specific fire mission. The data tells the PDFCS how much advance warning a crew needs before a Time on Target (TOT) mission is to be fired. This data is entered as follows:

- (a) Box in TOT RESPONSE from SETUP AND INFORMATION menu. Press SELECT key to display a TIME ON TARGET CREW RESPONSE TIME menu.
- (b) Enter data for response time and press the ENT key. This will return the display to the SETUP AND INFORMATION menu.

NORMAL | | | | | N W | | | | |

TIME ON TARGET CREW RESPONSE TIME

TOT RESPONSE TIME 10.0

TYPE TIME BETWEEN
.5 AND 10.0 MINUTES
- PRESS ENT KEY -

CANCEL

06pc136m

(9) LOAD ELEVATION - This data is entered in the PDFCS to specify an elevation that the gun tube will automatically return to after firing when the LOAD key is pressed on the PDU panel. Enter LOAD ELEVATION as follows:

- (a) Box in LOAD ELEVATION from the SETUP AND INFORMATION menu. Press SELECT key to display a TUBE LOAD ELEVATION menu.

CAUTION

Do not enter an elevation greater than 300 mils. Settings above 300 mils may result in breech failing to close and could cause unnecessary wear on spring pack.

NOTE

Numerical value must be entered before sign. Default sign is (+).

- (b) Type in desired elevation data and press ENT key. The SETUP AND INFORMATION menu will be displayed.

NORMAL | | | | | N W | | | | |

TUBE LOAD ELEVATION

LOAD ELEVATION OVER 300 MILS ARE NOT
RECOMMENDED. WEAKENS BREECH SPRINGS.

LOAD ELEVATION +300

TYPE LOAD ELEVATION IN MILS
BETWEEN -200 AND 1333
- PRESS ENT KEY -

+/- CANCEL

NUMERIC FIELD LOAD ELEVATION -200..1333 MILS
DEFAULT TO CURRENT LOAD ELEVATION

06bc135m

2-15B PDFCS INITIALIZATION - CONTINUED

2-15B.2 Initializing - Continued

(10) SECTOR OF FIRE - Used to define the howitzer's sector of fire. Data is entered as follows:

- (a) Box in SECTOR OF FIRE from SETUP AND INFORMATION menu. Press SELECT key to display DEFINE SECTOR OF FIRE menu.
- (b) Box in LEFT LIMIT OF SECTOR. Press SELECT key. Enter data. Press ENT key. Move box to AOF. Press SELECT key. Enter data. Press ENT key. Move box to RIGHT LIMIT OF SECTOR. Press SELECT key. Enter data. Press ENT key.

06pc205t

IF LEFT = RIGHT

ERROR - LEFT AND RIGHT EQUAL **ACK**

If AZIMUTH OF FIRE is not to
RIGHT OF LEFT LIMIT and LEFT
OF RIGHT LIMIT.

ERROR - AZIMUTH OF FIRE NOT IN SECTOR **ACK**

① BLANK: No selection made

Selection made:

“TYPE AZIMUTH BETWEEN 0 AND 6399 MILS”

“PRESS ENT KEY”

NOTE

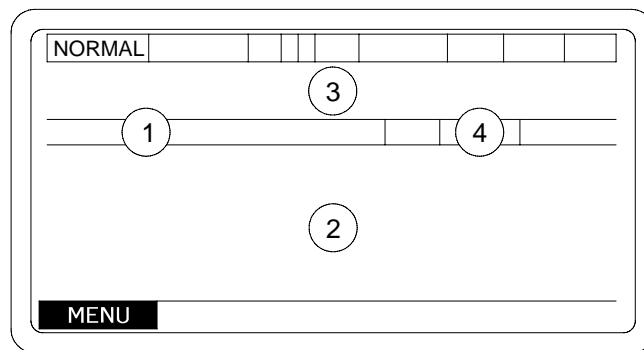
- Operator entered Sector of Fire data will be used by the PDFCS during Move Orders to help orient the vehicle during emplacement at a Firing Point/Firing Area.
- During Emplacement after a Move Order, this AOF will be “Base Azimuth” for 3200 Deflection.
- SECTOR OF FIRE entered by the operator will be used to calculate ballistic if BCS has not sent SECTOR OF FIRE for prescribed location (FIRING AREA/POINT).

- (c) When all correct data has been entered, press USE ALL key to enter data and return to SETUP AND INFORMATION menu. Operator entered Sector of Fire data will update the Site Data display.

2-15B PDFCS INITIALIZATION - CONTINUED

2-15B.2 Initializing - Continued

- (d) When all initialization data (Asterisk items from SETUP AND INFORMATION menu) has been entered, and the navigation subsystem alert "OK TO MOVE OR SHOOT", "ACK" has been displayed and the ACK key pressed, then press CANCEL key on SETUP AND INFORMATION menu to bring up a SECTION IN ORDER AT INITIALIZATION POINT display.



06pc138m

- ① "FPF/PRI EXISTS" FPF/PRI TARGET EXISTS IN STORED TARGET TABLE
"NO FPF/PRI EXISTS" - FPF/PRI TARGET DOES NOT EXIST IN STORED TARGET TABLE
- ② "SECTION IN ORDER AT LOGISTICS POINT" - ARRIVAL LOCATION IS LOGISTICS POINT
"SECTION IN ORDER AT INITIALIZATION POINT" - ARRIVAL LOCATION IS INITIALIZATION POINT
- ③ **DO NOT MOVE** - NO FPF/PRI EXISTS
DO NOT MOVE / DO NOT LOAD - FPF-PRI TARGET EXISTS
- ④ TUBE TEMPERATURE STATUS

2-15B PDFCS INITIALIZATION - CONTINUED

2-15B.3 Initialization After an Orderly Shutdown.

WARNING

When operating the PLGR on external power with BA-5800 lithium battery installed, the battery may explode. Ensure battery is removed before connecting power cable to prevent serious injury or death.

NOTE

PMVS must be installed and connected prior to turning the vehicle MASTER power switch ON.

During PDFCS operation, it may become necessary to power down and then back up; e.g., a system lockup occurs.

NOTE

After PDFCS has been powered down, the PDFCS will power up and be operational in approximately 3-4 minutes.

Power down in this form causes an orderly shutdown, and some of the PDFCS data is saved. An orderly shutdown also occurs when the power is turned off after normal operations. Some of the data saved on orderly shutdown is Net Access, Net Address, Ammo Inventory, Navigation Data (location where system was powered down), TOT Response, Load Elevation, and the last operator-entered Sector of Fire. When the system is turned back on from an orderly shutdown, step-by-step initialization is not necessary, although action on all asterisk marked items on the SETUP AND INFORMATION menu must be accomplished. The process for initialization after an orderly shutdown is as follows:

- a. System Power Up. Set MASTER switch and Power Conditioner Unit-2 circuit breakers to ON.

With the PLGR in the PLGR mount and all external cables attached, press the ON/BRT key on the PLGR key pad. The PLGR should power up automatically and perform its self-test (BIT). Operate the PLGR in accordance with the PLGR TM 11-5825-291-13.

If the PLGR does not have a current key (i.e. the PLGR was previously "zeroized," newly installed or the key has expired), then load a valid key in accordance with the PLGR TM 11-5825-291-13, Section 3.6.

NOTE

To load a key, the DRUH must be off, or the P4 DRUH-PLGR Signal Connector must be disconnected to cause a PLGR COM FAIL. Simple re-attachment of P4 DRUH-PLGR Signal Connector after PLGR keying will automatically cause DRUH-PLGR communications to resume if DRUH is on.

If the PLGR antenna has a clear view of the sky, turn PLGR on. If the antenna's view of the sky is blocked (e.g. the vehicle is in a building, under tree cover or parked next to a large structure), move vehicle until the PLGR is clear.

If the vehicle can not be moved, keep PLGR turned off until the vehicle can be moved to a location with a clear view of the sky.

2-15B PDFCS INITIALIZATION - CONTINUED

2-15B.3 Initialization After an Orderly Shutdown - Continued

NOTE

- If the PLGR is off, the Navigation Subsystem will still accept initialization data from the PDFCS for inertial operation and the Navigation System will operate as before.
 - Guidelines for conditions and times for the PLGR to obtain position data acceptable by the PDFCS.
- (1) If the antenna has a clear view of the sky and PLGR has a valid position, current GPS time, current GUV key, and has stored a current satellite almanac, PLGR will be acceptable for use in about three minutes following the first turn-on of the day. It will take about 90 seconds for subsequent turn-ons. These are the normal operating conditions.
 - (2) If the antenna has a clear view of the sky and PLGR has a current GUV key but the PLGR doesn't have a valid position, current GPS time, or current satellite almanac, it may take up to 20 minutes after turn-on for the PLGR to output data of acceptable accuracy.
 - (3) If the PLGR has a valid position, current GPS time, current key, and current satellite almanac, but the antenna is masked from a clear view of the sky when PLGR is turned on, it may take up to 20 minutes to get acceptable data after the vehicle is moved to a location with a clear view of the sky. This results from the PLGR initiating a search for all possible satellites if it can't lock on to those expected, for its current position, time, and almanac, within a reasonable time interval.
 - (4) If the PLGR doesn't have a current key, its data won't be acceptable for use by the PDFCS. However, assuming a clear view of the sky, it can be turned on to initialize position, time, and satellite almanac in about 20 minutes. Then when a valid key is loaded, the PLGR will be ready to go within three minutes.

NOTE

PMVS must be installed and connected prior to turning the vehicle MASTER power switch on.

Make sure TRAINING switch on PDU is OFF. Set POWER switch on PDU to ON. When power is first applied to the PDFCS, the display will be blank and the PDFCS will automatically perform its internal self-test (BIT). Next a screen will be displayed with this message "PDFCS OPERATING SYSTEM BOOT UP...PLEASE WAIT...", followed by an "INITIALIZATION IN PROGRESS..." screen.

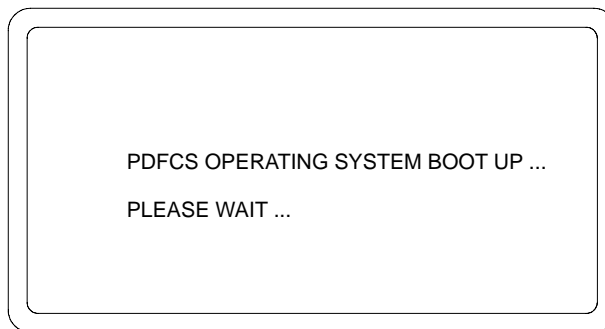
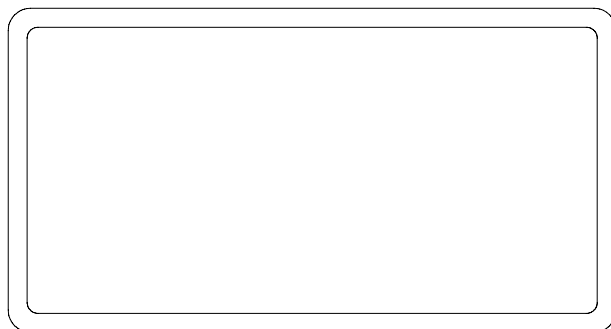
NOTE

- The time lapse between first three screens can range from 3 to 5 minutes.
- If screen stays blank for more than 7 minutes, power down system.

A "SYSTEM VERIFICATION FAILURE" screen may be displayed only if the SYSTEM VERIFICATION report indicates a failure.

2-15B PDFCS INITIALIZATION - CONTINUED

2-15B.3 Initialization After an Orderly Shutdown - Continued



06pc414mb

After the PDFCS powers up, the PLGR screen should read:

REMOTE CONTROL
Only ZEROIZE key
activated

At this point the PLGR key pad will become inactive. The only PLGR operation allowed using the key pad is EMERGENCY ZEROIZE.

If this message is not displayed on the PLGR screen, and the Low Priority Message "GPS OUT - PLGR DISCONNECTED" is not displayed on the PDU, ensure that the DRUH-PLGR Signal Connector (P4) plug on the W17A cable is connected and secure. Once this PLGR screen is displayed, proceed with system initialization.

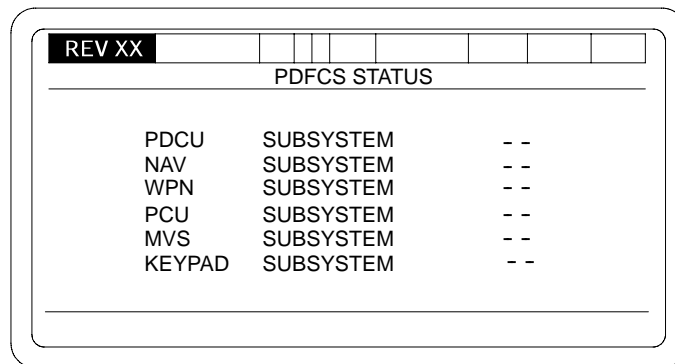
NOTE

- NAV SUBSYSTEM includes: VMS, DRUH, VMS Modems
- PCU-2 SUBSYSTEM includes: PCU-2 and both Back-Up Batteries
- The switches on the PCU-2 are circuit breakers. They should be left ON at all times, so they will not wear out from being turned off and on constantly.

2-15B PDFCS INITIALIZATION - CONTINUED

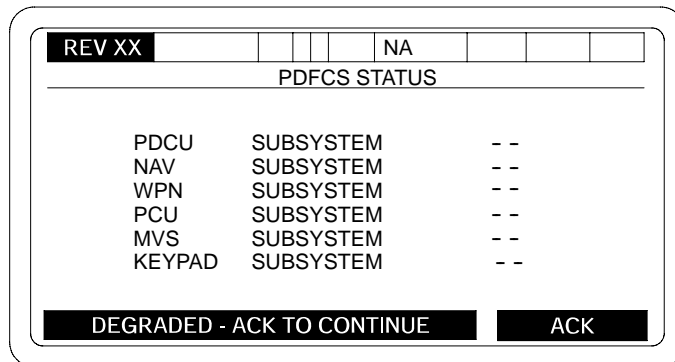
2-15B.3 Initialization After an Orderly Shutdown - Continued

- (5) This screen displays the subsystems that are checked by BIT. As the subsystems are checked, the dashed lines will change to a subsystem status (OK, DEGRADED, OUT, - -). The - - appears on the MVS status line when the PDFCS could not be connected to the MVS. This screen also identifies the system software version.



06pc071ma

In the event of a failure during POWER UP STATUS, the message, DEGRADED-ACK TO CONTINUE, will be displayed on the bottom line of the display. To continue, depress soft key under ACK. After the self-test is complete, SELECT OPERATIONAL MODE menu is displayed.



06pc074ma

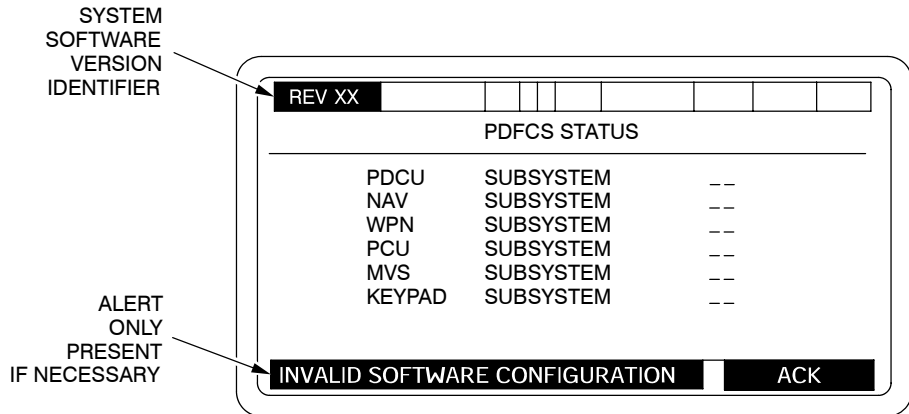
NOTE

If PCU-2 contains an incorrect configuration, the PDFCS will not allow the operator to select normal operations until a correct PDU software configuration is downloaded.

2-15B PDFCS INITIALIZATION - CONTINUED

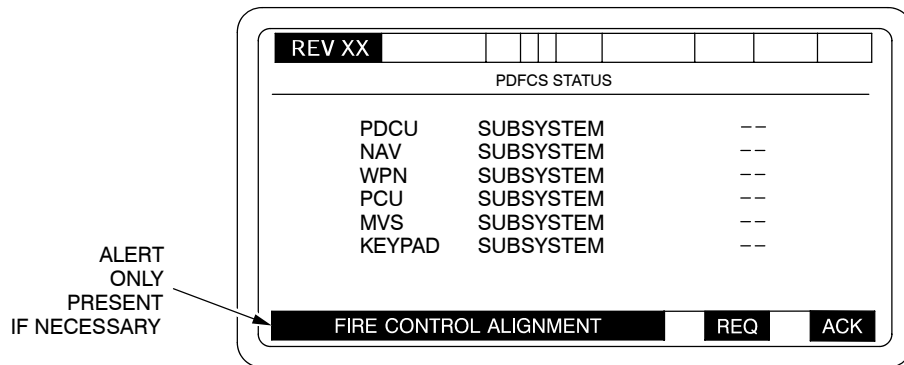
2-15B.3 Initialization After an Orderly Shutdown - Continued

When configuration verification checking indicates that an invalid howitzer software configuration is present, a short error message "INVALID SOFTWARE CONFIGURATION" "ACK" will appear on the soft key label line of the PDU.



06pc073md

*Discuss Boresight entry requirements during initial POWER-UP and PDU FAULT LAMPS



06pc073mc

When the message is acknowledged, the PDFCS will proceed to the "SELECT OPERATIONAL MODE" menu. To view detailed software configuration information for each LRU, MAINTENANCE should be selected, IAW procedure in para 3-5.1.

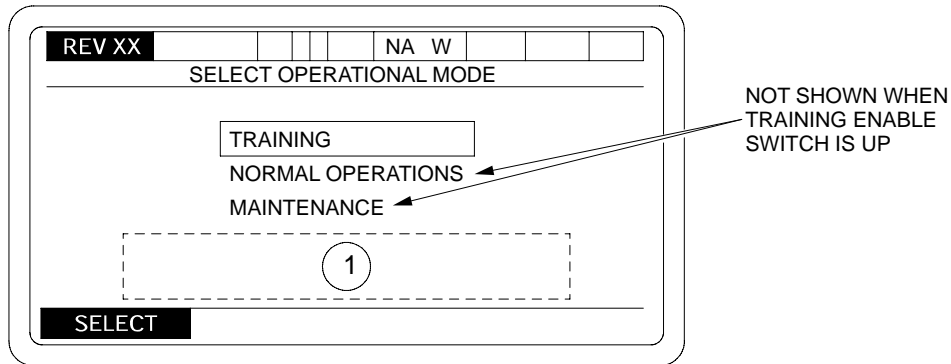
(6) Operational Mode Selection Menu.

This menu allows selection of the primary operating mode for the PDFCS.

The selection structure shows the prompting for Embedded Training selection. Note that the TRAINING selection and the associated prompting will not be available if the Embedded Training Controller fails power-up BIT.

2-15B PDFCS INITIALIZATION - CONTINUED

2-15B.3 Initialization After an Orderly Shutdown - Continued



06pc139m

- ① - WHEN TRAINING SWITCH IS UP:
 - POSITION TRAINING ENABLE SWITCH DOWN**
 - TO SELECT OTHER MODES**

- WHEN TRAINING SWITCH IS DOWN:
 - POSITION TRAINING ENABLE SWITCH UP**
 - TO SELECT TRAINING MODE**

b. Initialization. Select NORMAL OPERATIONS on the SELECT OPERATIONAL MODE menu and press SELECT soft key. A NET ACCESS menu will be displayed.

- (1) NET ACCESS - Check data on the NET ACCESS menu for correctness against current data from POC/BCS and press USE ALL. This will cause a NET ADDRESS menu to be displayed.

Using the NET ACCESS menu, check that data in the displayed menu shows same data that the unit SOP specifies.

NOTE

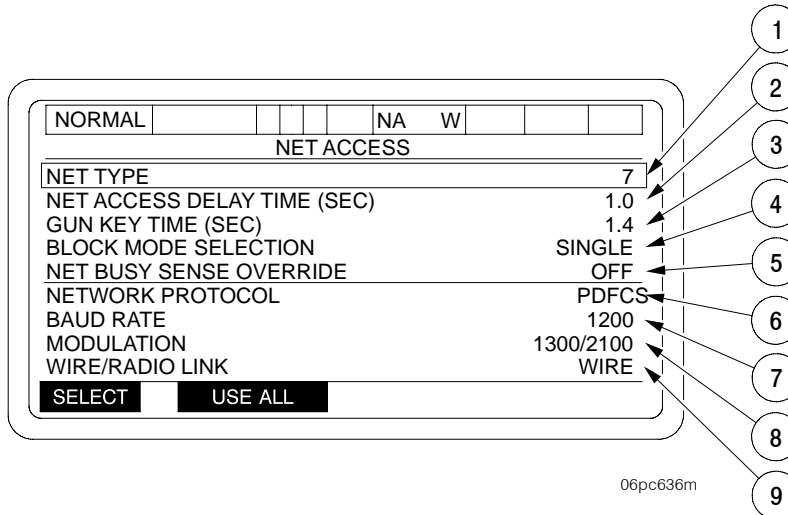
To ensure efficient set up of the digital net, it is very important that NET ACCESS and NET ADDRESS data be assigned and controlled by POC/BCS. Verify data per local SOP.

- (2) NET TYPE - To select the correct NET TYPE for NETWORK PROTOCOL see Table 2-2 for PDFCS NETWORK PROTOCOL entries 1 to 21, and Table 2-3 for 188-220A PROTOCOL entries 22 to 52.

2-15B PDFCS INITIALIZATION - CONTINUED

2-15B.3 Initialization After an Orderly Shutdown - Continued

When NETWORK PROTOCOL is PDFCS, the menu below will be displayed.



Entries for the NET ACCESS menu are listed below.

- 1 ENTER NET TYPE. NUMERIC FIELD, RANGE 1 . . 52 (Defined in para 2-15B.3(b)).
- 2 NUMERIC FIELD, RANGE .5 TO 49.5 SECONDS (See para 2-15B.3(a)).
- 3 WHEN SELECTED GUN KEY TIME MENU WILL BE DISPLAYED
- 4 (SINGLE, DOUBLE) ENTRY
- 5 (OFF, ON) ENTRY
- 6 PDFCS OR 188-220A BASED ON NET TYPE. NOT SELECTABLE
- 7 (300, 600, 1200, 2400, 4800, 8000, 16000, 32000) BASED ON NET TYPE. NOT SELECTABLE
- 8 (NRZ, CDP, 1200/2400, 1300/2100, 1575/2425) BASED ON NET TYPE. NOT SELECTABLE
- 9 (WIRE RADIO, RADIO/KY-57) BASED ON NET TYPE. NOT SELECTABLE
WHEN NET TYPE OR NET ACCESS DELAY TIME IS SELECTED (See para 2-15B.3(a) and (b)).

USE ALL

- The NET ADDRESS (PDFCS) menu will be displayed if NETWORK PROTOCOL is PDFCS

- The NET ADDRESS menu will be displayed if NETWORK PROTOCOL is 188-220A

(a) When NET ACCESS DELAY TIME (SEC) SELECTED, LINE is overwritten with, "TYPE TIME: .5 TO 49.5 SEC" - PRESS ENT -

(b) When NET TYPE SELECTED, LINE is overwritten with "TYPE NET TYPE: Entries from Tables 2-2 and 2-3" - PRESS ENT -

2-15B PDFCS INITIALIZATION - CONTINUED

2-15B.3 Initialization After an Orderly Shutdown - Continued

When NETWORK PROTOCOL is 188-220A, NET ADDRESS menu will be displayed.

NORMAL					NA	W			
NET ADDRESS									
					GUN PLTN/SECT				1/1
					BROADCAST	ADRS			A
					PHYSICAL	ADRS			B
1/1	2/1				PRIMARY BCS	ADRS			C
1/2	2/2				BACKUP BCS	ADRS			D
1/3	2/3				PALADIN URN				1234567
1/4	2/4				PRIMARY BCS	URN			11234567
					BACKUP BCS	URN			16777215
					CONTROLLING BCS				PRIMARY
SELECT					CANCEL				

06pc627ma

- (2) NET ADDRESS - Check data on the NET ADDRESS menu for correctness against current data from POC and press USE ALL if data is correct. If data is not correct see para 2-15B.2c. A SETUP AND INFORMATION menu will be displayed.
- (3) SET DATE/TIME - Select SET DATE/TIME on SETUP AND INFORMATION menu and press SELECT to display a SET DATE/TIME GROUP menu.

NORMAL					NA	W			
SETUP AND INFORMATION									
					* TOT RESPONSE				
					* LOAD ELEVATION				
* SET DATE/TIME					* SECTOR OF FIRE				
* BCS DATA XFER					RECEIVED MSG				
* ENTER MAP/DATUM					WARNING MSG				
* NAV UPDATE					MAX TUBE EL				
* AMMO INVENTORY					SITE DATA				
* PROP TEMP					SEND CHECKFIRE				
* MVV ROUNDS									
SELECT					NEXTPAGE				

06pc141m

2-15B PDFCS INITIALIZATION - CONTINUED

2-15B.3 Initialization After an Orderly Shutdown - Continued

NOTE

Use according to unit SOP.

If GPS data is available select "USE GPS".

PRESENT ONLY IF GPS IS AVAILABLE

CURSOR DEFAULT POSITION

06pc177t

NOTE

If GPS is not available or if POC has instructed you not to use GPS time, type in new DTG.

SELECT TIME ZONE - Enter SELECT TIME ZONE in accordance with unit SOP.

06pc178t

SELECT DAYLIGHT SAVINGS - Enter DAYLIGHT SAVINGS TIME in accordance with unit SOP.

06pc179t

2-15B PDFCS INITIALIZATION - CONTINUED

2-15B.3 Initialization After an Orderly Shutdown - Continued

The INITIALIZATION menu item will be automatically boxed and the operator will be prompted to press “YES” or “NO”. Pressing “YES” will cause a message to be sent to BCS requesting initialization data. If you know that BCS is not operational, pressing “NO” will clear the * from BCS DATA XFER on the SETUP AND INFORMATION menu.

NORMAL					NA	W		
BCS DATA TRANSFER								
SEND				GET				
PIECE STATUS								INITIALIZATION
AMMO ON HAND								MOVE ORDERS
AMMO RECEIVED								MUZZLE VELOCITY
AMMO EXPENDED								PIECE STATUS
SITE DATA								SITE DATA
MUZZLE VELOCITY								AMMO STATUS
SELECT				CANCEL				

06pc143m

- (5) ENTER MAP/DATUM - The BCS DATA XFER, INITIALIZATION data includes a MAP MOD and SPHEROID, but does not transfer the necessary map DATUM. To input the correct DATUM, box in the “ENTER MAP/DATUM” and press the SELECT key. This brings up the MAP/DATUM entry menu.

NORMAL					NA	W		
MAP/DATUM ENTRY								
SPHEROID					HEMISPHERE			NORTH
DATUM					GRID ZONE			
SW EASTING					NE EASTING			
SW NORTHING					NE NORTHING			
GPS OFFSET		X		Y		Z		
SPHEROID MAJ		MAX				MIN		
<input style="width: 100%; height: 20px;" type="text"/>								
SELECT			USE ALL			CANCEL		

06pc181ta

Check to see that all the data is correct. If it is correct, press the USE ALL key, and proceed with the initialization. If an entry is not correct, select that field and make corrections.

When SPHEROID is selected:

SPHEROID selected will define DATUMs available.

Type 1-5, 8-14:

Press ENT key.

When SW EASTING is selected:

EASTING value of SW Corner of Howitzer Operational Area.

Type 0 to 999999:

Press ENT key.

2-15B PDFCS INITIALIZATION - CONTINUED

2-15B.3 Initialization After an Orderly Shutdown - Continued

When SW NORTHING is selected:

NORTHING value of SW Corner of Howitzer Operational Area.

Type 0 to 11000000:

Press ENT key.

When HEMISPHERE is selected:

Select NORTH for above the Equator, SOUTH for below.

CHANGE HEMISPHERE YES NO

Press YES or NO key.

When GRID ZONE is selected:

UTM GRID ZONE of Howitzer Operational Area.

Type 0 to 60:

Press ENT key.

When NE EASTING is selected:

EASTING value of NE Corner of Howitzer Operational Area.

Type 0 to 999999:

Press ENT key.

When NE NORTHING is selected:

NORTHING value of NE Corner of Howitzer Operational Area.

Type 1 to 11000000:

Press ENT key.

When DATUM is selected, SELECT DATUM menu is displayed:

06pc112m

Box in the correct DATUM and press the SELECT key. The DATUMs available are dependent on the SPHEROID selected. See Table Appendix J PDFCS/BCS DATUM AND SPHEROID for SPHEROID/DATUM combinations.

2-15B PDFCS INITIALIZATION - CONTINUED

2-15B.3 Initialization After an Orderly Shutdown - Continued

NOTE

The reference frame for UTM position coordinates is a DATUM. Typically, a Local DATUM is defined by an ellipsoidal earth model (SPHEROID) and a starting point (origin) for the coordinate system. Coordinates on a map or in a Trig list (SCPs) often are on a Local DATUM. An example of a Local DATUM is the North American 1927 (NAD 27) DATUM used in the United States. There have been many different Local DATUMs developed. GPS computes position on the World Geodetic System 1984 (WGS 84), a worldwide coordinate system. To use GPS with coordinates on a Local DATUM, the coordinates must be mathematically shifted. The PDFCS (DRUH and PLGR) can automatically perform DATUM shifting, but first the operator must select the Local DATUM to be used, or provide the appropriate shift parameters. For PDFCS operation, Local DATUMs are represented by two sets of parameters: The Local Ellipsoid (SPHEROID) and shift parameters as defined for each Local DATUM (DATUM IDs). The BCS can provide the SPHEROID via the MAP MOD. But the BCS can not provide the Local DATUM. Therefore the operator must enter it. The SPHEROID selected will determine which DATUM IDs will be available for selection. The PDFCS/BCS SPHEROID and DATUM TABLE provides the SPHEROID number for the PDFCS and BCS, which DATUM IDs that are available for that SPHEROID number and the normal coverage area. Note that there may be more than one DATUM ID associated with a Local DATUM because the shifts vary by locality. For other DATUMs or areas outside the indicated coverage area, User Defined (USDDEF) Datum shifts may be entered manually. The table is not intended as an absolute. A map sheet will identify the DATUM name, Ellipsoid (SPHEROID) name and the coordinate type, or the map sheet will identify the area. The data from a Trig list should identify the same information. These parameters must be correlated to the DATUM ID. If the applicable DATUM ID hasn't been programmed in the PDFCS, shift parameters for many other DATUMs and regions have been published in DMA TR 8350.2 and may be entered thru the GPS X, Y and Z offsets. Note that the PDFCS can not accept shift parameters for all Datums because its SPHEROID capability is limited to those listed in the PDFCS.BCS Table (Appx J).

2-15B PDFCS INITIALIZATION - CONTINUED

2-15B.3 Initialization After an Orderly Shutdown - Continued

If the DATUM USR DEF is selected, then the GPS X, Y and Z offsets must be entered. These values must be obtained from the POC and should only be used with guidance from Battery Commander. The ENTER USER DATUM PARAMETERS page should look like:

NORMAL								
NAVIGATION SUBSYSTEM UPDATE								
EASTING	500000							
NORTHING	100							GET CURR NAV POSN
ALTITUDE	0							
GRID ZONE	1							GET LAST ENT POSN
HEMISPHERE	NORTH							GET CURR GPS POSN
SPHEROID	2							NAV POSITION UPDT
DATUM	USRDEF							
SELECT			USE ALL			CANCEL		

06pc144m

When GPS OFFSET is selected:

Type -2000.0 TO +2000.0:
Press ENT key.

When GPS OFFSET Y is selected:

Type -2000.0 TO +2000.0:
Press ENT key.

When GPS OFFSET Z is selected:

Type -2000.0 TO +2000.0:
Press ENT key.

After all the correct data has been entered, press the USE ALL key to clear and return to the main menu.

- (6) NAVIGATION UPDATE - Select NAV UPDATE and press SELECT soft key to display a NAVIGATION SUBSYSTEM UPDATE menu.

NOTE

- If vehicle has not been moved since orderly shutdown, the Navigation Subsystem will initiate a Stored Heading Align, which will be completed in about 90 seconds.
- If vehicle has been moved since orderly shutdown, move vehicle to a survey point and enter survey data.

2-15B PDFCS INITIALIZATION - CONTINUED

2-15B.3 Initialization After an Orderly Shutdown - Continued

Check data for correctness. If correct, press USE ALL soft key. The prompt, NAV POSITION UPDATE TO START, ARE YOU SURE (YES OR NO), will be displayed. Make proper selection. Press the YES key to RESTART the Navigation Subsystem and display the SETUP AND INFORMATION menu.

Press the NO key to redisplay Navigation Subsystem Update menu. Make corrections or press CANCEL to display SET UP AND INFORMATION menu.

NORMAL									
NAVIGATION SUBSYSTEM UPDATE									
EASTING	500000								
NORTHING	100							GET CURR NAV POSN	
ALTITUDE	0								
GRID ZONE	1							GET LAST ENT POSN	
HEMISPHERE	NORTH							GET CURR GPS POSN	
SPHEROID	2							NAV POSITION UPDT	
DATUM	USRDEF								
SELECT		USE ALL			CANCEL				

06pc144m

- (7) AMMO INVENTORY - Select AMMO INVENTORY on the SETUP AND INFORMATION menu. Press SELECT soft key to display INVENTORY MANAGEMENT menu.

NORMAL									
INVENTORY MANAGEMENT									
- INVENTORY UPDATE REQUIRED -									
UPDATE SHELL INVENTORY									
UPDATE PROP INVENTORY									
UPDATE FUZE INVENTORY									
PRESS FINISHED TO INDICATE INVENTORY UPDATE COMPLETE									
SELECT		FINISHED			CANCEL				

MESSAGE ONLY APPEARS
IF FIRE MISSION
RECEIVED BEFORE
OPERATOR VERIFIED
AMMO FROM PREVIOUS
MISSION

06pc145m

NOTE

If a fire mission is activated while in any of the ammunition inventory sub-menus, all valid complete entries shall be saved.

If the ammunition inventory is current, press FINISHED soft key to display the SETUP AND INFORMATION menu. If ammunition inventory is not current, to enter ammunition data, refer to para 2-15B.2.

2-15B PDFCS INITIALIZATION - CONTINUED

2-15B.3 Initialization After an Orderly Shutdown - Continued

- (8) PROPELLANT TEMPERATURE - Select PROP TEMP on SETUP AND INFORMATION menu. Press SELECT key to display a PROPELLANT TEMPERATURE menu.

06pc146m

- ① TIME TO GO XX:XX (HOURS:MINUTES) OR TIME EXCEEDED
- ② WHEN TEMPERATURE SELECTED
TYPE TEMPERATURE IN FAHRENHEIT
DEGREES -60 TO +145
- PRESS ENT KEY -
WHEN UPDATE ALERT TIME SELECTED
TYPE UPDATE TIME IN 0.5 HOUR
INCREMENTS 0.5 TO 2.0
- PRESS ENT KEY -
- ③ BLANK - WHEN TEMPERATURE OR UPDATE ALERT TIME SELECTED
SELECT - WHEN ITEM IS NOT SELECTED
- ④ USE ALL - WHEN NO ITEM IS SELECTED
+/- WHEN TEMPERATURE IS SELECTED
BLANK - WHEN UPDATE ALERT TIME IS SELECTED

- (9) MUZZLE VELOCITY VARIANCE (MVV) - To set the MINIMUM number of rounds that will be used in calculating muzzle velocity variances, select the MVV ROUNDS from the SETUP AND INFORMATION screen.

- NOTE: 1. The entry field will display the current MVV rounds selected and will default to 4 on systems initialization.
2. To use the MVV, you must have an extended lot code in the PDFCS inventory.

06pc610m

2-15B PDFCS INITIALIZATION - CONTINUED

2-15B.3 Initialization After an Orderly Shutdown - Continued

If displayed temperature and update alert time are correct, press USE ALL key. If another temperature or alert time entry is necessary, box the desired item and press SELECT key. Type in new temperature or alert time and press ENT key. When entries are correct, press USE ALL key. The SETUP AND INFORMATION menu will be displayed.

- (10) TOT RESPONSE - To access the TOT RESPONSE menu, press NEXT PAGE key to display next page of SETUP AND INFORMATION menu.

Select TOT RESPONSE and press SELECT to display a TOT RESPONSE menu.

Type in desired time to be used and press ENT key. The SETUP AND INFORMATION menu will be displayed.

06pc135m

- (11) Select LOAD ELEVATION on the SETUP AND INFORMATION menu. Press SELECT key to display a TUBE LOAD ELEVATION menu.

CAUTION

Do not enter an elevation greater than 300 mils. Settings above 300 mils may result in breech failing to close and could cause unnecessary wear on spring pack.

NUMERIC FIELD LOAD ELEVATION -200..1333 MILS DEFAULT TO CURRENT LOAD ELEVATION

hipc4047

If load elevation shown is the desired elevation, press ENT key. If a new elevation is desired, type in desired elevation and then press ENT key. The SETUP AND INFORMATION menu will be displayed.

2-15B PDFCS INITIALIZATION - CONTINUED

2-15B.4 Initialization After a Catastrophic Failure.

- a. If a catastrophic failure (e.g., sudden loss of power of PCU-2) occurs, it is possible that no data at all will be saved by the PDFCS. In this case, a step-by-step-system initialization must be done.

NOTE

- Position data must be recorded prior to pressing ARRIVED key during emplacement. If time permits the crew should also set out collimator or select a DAP and set 3200 Deflection on the PANTEL on Center of Sector (Base Azimuth).
 - To be able to react quickly to re-initialize a failed PDFCS, a Platoon SOP voice request procedure from crew to POC to send all required data messages from BCS may be helpful. Data that would be useful from BCS are: INITIALIZATION (Subscriber File, Map Mode, MET, Registration), MUZZLE VELOCITY, Current Position (to include Sector of Fire) and Propellant Temp (PIECE STATUS), SITE STATUS, and AMMO STATUS.
- b. Getting Data. To return to Section in Order as fast as possible after a catastrophic failure of the PDFCS, return the tube to travel lock before shutting PDFCS power off. Wait about 5 seconds, then turn PDFCS power on. Begin the Initialization process as normal, working off the * menu items on the SETUP AND INFORMATION menus. If BCS has current data, get as much data as you can from BCS. This data can be obtained as follows:
 - (1) Box BCS DATA XFER on the SETUP AND INFORMATION menu and press SELECT key. The INITIALIZATION item under the GET column will be boxed as usual. Press YES to transmit the request for INITIALIZATION data (Subscriber File, Map Mode, MET and Registration).
 - (2) Next, box MUZZLE VELOCITY under the GET column and press SELECT key. Press YES key to transmit the request to BCS.

NOTE

The PDFCS automatically uses the Muzzle Velocity data sent by BCS. No further action is necessary by the crew.

- (3) Repeat the last step for PIECE STATUS, SITE STATUS, and AMMO STATUS.
- (4) Once all requests have been sent, press CANCEL key to move to the next initialization step on the SETUP AND INFORMATION menu.

2-15B PDFCS INITIALIZATION - CONTINUED

2-15B.4 Initialization After a Catastrophic Failure - Continued

c. Nav Update.

- (1) Use your current position data that you recorded upon emplacement.
- (2) If POC has a current location where the failure occurred, use that data for navigation initialization. To use position data obtained from BCS in the step above, box NAV UPDATE on the SETUP AND INFORMATION menu, press SELECT key and a NAV SUBSYSTEM UPDATE menu will be displayed. Box GET BCS PRPT POSN and press SELECT key. Press USE ALL key, and PDFCS will use the BCS reported position data and return to the SETUP AND INFORMATION menu.
- (3) Another howitzer with an operational DRUH and PDFCS can pull into failed howitzer's position (left hub to left hub) and provide navigation data to be entered on the keyboard.

NOTE

If no BCS-provided Move Order is expected after PDFCS initialization, then the Sectors of Fire must be changed to those provided by the BCS prior to the failure. Sector of Fire entries must be completed prior to inputting a manual Move Order.

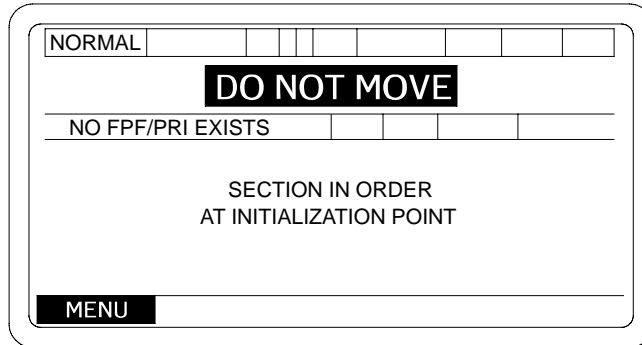
- (4) The failed howitzer can be taken to a surveyed point and navigation initialized from survey data.
- d. Ammo Inventory. To use ammunition inventory data obtained from BCS in the step above, box AMMO INVENTORY on the SETUP AND INFORMATION menu, press SELECT key and INVENTORY MANAGEMENT menu will be displayed. Box EDIT BCS PROVIDED and press SELECT key. When the FINISHED key is pressed the ammunition inventory shall be reviewed to insure each group of projectiles has at least one propellant and each group of propellants has at least one projectile. If a projectile is found without a propellant or a propellant without a projectile, PDFCS will display PROJECTILE/PROPELLANT MISMATCH menu. Pressing the CONTINUE Softkey on this menu will return operator to the INVENTORY MANAGEMENT menu, at which time the operator has to update SHELL/PROP inventory. On the next INVENTORY MANAGEMENT menu, press FINISHED to accept the BCS PROVIDED data. If you want to check the ammo inventory for accuracy, then box and select UPDATE SHELL, UPDATE PROP, and UPDATE FUZE one at a time (para 2-15B.2d(4) (e) (5)).
- e. Site Definition. To use Site data obtained from BCS in the step above, box SITE DATA on the SETUP AND INFORMATION menu, press SELECT key and SITE DEFINITION menu will be displayed. Box GET BCS SITE and press SELECT key (This option will only be available if the POC has sent an AFU mask to the PDFCS). Press USE ALL, and the BCS provided Site Data will be used by the PDFCS.

2-15C PDFCS TRAVEL MODE.

During the travel mode the navigation system provides a continuous position data display to the operator. The data displayed on the EL Panel will show UTM coordinates for both position and destination. Also included is a graphic display showing where the vehicle is traveling in relation to destination. After alignment, the PDFCS will automatically go into travel mode when the howitzer starts to move.

2-15C.1 Movement.

Once the howitzer has been initialized and the navigation system has had time to align, a CANCEL SOFTKEY will appear on the main menu. To view a SECTION IN ORDER AT INITIALIZATION POINT screen, press the CANCEL SOFTKEY



06pc148m

NOTE

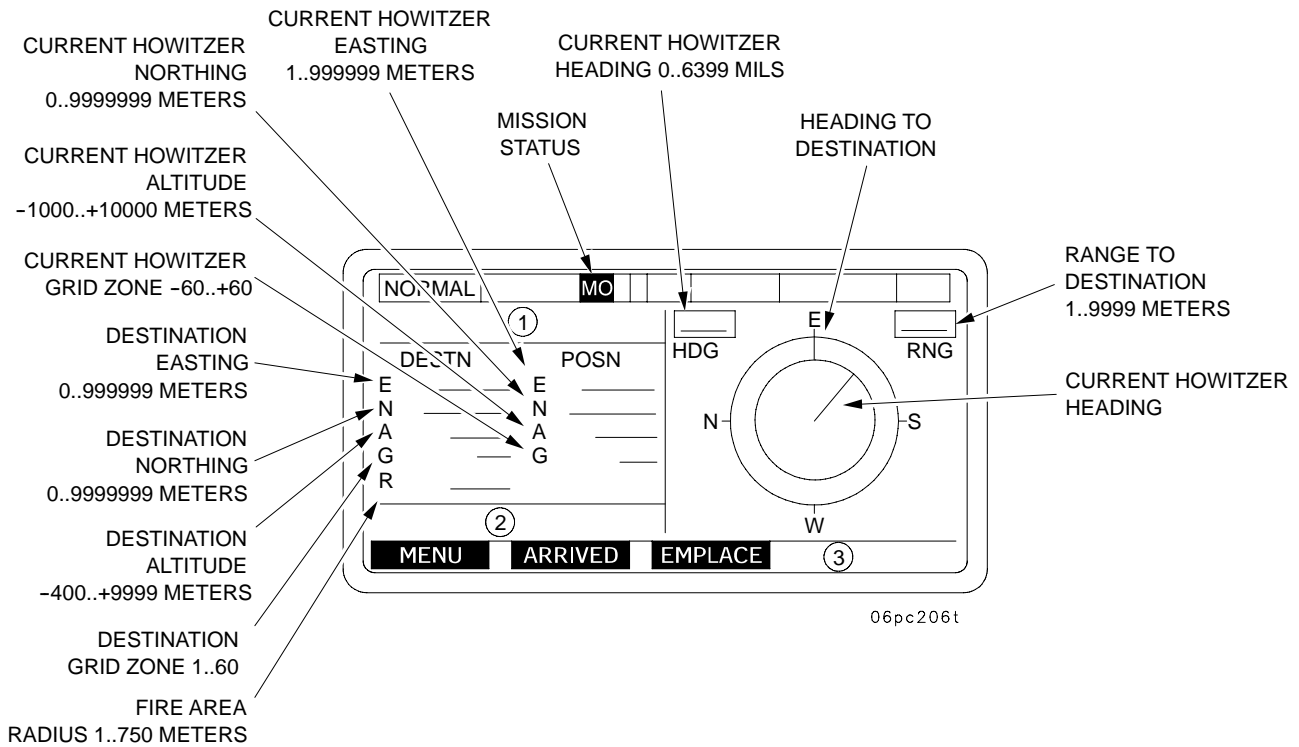
- DO NOT MOVE the howitzer until you see OK TO MOVE OR SHOOT, ACK message.
- You may then move the howitzer or accept fire missions, but you can expect ZUPT requests during moves if the ALN_ _ _S is still counting down.

2-15C.1.1 Move Order. Upon receipt of a Move Order, an audio alert will sound and an OPERATOR ALERT and a STEERTO/EMPLACEMENT screen will automatically appear if the system display was at a SECTION IN ORDER screen. If the SET UP AND INFORMATION screen is displayed a MOVE ORDER alert will appear in field 3 of the screen, and an OPERATOR ALERT, "MOVE MISSION", "ACK", will be displayed and the CANCEL soft key must be pressed to display the STEERTO/EMPLACEMENT screen. Once the vehicle has moved about 25 meters an audible and soft key alert "PRESS ACK WHEN TUBE STOWED, ACK" will be displayed. Acknowledge the tube is stowed and press "ACK" soft key.

2-15C PDFCS TRAVEL MODE - CONTINUED

2-15C.1 Movement - Continued

STEERTO display screens:



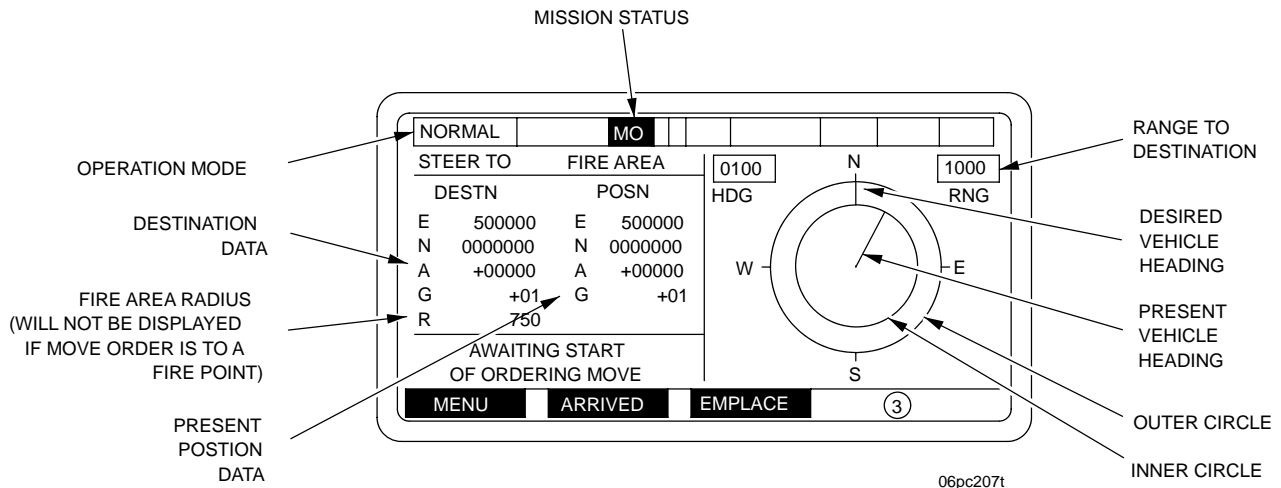
- ① "STEERTO FIRE AREA" - Destination is Fire Area
 "STEERTO INIT POINT" - Destination is Initialization point
 "STEERTO LOG POINT" - Destination is Logistics Point
 "STEERTO FIRE POINT" - Destination is Fire Point
- ② "ORDERED MOVE IN PROGRESS"
 "STOP MOVING AND WAIT"
 "MOVE IN PROGRESS"
 "NO AUTHORITY OR ORDERS TO MOVE"
 "AWAITING START OF ORDERED MOVE"
 "DO NOT START ORDERED MOVE"
- ③ "ZUPT REQUIRED"
 "NAV POS UPDATE REQUIRED"

2-15C PDFCS TRAVEL MODE - CONTINUED

2-15C.1 Movement - Continued

The STEER TO FIRE AREA screen contains the following:

- a. MO - Describes Move Order status.
- b. DESTN - Indicates destination coordinates: (E) Easting, (N) Northing, (A) Altitude, (G) Grid Zone, (R) Radius of operating area,
- c. POSN - Indicates present howitzer position: (E) Easting, (N) Northing, (A) Altitude, (G) Grid Zone.
- d. HDG - Howitzer's numerical heading in Mills (Azimuth).
- e. RNG - Range to destination in radial distance.
- f. Graphic Display - N, E, S, W on outer circle, indicates North, East, South and West and rotates like a compass. The line running from the center of display to edge of the inner circle indicates present vehicle heading. The line between the inner and outer circle indicates the desired heading. When these two lines are aligned, the vehicle is traveling toward destination.



2-15C PDFCS TRAVEL MODE - CONTINUED

2-15C.1 Movement - Continued

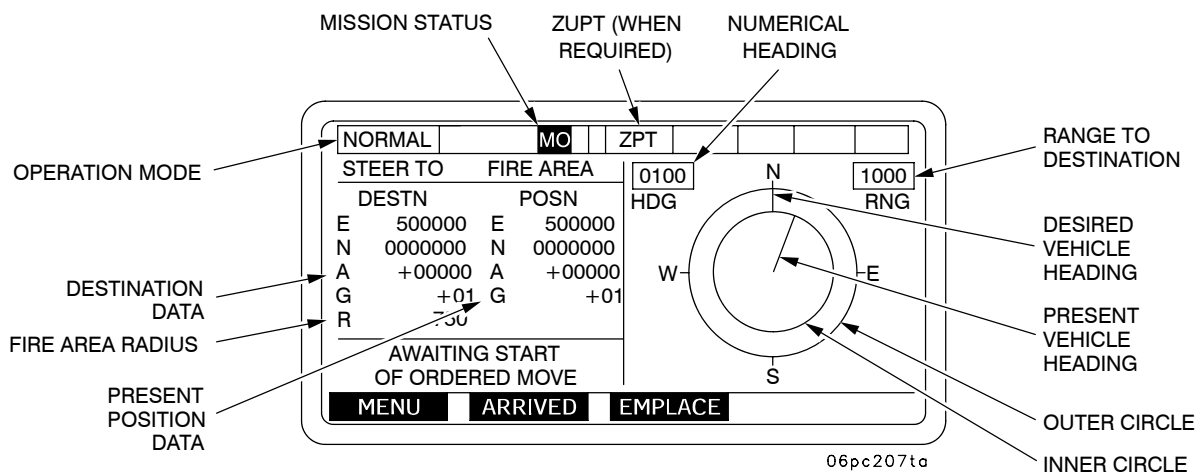
2-15C.1.2 Moving. During movement of the howitzer, the STEER TO FIRE AREA screen will assist the operator in locating his destination. While the howitzer is on the move, the following will occur:

- The graphic portion of the display will indicate the howitzer's movement by the outer circle of the display moving according to the vehicle heading. The line from center of the display to the inner circle will move as the howitzer changes directions.
- The alphanumeric portion of the display under POSN will provide the operator with his current position constantly. The display above HDG will change as the howitzer changes headings and the display above RNG will change to indicate whether the movement is away from destination (increase) or toward destination (decrease).
- Navigation system update may occur (zero velocity update) to maintain location accuracy.

2-15C.1.3 Zero Velocity Updates. "Periodic Zero Velocity Updates (ZUPT) may be required if the VMS fails or is out, and the GPS is not valid. ZUPTs are required to increase the accuracy of the Navigation Subsystem. To insure proper Navigation Subsystem Operation and to maintain system performance accuracies, ALL Requested ZUPTs must be honored." When an update is required, the PDFCS will notify the operator with an audible alert and "ZPT" will appear in Field 6 and a soft key alert "ZUPT REQUIRED", "ACK". To accomplish a ZUPT, perform the following steps:

- Stop the vehicle as soon as possible after the alert (the less time traveled between each ZUPT, the better the system accuracy).
- Press ACK key to acknowledge operator alert.
- Remain stopped until ZUPT is complete. ZUPT is done automatically during this period.

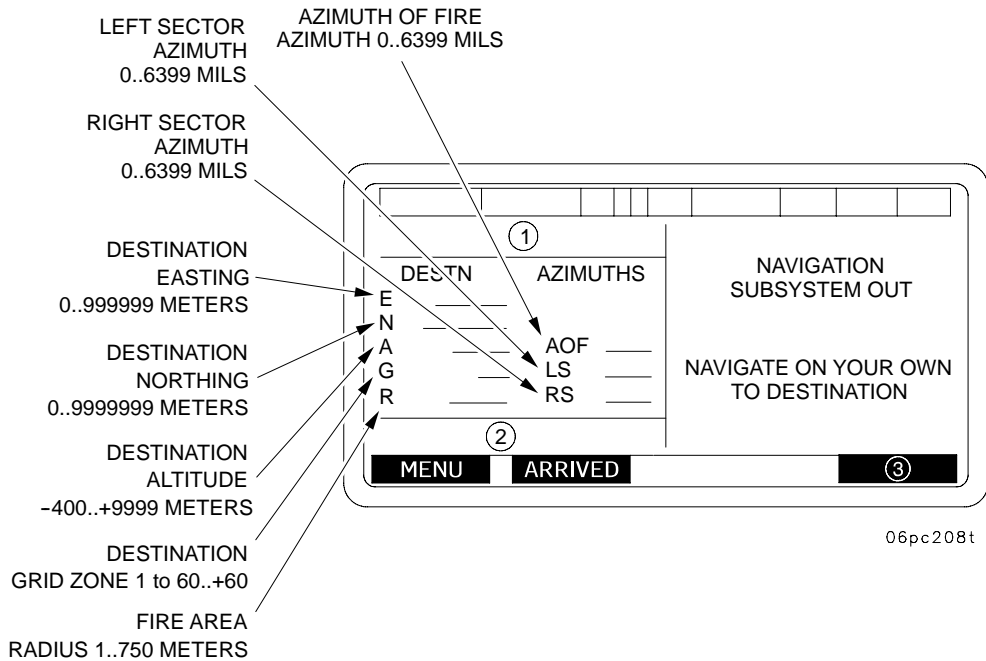
When the ZUPT is complete, another operator alert will be displayed, "ZUPT NO LONGER REQUIRED", "ACK". "ZPT" is no longer displayed in status line. Press ACK key, then vehicle movement can be continued.



2-15C PDFCS TRAVEL MODE - CONTINUED

2-15C.1 Movement - Continued

2-15C.1.4 Moving with Navigation System Degraded. If a navigation system failure occurs while the howitzer is moving, the operator will be alerted visually with a NAVIGATE ON YOUR OWN TO DESTINATION display. The chief of section must use established navigation procedures to reach the destination shown. If only the PLGR is operational there will be no HDG information on the display.



06pc208t

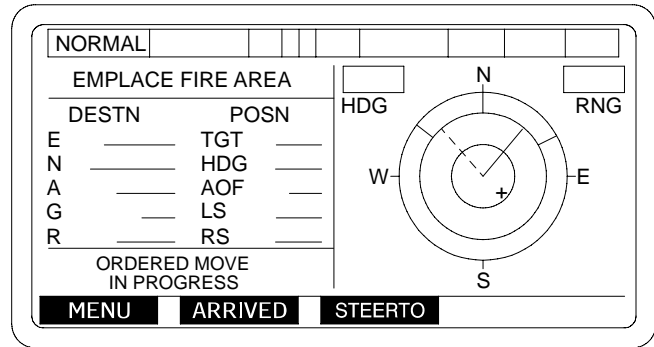
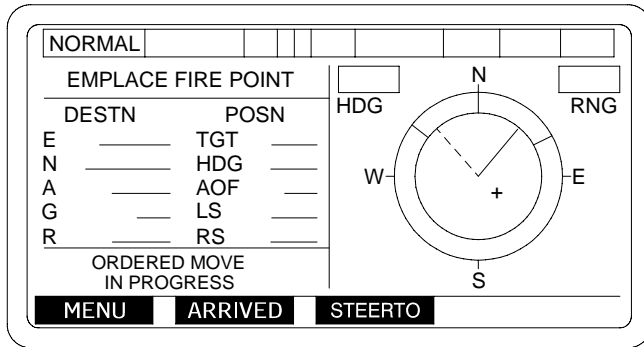
- ① "DEGRADED FIRE AREA" - Destination Is Fire Area
 "DEGRADED INIT POINT" - Destination Is Initialization Point
 "DEGRADED LOG POINT" - Destination Is Logistics Point
 "DEGRADED FIRE POINT" - Destination Is Fire Point
- ② "ORDERED MOVE IN PROGRESS"
 "STOP MOVING AND WAIT"
 "MOVE IN PROGRESS"
 "NO AUTHORITY OR ORDERS TO MOVE"
 "AWAITING START OF ORDERED MOVE"
 "DO NOT START ORDERED MOVE"
- ③ "MOVING" soft key only appears when the Navigation System is DEGRADED. Press "MOVING" soft key after vehicle starts moving. Press "ARRIVED" key when vehicle has arrived at destination.

2-15C PDFCS TRAVEL MODE - CONTINUED

2-15C.2 Emplacement Fire Point/Fire Area.

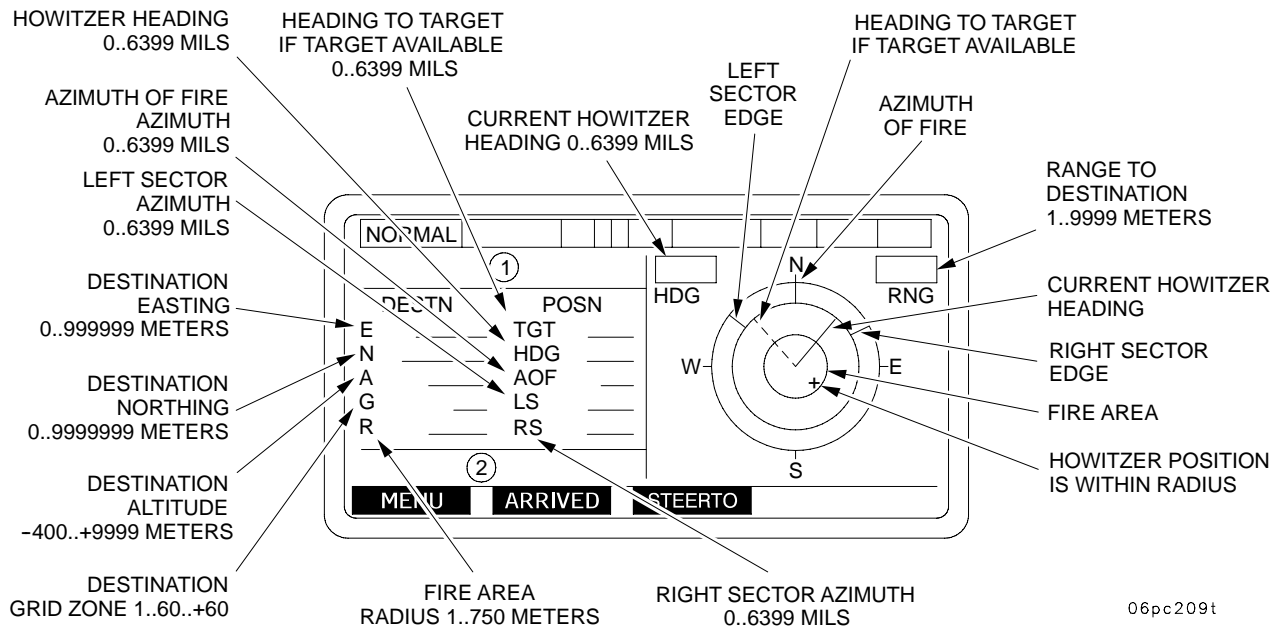
When the howitzer enters the radius the PDFCS will display the Emplacement at a FIRING AREA/POINT screen depending on type of MOVE ORDER received.

The EMPLACE FIRE POINT screen is also used for DESTINATION TYPES, INITIALIZATION POINT and LOGISTICS POINT emplacement.



06pc209ta

EMPLACE FIRE AREA Screen - The data on the EMPLACE FIRE AREA screen is the same as the STEER TO FIRE AREA screen with the following exceptions:



06pc209t

- ① "EMPLACE FIRE AREA" - Destination Is Fire Area
- "EMPLACE INIT POINT" - Destination Is Initialization Point
- "EMPLACE LOG POINT" - Destination Is Logistics Point
- "EMPLACE FIRE POINT" - Destination Is Fire Point
- ② "ORDERED MOVE IN PROGRESS"
- "STOP MOVING AND WAIT"

2-15C PDFCS TRAVEL MODE - CONTINUED

2-15C.2 Emplacement Fire Point/Fire Area - Continued

- a. Plus Sign - Represents the vehicle. When the vehicle is within the allowable move area assigned by the Platoon Operation Center (POC), the "+" will appear on the display. As the vehicle moves, the plus sign will also move, indicating direction of travel.
- b. Inner Circle - Represents the Allowable Movement Area and will vary in size. This is determined by the radius of the Fire Area and is assigned by POC with a Move Order. This circle is an Emplacement Aid.

NOTE

- If EMPLACEMENT screen was accessed prior to arriving at next firing area the EMPLACEMENT screen may not display automatically.
 - Once the vehicle is within the inner circle (shown by the + sign) the CHIEF OF SECTION may choose his emplacement position to take advantage of terrain features.
- c. The line running from middle circle to outer circle between N and E represents Right Sector of Fire and the line between N and W represents Left Sector of Fire. The line under N represents Azimuth of Fire. The sector of fire is assigned by POC with the Move Order.
 - d. Solid Line - Represents the current heading. It extends from the center of the smallest circle to the edge of the middle circle. When this line is aligned with the line under the "N," the vehicle is travelling toward the ordered destination.
 - e. Dotted Line - Represents the gun-target line to a Final Protective Fire (FPF) target (if stored on PDFCS) and is designated by the POC.
 - f. Destination - Represented by the intersection of the solid line and the dotted line at the center of the smallest circle.
 - g. Azimuths - Display of azimuths in Mils to TGT (FPF target if one exists), HDG (present howitzer heading), AOF (Azimuth of Fire), LS (Left Sector of Fire), RS (Right Sector of Fire).

2-15C PDFCS TRAVEL MODE - CONTINUED

2-15C.2 Emplacement Fire Point/Fire Area - Continued

2-15C.2.1 Emplacing. Once the plus sign is within the designated firing area the howitzer has reached its destination. The howitzer is then maneuvered until vehicle heading (solid line from the center of the smallest circle to the edge of the middle circle) is aligned as closely as possible with the Azimuth of Fire Line (center solid line between the middle and outer circle). When these lines are aligned, the howitzer is roughly laid on the Azimuth of LAY.

NOTE

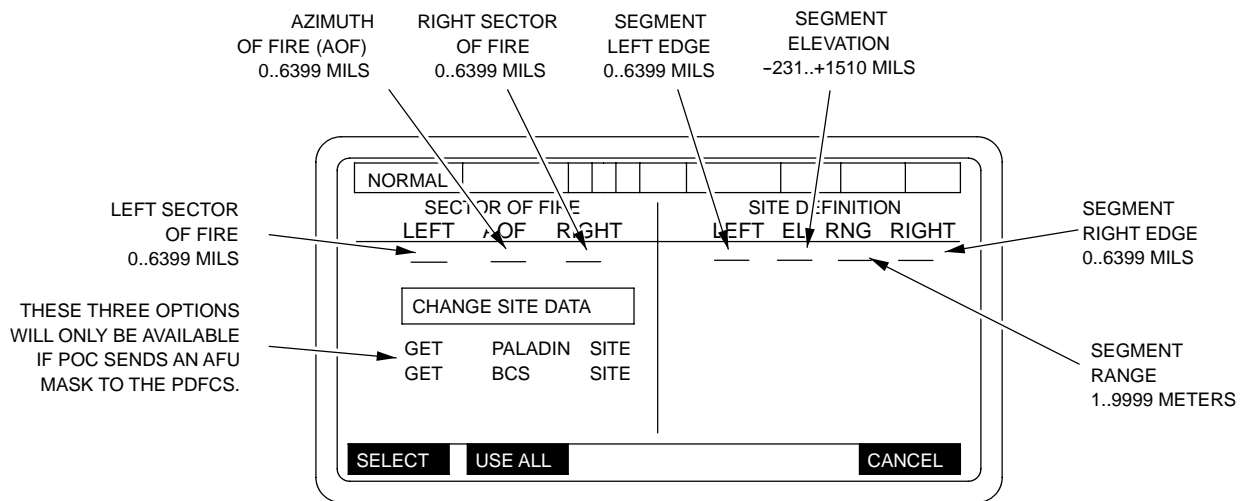
- DRUH position data improves approximately 30 seconds after the howitzer is stopped. The chief of section has the option of awaiting this time and then pressing the ARRIVED soft key to achieve optimum positioning data. However, this option should not be considered during an emergency fire mission (EMERGENCY MISSION).
- Before pressing ARRIVED key you must record your position data and Azimuth of Fire (Base Azimuth) in case the PDFCS fails.
- If cab-side VMS modem is disconnected and position data is not available from the PLGR, the DRUH position data will degrade even though the howitzer is not moving. This data may degrade to the point where the navigation subsystem will be declared out.
- The soft key under ARRIVED on the MOVE ORDER screen must be pressed before the gun tube is unstowed from travel lock. This action establishes the TUBE STOW (travel lock) position. Pressing the STOW key will move the tube back to this azimuth.
- If EMPLACEMENT screen was accessed prior to arriving at next firing area the EMPLACEMENT screen may not display automatically.
- Once the vehicle is within the inner circle (shown by the + sign) the CHIEF OF SECTION may choose his emplacement position to take advantage of terrain features.

2-15C PDFCS TRAVEL MODE - CONTINUED

2-15C.2 Emplacement Fire Point/Fire Area - Continued

- When emplacing the howitzer, the Azimuth of Fire (Azimuth of LAY) from the Move Order is the azimuth the PDFCS holds as the “Base Azimuth” (the 3200 deflection reference position). This is the azimuth used by the PDFCS to compute ballistic data, and is also sent to the BCS in the PIECE STATUS (HOW: UPDATE) message for ballistic computations at the BCS.
- When emplacing at a FIRING POINT the howitzer range must be 50 meters or less. (Optimum 10 meters or less.)

Press the ARRIVED soft key on the EMLACE FIRE AREA or Fire Point Site Definition screen to display a SITE DEFINITION screen. Take the tube out of travel lock.



06pc210ta

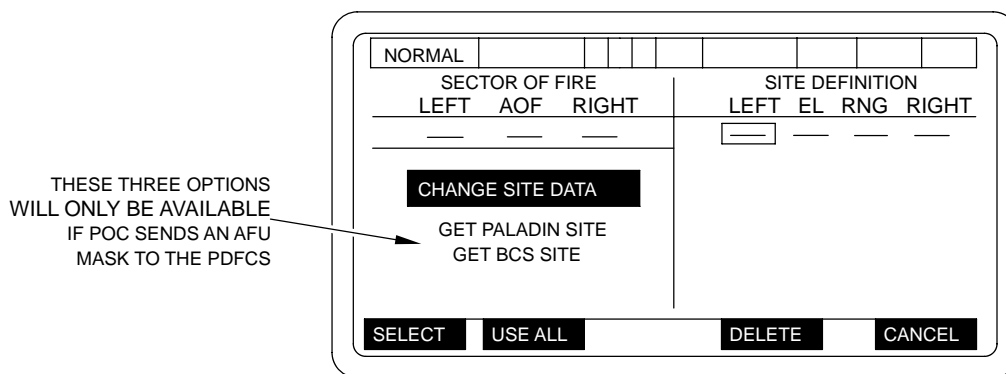
AUTOMATIC SELECTION, “BOXING” will occur starting from field LEFT and then continuing from LEFT to RIGHT, to field EL RNG and RIGHT, after each previous entry has been ENTERED.

2-15C PDFCS TRAVEL MODE - CONTINUED

2-15C.2 Emplacement Fire Point/Fire Area - Continued

2.15C.2.3 SITE DATA. Identifies left and right limits, range and elevation in mils, and is used to ensure that all rounds clear crests within the howitzer's SECTOR OF FIRE. Up to eight sets of site definition data can be entered. Site definition data is determined using the same procedures as SITE TO CREST (sighting through the cannon tube). This data is entered using the SITE DEFINITION screen as follows:

- Obtain SECTOR OF FIRE data from POC. Normally Azimuth of Fire, Left and Right Sector limits will be provided by the POC in the Move Order and will be displayed automatically on the SITE DEFINITION menu on the left side of the screen under LEFT AOF RIGHT headings.
- Press the DELETE key to remove SITE DATA from previous occupation. Box in limit under column to be changed and press the SELECT key.



06pc158mb

- One Line SITE DATA (For Initial Occupation). Pressing the ARRIVED key, the COS must obtain One Line SITE DATA. After removing the gun tube from the travel lock, the COS brings the cursor box to the left limit and presses SELECT, then traverses the gun tube to the left while monitoring the Azimuth readout until he reaches at least one mil beyond the Left limit, then presses ENTER. While the GUNNER sights through the gun tube, the COS elevates or depresses the gun tube to obtain immediate crest. COS brings the cursor box to the Right limit and presses SELECT, then COS traverses the gun tube to the Right limit while the GUNNER sights through the gun tube. COS elevates gun tube upon the COMMAND "Elevate" from the GUNNER when the GUNNER needs to clear an obstruction until the COS reaches the Right limit while monitoring the Azimuth readout, then presses ENTER. Before moving the gun tube, COS then cursors to the entry under EL, presses SELECT and ENT to obtain elevation to immediate Crest. COS then cursors to entry under Range, presses SELECT and ENT and inputs RANGE TO CREST from the numeric PDFCS keypad and presses ENT. Upon completion of One Line SITE DATA the COS then presses USE ALL to input MIN QE.

2-15C PDFCS TRAVEL MODE - CONTINUED

2-15C.2 Emplacement Fire Point/Fire Area - Continued

NORMAL									
SECTOR OF FIRE					SITE DEFINITION				
LEFT	AOF	RIGHT			LEFT	EL	RNG	RIGHT	
—	—	—			—	—	—	—	
TYPE MINIMUM FIRING QE IN MILS -231 TO 1510 -PRESS ENTER KEY-									
1333									
+/-									

06pc215t

Pressing the ENTER key will display SECTION IN ORDER menu. During NORMAL OPERATIONS the last value entered shall be displayed.

- d. MINIMUM QUADRANT ENTRY. Upon completion of One Line SITE DATA, press USE ALL and a display will appear in the left side of the SITE DEFINITION screen. Enter the MIN QE obtained from the POC for the current position. Upon voice verification of the MIN QE with the POC, press the ENT key. This will display the SECTION IN ORDER at FIRING AREA/POINT screen.
- e. Send piece status to POC.

NOTE

COS will obtain MAX QE and send updated piece status to POC (see para 2-15E.5.7.2.1).

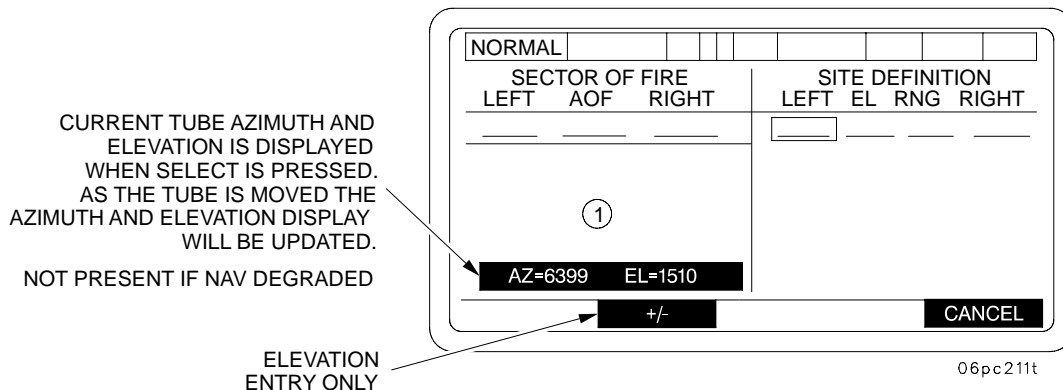
2.15C.2.3.1 SITE DEFINITION screen display. With the GUNNER sighting through the tube, the COS elevates or depresses the gun tube to obtain immediate Crest. COS traverses right while the GUNNER looks through the gun tube. When an obstruction appears, data for the Left limit SITE DEFINITION can be entered by pressing the ENT key. The SITE DEFINITION screen with Left Azimuth will be displayed. Perform steps d and e to establish 6400 mils SITE DEFINITION.

NOTE

This procedure is conducted as part of Position Improvement.

2-15C PDFCS TRAVEL MODE - CONTINUED

2-15C.2 Emplacement Fire Point/Fire Area - Continued

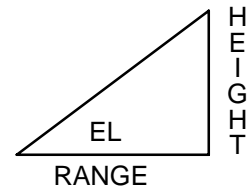


1 THE FOLLOWING PROMPTS ARE DISPLAYED DEPENDING ON WHICH FIELD IS SELECTED:

<p>WHEN "LEFT" IS SELECTED MOVE TUBE OR TYPE LEFT EDGE OF SITE IN MILS: 0000 TO 6399 -PRESS ENT KEY-</p>	<p>WHEN "EL" IS SELECTED MOVE TUBE OR TYPE ELEVATION OF SITE IN MILS: -231 TO 1510 -PRESS ENT KEY-</p>
<p>WHEN "RNG" IS SELECTED TYPE RANGE TO SITE IN METERS: 0001 TO 9999 -PRESS ENT KEY-</p>	<p>WHEN "RIGHT" IS SELECTED MOVE TUBE OR TYPE RIGHT EDGE OF SITE IN MILS: 0000 TO 6399 -PRESS ENT KEY-</p>

NOTE: MASK HEIGHT CANNOT EXCEED 10,000 METERS, THEREFORE:

- (A) UPPER LIMIT ON RANGE WILL CHANGE DEPENDING ON CURRENT MASK ELEVATION
- (B) UPPER LIMIT ON ELEVATION WILL CHANGE DEPENDING ON CURRENT MASK RANGE



NOTE: WHEN CURRENT TUBE POSITION IS USED TO SET MASK ELEVATION:
 IF THE RANGE FIELD CONTAINS AN ENTRY WHICH RESULTS IN A MASK EXCEEDING 10,000 METERS, THE RANGE FIELD WILL BE RESET TO THE MAXIMUM ALLOWED VALUE AND THE FOLLOWING MESSAGE WILL BE DISPLAYED: **"WARNING - RANGE SET TO MAXIMUM", "ACK"**

AUTOMATIC SELECTION, "BOXING" will occur starting from field LEFT and then continuing from LEFT to RIGHT, to field EL, RNG, and RIGHT, after each previous entry has been ENTERED.

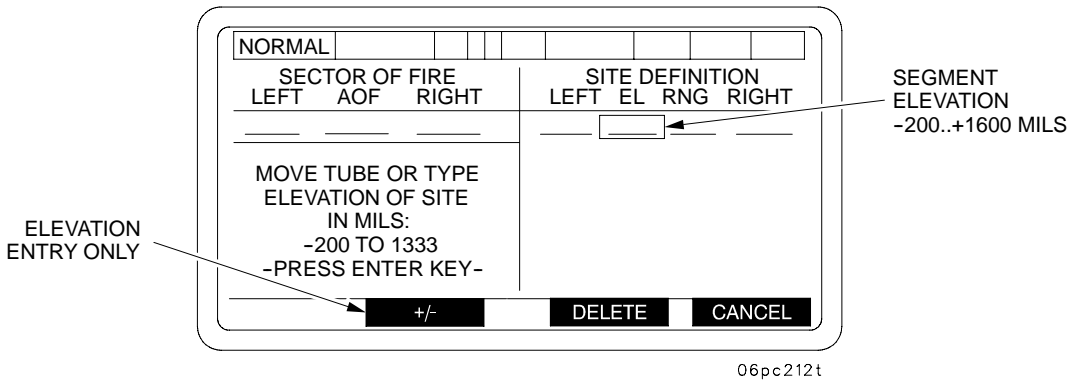
2-15C PDFCS TRAVEL MODE - CONTINUED

2-15C.2 Emplacement Fire Point/Fire Area - Continued

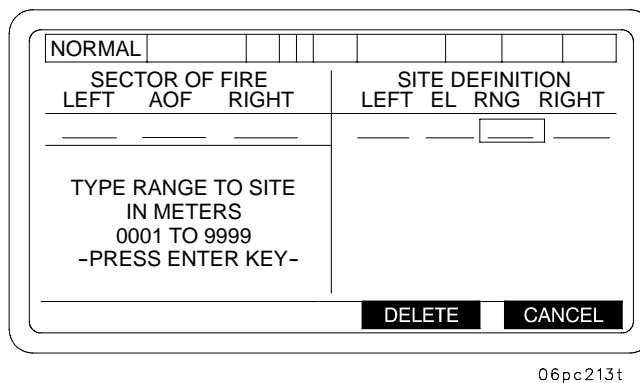
NOTE

Numerical value must be entered before sign. Default sign is (+).

- a. Select next limit column (EL) to display Elevation SITE DEFINITION screen. Enter elevation data in the same manner as left limit (type in data or use gun tube position). If elevation is below zero, press +/- key to place minus sign in front of numbers to be entered (used only when typing in data). Press ENT key.



- b. Select next limit column (RNG) to display the Range SITE DEFINITION screen. Enter range to crest and press ENT key. (Data for this must be typed in; gun tube position cannot be used.)



2-15C PDFCS TRAVEL MODE - CONTINUED

2-15C.2 Emplacement Fire Point/Fire Area - Continued

- c. Select next limit column (RIGHT) to display the right limit SITE DEFINITION screen. Data for this limit can be typed in, or use tube position. Enter data by pressing ENT key.

NORMAL										
SECTOR OF FIRE					SITE DEFINITION					
LEFT	AOF	RIGHT	LEFT			EL	RNG	RIGHT		
_____	_____	_____	_____			_____	_____	_____		
MOVE TUBE OR TYPE RIGHT EDGE OF SITE IN MILS: 0000 TO 6399 -PRESS ENTER KEY-										
DELETE					CANCEL					

06pc214t

- d. Using arrow key, move cursor box to next available line and to the left and identify next obstruction.
- e. Sequence can be repeated as many as seven times if needed.

2-15C.2.4 SECTION IN ORDER. When all data is correct, press ENTER key. This will bring up a SECTION IN ORDER WITHIN FIRE AREA or SECTION IN ORDER AT FIRE POINT screen depending on whether the Move Order was a move to a FIRE AREA or FIRE POINT. An ordered move of any other type would be indicated as such in field 11 of the menu.

NOTE

When SECTION IN ORDER screen is displayed, the commanded deflection (CMD DEFL) may be either:
 1) the Azimuth of Fire (Azimuth of LAY) from the Move Order, expressed at 3200 deflection. Since this is also the "Base Azimuth" position (the difference between the 3200 reference and the ordered Azimuth of LAY); or 2) if a Final Protective Fire (FPF) or Priority (PRI) target has been designated by the POC, the CMD DEFL will be the deflection from "Base Azimuth" to the FPF; or 3) when a Manual Move Order has been done, the CMD DEFL is the default Azimuth of Fire (Base Azimuth) entered upon initialization.

2-15C PDFCS TRAVEL MODE - CONTINUED

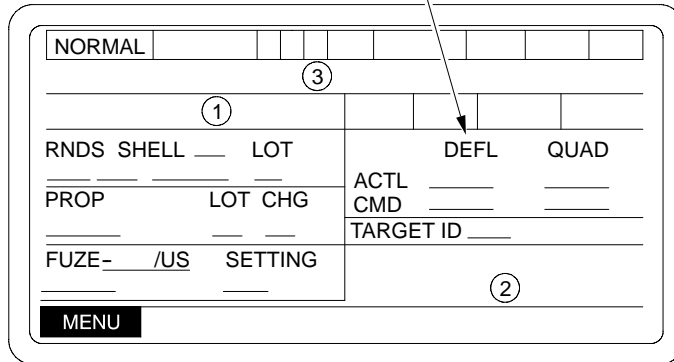
2-15C.2 Emplacement Fire Point/Fire Area - Continued

2-15C.2.4 SECTION IN ORDER - Continued

NOTE

LOAD/LAY and STOW will not be displayed unless the gun switch is in the ON position.

OR AZ
(AZIMUTH)



06pc157tb

2-15C.2.5 Establish Distant Aiming Point or Set Collimator (Optional).

NOTE

If time permits, the crew should set out collimator or select a DAP and set the PANTEL with the tube "Base Azimuth". If this is not possible immediately, traverse back to "Base Azimuth" using one of the following procedures based on the conditions indicated on the SECTION IN ORDER screen.

- a. Use this procedure when the CMD DEFL reads 3200 deflection and there is no FPF nor PRIORITY (PRI) target displayed on the SECTION IN ORDER screen. Under these conditions, CMD DEFL is using the Azimuth of Fire (Base Azimuth). To move the tube to Base Azimuth, 1) Turn on hydraulic power, 2) Set GUN SERVO switch to ON, and 3) Press/hold the LOAD key until the LOAD indicator is highlighted in the upper right corner of the screen. Tube is now laid on Azimuth of Fire (Base Azimuth) and both the ACTL DEFL and CMD DEFL should read 3200. 4) Sight onto the Collimator or the DAP and set 3200 Deflection on the PANTEL.

2-15C PDFCS TRAVEL MODE - CONTINUED

2-15C.2 Emplacement Fire Point/Fire Area - Continued

2-15C.2.5 Establish Distant Aiming Point or Set Collimator (Optional) - Continued

- b. Use this procedure when the CMD DEFL shows a deflection other than 3200 and there is either an FPF or PRIORITY (PRI) target displayed on the SECTION IN ORDER screen. The CMD DEFL is the Firing Azimuth for the FPF/PRI target, so the LOAD key cannot be used to move the tube to 3200 deflection. Under these conditions, 1) use the Hydraulic Power Handle Controls to traverse the tube until the ACTL DEFL reads 3200 deflection. Tube is now laid on Center of Sector (Base Azimuth). 2) Sight onto the Collimator or the DAP and set 3200 Deflection on the PANTEL.

NOTE

If the PDFCS fails, use the Azimuth of Fire recorded during emplacement as Azimuth of LAY (Base Azimuth) and use reciprocal lay procedures with the aid of an operational howitzer.

2-15C.2.6 Final Laying of Gun Tube at FIRING AREA. It is necessary to lay the gun tube on the Azimuth of Fire (from MOVE ORDER) or the FPF/PRI azimuth/deflection. The SECTION IN ORDER screen will show a difference between the ACTL DEFL and the CMD DEFL. The ACTL and CMD values must be the same for the gun tube to be laid. To accomplish this: 1) set GUN SERVO switch to ON, and 2) depress and hold LOAD key (para 2-11.2). The gun will traverse to the CMD DEFL (match ACTL and CMD) and to the LOAD ELEVATION stored at initialization. When the LOAD indicator is highlighted, release the LOAD key.

2-15D PDFCS SECTION IN ORDER.

When the PDFCS has been properly initialized, the howitzer is then moved to a FIRE AREA. Upon arrival at the FIRE AREA the howitzer is emplaced at a FIRE AREA at which time SITE and MIN QE DATA are entered into the PDFCS. Once the data is correctly entered, a SECTION IN ORDER AT FIRE AREA screen is displayed. The howitzer and crew are now ready to receive and carry out a fire mission. If time permits, a DAP is selected and the PANTEL is set for 3200 deflection on the Base Azimuth. For position improvement, establish alternate Aiming Points (DAP/Collimator), verify Boresight and enter MAX TUBE EL.

NORMAL			
RNDS	SHELL	LOT	
DEFL	QUAD		
PROP	LOT	CHG	
ACTL			
CMD			
TARGET ID			
FUZE-	/US	SETTING	
MENU			

06pc157tb

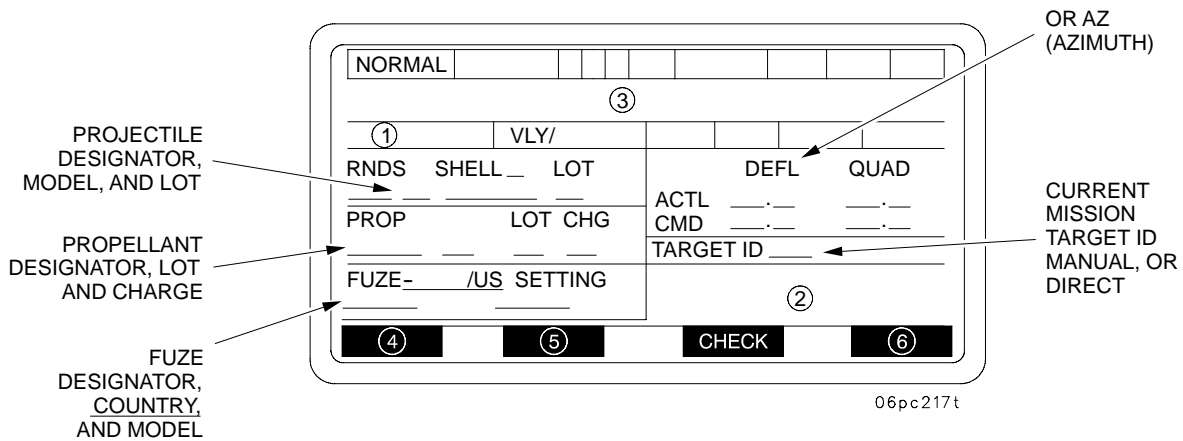
2-15E PDFCS FIRE MISSION.

Fire missions are usually generated as a result of a message from the BCS to the PDFCS. Included in the message are target location, method of control, and ammunition to fire (if ammunition is not specified the PDFCS will default to its own selection). When the message is received by the PDFCS, a fire mission screen is displayed on the PDU and an audible alert is sounded through the intercom system. The Ballistics Computer will then compute the ballistics (azimuth and quadrant), based on ammunition data (projectile, propellant, and fuze), target location and the location of the howitzer (provided by the navigation system). The ballistic solution is then displayed on the fire mission screen.

A typical FIRE MISSION screen contains the following:

WARNING

The crew compartment must be adequately ventilated during all firing using the LEAD FILTER or ventilation system in accordance with para 2-22.2.



Listed below are the legal values for each field of SD-16A.

VLY / = Current volley being displayed; 1/1, 1/2 or 2/2

NOTE

The 1/1, 1/2, and 2/2 data shall not be displayed for operator initiated fire missions and missions that are in fire commands format.

- RNDS = Number of rounds remaining to fire 1..9
- SHELL = Shell model and mnemonic
- SHELL LOT = A..Z
- PROP = Propellant model
- PROP LOT = A..Z
- CHG = Propellant charge designator (see Table 2-1)
- FUZE = Fuze model, Country and mnemonic
- SETTING = Computed fuze setting, "PD" or "DELAY"
- DEFL (or AZ) = 0.0..6399.9 mils
- QUAD = -200.00..+1600.0 mils
- TARGET ID = Current mission target identification

2-15E PDFCS FIRE MISSION - CONTINUED

1. Blank = Fire mission is not a sheaf
SHEAF PT = This gun is participating in a multi-gun sheaf
SHEAF a/s = This run is conducting a single gun sheaf where: a. Current aimpoint number;
b. Number of sheaf points
2. Blank - Displayed when none of the following apply
REMEMBER TO UPDATE INVENTORY = Direct or manual fire mission and none of the following apply.
WARNING TUBE IS NOT IN LAY POSITION = WC is operational and the tube is not in the lay window.
TUBE MUST BE LAID MANUALLY = WC is not operational.
CALL FDC IF ROUND IN TUBE = Awaiting tube clear and crew not authorized to fire.
PRESS SHOT OR CLEAR TO ACK CEASELOAD = PDFCS has received a cease-load request.
Min QE violated ACK.
SECTOR OF FIRE VIOLATION = Gun-target line is outside the defined sector of fire.
SITE VIOLATION = Firing parameters violate defined mask.
INSUFFICIENT AMMO SHELL/FUZE/PROP = Insufficient inventory quantities.
INSUFFICIENT AMMO SHELL/FUZE = Insufficient inventory quantities.
INSUFFICIENT AMMO SHELL/PROP = Insufficient inventory quantities.
INSUFFICIENT AMMO FUZE/PROP = Insufficient inventory quantities.
INSUFFICIENT AMMO SHELL = Insufficient inventory quantities.
INSUFFICIENT AMMO FUZE = Insufficient inventory quantities.
INSUFFICIENT AMMO PROP = Insufficient inventory quantities.
MAX TUBE EL EXCEEDED = Computed QE exceeds the defined maximum tube elevation.
MINIMUM QE VIOLATED = The Gun Tube has violated the minimum QE as entered by the PDFCS operator in the Enter Minimum Firing QE Display.

2-15E PDFCS FIRE MISSION - CONTINUED

3. FIRE WHEN READY = Fire at will
UNDER VOICE ORDERS = Manual fire mission
COMPUTING DO NOT LOAD = PDFCS computing or waiting for operator response
DO NOT LOAD = Do not load missions
LOAD LAY THEN PRESS READY = At my command or Copperhead mission
WAIT FOR COMMAND = At my command after ready
WAIT XXX SECONDS = Time to fire mission or continuous interval mission
FIRE = COMMAND TO FIRE
FPF END OF MISSION = EOM or ceaseload during FPF
EARLY END OF MISSION = EOM received after load but before all rounds fired
CEASELOAD = Ceaseload received after load but before all rounds fired
4. SHOT = PDFCS requires notification of round fired
READY = PDFCS requires notification of operator ready to fire
5. CLEAR = PDFCS requires notification of tube clear
OTHER VLY = Other volley information is available for operator viewing
6. ABORT = Fire mission other than direct or manual active
EOM = Direct or manual mission active

NOTE

Some of the alerts listed in item 2 above will result in an "OK TO SHOOT?, YES, NO" short error message to the PDFCS operator.

MINIMUM QE VIOLATED ACK

The Gun Tube has violated the minimum QE as entered by the PDFCS operator in the Enter Minimum Firing QE Display. An audio alert shall sound until the ACK key is pressed.

MINIMUM QE NO LONGER VIOLATED ACK

The Gun Tube no longer violates the minimum QE as entered by the PDFCS operator in the Enter Minimum Firing QE Display. An audio alert shall sound until the ACK key is pressed.

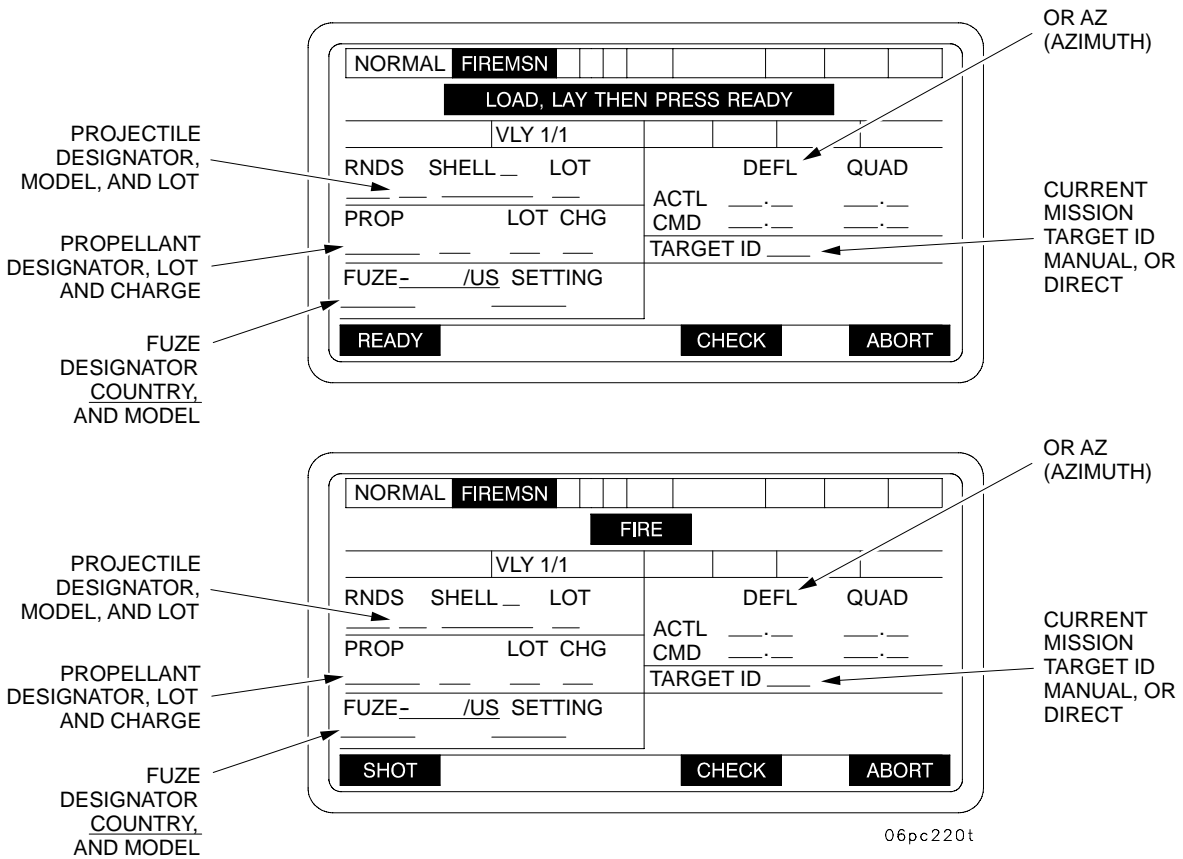
Fire Mission Received. When displayed, press ACK to confirm receipt of fire mission.

2-15E PDFCS FIRE MISSION - CONTINUED

2-15E.1 Platoon Operation Center.

Although the howitzer has the ability to compute its own firing data, the actual firing of a mission is controlled by the POC. The control method is included within the fire mission message and displayed on the FIRE MISSION screen. Control methods are as follows:

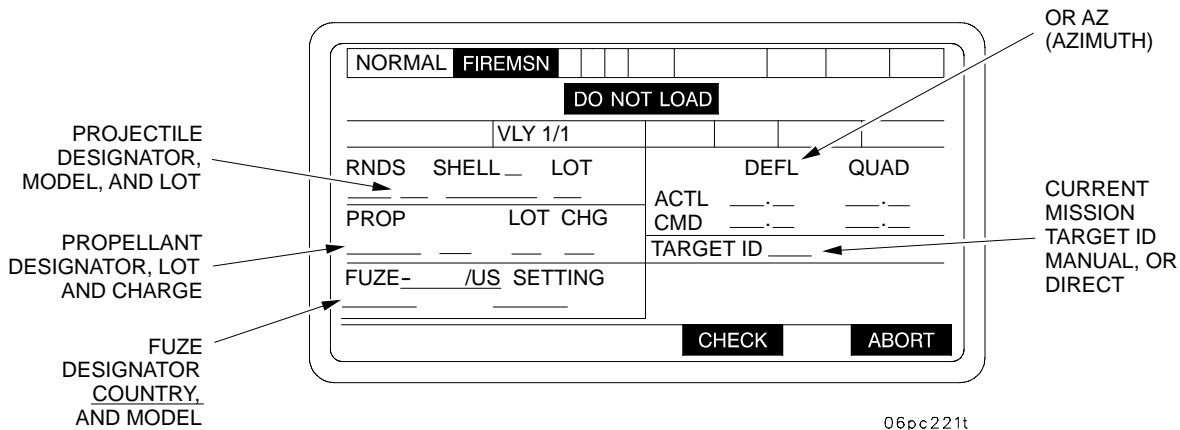
- a. AT MY COMMAND. In this method, the POC controls when the howitzer is fired. (An example is a normal Copperhead mission.) The Method of Control field of the FIRE MISSION screen will tell the COS to LOAD, LAY, then press READY key. When these are accomplished, a message that the howitzer is ready to fire is sent to the POC. When the FIRE COMMAND is issued by the POC, an audible alert and an alternating tone is sounded and a FIRE prompt is displayed. If more than one volley is to be fired, the other volleys will be FIRE WHEN READY.



2-15E PDFCS FIRE MISSION - CONTINUED

2-15E.1 Platoon Operation Center - Continued

- b. **DO NOT LOAD.** This is a restrictive command that prohibits loading and firing. This is used when it is anticipated that significant time will elapse between loading and firing. When the **DO NOT LOAD** command is canceled, then the **FIRE** command is issued, and the same audible and visual alerts will be received as in **AT MY COMMAND**.



- c. **TIME TO FIRE (TTF) SEQUENCE.** This sequence consists of the following:
 - (1) Ballistic sequencing is performed. (**COMPUTING DO NOT LOAD**)
 - (2) If no **ABORT** is performed during the ballistic sequencing the PDFCS operator is given the data.
 - (3) The PDFCS operator is told to "**WAIT FOR XXX SECONDS**" where xxx is the number of seconds remaining until time to fire.
 - (4) The "**WAIT FOR XXX SECONDS**" prompt is updated each second.
 - (5) When the countdown has expired, the PDFCS operator is told to "**FIRE**".
 - (6) If this is not a FPF mission, then when the first shot out is detected, and there is a Continuous Fire Interval specified, processing continues using the Continuous Fire Interval sequence. If there are more rounds to fire, and a Continuous Fire Interval is not specified, the PDFCS operator is told to "**FIRE WHEN READY**" (similar to when ready sequencing subsequent rounds). Otherwise, if shot out is not detected within 20 seconds then the mission is automatically ended.

If this is a FPF mission, then when shot out is detected the PDFCS operator is told to "**FIRE WHEN READY**" again. This is repeated until the mission is ended and no rounds complete is generated.
 - (7) When rounds complete is detected the mission is automatically ended.

2-15E PDFCS FIRE MISSION - CONTINUED

2-15E.1 Platoon Operation Center - Continued

- d. CONTINUOUS FIRE INTERVAL SEQUENCE. The Continuous Fire Interval sequence shall be as follows for the second and subsequent rounds in a mission where a continuous fire interval is specified.
- (1) Following the first round fired using the sequences described above, the operator shall be told to "WAIT FOR XXX SECONDS" where xxx is the number of seconds remaining until time to fire.
 - (2) The "WAIT FOR XXX SECONDS" prompt shall be updated each second.
 - (3) When the countdown has expired, the operator is told to "FIRE".
 - (4) If all rounds in the mission have not been shot, processing will sequence through steps 1, 2, and 3 above.
 - (5) When rounds complete is detected, the mission is automatically ended.

2-15E.2 Firing Mission.

WARNING

The crew compartment must be adequately ventilated during all firing using the LEAD FILTER or ventilation system in accordance with para 2-22.2.

When a fire mission is received, visual as well as an audible alert is given. The visual alerts are FIREMSN in Field 2 and OPERATOR ALERT AND ACK display. The audible alert can be heard by all crewmembers. When a fire mission is in process, each crewmember will perform his portion of the following:

- a. GUNNER and CANNONEER stow seats (if not previously stowed).
- b. Driver starts engine and/or raises idle speed to 1000-1200 rpm.
- c. COS issues the fire order (for example, 1 round HE; charge 4 green bag; Fuze Time, Time 25.0) and activates the HYDRAULIC POWER switch on the hydraulic control box and the GUN SERVO switch on the PDU.
- d. Cannoneer turns LEAD FILTER switch on the Accessory Control Box to ON and moves Vent Duct Control Handle into UP position.
- e. GUNNER opens breech (first round only).
- f. CANNONEER positions rammer to RAM position.
- g. GUNNER prepares propellant (charge/zone taken from bustle stowage).
- h. CANNONEER prepares projectile and fuze (sets time on fuze if necessary).
- i. COS verifies projectile, fuze, fuze time and propellant and depresses LOAD key on PDU (if necessary).
- j. When the tube is in the LOAD position, the CANNONEER places the projectile on the ram tray and activates rammer.
- k. When the ramming cycle is complete, the CANNONEER places the rammer in the stowed position.
- l. GUNNER places propellant in powder chamber and closes breech.

NOTE

When the PDFCS has laid the gun and the LAY key is highlighted the gun must stay within +/- 0.9 mils of the commanded deflection.

2-15E PDFCS FIRE MISSION - CONTINUED

2-15E.2 Firing Mission - Continued

- m. The COS presses and holds the LAY key on the PDU until the cannon is laid on the COMMAND FIRING data.
- n. COS ensures that the gun is in the LAY position by verifying and announcing LAY light is highlighted (ACTUAL and COMMANDED DEFLECTION) and QUADRANT is within tolerance (+/- 0.9) and the prompt "WARNING TUBE IS NOT IN LAY POSITION" is no longer displayed.
- o. GUNNER verifies LAY data. If data is correct GUNNER will announce "Verified." (If data is incorrect GUNNER will announce "Check firing".)
- p. COS gives the command to "PRIME."

NOTE

During high angle missions or illumination missions, it is recommended prime be done at load elevation.

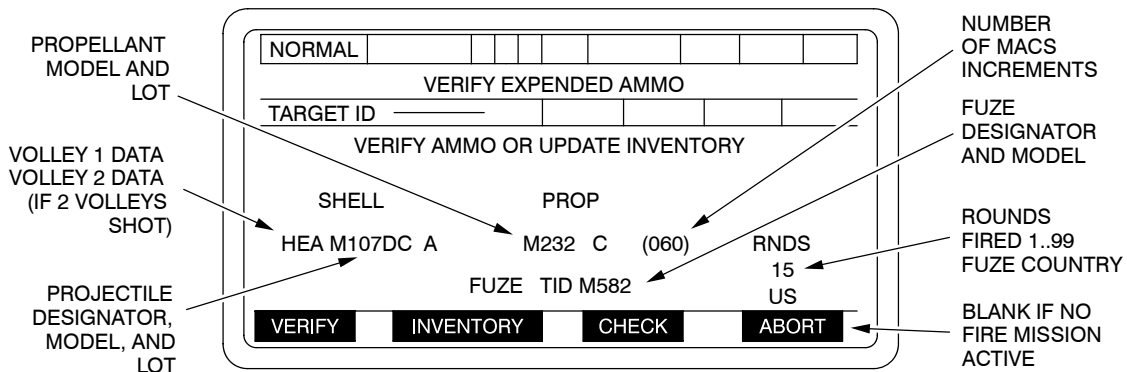
- q. COS commands "Hookup," CANNONEER attaches lanyard to firing block and announces "Hookup."
- r. COS announces, "FIRE."

NOTE

If the Navigation Subsystem or PMVS are out, the PDFCS will not detect the shot, and COS must press the SHOT soft key after each round.

- s. CANNONEER pulls the lanyard to fire the round.
- t. The PDFCS is capable of automatically detecting Shot. In most cases pressing the SHOT soft key is not required. When a round is fired, the Navigation Subsystem and PMVS will detect the round. After the round is fired and detected by the PDFCS, the SHOT soft key will automatically disappear for 5 seconds, the Fire Mission will automatically decrement by one round (i.e. rounds to complete mission will decrease by one), and the Ammo Inventory will automatically be adjusted. In the very rare case that the PDFCS does not detect shot, the COS must press the SHOT soft key as before.
- u. Cannoneer turns on Personnel Fan (Exhaust) switch on the Accessory Control Box and moves the Vent Duct Control Handle into DOWN position. Operate Personnel Fan for 1-2 minutes until all fumes are exhausted.

2-15E.2.1 Subsequent Rounds. The first procedure is also used for all subsequent rounds in a fire mission. When all rounds have been fired for the mission, a VERIFY EXPENDED AMMO screen will be displayed. Ammunition accountability is covered in para 2-15E.3.



06pc140ta

2-15E PDFCS FIRE MISSION - CONTINUED

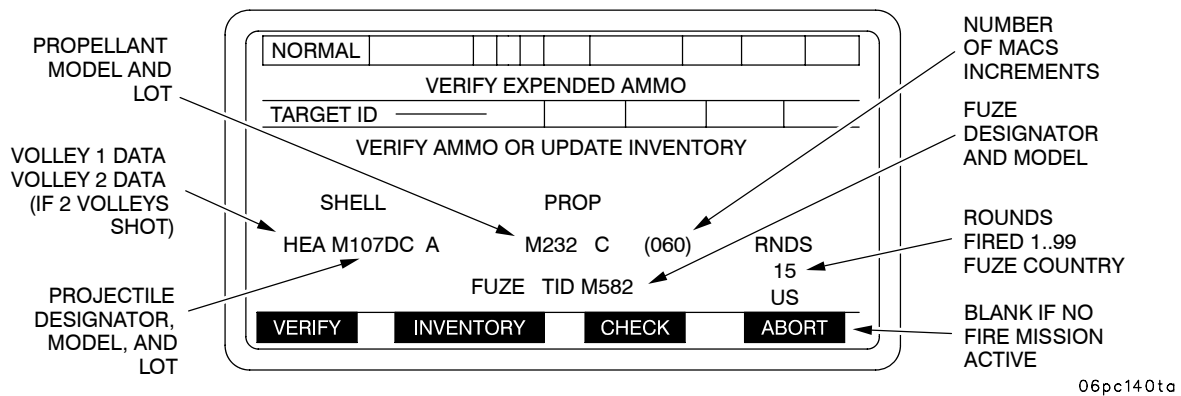
2-15E.3 Ammunition Accountability.

NOTE

- If a shell, fuze or propellant is entered in the PDFCS inventory, but the quantity is insufficient for the mission, or zero, the PDFCS will prompt the Chief of Section to accept or reject the mission (in case a new load of ammunition just arrived and has not been entered into inventory yet).
- If a fire mission is activated while you are in any of the inventory management menus, all completed entries will be saved automatically.

It is essential that accurate ammunition updates to the PDFCS be done in order to be able to fire all missions received. This should be done after a mission is fired. When all rounds in a mission have been fired, a VERIFY EXPENDED AMMO screen is displayed. This screen asks the operator either to verify ammunition fired or to update the ammo inventory. This is accomplished as follows:

- If the ammunition shown in the lower part of the VERIFY EXPENDED AMMO screen is an accurate account of the ammunition fired, press VERIFY key, to update the ammunition count. This updates the PDFCS ammunition count automatically.



2-15E PDFCS FIRE MISSION - CONTINUED

2-15E.3 Ammunition Accountability - Continued

- b. If the ammunition shown on the VERIFY EXPENDED AMMO screen is not an accurate account of ammunition fired (for example, a compatible fuze was used as a substitute for the fuze specified in the mission), press the INVENTORY key. This causes an INVENTORY MANAGEMENT screen to be displayed.

NOTE

When INVENTORY key is pressed, SHELL, PROP and FUZE must be updated.

NORMAL

INVENTORY MANAGEMENT

UPDATE SHELL INVENTORY
UPDATE PROP INVENTORY
UPDATE FUZE INVENTORY

PRESS FINISHED TO INDICATE
INVENTORY UPDATE COMPLETE

SELECT FINISHED CANCEL

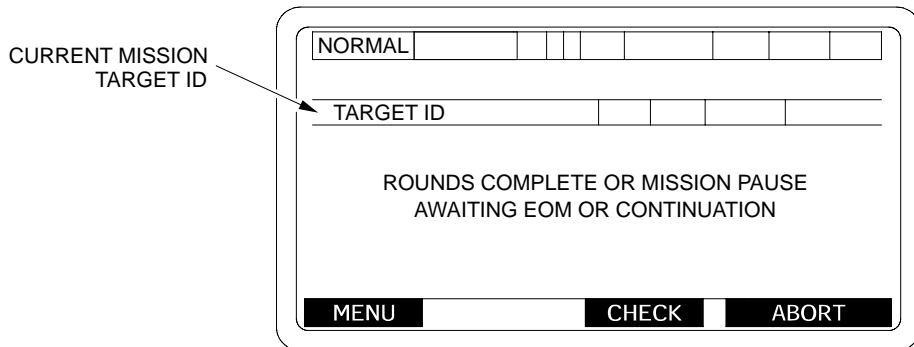
06pc172m

- c. This will allow the operator to manually input the type of round actually fired and correct the ammo inventory.
- d. If **FINISHED** is pressed at this point, the operator will be returned to a ROUND COMPLETE screen and none of the ammo from that fire mission will be subtracted from the inventory.

2-15E PDFCS FIRE MISSION - CONTINUED

2-15E.4 End of Mission.

Notification that a Fire Mission has ended is sent by an END OF MISSION (EOM) message from the POC. Normally, this is done when all rounds requested in a Fire Mission have been fired. When all the rounds for a mission have been fired, a ROUNDS COMPLETE OR MISSION PAUSE, AWAITING EOM OR CONTINUATION OF MISSION screen will be displayed until an EOM message is sent from the POC. When the EOM message is received by the PDFCS, an END OF MISSION screen is displayed.



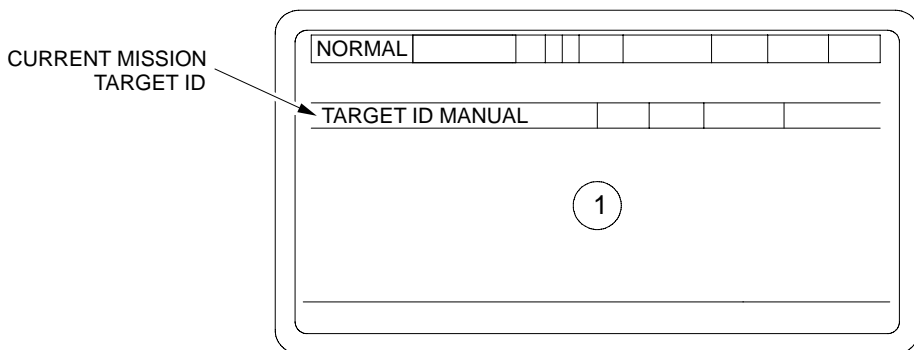
06pc176m



Operate Personnel Fan (Exhaust) switch on the Accessory Control Box with the Vent Duct Control Handle in DOWN position for 2 minutes when crew members observe fumes, smoke or indication of carbon monoxide build up in the crew compartment.

NOTE

While awaiting EOM or continuation of a mission, you can access the SETUP AND INFORMATION menus by pressing the MENU key (e.g. to update inventory to add new ammo received). The PDFCS will automatically interrupt whatever you are doing if the fire mission is continued.

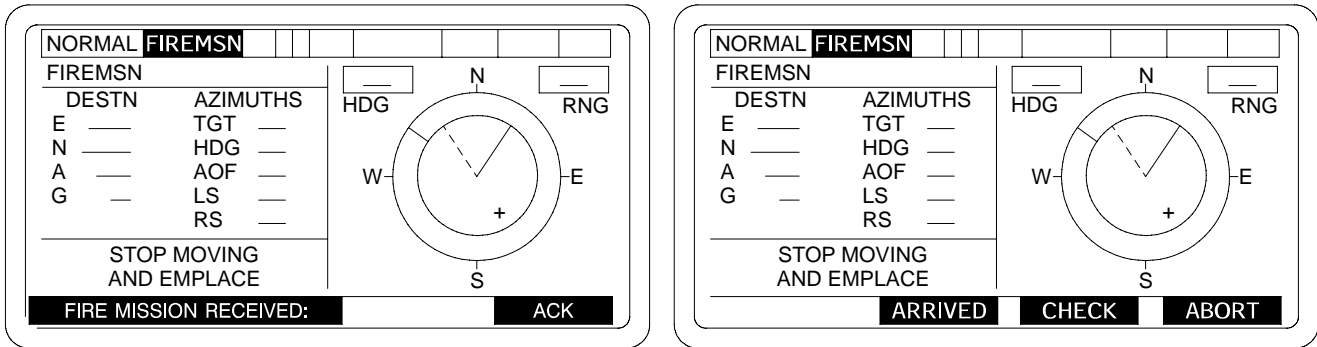


06pc177m

2-15E PDFCS FIRE MISSION - CONTINUED

2-15E.5 PDFCS EMERGENCY MISSION

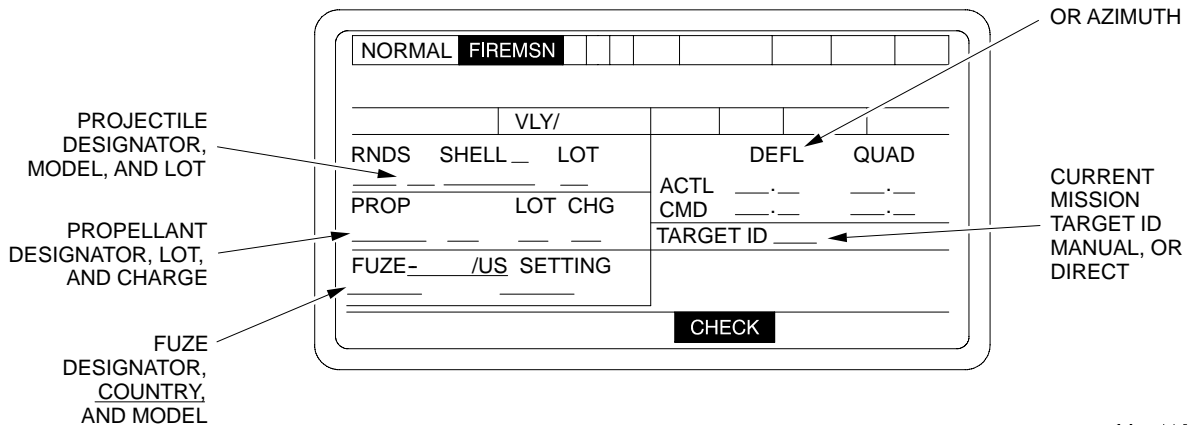
Because the M109A6 makes frequent tactical and survivability moves, receiving a Fire Mission while moving will become a routine event. During a move, a Fire Mission order may be sent requiring the individual howitzer to stop, emplace, and fire on a target at any time. When this type of order is sent, an audible alert and a visible alert in the form "FIREMSN RECEIVED", "ACK" in field 16 is displayed to the operator.



06pc143t

2-15E.5.1 Emplace.

The chief of section must ACK the mission and select a suitable firing position as quickly as possible. Depress ARRIVED soft key to receive the Fire Mission. Fire Mission data will be computed and displayed.



06pc142t

2-15E PDFCS FIRE MISSION - CONTINUED

2-15E.5 PDFCS EMERGENCY MISSION - Continued

2-15E.5.2 Ready Gun.

- a. Set HYDRAULIC POWER switch on hydraulic control box and GUN SERVO switch on PDU to ON.
- b. Release gun tube from travel lock.
- c. Release cab traverse lock.

2-15E.5.3 LAY, LOAD, LAY, AND FIRE.

NOTE

Ballistic computations must have been completed before LAY key is depressed.

- a. Depress and hold LAY key to bring gun to target Azimuth and LAY elevation. Look through tube and verify immediate Crest is clear.
- b. Depress LOAD key to LAY weapon on COMMANDED deflection and LOAD quadrant.
- c. Depress LAY key to LAY weapon on COMMANDED deflection and quadrant. Ensure LAY key is held until LAY indicator is highlighted.
- d. On command, fire the gun.

2-15E.5.4 End of Mission.

- a. When END OF MISSION message is received, wait for instructions to proceed with displacement.
- b. After the END OF MISSION message, the MOVE ORDER screen with previous move mission data will be displayed.
- c. Turn on Personnel Fan (Exhaust) switch on the Accessory Control Box and move the Vent Duct Control Handle into DOWN position. Operate Personnel Fan for 1-2 minutes until all fumes are exhausted.
- d. Proceed to ordered destination.

CAUTION

Operate Personnel Fan (Exhaust) switch on the Accessory Control Box with the Vent Duct Control Handle in DOWN position for 2 minutes when crew members observe fumes, smoke or indication of carbon monoxide build up in the crew compartment.

2-15E PDFCS FIRE MISSION - CONTINUED

2-15E.6 Direct Fire Procedures Using PDFCS.

NOTE

While the PDFCS can be used, manual (one man-one sight) procedures have been found to be faster and just as accurate.

For direct fire against close range targets, PDFCS can be used to aid in laying the cannon. COS identifies target, states type charge, projectile and fuze to be used, estimates speed (if target is moving) and announces lead to GUNNER. COS continues direct firing procedures until target is destroyed.

- a. COS first identifies direct fire target. If target consists of several weapons, he selects target that is the greatest threat to his position.
- b. COS gives fire command in the following order:

ELEMENT	EXAMPLE
Target designation	Target, lead tank
Target direction	Left/right front
Projectile, charge, fuze	Shell HE, charge 7, fuze quick
Lead	Lead left/right 10
Method of fire	Fire at will

NOTE

- "Fire at will" means to keep firing until target is destroyed or another command is given.
- COS will estimate range if he has no accurate range.
- COS will use lead chart mounted in commander's cupola (shown below) for initial lead.

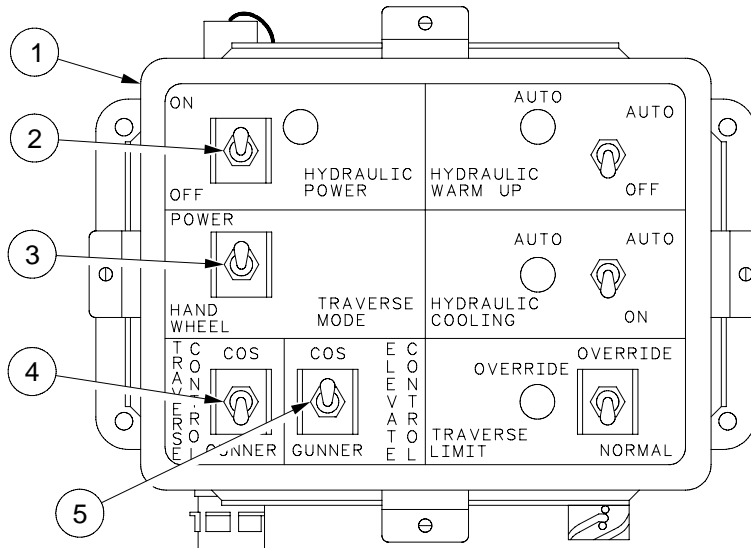
DIRECT FIRE MOVING TARGET LEAD			
TARGET SPEED (MPH)	TARGET DIRECTION OF TRAVEL LEAD IN MILS (m)		
	←→	↖↗	↑↓
5	5m	5m	0m
10	10m	5m	0m
15	15m	10m	0m
20	20m	15m	0m
25	20m	15m	0m
30	30m	20m	0m

- c. On Display Unit COS sets GUN SERVO switch to OFF.

2-15E PDFCS FIRE MISSION - CONTINUED

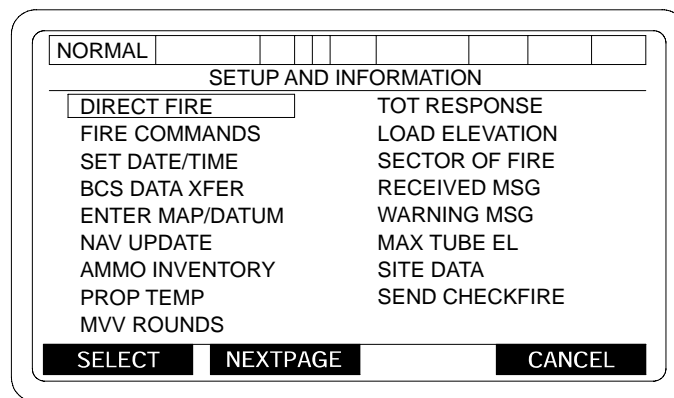
2-15E.6 Direct Fire Procedures Using PDFCS - Continued

- d. On hydraulic control box (1), turn HYDRAULIC POWER switch (2) to ON, TRAVERSE MODE switch (3) to POWER, TRAVERSE CONTROL switch (4) to GUNNER, and ELEVATE CONTROL switch (5) to COS.



hipc173a

- e. Bring SETUP AND INFORMATION menu up on Display Unit using one of the following procedures:



06pc180m

NOTE

The NAV update selection shall be available to the PDFCS operator at all times except when a fire mission is active or the navigation subsystem is unavailable.

2-15E PDFCS FIRE MISSION - CONTINUED

2-15E.6 Direct Fire Procedures Using PDFCS - Continued

- f. With cursor (box) at DIRECT FIRE, press soft key located directly beneath SELECT prompt to display a DIRECT FIRE MODE ENTRY menu on PDU.

06pc180m

RANGE TO TARGET
10..2500 METERS
DEFAULT = 500

RELATIVE ALTITUDE
OF TARGET
-999.. + 999 METERS
DEFAULT = 0

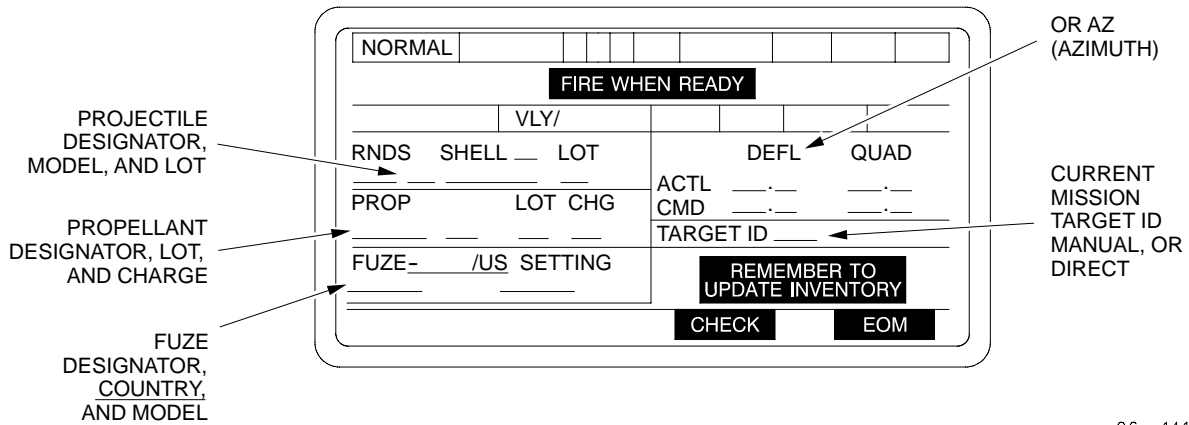
06pc183m

- ① blank - No selection made
"TYPE VALUE 10 TO 2500 METERS" - RANGE Selected.
"-PRESS ENT KEY-"
"TYPE VALUE -999 TO +999" - UP/DOWN Selected.
"-PRESS ENT KEY-"
- ② blank - If RANGE or UP/DOWN Selected
- SELECT** -Awaiting Selection or USE ALL. Selects current menu item.
- ③ blank - If RANGE Selected
- +/-** - UP/DOWN Selected. Change sign of value
- USE ALL** - Awaiting Selection or USE ALL. Initiate direct fire mission.

2-15E PDFCS FIRE MISSION - CONTINUED

2-15E.6 Direct Fire Procedures Using PDFCS - Continued

- g. Press soft key located directly beneath the USE ALL prompt of the DIRECT FIRE MODE ENTRY menu to display a FIRE MISSION menu.



06pc141t

NOTE

You will only use the ACTL QUAD field of this screen to set tube elevation.

- h. Using the DIRECT FIRE RANGE PLATE, the COS determines elevation based on estimated range. Using COS control handle, COS elevates/depresses gun to proper elevation in the ACTL QUAD field of the FIRE MISSION menu, then announces "SET" continually until howitzer is fired.

DIRECT FIRE RANGE PLATE 155MM HOWITZER			
M549A1 RAP		M107 HE PROJECTILE	
ROCKET OFF		M19A1 PC WB	
M203 SERIES PC RB		M119A2 PC RB	
RANGE METERS	ELEV MILS	RANGE METERS	ELEV MILS
400	3	400	4
600	5	600	7
800	6	800	9
1000	8	1000	11
1200	9	1200	14
1400	11	1400	16
L15 HE PROJECTILE		M107 HE PROJECTILE	
M203 SERIES PC RB		M4A2 PC WB	
RANGE METERS	ELEV MILS	RANGE METERS	ELEV MILS
400		400	6
600		600	10
800		800	13
1000		1000	16
1200		1200	20
1400		1400	23
PLATE DIRECT FIRE		P/N 12910859	

2-15E PDFCS FIRE MISSION - CONTINUED

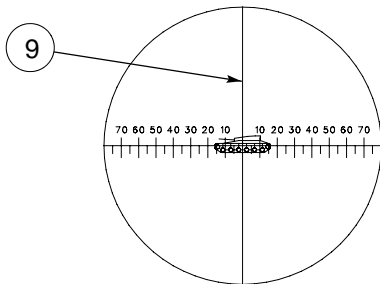
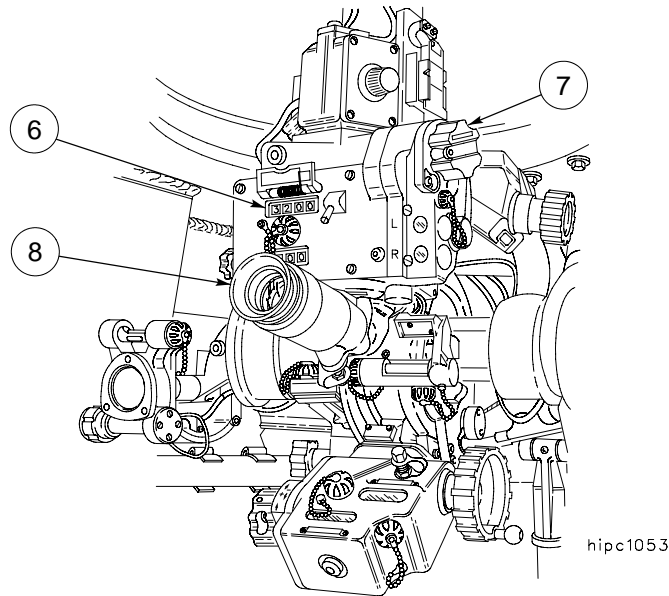
2-15E.6 Direct Fire Procedures Using PDFCS - Continued

- i. On subsequent rounds, the COS will estimate a new range based on observed effects and repeat step h until target is destroyed or other commands become necessary.
- j. GUNNER sets azimuth counter (6) to 3200, and turns direct/indirect fire bar knob (7) to DIRECT position to engage 5.0 mils per click sight mechanism.

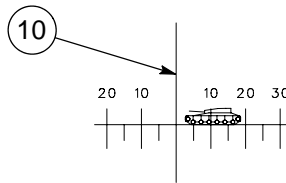
NOTE

The head of the PANTEL must remain oriented with the gun tube. The PANTEL will be oriented with the gun tube if the azimuth counter reads 3200 and the PANTEL is properly boresighted.

- k. If central laying is used, GUNNER applies announced lead to azimuth counter (6). If lead is left, add the lead angle to 3200; if lead is right, subtract the lead angle from 3200. The GUNNER then sights through the eyepiece (8) and traverses tube until vertical hairline (9) of PANTEL centers on the target. If reticle method is used, GUNNER places vertical hairline (10) left or right of target the number of mils lead announced by COS.



CENTRAL LAYING



RETICLE METHOD

hipc1057

2-15E PDFCS FIRE MISSION - CONTINUED

2-15E.6 Direct Fire Procedures Using PDFCS - Continued

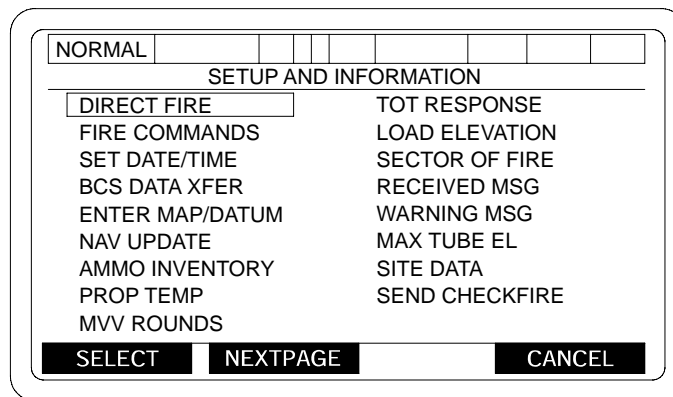
- l. When GUNNER establishes correct sight picture, and COS has announced "SET," GUNNER commands "FIRE."
- m. CANNONEER fires gun.
- n. After firing, GUNNER continues to lay on target until it is destroyed or a subsequent fire command is issued.
- o. COS gives subsequent fire commands based on observed effects and changes lead as necessary.

ELEMENT	EXAMPLE
Change in Lead	Right/left 5

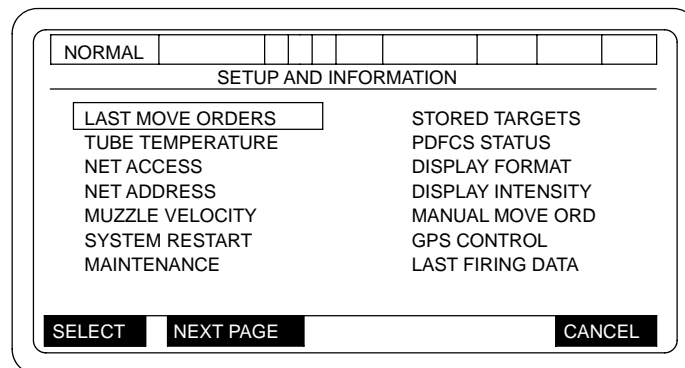
- p. GUNNER turns azimuth deflection knob in 5-mil (1-click) increments to set lead change.

2-15E.7 System Menus.

The SETUP AND INFORMATION menu is used to access the various screens to initialize the PDFCS and align the Navigation System. It also provides access to menus allowing the operator to enter fire commands and muzzle velocities, access messages, and to monitor PDFCS STATUS and tube temperature. The operator can change the display format and intensity, input Manual Move Orders, perform a system update, and access stored targets. The operator can enter a Map Mod; can access the MAINTENANCE MODE MENU; and can update his ammunition inventory. This will complete the capabilities of the system menus.



06pc180m



06pc185ma

2-15E PDFCS FIRE MISSION - CONTINUED

2-15E.7 System Menus - Continued

2-15.7.1 Fire Commands. If the Ballistic Computer or digital communications is out, fire commands (deflection and quadrant) will be sent by voice to the howitzer COS. The operator will enter these fire commands manually as follows:

- a. Box in FIRE COMMANDS on SETUP AND INFORMATION menu and press SELECT key to display a FIRE COMMANDS ENTRY screen.

hipc4204

- b. With the FIRE COMMANDS ENTRY screen displayed, box in DEFLECTION; press SELECT key; type in deflection; and press ENT key.
- c. Box in QUADRANT and press SELECT key. Type in quadrant and press ENT key.
- d. When correct fire command has been entered, press USE ALL key to display a FIRE MISSION screen with firing data in the COMMANDED (CMD) field.

06pc144t

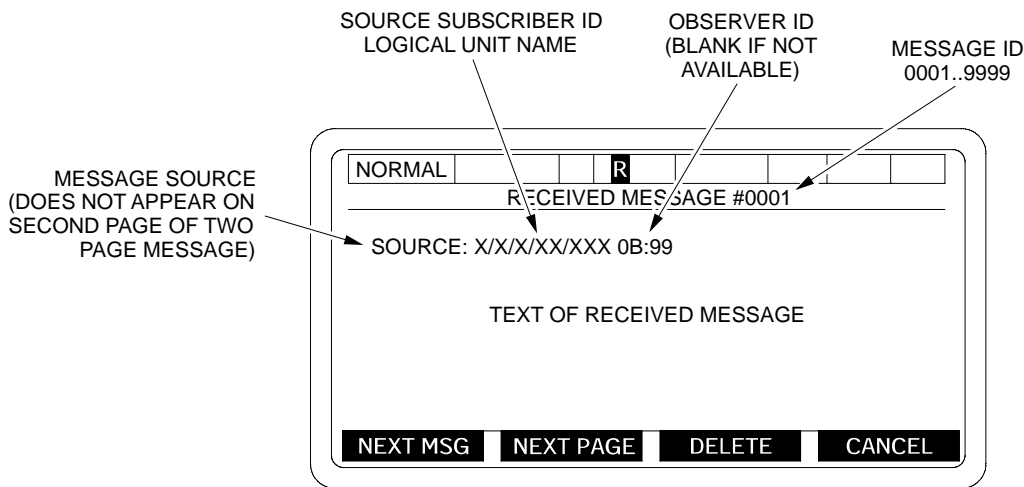
- e. The fire mission is fired using normal procedures.
- f. When the voice order to end the mission is received, press the EOM key.
- g. Ammo accountability is then manually processed (para 2-15E.3).

2-15E PDFCS FIRE MISSION - CONTINUED

2-15E.7 System Menus - Continued

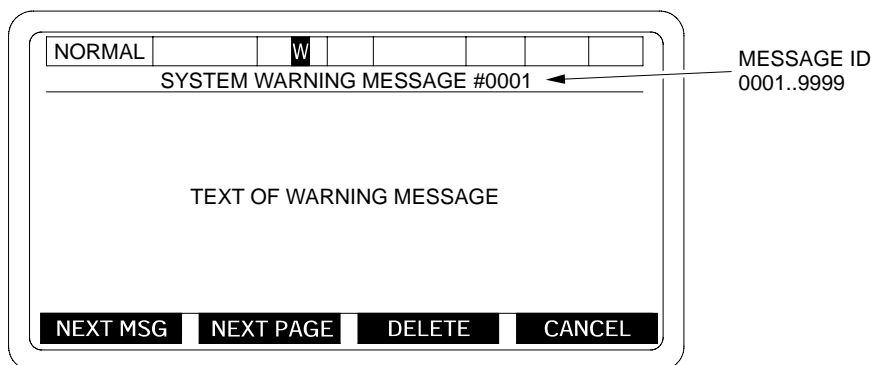
2-15E.7.2 Messages. The two types of PDFCS messages accessed from the SETUP AND INFORMATION menu are RECEIVED MSG and WARNING MSG. The received messages are ones received from the POC and the warning messages are generated by the PDFCS for system status. When there is a new message to read, a RCVD MSG (R) highlighted field 5 or WARN MSG (W) highlighted field 4 indicator will be displayed at the top of the screen. Access messages using the following procedures:

- Box in desired message on SETUP AND INFORMATION menu and press SELECT key to display a RECEIVED MESSAGE/SYSTEM WARNING MESSAGE.
- If more than one message is in the message queue, display next message by pressing the NEXT MSG key. If a message contains more than one page, display next page by pressing NEXT PAGE key.
- To return to the SETUP AND INFORMATION menu, press CANCEL key.



06pc188m

- NEXT MSG** = DISPLAY NEXT MESSAGE (BLANKED IF NO NEXT MESSAGE)
- NEXT PAGE** = DISPLAY NEXT PAGE (BLANKED IF NO NEXT PAGE)
- DELETE** = DELETE CURRENT MESSAGE (BLANKED IF NO MORE MESSAGES)



06pc189m

- NEXT MSG** = DISPLAY NEXT MESSAGE (BLANKED IF NO NEXT MESSAGE)
- DELETE** = DELETE CURRENT MESSAGE (BLANKED IF NO MORE MESSAGES)

2-15E PDFCS FIRE MISSION - CONTINUED

2-15E.7 System Menus - Continued

2-15E.7.2.1 MAXIMUM TUBE ELEVATION. From the SET UP AND INFORMATION menu select "MAX TUBE EL" to input the maximum tube elevation.

NORMAL | [] [] [] [] [] [] [] [] [] []
MAXIMUM TUBE ELEVATION

USE DEFAULT VALUE (1333)
TYPE NEW VALUE
USE TUBE POSITION

SELECT

06pc154m

- a. Entering MAXIMUM TUBE ELEVATION. If a maximum tube elevation is not entered, the default value as shown on the display will be entered automatically. If an elevation other than the default value is desired, the entry can be made by either of two methods:

NOTE

Numerical value must be entered before sign. Default sign is (+).

- b. Box in TYPE NEW VALUE and depress SELECT to bring up a new MAXIMUM TUBE ELEVATION display. Enter required value for MAX TUBE EL and press ENT key.

NORMAL | [] [] [] [] [] [] [] [] [] []
MAXIMUM TUBE ELEVATION

USE DEFAULT VALUE (1333)
TYPE NEW VALUE
USE TUBE POSITION

[-]
- PRESS ENTER -

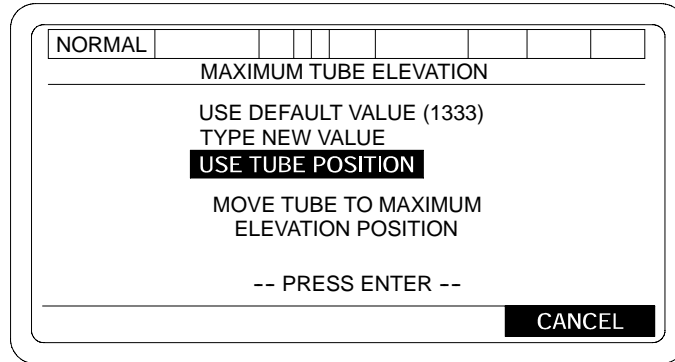
+ - CANCEL

06pc155m

2-15E PDFCS FIRE MISSION - CONTINUED

2-15E.7 System Menus - Continued

- c. Box in USE TUBE POSITION and press SELECT key to bring up a new MAXIMUM TUBE ELEVATION display. Using the COS or gunner's control handle, move tube to desired elevation and press ENT key.



06pc156m

2-15E PDFCS FIRE MISSION - CONTINUED

2-15E.7 System Menus - Continued

2-15E.7.3 Send Checkfire. Selecting SEND CHECKFIRE will result in questions asked, "ARE YOU SURE", "YES" "NO". "YES" selection will cause all howitzer systems to be placed on CHECKFIRE. Only the POC/BCS can cancel the CHECKFIRE. "NO" selection = No action.

- ① **EOM** = MISSION is direct or manual
- ABORT** = MISSION is not direct or manual

06pc145t

2-15E.7.4 Stored Targets. The PDFCS can store up to ten targets. These targets can be reviewed for information concerning target number, rounds to be fired, shell, propellant, fuze, and method of control. To access the target summary, perform the following steps:

- a. Box in STORED TARGETS on SETUP AND INFORMATION menu and press SELECT key to display a STORED TARGET SUMMARY screen.
- b. If there is more than one page, press NEXT PAGE key to display next page.
- c. To return to SETUP AND INFORMATION menu, press CANCEL key.

TARGET	RND	SHELL	PROP	FUZE	CONTROL
AA0001		HE			FPF
AA0340	6	ICM		TI	12:1430
AA0245	3				12:1545
	2	WP		TI	
AA0045	2	HEA A	M232	PDAD/US	WR

FPF ALWAYS FIRST ENTRY (IF AVAILABLE)
 TOT MISSIONS NEXT SORTED BY TOT TIME
 FIELDS BLANK WHEN TGT AMMO IS UNSPECIFIED
 SECOND VOLLEY
 OTHER MISSIONS SORTED BY TARGET ID

NEXT PAGE = SHOWS NEXT PAGE. IF LAST PAGE, THEN SHOWS FIRST PAGE. (BLANKED IF ONLY ONE PAGE OR NO TARGETS).

06pc145ta

NOTE

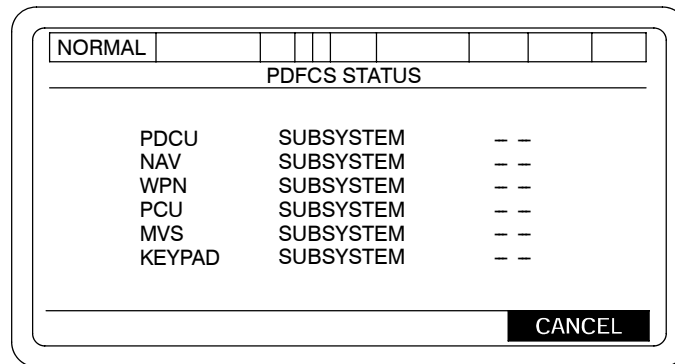
Shell and fuze entries will be blank if the stored mission arrives from the BCS with unspecified ammunition and is not an FPF mission (as shown above in target ID AA0245).

2-15E PDFCS FIRE MISSION - CONTINUED

2-15E.7 System Menus - Continued

2-15E.7.5 PDFCS STATUS. To display the PDFCS SUBSYSTEM STATUS, proceed as follows:

- Box in PDFCS STATUS on SETUP AND INFORMATION menu and press SELECT to display the PDFCS STATUS screen.
- Cursor and select a PDFCS SUBSYSTEM to view the sub-components. The status of each sub-component will be displayed either "OK" or "FAIL".
- To return to the SETUP AND INFORMATION menu, press CANCEL key.



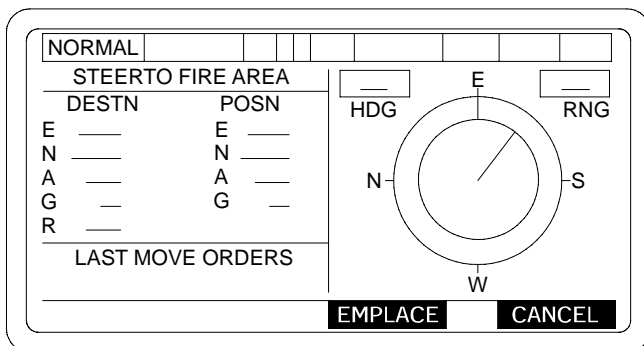
06pc638m

2-15E.7.6 Last Move Orders. To display the last move orders received by the PDFCS, proceed as follows:

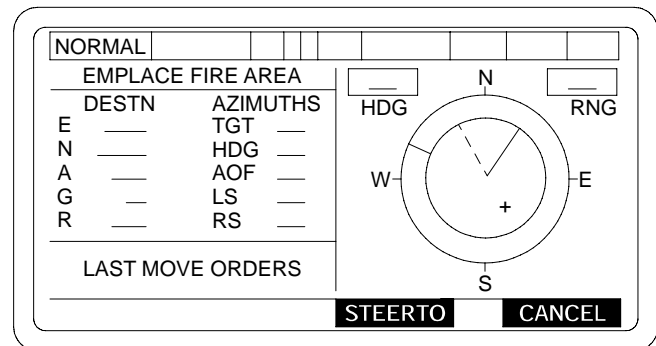
- Box in LAST MOVE ORDERS on SETUP AND INFORMATION menu and press SELECT key. A STEERTO FIRE AREA screen will be displayed showing LAST MOVE ORDERS.
- Press the EMLACE key to display an EMLACE FIRE AREA screen showing LAST MOVE ORDERS.
- From STEERTO FIRE AREA or EMLACE FIRE AREA screen, the SETUP AND INFORMATION menu can be reached by pressing the CANCEL key.

NOTE

This will not be available after the first Survivability Move.



06pc191m



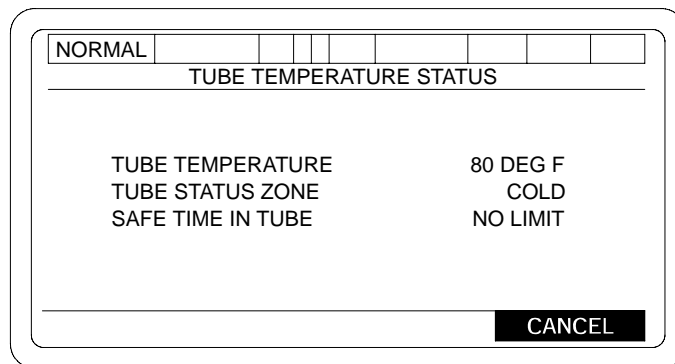
06pc192m

2-15E PDFCS FIRE MISSION - CONTINUED

2-15E.7 System Menus - Continued

2-15E.7.7 Tube Temperature. The TUBE TEMPERATURE STATUS is shown on the FIRE MISSION screen as COLD, WARM, or HOT; and a time is displayed which indicates how long a complete round may remain in the tube. TUBE TEMPERATURE STATUS can also be displayed as follows:

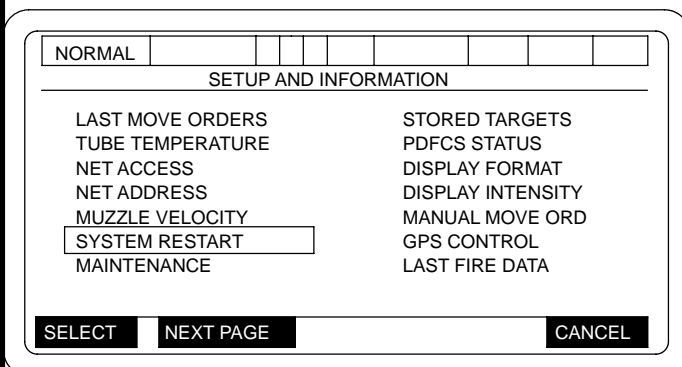
- a. Box in TUBE TEMPERATURE on SETUP AND INFORMATION menu and press SELECT key.
- b. A TUBE TEMPERATURE screen will be displayed showing TEMPERATURE STATUS (COLD, WARM, HOT), and SAFE TIME IN TUBE.
- c. To return to SETUP AND INFORMATION menu, press CANCEL key.



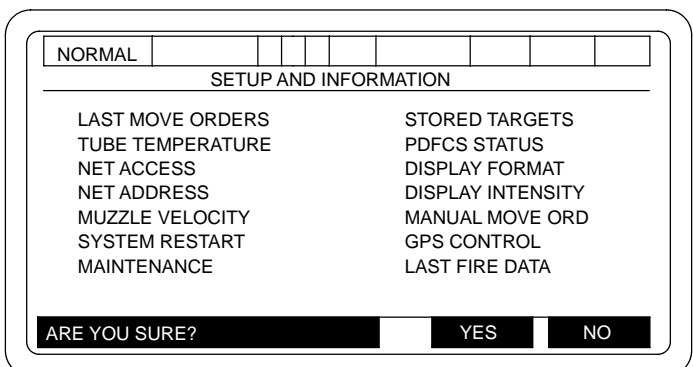
06pc193m

2-15E.7.8 System Restart. To do a SYSTEM RESTART without shutting the system off and powering back-up, proceed as follows:

- a. Box in SYSTEM RESTART on SETUP AND INFORMATION menu and press SELECT key. A prompt will be displayed, "ARE YOU SURE", "YES" or "NO".
- b. The system will restart at a POWER UP STATUS.
- c. "INITIALIZATION" must be performed.



06pc194ma



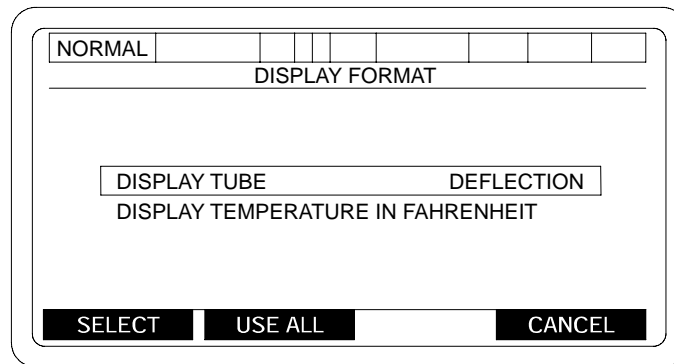
06pc195ma

2-15E PDFCS FIRE MISSION - CONTINUED

2-15E.7 System Menus - Continued

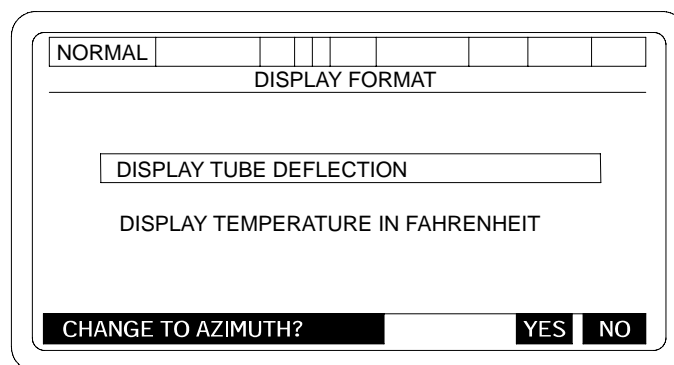
2-15E.7.9 Display Format. This function is used to change the display of the tube position from AZIMUTH to DEFLECTION, and vice versa; or the TEMPERATURE STATUS display from Fahrenheit to Celsius, and vice versa. This display format is changed as follows:

- a. Box in DISPLAY FORMAT on SETUP AND INFORMATION menu and press SELECT key to display a DISPLAY FORMAT screen.



06pc196m

- b. To change deflection, box in DISPLAY TUBE DEFLECTION and press SELECT to display another DISPLAY FORMAT screen.
- c. This screen asks the question: CHANGE TO AZIMUTH/DEFLECTION? Press the appropriate soft key, YES or NO. This will return the display to the original DISPLAY FORMAT screen.



06pc197m

2-15E PDFCS FIRE MISSION - CONTINUED

2-15E.7 System Menus - Continued

2-15E.7.11 Manual Move Order. When it is necessary to move the howitzer without a move order from the POC, enter the movement data as follows:

- a. Box in MANUAL MOVE ORDER on SETUP AND INFORMATION menu and depress SELECT key to display a MANUAL MOVE ORDER ENTRY screen.
- b. Enter data by boxing in each data field and then typing in desired data. As each field is filled, press ENT key to enter data.
- c. When all data has been entered, press USE ALL key. This will cause the SETUP AND INFORMATION screen to be displayed with MOVE ORD at the top. Press CANCEL key to display the MOVE ORDER screen (STEERTO or EMLACE).

MANUAL MOVE ORDER ENTRY	
EASTING	500000
NORTHING	100
ALTITUDE	0
GRID ZONE	1
HEMISPHERE	NORTH
DEST TYPE	INIT POINT

SELECT USE ALL CANCEL

06pc200m

NOTE

- If the Move Order coordinates are outside the Map Mod, no PDFCS warning message will be issued. All Move Order coordinates should be checked with a map spot, or through some other secondary means to insure they are within the current Map Mod.
- If the Move Order coordinates are in an adjacent Grid Zone, the PDFCS will automatically convert these coordinates to the Map Mod Grid Zone. Once the STEER TO screen is displayed, the entered coordinates will be converted to the Map Mod Grid Zone. If a map spot is performed, the Map Mod Grid Zone will need to be extended into the adjacent Grid Zone.
- If Destination Type is to a FIRING POINT, Operator must input SECTOR OF FIRE prior to inputting a Manual Move Order.

2-15E PDFCS FIRE MISSION - CONTINUED

2-15E.7 System Menus - Continued

- Destination Types are: LOG POINT (for resupply), INIT POINT (for survey control point) and FIRE POINT.
- If DO NOT MOVE was on the screen before you start this move, the PDFCS will notify BCS that the howitzer is moving.

2-15E.7.12 GPS Control. Used to enhance positioning. The POC will instruct you when to use GPS Control.

NOTE

Use according to unit SOP.

- Select either USE GPS AIDING or USE ONLY CODED GPS DATA.
- You will receive the following operator prompts.

NORMAL							
GPS CONTROL							
USE GPS AIDING						YES	
USE ONLY CODED GPS DATA						YES	
SELECT		USE ALL			CANCEL		

06pc201m

OPERATOR PROMPTS (ON SOFTKEY LINE):

1. WHEN GPS AIDING SELECTED:

USE GPS AIDING?	YES	NO
-----------------	-----	----

2. WHEN USE ONLY CODED GPS DATA SELECTED:

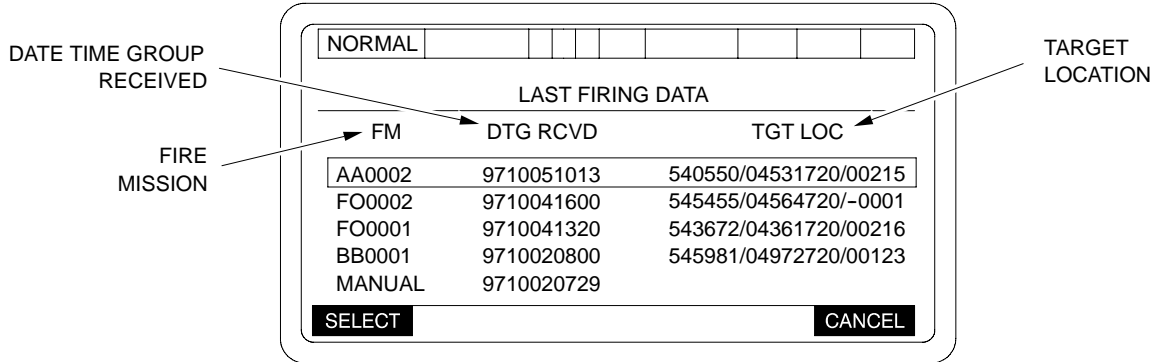
USE ONLY CODED GPS?	YES	NO
---------------------	-----	----

NOTE: VALUES SHOWN ARE SYSTEM SUPPLIED DEFAULTS.

2-15E PDFCS FIRE MISSION - CONTINUED

2-15E.7 System Menus - Continued

2-15E.7.12.1 Last Firing Data.

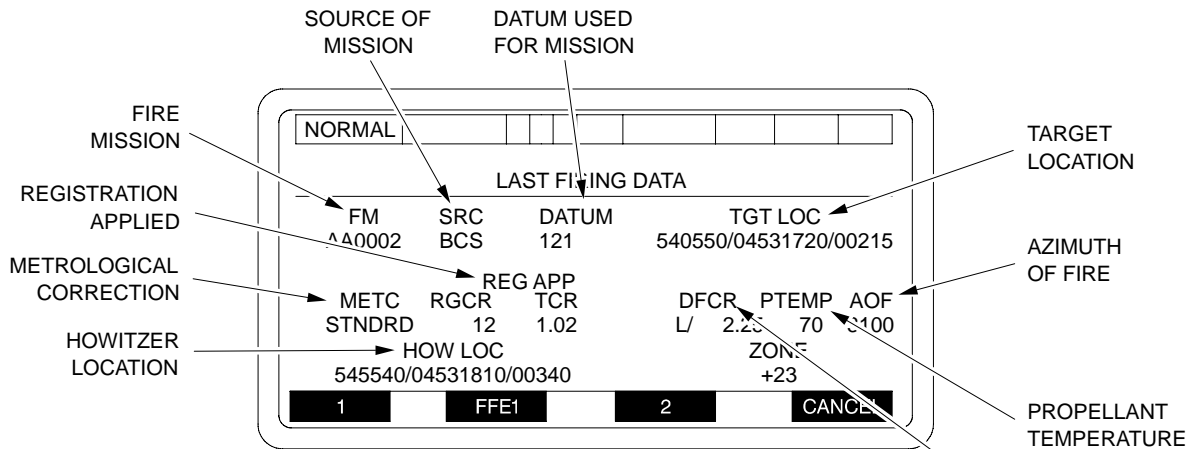


SELECT : View firing data for a particular target

CANCEL : Return to SETUP AND INFORMATION menu

Mission data displayed in order from latest received to earliest

06pc146t



NOTE

ADJ if an Adjust Mission exists; otherwise BLANK
 If ADJ, pressing softkey allows view of pre-shot data for ADJUST phase.

FFE2 if an FFE2 Mission exists; otherwise BLANK
 If FFE2, pressing softkey allows view of pre-shot data for FFE2 phase.

FFE1 : View pre-shot data for FFE1 phase

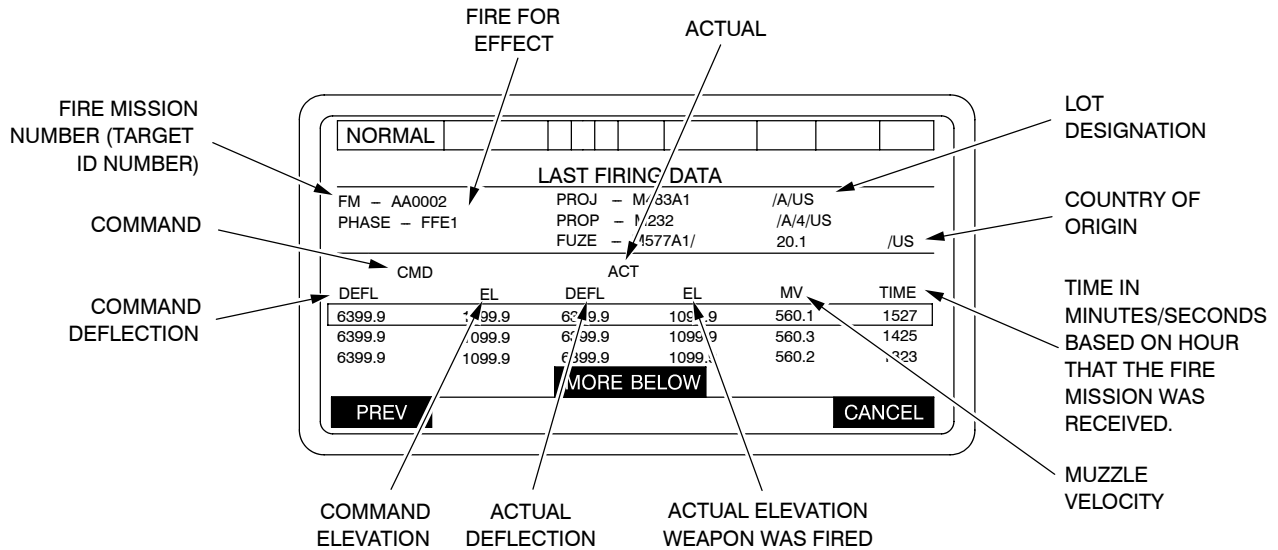
CANCEL : Return to LAST FIRING DATA menu

06pc147t

2-15E PDFCS FIRE MISSION - CONTINUED

2-15E.7 System Menus - Continued

2-15E.7.12.1 Last Firing Data - Continued



- PREV** : Returns previous screen for viewing pre-shot data of different phase
- CANCEL** : Return to LAST FIRING DATA menu

06pc148ta

NOTE

If more than four shots exist for a particular phase, three will initially be displayed and scrolling will be enabled. As the cursor is scrolled below the first three, two will be displayed, MORE ABOVE will appear on top of the shot data, and MORE BELOW will appear below the shot data.

2-15E.7.13 Muzzle Velocity. For more accurate firing data when computing ballistics, measured muzzle velocities are entered into the PDFCS. Also, muzzle velocities can be entered as they are measured. This is performed as followed:

WARNING

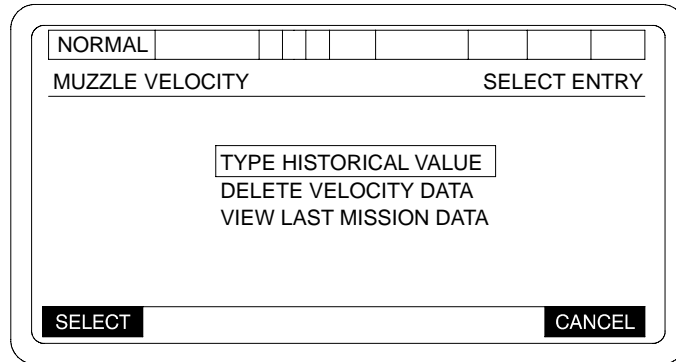
Ensure that correct propellant temperature and shell weights are entered in PDFCS. Failure to comply will result in incorrect ballistic computations. This could result in injury or death to friendly troops.

2-15E PDFCS FIRE MISSION - CONTINUED

2-15E.7 System Menus - Continued

2-15E.7.13 Muzzle Velocity - Continued

- a. Box in MUZZLE VELOCITY on SETUP AND INFORMATION menu and press SELECT key to display a MUZZLE VELOCITY screen.



06pc149t

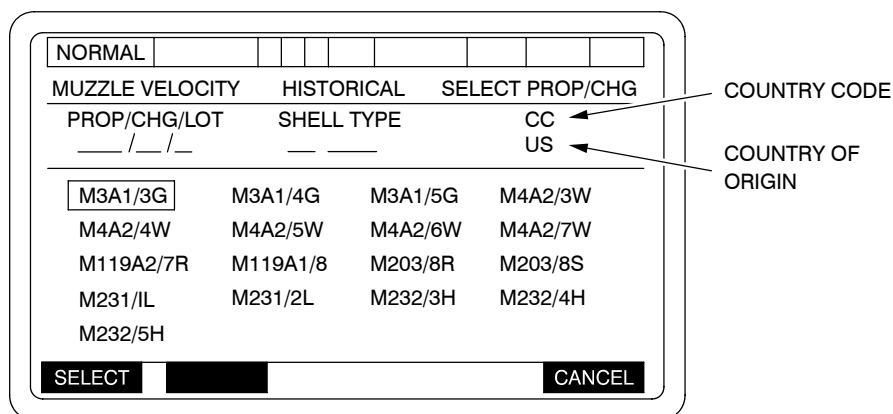
NOTE

Data displayed (PROP TYPE, CHG, SHELL TYPE/LOT, VEL) will be last entered data or default data.

- b. To enter muzzle velocities as they are measured, box in TYPE HISTORICAL VALUE and press SELECT key to display a MUZZLE VELOCITY screen showing PROP/CHG TYPE.

NOTE

The data displayed on the third line of this display is updated as entries are made.



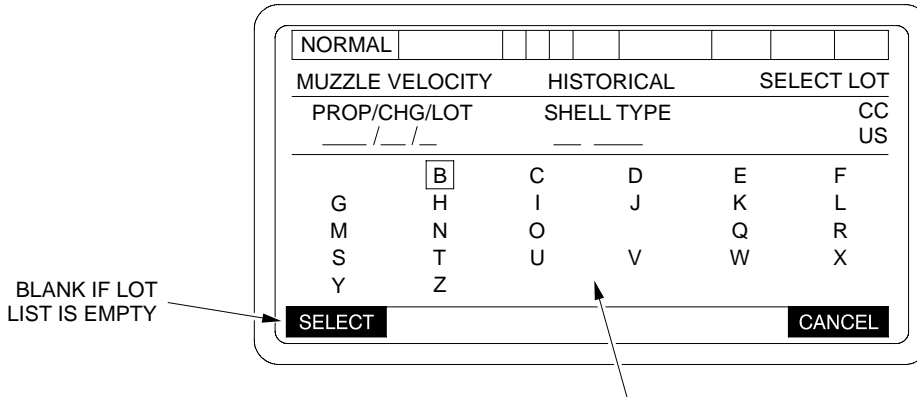
06pc150ta

2-15E PDFCS FIRE MISSION - CONTINUED

2-15E.7 System Menus - Continued

2-15E.7.13 Muzzle Velocity - Continued

- c. Box in PROP/CHG TYPE and press SELECT key. Type selection will be displayed under PROP/CHG TYPE.



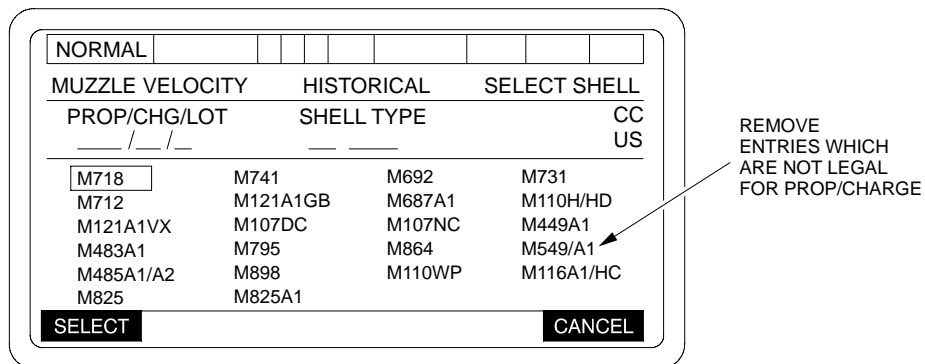
LOTS CORRESPONDING TO SELECTED PROPELLANT TYPE IN AFCS INVENTORY. IF NO LOTS MATCH THEN DISPLAY MESSAGE "NO LOTS MATCH SELECTED PROP TYPE"

SELECT : Will return to MUZZLE VELOCITY SELECT SHELL display

CANCEL : Will return to DISPLAY MUZZLE VELOCITY SELECT PROP LOT display

06pc152t

- d. Box in PROP/LOT and press SELECT. This will select the chosen LOT DESIGNATOR and display the HISTORICAL SHELL TYPE menu.
- e. Select charge, SHELL TYPE/LOT in the same manner as PROP/CHG TYPE. Press CANCEL at any time to return the display to the previous item worked.



CANCEL : Return to DISPLAY MUZZLE VELOCITY SELECT PROP LOT display

SELECT : Will return to MUZZLE VELOCITY ENTER VELOCITY display

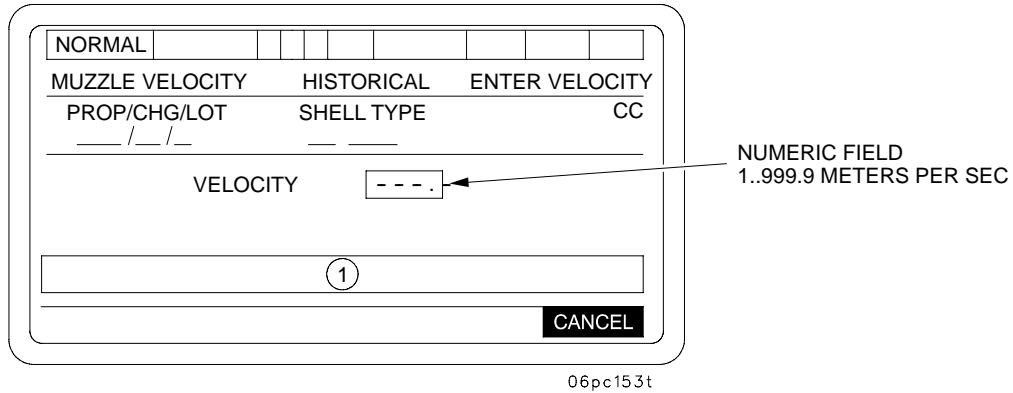
06pc151t

2-15E PDFCS FIRE MISSION - CONTINUED

2-15E.7 System Menus - Continued

2-15E.7.13 Muzzle Velocity - Continued

- e. Enter VELOCITY by typing in measured velocity and pressing ENT key. This will also return the display to the SETUP AND INFORMATION menu.
- f. The muzzle velocities entered as historical are the average velocities calculated during calibration.



① WHEN VELOCITY SELECTED OR WHEN NO PROP TEMP ENTRY ALLOWED:
 TYPE VELOCITY IN M/S
 -PRESS ENT KEY-

NOTE

- If MVV table is full or if more than two entries for a given projectile family/propellant combination are attempted, then a short error message "ERROR-SHELL/PROP LIMIT" will be generated.
- If the computed velocity variance is outside legal limits, then a short error message "ILLEGAL VELOCITY VALUE" will be generated.

2-15E PDFCS FIRE MISSION - CONTINUED

2-15E.7 System Menus - Continued

2-15E.7.13 Muzzle Velocity - Continued

- g. To delete muzzle velocities, box in DELETE VELOCITY DATA from the Muzzle Velocity screen.

A screenshot of a terminal window titled 'Muzzle Velocity'. At the top, there is a header bar with 'NORMAL' on the left and a series of empty boxes on the right. Below the header, the text 'MUZZLE VELOCITY' is on the left and 'SELECT ENTRY' is on the right. The main area of the screen contains three menu options: 'TYPE HISTORICAL VALUE', 'DELETE VELOCITY DATA' (which is highlighted with a rectangular box), and 'VIEW LAST MISSION DATA'. At the bottom of the screen, there are two buttons: 'SELECT' on the left and 'CANCEL' on the right.

06pc207m

- h. To delete muzzle velocity by propellant lot, box in DELETE BY PROPELLANT LOT and press SELECT.

A screenshot of a terminal window titled 'Muzzle Velocity'. At the top, there is a header bar with 'NORMAL' on the left and a series of empty boxes on the right. Below the header, the text 'MUZZLE VELOCITY' is on the left and 'DELETE DATA' is on the right. The main area of the screen contains three menu options: 'DELETE BY PROPELLANT LOT/COUNTRY CODE' (highlighted with a rectangular box), 'DELETE BY PROJECTILE FAMILY', and 'DELETE BY DATE'. At the bottom of the screen, there are two buttons: 'SELECT' on the left and 'CANCEL' on the right.

A screenshot of a terminal window titled 'Muzzle Velocity'. At the top, there is a header bar with 'NORMAL' on the left and a series of empty boxes on the right. Below the header, the text 'MUZZLE VELOCITY' is on the left and 'DELETE BY LOTCC' is on the right. The main area of the screen contains two horizontal input fields, each with a cursor. At the bottom of the screen, there are two buttons: 'SELECT' on the left and 'EXIT' on the right.

06pc154t

Lots are displayed only for those propellants not used in the current ammunition inventory. When SELECT key is pressed, a short error message "DELETE VELOCITY DATA" "YES" "NO" will be shown and CANCEL will be displayed on initial entry. EXIT will be displayed once a lot has been deleted. Selecting YES causes the velocity data for the selected propellant lot to be deleted. Selecting NO allows re-selection of a propellant family. When data is being retrieved and sorted you will receive the following message:

"RETRIEVING LIST PLEASE WAIT"

If no lots are available for deletion, the SELECT key will be blanked. You will have a CANCEL at soft key 4 and the message "NO LOTS TO DELETE" will be displayed.

2-15E PDFCS FIRE MISSION - CONTINUED

2-15E.7 System Menus - Continued

2-15E.7.13 Muzzle Velocity - Continued

- i. To delete muzzle velocity by projectile family, box in DELETE BY PROJECTILE FAMILY and press SELECT.

06pc155t

When the SELECT key is pressed, a short error message “DELETE VELOCITY DATA” “YES” “NO” will be shown and CANCEL will be displayed. Selecting YES causes the velocity data to be deleted. Selecting NO allows re-selection. EXIT will be displayed once a projectile family has been deleted.

All family selections shall be displayed on initial entry to this menu. Once a family has been deleted, its selection entry is removed from the menu.

- j. To delete muzzle velocity by the date box in DELETE BY DATE and press SELECT.

06pc211m

NOTE

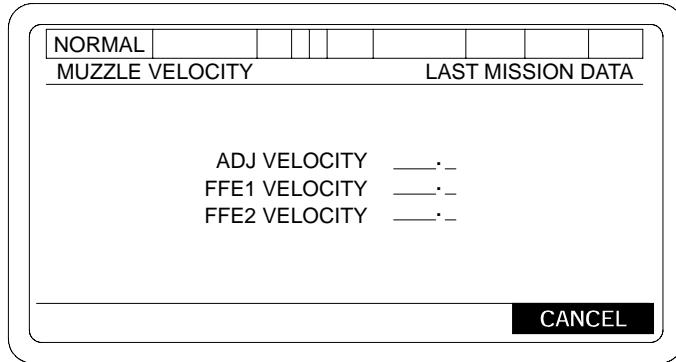
When ENTER key is pressed, a validity check is performed on the entered Date/Time. If the Date/Time data is invalid, you will receive a short error message: “INVALID DATE/TIME DATA” “ACK” You will be required to enter a new Date/Time value. If the Date/Time data is valid, you will receive a short error message: “DELETE VELOCITY DATA” “YES” “NO”. YES causes all velocity data older than the entered DTG to be deleted. NO allows re-entry of the DTG.

2-15E PDFCS FIRE MISSION - CONTINUED

2-15E.7 System Menus - Continued

2-15E.7.13 Muzzle Velocity - Continued

- k. To view last mission velocity data, box in VIEW LAST MISSION DATA from the Muzzle Velocity screen.

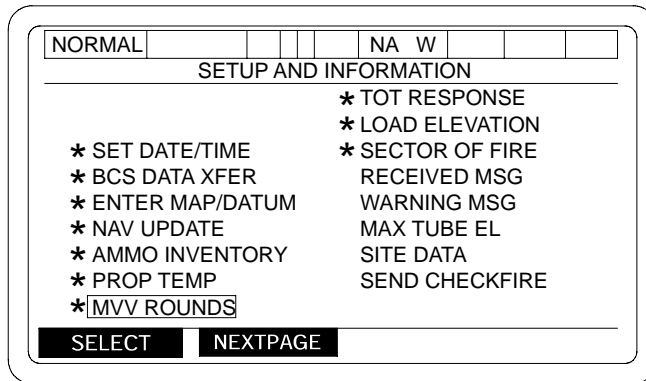


06pc212m

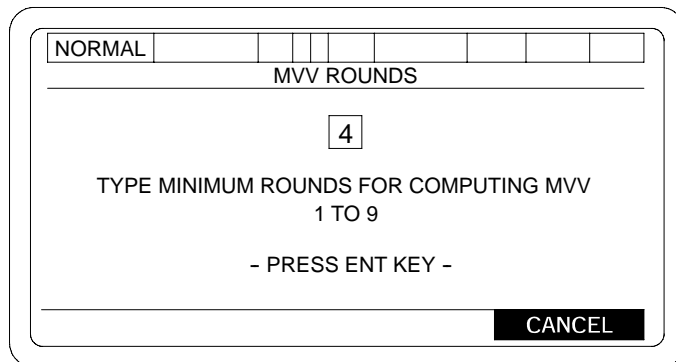
2-15E.7.14 Muzzle Velocity Variance (MVV).

To set the number of rounds that will be used in calculating muzzle velocity variances, select the MVV ROUNDS from the SETUP AND INFORMATION screen.

- NOTE:
1. The entry field will display the current MVV rounds selected and will default to 4 on systems initialization.
 2. To use the MVV, you must have an extended lot code in the PDFCS inventory.



06pc611m



06pc610m

2-15E PDFCS FIRE MISSION - CONTINUED

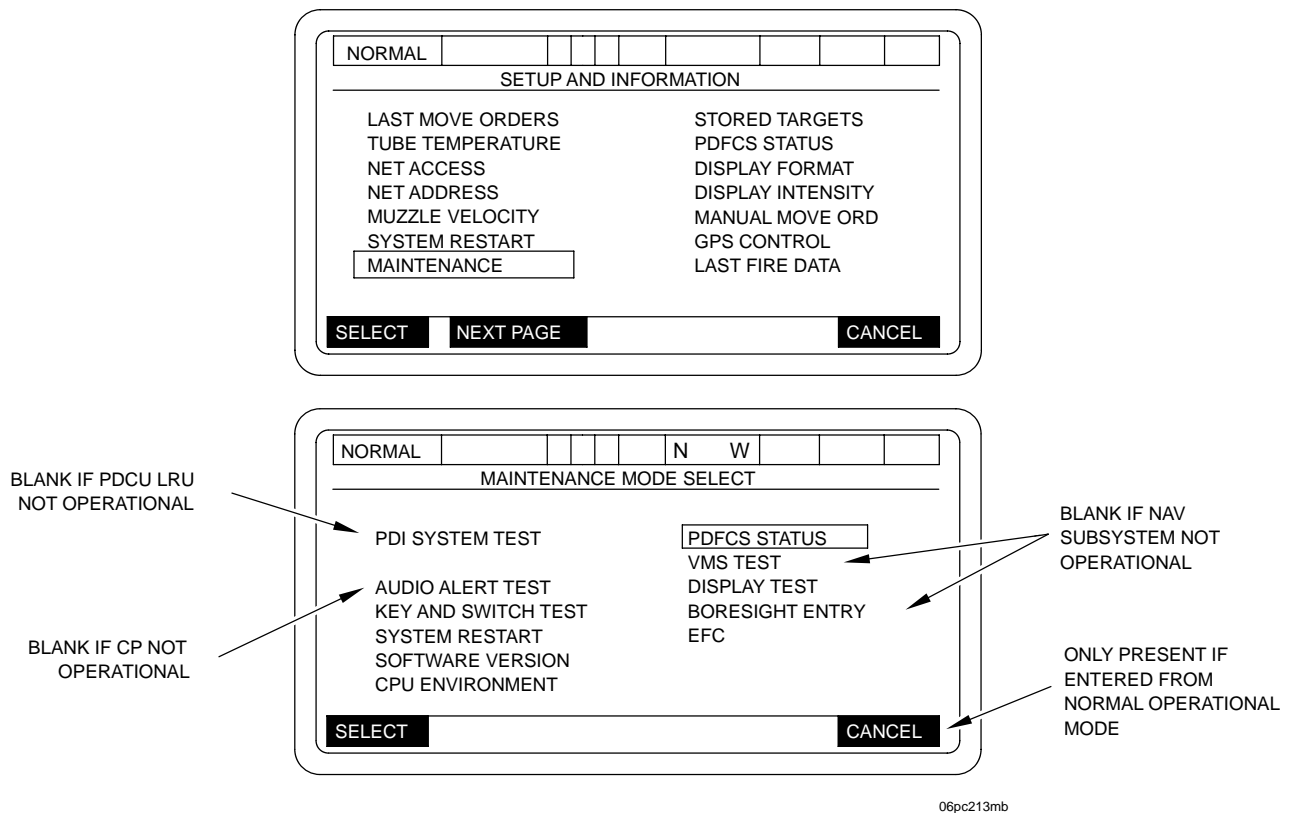
2-15E.7 System Menus - Continued

2-15E.7.15 Operational Maintenance Transition.

The PDFCS will provide the capability for the PDFCS operator to transition from NORMAL OPERATIONAL MODE functions to MAINTENANCE MODE functions and back to NORMAL OPERATIONAL MODE without having to POWER DOWN, perform SYSTEM RESTART, or perform NORMAL OPERATIONAL MODE initialization procedures. This capability will only be available when the PDFCS has successfully completed a NORMAL OPERATIONAL MODE initialization. Selection of the MAINTENANCE MODE from the PDFCS MODE SELECTION display will not allow the PDFCS operator to transition to NORMAL OPERATIONAL MODE without first having to POWER DOWN, perform SYSTEM RESTART, or do a NORMAL OPERATIONAL MODE "INITIALIZATION" procedure.

When MAINTENANCE MODE functions are selected from the PDFCS NORMAL OPERATIONAL MODE, the PDCU will be directed to limit instructive testing to only respond to Fire Mission requests. When MAINTENANCE MODE is entered from the PDFCS SELECT OPERATIONAL MODE display, the PDCU will be allowed to perform its full range of intrusive tests.

If a Fire Mission is received while the PDFCS is in a MAINTENANCE MODE function which was activated from the NORMAL OPERATIONAL MODE, the operator will be prompted to either accept or reject the mission. NORMAL OPERATIONAL acceptance of the mission will automatically terminate all MAINTENANCE MODE function activity and transition to NORMAL OPERATIONAL MODE Fire Mission processing. Operator rejection of the mission will cause an operator ABORT of the Fire Mission and will cause the PDFCS to remain in the currently active MAINTENANCE MODE function.



2-16 PREPARATION FOR FIRING.

NOTE

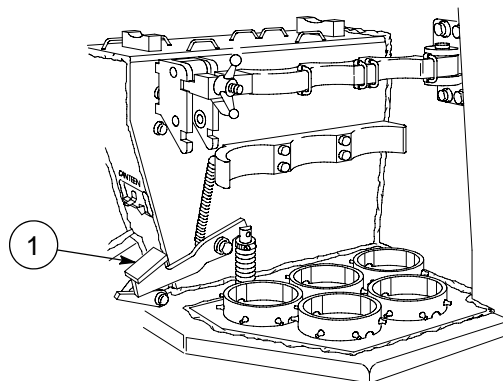
- In the event of a failure of the AFCS/PDFCS, the crew should immediately revert to the optical fire control procedures. For this reason, optical fire control equipment is installed or emplaced as time permits.
- If the AFCS/PDFCS failure occurs after the howitzer has been properly oriented, the PANTEL, collimator, or a distant aiming point is used to lay for direction during indirect fire missions.

2-16.1 Emplacing Howitzer.

- a. Chief of section commands "PREPARE FOR ACTION" and supervises work of all crewmembers during emplacement. Directs placement of ARV, if required.

NOTE

- Spades must be used when firing mated to ARV.
 - Spades should be used when firing off loose, sandy or muddy soils. Spades need not be used when firing off hard surfaces. Chief of section must decide if spades are to be deployed.
 - Once emplaced, howitzer can be fired in any direction. However, it is recommended that vehicle be moved off spades before firing to left or right side of vehicle.
- b. Gunner depresses right and left spade pedal (1) and opens left cab door.

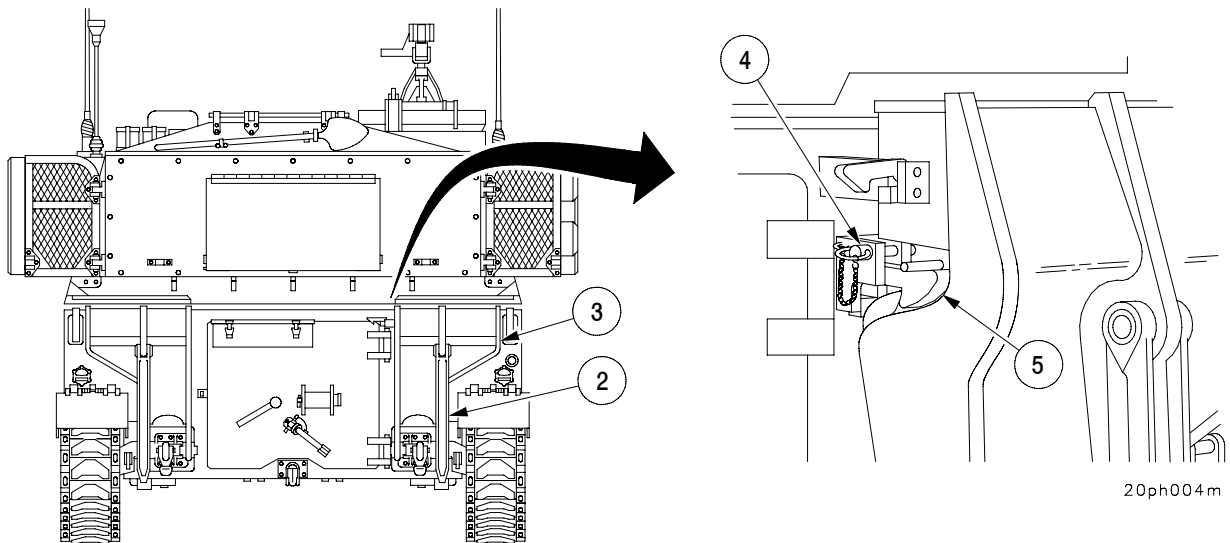


hipc1014

2-16 PREPARATION FOR FIRING - CONTINUED

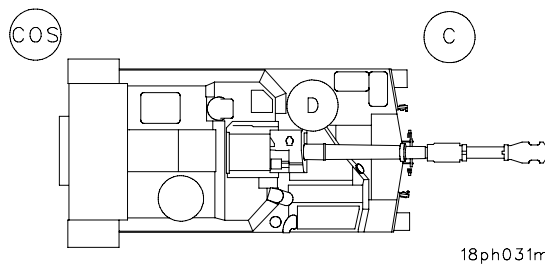
2-16.1 Emplacing Howitzer - Continued

- c. Cannoneer opens hull door, dismounts, and holds door open. Chief of section dismounts and cannoneer closes hull door.
- d. Cannoneer lowers left and right spades as follows:
 - (1) Pull strut (2) loose from spade (3).
 - (2) Remove safety pin (4).
 - (3) Release locking latch (5).
 - (4) Lower spade (3) to ground.



WARNING

When backing vehicle for emplacement or any other reason, two personnel must guide driver.

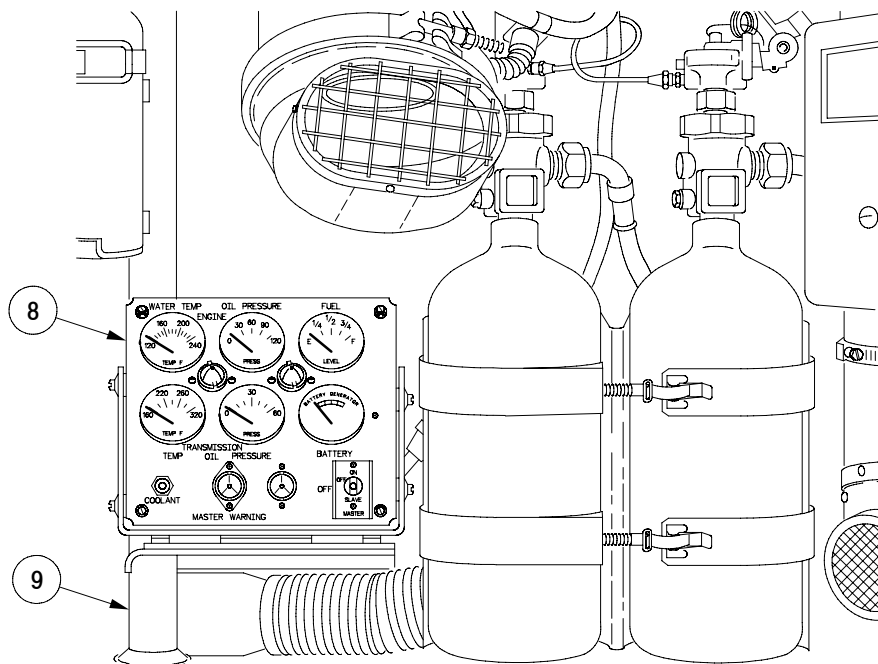
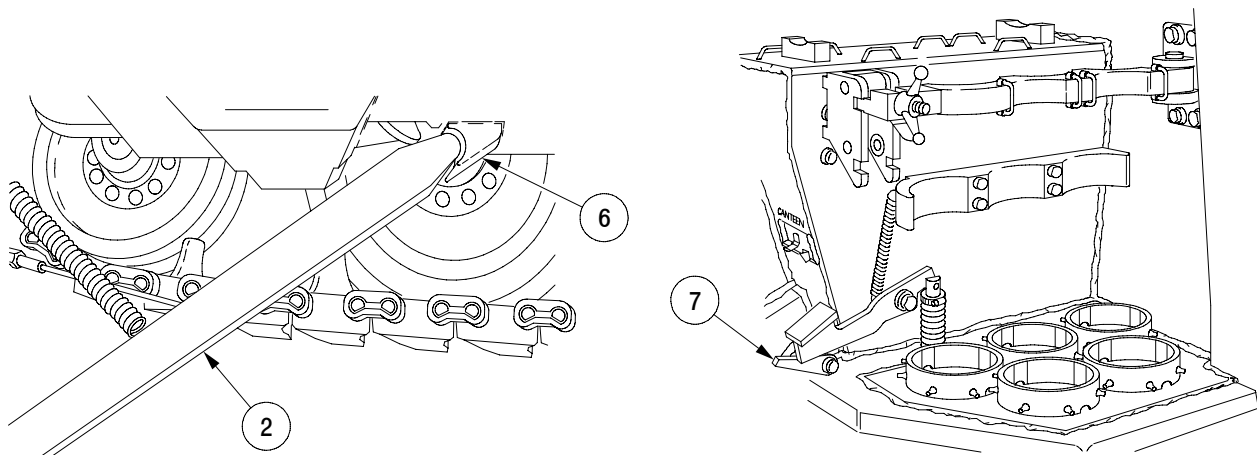


- e. Standing to rear and left of howitzer, the chief of section signals cannoneer on safe backing direction and distance. Cannoneer, standing to left front of vehicle, relays backing directions to driver until spades (3) are emplaced.

2-16 PREPARATION FOR FIRING - CONTINUED

2-16.1 Emplacing Howitzer - Continued

- f. Chief of section checks spade struts (2) to make sure they are in socket (6).
- g. Gunner depresses left and right spade pedal latch (7) to lock struts (2) into sockets (6).
- h. Driver, when directed by chief of section, locks howitzer brakes and follows prescribed shutdown procedures. However, if hydraulic power will be used to elevate and traverse the tube, the engine should be left running.
- i. Howitzer driver passes portable instrument panel (8) to gunner who secures panel in bracket (9) provided. Driver stows wiring harness in hooks over driver's passageway as directed by chief of section.



18ph042m

2-16 PREPARATION FOR FIRING - CONTINUED

2-16.1 Emplacing Howitzer - Continued

- j. Driver disengages travel lock (para 2-8.19).
- k. On driver's command, chief of section places HYDRAULIC POWER switch to ON position and elevates tube (para 2-8.21.4).
- l. After driver lowers and secures travel lock, chief of section depresses tube and places Elevate Control switch in GUNNER position.
- m. Cannoneer removes muzzle cover.
- n. Gunner removes collimator and hands it to cannoneer.
- o. Cannoneer obtains collimator from gunner and places it to left of howitzer.
- p. Gunner releases cab traverse lock, and chief of section places TRAVERSE CONTROL switch in POWER or HANDWHEEL position as desired.
- q. Driver removes rammer staff sections.
- r. Gunner checks functioning of elevation system (para 2-8.21.4).
- s. Cannoneer performs Before Firing checks (PMCS Table 2-1) on rammer and breech. He gets lanyard and vent cleaning tool.
- t. Cannoneer gets swab and bucket of water and fastens bucket to floor.
- u. Cannoneer gets primers and places them in his primer belt.

2-16.2 Laying Howitzer Using M2 Aiming Circle.

NOTE

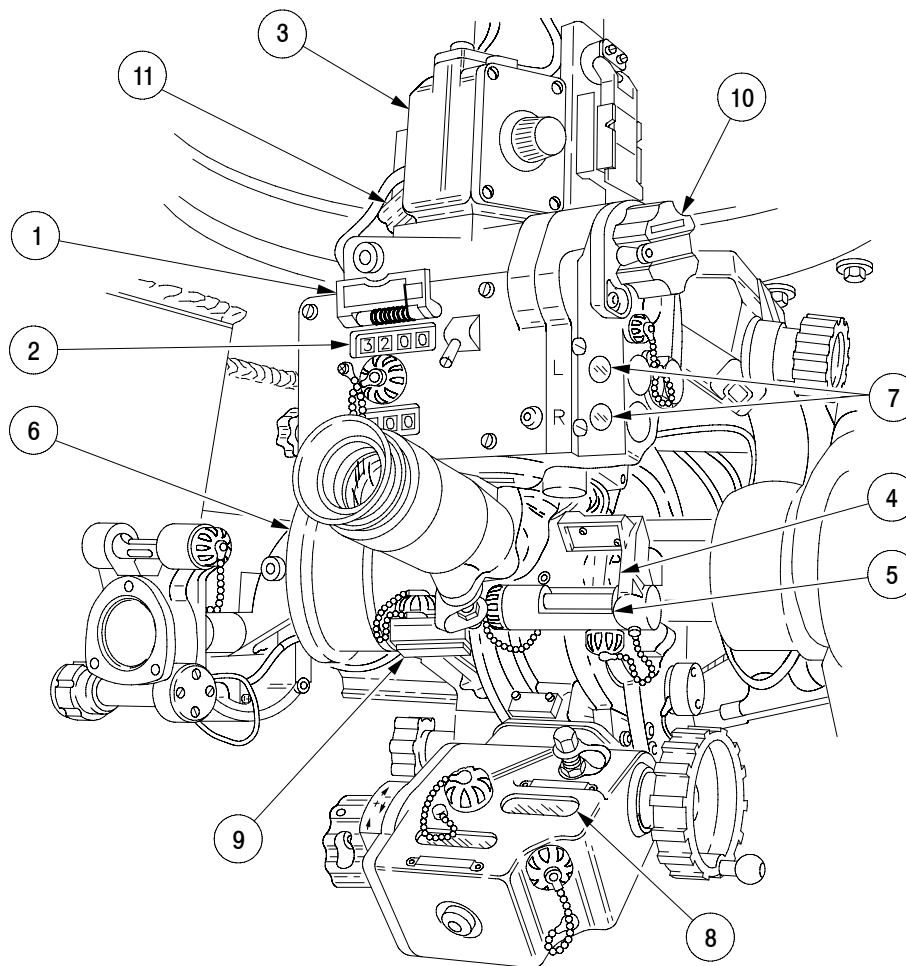
Gunner uses M117A2 PANTEL to lay howitzer for direction only when the AFCS/PDFCS has malfunctioned.

- a. Upon command, "BATTERY ADJUST AIMING POINT THIS INSTRUMENT," gunner lifts door (1) on azimuth counter (2) of PANTEL (3).
- b. Gunner ensures pitch-level vial (4) and cross-level vial (5) bubbles on M145A1 mount (6) are centered and gunner's aid zero correction counter (7) is set at ZERO.
- c. Gunner sets 300 mils on the elevation counter (8) on the M145A1 mount (6), then depresses or elevates tube until quadrant elevation-level vial (9) bubble centers. Ensure that elevation-level vial (9), cross-level vial (5), and pitch-level vial (4) bubbles are centered throughout laying process.
- d. Sighting through PANTEL (3), gunner rotates head by turning azimuth deflection knob (10) until PANTEL vertical hairline is centered on reflector of aiming circle. Horizontal crosshair alignment is obtained by turning elevation knob (11).

2-16 PREPARATION FOR FIRING - CONTINUED

2-16.2 Laying Howitzer Using M2 Aiming Circle - Continued

- e. When PANTEL crosshairs are aligned on aiming circle and all bubbles are level, gunner announces to gunnery sergeant, "NUMBER (SO AND SO), AIMING POINT IDENTIFIED."
- f. Gunnery sergeant determines azimuth reading to howitzer and announces, "NUMBER (SO AND SO), DEFLECTION (SO MUCH)."
- g. Upon announcement of deflection, gunner repeats deflection by announcing, "NUMBER (SO AND SO), DEFLECTION (SO MUCH)," and rotates azimuth deflection knob (10) until announced deflection appears on azimuth counter (2).
- h. Operating traversing mechanism and sighting through PANTEL, gunner traverses weapon until PANTEL crosshairs are centered on reflector of aiming circle, making sure pitch-level vial (4), cross-level vial (5), and elevation level vial (9) bubbles are centered.
- i. Gunner announces to gunnery sergeant, "NUMBER (SO AND SO), READY FOR RECHECK."

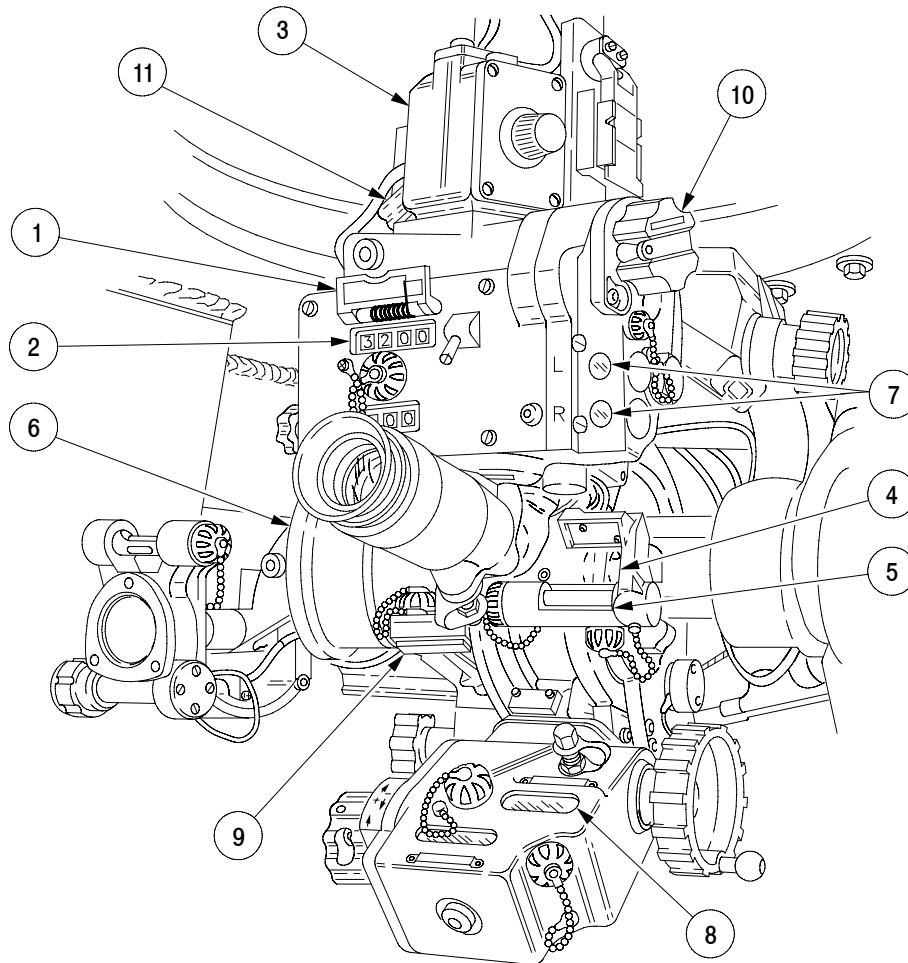


05pc007m

2-16 PREPARATION FOR FIRING - CONTINUED

2-16.2 Laying Howitzer Using M2 Aiming Circle - Continued

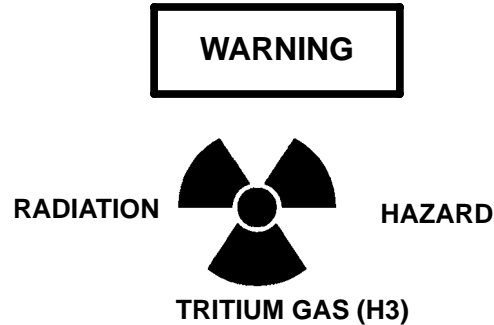
- j. Gunnery sergeant determines a new azimuth reading to howitzer and announces, "NUMBER (SO AND SO), DEFLECTION (SO MUCH)."
- k. Upon announcement of new deflection, gunner repeats deflection and difference between new deflection reading and reading on azimuth counter (2) to gunnery sergeant by saying, "NUMBER (SO AND SO), DEFLECTION (SO MUCH), (SO MANY) MILS."
- l. Gunner rotates azimuth deflection knob (10) until new deflection appears on azimuth counter (2).
- m. Operating traversing mechanism and sighting through PANTEL, gunner traverses the weapon until PANTEL crosshairs are centered on reflector of aiming circle with mount pitch-level vial (4), cross-level vial (5), and elevation level vial (9) bubbles centered.
- n. Gunnery sergeant and gunner repeat recheck steps g thru m until difference between azimuth reading to PANTEL and reading on PANTEL azimuth counter (2) is zero mils. Gunnery sergeant then announces, "NUMBER (SO AND SO) IS LAID."
- o. Upon the command, "LAID", gunner records value appearing on azimuth counter (2). The tube is now oriented for direction and will not be traversed until aiming point is established.



05pc007m

2-16 PREPARATION FOR FIRING - CONTINUED

2-16.3 Emplacing Infinity Aiming Reference Collimator M1A1/M1A2.



The M1A1 collimator is radioactively illuminated and should be checked before using for illumination in low-light environment. If no illumination occurs, notify local radiation safety officer. Do not attempt to repair.

NOTE

- Immediately following alignment and laying operations, emplace M1A1/M1A2 collimator for use in case AFCS/PDFCS fails.
- The M1A1/M1A2 collimator should be emplaced in a concealed position. Placing M1A1/M1A2 collimator between 2400 and 2800 mils minimizes displacement. Emplacement distance away from weapon varies due to type of terrain encountered, but must be within a minimum of 4 meters and a maximum of 15 meters. Optimum distance is between 5 and 12 meters. The M1A1/M1A2 collimator should be emplaced no more than 4 meters above or below PANTEL.

2-16 PREPARATION FOR FIRING - CONTINUED

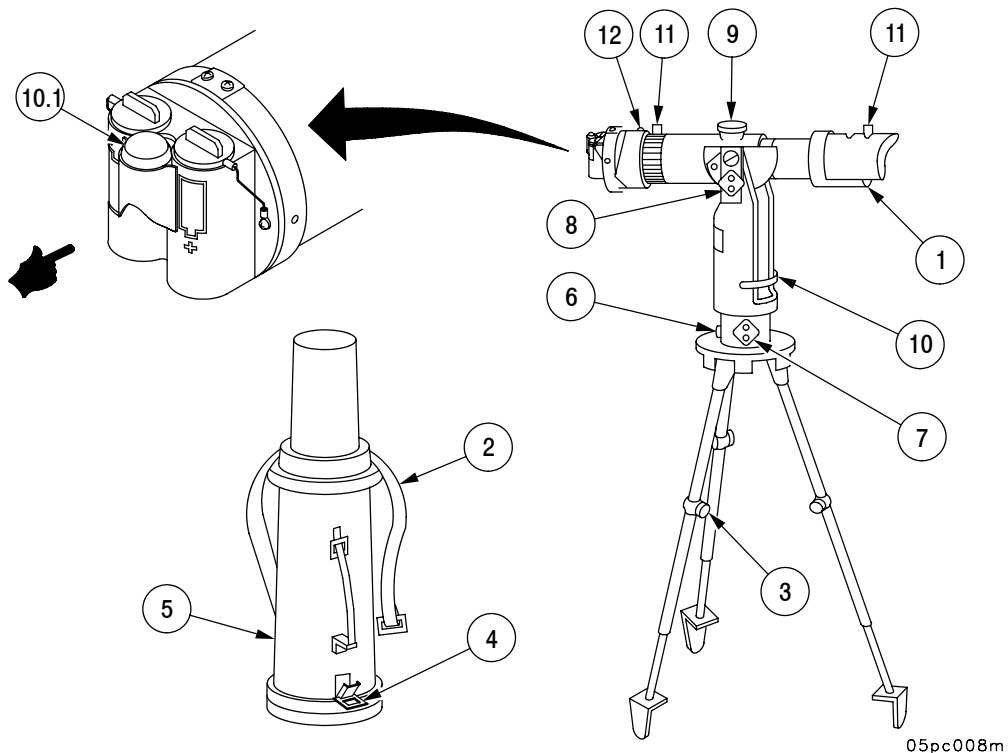
2-16.3 Emplacing Infinity Aiming Reference Collimator M1A1/M1A2 - Continued

- a. Under directions from gunner, M1A1/M1A2 collimator (1) is emplaced by cannoneer as follows:
 - (1) Unfasten strap (2) which retains tripod legs.
 - (2) Rotate tripod legs to down position and set each leg firmly into ground with one leg pointed toward PANTEL.
 - (3) Extend tripod legs as necessary. Lock by tightening locking knob (3).
 - (4) Release three latches (4) from cover (5) and remove cover (5) from tripod base. Place cover underneath collimator, closed end pointing to weapon muzzle.
 - (5) Make sure azimuth adjustment is in center of traversing range by operating the azimuth adjustment knob (6).
 - (6) Loosen azimuth clamping knob (7), elevation clamping knob (8), and cross-level clamping knob (9).
 - (7) Unfasten straps (10). Rotate M1A1/M1A2 collimator (1) to horizontal position and refasten straps (10).

NOTE

M1A2 only has an on/off switch for the light sequence.

- (7.1) Turn switch (10.1) ON.
- (8) Sighting down front and rear sights (11), rough lay M1A1/M1A2 collimator (1) on pantel objective lens. Tighten azimuth clamping knob (7) and elevation clamping knob (8).
- (9) Center cross-level vial bubble (12). Tighten cross-level clamping knob (9).

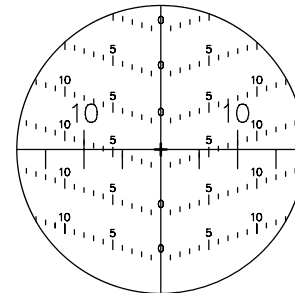
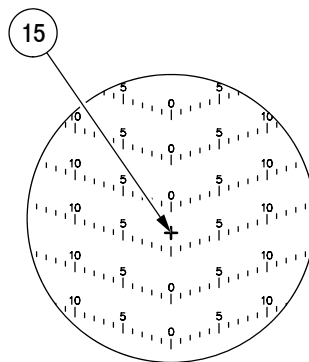
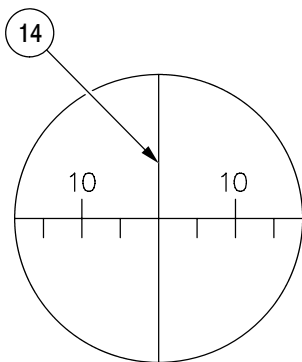


05pc008m

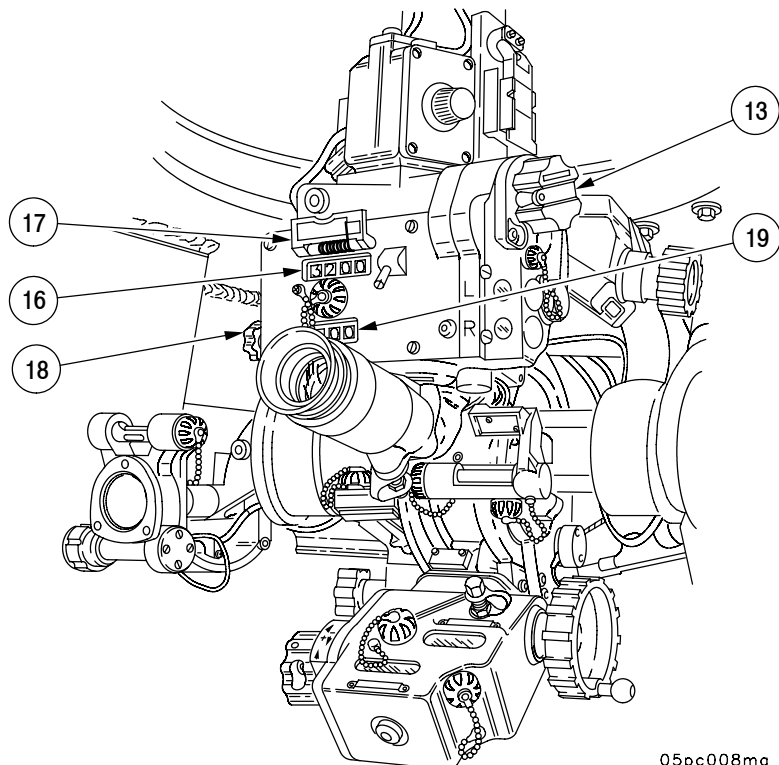
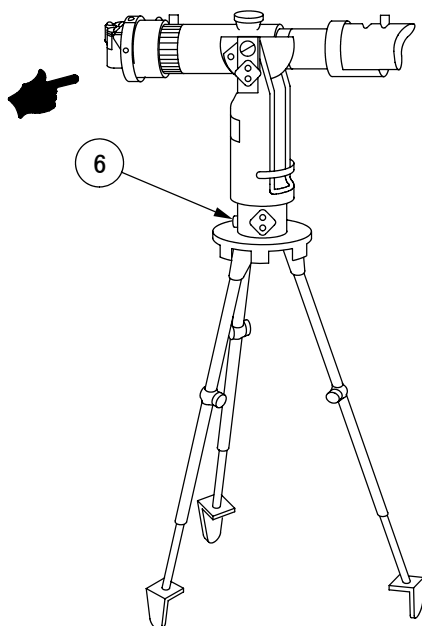
2-16 PREPARATION FOR FIRING - CONTINUED

2-16.3 Emplacing Infinity Aiming Reference Collimator M1A1/M1A2 - Continued

- b. Sighting through PANTEL eyepiece, gunner rotates azimuth deflection knob (13) until M1A1/M1A2 collimator is sighted.
- c. Sighting through PANTEL, gunner commands cannoneer to rotate M1A1/M1A2 collimator azimuth adjustment knob (6) until PANTEL crosshairs (14) are centered with M1A1/M1A2 collimator reticle crosshairs (15). He then motions cannoneer in.
- d. Gunner records value appearing on his azimuth counter (16) and closes door (17).
- e. Gunner rotates reset counter (18) on PANTEL until 3200 appears on reset counter (19).



RETICLE ALIGNED



05pc008ma

2-16 PREPARATION FOR FIRING - CONTINUED

2-16.4 Measuring Site to Crest.

WARNING

Site to Crest information must be entered in AFCS/PDFCS or transmitted to POC/BCS. Failure to enter or send this information will result in an incorrect ballistic computation. This could cause injury or death to friendly troops.

NOTE

Make sure you have established your aiming points.

- a. To measure deflection, gunner levels cross and pitch-level vial bubbles, turns head of telescope to collimator, and records deflection from azimuth counter reset scale.
- b. Chief of section selects highest crest in his sector of fire.
- c. Chief of section sights along bottom part of tube.
- d. Chief of section directs gunner to traverse and elevate tube until bottom of tube just clears crest.
- e. Gunner measures elevation using one of the following methods:

NOTE

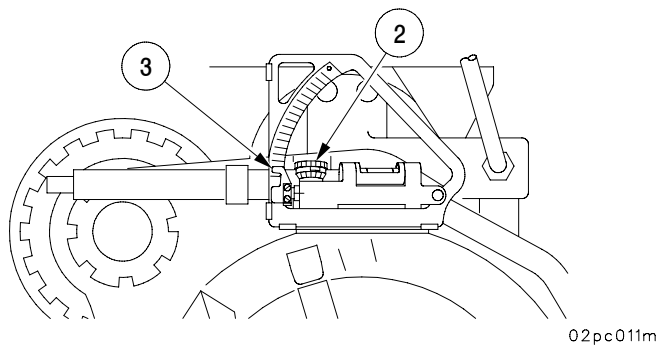
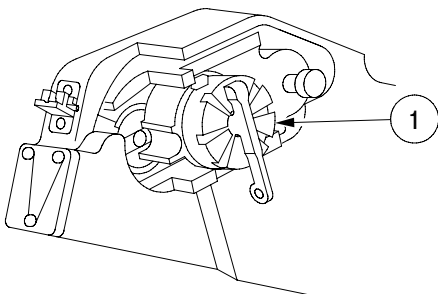
Gunner's quadrant may also be used for measurement of site to crest.

- (1) Chief of section directs gunner to center elevation level vial and read elevation counter.
 - (2) Reads quadrant off of quadrant elevation scale, records this reading, and estimates range to crest (gunner's quadrant may also be used).
 - (3) Reports quadrant and estimated range to platoon leader, "SIR, NUMBER (SO AND SO) SITE TO CREST (SO MUCH) AT (SO MUCH) RANGE."
- f. Chief of section may have gunner measure and record deflection to crest if AFCS/PDFCS is not operating.
 - g. Reports site data to POC.

2-16 PREPARATION FOR FIRING - CONTINUED

2-16.5 Boresighting-Preliminary Procedure.

- a. Make sure howitzer is no more than 90 mils cant.
- b. Remove firing mechanism (1) from breech.
- c. Fasten crosshairs to muzzle at witness marks.
- d. Telescope M117A2 must be installed (para 2-10.2).
- e. Use gunner's quadrant that has been checked by end-for-end test (para 3-10.2) to level trunnions as follows:
 - (1) Set radial arm (3) and micrometer knob (2) to zero.
 - (2) Set quadrant with end-for-end correction applied on crosswise leveling pads.
 - (3) Traverse howitzer until bubble centers (test target only).
- f. Set tube at zero elevation (para 3-10.5).
- g. Center bubbles in pitch-level and cross-level vials of M145A1 mount.



02pc011m

2-16 PREPARATION FOR FIRING - CONTINUED

2-16.6 Boresighting-Test Target Method.

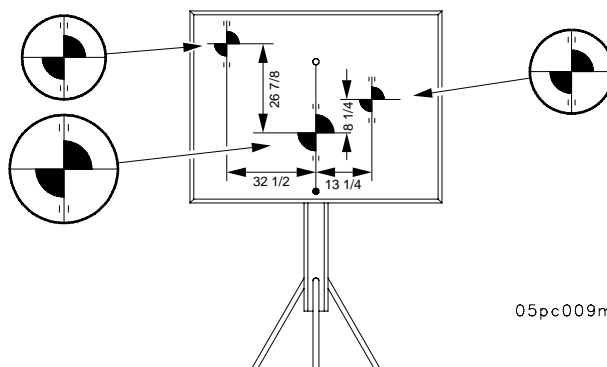
WARNING

This boresighting procedure must be used to check M140/M140A1 alignment device. Failure of M140/M140A1 alignment device reticle to align with reticles of M117A2 could result in projectiles landing outside target area. Firing with misaligned fire control equipment can cause injury or death to friendly forces.

- a. Perform all preliminary procedures (para 2-16.5).
- b. Prepare test target as follows:
 - (1) Fasten it to stand for stability.
 - (2) For boresighting in dark, drill 1/16-inch hole through center of each aiming diagram. Cover holes with piece of cloth. At night, hold flashlight to boresight, against cloth.
- c. Locate testing target 50 meters in front of howitzer.
- d. Without moving tube, align center of aiming diagram with muzzle boresights.

NOTE

- Keep ballistic cover perpendicular to line of sight. After you have aligned reticles, you may rotate ballistic cover away from perpendicular and then return it. You can tell if you have established correct positioning if reticles are within ± 0.5 mil tolerance. If reticles are separated by more than ± 0.5 mil displacement, ballistic cover needs to be moved more toward perpendicular.
- Measurements do not appear on test target. They are shown in case it is necessary to make test target.



2-16 PREPARATION FOR FIRING - CONTINUED

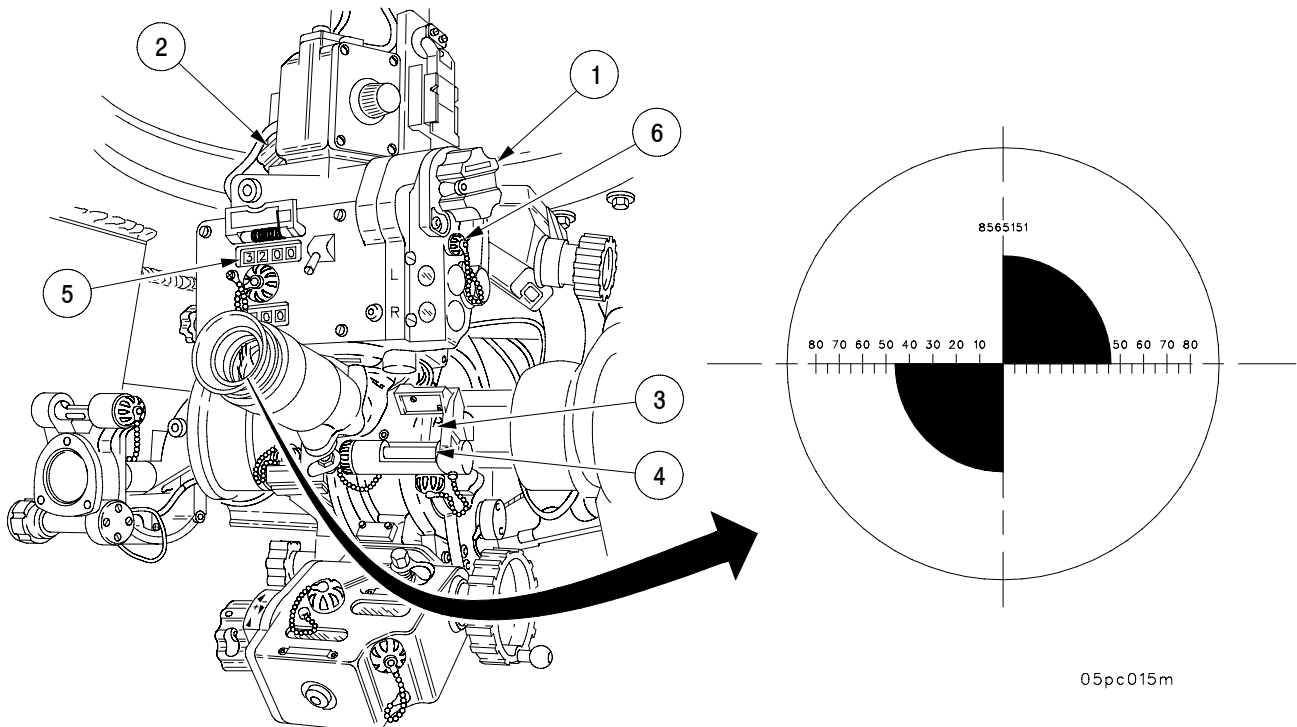
2-16.6 Boresighting-Test Target Method - Continued

- e. Adjust azimuth deflection knob (1) and elevation knob (2) on M117A2 to lay reticle precisely on left aiming diagram on test target.
- f. Check that muzzle crosshairs are still centered on aiming diagram.
- g. Check pitch-level vial (3) and cross-level vial (4) bubbles to be sure telescope mount is level.

NOTE

When viewing through PANTEL, parallax may occur if ballistic cover assembly is rotated. Ballistic cover assembly must be kept perpendicular to line of sight to keep parallax at a minimum.

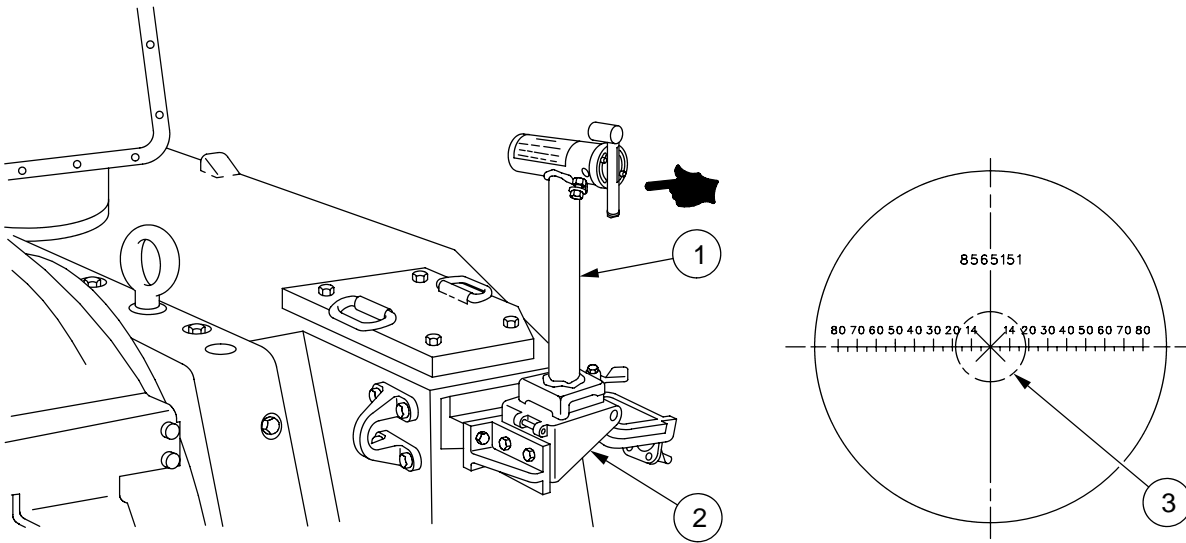
- h. Azimuth counter (5) should read 3200 mils. If it does not, remove cover (6) from boresight detent shaft. Insert small screwdriver and depress detent shaft. Turn shaft until 3200 mils appears in azimuth counter window (5). Recheck sight picture to be sure telescope is still in boresight.
- i. Howitzer is now boresighted.



2-16 PREPARATION FOR FIRING - CONTINUED

2-16.7 Checking M140/M140A1 Alignment Device While Boresighting on Test Target.

- a. Align cannon and M117A2 PANTEL on test target (para 2-16.6).
- b. Remove alignment device (1) from stowage and protective cover from mounting adapter (2).
- c. Inspect mating surfaces for burrs. Wipe mating surfaces clean. If mounting adapter has burrs, notify unit maintenance.
- d. Install M140/M140A1 alignment device (1) on mounting adapter (2).
- e. Check alignment of M140/M140A1 alignment device reticle (3) against reticle of M117A2 PANTEL laid on lefthand butterfly of test target. Reticles should align within 0.5 mil.
- f. If M140/M140A1 alignment device does not align with telescope reticles, notify unit maintenance.



05pc010m

2-16 PREPARATION FOR FIRING - CONTINUED

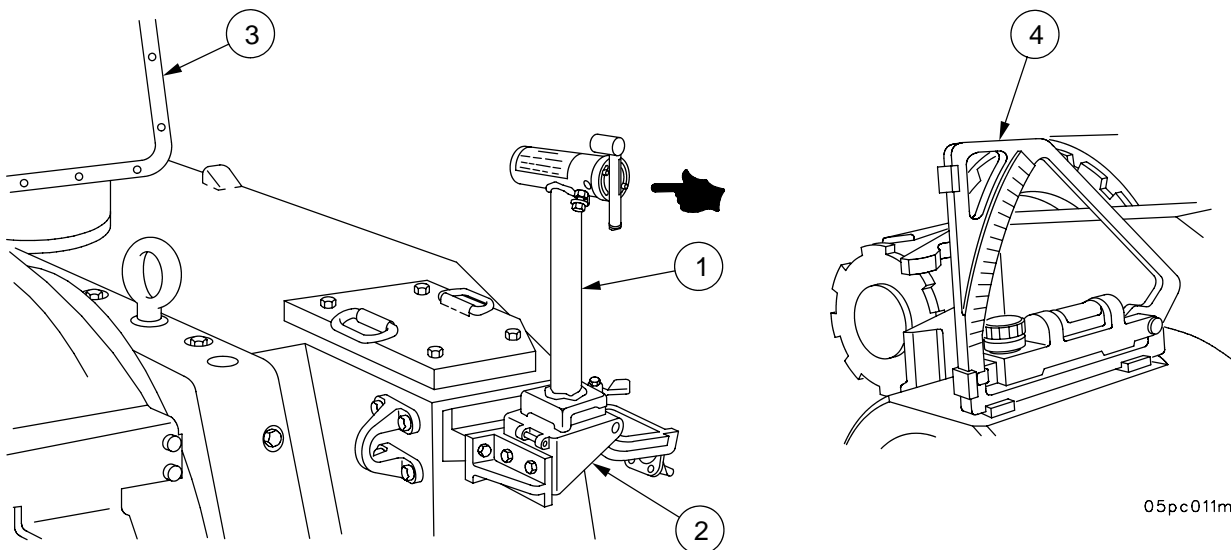
2-16.8 Checking Boresight of M117A2 Using M140/M140A1 Alignment Device.

- Remove M140/M140A1 alignment device (1) from stowage and protective cover from mounting adapter (2).
- Inspect mating surfaces for burrs. Wipe mating surfaces clean. If mating surfaces have burrs, notify unit maintenance.
- Install M140/M140A1 alignment device (1) on mounting adapter (2).

NOTE

During boresight check of PANTEL, parallax may occur between PANTEL and M140/M140A1 alignment device. This may happen as ballistic cover is rotated away from perpendicular to line of sight of PANTEL. Ballistic cover should be kept perpendicular to M140/M140A1 alignment device during boresighting to minimize this problem. Tolerance is ± 0.5 mils.

- Position ballistic cover (3) perpendicular to M140/M140A1 alignment device (1) to eliminate error that may be induced by glass being turned at an angle.
- Place M1/M1A1 gunner's quadrant (4) on breech pads and elevate or depress gun tube to zero mils elevation. Make sure cannon tube and gunner's quadrant (4) corrections are applied when depressing or elevating gun tube (para 3-10.5).

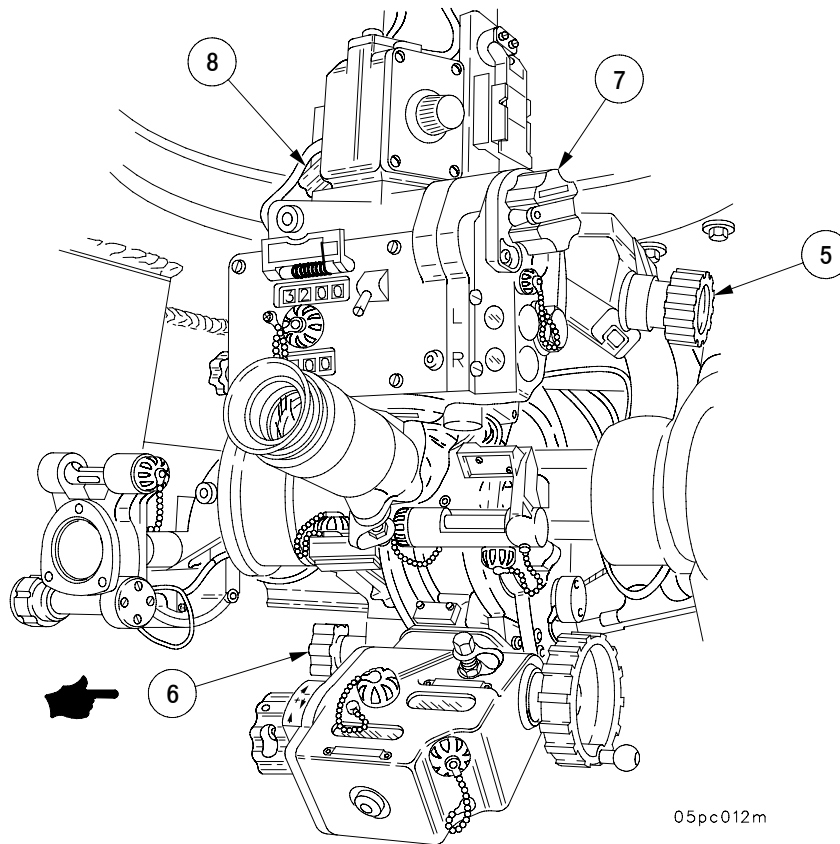


05pc011m

2-16 PREPARATION FOR FIRING - CONTINUED

■ 2-16.8 Checking Boresight of M117A2 Using M140/M140A1 Alignment Device - Continued

- f. Align scribed lines on cross-level knob (5) and pitch knob (6) of M145A1 mount.
- g. To make sure PANTEL M117A2, M145A1 mount, and alignment device M140/M140A1 are properly aligned, make the following additional check:
 - (1) Rotate pitch knob (6) and cross-level knob (5) of M145A1 mount in a clockwise direction.
 - (2) Positions of knobs will be correct when upper end of gear sector driven by pitch knob (6) and right end cross-level knob (5) are in "nearest to flush position" in relation to adjacent casting.
 - (3) If mount is not correctly aligned, there will be excessive cutoff when viewing alignment device through PANTEL.
- h. Align PANTEL crosshairs with alignment device using PANTEL azimuth deflection knob (7) and elevation knob (8).



2-16 PREPARATION FOR FIRING - CONTINUED

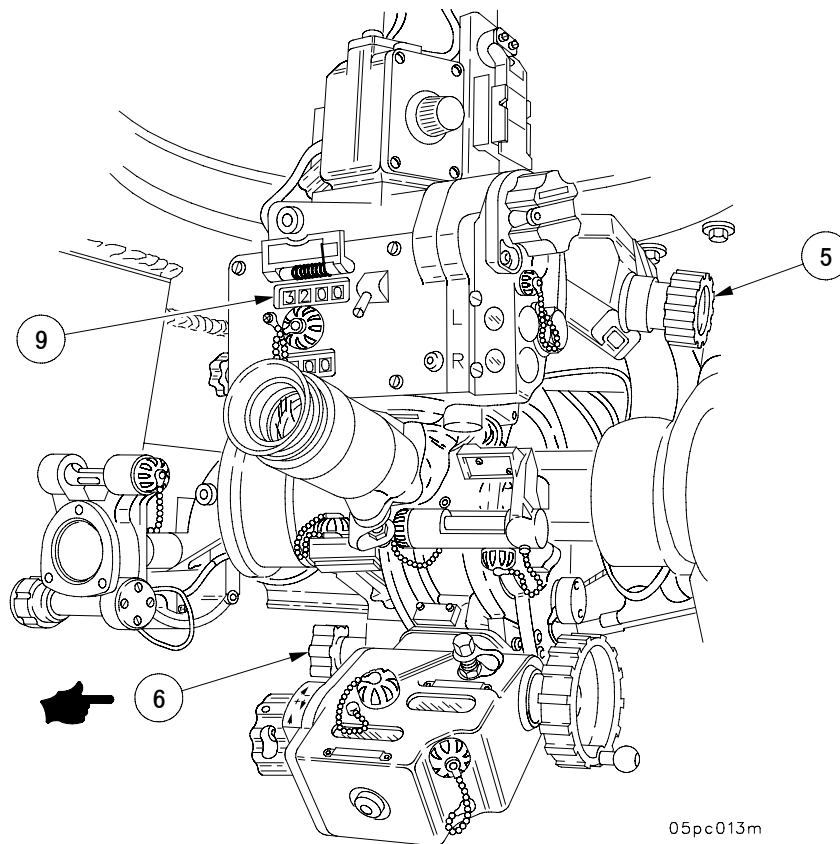
2-16.8 Checking Boresight of M117A2 Using M140/M140A1 Alignment Device - Continued

- i. With PANTEL reticle aligned with alignment device, and pitch knob (6) and cross-level knob (5) scribed lines aligned, azimuth counter (9) should read 3200 mils.

NOTE

After verifying accuracy of M140/M140A1 alignment device, if PANTEL azimuth counter exceeds tolerance of ± 0.5 mils, boresighting must be conducted using test target or distant aiming point before weapon can be fired.

- j. If azimuth counter (9) reading is 3200 mils ± 0.5 mil, weapon is boresighted. If not, conduct M140/M140A1 alignment device comparison test (para 2-16.9).



2-16 PREPARATION FOR FIRING - CONTINUED

2-16.9 Comparison Test of M140/M140A1 Alignment Device.

NOTE

Comparison test of M140/M140A1 alignment device is performed to identify any device that has been bent or damaged due to accident or mishandling. Reference to azimuth counters pertains to M117A2 panoramic telescope only.

Perform test as follows:

NOTE

When viewing through PANTEL, parallax may occur if ballistic cover assembly is rotated. Ballistic cover assembly must be kept perpendicular to line of sight to keep parallax at a minimum.

- a. Check boresight using M140/M140A1 alignment device.
- b. Install second M140/M140A1 alignment device. Without moving position of telescope, view through eyepiece. If crosshairs on telescope and M140/M140A1 alignment device align, you have verified accuracy of M140/M140A1 alignment device.

NOTE

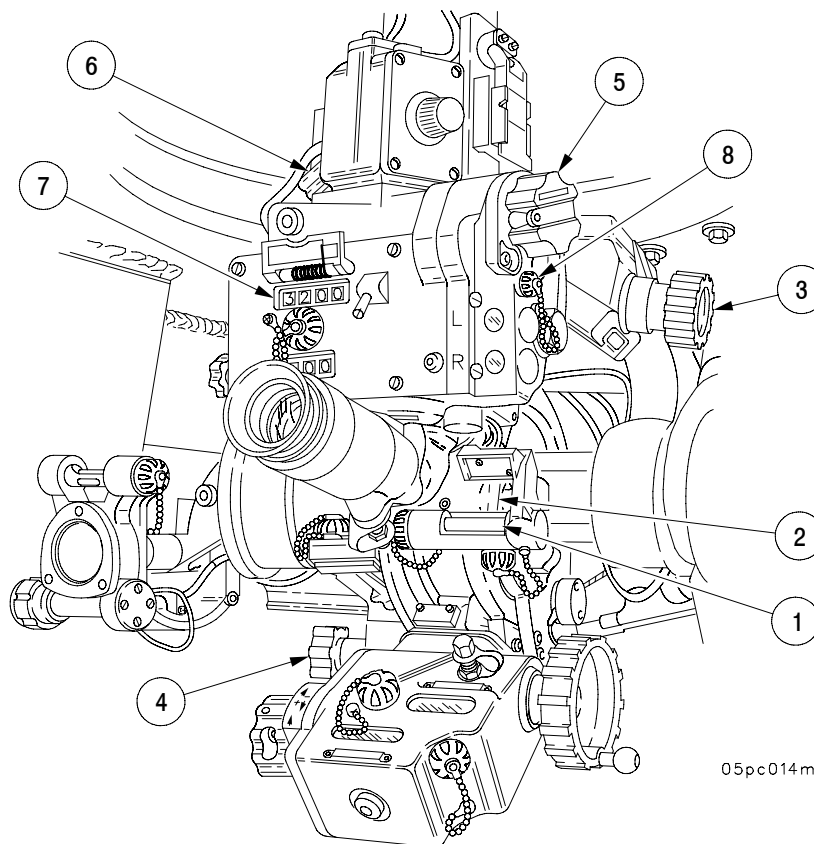
Correct azimuth reading is 3200 mils.

- c. If crosshairs on telescope and second M140/M140A1 alignment device do not align, or if azimuth counter reading is not correct after crosshairs are aligned, one of two M140/M140A1 alignment devices is unserviceable.
- d. To determine which M140/M140A1 alignment device is unserviceable, obtain third M140/M140A1 alignment device and check boresight of weapon again.
- e. Without changing azimuth reading, install each of the other two M140/M140A1 alignment devices. The M140/M140A1 alignment device on which crosshairs will not align with telescope crosshairs is defective. Turn in M140/M140A1 alignment device to unit maintenance for repair.

2-16 PREPARATION FOR FIRING - CONTINUED

2-16.10 Boresighting - Distant Aiming Point Method.

- a. Perform preliminary procedures (para 2-16.5). Tube must not have more than 90 mils cant.
- b. Select aiming point with sharply defined right angle which is at least 1500 meters from the weapon.
- c. Close breech, slide firing mechanism follower to right. Look through primer vent hole in breech and elevate and traverse tube until muzzle crosshairs are on the upper left-hand corner of distant aiming point.
- d. Center cross-level vial (1) and pitch-level vial (2) bubbles by turning cross-level knob (3) and pitch-level knob (4).
- e. Rotate azimuth deflection knob (5) and elevation knob (6) on M117A2 mount to lay PANTEL reticle on left edge of aiming point.
- f. Now check that muzzle crosshairs are still on left-hand corner of aiming point.
- g. Azimuth counter (7) should read 3200 mils. If it doesn't, remove cover (8) from boresight detent shaft, insert small screwdriver and depress detent shaft. Turn until 3200 mils appears in azimuth counter (7). Recheck sight picture to be sure PANTEL is still in boresight.



2-16 PREPARATION FOR FIRING - CONTINUED

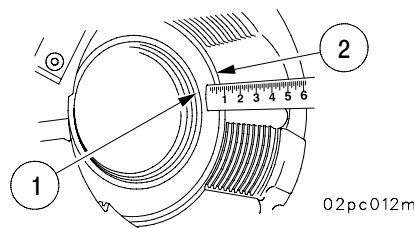
2-16.11 Pre-Fire Checks.

2-16.11.1 Tube. Must be clear and dry with no visible damage or foreign matter present.

WARNING

If either of these checks are not right, do not fire. The cannon may blow up, causing severe injury or death to personnel. Notify unit maintenance. If you have a new or retubed cannon, check the following before initial firing.

- Make sure rear face of gun tube (1) is flush with forward shoulder of breech ring (2).
- Measure distance from rear face of cannon tube (1) to rear breech ring. Distance cannot be more than 5 inches (127.0 mm).

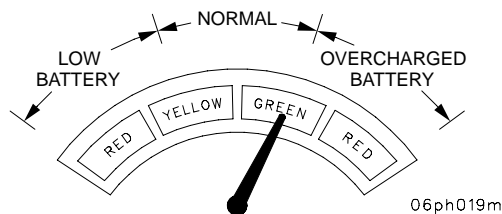


2-16.11.2 Low Voltage Checks.

NOTE

Check battery voltage frequently during firing operations when engine is not running. Prolonged use of vehicle system will lower battery voltage.

- Check BATTERY-GENERATOR indicator for low battery charge.
- If voltage reading goes into yellow zone at any time during operation, idle engine at 1000 rpm.
- If voltage reading remains in yellow zone, verify that voltage regulator circuit breaker is in the ON position.
- If system fails or does not otherwise operate normally, notify unit maintenance to check/replace batteries.
- If BATTERY-GENERATOR indicator does not indicate LOW BATTERY, continue with normal operation.



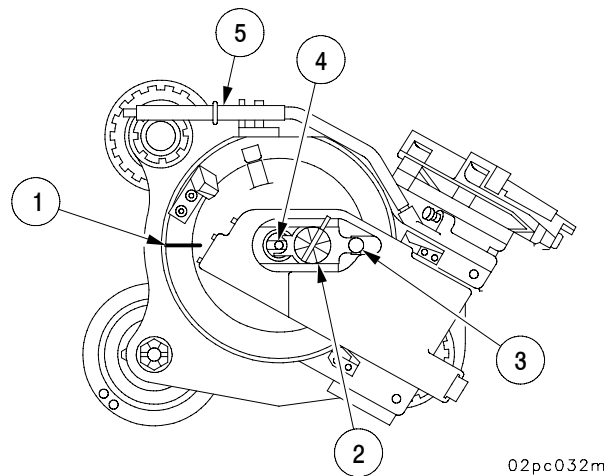
2-16 PREPARATION FOR FIRING - CONTINUED

2-16.11 Pre-Fire Checks - Continued

WARNING

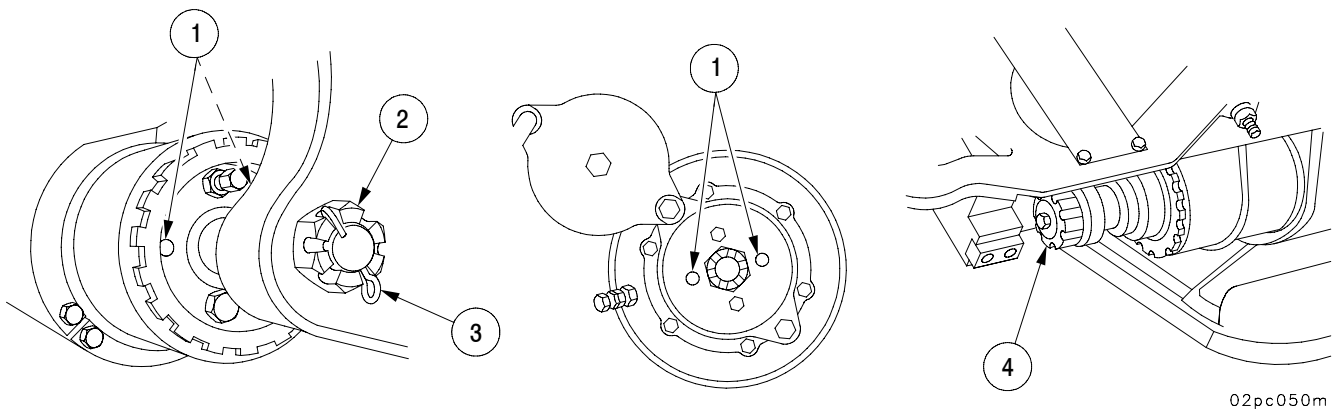
Do not fire without follower assembly. This will result in injury to personnel.

2-16.11.3 Breech. Witness marks (1) must align when breech is closed. Firing mechanism (2), block assembly (3), and firing pin (4) serviceable. Primer vent (4) clean and breech operating handle (5) securely latched forward.



2-16.11.4 Rammer. Make reliability check of rammer (para 3-8.3).

2-16.11.5 Recoil System. Index guide pins (1) must not extend more than 3/4 in. or less than 1/4 in. Recuperator locking nut (2) and cotter key (3) must be properly installed. Recoil locking nut (4) must be properly installed. Replenisher pressure must be correct (17-24 psi) (Appendix I).



2-16 PREPARATION FOR FIRING - CONTINUED

2-16.12 * Loading 155MM Cannon.

WARNING

All crewmembers must be familiar with misfire procedures (para 2-19) before loading howitzer for firing to prevent serious injury or death to personnel.

- a. When fire mission is announced, chief of section indicates aiming point reference to gunner (collimator, DAP) and repeats fire mission to crew.

WARNING

- Dirt or grease left on projectile rotating band could cause failure of projectile to seat properly on ramming. Firing an unseated projectile could cause an inbore explosion, resulting in INJURY or DEATH to personnel.
- Upon announcement of fire mission, cannoneer must make sure that ventilation blower is on INTAKE to prevent smoke from entering the cab during all firings.

CAUTION

Be careful when placing ammunition in hull to prevent damage to rotating band.

- b. The cannoneer verifies, cleans and inspects type of projectile to be fired. He examines rotating band to see that it is free from dirt and burrs. Then he stands projectile in upright position for fuzing. For preparation of M712 projectiles (copperhead), refer to para 5-25.

Standardized procedures for firing drills are identified with an asterisk () preceding the title.

2-16 PREPARATION FOR FIRING - CONTINUED

2-16.12 Loading 155MM Cannon - Continued

WARNING

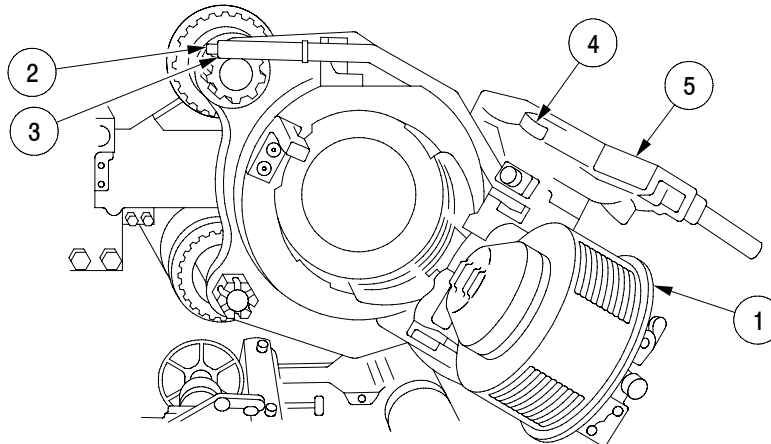
Do not load or fire artillery ammunition without authorized fuze or fully seated fuze. Firing of such rounds without fuzes, fully seated fuzes, or unauthorized fuzes could result in inbore prematures and other hazardous conditions causing serious injury or death to personnel.

- c. Cannoneer removes lifting plug and inspects fuze well for rust, dirt, or leaking filler. He removes supplementary charges (para 5-10.3), if required, and fuzes projectile (para 5-10.4). He sets fuze for desired fuze action (i.e., SQ, D or time). When directed, cannoneer reads and announces time set on fuze.
- d. Gunner prepares propellant charge (para 5-8.2).

WARNING

Never forget to put operating handle back to stowed position. Make it a practice never to let go of operating handle until you return it to stowed position. If left down while closing breechblock, it can cause serious injury to personnel.

- e. Cannoneer opens breechblock (1) (first round only) by depressing operating handle detent plunger (2) and pulling operating handle (3) rearward until operating crank roller (4) is engaged in cradle cam (5). He returns operating handle (3) to stowed position (forward).



02pc014m

2-16 PREPARATION FOR FIRING - CONTINUED

2-16.12 Loading 155MM Cannon - Continued

CAUTION

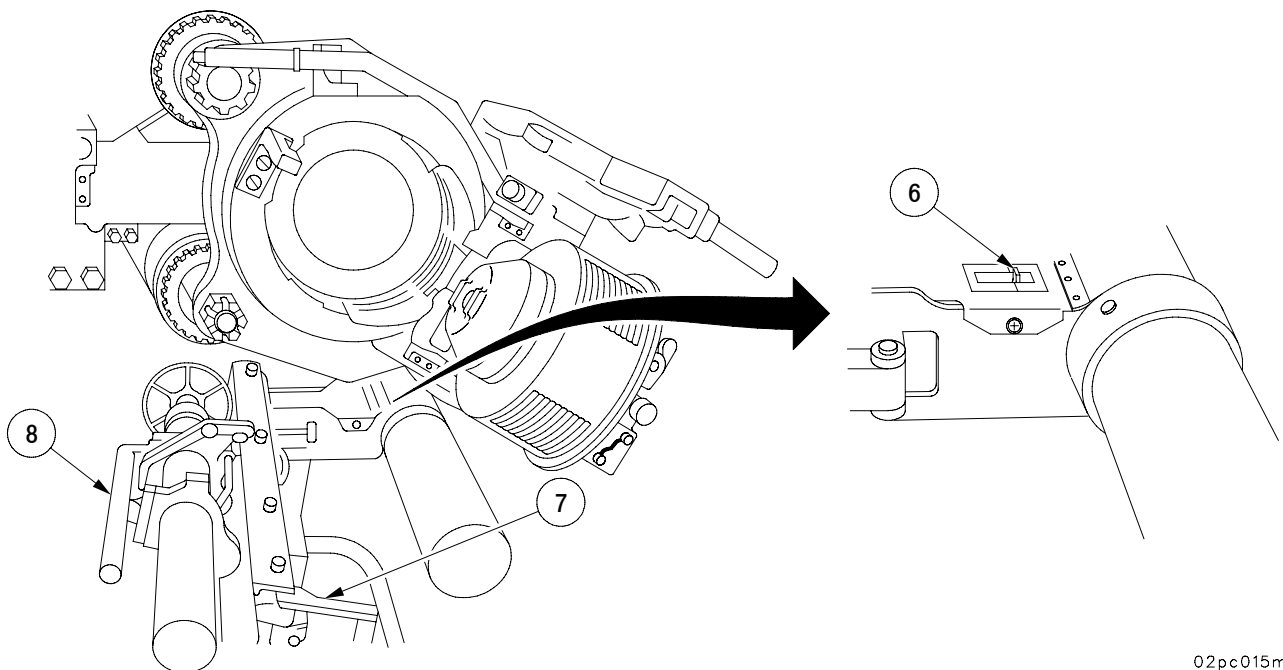
A load elevation above 300 mils may result in breech failing to close and may cause unnecessary wear on spring pack.

- f. Chief of section makes sure that tube is at loading elevation (less than 300 mils).

NOTE

If rammer is not working, refer to para 2-16.13 for hand ramming instructions.

- g. Check pointer (6). It should be in black band, indicating that rammer is properly stowed and latched.
- h. Cannoneer pulls rammer main release handle (7) and slides rammer back to rear stop. Pointer (6) should now be in red band.
- i. Cannoneer places his left hand on cylinder release handle (8) and swings rammer up and forward until latched. Pointer (6) returns to black band.
- j. Cannoneer pulls on cylinder release handle (8), unlatches and rotates cylinder to the side. Don't touch main release handle (7).

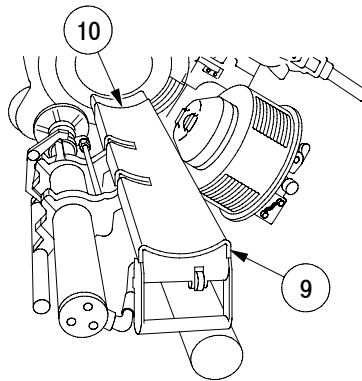


02pc015m

2-16 PREPARATION FOR FIRING - CONTINUED**2-16.12 Loading 155MM Cannon - Continued****CAUTION**

Be careful not to accidentally push rammer lever on ceiling of cab while rammer is in unlatched/loading position.

- k. Cannoneer places projectile on rammer tray (9) and pushes projectile forward until rear of projectile is just beyond line (10).



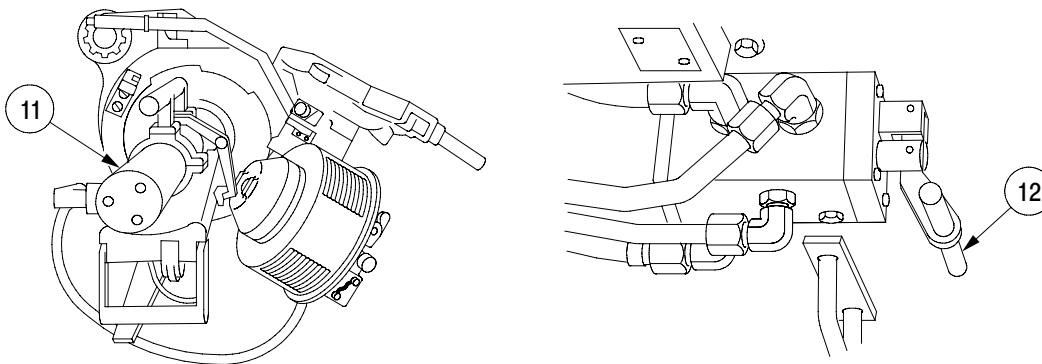
02pc016m

- l. Upon hearing last digit of quadrant, cannoneer rotates rammer cylinder (11) up to latch position.

WARNING

Be sure to hold actuating valve forward for a full 4 seconds to properly seat projectile. Improperly seated projectiles cause short rounds and injury to personnel.

- m. Cannoneer reaches up to rammer actuating valve on cab ceiling and pushes manual control lever (12) forward, holding lever for 4 seconds to allow full extension of rammer cylinder rod and proper seating of projectile. After projectile is seated, cannoneer releases control lever (12).



02pc016ma

2-16 PREPARATION FOR FIRING - CONTINUED

2-16.12 Loading 155MM Cannon - Continued

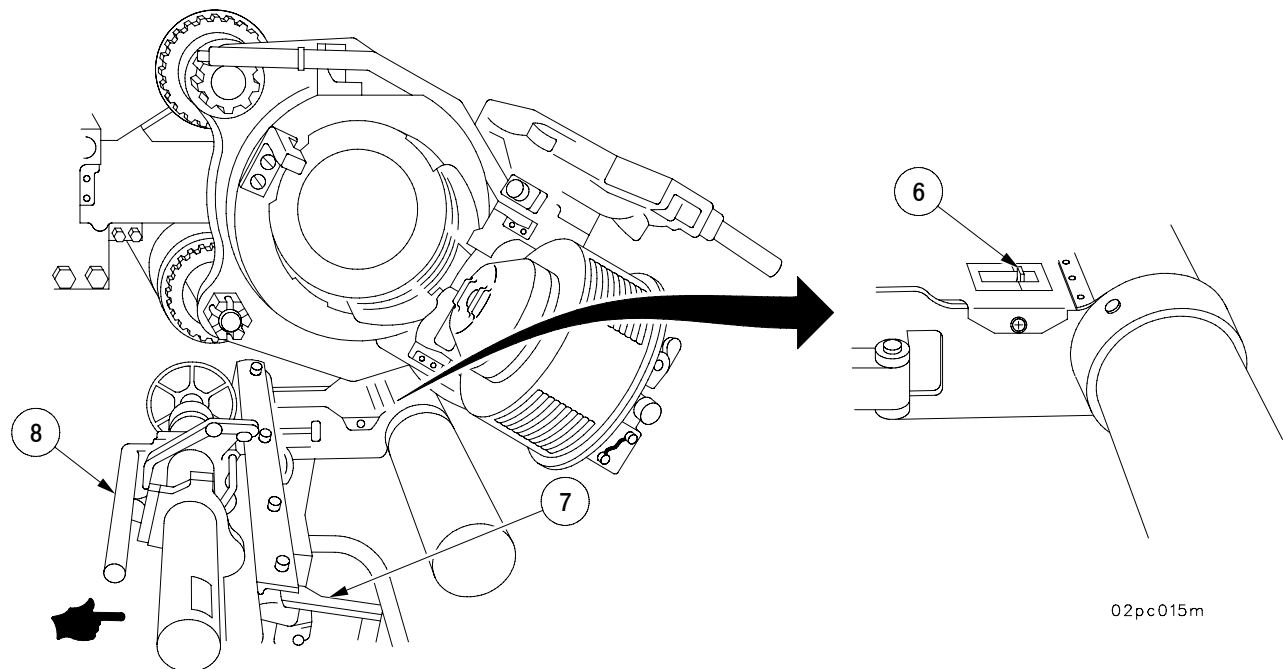
CAUTION

Do not let rammer fall to stowage bracket. Dropping rammer can cause tray bracket to crack.

- n. With his right hand on main release handle (7) and his left hand on cylinder release handle (8), cannoneer pulls rammer all the way to rear. He rotates loader-rammer counterclockwise and pushes rammer forward to stowed position. Make sure pointer (6) is inside the black band.

CAUTION

- Always place rammer in stowed position when elevating cannon.
- If rammer is left in ramming position when elevating above 80 mils, the rammer will strike the floor and bend the rammer support shaft.



2-16 PREPARATION FOR FIRING - CONTINUED

2-16.12 Loading 155MM Cannon - Continued

WARNING

- To prevent smoke in the cab when all hatches are closed, be sure to set the ventilator blower switch to INTAKE (lead filter blower will come on) during all firings.
- The top and driver's hatch must be closed for all charges.
- The side hatch must also be closed for M119 series.
- All hatches and doors must be closed for M203 series.
- Never load a propelling charge into chamber by increments. Only fully assembled charges will be used. Critical malfunction could result.
- Do not assemble M3 series green bag charges with M4 series white bag charges. Critical malfunction could result.
- When inserting propellant charge, check that ignitor (red) end is towards the gunner. If charge is not properly loaded, a misfire may result.
- Prior to firing each round, be sure that all unused propelling charges are in their packing containers with lids secured. Maintain in containers until bore clear is verified.

NOTE

Don't put propellant charge in until just before firing. Temperature variation will affect performance of charge.

2-16 PREPARATION FOR FIRING - CONTINUED

2-16.12 Loading 155MM Cannon - Continued

NOTE

- Perform step o and steps p through t when using bag charges.
 - Perform step o.1 and steps p through t when using MACS charges.
- o. Gunner loads propelling charge (13) into cannon chamber with igniter (red) end toward breechblock assembly so that it is 3 inches inside rear of chamber or in groove in chamber.

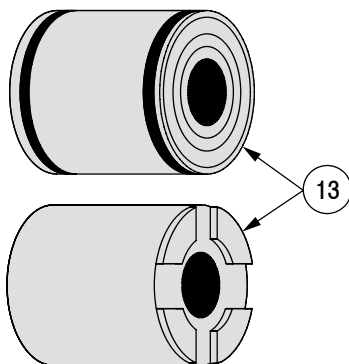
WARNING

- Do not mix M231 and M232/M232A1 charges. Failure to comply will result in injury or death to personnel.
- Do not load any packaging materials or spacers. Failure to comply will result in injury or death to personnel.

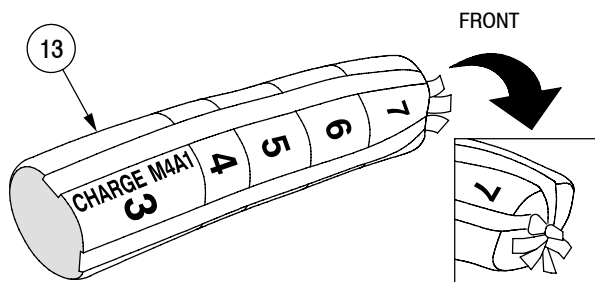
NOTE

The M231 and M232/M232A1 are bi-directional charges (can be loaded in either direction).

- o.1 Gunner loads propelling charge (13) into cannon chamber so that it is in groove of chamber.



MACS CHARGES



BAG CHARGE

02pc417m

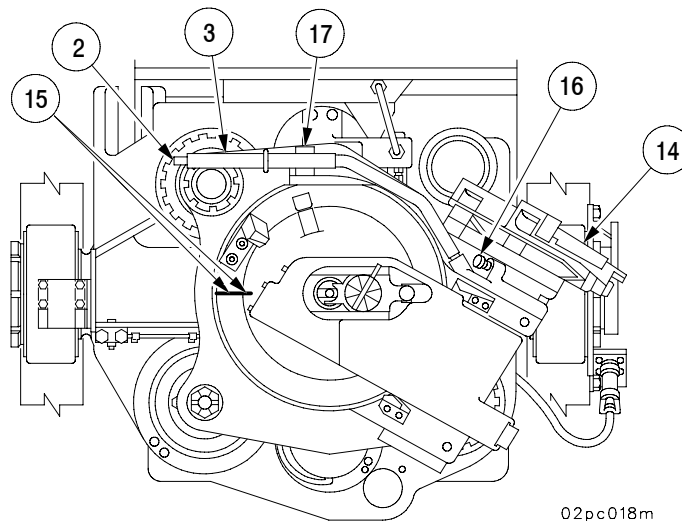
2-16 PREPARATION FOR FIRING - CONTINUED

2-16.12 Loading 155MM Cannon - Continued

WARNING

Stand clear of breechblock. Do not close breechblock unless red igniter pad is visible.

- p. Gunner commands "CLOSE" and lifts operating cam handle (14).
- q. After breechblock is closed, gunner makes sure that witness marks (15) are aligned. If witness marks are not aligned, do the following:
 - (1) Grasp operating handle (3) and push in clutch pin (16).
 - (2) Hold clutch pin (16) in and push in detent plunger (2) to disengage operating handle (3) from catch (17). Push and pull on operating handle (3) to rotate and close breechblock.



02pc018m

2-16 PREPARATION FOR FIRING - CONTINUED

2-16.12 Loading 155MM Cannon - Continued

WARNING

- Never insert primer in primer cavity unless breechblock assembly is closed and witness marks are aligned. Ignition of propelling charge with breechblock not fully closed presents a critical hazard to crew. Report unsafe condition to COS and unit maintenance and unload cannon.
 - Don't force primer into primer chamber. If primer will not go in, chamber is probably dirty. Forcing primer into primer chamber may cause primer to prematurely ignite powder charge, which will prematurely cause the howitzer to recoil resulting in serious injury to the crew.
 - Use only M82 primer in cannon.
- r. Chief of Section gives command, "PRIME", Cannoneer inserts primer (18) into primer chamber. Don't force primer. If primer will not go in, chamber is probably dirty. Clean both primer chamber and obturator vent hole.

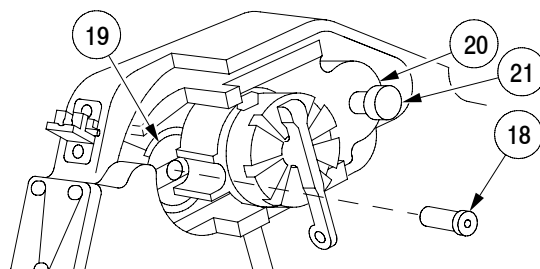
WARNING

Do not fire without follower assembly. Doing so will result in injury to personnel.

CAUTION

Be sure block assembly is all the way left. If it isn't, misfire will result. Do not hook lanyard to firing mechanism until Chief of Section commands "HOOKUP".

- s. Make sure flanged head of primer (18) is firmly seated against extractor (19).
- t. Cannoneer slides firing mechanism block assembly (20) left by pulling on follower knob (21).



02pc019m

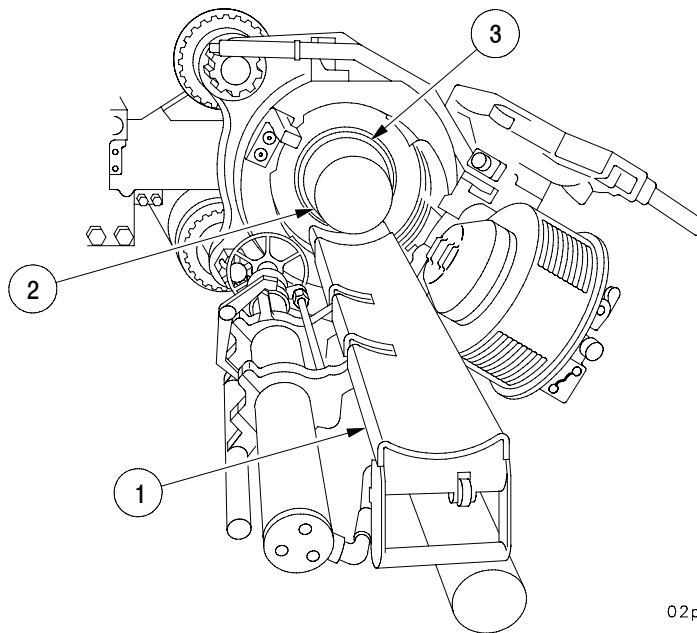
2-16 PREPARATION FOR FIRING - CONTINUED

2-16.13 Loading 155MM Cannon-Hand Ramming.

NOTE

In NBC environment, use one long and one short rammer staff.

- a. Cannoneer assembles four rammer staffs to loading rammer.
- b. The chief of section elevates gun tube approximately 265 mils elevation to permit hand ramming through rear hull door.
- c. Cannoneer places rammer tray (1) in position.
- d. Cannoneer places projectile (2) on rammer tray (1) and pushes projectile (2) forward by hand until rotating band (3) is just forward of rammer tray (1).
- e. Cannoneer places loading rammer against base of projectile (2).
- f. Cannoneer and gunner, on command "RAM," push projectile (2) as hard as possible to seat it in tube.

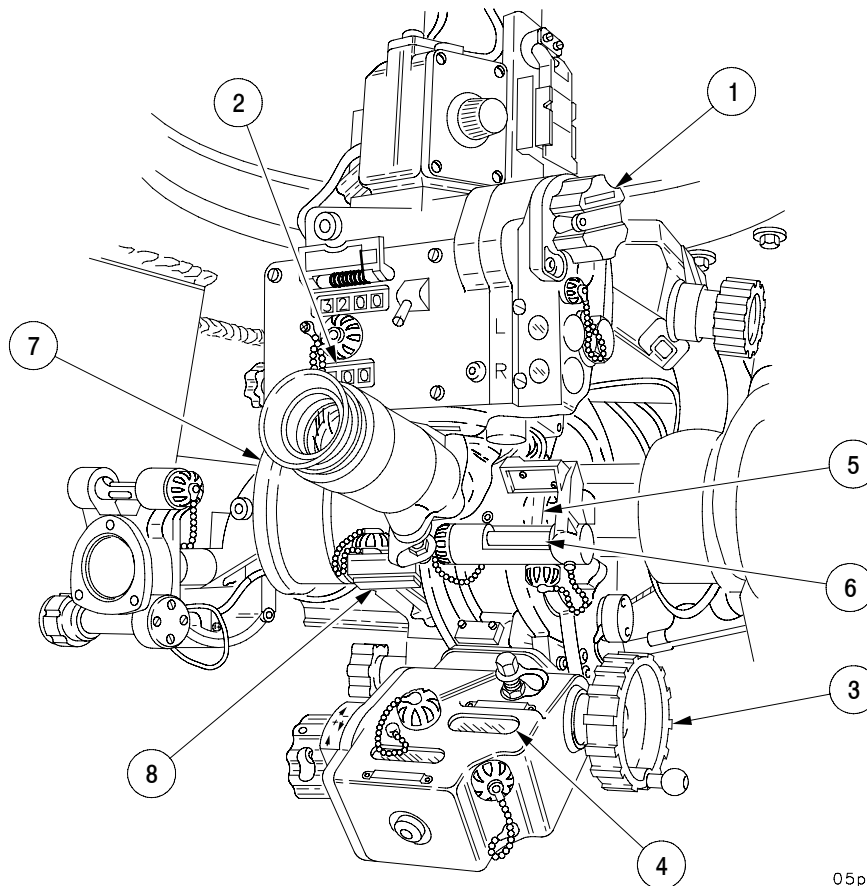


02pc024m

2-16 PREPARATION FOR FIRING - CONTINUED

2-16.14 Laying For Deflection and Quadrant During Indirect Fire Missions - Using Collimator M1A1/M1A2.

- Upon announcement or data display of "DEFLECTION (SO MUCH)," gunner rotates PANTEL azimuth deflection knob (1) until announced deflection appears on RESET counter (2). He then reads setting to chief of section.
- Upon announcement or data display of "QUADRANT (SO MUCH)," gunner rotates ELEVATION HAND-WHEEL (3) until announced QUADRANT appears on ELEVATION counter (4). He then reads setting to chief of section.
- Sighting through PANTEL eyepiece, gunner traverses cab until he gets proper sight picture on aiming point.
- The gunner centers pitch-level vial (5) and cross-level vial (6) bubbles on M145A1 mount (7).

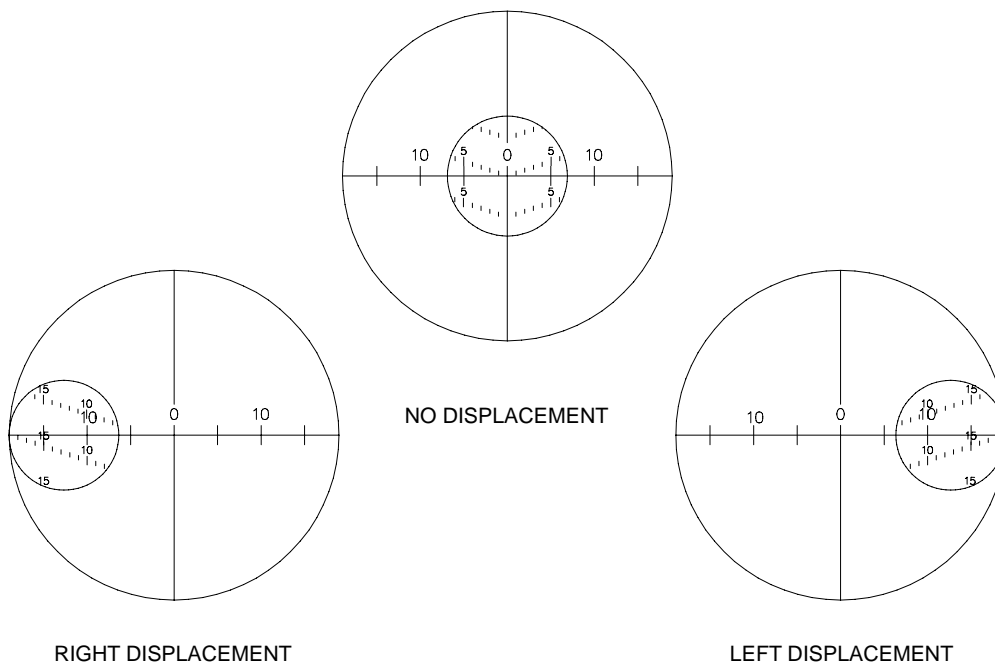


05pc017m

2-16 PREPARATION FOR FIRING - CONTINUED

2-16.14 Laying For Deflection and Quadrant During Indirect Fire Missions - Using Collimator M1A1/M1A2 - Continued

- e. To correct for weapon displacement, gunner must match reticle of PANTEL with collimator reticle pattern. Numbers in collimator reticle indicate 5 mil increments. Individual mils are indicated by short lines in V format of pattern. For example, if gunner sees 10 and 15 in collimator and reticle pattern slopes upward from right to left, weapon has experienced right displacement. To compensate for this displacement, gunner matches left portion of PANTEL reticle with collimator as shown below.
- f. If gunner sees 10 and 15 in collimator and pattern slopes upward from left to right, weapon has experienced left displacement. To compensate for this displacement, gunner matches the right portion of PANTEL reticle with collimator reticle, as shown below.



05pc016m

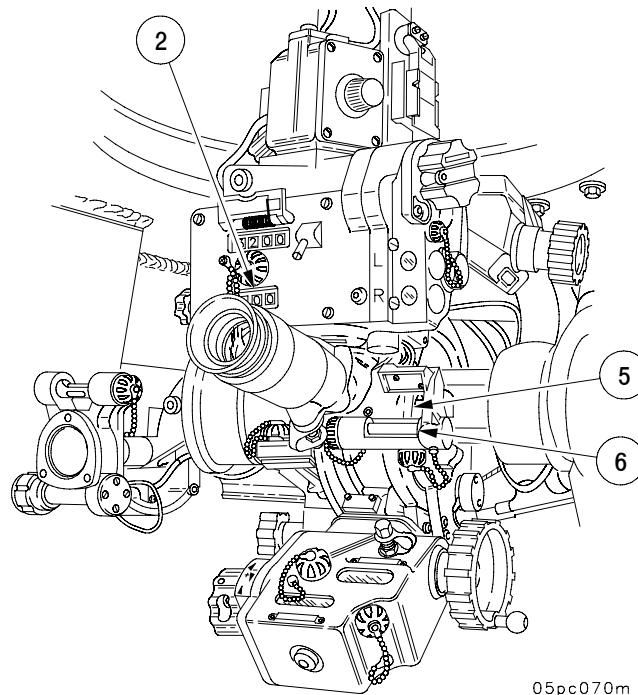
2-16 PREPARATION FOR FIRING - CONTINUED

**2-16.14 Laying For Deflection and Quadrant During Indirect Fire Missions - Using Collimator
M1A1/M1A2 - Continued**

NOTE

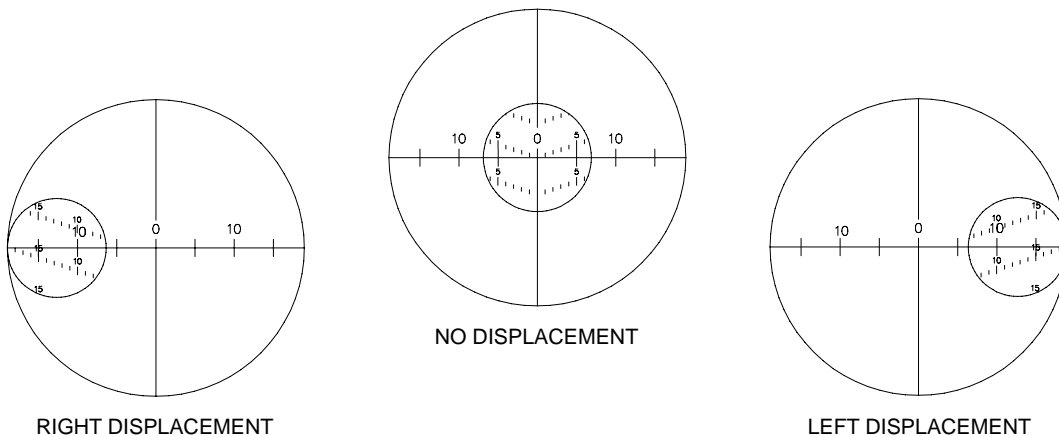
Each time howitzer is traversed or cannon is elevated or depressed, gunner must repeat steps c and d before aligning PANTEL on any reference aiming point.

- g. After gunner lays for deflection he will then elevate or depress the cannon tube until elevation-level vial (8) bubble has centered. Gunner then verifies that announced deflection appears on reset counter (2), that PANTEL mount pitch-level (5) and cross-level vial (6) bubbles are centered, and a proper sight picture is on collimator. Gunner then announces "READY".



NOTE

If there is no weapon displacement, the sight picture should appear as shown.



05pc071m

2-16 PREPARATION FOR FIRING - CONTINUED

2-16.15 Laying for Deflection and Quadrant During Indirect Fire Missions- Laying for Elevation Using M1A1 Gunner's Quadrant.

NOTE

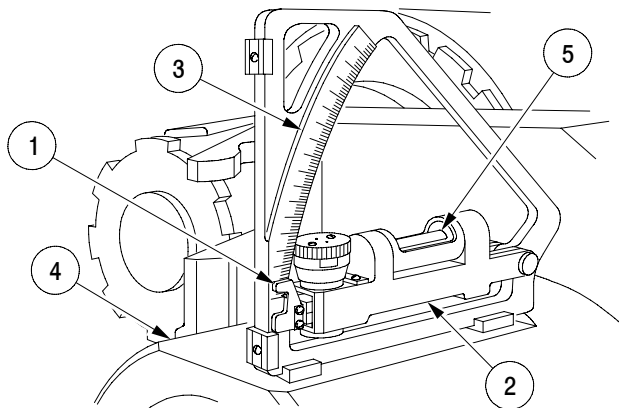
Each time cannon is elevated or depressed, gunner must repeat steps a thru d.

- a. Upon announcement, or data display, of QUADRANT (SO MUCH), gunner pushes radial arm plunger (1) in and adjusts radial arm (2) up or down elevation scale (3) to announced quadrant. He then reads setting to chief of section.

NOTE

Make sure "line of fire" arrow is pointing forward.

- b. After placing M1A1 gunner's quadrant on cannon breech quadrant seats (4), gunner elevates or depresses cannon until bubble centers in level vial (5).
- c. Gunner uses elevation scale on opposite side of quadrant for elevation over 800 mils.
- d. Gunner announces "SET" when bubble centers in level vial.



05pc019m

2-16 PREPARATION FOR FIRING - CONTINUED

2-16.16 Direct Fire Procedures.

WARNING

Direct fire on targets located closer than 800 meters from howitzer will be fired on during combat situations only. Lethal fragments can travel up to 600 meters from point of burst.

Direct fire is used against either stationary or moving targets at close range (normally less than 2000 meters). The section will usually fire the HE projectile and highest authorized charge. Either fuze quick, delay, or time may be used. Fuze quick is best against close-in targets. The gun can be aimed using lead and range tables, or the AFCS/PDFCS can be used to aid in laying the gun.

2-16.16.1 Direct Fire Procedures Without AFCS/PDFCS.

NOTE

When command to engage in direct fire is given, chief of section is in complete control and directs firing of his section.

- a. Chief of section first identifies designated target. If target consists of several weapons, he selects target that is greatest threat to his position.
- b. Chief of section gives fire command in following order:

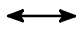


NOTE

- "Fire at will" means to keep firing until target is destroyed or another command is given.
- Chief of section will estimate range if he has no accurate range data.
- Use DIRECT FIRE MOVING TARGET LEAD chart mounted in commander's cupola for initial lead. An additional lead chart is mounted on left wall of cab for gunner's reference as required.

2-16 PREPARATION FOR FIRING - CONTINUED

2-16.16 Direct Fire Procedures - Continued

■ **2-16.16.1 Direct Fire Procedures Without AFCS/PDFCS - Continued**

DIRECT FIRE MOVING TARGET LEAD			
TARGET SPEED (MPH)	TARGET DIRECTION OF TRAVEL LEAD IN MILS (m)		
			
5	5m	5m	0m
10	10m	5m	0m
15	15m	10m	0m
20	20m	15m	0m
25	25m	15m	0m
30	30m	20m	0m

NOTE

Gunner will use DIRECT FIRE RANGE PLATE (shown below) to determine elevation based on announced range, charge, and projectile.

DIRECT FIRE RANGE PLATE			
155MM HOWITZER			
M549A1 RAP		M107 HE PROJECTILE	
ROCKET OFF		M119A1 PC WB	
M203 SERIES PC RB		M119A2 PC WB	
RANGE (METERS)	ELEV (MILS)	RANGE (METERS)	ELEV (MILS)
400 -	3	400 -	4
600 -	5	600 -	7
800 -	6	800 -	9
1000 -	8	1000 -	11
1200 -	9	1200 -	14
1400 -	11	1400 -	16
L15 HE PROJECTILE		M107 HE PROJECTILE	
M203 SERIES PC RB		M4A2 PC (WB)	
RANGE (METERS)	ELEV (MILS)	RANGE (METERS)	ELEV (MILS)
400		400 -	6
600		600 -	10
800		800 -	13
1000		1000 -	16
1200		1200 -	20
1400		1400 -	23
PLATE DIRECT FIRE		P/N 12910859	

ELEMENT

Target designation
 Projectile, Charge, Fuze
 Lead
 Quadrant
 Method of fire

EXAMPLE

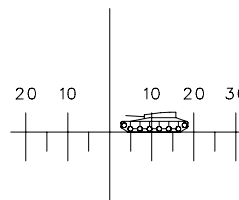
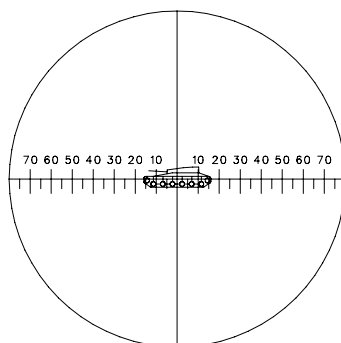
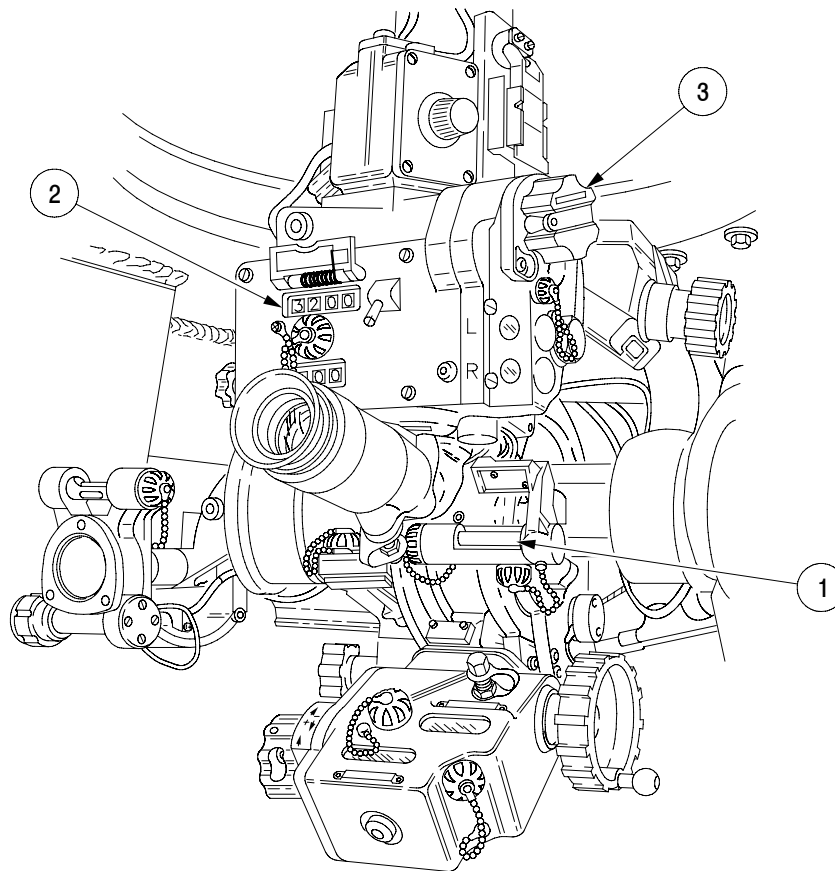
Target, lead tank
 Shell HE, Charge 7, fuze quick
 Lead right (left) 10
 Quadrant One
 Fire at will

2-16 PREPARATION FOR FIRING - CONTINUED

2-16.16 Direct Fire Procedures - Continued

2-16.16.1 Direct Fire Procedures Without AFCS/PDFCS - Continued

- c. Gunner centers cross-level vial (1) bubble, sets azimuth counter (2) to 3200, and turns direct/indirect fire bar (3) to direct position to engage 5.0 mils per click sight mechanism.
- d. If central laying is used, gunner places announced lead on azimuth counter, sights through eyepiece and traverses tube until vertical hairline of PANTEL centers on target (see illustration below). If reticle method is used, gunner places vertical hairline left or right of target, number of mils lead announced by chief of section.



05pc018m

2-16 PREPARATION FOR FIRING - CONTINUED

2-16.16 Direct Fire Procedures - Continued

■ **2-16.16.1 Direct Fire Procedures Without AFCS/PDFCS - Continued**

- e. Gunner lays for both deflection and elevation. He sets announced quadrant on auxiliary elevation counter and elevates or depresses tube until elevation level bubble is centered. He then centers cross-level vial bubble. With 3200 set on azimuth counter, he traverses tube until crosshair or reticle pattern is on target center of mass, or correct lead is established. When gunner establishes correct sight picture, he commands "FIRE." After firing, he continues to lay on target until it is destroyed or a subsequent fire command is issued.
- f. Chief of section gives subsequent fire commands based on observed effects, and changes range, lead, or both as necessary.

ELEMENT	EXAMPLE
Change in lead	RIGHT (or LEFT) 5
Change in range	ADD (or DROP) 100

Gunner turns azimuth deflection knob in 5-mil (1 click) increments to set lead changes.

DIRECT FIRE TABLE, 155MM HOWITZER, SHELL HE, CHARGE 8			
RANGE METERS	ELEVATION MILS	VERTICAL DISPLACEMENT FEET	FIRING DATA
100 200 300 400 500 600	2 3 5 6 8 10	0 .5 1.0 1.5 2.0 3.0	1. Start firing at estimated range or 400 meters, whichever is greater. 2. Make 100 meter range changes until round is on target.
700 800 900 1000 1100 1200 1300 1400	12 13 15 17 19 20 22 24	3.5 4.0 4.5 5.0 6.0 6.5 7.0 8.0	1. Start firing at estimated range. 2. Adjust using bracket (overs and shorts). 3. Make 200 meter range changes until rounds bracket target. 4. Split bracket until round is on target.
1500 1600 1700 1800 1900 2000 2100 2200	26 28 30 32 34 36 38 40	8.5 9.5 10.0 10.5 11.5 12.0 13.0 13.5	1. Start firing at estimated range. 2. Adjust using bracket (overs and shorts). 3. Make 400 meter range changes until you get a bracket. 4. Split bracket until round is on target.

2-16 PREPARATION FOR FIRING - CONTINUED

2-16.16 Direct Fire Procedures - Continued

2-16.16.2 Direct Fire Procedures Using AFCS/PDFCS.

Refer to para 2-15.6 (AFCS) OR 2-15E.5.6 (PDFCS).

NOTE

Verify boresight using the M140/M140A1 alinement device prior to laying the gun.

2-16.16.3 Reciprocal Laying of Howitzer.

This procedure may be used to lay a howitzer with a nonfunctional AFCS/PDFCS, designated the degraded howitzer, on another howitzer with a functional AFCS/PDFCS, designated the functional howitzer.

- a. Degraded howitzer emplaces roughly lined on azimuth of fire.
- b. Functional howitzer emplaces on azimuth of fire and traverses tube to back azimuth.
- c. On receipt of command to lay parallel, degraded howitzer sights on functional howitzer PANTEL and announces "NUMBER 2 AIMING POINT IDENTIFIED."
- d. Functional howitzer sights on degraded howitzer Panoramic Telescope and commands "NUMBER 2, DEFLECTION 4321." (Announced deflection is read directly from azimuth counter.)
- e. Degraded howitzer repeats "NUMBER 2, DEFLECTION 4321" and sets off announced deflection on azimuth counter.
- f. Degraded howitzer traverses tube and aligns its PANTEL with functional howitzer.
- g. Degraded howitzer announces "NUMBER 2, READY FOR RECHECK."
- h. Repeat steps d thru g until deflections are same.
- i. When deflections are same, degraded howitzer announces "NUMBER 2, DEFLECTION 4323, ZERO MILS."
- j. On receipt of command, functional howitzer announces "NUMBER 2 is LAID."
- k. Degraded howitzer establishes an aiming point (i.e., collimator) in accordance with current procedures (para 2-16.14).

2-17 FIRING 155MM CANNON.

WARNING

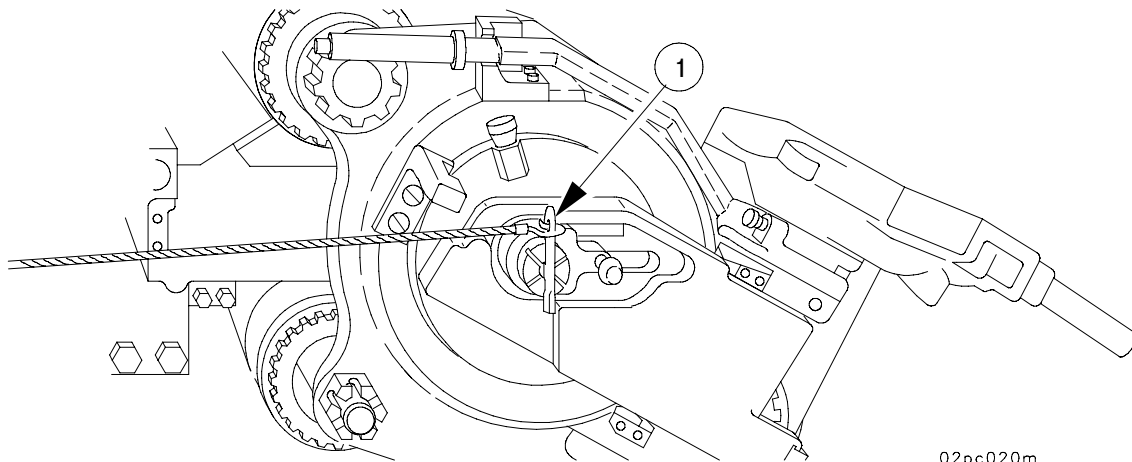
- To prevent propellant fumes, smoke and carbon monoxide in the cab when all hatches are closed, be sure to set Lead Filter switch to ON (on the Accessory Control Box) and move Vent Duct Control Handle into UP position during all firings.
- The top and driver's hatch must be closed for all charges.
- The side hatch must also be closed for M119 series.
- All hatches and doors must be closed for M203 series.
- Firing mechanism lever should be positioned before primer is inserted in primer vent.
- Prior to firing each round, be sure all unused propelling charges are in their packing containers with lids secured. Maintain in containers until bore clear is verified.
- Do not fire without follower assembly. This will result in injury to personnel.
- For each new issue, overhauled, or inspected and repaired cannon or repair mount received, fire first round using 50-ft lanyard.
- All hatches must be closed when firing the M203 series charge; only the rear hatch may be open when firing the M119 series charge; the rear and side hatches may be open when firing M3 and M4 series charges; and the top hatches and driver's hatches must remain closed at all times when firing any charge.
- Make sure that water remaining in tube after swabbing is kept to a minimum.

CAUTION

After new torque key or cannon tube has been installed, zone 6 charge must be first round fired to mate torque key and cannon tube. Failure to follow this procedure could result in equipment damage.

2-17 FIRING 155MM CANNON - CONTINUED**NOTE**

- The howitzer is fired only upon verbal and/or hand signal from chief of section.
 - The cannon can be fired from either side. The firing mechanism lever can be rotated to any one of eight positions on firing mechanism. Push on eyelet end of firing mechanism lever and rotate.
 - Tube position (specifically elevation) should be rechecked prior to firing.
 - Ventilation fan selection switch must be set to LEAD FILTER (INTAKE) position during firing.
- a. Chief of Section verifies data, sees that all crewmembers are in their proper places, and commands, "HOOKUP". Cannoneer attaches lanyard to eyelet of firing mechanism lever (1), and announces, "HOOKUP". Chief of Section gives command, "FIRE" and / or drops his raised arm.



2-17 FIRING 155MM CANNON - CONTINUED

- b. At the command "FIRE", cannoneer fires howitzer with continuous pull on lanyard.

CAUTION

When firing M203 charge, steps c(1) and (2) are critical to prevent breech sticking. If water is not plentiful, wipe tube gas check seat with damp rag instead of using swab.

- c. After cannon returns to in-battery position, cannoneer performs the following:
- (1) Swabs tube gas check seat and powder chamber. Uses swab and cleaning staff section.

NOTE

Chamber staff section may be used with staff section.

- (2) Wipes outer edge of obturator spindle assembly, if required, with damp cotton rag (item 37, Appx D).
- (3) Cleans primer vent hole, if required, in obturator spindle assembly with primer vent-seat brush and reamer.
- (4) Cleans primer flame hole with vent-cleaning tool.
- (5) AFTER looking through tube, announces "BORE CLEAR", if bore is unobstructed.

CAUTION

Operate Personnel Fan (Exhaust) switch on the Accessory Control Box with the Vent Duct Control Handle in DOWN position for 2 minutes when crew members observe fumes, smoke or indication of carbon monoxide build up in the crew compartment.

- d. If howitzer fails to fire, refer to para 2-19.

Tube Temperature Sensor (TTS) will tell you on the DU if your tube is COLD, WARM, or HOT. If a WARM or HOT tube condition exists, you can determine the safe time in tube by the fire mission display. The safe time in tube tells you the number of minutes you have to fire the weapon, starting from the time the projectile is loaded. You must keep track of the time when the projectile is loaded so that you fire within the time prescribed by the TTS.

2-17 FIRING 155MM CANNON - CONTINUED

The safe time in tube for a WARM or HOT tube is dependent upon the ambient temperature. The AFCS/PDFCS/TTS uses the powder temperature as the ambient temperature.

Safe time in WARM tube temperature indicators:

- WARM 20 - Safe time in tube 20 min
- WARM 15 - Safe time in tube 15 min
- WARM 10 - Safe time in tube 10 min
- WARM 05 - Safe time in tube 5 min

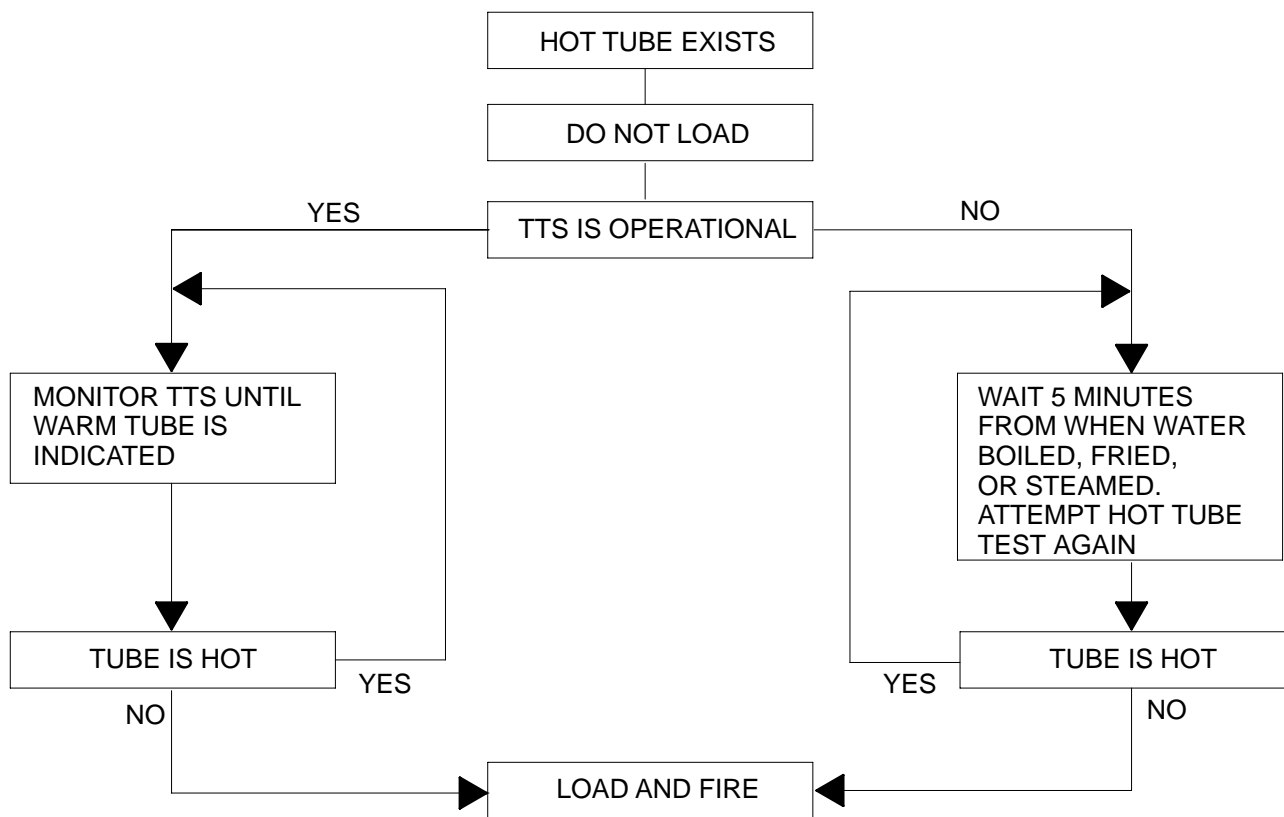
It is important to update your powder temperature on a frequent basis IAW unit SOP so that the TTS will give the correct reading.

If the Tube Temperature Sensor (TTS) is inoperative, then any tube that causes water from a wet swab to boil, fry, or steam off when placed just forward of gas check seat is a hot tube.

NOTE

In combat emergency, commander will determine if hot tube procedures will be followed.

HOT TUBE PROCEDURES



2-18 UNLOADING 155MM CANNON.**WARNING**

Before attempting to unload cannon, see MISFIRE/CHECKFIRE PROCEDURES in para 2-19.

CAUTION

Do not use bell rammer to unload the M712 Copperhead projectile.

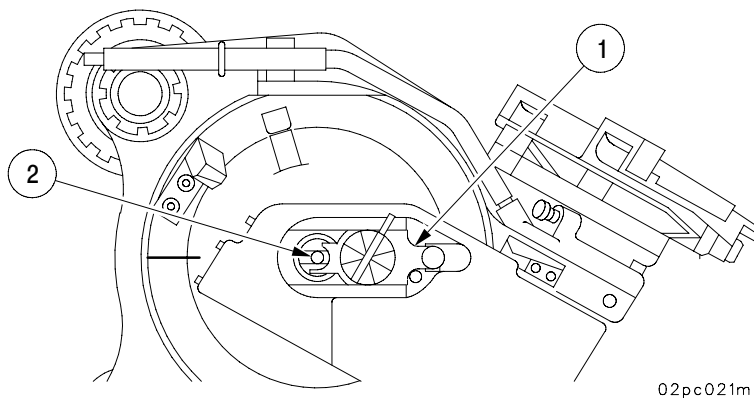
NOTE

- A complete round, once loaded, should always be fired in preference to being unloaded.
 - For unloading or extracting an M712 Copperhead projectile, see or refer to para 5-25.
- a. Unloading is supervised by chief of section.
 - b. The command "UNLOAD" is given by chief of section who then inspects bell rammer to make sure it is free from obstructions.

WARNING

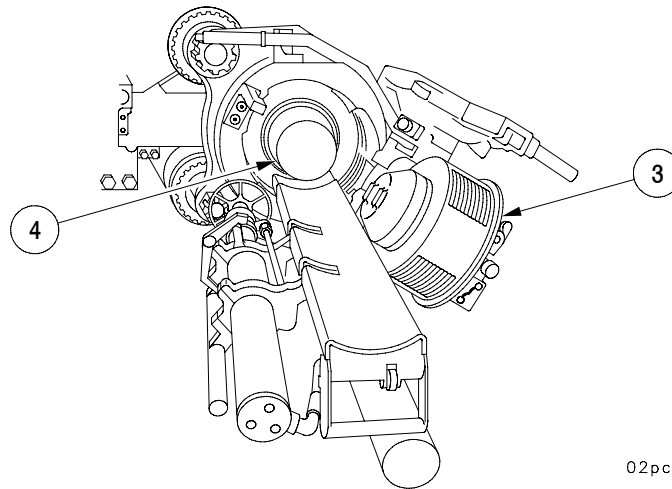
Never stand directly behind cannon when unloading.

- c. Cannoneer slides block assembly (1) to right and removes primer (2).
- d. Gunner depresses cannon to zero elevation.



2-18 UNLOADING 155MM CANNON - CONTINUED

- e. Gunner opens breechblock (3), gunner removes propellant (4) and hands it to cannoneer.
- f. Gunner places rags or other waste material in propellant chamber. He closes breechblock (3).



02pc013m

WARNING

- Make sure that bell rammer, P/N 8767210, is used.
 - Projectiles and fuzes that have been rammed and then removed from tube must NOT be reloaded and fired. They must be turned over to authorized personnel for destruction or demilitarization. Only an M712 Copperhead projectile that has been rammed and extracted from a COLD TUBE may be reused if within 30 days (refer to para 5-26).
- g. Cannoneer and driver assemble seven rammer staffs with bell rammer. They insert bell rammer into muzzle end of tube, and push carefully until bell rammer head encircles fuze and is seated against projectile. They steadily increase pressure by tapping rammer staff with a wooden block until projectile is loose.
 - h. When projectile is loosened, cannoneer and driver suspend operation of rammer. Chief of section has breech opened, and rags or waste removed, by gunner. Gunner then places rammer tray in position to receive projectile.
 - i. Cannoneer and driver steadily push projectile out of breech and onto rammer tray.
 - j. Projectile is then disposed of as directed.

2-18 UNLOADING 155MM CANNON - CONTINUED**UNLOADING PROCEDURES FOR MACS PROPELLING CHARGE ONLY**

- a. Slide firing mechanism block assembly left to eject primer, then slide firing mechanism block assembly right to firing position.
- b. Open breech block assembly.

NOTE

MACS increments must be removed one at a time.

- c. Lift increment out of the swiss notch by using the thin black charge separator as a tool. Slide the separator along the side of the increment then under to lift it up and out of the swiss notch.
- d. If MACS charge two or higher was loaded into the weapon, elevate the cannon as needed to get the increments to slide back into the swiss notch. Repeat step c. for each increment.
- e. Follow instruction in previous section for unloading the projectile after MACS has been removed.

2-19 MISFIRE/CHECKFIRING PROCEDURES.

Conditions described here are rarely encountered when authorized and properly maintained ammunition is fired in properly maintained and operated weapon. However, to avoid injury to personnel and damage to equipment, all personnel must clearly understand the following:

- a. What is involved when this weapon fails to fire.
- b. What should be done when failure to fire occurs.

WARNING

- Do not load more than two increments of M231.
 - Do not use Charge 1 or 2 green bag, M3A1.
 - Do not use Charge 1 or 2, M232/M232A1.
 - When authorized rates of fire for howitzer are exceeded, propelling charge cook-offs may occur within 1 minute after chambering. If firing in hot tube status, propelling charge cook-off may occur within 1 minute after chambering. AFCS/PDFCS/TTS will indicate hot, warm, or cold tube. If TTS is operational, use temperature readout to determine tube condition and safe time in tube.
- c. Authorized Rates of Fire. If TTS is operational, you may fire at any rate of fire as long as TTS does not indicate HOT tube condition (see HOT tube procedures, para 2-17). If AFCS/PDFCS/TTS is inoperable, authorized rates are as follows:

Maximum rate: 4 rds/min. for 3 minutes
Sustained rate: 1 rd/min.

2-19.1 Definitions.

- a. Checkfire. Checkfire is command given in emergency by anyone present who observes an unsafe act.

NOTE

The TTS will indicate a cold, warm, or hot tube. If AFCS/PDFCS/TTS is inoperable, the definitions below will apply.

- b. Cold Tube. Any tube that has, or has not, exceeded rates of fire and that does not cause water from a wet swab to boil, fry, or steam off when placed just forward of gas check seat.
- c. Warm Tube. Any tube that causes water from a wet swab to steam, not boil or fry when placed just forward of gas check seat.
- d. Hot Tube. Any tube that causes water from a wet swab to boil, fry, or steam off when placed just forward of gas check seat.

2-19 MISFIRE/CHECKFIRING PROCEDURES - CONTINUED

2-19.1 Definitions - Continued

- e. Cook off. A cook off occurs when the propelling charge is ignited by excessive tube heat.
- f. Hangfire. A hangfire is a delay in action by the igniter or propelling charge. This delay, though unpredictable, ranges from fractions of a second to 10 minutes.
- g. Misfire. A misfire occurs when the weapon does not fire after an attempt to fire. Its cause may be failure of primer, igniter, propelling charge, or firing mechanism to function. A misfire in itself is not dangerous, but it cannot be immediately distinguished from a hangfire.

WARNING

Removal of the primer is dangerous when a sticker occurs. When the firing block is released, the primer shoots rearward at very high speed, injuring personnel standing in its path. Stand clear of all recoiling parts to avoid personnel injury.

- h. Sticker. A sticker is a projectile that is lodged in the tube after normal functioning of the ignition train. When stickers occur, gases under high pressure are retained in the chamber.

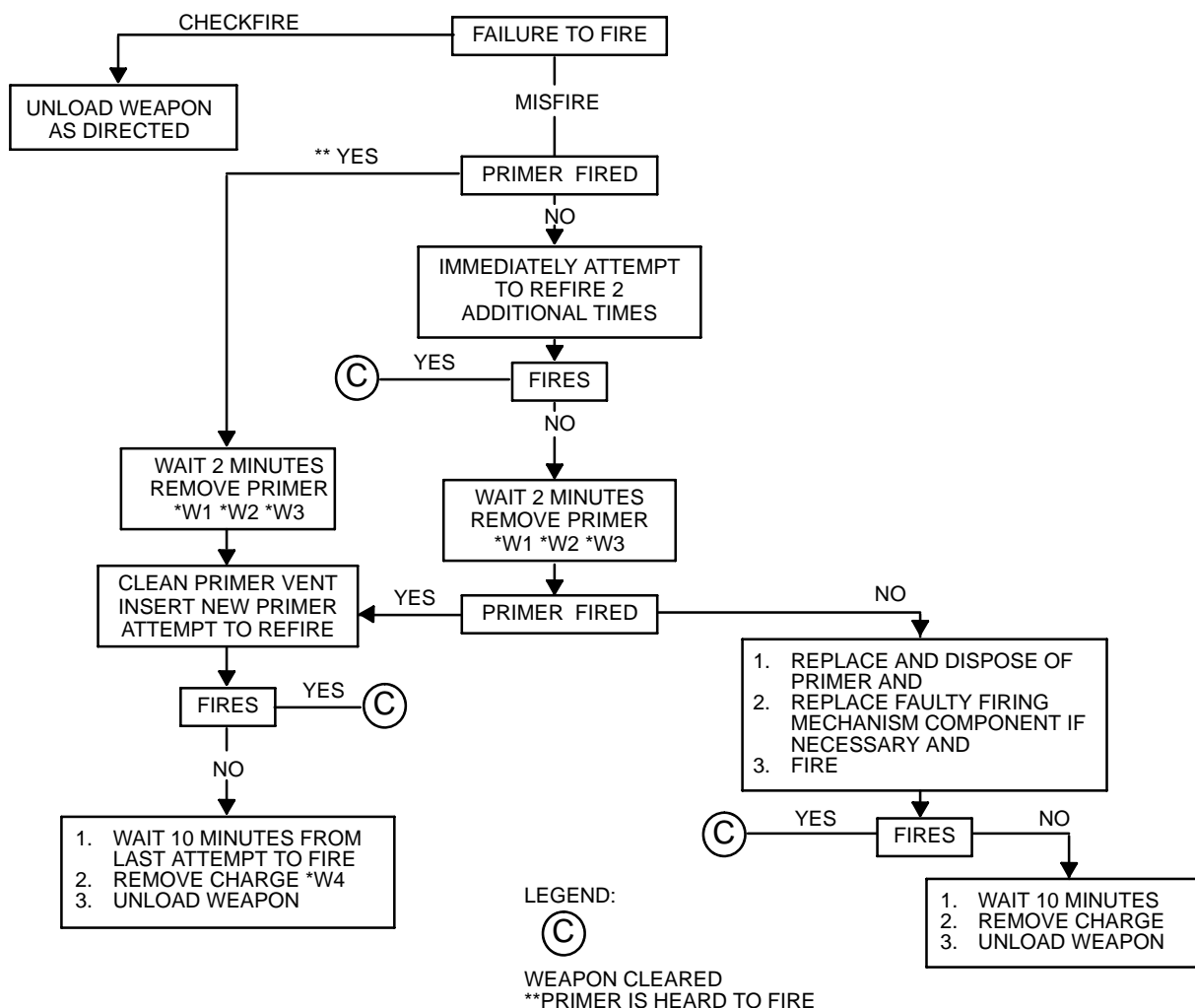
2-19 MISFIRE/CHECKFIRING PROCEDURES - CONTINUED

2-19.2 Cold Tube Misfire/Checkfire Procedures.

If you get a cold tube failure-to-fire, follow YES/NO procedure below to clear weapon.

WARNING

- Keep weapon trained on target. Evacuate all personnel except COS and cannoneer.
- Stay clear of recoiling parts and don't put hand behind primer vent.
- The primer can be expelled rearward should there be a sticker.
- When opening the breech to remove the powder charge and if smoke/sparks are coming from the chamber area, do not attempt to remove the charge or close the breech. Immediately evacuate the vehicle through the gunner's escape hatch, commander's cupola, or cab side doors, but not the hull rear door. Notify EOD.



2-19 MISFIRE/CHECKFIRING PROCEDURES - CONTINUED

2-19.3 Warm Tube Misfire/Checkfire Procedures.

If you get a warm tube failure-to-fire, follow YES/NO procedure below to clear weapon.

WARNING

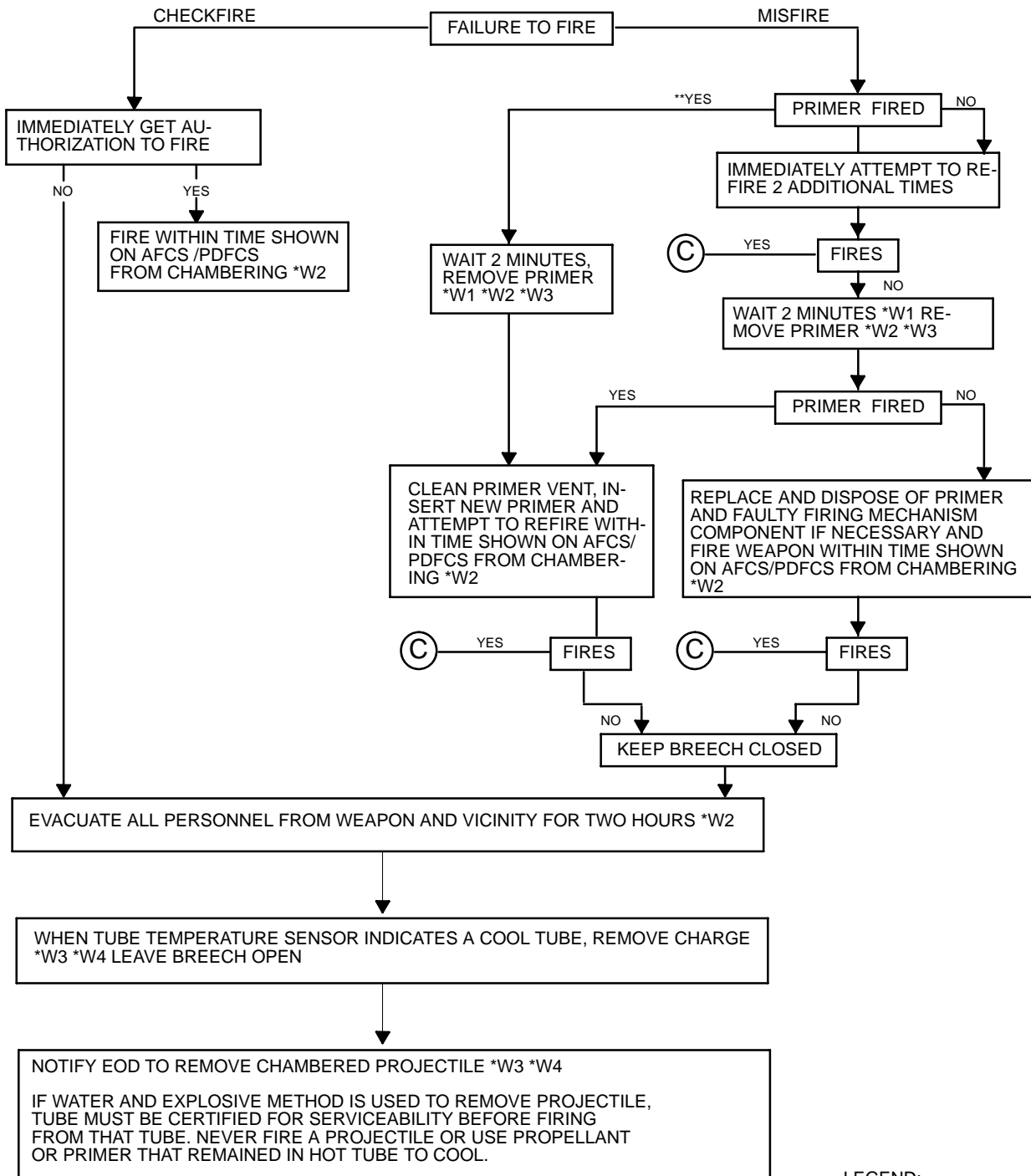
- Keep weapon trained on target. Evacuate all personnel except COS and No. 1 cannoneer.
- Stay clear of recoiling parts and don't put hand behind primer vent.
- The primer can be expelled rearward should there be a sticker.
- Never fire a projectile or charge that has been allowed to cool in a heated tube. Separate them and mark both unserviceable.

NOTE

Warm tube misfire/checkfire procedures will only be used with an operable AFCS/PDFCS/TTS. If AFCS/PDFCS/TTS is inoperable, use definition for hot and cold tube to determine misfire/checkfire procedure to follow.

2-19 MISFIRE/CHECKFIRING PROCEDURES - CONTINUED

2-19.3 Warm Tube Misfire/Checkfire Procedures - Continued



(C) LEGEND:
WEAPON CLEARED
**PRIMER IS HEARD TO FIRE

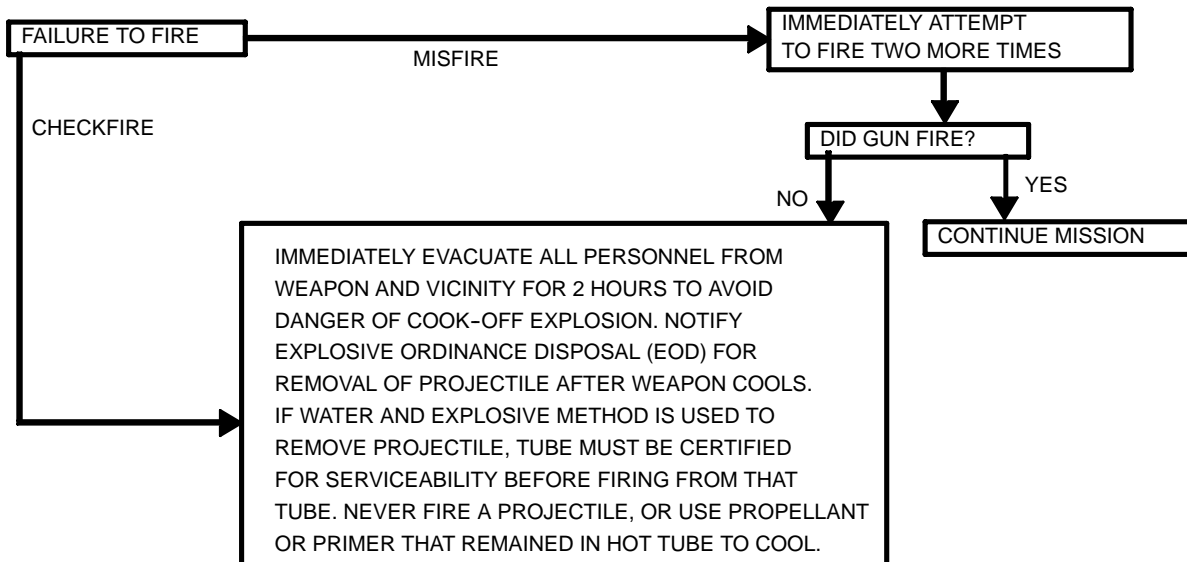
2-19 MISFIRE/CHECKFIRING PROCEDURES - CONTINUED

2-19.4 Hot Tube Misfire/Checkfire Procedures.

If you get a hot tube failure-to-fire, follow YES/NO procedure below to clear weapon.

WARNING

- Do not fire a hot tube except in a combat emergency.
- W1 Charge cook-off possible after 1 minute.
- W2 Do not take cover directly to rear of weapon.
- W3 Do not fire the unloaded primer and charge. Separate them and mark both unserviceable.
- If you see any liquid dripping from or puddling in the tube, assume it is melted high explosive leaking from the projectile. Do not fire the weapon until it is cleaned thoroughly.



2-20 DUDS.

WARNING

Do not touch, move, or otherwise handle duds. Their fuzes may be armed. Have duds destroyed in place by authorized personnel only.

2-21 PREPARATION FOR TRAVEL (MARCH ORDER).

March order and preparation of howitzer for travel is accomplished under supervision of chief of section. When movement is ordered, chief of section commands MARCH ORDER and gives movement orders to ATC.

WARNING

Projectiles and fuzes that have been rammed and then removed from tube must NOT be reloaded and fired. They must be turned over to authorized personnel for destruction or demilitarization. Only an M712 Copperhead projectile that has been rammed and extracted from a COLD TUBE may be reused within 30 days (refer to para 5-26).

- a. Chief of section commands "MARCH ORDER".
- b. Chief of section inspects chamber to see that howitzer is not loaded, supervises work of section, checks all ammunition not fired that has been prepared for firing, before it is replaced in containers. He checks that powder increments prepared for firing are present in proper condition, are of same lot number as container, and are assembled in proper numeric order. He checks all time/proximity fuzes that have been set to see that they are reset to shipping and storage setting, and that eyebolt lifting plugs are replaced on all unfuzed projectiles. He also checks that supplementary charges that have been withdrawn are replaced and that grommets have been replaced on rotating bands of all projectiles not stored inside howitzer.
- c. Gunner covers vials on telescope mount and turns ballistic shield to face full left, secures and locks.
- d. Cannoneer ensures bore is clear and secures power rammer and closes breechblock, replaces unused primers in traveling compartment, secures swab, cleaning materials, and places vent and primer seat cleaning tools in oddment tray.
- e. Gunner and cannoneer check that all projectiles stowed on board are secure and have either authorized fuze or lifting plug firmly installed.
- f. Driver assists in reloading ammunition and section equipment, secures communication equipment, and replaces muzzle cover.
- g. Driver disassembles and secures rammer staff sections, and secures BII.
- h. Driver and chief of section stow tube in travel position (para 2-8.20). Chief of section places HYDRAULIC POWER switch to OFF.
- i. Gunner locks cab traverse lock.

2-21 PREPARATION FOR TRAVEL (MARCH ORDER) - CONTINUED

WARNING

Two personnel must guide driver when backing up (para 2-8.11).

- j. Chief of section, along with the assistance of the cannoneer, directs the driver to back against spades. When driver has backed against spades, gunner steps on left and right pedal. Then the chief of section directs the driver to pull forward off the spades, until the spades clear the spade holes.
- k. Chief of section and cannoneer lift left spade into travel position. Gunner closes rear hull door, then steps on right pedal latch.
- l. Chief of section and cannoneer lift right spade into travel position. Gunner opens rear hull door.
- m. Chief of section checks left and right locking latches for complete engagement. Replaces left and right spade safety pins. Cannoneer secures left and right strut.
- n. Cannoneer secures collimator if used and hands it to driver who stores it.
- o. Gunner verifies all section equipment is present and secure.
- p. Entire section takes their posts and cannoneer closes rear hull door.
- q. Chief of section verifies howitzer is prepared for traveling and reports "NUMBER (SO AND SO) IN ORDER" or reports any defect section cannot correct without delay.

2-22 OPERATING AUXILIARY EQUIPMENT.

2-22.1 Operating Personnel Heater.

WARNING

Do not place flammable materials or explosives on or near personnel heater. To prevent injury to personnel and damage to equipment, do not block or restrict the heater vent.

NOTE

- These operating procedures are for vehicles with Accessory Control Box P/N 12268582.
- For vehicles with Accessory Control Box P/N 12268547, see sub-para 2-22.1.1.1 for operating procedures.

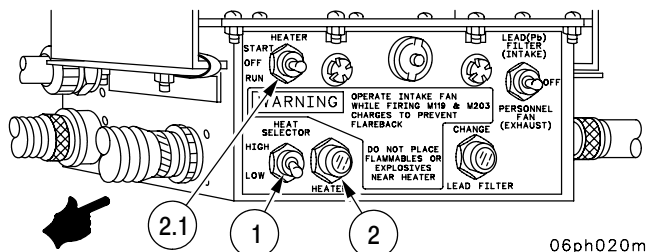
2-22.1.1 Starting.

- Turn MASTER switch to ON.
- Move HEATER SELECTOR switch (1) to LOW.

CAUTION

If recommended start times are exceeded, damage to the heater can result by burning out igniter or ignition control register. Steps b.1 and b.2 only apply to the global heater. Steps b.3 through step f only apply to the Hupp and Stewart-Warner heaters.

- Push HEATER switch (2.1) to START and hold for four to seven seconds (no more than seven seconds, or global heater will go into an automatic shutdown/diagnosis mode). If heater detects a fault it will automatically shutdown. If this occurs, notify unit maintenance.
- Push HEATER switch (2.1) to RUN once heater starts.
- Push HEATER switch (2.1) to START and hold. Set HEATER switch to RUN once heater starts.
- If heater does not start within 2 minutes, move HEAT SELECTOR switch (1) to OFF for 10 seconds, and then immediately back to LOW. The start attempt may be continued for 1 additional minute.
- If heater has not started after step c, again move HEAT SELECTOR switch (1) to OFF for 10 seconds, and then immediately back to LOW, and another 1-minute start attempt may be made. This will make a total start time of 4 minutes. If heater has not started by this time, notify unit maintenance.
- After the heater starts, it may be operated on either HIGH or LOW by positioning of the HEAT SELECTOR switch (1). Any time heater is started, it should be operated for at least 5 minutes to clear heater of all excess fuel introduced during starting.
- The heater lamp (2) will illuminate when HEAT SELECTOR switch (1) is in LOW or HIGH position.



2-22 OPERATING AUXILIARY EQUIPMENT - CONTINUED

2-22.1 Operating Personnel Heater - Continued

2-22.1.2 Shutdown.

WARNING

Do not use the vehicle MASTER switch to shut the heater down. If the following instructions are not followed, fuel vapors may accumulate in the ventilating air circuit.

CAUTION

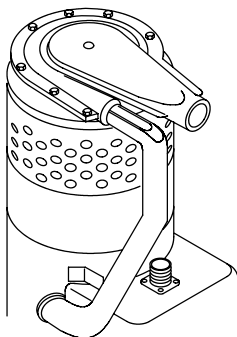
If proper shutdown procedures are not followed, heater may be damaged by reverse burning.

Shutting Down Hupp and Stewart-Warner Heaters

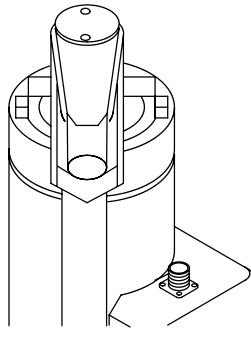
To stop personnel heater operation, move the HEATER switch (2.1) to the OFF position. The blower will continue to operate for approximately 3 minutes to allow the system to cool. If blower continues to operate or otherwise malfunctions, notify unit maintenance.

Shutting Down Global Heaters

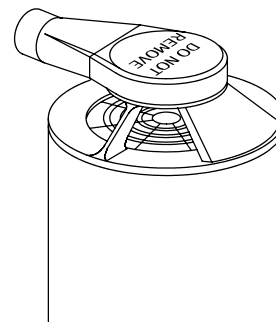
Move HEATER switch (2.1) to OFF position. Global heater will enter purge mode and after four minutes it will automatically shut down.



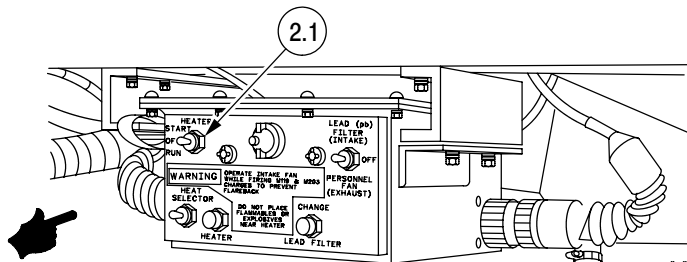
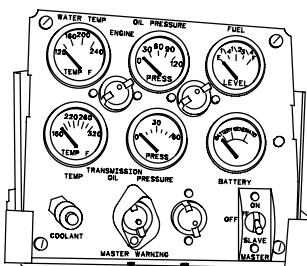
STEWART-WARNER



HUPP



GLOBAL



22ph038m

2-22 OPERATING AUXILIARY EQUIPMENT - CONTINUED

2-22.1.1 Operating Personnel Heater.

WARNING

Do not place flammable materials or explosives on or near personnel heater. To prevent injury to personnel and damage to equipment, do not block or restrict the heater vent.

NOTE

- These operating procedures are for vehicles with Accessory Control Box P/N 12268547.
- For vehicles with Accessory Control Box P/N 12268582, see sub-para 2-22.1 for the operating procedures.

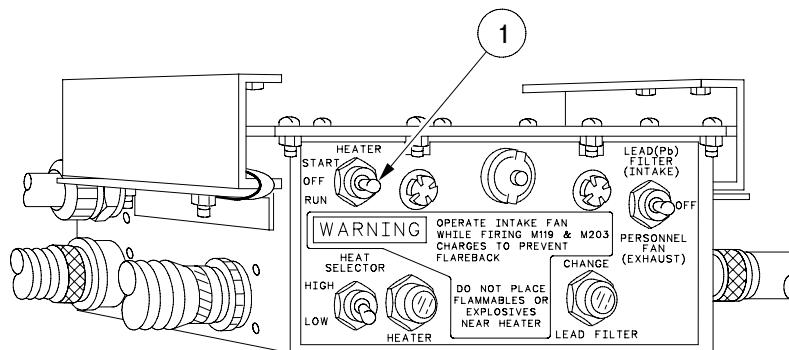
2-22.1.1.1 Starting.

- Turn MASTER switch to ON.
- Move HEAT SELECTOR switch (1) to START.

CAUTION

If recommended start times are exceeded, damage to the heater can result by burning out igniter or ignition control register.

- If heater does not start within 2 minutes, move HEATER control switch (1) to OFF for 10 seconds, and then immediately back to START. The start attempt may be continued for 1 additional minute.



06ph021ma

2-22 OPERATING AUXILIARY EQUIPMENT - CONTINUED

2-22.1.1 Operating Personnel Heater - Continued

2-22.1.1.1 Starting - Continued

- d. If heater has not started after step c, again move HEATER control switch (1) to OFF for 10 seconds, and then immediately back to START, and another 1-minute start attempt may be made. This will make a total start time of 4 minutes. If heater has not started by this time, notify unit maintenance.
- e. After the heater starts, move HEATER control switch to RUN position. The heater may be operated on either HIGH or LOW by positioning of the HEAT SELECTOR switch (2). Any time heater is started, it should be operated for at least 5 minutes to clear heater of all excess fuel introduced during starting.
- f. The heater lamp (3) will illuminate when HEATER control switch (1) is in START or RUN position.

2-22.1.1.2 Shutdown.

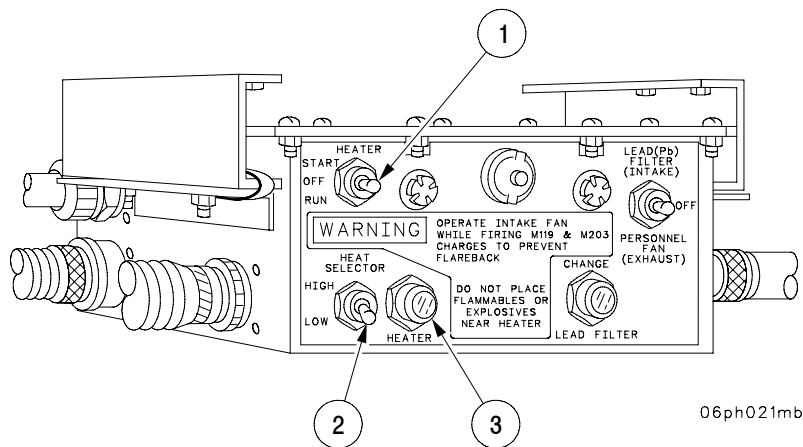
WARNING

Do not use the vehicle MASTER switch to shut the heater down. If the following instructions are not followed, fuel vapors may accumulate in the ventilating air circuit.

CAUTION

If proper shutdown procedures are not followed, heater may be damaged by reverse burning.

- a. To stop heater operation, move HEATER control switch (1) to OFF. Blower will continue to operate for approximately 3 minutes to allow system to cool.
- b. If blower continues to operate or otherwise malfunctions, notify unit maintenance.



06ph021mb

2-22 OPERATING AUXILIARY EQUIPMENT - CONTINUED

2-22.1.1 Operating Personnel Heater - Continued

2-22.1.1.3 Heater Operation Faults (Global A20)

Warning Faults

During operation, if an abnormal condition occurs, indicator light on heater control box will begin flashing and a code (07 or 14) will be displayed on diagnostic display. The heater will try to correct the fault. If fault cannot be corrected, heater will continue to operate until an unsafe condition or component failure FAULT occurs. Then heater will automatically shut down and a failure code will be displayed on the diagnostic display. (Refer to Table 1 Warning Faults). Go to para 3-4 and troubleshoot heater system.

Shutdown Faults

If, during operation, a shutdown fault occurs, the heater will immediately enter the shutdown and purge modes to avoid operating in an unsafe condition. The diagnostic display will display the fault mode and the control box indicator lamp will flash in cycle composing of one flash followed by a 2-second delay. Refer to Table 2 for Shutdown Faults. Then go to Table 3-1 and troubleshoot heater system.

E2	Low Fuel Pressure
F3	Heat Limit
F6	Ambient Over Temperature

Table 1. WARNING Faults

C3	Vent Fan Fault
E1	Low Voltage
E3	Low Burner Air Flow
F1	Ignition Overtime
F2	Burner Flameout
F4	Vent Air Overheat
F7	Exhaust Overheat

Table 2. SHUT DOWN Faults

If any other codes are displayed, notify unit maintenance.

2-22 OPERATING AUXILIARY EQUIPMENT - CONTINUED

2-22.1.1 Operating Personnel Heater - Continued

2-22.1.1.4 Emergency Shutdown

WARNING

In the event of an emergency shutdown, **DO NOT TOUCH** the heater or heat exchanger until it has had sufficient time to cool. Serious injury or burns could result.

NOTE

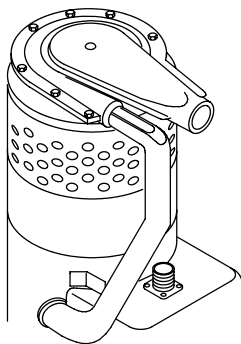
The heat exchanger remains at full temperature and the heater will not have completed a purge cycle.

In the event of an unsafe condition, and the heater does not automatically shutdown or respond to the manual shutdown procedure, and an emergency shutdown is required, perform the following sequence:

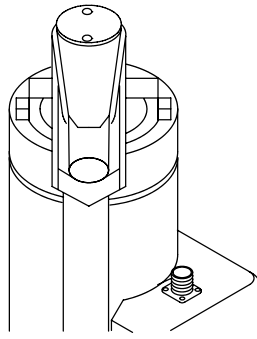
- a. Disconnect the power circuit breaker to the heater.
- b. Disconnect the heater power by detaching the MS power connection from the heater.

Manual Purge

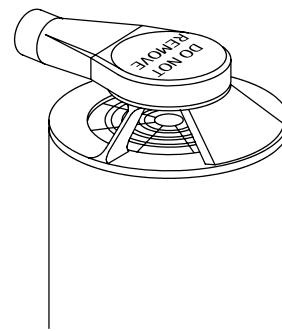
- a. Move START/OFF/RUN switch (1) to OFF position.
- b. Move START/OFF/RUN switch (1) on heater control box (2) momentarily to START position for at least 10 seconds, then to OFF. This will allow heater to purge. (This will take approximately four minutes.)



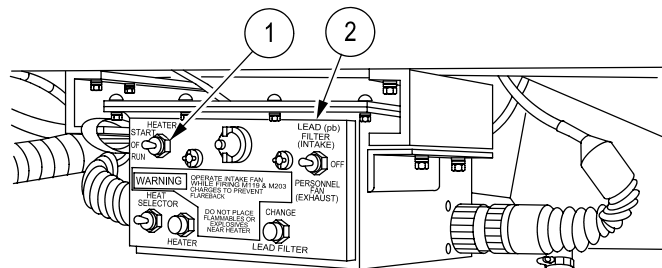
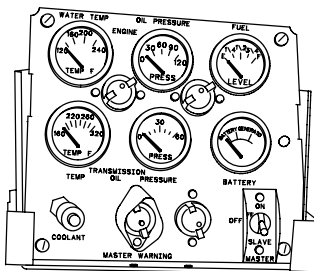
STEWART-WARNER



HUPP



GLOBAL



22ph039m

2-22 OPERATING AUXILIARY EQUIPMENT - CONTINUED

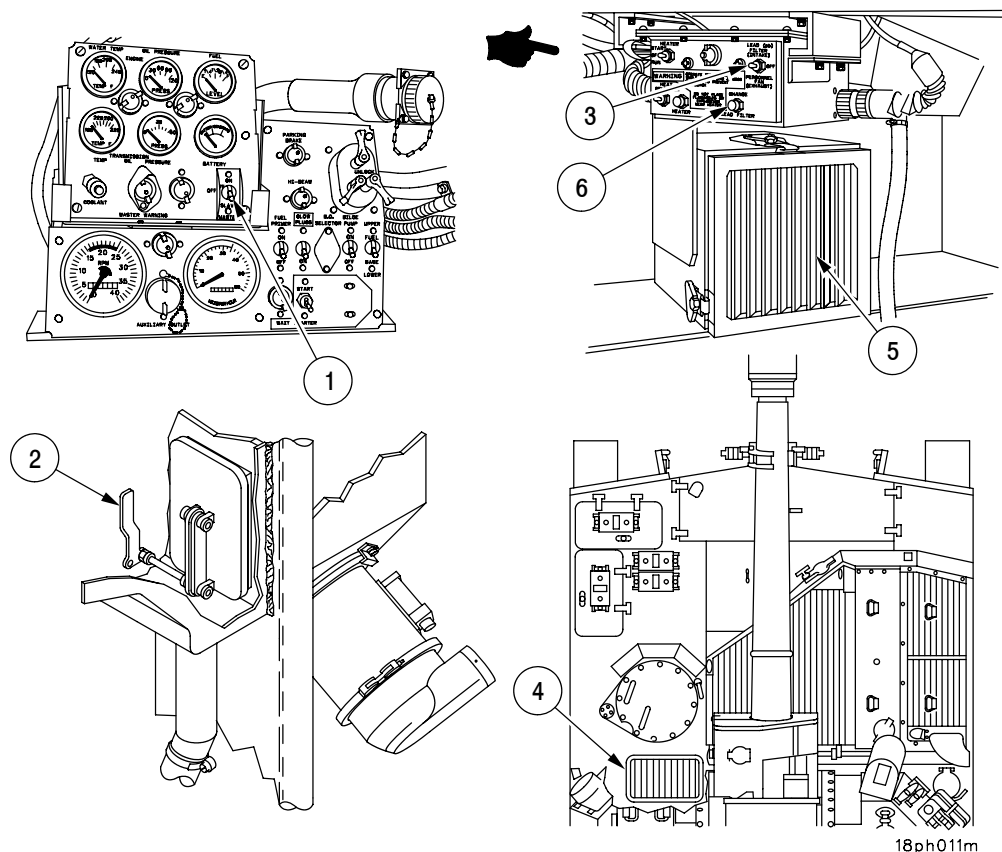
2-22.2 Operating Lead Filter and Ventilation System.

a. To pull in fresh air to vehicle interior:

- (1) Turn MASTER switch (1) ON.
- (2) Ensure air duct control handle (2) in driver's compartment is in the up position.
- (3) Move ventilation fan selector switch (3) to LEAD FILTER (INTAKE). Air will be pulled in through air intake/exhaust duct grille (4) and filtered out through lead filter element (5).
- (4) If CHANGE LEAD FILTER indicator lamp (6) illuminates during air intake mode, move the ventilation fan selector switch (3) to OFF and notify Unit Maintenance.

NOTE

Lead particulate filter system is serviced by Unit Maintenance.



18ph011m

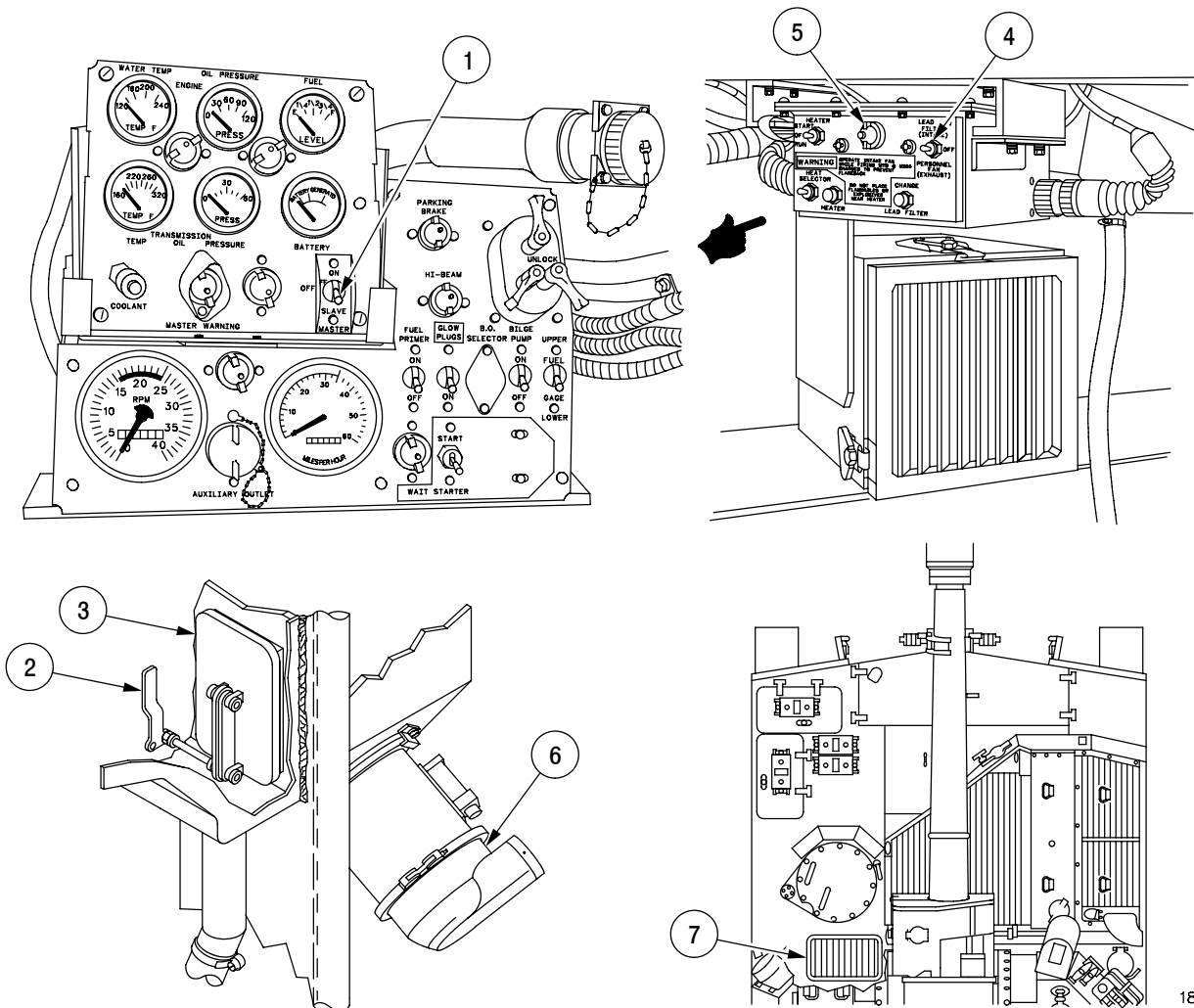
2-22 OPERATING AUXILIARY EQUIPMENT - CONTINUED

2-22.2 Operating Lead Filter and Ventilation System - Continued

- b. To ventilate smoke/fumes from vehicle interior:
 - (1) Turn MASTER switch (1) ON.
 - (2) Pull down air duct control handle (2) in driver's compartment to open door (3).
 - (3) Move ventilation fan selector switch (4) to PERSONNEL FAN (EXHAUST). The EXHAUST indicator lamp (5) will illuminate. Smoke and fumes will be pulled from vehicle interior by the ventilation blower (6) and exhausted through the air intake/exhaust duct grille (7).
 - (4) If the EXHAUST indicator lamp (5) fails to illuminate, move ventilation fan selector switch (4) to OFF and notify unit maintenance.

CAUTION

Operate Personnel Fan (Exhaust) switch on the Accessory Control Box with the Vent Duct Control Handle in DOWN position for 2 minutes when crew members observe fumes, smoke or indication of carbon monoxide build up in the crew compartment.



18ph017m

2-22 OPERATING AUXILIARY EQUIPMENT - CONTINUED

2-22.3 Operating M93 Chronograph Muzzle Velocity Sensor (MVS).

WARNING

Electrical power shall be removed (off) before disconnecting or connecting electrical connectors or removing or installing units or components. Inadvertent contact with voltages present may be fatal. Connector pins may be damaged by arcing.

CAUTION

The transeiver is suseptible to electrostatic discharge.

2-22.3.1 General.

The MVS is a muzzle velocity measurement system which operates on the Doppler Principle. The system is based on an X band transceiver and a muzzle velocity processor. The purpose of the M93 MVS is to provide accurate muzzle velocity reading for a projectile fired from the howitzer. The M93 MVS is designed to communicate measured projectile velocities via a Military Standard - 1533 Data Bus to the M109A6 Paladin Automatic Fire Control System (AFCS). This information can be used to provide a reasonable estimate of the average muzzle velocity for rounds to be fired for a new fire mission, thereby improving the possibility of a first round hit on the target.

2-2.3.2 Description of System.

The MVS system consists of the following components:

- a. M93 Radar Antenna Transceiver.
- b. W92 Power/Data cable.
- c. Mounting bracket with 1553 Bus terminator and storage connector.
- d. W93A (1553 Bus) cable assembly (connects MVS to AFCS).

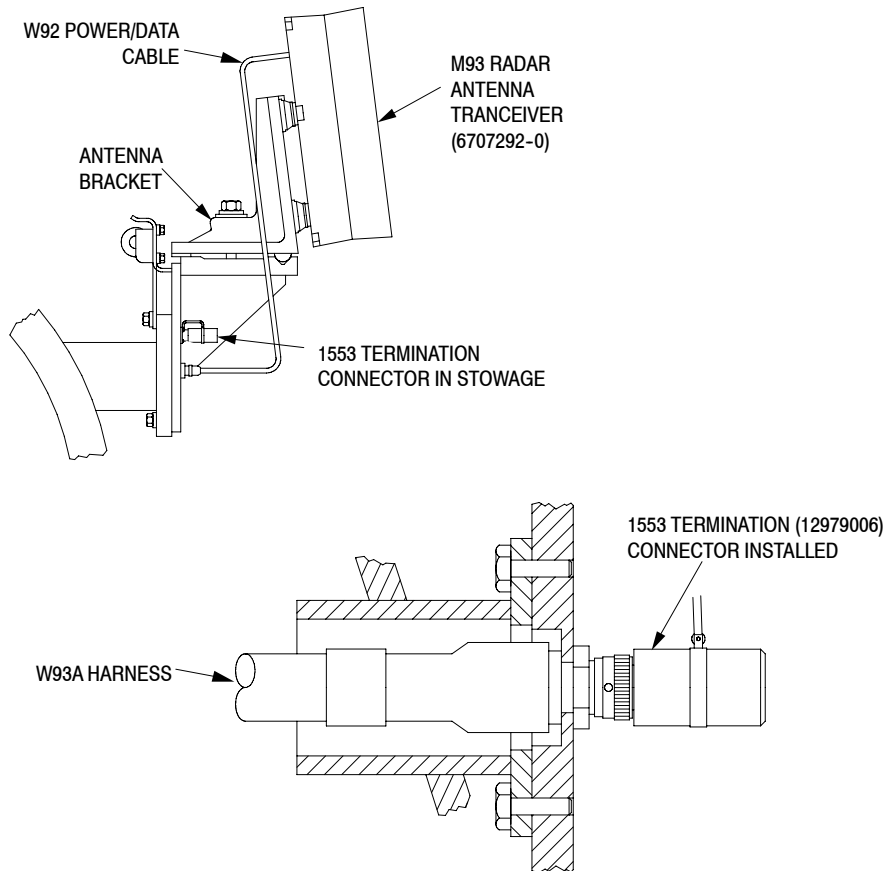
When not in use, the MVS can remain installed on the howitzer. If the MVS is not mounted on the howitzer, ensure that the termination connector is installed on the wiring harness W93A connector at the MVS mounting bracket. If the MVS must be stored it will be IAW TM 9-1290-356-14 & P. The MVS must be re-installed and connected prior to turning the vehicle MASTER power switch ON.

2-22.3.3 Purpose of MVS Equipment.

The purpose of the M93 MVS is to provide an accurate muzzle velocity reading for a projectile fired from a gun. The M93 MVS is designed to communicate measured projectile velocities, via a MIL-STD-1553 Data Bus to the M109A6 Paladin Automatic Fire Control System. This information can be used to provide a reasonable estimate of the average muzzle velocity for rounds to be fired for a new mission, thereby improving the possibility of a first round hit on the target.

2-22 OPERATING AUXILIARY EQUIPMENT - CONTINUED

2-22.3 Operating M93 Chronograph Muzzle Velocity Sensor (MVS) - Continued



2-22.3.4 Environmental Information.

The M93 MVS is designed to withstand adverse conditions which may be present during storage and operation. The M93 MVS will function properly without degradation under the following conditions:

- a. Operating temperatures from -50° to $+125^{\circ}$ F.
- b. Storage temperatures from -50° to $+150^{\circ}$ F.
- c. 0% to 95% relative humidity, including condensation.
- d. Shocks and vibrations present during fire and transport.
- e. High altitude during air transport.
- f. Rain, wind, sand and dust.
- g. Solar radiation (direct sunlight).
- h. Salt and fog.
- i. Environmentals leading to growth of fungus.

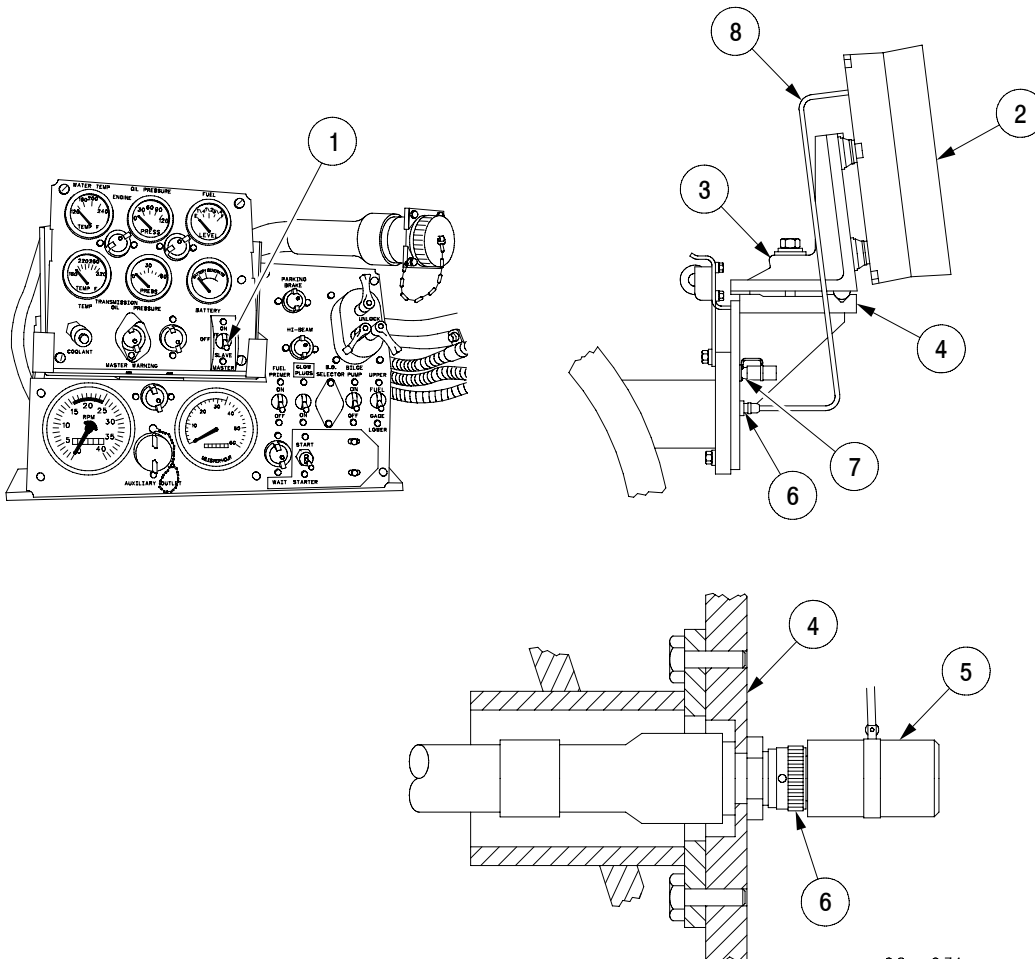
2-22 OPERATING AUXILIARY EQUIPMENT - CONTINUED

2-22.3 Operating M93 Chronograph Muzzle Velocity Sensor (MVS) - Continued

2-22.3.5 M93 MVS Installation Procedures.

NOTE

- M93 MVS must be installed and connected prior to turning the vehicle MASTER power switch ON.
 - Normally, the M93 MVS will not require cleaning of any internal parts because it is sealed against dirt and moisture. For cleaning instructions see Appendix K.
- a. Ensure vehicle MASTER switch (1) is in the "OFF" position.
 - b. Inspect M93 radar antenna head (2) for physical damage. Install antenna bracket (3) on mounting bracket (4).
 - c. Remove 1553 Bus terminator (5) from W93A cable connector (6) and connect to storage connector (7).
 - d. Inspect W92 cable (8) and W93A cable for nicks, cracks, pinched, crimped or broken wires and all connectors for bent pins, broken or cracked couplings and other damage.
 - e. Connect W92 cable (8) to M93 radar antenna (2) and W93A cable connector (6) and ensure all connectors are tight.



02pc031ma

2-22 OPERATING AUXILIARY EQUIPMENT - CONTINUED

2-22.3 Operating M93 Chronograph Muzzle Velocity Sensor (MVS) - Continued

2-22.3.6 Operational Sequence.

Chief Of Section (COS) duties:

- a. Power-up the AFCS.
- b. Check AFCS status.
- c. Initialize AFCS.

NOTE

To use the MVV, you must have an extended lot code in the AFCS inventory.

- d. Enter extended propellant lots.
- e. Enter the minimum number of rounds for MVV calculation as directed by the Tactical Standard Operating Procedures (TSOP).
- f. Prepare for Platoon Operation Center (POC)/Battery Computer System (BCS) sends Fire Missions digitally.

NOTE

The AFCS will calculate a solution; the AFCS will report an MVV to POC if certain requirements are met:

- AFCS processing a new MVV.
- Deletion of an MVV.
- If +/-2 meters per second change from previous MVV.

The AFCS must detect readings within +/-100 meters per second from standard. Additionally, the AFCS will not generate an MVV unless the "MVV ROUND" entry has been met or exceeded. The AFCS sends the MVV automatically to the POC/BCS. Once the AFCS receives acknowledgement from the BCS the system will apply the new MVV to the database.

2-22 OPERATING AUXILIARY EQUIPMENT - CONTINUED

2-22.3 Operating M93 Chronograph Muzzle Velocity Sensor (MVS) - Continued

2-22.3.7 Calibration Procedures.

NOTE

M93 MVS must be installed and connected prior to turning the vehicle MASTER power switch ON.

- a. Initialize the AFCS at an SCP.
- b. Receive a move order to a firing area and perform occupation procedures.
- c. Do a navigation update at an SCP (if necessary).
- d. Receive BCS PROVIDED AMMO from POC (one time only).
- e. Enter/verify extended lot for propellant.
- f. Set MVV ROUNDS as directed.
- g. Enter current propellant temperature.
- h. POC will request MVV's from AFCS (transparent to operator).
- i. From SET UP AND INFORMATION menu, select AFCS STATUS and ensure MVS is operational.
- j. From MAINTENANCE menu, select BORESIGHT entry and verify the AZ offset, roll offset, and the elevation offset against the DA Form 2408-4 Weapon Record Data (platoon sergeant is responsible for checking this data).
- k. Ensure borescope and pullover has been performed.
- l. Ensure a minimum of 50 meters between guns.
- m. Once everything is verified, conduct firing missions. (POC sends a WHEN READY digital fire mission).
- n. To view the MV acquired on the AFCS, EOM must first be sent. At EOM go to SETUP AND INFORMATION menu. Select MUZZLE VELOCITY and then select VIEW LAST MISSION DATA.

NOTE

For a more accurate MVV, ensure tube is warm or a warm up round has been fired.

2-22 OPERATING AUXILIARY EQUIPMENT - CONTINUED

2-22A.3 Operating Paladin Muzzle Velocity System (PMVS).

WARNING

Electrical power shall be removed (off) before disconnecting or connecting electrical connectors or removing or installing units or components. Inadvertent contact with voltages present may be fatal. Connector pins may be damaged by arcing.

CAUTION

The transceiver is susceptible to electrostatic discharge.

2-22A.3.1 General.

The PMVS is a muzzle velocity measurement system that operates on the Doppler Principle. The purpose of the PMVS is to provide accurate muzzle velocity reading for a projectile fired from the howitzer. This information can be used to provide a reasonable estimate of the average muzzle velocity for rounds to be fired for a new fire mission, thereby improving the possibility of a first round hit on the target.

2-22A.3.2 Description of System.

The PMVS system consists of the following components:

- a. Antenna/Processing unit.
- b. W92A Power/Data cable.
- c. Mounting bracket with W92A and dummy connector.
- d. W93B cable assembly (connects PMVS to PDFCS).

When not in use, the PMVS can remain installed on the howitzer. If the PMVS is not mounted on the howitzer, make sure the wiring harness W92A P1 is installed in the dummy connector at the PMVS. If the PMVS must be stored it will be IAW Appendix E. The PMVS must be re-installed and connected to the PDFCS prior to turning the vehicle MASTER power switch ON.

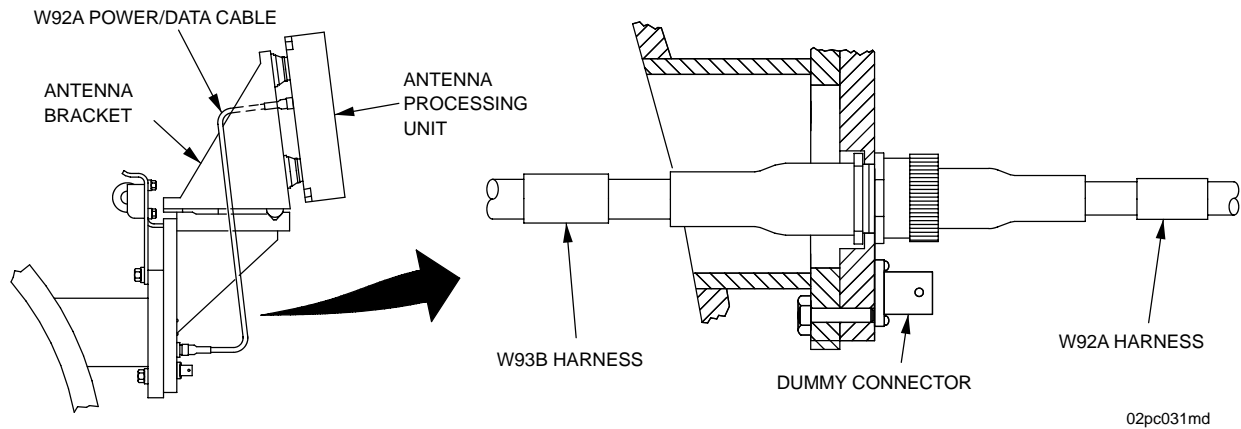
2-22A.3.3 Purpose of PMVS Equipment.

The purpose of the PMVS is to provide an accurate muzzle velocity reading for a projectile fired from a gun. The Doppler radar antenna transmits a microwave CW signal, receives the echoed signal from the projectile, and subtracts the transmitted signal from the received signal generating the Doppler signal. The Doppler signal is amplified and transferred to the digital processing part of the system.

The analog signal is converted to a digital representation and transmitted to the PDCU via the serial interface and also stored internally for later readout. This information can be used to provide a reasonable estimate of the average muzzle velocity for rounds to be fired for a new mission, thereby improving the possibility of a first round hit on the target.

2-22 OPERATING AUXILIARY EQUIPMENT - CONTINUED

2-22A.3 Operating Paladin Muzzle Velocity System (PMVS) - Continued



2-22A.3.4 Environmental Information.

The PMVS is designed to withstand adverse conditions which may be present during storage and operation. The PMVS will function properly without degradation under the following conditions:

- a. Operating temperatures from -50° to $+125^{\circ}$ F.
- b. Storage temperatures from -50° to $+150^{\circ}$ F.
- c. 0% to 95% relative humidity, including condensation.
- d. Shocks and vibrations present during fire and transport.
- e. High altitude during air transport.
- f. Rain, wind, sand and dust.
- g. Solar radiation (direct sunlight).
- h. Salt and fog.
- i. Environmentals leading to growth of fungus.

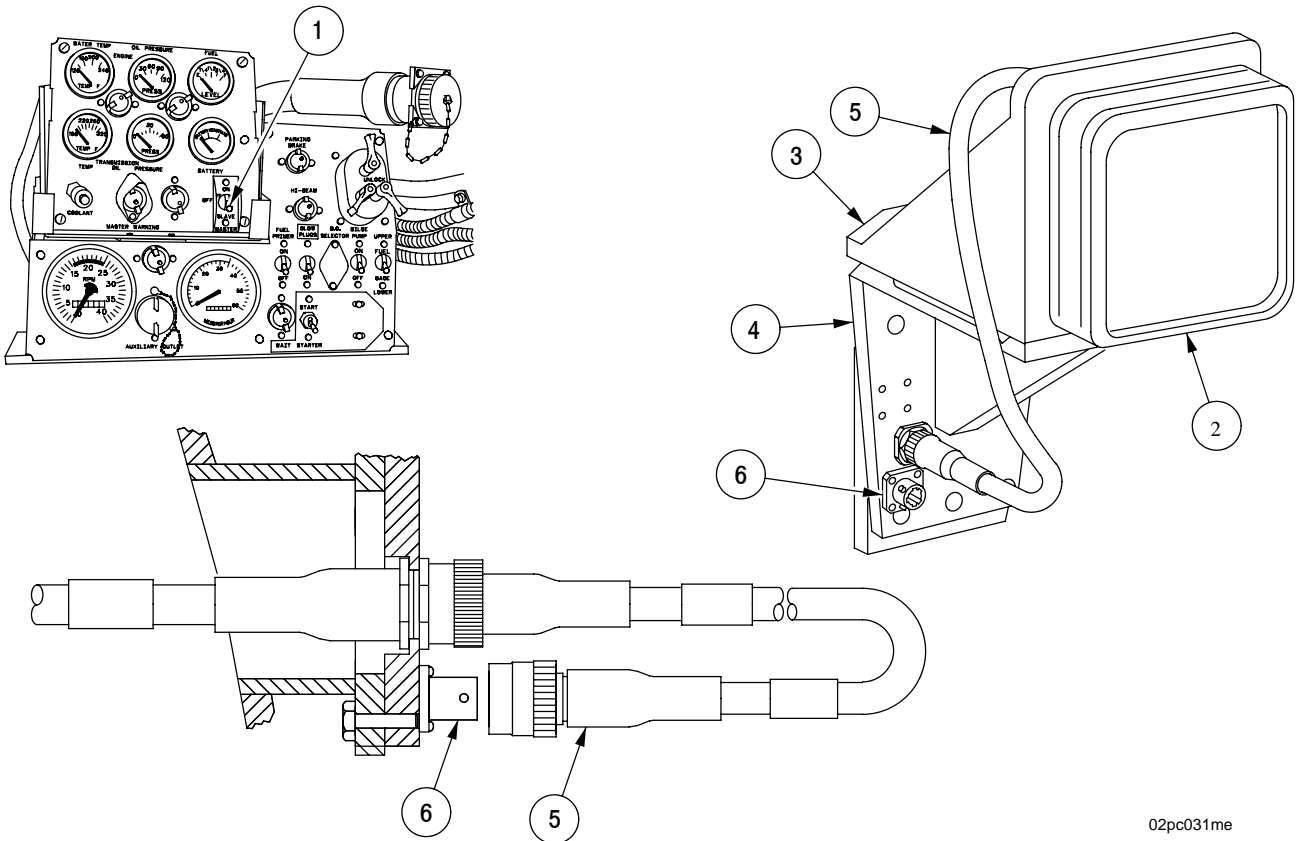
2-22 OPERATING AUXILIARY EQUIPMENT - CONTINUED

2-22A.3 Operating Paladin Muzzle Velocity System (PMVS) - Continued

2-22A.3.5 PMVS Installation Procedures.

NOTE

- PMVS must be installed and connected prior to turning the vehicle MASTER power switch ON.
 - Normally, the PMVS will not require cleaning of any internal parts because it is sealed against dirt and moisture. For cleaning instructions see Appendix K.1.
- a. Make sure vehicle MASTER switch (1) is in the "OFF" position.
 - b. Inspect Antenna/Processing unit (2) for physical damage. Install antenna bracket (3) on mounting bracket (4).
 - c. Inspect W92A cable (5) for nicks, cracks, pinched, crimped or broken wires and all connectors for bent pins, broken or cracked couplings and other damage.
 - d. Disconnect W92A cable (5) from dummy connector (6) and connect W92A cable (5) to Antenna/Processing unit (2).



02pc031me

2-22 OPERATING AUXILIARY EQUIPMENT - CONTINUED

2-22A.3 Operating Paladin Muzzle Velocity System (PMVS) - Continued

2-22A.3.6 Operational Sequence.

Chief Of Section (COS) duties:

- a. Power-up the PDFCS.
- b. Check PDFCS status.
- c. Initialize PDFCS.

NOTE

To use the MVV, you must have an extended lot code in the PDFCS inventory.

- d. Enter extended propellant lots.
- e. Enter the minimum number of rounds for MVV calculation as directed by the Tactical Standard Operating Procedures (TSOP).
- f. Prepare for Platoon Operation Center (POC)/Battery Computer System (BCS) sends Fire Missions digitally.

NOTE

The PDFCS will calculate a solution; the PDFCS will report an MVV to POC if certain requirements are met:

- PDFCS processing a new MVV.
- Deletion of an MVV.
- If +/-2 meters per second change from previous MVV.

The PDFCS must detect readings within +/-100 meters per second from standard. Additionally, the PDFCS will not generate an MVV unless the "MVV ROUND" entry has been met or exceeded. The PDFCS sends the MVV automatically to the POC/BCS. Once the PDFCS receives acknowledgement from the BCS the system will apply the new MVV to the database.

2-22 OPERATING AUXILIARY EQUIPMENT - CONTINUED

2-22A.3 Operating Paladin Muzzle Velocity System (PMVS) - Continued

2-22A.3.7 Calibration Procedures.

NOTE

PMVS must be installed and connected prior to turning the vehicle MASTER power switch ON.

- a. Initialize the PDFCS at an SCP.
- b. Receive a move order to a firing area and perform occupation procedures.
- c. Do a navigation update at an SCP (if necessary).
- d. Receive BCS PROVIDED AMMO from POC (one time only).
- e. Enter/verify extended lot for propellant.
- f. Set MVV ROUNDS as directed.
- g. Enter current propellant temperature.
- h. POC will request MVVs from PDFCS (transparent to operator).
- i. From SET UP AND INFORMATION menu, select PDFCS STATUS and ensure PMVS is operational.
- j. From MAINTENANCE menu, select BORESIGHT entry and verify the AZ offset, roll offset, and the elevation offset against the DA Form 2408-4 Weapon Record Data (platoon sergeant is responsible for checking this data).
- k. Ensure borescope and pullover has been performed.
- l. Ensure a minimum of 50 meters between guns.
- m. Once everything is verified, conduct firing missions. (POC sends a WHEN READY digital fire mission.)
- n. To view the MV acquired on the PDFCS, EOM must first be sent. At EOM go to SETUP AND INFORMATION menu. Select MUZZLE VELOCITY and then select VIEW LAST MISSION DATA.

NOTE

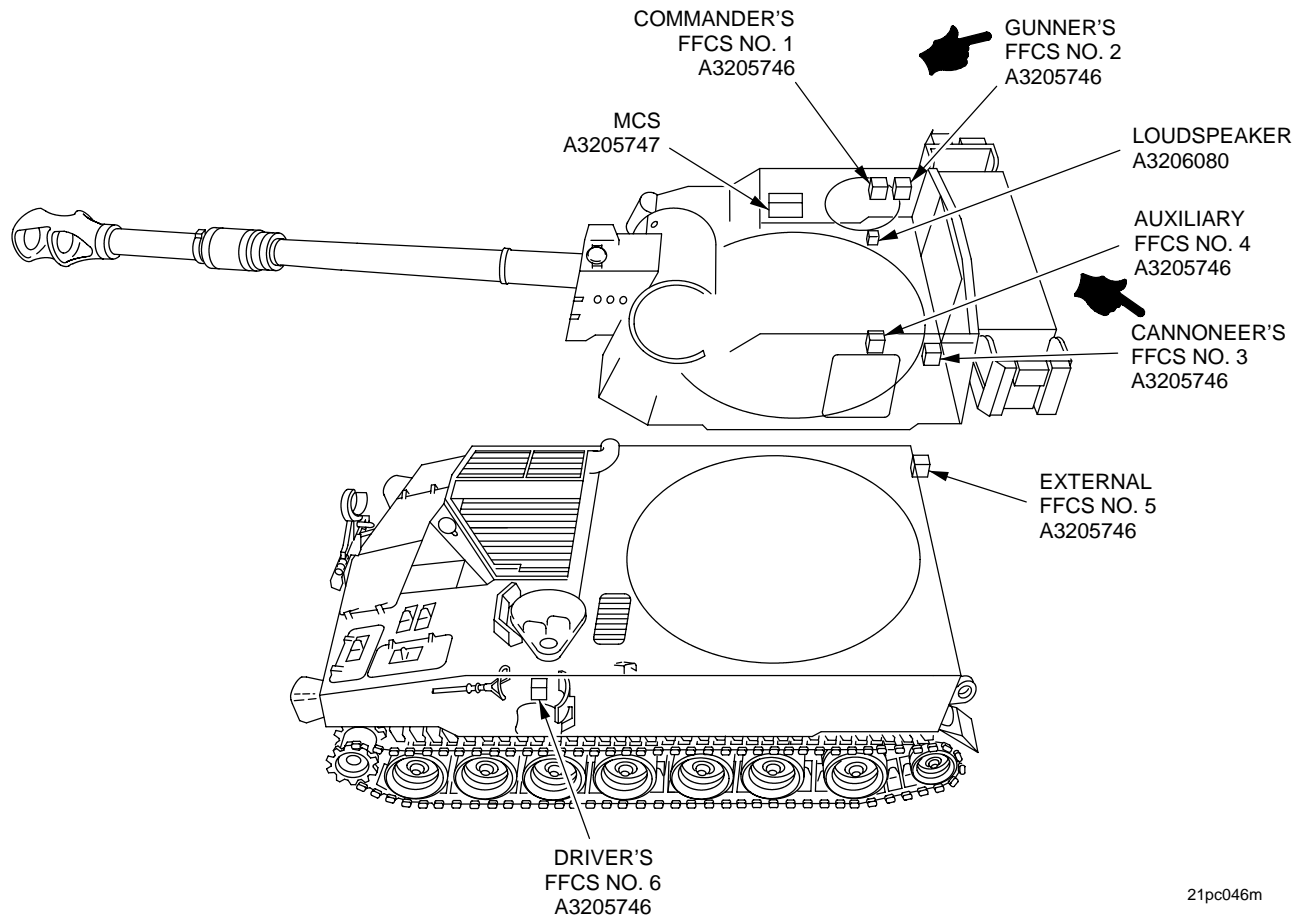
For a more accurate MVV, ensure tube is warm or a warm up round has been fired.

2-22 OPERATING AUXILIARY EQUIPMENT - CONTINUED

2-22.4 Operation of Radio and Intercommunication Equipment.

2-22.4.1 General.

- a. The vehicle is equipped with the vehicle intercommunications system (VIS) AN/VIC-3(V)-6. The AN/VIC-3(V)-6 improves vehicle communication among crewmembers by using: audio feedback within the helmets to reduce noise interference, advanced technology to increase audio clarity, and built-in-test equipment to aid in diagnostic and troubleshooting problems within the VIS. Refer to TM 11-5830-263-10 for operations, troubleshooting, and maintenance of AN/VIC-3(V)-6.
- b. The Master Control Station (MCS) CD-82/VCR can be programmed to control communications between stations and allow access of the crew stations to the on-board radios. It checks for the normal response from each FFCS and radio interface for comparison with the system configuration stored in memory.
- c. The Full Function Crew Station (FFCS) C-12357/VRC is used to interface the chief of section's and crew's intercom headsets to the MCS.
- d. The loudspeaker LS-688/VRC enables crewmembers without headsets to monitor intercom or radio traffic. When the vehicle is stationary it allows radio and intercom monitoring outside of the vehicle.



21pc046m

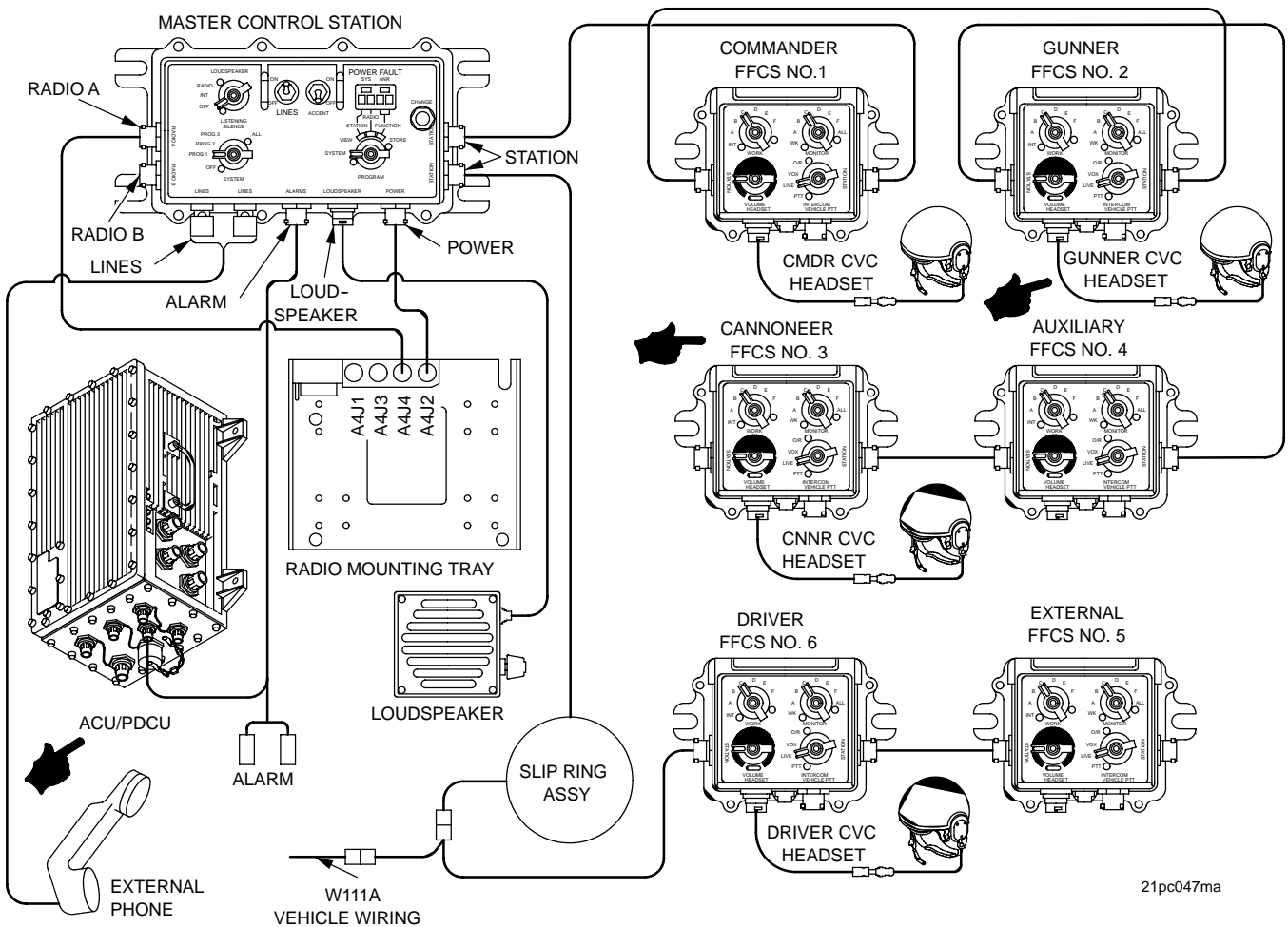
2-22 OPERATING AUXILIARY EQUIPMENT - CONTINUED

2-22.4 Operation of Radio and Intercommunication Equipment - Continued

2-22.4.2 Purpose of Communications Equipment.

The basic communications location diagrams illustrate the equipment interconnections. This equipment provides the following capabilities:

- The chief of section can communicate via his Combat Vehicle Crewman (CVC) helmet headset to his crew over the intercom. Two-way communication is possible.
- The chief of section and crewmembers can transmit/receive over the radio using the intercom.
- The AFCS/PDFCS can transmit/receive digital messages via the radio to and from the BCS or LCU.
- The chief of section can monitor radio communications between the AFCS/PDFCS and BCS or LCU.
- The chief of section has the capability to isolate intercom communications from radio traffic so that both can operate independently.
- The DU controls the operation of the AFCS/PDFCS and provides the chief of section with a means of entering data into the system (keyboard) and obtaining and displaying mission commands and data. The AFCS/PDFCS communicates via the radio (or wire lines) using digital data.



2-22 OPERATING AUXILIARY EQUIPMENT - CONTINUED

2-22.4 Operation of Radio and Intercommunication Equipment - Continued

2-22.4.3 Communication Equipment Manuals.

Refer to TM 11-206 for interphone controls C-980/U and C-981/U.

Refer to TM 11-5820-890-10 for Radio Set AN/VRC-89A.

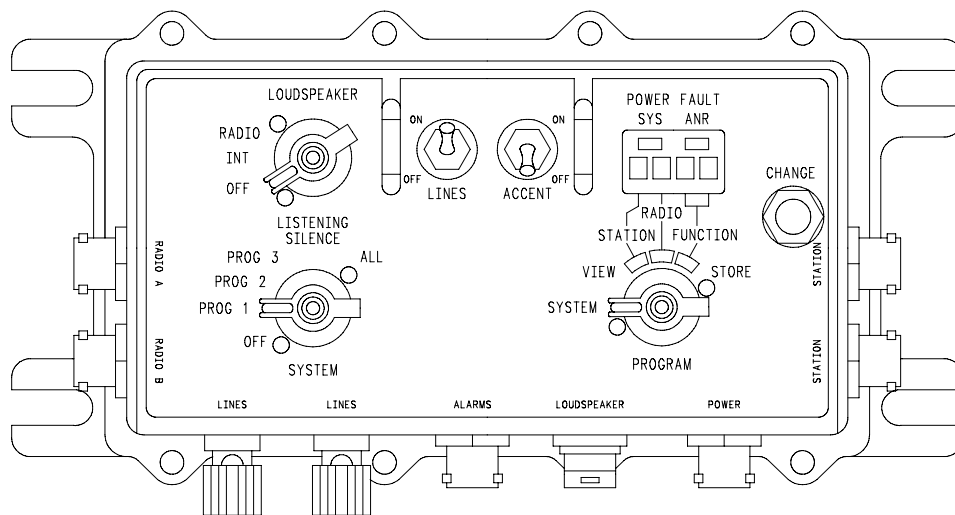
Refer to TM 11-5830-263-10 for operation and maintenance of vehicle intercommunications system AN/VIC-3(V)-6.

2-22.4.4 Communication Equipment.

a. Master Control Station (MCS) CD-82/VRC

The MCS is the central node of the VIS, connecting directly to vehicle prime power and providing the rest of the system with regulated power. The MCS is normally mounted near the commander's FFCS to allow the commander to program the radio management system according to the requirements of each crewmember. The MCS provides connections for two radio transceivers, vehicle alarms, a loudspeaker, and a pair of field wires (used to connect to a field telephone or to another intercom system). The MCS provides a regulated power supply to the major VIS components and to Active Noise Reduction (ANR) circuits in helmets outfitted with this capability. The unit has an internal protection system designed to survive large voltage or current transients that may be present on the power lines. If a system power fault occurs, the MCS removes power from the system and the System Power Fault LED illuminates. If a fault occurs with the ANR power, the MCS removes power from all ANR headsets and the ANR Power Fault LED illuminates.

The VIS interconnecting cables, hereinafter referred to as highway cables, are connected to each component of the vehicle intercom system using the two STATION connectors. The MCS enables the commander to select the system operating mode and to program the level of radio access available at each crew station. The MCS's programming capability allows for various communication configurations. The commander has three program modes that he can preset: PROG 1, PROG 2, and PROG 3. Nonvolatile memory stores programming information so the system can be turned off without losing any preset programming information.



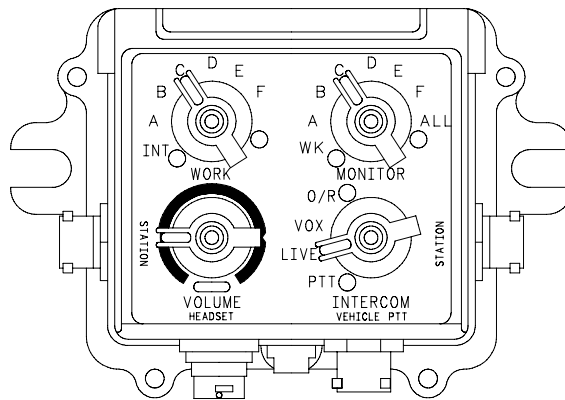
2-22 OPERATING AUXILIARY EQUIPMENT - CONTINUED

2-22.4 Operation of Radio and Intercommunication Equipment - Continued

2-22.4.4 Communication Equipment - Continued

b. Full Function Crew Station (FFCS) C-12357/VRC

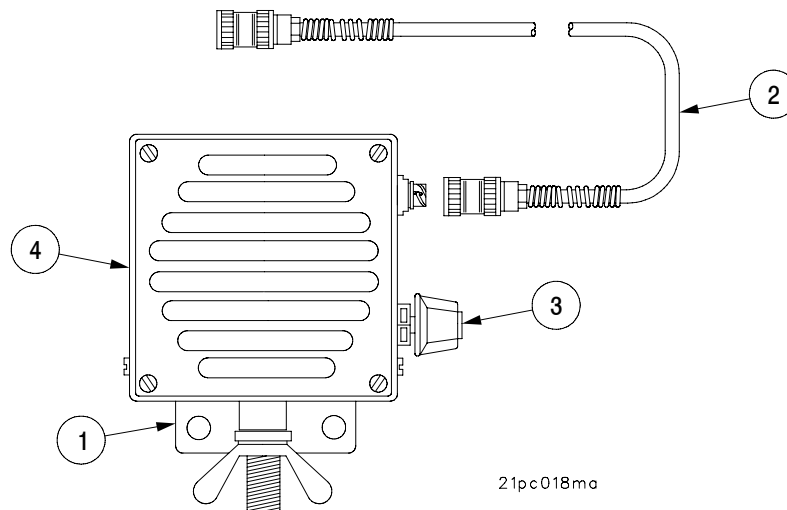
The FFCS is the interface between the VIS system and a single headset. The FFCS allows independent control of headset volume. It also provides the crewmember with access to the intercom channel and up to six on-board radios, subject to the system operating mode and MCS radio access programming. The crewmember can monitor any or all radios in addition to transmitting on any one selected radio (with the further option of eliminating or continuing intercom communication).



21pc011m

c. Loudspeaker (LS) -LS-688/VRC

The LS unit consists of: mounting bracket (1), cable and connector assembly (2), volume control with on/off switch (3), and speaker cone housed in a casing (4). The front face of the casing has rows of louvered slots covering the majority of its surface area. This louvered front face protects the speaker from rain, dirt, and debris. It connects to the MCS's LOUDSPEAKER connector or any crew station HEADSET connector through either a 6 foot or 30 foot cable. The loudspeaker attaches to its mounting bracket with a large wing nut. This allows removal from the bracket and unrestricted placement anywhere inside or outside the vehicle (within reach of the cable).



21pc018ma

2-22 OPERATING AUXILIARY EQUIPMENT - CONTINUED

2-22.4 Operation of Radio and Intercommunication Equipment - Continued

2-22.4.4 Communication Equipment - Continued

d. Combat Vehicle Crewman's (CVC) Headset

The CVC headset is a headset compatible with the DH-132 ballistic helmet shell. Small, medium, and large sizes are available. The liner for each size contains fire-resistant fabric and bump-protection foam. It adjusts to fit individual heads by means of front and rear straps. The adjustable chin strap is provided to ensure a tight fit for proper ANR operation. The helmet has two rigid, contoured, noise-attenuating earcups that fit into the helmet liner and can rotate to ensure proper sealing to the head.

The microphone and headset communications kit consists of a noise-cancelling microphone mounted on an adjustable wire boom off the right earcup. The left earcup has a three-position PTT switch mounted on the outside. The switch is spring-loaded to the center (disabled) position. The switch also has a momentary forward push-to-talk (PTT) position and a fixed rear live intercom position. Each earcup contains an independent Active Noise Reduction (ANR) system in addition to the Passive Noise Reduction (PNR) provided by earcup acoustic attenuation. The ANR/PNR selection switch is on the right earcup. The ANR system, which is activated when the switch is in the rear position, reduces background noise within each earcup. Noise cancellation circuitry of the microphone reduces the noise level entering the intercom system, permitting better voice intelligibility. The headset is connected to VIS via a standard audio connector and bailout cable which incorporates a quick-disconnect bailout connector to enable rapid disconnection from the system. The bailout cable provides all electrical interfaces between the CVC headset and its crew station.

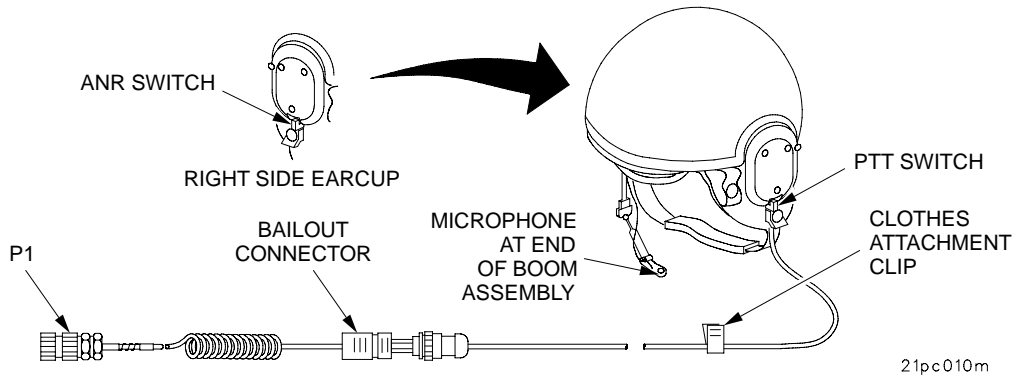


Table 2-2. CVC Headset Major Components and Function

COMPONENT	FUNCTION
Microphone	Inputs crewmember audio communication into intercom or radio channel.
PTT switch	Used when transmitting on intercom channel (fixed position) or radio (momentary position). Center position is used to listen to intercom and/or radio.
Clothes attachment clip	Used to dress headset cable out of way to prevent entanglement or interference.
Bailout connector	Provides quick-disconnect for crewmember.
P1.	Standard audio cable connector interfaces headset with an FFCS or MOS.
ANR switch	Used to reduce vehicle noise heard by crewman (rear position).

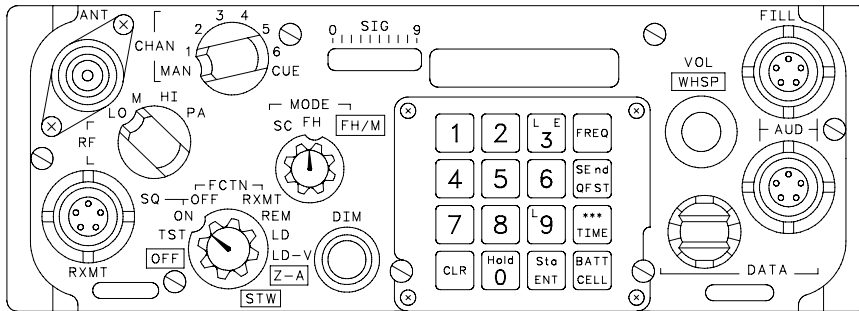
2-22 OPERATING AUXILIARY EQUIPMENT - CONTINUED

2-22.4 Operation of Radio and Intercommunication Equipment - Continued

2-22.4.5 Operation.

NOTE

Complete operating instructions for the radio set AN/VRC-89A are in TM 11-5820-890-10.



21pc014m

The communication equipment can be operated in the following ways:

a. Voice.

EQUIPMENT	CONTROL	SETTING
FFCS C-12857/VRC	WORK MONITOR INTERCOM VOLUME	A ALL LIVE OR VOX ADJUST
MCS CD-82/VRC	SYSTEM PROGRAM LOUDSPEAKER LINES	PROG1 SYSTEM RADIO OFF
RADIO VRC-89A APPLIQUE	RF MODE FCTN VOL CHAN	LO (NORMAL OPERATION) FH SQ ON ADJUST SET TO NET FREQUENCY
PORTABLE CONTROL PANEL	DRIVER'S MASTER SWITCH	ON

2-22 OPERATING AUXILIARY EQUIPMENT - CONTINUED

2-22A.4 Operation of Radio and Intercommunication Equipment - Continued

2-22A.4.5 Operation - Continued

b. Intercom only.

EQUIPMENT	CONTROL	SETTING
FFCS C-12857/VRC	WORK MONITOR INTERCOM VOLUME	INT WK LIVE OR VOX ADJUST
MCS CD-82/VRC	SYSTEM PROGRAM LOUDSPEAKER	PROG1 SYSTEM INT
PORTABLE CONTROL PANEL	DRIVER'S MASTER SWITCH	ON

c. BCS-to-AFCS/PDFCS (digital data).

EQUIPMENT	CONTROL	SETTING
RADIO VRC-89A	RF MODE PWR FCTN VOL CHAN	LO (NORMAL OPERATION) FH SQ ON ADJUST SET TO NET FREQUENCY
PORTABLE CONTROL PANEL	DRIVER'S MASTER SWITCH	ON
AFCS/PDFCS	DU POWER SWITCH	ON

2-22 OPERATING AUXILIARY EQUIPMENT - CONTINUED

2-22.4 Operation of Radio and Intercommunication Equipment - Continued

2-22.4.5 Operation - Continued

NOTE

The only time the COS would have to monitor BCS-to-AFCS/PDFCS traffic is when the platoon is using the same frequency for voice and digital or when one radio is out and they must use one radio for both voice and digital.

- d. Chief of Section Monitors BCS-to-AFCS/PDFCS (Always Performed Before Making Voice Transmission to POC).

EQUIPMENT	CONTROL	SETTING
MCS CD-82/VRC	SYSTEM PROGRAM LOUDSPEAKER LINES	PROG1 SYSTEM RADIO OFF
FFCS C-12857/VRC	MONITOR VOLUME WORK	ALL ADJUST A
RADIO VRC-89A	RF MODE FCTN VOL CHAN	LO FH SQ ON ADJUST SET TO FDC FREQUENCY
PORTABLE CONTROL PANEL	DRIVER'S MASTER SWITCH	ON
AFCS/PDFCS	DU POWER SWITCH	ON

- e. Chief of Section Talks to POC by Radio (Chief of Section Always Monitors BCS-to-AFCS/PDFCS Before Transmitting).

EQUIPMENT	CONTROL	SETTING
MCS CD-82/VRC	SYSTEM PROGRAM LOUDSPEAKER LINES	PROG1 SYSTEM RADIO OFF
FFCS C-12837/VRC	MONITOR VOLUME WORK	ALL ADJUST A
RADIO VRC-89A	RF MODE FCTN VOL CHAN	LO FH SQ ON ADJUST SET TO FDC FREQUENCY
PORTABLE CONTROL PANEL	DRIVER'S MASTER SWITCH	ON
AFCS/PDFCS	DU POWER SWITCH	ON

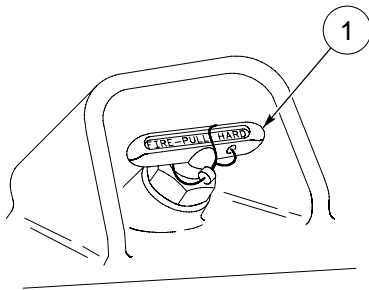
2-22 OPERATING AUXILIARY EQUIPMENT - CONTINUED

2-22.5 Operating Fire Extinguishing System (FES).

WARNING

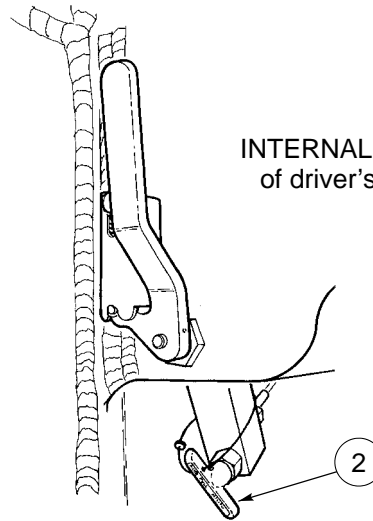
- The Fire Extinguishing System does not work properly with the engine running.
- Open doors and hatches and exit vehicle if possible. Ventilate before re-entry.
- Fire extinguisher CO₂ can cause performance degradation, headache, and dizziness. Do not bang or drop cylinder.
- Immediately notify other crewmembers, particularly the driver, of fire detection and intent to use the portable extinguisher CO₂.
- Open doors and hatches and exit vehicle if possible. Ventilate vehicle before re-entry.
- If not possible to exit vehicle, ensure vent blower is on.

Shut down engine. Manually discharge FES into engine compartment by pulling either of the two handles (1 or 2).



hiph1009

EXTERNAL: Located to left rear of driver's hatch.

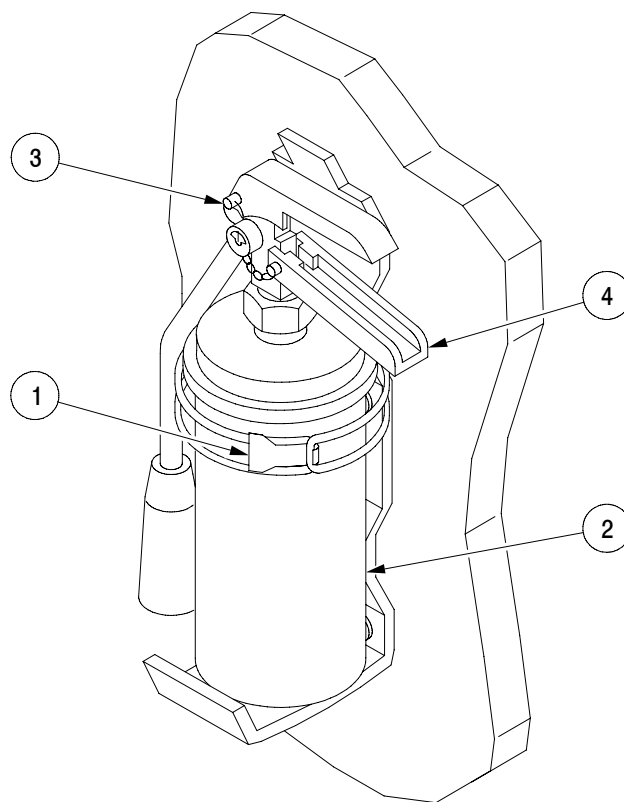


INTERNAL: Located to rear of driver's compartment.

2-22 OPERATING AUXILIARY EQUIPMENT - CONTINUED

2-22.6 Operating Portable Fire Extinguishers.

- a. Pull latch (1) and remove fire extinguisher (2).
- b. Break safety wire and remove safety pin (3).
- c. Squeeze trigger (4) to operate.
- d. Aim nozzle at base of flames and direct discharge at the fire until it is extinguished.



76ph005m

2-22 OPERATING AUXILIARY EQUIPMENT - CONTINUED

2-22.7 Operating NBC Equipment.

2-22.7.1 General.

The NBC equipment consists of:

- (1) Microclimate Conditioning System (MCS)
- (2) MCS Control Panel
- (3) Distribution and heating system
- (4) Two MOPP suits and M42A1 mask for each crewmember
- (5) One vest for each crewmember

2-22.7.2 Functional Description.

- a. The MCS is a self-contained air-conditioning and filtering system located on the cab roof. The output is vented through the cab roof into the distribution and heating network.
- b. The distribution lines connect to M3 heaters, one near each workstation. Each heater outputs through hose and diverter valve through a quick-disconnect opening.
- c. From each opening a flexible hose connects, via a diverter valve, to a vest and M42A1 face mask. The suit and mask insulate the crewmember from gases, fluid droplets, and particulates. They also provide some protection from the alpha and beta emissions of radioactive fallout. The air to the suit is ducted through a vest to cool the crewmember.
- d. The MCS operating mode is selected at the MCS control panel near the gunner's station. Modes are: low or high air flow without cooling; or high air flow with cooling.
- e. Two warning lights are provided:
 - (1) CHANGE FILTER. Filter is clogged enough to degrade air flow and must be changed.
 - (2) FREON PRESSURE. Refrigerant pressure in air conditioner is outside design limits. See Table 3-1, Troubleshooting, Procedure 21, Step 1.
- f. For further information on the MOPP equipment, refer to FM 3-4.
- g. Engine must be idled at 1000 to 1200 rpms while operating the MCS.

CAUTION

To prevent propellant fumes, smoke and carbon monoxide in the cab when all hatches are closed be sure to set Lead Filter switch to ON (on the Accessory Control Box) and move Vent Duct Control Handle in UP position during all firings in suspected NBC environments.

2-22 OPERATING AUXILIARY EQUIPMENT - CONTINUED

2-22.7 Operating NBC Equipment - Continued

2-22.7.3 NBC Equipment Operation.

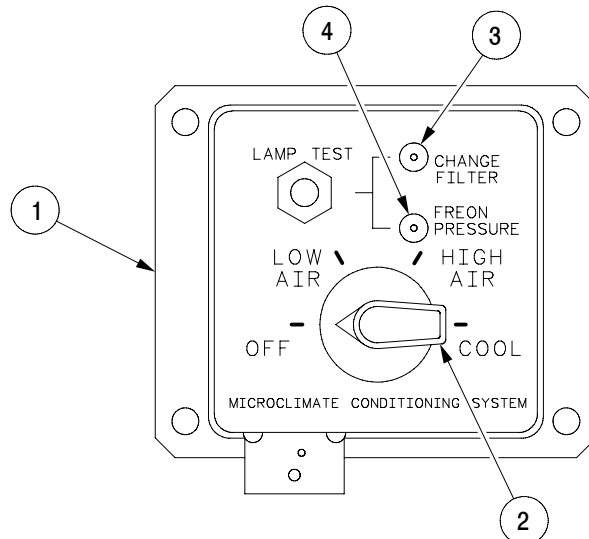
WARNING

Allow M3 heater to run 15 minutes before hooking up to protective mask. Ensure warm air is flowing or frostbite to lungs may occur.

- a. Put on vest, MOPP suit, and M42A1 face mask. Connect quick-disconnect hose to M42A1 mask carrier. Connect hose from mask into diverter valve output.
- b. At MCS Control Panel (1), use MCS mode switch (2) to select desired operation.
 - (1) LOW AIR. Low air flow, no cooling, heating with M3 Heater.
 - (2) HIGH AIR. High air flow, no cooling, no heating.
 - (3) COOL. High air flow, cooling, no heating.
- c. Observe the CHANGE FILTER (3) and FREON PRESSURE (4) warning lights. If CHANGE FILTER light is on, change filter (para 3-8.16). If FREON PRESSURE light is on, see Table 2-1, Item 29, Crewmember procedures "NOTE" and Table 3-1, Troubleshooting, Procedure 21, Step 1.
- d. Adjust diverter valve for air flow to mask and vest.

CAUTION

Whenever MCS or driver's station is not in use, ensure that driver's/cab quick-disconnect coupling is disconnected, the cap installed on the coupling, and the flex hose properly secured in the hook and loop fastener provided in the hull.

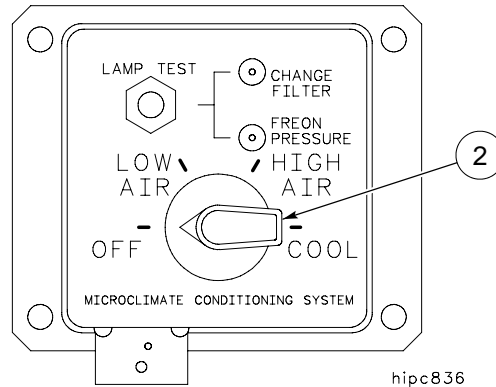


11pc004m

2-22 OPERATING AUXILIARY EQUIPMENT - CONTINUED

2-22.7 Operating NBC Equipment - Continued

- e. When NBC protection is no longer necessary, set MCS mode switch (2) to OFF. Disconnect hose at quick-disconnect opening on M42A1 mask carrier. Disconnect hose from diverter valve on mask. Connect diverter valve hose to stowage connection. Reconnect cab-to-hull transfer hose, and stow using Velcro straps provided.



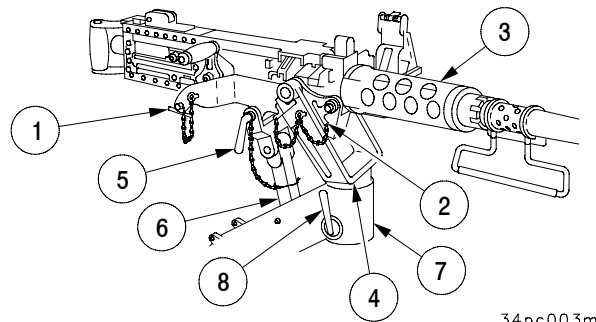
2-22.8 Cal .50 Machine Gun.

2-22.8.1 Removing Cal .50 Machine Gun.

- a. Remove rear locking pin (1), front locking pin (2), and machine gun (3) from pintle and cradle (4).
- b. Remove travel lock pin (5), from travel lock (6). Secure travel lock pin (5) to pintle support (7).
- c. Pull lock handle (8) down and remove pintle and cradle (4) from pintle support (7).

2-22.8.2 Installing Cal .50 Machine Gun.

- a. Pull lock handle (8) down and install pintle and cradle (4) in pintle support (7).
- b. Secure travel lock (6) to pintle and cradle (4) with travel lock pin (5).
- c. Install machine gun (3) in pintle and cradle (4) with front locking pin (2) and rear locking pin (1).



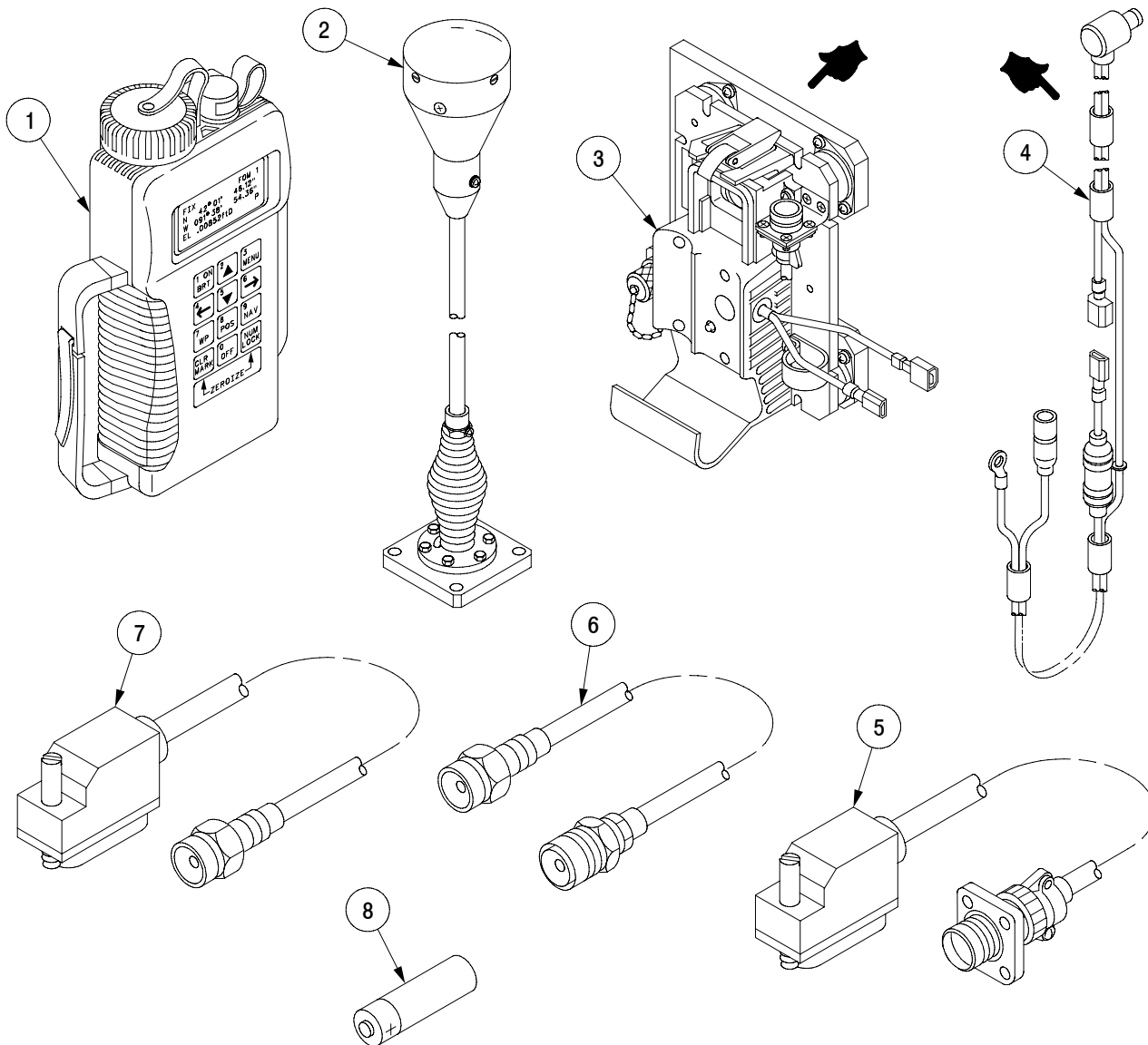
2-22 OPERATING AUXILIARY EQUIPMENT - CONTINUED

2-22.9 Operating the Precision Lightweight GPS (Global Positioning System) Receiver (PLGR)

2-22.9.1 General.

The PLGR consists of :

- | | |
|----------------------------|--------------------------------|
| (1) AN/PSN-11 | (5) CU W17A P4 Connector Cable |
| (2) External Antenna | (6) Antenna to Mount Cable |
| (3) Vehicle Mount | (7) Mount to AN/PSN-11 Cable |
| (4) Power Cable (External) | (8) Primary Battery |



21pc015m

2-22 OPERATING AUXILIARY EQUIPMENT - CONTINUED

2-22.9 Operating the Precision Lightweight GPS (Global Positioning System) Receiver (PLGR) - Continued

2-22.9.2 PLGR Installation.

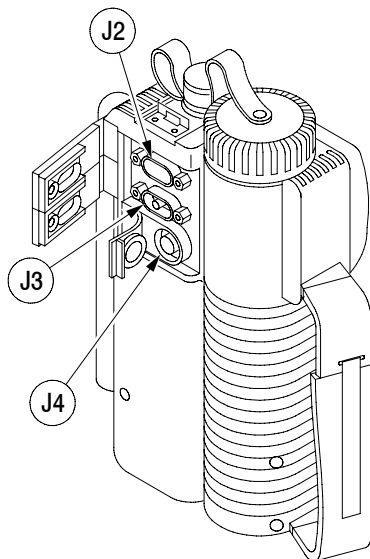
WARNING

When operating the PLGR on external power with BA-5800 lithium battery installed, the **“BATTERY MAY EXPLODE”**. Ensure battery is removed before connecting power cable to prevent serious injury or death.

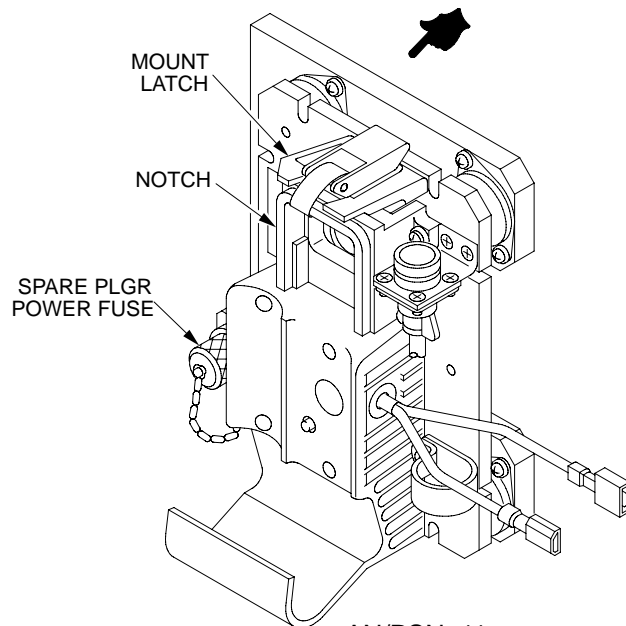
- a. Remove batteries from PLGR.

CAUTION

- The PLGR power fuse will blow if the center socket of power cable plug contacts the vehicle chassis. Make sure this plug is either connected to the PLGR or otherwise insulated (e.g. taped to the plastic PLGR mount) before turning on vehicle power.
 - When installing the PLGR in the vehicle the cables must be installed in the order as indicated in steps a. thru e. to prevent damage to the PLGR and the DRUH.
- b. Connect the antenna D-shell connector to PLGR J3 connector
 - c. Connect the W17A P4 D-shell connector to PLGR J2 connector.
 - d. Insert power cable plug onto PLGR J4 connector.
 - e. Slide the PLGR into its plastic mount and secure with the mount latch. When securing the PLGR, make sure the cables exit through the notch in the side of the mount.



AN/PSN-11
CONNECTORS



AN/PSN-11
VEHICLE MOUNT

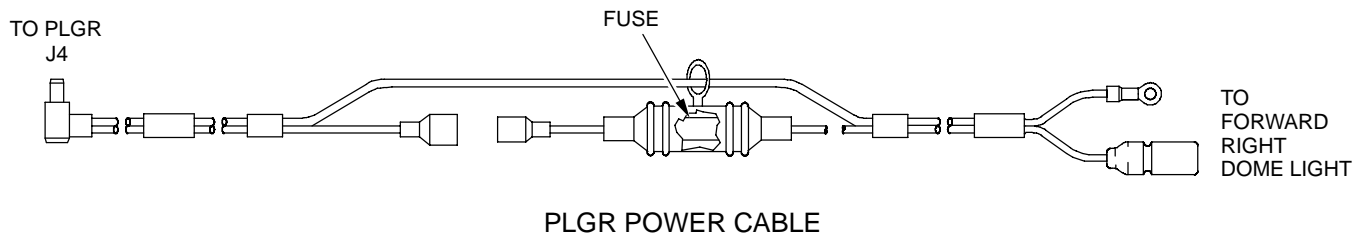
21pc019m

2-22 OPERATING AUXILIARY EQUIPMENT - CONTINUED

2-22.9 Operating the Precision Lightweight GPS (Global Positioning System) Receiver (PLGR) - Continued

2-22.9.3 PLGR Power Cable Fuse Replacement.

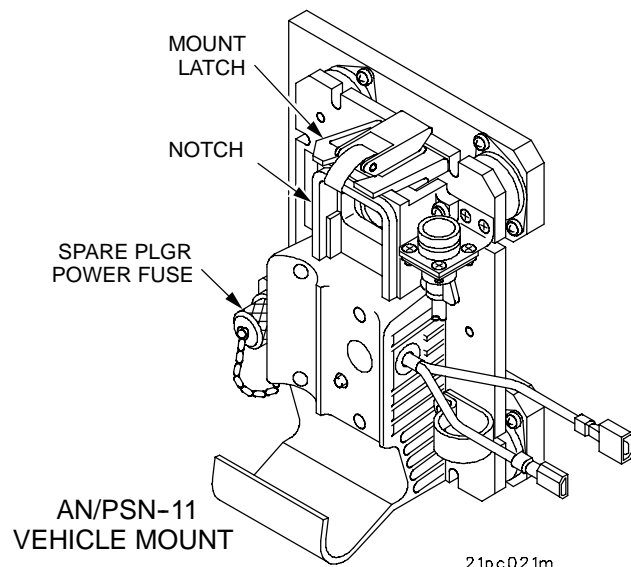
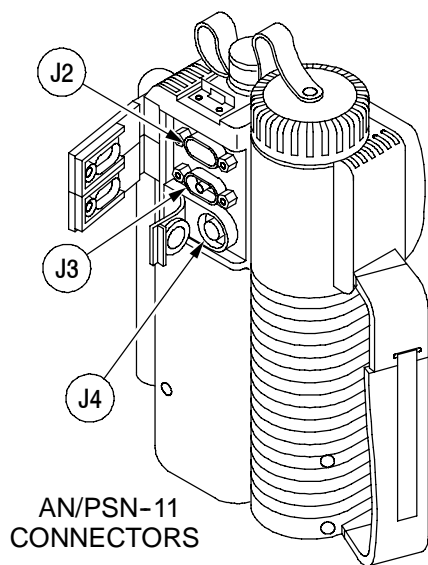
- a. Separate power cable connector fuse holder.
- b. Remove blown fuse.
- c. Remove new fuse from vehicle mount spare fuse holder.
- d. Install fuse in power cable connector fuse holder.



21pc020m

2-22.9.4 PLGR Removal.

- a. Slide PLGR from mount.
- b. Disconnect wiring harness W141 from PLGR J2 connector.
- c. Pull power cable plug from PLGR J4 connector and tape to mount.
- d. Disconnect the antenna D-shell connector from PLGR J3 connector.



21pc021m

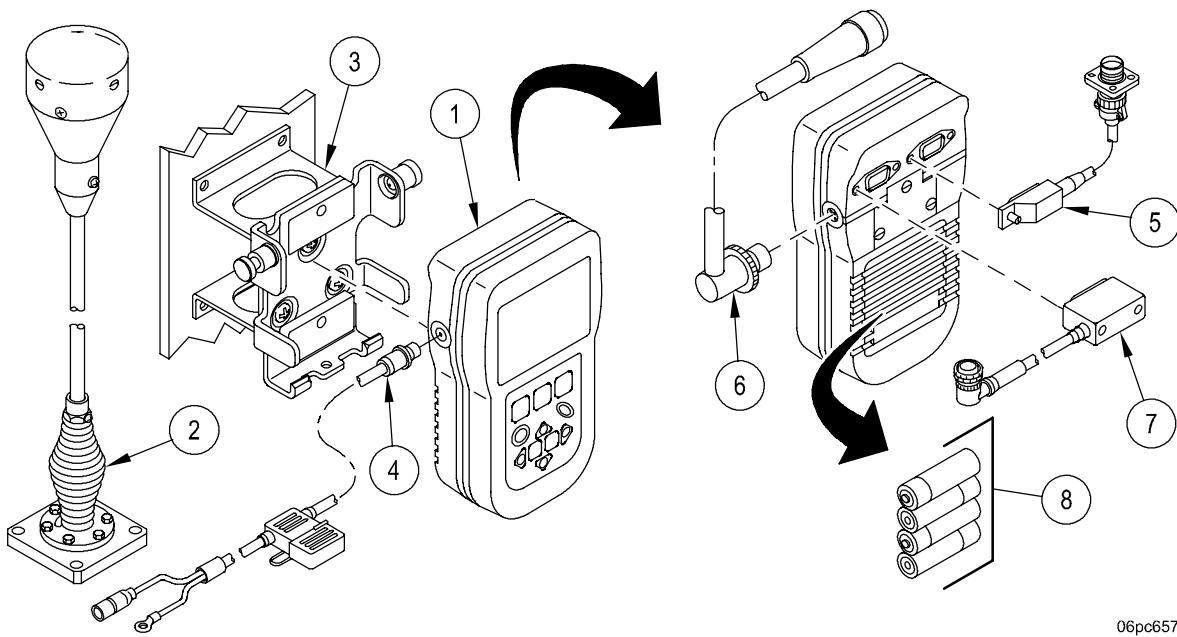
2-22 OPERATING AUXILIARY EQUIPMENT - CONTINUED

2-22.10 Operating the Defense Advanced GPS (Global Positioning System) Receiver (DAGR)

2-22.10.1 General.

The DAGR consists of:

1. AN/PSN-13
2. External Antenna
3. Vehicle Mount
4. Power Cable
5. Cable Assembly W141
6. Cable Assembly W143
7. Cable Assembly W153
8. Primary Batteries (four AA Batteries)



06pc657m

2-22 OPERATING AUXILIARY EQUIPMENT - CONTINUED

2-22.10 Operating the Defense Advanced GPS (Global Positioning System) Receiver (DAGR) - Continued

2-22.10.2 DAGR Installation.

WARNING

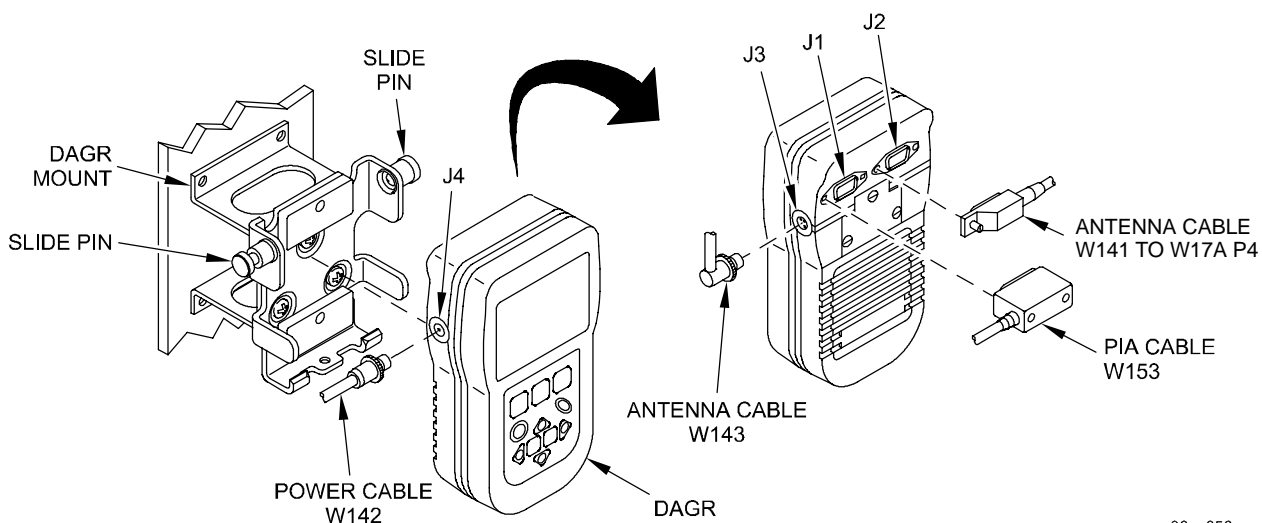
ALKALINE BATTERIES

Caustic potassium hydroxide gas may be released from leaking or ruptured batteries. Avoid eye or skin contact and inhalation of vapors. Increase ventilation. Wear safety glasses and rubber gloves when handling leaking batteries. Dispose in accordance with local regulation. Refer to TB 43-0134, Batteries, Disposition and Disposal for additional information.

NOTE

Before removing DAGR from DAGR mount, label wiring harness to aid in DAGR installation.

- a. Connect the antenna cable assembly W143 to DAGR J3 connector.
- b. Connect PIA cable assembly W153 to DAGR J1 connector.
- c. Connect cable assembly W141 to DAGR J2 connector.
- d. Connect power cable plug W142 to DAGR J4 connector.
- e. Pull outward on two slide pins located on mount and twist to lock into open position.
- f. Place DAGR into host platform mount and release slide pins.



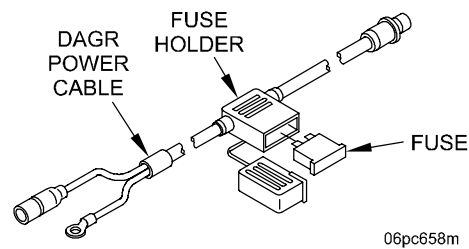
06pc656m

2-22 OPERATING AUXILIARY EQUIPMENT - CONTINUED

2-22.10 Operating the Defense Advanced GPS (Global Positioning System) Receiver (DAGR) - Continued

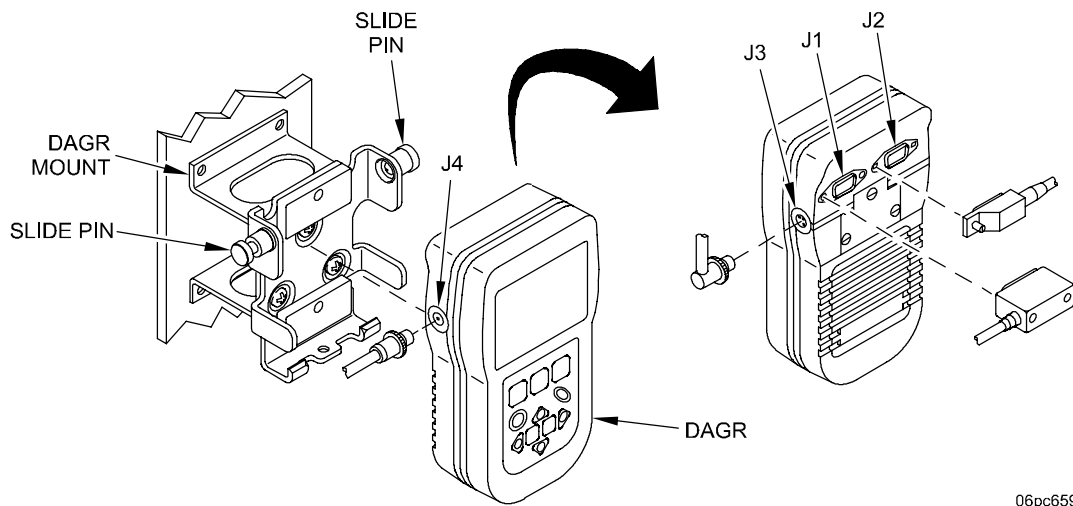
2-22.10.3 DAGR Power Cable Fuse Replacement.

- a. Ensure primary power to DAGR is off.
- b. Open the fuse holder to access the fuse.
- c. Remove blown fuse and replace with new fuse.
- d. Reconnect and securely close the fuse holder.
- e. Turn DAGR on and check for proper operation.



2-22.10.4 DAGR Removal.

- a. Turn off power to the DAGR.
- b. Remove any cables from connectors J1, J2, J3, or J4.
- c. Pull two slide pins located on mount outward, then twist slide pins to lock into open position.
- d. Remove DAGR from mount and release slide pins.



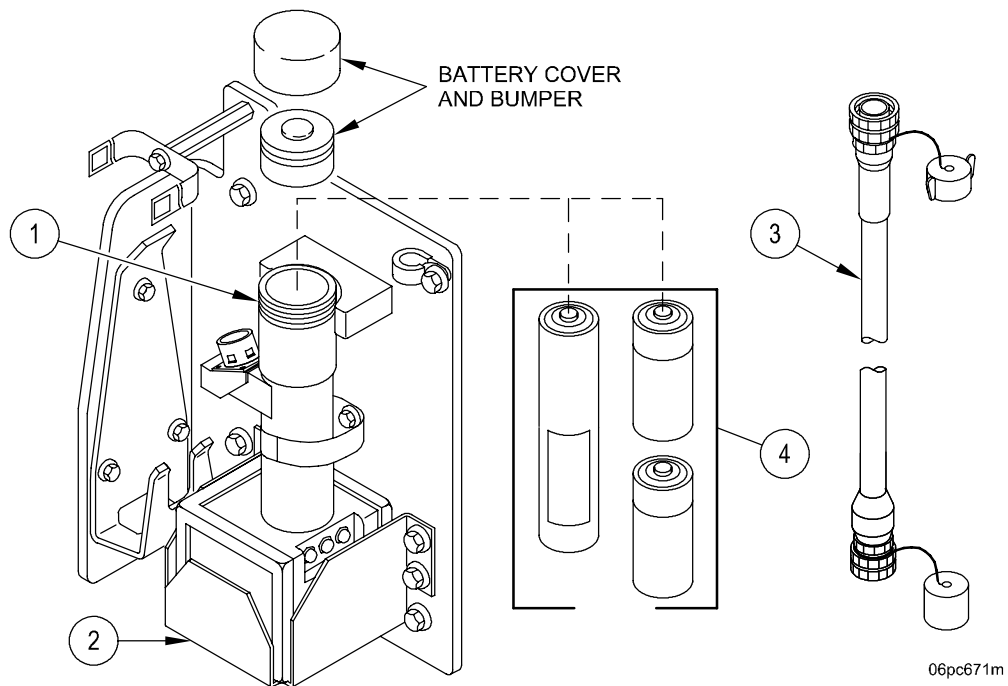
2-22 OPERATING AUXILIARY EQUIPMENT - CONTINUED

2-22.11 Operating the EPIAFS - Enhanced Portable Inductive Artillery Fuze Setter.

2-22.11.1. General.

The EPIAFS consists of:

1. Inductive Fuze Setter (IFS)
2. IFS mount
3. Cable assembly W150
4. Batteries (two D-cell or one BA-5800)



2-22 OPERATING AUXILIARY EQUIPMENT - CONTINUED

2-22.11 Operating the EPIAFS - Enhanced Portable Inductive Artillery Fuze Setter - Continued

2-22.11.2. EPIAFS operation.

WARNING

ALKALINE BATTERIES

Caustic potassium hydroxide gas may be released from leaking or ruptured batteries. Avoid eye or skin contact and inhalation of vapors. Increase ventilation. Wear safety glasses and rubber gloves when handling leaking batteries. Dispose in accordance with local regulation. Refer to TB 43-0134, Batteries, Disposition and Disposal for additional information.

WARNING

LITHIUM-SULFUR DIOXIDE (Li-SO₂) BATTERY, BA-5800

Li-SO₂ batteries contain pressurized SO₂ gas. The gas has a sharp pungent odor (characterized as "rotten egg" smell), and is highly toxic. the battery **MUST NOT** be abused in any way which may cause the battery to rupture. Always use these lithium battery precautions:

- If you hear a hissing sound (battery venting), or smell irritating gas, **IMMEDIATELY** turn off the equipment, and **LEAVE** the area. Ventilate area until smell of leaking gas has dissipated.
- **IMMEDIATELY** turn off the equipment if battery or battery compartment shows signs of overheating or becomes hot to the touch. Allow the battery to cool (at least 60 minutes) before removing it.
- Never charge, short circuit, mutilate, or dispose of lithium batteries in a fire, or in any way expose lithium batteries to excessive heat.
- When operating the EPIAFS on external power with BA-5800 lithium battery installed, the battery may explode. Ensure battery is removed before connecting power cable to prevent serious injury.
- Dispose of hazardous material and waste through the local servicing DRMO or via local contract. coordinate with local Installation/Environmental/Hazmat Officer to ensure conformance with federal, state and local environmental regulations.

2-22 OPERATING AUXILIARY EQUIPMENT - CONTINUED

2-22.11 Operating the EPIAFS - Enhanced Portable Inductive Artillery Fuze Setter - Continued

2-22.11.2. EPIAFS operation - Continued

WARNING

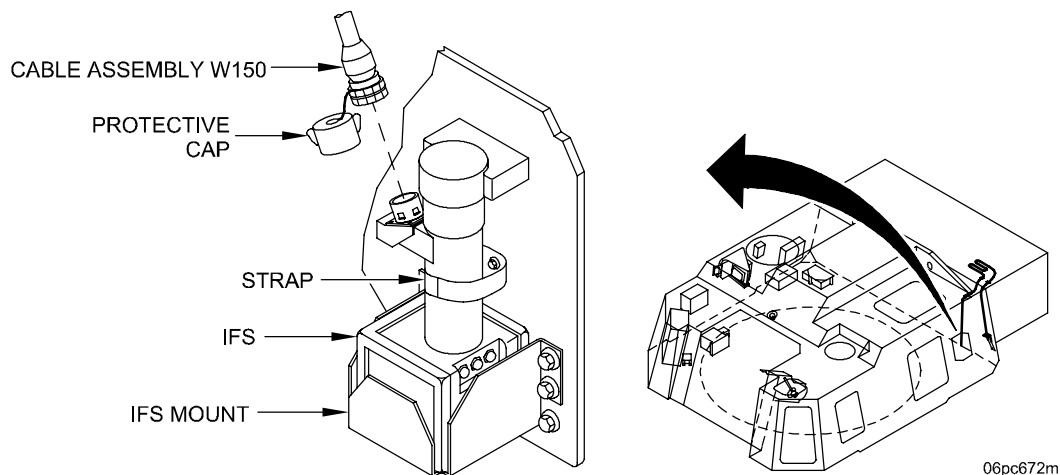
LITHIUM-SULFUR DIOXIDE (Li-SO₂) BATTERY, BA-5800 - CONTINUED

- Always store, operate, and dispose of lithium batteries in accordance with TB 43-0134, Technical Bulletin Battery Disposition and Disposal.

NOTE

The IFS can be operated using two standard alkaline D-cell batteries or one BA-5800 lithium battery. During cold weather operations, BA-5800 lithium battery pack must be used.

- Release strap and lift IFS from mount.
- Remove the connector protective cap and attach cable assembly W150.
- For operating procedures for EPIAFS, refer to TM 9-1290-211-13&P.



Section IV. OPERATION UNDER UNUSUAL CONDITIONS

2-23 GENERAL.

CAUTION

The AFCS Prognostic/Diagnostic Interface Unit (PDIU) and PDFCS Digital Computer Unit (PDCU) continuously monitors hydraulic system operation. Signals from the built-in sensors are interpreted by the PDIU/PDCU, which notifies the operator of unusual equipment conditions. Appendix G contains information on the types of PDIU messages displayed on the DU, and suggestions for appropriate operator action.

2-23.1 Vehicle.

- a. In addition to normal PMCS, special care in cleaning and lubrication must be observed where extremes of temperature, humidity and terrain conditions are present or anticipated.
- b. Use of sand bags for armor on the M109A6 bustle roof: For instructions to identify requirements for providing adequate protection for the M109A6 bustle when using sand bags as armor, and recommended methods of stacking and securing the sand bags to the bustle roof, see TB 9-2350-314-10.

NOTE

FM 21-17 contains important instructions on driver selection, training, and supervision. FM 21-306 gives driving instructions for operating equipment under all conditions.

2-23.2 Lubrication of Armament.

CAUTION

During lubrication of armament, be extremely cautious not to allow ice, snow, or water to mix with lubricants. Never use heavy or non-specified lubricants.

Refer to Appendix I. Additional instructions are:

- a. In temperatures below freezing, keep howitzer's moving parts free from moisture.
- b. During adverse conditions, lubricants should be changed more frequently to prevent damage to equipment.
- c. When not in use, howitzer should be covered. Clean and lightly lubricate breech mechanism. Do not apply any lubrication to firing pin. When cleaning, do not dilute or add anti-freeze to rifle bore cleaner. When you are through, store cleaning solutions in warm place, if available.
- d. Use CLP (Item 10, Appx D) in cleaning and lubing the M2 .50 cal machine gun to ensure proper functioning.

2-23 GENERAL - CONTINUED

2-23.3 Sighting and Fire Control Instruments.

NOTE

Where extremes of temperature, humidity and other conditions cause ballistic shield window to fog over, treat window with anti-fogging kit (item 2, Appx D).

These instruments should not be moved suddenly from cold to warm temperatures or vice versa. This may cause clouding of optics and corrosion of internal parts.

2-24 OPERATION IN EXTREME HEAT, HUMIDITY, OR SALTY CONDITIONS.

- a. When operating your vehicle in extreme heat, humidity, or salty conditions, observe the following Do's and Don'ts:
 - (1) DON'T....park your vehicle in the sun for long periods of time.
 - (2) DO....lubricate your weapons more frequently because oil evaporates.
 - (3) DO....clean and lube the howitzer bore and metal surfaces as often as needed.
 - (4) DO....lubricate weapon and mount when not in use per Appendix I and keep covers in place.
 - (5) DO....ensure that hydraulic cooling switch is ON.
- b. When operating your vehicle in dusty/sandy areas, observe the following:
 - (1) DON'T....spin your tracks while operating.
 - (2) DO....park vehicle under shelter; if none available, cover vehicle with tarpaulins.
 - (3) DO....keep all armaments lubricated and covered when not in use.
 - (4) DO....before firing machine gun, remove and lube bolt assembly, receiver, trigger, feed tray, cover assembly, barrel, and other moving parts.

2-25 OPERATION IN EXTREME COLD.

2-25.1 Operating Winterization Kit.

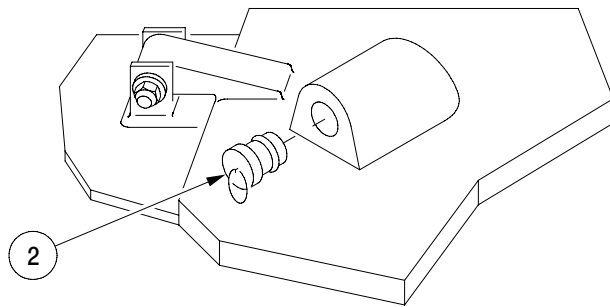
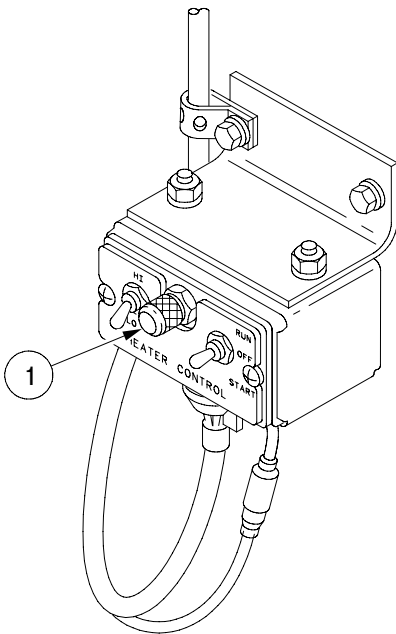
The winterization kit is installed by direct support maintenance. It is used in extreme cold (0° to -65°F) to prevent coolant from freezing after vehicle has been shut down.

- a. Both coolant level and fuel supply must be full.

NOTE

Heater will operate with MASTER switch either ON or OFF.

- b. Depress press-to-test light (1) to check for electrical current.
- c. Be sure engine coolant is at normal operating temperature. (You may have to start engine and bring coolant temperature up.)
- d. Remove heater exhaust outlet plug (2).
- e. Secure tarpaulins over air intake and exhaust grilles. Tarpaulins will help keep out the cold and retain heat from the winterization kit.



33ph002m

2-25 OPERATION IN EXTREME COLD - CONTINUED

2-25.2 Operating Coolant Heater.

2-25.2.1 Starting Heater.

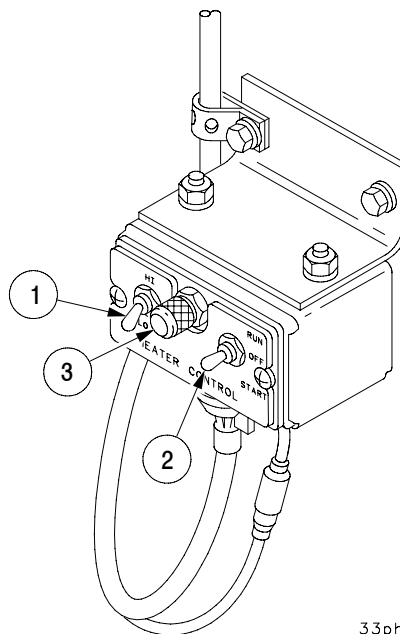
NOTE

After heater starts, it will keep working as long as you have fuel, electric current, air, and a flow of engine coolant. Heater will automatically stop if coolant temperature reaches 245°F. It has to be restarted by repeating starting procedure.

- a. Turn HI-LO switch (1) to HI.
- b. Hold START/RUN/OFF switch (2) at START.
- c. Indicator lamp (3) will light, indicating heater is operating. Immediately move START/RUN/OFF switch (2) to RUN position, without hesitating in the OFF position.
- d. Set HI-LO switch (1) for desired rate of heat. If set at HI, heater will automatically go to low heat when coolant temperature reaches 190°F. If coolant temperature falls below 120°F, heat control will return to high. LOW position is suitable when heater must burn for an extended period of time.

2-25.2.2 Stopping Heater.

Place START/RUN/OFF switch (2) at OFF. Heater will go to purge cycle. Fuel will shut off and burning will stop when remaining fuel in heater is exhausted. Blower will run at low speed until heater is cool and then heater will completely shut down.



33ph001m

2-25 OPERATION IN EXTREME COLD - CONTINUED

2-25.3 Cold Weather Starting (Below +40°F).

- a. If you have been using winterization kit, you must stop heater before trying to start engine. Remove tarpaulins and roll into smallest tube form. Secure tarpaulins with webbing assemblies. Install exhaust outlet plug.
- b. Charge batteries (especially after 24 hours of winterization kit operation).
- c. Press down on service brake pedal (1), pull out and down on brake lock handle (2), then release handle (2) to set brake.
- d. Shift transmission shift lever (3) into neutral (N).
- e. Make sure AFCS/PDFCS and radios are turned off.
- f. Turn MASTER switch (4) to ON; indicator lamp (5) will light.
- g. Place engine throttle (6) in full throttle position.
- h. Move GLOW PLUG switch (7) to ON; glow plug WAIT lamp (8) will illuminate and stay on.
- i. After 35 seconds, when WAIT lamp (8) flashes ON/OFF, move STARTER switch (9) to START to engage starter. Hold STARTER switch (9) ON for 2 or 3 seconds, but no more than 5 seconds. Do not move engine throttle (6).
- j. Engine should start and increase in speed. When engine speed (rpm) reaches 1500 to 1800 rpm on tachometer (10), reduce throttle and hold engine speed to 1200 to 1500 rpm on tachometer (10).

NOTE

- Attention should be focused upon WAIT lamp during start-up.
- Glow plugs are "ON" whether the WAIT lamp is illuminated continuously or flashing.
- The WAIT lamp will not light, or it will go out upon initiation of cranking, if voltage is insufficient.
- When STARTER switch is engaged, WAIT lamp will stop flashing and stay on for 1 minute after the release of the STARTER switch.
- If STARTER switch is not engaged within 1 minute after WAIT lamp starts to flash, glow plugs and WAIT lamp will turn off.

2-25 OPERATION IN EXTREME COLD - CONTINUED

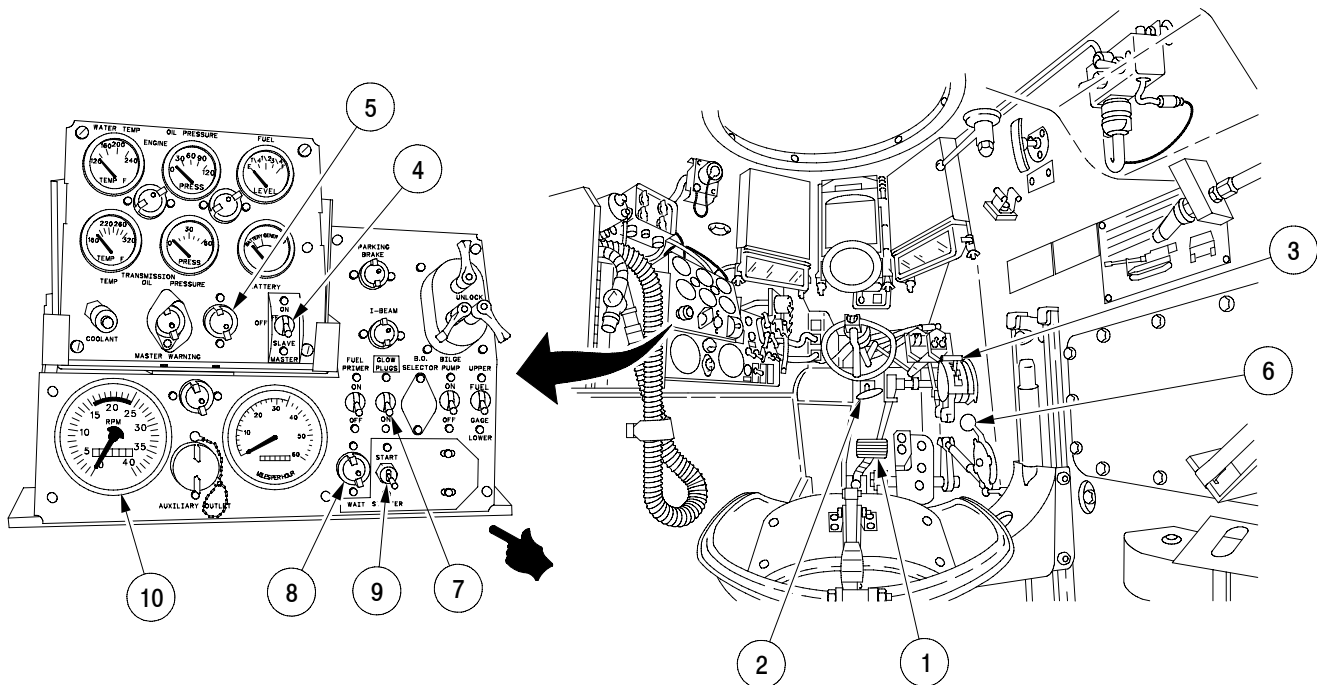
2-25.3 Cold Weather Starting - Continued

- k. If engine fails to start, wait 10 seconds and engage STARTER switch (9). If engine fails to start after four attempts, or if the WAIT lamp (8) does not illuminate, stop starting procedure and notify unit maintenance.

CAUTION

A manual override for glow plug equipped engines is used in emergencies only, as determined by the chief of section. Manual override is affected by holding on continually the spring loaded GLOW PLUG switch. Do not hold manual override switch on for more than 2 minutes.

- l. If engine does not start, or when WAIT lamp (8) does not illuminate, as determined by the chief of section, manual override may be used. Hold GLOW PLUG switch (7) in ON position; after 35 seconds, engage STARTER switch (9). When engine starts, continue to hold in GLOW PLUG switch (7) until engine speed reaches 1500 rpm on tachometer (10), and then release GLOW PLUG switch. If engine does not start after four attempts, stop starting procedures and notify unit maintenance.



18ph043m

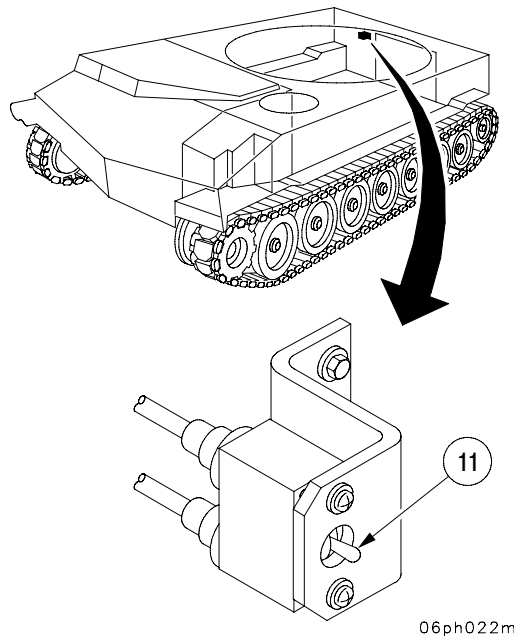
2-25 OPERATION IN EXTREME COLD - CONTINUED

2-25.3 Cold Weather Starting - Continued

CAUTION

STARTER PROTECTION OVERRIDE switch is to be used in emergencies only, as determined by COS. Do not make more than two attempts to start engine using STARTER PROTECTION OVERRIDE switch; damage to starter or low battery voltage may occur.

- m. If STARTER PROTECTION OVERRIDE switch (11) is used to start engine, do not make more than two attempts. If engine still does not start, stop starting procedure and notify unit maintenance.



2-25 OPERATION IN EXTREME COLD - CONTINUED

2-25.3 Cold Weather Starting - Continued

- n. With brakes still locked, set throttle to run engine at 1200 rpm and shift transmission to 4th gear position until engine coolant temperature gage indicates 120°F to 140°F. Then shift into neutral and idle engine. (If transmission temperature approaches 300°F during warmup, immediately shift to neutral, until temperature approaches normal range.)
- o. During warmup, refer to instrument panel checkout procedure (para 2-8.4).
- p. Shift transmission to 1st gear position and drive vehicle slowly 100 yards, being careful not to stall engine. This warms lubricants sufficiently for normal operation.

2-25.4 Driving Operations in Extreme Cold Weather.

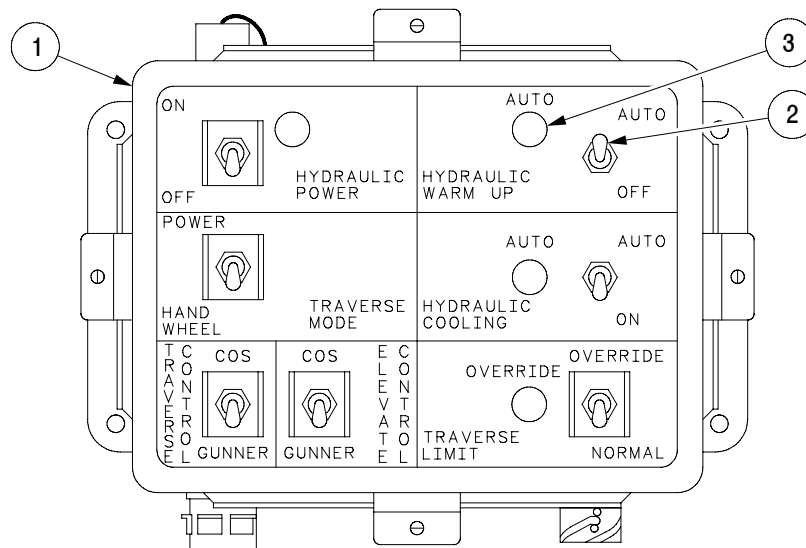
For driving operations in extreme cold weather, refer to FM 21-306 and FM 31-70.

2-25.5 Operating Hydraulic System in Extreme Cold Weather.

NOTE

Extreme cold weather increases the viscosity of hydraulic fluid. It must be warmed to bring the viscosity into the normal operating range before using the hydraulic system.

- a. On hydraulic control box (1) set HYDRAULIC WARM UP switch (2) to AUTO. The HYDRAULIC WARMUP light (3) will go on.
- b. Wait until HYDRAULIC WARMUP light (3) goes out before using hydraulic system.



03pc004m

2-25 OPERATION IN EXTREME COLD - CONTINUED

2-25.6 Operating Howitzer Cannon in Extreme Cold Weather.

CAUTION

In cold weather, ensure that travel lock is free of ice and snow before releasing or stowing gun tube.

NOTE

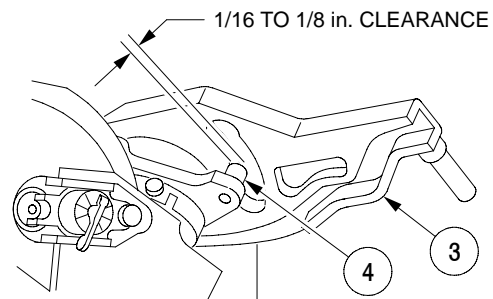
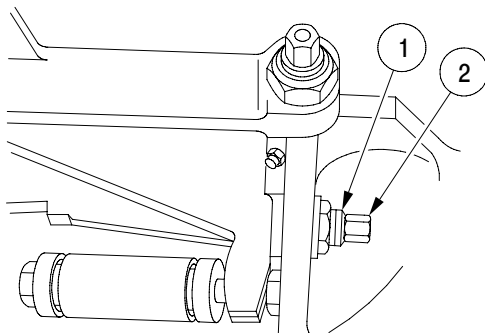
Extreme cold weather (-20°F to -65°F) slows down extension of counter recoil buffer to its maximum length for proper buffering action. You should operate breech mechanism manually, observing the following instructions when firing first several rounds to warm hydraulic fluid to operating temperature.

- a. Prepare weapon for firing before opening breech; loosen jamnut (1) on cam stop (2).
- b. Manually open breech, load projectile and charge; close breech.

CAUTION

Use Charge 5 or below in cold weather.

- c. Before inserting primer, raise breech operating cam (3) until it clears cam roller (4) by 1/16 inch to 1/8 inch above rollers. Turn cam stop (2) clockwise until clearance of 1/16 inch to 1/8 inch is maintained between breech operating cam (3) and cam roller (4). Tighten jamnut (1).
- d. Insert primer and continue standard firing procedures.



02pc027m

2-25 OPERATION IN EXTREME COLD - CONTINUED

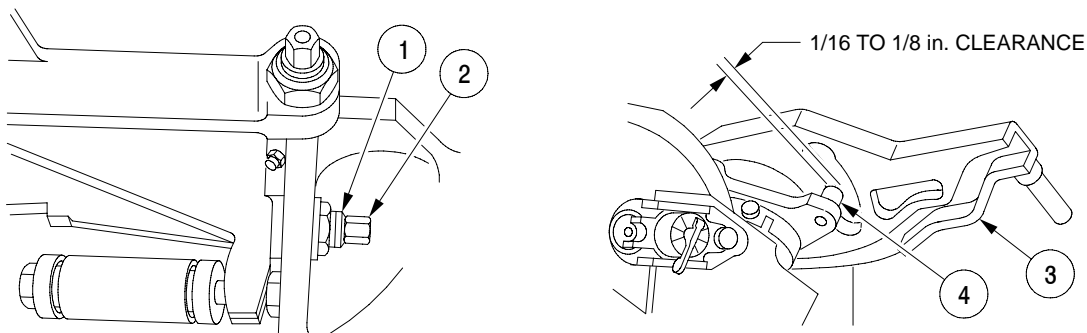
2-25.6 Operating Howitzer Cannon in Extreme Cold Weather - Continued

- e. After weapon returns to battery, lift breech operating cam (3) and loosen jamnut (1). Turn cam stop (2) counterclockwise until cam roller (4) engages in breech operating cam (3) approximately 3/16 inch, to permit breech operating cam (3) and cam roller (4) to hold breech open to reload weapon. Tighten jamnut (1).
- f. Repeat steps b thru e for each round fired, until buffer fluid is warmed to operating temperature.

Buffer fluid can be warmed to operating temperature as follows:

Temperature	No. of Rounds	Total Elapsed Time
-20°F (-29°C)	4	9 minutes
-30°F (-34°C)	5	12 minutes
-40°F (-40°C)	6	15 minutes
-50°F (-45°C)	7	21 minutes
-60°F (-51°C)	8	24 minutes

- g. After final "warmup" round is fired, repeat step e, to ensure proper clearance of at least 3/16 inch but not more than 1/4 inch between top of cam roller (4) and top of breech operating cam (3) is maintained.



02pc027m

2-26 FORDING.

- a. If time permits, add water to hull subfloor and check for leaks in hull plates and drain plugs. If leakage occurs, notify unit maintenance. Drain water.



Ensure hull plates and drain plugs are installed before fording operations. Ensure operation of bilge pump before fording operation.

- b. Perform a lubrication service on components exposed to water following the operation (Appendix I).

2-27 NUCLEAR, BIOLOGICAL, AND CHEMICAL (NBC) DECONTAMINATION INSTRUCTIONS.

2-27.1 General.

WARNING

Do not use decontamination spray on personnel. It could cause personal injury.

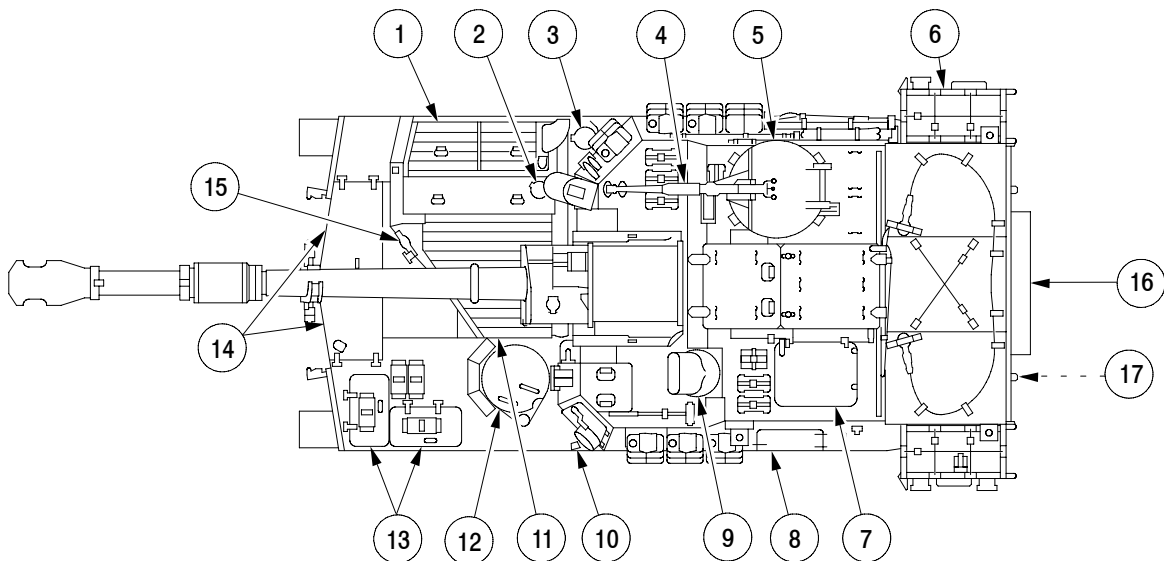
NOTE

One M13 decontamination kit is carried on right outside wall of cab. Refer to TM 3-4230-214-12&P for detailed operation and maintenance of decontaminating apparatus. When time permits, decontaminate complete howitzer per FM 3-5.

2-27.2 External Decontamination.

If outside of vehicle is contaminated during a chemical or biological attack, open and exit howitzer, remove decontamination kit from right outside wall of cab, and spray the following areas:

- | | |
|-------------------------------|--|
| Radiator access grille (1) | Panoramic telescope ballistic cover (9) |
| Radiator cap access cover (2) | Fire extinguisher T-handle cover (10) |
| Fuel filler cover (3) | Engine air intake grille (11) |
| Cal .50 machine gun (4) | Driver's hatch (12) |
| Commander's cupola (5) | Battery access doors (13) |
| Rear stowage baskets (6) | Transmission access doors (14) |
| Gunner's escape hatch (7) | Engine oil level check access cover (15) |
| Left side door (8) | AT4 Box (16) |
| | Back Door (17) |



11pc005m

2-27 NUCLEAR, BIOLOGICAL, AND CHEMICAL (NBC) DECONTAMINATION INSTRUCTIONS - CONTINUED

2-27.3 Internal Decontamination.

WARNING

- NBC contaminated filters must be handled using adequate precautions (FM 3-3) and must be disposed of by trained personnel.
- Do not use M258A1 Decontaminating Kit wipes on eyes, mouth, or open wounds. This may cause personal injury. Flush these areas with water.

CAUTION

Use the decontaminating kits as instructed on the kit or in the technical manual. Use several wipes if necessary. If a chemical agent monitor or other appropriate chemical agent detection device is not available, remain in full MOPP until safe levels are verified.

NOTE

- If monitoring is to be done with the Chemical Agent monitor (CAM), use ONLY decontaminating wipe No. 2 prior to monitoring.
- After decontamination, clean all optical equipment, sights, or periscopes with the appropriate lens cleaning fluid to remove residue from the wipes.
- The M258A1 Decontaminating Kit is to be used on the interior of the vehicle. Refer to TM 3-4230-216-10 for detailed operation and maintenance of this kit.

If inside of howitzer is contaminated during a chemical or biological attack, use the M258A1 Decontaminating Kit wipes on the following areas:

Control handle, levers, and switches used to operate crew stations
Steering and engine operating controls
Fire control instruments and sights

Weapons and weapon sights
Seats and head rests
Inside doors and hatches
Radios

Chemical agent monitoring. Use the Chemical Agent Monitor as directed or refer to TM 3-6665-327-13&P for operating and maintenance instructions.

2-27.4 Complete Howitzer Decontamination.

When time permits, decontaminate complete howitzer (FM 3-5).

CHAPTER 3

MAINTENANCE INSTRUCTIONS

Section I. LUBRICATION INSTRUCTIONS

3-1 SERVICE INTERVALS - NORMAL CONDITIONS.

For application of materials and service intervals, see Appendix I in this manual or appropriate instructions for specific component.

3-2 SERVICE INTERVALS - UNUSUAL CONDITIONS.

Lubricate more often to compensate for abnormal operation and extreme conditions. High or low temperatures, prolonged periods of high rate operation, continued operation in sand, dust, or exposure to moisture may quickly destroy the protective qualities of the lubricant.

Section II. TROUBLESHOOTING PROCEDURES

3-3 SCOPE.

This section contains information on corrective actions used to return the howitzer to normal operation. This section cannot list all malfunctions that may occur, or all tests, inspections and corrective actions. If a malfunction is not listed, or is not corrected by corrective actions, notify unit maintenance.

3-4 GENERAL.

In troubleshooting the M109A6 howitzer, several tools and aids can be used to return the howitzer to a mission-capable status. These aids include the automatic Built-In-Test (BIT) and the AFCS Prognostic Diagnostic Interface Unit (PDIU) or the PDFCS Paladin Digital Computer Unit (PDCU). Crewmembers should report all malfunctions that are seen, felt, or heard to their supervisor (COS) first. This information aids on-board test equipment to accurately predict and determine faults. The BIT automatically tests the Automatic Fire Control System (AFCS) or the Paladin Direct Fire Control System (PDFCS). The PDIU/PDCU is an important aid in the system test chain. It predicts and determines failures of system components. System component failures are displayed by the PDIU on the Display Unit (DU) screen. Troubleshooting the M109A6 howitzer requires the crewmembers to perform unscheduled and scheduled maintenance procedures and to monitor system functions at all times. Troubleshooting is conducted both during operations and during preparation for operations. With all automatic weapons system operations, attention to detail is imperative for personnel safety. All maintenance checks, services, and tests should be performed only when safety is not in jeopardy. Before performing troubleshooting tasks, carefully read the operating instructions and follow all notes, cautions, and warnings.

3-4 GENERAL - CONTINUED

NOTE

- MAINTENANCE MODE can be entered from POWER UP or NORMAL OPERATIONS MODE.
- If you enter MAINTENANCE MODE from POWER UP, there are more PDIU/PDCU System tests available, but the howitzer is removed from the POC Fire Net so no digital Fire Missions will be received. Notify the POC that this vehicle is entering the AFCS/PDFCS MAINTENANCE MODE and will be off the Fire Net.
- If you enter MAINTENANCE MODE from NORMAL OPERATIONS there are fewer PDIU/PDCU System tests available, but the howitzer is still on the POC Fire Net and can receive and process digital fire missions. Use this entry method when you do not plan to stay in MAINTENANCE MODE for very long.

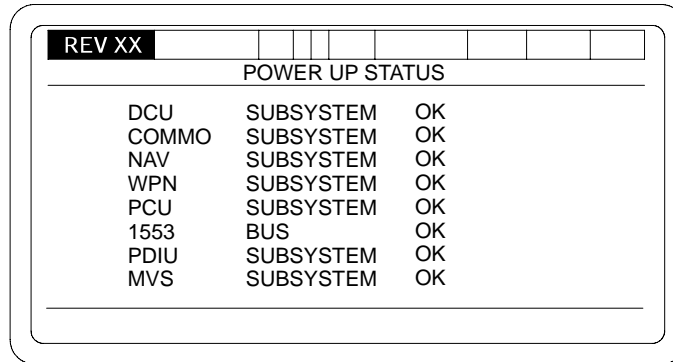
Some faults cannot be determined using the MAINTENANCE MODE or any electrical equipment. Prior to entering MAINTENANCE MODE, use the symptom fault index, para 3-6, for fault identification.

3-5 AFCS AND PDIU FAULT DETECTION.

3-5.1 Power Up Built-In-Test (BIT).

The BIT is a self-test of the AFCS. This test occurs when the vehicle MASTER power is ON and the AFCS POWER switch (located on the DU), is placed to ON. By placing the AFCS POWER switch and PCU circuit breakers to ON, the DU will display the screen shown.

As each of the seven subsystems is tested, the -- will change and provide a subsystem condition. An OK condition (see illustration below), indicates a subsystem is 100% functional.

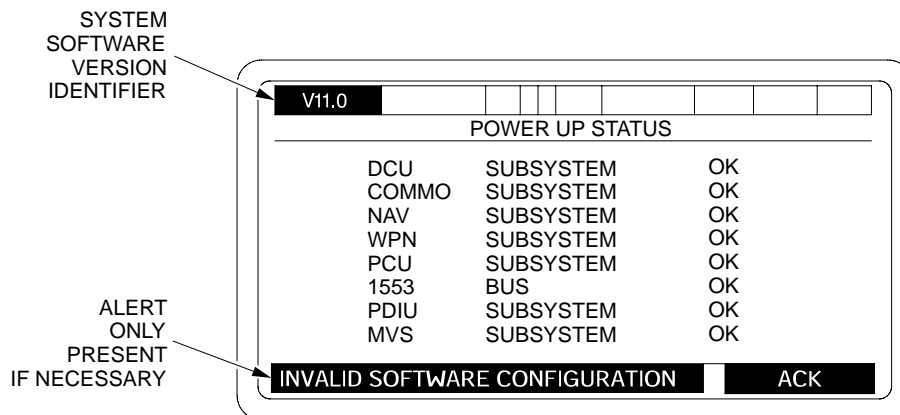


06pc076m

NOTE

If DCU contains an incorrect configuration, the AFCS will not allow the operator to select normal operations until a correct DCU software configuration is downloaded.

When configuration verification checking indicates that the executed software configuration is not the same as the acquired software configuration, a short error message "INVALID SOFTWARE CONFIGURATION", "ACK" will appear on the soft key label line of the DU.



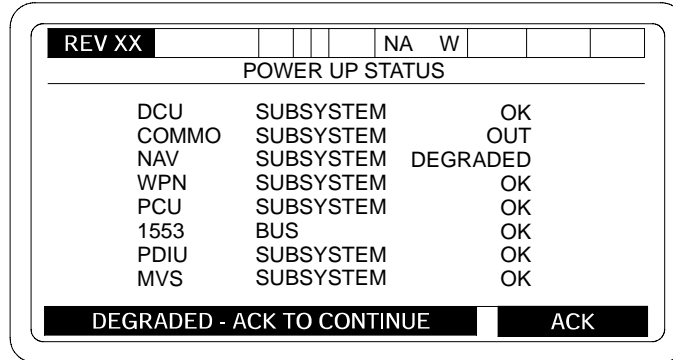
06pc073m

When the message is acknowledged, the AFCS will proceed to the "SELECT OPERATIONAL MODE" menu. To view detailed software configuration information for each LRU, MAINTENANCE should be selected, IAW procedure in para 3-5.2.

3-5 AFCS AND PDIU FAULT DETECTION.

3-5.1 Power Up Built-In-Test (BIT) - Continued

The display shown in the example below illustrates two conditions, DEGRADED and OUT.



06pc077m

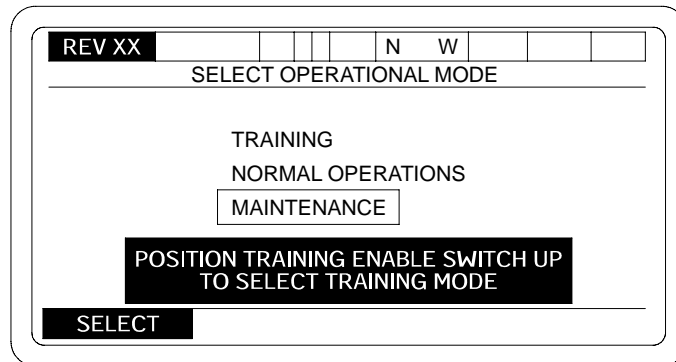
One condition is a DEGRADED condition. The DEGRADED condition indicates a subsystem is not 100% functional. When a degraded condition exists, it will be indicated in field 7 by one or a combination of these letters with the following meaning:

- N - Navigation
- A - GPS Aiding
- C - Communication Processing
- W - Weapon Controller

3-5 AFCS AND PDIU FAULT DETECTION - CONTINUED

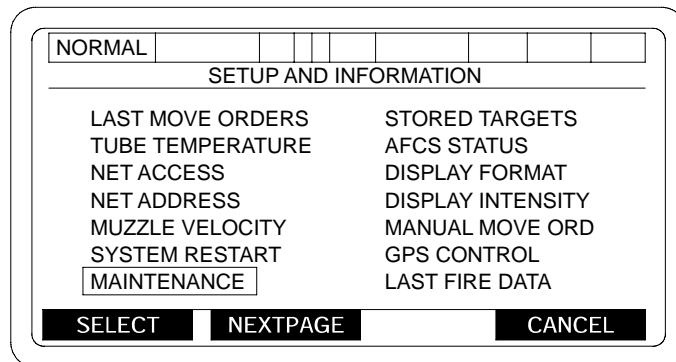
3-5.1 Power Up Built-In-Test (BIT) - Continued

These two conditions, OUT and DGRD, will be tested to determine where the fault exists and the extent of the fault. After a fault has been detected (OUT or DGRD condition during self-test) press the illuminated soft key beneath the word ACK. After pressing the ACK key, the screen shown below will be displayed.



hipc4198

The display above depicts three modes: TRAINING, NORMAL OPERATION and MAINTENANCE. To select MAINTENANCE MODE, box in MAINTENANCE as shown in the illustration above. Press illuminated soft key beneath the word SELECT to enter maintenance mode master menu.



06pc213ma

The AFCS also provides the capability for the AFCS operator to transition from Normal Operational Mode functions to Maintenance Mode functions and back to Normal Operational Mode without having to perform a power down sequence, system restart, or Normal Operational Mode initialization procedures. This capability shall only be available when the AFCS has successfully completed an Normal Operational Mode initialization. Selection of the Maintenance Mode from the AFCS Mode Selection display shall not allow the AFCS operator to transition to Normal Operational Mode without first performing either a power down sequence or a system restart.

When Maintenance Mode functions are selected from the AFCS Operational Mode, the PDIU shall be directed to limit intrusive testing to only those tests which will not impact the ability of the AFCS to quickly respond to fire mission requests. When Maintenance Mode is entered from the AFCS Mode Selection display, the PDIU shall be allowed to perform its full range of intrusive tests.

3-5 AFCS AND PDIU FAULT DETECTION - CONTINUED

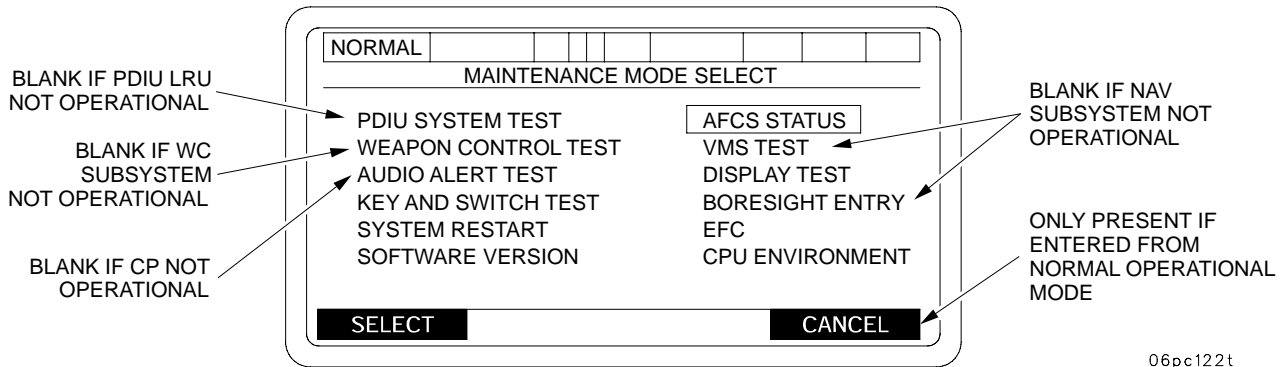
3-5.1 Power up Built-In-Test (BIT) - Continued

If a fire mission is received while the AFCS is in a Maintenance Mode function which was activated from the Operational Mode, the operator shall be prompted to either accept or reject the mission. Operator acceptance of the mission shall automatically terminate all Maintenance Mode function activity and transition to Normal Operational Mode fire mission processing. Operator rejection of the mission shall cause an operator abort of the fire mission and shall cause the AFCS to remain in the currently active Maintenance Mode function.

3-5.2 AFCS Status.

To display the AFCS STATUS menu:

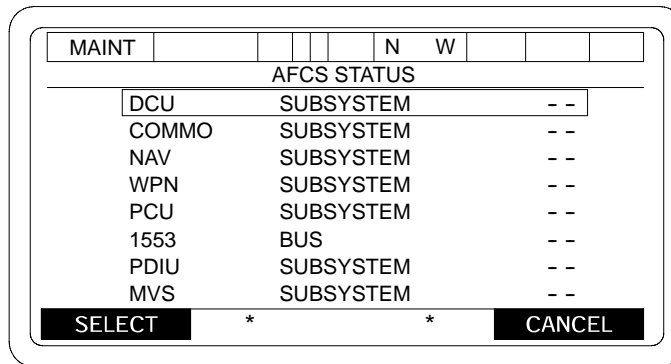
- a. Select MAINTENANCE from the SETUP AND INFORMATION menu. Press SELECT key. This will cause the MAINTENANCE MODE SELECT menu to be displayed.



06pc122t

If MAINTENANCE is selected from NORMAL OPERATIONAL MODE, the MAINTENANCE screen will display "SELECT" and "CANCEL" options above soft keys 1 and 4 in field 16.

- b. Select AFCS STATUS from the MAINTENANCE MODE SELECT menu. Press SELECT key. This will cause the AFCS STATUS menu to be displayed.



06pc120t

The AFCS STATUS menu will display the various subsystem faults. Using this fault list (showing Degraded Mode of each subsystem), you will be able to determine if Degraded Mode is acceptable depending on mission requirements.

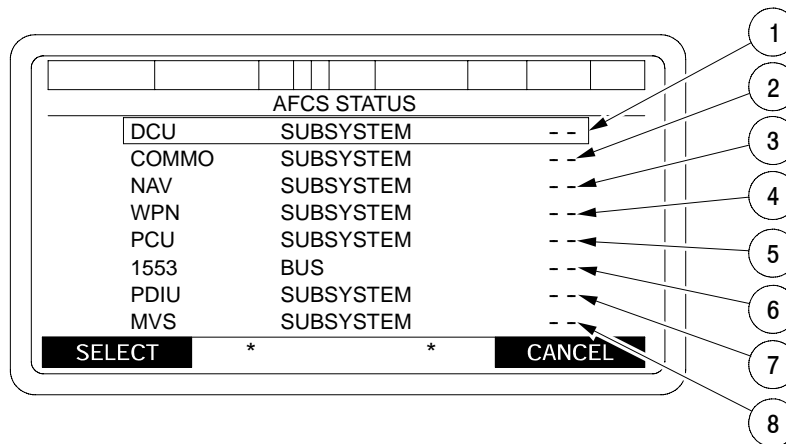
3-5 AFCS AND PDIU FAULT DETECTION - CONTINUED

3-5.2 AFCS Status - Continued

Certain degraded subsystems will not interfere with AFCS operation or mission capability. It is important to know, however, which subsystem is degraded (and which BIT item has failed). Knowing which failure to compensate for/correct will allow you to carry on with your mission. The various LRUs communicate/send messages periodically within AFCS. Whenever an LRU has not sent a message within a certain amount of time, the LRU timer sends an LRU FAILED message. In the event you get an LRU FAILED message, go into MAINTENANCE menu, check AFCS STATUS. If LRU failed, notify unit maintenance.

The AFCS STATUS menu is used by unit maintenance personnel, as well as by the operator. The operator must notify unit maintenance of any subsystem listed with a status of DEGRADED or OUT, then no faults within that subsystem are indicated. Look at each subsystem carefully.

Select the subsystem in question. Further information will be displayed to help determine where the fault lies.



- 1 = (OK, DEGRADED, OUT)
- 2 = (OK, DEGRADED, OUT)
- 3 = (OK, DEGRADED, OUT)
- 4 = (OK, DEGRADED, OUT)
- 5 = (OK, DEGRADED)
- 6 = (OK, DEGRADED, OUT)
- 7 = (OK, OUT)
- 8 = (OK, OUT,--)Where -- indicates that the AFCS could not connect to the MVS

- SELECT** = SELECT A SUBSYSTEM
- CANCEL** = CANCEL and return to SETUP AND INFORMATION menu or INTERNAL MAINTENANCE menu

* = No test appears for these softkeys. Pressing FUNCTION KEY 2 or 3 will clear ET SIMULATED FAILURES

06pc118t

3-5 AFCS AND PDIU FAULT DETECTION - CONTINUED

3-5.2 AFCS Status - Continued

3-5.2.1 DCU SUBSYSTEM STATUS DISPLAY.

MAINT					N	W		
DCU SUBSYSTEM STATUS								
CPU BRD BIT	--	I/O BRD DU SERIAL	--					
BIT HARDWARE	--	I/O BRD SERIAL	--					
INVALID HDWR	--	I/O BRD DISCRETE	--					
1553B BRD BIT	--	UNDET 1553B CONF	--					
NVM R/W	--	TR SW STATUS REC	--					
DU BIT	--	GUN SW STATUS REC	--					
								CANCEL

-- = (OK, FAIL)

CANCEL = Return to the AFCS STATUS display

06pc119t

3-5.2.2.2 COMMO SUBSYSTEM STATUS DISPLAY.

MAINT					N	W		
COMMO SUBSYSTEM STATUS								
BIT RECEIVED	--							
I/O BRD SERIAL	--							
TCIM COMMO	--							
TCIM BRD BIT	--							
TCIM LOAD	--							
NVM R/W	--							
								CANCEL

-- = (OK, FAIL)

CANCEL = Return to the AFCS STATUS display

06pc121t

3-5 AFCS AND PDIU FAULT DETECTION - CONTINUED

3-5.2 AFCS Status - Continued

3-5.2.3 NAV SUBSYSTEM STATUS DISPLAY

MAINT					N	W			
NAV SUBSYSTEM STATUS									
BIT RECEIVED	--				NAV IF BIT	--			
DRU CONNECT	--				GPS COMMO	--			
DRU INERTIAL	--				GPS BIT	--			
DRU BIT	--				GPS ANTENNA	--			
I/O BRD SDLC BIT	--				VMS BIT	--			
									CANCEL

-- = (OK, FAIL)

CANCEL = Return to the AFCS STATUS display

06pc124t

3-5.2.4 WPN SUBSYSTEM STATUS DISPLAY.

MAINT					N	W			
WPN SUBSYSTEM STATUS									
BIT RECEIVED	--				AZ VOLT	--			
NVM R/W	--				AZ CURRENT	--			
SERVO BRD BIT	--				EL VOLT	--			
WPN BIT	--				EL CURRENT	--			
TUBE TEMP BIT	--				AZ TACH	--			
ADC BIT	--				EL TACH	--			
BCS	--								
									CANCEL

-- = (OK, FAIL)

CANCEL = Return to the AFCS STATUS display

06pc125t

3-5 AFCS AND PDIU FAULT DETECTION - CONTINUED

3-5.2 AFCS Status - Continued

3-5.2.5 PCU SUBSYSTEM STATUS DISPLAY.

MAINT					N	W			
PCU SUBSYSTEM STATUS									
BIT RECEIVED --									
PCU BIT --									
									CANCEL

-- = (OK, FAIL)

CANCEL = Return to the AFCS STATUS display

06pc126t

3-5.2.6 1553 BUS STATUS DISPLAY.

MAINT					N	W			
1553B BUS STATUS									
BIT HARDWARE --									
1553 BOARD BIT --									
DCU TO PDIU CONNECT --									
DCU TO PDIU BUS --									
DCU TO MVS CONNECT --									
DCU TO MVS BUS --									
									CANCEL

-- = (OK, FAIL)

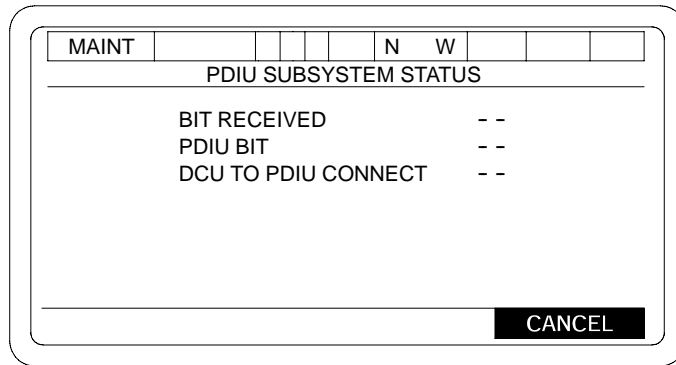
CANCEL = Return to the AFCS STATUS display

06pc127t

3-5 AFCS AND PDIU FAULT DETECTION - CONTINUED

3-5.2 AFCS Status - Continued

3-5.2.7 PDIU SUBSYSTEM STATUS DISPLAY.

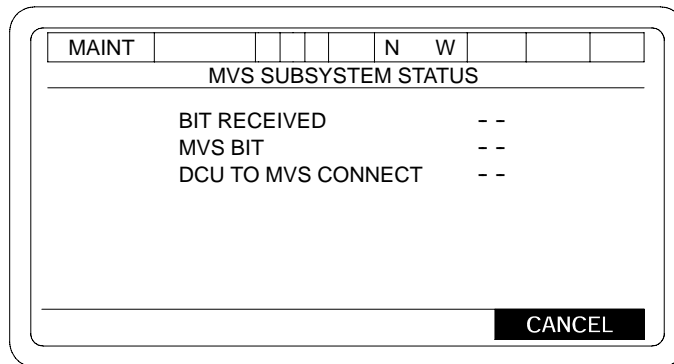


-- = (OK, FAIL)

CANCEL = Return to the AFCS STATUS display

06pc128t

3-5.2.8 MVS SUBSYSTEM STATUS DISPLAY.



-- = (OK, FAIL)

CANCEL = Return to the AFCS STATUS display

06pc129t

3-5 AFCS AND PDIU FAULT DETECTION - CONTINUED

3-5.3 PDIU System Test - Continued

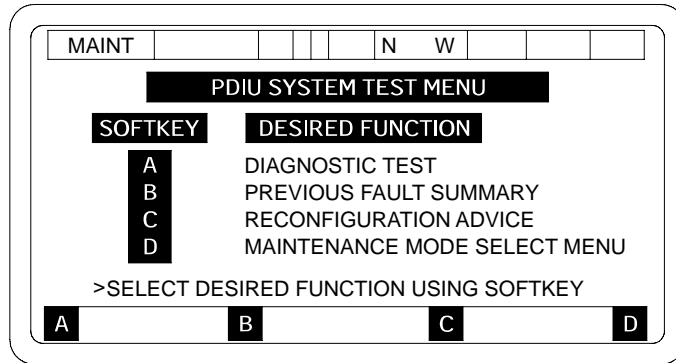
NOTE

The previous Fault Summary and Reconfiguration Advice functions are not always available. These options will not be displayed if their functions cannot be performed. (The different menu screens that can be seen because of this are shown at the end of the description.)

Each of the four functions will now be described separately.

DIAGNOSTIC TEST

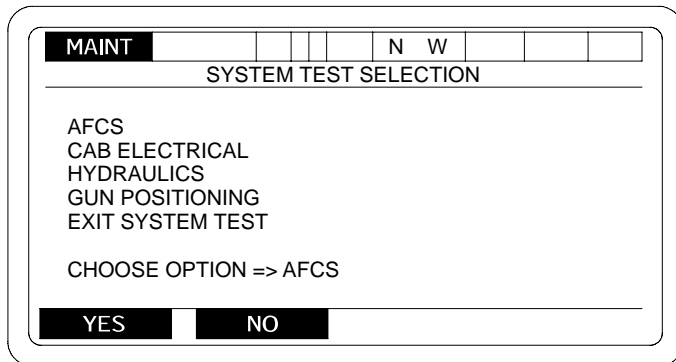
To perform DIAGNOSTIC TEST, press the "A" softkey.



hipc4140

The next screen allows you to select which part of the system you would like to test based upon the problem you are troubleshooting. The Gun Positioning System will not be available until the hydraulics segment has been successfully tested (the PDIU should not be reset). To test the entire system, all four segments should be tested in the order they appear on the screen. As each segment passes its test, the next segment should be selected from this screen without resetting the system. If any of the segmented tests fail, the fault should be corrected, the AFCS should be reset and the testing should begin again with the first test. Continuing testing without resetting the system can result in false failures.

To perform any of the segment tests select "YES" when that segment appears behind "CHOOSE OPTION".

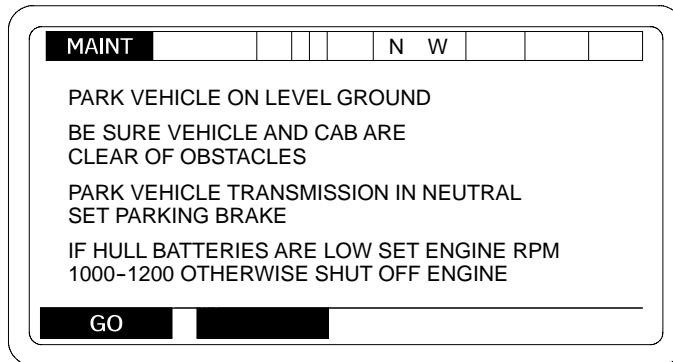


06pc377m

3-5 AFCS AND PDIU FAULT DETECTION - CONTINUED

3-5.3 PDIU System Test - Continued

The following screen will be displayed.

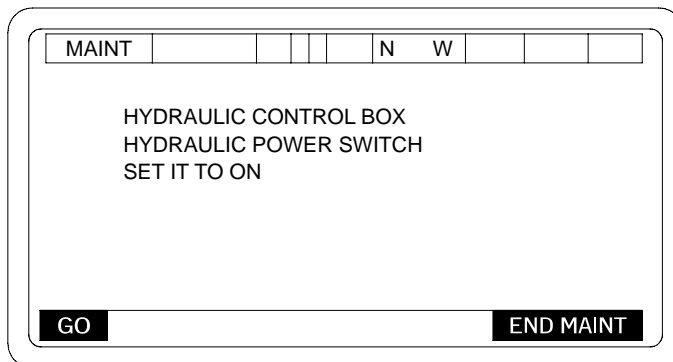


06pc378m

When you have completed the required actions, press GO softkey and testing will continue.

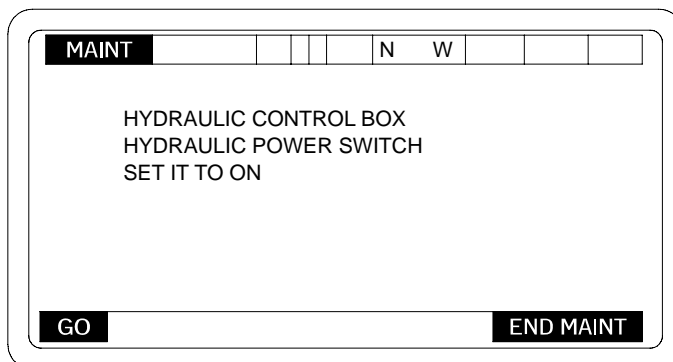
During the next few screens, you will be given the CANCEL softkey option. CANCEL is there in case you selected the DIAGNOSTIC TEST function (from the menu) by mistake or in case you changed your mind. When you press CANCEL, the system will display the PDIU SYSTEM TEST MENU again.

Throughout diagnostic testing, you will be given instructions. When you press GO, you are telling the system that you have done the task it asked for. It is important that you complete the task before pressing GO because many of the decisions that the system makes are based on the actions that you made. A typical instruction is shown below:



06pc411m

When you are instructed to perform an action such as the screen below, the PDIU measures the voltage of the switch.

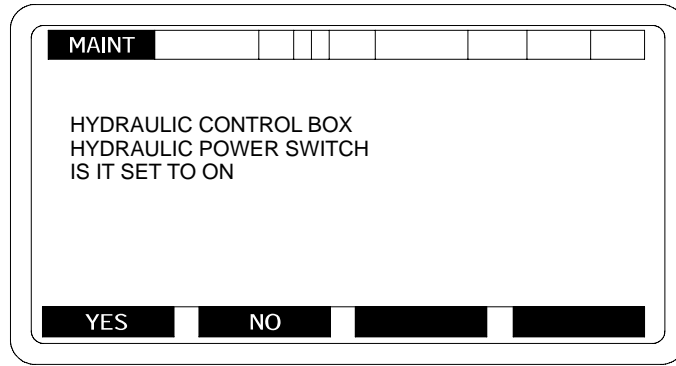


06pc408m

3-5 AFCS AND PDIU FAULT DETECTION - CONTINUED

3-5.3 PDIU System Test - Continued

If the result is not correct, then you are asked if you performed the action correctly, as shown in the screen below.

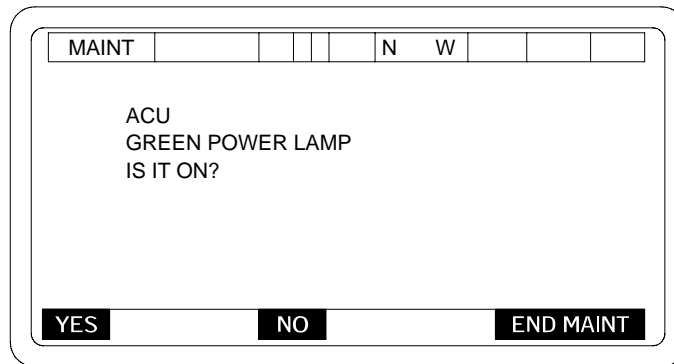


06pc409m

If you answer "YES", a fault will be detected by the PDIU. If you answer "NO", you will be given another chance to perform the action correctly. Then, if the action is not performed correctly, a fault will be detected by the PDIU.

Most of the displays in the main section of the DIAGNOSTIC TEST will include an END MAINT softkey at the bottom of the display. When this is present, you have the option of stopping the test at that point. If you press END MAINT, testing will immediately stop and you will see the Fault Summary display with all of the test results up to where you stopped. This feature is provided to allow you to return to normal operations with a minimum of delay if necessary. REMEMBER - When you press END MAINT, the system can only report the results of the test up to where you stopped. There may be further faults not detected.

During diagnostic testing, you will also be asked to answer questions. A typical question is shown below:



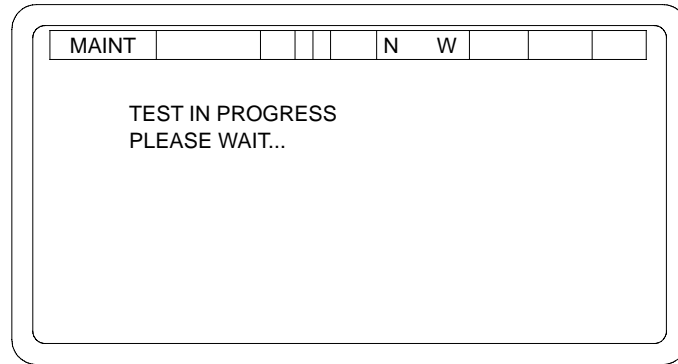
06pc407m

Questions will always be asked so that a YES or NO answer is possible by pressing the YES or NO softkeys. The system is using your ability to see, feel and hear to get the information it needs. It uses your answers to make decisions about functions that cannot be measured directly by the PDIU.

3-5 AFCS AND PDIU FAULT DETECTION - CONTINUED

3-5.3 PDIU System Test - Continued

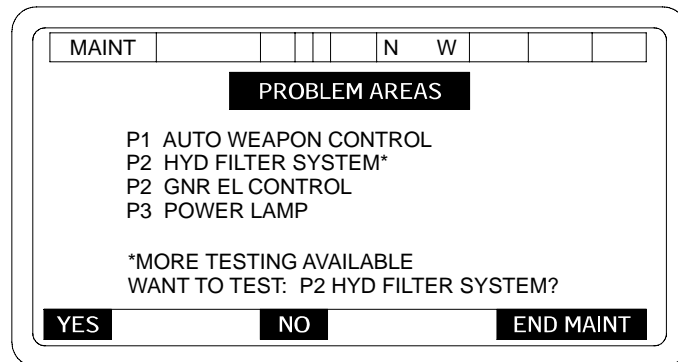
Several times during diagnostic testing, you will see messages that start with the words "TEST IN PROGRESS" like the following screen:



hipc4144

These screens have no labels for the softkeys at the bottom of the screen and require no response. They are intended to let you know that the system has recognized your last response and is busy with a long test operation. When it is ready to continue, the display will automatically change to a question or instruction message.

Most faults will be isolated as far as possible by the PDIU during the normal sequence of DIAGNOSTIC TEST. Usually, the test sequence will run to completion and display the Fault Summary screen. However, some faults can be isolated further. This requires extra testing which can involve disconnecting cables and opening the hydraulic compartment. When one of these faults is detected, the system will remember it until it has finished all of the fault detection tests. It will then display a special menu screen like the following:



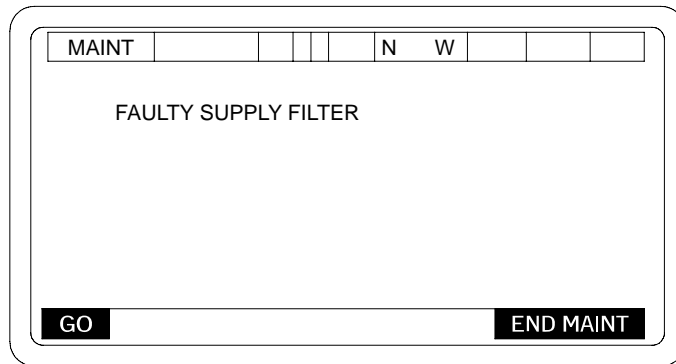
hipc4146

Each of the problem areas that requires extra testing will be displayed with an asterisk (*). The question line at the bottom will have the same name of the first extra test problem area. You can choose to continue testing this problem area by pressing YES. If you press NO, the name of the next extra test problem area will appear. As long as you continue to press NO, the names of the * problem areas will appear in the question, one at a time. If you decide not to do any of the extra testing, press END MAINT and the system will immediately display the Fault Summary.

3-5 AFCS AND PDIU FAULT DETECTION - CONTINUED

3-5.3 PDIU System Test - Continued

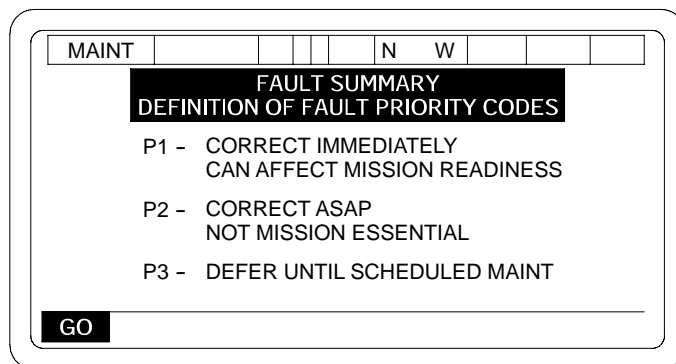
If you press the YES softkey for one of the problem areas, testing will continue with instructions and questions until the fault has been isolated as far as possible by the PDIU. When the extra testing is complete, you will see a screen like the following:



hipc4147

This screen may show one faulty LRU or a short list of possible faulty LRUs that must be isolated further by manual troubleshooting procedures. It tells you that the PDIU has done all of the testing it can. When you press GO, the Fault Summary screens will begin.

The first screen of the Fault Summary sequence will be definition of the Fault Priority Codes assigned to each fault message.



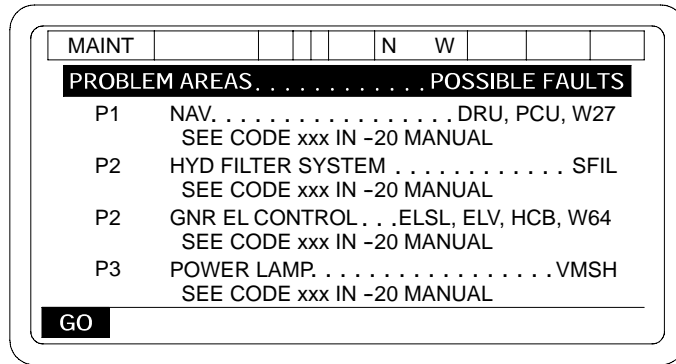
hipc4148

- P1 - These faults require immediate attention. You have lost or may soon lose a major system function that may affect your mission capabilities.
- P2 - These faults do not immediately affect your mission readiness but should be corrected as soon as possible.
- P3 - These faults can be deferred until a scheduled maintenance period.

3-5 AFCS AND PDIU FAULT DETECTION - CONTINUED

3-5.3 PDIU System Test - Continued

The fault definition screen is followed by a Fault Summary list like the one shown on the next screen. Press the GO softkey to continue.



hipc4149

The Fault Summary screens are a list of all of the problems found during screen DIAGNOSTIC TEST. When no problems have been detected, this will simply say “NO FAULTS FOUND” and the Definition of Fault Priority Codes screen will not be shown. However, when problems have been detected, a list like the one above will appear.

When the Fault Summary displays problem areas, it also displays a list of possible faulty LRUs for each problem area and a -20 manual code number. When only one LRU is listed for a problem area, DIAGNOSTIC TEST has determined that the LRU is definitely faulty and must be replaced. When more than one LRU (separated by commas) is listed as a possible fault for a problem area, further isolation by Unit Maintenance is required to determine which one of the LRUs listed is faulty.

The code number (xxx) listed in the “SEE CODE XXX IN -20 MANUAL” message is a reference to an index in the -20 manual which lists the page where the correct manual troubleshooting procedure can be found.

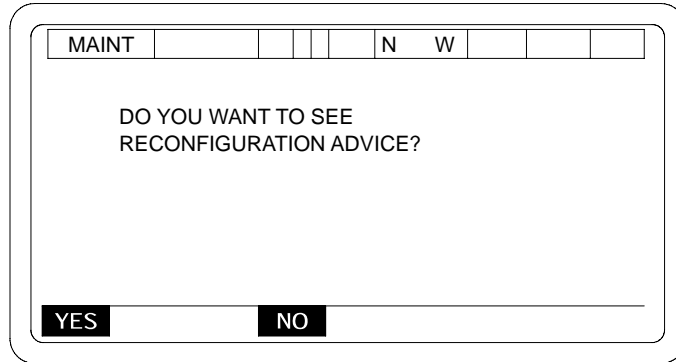
NOTE

All of the information in the Fault Summary screens should be reported to Unit Maintenance. It is a good idea to copy the list of problems and possible faults before pressing GO. If you forget or don't have time to copy all the information now, it can be redisplayed by selecting the Previous Fault Summary option in the PDIU SYSTEM TEST MENU screen the next time it is displayed, even if power has been removed.

3-5 AFCS AND PDIU FAULT DETECTION - CONTINUED

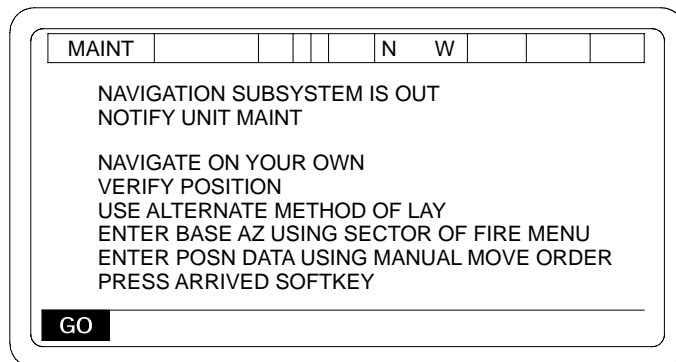
3-5.3 PDIU System Test - Continued

The Fault Summary list can take up to 3 screens. When you have finished viewing or copying the information on each Fault Summary screen, press GO to continue. If more faults were detected, the next Fault Summary screen will be displayed. Some faults may not appear due to limited space on the screens. After corrective actions have been accomplished, the test should be re-run to ensure no additional faults are detected. If Reconfiguration Advice is available for the detected faults, you will be asked the following question:



hpc4150

This screen offers you the chance to get further information on what backup modes of operation are available for subsystems that are not operational. If you press YES, a screen like the following will appear:



hpc4151

3-5 AFCS AND PDIU FAULT DETECTION - CONTINUED

3-5.3 PDIU System Test - Continued

Reconfiguration Advice may take more than one screen depending on which (and how many) subsystems are not operational. After you have read each screen, press the GO softkey to continue.

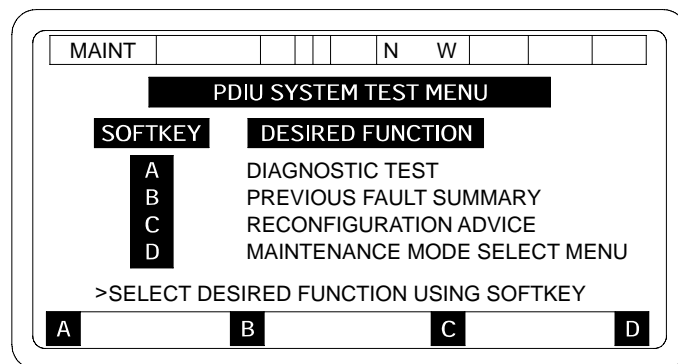
After all Reconfiguration Advice messages have been read, you will be given two screens of instructions that will return the vehicle to a given state. At this point, testing is complete. When you press the final GO, the screen will display the PDIU SYSTEM TEST MENU again.

General Notes About DIAGNOSTIC TEST

The sequence of messages and displays that you see during DIAGNOSTIC TEST will vary depending on the number of faults present in the vehicle. The system will choose its own path through the tests and guide you with instructions. Don't be concerned if you see messages and questions you haven't seen before. The system is simply troubleshooting a fault you haven't had before.

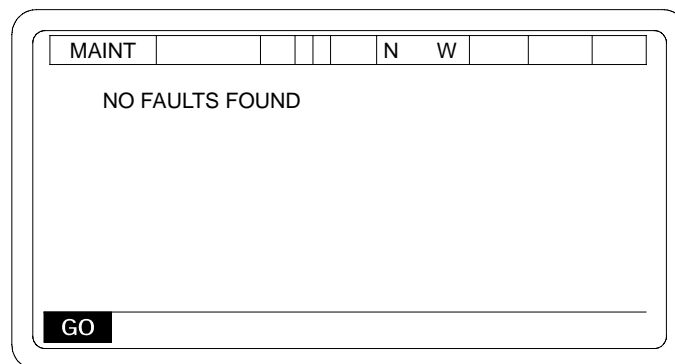
PREVIOUS FAULT SUMMARY

To view the PREVIOUS FAULT SUMMARY, press the B softkey.



hipc4140

The PREVIOUS FAULT SUMMARY is a list of all the problems found during the last DIAGNOSTIC TEST performed. If no problems were detected, the following message will be displayed:



hipc4152

3-5 AFCS AND PDIU FAULT DETECTION - CONTINUED

3-5.3 PDIU System Test - Continued

DELETED

3-5 AFCS AND PDIU FAULT DETECTION - CONTINUED

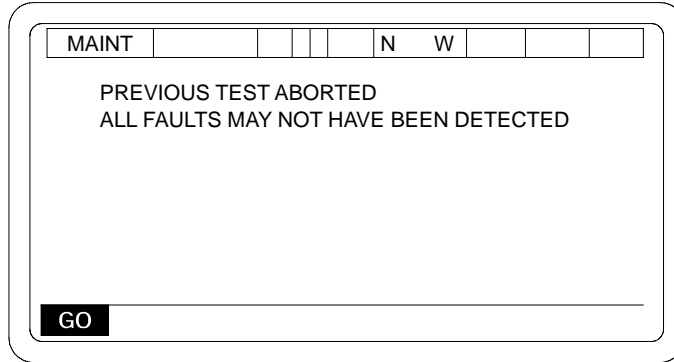
3-5.3 PDIU System Test - Continued

DELETED

3-5 AFCS AND PDIU FAULT DETECTION - CONTINUED

3-5.3 PDIU System Test - Continued

If the last DIAGNOSTIC TEST was aborted before completion, you will also see the following message:

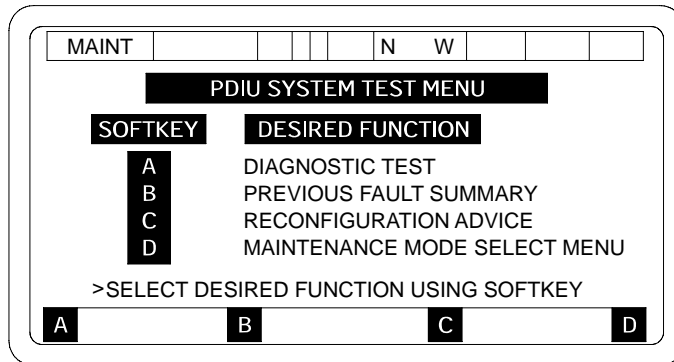


hipc4153

When all screens in the Previous Fault Summary display sequence have been viewed, the PDIU SYSTEM TEST MENU will automatically be displayed again.

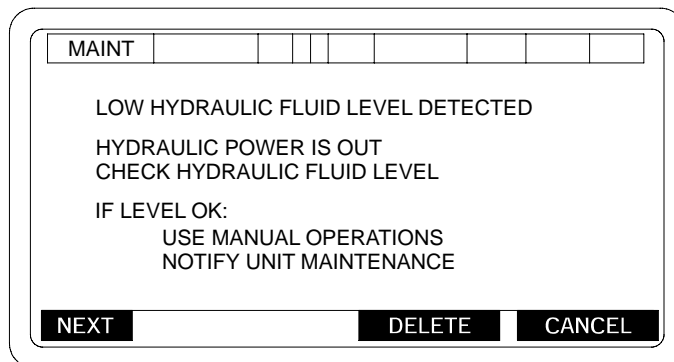
RECONFIGURATION ADVICE

To view Background Monitoring Mode RECONFIGURATION ADVICE, press the C softkey.



hipc4140

A screen like the following will be displayed:



hipc4154

3-5 AFCS AND PDIU FAULT DETECTION - CONTINUED

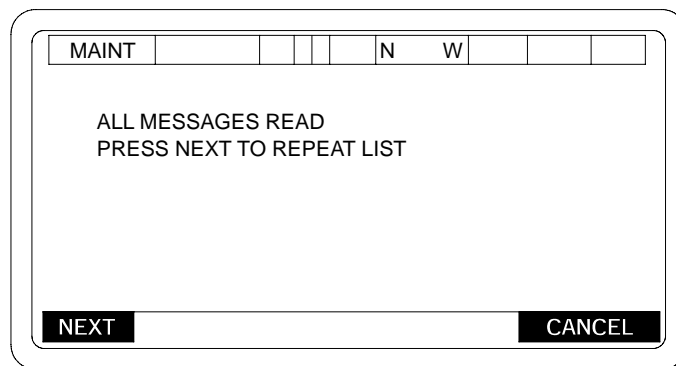
3-5.3 PDIU System Test - Continued

RECONFIGURATION ADVICE offers you the opportunity to get more information on what Backup Modes of Operation are available for subsystems that are not operational. This information is displayed for each warning message sent to the DCU during Normal Operations. RECONFIGURATION ADVICE can take several screens to display as each warning message/advisory information is displayed on a separate screen. You can cycle through and delete the messages as desired.

If you press NEXT, the next warning message and its advisory information will be displayed. If you press DELETE, the warning message and its advisory information displayed will be deleted and the next warning message will appear.

Throughout RECONFIGURATION ADVICE, the CANCEL softkey is available to you. If you press CANCEL, you will exit from RECONFIGURATION ADVICE and the PDIU SYSTEM TEST MENU will be displayed again.

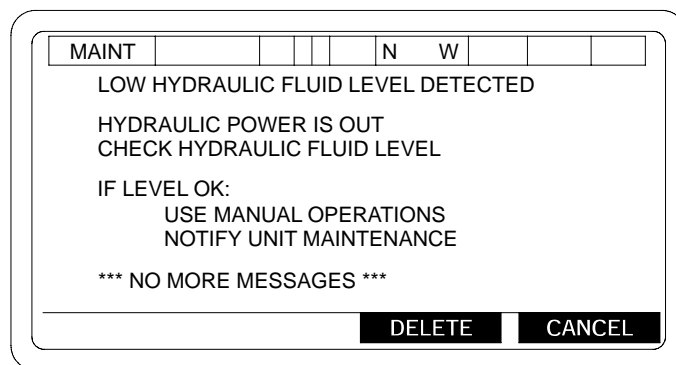
After all messages have been viewed, the following display will appear:



hipc4155

You can press NEXT to cycle through all the messages which were not deleted. Or press CANCEL to exit.

When the last message is displayed and there are no more messages to view, a display like the following will appear:



hipc4156

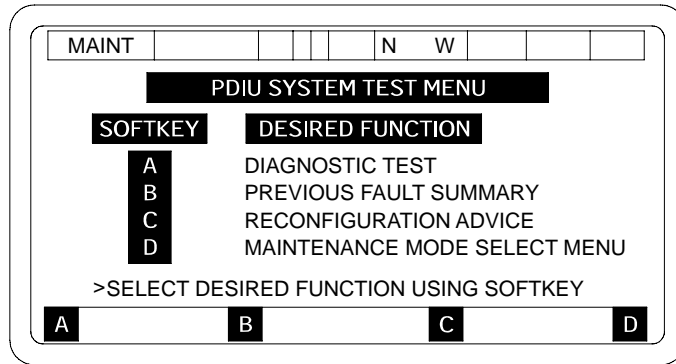
If you press DELETE, the warning message and its advisory information will be deleted and the PDIU SYSTEM TEST MENU will be displayed again.

3-5 AFCS AND PDIU FAULT DETECTION - CONTINUED

3-5.3 PDIU System Test - Continued

MAINTENANCE MODE SELECT MENU

To exit from PDIU SYSTEM TEST, press the D softkey.



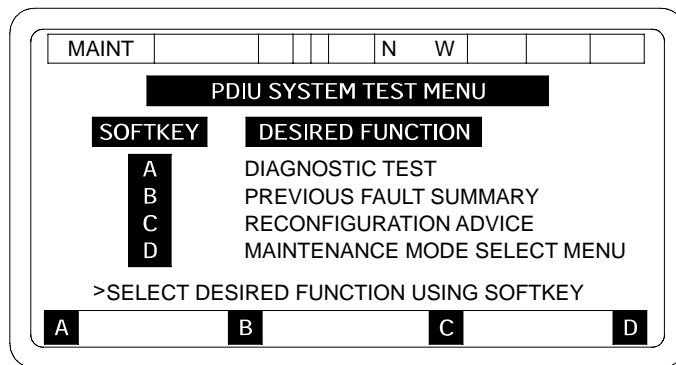
hipc4140

Pressing D will terminate PDIU SYSTEM TEST and the MAINTENANCE MODE SELECT menu screen will appear. The PDIU will automatically enter into its Background Monitoring Mode.

PDIU SYSTEM TEST MENU VARIATIONS

The following screens show all of the different menus that can be displayed when entering the PDIU SYSTEM TEST. As mentioned above, all options are not always available. An option will not be displayed if its function cannot be performed.

In the following screen, all options are available to the user.

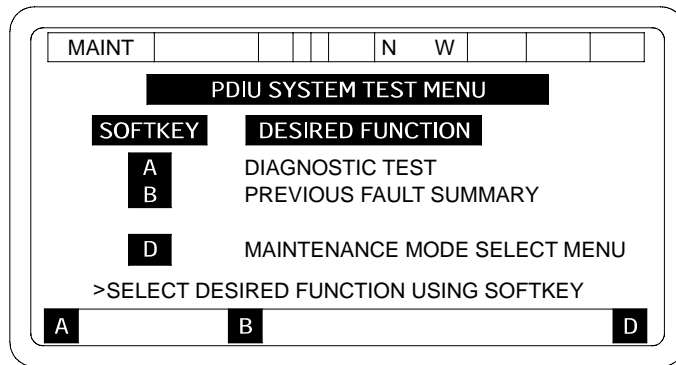


hipc4140

3-5 AFCS AND PDIU FAULT DETECTION - CONTINUED

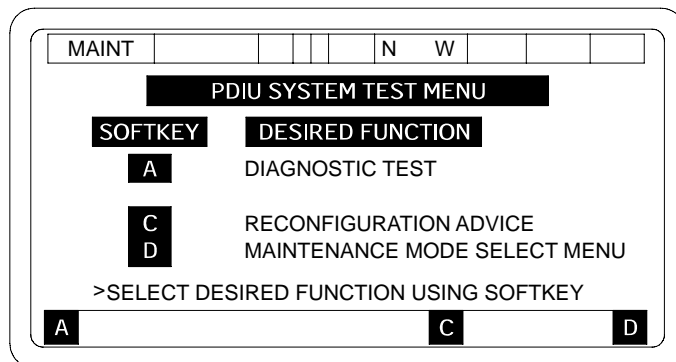
3-5.3 PDIU System Test - Continued

The RECONFIGURATION ADVICE option is missing from the following menu screen. RECONFIGURATION ADVICE will only be available for warning messages sent to the DCU during Normal Operations and for certain faults detected by the AFCS.



hpc4157

The PREVIOUS FAULT SUMMARY option is missing from the following menu screen. A PREVIOUS FAULT SUMMARY will only be available if the last DIAGNOSTIC TEST performed was aborted while in progress and faults had been detected or if the last DIAGNOSTIC TEST was completed.

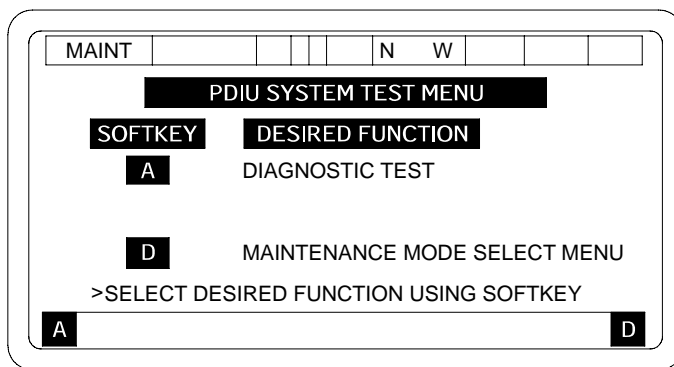


hpc4158

3-5 AFCS AND PDIU FAULT DETECTION - CONTINUED

3-5.3 PDIU System Test - Continued

Both the PREVIOUS FAULT SUMMARY and RECONFIGURATION ADVICE options are missing from the following menu screen. Neither of these options can be performed. DIAGNOSTIC TEST and MAINTENANCE MODE SELECT MENU options will always be available.



hipc4161

DIAGNOSTIC TEST is the way you perform all diagnostic testing.

MAINTENANCE MODE SELECT MENU is the way you end PDIU system testing and return to AFCS operations.

3-5 AFCS AND PDIU FAULT DETECTION - CONTINUED

3-5.4 Weapon Control Test.

This test checks the elevation and azimuth tachometers which control the speed of the gun tube and cab movement during automatic positioning; LOAD, LAY and STOW.

This test SHOULD NOT be performed in accordance with the standard vehicle setup condition. Vehicle setup conditions for THIS test are:

- a. Park vehicle with transmission in neutral, engine running.
- b. Set parking brakes.
- c. Remove gun tube from travel lock and place travel lock in lower/unlock position.
- d. Unlock cab traverse lock.
- e. Set DCU POWER switch to ON.
- f. Place hydraulic control box POWER switch to ON.
- g. Set GUN SERVO switch to ON.

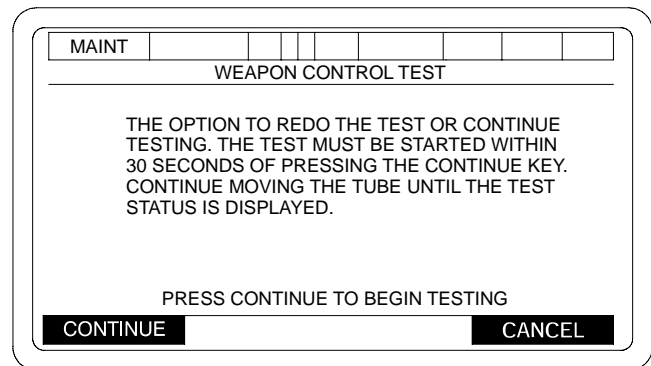
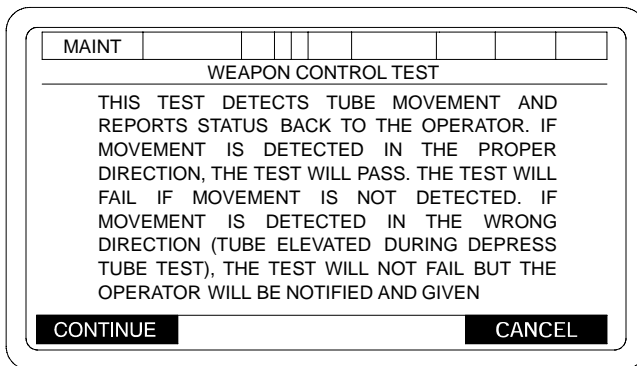
This test will be used when directed by troubleshooting procedures, or when the tachometers appear to malfunction.

If test results indicate tachometer malfunctions, notify unit maintenance personnel for corrective actions.

Elevating gun tube will cause numbers to appear/change (as CHIEF OF SECTION control handles are elevated) in EL TACH box. If numbers do not change/move, your TACH is not working.

Select WEAPON CONTROL TEST from MAINTENANCE MODE SELECT menu.

The first menu to be displayed will be the WEAPON CONTROL INSTRUCTIONS menu and may contain two pages of instructions. The second display will be the WEAPON CONTROL TEST BEGIN menu followed by several WEAPON CONTROL TEST menus.

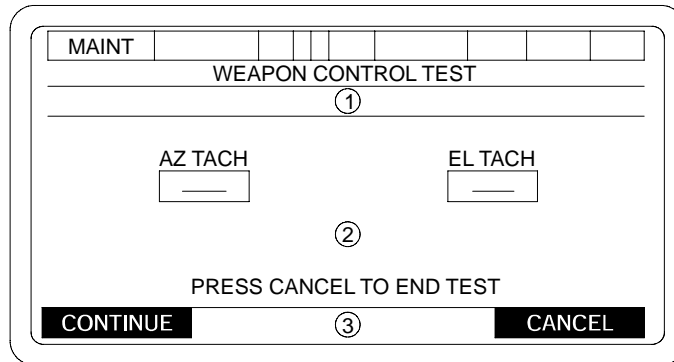


06pc131t

3-5 AFCS AND PDIU FAULT DETECTION - CONTINUED

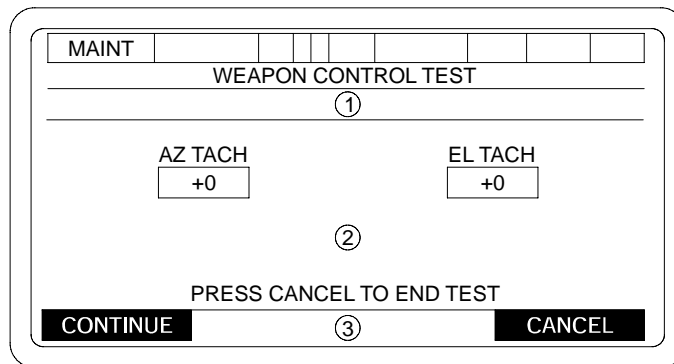
3-5.4 Weapon Control Test - Continued

Depressing gun tube will cause numbers to appear/change (as CHIEF OF SECTION control handles are depressed) in EL TACH box. If numbers do not change/move, your TACH is not working.



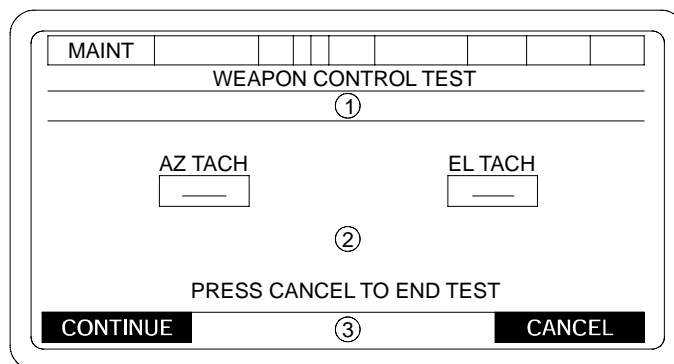
06pc547m

Traversing gun tube to right will cause numbers to appear/change (as CHIEF OF SECTION control handles are rotated to right) in AZ TACH box. If numbers do not change/move, your TACH is not working.



06pc420m

Traversing gun tube to left will cause numbers to appear/change (as CHIEF OF SECTION control handles are rotated to left) in AZ TACH box. If numbers do not change/move, your TACH is not working.



06pc547m

3-5 AFCS AND PDIU FAULT DETECTION - CONTINUED

3-5.4 Weapon Control Test - Continued

The following table describes the messages to be displayed in Fields 1 and 2 during the Weapon Control Test.

Table 3-1 WEAPON CONTROL TEST MESSAGES

TEST PHASE	1	2	3
1	"ELEVATE TUBE TEST"	"ERROR IN TUBE MOVEMENT SELECT CONTINUE, REDO, OR CANCEL"	"REDO"
1	"ELEVATE TUBE TEST"	"TEST FAILED - PRESS REDO TO RE-RUN OR CONTINUE FOR NEXT TEST PHASE"	"REDO"
1	"ELEVATE TUBE TEST"	"TEST PASSED PRESS CONTINUE FOR NEXT TEST PHASE"	BLANK
2	"DEPRESS TUBE TEST"	"ERROR IN TUBE MOVEMENT SELECT CONTINUE, REDO, OR CANCEL"	"REDO"
2	"DEPRESS TUBE TEST"	"TEST FAILED - PRESS REDO TO RE-RUN OR CONTINUE FOR NEXT TEST PHASE"	"REDO"
2	"DEPRESS TUBE TEST"	"TEST FAILED - PRESS REDO TO RE-RUN OR CONTINUE FOR NEXT TEST PHASE"	BLANK
3	"TRAVERSE TUBE LEFT TEST"	"TEST PASSED PRESS CONTINUE FOR NET TEST PHASE"	"REDO"
3	"TRAVERSE TUBE LEFT TEST"	"ERROR IN TUBE MOVEMENT SELECT CONTINUE, REDO, OR CANCEL"	"REDO"
3	"TRAVERSE TUBE LEFT TEST"	"TEST FAILED - PRESS REDO TO RE-RUN OR CONTINUE FOR NEXT TEST PHASE"	BLANK
4	"TRAVERSE TUBE RIGHT TEST"	"ERROR IN TUBE MOVEMENT SELECT CONTINUE, REDO, OR CANCEL"	"REDO"
4	"TRAVERSE TUBE RIGHT TEST"	"TEST FAILED - PRESS REDO TO RE-RUN OR CONTINUE TO REPEAT TEST"	"REDO"
4	"TRAVERSE TUBE RIGHT TEST"	"TEST PASSED PRESS CONTINUE TO REPEAT TEST"	BLANK
1, 2, 3, or 4		"TUBE MOVEMENT DETECTED WAS IN ERROR"	"SELECT PASS, FAIL, OR REDO"

3-5 AFCS AND PDIU FAULT DETECTION - CONTINUED

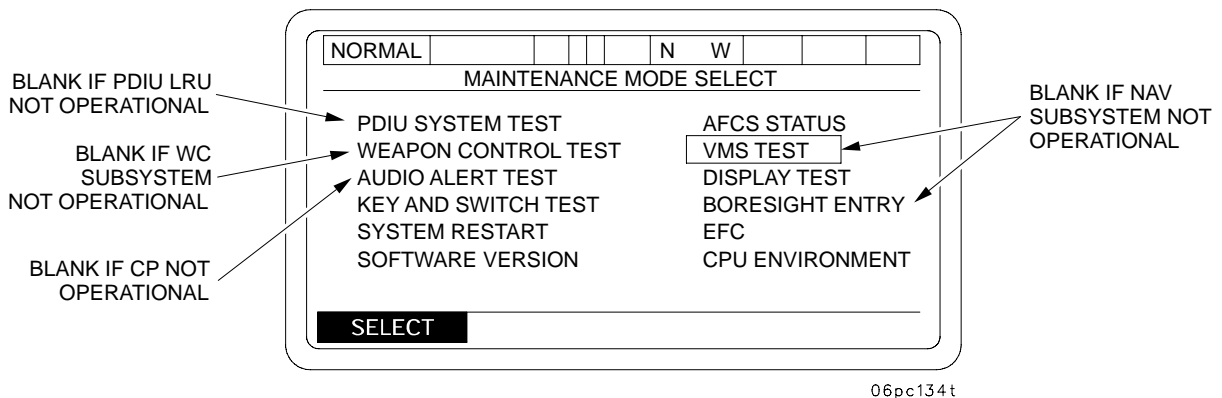
3-5.5 Vehicle Motion Sensor Test.

This test is designed to check Vehicle Positioning System. The VMS provides signals to the AFCS that aid in the location and positioning of vehicle (coordinates).

This test SHOULD be performed under standard vehicle setup conditions (para 3-5.3). This test is used whenever directed by troubleshooting procedures, or when NAV DEGRADED is displayed on the DU and you get ZUPT requests after about 4 minutes of travel.

If test results indicate that VMS is not properly functioning, notify unit maintenance personnel for corrective action.

- a. Select VMS TEST from MAINTENANCE MODE SELECT menu.

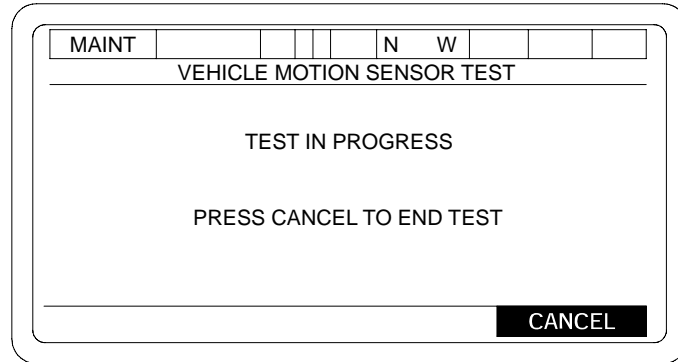


3-5 AFCS AND PDIU FAULT DETECTION - CONTINUED

3-5.5 Vehicle Motion Sensor Test - Continued

This test is run automatically.

- b. Depressing soft key under CANCEL will end test and take you back to MAINTENANCE MODE SELECT menu.

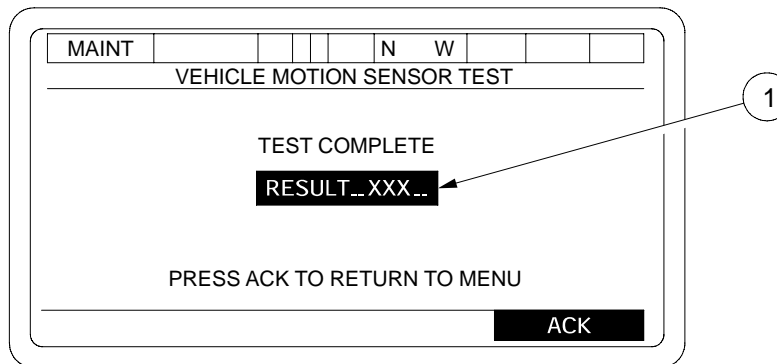


hipc4167

If test results indicate a fault, determine if this degraded mode is acceptable. If not, notify unit maintenance.

Test results can show any of the following:

- RESULT -- VMS GOOD
- RESULT -- VMS BAD
- RESULT -- CAB SIDE VMS MODEM BAD
- RESULT -- CHASSIS SIDE VMS MODEM BAD



hipc4168

- 1 VMS GOOD
- OR
- CHASSIS SIDE VMS MODEM BAD
- OR
- CAB SIDE VMS MODEM BAD
- OR
- VMS BAD

- c. When test is ended, depress soft key under ACK. This will take you back to MAINTENANCE MODE SELECT menu.

3-5 AFCS AND PDIU FAULT DETECTION - CONTINUED

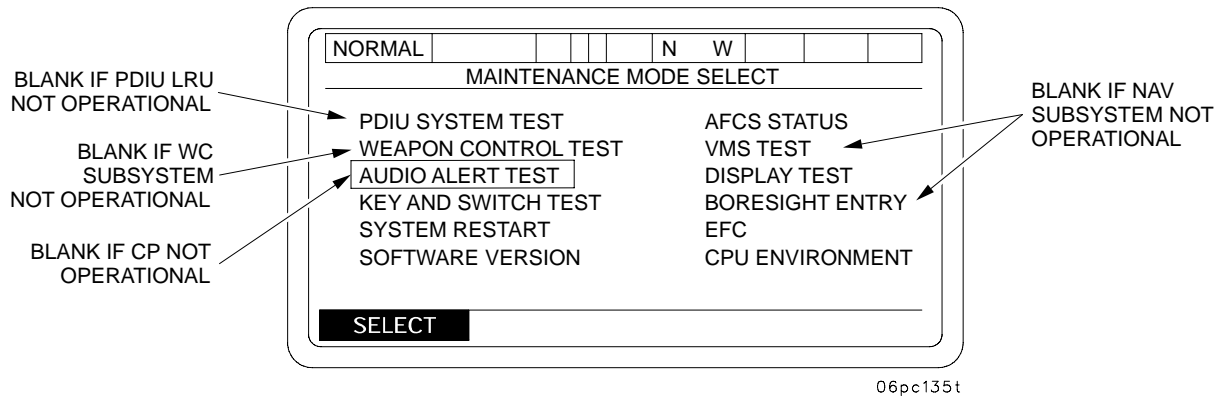
3-5.6 Audio Alert Test.

This test checks the AFCS communications system fire mission alert notification. During this test, all crewmember's intercom control boxes should emit a repeating tone for 5 seconds. Checks of CVC helmets and intercoms should be performed.

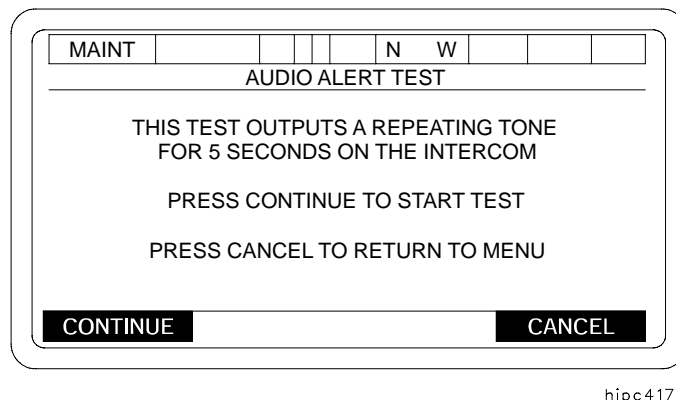
This test should be performed under the standard vehicle setup conditions.

This test is used when directed by troubleshooting procedures, or if testing intercom/CVC is desirable.

- a. Select AUDIO ALERT TEST from MAINTENANCE MODE SELECT menu. Press SELECT KEY. AUDIO ALERT TEST is displayed.



- b. Depressing soft key under CANCEL will take you back to MAINTENANCE MODE SELECT menu.
- c. Depressing soft key under CONTINUE will start your AUDIO ALERT TEST.
- d. When your AUDIO ALERT TEST is completed, you may depress soft key under CONTINUE to repeat test.
- e. When test is completed, depress soft key under CANCEL to return to MAINTENANCE MODE SELECT menu.
- f. If there is fault with your intercom/AFCS, notify unit maintenance.



3-5 AFCS AND PDIU FAULT DETECTION - CONTINUED

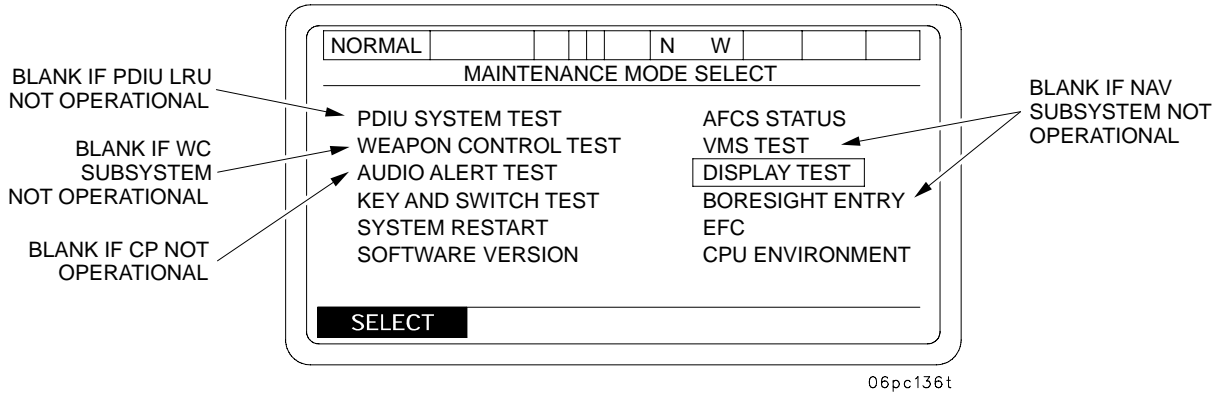
3-5.7 Display Test.

This test checks the uniform color contrast in the screen on the display unit. Information appearing on the screen may become too light to read.

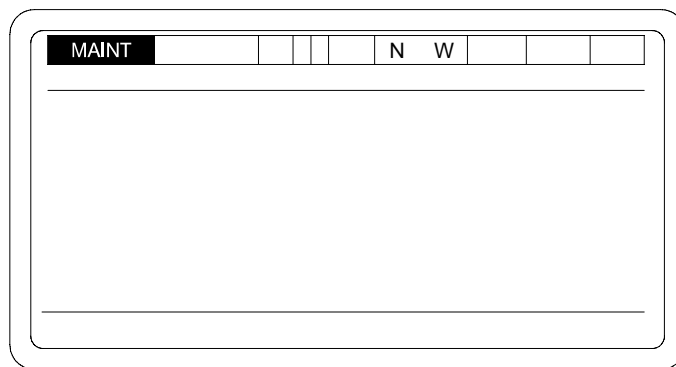
This test should be performed under standard vehicle setup condition (para 3-5.3).

This test will be used when directed by troubleshooting procedures, or if testing of DCU screen is desirable.

- a. Select DISPLAY TEST from MAINTENANCE MODE SELECT menu. Press SELECT key.



- b. Your display (EL PANEL) will become highlighted for 2 seconds. After 2 seconds, your EL PANEL will return to normal. You may reselect DISPLAY TEST if required.
- c. If there are some spots on your EL PANEL that did not light up, determine if this degraded mode is acceptable. If this is not acceptable, notify unit maintenance.



3-5 AFCS AND PDIU FAULT DETECTION - CONTINUED

3-5.8 Key and Switch Test.

NOTE

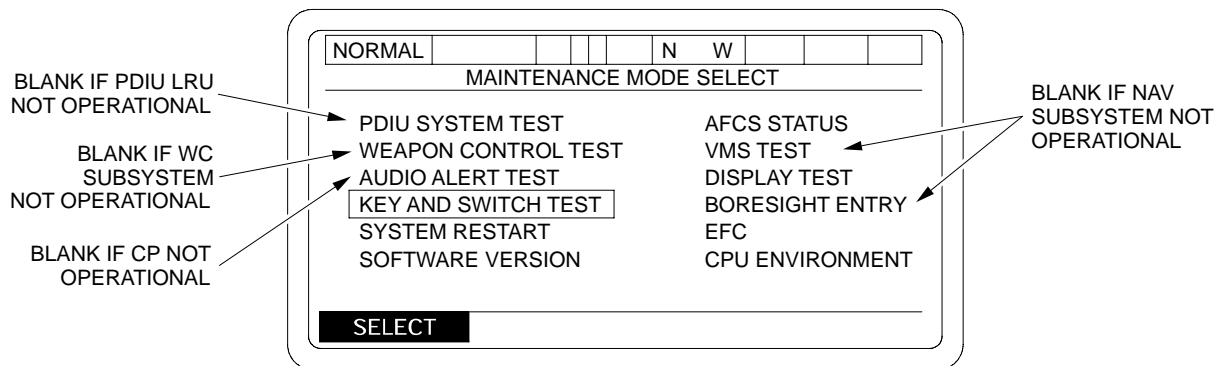
AFCS must be powered up at least 5 minutes prior to performing this test.

This test checks the response of each key and toggle switch on the display panel. The key marked T is for the embedded trainer switch and the key marked S is the GUN SERVO switch. Ensure that NOTES are observed when conducting this test.

This test should be performed under the standard vehicle setup condition (para 3-5.3).

This test will be used, when directed by troubleshooting procedures, or if malfunctions of keypad and switches are apparent.

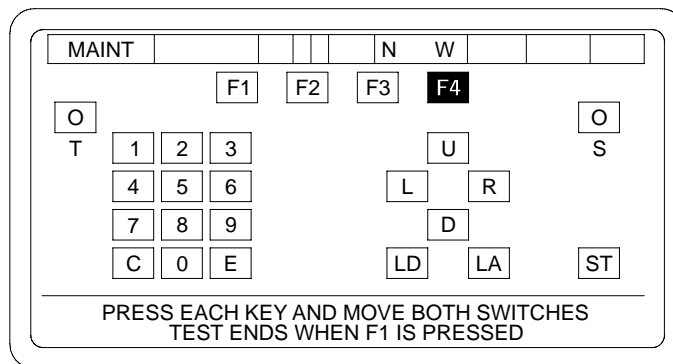
Select KEY AND SWITCH TEST from MAINTENANCE MODE SELECT menu. Press SELECT key.



06pc137t

NOTE

- Test ends when F1 (soft key) is depressed. Make sure you depress F1 soft key last while performing this test.
 - Do not place DU POWER switch to OFF during this test.
- a. Depress each key in turn (including arrow keys, soft keys, LOAD, LAY, and STOW keys) and place both switches shown to ON/OFF for testing. As each key is depressed, it will be highlighted.
 - b. As each switch/toggle is moved, it will move up or down on your EL PANEL.
 - c. If fault is indicated with your keypad, switches, soft keys, arrow keys, LOAD, LAY, or STOW keys, notify unit maintenance.



hipc4173

3-5 AFCS AND PDIU FAULT DETECTION - CONTINUED

3-5.9 Boresight Angle Entry.

This test is designed for use by unit maintenance personnel only. Operators must not use this selection.

WARNING

This selection will be used by unit maintenance personnel to input correction to NAV SUBSYSTEM boresight. Entry of improper data into boresight angle entry menu can cause gun to be laid incorrectly. This could result in injury or death to personnel down range.

NOTE

If you accidentally enter this mode, you must exit immediately by pressing the CANCEL key.

3-5.10 Equivalent Full Charge (EFC).

Two sets of EFC data is maintained by the AFCS; a cumulative set which contains the total number of rounds fired by the gun using legal charge and the accumulated EFC based on the total number of rounds fired; and an intermediate set which contains the number of rounds fired for each legal charge based on the number of rounds fired since the last update of the cumulative set. The AFCS saves both data sets in the non-volatile memory during normal AFCS power down sequencing.

The calculation of EFC is done automatically to the intermediate set for POC/BCS directed fire missions when the operator presses the soft key under the VERIFIED prompt on the VERIFY EXPENDED AMMO menu. However, should the operator not be able to VERIFY that the specified ammunition has been fired, or fire missions have been fired with data supplied by voice radios, or direct fire missions have occurred, then the operator will be required to update the AFCS Ammunition Inventory and the EFC.

To update the EFC, access the SETUP AND INFORMATION Menu place cursor on MAINTENANCE and press soft key under SELECT prompt. The MAINTENANCE MODE SELECT menu will appear. Place cursor on EFC and press soft key under SELECT prompt, the EQUIVALENT FULL CHARGE menu will be displayed. On this screen the Intermediate round count is the number of rounds since the last time that the COS verified from his DA 4513 and pressed the "UP DATE EFC" soft function key. This display allows the operator to view the following features of a propellant charge combination: EFC Factors, Cumulative EFC, Intermediate Rounds, and Cumulative Rounds. In addition, the Total Rounds and the Cumulative EFC for all propellant charge combination is displayed.

NOTE

The operator may only alter the intermediate and cumulative rounds for a given propellant charge combination. When this information is updated, it indirectly updates the remaining information.

3-5 AFCS AND PDIU FAULT DETECTION - CONTINUED

3-5.10 Equivalent Full Charge (EFC) - Continued

To update the EFC for a propellant charge combination, place cursor in RNDS column and move to the line which the propellant charge combination is on, press soft key under SELECT prompt. An update EFC rounds menu will be displayed with EFC data for the selected combination shown on line 5 of the display. Type number of rounds fired and press ENT key. The EFC menu will be displayed with number of rounds entered from previous step in the RNDS column. When the soft key under UPDATE EFC prompt is pressed, the TOTAL RNDS column will be updated with the addition, and RNDS column will become zero.

06pc426m

To return to the SETUP AND INFORMATION menu, press soft key under CANCEL prompt, the MAINTENANCE MODE SELECT menu will be displayed, press the soft key under CANCEL prompt, the SETUP AND INFORMATION menu will be displayed.

Annotations:

- APPEARS WHENEVER "AMMUNITION INVENTORY SUSPECT" APPEARS (points to EFC SUSPECT)
- DISPLAYS ONLY INTEGER PORTION OF TOTAL EFC (points to TOT EFC)

06pc138ta

NOTE

When RNDS or TOT RNDS is boxed and the CLEAR key is pressed, an "ARE YOU SURE?, YES, NO" PROMPT shall be presented to the operator. Legal values for all fields are given on the next page.

3-5 AFCS AND PDIU FAULT DETECTION - CONTINUED

3-5.10 Equivalent Full Charge (EFC) - Continued

DELETED

3-5 AFCS AND PDIU FAULT DETECTION - CONTINUED**3-5.11 AFCS and PDIU Abbreviations.**

ABBREVIATION	NAME
ACU	AFCS COMPUTER UNIT
AFCS	AUTOMATIC FIRE CONTROL SYSTEM
AOF	AZIMUTH OF FIRE
AZ	AZIMUTH
AUXA	EXTERNAL BATTERY-A
AUXB	EXTERNAL BATTERY-B
AZ/EL TACHS	AZIMUTH AND ELEVATION TACHOMETERS
AZTACH	AZIMUTH TACHOMETER
BATT	BATTERY
BB2	BRUSH BLOCK #2
BB6	BRUSH BLOCK #6
BB7	BRUSH BLOCK #7
BCS	BATTERY COMPUTER SYSTEM
BC	BALLISTIC COMPUTATION
BIT	BUILT IN TEST
BPSL	BYPASS SOLENOID
BPV	BYPASS VALVE
CBLS	CABLES
CDP	CONDITION DIPOLE
CHKFIRE	CHECK FIRE
CFN	COOLING FAN
CLCS	CLUTCH SOLENOID
CLV	CLUTCH VALVE
COMMO	COMMUNICATION
COS	CHIEF OF SECTION
COSCH	CHIEF OF SECTION CONTROL HANDLE
COSCH VLF	CHIEF OF SECTION CONTROL HANDLE VELOCITY FUSE
CP	COMMUNICATIONS PROCESSING
CPCI	COMPUTER PROGRAM CONFIGURATION ITEM
CRSH	CURRENT SHUNT
CTRL	CONTROL
CTSW	COOLING TEMPERATURE SWITCH
DAGR	DEFENSE ADVANCED GPS RECEIVER
DU	DISPLAY UNIT
DRU	DYNAMIC REFERENCE UNIT
EL	ELEVATION
ELHP	ELEVATION HANDPUMP
ELSL	ELEVATION SELECT SOLENOID
ELSV	ELEVATION SERVO VALVE

3-5 AFCS AND PDIU FAULT DETECTION - CONTINUED

3-5.11 AFCS and PDIU Abbreviations - Continued

ABBREVIATION	NAME
ELTACH	ELEVATION TACHOMETER
ELTRUN	ELEVATION TRUNNION
ELV	ELEVATION SELECT VALVE
EQ	EQUILIBRATION
EQA	EQUILIBRATION ASSEMBLY
EQACC	EQUILIBRATION ACCUMULATOR
EQHP	EQUILIBRATOR HANDPUMP
EQMANIFOLD	EQUILIBRATION MANIFOLD
EQ CHARGE VALVE	EQUILIBRATOR CHARGE VALVE
FIL	FILTER
FILA	FILTER ASSEMBLY
FIREMSN	FIRE MISSION
FLOM	FLOWMETER
FLU	FLUID
FLUSN	FLUID LEVEL SENSOR
GCH	GUNNER'S CONTROL HANDLE
GNR	GUNNER
GPS	GLOBAL POSITIONING SYSTEM
HCB	HYDRAULIC CONTROL BOX
HPUMP	HANDPUMP
HYD	HYDRAULIC
HYM	HYDRAULIC PUMP ELECTRIC MOTOR
HYP	HYDRAULIC PUMP
HYPR	HYDRAULIC POWER RELAY
MO	MOVE ORDER
MSL	MODE SELECT SOLENOID
MSV	MODE SELECT VALVE
MVS	MUZZLE VELOCITY SENSOR
NAV	NAVIGATION
NA	NAV ASSIST
NRZ	NON-RETURN TO ZERO
OLSN	OVERLOAD SENSOR
PCU	POWER CONDITIONER UNIT
PDIU	PROGNOSTIC DIAGNOSTIC INTERFACE UNIT
PLGR	PRECISION LIGHTWEIGHT GPS RECEIVER
PRESS	PRESSURE
PWR	POWER

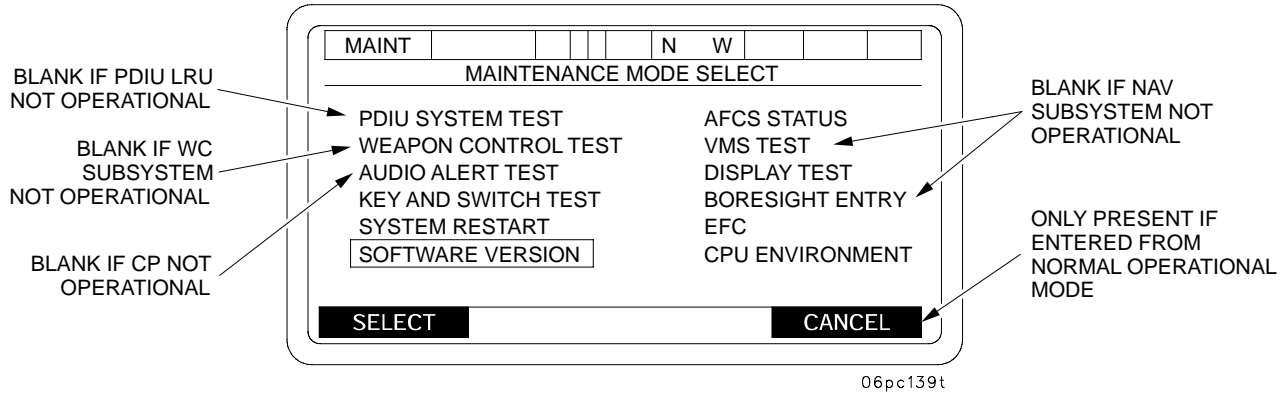
3-5 AFCS AND PDIU FAULT DETECTION - CONTINUED**3-5.11 AFCS and PDIU Abbreviations - Continued**

ABBREVIATION	NAME
PXDCR	PRESSURE TRANSDUCER
REFIL	RETURN FILTER
RR	RADIO RACK
SFIL	SUPPLY FILTER
SH	SHUNT
SL	SOLENOID
SN	SENSOR
SR	SLIP RING
SV	SERVO
SW	SWITCH
SYS	SYSTEM
TEMP	TEMPERATURE
TF XXI	TASK FORCE TWENTY-ONE
TRAV	TRAVERSE
TRAV GEAR	TRAVERSING GEAR
TRDM	TRAVERSE DRIVE MECHANISM
TRLSL	TRAVERSE LIMIT SOLENOID
TRLSW	TRAVERSE LIMIT SWITCH
TRLV	TRAVERSE LIMIT VALVE
TRSL	TRAVERSE SELECT SOLENOID
TRSV	TRAVERSE SERVO VALVE
TRV	TRAVERSE SELECT VALVE
TSN	TEMPERATURE SENSOR
TTCBL	TUBE TEMPERATURE SENSOR GFE CABLE
TTTSN	TUBE TEMPERATURE SENSOR
TXDCR	TEMPERATURE TRANSDUCER
VMS	VEHICLE MOTION SENSOR
VMSC	VEHICLE MOTION SENSOR MODEM-CAB
VMSH	VEHICLE MOTION SENSOR MODEM-HULL
VLF	VELOCITY FUSES
WC	WEAPONS CONTROLLER
WPN	WEAPON
WTSL	WARMUP TEMPERATURE SOLENOID
WTSW	WARMUP TEMPERATURE SWITCH
WTV	WARMUP TEMPERATURE VALVE

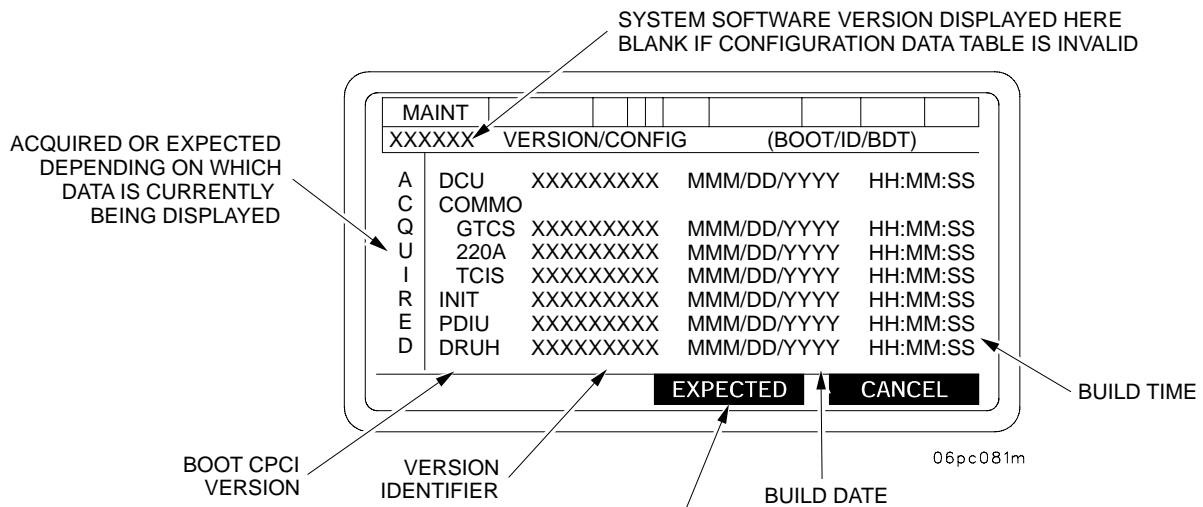
3-5 AFCS AND PDIU FAULT DETECTION - CONTINUED

3-5.12 Software Version/Configuration Display

To view detailed software configuration information for each Computer Program Configuration Item (CPCI) move cursor to "SOFTWARE VERSION" on the Maintenance Mode SELECT MENU.



Press soft key label "SELECT" and the SOFTWARE VERSION/CONFIGURATION DISPLAY as shown below will appear.



NOT PRESENT IF VERSION CONFIGURATION DEFINITION TABLE IS NOT VALID. EXPECTED OR ACQUIRED DEPENDING ON WHICH DATA IS CURRENTLY BEING DISPLAYED.

NOTE: A * IS PLACED TO THE LEFT OF ANY UNIT THAT HAS PROVIDED DATA THAT DOES NOT MATCH THE SOFTWARE CONFIGURATION TABLE ENTRY FOR THAT UNIT.

NOTE

- An asterisk (*) is placed to the left of any unit that has provided data that does not match the expected software configuration table entry for that unit. (See PDIU in the previous figure.)
- Information displayed from the DRUH can be interpreted as version configuration data.

3-5 AFCS AND PDIU FAULT DETECTION - CONTINUED

3-5.12 Software Version/Configuration Display - Continued

NOTE

- When a LRU/CPCI other than the DCU is reported with an indirect configuration, then the system will run in a degraded mode and will declare the LRU/CPCI as unavailable.
- Initially, the ACQUIRED information of the display will give the boot loader, system software version and build data for each computer program configuration item that is acceptable to the system software configuration.
- If the CPCI is not acceptable, there will be an asterisk (*) to the left of the CPCI. If the asterisk is present, this will cause the system to operate in the DEGRADED mode unless the asterisk appears next to DCU, then the system will only operate in the Maintenance mode.
- To check which version of software is acceptable, press softkey under EXPECTED.
- If a CPCI is blank, the version of software loaded is acceptable with any system configuration.
- If uploading of software is required, notify Unit Maintenance.

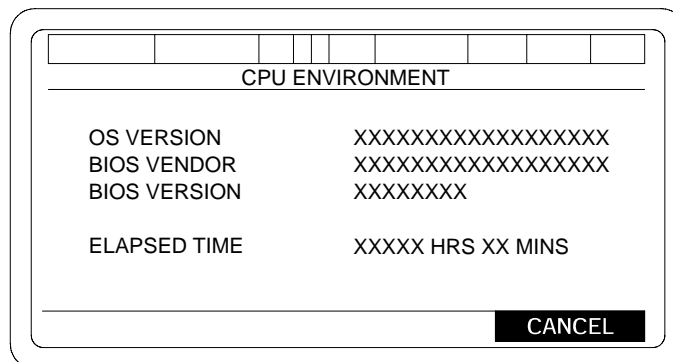
3-5.13 CPU Environment Display.

This display allows the operator to view System related parameters as follows:

Inputs:

1. Operating System Version (O/S)
2. BIOS Information (Vendor & Version)
3. Elapsed Time Meter (in hours)

The tactical software receives the data listed above from the ACU and presents this information to the operator on the DU. This information is used by maintenance personnel.



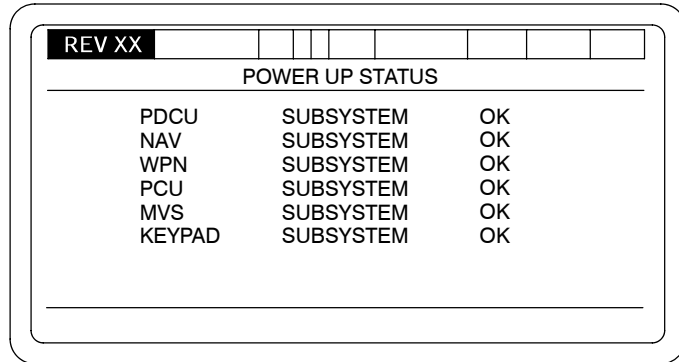
06pc428m

3-5A PDFCS AND PDI FAULT DETECTION.

3-5A.1 Power Up Built-In-Test (BIT).

The BIT is a self-test of the PDFCS. This test occurs when the vehicle MASTER power is ON and the PDFCS POWER switch (located on the PDU), is placed to ON. By placing the PDFCS POWER switch and PCU-2 circuit breakers to ON, the PDU will display the screen shown.

As each of the seven subsystems is tested, the - will change and provide a subsystem condition. An OK condition (see illustration below), indicates a subsystem is 100% functional.

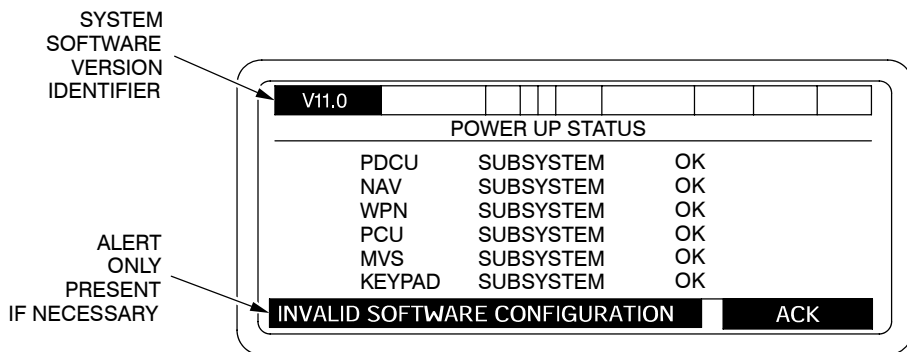


06pc076mb

NOTE

If PDU contains an incorrect configuration, the PDFCS will not allow the operator to select normal operations until a correct PDU software configuration is downloaded.

When configuration verification checking indicates that the executed software configuration is not the same as the acquired software configuration, a short error message "INVALID SOFTWARE CONFIGURATION", "ACK" will appear on the sofkey label line of the PDU.



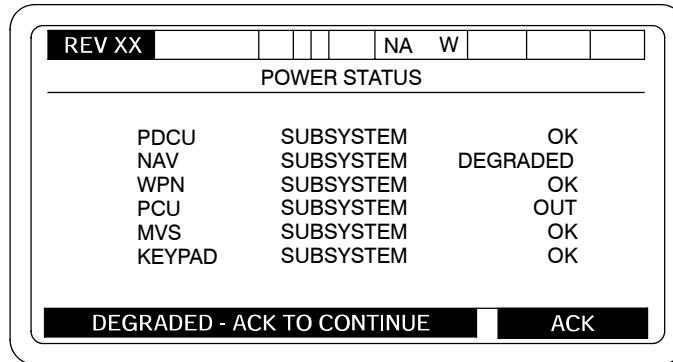
06pc073mf

When the message is acknowledged, the PDFCS will proceed to the "SELECT OPERATIONAL MODE" menu. To view detailed software configuration information for each LRU, MAINTENANCE should be selected, IAW procedure in para 3-5A.2.

3-5A PDFCS AND PDI FAULT DETECTION - CONTINUED

3-5A.1 Power Up Built-In-Test (BIT) - Continued

The display shown in the example below illustrates two conditions, DEGRADED and OUT.



06pc077mc

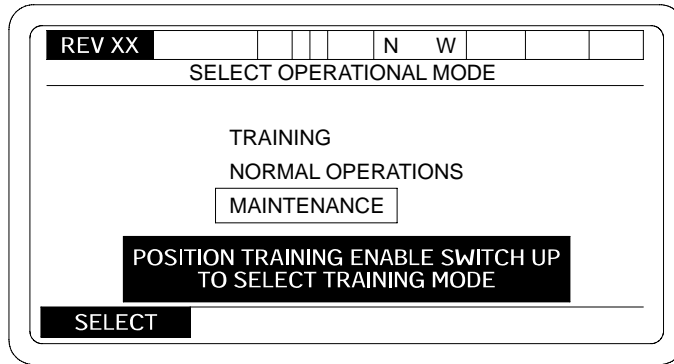
The DEGRADED condition indicates a subsystem is not 100% functional. When a degraded condition exists, it will be indicated in field 7 by one or a combination of these letters with the following meaning:

- N - Navigation
- A - GPS Aiding
- C - Communication Processing
- W - Weapon Controller

3-5A PDFCS AND PDI FAULT DETECTION - CONTINUED

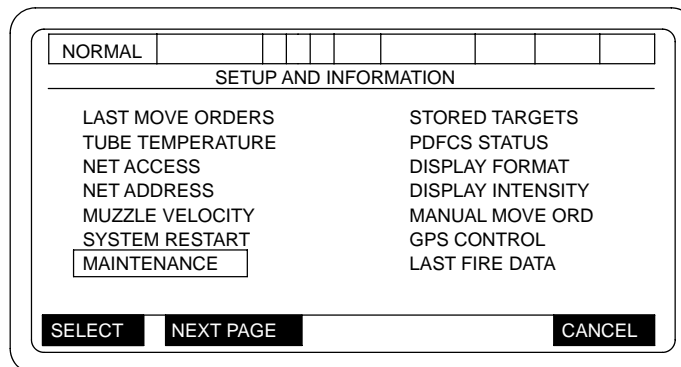
3-5A.1 Power Up Built-In-Test (BIT) - Continued

These two conditions, OUT and DGRD, will be tested to determine where the fault exists and the extent of the fault. After a fault has been detected (OUT or DGRD condition during self-test) press the illuminated soft key beneath the word ACK. After pressing the ACK key, the screen shown below will be displayed.



hipc4198

The display above depicts three modes: TRAINING, NORMAL OPERATION and MAINTENANCE. To select MAINTENANCE MODE, box in MAINTENANCE as shown in the illustration above. Press illuminated soft key beneath the word SELECT to enter maintenance mode master menu.



06pc213mc

The PDFCS also provides the capability for the PDFCS operator to transition from Normal Operational Mode functions to Maintenance Mode functions and back to Normal Operational Mode without having to perform a power down sequence, system restart, or Normal Operational Mode initialization procedures. This capability shall only be available when the PDFCS has successfully completed a Normal Operational Mode initialization. Selection of the Maintenance Mode from the PDFCS Mode Selection display shall not allow the PDFCS operator to transition to Normal Operational Mode without first performing either a power down sequence or a system restart.

When Maintenance Mode functions are selected from the PDFCS Operational Mode, the PDI shall be directed to limit intrusive testing to only those tests which will not impact the ability of the PDFCS to quickly respond to fire mission requests. When Maintenance Mode is entered from the PDFCS Mode Selection display, the PDI shall be allowed to perform its full range of intrusive tests.

3-5A PDFCS AND PDI FAULT DETECTION - CONTINUED

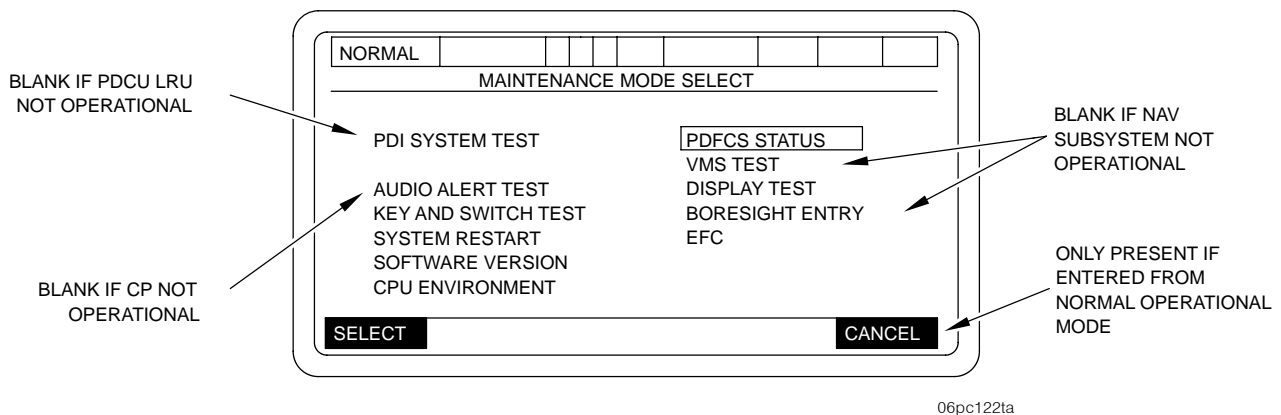
3-5A.1 Power Up Built-In-Test (BIT) - Continued

If a fire mission is received while the PDFCS is in a Maintenance Mode function which was activated from the Operational Mode, the operator shall be prompted to either accept or reject the mission. Operator acceptance of the mission shall automatically terminate all Maintenance Mode function activity and transition to Normal Operational Mode fire mission processing. Operator rejection of the mission shall cause an operator abort of the fire mission and shall cause the PDFCS to remain in the currently active Maintenance Mode function.

3-5A.2 PDFCS Status.

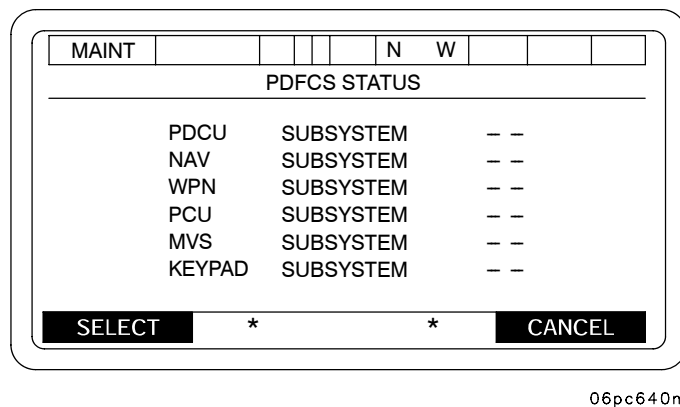
To display the PDFCS STATUS menu:

- a. Select MAINTENANCE from the SETUP AND INFORMATION menu. Press SELECT key. This will cause the MAINTENANCE MODE SELECT menu to be displayed.



If MAINTENANCE is selected from NORMAL OPERATIONAL MODE, the MAINTENANCE screen will display "SELECT" and "CANCEL" options above soft keys 1 and 4 in field 16.

- b. Select PDFCS STATUS from the MAINTENANCE MODE SELECT menu. Press SELECT key. This will cause the PDFCS STATUS menu to be displayed.



The PDFCS STATUS menu will display the various subsystem faults. Using this fault list (showing Degraded Mode of each subsystem), you will be able to determine if Degraded Mode is acceptable depending on mission requirements.

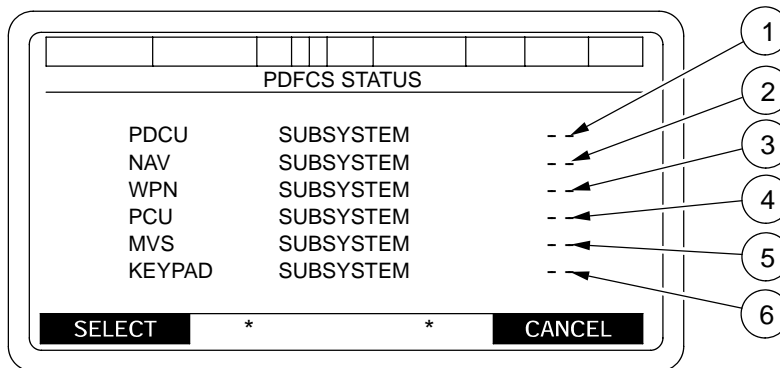
3-5A PDFCS AND PDI FAULT DETECTION - CONTINUED

3-5A.2 PDFCS Status - Continued

Certain degraded subsystems will not interfere with PDFCS operation or mission capability. It is important to know, however, which subsystem is degraded (and which BIT item has failed). Knowing which failure to compensate for/correct will allow you to carry on with your mission. The various LRUs communicate/send messages periodically within PDFCS. Whenever an LRU has not sent a message within a certain amount of time, the LRU timer sends an LRU FAILED message. In the event you get an LRU FAILED message, go into MAINTENANCE menu, check PDFCS STATUS. If LRU failed, notify unit maintenance.

The PDFCS STATUS menu is used by unit maintenance personnel, as well as by the operator. The operator must notify unit maintenance of any subsystem listed with a status of DEGRADED or OUT, then no faults within that subsystem are indicated. Look at each subsystem carefully.

Select the subsystem in question. Further information will be displayed to help determine where the fault lies.



- 1 = (OK, DEGRADED, OUT)
- 2 = (OK, DEGRADED, OUT)
- 3 = (OK, DEGRADED, OUT)
- 4 = (OK, DEGRADED, OUT)
- 5 = (OK, OUT,--)Where -- indicates that the PDFCS could not connect to the MVS
- 6 = (OK, DEGRADED, OUT)

SELECT = SELECT A SUBSYSTEM

CANCEL = CANCEL and return to SETUP AND INFORMATION menu or INTERNAL MAINTENANCE menu

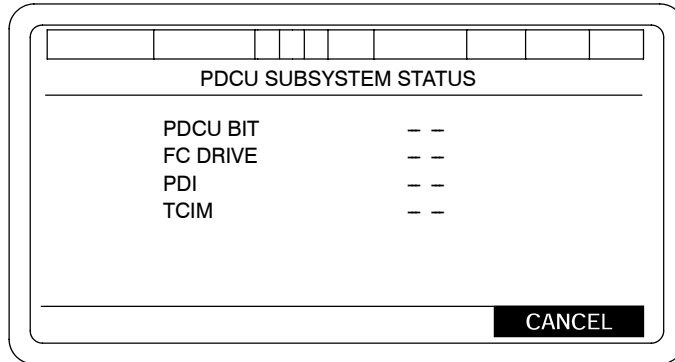
* = No test appears for these softkeys. Pressing FUNCTION KEY 2 or 3 will clear ET SIMULATED FAILURES

06pc641m

3-5A PDFCS AND PDI FAULT DETECTION - CONTINUED

3-5A.2 PDFCS Status - Continued

3-5A.2.1 PDCU SUBSYSTEM STATUS DISPLAY.

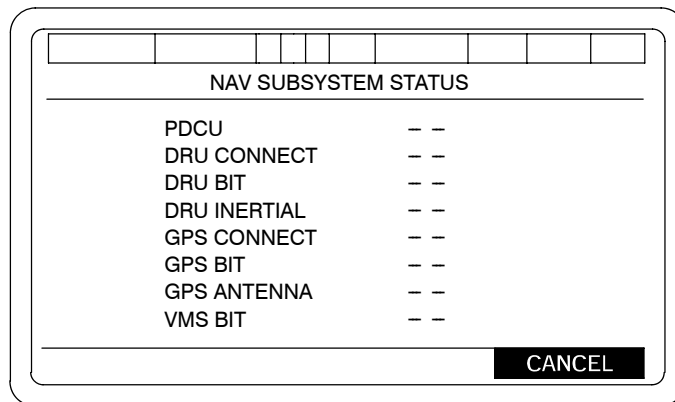


-- = (OK, FAIL)

CANCEL = Return to the PDFCS STATUS display

06pc642m

3-5A.2.2 NAV SUBSYSTEM STATUS DISPLAY.



-- = (OK, FAIL)

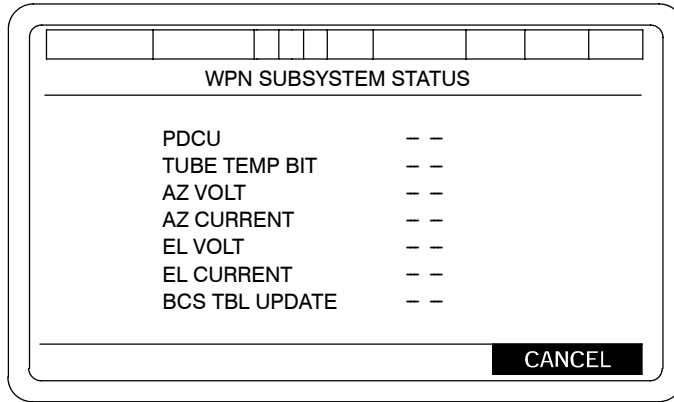
CANCEL = Return to the PDFCS STATUS display

06pc643m

3-5A PDFCS AND PDI FAULT DETECTION - CONTINUED

3-5A.2 PDFCS Status - Continued

3-5A.2.3 WPN SUBSYSTEM STATUS DISPLAY.

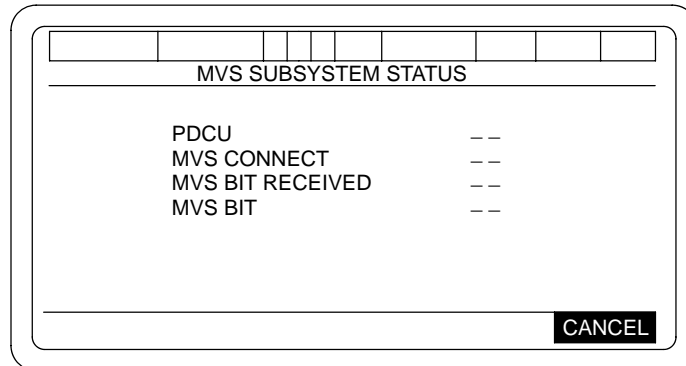


-- = (OK, FAIL)

CANCEL = Return to the PDFCS STATUS display

06pc644m

3-5A.2.4 MVS SUBSYSTEM STATUS DISPLAY.



-- = (OK, FAIL)

CANCEL = Return to the PDFCS STATUS display
= Press CANCEL twice,
returns to MAINTENANCE MODE SELECT
display

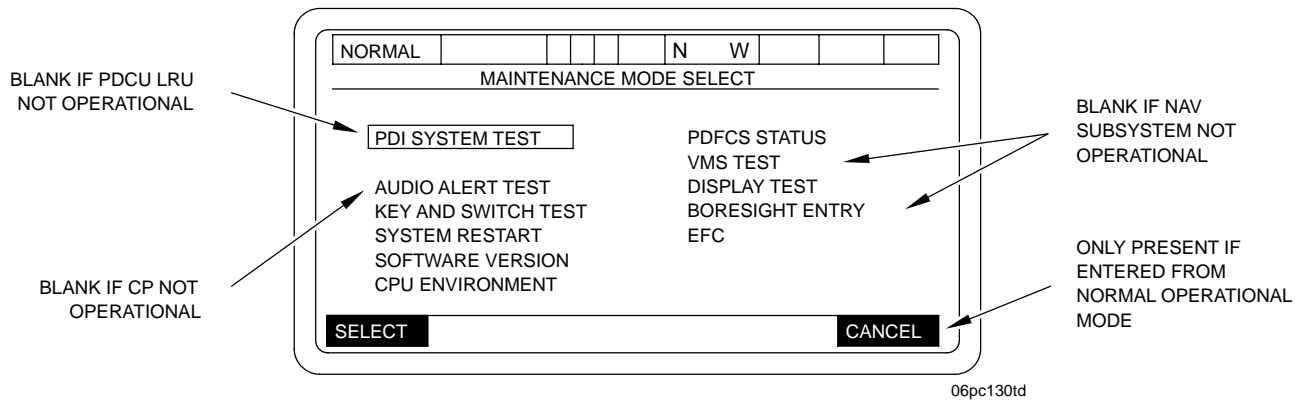
06pc645m

3-5A PDFCS AND PDI FAULT DETECTION - CONTINUED

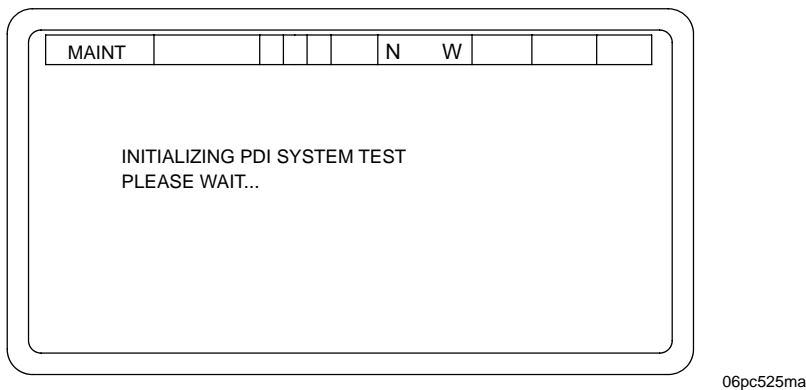
3-5A.3 PDI System Test.

Ensure NAV alignment is complete prior to performing PDI system test.

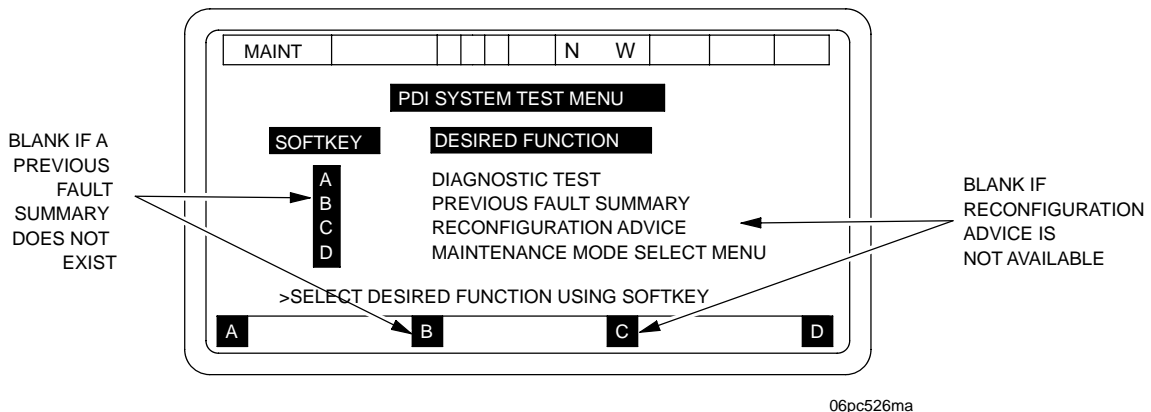
To start the PDI SYSTEM TEST, move the cursor with the arrow keys until the PDIU SYSTEM TEST is boxed, as shown below.



Press SELECT. The screen will display the prompt "ARE YOU SURE," YES OR NO. Press "YES". The screen will display the following message:



This message requires no action on your part. In 3 to 5 seconds, when the system is ready, it will be replaced with a menu display like the following:



This menu allows you to select whichever function you wish to perform.

3-5A PDFCS AND PDI FAULT DETECTION - CONTINUED

3-5A.3 PDI System Test - Continued

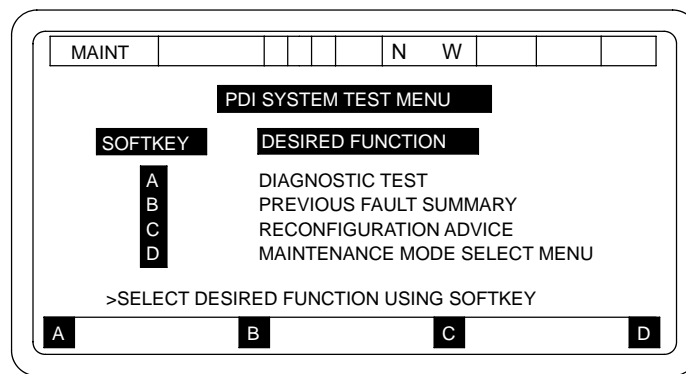
NOTE

The previous Fault Summary and Reconfiguration Advice functions are not always available. These options will not be displayed if their functions cannot be performed. (The different menu screens that can be seen because of this are shown at the end of the description.)

Each of the four functions will now be described separately.

DIAGNOSTIC TEST

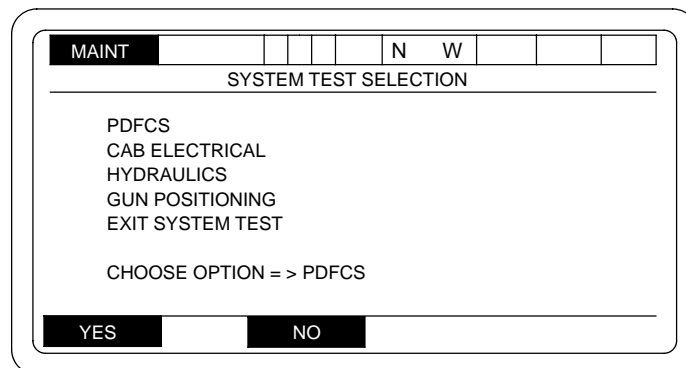
To perform DIAGNOSTIC TEST, press the "A" softkey.



06pc527ma

The next screen allows you to select which part of the system you would like to test based upon the problem you are troubleshooting. The Gun Positioning System will not be available until the hydraulics segment has been successfully tested (the PDI should not be reset). To test the entire system, all four segments should be tested in the order they appear on the screen. As each segment passes its test, the next segment should be selected from this screen without resetting the system. If any of the segmented tests fail, the fault should be corrected, the PDFCS should be reset and the testing should begin again with the first test. Continuing testing without resetting the system can result in false failures.

To perform any of the segment tests select "YES" when that segment appears behind "CHOOSE OPTION".

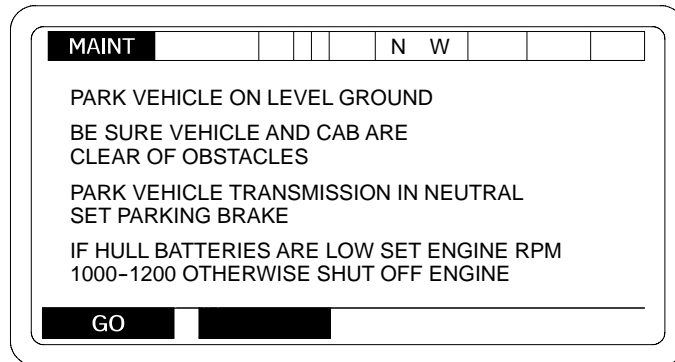


06pc377ma

3-5A PDFCS AND PDI FAULT DETECTION - CONTINUED

3-5A.3 PDI System Test - Continued

The following screen will be displayed.

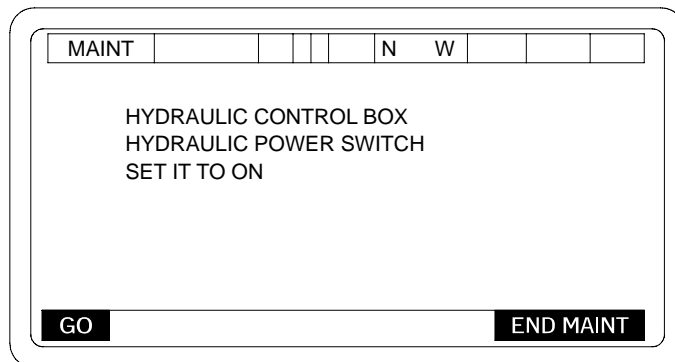


06pc378m

When you have completed the required actions, press GO softkey and testing will continue.

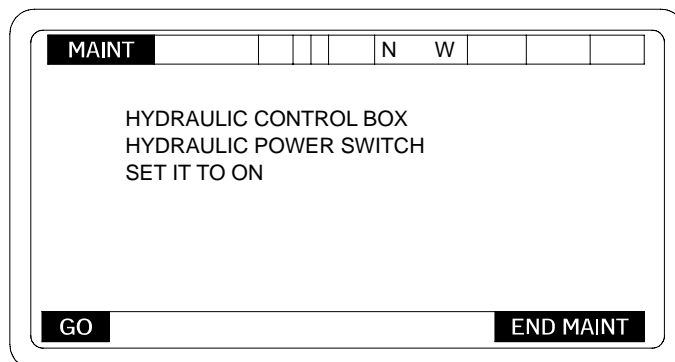
During the next few screens, you will be given the CANCEL softkey option. CANCEL is there in case you selected the DIAGNOSTIC TEST function (from the menu) by mistake or in case you changed your mind. When you press CANCEL, the system will display the PDI SYSTEM TEST MENU again.

Throughout diagnostic testing, you will be given instructions. When you press GO, you are telling the system that you have done the task it asked for. It is important that you complete the task before pressing GO because many of the decisions that the system makes are based on the actions that you made. A typical instruction is shown below:



06pc411m

When you are instructed to perform an action such as the screen below, the PDI measures the voltage of the switch.

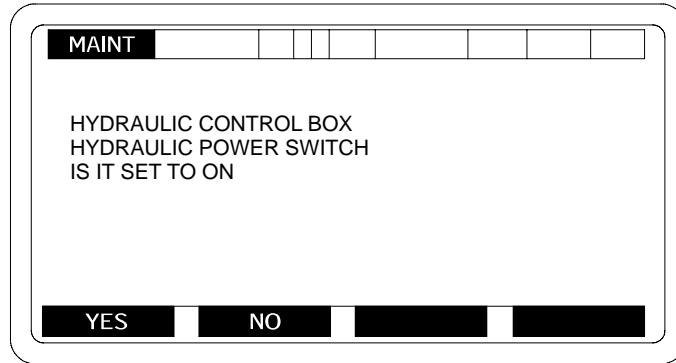


06pc408m

3-5A PDFCS AND PDI FAULT DETECTION - CONTINUED

3-5A.3 PDI System Test - Continued

If the result is not correct, then you are asked if you performed the action correctly, as shown in the screen below.

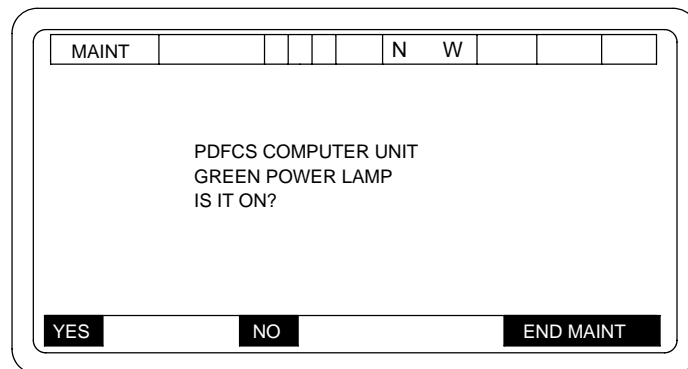


06pc409m

If you answer "YES", a fault will be detected by the PDI. If you answer "NO", you will be given another chance to perform the action correctly. Then, if the action is not performed correctly, a fault will be detected by the PDI.

Most of the displays in the main section of the DIAGNOSTIC TEST will include an END MAINT softkey at the bottom of the display. When this is present, you have the option of stopping the test at that point. If you press END MAINT, testing will immediately stop and you will see the Fault Summary display with all of the test results up to where you stopped. This feature is provided to allow you to return to normal operations with a minimum of delay if necessary. REMEMBER - When you press END MAINT, the system can only report the results of the test up to where you stopped. There may be further faults not detected.

During diagnostic testing, you will also be asked to answer questions. A typical question is shown below:



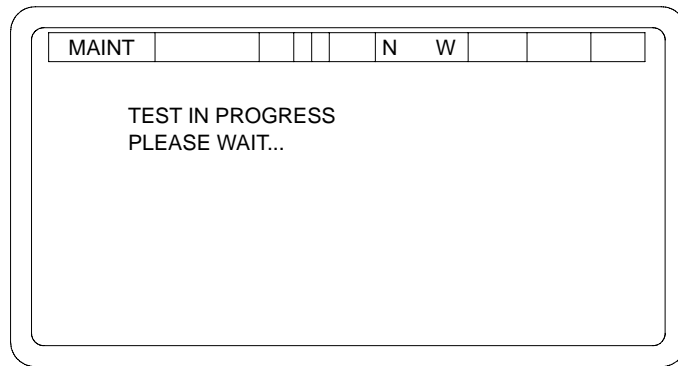
06pc407mb

Questions will always be asked so that a YES or NO answer is possible by pressing the YES or NO softkeys. The system is using your ability to see, feel and hear to get the information it needs. It uses your answers to make decisions about functions that cannot be measured directly by the PDI.

3-5A PDFCS AND PDI FAULT DETECTION - CONTINUED

3-5A.3 PDI System Test - Continued

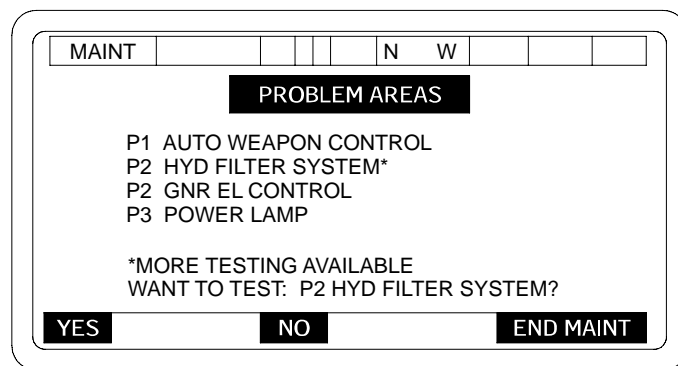
Several times during diagnostic testing, you will see messages that start with the words "TEST IN PROGRESS" like the following screen:



06pc59

These screens have no labels for the softkeys at the bottom of the screen and require no response. They are intended to let you know that the system has recognized your last response and is busy with a long test operation. When it is ready to continue, the display will automatically change to a question or instruction message.

If you are troubleshooting a hydraulics or weapon positioning problem or performing a full system checkout, you should press the YES softkey. The system will then begin a new sequence of instructions and questions. Most faults will be isolated as far as possible by the PDI during the normal sequence of DIAGNOSTIC TEST. Usually, the test sequence will run to completion and display the Fault Summary screen. However, some faults can be isolated further. This requires extra testing which can involve disconnecting cables and opening the hydraulic compartment. When one of these faults is detected, the system will remember it until it has finished all of the fault detection tests. It will then display a special menu screen like the following:



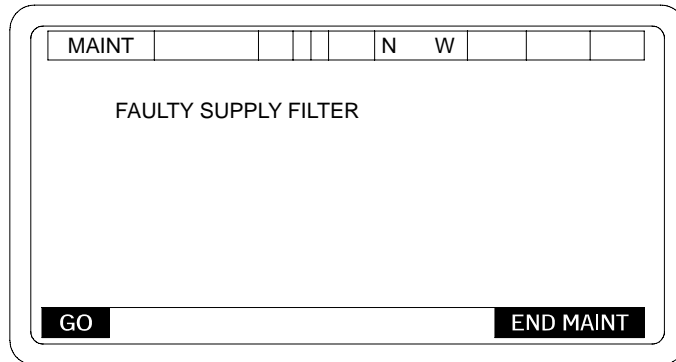
hipc4146

Each of the problem areas that requires extra testing will be displayed with an asterisk (*). The question line at the bottom will have the same name of the first extra test problem area. You can choose to continue testing this problem area by pressing YES. If you press NO, the name of the next extra test problem area will appear. As long as you continue to press NO, the names of the * problem areas will appear in the question, one at a time. If you decide not to do any of the extra testing, press END MAINT and the system will immediately display the Fault Summary.

3-5A PDFCS AND PDI FAULT DETECTION - CONTINUED

3-5A.3 PDI System Test - Continued

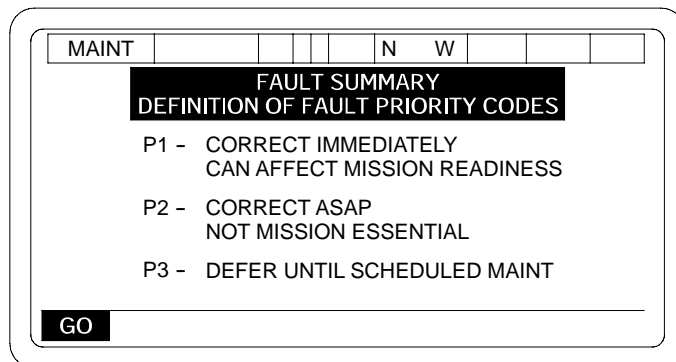
If you press the YES softkey for one of the problem areas, testing will continue with instructions and questions until the fault has been isolated as far as possible by the PDI. When the extra testing is complete, you will see a screen like the following:



hipc4147

This screen may show one faulty LRU or a short list of possible faulty LRUs that must be isolated further by manual troubleshooting procedures. It tells you that the PDI has done all of the testing it can. When you press GO, the Fault Summary screens will begin.

The first screen of the Fault Summary sequence will be definition of the Fault Priority Codes assigned to each fault message.



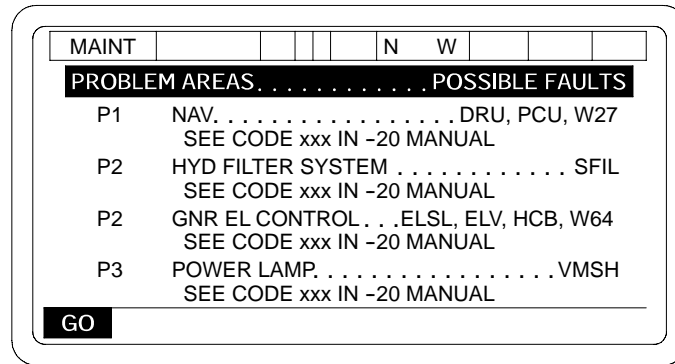
hipc4148

- P1 - These faults require immediate attention. You have lost or may soon lose a major system function that may affect your mission capabilities.
- P2 - These faults do not immediately affect your mission readiness but should be corrected as soon as possible.
- P3 - These faults can be deferred until a scheduled maintenance period.

3-5A PDFCS AND PDI FAULT DETECTION - CONTINUED

3-5A.3 PDI System Test - Continued

The fault definition screen is followed by a Fault Summary list like the one shown on the next screen. Press the GO softkey to continue.



hipc4149

The Fault Summary screens are a list of all of the problems found during screen DIAGNOSTIC TEST. When no problems have been detected, this will simply say “NO FAULTS FOUND” and the Definition of Fault Priority Codes screen will not be shown. However, when problems have been detected, a list like the one above will appear.

When the Fault Summary displays problem areas, it also displays a list of possible faulty LRUs for each problem area and a -20 manual code number. When only one LRU is listed for a problem area, DIAGNOSTIC TEST has determined that the LRU is definitely faulty and must be replaced. When more than one LRU (separated by commas) is listed as a possible fault for a problem area, further isolation by Unit Maintenance is required to determine which one of the LRUs listed is faulty.

The code number (xxx) listed in the “SEE CODE XXX IN -20 MANUAL” message is a reference to an index in the -20 manual which lists the page where the correct manual troubleshooting procedure can be found.

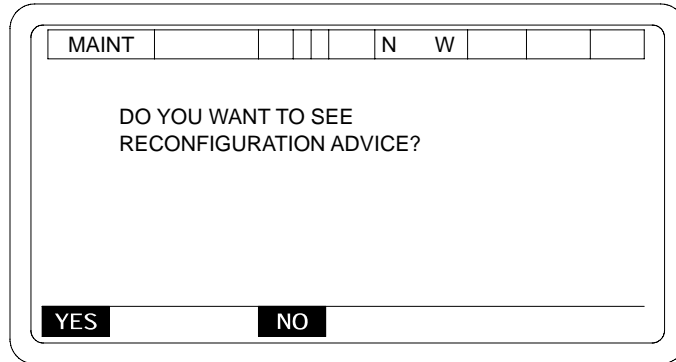
NOTE

All of the information in the Fault Summary screens should be reported to Unit Maintenance. It is a good idea to copy the list of problems and possible faults before pressing GO. If you forget or don't have time to copy all the information now, it can be redisplayed by selecting the Previous Fault Summary option in the PDIU SYSTEM TEST MENU screen the next time it is displayed, even if power has been removed.

3-5A PDFCS AND PDI FAULT DETECTION - CONTINUED

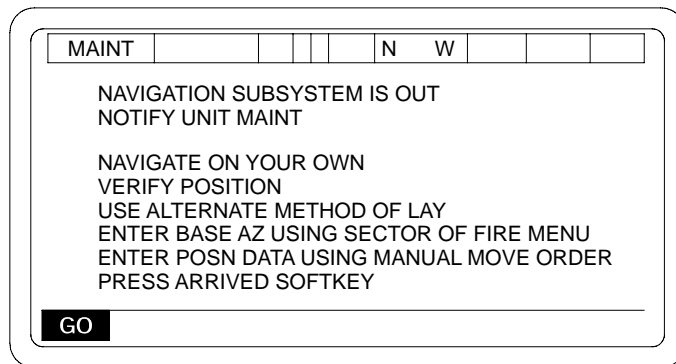
3-5A.3 PDI System Test - Continued

The Fault Summary list can take up to three screens. When you have finished viewing or copying the information on each Fault Summary screen, press GO to continue. If more faults were detected, the next Fault Summary screen will be displayed. Some faults may not appear due to limited space on the screens. After corrective actions have been accomplished, the test should be re-run to ensure no additional faults are detected. If Reconfiguration Advice is available for the detected faults, you will be asked the following question:



hipc4150

This screen offers you the chance to get further information on what backup modes of operation are available for subsystems that are not operational. If you press YES, a screen like the following will appear:



hipc4151

3-5A PDFCS AND PDI FAULT DETECTION - CONTINUED

3-5A.3 PDI System Test - Continued

Reconfiguration Advice may take more than one screen depending on which (and how many) subsystems are not operational. After you have read each screen, press the GO softkey to continue.

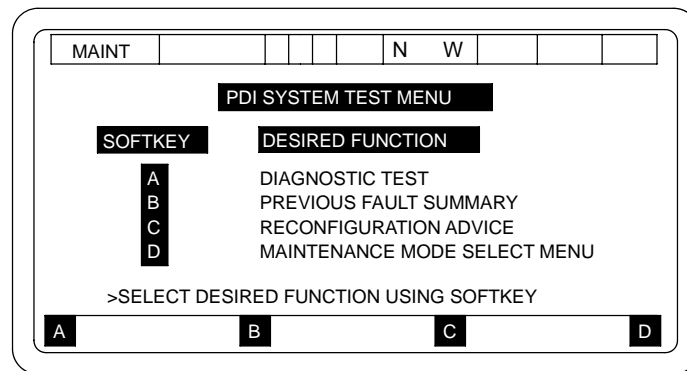
After all Reconfiguration Advice messages have been read, you will be given two screens of instructions that will return the vehicle to a given state. At this point, testing is complete. When you press the final GO, the screen will display the PDIU SYSTEM TEST MENU again.

General Notes About DIAGNOSTIC TEST

The sequence of messages and displays that you see during DIAGNOSTIC TEST will vary depending on the number of faults present in the vehicle. The system will choose its own path through the tests and guide you with instructions. Don't be concerned if you see messages and questions you haven't seen before. The system is simply troubleshooting a fault you haven't had before.

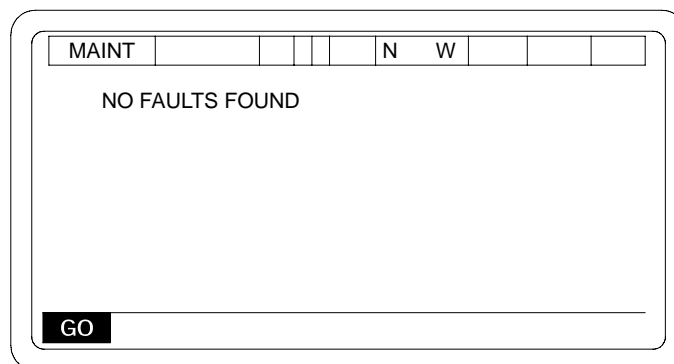
PREVIOUS FAULT SUMMARY

To view the PREVIOUS FAULT SUMMARY, press the B softkey.



06pc527ma

The PREVIOUS FAULT SUMMARY is a list of all the problems found during the last DIAGNOSTIC TEST performed. If no problems were detected, the following message will be displayed:

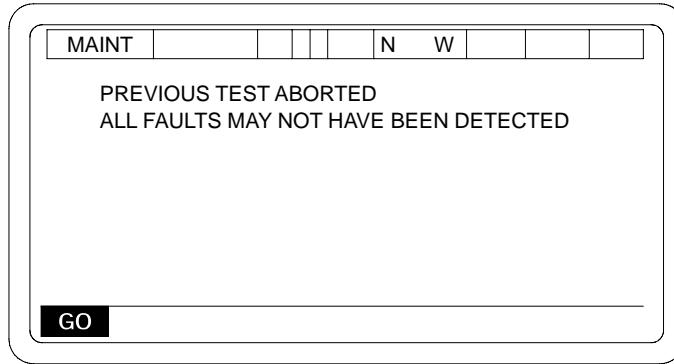


06pc4152

3-5A PDFCS AND PDI FAULT DETECTION - CONTINUED

3-5A.3 PDI System Test - Continued

If the last DIAGNOSTIC TEST was aborted before completion, you will also see the following message:

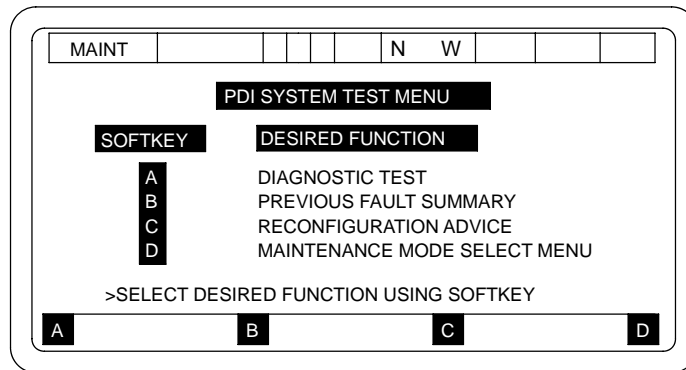


hipc4153

When all screens in the Previous Fault Summary display sequence have been viewed, the PDIU SYSTEM TEST MENU will automatically be displayed again.

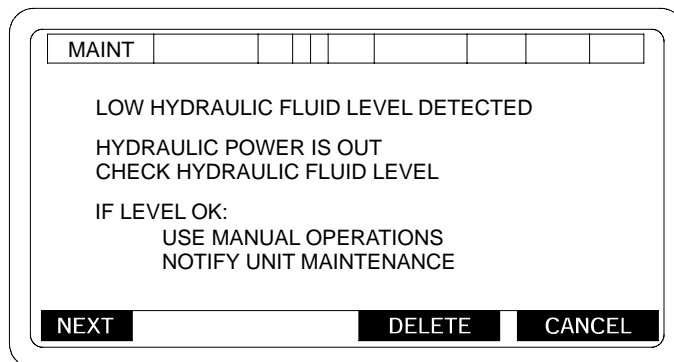
RECONFIGURATION ADVICE

To view Background Monitoring Mode RECONFIGURATION ADVICE, press the C softkey.



06pc527ma

A screen like the following will be displayed:



hipc4154

3-5A PDFCS AND PDI FAULT DETECTION - CONTINUED

3-5A.3 PDI System Test - Continued

RECONFIGURATION ADVICE offers you the opportunity to get more information on what Backup Modes of Operation are available for subsystems that are not operational. This information is displayed for each warning message sent to the PDCU during Normal Operations. RECONFIGURATION ADVICE can take several screens to display as each warning message/advisory information is displayed on a separate screen. You can cycle through and delete the messages as desired.

If you press NEXT, the next warning message and its advisory information will be displayed. If you press DELETE, the warning message and its advisory information displayed will be deleted and the next warning message will appear.

Throughout RECONFIGURATION ADVICE, the CANCEL softkey is available to you. If you press CANCEL, you will exit from RECONFIGURATION ADVICE and the PDI SYSTEM TEST MENU will be displayed again.

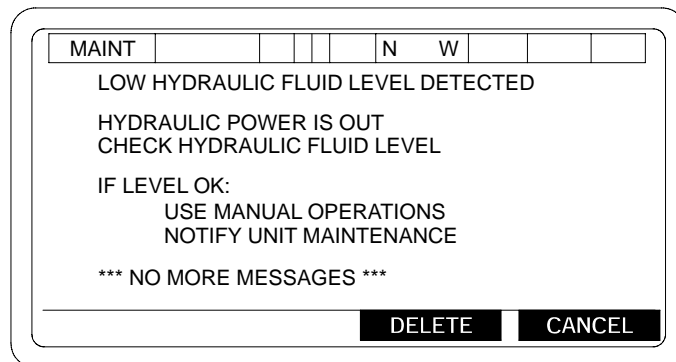
After all messages have been viewed, the following display will appear:



hipc4155

You can press NEXT to cycle through all the messages which were not deleted. Or press CANCEL to exit.

When the last message is displayed and there are no more messages to view, a display like the following will appear:



hipc4156

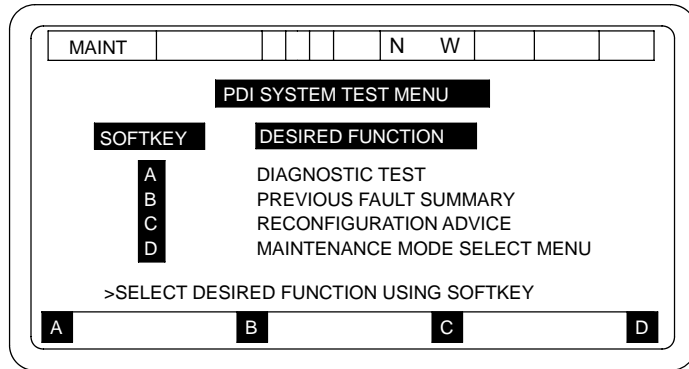
If you press DELETE, the warning message and its advisory information will be deleted and the PDI SYSTEM TEST MENU will be displayed again.

3-5A PDFCS AND PDI FAULT DETECTION - CONTINUED

3-5A.3 PDI System Test - Continued

MAINTENANCE MODE SELECT MENU

To exit from PDI SYSTEM TEST, press the D softkey.



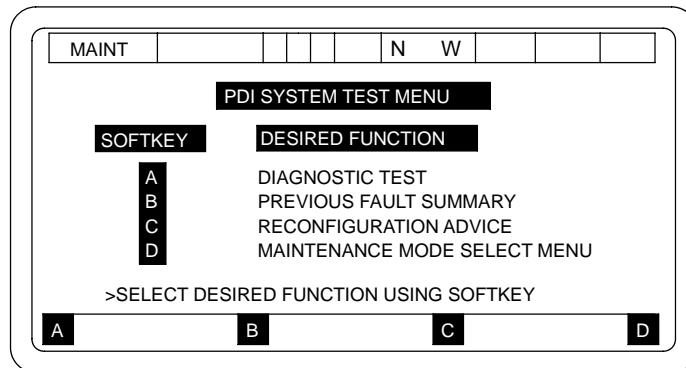
06pc527ma

Pressing D will terminate PDI SYSTEM TEST and the MAINTENANCE MODE SELECT menu screen will appear. The PDI will automatically enter into its Background Monitoring Mode.

PDI SYSTEM TEST MENU VARIATIONS

The following screens show all of the different menus that can be displayed when entering the PDI SYSTEM TEST. As mentioned above, all options are not always available. An option will not be displayed if its function cannot be performed.

In the following screen, all options are available to the user.

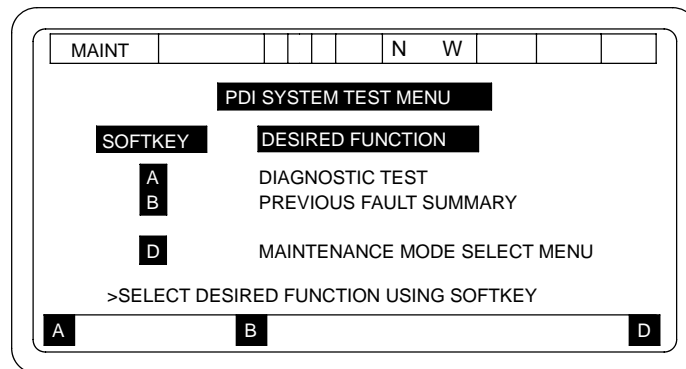


06pc527ma

3-5A PDFCS AND PDI FAULT DETECTION - CONTINUED

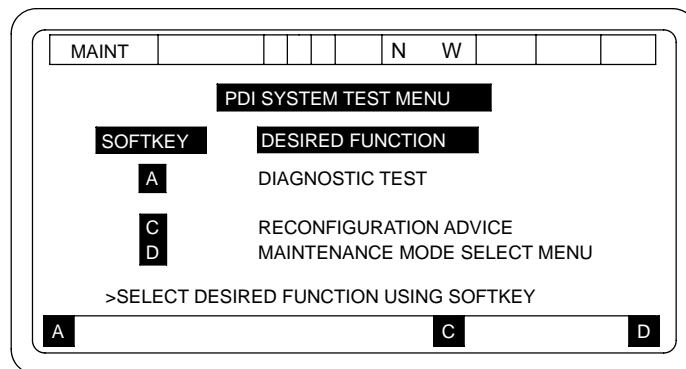
3-5A.3 PDI System Test - Continued

The RECONFIGURATION ADVICE option is missing from the following menu screen. RECONFIGURATION ADVICE will only be available for warning messages sent to the PDCU during Normal Operations and for certain faults detected by the PDFCS.



06pc542ma

The PREVIOUS FAULT SUMMARY option is missing from the following menu screen. A PREVIOUS FAULT SUMMARY will only be available if the last DIAGNOSTIC TEST performed was aborted while in progress and faults had been detected or if the last DIAGNOSTIC TEST was completed.

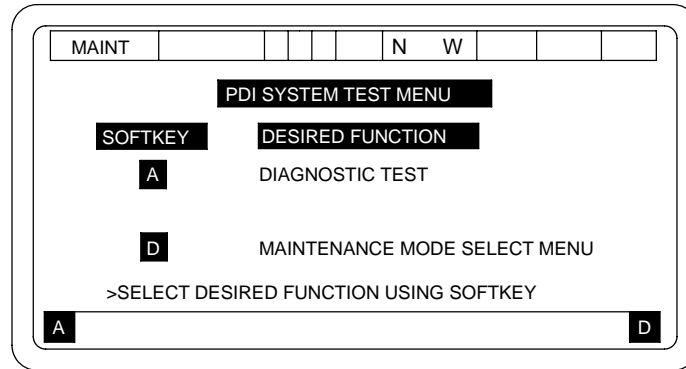


06pc543ma

3-5A PDFCS AND PDI FAULT DETECTION - CONTINUED

3-5A.3 PDI System Test - Continued

Both the PREVIOUS FAULT SUMMARY and RECONFIGURATION ADVICE options are missing from the following menu screen. Neither of these options can be performed. DIAGNOSTIC TEST and MAINTENANCE MODE SELECT MENU options will always be available.



06pc546ma

DIAGNOSTIC TEST is the way you perform all diagnostic testing.

MAINTENANCE MODE SELECT MENU is the way you end PDI system testing and return to PDFCS operations.

3-5A PDFCS AND PDI FAULT DETECTION - CONTINUED

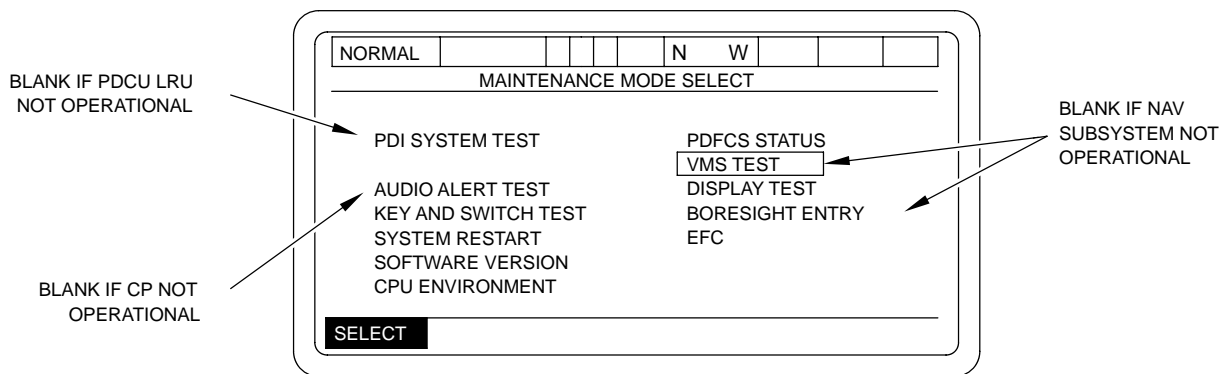
3-5A.4 Vehicle Motion Sensor Test.

This test is designed to check Vehicle Positioning System. The VMS provides signals to the PDFCS that aid in the location and positioning of vehicle (coordinates).

This test SHOULD be performed under standard vehicle setup conditions (para 3-5A.3). This test is used whenever directed by troubleshooting procedures, or when NAV DEGRADED is displayed on the PDU and you get ZUPT requests after about 4 minutes of travel.

If test results indicate that VMS is not properly functioning, notify unit maintenance personnel for corrective action.

- a. Select VMS TEST from MAINTENANCE MODE SELECT menu.



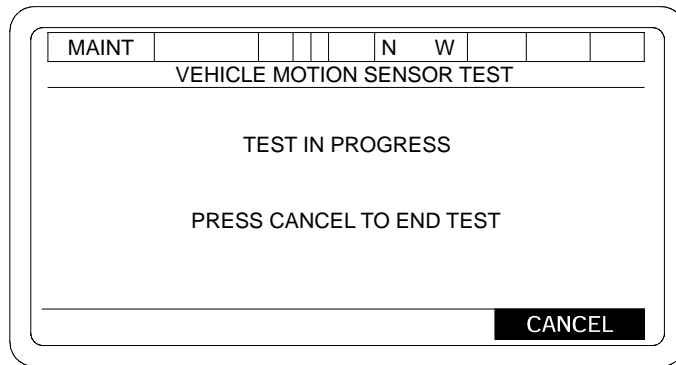
06pc134ta

3-5A PDFCS AND PDI FAULT DETECTION - CONTINUED

3-5A.4 Vehicle Motion Sensor Test - Continued

This test is run automatically.

- b. Depressing soft key under CANCEL will end test and take you back to MAINTENANCE MODE SELECT menu.

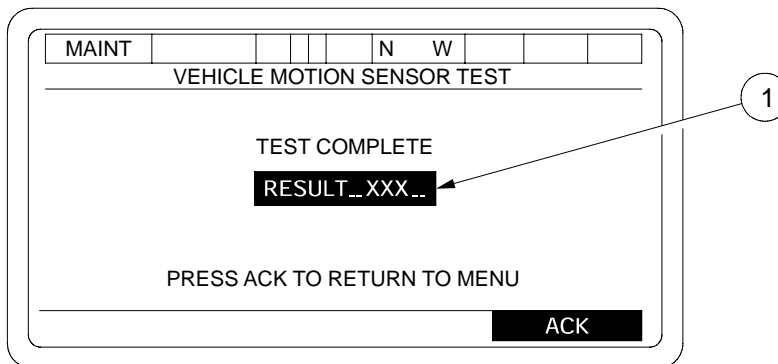


hipc4167

If test results indicate a fault, determine if this degraded mode is acceptable. If not, notify unit maintenance.

Test results can show any of the following:

- RESULT -- VMS GOOD
- RESULT -- VMS BAD
- RESULT -- CAB SIDE VMS MODEM BAD
- RESULT -- CHASSIS SIDE VMS MODEM BAD



hipc4168

- 1 VMS GOOD
- OR
- CHASSIS SIDE VMS MODEM BAD
- OR
- CAB SIDE VMS MODEM BAD
- OR
- VMS BAD

- c. When test is ended, depress soft key under ACK. This will take you back to MAINTENANCE MODE SELECT menu.

3-5A PDFCS AND PDI FAULT DETECTION - CONTINUED

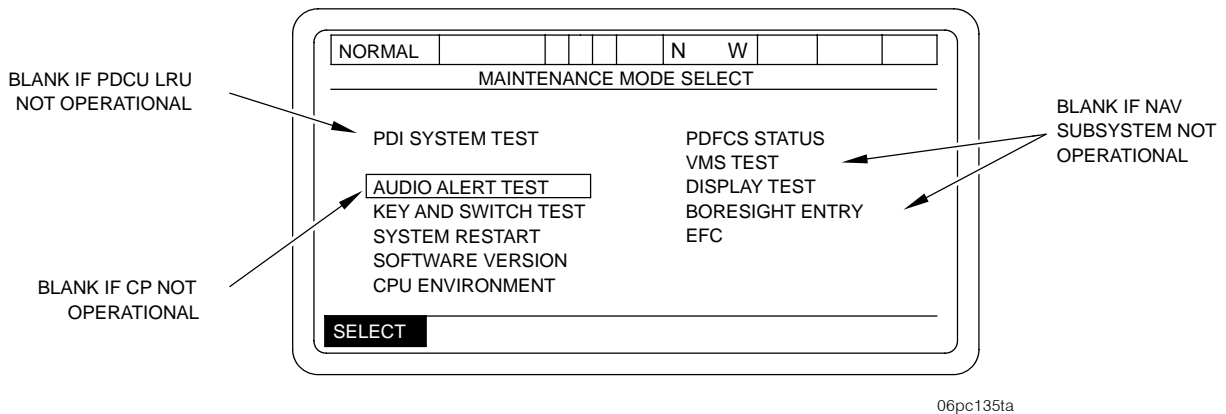
3-5A.5 Audio Alert Test.

This test checks the PDFCS communications system fire mission alert notification. During this test, all crewmember's intercom control boxes should emit a repeating tone for 5 seconds. Checks of CVC helmets and intercoms should be performed.

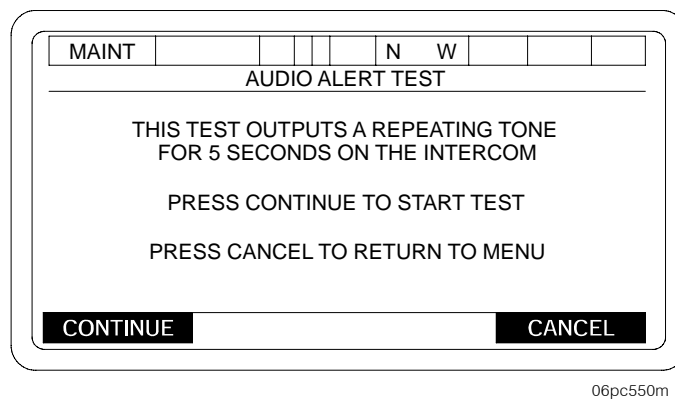
This test should be performed under the standard vehicle setup conditions.

This test is used when directed by troubleshooting procedures, or if testing intercom/CVC is desirable.

- a. Select AUDIO ALERT TEST from MAINTENANCE MODE SELECT menu. Press SELECT KEY. AUDIO ALERT TEST is displayed.



- b. Depressing soft key under CANCEL will take you back to MAINTENANCE MODE SELECT menu.
- c. Depressing soft key under CONTINUE will start your AUDIO ALERT TEST.
- d. When your AUDIO ALERT TEST is completed, you may depress soft key under CONTINUE to repeat test.
- e. When test is completed, depress soft key under CANCEL to return to MAINTENANCE MODE SELECT menu.
- f. If there is fault with your intercom/PDFCS, notify unit maintenance.



3-5A PDFCS AND PDI FAULT DETECTION - CONTINUED

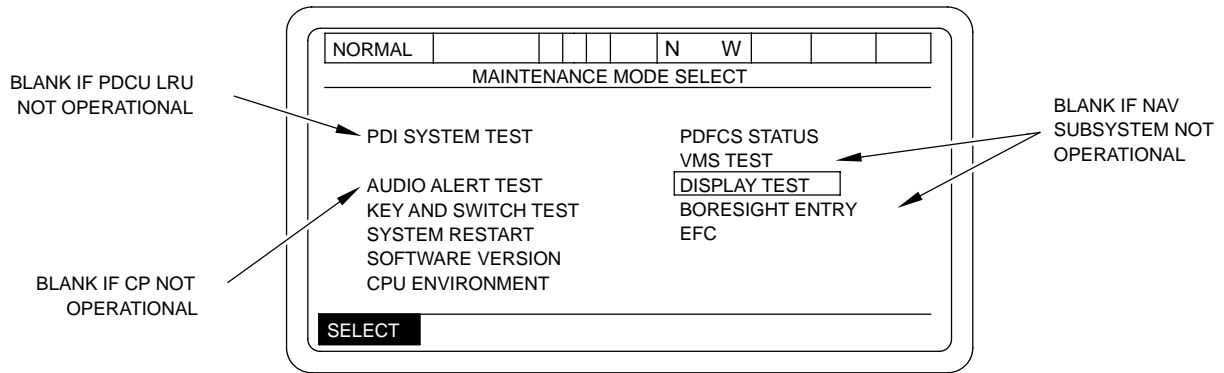
3-5.6 Display Test.

This test checks the uniform color contrast of the display. Information appearing on the screen may become too light to read.

This test should be performed under standard vehicle setup condition (para 3-5A.3).

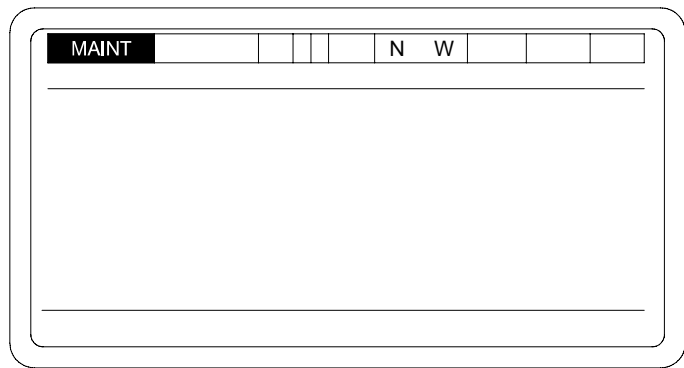
This test will be used when directed by troubleshooting procedures, or if testing of PDU screen is desirable.

- a. Select DISPLAY TEST from MAINTENANCE MODE SELECT menu. Press SELECT key.



06pc136tb

- b. Your display will become highlighted for 2 seconds. After 2 seconds, the display will return to normal. You may reselect DISPLAY TEST if required.
- c. If there are some spots on your display that did not light up, determine if this degraded mode is acceptable. If this is not acceptable, notify unit maintenance.



06pc136ta

3-5A PDFCS AND PDI FAULT DETECTION - CONTINUED

3-5A.7 Key and Switch Test.

NOTE

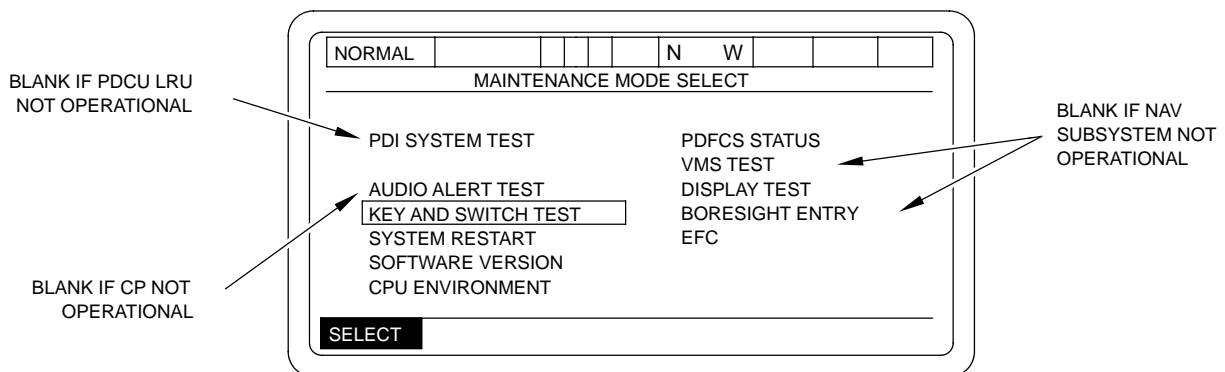
PDFCS must be powered up at least 5 minutes prior to performing this test.

This test checks the response of each key and toggle switch on the display. The key marked T is for the embedded trainer switch and the key marked S is the GUN SERVO switch. Ensure that NOTES are observed when conducting this test.

This test should be performed under the standard vehicle setup condition (para 3-5A.3).

This test will be used when directed by troubleshooting procedures, or if malfunctions of PDFCS keypad and switches are apparent.

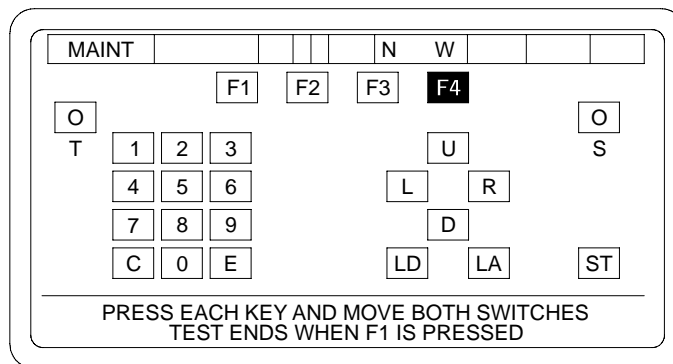
Select KEY AND SWITCH TEST from MAINTENANCE MODE SELECT menu. Press SELECT key.



06pc1371a

NOTE

- Test ends when F1 (soft key) is depressed. Make sure you depress F1 soft key last while performing this test.
 - Do not place PDFCS POWER switch to OFF during this test.
- a. Depress each key in turn (including arrow keys, soft keys, LOAD, LAY, and STOW keys) and place both switches shown to ON/OFF for testing. As each key is depressed, it will be highlighted.
 - b. As each switch/toggle is moved, it will move up or down on your display.
 - c. If fault is indicated with your PDFCS keypad, switches, soft keys, arrow keys, LOAD, LAY, or STOW keys, notify unit maintenance.



hipc4173

3-5A PDFCS AND PDI FAULT DETECTION - CONTINUED

3-5A.8 Boresight Angle Entry.

This test is designed for use by unit maintenance personnel only. Operators must not use this selection.

WARNING

This selection will be used by unit maintenance personnel to input correction to NAV SUBSYSTEM boresight. Entry of improper data into boresight angle entry menu can cause gun to be laid incorrectly. This could result in injury or death to personnel down range.

NOTE

If you accidentally enter this mode, you must exit immediately by pressing the CANCEL key.

3-5A.9 Equivalent Full Charge (EFC).

Two sets of EFC data is maintained by the PDFCS; a cumulative set which contains the total number of rounds fired by the gun using legal charge and the accumulated EFC based on the total number of rounds fired; and an intermediate set which contains the number of rounds fired for each legal charge based on the number of rounds fired since the last update of the cumulative set. The PDFCS saves both data sets in the non-volatile memory during normal PDFCS power down sequencing.

The calculation of EFC is done automatically to the intermediate set for POC/BCS directed fire missions when the operator presses the soft key under the VERIFIED prompt on the VERIFY EXPENDED AMMO menu. However, should the operator not be able to VERIFY that the specified ammunition has been fired, or fire missions have been fired with data supplied by voice radios, or direct fire missions have occurred, then the operator will be required to update the PDFCS Ammunition Inventory and the EFC.

To update the EFC, access the SETUP AND INFORMATION Menu, place cursor on MAINTENANCE, and press soft key under SELECT prompt. The MAINTENANCE MODE SELECT menu will appear. Place cursor on EFC and press soft key under SELECT prompt, the EQUIVALENT FULL CHARGE menu will be displayed. On this screen the Intermediate round count is the number of rounds since the last time that the COS verified from his DA 4513 and pressed the "UP DATE EFC" soft function key. This display allows the operator to view the following features of a propellant charge combination: EFC Factors, Cumulative EFC, Intermediate Rounds, and Cumulative Rounds. In addition, the Total Rounds and the Cumulative EFC for all propellant charge combination is displayed.

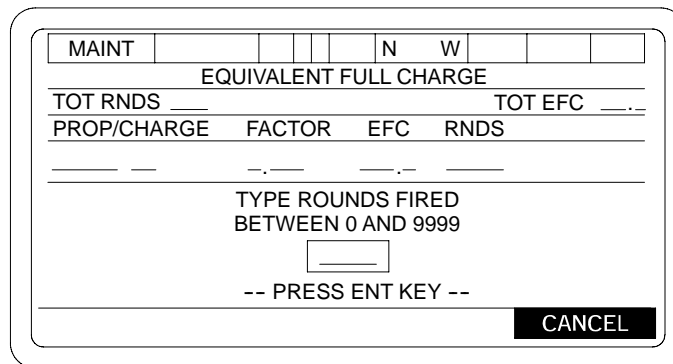
NOTE

The operator may only alter the intermediate and cumulative rounds for a given propellant charge combination. When this information is updated, it indirectly updates the remaining information.

3-5A PDFCS AND PDI FAULT DETECTION - CONTINUED

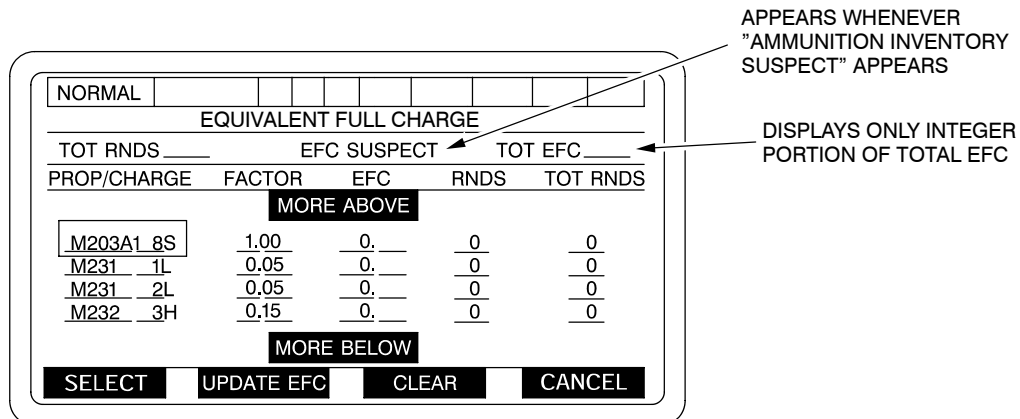
3-5A.9 Equivalent Full Charge (EFC) - Continued

To update the EFC for a propellant charge combination, place cursor in RNDS column and move to the line which the propellant charge combination is on, press soft key under SELECT prompt. An update EFC rounds menu will be displayed with EFC data for the selected combination shown on line five of the display. Type number of rounds fired and press ENT key. The EFC menu will be displayed with number of rounds entered from previous step in the RNDS column. When the soft key under UPDATE EFC prompt is pressed, the TOTAL RNDS column will be updated with the addition, and RNDS column will become zero.



06pc426m

To return to the SETUP AND INFORMATION menu, press soft key under CANCEL prompt, the MAINTENANCE MODE SELECT menu will be displayed, press the soft key under CANCEL prompt, the SETUP AND INFORMATION menu will be displayed.



06pc138ta

NOTE

When RNDS or TOT RNDS is boxed and the CLEAR key is pressed, an "ARE YOU SURE?, YES, NO" PROMPT shall be presented to the operator.

3-5A PDFCS AND PDI FAULT DETECTION - CONTINUED

3-5A.10 PDFCS and PDCU Abbreviations.

ABBREVIATION	NAME
ABCS	ARMY BATTLE COMMAND SYSTEM
AOF or AF	AZIMUTH OF FIRE
ATCCS	ARMY TACTICAL COMMAND AND CONTROL SYSTEM
AUXA	EXTERNAL BATTERY-A
AUXB	EXTERNAL BATTERY-B
AZ	AZIMUTH
AZ/EL	AZIMUTH AND ELEVATION TACHOMETERS
AZTACH	TACHOMETER
BATT	BATTERY
BB2	BRUSH BLOCK #2
BB6	BRUSH BLOCK #6
BB7	BRUSH BLOCK #7
BC	BALLISTIC COMPUTATION
BCS	BATTERY COMPUTER SYSTEM
BDE	BRIGADE
BFA	BATTLEFIELD FUNCTIONAL AREAS
BIT	BUILT IN TEST
BN	BATTALION
BPSL	BYPASS SOLENOID
BPV	BYPASS VALVE
C3	COMMAND, CONTROL, AND COMMUNICATION
CBLS	CABLES
CDP	CONDITION DIPOLE
CHKFIRE	CHECK FIRE
CFN	COOLING FAN
CLCS	CLUTCH SOLENOID
CLV	CLUTCH VALVE
COMMO	COMMUNICATION
COS	CHIEF OF SECTION
COSCH	CHIEF OF SECTION CONTROL HANDLE
COSCH VLF	CHIEF OF SECTION CONTROL HANDLE VELOCITY FUSE
COTS	COMMERCIAL OFF THE SHELF
CP	COMMUNICATIONS PROCESSING
CPCI	COMPUTER PROGRAM CONFIGURATION ITEM
CPU	COMPUTER PROCESSING UNIT
CRSH	CURRENT SHUNT
CTRL	CONTROL
CTSW	COOLING TEMPERATURE SWITCH
DRU	DYNAMIC REFERENCE UNIT

3-5A PDFCS AND PDI FAULT DETECTION - CONTINUED**3-5A.10 PDFCS and PDCU Abbreviations - Continued**

ABBREVIATION	NAME
EDS	ENHANCED DISPLAY SYSTEM
EL	ELEVATION
ELHP	ELEVATION HAND PUMP
ELSL	ELEVATION SELECT SOLENOID
ELSV	ELEVATION SERVO VALVE
ELTACH	ELEVATION TACHOMETER
ELTRUN	ELEVATION TRUNNION
ELV	ELEVATION SELECT VALVE
EQ	EQUILIBRATION
EQA	EQUILIBRATION ASSEMBLY
EQACC	EQUILIBRATION ACCUMULATOR
EQHP	EQUILIBRATOR HANDPUMP
EQMANIFOLD	EQUILIBRATION MANIFOLD
EQ CHARGE VALVE	EQUILIBRATOR CHARGE VALVE
FC	FIRE CONTROL
FIL	FILTER
FILA	FILTER ASSEMBLY
FIREMSN	FIRE MISSION
FLOM	FLOWMETER
FLU	FLUID
FLUSN	FLUID LEVEL SENSOR
GB	GIGABYTES
GCH	GUNNER'S CONTROL HANDLE
GNR	GUNNER
GPS	GLOBAL POSITIONING SYSTEM
HCB	HYDRAULIC CONTROL BOX
HPUMP	HANDPUMP
HYD	HYDRAULIC
HYM	HYDRAULIC PUMP ELECTRIC MOTOR
HYP	HYDRAULIC PUMP
HYPR	HYDRAULIC POWER RELAY
KU	KEYBOARD UNIT
LAN	LOCAL AREA NETWORK
MB	MEGABYTES
MO	MOVE ORDER
MSL	MODE SELECT SOLENOID
MSV	MODE SELECT VALVE
MVS	MUZZLE VELOCITY SENSOR

3-5A PDFCS AND PDI FAULT DETECTION - CONTINUED**3-5A.10 PDFCS and PDCU Abbreviations - Continued**

ABBREVIATION	NAME
NA	NAV ASSIST
NAV	NAVIGATION
NRZ	NON-RETURN TO ZERO
OLSN	OVERLOAD SENSOR
PCU/PCU-2	POWER CONDITIONER UNIT-2
PDCU	PROGNOSTIC DIAGNOSTIC INTERFACE UNIT
PDFCS	PALADIN DIGITAL FIRE CONTROL SYSTEM
PDI	PROGNOSTIC/DIAGNOSTIC INTERFACE
PDU	PALADIN DISPLAY UNIT
PLGR	PRECISION LIGHTWEIGHT GPS RECEIVER
PRESS	PRESSURE
PSIAD	PALADIN SERIAL INTERFACE ADAPTER DEVICE
PWR	POWER
PXDCR	PRESSURE TRANSDUCER
RAM	RANDOM ACCESS MEMORY
REFIL	RETURN FILTER
RHDDC	REMOVABLE HARD DISK DRIVE CARTRIDGE
RR	RADIO RACK
SA	SITUATIONAL AWARENESS
SFIL	SUPPLY FILTER
SH	SHUNT
SINGARS	SINGLE CHANNEL GROUND & AIRBORNE RADIO SUBSYSTEM
SL	SOLENOID
SN	SENSOR
SR	SLIP RING
SV	SERVO
SW	SWITCH
SYS	SYSTEM
TEMP	TEMPERATURE
TOC	TACTICAL OPERATION CENTER
TRAV	TRAVERSE
TRAV GEAR	TRAVERSING GEAR
TRDM	TRAVERSE DRIVE MECHANISM
TRLSL	TRAVERSE LIMIT SOLENOID
TRLSW	TRAVERSE LIMIT SWITCH
TRLV	TRAVERSE LIMIT VALVE
TRSL	TRAVERSE SELECT SOLENOID
TRSV	TRAVERSE SERVO VALVE
TRV	TRAVERSE SELECT VALVE
TSN	TEMPERATURE SENSOR

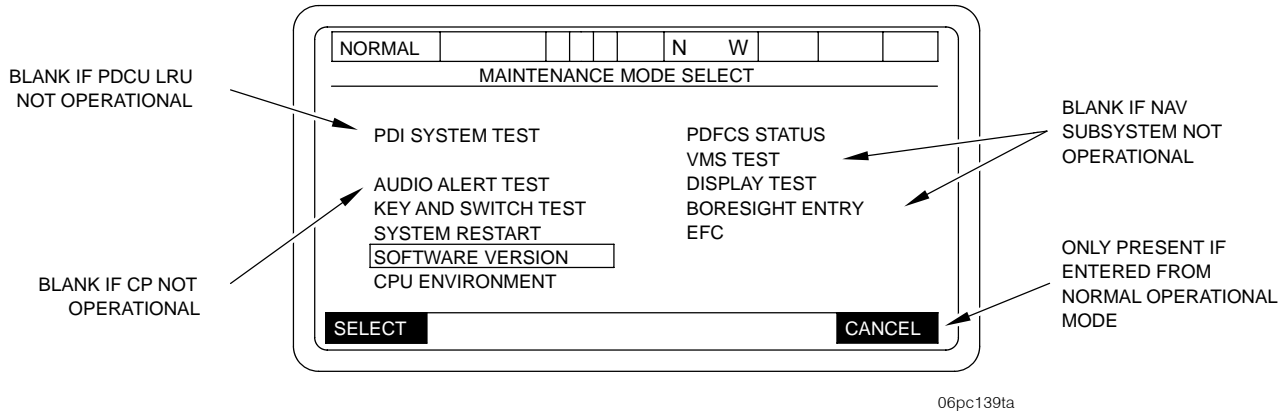
3-5A PDFCS AND PDI FAULT DETECTION - CONTINUED**3-5A.10 PDFCS and PDCU Abbreviations - Continued**

ABBREVIATION	NAME
TTCBL	TUBE TEMPERATURE SENSOR GFE CABLE
TTTSN	TUBE TEMPERATURE SENSOR
TXDCR	TEMPERATURE TRANSDUCER
VMS	VEHICLE MOTION SENSOR
VMSC	VEHICLE MOTION SENSOR MODEM-CAB
VMSH	VEHICLE MOTION SENSOR MODEM-HULL
VLF	VELOCITY FUSES
WC	WEAPONS CONTROLLER
WPN	WEAPON
WTSL	WARMUP TEMPERATURE SOLENOID
WTSW	WARMUP TEMPERATURE SWITCH
WTV	WARMUP TEMPERATURE VALVE

3-5A PDFCS AND PDI FAULT DETECTION - CONTINUED

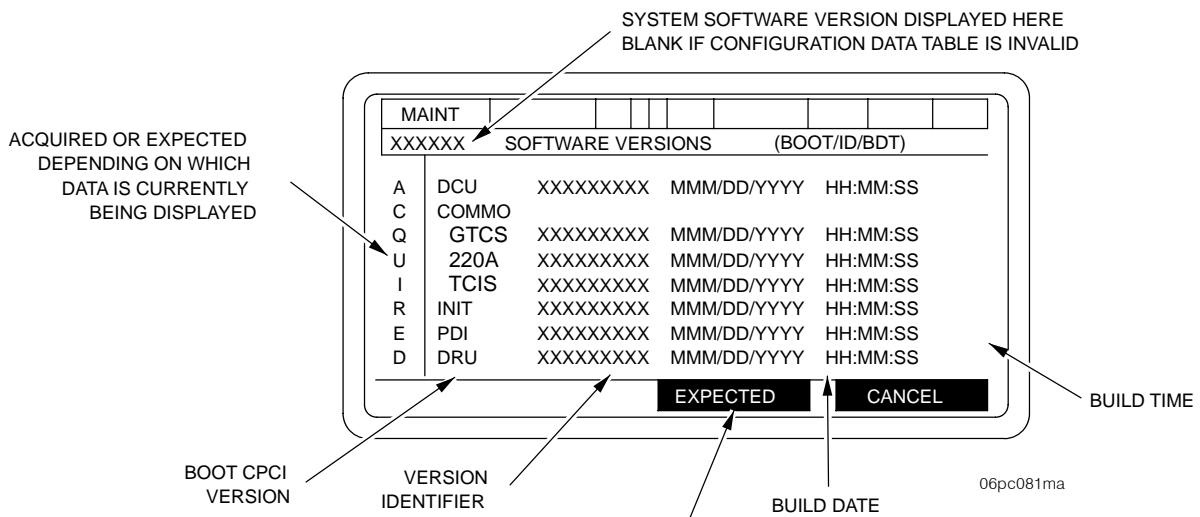
3-5A.11 Software Version/Configuration Display

To view detailed software configuration information for each Computer Program Configuration Item (CPCI) move cursor to "SOFTWARE VERSION" on the Maintenance Mode SELECT MENU.



06pc139ta

Press soft key label "SELECT" and the SOFTWARE VERSION/CONFIGURATION DISPLAY as shown below will appear.



06pc081ma

NOT PRESENT IF VERSION CONFIGURATION DEFINITION TABLE IS NOT VALID. EXPECTED OR ACQUIRED DEPENDING ON WHICH DATA IS CURRENTLY BEING DISPLAYED.

NOTE: A * IS PLACED TO THE LEFT OF ANY UNIT THAT HAS PROVIDED DATA THAT DOES NOT MATCH THE SOFTWARE CONFIGURATION TABLE ENTRY FOR THAT UNIT.

NOTE

- An asterisk (*) is placed to the left of any unit that has provided data that does not match the expected software configuration table entry for that unit.
- Information displayed from the DRUH can be interpreted as version configuration data.

3-5A PDFCS AND PDI FAULT DETECTION - CONTINUED

3-5A.11 Software Version/Configuration Display - Continued

NOTE

- When a CPCI other than the DCU is reported with an indirect configuration, then the system will run in a degraded mode and will declare the CPCI as unavailable.
- Initially, the ACQUIRED information of the display will give the boot loader, system software version and build data for each computer program configuration item that is acceptable to the system software configuration.
- If the CPCI is not acceptable, there will be an asterisk (*) to the left of the CPCI. If the asterisk is present, this will cause the system to operate in the DEGRADED mode unless the asterisk appears next to DCU, then the system will only operate in the Maintenance mode.
- To check which version of software is acceptable, press softkey under EXPECTED.
- If a CPCI is blank, the version of software loaded is acceptable with any system configuration.
- If uploading of software is required, notify Unit Maintenance.

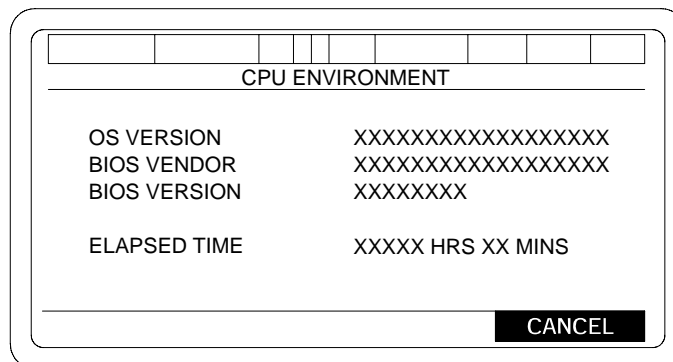
3-5A.12 PCU - 2 Environment Display.

This display allows the operator to view system-related parameters as follows:

Inputs:

1. Operating System Version (O/S)
2. BIOS Information (Vendor & Version)
3. Elapsed Time Meter (in hours)

The tactical software receives the data listed above from the PDCU and presents this information to the operator on the PDU. This information is used by maintenance personnel.



06pc428m

3-6 SYMPTOM INDEX.

NOTE

- Before you use this troubleshooting table, be sure you have performed all applicable operating checks in Chapter 2.
- For corrective actions of malfunctions not listed in this table, notify unit maintenance.
- Wherever the word lubricate appears, see Appendix I

The following symptom index is to assist you in locating the correct troubleshooting procedure quickly.

	Troubleshooting Procedure Page
AFCS	
AFCS-Software Lockup	3-43
Cab does not traverse freely under AFCS control	3-43
Cab creeps under AFCS control	3-44
Gun tube does not move to LOAD position when LOAD is selected under AFCS control	3-45
Gun tube does not move to STOW position when STOW is selected under AFCS control	3-46
Gun tube does not move to LAY position when LAY is selected under AFCS control	3-47
DU does not power up	3-48
Training mode cannot be selected	3-48
AFCS is not able to receive a mission	3-48
No audible alert for COS or crew (DU power is ON)	3-49
EL Panel messages are garbled/hard to read	3-49
DU soft keys/arrow keys/keypad switches, LOAD, LAY, or STOW keys do not respond properly	3-49
NAV subsystem fault (degraded mode) is indicated	3-49
DU subsystem fault (degraded mode) is indicated	3-50
WPN subsystem fault (degraded mode) is indicated	3-50
PDIU subsystem fault (degraded mode) is indicated	3-50
PCU subsystem fault (degraded mode) is indicated	3-50
MVS subsystem fault (degraded mode) is indicated	3-50.1
AFCS position drifts/DRUH "OP FAIL" is indicated	3-50.2

3-6 SYMPTOM INDEX - CONTINUED

	Troubleshooting Procedure Page
PDFCS	
PDFCS-Software Lockup	3-50.3
Cab does not traverse freely under PDFCS control	3-50.3
Cab creeps under PDFCS control	3-50.4
Gun tube does not move to LOAD position when LOAD is selected under PDFCS control	3-50.5
Gun tube does not move to STOW position when STOW is selected under PDFCS control	3-50.6
Gun tube does not move to LAY position when LAY is selected under PDFCS control	3-50.7
PDU does not power up	3-50.8
Training mode cannot be selected	3-50.8
PDFCS is not able to receive a mission	3-50.8
No audible alert for COS or crew (PDU power is ON)	3-50.9
PDU messages are garbled/hard to read	3-50.9
Keypad soft keys/arrow keys/keypad switches, LOAD, LAY, or STOW keys do not respond properly	3-50.9
NAV subsystem fault (degraded mode) is indicated	3-50.9
PDU subsystem fault (degraded mode) is indicated	3-50.10
WPN subsystem fault (degraded mode) is indicated	3-50.10
PDCU subsystem fault (degraded mode) is indicated	3-50.10
PCU-2 subsystem fault (degraded mode) is indicated	3-50.10
PMVS subsystem fault (degraded mode) is indicated	3-50.11
PDFCS position drifts/DRU "OP FAIL" is indicated. Subsystem (degraded mode) is indicated	3-50.11
MCS	
MCS will not operate	3-51
Insufficient air at low or high setting at one or more crew stations	3-51
MCS does not provide cool air at one or more crew stations	3-52
M3 heaters do not sufficiently heat air at mask or vest	3-52
RADIOS	3-52
COMMUNICATION, WIRE	3-52
DRIVER'S NIGHT VIEWER	3-52
ENGINE	
Engine fails to crank or cranks slowly when starter switch is activated	3-52
Engine cranks but fails to start	3-53
Engine has low power	3-53
Engine has low acceleration	3-53
Engine overheats	3-54
Low or no oil pressure	3-54

3-6 SYMPTOM INDEX - CONTINUED

Troubleshooting
Procedure
Page

TRANSMISSION

Transmission does not drive in any gear or range 3-54

STEERING

Vehicle difficult to steer 3-55

BATTERIES/ELECTRICAL SYSTEM

Starter will not crank engine 3-55

Batteries do not stay charged 3-55

Master switch lamp does not light 3-55

TRACKS AND SUSPENSION

Vehicle pulls to one side with steering wheel centered 3-56

Vehicle throws tracks 3-56

PERSONNEL HEATER

Heater smokes or bangs upon starting or doesn't
start 3-56

Heat output too low 3-56

Heat exchanger loads up with soot and carbon 3-56

PERSONNEL HEATER (GLOBAL A20)

NOTE

The operator can troubleshoot the codes listed below when displayed in the diagnostic display window. If any other codes are displayed, notify UNIT maintenance.

No personnel heater operation, no fault lamp operation, no diagnostic code display 3-56

C3, Vent fan fault 3-56

E1, Low voltage 3-56.1

E3, Low burner air flow 3-56.1

F1, Ignition overtime 3-56.1

F2, Burner flameout 3-56.1

F3, Heat limit 3-56.1

F4, Vent air overheat 3-56.1

F6, Inlet overheat, vehicle ambient temperature is above 131°F (56°C) 3-56.2

F7, Exhaust overheat 3-56.2

LEAD PARTICULATE FILTER AND VENTILATION SYSTEM

Air intake ventilation blower fails to operate 3-56

Insufficient air flow from lead filter element 3-56

Exhaust lamp fails to illuminate during exhaust ventilation blower operation 3-56

No air flow during exhaust ventilation blower operation 3-56

3-6 SYMPTOM INDEX - CONTINUED

	Troubleshooting Procedure Page
BILGE PUMP	
Bilge pump does not operate with bilge pump switch on	3-57
CAB TRAVERSING SYSTEM	
Cab does not traverse freely under handwheel operation	3-57
Cab creeps when vehicle is in a canted position	3-57
Cab does not traverse freely under hydraulic operation using COS and/or gunner's control handle	3-57
CANNON BREECH	
Primer fails to fire	3-58
Primer does not eject	3-58
Excessive blowback around breechblock	3-58
Breech mechanism does not operate freely	3-59
Gases accumulate in cab during firing	3-59
Bore evacuator or muzzle brake thrust collar becomes loose	3-59
MOUNT AND RECOIL MECHANISM	
Howitzer has jerky or uneven recoil	3-60
Howitzer returns to battery with excessive force	3-60
Insufficient recoil travel	3-60
TRAVEL LOCK	
Travel lock will not operate	3-60
LOADER RAMMER	
Loader rammer fails to operate	3-60
CANNON ELEVATION SYSTEM	
Cannon will not elevate	3-61
MOUNTED WATER RATION HEATER	
Refer to TM 10-7310-241-12&P	
PLGR or DAGR	
GPS will not power-up	3-61
M93 MVS (AFCS)	
During AFCS Initialization: MVS will not power-up	3-61
During "Fire Mission" processing: No muzzle velocity variance acquired	3-61
MVS decrement rounds prematurely when breech is closed	3-62
PMVS (PDFCS)	
During PDFCS Initialization: PMVS will not power-up	3-62
During "Fire Mission" processing: No muzzle velocity variance acquired	3-62
PMVS decrement rounds prematurely when breech is closed	3-62

Table 3-1. TROUBLESHOOTING

MALFUNCTION	TEST OR INSPECTION	CORRECTIVE ACTION
-------------	--------------------	-------------------

AFCS

WARNING

Before troubleshooting AFCS gun positioning faults, make sure immediate area around and in the howitzer is clear of nonessential personnel and that no other equipment is within the 360 degree radius of the cab. Before moving gun servo switch to the ON position, announce loudly to everyone in immediate area, "AFCS POWER ON." Serious injury or death, and/or equipment damage could result.

1. AFCS - SOFTWARE LOCKUP
 - Step 1. Place DU POWER switch OFF and wait at least 5 seconds.
 - Step 2. Place DU POWER switch ON and restart system. If lockup persists, notify unit maintenance.
2. CAB DOES NOT TRAVERSE FREELY UNDER AFCS CONTROL.

NOTE

Verify following: main drive gears and gun tube are unobstructed and main hydraulic pressure is at 1925 psi \pm 50 psi.

- Step 1. Verify that GUN SERVO light illuminates when LAY button is pressed.
 - a. If not ON, place gun switch ON.
 - b. If switch is ON, go to step 2.
- Step 2. Check to see if you are in NORMAL OPERATIONS mode.
 - a. Verify that TRAVERSE mode switch is in the POWER position. Check EL Panel for mode display. Status line will indicate mode.

If not, enter proper mode.
 - b. If in NORMAL OPERATIONS mode, check EL Panel fields.
 - (1) Verify that LOAD, LAY, or STOW fields are displayed on EL Panel of DU when GUN SERVO SWITCH is on.
 - (2) LOAD, LAY, or STOW fields (graphics) are highlighted when displayed.

Gun is already in proper position.
 - (3) LOAD, LAY, or STOW fields (graphics) are displayed in normal form.

Reselect proper functional key. If cab does not traverse freely, notify unit maintenance. Complete mission in DEGRADED mode.
 - (4) LOAD, LAY, or STOW fields are not displayed.

If fields are not displayed, go to step 3.

Table 3-1. TROUBLESHOOTING - Continued

MALFUNCTION	TEST OR INSPECTION	CORRECTIVE ACTION
AFCS - Continued		
Step 3.	Check DU for fault indication.	<ul style="list-style-type: none"> a. GUN SERVO indicator not lit during LOAD/LAY/STOW operation. Run PDIU system test (para 3-5.3) and notify unit maintenance. Complete mission in DEGRADED mode. b. FAULT indicator lit. Check status line for faulty hardware, run PDIU system test (para 3-5.3) and notify unit maintenance. Complete mission in DEGRADED mode.
3. CAB CREEPS UNDER AFCS CONTROL.	Step 1. Verify that GUN SERVO ON/OFF switch is ON.	<ul style="list-style-type: none"> a. If not ON, place switch ON. b. If switch is ON, go to step 2.
	Step 2. Check to see if you are in NORMAL OPERATIONS mode.	<ul style="list-style-type: none"> a. Check EL Panel for mode display. If not in proper mode, enter proper mode. b. If in NORMAL OPERATIONS mode, check EL Panel fields. <ul style="list-style-type: none"> (1) Verify that LOAD, LAY, or STOW fields are displayed on EL Panel of DU. (2) LOAD, LAY, or STOW fields are highlighted, when displayed. Gun is already in proper position, cab should not creep. If cab still creeps, notify unit maintenance. Complete mission in DEGRADED mode. (3) LOAD, LAY, or STOW fields are displayed properly. Reselect proper functional key. If cab still creeps, notify unit maintenance. (4) LOAD, LAY, or STOW fields are not displayed. If fields are not displayed, go to step 3.
	Step 3. Check DU for fault indication.	<ul style="list-style-type: none"> a. GUN SERVO indicator not lit during LOAD/LAY/STOW operation. Run PDIU system test (para 3-5.3) and notify unit maintenance. Complete mission in DEGRADED mode. b. FAULT indicator lit. Check status line on EL Panel for faulty hardware, run PDIU system test (para 3-5.3), and notify unit maintenance. Complete mission in DEGRADED mode.

Table 3-1. TROUBLESHOOTING - Continued

MALFUNCTION	TEST OR INSPECTION	CORRECTIVE ACTION
AFCS - Continued		
4.	GUN TUBE DOES NOT MOVE TO LOAD POSITION WHEN LOAD IS SELECTED UNDER AFCS CONTROL.	<p data-bbox="237 527 935 558">Step 1. Verify that GUN SERVO ON/OFF switch is ON.</p> <ol data-bbox="380 575 760 648" style="list-style-type: none"> <li data-bbox="380 575 748 606">a. If not ON, place switch ON. <li data-bbox="380 623 760 655">b. If switch is ON, go to step 2. <p data-bbox="237 667 1062 699">Step 2. Check to see if you are in NORMAL OPERATIONS mode.</p> <ol data-bbox="380 716 1477 1224" style="list-style-type: none"> <li data-bbox="380 716 1477 821">a. Verify that TRAVERSE mode switch is in the POWER position. Check EL Panel for mode display. If not in proper mode, enter proper mode. <li data-bbox="380 840 1344 1224">b. If in NORMAL OPERATIONS mode, check EL Panel fields. <ol data-bbox="428 886 1344 1224" style="list-style-type: none"> <li data-bbox="428 886 1344 917">(1) Verify that LOAD, LAY or STOW fields are displayed on EL Panel of DU. <li data-bbox="428 934 1208 1008">(2) LOAD, LAY, or STOW fields are highlighted, when displayed. Gun is already in proper position. <li data-bbox="428 1024 1435 1134">(3) LOAD, LAY, or STOW fields are displayed properly. Reselect proper functional key. If gun tube still does not move to LOAD position, notify unit maintenance. Complete mission in DEGRADED mode. <li data-bbox="428 1150 1037 1224">(4) LOAD, LAY, or STOW fields are not displayed. If fields are not displayed, go to step 3. <p data-bbox="237 1241 724 1272">Step 3. Check DU for fault indication.</p> <ol data-bbox="380 1289 1435 1520" style="list-style-type: none"> <li data-bbox="380 1289 1435 1394">a. GUN SERVO indicator not lit during LOAD/LAY/STOW operation. Run PDIU system test (para 3-5.3) and notify unit maintenance. Complete mission in DEGRADED mode. <li data-bbox="380 1411 1435 1520">b. FAULT indicator lit. Check status line on EL Panel for faulty hardware, run PDIU system test (para 3-5.3), and notify unit maintenance. Complete mission in DEGRADED mode.

Table 3-1. TROUBLESHOOTING - Continued

MALFUNCTION	TEST OR INSPECTION	CORRECTIVE ACTION
AFCS - Continued		
5. GUN TUBE DOES NOT MOVE TO STOW POSITION WHEN STOW IS SELECTED UNDER AFCS CONTROL.	Step 1. Verify that GUN SERVO ON/OFF switch is ON.	<ul style="list-style-type: none"> a. If not ON, place switch ON. b. If switch is ON, go to step 2.
	Step 2. Check to see if you are in NORMAL OPERATIONS mode.	<ul style="list-style-type: none"> a. Verify that TRAVERSE mode switch is in the POWER position. Check EL Panel for mode display. If not in proper mode, enter proper mode. b. If in NORMAL OPERATIONS mode, check EL Panel fields. <ul style="list-style-type: none"> (1) Verify that LOAD, LAY, or STOW fields are displayed on EL Panel of DU. (2) LOAD, LAY, or STOW fields are highlighted when displayed. Gun tube is already in proper position. (3) LOAD, LAY, or STOW fields are displayed properly. Reselect proper functional key. If gun tube does not traverse/elevate freely, notify unit maintenance. Complete mission in DEGRADED mode. (4) LOAD, LAY, or STOW fields are not displayed. If fields are not displayed, go to step 3.
	Step 3. Check DU for fault indication.	<ul style="list-style-type: none"> a. GUN TUBE SERVO indicator not lit during LOAD/LAY/STOW operation. Run PDIU system test (para 3-5.3) and notify unit maintenance. Complete mission in DEGRADED mode. b. FAULT indicator lit. Check status line on EL Panel for faulty hardware, run PDIU system test (para 3-5.3), and notify unit maintenance. Complete mission in DEGRADED mode.

Table 3-1. TROUBLESHOOTING - Continued

MALFUNCTION	TEST OR INSPECTION	CORRECTIVE ACTION
AFCS - Continued		
6. GUN TUBE DOES NOT MOVE TO LAY POSITION WHEN LAY IS SELECTED UNDER AFCS CONTROL.	Step 1. Verify that GUN SERVO ON/OFF switch is ON.	<ul style="list-style-type: none"> a. If not ON, place switch ON. b. If switch is ON, verify TRAVERSE LOCK is in UNLOCKED position. Go to step 2.
	Step 2. Check to see if you are in NORMAL OPERATIONS mode.	<ul style="list-style-type: none"> a. Verify that TRAVERSE mode switch is in the POWER position. Check EL Panel for mode display. If not in proper mode, enter proper mode. b. If in NORMAL OPERATIONS mode, check EL Panel fields. <ul style="list-style-type: none"> (1) Verify that LOAD, LAY, or STOW fields are displayed on EL Panel of DU. (2) LOAD, LAY, or STOW fields are highlighted, when displayed. Gun tube is already in proper position. (3) LOAD, LAY, or STOW fields are displayed properly. Reselect proper functional key. If gun tube still does not move to LAY position, notify unit maintenance. Complete mission in DEGRADED mode. (4) LOAD, LAY, or STOW fields are not displayed. If fields are not displayed, go to step 3.
	Step 3. Check DU for fault indication.	<ul style="list-style-type: none"> a. GUN TUBE SERVO indicator not lit during LOAD/LAY/STOW operation. Run PDIU system test (para 3-5.3) and notify unit maintenance. Complete mission in DEGRADED mode. b. FAULT indicator lit. Check status line on EL Panel for faulty hardware and notify unit maintenance. Complete mission in DEGRADED mode.

Table 3-1. TROUBLESHOOTING - Continued

MALFUNCTION**TEST OR INSPECTION****CORRECTIVE ACTION****AFCS - Continued**

7. DU DOES NOT POWER UP.

Step 1. Verify that MASTER and HYDRAULIC POWER switches are ON.

- a. If not ON, place switch(es) ON.
- b. If switch(es) are ON, go to step 2.

Step 2. Verify that PCU circuit breakers are ON.

- a. If not ON, place appropriate circuit breaker(s) ON.
- b. If all circuit breakers are ON, notify unit maintenance.

8. TRAINING MODE CANNOT BE SELECTED.

Step 1. Verify that you are in the proper mode for TRAINING selection.

- a. If not, enter TRAINING mode.
- b. If in TRAINING mode, place the TRAINING ON/OFF switch in ON position.

Step 2. TRAINING mode still cannot be entered.

Notify unit maintenance.

9. AFCS IS NOT ABLE TO RECEIVE A MISSION.

Step 1. Verify that during POWER UP STATUS, AFCS is okay.

- a. AFCS subsystems do not check out as OK. If 1553 bus is not OK, notify unit maintenance. If the 1553 bus is degraded, go to step 2.
- b. AFCS subsystems check out OK. Go to step 2.

Step 2. Verify that you are in proper mode (NORMAL OPERATIONS).

- a. If not in proper mode, enter NORMAL OPERATIONS mode and go through NET ACCESS and NET ADDRESS displays until you get to SETUP AND INFORMATION display. Now go to step 3.
- b. If already in proper mode, go to step 3.

Step 3. Verify that data entry has been provided and is correct for all items marked with an * on SETUP AND INFORMATION display.

- a. If data has not been entered, enter data now to initialize system. Now system is able to receive a mission.
- b. If data has been entered for the * items and you still are unable to receive a mission, notify unit maintenance.

Table 3-1. TROUBLESHOOTING - Continued

MALFUNCTION**TEST OR INSPECTION****CORRECTIVE ACTION****AFCS - Continued**

10. NO AUDIBLE ALERT FOR COS OR CREW (DU POWER IS ON).
- Step 1. Verify that wire/cable connections are tight.
If wire/cable connections are tight, go to step 2.
- Step 2. Go to para 3-5.6 and perform Audio Alert Test.
- If intercom is not adjusted properly, adjust it now.
 - Rerun Audio Alert Test and go to step 3.
- Step 3. If there is still no audible signal, notify unit maintenance that intercom/AFCS is faulty.
11. EL PANEL MESSAGES ARE GARBLED/HARD TO READ.
- Step 1. Verify that wire/cable connections are tight.
If wire/cable connections are tight, go to step 2.
- Step 2. Go to para 3-5.7 and perform Display Test.
- If test indicates that some of the pixels on EL Panel are burned out, notify unit maintenance that DU (EL Panel) is faulty.
 - If test does not indicate a problem with pixels, have unit maintenance check AFCS.
12. DU SOFT KEYS/ARROW KEYS/KEYPAD SWITCHES, LOAD, LAY, OR STOW KEYS DO NOT RESPOND PROPERLY.
- Step 1. Verify that cable/harness connections are tight.
If wire/cable connections are tight, go to step 2.
- Step 2. Go to para 3-5.8 and perform Key and Switch Test.
- If test indicates a fault, notify unit maintenance that DU is faulty.
 - If no fault is indicated, notify unit maintenance to check AFCS.
13. NAV SUBSYSTEM FAULT (DEGRADED MODE) IS INDICATED.
- Step 1. Verify that wire/cable connections are tight.
If wire/cable connections are tight, go to step 2.
- Step 2. Traverse cab left and right 90 degrees from travel lock position and verify fault has been eliminated. If not, clean slip ring segment boards (para 3-8.17) and try the VMS test again before notifying unit maintenance.
- Step 3. Go to para 3-5.2 and perform BIT Status Test.
- Determine which subsystem is degraded. If VMS fault is indicated, go to para 3-5.5 and perform VMS test. Notify unit maintenance of particular fault.
 - Check PDIU reconfiguration advice (Appendix G). Determine if DEGRADED mode is acceptable. (Certain degraded subsystems will not interfere with AFCS operation or mission capability, i.e., VMS is out.) If acceptable, continue mission.

Table 3-1. TROUBLESHOOTING - Continued

MALFUNCTION**TEST OR INSPECTION****CORRECTIVE ACTION****AFCS - Continued**

14. DU SUBSYSTEM FAULT (DEGRADED MODE) IS INDICATED.

Step 1. Verify that wire/cable connections are tight.

If wire/cable connections are tight, go to step 2.

Step 2. Go to para 3-5.2 and perform BIT Status Test.

a. Determine which subsystem is degraded. Notify unit maintenance of particular fault.

b. Determine if DEGRADED mode is acceptable. (Certain degraded subsystems will not interfere with AFCS operation or mission capability; i.e., Embedded Trainer is out.) If acceptable, continue mission.

15. WPN SUBSYSTEM FAULT (DEGRADED MODE) IS INDICATED.

Step 1. Verify that wire/cable connections are tight.

If wire/cable connections are tight, go to step 2.

Step 2. Go to para 3-5.2 and perform BIT Status Test.

a. Determine which subsystem is degraded. Notify unit maintenance of particular fault.

b. Check PDIU reconfiguration advice (Appendix G). Determine if DEGRADED mode is acceptable. (Certain degraded subsystems will not interfere with AFCS operation or mission capability; i.e., Tube Temp is out.) If acceptable, continue mission.

16. PDIU SUBSYSTEM FAULT (DEGRADED MODE) IS INDICATED.

Step 1. Verify that wire/cable connections are tight.

If wire/cable connections are tight, go to step 2.

Step 2. Go to para 3-5.2 and perform BIT Status Test.

a. Determine which subsystem is degraded. Notify unit maintenance of particular fault.

b. Determine if DEGRADED mode is acceptable. (Certain degraded subsystems will not interfere with AFCS operation or mission; i.e., PDIU is out.) If acceptable, continue mission.

17. PCU SUBSYSTEM FAULT (DEGRADED MODE) IS INDICATED.

Step 1. Verify that wire/cable connections are tight.

If wire/cable connections are tight, go to step 2.

Step 2. Go to para 3-5.2 and perform BIT Status Test.

a. Determine which subsystem is degraded. Notify unit maintenance of particular fault.

b. Determine if DEGRADED mode is acceptable. (Certain degraded subsystems will not interfere with AFCS operation or mission capability; i.e., PCU BIT failed.) If acceptable, continue mission.

Table 3-1. TROUBLESHOOTING - Continued

MALFUNCTION	TEST OR INSPECTION	CORRECTIVE ACTION
AFCS - Continued		
18. MVS SUBSYSTEM (DEGRADED MODE) IS INDICATED.		
		NOTE
		Make sure the 1553 termination connector is installed (para 2-22.3) if M93 radar antenna transceiver is not mounted.
Step 1.	Verify that cable/harness connections are tight. If wire/cable connections are tight, go to step 2.	
Step 2.	Go to para 3-5.2 and perform BIT status test.	
		<ul style="list-style-type: none">a. Determine which subsystem is degraded. Notify unit maintenance of particular fault.b. Determine if DEGRADED mode is acceptable. (Certain degraded subsystems will not interfere with AFCS operation or mission capability; i.e. PCU bit failed.) If acceptable, continue mission.

Table 3-1. TROUBLESHOOTING - Continued

MALFUNCTION
TEST OR INSPECTION
CORRECTIVE ACTION

AFCS - Continued

18.1. AFCS POSITION DRIFTS/DRUH "OP FAIL" IS INDICATED.

NOTE

- Infrequently, the AFCS position has been observed to drift while the howitzer is stationary, or the "NAV OUT - DRU OP FAIL" alert message is displayed, for no apparent reason. These problems have been traced to errors in communications between the AFCS and DRUH. With the GPS receiver (PLGR) installed and the AFCS operated in a GPS aided mode, the problem will be bound to an acceptable level. If the PLGR is off or not receiving acceptable signals from four satellites, the drift may occur to an unacceptable level.
- Unless there is an operational constraint on using GPS, it is recommended that the PLGR be installed and the AFCS be operated in the GPS aided mode.

Follow the steps below if position is drifting when the howitzer is stationary and any of the following symptoms are observed: (Note that these conditions are normal when the howitzer is travelling.)

- a. "ZPT" is displayed in field 6 in the top line of the display. (Note that it takes about 30 seconds after the vehicle stops for a normal "ZPT" indication to clear.)
- b. AFCS position changes more than 10 meters.
- c. The "ZUPT REQUIRED" alert message is displayed.
- d. The "NAV POS UPDATE REQUESTED" alert message is displayed.
- e. The "PRESS ACK WHEN TUBE STOWED" alert message is displayed when the howitzer hasn't traveled.
- f. The "POS UPDATE INTERRUPTED" alert message is displayed after a NAV UPDATE is attempted.
- g. The "POS UPDATE RJTD HOWITZER MOVG" alert message is displayed after a NAV UPDATE is attempted.

(Note that the "POSITION UPDATE REQUIRED" alert message can be triggered by several conditions. Unless accompanied by one of the above indications, it is not a symptom of position drift.)

If any of the position drift symptoms is observed or the "NAV OUT - DRU OP FAIL" alert message is displayed, perform the following procedure:

- Step 1. Power down the AFCS.
- Step 2. Power the AFCS back up.
- Step 3. Reinitialize the AFCS

NOTE

Do not replace the DRUH or the ACU for position drift or DRU OP FAIL problems. If cycling power, as discussed above, doesn't relieve the symptoms, notify unit maintenance.

Table 3-1. TROUBLESHOOTING

MALFUNCTION	TEST OR INSPECTION	CORRECTIVE ACTION
PDFCS		
WARNING		
<p>Before troubleshooting PDFCS gun positioning faults, make sure immediate area around and in the howitzer is clear of nonessential personnel and that no other equipment is within the 360 degree radius of the cab. Before moving gun servo switch to the ON position, announce loudly to everyone in immediate area, "PDFCS POWER ON." Serious injury or death, and/or equipment damage could result.</p>		
18.2	PDFCS - SOFTWARE LOCKUP	<p>Step 1. Place PDU POWER switch OFF and wait at least 5 seconds.</p> <p>Step 2. Place PDU POWER switch ON and restart system. If lockup persists, notify unit maintenance.</p>
18.3	CAB DOES NOT TRAVERSE FREELY UNDER PDFCS CONTROL.	NOTE
<p>Verify following: main drive gears and gun tube are unobstructed and main hydraulic pressure is at 1925 psi \pm 50 psi.</p>		
Step 1.	Verify that GUN SERVO light illuminates when LAY button is pressed.	<p>a. If not ON, place gun switch ON.</p> <p>b. If switch is ON, go to step 2.</p>
Step 2.	Check to see if you are in NORMAL OPERATIONS mode.	<p>a. Verify that TRAVERSE mode switch is in the POWER position. Check PDU for mode display. Status line will indicate mode. If not, enter proper mode.</p> <p>b. If in NORMAL OPERATIONS mode, check display fields.</p> <p>(1) Verify that LOAD, LAY, or STOW fields are displayed on PDU when GUN SERVO SWITCH is on.</p> <p>(2) LOAD, LAY, or STOW fields (graphics) are highlighted when displayed. Gun is already in proper position.</p> <p>(3) LOAD, LAY, or STOW fields (graphics) are displayed in normal form. Reselect proper functional key. If cab does not traverse freely, notify unit maintenance. Complete mission in DEGRADED mode.</p> <p>(4) LOAD, LAY, or STOW fields are not displayed If fields are not displayed, go to step 3.</p>

Table 3-1. TROUBLESHOOTING - Continued

MALFUNCTION	
TEST OR INSPECTION	CORRECTIVE ACTION
PDFCS - Continued	
Step 3.	<p>Check PDU for fault indication.</p> <p>a. GUN SERVO indicator not lit during LOAD/LAY/STOW operation. Run PDCU system test (para 3-5A.3) and notify unit maintenance. Complete mission in DEGRADED mode.</p> <p>b. FAULT indicator lit. Check status line for faulty hardware, run PDCU system test (para 3-5A.3) and notify unit maintenance. Complete mission in DEGRADED mode.</p>
18.4	CAB CREEPS UNDER PDFCS CONTROL.
Step 1.	<p>Verify that GUN SERVO ON/OFF switch is ON.</p> <p>a. If not ON, place switch ON.</p> <p>b. If switch is ON, go to step 2.</p>
Step 2.	<p>Check to see if you are in NORMAL OPERATIONS mode.</p> <p>a. Check PDU for mode display. If not in proper mode, enter proper mode.</p> <p>b. If in NORMAL OPERATIONS mode, check display fields.</p> <p>(1) Verify that LOAD, LAY, or STOW fields are displayed on PDU.</p> <p>(2) LOAD, LAY, or STOW fields are highlighted, when displayed. Gun is already in proper position, cab should not creep. If cab still creeps, notify unit maintenance. Complete mission in DEGRADED mode.</p> <p>(3) LOAD, LAY, or STOW fields are displayed properly. Reselect proper functional key. If cab still creeps, notify unit maintenance.</p> <p>(4) LOAD, LAY, or STOW fields are not displayed. If fields are not displayed, go to step 3.</p>
Step 3.	<p>Check PDU for fault indication.</p> <p>a. GUN SERVO indicator not lit during LOAD/LAY/STOW operation. Run PDCU system test (para 3-5A.3) and notify unit maintenance. Complete mission in DEGRADED mode.</p> <p>b. FAULT indicator lit. Check status line on PDU for faulty hardware, run PDCU system test (para 3-5A.3), and notify unit maintenance. Complete mission in DEGRADED mode.</p>

Table 3-1. TROUBLESHOOTING - Continued

MALFUNCTION	TEST OR INSPECTION	CORRECTIVE ACTION
PDFCS - Continued		
18.5	GUN TUBE DOES NOT MOVE TO LOAD POSITION WHEN LOAD IS SELECTED UNDER PDFCS CONTROL.	<p>Step 1. Verify that GUN SERVO ON/OFF switch is ON.</p> <ol style="list-style-type: none"> a. If not ON, place switch ON. b. If switch is ON, go to step 2. <p>Step 2. Check to see if you are in NORMAL OPERATIONS mode.</p> <ol style="list-style-type: none"> a. Verify that TRAVERSE mode switch is in the POWER position. Check PDU for mode display. If not in proper mode, enter proper mode. b. If in NORMAL OPERATIONS mode, check display fields. <ol style="list-style-type: none"> (1) Verify that LOAD, LAY or STOW fields are displayed on PDU. (2) LOAD, LAY, or STOW fields are highlighted, when displayed. Gun is already in proper position. (3) LOAD, LAY, or STOW fields are displayed properly. Reselect proper functional key. If gun tube still does not move to LOAD position, notify unit maintenance. Complete mission in DEGRADED mode. (4) LOAD, LAY, or STOW fields are not displayed. If fields are not displayed, go to step 3. <p>Step 3. Check PDU for fault indication.</p> <ol style="list-style-type: none"> a. GUN SERVO indicator not lit during LOAD/LAY/STOW operation. Run PDCU system test (para 3-5A.3) and notify unit maintenance. Complete mission in DEGRADED mode. b. FAULT indicator lit. Check status line on PDU for faulty hardware, run PDCU system test (para 3-5A.3), and notify unit maintenance. Complete mission in DEGRADED mode.

Table 3-1. TROUBLESHOOTING - Continued

MALFUNCTION	TEST OR INSPECTION	CORRECTIVE ACTION
PDFCS - Continued		
18.6	GUN TUBE DOES NOT MOVE TO STOW POSITION WHEN STOW IS SELECTED UNDER PDFCS CONTROL.	<p>Step 1. Verify that GUN SERVO ON/OFF switch is ON.</p> <ol style="list-style-type: none"> a. If not ON, place switch ON. b. If switch is ON, go to step 2. <p>Step 2. Check to see if you are in NORMAL OPERATIONS mode.</p> <ol style="list-style-type: none"> a. Verify that TRAVERSE mode switch is in the POWER position. Check PDU for mode display. If not in proper mode, enter proper mode. b. If in NORMAL OPERATIONS mode, check display fields. <ol style="list-style-type: none"> (1) Verify that LOAD, LAY, or STOW fields are displayed on PDU. (2) LOAD, LAY, or STOW fields are highlighted when displayed. Gun tube is already in proper position. (3) LOAD, LAY, or STOW fields are displayed properly. Reselect proper functional key. If gun tube does not traverse/elevate freely, notify unit maintenance. Complete mission in DEGRADED mode. (4) LOAD, LAY, or STOW fields are not displayed. If fields are not displayed, go to step 3. <p>Step 3. Check PDU for fault indication.</p> <ol style="list-style-type: none"> a. GUN TUBE SERVO indicator not lit during LOAD/LAY/STOW operation. Run PDCU system test (para 3-5A.3) and notify unit maintenance. Complete mission in DEGRADED mode. b. FAULT indicator lit. Check status line on PDU for faulty hardware, run PDCU system test (para 3-5A.3), and notify unit maintenance. Complete mission in DEGRADED mode.

Table 3-1. TROUBLESHOOTING - Continued

MALFUNCTION	TEST OR INSPECTION	CORRECTIVE ACTION
PDFCS - Continued		
18.7	GUN TUBE DOES NOT MOVE TO LAY POSITION WHEN LAY IS SELECTED UNDER PDFCS CONTROL.	<p>Step 1. Verify that GUN SERVO ON/OFF switch is ON.</p> <ol style="list-style-type: none"> a. If not ON, place switch ON. b. If switch is ON, verify TRAVERSE LOCK is in UNLOCKED position. Go to step 2. <p>Step 2. Check to see if you are in NORMAL OPERATIONS mode.</p> <ol style="list-style-type: none"> a. Verify that TRAVERSE mode switch is in the POWER position. Check PDU for mode display. If not in proper mode, enter proper mode. b. If in NORMAL OPERATIONS mode, check display fields. <ol style="list-style-type: none"> (1) Verify that LOAD, LAY, or STOW fields are displayed on PDU. (2) LOAD, LAY, or STOW fields are highlighted, when displayed. Gun tube is already in proper position. (3) LOAD, LAY, or STOW fields are displayed properly. Reselect proper functional key. If gun tube still does not move to LAY position, notify unit maintenance. Complete mission in DEGRADED mode. (4) LOAD, LAY, or STOW fields are not displayed. If fields are not displayed, go to step 3. <p>Step 3. Check PDU for fault indication.</p> <ol style="list-style-type: none"> a. GUN TUBE SERVO indicator not lit during LOAD/LAY/STOW operation. Run PDCU system test (para 3-5A.3) and notify unit maintenance. Complete mission in DEGRADED mode. b. FAULT indicator lit. Check status line on PDU for faulty hardware and notify unit maintenance. Complete mission in DEGRADED mode.

Table 3-1. TROUBLESHOOTING - Continued

MALFUNCTION	
TEST OR INSPECTION	CORRECTIVE ACTION
PDFCS - Continued	
18.8	PDU DOES NOT POWER UP.
	Step 1. Verify that MASTER and HYDRAULIC POWER switches are ON. <ul style="list-style-type: none"> a. If not ON, place switch(es) ON. b. If switch(es) are ON, go to step 2.
	Step 2. Verify that PCU-2 circuit breakers are ON. <ul style="list-style-type: none"> a. If not ON, place appropriate circuit breaker(s) ON. b. If all circuit breakers are ON, notify unit maintenance.
18.9	TRAINING MODE CANNOT BE SELECTED.
	Step 1. Verify that you are in the proper mode for TRAINING selection. <ul style="list-style-type: none"> a. If not, enter TRAINING mode. b. If in TRAINING mode, place the TRAINING ON/OFF switch in ON position.
	Step 2. TRAINING mode still cannot be entered. Notify unit maintenance.
18.10	PDFCS IS NOT ABLE TO RECEIVE A MISSION.
	Step 1. Verify that during POWER UP STATUS, PDFCS is okay. <ul style="list-style-type: none"> a. PDFCS subsystems do not check out as OK. If not OK, notify unit maintenance. If degraded, go to step 2. b. PDFCS subsystems check out OK. Go to step 2.
	Step 2. Verify that you are in proper mode (NORMAL OPERATIONS). <ul style="list-style-type: none"> a. If not in proper mode, enter NORMAL OPERATIONS mode and go through NET ACCESS and NET ADDRESS displays until you get to SETUP AND INFORMATION display. Now go to step 3. b. If already in proper mode, go to step 3.
	Step 3. Verify that data entry has been provided and is correct for all items marked with an * on SETUP AND INFORMATION display. <ul style="list-style-type: none"> a. If data has not been entered, enter data now to initialize system. Now system is able to receive a mission. b. If data has been entered for the * items and you still are unable to receive a mission, notify unit maintenance.

Table 3-1. TROUBLESHOOTING - Continued

MALFUNCTION	
TEST OR INSPECTION	CORRECTIVE ACTION
PDFCS - Continued	
18.11	NO AUDIBLE ALERT FOR COS OR CREW (PDU POWER IS ON).
	Step 1. Verify that wire/cable connections are tight. If wire/cable connections are tight, go to step 2.
	Step 2. Go to para 3-5A.6 and perform Audio Alert Test. a. If intercom is not adjusted properly, adjust it now. b. Rerun Audio Alert Test and go to step 3.
	Step 3. If there is still no audible signal, notify unit maintenance that intercom/PDFCS is faulty.
18.12	PDU MESSAGES ARE GARBLED/YHARD TO READ.
	Step 1. Verify that wire/cable connections are tight. If wire/cable connections are tight, go to step 2.
	Step 2. Go to para 3-5A.7 and perform Display Test. a. If test indicates that some of the pixels on PDU are burned out, notify unit maintenance that PDU is faulty. b. If test does not indicate a problem with pixels, have unit maintenance check PDFCS.
18.13	KEYPAD SOFT KEYS/ARROW KEY/KEYPAD SWITCHES, LOAD, LAY, OR STOW KEYS DO NOT RESPOND PROPERLY.
	Step 1. Verify PDFCS window is active by touching or left clicking on the window area or the "PDFCS" button on the task bar. If this doesn't correct the problem, proceed to step 2.
	Step 2. Verify that cable/harness connections are tight. If wire/cable connections are tight, go to step 3.
	Step 3. Go to para 3-5A.8 and perform Key and Switch Test. a. If test indicates a fault, notify unit maintenance that PDU is faulty. b. If no fault is indicated, notify unit maintenance to check PDFCS.
18.14	NAV SUBSYSTEM FAULT (DEGRADED MODE) IS INDICATED.
	Step 1. Verify that wire/cable connections are tight. If wire/cable connections are tight, go to step 2.
	Step 2. Traverse cab left and right 90 degrees from travel lock position and verify fault has been eliminated. If not, clean slip ring segment boards (para 3-8.17) and try the VMS test again before notifying unit maintenance.
	Step 3. Go to para 3-5A.2 and perform BIT Status Test. a. Determine which subsystem is degraded. If VMS fault is indicated, go to para 3-5A.5 and perform VMS test. Notify unit maintenance of particular fault. b. Check PDCU reconfiguration advice (Appendix G). Determine if DEGRADED mode is acceptable. (Certain degraded subsystems will not interfere with PDFCS operation or mission capability, i.e., VMS is out.) If acceptable, continue mission.

Table 3-1. TROUBLESHOOTING - Continued

MALFUNCTION	TEST OR INSPECTION	CORRECTIVE ACTION
PDFCS - Continued		
18.15	PDU SUBSYSTEM FAULT (DEGRADED MODE) IS INDICATED.	<p>Step 1. Verify that wire/cable connections are tight. If wire/cable connections are tight, go to step 2.</p> <p>Step 2. Go to para 3-5A.2 and perform BIT Status Test.</p> <ul style="list-style-type: none"> a. Determine which subsystem is degraded. Notify unit maintenance of particular fault. b. Determine if DEGRADED mode is acceptable. (Certain degraded subsystems will not interfere with PDFCS operation or mission capability; i.e., Embedded Trainer is out.) If acceptable, continue mission.
18.16	WPN SUBSYSTEM FAULT (DEGRADED MODE) IS INDICATED.	<p>Step 1. Verify that wire/cable connections are tight. If wire/cable connections are tight, go to step 2.</p> <p>Step 2. Go to para 3-5A.2 and perform BIT Status Test.</p> <ul style="list-style-type: none"> a. Determine which subsystem is degraded. Notify unit maintenance of particular fault. b. Check PDCU reconfiguration advice (Appendix G). Determine if DEGRADED mode is acceptable. (Certain degraded subsystems will not interfere with PDFCS operation or mission capability; i.e., Tube Temp is out.) If acceptable, continue mission.
18.17	PDCU SUBSYSTEM FAULT (DEGRADED MODE) IS INDICATED.	<p>Step 1. Verify that wire/cable connections are tight. If wire/cable connections are tight, go to step 2.</p> <p>Step 2. Go to para 3-5A.2 and perform BIT Status Test.</p> <ul style="list-style-type: none"> a. Determine which subsystem is degraded. Notify unit maintenance of particular fault. b. Determine if DEGRADED mode is acceptable. (Certain degraded subsystems will not interfere with PDFCS operation or mission; i.e., PDCU is out.) If acceptable, continue mission.
18.18	PCU-2 SUBSYSTEM FAULT (DEGRADED MODE) IS INDICATED.	<p>Step 1. Verify that wire/cable connections are tight. If wire/cable connections are tight, go to step 2.</p> <p>Step 2. Go to para 3-5A.2 and perform BIT Status Test.</p> <ul style="list-style-type: none"> a. Determine which subsystem is degraded. Notify unit maintenance of particular fault. b. Determine if DEGRADED mode is acceptable. (Certain degraded subsystems will not interfere with PDFCS operation or mission capability; i.e., PCU-2 BIT failed.) If acceptable, continue mission.

Table 3-1. TROUBLESHOOTING - Continued

MALFUNCTION	TEST OR INSPECTION	CORRECTIVE ACTION
PDFCS - Continued		
18.19	PMVS SUBSYSTEM (DEGRADED MODE) IS INDICATED.	<p>Step 1. Verify that cable/harness connections are tight. If wire/cable connections are tight, go to step 2.</p> <p>Step 2. Go to para 3-5A.2 and perform BIT status test.</p> <p>a. Determine which subsystem is degraded. Notify unit maintenance of particular fault.</p> <p>b. Determine if DEGRADED mode is acceptable. (Certain degraded subsystems will not interfere with PDFCS operation or mission capability; i.e. PCU-2 BIT failed.) If acceptable, continue mission.</p>
18.20	PDFCS POSITION DRIFTS/"DRU OP FAIL" IS INDICATED. SUBSYSTEM (DEGRADED MODE) IS INDICATED.	

NOTE

- Infrequently, the PDFCS position has been observed to drift while the howitzer is stationary, or the "NAV OUT - DRU OP FAIL" alert message is displayed, for no apparent reason. These problems have been traced to errors in communications between the PDCU and DRUH. With the GPS receiver (PLGR/DAGR) installed and the PDFCS operated in a GPS aided mode, the problem will be bound to an acceptable level. If the PLGR/DAGR is off or not receiving acceptable signals from four satellites, the drift may occur to an unacceptable level.
- Unless there is an operational constraint on using GPS, it is recommended that the PLGR/DAGR be installed and the PDFCS be operated in the GPS aided mode.

Follow the steps below if position is drifting when the howitzer is stationary and any of the following symptoms are observed: (Note that these conditions are normal when the howitzer is travelling.)

- a. "ZPT" is displayed in field 6 in the top line of the display. (Note that it takes about 30 seconds after the vehicle stops for a normal "ZPT" indication to clear.)
- b. PDFCS position changes more than 10 meters.
- c. The "ZUPT REQUIRED" alert message is displayed.
- d. The "NAV POS UPDATE REQUESTED" alert message is displayed.
- e. The "PRESS ACK WHEN TUBE STOWED" alert message is displayed when the howitzer hasn't traveled.
- f. The "POS UPDATE INTERRUPTED" alert message is displayed after a NAV UPDATE is attempted.
- g. The "POS UPDATE RJTD HOWITZER MOVG" alert message is displayed after a NAV UPDATE is attempted.

Table 3-1. TROUBLESHOOTING - Continued

MALFUNCTION
TEST OR INSPECTION
CORRECTIVE ACTION

PDFCS - Continued

(Note that the "POSITION UPDATE REQUIRED" alert message can be triggered by several conditions. Unless accompanied by one of the above indications, it is not a symptom of position drift.)

If any of the position drift symptoms are observed or the "NAV OUT - DRU OP FAIL" alert message is displayed, perform the following procedure:

- Step 1. Power down the PDFCS.
- Step 2. Power the PDFCS back up.
- Step 3. Reinitialize the PDFCS

NOTE



Do not replace the DRUH or PDCU for position drift or DRU OP FAIL problems. If cycling power, as discussed above, doesn't relieve the symptoms, notify unit maintenance.

Table 3-1. TROUBLESHOOTING - Continued

MALFUNCTION	TEST OR INSPECTION	CORRECTIVE ACTION
MCS		
19. MCS WILL NOT OPERATE.	Step 1. Check to see if vehicle MASTER switch is ON. If not, turn MASTER switch ON.	
	Step 2. Check battery generator indicator gage. Gage should be in high yellow area. If not, notify unit maintenance.	
	Step 3. Check to see if MCS control switch is ON. If not, turn ON MCS control switch.	
	Step 4. Check for loose electrical connections at MCS control panel. If connections are loose, tighten them.	
	Step 5. If problem still exists, notify unit maintenance.	
20. INSUFFICIENT AIR AT LOW OR HIGH SETTING AT ONE OR MORE CREW STATIONS.	Step 1. Check CHANGE FILTER light on MCS control panel. If light is ON, change M48 filter.	
	Step 2. Check diverter valve for proper position. If incorrectly adjusted, adjust valve.	
	Step 3. Check to see if quick-disconnect is properly seated in protective mask carrier. If not, seat quick-disconnect.	
	Step 4. Check to see if all hose connections are secure at M3 heater. If not, tighten connections.	
	Step 5. Check for obstructions at air inlet on MCS pack. If necessary, clear inlet.	
	Step 6. If problem still exists, notify unit maintenance.	

Table 3-1. TROUBLESHOOTING - Continued

MALFUNCTION

TEST OR INSPECTION

CORRECTIVE ACTION

MCS - Continued

21. MCS DOES NOT PROVIDE COOL AIR AT ONE OR MORE CREW STATIONS.

Step 1. Check FREON PRESSURE light on MCS control panel.

If light is ON, see table below:

Step 2. Check to see if M3 heaters are turned OFF.

If not, turn heaters OFF.

Step 3. If problem still exists, notify unit maintenance.

<p>If the outdoor temperature is below 40°F for more than 4 hours (vehicle parked outdoors)</p> <p style="text-align: center;">NOTE</p> <p>The MCS shall not be operated in the COOL mode if the outside temperature is below 40°F. In colder weather the Freon pressure light may come on when the MASTER switch is turned ON. This is due to the reduced pressure of the Freon gas.</p>	<p>Bring the vehicle to above 60°F for 24 hours. If the FREON PRESSURE light remains ON, or indoor facility is not available, notify unit maintenance. If the light goes off, the MCS shall be operated normally.</p>
<p>If the outdoor temperature is above 60°F over 24 hours (vehicle parked outdoors).</p>	<p>Notify unit maintenance.</p>

22. M3 HEATERS DO NOT SUFFICIENTLY HEAT AIR AT MASK OR VEST.

Step 1. Ensure MCS control box setting is on LOW AIR.

Make sure M3 heaters are turned ON.

If not, turn heaters ON.

NOTE

If M3 heaters are ON, an indicator will illuminate.

Step 2. Check adjustment on M3 heater control.

If not properly adjusted, adjust M3 heater control.

Step 3. If problem still exists, notify unit maintenance.

RADIOS

To troubleshoot radios, refer to TM 11-5830-263-10.

COMMUNICATION WIRE

To troubleshoot communication wire, refer to TM 11-5830-263-10.

DRIVER'S NIGHT VIEWER

To troubleshoot driver's night viewer, refer to TM 11-5855-249-10.

Table 3-1. TROUBLESHOOTING - Continued

MALFUNCTION	TEST OR INSPECTION	CORRECTIVE ACTION
ENGINE		
23. ENGINE FAILS TO CRANK OR CRANKS SLOWLY WHEN STARTER SWITCH IS ACTIVATED.	Step 1. Check to see if MASTER switch is ON.	If not, turn MASTER switch to ON position.
	Step 2. Check to see if transmission lever is in "N" position.	If not, place transmission lever in the "N" position.
	Step 3. Check to see if battery cables are loose, broken, or corroded.	If battery cables are loose, broken, or corroded, notify unit maintenance.
	Step 4. Check to see if your battery-generator indicator gage reads in high yellow or green.	If not, notify unit maintenance.
	Step 5. If engine still won't start, notify unit maintenance.	
24. ENGINE CRANKS BUT FAILS TO START.	Step 1. Check fuel gage.	Fill as necessary.
	Step 2. Check to see if fuel shut-off control handle is pulled out.	Push fuel shut-off control handle in completely.
	Step 3. Check for damaged fuel lines and hoses.	Check for blocked, kinked, pinched, or broken tubes, lines, and hoses. If tubes, lines, or hoses are blocked or not serviceable, notify unit maintenance.
	Step 4. Drain fuel filters (para 3-7.2). Check for sediment or other evidence of contaminated fuel.	Prime fuel lines. Hold fuel primer switch ON for 45 seconds to 1 minute, then use normal start procedures.
NOTE		
If improper fuel is suspected, notify unit maintenance.		
25. ENGINE HAS LOW POWER.	Step 1. Check for water in the fuel.	Drain contamination from fuel filters (para 3-7.2).
	Step 2. Check the engine air cleaners for restriction. Check air cleaner indicator.	Clean filters as necessary (para 3-7.12). Reset air cleaner indicator.

Table 3-1. TROUBLESHOOTING - Continued

MALFUNCTION**TEST OR INSPECTION****CORRECTIVE ACTION****ENGINE - Continued**

26. ENGINE HAS LOW ACCELERATION.

Step 1. Check for fuel leaks.

Tighten lines, fittings and filters.

Step 2. Check for restrictions in air cleaner filter. Check air cleaner indicator for red sleeve.

Clean air cleaner filter (para 3-7.13). Reset air cleaner indicator.

Step 3. Check to see if accelerator pedal is bent or binding.

Notify unit maintenance if accelerator pedal is bent or binds.

Step 4. Check accelerator linkage for binding or damage.

Notify unit maintenance if accelerator linkage binds or is damaged.

27. ENGINE OVERHEATS.

Step 1. Check engine coolant level. Check for leaks in lines.

Fill radiator as necessary (para 3-7.1.1). If leaks are visible, notify unit maintenance.

Step 2. Check engine oil level.

Fill as necessary (Appendix I).

Step 3. Check radiator cap for tight fit.

Tighten radiator cap. If damaged, notify unit maintenance.

Step 4. Check cooling fan for proper operation.

If defective, notify unit maintenance.

Step 5. Check cooling air exhaust grille for blockage.

Remove blockage if necessary.

Step 6. Check engine air cleaners for restriction. Check restriction indicator.

Clean as necessary. Reset restriction indicator.

Step 7. Check for prolonged period of idle at a low rpm.

Increase idle speed to 1000-1200 rpm (high idle).

28. LOW OR NO OIL PRESSURE.

Step 1. Check oil level.

Fill as necessary (Appendix I).

Step 2. Check engine compartment for evidence of oil leaks.

Notify unit maintenance if leaks are present.

Table 3-1. TROUBLESHOOTING - Continued

MALFUNCTION**TEST OR INSPECTION****CORRECTIVE ACTION****TRANSMISSION**

29. TRANSMISSION DOES NOT DRIVE IN ANY GEAR OR RANGE.

- Step 1. Check oil level.
Fill as necessary (Appendix I).
- Step 2. Check for disconnected or broken universal joints.
Notify unit maintenance if universal joints are disconnected or broken.
- Step 3. Check for broken or binding shift linkage.
Notify unit maintenance if shift linkage is broken or binds.

STEERING

30. VEHICLE DIFFICULT TO STEER.

Notify unit maintenance.

BATTERIES/ELECTRICAL SYSTEM

31. STARTER WILL NOT CRANK ENGINE.

Check to see if battery cables are loose, broken or corroded.
If battery cables are loose, broken or corroded, notify unit maintenance.

32. BATTERIES DO NOT STAY CHARGED.

- Step 1. Make sure voltage regulator circuit breaker is in the UP position when engine is running.
If circuit breaker light stays on, notify unit maintenance.
- Step 2. Check for excessive use of electrical systems when engine is not running.
Turn all electrical accessories OFF when not in use.
- Step 3. Check to see if battery cables are loose, broken, or corroded.
If battery cables are loose, broken, or corroded, notify unit maintenance.

33. MASTER SWITCH LAMP DOES NOT LIGHT.

- Step 1. Check to see if MASTER switch is ON.
Move MASTER switch to the ON position.
- Step 2. Check to see if bulb is burned out.
Replace bulb if necessary (para 3-7.6).
- Step 3. Check to see if battery cables are loose, broken or corroded.
If battery cables are loose, broken, or corroded, notify unit maintenance.

Table 3-1. TROUBLESHOOTING - Continued

MALFUNCTION

TEST OR INSPECTION

CORRECTIVE ACTION

TRACKS AND SUSPENSION

34. VEHICLE PULLS TO ONE SIDE WITH STEERING WHEEL CENTERED.

Step 1. Check for mud or dirt buildup on tracks.
Clean tracks as necessary.

Step 2. Check track tension.
Adjust as necessary (para 3-7.5).

35. VEHICLE THROWS TRACKS.

Step 1. Check for loose or worn track or end connectors.
Repair or replace as necessary (para 3-7.5).

Step 2. Check for improper driving/operation of vehicle.
Modify driving/operation of vehicle. Do not make high speed turns.

PERSONNEL HEATER

36. HEATER SMOKES OR BANGS UPON STARTING OR DOESN'T START.

Check to see if you are starting heater correctly.
Refer to heater starting procedures (para 2-22.1).

37. HEAT OUTPUT TOO LOW.

Check to see if heater switch is in HI position.
Place heater switch in HI position.

38. HEAT EXCHANGER LOADS UP WITH SOOT AND CARBON.

Check for restrictions in exhaust outlet.
Clean as necessary.

PERSONNEL HEATER (GLOBAL A20)

38A. NO PERSONNEL HEATER OPERATION, NO FAULT LAMP OPERATION, NO DIAGNOSTIC CODE DISPLAY

Step 1. Check MS power connection.
Tighten connector.

Step 2. Restart heater.

Step 3. If problem still exists, notify unit maintenance (NO PERSONNEL HEATER OPERATION, NO FAULT LAMP OPERATION, NO DIAGNOSTIC CODE DISPLAY).

38B. C3, VENT FAN FAULT

Step 1. Check for frost or obstruction in vent fan.
Remove frost or obstruction.

Step 2. Start personnel heater.

Step 3. If problem still exists, notify unit maintenance (C3, VENT FAN FAULT).

Table 3-1. TROUBLESHOOTING - Continued

MALFUNCTION**TEST OR INSPECTION****CORRECTIVE ACTION**

38C. E1, LOW VOLTAGE

Step 1. Check for loose cable connection.
Tighten loose cable connection.

Step 2. If problem still exists, notify unit maintenance (E1, LOW VOLTAGE).

38D. E3, LOW BURNER AIR FLOW

Step 1. Check exhaust for restrictions.
Remove restriction from exhaust.

Step 2. Check for combustion air restriction.
Remove combustion air restriction.

Step 3. Restart personnel heater. If problem still exists, notify unit maintenance (E3, LOW BURNER AIR FLOW).

38E. F1, IGNITION OVERTIME

Step 1. Check fuel supply.
Add fuel if necessary.

Step 2. Restart heater.

Step 3. If problem still exists, notify unit maintenance (F1, IGNITION OVERTIME).

38F. F2, BURNER FLAMEOUT

Step 1. Check fuel supply.
Add fuel if necessary.

Step 2. Restart heater.

Step 3. If problem still exists, notify unit maintenance (F2, BURNER FLAMEOUT).

38G. F3, HEAT LIMIT

Step 1. Check for obstructed heater outlet.
Remove outlet obstruction.

Step 2. Restart heater.

Step 3. If problem still exists, notify unit maintenance (F3, HEAT LIMIT).

38H. F4, VENT AIR OVERHEAT

Step 1. Check for obstructed heater output ventilation.
Remove obstruction.

Step 2. Restart heater.

Step 3. If problem still exists, notify unit maintenance (F4, VENT AIR OVERHEAT).

Table 3-1. TROUBLESHOOTING - Continued

MALFUNCTION	TEST OR INSPECTION	CORRECTIVE ACTION
38I. F6, INLET OVERHEAT, VEHICLE AMBIENT TEMPERATURE IS ABOVE 131°F (55°C)	<p>Step 1. Wait until the temperature is below 131°F. F6 display code will be cancelled when vehicle temperature is below 104°F.</p> <p>Step 2. Manually purge the heater three (3) times.</p> <p>Step 3. Restart heater.</p> <p>Step 4. If problem still exists, notify unit maintenance (F6, INLET OVERHEAT, VEHICLE AMBIENT TEMPERATURE IS ABOVE 131°F (55°C)).</p>	
38J. F7, EXHAUST OVERHEAT	<p>Step 1. Check for obstruction in air inlet or exhaust.</p> <p>Step 2. Remove obstruction.</p> <p>Step 3. Restart heater.</p> <p>Step 4. If problem still exists, notify unit maintenance (F7, EXHAUST OVERHEAT).</p>	
LEAD PARTICULATE FILTER AND VENTILATION SYSTEM		
39. AIR INTAKE VENTILATION BLOWER FAILS TO OPERATE.	<p>Ensure ventilation fan selection switch is in the LEAD FILTER INTAKE position.</p> <p>Notify unit maintenance.</p>	
40. INSUFFICIENT AIR FLOW FROM LEAD FILTER ELEMENT.	<p>Notify unit maintenance to service lead filter element.</p> <p>If CHANGE FILTER lamp failed to operate, change lamp (para 3-7.10).</p>	
41. EXHAUST LAMP FAILS TO ILLUMINATE DURING EXHAUST VENTILATION BLOWER OPERATION.	<p>Replace lamp (para 3-7.10).</p>	
42. NO AIR FLOW DURING EXHAUST VENTILATION BLOWER OPERATION.	<p>Ensure air duct control handle in driver's compartment is in the down position.</p>	

Table 3-1. TROUBLESHOOTING - Continued

MALFUNCTION	TEST OR INSPECTION	CORRECTIVE ACTION
BILGE PUMP		
43. BILGE PUMP DOES NOT OPERATE WITH BILGE PUMP SWITCH ON.	Step 1.	Check to see if MASTER switch is ON. Move the MASTER switch to the ON position.
	Step 2.	Check inlet for restrictions. Clean as necessary.
CAB TRAVERSING SYSTEM		
44. CAB DOES NOT TRAVERSE FREELY UNDER HANDWHEEL OPERATION.	Step 1.	Check to see if traverse lock is released. Release traverse lock (para 2-8.21).
	Step 2.	Check to see if TRAVERSE MODE switch is in HANDWHEEL position. Move TRAVERSE MODE switch to HANDWHEEL position.
	Step 3.	Check to see if travel lock is disengaged. Disengage if necessary.
	Step 4.	Check to see if main drive gears are obstructed by dirt on turret ring gear. Clean as necessary.
	Step 5.	Check for visible obstructions. Remove obstructions, as necessary.
45. CAB CREEPS WHEN VEHICLE IS IN A CANTED POSITION.		Notify unit maintenance.
46. CAB DOES NOT TRAVERSE FREELY UNDER HYDRAULIC OPERATION USING COS AND/OR GUNNER'S CONTROL HANDLE.	Step 1.	Check that vehicle MASTER switch and HYDRAULIC POWER switch are ON. Set MASTER switch and HYDRAULIC POWER switch ON.
	Step 2.	Check that cab traverse lock and gun tube travel lock are released. Unlock cab traverse lock and lower gun tube travel lock.
	Step 3.	Check that traverse limit switch light is on. If light is lit, make sure cab traverse is not obstructed and press traverse limit override switch while traversing cab.
	Step 4.	Check that main hydraulic system pressure is between 1925 psi \pm 50 psi. If pressure is not 1925 psi \pm 50 psi, notify unit maintenance.
	Step 5.	Check for visible obstructions. Remove obstructions.

Table 3-1. TROUBLESHOOTING - Continued

MALFUNCTION**TEST OR INSPECTION****CORRECTIVE ACTION****CANNON/BREECH**

47. PRIMER FAILS TO FIRE.

WARNING

Failure to follow misfire procedures (para 2-19) can result in injury or death.

Step 1. Check for defective primer. If it is dented, it is defective.
Use a different primer.

Step 2. Check for defective firing pin retainer.
Replace firing pin retainer if defective.

Step 3. Check for defective firing pin.
Replace firing pin if defective (para 3-8.10).

Step 4. Check for defective firing mechanism.
Replace firing mechanism and notify unit maintenance.

48. PRIMER DOES NOT EJECT.

Step 1. Check to see if primer chamber is dirty or pitted.
Clean as necessary.

Step 2. Check to see if extractor is bent or broken.
Notify unit maintenance.

49. EXCESSIVE BLOWBACK AROUND BREECHBLOCK.

Step 1. Check to see if split rings were installed properly.
Rotate rings so that splits are 180 degrees apart.

Step 2. Check tightness of obturator nut.
Tighten obturator nut.

Step 3. Check for worn obturator pad or deformed split rings.
Remove obturator (para 3-8.9) and notify unit maintenance.

Table 3-1. TROUBLESHOOTING - Continued

MALFUNCTION**TEST OR INSPECTION****CORRECTIVE ACTION****CANNON/BREECH - Continued**

50. BREECH MECHANISM DOES NOT OPERATE FREELY.

- Step 1. Check to see if breech ring/breechblock threads are dirty or burred.
Clean or de-burr as required.
- Step 2. Check for insufficient lubrication.
Lubricate (Appendix I).
- Step 3. Check outer edge of obturator spindle assembly and tube gas check seat for residue or dirt buildup.
Swab areas clean (see para 2-17c).
- Step 4. Check for deformation of the split rings and condition of obturator pad.
Disassemble and inspect the obturator group (para 3-8.9). Inspect the follower assembly roller. If roller does not rotate freely, notify unit maintenance.
- Step 5. Check to see if other breech mechanism components are burred, damaged or worn.
- Step 6. Check breech block detent plunger.
Clean or de-burr as required.

EXAMPLE: • Problem with the breech leaf spring pack will affect breechblock swing.
• Problem with the gear rack coil springs will affect breechblock rotation.

Notify unit maintenance.

51. GASES ACCUMULATE IN CAB DURING FIRING.

- Step 1. Check to see if O-rings, nine preresevoir orifices, 10 evacuator orifices, three metering holes, nine evacuator ball valves, and ring valve are damaged, deformed or restricted.
Clean and replace as required.
- Step 2. Check for broken or deformed ring valve.
Notify unit maintenance if broken or deformed.

52. BORE EVACUATOR OR MUZZLE BRAKE THRUST COLLAR BECOMES LOOSE.

- Step 1. Check for loose or missing setscrew that screws ball locking device.

NOTE

This screw should be staked in place.

Notify unit maintenance on status of check.

- Step 2. Check functioning of ball lock.
Notify unit maintenance if ball is stuck or spring appears broken.

Table 3-1. TROUBLESHOOTING - Continued

MALFUNCTION	TEST OR INSPECTION	CORRECTIVE ACTION
MOUNT & RECOIL MECHANISM		
53. HOWITZER HAS JERKY OR UNEVEN RECOIL.	Step 1.	Check for air in variable recoil hydraulic system and buffer assembly. Bleed system and check replenisher (para 3-8.6). Fill as necessary (Appendix I).
	Step 2.	Check to see if cradle bearings need lubrication. Lubricate (Appendix I).
	Step 3.	If problem still exists, notify unit maintenance.
54. HOWITZER RETURNS TO BATTERY WITH EXCESSIVE FORCE.	Step 1.	Follow steps 1 and 2 in previous malfunction (Howitzer has jerky or uneven recoil).
	Step 2.	If problem still exists, notify unit maintenance.
55. INSUFFICIENT RECOIL TRAVEL.		Notify unit maintenance.
TRAVEL LOCK		
56. TRAVEL LOCK WILL NOT OPERATE.	Step 1.	Check that vehicle MASTER switch is ON. Set MASTER switch ON.
	Step 2.	Check that TRAVEL LOCK CONTROL switch is in proper position. Set travel lock controls to proper position (para 2-8.19).
	Step 3.	Check travel lock electrical connectors for proper connection or damage. Tighten connectors if loose. Notify unit maintenance if connectors are damaged.
	Step 4.	Operate travel lock manually (para 2-8.19) and notify unit maintenance.
LOADER RAMMER		
57. LOADER RAMMER FAILS TO OPERATE.	Step 1.	Check hydraulic system pressure at fuze manifold. If pressure is low, notify unit maintenance.
	Step 2.	Perform rammer operational checks (para 3-8.3). If rammer does not pass all operational checks, notify unit maintenance.

Table 3-1. TROUBLESHOOTING - Continued

MALFUNCTION	TEST OR INSPECTION	CORRECTIVE ACTION
CANNON ELEVATING SYSTEM		
58. CANNON WILL NOT ELEVATE.	Step 1. Check that travel lock is open. Open travel lock (para 2-8.19).	
	Step 2. Check that HYDRAULIC POWER switch is ON. Turn on HYDRAULIC POWER switch (para 2-8.21.4).	
	Step 3. Check that COS/GNR switch is in proper position. Set COS/GNR switch to proper position (para 2-8.21.4).	
	Step 4. Check equilibration system (para 3-8.2).	
	Step 5. If problem still exists, notify unit maintenance.	
PRECISION LIGHTWEIGHT GPS (GLOBAL POSITIONING SYSTEM) RECEIVER		
59. GPS WILL NOT POWER-UP.	Step 1. Check power wiring harness connector is secure to GPS J-4 connector at dome light.	
	Step 2. Check fuse is not blown. Open fuse holder (para 2-22.9.3).	
	Step 3. Refer to TM 11-5825-291-13 for further troubleshooting the AN/PSN-11, then notify unit maintenance.	
M93 MVS (AFCS)		
60. DURING AFCS INITIALIZATION: MVS WILL NOT POWER-UP.	Step 1. Check that MVS radar antenna is installed on vehicle Step 2. If installed: Check W92 cable connections at MVS Antenna and at W93A cable. Disconnect W92 cable connections and check for bent pins and other damage to sockets. Reconnect W92 cable connections and re-check "POWER-UP STATUS". Replace W92 cable. If problem still exists notify unit maintenance. Step3. If not installed: Check if the terminator cap is installed on W93A cable connection. If terminator is installed while the DU is ON the AFCS will show the MVS and 1553 BUS SUBSYSTEMS as being "DEGRADED".	
61. DURING "FIRE MISSION" PROCESSING: NO MUZZLE VELOCITY VARIANCE ACQUIRED.	Step 1. Was the "COMMAND TO FIRE" sent to AFCS, "AT MY COMMAND ONLY"? Step 2. Did the operator set the "Muzzle Velocity Variance (MVV) Rounds" to the minimum required for the "FIRE MISSION" (FM)? Step 3. Did the operator fire the minimum number of "good rounds" required for the FM? Step 4. For the FM in question, does the AFCS have the same type of ammo combination and quantity required by the BCS for the FM? Step 5. Are the extended lost codes specified for the propellant to be used in the FM? Step 6. Was "END OF MISSION" sent to the AFCS?	

Table 3-1. TROUBLESHOOTING - Continued

MALFUNCTION

TEST OR INSPECTION

CORRECTIVE ACTION

M93 MVS (AFCS) - CONTINUED

62. MVS DECREMENTS ROUNDS PREMATURELY WHEN BREECH IS CLOSED.

When this occurs, no useful MVV data can be gathered.
 Request guidance from POC regarding completion of fire mission.
 Turn in MVS to unit maintenance for repair/replacement.

PMVS (PDFCS)

63. DURING PDFCS INITIALIZATION: PMVS WILL NOT POWER-UP.

- Step 1. Check that PMVS antenna is installed on vehicle.
- Step 2. Check W92A cable connections at PMVS Antenna and at W93B cable.
 Disconnect W92A cable connection at antenna and check for bent pins and other damage to sockets.
 Reconnect W92A cable connection and re-check "POWER-UP STATUS".
 If problem still exists, notify unit maintenance.

64. DURING "FIRE MISSION" PROCESSING: NO MUZZLE VELOCITY VARIANCE ACQUIRED.

- Step 1. Was the "COMMAND TO FIRE" sent to PDFCS, "AT MY COMMAND ONLY"?
- Step 2. Did the operator set the "Muzzle Velocity Variance (MVV) Rounds" to the minimum required for the "FIRE MISSION" (FM)?
- Step 3. Did the operator fire the minimum number of "good rounds" required for the FM?
- Step 4. For the FM in question, does the PDFCS have the same type of ammo combination and quantity required by the BCS for the FM?
- Step 5. Are the extended lost codes specified for the propellant to be used in the FM?
- Step 6. Was "END OF MISSION" sent to the PDFCS?

65. PMVS DECREMENTS ROUNDS PREMATURELY WHEN BREECH IS CLOSED.

When this occurs, no useful MVV data can be gathered.
 Request guidance from POC regarding completion of fire mission.
 Turn in PMVS to unit maintenance for repair/replacement.

Section III. MAINTENANCE PROCEDURES

3-7 HULL MAINTENANCE PROCEDURES.

3-7.1 Engine Cooling System.

3-7.1.1 Adding Coolant.

WARNING

- Corrosion inhibitor contains alkali. Do not get in eyes. Wear goggles/safety glasses when using. Avoid contact with skin. In case of contact, immediately wash area with soap and water. If eyes are contacted, flush eyes with large amounts of water for at least 15 minutes and get medical attention.
- NEVER remove radiator cap on an engine until it has cooled. Steam may be present. Use a rag and remove radiator cap slowly to prevent serious injury to personnel.

NOTE

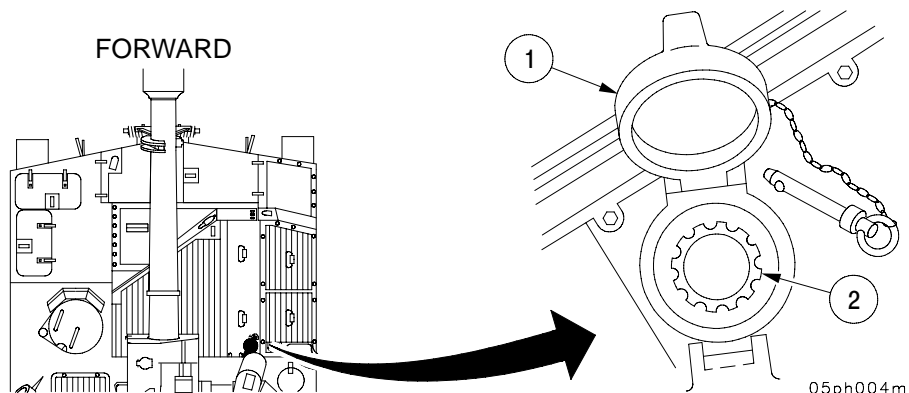
If moving, stop vehicle, shift transmission into neutral and increase idle speed 1000-to-1200 rpms. If temperature continues to rise, shut down completely and allow engine to cool before adding coolant.

- With engine shut down, open radiator cap access cover (1). Remove radiator cap (2).

CAUTION

If engine has overheated, start engine and idle before adding coolant.

- Add coolant to top of filler neck and replace radiator cap (2).
- Start and run engine at idle for 2 minutes to eliminate air locks; recheck coolant level and add coolant, if necessary. Close access cover (1).



3-7 HULL MAINTENANCE PROCEDURES - CONTINUED

3-7.1 Engine Cooling System - Continued

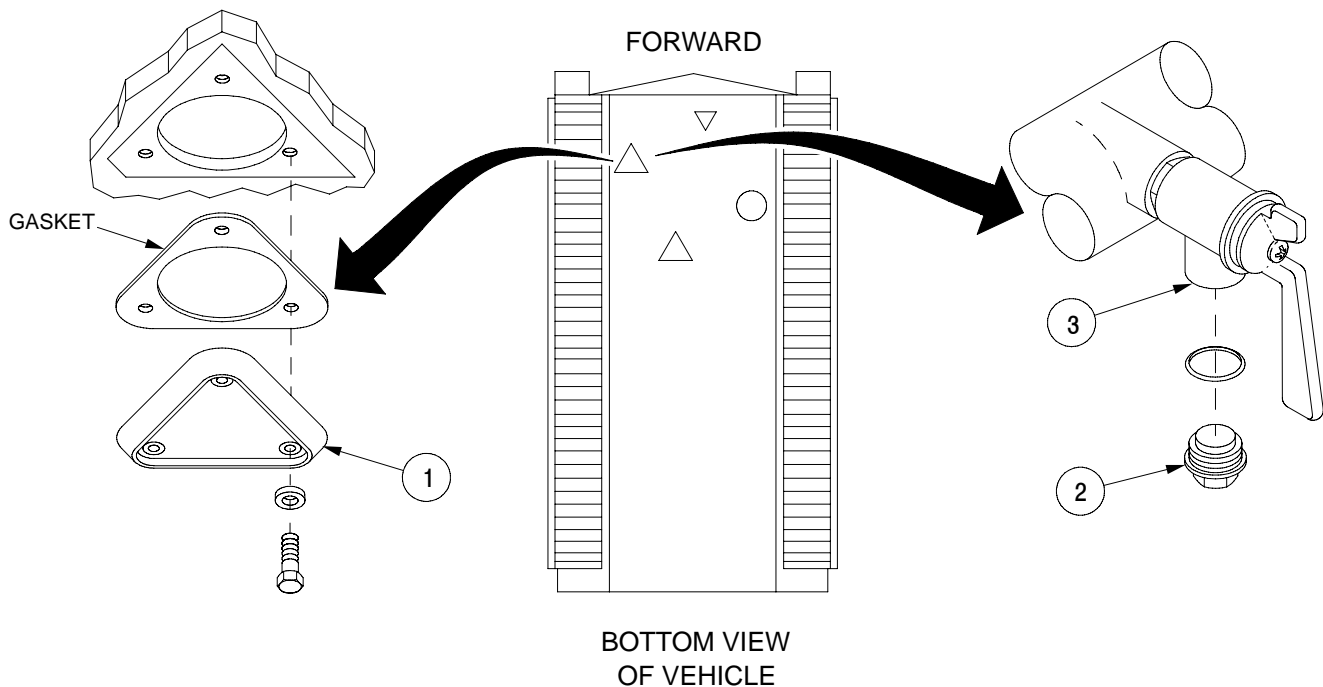
3-7.1.2 Faulty Cooling System. If radiator is clogged or dirty, notify unit maintenance.

NOTE

Overheating is caused by a faulty cooling system or low coolant level. Proper maintenance of cooling system will help prevent overheating.

3-7.1.3 Draining/Refilling Cooling System.

- Place vehicle on an incline, nose down, to facilitate coolant draining.
- Allow engine to cool.
- Remove access cover (1) on bottom of vehicle.
- Using a socket wrench, remove coolant drain plug (2). Open valve (3) and drain coolant into suitable container.
- Slowly remove radiator cap.
- Close valve (3). Install drain plug (2) and refill with coolant.
- Install access cover (1).



05ph003m

3-7 HULL MAINTENANCE PROCEDURES - CONTINUED

3-7.1 Engine Cooling System - Continued

3-7.1.4 Coolant Temperature Ranges.

Below -55°F	Antifreeze (Arctic type, full strength) (item 4, Appx D)
+32°F to -55°F	Antifreeze (50% water mixture) (item 3, Appx D)
Above +32°F	Add corrosion inhibitor (item 23, Appx D) (22-1/2 oz. per vehicle)

3-7.2 Servicing Fuel System.

WARNING

Diesel fuel is flammable. Do not smoke in vicinity while performing servicing operations, to prevent serious injury to personnel.

NOTE

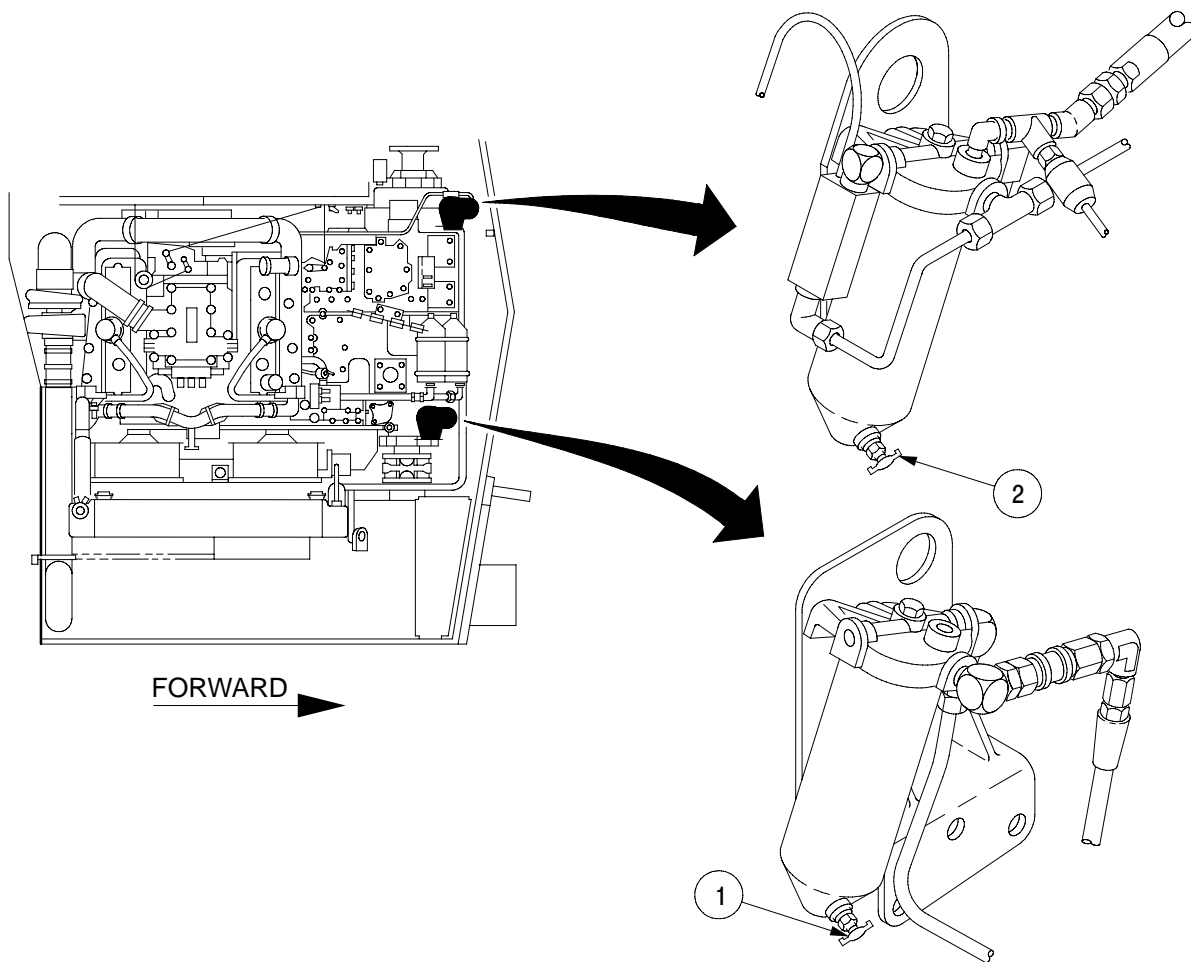
After primary and secondary fuel filters have been drained, use fuel system air purge by turning on the FUEL PRIMER switch for 45 seconds prior to starting engine.

- a. Place travel lock in maintenance position (para 2-8.19.3). Open both transmission doors.

3-7 HULL MAINTENANCE PROCEDURES - CONTINUED

3-7.2 Servicing Fuel System - Continued

- b. Place container under drain cocks. Open drain cocks at primary (1) and secondary (2) fuel filters to remove water and dirt.
- c. When clean fuel is visible, close drain cocks.



03ph006m

- d. When necessary, remove water and dirt from fuel tanks as follows:

3-7 HULL MAINTENANCE PROCEDURES - CONTINUED

3-7.2 Servicing Fuel System - Continued

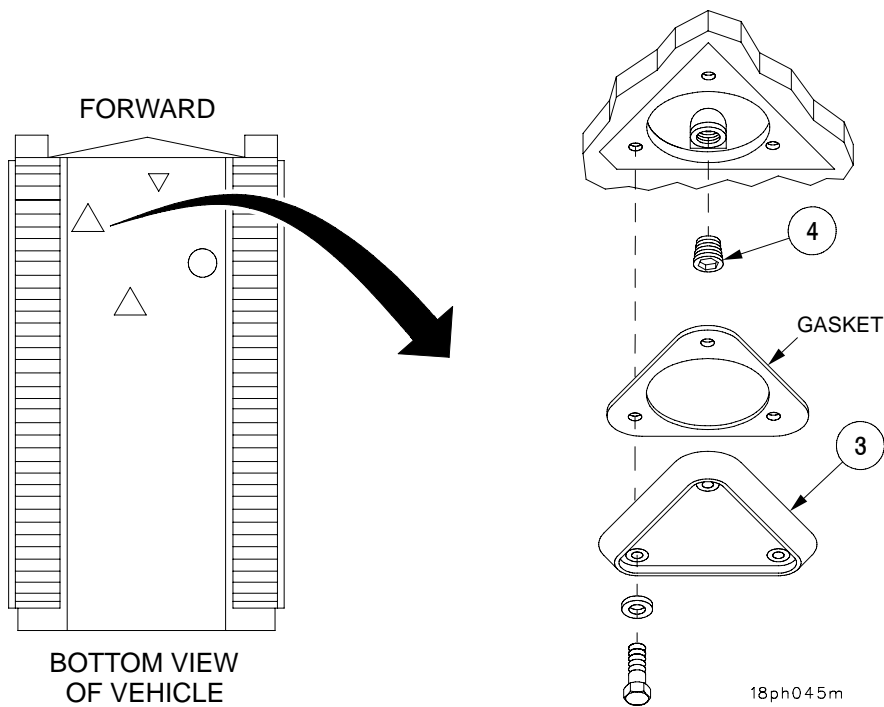
WARNING

Spilled diesel fuel is slippery and flammable. A fuel tank holds 133 gallons of fuel. Before draining, provide a suitable container with capacity to hold the fuel to be drained. Dispose of drained fuel in an appropriate manner.

NOTE

After operation, keep fuel tanks full to minimize condensation.

- (1) Remove access cover (3).
- (2) Using a socket head screw key, remove fuel plug (4).
- (3) Drain fluid into suitable container(s) until fuel is clear.
- (4) When clear fuel is visible, replace fuel plug (4).
- (5) Install access cover (3).



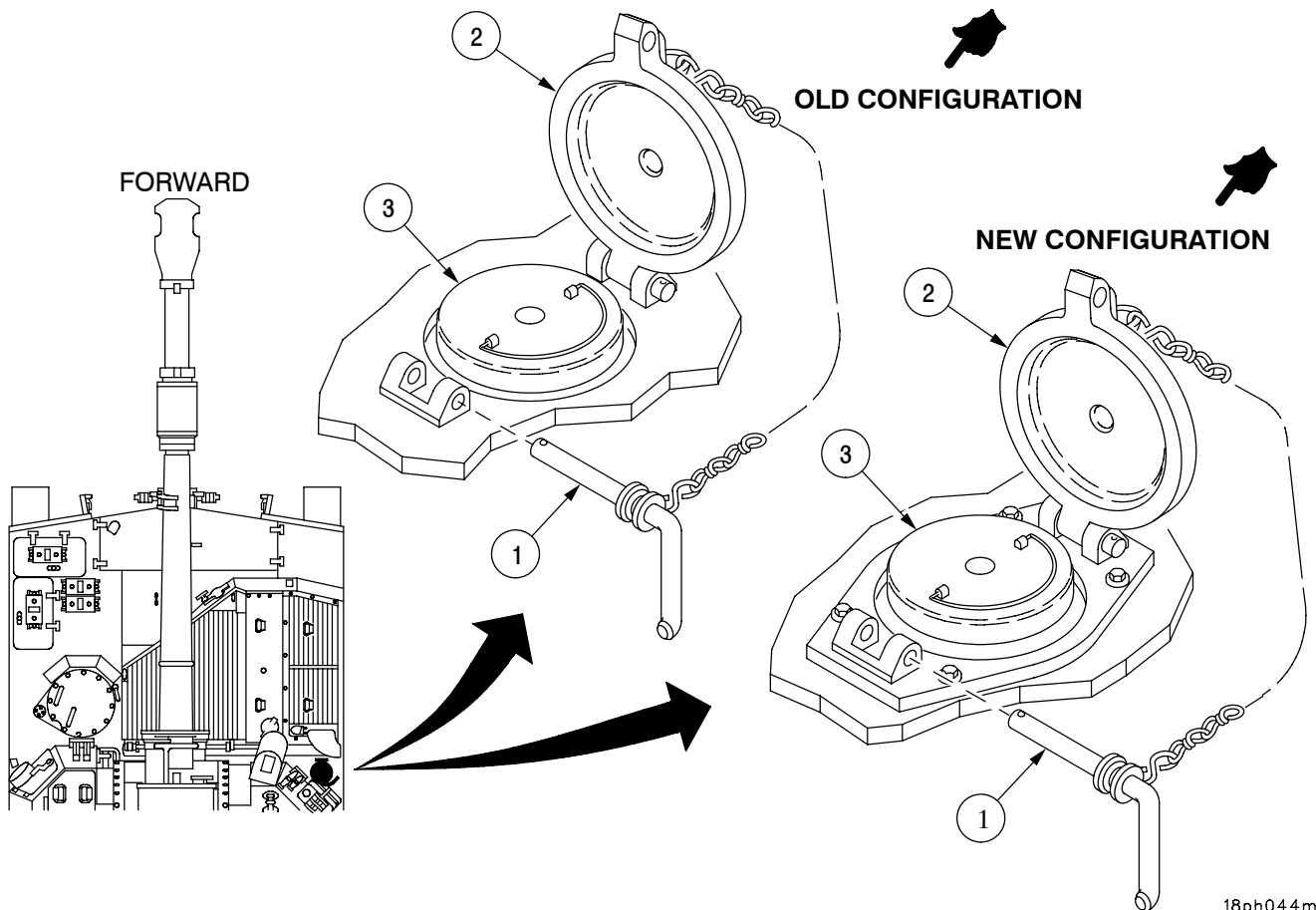
3-7 HULL MAINTENANCE PROCEDURES - CONTINUED

3-7.3 Refueling.

WARNING

- Diesel fuel is flammable. Do not smoke within 50 ft (15.2 m) of the vehicle while refueling to prevent serious injury to personnel.
- Use goggles and proper grounding procedures during refueling.

- Shut off engine.
- Before removing fuel cap, clean away debris.
- Ground fuel hose nozzle to vehicle.
- Remove locking pin (1), open fuel cap access cover (2) and remove fuel cap (3) slowly.
- Fill to a level 6 inches below top of filler neck.
- Replace fuel cap (3), close cover (2) and secure with locking pin (1).



18ph044m

Change 3

3-67

3-7 HULL MAINTENANCE PROCEDURES - CONTINUED

3-7.4 Servicing Batteries.

WARNING

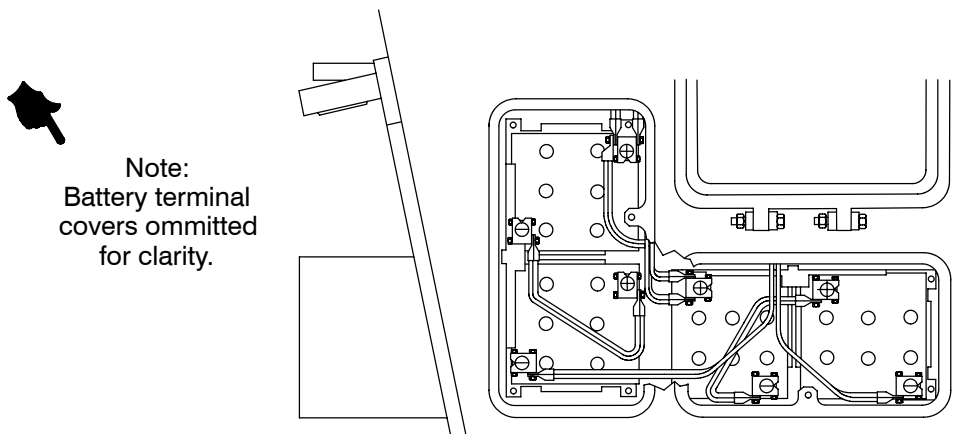
Lead-acid battery gases can explode. Don't smoke, have open flames or make sparks around a battery, especially if caps are off. If a battery is gassing, it can explode and cause injury to you.

3-7.4.1 Loose Connections.

- a. Terminal lugs should be all the way down on battery posts and tight.
- b. Battery hold-downs should be tight, but not so tight as to damage battery case.
- c. If bolt threads are corroded, so as to prevent a tight hold, notify unit maintenance for replacement.
- d. If cables or terminal lugs are loose or broken, notify unit maintenance.

3-7.4.2 Electrolyte Level.

- a. Clean off caps before removing. Do not allow dirt or foreign matter to get into battery cells.
- b. Keep the vent holes in caps clear to allow gas to escape from cells.
- c. Electrolyte level must not drop below the top of the battery plates. If this condition exists, notify unit maintenance.



Note:
Battery terminal
covers omitted
for clarity.

06ph011mc

3-7 HULL MAINTENANCE PROCEDURES - CONTINUED

3-7.4 Servicing Batteries - Continued

3-7.4.3 Corrosion.

WARNING

Battery corrosion is an acid and will eat holes in your clothing. Wash any acid off skin immediately.

- a. Corrosion tends to build up on the battery posts, terminal lugs, and cables. This corrosion may damage cables and terminal lugs. If corroded, notify unit maintenance.

NOTE

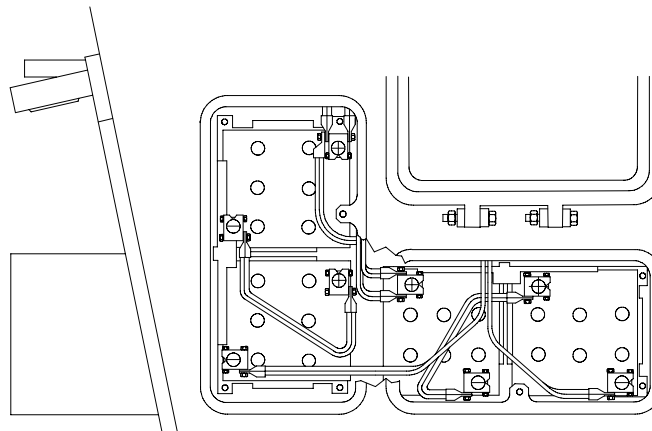
Make sure battery caps are tight and no cracks are visible in battery case.

- b. Clean top of battery with a damp cloth and wipe dry.

CAUTION

Complete discharge of batteries will lessen battery life and, in freezing weather, will burst battery case. Avoid running battery down.

3-7.4.4 Unserviceable Batteries. If the batteries fail, notify unit maintenance.



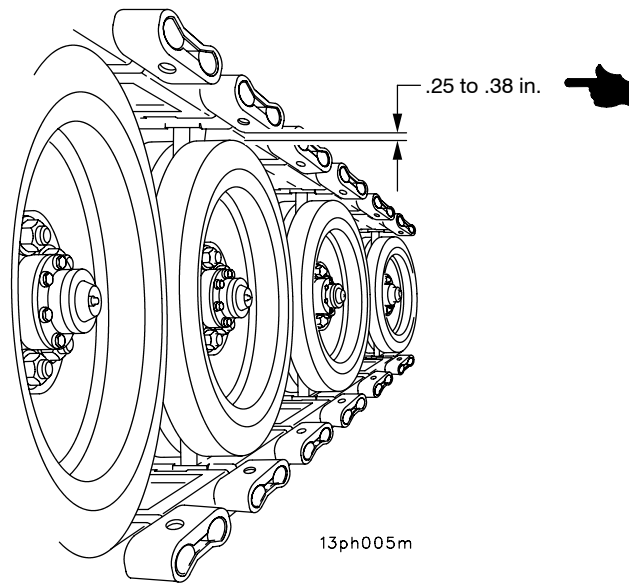
06ph011ma

3-7 HULL MAINTENANCE PROCEDURES - CONTINUED

3-7.5 Maintenance of Track.

3-7.5.1 Checking/Adjusting Track Tension.

- a. Move vehicle forward and backward several times on level ground, stopping by shifting the shift selector into neutral and coasting to a stop.
- b. Check the distance from the top of third roadwheel (from drive sprocket) to the track. If distance is more or less than .25 to .38 inches, track tension needs adjustment.



3-7 HULL MAINTENANCE PROCEDURES - CONTINUED

3-7.5 Maintenance of Track - Continued

3-7.5.2 Increase Track Tension.

NOTE

When track adjuster will not extend, it has reached its maximum limit of 3-1/2 inches (8.89 cm). Remove one shoe and readjust track tension.

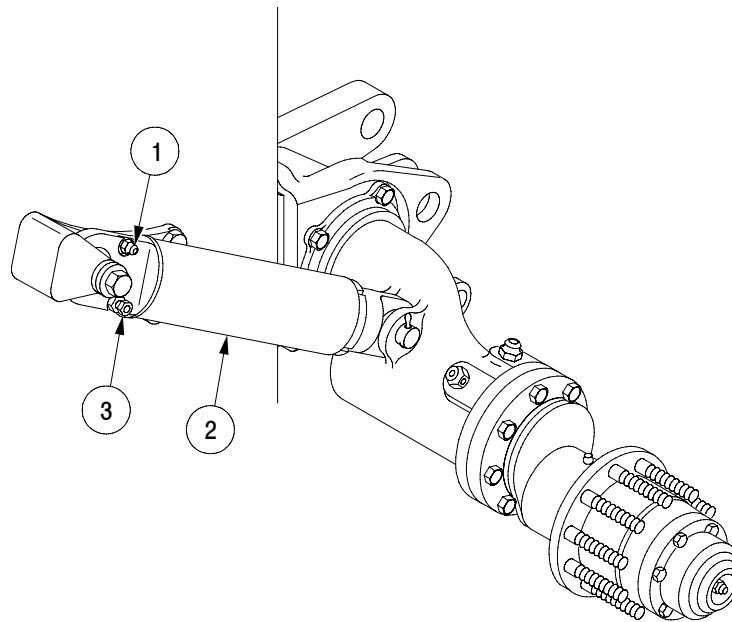
- a. Using a rag, clean grease fitting.
- b. Pump grease (item 18, Appx D) into fitting (1) on track adjuster (2) until correct tension is obtained (Appendix I).

3-7.5.3 Decrease Track Tension.

WARNING

Lubricant is under high pressure. Loosen bleed plug slowly to avoid injury to personnel.

Open bleed plug (3) on track adjuster (2) and reduce pressure slowly until tension is released. Tighten plug and wipe away excess grease.



13ph011m

3-7 HULL MAINTENANCE PROCEDURES - CONTINUED

3-7.5 Maintenance of Track - Continued

3-7.5.4 Removing Track Shoe.

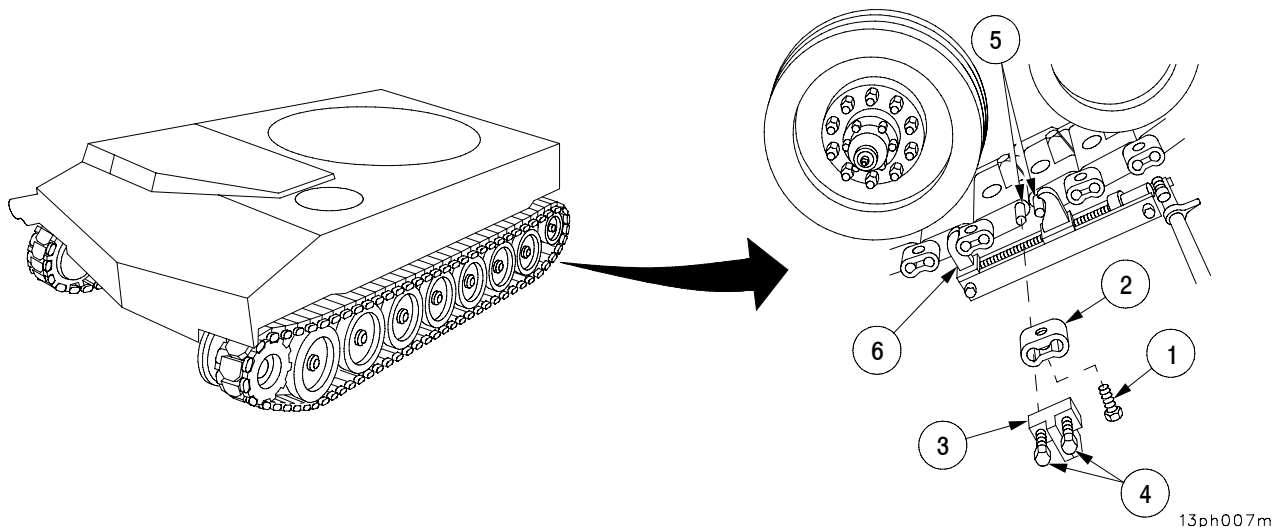
WARNING

Track is heavy. Before removing track-connecting fixtures, support weight of track with crowbar to lower track to ground, to prevent possible injury.

NOTE

Ensure vehicle is parked so track shoe to be removed is off the ground, either between the roadwheel and the idler wheel or between the drive sprocket and the front roadwheel.

- a. Decrease track tension (para 3-7.5.3).
- b. Remove four bolts (1) from four end connectors (2) holding track shoes to be removed.
- c. Install end connector puller (3) and tighten two screws (4) against ends of track link pins (5).
- d. Move four end connectors (2) out approximately 1 inch (25.4 mm), but do not remove.
- e. Install two track fixtures (6) across track shoe being removed, engaging track link pins (5) on adjoining shoes.
- f. Remove two end connectors (2) from track shoe with end connector puller (3).
- g. Support weight of track with crowbar.
- h. Remove two track fixtures (6) and lower track to ground with crowbar.
- i. Remove two remaining end connectors (2) from track shoe being removed.



3-7 HULL MAINTENANCE PROCEDURES - CONTINUED

3-7.5 Maintenance of Track - Continued

3-7.5.5 Installing Track Shoe.

- a. Position track shoe (7) on one end of disconnected track and secure with two end connectors (2).
- b. Using a crowbar, raise track far enough to install two track fixtures (6).
- c. Install two track fixtures (6) across track shoe being connected and tighten evenly until track link pins (5) are close enough to install two end connectors (2).
- d. Connect track shoe with two end connectors (2) and remove two track fixtures (6).
- e. Install two end connectors (2) on track shoe (7) by tapping with hammer until end connectors (2) are flush with track link pins (5).

NOTE

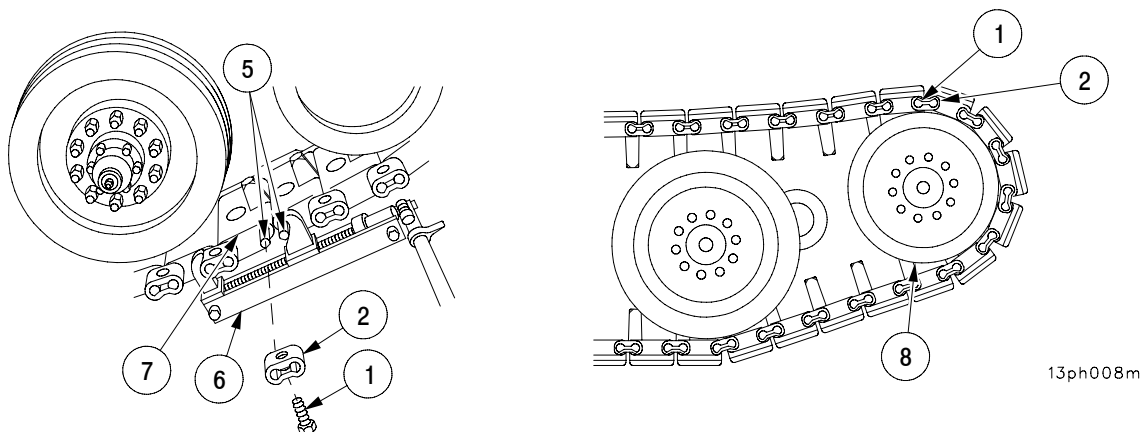
A lubricant is applied to end connector bolts at the manufacturer. Any end connector bolt torqued dry is incorrectly torqued (too LOW). If a bolt is removed and reinstalled, a new coating of lube must be applied. Any oil or grease is acceptable.

- f. Install and tighten four bolts (1) in four end connectors (2).
- g. Mark replaced end connectors (2).
- h. Move track so that replaced end connector (2) is at the 12 o'clock position (top) of the idler wheel (8).

NOTE

Notify unit maintenance to torque replaced end connector bolts to 380-420 lb-ft (515-570 N·m) wet.

- i. Adjust track tension (para 3-7.5.1).
- j. Drive vehicle at a speed not to exceed 10 MPH for a short distance alternating right and left steers.
- k. Stop vehicle and visually inspect the four end connectors of the replaced track shoe. If any end connectors have shifted position, reposition and torque the four end connector bolts (1) (steps g-h).



3-7 HULL MAINTENANCE PROCEDURES - CONTINUED

3-7.5 Maintenance of Track - Continued

3-7.5.6 Disconnecting Track.

WARNING

Track is heavy. Before removing track-connecting fixtures, support weight of track with crowbar to lower track to ground, to prevent possible injury

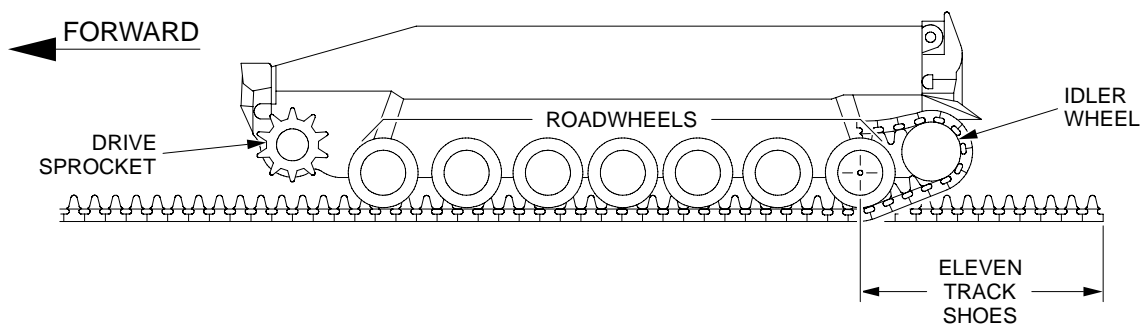
- Disconnect track in same manner as replacing track shoe, but remove only two connectors opposite each other.
- Before removing track fixtures, support weight of track with crowbar to lower track to ground.
- To connect track, refer to para 3-7.5.8.

3-7.5.7 Installing Track.

NOTE

Rear fender must be in raised position to remove and install track over idler wheel.

- Lay track out in front of vehicle in a straight line, directly ahead of and touching the first roadwheel (79 shoes per track).
- Start engine and drive slowly onto track to a point where enough track shoes to cover idler wheel extend past centerline of last roadwheel.



13ph009m

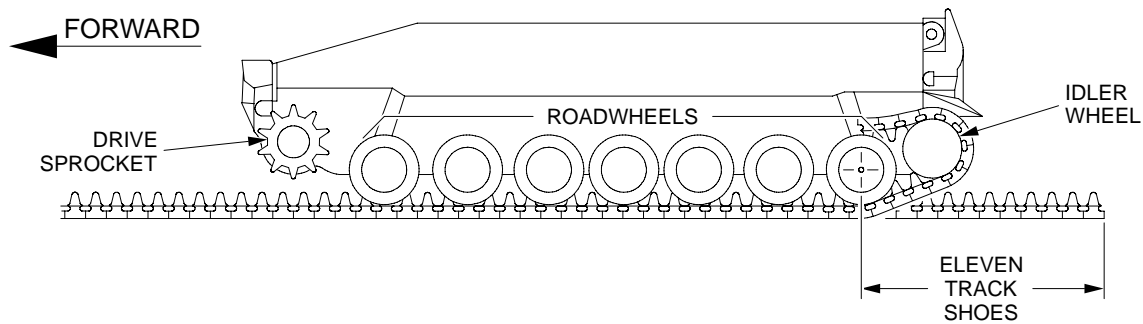
- Stop engine; leaving parking brake off.
- Install stop block front and rear.
- Place an end connector on end of the track, and with the use of track fixture handle, lift end of track over idler wheel until it rests on top of last roadwheel.
- Remove stop blocks.

3-7 HULL MAINTENANCE PROCEDURES - CONTINUED

3-7.5 Maintenance of Track - Continued

3-7.5.7 Installing Track - Continued

- g. Start engine, place shift lever in forward (F-1), with steering turned in direction of removed track. Move vehicle forward slowly, allowing track to rest on roadwheels, lifting up on end of track to prevent it from getting caught between roadwheels.
- h. Lay end of track on drive sprocket, turn steering wheel to opposite track and accelerate at low speed. This will clutch brake opposite track final drive, pulling track forward.
- i. Stop engine when track fixtures can be connected to both ends of loose track and apply parking brake to hold sprocket in place. A crowbar may be used to pry down or up on loose track to install track fixtures. Install two fixtures over link pins one on inside and one on outside of track. Release brake. To connect track, refer to para 3-7.5.8.



13ph009m

3-7 HULL MAINTENANCE PROCEDURES - CONTINUED

3-7.5 Maintenance of Track - Continued

3-7.5.8 Connecting Track.

- a. Tighten track fixtures (1) evenly until link pins (2) are close enough to install end connectors (3).
- b. Connect track shoe (4) with end connectors (3) and remove two track fixtures (1).
- c. Reposition track fixtures (1), one at a time, and continue to tighten evenly until link pins (2) are close enough to install end connectors (3).
- d. Install end connectors (3) until end connectors (3) are flush with track link pins (2) on track shoe (4) by tapping with hammer.

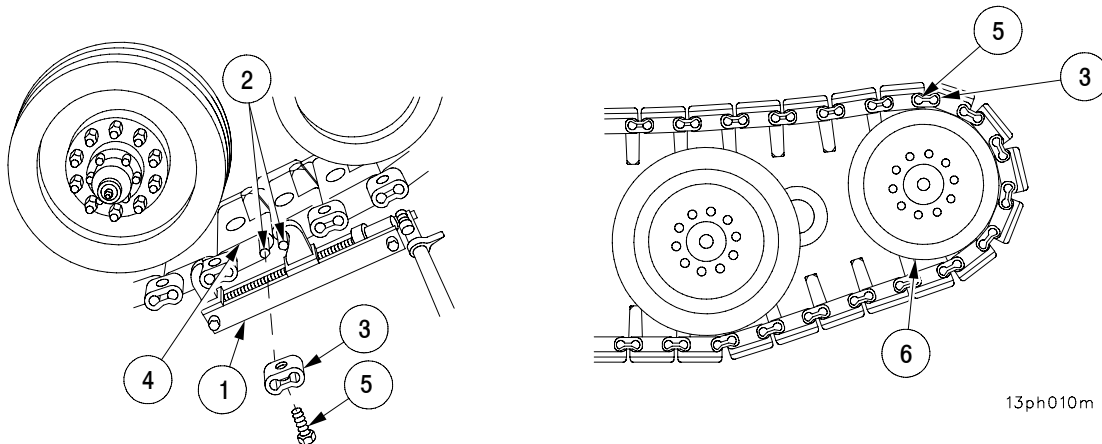
NOTE

A lubricant is applied to end connector bolts at the manufacturer. Any end connector bolt torqued dry is incorrectly torqued (too LOW). If a bolt is removed and reinstalled, a new coating of lube must be applied. Any oil or grease is acceptable.

- e. Install bolts (5); tighten.
- f. Mark replaced end connectors (3).
- g. Move track so that marked end connectors (3) are at the 12 o'clock position (top) of idler wheel (6).

NOTE

Notify unit maintenance to torque bolts to 380-420 lb-ft (515-570 N-m) wet.



- h. Adjust track tension (para 3-7.5.1).

CAUTION

Hard pivot steers are unacceptable and may cause a track to be thrown.

- i. Drive vehicle at a speed not to exceed 10 MPH for a short distance alternating right and left steers.
- j. Stop vehicle and visually inspect for any end connectors that may have shifted. If any end connectors have shifted, reposition. Tighten end connector bolts (5) (steps f-g) that have been repositioned. Notify unit maintenance to torque bolts to 380-420 lb-ft (515-570 N-m) wet.

3-7 HULL MAINTENANCE PROCEDURES - CONTINUED

3-7.6 Portable/Driver's Instrument Panel Lamp and LED Removal.

a. Removal.

WARNING

Make sure MASTER switch is OFF when working on hull electrical system to avoid electrical shocks and burns.

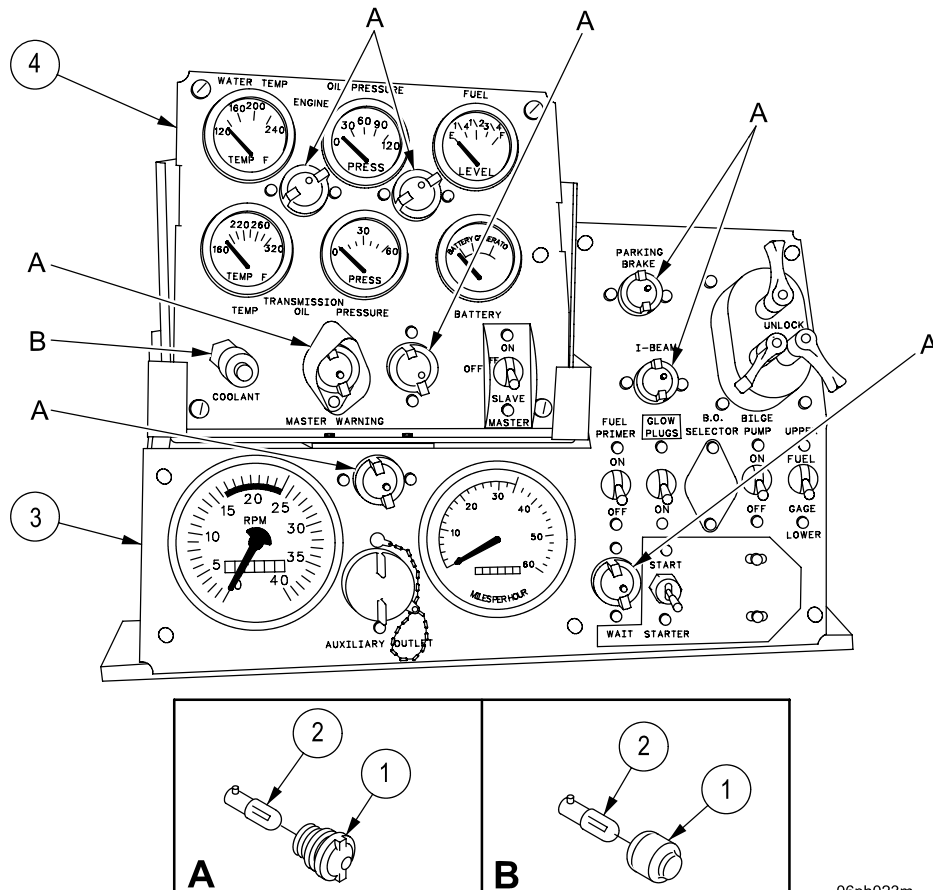
NOTE

The procedures to remove the lamps and LEDs in the driver's portable and instrument panel are identical.

- 1 MASTER switch is in the OFF position.
- 2 Unscrew lens (1). Remove lamp or LED (2) from driver's instrument panel (3) or portable instrument panel (4).

b. Installation.

- 1 Apply thorough coat of anticorrosion silicone compound (item 38, Appendix D) to the base of new lamp or LED before installing new lamp or LED.
- 2 Install new lamp or LED (2) and lens (1) into driver's instrument panel (3) or portable instrument panel (4).



06ph023m

3-7 HULL MAINTENANCE PROCEDURES - CONTINUED

3-7.7 Control Box Assembly (Travel Lock) LED Removal.

a. Removal.

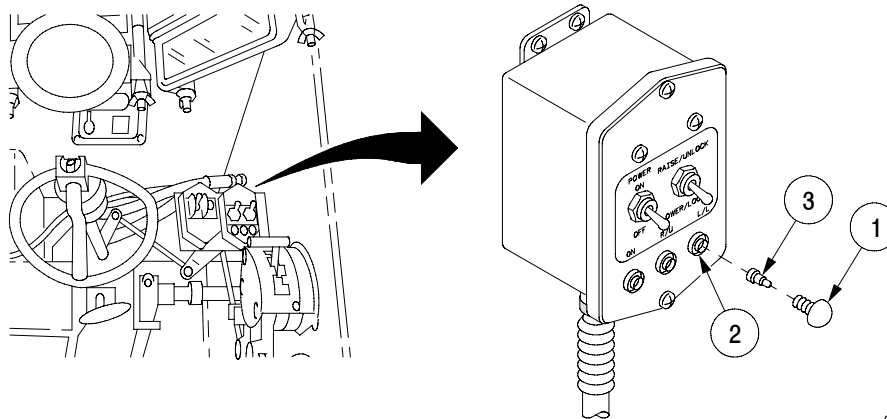
WARNING

Make sure MASTER switch is OFF when working on hull electrical system to avoid electrical shocks and burns.

- 1 Remove lens cap (1) from housing cover (2).
- 2 Pull LED (3) from lens cap (1).

b. Installation.

- 1 Apply thorough coat of anti-corrosion silicone compound (item 38, Appendix D) to the base of LED before installing new LED.
- 2 Install replacement LED (3) in lens cap (1).
- 3 Screw lens cap (1) onto housing cover (2).



06ph024m

3-7 HULL MAINTENANCE PROCEDURES - CONTINUED

3-7.8 Crew Compartment Warning Light Lamp Removal.

a. Removal.

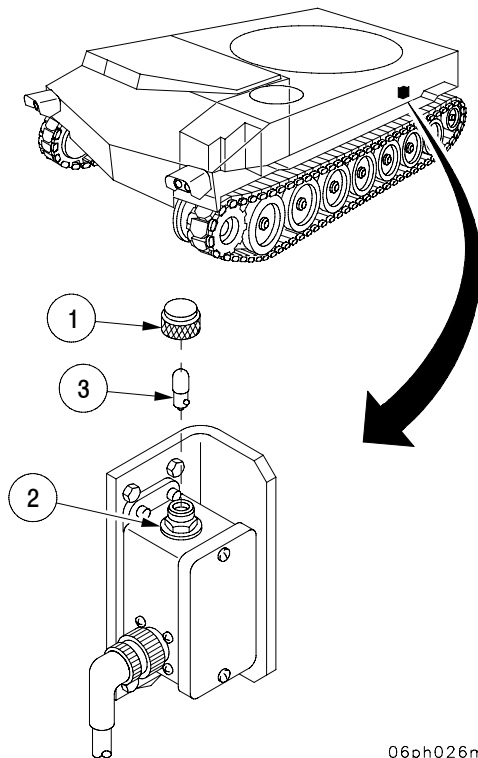
WARNING

Make sure MASTER switch is OFF when working on hull electrical system to avoid electrical shocks and burns.

- 1 Remove lens cap (1) from housing (2).
- 2 Pull LED (3) from housing (2).

b. Installation.

- 1 Apply thorough coat of anti-corrosion silicone compound (item 38, Appendix D) to the base of LED before installing new LED.
- 2 Install replacement LED (3) in housing (2).
- 3 Screw lens cap (1) onto housing (2).



3-7 HULL MAINTENANCE PROCEDURES - CONTINUED

3-7.9 M3 Heater Pilot Light Lamp Removal.

a. Removal.

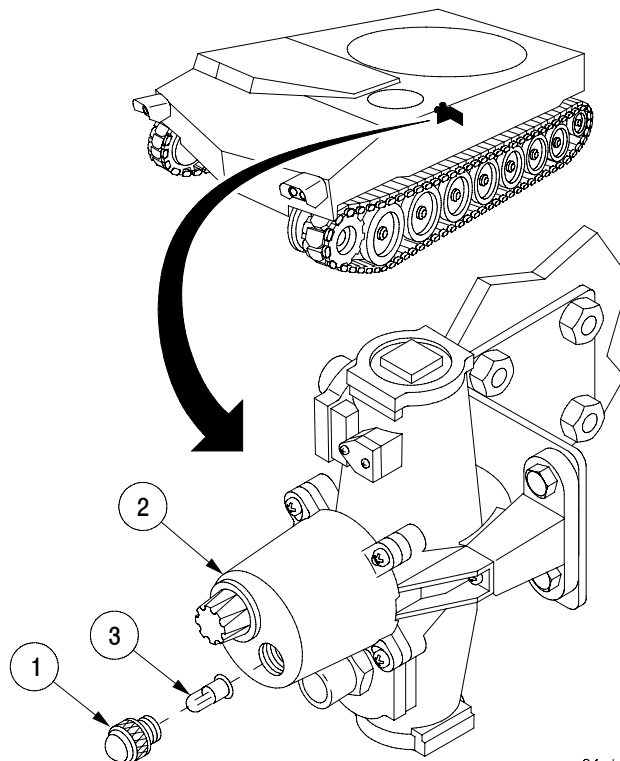
WARNING

Make sure MASTER switch is OFF when working on hull electrical system to avoid electrical shocks and burns.

- 1 Remove pilot light lens (1) from heater (2).
- 2 Separate lamp (3) from pilot light lens (1).

b. Installation.

- 1 Apply thorough coat of anti-corrosion silicone compound (item 38, Appendix D) to the base of new LED before installing new LED.
- 2 Install lamp (3) in pilot light lens (1).
- 3 Install pilot light lens (1) in heater (2).



91ph002m

3-7 HULL MAINTENANCE PROCEDURES - CONTINUED

3-7.10 Accessory Control Box Indicator LED Removal.

a. Removal.

WARNING

Make sure MASTER switch is OFF when working on hull electrical system to avoid electrical shocks and burns.

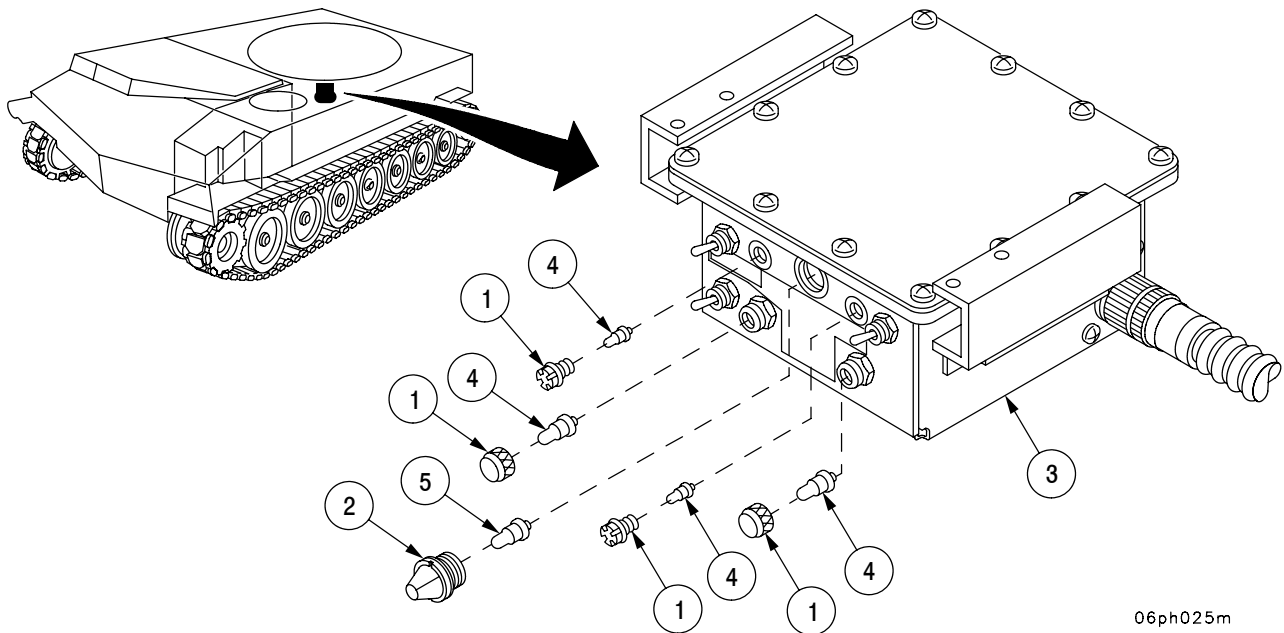
NOTE

There are two different types of the accessory control boxes installed in the M109A6 vehicles. The LED removal and installation procedures are the same for both.

- 1 Remove lens cap (1) or lens (2) from housing (3).
- 2 Separate LED (4) from lens cap (1) or remove LED (5) from housing (3).

b. Installation.

- 1 Apply thorough coat of anti-corrosion silicone compound (item 38, Appendix D) to the base of new LED before installing new LED.
- 2 Install LED (4) in lens cap (1) or LED (5) in housing (3).
- 3 Install lens cap (1) or lens (2) in housing (3).



3-7 HULL MAINTENANCE PROCEDURES - CONTINUED

3-7.11 Master Warning Light Assembly Lamp Removal.

a. Removal.

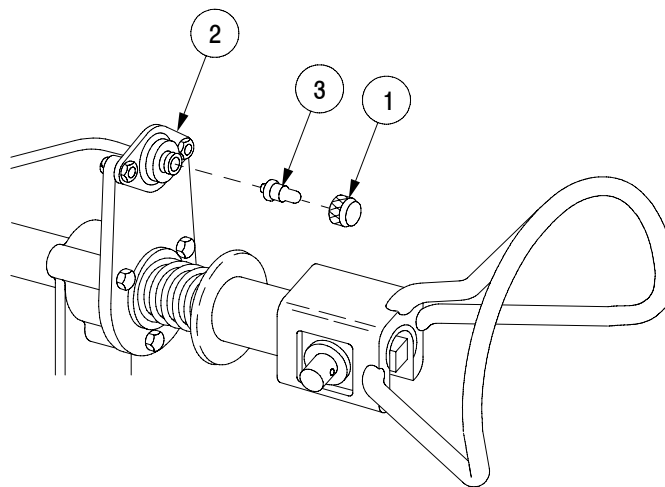
WARNING

Make sure MASTER switch is OFF when working on hull electrical system to avoid electrical shocks and burns.

- 1 Remove lens cap (1) from housing (2).
- 2 Separate LED (3) from lens cap (1).

b. Installation.

- 1 Apply thorough coat of anti-corrosion silicone compound (item 38, Appendix D) to the base of new LED before installing new LED.
- 2 Install LED (3) in lens cap (1).
- 3 Install lens cap (1) in housing (2).



06ph027m

3-7 HULL MAINTENANCE PROCEDURES - CONTINUED

3-7.12 Winterization Heater Control Box Lamp Removal (If Equipped).

a. Removal.

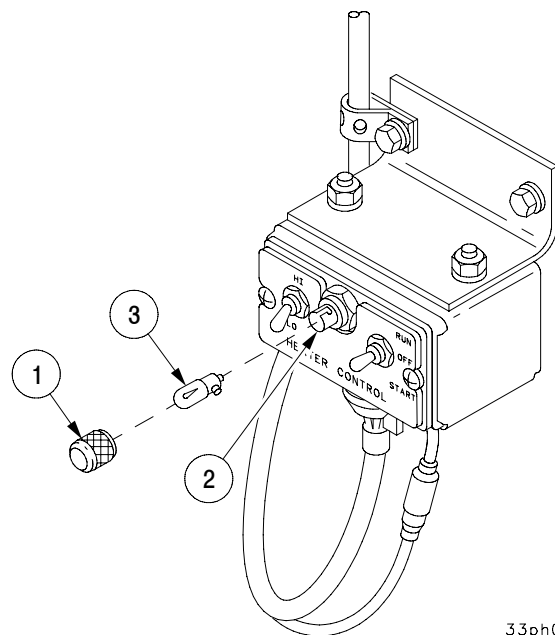
WARNING

Make sure MASTER switch is OFF when working on hull electrical system to avoid electrical shocks and burns.

- 1 Removal lens cap (1) from housing (2).
- 2 Separate LED (3) from lens cap (1).

b. Installation.

- 1 Apply thorough coat of anti-corrosion silicone compound (item 38, Appendix D) to the base of new LED before installing new LED.
- 2 Install LED (3) in lens cap (1).
- 3 Install lens cap (1) in housing (2).



33ph003m

3-7 HULL MAINTENANCE PROCEDURES - CONTINUED

3-7.13 Maintenance of Air Cleaner.

WARNING

If NBC exposure is suspected, all filter media will be handled by personnel wearing full NBC protective equipment.

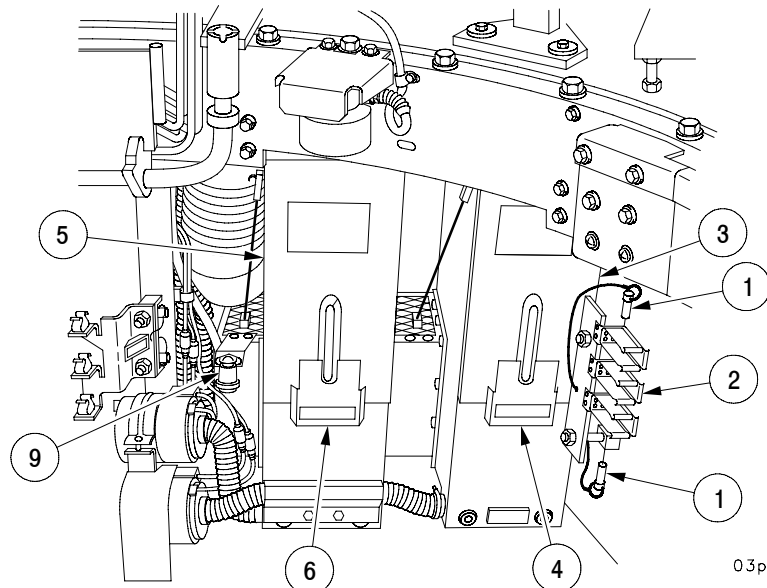
Depending on conditions, the air cleaner must be removed periodically for cleaning. Loss in engine power, an overheating engine or excessive black exhaust may indicate need for more frequent cleaning. If air cleaner indicator shows red, the air cleaner is restricted and filters must be checked.

- a. Release gun tube from travel lock (para 2-8.19).
- b. Release cab traverse lock and traverse cab left until notch in bottom edge of shield under azimuth tachometer is located in front of left air cleaner (para 2-8.21).
- c. Shut off engine.
- d. For access, remove two quick-release pins (1) and bracket (2) with three rifle stowage clips.
- e. Remove right access door (3) by pulling locking latch (4) down and lifting door up.

CAUTION

Do not pull left door up so far as to cause binding and damage to door when removing.

- f. Remove left access door (5) by pulling locking latch (6) down, pulling door up slightly, and sliding door off to right.
- g. Pull locking handles (7) down. Pull OUT.
- h. Pull air filters (8) out from air cleaner.



03ph008m

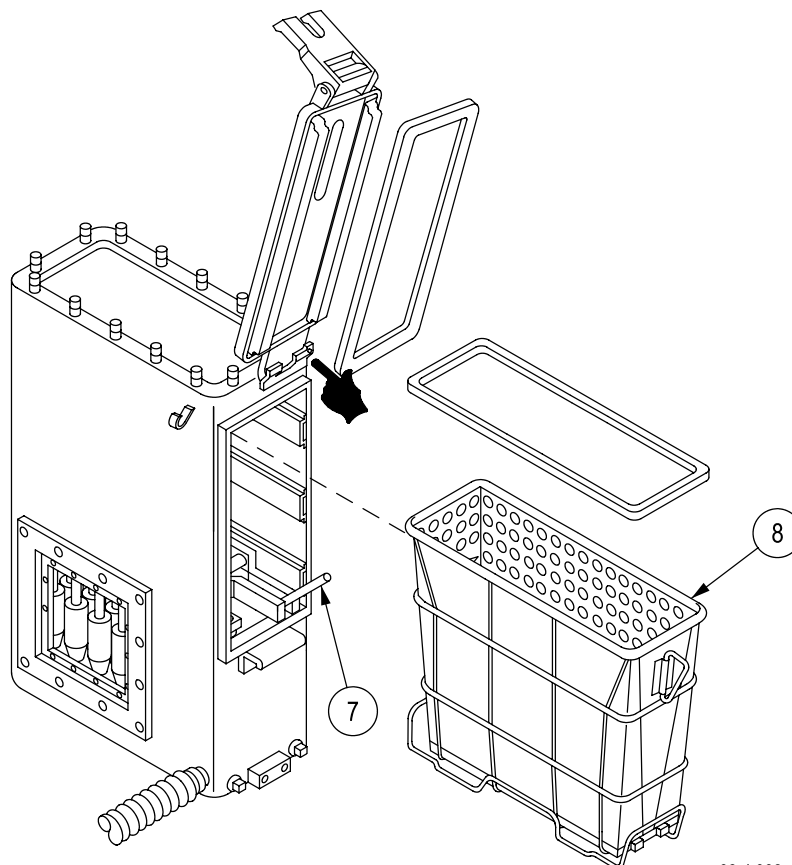
3-7 HULL MAINTENANCE PROCEDURES - CONTINUED

3-7.13 Maintenance of Air Cleaner - Continued

WARNING

Wear eye protection. Particles released from air filters during cleaning could injure eyes.

- i. Clean air filters (8) with compressed air. (Emergency clean by tapping bottom on sides against flat surface. Do not strike open or sealing edge.)
- j. Clean filter compartments.
- k. Replace air filters (8), align with outlet gaskets to assure proper sealing, and secure locking handles (7).
- l. Slide right and left doors (3 and 5) on air cleaner and secure doors by pulling locking latches (4 and 6) down and then up.
- m. Install bracket (2) with three rifle stowage clips using two quick-release pins (1).
- n. Reset air cleaner restriction indicator (9) by pushing UP on reset button (located on bottom of cylinder).
- o. Start engine. If indicator (9) changes to red, notify unit maintenance.
- p. Stow gun tube (para 2-8.20.2).



03ph009m

3-8 ARMAMENT AND CAB MAINTENANCE.

3-8.1 Maintenance of Sighting and Fire Control Equipment.

3-8.1.1 Inspection.

The following illustrations provide armament and cab maintenance instructions.

- a. Whenever inaccuracies, maladjustments, or other conditions affecting the serviceability are evident, the equipment should be referred to unit maintenance.
- b. Check instruments for completeness and appearance. Painted surfaces should be free of wear, scratches, or chipped or loose paint. All graduations, lettering, and indexes must be clear and distinct. There must not be evidence of corrosion on any part.
- c. There must be no dirt, smears, stains, scratches, digs, condensation, fungus growth, chips, fractures, or cement separations visible through optics.

WARNING

Don't point an optical instrument directly at the sun without using a filter. The heat of focused rays may damage eyes and optical elements.

3-8.1.2 Care. Rough or careless handling can decrease the accuracy of the sighting and fire control instruments. The following points will keep your equipment in working order:

- a. Don't force rotation of any knob beyond its stop limit.
- b. Keep instruments as dry as possible. If wet, dry before stowing in carrying case. Condensation may collect on optical parts when temperature of parts is lower than surrounding air. Moisture can be removed by placing instruments in a warm, but not hot place. Heat can cause unequal expansion of parts, resulting in damaged optics.

CAUTION

- Under no circumstances should polishing liquids, pastes, or abrasives be used for polishing lenses and windows.
- For wiping optical parts, use lens paper especially intended for cleaning optical glass. Don't use silicone treated paper that is used for eyeglasses.

3-8 ARMAMENT AND CAB MAINTENANCE - CONTINUED

3-8.1 Maintenance of Sighting and Fire Control Equipment - Continued

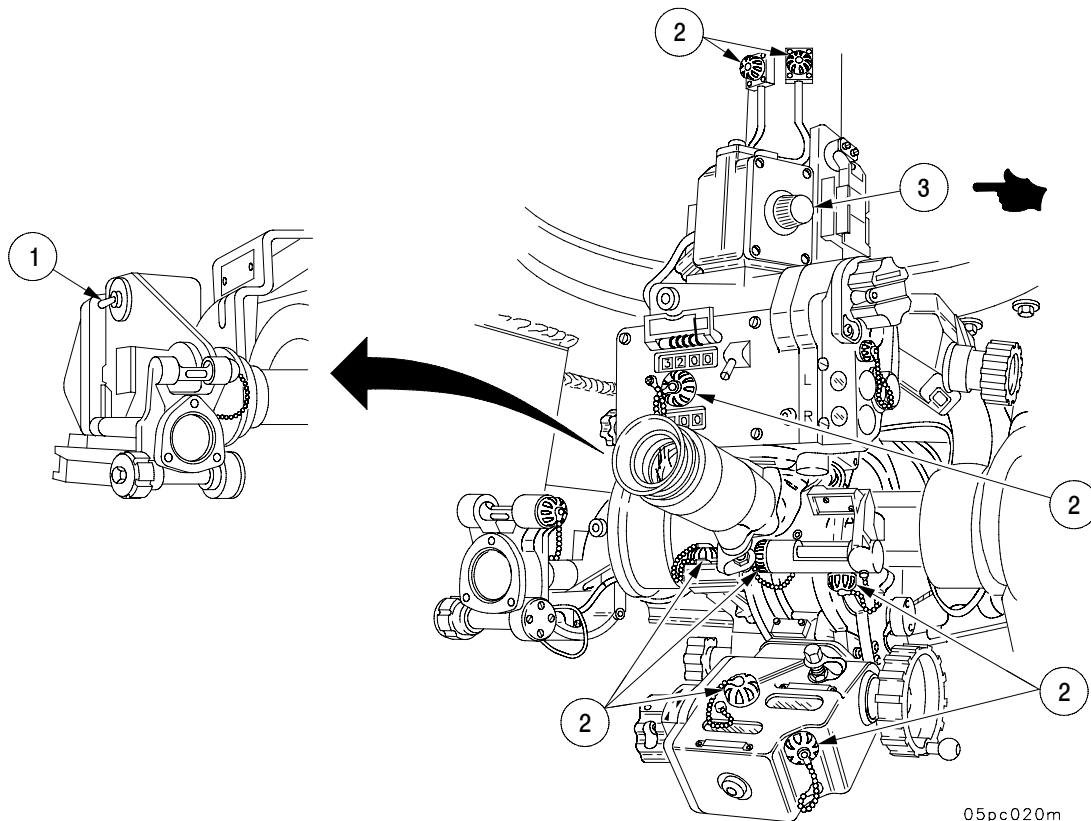
- c. Keep optical parts free of oil and grease. Don't touch lenses or windows with fingers. To remove oil or grease from optical surfaces, apply optical lens cleaning compound (item 9, Appx D). If cleaning compound is not available, and temperature is above freezing, breathe heavily upon glass and wipe off with clean lens paper (item 34, Appx D).
- d. In below-freezing weather, optical surfaces should be cleaned with lens paper (item 34, Appx D) moistened with optical lens cleaning compound (item 9, Appx D). If cleaning compound is not available, use dry lens tissue. Don't breathe on lens. Wipe gently to avoid scratching or removing the lens coating. FM 9-207 contains cold-weather maintenance instructions on fire control materiel.

3-8.1.3 Instrument Lamp.

NOTE

MASTER power must be ON to perform the following procedure.

- a. Operate switch (1) to check operation of lamps (2) on M117A2 PANTEL and M145A1 mount.
- b. Check brightness of reticle lamps with rheostat (3).
- c. Inspect electrical leads and connections for damage or frayed insulation. Properly connect or stow as required.



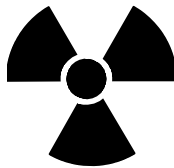
3-8 ARMAMENT AND CAB MAINTENANCE - CONTINUED

3-8.1 Maintenance of Sighting and Fire Control Equipment - Continued

3-8.1.4 M140/M140A1 Alignment Device.

WARNING

RADIATION

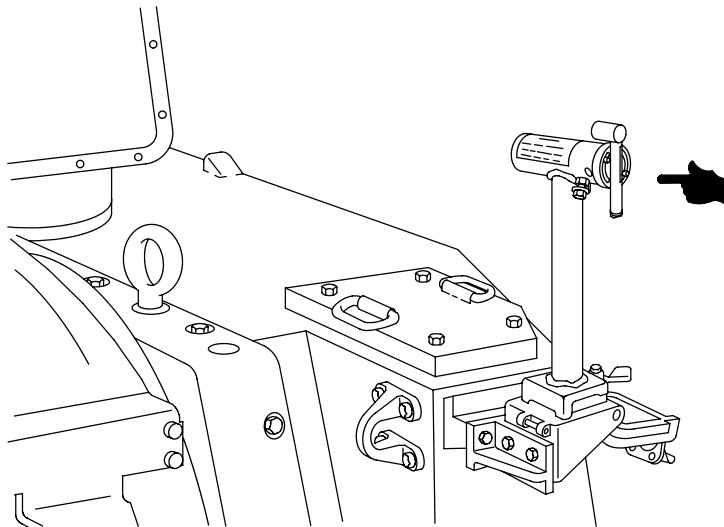


HAZARD

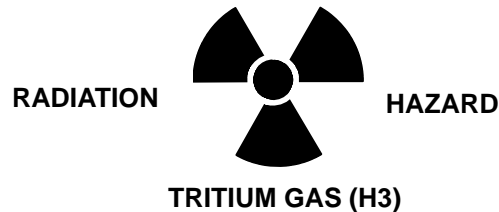
TRITIUM GAS (H3)

The M140 alignment device is radioactively illuminated. Check for presence of illumination in a low light environment. If illumination is not present, notify unit maintenance or local radiation safety officer. Do not attempt to repair.

In a low light environment, check for illumination. If illumination is weak, notify unit maintenance.



05pc021m

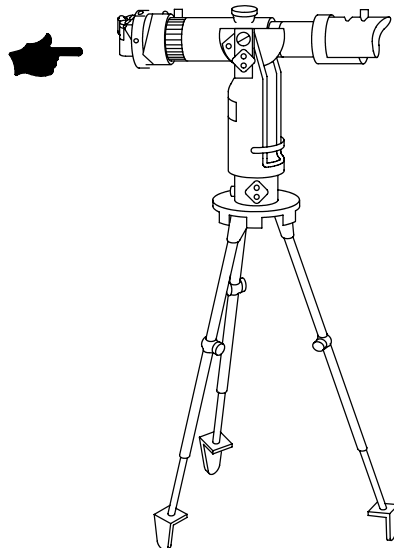
3-8 ARMAMENT AND CAB MAINTENANCE - CONTINUED**3-8.1 Maintenance of Sighting and Fire Control Equipment - Continued****3-8.1.5 Collimator M1A1/M1A2.****WARNING**

The M1A1 collimator is radioactively illuminated. Check for presence of illumination in a low light environment. If illumination is not present, notify unit maintenance or local radiation safety officer. Do not attempt to repair.

CAUTION

The M1A1/M1A2 collimator has an airtight seal. Breaking seal by removing any part will expose internal mechanism to moisture and may eventually impair operation of instrument.

Follow instructions on sighting and fire control for inspection and care of M1A1/M1A2 collimator (para 3-8.1.2).



05pc022m

3-8 ARMAMENT AND CAB MAINTENANCE - CONTINUED

3-8.1 Maintenance of Sighting and Fire Control Equipment - Continued

3-8.1.6 Cleaning Glass on Fire Control Equipment.



- Under no circumstances should polishing liquids, pastes, or abrasives be used for polishing lenses and windows.
- For wiping optical parts, use lens paper especially intended for cleaning optical glass. Don't use silicone treated paper that is used for eyeglasses.

Using lens paper (item 34, Appx D), clean glass on eyepieces and counter windows on all fire control equipment. Clean glass on panoramic telescope ballistic cover.

3-8.2 Adjustment of Elevation System.



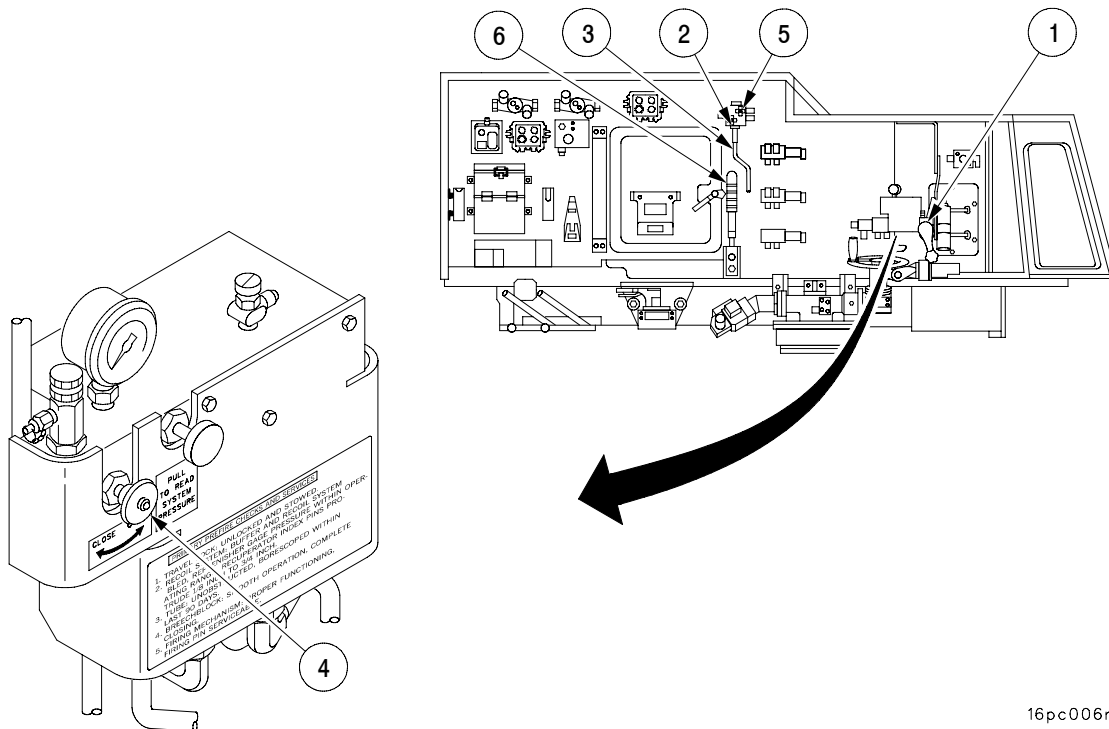
- With the MASTER switch and HYDRAULIC POWER switch ON, the equilibrator valve open (turn left), and the drain valve open (red valve), the complete hydraulic powerpack will be pumped dry, causing internal damage to hydraulic system components.
- Do not operate the system with low fluid levels.

Variations in temperatures can affect elevating or depressing of the cannon. The equilibrator, which counterbalances the weight of the cannon tube, must be adjusted if more effort is required to elevate than depress or vice-versa. Take the following steps to compensate for differences:

3-8 ARMAMENT AND CAB MAINTENANCE - CONTINUED

3-8.2 Adjustment of Elevation System - Continued

- a. Using gunner's quadrant or the AFCS/PDFCS display, set cannon tube elevation at +533 mils.
- b. Using the manual elevation hand pump (1), elevate and depress the cannon tube to determine if the elevate and depress efforts are equal.
- c. If no difference is detected, no adjustment is required.
- d. If the cannon is harder to depress than to elevate, slowly open the system drain valve (2) (red knob). Place a container under the drain tube (3) and bleed out a small quantity of hydraulic oil. Close the drain valve (2) (red knob) and recheck the gun balance (step b). Continue the process until the depress and elevation efforts are equal.
- e. If the cannon is harder to elevate than depress, energize equilibration circuit. Set cannon tube elevation at +533 mils. Turn equilibrator charge valve (4) fully open, then turn back 1/2 turn. Open the equilibrator valve (5) (white knob), turn on hydraulic system power and allow system pressure to equalize (approximately 15 seconds).
- f. Close equilibrator charge valve (4). Close the equilibrator valve (5). Turn hydraulic system power off. Recheck manual elevation and depression in accordance with step b.
- g. If the cannon is still harder to elevate than depress, pump several strokes with the hand pump (6).
- h. Recheck gun balance. Continue process until depression and elevation efforts are equal.
- i. Securely close drain valve (2) (red knob), equilibrator valve (5) (white knob), and equilibrator charge valve (4).
- j. Check hydraulic fluid level in powerpack. If fluid is low, replenish before operating hydraulic system.

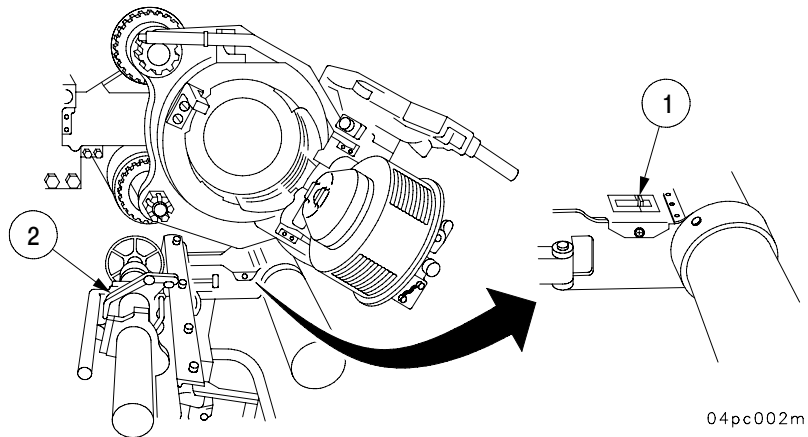


16pc006m

3-8 ARMAMENT AND CAB MAINTENANCE - CONTINUED

3-8.3 Rammer Operational Checks.

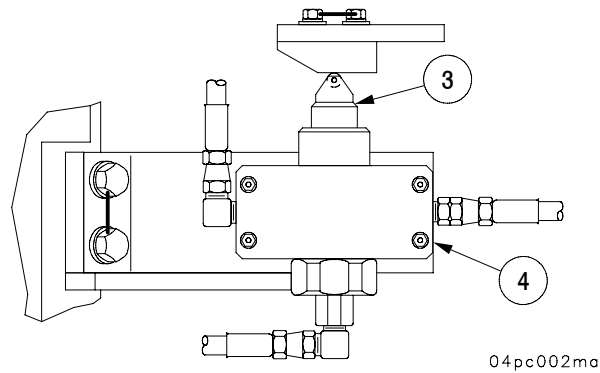
- a. With rammer in stowed position, check to assure that rammer safety pointer (1) is in the black position.
- b. Be sure that latch (2) will latch.
- c. Place rammer in ram position.



WARNING

When exercising rammer, bring the rammer to full extension slowly to avoid seal damage. Seal damage can cause short rounds, and short rounds fall on friendly forces, causing serious injury or death to personnel.

- d. Check to assure rammer locks in ram position and plunger (3) on blocking valve (4) is depressed by cam.



3-8 ARMAMENT AND CAB MAINTENANCE - CONTINUED

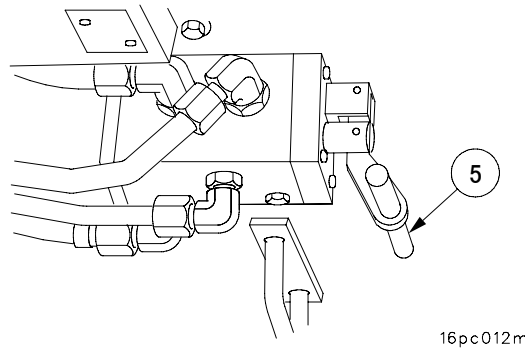
3-8.3 Rammer Operational Checks - Continued

- e. Slowly depress rammer control handle (5) and hold to extend rammer full stroke. Release handle to bring rammer back to original position.

NOTE

If rammer fails to ram, notify unit maintenance.

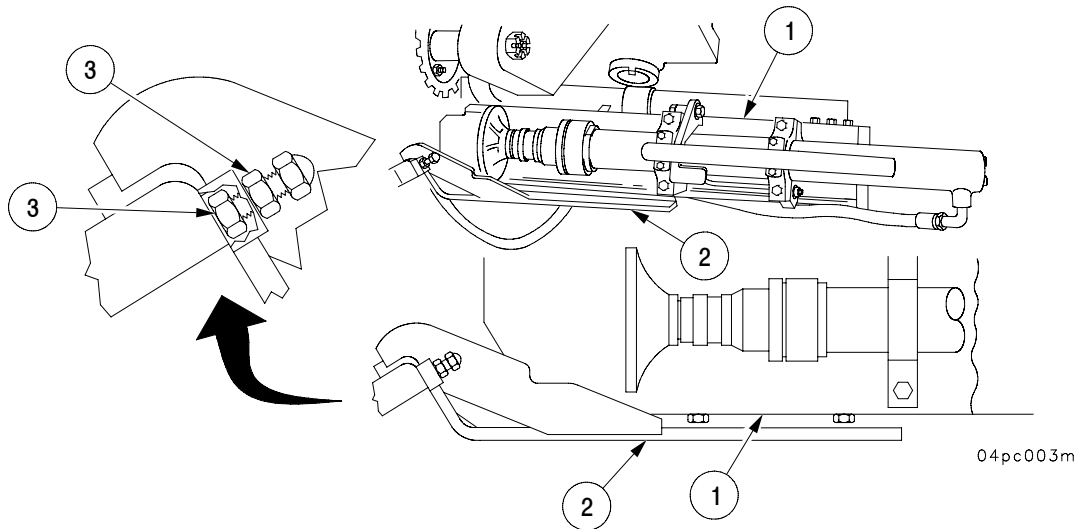
- f. Return rammer to stowed position.



3-8.3.1 Maintenance of Rammer.

If rammer chute (1) contacts stowage bracket (2), adjust position of bracket as follows:

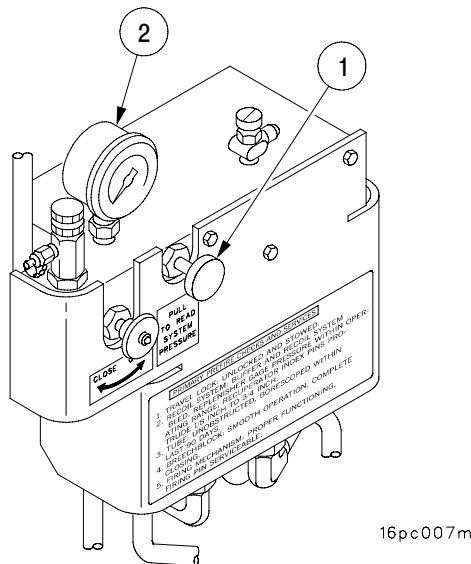
With rammer in stowed position, adjust four nuts (3) until rammer (1) slides freely on bracket (2).



3-8 ARMAMENT AND CAB MAINTENANCE - CONTINUED

3-8.4 Zeroing Pressure.

- a. Park vehicle on level ground, if possible.
- b. Place gun tube in stowed position (para 2-8.20).
- c. Move cab traversing lock handle to locked position (para 2-8.21).
- d. Turn MASTER power ON. Start engine and idle at 1000 at 1100 rpm.
- e. Place hydraulic control box HYDRAULIC POWER ON/OFF switch to ON position. Run hydraulic system approximately 3 minutes.
- f. Pull valve (1) open and release.
- g. Read hydraulic system pressure gage (2)
- h. Place hydraulic control box HYDRAULIC POWER ON/OFF switch to OFF position.
- i. Move COS control handle to left or right stop, release control handle.
- j. Pull valve (1) open and release.
- k. Confirm that pressure on hydraulic pressure gage (2) drops from approximately 1925 psi to 900 psi \pm 50 psi.
- l. Move COS control handle left or right to stop, hold for approximately 5 seconds.
- m. Pull valve (1) open and release.
- n. Needle will move to 0 psi.
- o. If hydraulic pressure is low, use manual operation only. Notify unit maintenance.



3-8.5 Estimating Remaining Round Life of Howitzer Tubes.

- a. Howitzer tubes must be inspected and borescoped within 180 days prior to initial firing and within each 180 day interval when utilized for continuous or recurring firing.

3-8 ARMAMENT AND CAB MAINTENANCE - CONTINUED

3-8.5 Estimating Remaining Round Life of Howitzer Tubes - Continued

WARNING

Do not fire beyond tube life. Gun may explode causing serious injury or death to personnel.

- b. The method for determining remaining life for these tubes is to convert rounds fired to Equivalent Full Charge (EFC) rounds in column "h" of DA Form Data 2408-4 Weapon Record Data. Since the condemnation criteria as listed in the table below are based on EFC rounds fired, the charge for each round fired must be entered on DA Form 2408-4 or electronic DA Form 2408-4, and the total rounds fired by charge must be carried forward to the new data card upon closeout. The electronic DA Form 2408-4 is the preferred medium for recording all firing and non-firing data for artillery tubes and can be accessed from the Army Electronic Product Support (AEPS) home page at <https://aeps.ria.army.mil/aepspublic.cfm>. If you are deployed or otherwise do not have access to the AEPS website, you may still complete and mail a hard copy DA Form 2408-4 to TACOM-Rock Island, ATTN: AMSTA-LC-CIPPA, Rock Island, IL 61299-6000 (Ref. DA PAM 750-8).

NOTE

- Condemnation of the tube is based on fatigue life (2650 EFC) or wear life, whichever occurs first. The wear life is determined from the pullover gage measurement of 6.195 at 41.75 inches from rear face of tube.
- Determine EFC factor from the table below instead of EFC factor and information maintained and displayed in AFCS (para 3-5.10) or PDFCS (para 3-5A.9)

Condemnation Criteria for Howitzer Cannon Tube and Breech Assembly

EFC life of tube	EFC factor	Breech Assembly
2650 EFC	Charge 8 = 1.00 (M203/M203A1)	Original and one retube.
	Charge 5 = 1.00 (M232/M232A1)	
	Charge 4 = 0.25 (M232/M232A1)	
	Charge 3 = 0.10 (M232/M232A1)	
	Charge 7R = 0.25 (M119A1/M119A2)	
	Charge 7W = 0.15 (M4A2)	
	Charge 3-6 = 0.05 (M4A2 and M3A1)	
	Charge 2 = 0.15 (M231)	
	Charge 1 = 0.05 (M231)	

- c. Notify direct support maintenance for borescoping and pullover gage measurements (TM 9-1000-202-14, Evaluation of Cannon Tubes).
- d. For M284 parts replaced after 750 rounds, see table below (this is actual rounds, not EFC).

M284 parts replaced after 750 rounds			
Part Description	Part Number	Part Description	Part Number
Clutch	8765139	Extractor	11578080
Spring Pin	MS16562-133	Spring Pin	MS171572
Follower Assembly	11580153	Plunger (Gear Rack)	11578346
Spring Pin (Knob)	MS16562-129	Spring	MS24585-1063
Detent Plunger	11577203	Spring Pin (Handle)	MS39086-229
Spring	7229627	Retaining Clip	11580634
Spring Pin	MS39086-173		

Note: If necessary, replace above parts prior to scheduled time.

3-8 ARMAMENT AND CAB MAINTENANCE - CONTINUED

3-8.6 Servicing Replenisher.

When replenisher pressure gage (1) reading is low, add hydraulic fluid (Appendix I) to replenisher as follows:

CAUTION

- Make sure M3 oil gun is loaded with hydraulic fluid (item 22, Appx D) and not lubricating oil.
- Proper bleeding of air from recoil mechanism is required before firing weapon to prevent damage to breech components of cannon assembly.

NOTE

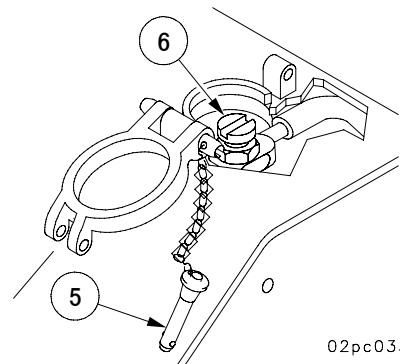
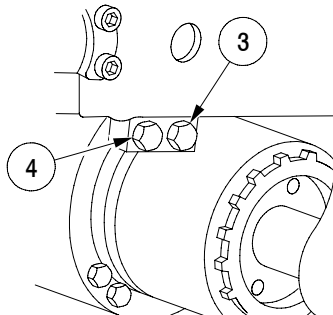
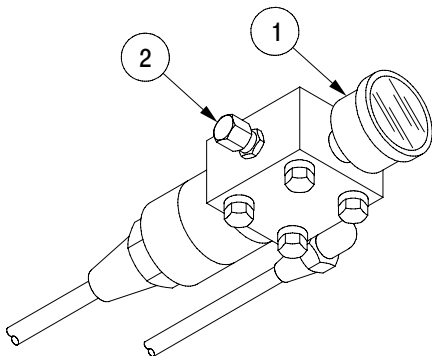
Replenisher pressure gage reading (before firing) should be 17-24 psi (117 to 165 kPa). Pressure may increase during normal firing due to heat expansion. Safe-to-fire range is 17-50 psi (117 to 345 kPa).

- a. Place tube at zero elevation.

NOTE

The replenisher can be filled using M3 oil gun (step b) or using hand pump assembly (step c).

- b. Fill replenisher at check/fill valve (2) using M3 oil gun until replenisher pressure gage (1) reads 17 to 24 psi (117 to 165 kPa).
- c. Connect hand pump input hose to drum of hydraulic fluid (OHT) (item 22, Appx D). Connect recuperator/replenisher service hose assembly to output hose of hand pump. Connect opposite end of recuperator/replenisher hose assembly to check/fill valve (2) and fill replenisher until replenisher pressure gage (1) reads 17 to 24 psi (117 to 165 kPa).
- d. Depress weapon to -50 mils; loosen right hand bleed plug (3) to bleed trapped air from rear of buffer. When air-free fluid flows, tighten plug.
- e. Elevate weapon to +50 mils; loosen left hand plug (4) to bleed trapped air from front of buffer. When air-free fluid flows, tighten plug.
- f. Elevate weapon to 180 mils; place container under transfer tube below ballistic shield. Remove quick-release pin (5) and open cover.
- g. Open bleeder valve (6) (located on upper recoil cylinder). When air free fluid can be seen through translucent transfer tube, close valve (6).
- h. Check replenisher pressure gage (1) for 17 to 24 psi (117 to 165 kPa).
- i. If low, add fluid to correct operating range; if overfilled, drain.
- j. Rebleed system until all air is bled from replenisher and mount. Check for fluid leaks.



02pc033m

3-8 ARMAMENT AND CAB MAINTENANCE - CONTINUED

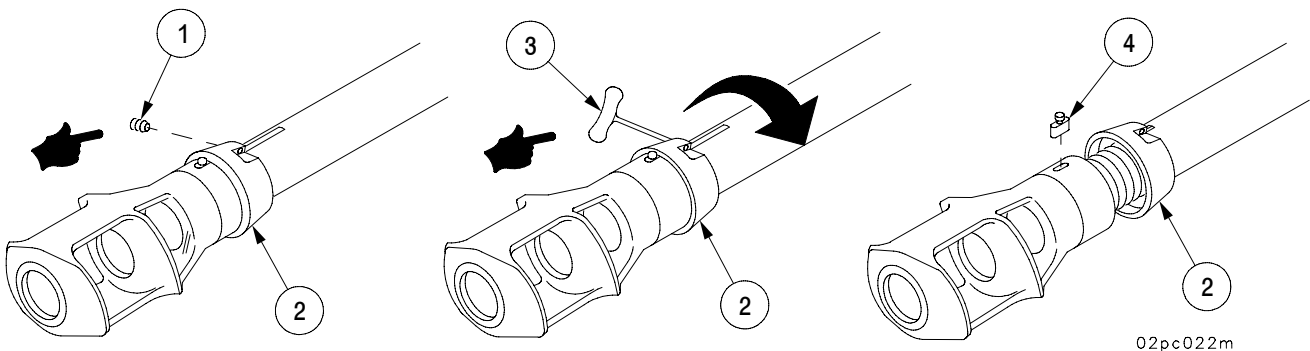
3-8.7 Removing/Installing Muzzle Brake.

WARNING

Muzzle brake weighs approximately 350 pounds (158.9 kg). Use caution to avoid injury to personnel.

NOTE

- Visually inspect muzzle brake. If any cracks exceed 1 inch (25.4 mm) in length, notify unit maintenance.
- There are two setscrews on the thrust collar. One is staked in place and should not be removed. It holds the ball lock device in place. The second is not staked. Removal of this setscrew allows access to release the ball lock.
 - a. Remove setscrew (1) from thrust collar (2).
 - b. Insert T-handle (3) into setscrew hole. Turn handle to engage with threads. Continue turning handle to depress ball and spring. If T-handle is not available, a screwdriver can be used to depress ball.
 - c. With ball depressed, screw thrust collar (2) rearward to uncover key (4). (Thrust collar (2) does not have to be removed unless bore evacuator is to be removed.)



3-8 ARMAMENT AND CAB MAINTENANCE - CONTINUED

3-8.7 Removing/Installing Muzzle Brake - Continued

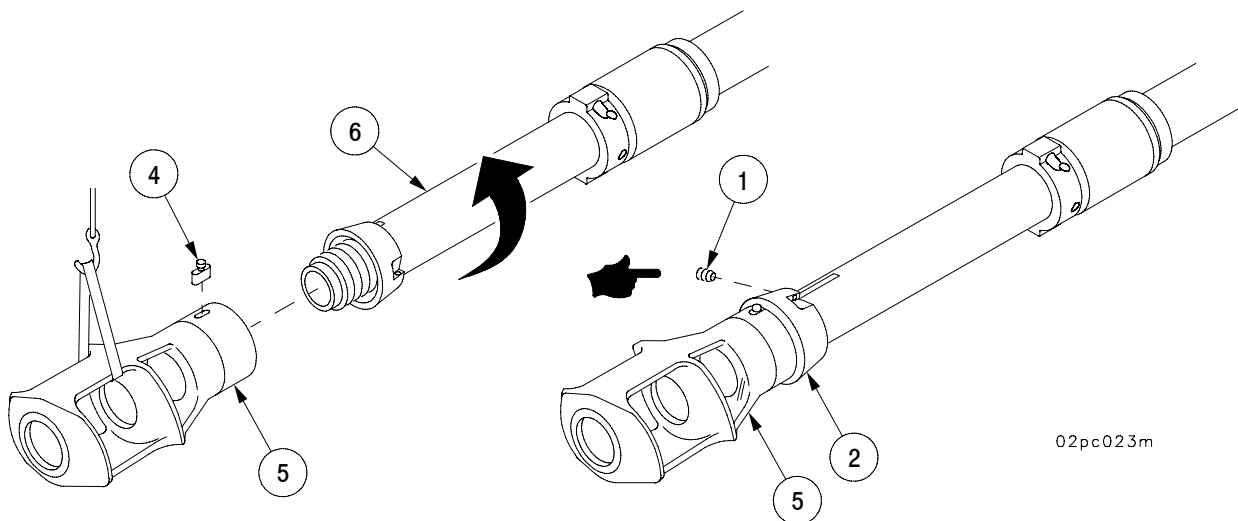
WARNING

Muzzle brake weighs approximately 350 pounds (158.9 kg). Use caution to avoid injury to personnel.

NOTE

If ball is stuck or spring appears broken, notify unit maintenance.

- d. Remove key (4) from muzzle brake (5) and cannon tube (6).
- e. Unscrew muzzle brake (5) until threads in muzzle brake (5) just clear threads on cannon tube (6). Attach sling and hoist to muzzle brake (5) and remove muzzle brake (5) from cannon tube (6).
- f. Before installing muzzle brake (5), lubricate per Appendix I.
- g. Using sling and hoist, raise muzzle brake (5) to cannon tube (6). Screw muzzle brake (5) on threads and align keyway in muzzle brake (5) to keyway on cannon tube (6). Insert key (4) in aligned keyways. Screw thrust collar (2) forward against muzzle brake (5), and install setscrew (1). Notify unit maintenance for torquing.



3-8 ARMAMENT AND CAB MAINTENANCE - CONTINUED

3-8.8 Removing/Installing Bore Evacuator Assembly.

- a. Remove muzzle brake thrust collar (1) from cannon tube (2).

WARNING

- Bore evacuator assembly weights approximately 200 pounds. Use caution to avoid injury to personnel.
- Failure to maintain bore evacuator properly will expose Crew to air contaminated with carbon monoxide, producing symptoms of headache, dizziness, loss of muscular control, apparent drowsiness, and coma. Permanent brain damage and death can result from severe exposure.

NOTE

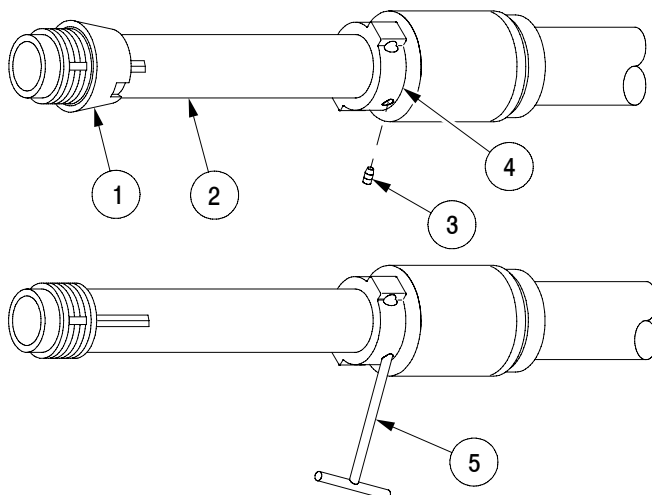
There are two setscrews at the muzzle end of the bore evacuator assembly. One is staked in place and should not be removed. It holds the ball lock and spring in place. The second screw is not staked. Removal of this screw will allow release of the ball lock device.

- b. Remove setscrew (3) from bore evacuator thrust collar assembly (4).

NOTE

If ball is stuck or spring appears broken, notify unit maintenance.

- c. Insert T-handle (5) into setscrew hole. Turn T-handle (5) to engage with threads. Continue turning to depress ball and spring. If T-handle is not available, a screwdriver can be used to depress ball.



02pc025m

3-8 ARMAMENT AND CAB MAINTENANCE - CONTINUED

3-8.8 Removing/Installing Bore Evacuator Assembly - Continued

- d. Insert pry bar (6) into hole (7) and, with ball depressed, unscrew bore evacuator thrust collar assembly (4) and remove.



- Ensure main reservoir is centered when moving over gun tube threads to prevent damage or dislodging preformed packings from grooves of reservoir.
 - Significant amount of moisture might have accumulated in the main reservoir.
- e. Using sling and hoist pull main reservoir (8) forward.

NOTE

It may be necessary to use wooden block and hammer to tap preresevoir toward muzzle brake end for removal.

- f. Remove preresevoir (9).



Upon visual inspection, replace ring valve or valve balls if the valve balls appear non-spherical or severely deformed or cracked, or if one or more balls are missing, or if valve ring is cracked. Failure to comply with this requirement could result in failure of the ring valve, and thus flashback. Notify unit maintenance for replacement.

NOTE

Use rag (item 37, Appx D) to catch nine valve balls when sliding valve ring forward.

- g. Remove ring valve (10) and nine valve balls (11) from preresevoir (9).
- h. Inspect O-rings (preformed packings), (12) on inner groove of main reservoir (8) and (13 and 14) on inner and outer groove of preresevoir (9) for damage or missing. Inspect for gas wash and soot past O-rings. If any of these conditions exist, notify unit maintenance for replacement of O-rings.

3-8 ARMAMENT AND CAB MAINTENANCE - CONTINUED

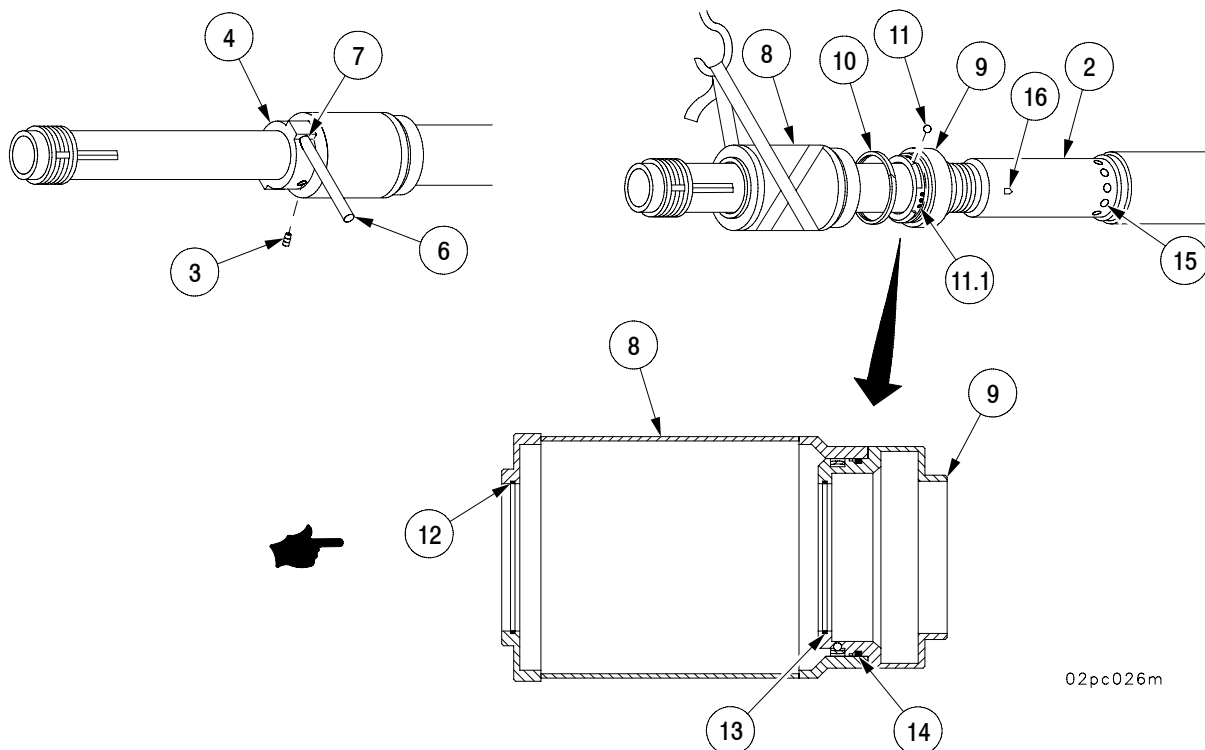
3-8.8 Removing/Installing Bore Evacuator Assembly - Continued

- i. Before installing main reservoir (8) and prereservoir (9), thoroughly clean and lubricate inside of main reservoir (8) and prereservoir (9). Clean unpainted tube surface (2), nine evacuator ball valves (11), nine prereservoir orifices (11.1), 10 evacuator orifices (15), and three metering holes (16). Refer to Appendix I.

CAUTION

The prereservoir and main reservoir should be concentric with center of tube when installing to prevent disengaging O-rings (preformed packing) from groove when sliding over threads. Apply a thick coating of grease (item 18, Appx D) over threads to prevent damage to preformed packing before installing reservoirs.

- j. Install prereservoir (9) on cannon tube (2).
- k. Using a sling and hoist, slide main reservoir (8) onto prereservoir (9).
- l. Screw bore evacuator thrust collar assembly (4) back into position.
- m. Install setscrew (3). Notify unit maintenance to torque setscrew to 30-35 ft-lb (41-47 N•m).



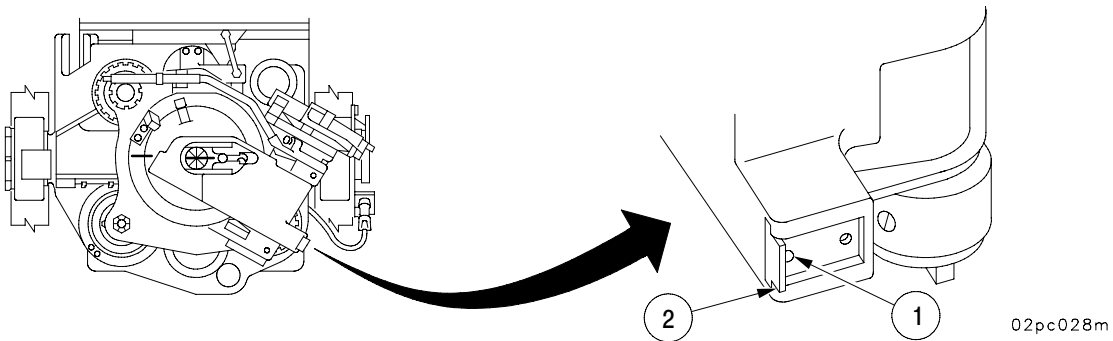
3-8 ARMAMENT AND CAB MAINTENANCE - CONTINUED

3-8.9 Disassembly of Breech Mechanism.

WARNING

Only remove breechblock operator rack springs when breechblock is in closed position. Springs are under heavy pressure and may cause serious injury to personnel.

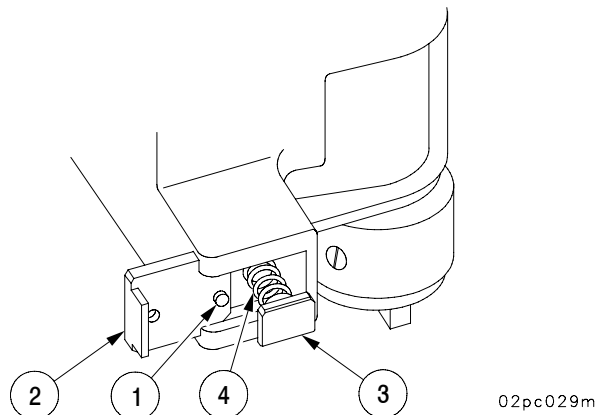
- a. Depress plunger (1) with punch and slide rack plate (2) rearward until rack plate disengages from plunger.



WARNING

When rack plate is moved rearward, stop plate and rack springs will pop out of carrier assembly. A clean rag should be held over the stop plate as rack plate is driven rearward to catch stop plate and rack springs.

- b. Drive rack plate (2) rearward with hammer until plunger (1) engages in second hole in rack plate. Catch stop plate (3) and two rack springs (4) in clean rag.



3-8 ARMAMENT AND CAB MAINTENANCE - CONTINUED

3-8.9 Disassembly of Breech Mechanism - Continued

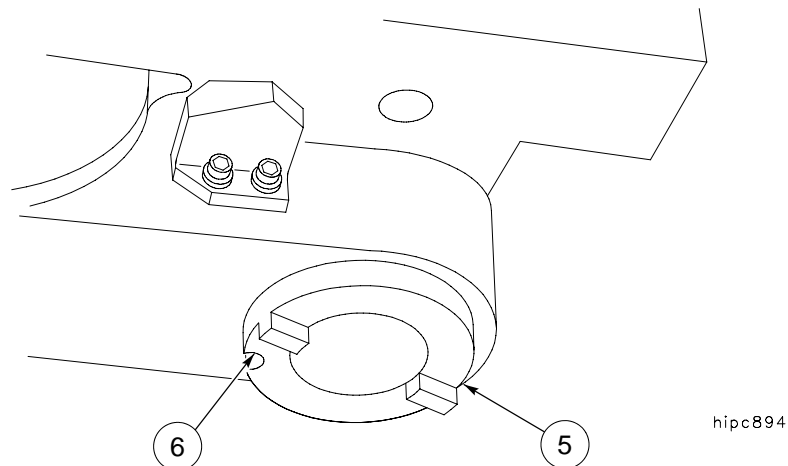
WARNING

Make sure breechblock is in closed position. Springs of breechblock are under 130 lb-ft (176 N•m) load pressure. Use extreme care to avoid serious injury to personnel when removing components of the breech mechanism.

NOTE

Adjuster has lugs for an adjustable wrench or spanner wrench.

- c. Release pre-load on closing spring. Apply clockwise pressure on adjuster (5) and depress adjuster plunger (6). Rotate adjuster slowly counterclockwise until all torque has been relieved.



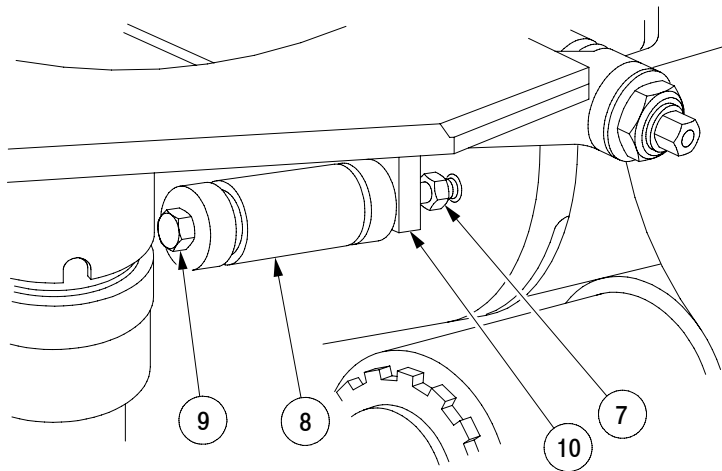
3-8 ARMAMENT AND CAB MAINTENANCE - CONTINUED

3-8.9 Disassembly of Breech Mechanism - Continued

NOTE

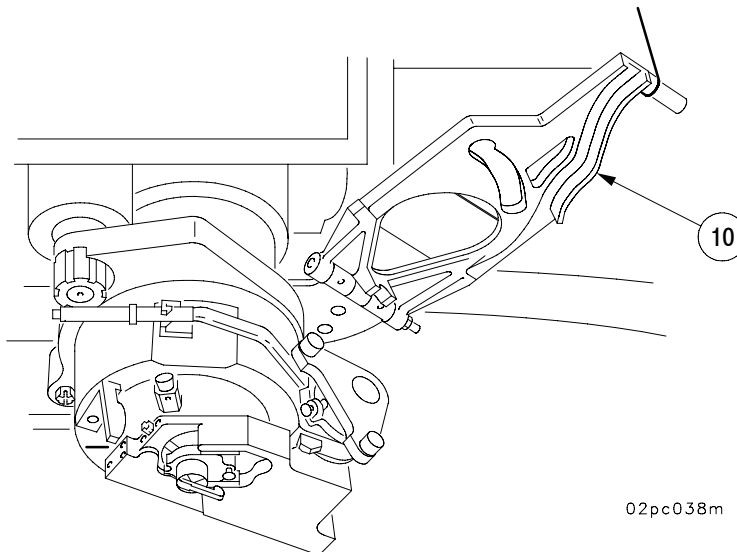
Elevate cannon to 175 mils for accessibility.

- d. Loosen jamnut (7) of cam damper assembly (8).
- e. Loosen screw (9) until tension on cam damper assembly (8) has been released.
- f. Remove screw (9), jamnut (7), and cam damper assembly (8) from breech mechanism operating cam (10).



02pc035m

- g. Raise breech mechanism operating cam (10) and secure it to cab roof with strap.



02pc038m

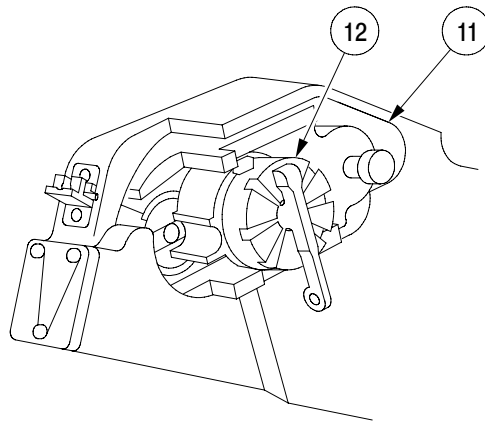
3-8 ARMAMENT AND CAB MAINTENANCE - CONTINUED

3-8.9 Disassembly of Breech Mechanism - Continued

CAUTION

A damaged retainer may “pop out” of its slot when firing the M203 charge and wedge itself between the firing mechanism and the cavity in the firing block. This will prevent the firing mechanism from being removed (pushed in and rotated for disengagement). If this condition exists, notify unit maintenance.

- h. Move firing block assembly (11) to center position. Push firing mechanism (12) into firing block assembly (11) and rotate clockwise to remove.



02pc041m

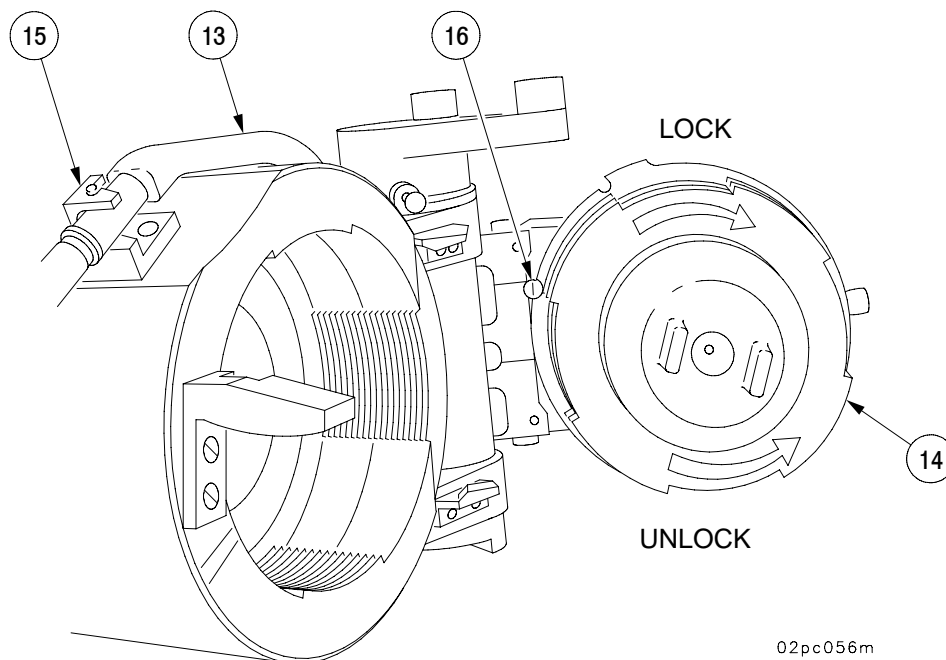
3-8 ARMAMENT AND CAB MAINTENANCE - CONTINUED

3-8.9 Disassembly of Breech Mechanism - Continued

CAUTION

Since all spring tension has been released, be extra careful when opening breechblock. Use operating handle and support breechblock as it is being opened. Otherwise, carrier will slam open and may be damaged.

- i. With one soldier supporting breechblock (14) use breech operating handle (13) to open breechblock (14).
- j. Return breech operating handle (13) to stop (15).
- k. Depress carrier detent plunger (16) with drive punch and rotate breechblock (14) counterclockwise to the UNLOCK position.



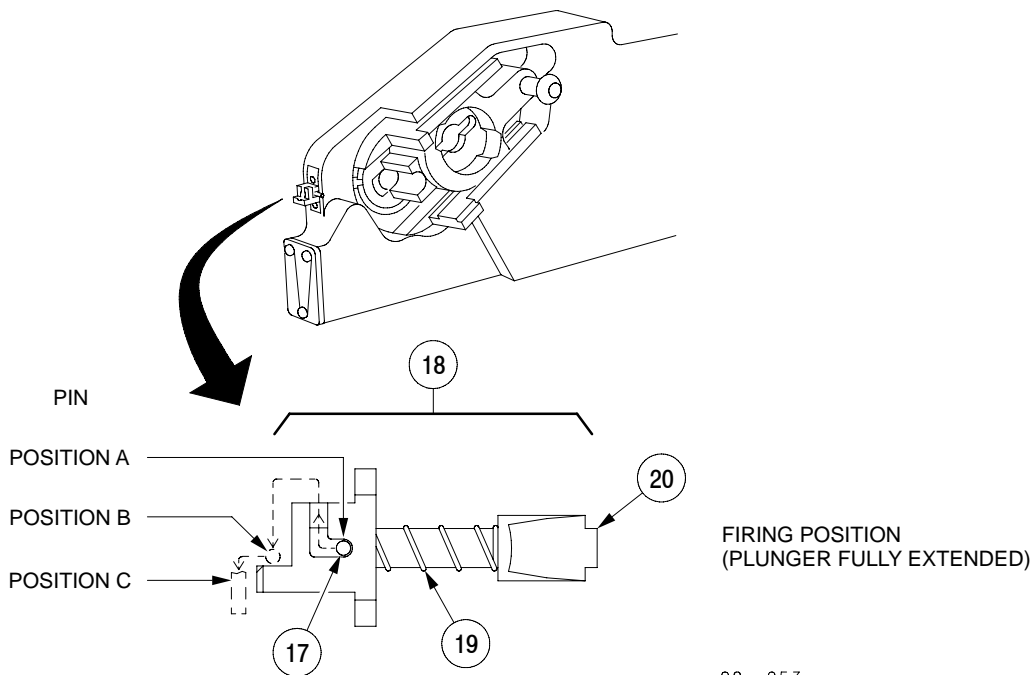
02pc056m

3-8 ARMAMENT AND CAB MAINTENANCE - CONTINUED

3-8.9 Disassembly of Breech Mechanism - Continued

NOTE

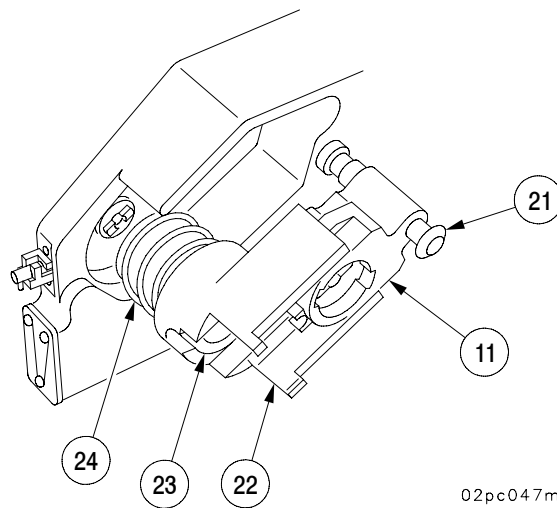
- When plunger is pulled out and locked in position B, the obturator nut and spindle assembly can be removed. If the firing block assembly and housing are being removed, move plunger assembly to position C.
 - If plunger cannot be easily pulled out, a screw driver or pry tool can be inserted between plunger tip and spindle nut. Applying leverage will free plunger.
- l. Move pin (17), located on top of plunger assembly (18) against spring (19), from position A to position B. The pin, in position B, now allows for removal of the spindle nut. Once the spindle nut is removed, the obturator group can be inspected and removed if necessary. This position will allow for removal of the obturator group without the firing housing and firing block detachment.
- m. In order to remove the firing mechanism housing and firing mechanism block, move the pin (17) to position C. The plunger shaft (20) is now clear of the firing mechanism housing which will facilitate the firing train's (firing mechanism housing and firing mechanism block) removal. NOTE: Position C allows for removal of both the obturator group and firing train (firing mechanism housing and firing mechanism block).



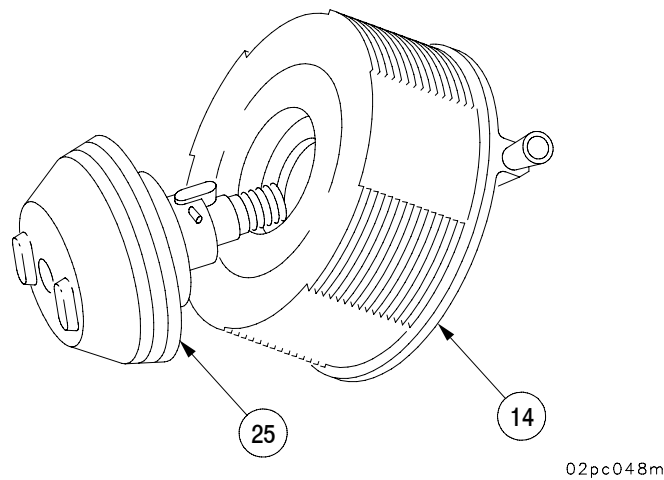
3-8 ARMAMENT AND CAB MAINTENANCE - CONTINUED

3-8.9 Disassembly of Breech Mechanism - Continued

- n. Pull out on follower knob (21) and slide firing block assembly (11) to extreme right position.
- o. Support firing block assembly (11) and firing mechanism housing (22) while removing obturator nut (23) with spanner wrench.
- p. Remove firing block assembly (11), firing mechanism housing (22) and obturator spindle spring (24).



- q. Remove obturator group (25) from breechblock (14).



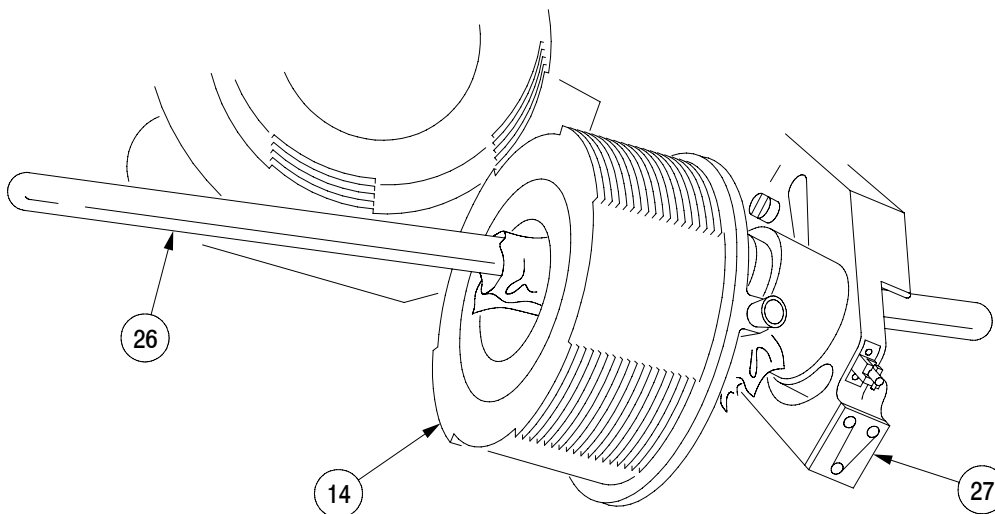
3-8 ARMAMENT AND CAB MAINTENANCE - CONTINUED

3-8.9 Disassembly of Breech Mechanism - Continued

WARNING

Breechblock weighs approximately 125 lbs (57 kg). Two persons are needed to remove the breechblock in order to prevent injury to personnel. Insert cleaning staff wrapped with rags through breechblock and carrier to prevent breechblock from sliding and injury to personnel.

- r. To remove breechblock (14), position 24 inch cleaning staff (26) wrapped with rags through spindle hole of breechblock and carrier assembly (27).
- s. While supporting both ends of cleaning staff (26), lift and slide breechblock (14) off carrier assembly (27).



02pc044m

3-8 ARMAMENT AND CAB MAINTENANCE - CONTINUED

3-8.9 Disassembly of Breech Mechanism - Continued

t. Disassemble firing mechanism (12) as follows:

- (1) Place firing mechanism (12) on solid flat surface with follower (28) end up.

NOTE

- Disassembly will require using the M18 fuze setter.
- A small screwdriver or pointed object will be required to remove lever pin.

- (2) Place fuzesetter wrench over follower (28) and depress follower until pin (29) can be removed from lever (30) and yoke (31). Remove pin and lever.

WARNING

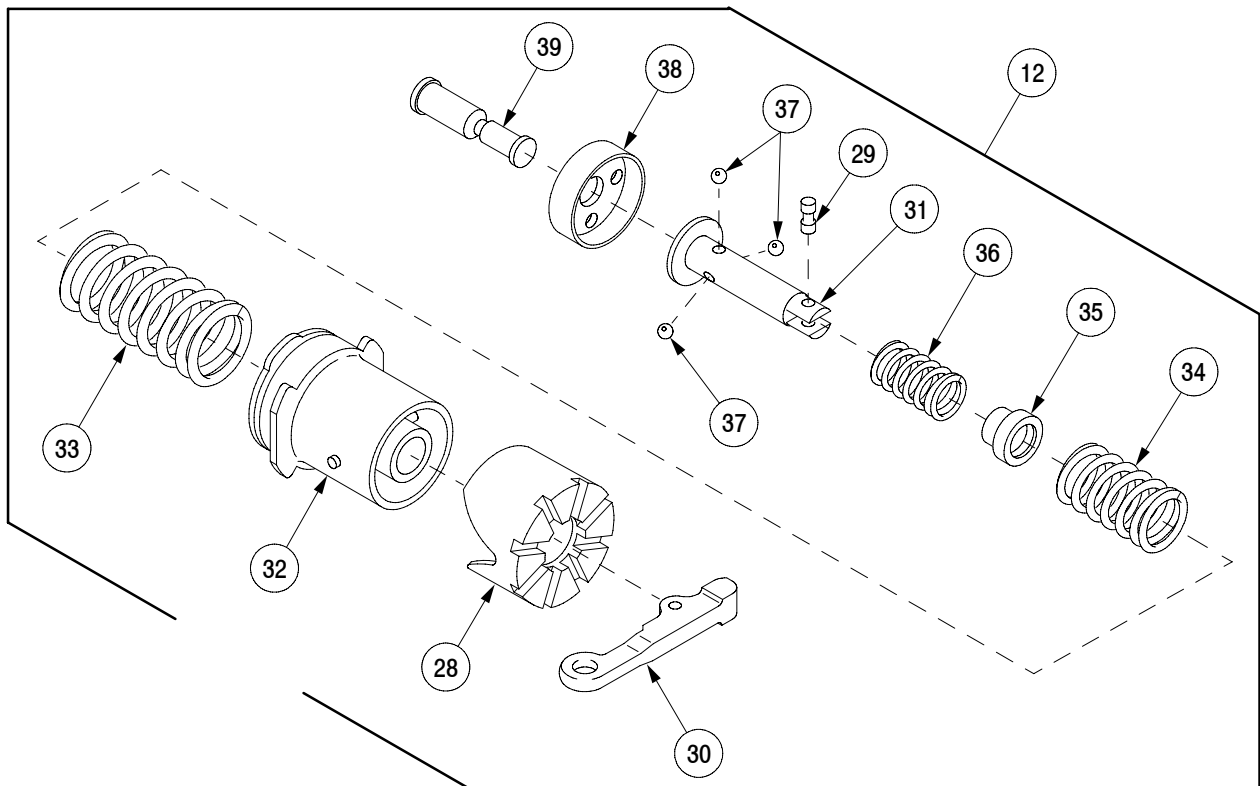
Springs are under compression. Raise fuzesetter wrench, follower, and case assembly slowly or personnel injury may result.

- (3) Raise fuzesetter wrench and remove fuzesetter wrench, follower (28), and case assembly (32).

NOTE

Firing mechanism contains three balls. Be careful that balls are not lost during disassembly.

- (4) Remove spring (33), spring (34), sleeve (35), and spring (36).
- (5) Separate yoke (31), three balls (37), cup (38), and hammer (39).



02pc043m

3-8 ARMAMENT AND CAB MAINTENANCE - CONTINUED

3-8.9 Disassembly of Breech Mechanism - Continued

CAUTION

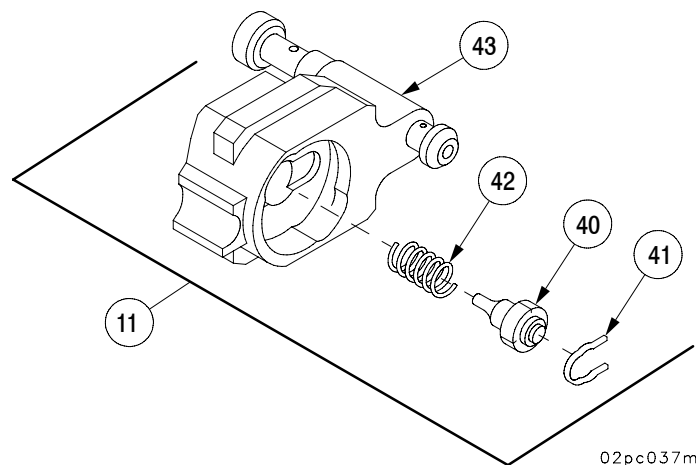
The firing pin is under pressure and can spring out when retainer is moved back. Hold firing pin during disassembly to prevent loss or damage.

- u. Disassemble firing block assembly (11) as follows:
 - (1) Depress firing pin (40) and remove retainer (41) away from firing pin.
 - (2) Remove firing pin (40), spring (42), and retainer (41) from firing block (43).

NOTE

If firing pin does not "pop out" when retainer is removed, the firing pin or block may have been burred by the retainer. (If unsuccessful, notify unit maintenance). Firing pin or block may require deburring prior to reassembly. If firing pin is bent, broken, or severely burred, replace with onboard spare firing pin, and turn in old pin to unit maintenance.

- (3) Inspect spring (42). If broken, kinked, or worn, notify unit maintenance.
- (4) Inspect retainer (41) for damage. If broken, distorted, or kinked, replace with onboard spare retainer, and turn in old retainer to unit maintenance.



3-8 ARMAMENT AND CAB MAINTENANCE - CONTINUED

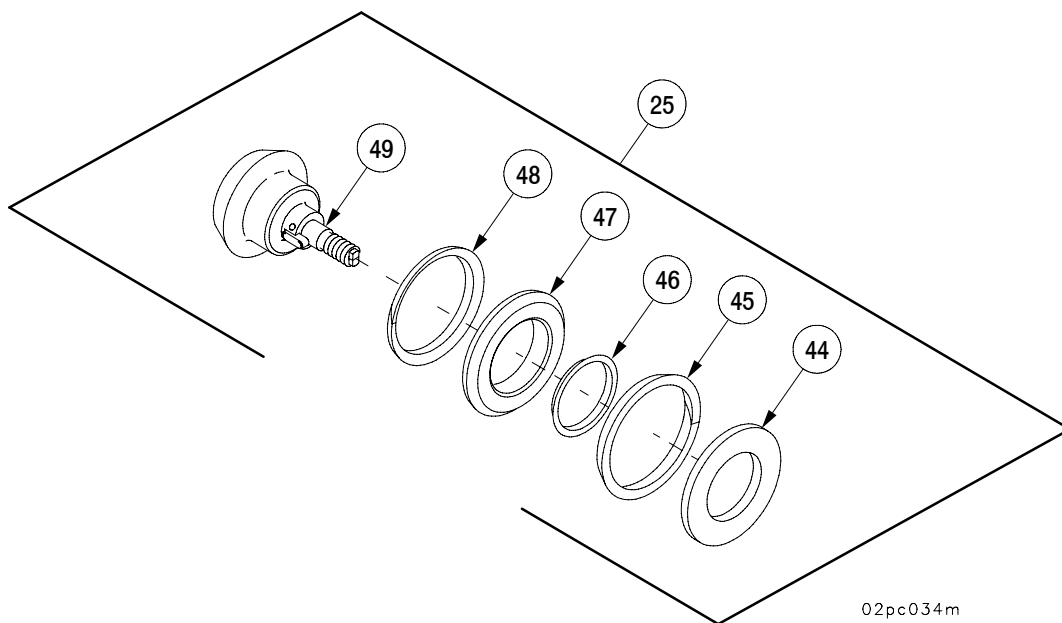
3-8.9 Disassembly of Breech Mechanism - Continued

- v. Disassemble obturator group (25) to clean and inspect as follows:
 - (1) Remove obturator disk (44), rear split ring (45), inner ring (46), obturator pad (47), and front split ring (48) from spindle assembly (49).

CAUTION

Do not apply oil or cleaning solvent to pad. Clean with soap and water.

- (2) Clean obturator pad (47) with soap and water. Dry with clean rags.

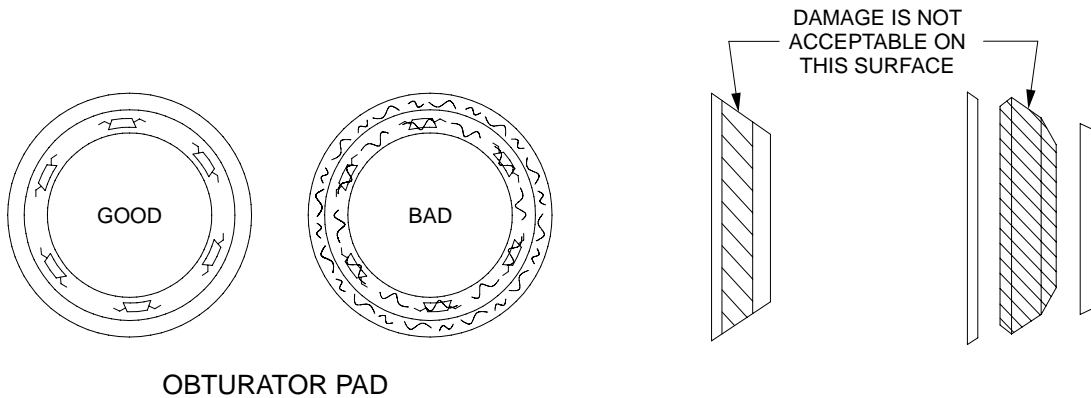


3-8 ARMAMENT AND CAB MAINTENANCE - CONTINUED

3-8.9 Disassembly of Breech Mechanism - Continued

(3) Inspect obturator group components as follows:

- (a) Inspect obturator pad (47) for evidence of leakage past sealing surfaces. Replace obturator pad if sliced, cracked, chipped, or damaged.

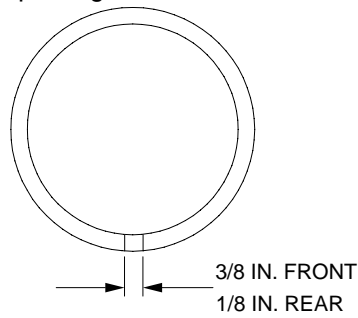


OBTURATOR PAD

02pc040m

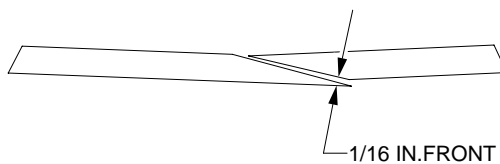
(b) Inspect split rings (45 and 48) for deformed shape.

- Maximum allowable circular spread: 3/8 inch front split ring; 1/8 inch rear split ring.



02pc040ma

- Maximum allowable gap at split: 1/16 inch front split ring; no gap allowed, rear split ring.



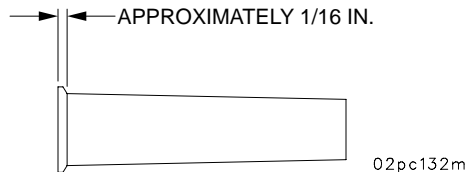
02pc040mb

3-8 ARMAMENT AND CAB MAINTENANCE - CONTINUED

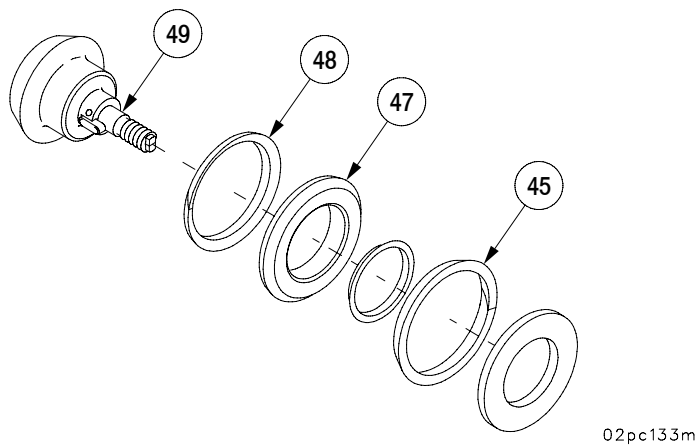
3-8.9 Disassembly of Breech Mechanism - Continued

NOTE

The lip of the M82 primer case measures approximately 1/16 inch.



- (c) Gouges in surface between obturator pad (47) and split ring mating surface are normal and will not hinder operation, unless gouging is over 50 percent of the obturator pad.
- (d) If there is evidence of leakage past breeching assembly, notify unit maintenance.
- (e) Inspect obturator spindle assembly (49) and split rings (45 and 48) for burrs or cracks.
 - If burrs or cracks are present in the front split ring, or if deformed in excess of criteria in para 3-8.9v.(3), replace.
 - If burrs or cracks are present in the rear split ring, or if deformed in excess of criteria in para 3-8.9v.(3), notify unit maintenance.



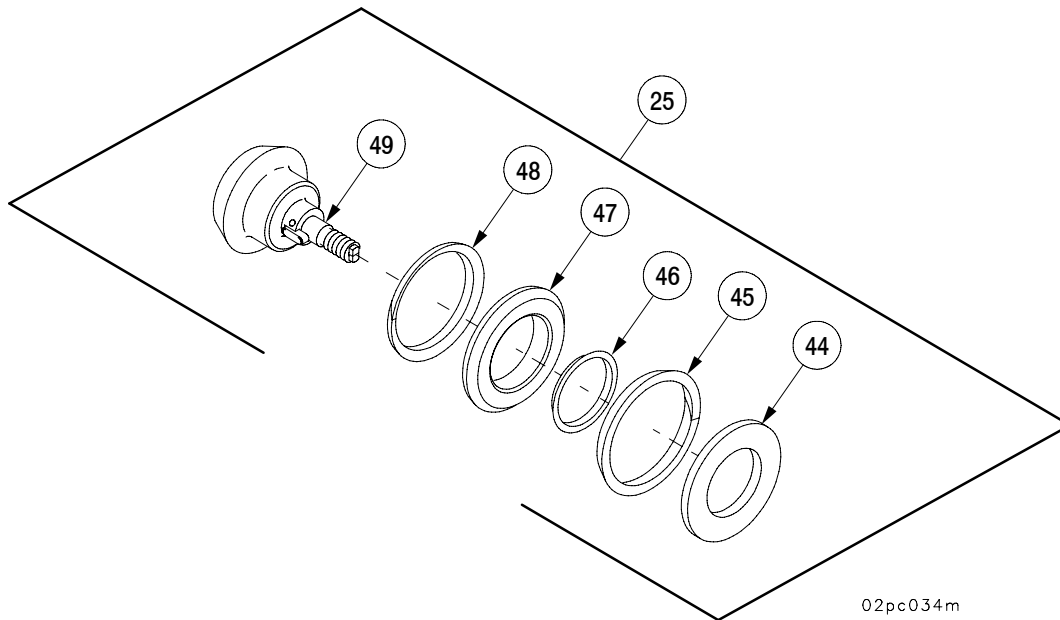
3-8 ARMAMENT AND CAB MAINTENANCE - CONTINUED

3-8.10 Assembly of Breech Mechanism

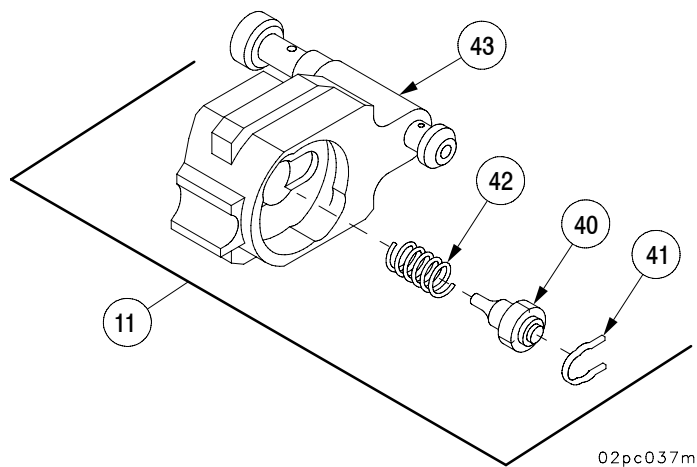
NOTE

Rear split ring and front split ring must be installed with splits located 180° apart.

- a. Install the front split ring (48), obturator pad (47), inner ring (46), rear split ring (45), and obturator disk (44) on spindle assembly (49). Make sure that split rings (45 and 48) are aligned 180° apart as shown.



- b. Assemble firing block assembly (11) as follows:
 - (1) Install spring (42) and firing pin (40) in firing block (43).
 - (2) Depress firing pin (40) and install retainer (41).



3-8 ARMAMENT AND CAB MAINTENANCE - CONTINUED

3-8.10 Assembly of Breech Mechanism - Continued

c. Assemble firing mechanism (12) as follows:

- (1) Clean and lubricate firing mechanism components before assembly (Appendix I).
- (2) Install cup (38) on hammer (39).
- (3) Install yoke (31) on hammer (39).
- (4) Align three holes in yoke (31) with groove in hammer (39).

NOTE

Apply GAA (item 18, Appx D) to holes in yoke prior to installing balls for ease of assembly.

- (5) Install three balls (37) into holes in yoke (31).
- (6) Install spring (36) and sleeve (35) on yoke (31).
- (7) Slide sleeve (35) against spring (36) until spring is fully compressed against cup (38).
- (8) Pull hammer (39) from yoke (31) until sleeve (35) locks in place.

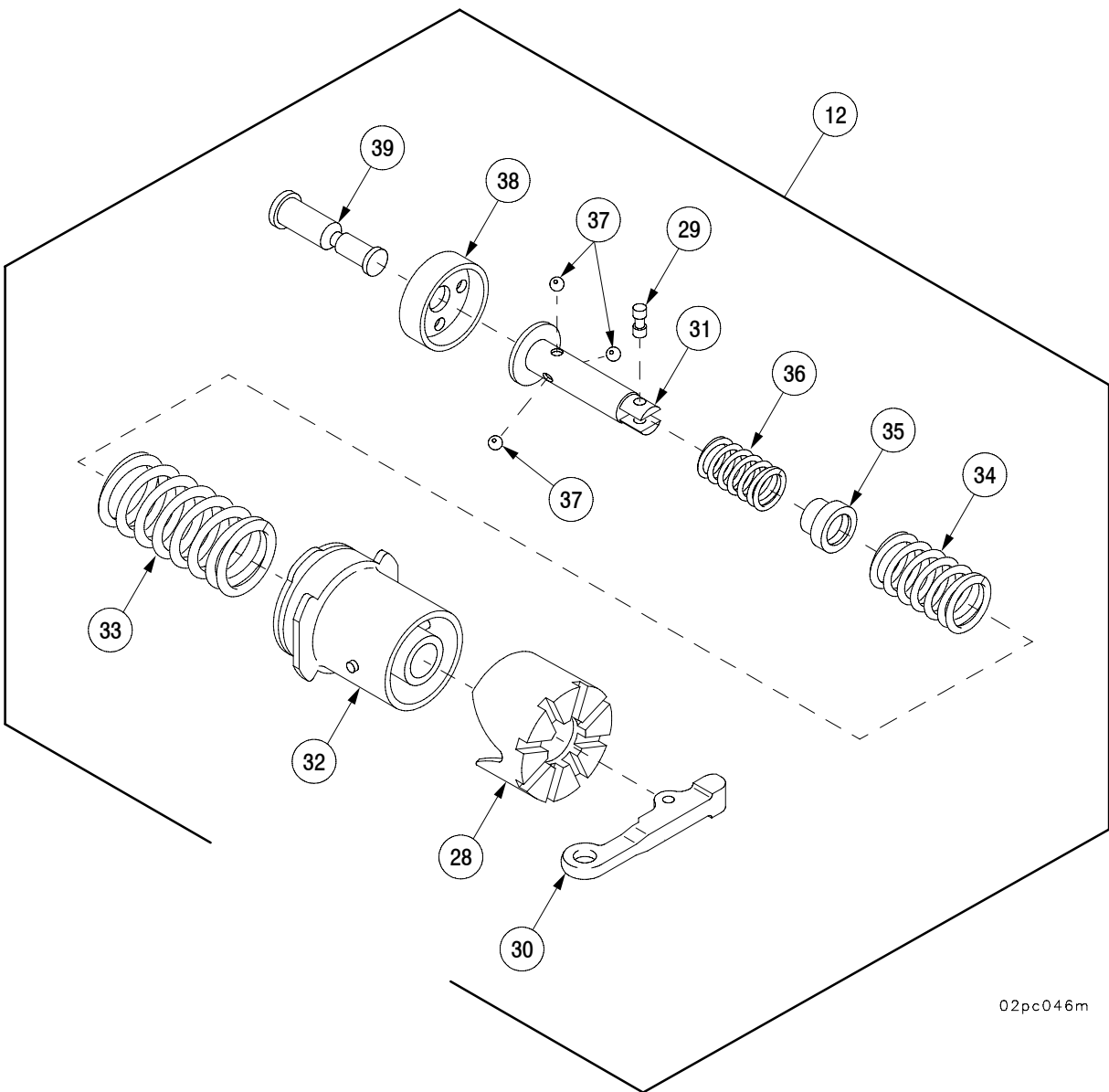
NOTE

M18 fuze setter is used to complete assembly.

- (9) Place yoke and hammer assembly on socket wrench so that hammer swings freely inside socket.
- (10) Install spring (34) and spring (33) over yoke (31).
- (11) Install case assembly (32) over spring (33).
- (12) Install follower (28) over case assembly (32), aligning cutouts of follower with pins on case assembly.
- (13) Place fuze setter wrench over follower (28) and depress to compress springs until lever (30) can be inserted in yoke (31).
- (14) Install pin (29) in lever (30) and yoke (31).
- (15) Push hammer (39) against solid surface to seat assembly.

3-8 ARMAMENT AND CAB MAINTENANCE - CONTINUED

3-8.10 Assembly of Breech Mechanism - Continued



02pc046m

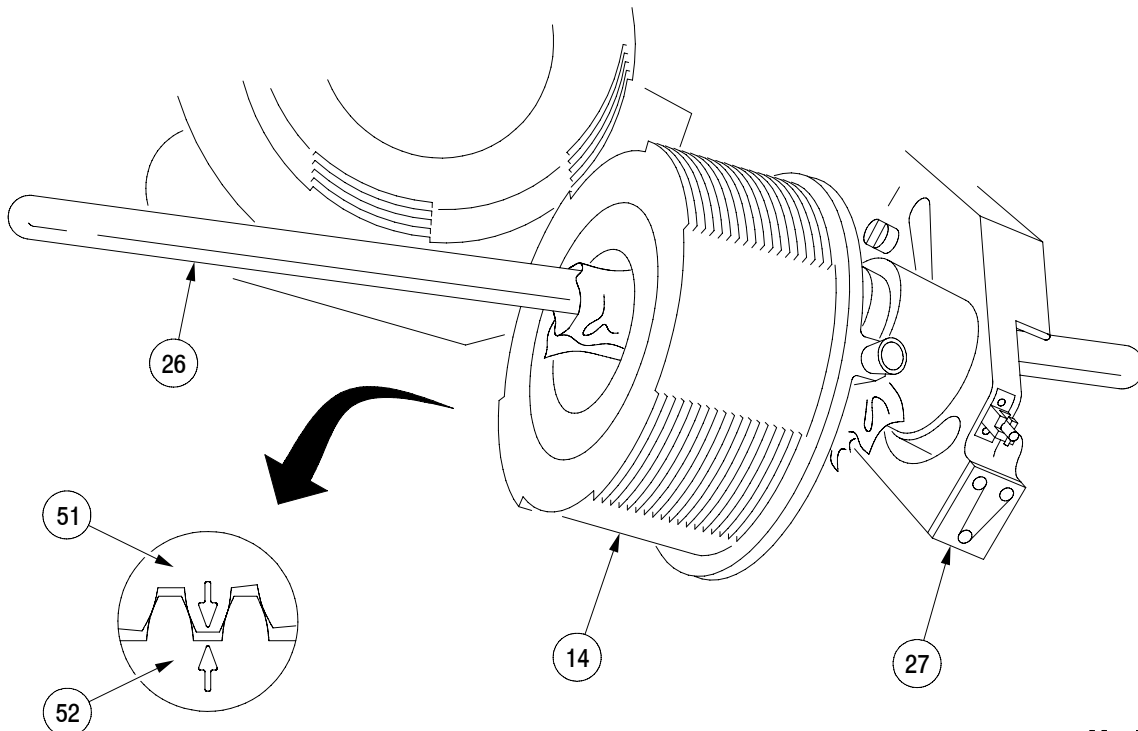
3-8 ARMAMENT AND CAB MAINTENANCE - CONTINUED

3-8.10 Assembly of Breech Mechanism - Continued

WARNING

Breechblock weighs approximately 125 lbs (57 kg). Two persons are needed to install the breechblock in order to prevent injury to personnel. Insert cleaning staff wrapped with rags through breechblock and carrier to prevent breechblock from sliding and injury to personnel.

- e. Insert 24 inch cleaning staff (26) wrapped with rags through breechblock (14).
- f. Align arrows of spur gear (51) and rack gear (52).
- g. With carrier assembly (27) in fully open position, lift breechblock (14) and insert one end of cleaning staff (26) into carrier assembly (27).
- h. Slide breechblock (14) down cleaning staff (26) onto carrier assembly (27). Remove cleaning staff (26) from breechblock (14) and carrier assembly (27).

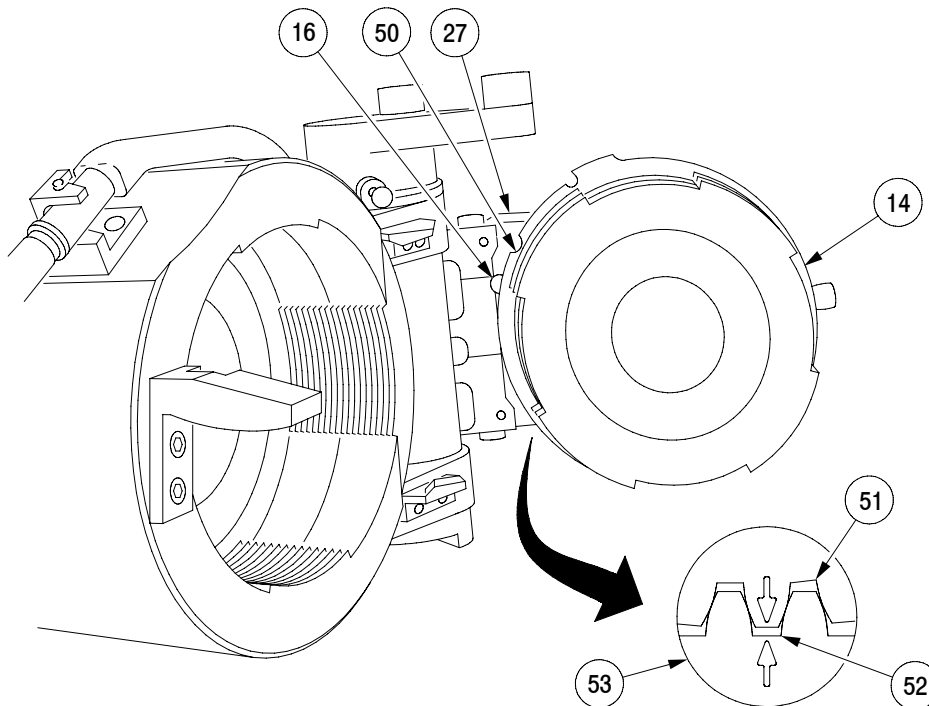


02pc045m

3-8 ARMAMENT AND CAB MAINTENANCE - CONTINUED

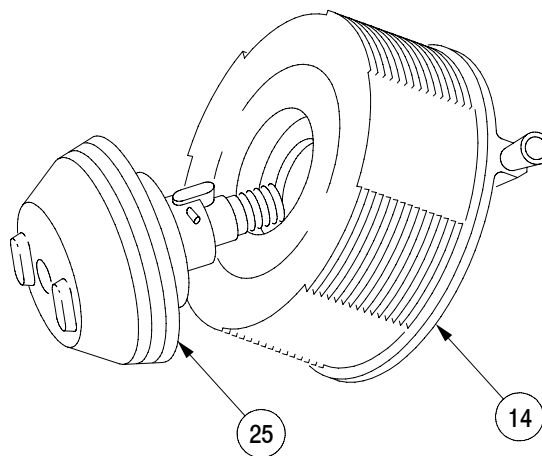
3-8.10 Assembly of Breech Mechanism - Continued

- i. With carrier assembly (27) in fully open position, align closing lug (50) with detent plunger (16). Insure arrows on spur gear (51) and rack gear (52) aligned in center of inspection hole (53), and slide breechblock (14) completely onto carrier assembly. Recheck alignment marks.



02pc049m

- j. Install obturator group (25) into breechblock (14).



02pc048m

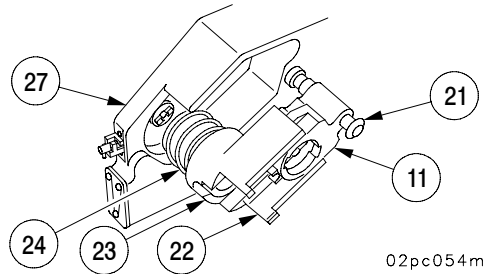
3-8 ARMAMENT AND CAB MAINTENANCE - CONTINUED

3-8.10 Assembly of Breech Mechanism - Continued

WARNING

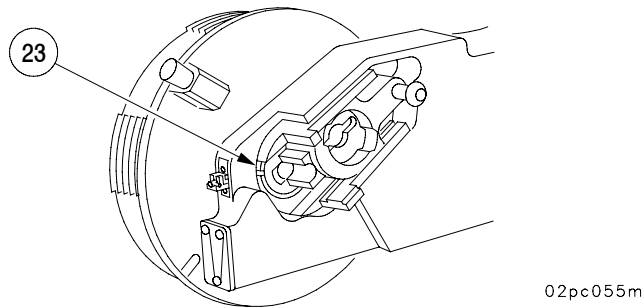
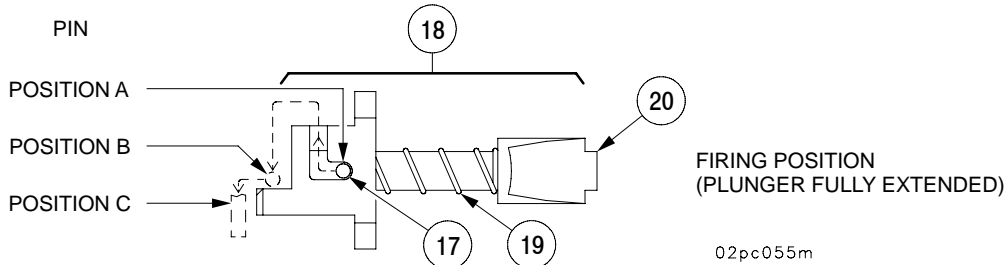
The follower group has a safety interlock which keeps the block from moving to the firing position until breechblock is fully closed. The follower must be in good working condition and properly assembled in firing mechanism to make sure safety works.

- k. Install obturator spindle spring (24), firing mechanism housing (22), and firing block assembly (11) into carrier assembly (27).
- l. Move firing block assembly (11) to extreme right position by pulling follower knob (21) and sliding to right.
- m. Support firing block assembly (11) and firing mechanism housing (22). Install obturator nut (23) with spanner wrench.



NOTE

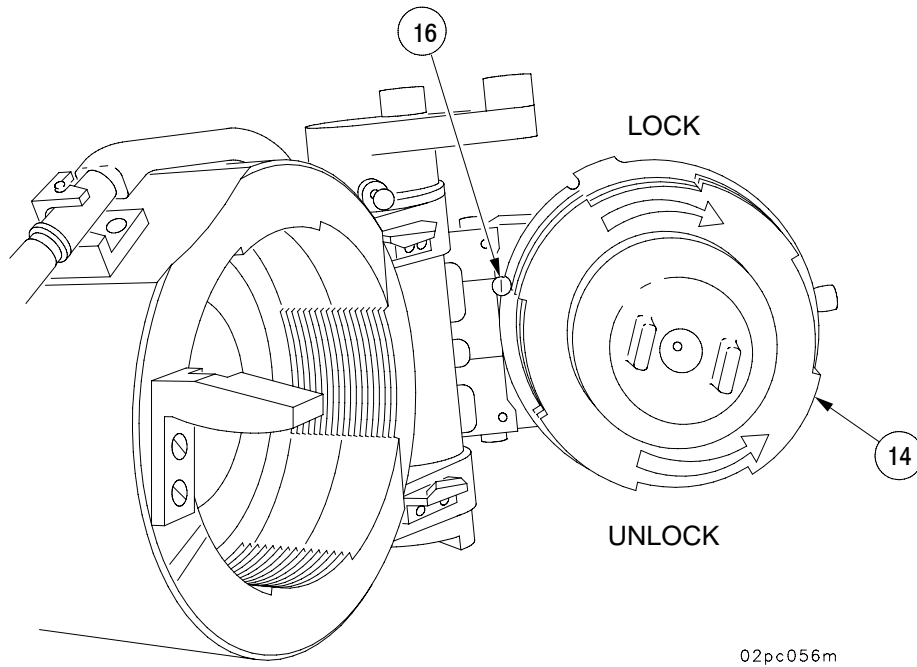
Ensure that plunger tip seats in narrow slot of obturator nut (23).



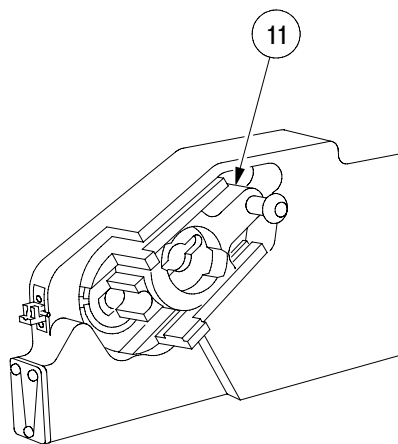
3-8 ARMAMENT AND CAB MAINTENANCE - CONTINUED

3-8.10 Assembly of Breech Mechanism - Continued

- o. Depress carrier detent plunger (16) with drive punch. Rotate breechblock (14) clockwise to the LOCK position. Make sure carrier detent plunger is extended.



- p. Slide firing block assembly (11) to center position.



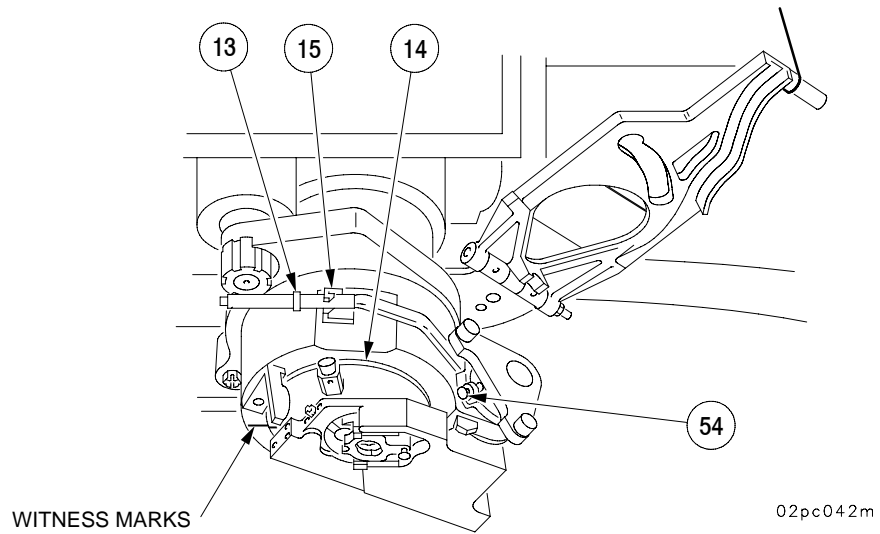
3-8 ARMAMENT AND CAB MAINTENANCE - CONTINUED

3-8.10 Assembly of Breech Mechanism - Continued

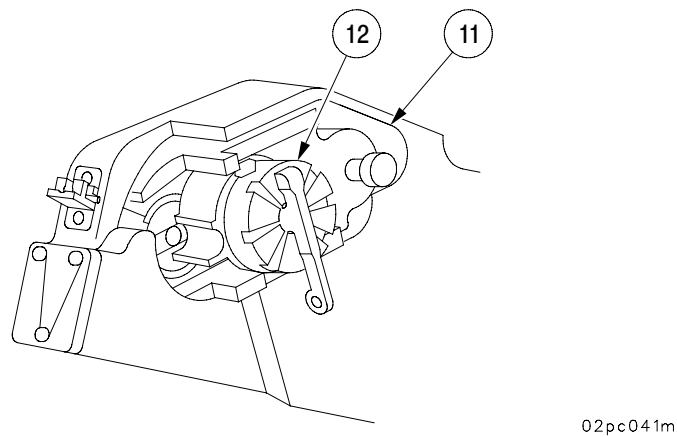
- q. Disengage breech operating handle (13) from stop (15) and engage clutch pin (54). With one soldier supporting breechblock (14), close breechblock with breech operating handle (13).
- r. Return breech operating handle (13) to stop (15).

NOTE

Witness marks must be aligned when breechblock is closed. If witness marks are not aligned, breechblock may be out of time. Remove and reinstall breechblock.



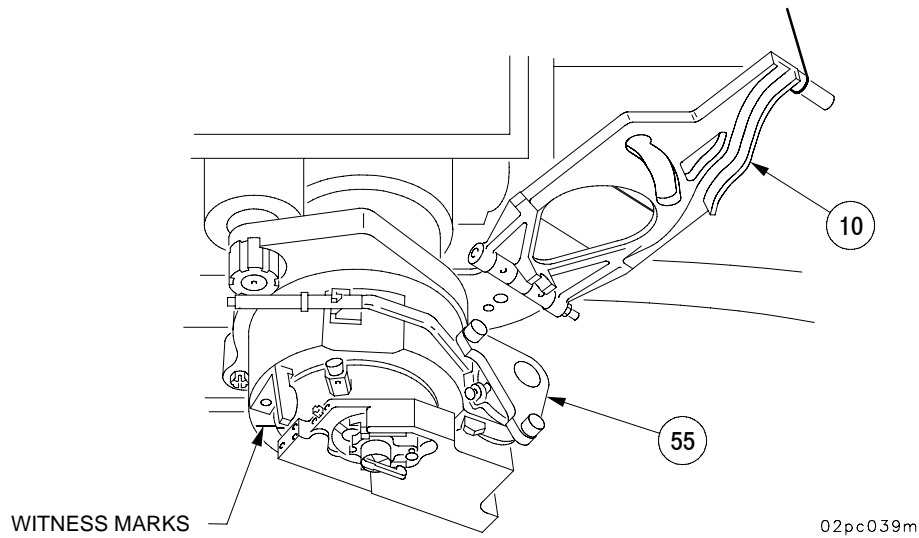
- s. With firing block assembly (11) in center position, insert firing mechanism (12) and rotate counterclockwise until locked.



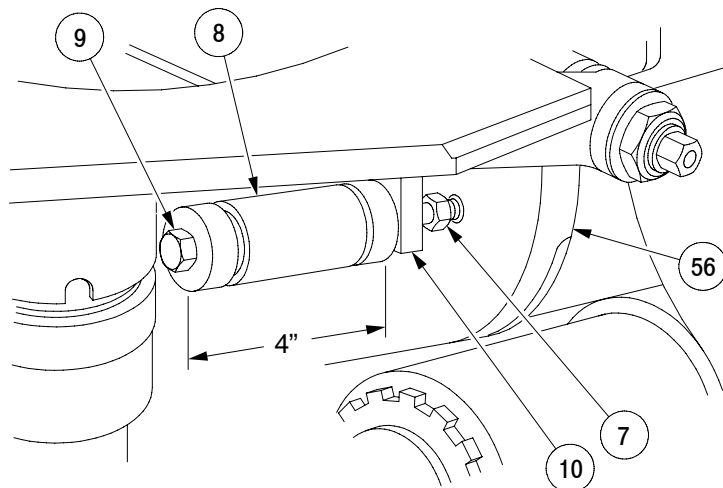
3-8 ARMAMENT AND CAB MAINTENANCE - CONTINUED

3-8.10 Assembly of Breech Mechanism - Continued

- t. Remove strap and lower breech mechanism operating cam (10) onto operating crank assembly (55).



- u. Position cam damper assembly (8) on breech mechanism operating cam (10) and install screw (9) in cradle assembly (56).
- v. Tighten screw (9) until seat to seat length of cam damper assembly (8) is 4.0 inches (101.60 mm).
- w. Tighten jamnut (7) to secure cam damper assembly (8) to cradle assembly (56).



3-8 ARMAMENT AND CAB MAINTENANCE - CONTINUED

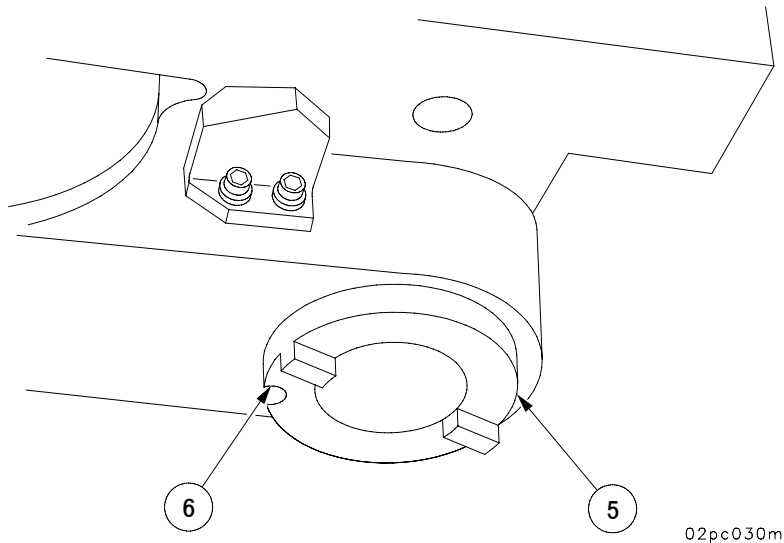
3-8.10 Assembly of Breech Mechanism - Continued

CAUTION

The notches in the adjuster provide graduations of adjustment. Do NOT apply more pre-load than is necessary to close the breechblock securely at the loading elevation (less than 300 mils). Use of final notch setting reduces the life of the leaf springs and should be used only if necessary (if breech does not close at loading elevation). Unnecessary use of a higher setting can cause damage to the breechblock detent plunger and breechblock stop surface.

NOTE

- Adjuster has lugs for an adjustable wrench or spanner wrench.
 - Adjuster may have only two graduations.
- x. Depress adjuster plunger (6) and apply pre-load tension on breech mechanism closing springs by turning adjuster (5) clockwise.



3-8 ARMAMENT AND CAB MAINTENANCE - CONTINUED

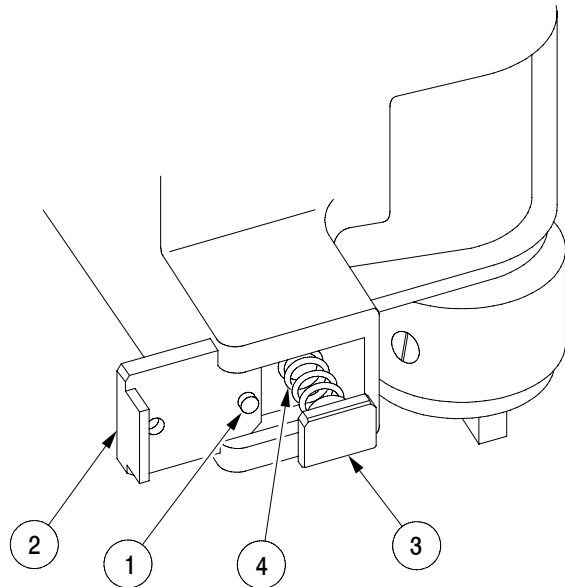
3-8.10 Assembly of Breech Mechanism - Continued

WARNING

Failure to ensure proper installation of rack springs and plates could cause injury to personnel during operation of breechblock.

NOTE

- The following steps require two people.
 - If stop plate has an arrow on it, be sure it points to muzzle end.
- y. Install two rack springs (4) and stop plate (3). Apply pressure to stop plate and rack springs with wood hammer handle or suitable wooden dowel.
- z. Depress plunger (1) with punch and slide rack plate (2) over stop plate (3). Ensure that plunger engages in rearward hole of rack plate.



02pc029ma

3-8 ARMAMENT AND CAB MAINTENANCE - CONTINUED

3-8.11 Filling Hydraulic Reservoir

NOTE

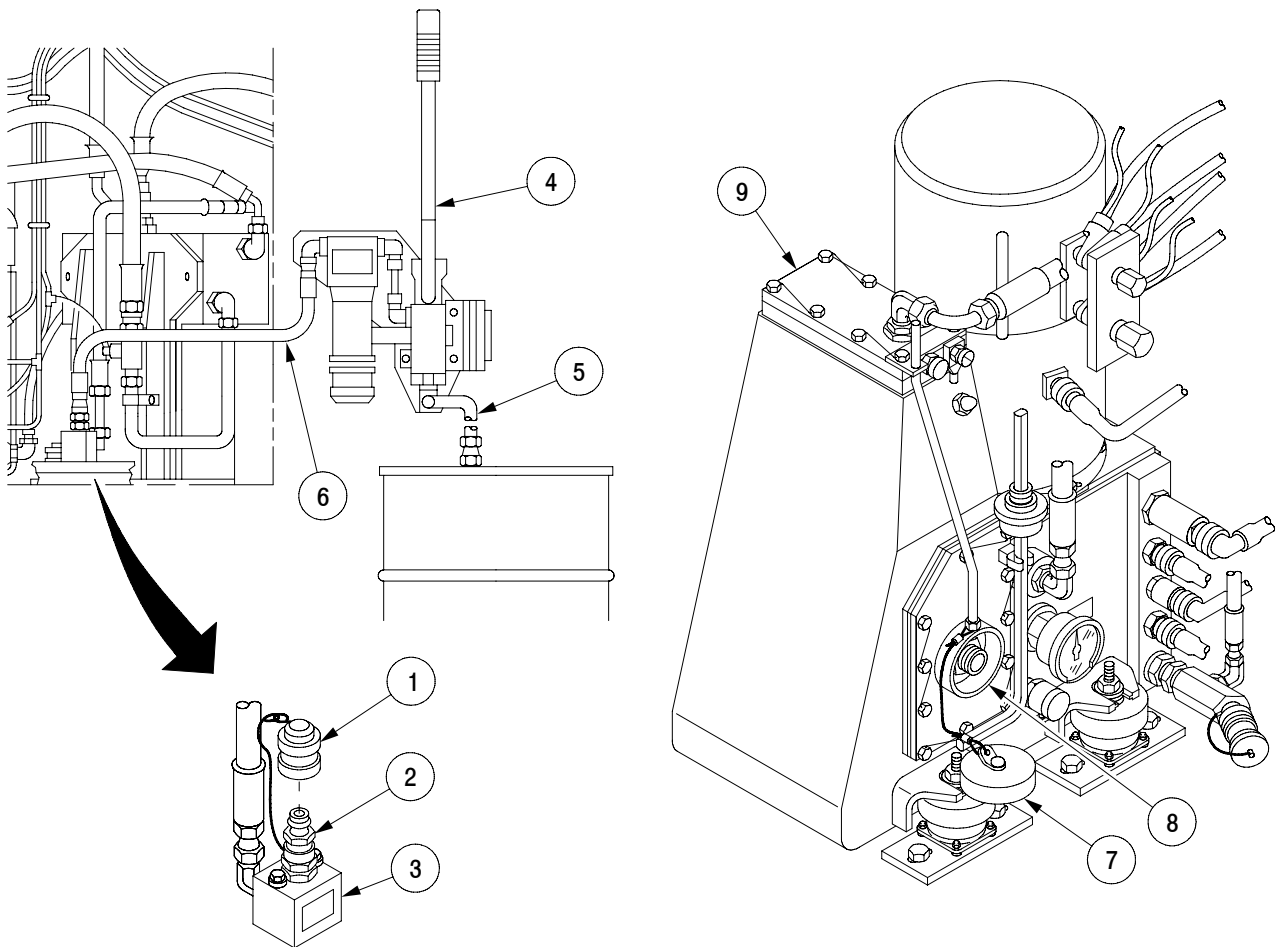
Prior to adding fluid, check hydraulic fluid level using the rod assembly, IAW Appx I.

- a. Remove protective cap (1) from coupling (2) at system fill manifold (3).

CAUTION

Do not use hose or pump contaminated with any other fluid (oil, water, etc.) to fill hydraulic system. Contamination will cause damage to equipment.

- b. Connect hand pump (4) input hose (5) into container of hydraulic fluid (OHT) (item 22, Appx D). Connect output hose (6) of hand pump (4) to coupling (2) at system fill manifold (3).
- c. Remove dust cap (7) from bellows boss (8) on hydraulic reservoir (9).



3-8 ARMAMENT AND CAB MAINTENANCE - CONTINUED

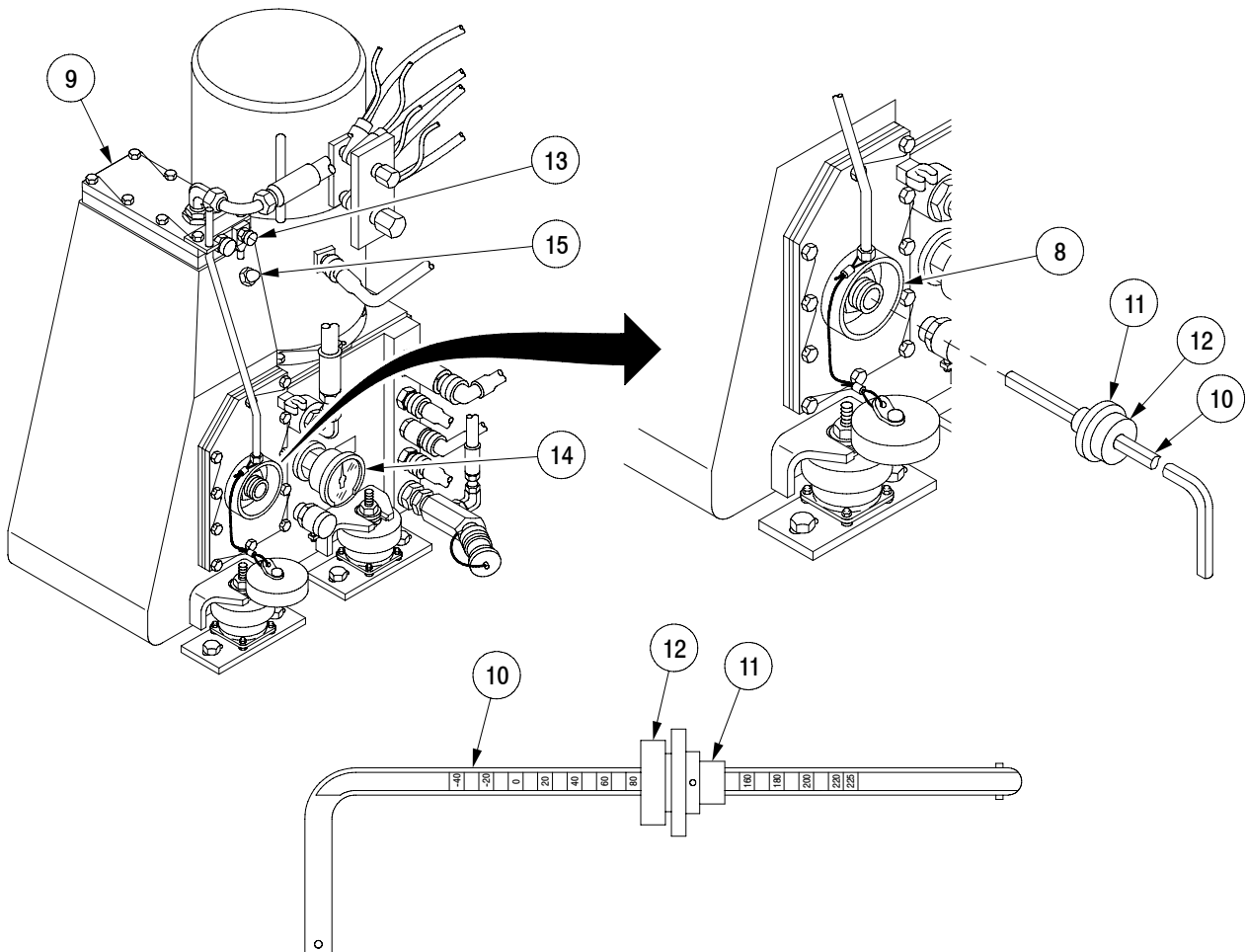
3-8.11 Filling Hydraulic Reservoir - Continued

- d. Insert dipstick (10) into bellows boss (8).
- e. Screw rod guide (11) into bellows boss (8).

NOTE

- Check to ensure that vent holes in rod guide is clear.
- Do not tighten cap to rod guide. Rod must be able to slide out of bellows as fluid is added.

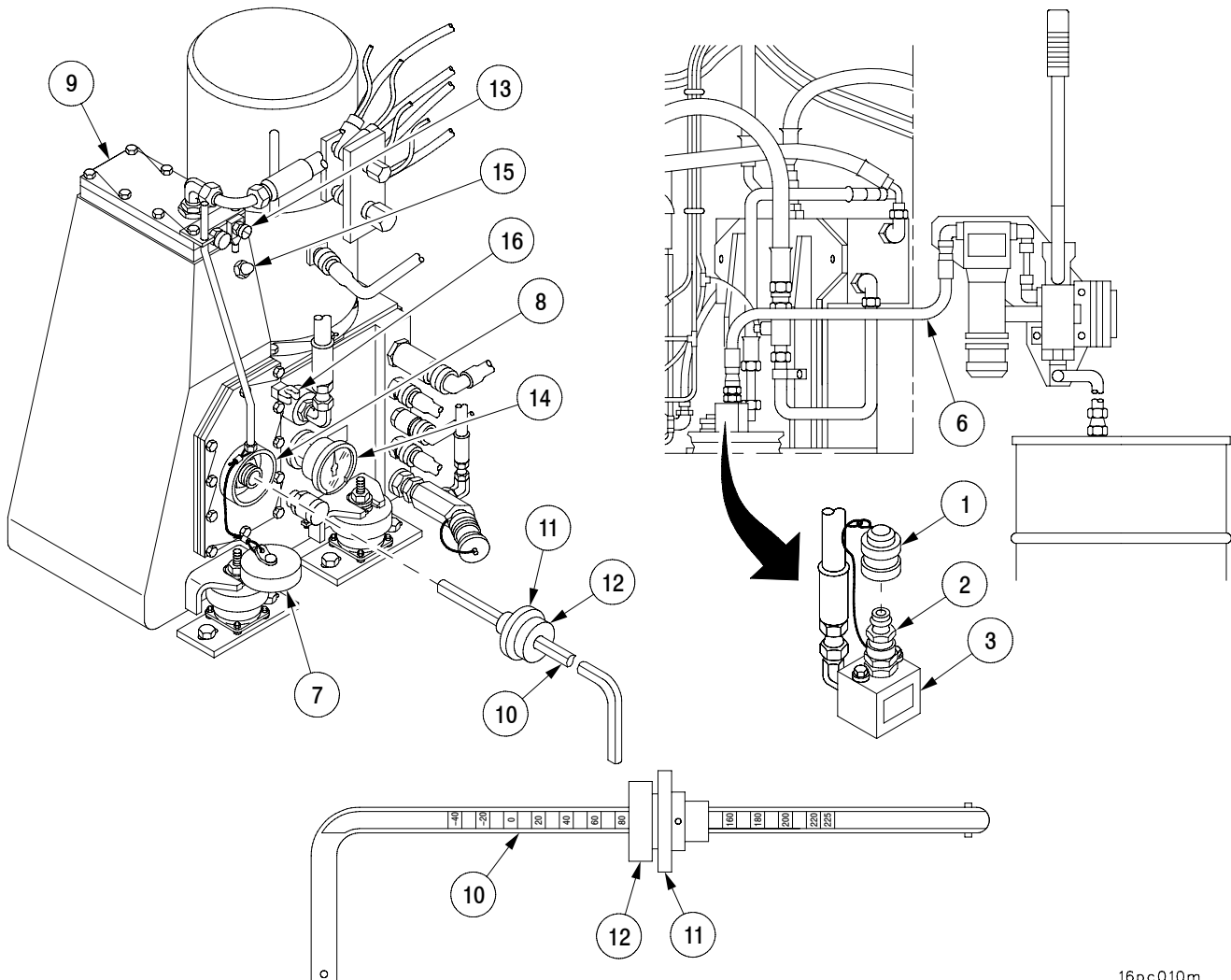
- f. Screw dipstick cap (12) to rod guide (11).
- g. Attach one end of plastic tubing to bleeder valve (13) at the top of hydraulic reservoir (9). Place the other end of tubing in a drain pan.
- h. Open bleeder valve (13).
- i. Push dipstick (10) into bellows boss (8) until it bottoms out. If dipstick (10) indicates a higher temperature than the thermometer (14), apply pressure inward on dipstick (10) until temperature on dipstick (10) and thermometer (14) are the same.
- j. Check sight plug (15). Do not add fluid if it is visible in sight plug (15).



3-8 ARMAMENT AND CAB MAINTENANCE - CONTINUED

3-8.11 Filling Hydraulic Reservoir - Continued

- k. If dipstick (10) indicates a lower temperature than the thermometer (14) when it is bottomed out and no fluid is visible in the sight plug (15), pump fluid into the reservoir (9) until fluid is visible in sight plug (15).
- l. Ensure the dipstick (10) has backed out of the bellows boss (8) and the temperature indicated on the dipstick (10) and thermometer (14) match.
- m. Tighten rod cap (12) to rod guide (11).
- n. Add additional hydraulic fluid until clear fluid drains from bleeder valve (13).
- o. Close bleeder valve (13).
- p. Disconnect output hose (6) from coupling (2).
- q. Remove plastic tubing from bleeder valve (13) on the hydraulic reservoir (9).
- r. Install cap (1) on coupling (2) at system fill manifold (3).
- s. Remove rod guide (11) from bellows boss (8).
- t. Stow dipstick (10) in clamp (16).
- u. Install dust cap (7) on bellows boss (8).



16pc010m

3-8 ARMAMENT AND CAB MAINTENANCE - CONTINUED

3-8.12 Hydraulic Control Box LED Removal.

a. Removal.

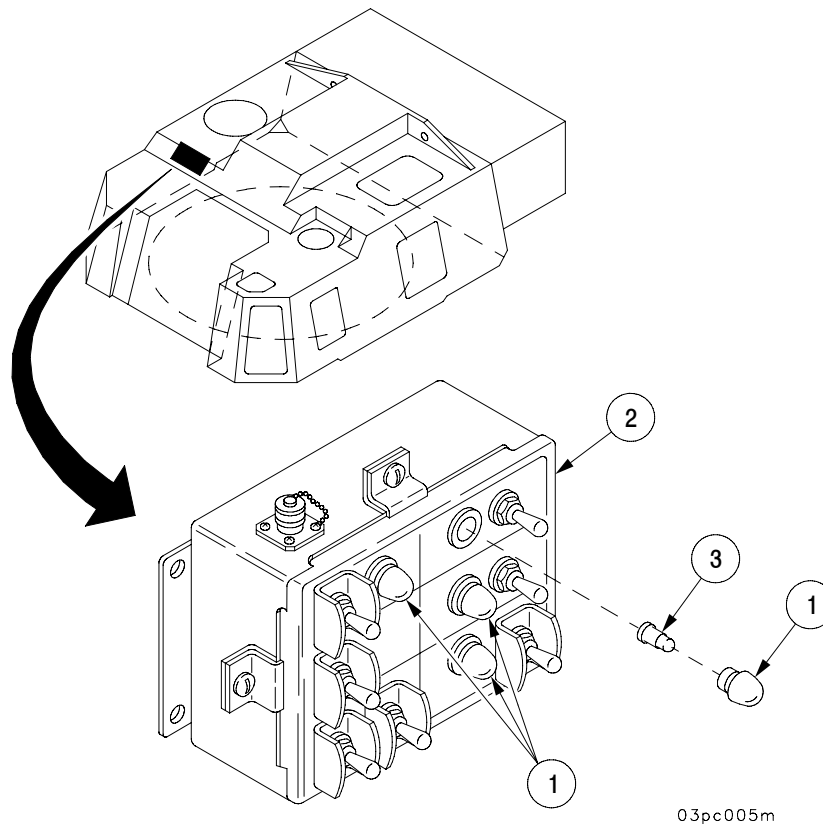
WARNING

Make sure MASTER switch is OFF when working on hull electrical system to avoid electrical shocks and burns.

- 1 Remove lens cap (1) from housing cover (2).
- 2 Separate LED (3) from lens cap (1).

b. Installation.

- 1 Apply light coat of anti-corrosion silicone compound (item 38, Appendix D) to socket before installing new LED.
- 2 Install LED (3) in lens cap (1).
- 3 Install lens cap (1) in housing cover (2).



3-8 ARMAMENT AND CAB MAINTENANCE - CONTINUED

3-8.13 M3 Heater Pilot Light Lamp Removal.

a. Removal.

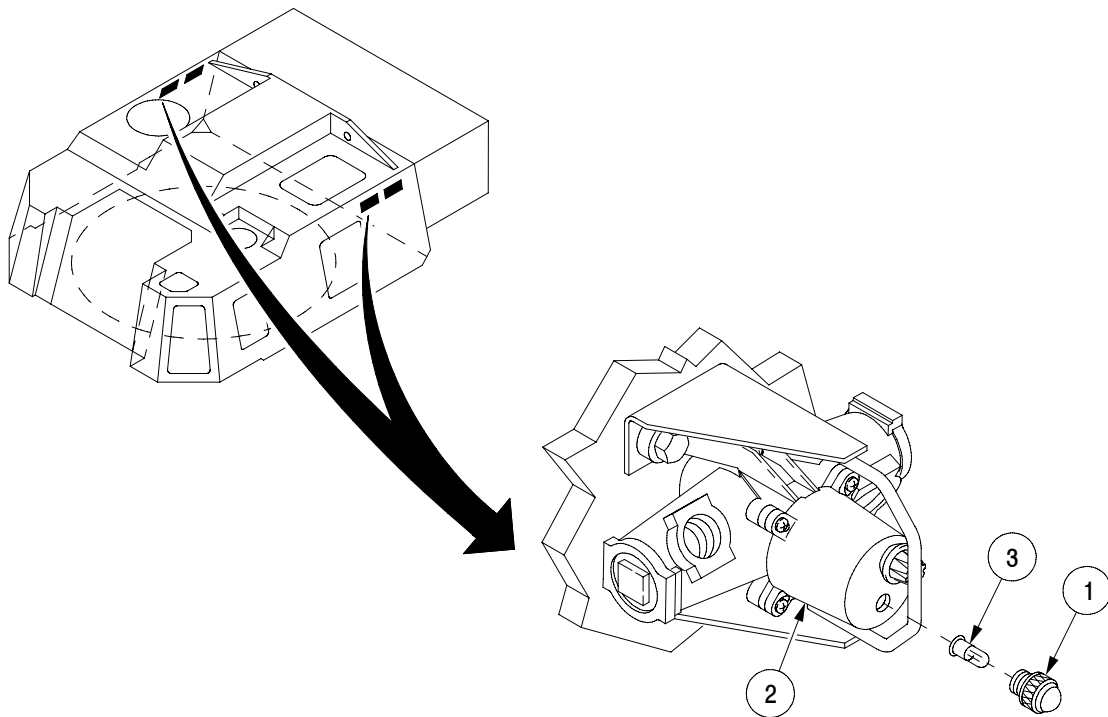
WARNING

Make sure MASTER switch is OFF when working on hull electrical system to avoid electrical shocks and burns.

- 1 Remove pilot light lens (1) from heater (2).
- 2 Separate lamp (3) from pilot light lens(1).

b. Installation.

- 1 Apply light coat of anti-corrosion silicone compound (item 38, Appendix D) to socket before installing new LED.
- 2 Install lamp (3) in pilot light lens (1).
- 3 Install pilot light lens (1) in heater (2).



11pc007m

3-8 ARMAMENT AND CAB MAINTENANCE - CONTINUED

3-8.14 Vehicle Motion Sensor (VMS) Modem LED Removal (Hull/Cab).

a. Removal.

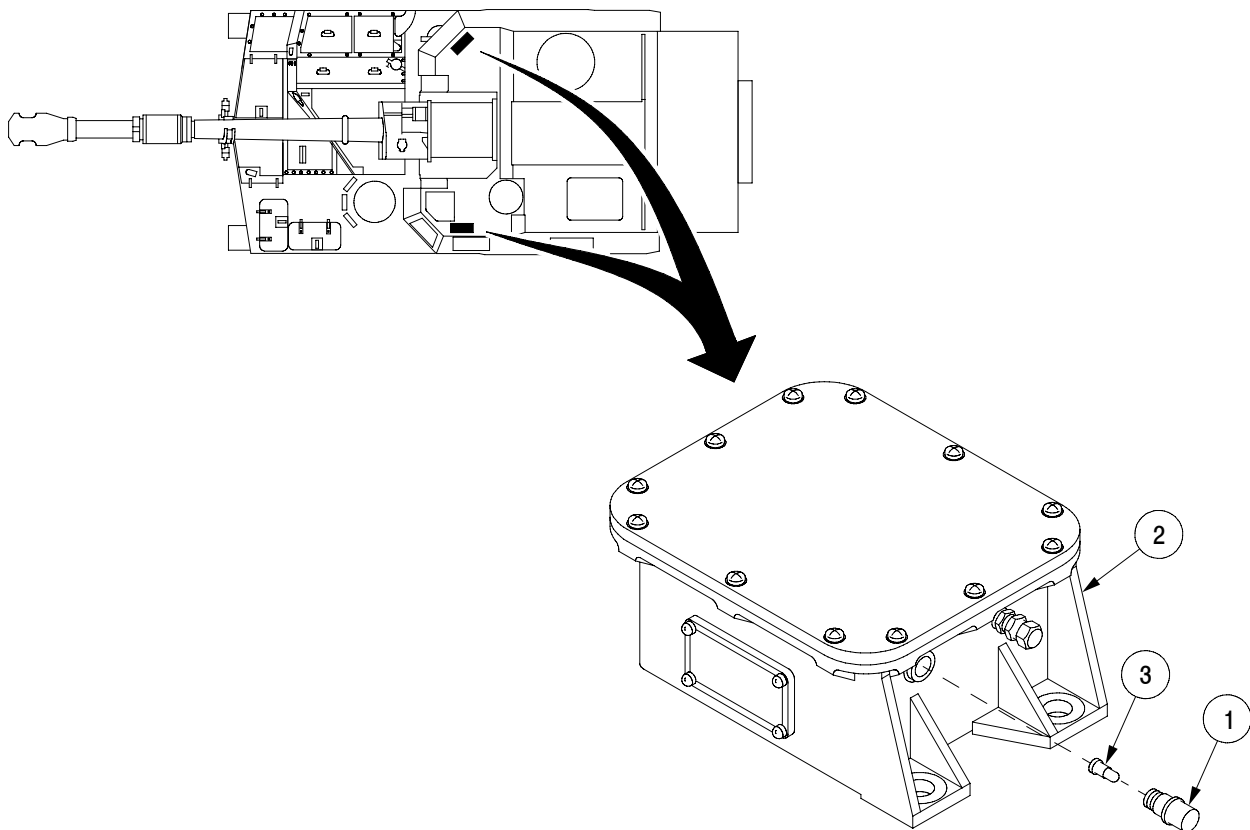
WARNING

Make sure MASTER switch is OFF when working on hull electrical system to avoid electrical shocks and burns.

- 1 Remove lens cap (1) from housing (2).
- 2 Separate LED (3) from lens cap (1).

b. Installation.

- 1 Apply light coat of anti-corrosion silicone compound (item 38, Appendix D) to socket before installing new LED.
- 2 Install LED (3) in lens cap (1).
- 3 Install lens cap (1) in housing (2).



22pc002m

3-8 ARMAMENT AND CAB MAINTENANCE - CONTINUED

3-8.15 AFCS Components, LED Removal.

a. Removal.

WARNING

Make sure MASTER switch is OFF when working on hull electrical system to avoid electrical shocks and burns.

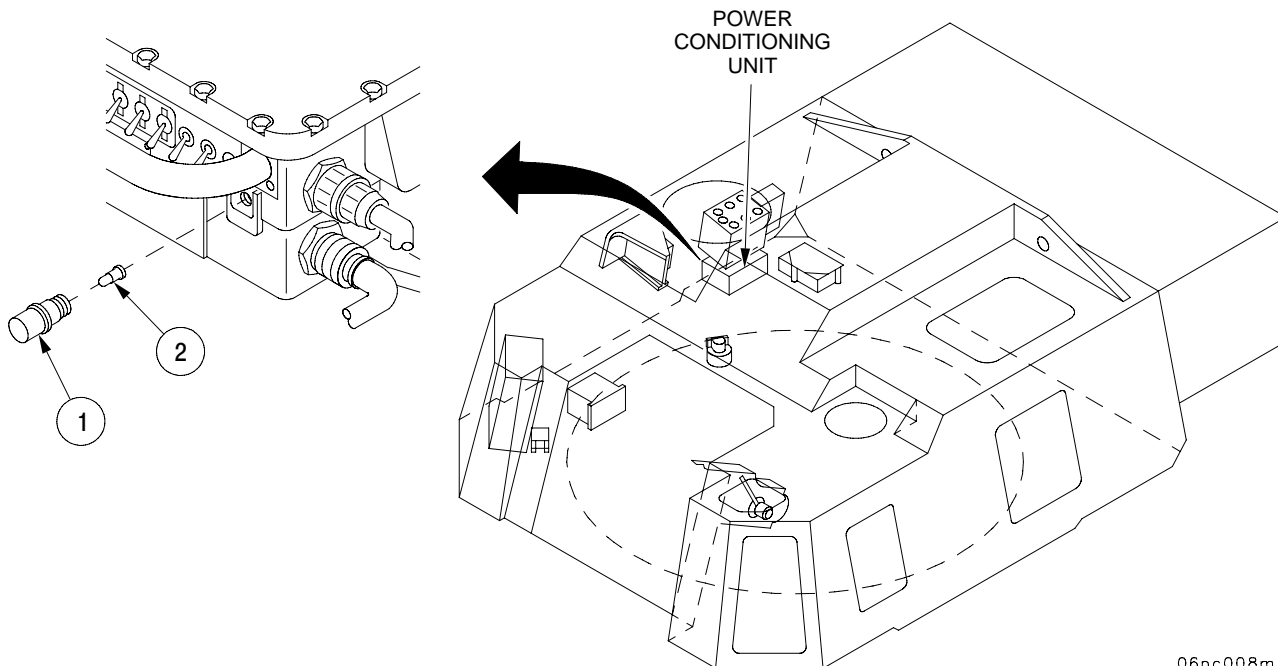
NOTE

AFCS component's LEDs are removed and installed in the same manner.

- 1 Remove lens cap (1) from housing.
- 2 Separate LED (2) from lens cap (1).

b. Installation.

- 1 Apply light coat of anti-corrosion silicone compound (item 38, Appendix D) to socket before installing new LED.
- 2 Install LED (2) in lens cap (1).
- 3 Install lens cap (1) in housing.



06pc008m

3-8 ARMAMENT AND CAB MAINTENANCE - CONTINUED

3-8.16 Microclimate Conditioning System (MCS) NBC Filter Replacement.

a. Removal.

WARNING

- If "Training Filter" is installed it must be replaced with the M48 NBC filter prior to Tactical Operation.
- If NBC exposure is suspected, all filter media will be handled by personnel wearing full NBC protective equipment.

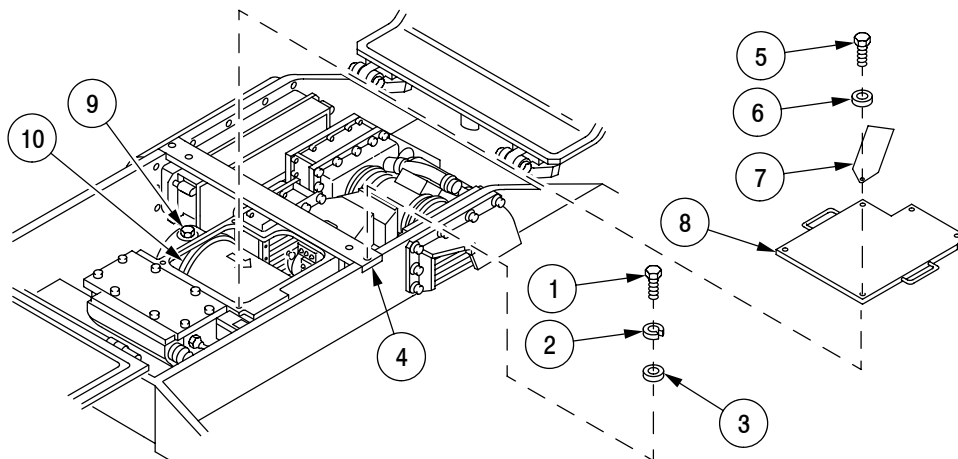
NOTE

- Tag should be installed on filter cover assembly only when training filter is installed in lieu of M48 NBC filter. Retain tag with Training Filter when filter is removed.
- If Training Filter is installed, an M48 NBC filter in its original unbroken package must be on hand for Tactical Operations.

- 1 Open MCS access door.
- 2 Remove two screws (1), two lockwashers (2), and two flat washers (3).
- 3 Remove mounting plate (4).
- 4 Remove five screws (5), five flat washers (6), tag (7), if installed, and filter access cover (8).
- 5 Set retractable filter inlet support (9) to UNLOCKED position.
- 6 Carefully lift up NBC filter (10), slip disposal bag around filter, and remove disposal bag.
- 7 Wipe filter cavity with M295 Decontamination Wipes (item 48, Appx D) . Place wipes in disposal bag with NBC filter. Dispose of bagged filter and wipes IAW local SOP.

b. Installation.

- 1 Install new NBC filter (10), aligning holes at both ends of filter with filter inlet supports (9).
- 2 Turn retractable filter inlet support (9) to LOCKED position, making sure that support engages NBC filter (10).
- 3 Install filter access cover (8) and tag (7), if removed, with five flat washers (6) and five screws (5).
- 4 Place mounting plate (4) in position.
- 5 Install two flat washers (3), two lockwashers (2), and two screws (1).



11pc008m

3-8 ARMAMENT AND CAB MAINTENANCE - CONTINUED

3-8.17 Slip Ring Segment Board Assembly Cleaning.

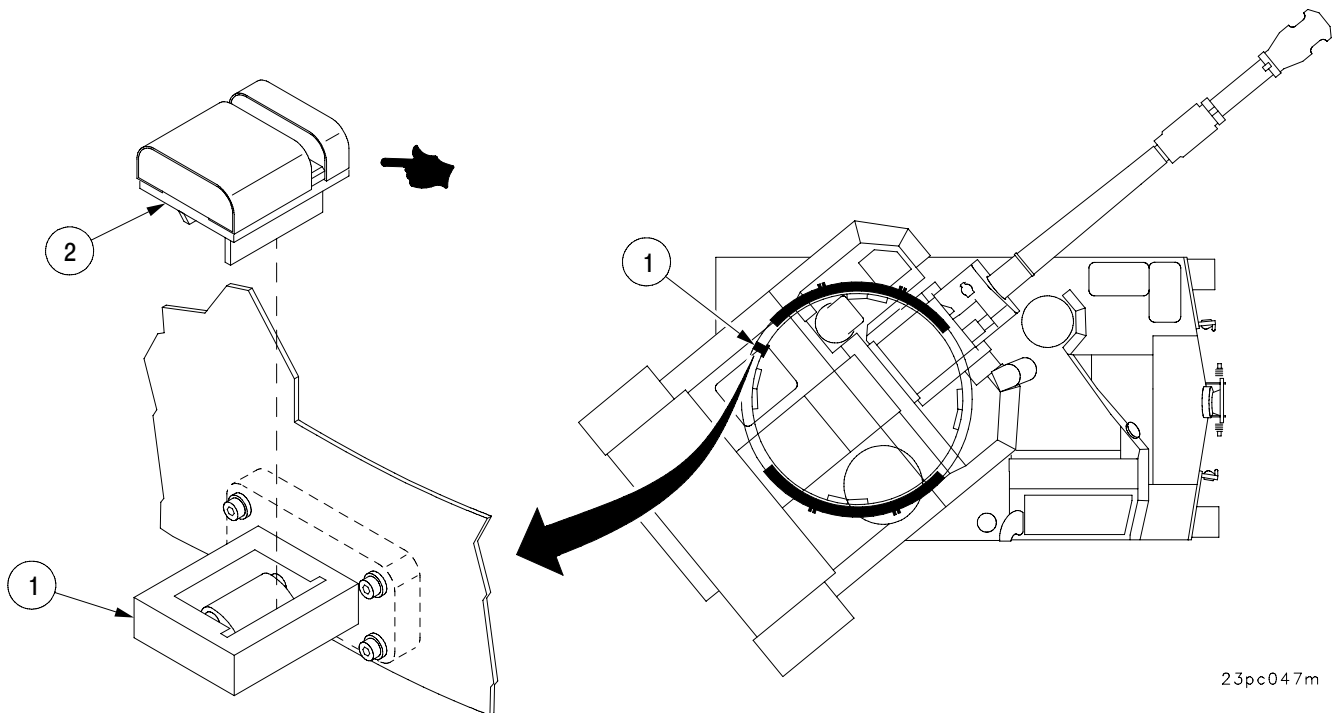
WARNING

- Electrical hazards may result if the segment boards are cleaned with master power switch ON.
- Use caution when rotating the cab to avoid personnel injury and/or equipment damage.

NOTE

Verify that all electrical components are powered OFF prior to cleaning the segment boards.

- Clear by hand any loose debris from eight brush blocks and two segment boards.
- Inspect the segment boards and brush blocks for damage. If necessary, notify unit maintenance.
- Turn MASTER power switch ON.
- Check function of electronic components. Record any malfunctions. If necessary, notify unit maintenance.
- Start engine and set throttle to 1000 - 1200 rpm.
- Release gun tube (para 2-8.19.1).
- Power traverse cab (para 2-8.21.2) 700 mils left. This will permit access to the segment board cleaning mechanism (SBCM) (1) above upper left corner of rear door.
- Verify that all electrical components are powered OFF.
- Turn HYDRAULIC POWER, engine, and MASTER power switches OFF.
- Remove the cleaning block (2) from the SBCM (1).



23pc047m

3-8 ARMAMENT AND CAB MAINTENANCE - CONTINUED

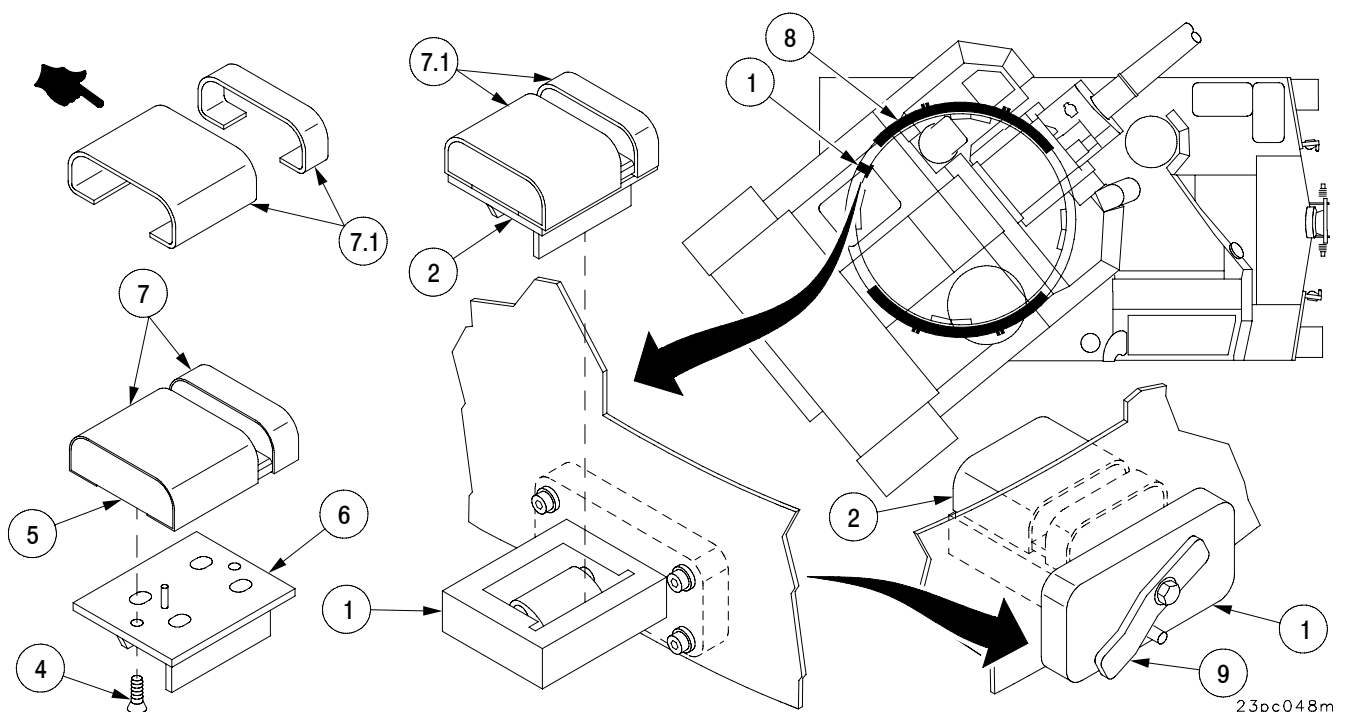
3-8.17 Slip Ring Segment Board Assembly Cleaning - Continued

- k. Remove two socket head screws (4) and block (5) from base plate bracket (6).
- l. Deleted.
- m. Inspect velcro strips (7). If no longer serviceable, notify unit maintenance.
- n. Cut two new cleaning pads (7.1) (item 33, Appx D), one pad 2.46" wide by 7" long, one pad .88" wide by 7" long.
- o. Install two new cleaning pads (7.1) to block (5).
- p. Install block (5) to base bracket (6) with two socket head screws (4).
- q. Spray isopropyl alcohol (item 1, Appx D) on the cleaning pads (7.1). Install the cleaning block (2) on the SBCM (1).
- r. Use the handwheel to manually traverse the cab until the SBCM (1) is positioned under the ramp at the start of the left segment board (8).

NOTE

Applying excessive force at the SBCM handle will cause rapid wear and/or tearing of the cleaning pads, resulting in the need to replace the cleaning pads more frequently.

- s. Rotate the SBCM handle (9) clockwise to raise the cleaning block (2) against the segment board (8). Hold the handle with medium force.
- t. With the cleaning block (2) held against the segment board (8), use the handwheel to manually traverse the cab through the length of the segment board (8).
- u. Release the SBCM handle (9) to lower the cleaning block (2).

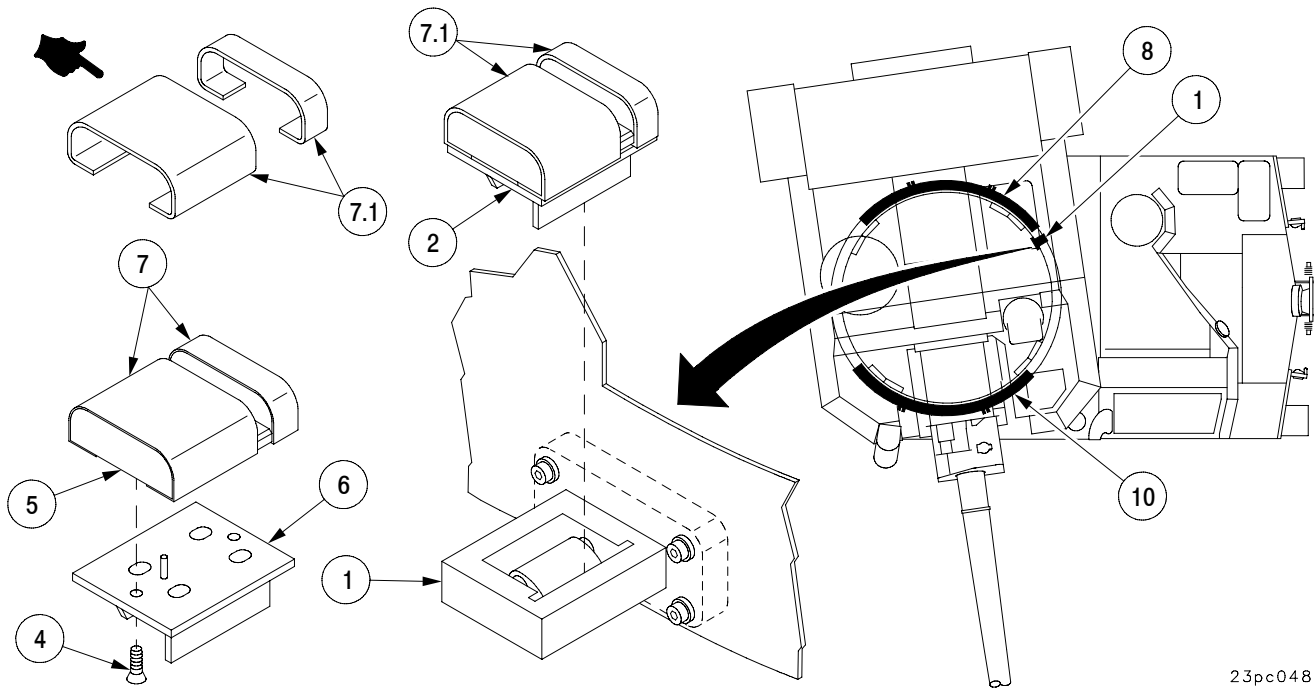


23pc048m

3-8 ARMAMENT AND CAB MAINTENANCE - CONTINUED

3-8.17 Slip Ring Segment Board Assembly Cleaning - Continued

- v. Hand traverse the cab to gain access to the cleaning block (2) near the entrance to the driver's compartment.
- w. Repeat steps j through u for the right segment board (10).
- x. Inspect the segment boards (8 and 10) and repeat cleaning procedure as needed.
 - x.1 Remove cleaning block (2) from the SBCM (1).
 - x.2 Remove two socket head screws (4) and block (5) from base plate bracket (6).
 - x.3 Remove and discard two cleaning pads (7.1) from block (5).
 - x.4 Inspect velcro strips (7). If no longer serviceable, notify unit maintenance.
 - x.5 Install block (5) to base plate bracket (6) with two socket head screws (4).
 - x.6 Install the cleaning block (2) in the SBCM (1) for storage.
- y. Check function of electrical components to determine whether cleaning procedure corrected problems.
- z. If problems still exist, notify unit maintenance.



23pc048ma

3-9 FIRE CONTROL ALIGNMENT TESTS AND MEASUREMENTS.

Fire control alignment tests are performed by the section crewmembers under the supervision of the battery executive officer, chief of firing battery, and artillery mechanic. These tests are performed at the discretion of the unit commander. Suggested intervals for these tests are:

- a. Once each year if the cannon is used for non-firing training.
- b. Once every 3 months if the cannon is fired.
- c. As soon as possible after extensive use.
- d. Following accidents.
- e. After traveling over extremely rough terrain.
- f. When fire control mounts have been replaced.
- g. Whenever cannon fires inaccurately for no apparent reason.
- h. Whenever gun tube or cannon is replaced.

3-9.1 Equipment Required For Fire Control Alignment Tests.

- a. Three 10-ton jacks.
- b. A cord at least 22 feet long with an object that weighs at least 1/2 lb tied to the end.
- c. Muzzle crosshairs.
- d. Gunner's quadrant.
- e. Test target.
- f. Three to five-gallon container of waste oil or water.
- g. Three-inch screwdriver for boresighting PANTEL.
- h. Bucket (three to five gallon capacity).

3-9.2 Preparation For Fire Control Alignment Tests.

- a. Emplace the weapon on as firm and level ground as is possible. Use hard stand if one is available.
- b. Check the M117A2 PANTEL and the M145A1 telescope mount for looseness or other obvious defects. Make sure M117A2 PANTEL is securely mounted using both latches. Make sure M140/M140A1 alignment device is securely mounted in front of PANTEL ballistic cover.
- c. Inspect the gunner's quadrant shoes for dirt or burrs. If necessary, clean shoes with wiping rag (item 37, Appx D). If burrs are present, notify unit maintenance.
- d. Perform gunner's quadrant micrometer test (para 3-10.1) and end-for-end test (para 3-10.2).
- e. Level trunnions (para 3-10.3).
- f. Zero tube.

NOTE

If you're not sure about the stability of the cannon assembly (tube drop), make the following check:

- (1) Using gunner's quadrant, place tube at +266 mils.
- (2) Turn off cab power switch and wait one hour.
- (3) Tube should not have moved more than 1.5 mil. If greater, notify unit maintenance.
- g. Boresight weapon (para 2-16.5).

3-10 TESTING PROCEDURES FOR FIRE CONTROL ALIGNMENT.

3-10.1 Gunner's Quadrant Micrometer Test.

NOTE

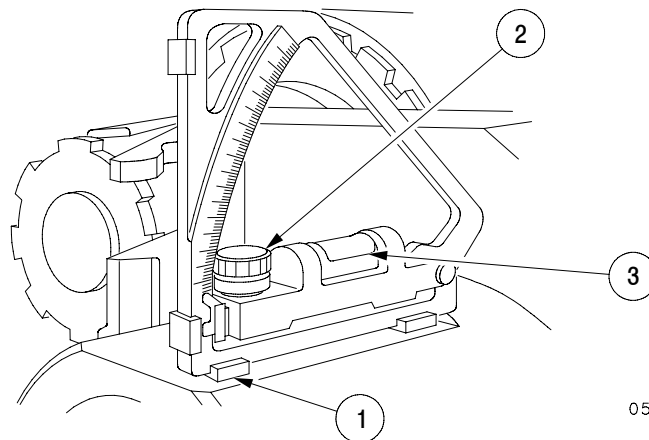
Inspect breech quadrant seats and quadrant shoes before performing tests.

- a. Set index arm (1) at plus 10.
- b. Zero the micrometer knob (2).
- c. Place gunner's quadrant on elevation seats on breech with line of fire arrow toward muzzle.
- d. Depress/elevate tube to center bubble (3).
- e. Set index arm (1) at zero.
- f. Set micrometer knob (2) at 10.
- g. Point quadrant with line-of-fire arrow toward muzzle.

NOTE

If bubble does not recenter, the micrometer is in error. The quadrant should be turned in to maintenance for repair.

- h. Bubble (3) should center. If bubble (3) centers, test is complete. Proceed to end-for-end test.



05pc023m

3-10 TESTING PROCEDURES FOR FIRE CONTROL ALIGNMENT - CONTINUED

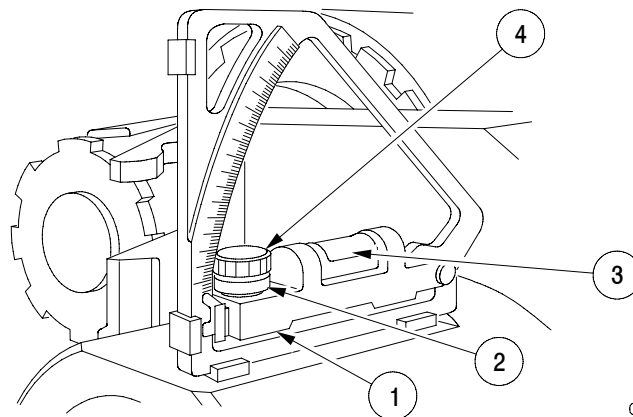
3-10.2 Gunner's Quadrant End-For-End Test.

NOTE

Inspect breech quadrant seats and quadrant shoes before performing tests.

In tolerance ± 0.4 . Anything greater is NOT acceptable.

- a. Zero the index arm (1) and micrometer scale (2).
- b. Place gunner's quadrant on elevation seats on breech with line of fire toward muzzle.
- c. Depress/elevate tube to center bubble (3).
- d. Reverse direction of quadrant.
- e. Bubble (3) should center. If bubble (3) does not center, go to step f.
- f. Center bubble (3) with micrometer knob (4). If bubble (3) centers, go to step g. If it does not, go to step n.
- g. Read black figures on micrometer scale (2). Divide micrometer scale (2) reading by 2 to determine correction factor.
- h. Put correction factor on micrometer scale.
- i. Point quadrant with line of fire toward muzzle.
- j. Depress/elevate tube to center bubble (3).
- k. Reverse direction of quadrant.
- l. Bubble (3) should center. If it does, test is complete.
- m. Record gunner's quadrant correction on the front of the gunner's quadrant carrying case or in accordance with unit SOP.

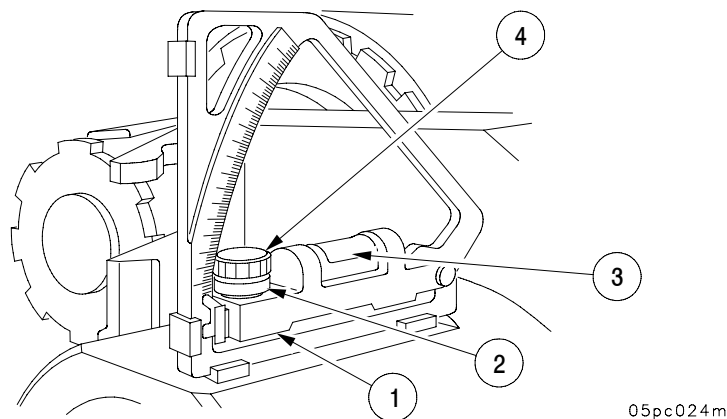


05pc024m

3-10 TESTING PROCEDURES FOR FIRE CONTROL ALIGNMENT - CONTINUED

3-10.2 Gunner's Quadrant End-For-End Test - Continued

- n. Set index arm (1) at minus 10.0.
- o. Center bubble (3) with micrometer knob (4).
- p. Add micrometer knob (4) reading to 10.0.
- q. Divide step p answer by 2. This is your trial correction.
- r. Place answer on micrometer scale (2).
- s. Point quadrant toward muzzle.
- t. Depress/elevate tube to center bubble (3).
- u. Reverse direction of quadrant.
- v. Bubble (3) should center. If not, go back to step n.
- w. Subtract micrometer scale (2) reading from 10.0. Since this is a negative correction (step n), a minus sign must be placed in front of the correction factor.
- x. Record gunner's quadrant correction on the front of the gunner's quadrant carrying case or in accordance with unit SOP.



3-10.3 Leveling the Trunnions Using the Plumblin.

NOTE

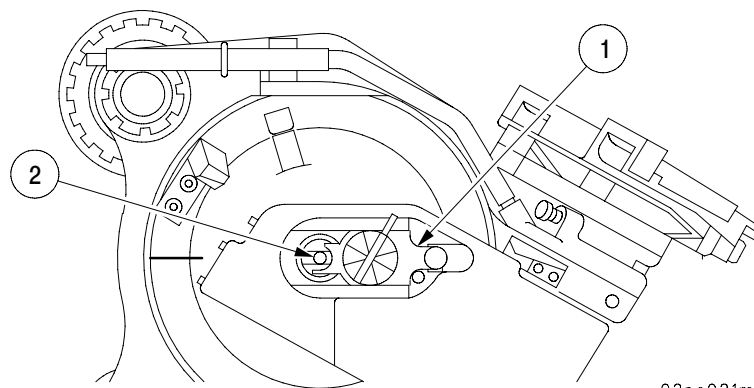
Trunnions must be leveled to ensure the fire control equipment mounts are parallel with the tube. There are two ways to level trunnions: plumblin method and scribe mount method.

- a. Using fibrous twine (item 41, Appx D), attach at witness marks.

3-10 TESTING PROCEDURES FOR FIRE CONTROL ALIGNMENT - CONTINUED

3-10.3 Leveling the Trunnions Using the Plumblines - Continued

- b. Remove firing mechanism (1) and use primer chamber (2) as rear sight.
- c. Suspend plumblines with weight attached at a location where there is little or no wind. The plumblines must be high enough (22 ft) to elevate tube to 600 mils.
- d. Place the weight in waste oil or water.
- e. Position weapon so that tube is within 12 inches of the plumblines.



02pc021m

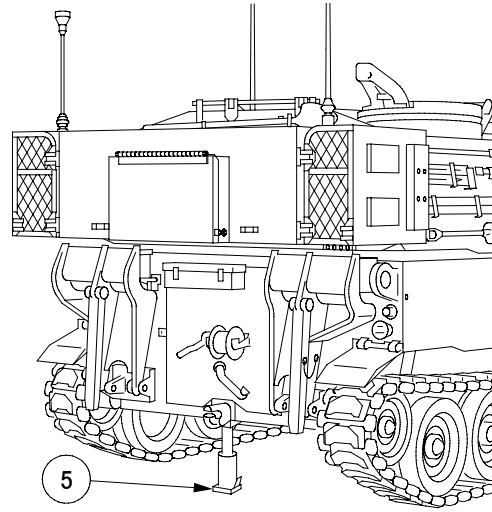
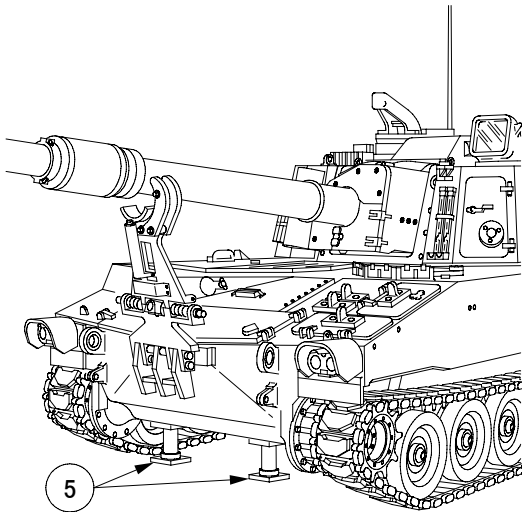
NOTE

- Use jacks with capacity of 10 tons or better. Insure hydraulic jacks do not leak. This will make test inaccurate.
- Use block of wood at least 1 inch thick between jack and pintle bracket.
- ALTERNATE METHOD: One jack may be placed under center and front of vehicle. Two jacks may be placed under left and right rear sides of vehicle.

3-10 TESTING PROCEDURES FOR FIRE CONTROL ALIGNMENT - CONTINUED

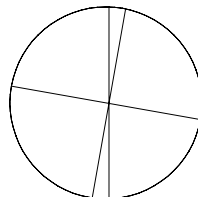
3-10.3 Leveling the Trunnions Using the Plumline - Continued

- f. Install two jacks (5) under the left and right front sides under 1 inch pads. Raise jacks until they support a load.
- g. Install jack (5) in center and rear of vehicle with rear edge of jack pad under pintle bracket.
- h. Release tube travel lock (para 2-8.19) and cab traverse lock (para 2-8.21).
- i. Turn on M145A1 mount lights.

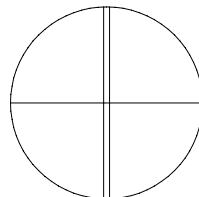


02pc051m

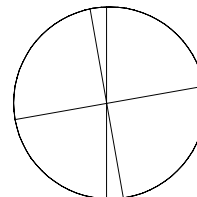
- j. Manually position the tube at approximately zero elevation.
- k. Look through the primer hole and have someone manually traverse the tube until the vertical crosshair on the muzzle is aligned next to the plumline. If you have to traverse more than 100 mils left or right, reposition the weapon or the plumline.
- l. If crosshair is misaligned right, have someone jack up the right front jack (or right rear) until you see proper alignment. The tube may have to be manually traversed to re-align the vertical crosshair on the plumline.
- m. If crosshair is misaligned left, have someone jack up the left front jack (or left rear) until you see proper alignment. The tube may have to be manually traversed to re-align the vertical crosshair on the plumline.



MISALIGNED
RIGHT



PROPER
ALIGNMENT



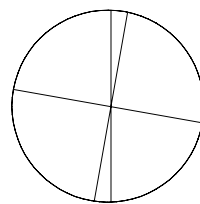
MISALIGNED
LEFT

02pc052m

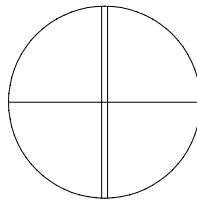
3-10 TESTING PROCEDURES FOR FIRE CONTROL ALIGNMENT - CONTINUED

3-10.3 Leveling the Trunnions Using the Plumblin - Continued

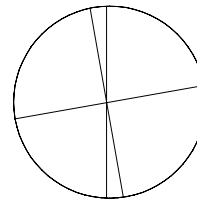
- n. Cross-level the M145A1 mount. Set off 100 mils on the elevation counter and elevate the tube manually until the pitch bubble centers.
- o. Look through the primer hole and check for proper alignment. Correct as required (step l or step m).
- p. Continue to elevate tube manually in 100 mil increments up to 600 mils, while observing plumblin. Jack the weapon as required to keep vertical crosshair parallel to plumblin.
- q. Slowly depress tube to zero mils while observing plumblin. The crosshair should track the plumblin. If it does, the trunnions are level.
- r. If it does not track, repeat steps n thru q until the proper alignment is obtained without moving the jacks.
- s. If plumblin cannot be tracked, report to unit maintenance.



MISALIGNED
RIGHT



PROPER
ALIGNMENT



MISALIGNED
LEFT

02pc052m

3-10.4 Boresighting the Weapon.

Boresight using the test target method (para 2-16.6).

3-10.5 Leveling the Tube Using the Gunner's Quadrant.

NOTE

Top surfaces of muzzle quadrant seat must be free of paint prior to being used for taking readings with gunner's quadrant.

The cannon has quadrant seats on the top muzzle end of the tube and on the top of the breechring. The embedded correction (the difference between muzzle and breech correction) is measured rather than being stamped on the breech. (Breechblocks that have stamped embedded corrections should be disregarded during tube leveling test).

3-10 TESTING PROCEDURES FOR FIRE CONTROL ALIGNMENT - CONTINUED

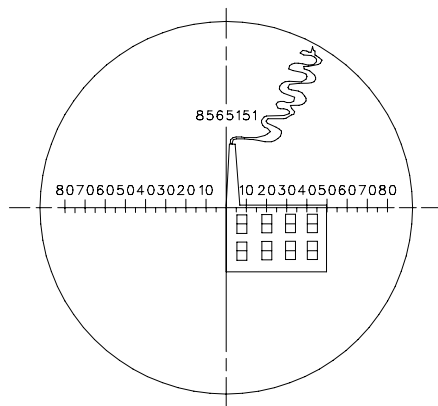
3-10.5 Leveling the Tube Using the Gunner's Quadrant - Continued

- a. Place a tested gunner's quadrant on the top surface of muzzle quadrant seat. Apply only the gunner's quadrant correction, if any, and center the bubble by manually elevating or depressing the tube. The tube is now at 0 mils.
- b. Move gunner's quadrant to elevation seats on breechring and center the bubble. The difference between 0 mils at muzzle end and the reading taken at breechring is the breech correction.
- c. Add gunner's quadrant correction and breech correction; for example:

Gunner's quadrant correction	-0.4
breech correction	<u>+1.9</u>
Place on gunner's quadrant	+1.5

NOTE

- Failure to compensate for breech correction will result in misalignment on weapon being checked.
 - The breech correction shall be redetermined when a breech is retubed.
- d. Apply the total correction on the gunner's quadrant. Place gunner's quadrant on elevation seats on breech ring and center bubble by elevating or depressing the tube. When the bubble centers, the tube is level.
 - e. Record the breech correction in the remarks column on DA Form 2408-4 (see example next page). Refer to the breech correction when making elevation settings with the gunner's quadrant.



M117A2 RETICLE IMPOSED
ON REFERENCE POINT

05pc025m

3-10 TESTING PROCEDURES FOR FIRE CONTROL ALIGNMENT - CONTINUED

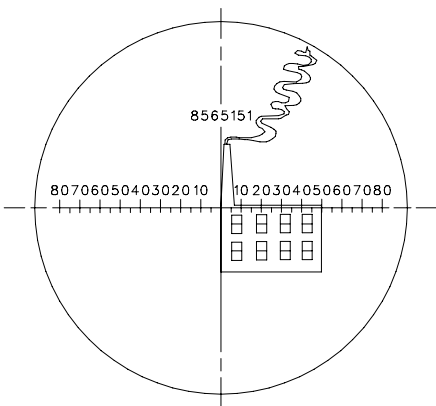
3-10.6 Testing Reliability of Deflections.

- a. Install panoramic telescope M117A2 in mount M145A1 (para 2-10.2).
- b. Center the bubbles in the cross-level (1) and pitch-level (2) vials of the panoramic telescope mount M145A1.
- c. Set the gunner's aid counters (3) to 0.

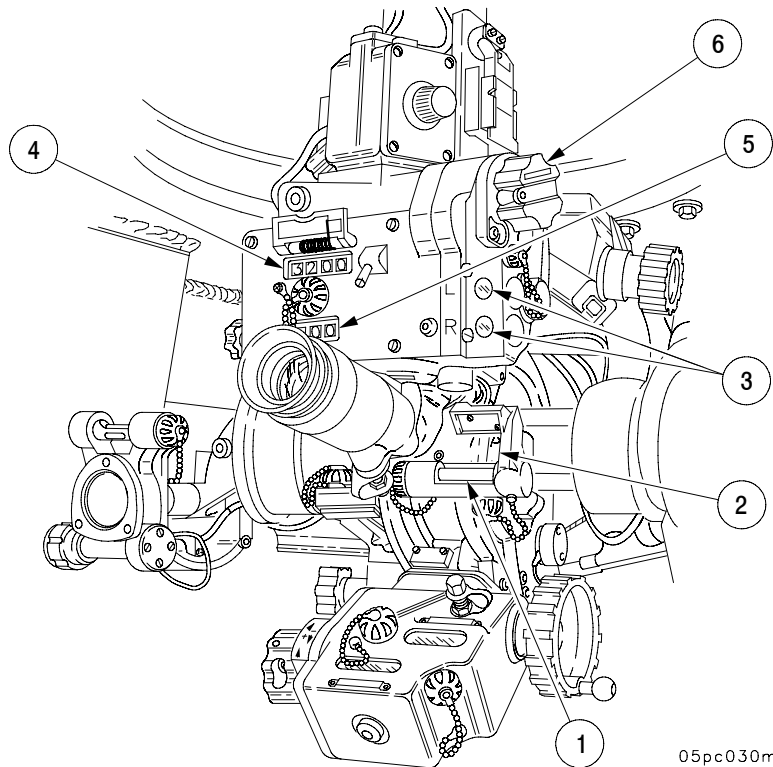
NOTE

You can make a parallax shield in two ways. Place a pin hole in the center of a dust cap, or mark off a small opening using strips of tape. The idea is to prevent eye movement.

- d. Sight on a reference point at least 50 meters away. (If the reference point is less than 50 meters away, you must use a parallax shield.)
- e. Record the reading on the azimuth counter (4). Reset the reset counter (5) to 3200.
- f. Turn the azimuth deflection knob (6) in a clockwise direction until you have rotated the telescope through two complete revolutions of the head and returned to the reference point.



M117A2 RETICLE IMPOSED
ON REFERENCE POINT



05pc030m

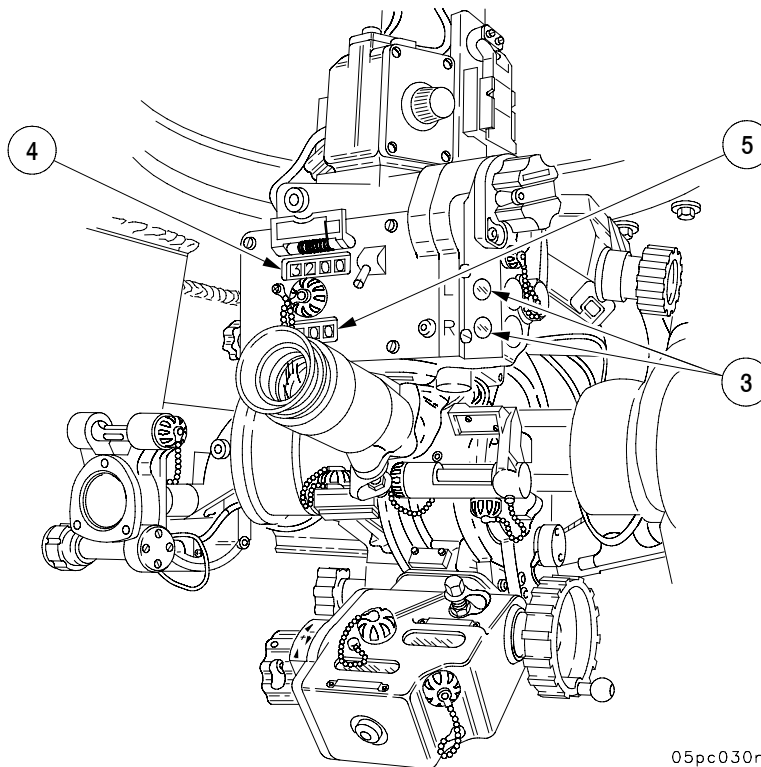
3-10 TESTING PROCEDURES FOR FIRE CONTROL ALIGNMENT - CONTINUED

3-10.6 Testing Reliability of Deflections - Continued

NOTE

If you pass the reference point on the second revolution, rotate the panoramic telescope at least 50 mils in the opposite direction (counterclockwise) and reapproach the reference point from left to right. This is done to eliminate induced backlash.

- g. The reading on the azimuth counter (4) should be the same as that recorded at the start of the test within ± 1 mil. If not, notify unit maintenance.
- h. The reading on the reset counter (5) should be 6000 ± 1 mil. If not, notify unit maintenance.
- i. The reading on the gunner's aid counters (3) should still be at 0. If not, notify unit maintenance.
- j. If readings do not appear in steps g, h, and i above, the telescope is out of adjustment and should be reported to unit maintenance.

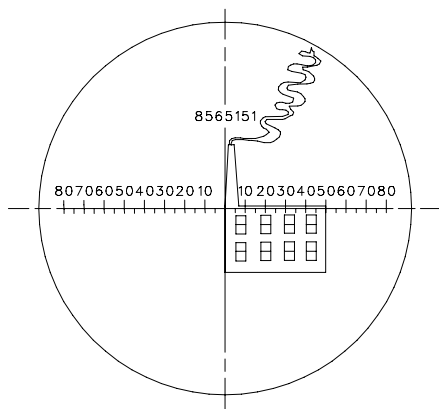


05pc030ma

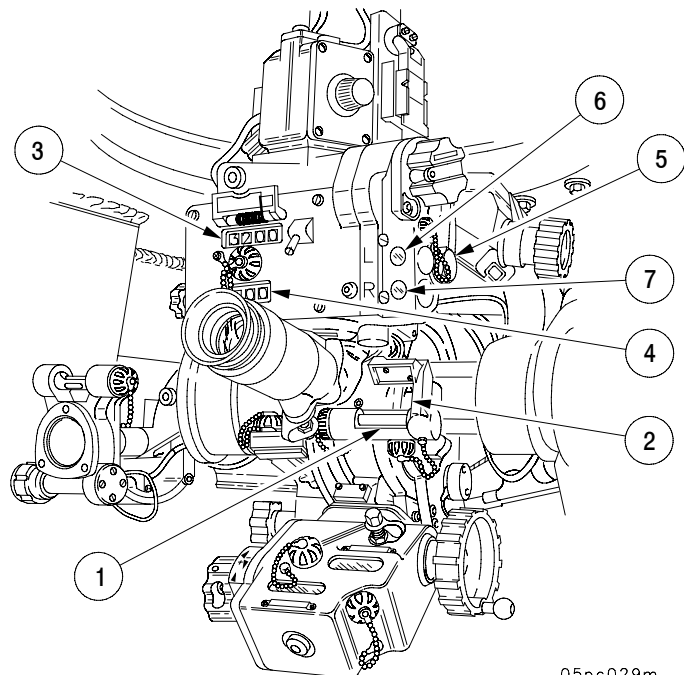
3-10 TESTING PROCEDURES FOR FIRE CONTROL ALIGNMENT - CONTINUED

3-10.7 Testing Reliability of Special Corrections.

- a. Center the bubbles in the cross-level vial (1) and pitch-level vial (2) of the panoramic telescope mount M145A1.
- b. Look through the eyepiece and sight on a reference point at least 50 meters away. (If the point is less than 50 meters away, use a parallax shield.)
- c. Record the reading on the azimuth counter (3). Reset the reset counter (4) to 3200.
- d. Turn the gunner's aid knob (5) to insert 10 mils into the left gunner's aid counter (6).
- e. Now check the following:
 - (1) The line of sight must be on the reference point.
 - (2) The reading on the azimuth counter (3) should not change by more than 1/4 mil.
 - (3) The reset counter (4) should be changed by 10 mils.
- f. Repeat steps d and e for 20, 30, and 40 mils.
- g. Repeat steps d, e, and f using the right gunner's aid counter (7).
- h. If checks are not as stated in step e, the telescope is out of adjustment and should be reported to unit maintenance.



M117A2 RETICLE IMPOSED ON REFERENCE POINT



05pc029m

3-10 TESTING PROCEDURES FOR FIRE CONTROL ALIGNMENT - CONTINUED

3-10.8 Testing Telescope Mount M145A1 (Azimuth Walk-off).

- a. Recheck trunnions. They must be level before conducting this test.

NOTE

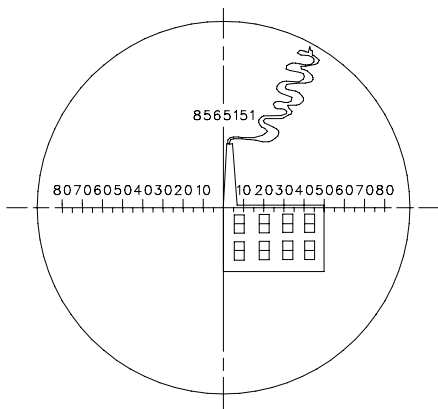
If this test is being performed independently, you must install panoramic telescope M117A2 in mount M145A1, and depress tube to zero mils before doing step b.

- b. Center the bubbles in the cross-level vial (1) and pitch-level vial (2).
- c. Turn the azimuth deflection knob (3) to place the vertical reticle of the panoramic telescope on any stationary object, at any deflection. Be sure to approach the object from left to right. (If the object is less than 50 meters away, use a parallax shield.) Record the reading on the azimuth counter (4) to the nearest 1/4 mil.

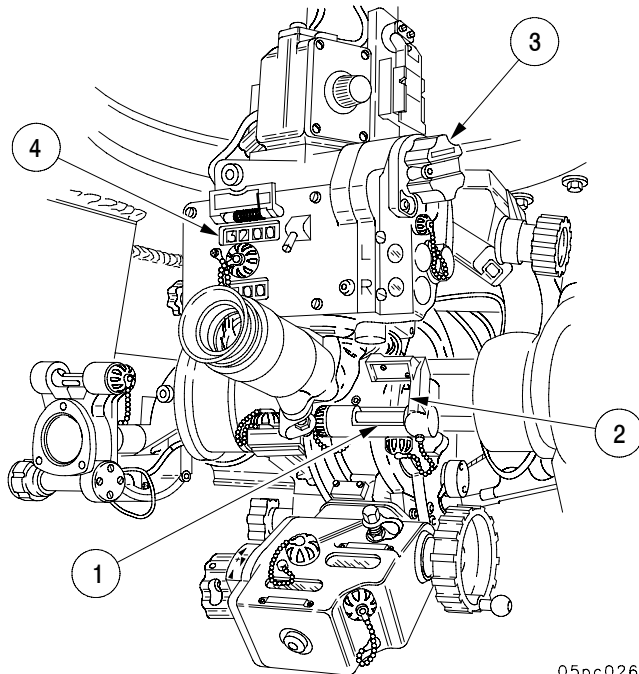
NOTE

Be careful not to traverse the tube.

- d. Elevate the tube to 400 mils. Center the bubbles in the cross-level vial (1) and pitch-level vial (2) and turn the azimuth deflection knob (3) to realign the vertical reticle on the same stationary object. The reading on the azimuth counter (4) must be within ± 1 mil of the reading taken in step c. If not, notify unit maintenance.



M117A2 RETICLE IMPOSED ON REFERENCE POINT



05pc026m

3-10 TESTING PROCEDURES FOR FIRE CONTROL ALIGNMENT - CONTINUED

3-10.8 Testing Telescope Mount M145A1 (Azimuth Walk-off) - Continued

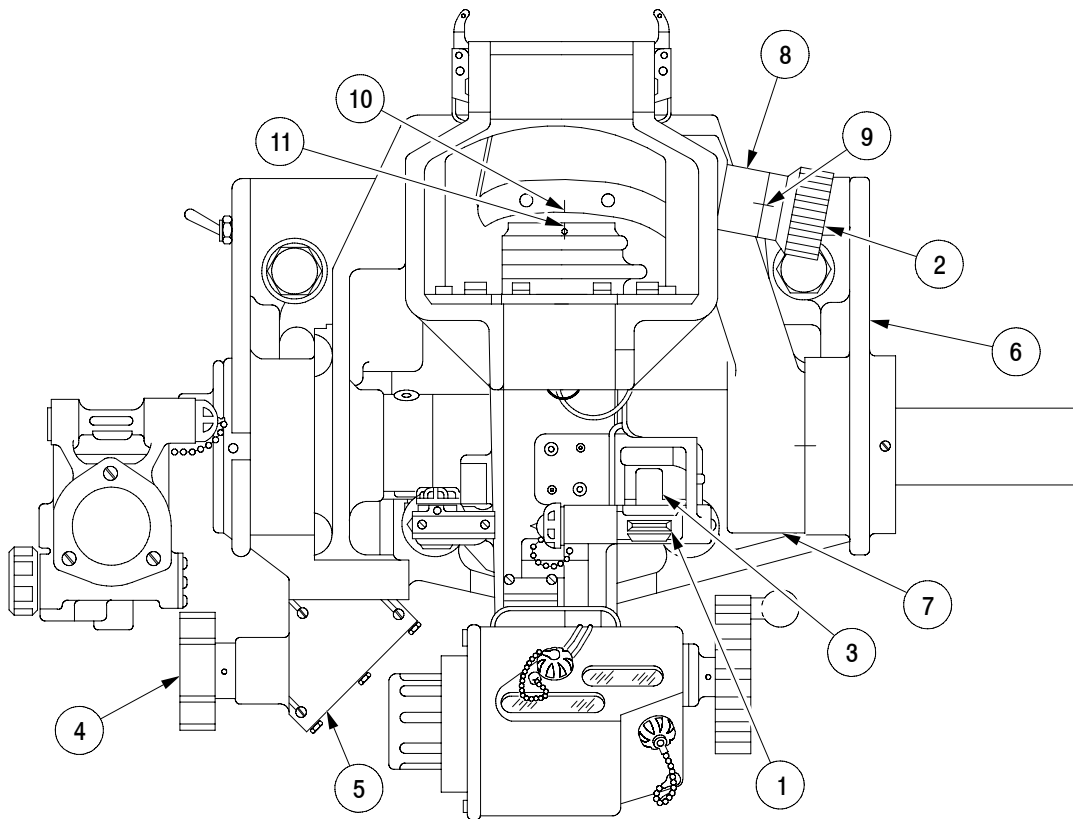
- e. Elevate the tube to 900 mils. Center the bubbles in the cross-level vial (1) and pitch-level vial (2) and realign the vertical reticle (as in step c) on the same stationary object from left to right. The reading on the azimuth counter (4) must be within ± 2 mils of the reading taken in step c. If not, notify unit maintenance.

3-10.9 Scribing the M145A1 Mount and Testing.

- a. Level trunnions (para 3-10.3).
- b. Zero tube using tested gunner's quadrant (para 3-10.5).
- c. Center cross-level vial bubble (1) by turning cross-level knob (2).
- d. Center pitch-level vial bubble (3) by turning the pitch knob (4).
- e. Scribe one line from pitch knob (4) to bracket (5).
- f. Scribe another line across from bracket (6) to rocker (7).
- g. Align scribe lines on cross-level knob (2) and housing (8) by loosening two screws on cross-level knob (2) and slip aligning index (9) to scribe line on housing (8); retighten two screws on cross-level knob (2).

(1) Remove PANTEL.

(2) Scribe line from housing (10) to body (11) and install PANTEL.

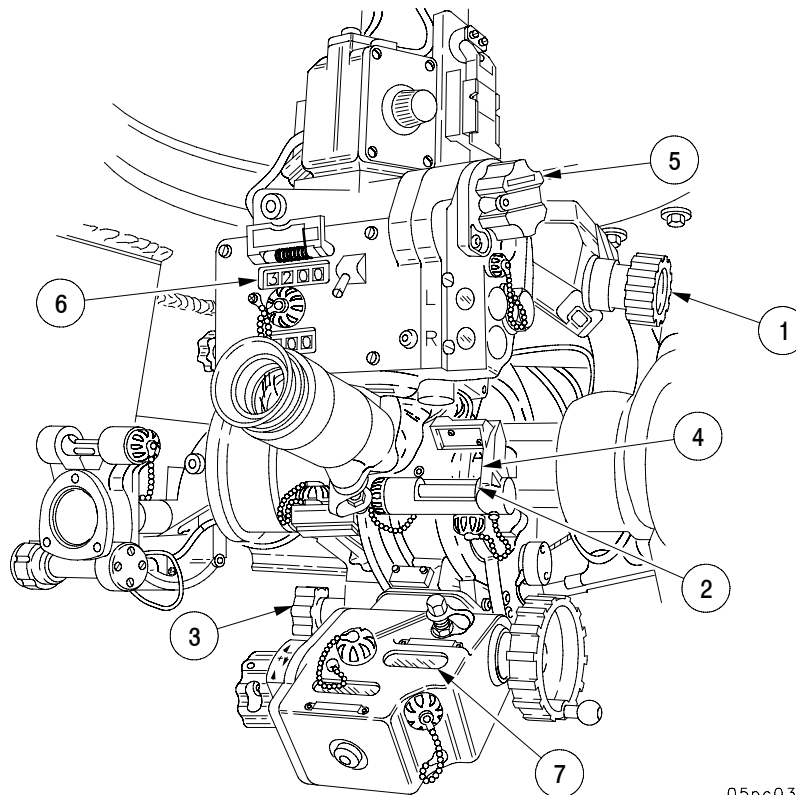


05pc028m

3-10 TESTING PROCEDURES FOR FIRE CONTROL ALIGNMENT - CONTINUED

3-10.10 Scribe Verification Using the M145A1 PANTEL Mount Check.

- a. With the howitzer still on the jacks, level the tube using the gunner's quadrant on the breech seats.
- b. On the M145A1 mount, turn the cross-level knob (1) and center the cross-level bubble (2). Turn the pitch knob (3) and center the pitch-level bubble (4).
- c. Look through the eyepiece on the PANTEL and turn the azimuth deflection knob (5) to rotate the telescope. Choose a well-defined aiming point, moving the head of the telescope from left to right when choosing the aiming point.
- d. Record the reading that is on the azimuth counter (6).
- e. Set the quadrant elevation counter (7) to 900 mils and elevate the tube to 900 mils.
- f. With the tube at 900 mils elevation, center cross-level vial bubble (2) on the M145A1 PANTEL mount.
- g. Look through the eyepiece on the PANTEL again and find the same aiming point. Be sure to move the head of the PANTEL from left to right. If the sight is off to the right of the aiming point, you will have to turn the head of the PANTEL at least 50 mils in the opposite direction and reapproach the reference point from left to right to eliminate any induced backlash.
- h. Record the reading that is on the azimuth counter (6).



05pc034m

3-10 TESTING PROCEDURES FOR FIRE CONTROL ALIGNMENT - CONTINUED

3-10.10 Scribe Verification Using the M145A1 PANTEL Mount Check - Continued

NOTE

The difference between the two readings taken on the 6400 mil azimuth counter (steps d and h) should not be over ± 1 mil. If it is, you should notify unit maintenance to check the M145A1 PANTEL mount. However, for purpose of this test, the ± 1 mil tolerance is not critical.

- i. The difference in the readings on the azimuth counter at zero mil (step d) and 900 mils elevation (step h) is the amount of error in the PANTEL sight mount.
- j. Record the amount of error in the PANTEL sight mount in accordance with unit SOP.

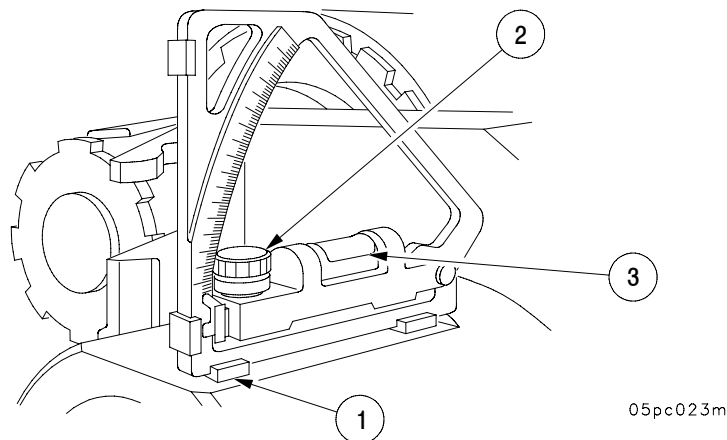
3-10.11 Testing the Auxiliary Quadrant on M145A1 Mount Using the Gunner's Quadrant.

NOTE

Before doing this test, you must level the trunnions.
Zero the tube using gunner's quadrant.

- a. Place the gunner's quadrant on the breech quadrant seats (1). Apply the gunner's quadrant correction, if any, and the breech correction.
- b. Turn the micrometer knob (2) to center the bubble (3) in the gunner's quadrant. The value of the gunner's quadrant should not change more than 0.5 mil. If the value changes more than 0.5 mil, notify unit maintenance.

EXAMPLE: The sum of the gunner's quadrant correction and breech corrections is -0.4 . The value of the gunner's quadrant should be between -0.9 and $+0.1$.

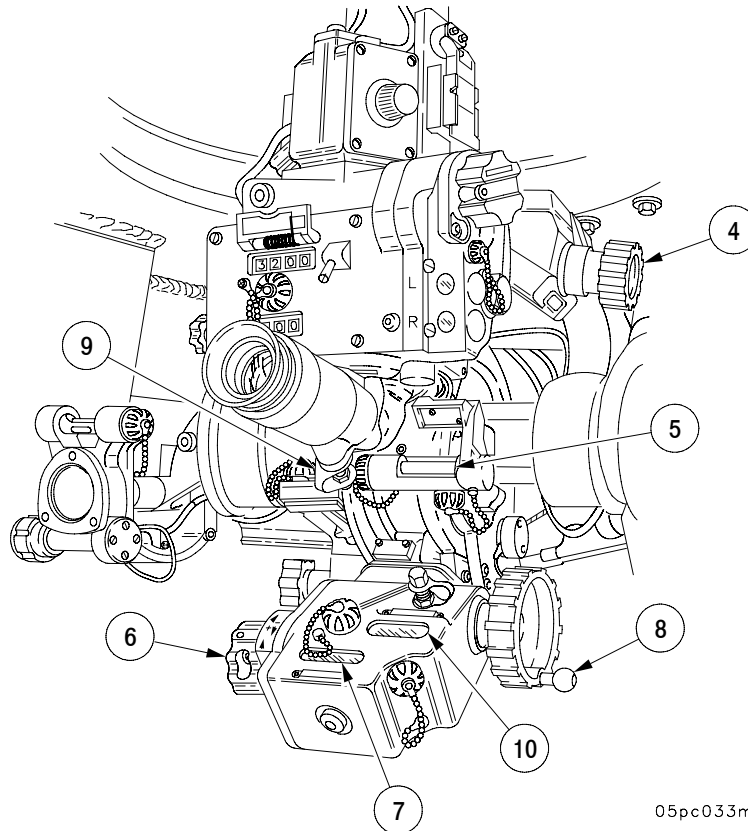


05pc023m

3-10 TESTING PROCEDURES FOR FIRE CONTROL ALIGNMENT - CONTINUED

3-10.11 Testing the Auxiliary Quadrant on M145A1 Mount Using the Gunner's Quadrant - Continued

- c. On the M145A1 mount, turn the cross-level knob (4) and center bubble in the cross-level vial (5).
- d. Turn elevation correction knob (6) and zero the correction counter (7).
- e. Turn elevation handwheel (8) and center bubble on the elevation level vial (9).
- f. Check reading on elevation counter (10). It should read no less than 9999 (-1 mil elevation) and no more than 0001 (+1 mil elevation). If it is not between 9999 and 0001, notify unit maintenance.
- g. Zero all counters.
- h. Using the M145A1 mount, elevate or depress the tube to zero mils elevation.

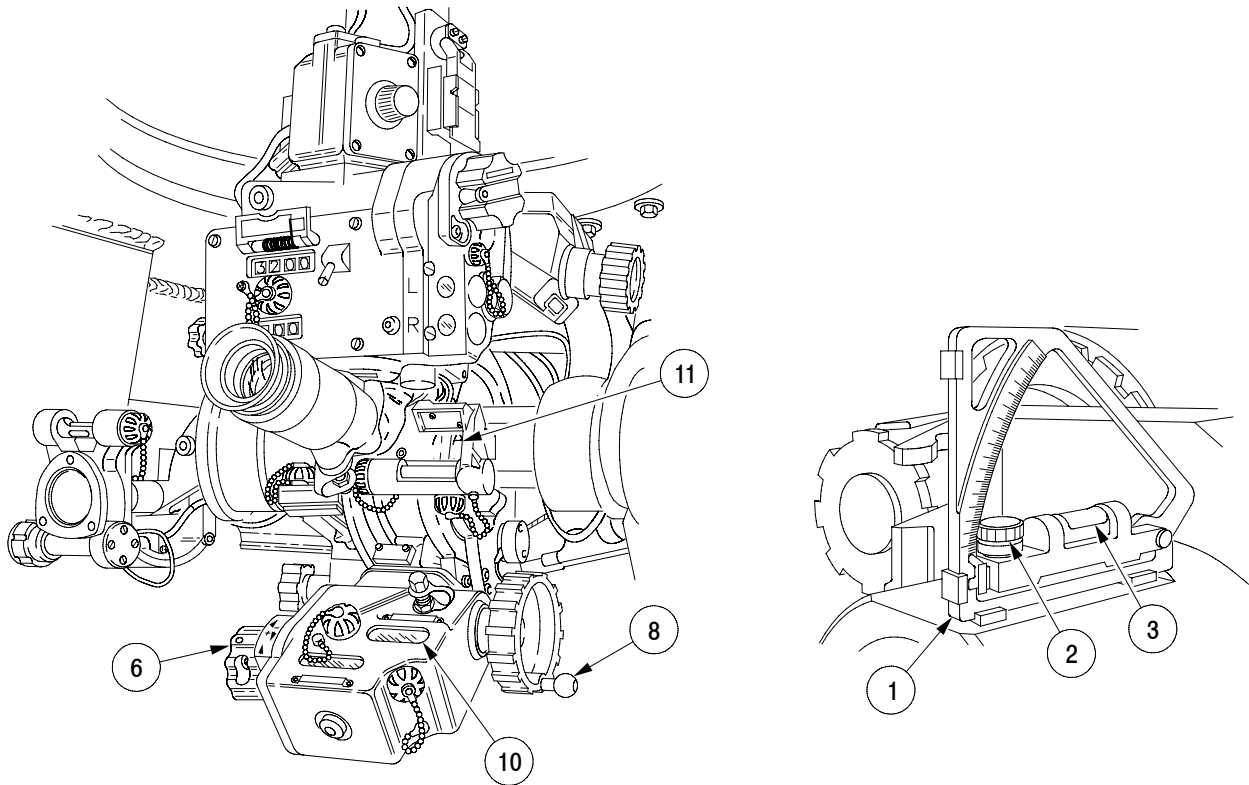


05pc033m

3-10 TESTING PROCEDURES FOR FIRE CONTROL ALIGNMENT - CONTINUED

3-10.11 Testing the Auxiliary Quadrant on M145A1 Mount Using the Gunner's Quadrant - Continued

- i. Set the gunner's quadrant on breech quadrant seats (1). Turn micrometer knob (2) and center bubble (3) in level vial. Record the value on the gunner's quadrant.
- j. On the M145A1 mount, turn elevation correction knob (6) to place a +5 mil reading on the elevation counter (10). It should have changed by 5 mils. If it doesn't, notify unit maintenance.
- k. On the M145A1 mount, turn the elevation handwheel (8) until elevation counter (10) reads 0.
- l. Elevate or depress tube until the pitch-level vial bubble (11) centers.
- m. Place +5 mils and the value recorded in step i on the gunner's quadrant. Set the gunner's quadrant back on the breech quadrant seats. The gunner's quadrant bubble (3) should center. If it does not, notify unit maintenance.
- n. Zero all counters. Repeat steps h thru m; only this time use a value of -5 mils. If the gunner's quadrant bubble (3) does not center, the correction counter is inaccurate. Notify unit maintenance.
- o. Remove the -5 mils from the gunner's quadrant.
- p. Using the M145A1 mount, zero the tube.
- q. Set the gunner's quadrant on the breech quadrant seats (1). Level the bubble (3) on the gunner's quadrant using the micrometer knob (2). Record the value on the gunner's quadrant.



05pc032m

3-10 TESTING PROCEDURES FOR FIRE CONTROL ALIGNMENT - CONTINUED

3-10.11 Testing the Auxiliary Quadrant on M145A1 Mount Using the Gunner's Quadrant - Continued

- r. Using the M145A1 mount, elevate the tube from 0 mil to 400 mils and then to 800 mils. At each elevation, place the elevation counter (10) reading (400, then 800) plus the value recorded in step q on the gunner's quadrant.

EXAMPLE:

Elevation placed on elevation counter	400.0	800.0
Value measured in step q at zero elevation	<u>+00.7</u>	<u>+00.7</u>
Values placed on gunner's quadrant	400.7	800.7

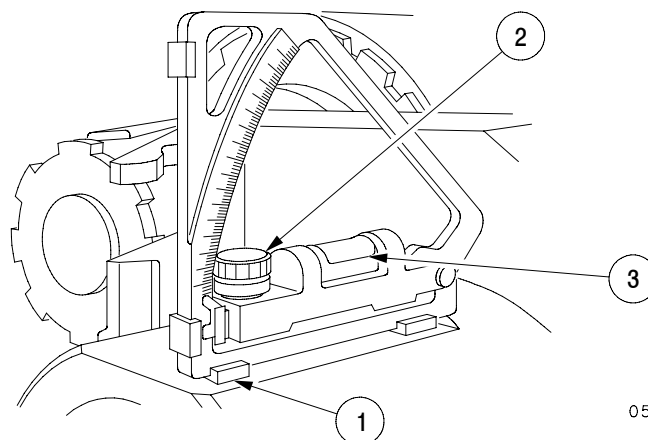
- s. Set the gunner's quadrant on the breech seats (1). The bubble (3) in the gunner's quadrant should center. If the bubble centers, the test is complete. If the bubble (3) does not center, center it by turning the micrometer knob (2). After centering the gunner's quadrant, read the value now on the counter. It should not have changed more than +0.5 mil from the original reading. If it does, the M145 mount is in error. Notify unit maintenance.

3-10.12 Testing the M145A1 Mount Using the Gunner's Quadrant on the Breech Quadrant Seats.

NOTE

Before doing this test, you must level the trunnions.
Zero the tube using the tube leveling fixture.

- a. Open the breechblock and leave the handle unlocked.
- b. Place a gunner's quadrant on the breech quadrant seats (1).
- c. Using the micrometer knob (2), apply both the breech correction and the gunner's quadrant correction to the gunner's quadrant.
- d. With gunner's quadrant on breech seat and line of fire arrow pointing toward muzzle, elevate or depress the tube until bubble (3) in gunner's quadrant is centered.
- e. Secure handle and close breechblock.



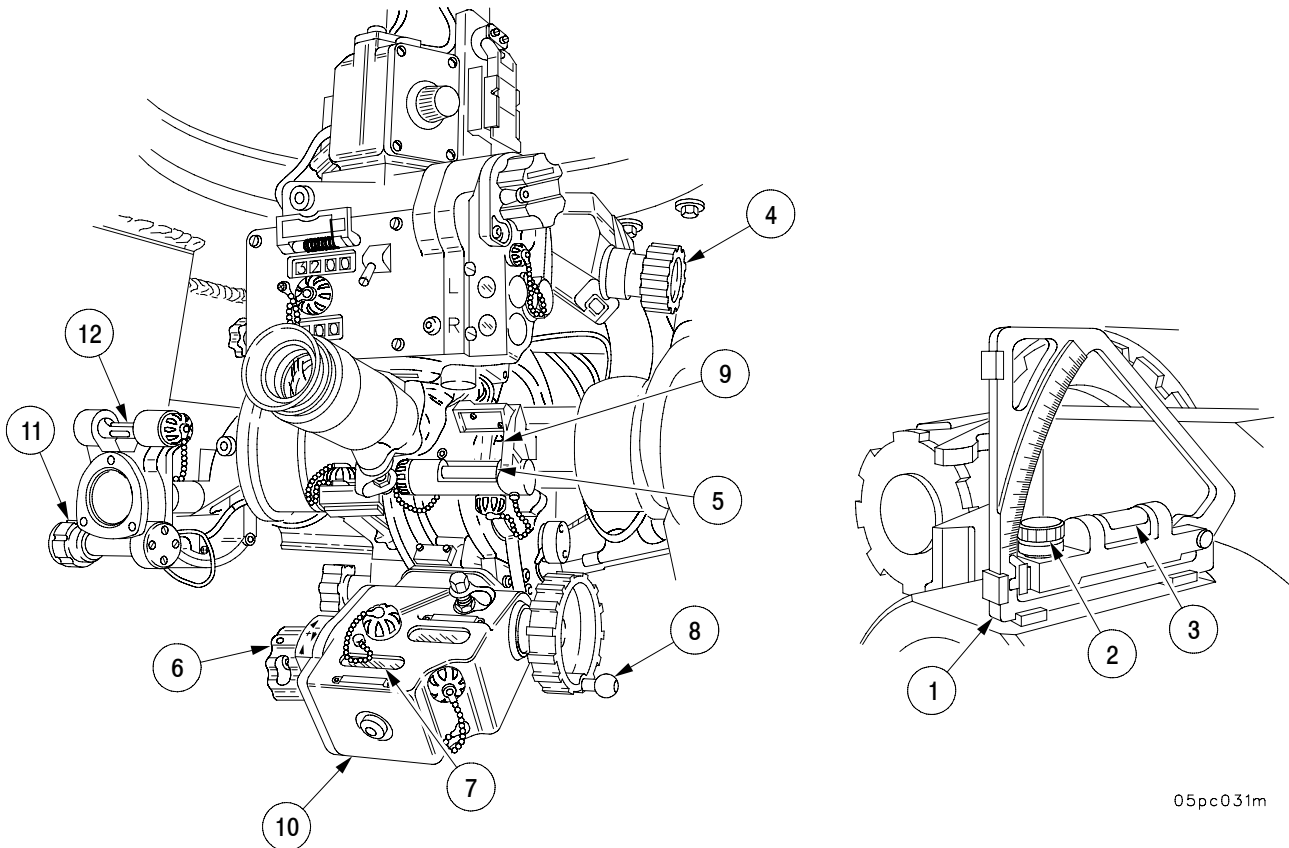
05pc023m

3-10 TESTING PROCEDURES FOR FIRE CONTROL ALIGNMENT - CONTINUED

3-10.12 Testing the M145A1 Mount Using the Gunner's Quadrant on the Breech Quadrant Seats - Continued

- f. On the M145A1 mount, turn the cross-level knob (4) and center bubble in the cross-level vial (5).
- g. Turn elevation correction knob (6) and zero the correction counter (7).
- h. Turn elevation handwheel (8) and center bubble on the pitch-level vial (9).
- i. Using the micrometer knob (2), apply only the gunner's quadrant correction to the gunner's quadrant.
- j. Place the gunner's quadrant (1) on the quadrant seat on the left side on the M145A1 mount (10).
- k. Cross level the gunner's quadrant seat by turning the quadrant level knob (11) until the bubble in the quadrant cross-level vial (12) is centered.
- l. Using the micrometer knob (2), center the bubble (3) in the gunner's quadrant.
- m. Read the value on the gunner's quadrant. If the value has changed by more than 0.5 mil, notify unit maintenance.

EXAMPLE: Gunner's quadrant correction is -0.4 mil. The value on gunner's quadrant should be between -0.9 and +0.1 mil.



05pc031m

3-11 AFCS/PDFCS CONFIDENCE TESTS.

3-11.1 Verification of Position and Direction Using Survey Data.

NOTE

To perform the direction tests, it is important that the spheroid and grid zone stored in the AFCS/PDFCS map mod are correct for the area of operation. If the AFCS/PDFCS spheroid and grid zone are incorrect, get a correct map mod from BCS (select GET INITIALIZATION on the BCS DATA XFER menu) or enter the correct spheroid and grid zone by selecting ENTER MAP MOD on the SETUP AND INFORMATION menu.

During field training or combat, the position and direction data shown by the AFCS/PDFCS can be checked by using a surveyed location. The built-in-test (BIT) does not fully assure that the AFCS/PDFCS accuracy is within tolerance.

To perform the position test, two carefully surveyed points about 3-4 km apart are required, with an accuracy of 1:1000 or better.

To perform the direction test, there are three options:

- Surveyed orienting station and end of orienting line (OS/EOL). The OS should be at least 100 meters from the howitzer survey point.
- A surveyed azimuth to a distant aiming point (DAP) that is at least 1500 meters away from the survey point. A closer point may be used, but the test will not be as accurate.
- When no survey azimuth is available, a deflection test using the PANTEL is possible.

Perform the tests as follows.

3-11.1.1 Verification of Position Using Survey Points.

- a. Initialize the AFCS/PDFCS with the howitzer left front sprocket within one meter of the first survey point. Ensure easting, northing, and altitude match the data posted on the survey marker.

NOTE

If a surveyed azimuth to a DAP will be used for a direction test at the second survey point, then the BCS move order should include the azimuth to DAP as the center of sector. If a manual move order is used, first enter the azimuth to DAP as the center of sector on the DEFINE SECTOR OF FIRE menu (select SECTOR OF FIRE from SETUP AND INFORMATION menu). Then by positioning howitzer at second survey point with vehicle heading aligned with center of sector, you will ensure the tube is pointed toward the DAP.

- b. After the nav subsystem is fully aligned, receive a move order from BCS (destination INIT POINT) to the second survey point. If BCS is not available, enter a manual move order to the second survey point.
- c. Move to the second survey point without stopping.
- d. Upon arrival at the survey point, position howitzer with the left front sprocket within one meter of survey point. Wait 30 seconds before proceeding to next step.

3-11 AFCS/PDFCS CONFIDENCE TESTS - CONTINUED

3-11.1 Verification of Position and Direction Using Survey Data - Continued

3-11.1.1 Verification of Position Using Survey Points - Continued

- e. With the STEER TO screen displayed, read and record AFCS/PDFCS position data under POSN (easting, northing, and altitude) and the range to destination (RNG) in the upper right corner of the screen. Subtract the POSN altitude from the DESTN altitude.
- f. Compare the data obtained in step e with the following tolerances.

RNG	26 meters or less
Altitude Difference	± 26 meters

- g. If the AFCS/PDFCS data is within tolerance, but the POSN easting, northing, and altitude do not match the survey marker data exactly, then press ARRIVED key and do a NAV POSN UPDATE, using the NAV POSN UPDATE screen from the SETUP AND INFORMATION menu.
- h. If AFCS/PDFCS data is within tolerance, position test is complete. Skip the steps below and proceed to the chosen method for testing direction.
- i. If the AFCS/PDFCS data is out of tolerance, verify the DESTN easting, northing, and altitude matches the data on the survey marker. If they do not match, record the survey marker data for later use.
- j. Press ARRIVED key. Select NAV POSN UPDATE from the SETUP AND INFORMATION menu to enter the survey marker data. Do a NAV POSN UPDATE by pressing the USE ALL key.
- k. After the nav subsystem is fully aligned, receive a MOVE ORDER from BCS (or do a manual move order) to the first survey point.
- l. Move to the first survey point without stopping.
- m. Repeat steps d through f at the first survey point. Record the data and note whether the AFCS/PDFCS is in or out of tolerance.
- n. Press ARRIVED key. Select NAV update from the SETUP AND INFORMATION menu to enter the survey marker data. Do a NAV position update by pressing the USE ALL key.
- o. After the nav subsystem is fully aligned, receive a move order from BCS (or do a manual move order) to the second survey point.
- p. Move to the second survey point without stopping.
- q. Repeat steps d through f at the second survey point. Record the data and note whether the AFCS/PDFCS is in or out of tolerance.
- r. If the AFCS/PDFCS was out of tolerance two out of three trials, notify unit maintenance.
- s. If the AFCS/PDFCS was in tolerance two out of three trials, press ARRIVED key. Select NAV UPDATE from the SETUP AND INFORMATION menu and enter the second survey marker data. Do a NAV POSN UPDATE by pressing USE ALL key. Proceed to the chosen method for testing direction.

3-11.1.2 Verification of Direction Using an OS/EOL.

The AFCS/PDFCS nav subsystem uses gyros to align the system to north. Checks of AFCS/PDFCS direction may be accomplished using survey points and the M2 aiming circle, or a theodolite. Perform the test as follows.

- a. Ensure the howitzer is fully initialized and emplaced at the survey point on level ground. Ensure that a NAV POSN UPDATE has been done using the survey marker data.
- b. Unstow the tube. Install muzzle crosshairs.
- c. Set up and level the aiming circle over the OS.

3-11 AFCS/PDFCS CONFIDENCE TESTS - CONTINUED

3-11.1 Verification of Position and Direction Using Survey Data - Continued

3-11.1.2 Verification of Direction Using an OS/EOL - Continued

- d. Place the azimuth of the Orienting Line (OL) on the aiming circle using the upper (recording) motion.
- e. Sight the aiming circle on the EOL using the lower (non-recording) motion.
- f. Sight the aiming circle toward the howitzer using the upper (recording) motion.
- g. Using the primer vent hole and muzzle crosshairs, align the cannon bore on the aiming circle lens.
- h. With the upper (recording) motion of the aiming circle, align the vertical crosshair on the center of the cannon bore. Aiming circle operator announces "NUMBER (SO AND SO) REFER, AIMING POINT THIS INSTRUMENT."
- i. Read the azimuth to the cannon bore. This corresponds to the back azimuth of the cannon bore.
- j. If the aiming circle azimuth to the tube is greater than 3200, subtract 3200 to obtain tube pointing azimuth. If the aiming circle azimuth to the tube is less than 3200, add 3200 to obtain tube pointing azimuth.
- k. Deleted
- l. Select DISPLAY FORMAT from the SETUP AND INFORMATION menu. Change display from DEFLECTION to AZIMUTH and press USE ALL key.
- m. Select FIRE COMMANDS from the SETUP AND INFORMATION menu. When FIRE COMMANDS menu is displayed, press USE ALL to display a FIRE MISSION screen.
- n. Read and record ACTL AZ and QUAD off the FIRE MISSION screen. AFCS/PDFCS operator announces "NUMBER (SO AND SO), AZIMUTH (SO MUCH)".
- o. Aiming circle operator compares the readings from steps j and n. If the difference is with ± 2 mils, the aiming circle operator announces "SAFE".

NOTE

Quadrant should also be checked with a pretested gunner's quadrant. After adjusting for breech correction, reading should compare within ± 2 mils.

- p. AFCS/PDFCS operator compares the readings from steps k and n. If the difference is within ± 2 mils, the direction test is complete. Skip the steps below. Press EOM key on the FIRE MISSION menu to return to the SETUP AND INFORMATION menu. Select DISPLAY FORMAT and change display back to DEFLECTION and press USE ALL key.
- q. If either the azimuth or quadrant difference exceeds ± 2 mils, stow tube. Select NAV UPDATE from SETUP AND INFORMATION menu. When NAV UPDATE menu is displayed, check data and correct if necessary. When data is correct, select FORCE NAV RESTART and press USE ALL key to align the nav subsystem.
- r. Recheck the aiming circle level and position over the stake.
- s. After the nav subsystem is fully aligned, unstow tube and repeat steps d through p.
- t. If results are still out of tolerance, notify unit maintenance.

3-11 AFCS/PDFCS CONFIDENCE TESTS - CONTINUED

3-11.1 Verification of Position and Direction Using Survey Data - Continued

3-11.1.3 Verification of Direction Using an Azimuth to a DAP.

The AFCS/PDFCS nav subsystem uses gyros to align the system to north. Checks of AFCS/PDFCS direction may be accomplished using a survey point and a surveyed azimuth to a DAP at least 1500 meters away. A closer point may be used, but the test will not be as accurate. Perform the test as follows.

- a. Ensure the AFCS/PDFCS is fully initialized and the nav subsystem is fully aligned. Ensure the howitzer is positioned with the left front sprocket within one meter of the survey point. Ensure the howitzer is pointed generally toward the DAP.
- b. Unstow the tube.
- c. Align the cannon bore on the DAP.
- d. Deleted
- e. Select DISPLAY FORMAT from the SETUP AND INFORMATION menu. Change display from DEFLECTION to AZIMUTH and press USE ALL key.
- f. Select FIRE COMMANDS from the SETUP AND INFORMATION menu. When FIRE COMMAND menu is displayed, press USE ALL to display a FIRE MISSION screen.
- g. Read and record ACTL AZ and QUAD off the FIRE MISSION screen.
- h. Compare the azimuth display on the AFCS/PDFCS (ACTL AZ) with the surveyed azimuth to the DAP. Azimuth should compare within ± 2 mils.
- i. Compare the quadrant displayed on the AFCS/PDFCS (ACTL QUAD) with the quadrant elevation off the M145A1 Mount. Quadrant elevation should compare within ± 2 mils.

NOTE

Quadrant should also be checked with a pretested gunner's quadrant. After adjusting for breech correction, reading should compare within ± 2 mils.

- j. If the results are within tolerance, the test is complete. Skip the steps below. Press EOM key on the FIRE MISSION menu to return to the SETUP AND INFORMATION menu. Select DISPLAY FORMAT and change display back to DEFLECTION and press USE ALL key.
- k. If the results are out of tolerance, stow tube. Select NAV UPDATE from SETUP AND INFORMATION menu. When NAV UPDATE menu is displayed, check data and correct if necessary. When data is correct, select FORCE NAV RESTART and press USE ALL key to align the nav subsystem.
- l. After the NAV subsystem is fully aligned, unstow tube and repeat steps c through j.
- m. If results are still out of tolerance, notify unit maintenance.

3-11 AFCS/PDFCS CONFIDENCE TESTS - CONTINUED

3-11.1 Verification of Position and Direction Using Survey Data - Continued

3-11.1.4 Verification of Deflection and Quadrant.

If surveyed azimuth data is not available, you can check the AFCS/PDFCS and the PANTEL for a match in deflection and quadrant elevation. To perform this test, a DAP at least 1500 meters away is needed. Perform the test as follows.

NOTE

The howitzer may be positioned at a survey point if the position test is also being conducted. However, a survey point is not necessary to perform the deflection and quadrant test alone.

- a. Receive a move order from BCS to fire point. If BCS is not available, enter a manual move order to a FIRE POINT.
- b. With the EMPLACE FIRE POINT screen displayed, position howitzer with tube pointed generally toward center of sector (base azimuth).
- c. Press ARRIVED and unstow tube. Install muzzle crosshairs.
- d. Use default value for MAXIMUM TUBE ELEVATION and press USE ALL on the SITE DEFINITION screen. The SECTION IN ORDER AT FIRE POINT screen will be displayed.
- e. Using the power control handle, traverse the tube until ACTL DEFL displays 3200 deflection on the SECTION IN ORDER screen (this is the center of sector or base azimuth).

NOTE

If there is no FPF or priority fire mission on the screen, you may press the LOAD key to traverse the tube to 3200 deflection. Ensure that ACTL DEFL remains on 3200 deflection when you release the LOAD key. Adjust with power control handle, if necessary.

- f. Check boresight of PANTEL with M140/M140A1 alignment device.
- g. Select a DAP that is at least 1500 meters away.
- h. Using the Azimuth deflection knob, align the vertical hairline of the PANTEL on the DAP. Level the pitch and cross level bubbles and check alignment.
- i. Rotate counter rest knob on PANTEL until 3200 appears on reset counter.
- j. Using the primer vent hole and muzzle crosshairs, align the tube on the DAP.
- k. Level pitch and cross level bubbles on PANTEL mount. Using the azimuth deflection knob, align vertical hairline of PANTEL on the DAP. Record PANTEL deflection reading.
- l. Center elevation level vial on M145A1 mount. Record M145A1 quadrant reading.
- m. Read and record the ACTL deflection (DEFL) and quadrant (QUAD) obtained on the PDFCS SECTION IN ORDER screen.
- n. Compare deflections and quadrants obtained in steps k, l, and m. The tolerance between readings is ± 2 mils for both deflection and quadrant.
- o. If AFCS/PDFCS and PANTEL agree within the tolerance, the test is complete. Skip the step below.
- p. If AFCS/PDFCS and PANTEL do not agree with the tolerance, notify unit maintenance.

3-11 AFCS/PDFCS CONFIDENCE TESTS - CONTINUED

3-11.2 Testing the Accuracy of the AFCS/PDFCS Elevation.

NOTE

Before performing this test, ensure that the cannon assembly is properly equilibrated (para 3-8.2) to prevent tube elevation drift.

The AFCS/PDFCS elevation accuracy should be tested whenever the trunnions have been leveled for optical fire control alignment test and measurements. It is suggested that a survey point be put in at the location of these tests for the purpose of proper initialization of the AFCS/PDFCS.

This test is used to verify the AFCS/PDFCS quadrant elevation and gunner's quadrant agree at all elevations. Perform the test as follows.

- a. Initialize the AFCS/PDFCS with the tube stowed in the travel lock.
- b. When the Nav Subsystem is fully aligned, unstow tube, and recheck trunnion level using a plumbline.
- c. Level the tube using a pretested gunner's quadrant on the machined surface just rear of the muzzle brake. Set the gunner's quadrant on the top (widest) surface with the feet aligned with the machined shoulder.
- d. With the tube held at the level position, place the gunner's quadrant on the breech elevation seats. Measure and record breech correction.
- e. Select FIRE COMMANDS from the SETUP AND INFORMATION menu. When FIRE COMMANDS menu is displayed, press USE ALL to display a FIRE MISSION screen.
- f. Read and record ACTL QUAD on the FIRE MISSION screen. QUAD should be zero mils \pm 0.5 mils.
- g. If ACTL QUAD is not within tolerance, notify unit maintenance.
- h. Set the scale of the gunner's quadrant to 100 mils plus the sum of the gunner's quadrant correction and the breech correction.
- i. Place the gunner's quadrant on the breech seats. Elevate the tube (power or manual) until the bubble is centered.
- j. Read and record the ACTL QUAD on the FIRE MISSION screen. If the difference between the ACTL QUAD and the tube elevation exceeds \pm 0.5 mils, verify all settings. Record the difference.
- k. Repeat steps h through j, adding 100 mils elevation each time, until maximum elevation is reached. Then decrease elevation in 100 mil increments and repeat measurements.
- l. Compare all differences to the tolerance of \pm 0.5 mils. If the reading at any elevation exceeds the tolerance, notify unit maintenance.

CHAPTER 4

MAINTENANCE OF AUXILIARY EQUIPMENT

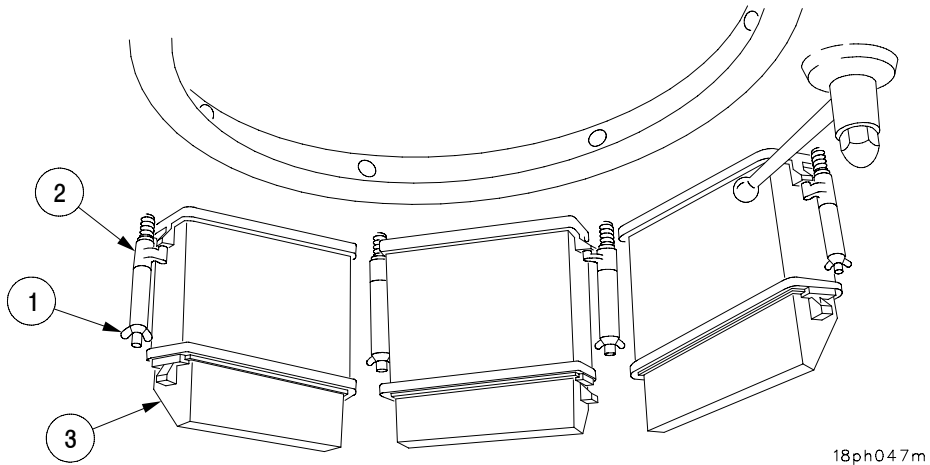
4-1 GENERAL.

Information on maintenance of the auxiliary equipment listed is provided in the following technical manuals:

Viewer, Driver's Night Vision, AN/VVS-2(V)4	TM 11-5855-249-10
Machine Gun, Cal. 50, M2	TM 9-1005-213-10
Mask, Protective, M25A1	TM 3-4240-280-10
Muzzle Velocity Sensor, M93	TM 9-1290-365-14&P
Intercommunication Set	TM 11-5830-340-12
Mounted Water Ration Heater	TM 10-7310-241-12&P
Precision Lightweight GPS (Global Positioning System) Receiver (PLGR) AN/PSN-11	TM 11-5825-291-13
Vehicular Intercommunications System, AN/VIC-3(V)-6	TM 11-5830-263-10
Defense Advanced GPS (Global Positioning System) Receiver (DAGR) AN/PSN-13	TM 11-5820-1172-13
Enhanced Portable Inductive Artillery Fuze Setter (EPIAFS)	TM 9-1290-211-13&P

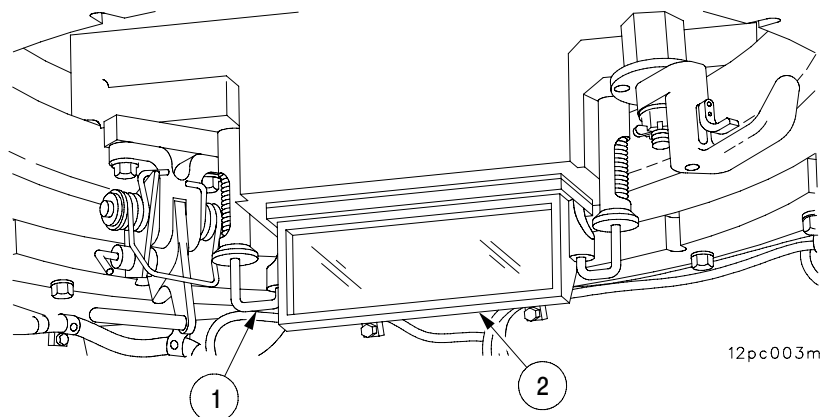
4-2 REMOVING/INSTALLING M45 PERISCOPE.

- a. Loosen two wingnuts (1) to release two lock supports (2).
- b. Remove M45 periscope (3).
- c. Install M45 periscope (3) in two lock supports (2).
- d. Secure lock supports (2) by tightening two wingnuts (1).



4-3 REMOVING/INSTALLING M27 PERISCOPE.

- a. Pull and turn two retainers (1).
- b. Remove M27 periscope (2).
- c. Install M27 periscope (2) and secure with two retainers (1).



4-4 REMOVING/INSTALLING NIGHT VIEWER AN/VVS-2(V)4.

4-4.1 Removing Night Viewer.

WARNING

- Phosphorus material on inside of night viewer is toxic if tube is broken. Be careful not to inhale or allow contact with open skin wounds or with mouth.
- Battery BA-1567/U used in equipment may explode if overheated. Do not operate night viewer on battery when the power cable is attached. This may cause power battery to overheat.
- Battery BA-1567/U uses mercury, which is harmful to the environment. Do not discard batteries. Turn in defective batteries for proper disposal.

CAUTION

- Be sure steering wheel is in down position. Night viewer cannot be removed or installed with steering wheel in up position.
- Do not remove protective cover in daylight or bright night. Image tube can be damaged from bright light entering night viewer, even when equipment is off or unplugged.

4-4 REMOVING/INSTALLING NIGHT VIEWER AN/VVS-2(V)4 - CONTINUED

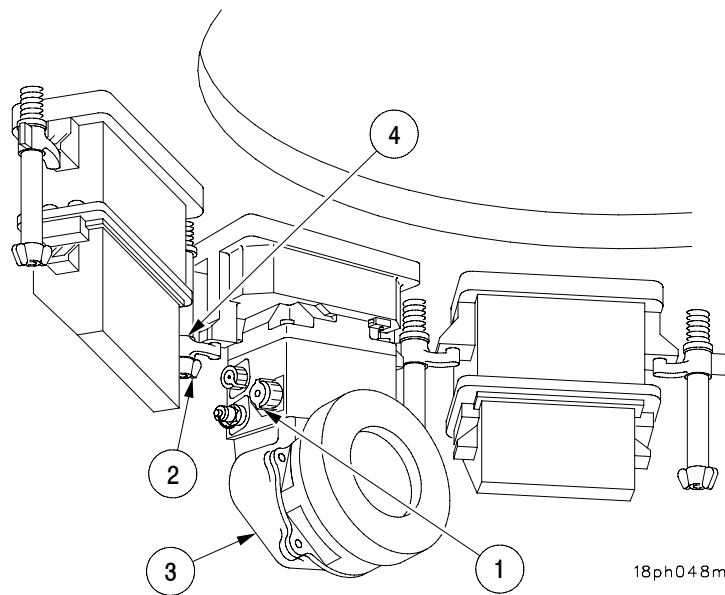
4-4.1 Removing Night Viewer - Continued

- a. Turn operator's control (1) to OFF.
- b. Install plastic eyepiece cover.
- c. Disconnect power cable from receptacle.
- d. Loosen two wingnuts (2) and support night viewer (3) while turning two supports (4) to release night viewer (3).
- e. Remove night viewer (3) and install protective cover.



Remove batteries during long-term stowage of night viewer assembly (TM 11-5855-249-10).

- f. Return night viewer (3) to its stowage position in the night viewer stowage bracket.
- g. Remove M45 periscope from its stowage bracket and reinstall in center opening.



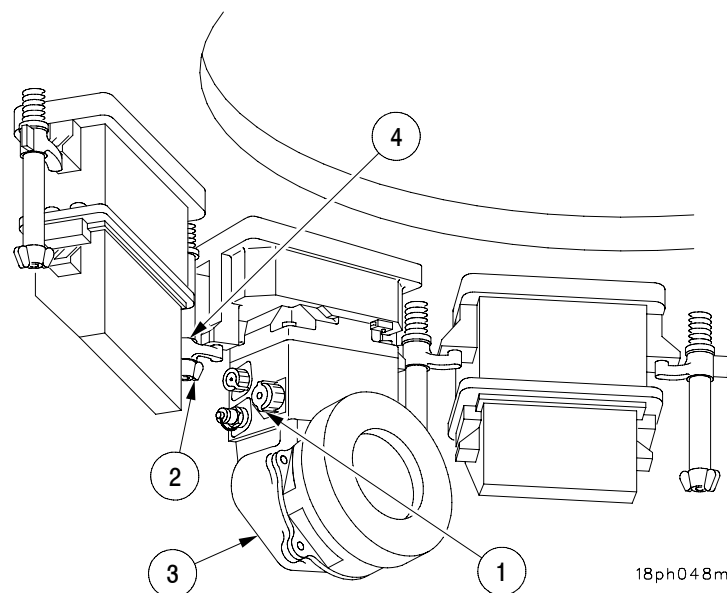
4-4 REMOVING/INSTALLING NIGHT VIEWER AN/VVS-2(V)4 - CONTINUED

4-4.2 Installing Night Viewer.

- a. Place steering wheel in down position.
- b. Remove center M45 periscope and secure in M45 periscope bracket.
- c. Remove protective cover from night viewer assembly (3).
- d. Remove battery from night viewer (3) (TM 11-5855-249-10).
- e. Insert night viewer (3) into periscope opening.
- f. Turn two supports (4) under night viewer mounting plate.
- g. Secure two wingnuts (2).

NOTE

- Power cable is stowed at left side of dome light bracket.
 - If power cable is defective, night viewer may be operated by battery. Notify unit maintenance of defective cable.
- h. Turn operator's control (1) to OFF position.
 - i. Connect power cable to receptacle on night viewer (3).
 - j. Remove plastic cover from eyepiece. Stow cover in convenient location.



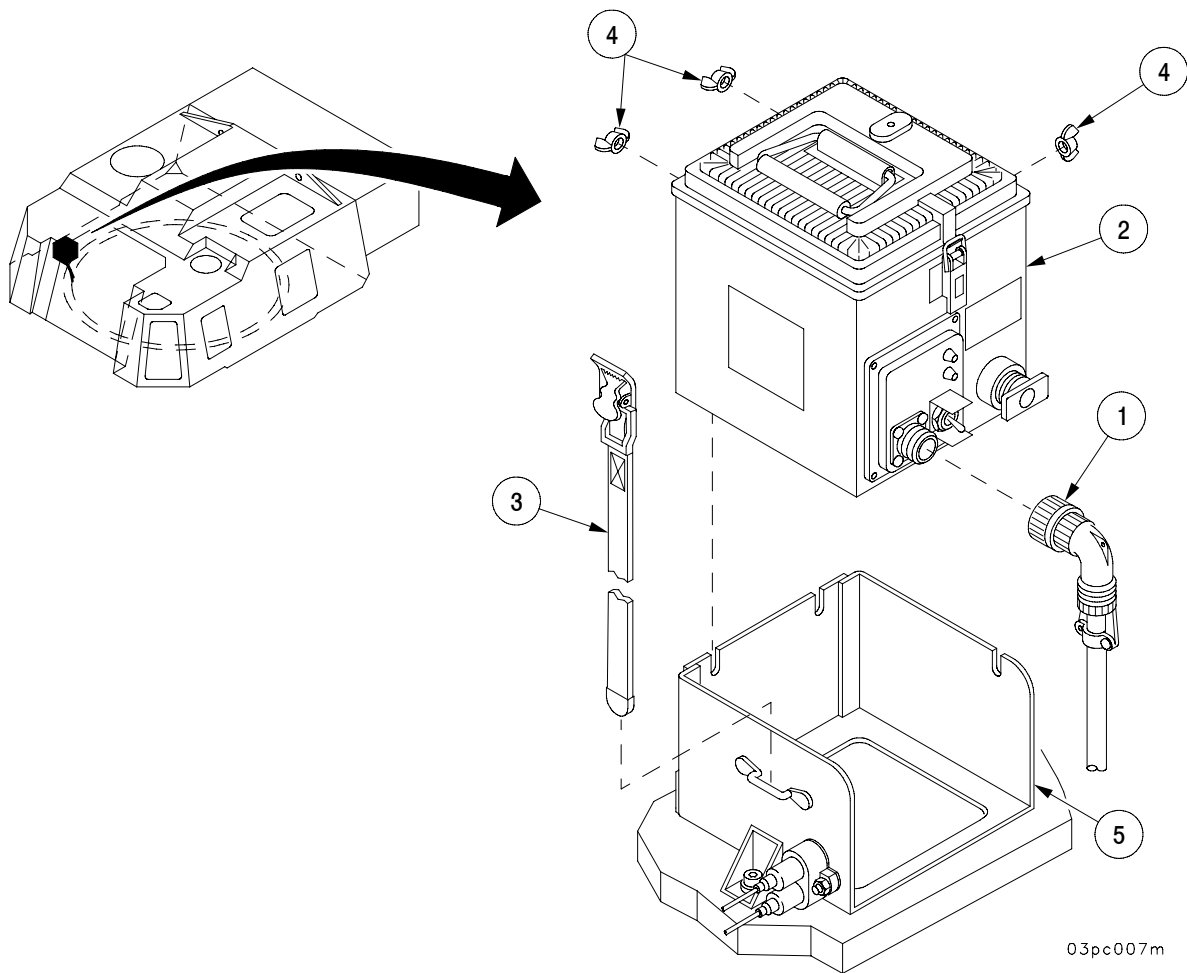
4-5 REMOVING/INSTALLING MOUNTED WATER RATION HEATER (MWRH).

4-5.1 Removal.

- a. Disconnect electrical connector (1) from heater (2).
- b. Unbuckle strap webbing (3) from heater (2).
- c. Loosen three wing nuts (4) securing heater (2) to mounting bracket (5).
- d. Remove heater (2) from mounting bracket (5).

4-5.2 Installation.

- a. Position heater (2) on mounting bracket (5).
- b. Tighten three wing nuts (4) to secure heater (2) to mounting bracket (5).
- c. Buckle strap webbing (3) around heater (2).
- d. Connect electrical connector (1) on heater (2).



CHAPTER 5 AMMUNITION

Section I. GENERAL

5-1 GENERAL.

WARNING

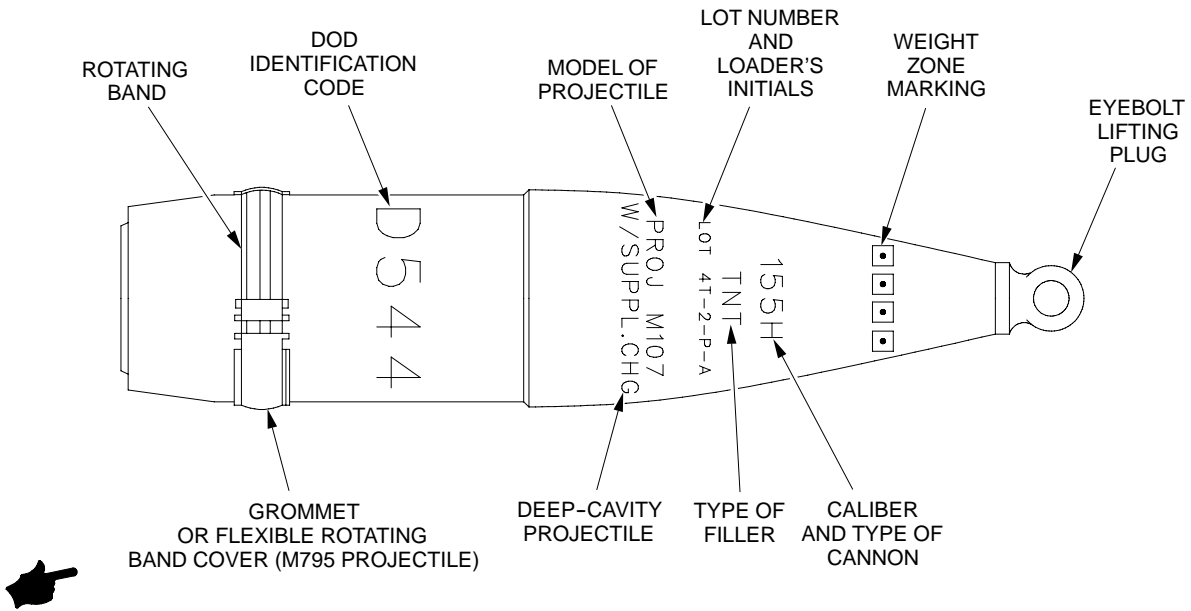
Until safety and reliability testing is completed, the use of ammo other than prescribed in this manual is prohibited.

- a. Ammo for your 155MM howitzer cannon is the separate-loading type. The loading of each complete round into the howitzer cannon requires three separate operations: loading the fuzed projectile, the propelling charge, and the primer.
- b. These components are shipped separately; therefore, the cannon crew must know how to store, unpack, inspect, prepare, and load each complete round every time the weapon is fired.
 - (1) The chief of section supervises the loading and preparation duties performed by crew.
 - (2) The chief of section must also see that the cannoneer and driver are cross-trained in the specific duties of the care, handling, unpacking, inspection, preparation, and loading of the ammunition components in order to sustain a 24-hour operation or to operate with a reduced crew.
- c. Refer to Chapter 6 for information about NATO ammunition authorized for use on the M109A6 howitzer.
- d. For maintenance of ammunition, see para 5-18.
- e. Refer to para 5-19.4 for information about the Loose Projectile Restraint System (LPRS), which is a divider rack for securing loose, unfuzed projectiles for transportation in a field artillery companion vehicle.
- f. Do not fire charges 1 and 2, Green Bag, M3A1. The fire control solution to fire these charges is not available in the M109A6 Howitzer.

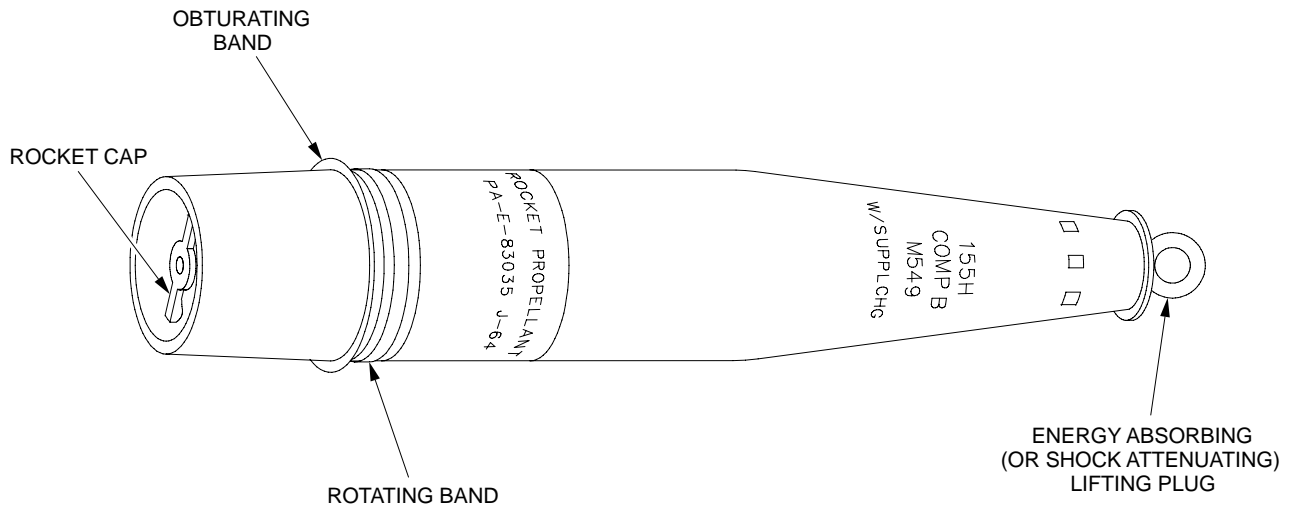
5-2 IDENTIFICATION.

Important information is stenciled on each projectile. New and old projectile colorings and markings are listed in Table 5-1. Knowing the color coding and the meaning of the markings will aid in the rapid selection of the required projectile when firing. Know your ammunition!

5-2 IDENTIFICATION - CONTINUED



MARKING OF THE 155M, HE PROJECTILE



PROJECTILE, 155MM, HERA, M549

02pc059m

5-2 IDENTIFICATION - CONTINUED

Table 5-1. Projectile Coding and Markings

MODEL NUMBERS AND COLOR CODING OF PROJECTILES						
NOTE						
* Row of yellow diamonds between nose and bourrelet of projectile.						
** ADAM-area denial artillery munition.						
*** Yellow triangles between the nose and bourrelet of projectile with letters S or L painted inside the triangles.						
**** RAAM-remote antiarmor mine system.						
***** The M825A1 looks the same as the M825 and has a red band near top of projectile.						
MODEL AND TYPE OF PROJECTILE	NEW MANUFACTURE			OLD MANUFACTURE		
	COLOR OF PROJECTILE	NO./COLOR OF BANDS	MARKING	COLOR OF PROJECTILE	NO./COLOR OF BANDS	MARKING
M110, agent (H, MD), w/burster	Gray	2/Green 1/Yellow	Green	Gray	2/Green	Green
M121A1, agent (GB or VX), w/burster	Gray	3/Green 1/Yellow	Green	Gray	GB1/Green VX2/Green	Green
M116, M116B1 Smoke, BE, (HC)	Light green	None	Black	Gray	1/Yellow	1/Yellow
M116A1, smoke, BE, (HC)	Light green	None	Black	Not applicable		
M449 series, HE, ICM	Olive drab	Diamonds*	Yellow	Olive drab	None	Yellow
M483A1, HE DP, ICM	Olive drab	Diamonds*	Yellow	Not applicable		
M107, HE, comp B and TNT filler w/ and w/o suppl charge	Olive drab	None	Yellow	Olive drab	None	Yellow
M795, HE	Olive drab	None	Yellow	Not applicable		
M485A1, M485A2, illuminating	Olive drab	1/White	White	Olive drab	None	White
M687, Agent GB2 w/burster	Gray	1/Broken Green 1/Yellow	Dark Green	Not applicable		
M864, HE, DP, ICM Extended Range	Olive drab	Diamonds*	Yellow	Not applicable		
M110A1 (M110E2), M110A2 (M110E3), smoke, (WP)	Light green	1/Yellow	Red	Gray	1/Yellow	Yellow
M825/M825A1 Smoke (WP)*****	Light green	1/Yellow	Red	Not applicable		
M549, M549A1, HERA	Olive drab	None	Yellow	Not applicable		
M692, HE (ADAM**)	Olive drab	Tri-angles***	(L) Yellow	Not applicable		
M731, HE (ADAM**)	Olive drab	Tri-angles***	(S) Yellow	Not applicable		

5-2 IDENTIFICATION - CONTINUED

Table 5-1. Projectile Coding and Markings - Continued

MODEL NUMBERS AND COLOR CODING OF PROJECTILES - Continued

NOTE						
* Row of yellow diamonds between nose and bourrelet of projectile. ** ADAM-area denial artillery munition. *** Yellow triangles between the nose and bourrelet of projectile with letters S or L painted inside the triangles. **** RAAM-remote antiarmor mine system. ***** The M825A1 looks the same as the M825 and has a red band near top of projectile.						
MODEL AND TYPE OF PROJECTILE	NEW MANUFACTURE			OLD MANUFACTURE		
	COLOR OF PROJECTILE	NO./COLOR OF BANDS	MARKING	COLOR OF PROJECTILE	NO./COLOR OF BANDS	MARKING
M718, AT (RAAM****) M718A1, AT (RAAM****)	Olive drab	Tri-angles***	(L) Yellow	Not applicable		
M741, AT (RAAM****) M741A1 AT (RAAM****)	Olive drab	Tri-angles***	(S) Yellow	Not applicable		
M712, HEAT (Copperhead)	Black	None	Yellow	Not applicable		
M823, Training (Copperhead)	Bronze	None	Black	Not applicable		
M804, Practice	Blue	1/Brown	White	Not applicable		
M804A1, Practice	Blue	1/Yellow	White	Not applicable		
M898 (SADARM)	Black	Diamonds*	Yellow	Not applicable		
NATO PROJECTILES:						
L15A1/A2, HE	Olive drab	None	Yellow	Not applicable		
DM105, SMK, HC	Light green	None	Black	Not applicable		
DM106, Illumination	Olive drab	1/White	White	Not applicable		
DM602, DM612, DM632, DM642 HE, HEAT-FRAG	Olive drab	Diamonds*	Yellow	Not applicable		
DM652, HE, HEAT-FRAG (B.B)	Olive drab	Diamonds*	Yellow	Not applicable		
DM21, HE	Olive drab	None	Yellow	Not applicable		
M107C1, HE Comp B and TNT filler w/ and w/o suppl change	Olive drab	None	Yellow	Not applicable		

5-3 AUTHORIZED PROJECTILES.

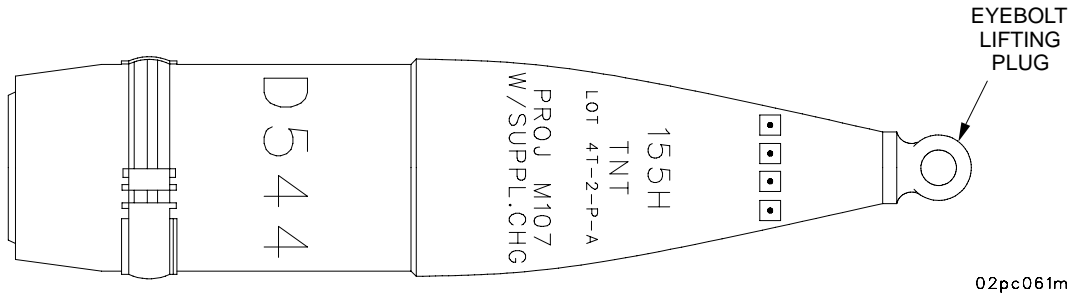
WARNING

- Unauthorized assembly and use of projectiles and propelling charges are extremely dangerous. Make sure projectiles are marked 155 H (not G).
 - Only those items listed are authorized. Firing of unauthorized propelling charge, projectile, or fuze combinations can result in critical malfunctions.
 - Charge 1 (M3 series green bag), charge 2 (green bag) will not be fired in the M284 cannon. Charge 2 (green bag charge (GB)) may be used with any M100 series projectile, M449 series projectile, M804/M804A1 projectile, and the M485 projectile, however, stickers may occasionally occur. All other projectiles, except the M795, use minimum charge 3 (GB) or charge 3 (white bag charge (WB)) and higher. M795 uses minimum charge 3 (GB) or charge 4 (WB). Firing below these charges may result in stickers.
- a. Projectiles and fuze combinations for authorized rounds are given in para 5-3.19. Authorized projectiles propelling charge combinations are given in para 5-3.19.
 - b. Projectiles of current manufacture, with deep fuze cavities and supplementary charges of TNT, are suitable for use with the long intrusion (M728 or M514 series) or the short intrusion (M732) proximity fuzes. The supplementary charge must be removed when the long intrusion proximity fuze is used; it must remain in place whenever any other authorized fuze is used.
 - c. Deep-cavity projectiles are identified by the words, W/SUPPL CHG, marked on the projectile. Weight zones are indicated on projectiles by one or more squares of the same color as the markings. Four squares indicate standard or normal weight for which no weight corrections are necessary when computing firing data. There may also be punch marks in center of squares for night identification of weight zones by touch.
 - d. The authorized projectiles and their characteristics are as follows:

5-3 AUTHORIZED PROJECTILES - CONTINUED

5-3.1 Projectile, 155MM, HE, M107.

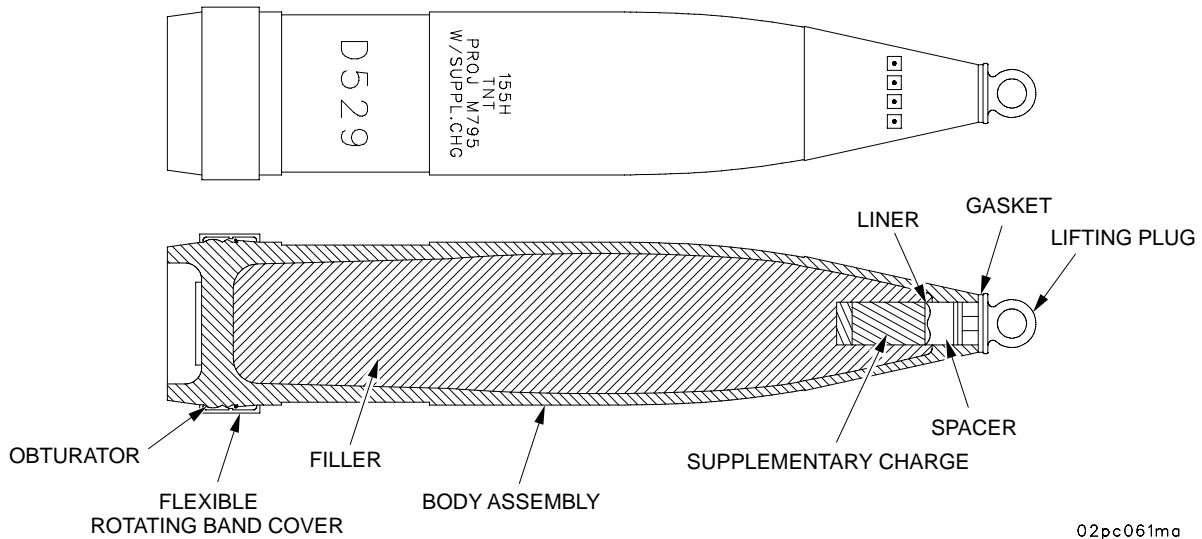
This high-explosive (HE) projectile is used primarily for blast, fragmentation, and mining. The deep- or shallow-cavity projectile consists of a steel case loaded with either TNT or composition B. A point-detonating, time, or proximity fuze may be used. The M107 projectile weighs approximately 95 lb (43.13 kg).



5-3.1.1 Projectile, 155MM, HE, M795.

WARNING

- The M795 projectile will not be fired at charge 3 (white bag (WB)). Firing at charge 3 WB may result in stickers.
- The M795 is not to be fired if the obturator is missing or broken as rotating band failure and short round may result. If the band is displaced and can be repositioned and remain in the groove, the projectile can be fired.



This high-explosive, shallow cavity projectile is used as a registration round for the M483A1 family of cargo munitions. It is also used for Harassment and Interdiction (H&I), fragmentation, mining, and blast effect. The M795 projectile consists of 23.8 pounds of TNT explosive loaded into a 78.1 lb (35.46 kg) body assembly. A welded rotating band encircles the high fragmentation steel HF-1 body near its base.

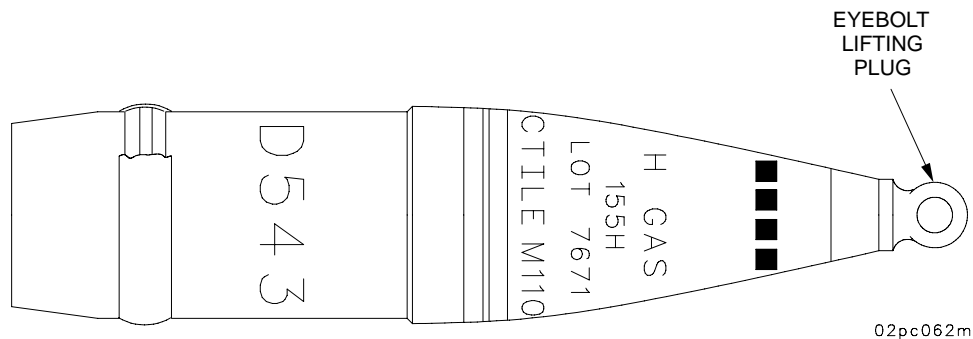
5-3 AUTHORIZED PROJECTILES - CONTINUED

5-3.2 Projectile, 155MM, Agent, H or HD, M110.

WARNING

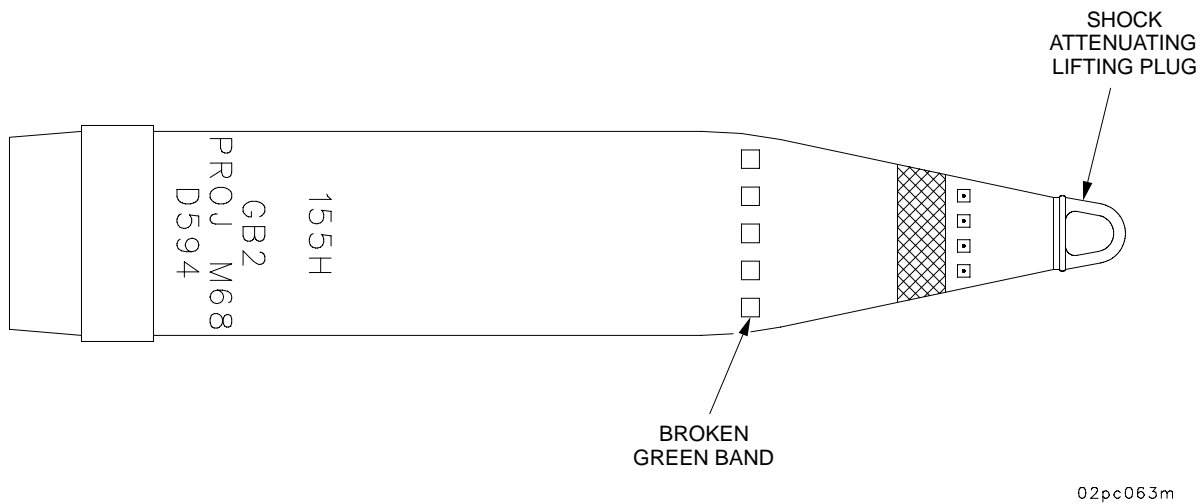
Since the burster in H or HD ammunition is loaded with tetrytol, do not store or fire at temperatures exceeding +125°F (+52°C). Temperatures above +125°F (+52°C) will cause the tetrytol to melt and/or seep, causing premature functioning.

This projectile produces a toxic effect on personnel and is also used to contaminate habitable areas. This 93 lb (42.22 kg) projectile is filled with mustard gas (H) or distilled mustard gas (HD) and has a burster charge.



5-3.2.1 Projectile, 155MM, GB2, M687. These projectiles are used to produce a toxic effect on personnel. The M687 is a binary projectile which requires assembly of the M20 canister prior to firing. The M20 canister is a separate issue item (NSN 1320-00-407-8301 (D001)).

The M687 is assembled at the chemical ammunition supply point (CASP) per TM 3-1320-242-10 and will have a broken green band visible. If a rubber sleeve covers the broken green band, assembly of the M20 canister has not been accomplished and the projectile should not be fired. The projectile has a weight of 4 squares.



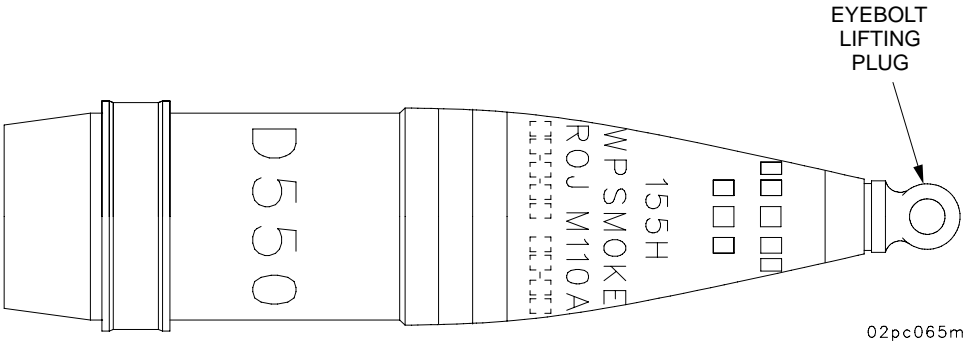
5-3 AUTHORIZED PROJECTILES - CONTINUED

5-3.3 Projectiles, 155MM, Smoke, WP, M110A1 (M110E2), and M110A2 (M110E3).

These white phosphorous (WP) projectiles have a slight burning effect, but are used primarily to produce screening smoke. The burster is loaded with composition B5. These projectiles are similar to the M110 gas projectile and have the same ballistic characteristics as the M107 HE projectile. Each projectile weighs approximately 98 lbs (44.49 kg). These projectiles may be stored and transported at temperatures up to +145° F (+63° C). Inspection of the fuze well cup is required before firing.

WARNING

The filter in white phosphorous (WP smoke) projectiles melts at +111.4° F (+44.1° C) and creates voids inside the projectile. The WP projectiles must be stored base down so that any voids are in the nose of the projectile. Do not fire WP projectiles which are known to have been stored in other than base down position. Firing of such projectiles could contribute to inbore explosions or close-in premature malfunctions.



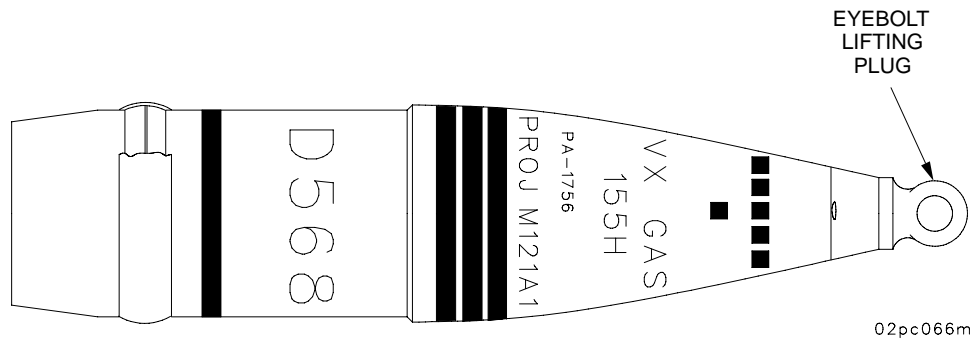
5-3 AUTHORIZED PROJECTILES - CONTINUED

5-3.4 Projectile, 155MM, Gas, VX (Persistent) or GB (Non-Persistent) M121A1.

WARNING

The M121 projectile is no longer authorized. A few M121 (basic model) projectiles with tetrytol bursters may remain in some stockpiles and should not be used, as inbore explosions may result.

These gas projectiles produce a toxic effect on personnel. A burster charge breaks the projectile apart. These projectiles weigh approximately 100 lbs (45.4 kg).

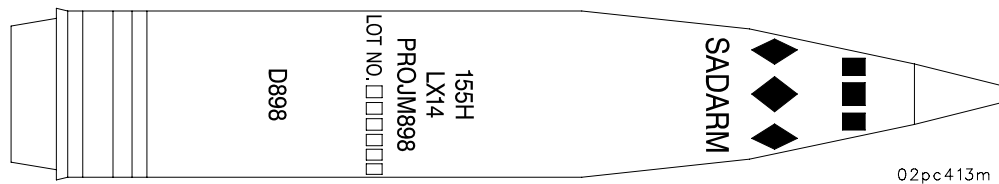


5-3.4.1 Projectile, 155MM, SADARM Basic, M898

This projectile is a 155MM fire-and-forget, top-attack, counterfire munition. Millimeter-wave radar and infrared sensors locate targets and provide countermeasure resistance. The warhead is an explosively formed penetrator designed for top-attack of self-propelled howitzers and armored combat vehicles. SADARM will defeat all known armor with the same anti-armor effectiveness as the M483A1 DPICM with 80 percent fewer projectiles. SADARM product improvement (PI) will have improved sensors, a larger footprint, cost less and almost double SADARM Basic's antiarmor effectiveness.

Characteristics

- Number of Submunitions: 2
- Submunition Footprint radius: Basic: 75m, PI: 150m
- Range: M109A5/A6/M198 w/M898 SADARM 22.5 km
 Crusader w/XM982 SADARM 50.0 km



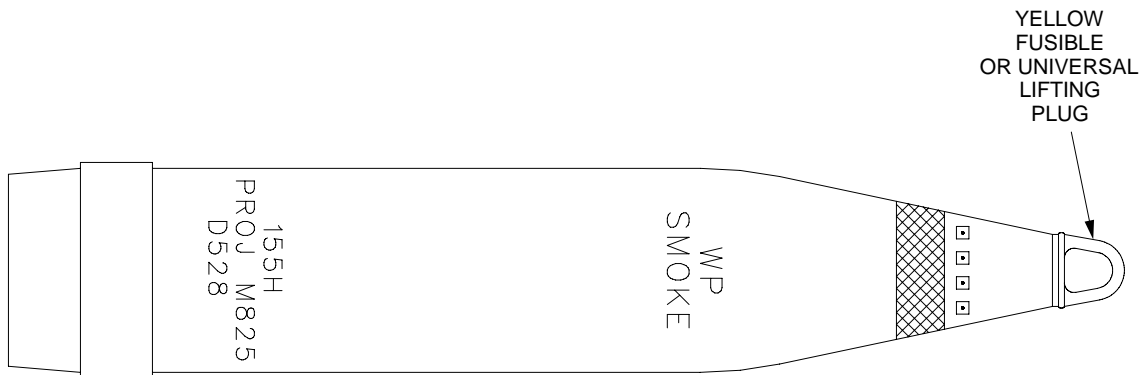
5-3 AUTHORIZED PROJECTILES - CONTINUED

5-3.5 Projectile, 155MM, Smoke, WP, M825/M825A1.

WARNING

- White phosphorus (WP) impregnated felt wedges from the M825/M825A1 are not totally consumed when the WP burns. When the unburned felt wedges are crushed or moved, residual WP will reignite, posing a burn hazard. Personnel should not contact or move the unburned felt wedges, to prevent serious personal injury.
- The M825/M825A1 is not to be fired if the obturator is missing or broken as rotating band failure and short round may result. If the band is displaced and can be repositioned and remain in the groove, the projectile can be fired.

The M825/M825A1 projectile consists of a modified M483A1 projectile carrier with a payload of white phosphorus impregnated felt wedges. In-flight fuze functioning ejects a canister. A burster inside the canister scatters burning wedges over the target area, producing obscuring smoke. This projectile uses the MTSQ M577 or the M762 ET series fuze. The M825A1 contains an improved payload and a new base which have corrected the M825 flight instability. The restrictions imposed on the M825 do not apply to the M825A1. The M825A1 has a weight of 102 lbs (46.3 kg) or 2-6 square.

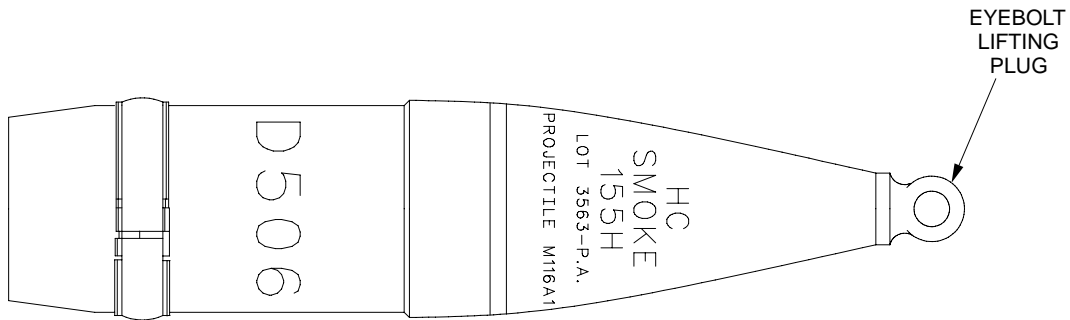


02pc067m

5-3 AUTHORIZED PROJECTILES - CONTINUED

5-3.6 Projectile, 155MM, Smoke, HC, M116A1.

The M116A1 projectile is a base-ejection type. The M116A1 projectile is similar to the M116 and M116B1 with the exception that it uses the M565 MT and M577 series MTSQ and M762 ET fuzes. It has improved M1 and M2 HC (white) smoke canisters.



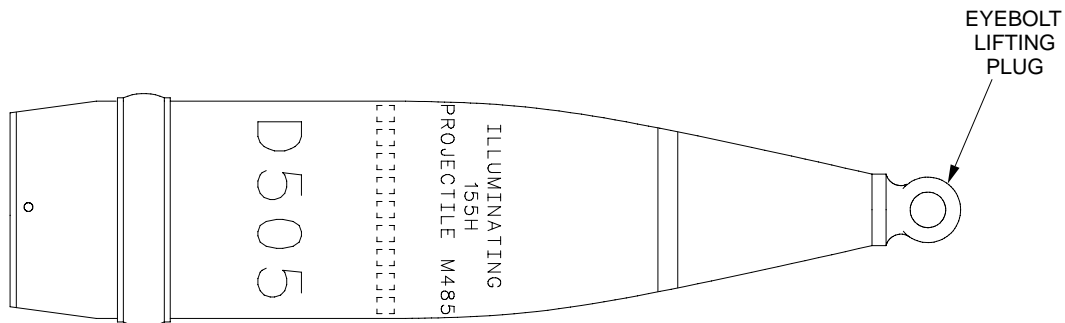
02pc068m

5-3.7 Projectile, 155MM, Illuminating, M485A1 and M485A2.

WARNING

The M485A1 and M485A2 projectiles can be fired with charge 3 (M3A1 green bag) thru 8 (M119 series charges) inclusive. These projectiles are not reliable when fired at charges 6, 7, and 8 with fuze settings of 10 seconds or less.

These projectiles are used for battlefield illumination. The projectile has a hollow steel body containing a primary expelling charge, a canister assembly, and a drogue parachute. The canister assembly contains a secondary expelling charge, a delay holder, a light producing chemical, and the main parachute.



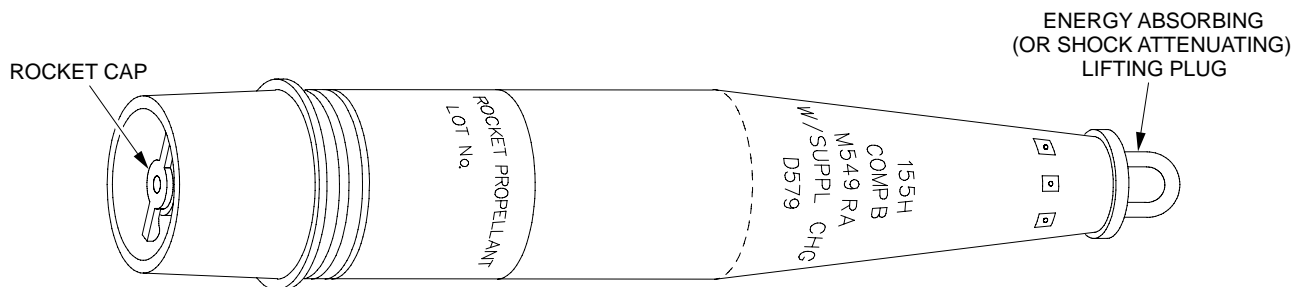
02pc069m

5-3 AUTHORIZED PROJECTILES - CONTINUED

5-3.8 Projectiles, 155MM HE, Rocket Assist M549/M549A1.

WARNING

- Standard procedures prohibit firing the M549/M549A1 in the rocket off mode, except in combat emergencies.
 - The M549/M549A1 is not to be fired if the obturator is missing or broken as rotating band failure and short round may result. If the band is displaced and can be repositioned and remain in the groove, the projectile can be fired.
 - If the M549/M549A1 is fired in the rocket off mode due to a combat emergency situation, a 7000-meter safety zone is required beyond the target because of the possibility of rocket motor ignition.
 - The M549 may not be fired with the M203 propelling charge. The M549A1 may be fired with the M203 propelling charge.
 - Rocket cap must be removed prior to firing M549/M549A1 in the rocket on mode.
 - When the M549/M549A1 is fired in the rocket on mode, a 7000-meter safety zone is required short of the target because of the possibility of rocket motor non-ignition.
- a. This is a high fragmentation projectile containing a rocket motor. The protective rocket motor cap must be removed from the projectile before firing to increase the range over that attainable ballistically. The M549 differs from the M549A1 only in the type of explosive filler. The M549 is loaded with composition B and M549A1 is loaded with TNT.
- b. The M549/M549A1 projectiles have the energy-absorbing or shock attenuating lifting plug designed to protect the projectile fuze area against accidental damage. The new plug has an oversized 3-3/4-in. (9.53-cm) flange. If this lifting plug is broken at the neck area, the threaded portion of the plug will remain in the projectile and the projectile cannot be fuzed. No attempt should be made to extract any portion of a broken plug from a projectile; the projectile is not to be used and should be returned to Ammunition Supply Point (ASP).



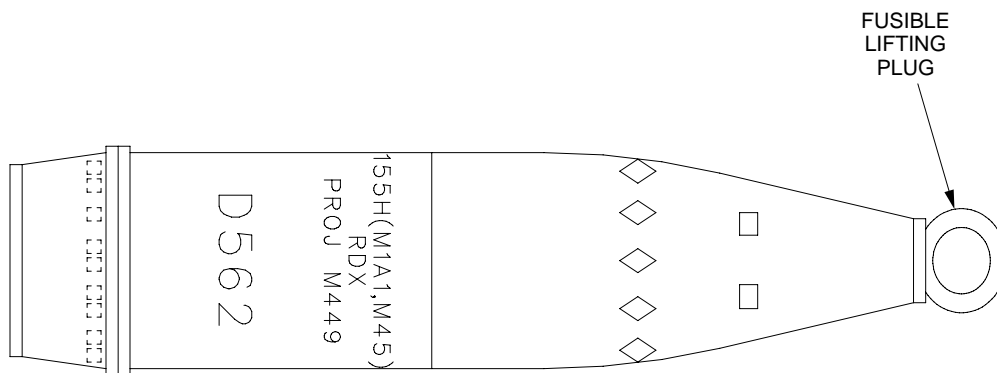
PROJECTILE, M549, OR M549A1

02pc070m

5-3 AUTHORIZED PROJECTILES - CONTINUED

5-3.9 Projectile, 155MM, ICM, M449 Series.

These projectiles are improved conventional munitions (ICM) used primarily against personnel. The cargo consists of 60 M43 grenades which are ejected in flight. The fuze, having been set to function at a predetermined time, initiates the expulsion charge ejecting the entire cargo from the rear of the projectile. The projectile spins centrifugally and disperses the grenades from the projectile line-of-flight. Upon impact with the target area, an expulsion charge is initiated which propels a high explosive filled sphere upward 4 to 6 feet (1.22 to 1.83 m) above the impact area. The elevated sphere is detonated sending high-velocity fragments in a spherical pattern. Each projectile weighs approximately 95 lb (43.13 kg).



M449 SERIES PROJECTILE

02pc071m

5-3 AUTHORIZED PROJECTILES - CONTINUED

5-3.10 Projectile, 155MM, ICM, M483A1.

WARNING

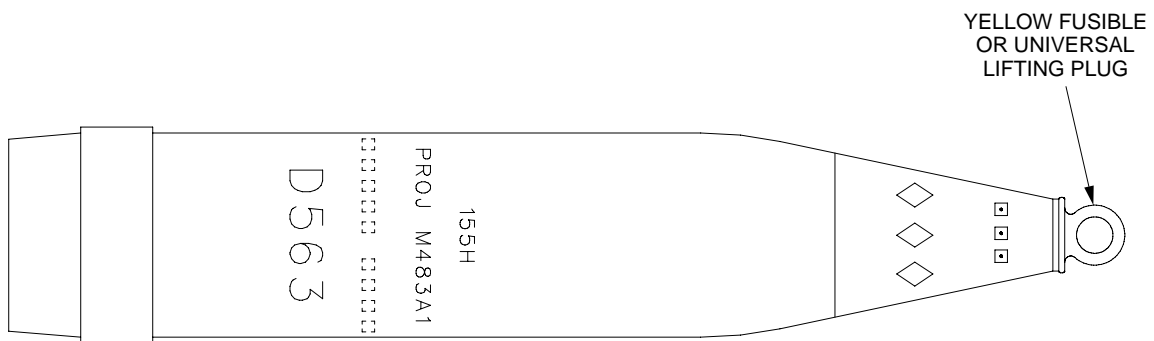
The M483A1 projectile will not be fired below charge 3 in the M284 cannon. Firing below charge 3 may result in stickers.

NOTE

The M483A1 projectile or other projectiles using the M483A1 carrier may be fired with or without an obturating band. If the obturating band is broken, remove and discard it. If it is dislodged, remove or reposition it.

This is a dual-purpose ICM projectile. It is effective against personnel and light material targets. These base-ejection type projectiles consist of a steel body with aluminum base and ogive containing an expelling charge and 88 shaped-charge grenades. This projectile weighs approximately 103 lb (46.76 kg) and is fitted with a yellow, fusible lifting plug. This projectile uses the M577 series MTSQ or the M726 ET fuze. It can be used in the fire-for-effect or self-registration modes.

- a. In the fire-for-effect mode, the expelling charge ejects the 88 grenades from the projectile during flight and they actuate on ground or target impact. A shaped charged jet is expelled downward while the body bursts into a large number of high velocity fragments. The jet is capable of penetrating approximately 2.75 inches (6.99 cm) of homogenous armor plate. Antipersonnel effects are obtained by fragmentation of the body.
- b. In the self-registration mode, the expelling charge is removed, a projectile spotting charge is attached to the time fuse and installed into the projectile. Functioning of the fuse detonates the entire projectile over the target, permitting observation of the projectile as it functions in relation to the target.



M483A1 PROJECTILE

02pc074m

The spotting charge will cause the projectile to detonate all 88 grenades inside the projectile, causing high fragmentation in the same manner as a standard high-explosive projectile. See para 5-9.4 for additional information on special preparation of the M483A1 projectile for use in the self-registration mode.

5-3 AUTHORIZED PROJECTILES - CONTINUED

5-3.11 Projectile, 155MM, DPICM, M864.

WARNING

- A 5000-meter safety zone is required short of the target because of the possibility of the base burner assembly non-ignition.
- The M864 is not to be fired if the obturator is missing or broken because it may result in a short round. If the band is displaced and can be repositioned and remain in the groove, the projectile can be fired.
- For M864 projectiles marked with three solid white circles 120 degrees apart on the ogive (above the weight zone markings), avoid hazards resulting from gaps at the base to body joint and from separation of the base from the body in the M864, follow these safety procedures:

Projectiles are to remain palletized as long as possible prior to use.

Do not transport projectiles as loose cargo.

Do not fire projectiles received without grommets or with evidence of dents, flattenings, or gouges to the lifting plug, grommet, rotating band, and boatail area.

Do not fire projectiles which have been dropped loose from supply vehicles or SP howitzers.

Any base separations should be handled by EOD personnel.

- A gap at the base to body joint of the projectile may lead to hot propellant gases entering the round during firing and causing an inbore premature. Gaps are not detectable with a visual examination due to the presence of the obturator over the base to body joint. In addition, a separation of the base from the body of the projectile will expose M42 and M46 grenades. Arming could occur and result in injury and/or death.

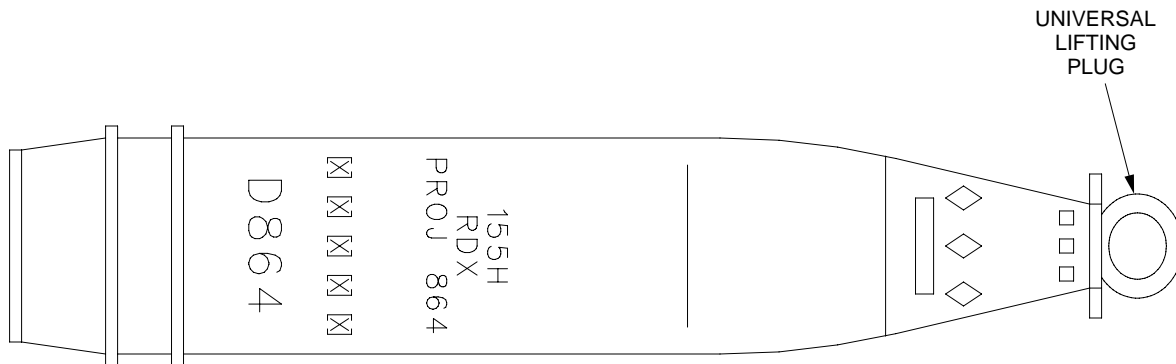
5-3 AUTHORIZED PROJECTILES - CONTINUED

5-3.11 Projectile, 155MM, DPICM, M864 - Continued

NOTE

- The M864 is for extended range only. Use the M483A1 projectile where applicable. The M864 shall be fired to achieve ranges beyond the capabilities of the M483A1 projectile or when the M483A1 is not available.
- For stowage of M864 projectiles see Appendix E.

This is an extended range dual purpose, ICM projectile used in the M284 or M185 cannon. The M864 is modeled after the M483A1 projectile with the addition of a base burner unit at the projectile's base. The propellant in the base burner ignites upon firing of the projectile, producing gases, which reduces the drag on the projectile and extends its range. This is a base ejection type projectile with a steel body. The expulsion charge contains 105 grams of M10 propellant. There are 72 shaped charge grenades, 48 are M42 grenades and 24 are M46 grenades. They are effective against personnel and light materiel targets. The projectile weighs approximately 102 lb (46.3 kg) or 2-6 square and uses the M577 series MTSQ fuze or the M762 ET fuze. It can be used in the fire-for-effect mode or the registration mode.

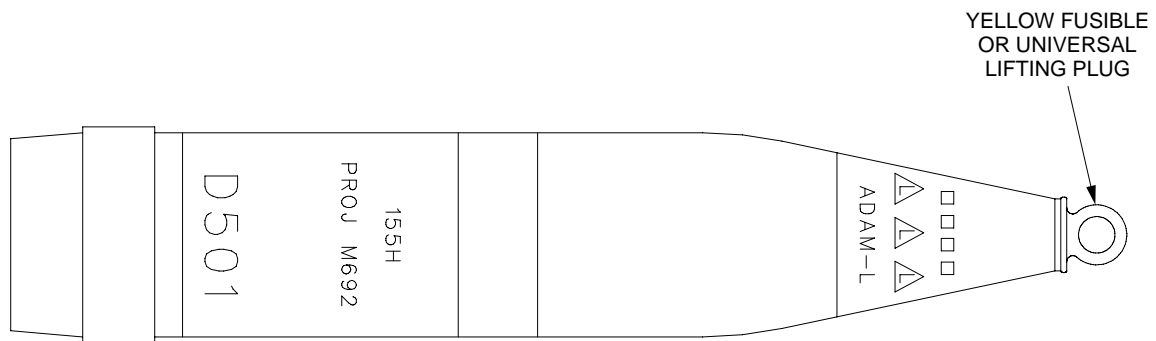


02pc075m

5-3 AUTHORIZED PROJECTILES - CONTINUED

5-3.12 Projectile, 155MM, HE, M692.

This high-explosive (HE) projectile is known as the area denial artillery munition (ADAM). It is painted olive drab with yellow markings. The most significant marking on the ogive is the letter "L" appearing in the triangles and on later production, "ADAM-L" on the ogive that indicates a long self-destruct time for the antipersonnel mine submunitions. The M577 series MTSQ or the M762 ET fuze, having been set to function at a predetermined time in flight, initiates the expulsion charge which ejects the 36 mines from the rear of the projectile line of flight. The mines are completely armed a short time after ground impact. A self-destruct mechanism is activated which initiates the mine after a predetermined time if the munition is not functioned by trip wire or disturbance.

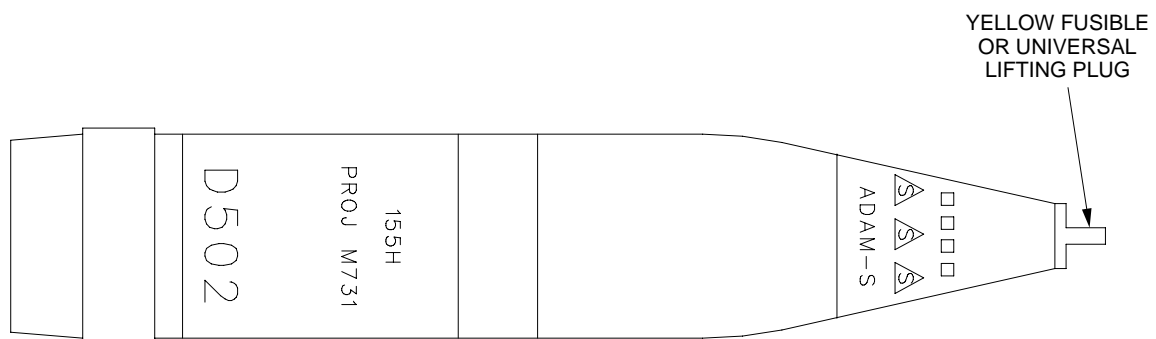


M692 PROJECTILE

02pc077m

5-3.13 Projectile, 155MM, HE, M731.

This projectile is the same as the M692 projectile in appearance and functioning except for the letter "S" within the yellow triangles and "ADAM-S" on the ogive of later production to indicate a shorter self-destruct time for the antipersonnel mine submunitions. The base-ejection type projectile uses the M577 series MTSQ or the M762 ET fuze.



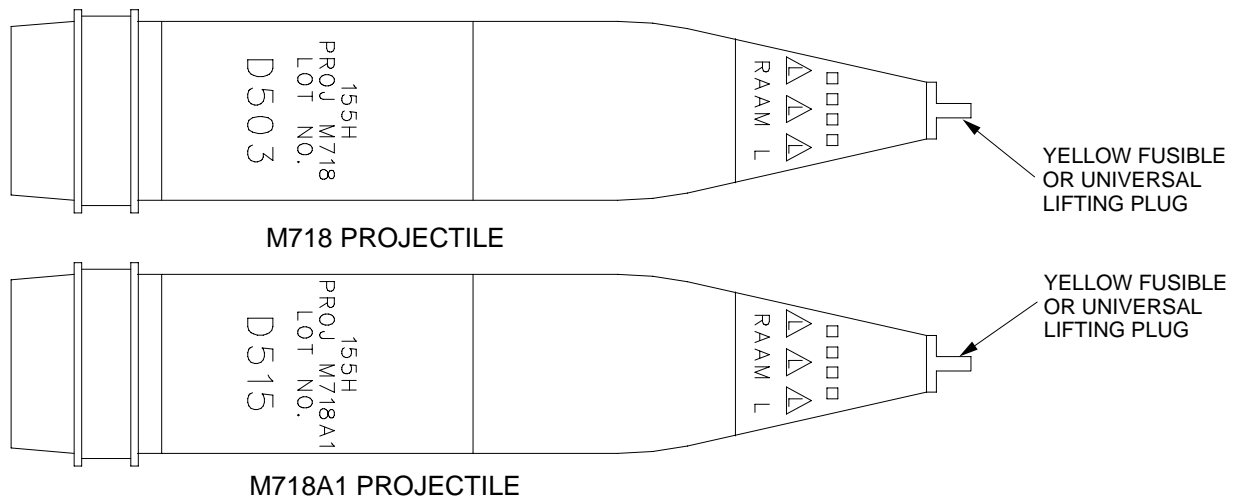
M731 PROJECTILE

02pc078m

5-3 AUTHORIZED PROJECTILES - CONTINUED

5-3.14 Projectile, 155MM, AT, Remote Anti-Armor Mine System, M718/M718A1.

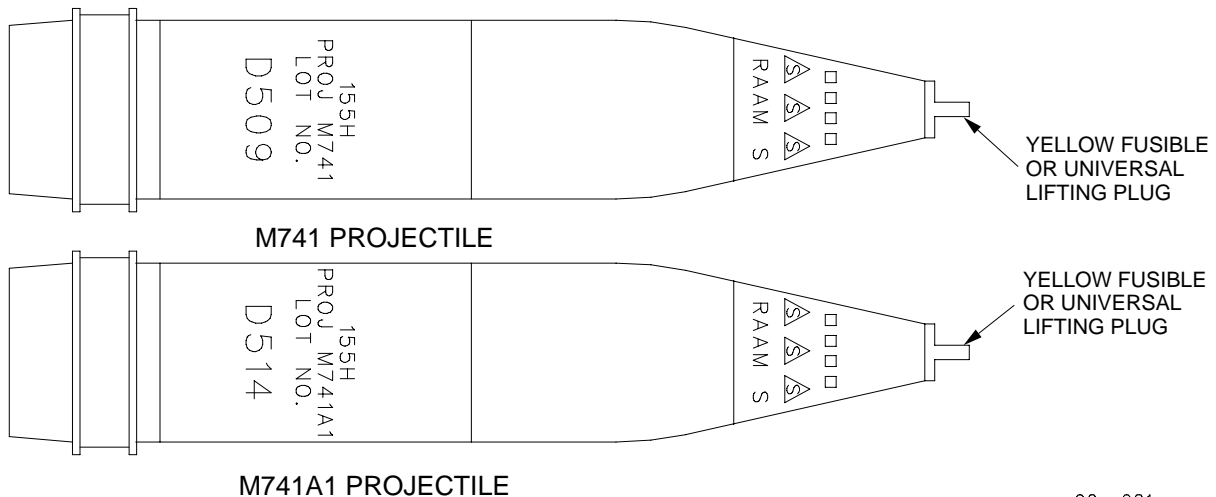
This projectile is used to deliver high-explosive antitank mines in front of enemy armored forces to deny/delay access to a particular area for a specific time period. This projectile is from the family of scatterable mines and is known as the remote anti-armor mine system (RAAMS). It is painted olive drab with yellow markings. The most significant markings are the row of yellow triangles between the nose and the bourrelet which contain the letter "L" and "RAAM-L" on the ogive that indicate the long self-destruct time for the submunition. This is a base-ejection type projectile and uses the M577 series MTSQ or the M762E fuze. The M718A1 projectile contains internal changes to the submunition and has a new DODIC (D515); however, the projectile is handled and fired the same as the basic model.



02pc080m

5-3.15 Projectile, 155MM, AT, Remote Anti-Armor Mine System, M741.

This projectile, also known as the RAAMS round, is exactly like the M718 above except the letter "S" painted in the yellow triangles and "RAAM-S" on the ogive are different to indicate a short self-destruct time. This is a base-ejection type projectile and uses the M577 series MTSQ or the M762 ET fuze. The M741A1 projectile contains internal changes to the submunition and has a new DODIC (D514); however, the projectile is handled and fired the same as the basic model.

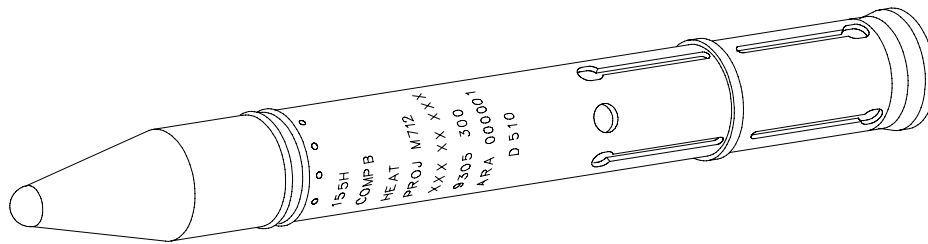


02pc081m

5-3 AUTHORIZED PROJECTILE - CONTINUED

5-3.16 Projectile, 155MM, HEAT, M712.

This projectile is a cannon-launched guided projectile (CLGP). It is a high-explosive, antitank (HEAT) projectile loaded with 14.75 lb (6.69 kg) of composition B. It is guided to its target by a laser beam directed on the target from a laser designator. The projectile has five time and code switches set by the crew prior to firing. The warhead section of the projectile contains its own base-detonating fuze (M740). The projectile is 54 in. (137.16 cm) long and weighs 138 lb (62.65 kg). Details on use of the M712 projectile are covered in section IV of this chapter.



M712 PROJECTILE

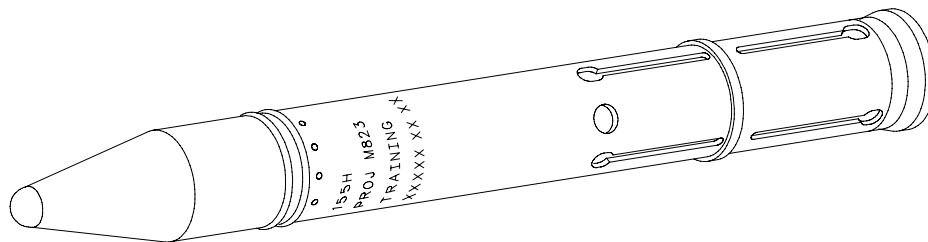
02pc082m

5-3.17 Projectile, 155MM, Training, M823.

WARNING

The M823 projectile must not be fired. Such firing can be a hazard to personnel forward of the weapon.

This projectile is designed to train 155MM howitzer weapon crews to handle and set the M712 projectile. It simulates the M712 in weight, center of gravity, and external appearance. It contains code and time switches which are set to simulate prefiring activity by the crew. It is shipped and stored in the same type container as the M712 and is color coded bronze for easy identification. Details on use of the M823 projectile are covered in section IV of this chapter.



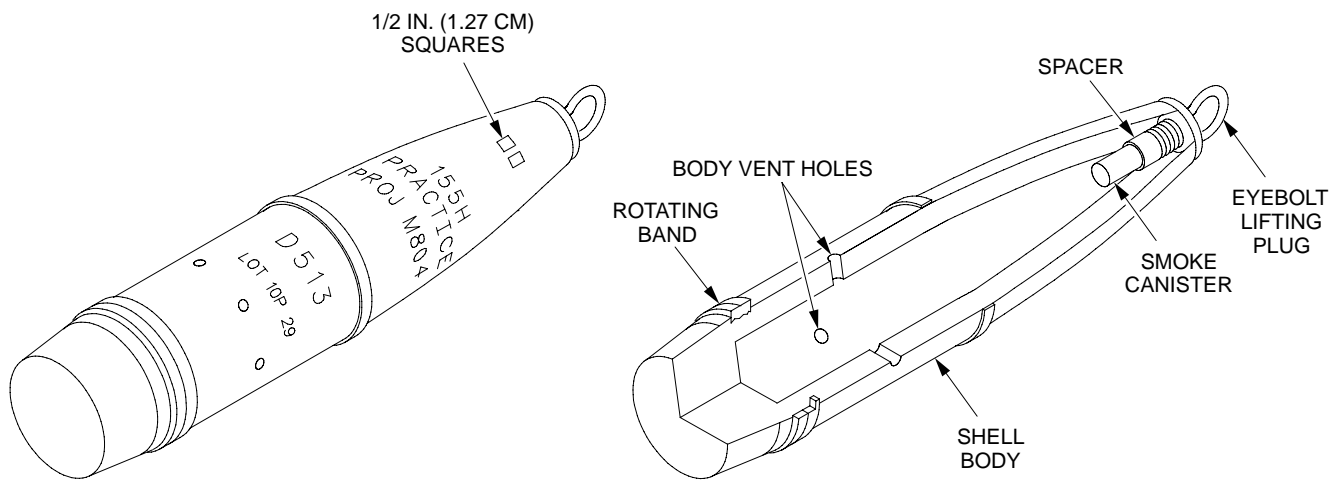
M823 PROJECTILE

02pc083m

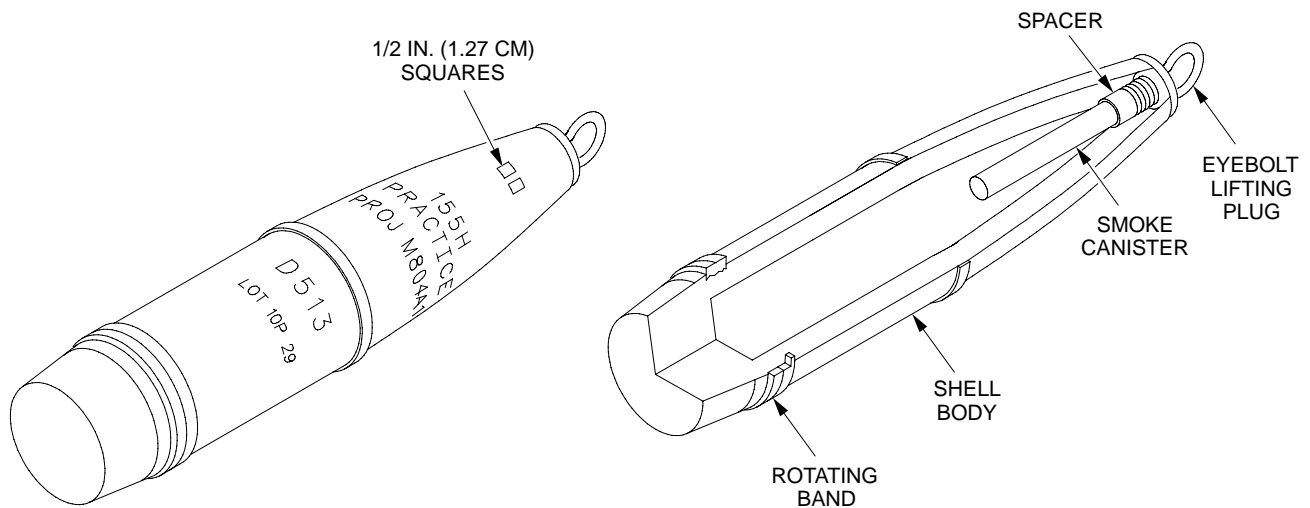
5-3 AUTHORIZED PROJECTILES - CONTINUED

5-3.18 Projectile, 155MM, Practice M804/M804A1.

The M804/M804A1 projectile is used in place of the M107 HE projectile in training exercises. The M804 contains a small smoke canister in the fuze well which provides flash and smoke for visual determination of functioning. The M804 is similar in weight and external configuration to the M107 HE projectile, and can be used in training without the blast and fragmentation which accompany functioning of an M107 HE projectile. The body of the M804 contains four holes, 90 degrees apart, which serve to disperse smoke on functioning. The M804A1 does not contain any holes and has a large smoke canister. Both projectile models, M804 and M804A1, are handled and fired the same way.



M804 PROJECTILE



M804A1 PROJECTILE

02pc091m

5-3 AUTHORIZED PROJECTILES - CONTINUED

5-3.19 Projectile/Fuze Combinations for Howitzer M109A6 with M284 Cannon.

WARNING

- The firing of High Explosive Projectiles could be hazardous. A detonation of the projectile in the safe separation distance is improbable, but possible. To reduce the effects of this hazard, all personnel outside the howitzer should wear ballistic body armour during fire missions. This warning applies to both direct and indirect fire modes for all fragmentation high explosive type projectiles fired with the fuzes stated below.
- Fuze, Point detonating, M739 series (N340)
- Fuze, Point detonating, MK399 MOD1 (N659)
- Fuze, Mechanical Time and Superquick, M582 series (N286)
- Fuze, Proximity, M732 (N464)
- Fuze, Proximity, M732A2 (N291)
- Fuze, Electronic Time and Superquick, M767 series (N290)
- Fuze, Multi Option Fuze Artillery, M782 (NA09)

NOTE

- (1) M728 and M732 fired with "VX" projectile in combat emergency only.
- (2) The letter P shows compatibility for proximity fuzes that require removal of the supplementary charge to make room for the long intrusion fuze.
- (3) The M483A1/M864 projectile may be used for self-registration (as a spotting round) by replacing the expulsion charge assembly with a projectile spotting charge added to the M577 series or M762 series fuze.
- (4) The M864 is for extended range only. The M864 will be fired to achieve ranges beyond the capabilities of the M483A1 projectile or when the M483A1 is not available.
- (5) The M549/M549A1 projectile may break up upon impact with urban structures and bunkers rendering it an ineffective penetrator of these targets.
- (6) Refer to description of MK399 MOD 1 fuze in paragraph 5-4.1.3 for performance against MOUT targets.

5-3 AUTHORIZED PROJECTILES - CONTINUED

5-3.19 Projectile/Fuze Combinations for Howitzer M109A6 with M284 Cannon - Continued

Table 5-2. Projectile/Fuze Combinations

PROJECTILES	FUZE												
	Mk399MOD1 (6)	PD		MT	MTSQ			PROX			ET		MOFA
		M557/M572	M739 Series	M565	M564	M577 Series	M582 Series	M728 (2)	M732 Series	M514 series (2)	M762 Series	M767 Series	M782
Agent, H, HD, M110		X	X		X		X					X	X
Agent, GB, VX, M121A1 (1)		X	X					P(1)	X(1)				X
HE, RA, M549/M549A1 (5)	X	X	X				X		X(5)			X	X
ME, M107 (Normal Cavity)	X	X	X		X		X		X			X	X
HE, M107 (Deep Cavity)	X	X	X		X		X	P	X	P		X	X
HE, M795		X	X				X		X			X	X
HE, M449 Series				X		X					X		
HE, M483A1						X(3)					X(3)		
Illuminating, M485 Series				X		X					X		
SMOKE, HC, BE, M116A1				X		X					X		
SMOKE, WP, M110 Series		X	X		X		X					X	X
SMOKE, WP, M825/M825A1						X					X		
HE, M692/M731 (ADAM)						X					X		
AT, M718/M718A1 and M741/M741A1 (RAAM)						X					X		
PRACTICE, M804		X	X		X		X		X			X	X
PRACTICE, M804A1		X	X		X		X					X	X
PROJECTILE, M898 (SADARM)						X							
HE, DP, ICM, Extended Range M864 (4)						X(3)					X(3)		
Agent, GB2, w/burster M687	X	X	X										X

5-3 AUTHORIZED PROJECTILES - CONTINUED

5-3.20 Projectile/Propelling Charge Combinations for Howitzer M109A6 with M284 Cannon

NOTE

*Primer M82 is the only authorized primer to be used in the M284 cannon.

***The M119A2 charge 7 (Red Bag) is equivalent to the M119A1 charge 8. Refer to firing tables for small differences in velocity which affect range.

****Do not fire the M549/M549A1/M825/M825A1/M864/M795 projectiles if the obturating band is missing or broken. If the band is displaced and can be repositioned and remain in the groove, the projectile can be fired. The M549A1 projectile may be fired with the M203 charge and M232/M232A1 charge 5, but the M549 must never be fired with the M203 charge or M232/M232A1 charge 5.

*****M825 projectiles (manufactured Jan 85 - May 86) fired at temperatures above 110°F (43°C) (WP liquified) have resulted in flight instability and short rounds. This instability does not occur below 110°F (43°C) (WP solid). This restriction does not apply to M825A1 projectile.

*****M203 charge 8 is not equivalent to M119A1 charge 8.

M232/M232A1 charge 5 is equivalent to M203 series charge 8.

- (1) M825 projectiles are restricted to firing below 950 mils elevation with the M203 series charge. Firing of this combination at elevations exceeding 950 mils may result in short rounds. This restriction does not apply to M825A1 projectile.
- (2) M203 series charge is not equivalent to M119A1 charge 8.
- (3) Do not fire charges 1 and 2, green bag, M3A1. The fire control solution to fire these charges is not available in the M109A6 howitzer.
- (4) Do not load or fire M231 charges with the M232/M232A1 charges. Critical malfunction could result. M232/M232A1 charge 5 is equivalent to M203 charge 8.

Table 5-3. Projectile/Propelling Charge Combinations

AUTHORIZED PROJECTILE/PROPELLING CHARGE COMBINATIONS FOR *M284 CANNON																			
PROJECTILES	PROPELLING CHARGE															FIRING LIMITATIONS			
	(GREEN BAG) M3A1 CHARGES (3)					(WHITE BAG) M4A2 CHARGES					M119A1 CHG 8 (2)	M119A2 (RED BAG) CHG 7 ***	M203 CHG8 ***** and M203A1 (2)	M231 CHG (4)			M232/M232A1 CHARGES (4)		
	1	2	3	4	5	3	4	5	6	7				1	2		3	4	5
HE, M107	NO	NO	X	X	X	X	X	X	X	X	X	X	NO	X	X	X	X	NO	
HE, M795	X	X	X	X	X	NO	X	X	X	X	X	X	X	X	X	X	X	X	
HE, M449, M449A1, ICM	NO	NO	X	X	X	X	X	X	X	X	X	X	NO	X	X	X	X	NO	
HE, M483A1, ICM	NO	NO	X	X	X	X	X	X	X	X	X	X	NO	X	X	X	X	NO	
HE, M692, M731	NO	NO	X	X	X	X	X	X	X	X	X	X	NO	X	X	X	X	NO	
AT, M718, M718A1 AT, M741, M741A1	NO	NO	X	X	X	X	X	X	X	X	X	X	NO	X	X	X	X	NO	
ILLUMINATING, M485A1, M485A2	NO	NO	X	X	X	X	X	X	X	X	X	X	NO	X	X	X	X	NO	M485A1/A2 projectiles are not reliable when fired at charges 6, 7 and 8 with fuze settings of 10 seconds or less.
AGENT H, HD, M110	NO	NO	X	X	X	X	X	X	X	X	X	X	NO	X	X	X	X	NO	M110 agent burster loaded with tetrytol cannot be stored or fired at temperatures exceeding +125°F (+52°C).
SMOKE, WP, M110 SERIES	NO	NO	X	X	X	X	X	X	X	X	X	X	NO	X	X	X	X	NO	
HE, DP, ICM EXTENDED RANGE M864	NO	NO	NO	NO	NO	NO	NO	NO	NO	X	X	X	X	NO	NO	X	X	X	
AGENT, GB2, W/BURSTER, M687	NO	NO	X	X	X	X	X	X	X	X	X	X	X	NO	NO	X	X	X	
SMOKE, BE HC, M116A1	NO	NO	X	X	X	X	X	X	X	X	X	X	NO	X	X	X	X	NO	
AGENT, (GB OR VX) M121A1	NO	NO	X	X	X	X	X	X	X	X	X	X	NO	X	X	X	X	NO	
SMOKE, WP, M825 *****	NO	NO	X	X	X	X	X	X	X	X	X	X	NO	X	X	X	X	X	(1)
SMOKE, WP, M825A1 *****	NO	NO	X	X	X	X	X	X	X	X	X	X	YES	X	X	X	X	X	
HERA, M549, M549A1 ****	NO	NO	NO	NO	NO	NO	NO	NO	NO	X	X	X	X	NO	NO	X	X	X	Rocket off mode only during combat emergencies.
HEAT, M712 (Copperhead)	NO	NO	NO	X	X	NO	X	X	X	X	X	X	NO	NO	X	X	X	NO	
PRACTICE, M804/M804A1	NO	NO	X	X	X	X	X	X	X	X	X	X	NO	X	X	X	X	NO	
PROJECTILE, M898 (SA-DARM)	NO	NO	X	X	NO	X	X	X	X	X	X	X	X	X	X	X	X	X	M577A1 Fuze must be marked "M898 SADARM Compatible"

5-4 AUTHORIZED FUZES.

WARNING

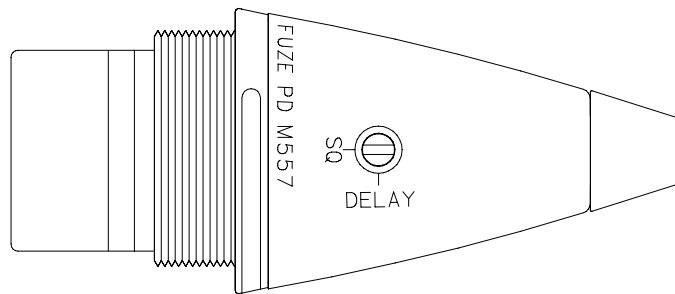
The firing of a field artillery round without a fuze or with an unauthorized fuze is strictly prohibited as an inbore explosion may result.

NOTE

For additional information and more detailed descriptions on functioning of the authorized fuzes, refer to TM 43-0001-28 and TM 43-0001-28-2.

5-4.1 Fuze, Point-Detonating: M557, M572, M739 Series or Mk399 MOD1.

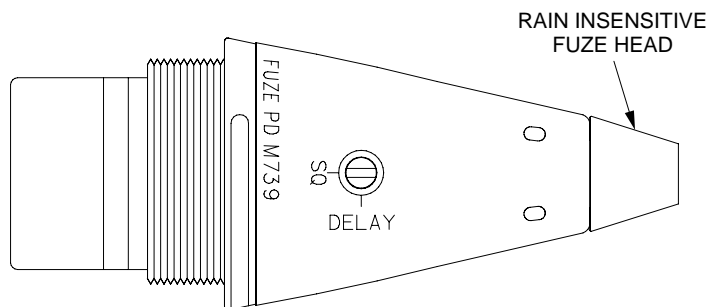
5-4.1.1 Fuze, Point-Detonating, M557 or M572. The M557/M572 fuzes have a selective superquick/delay setscrew. It is packed set for superquick and has a booster attached. Premature functioning can occur when fuzes are fired in heavy precipitation (rain, snow, sleet, hail). This fuze can be set for superquick or delay action by turning the setscrew. The M572 fuze is identical to the M557 except for epoxy under the steel ogive. The M572 is handled, set and fired the same as the M557.



M557 FUZE

02pc102m

5-4.1.2 Fuze, Point-Detonating, M739 and M739A1. These fuzes are the latest improved version of the selective impact fuze. These fuzes have a solid aluminum ogival body with a threaded base. These fuzes contain a rain-insensitive fuze head that allows firing in heavy rain without premature fuze functioning of the round of ammunition. These fuzes can be set for superquick or delay action by turning the setscrew. The M739A1 fuze contains a new impact delay module which provides more effective functioning in the delay mode. In addition to the stamped markings, the M739A1 fuze features anodized green for positive identification of fuze model.

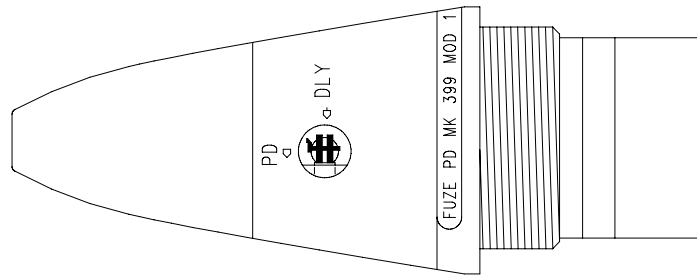


M739 SERIES FUZE

02pc103m

5-4 AUTHORIZED FUZES - CONTINUED

5-4.1.3 Fuze, PD, M399 Mod 1. The Mk 399 MOD 1 MOUT fuze is primarily for use against urban structures (buildings) and other hard targets such as bunkers. Its primary design is for penetration of wood, brick or concrete and function inside the target. It therefore is delivered to the field set in the DLY (delay) mode to accomplish this task. The fuze has a setscrew that can be turned by a flathead screwdriver or M18 fuze wrench to select PD or DLY function. When set PD, the fuze functions superquick which is more effective in destroying walls of urban targets and bunkers, can provide a conventional PD fuze role against personnel, and is useful for spotting purposes. The fuze is assembled with a booster pellet and set on the DLY mark for shipping. The fuze is rain sensitive.



FUZE, PD, M399 MOD 1

02pc412m

MK 399 Mod 1 Summary Matrix of Expected Performance Against MOUT targets.

Obliquity angle	Wood Frame				Single Brick				Triple Brick				Reinforced Concrete			
	0°	30°	45°	60°	0°	30°	45°	60°	0°	30°	45°	60°	0°	30°	45°	60°
155 mm M107/M795 low zone	M ¹	M ¹	M ¹	M ¹	G	G	G	G	G	G	M ³	M ³	G	G	M ³	M ³
155 mm M107/M795 mid zone	G	G	G	G	G	G	G	G	G	G	M ³	M ³	G	G	M ³	M ³
155 mm M107/M795 high zone	G	G	G	G	G	G	G	G	M ²	M ²	G	G	M ²	M ²	G	G
155 mm M549/A1	G	G	G	G	P ¹	P ¹	P ¹	P ¹	P ¹	P ¹	P ¹	P ¹	P ¹	P ¹	P ¹	P ¹

G = good
M= marginal
P = poor, not recommended

NOTES:

Always be prepared to use multiple rounds to defeat targets.

Obliquity angle of 0° = perpendicular to target wall.

M¹ - for lighter wood frame construction at low zone, insufficient impact force may result in duds.

M² - perpendicular and near perpendicular impacts against harder targets at high zone can result in functions on the wall before penetration.

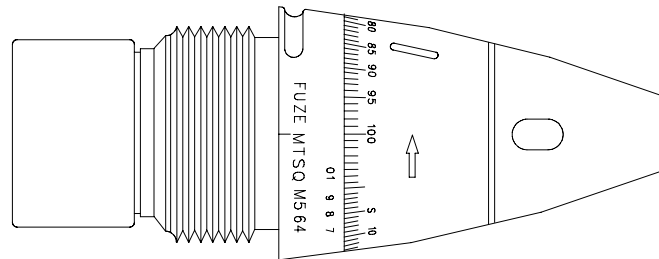
M³ - at low and mild zones, impact angles at and beyond 45 degrees can result in duds.

P¹ - RAP rounds not recommended against MOUT targets, projectile may break-up upon impact.

5-4 AUTHORIZED FUZES - CONTINUED

5-4.2 Fuze, Mechanical Time Superquick, M564.

This fuze is an improvement over the older MTSQ fuzes, in that it provides a longer timing mechanism (100 seconds) for functioning at longer ranges. The date of manufacture is stamped on the fuze body before the lot number. Fuzes manufactured through 1969 must be set on 90 seconds if superquick (impact) action is desired. Setting of these fuzes between S and 2 seconds may result in functioning after approximately 2 seconds. Fuzes manufactured from 1970 on may be set as shipped on S for superquick (impact) functioning. However, current doctrine dictates that all M564 fuzes, regardless of manufacture date, must be set on 90 seconds if superquick (impact) action is desired. Premature functioning of the fuze may occur downrange if the fuze is fired in heavy precipitation (rain, snow, sleet, hail).



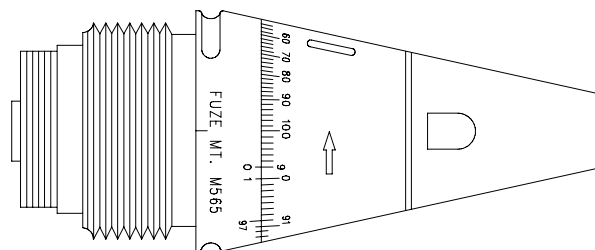
02pc106m

SUPERQUICK M564 FUZE

5-4 AUTHORIZED FUZES - CONTINUED

5-4.3 Fuze, Mechanical Time, M565.

- a. The M565 mechanical time (MT) type is similar to M564 MTSQ fuze except that the M565 fuze does not contain the point-detonating assembly or the booster assembly.
- b. The M565 fuze can be set from 2 to 100 seconds. Like the M564 fuze, the M565 fuze has a vernier scale to assure a setting accuracy of 0.1 seconds. The fuze is used with base-ejection projectiles only.



02pc108m

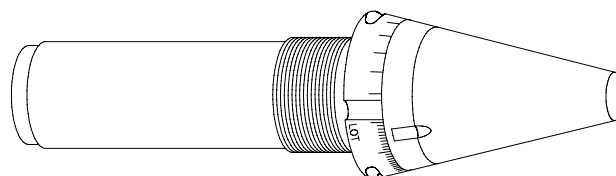
M565 FUZE

5-4.4 Fuze, Proximity, Variable Time, M728.

WARNING

The M728 and M514 series fuzes are not to be used with the M203/M203A1 propelling charge to prevent serious injury or death to personnel.

These long intrusion proximity variable time (VT) fuzes are used with deep-cavity projectiles and are essentially a self-powered radio and transmitting unit. The fuzes can be set from 5 to 100 seconds. The nose of the M728 fuze has been painted (black) to reduce static electricity.



02pc109m

M728 FUZE

5-4 AUTHORIZED FUZES - CONTINUED

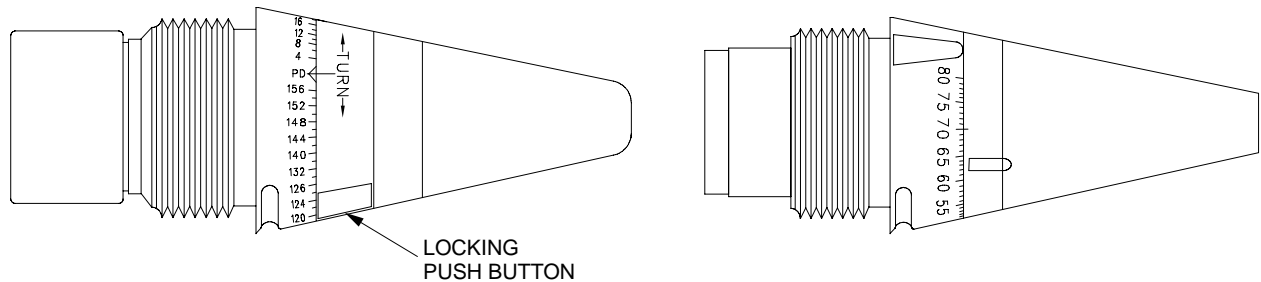
5-4.5 Fuze, Proximity, Variable Time, M732 Series.

NOTE

The PD setting of the M732 VT fuze series, when fired into soft impact areas, will produce less lethality than the superquick setting of the M739 PD fuze series.

The M732 Series Fuzes are short intrusion fuzes and are used without removing supplemental charges from projectiles. These fuzes contain a self-powered radio and transmitting unit. The M732 fuze can be set from 5 to 150 seconds. The M732A2 Fuze can be set from 4 to 156 seconds. At time settings, these fuzes arm at 3 to 5 seconds prior to set time for proximity function. These fuzes can also function PD as an option or proximity mode back-up and are always armed for PD at 400 calibers.

The M732A2 was especially designed for compatibility with rocket-assisted rounds. The M732A2 is set by simultaneously depressing two push-buttons in the ogive and rotating the setting ring to the desired position. When the push-buttons are released, the setting ring is locked into position.



M732E2

M732

02pc111m

5-4.6 Fuzes, Mechanical Time Superquick, M577 Series and M582 Series.

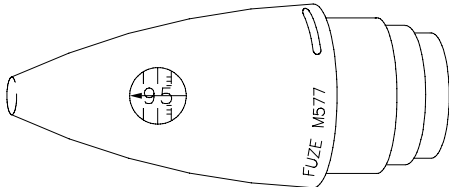
These fuzes have a 200 second mechanical time mechanism with three movable digital dials similar to a speedometer. Each fuze has a window through which the dials are viewed. The dials permit setting of the fuze to the nearest tenth of a second. The M577A1 and M582A1 MTSQ fuzes contain a different mechanism for point detonating action. Externally the major difference is the configuration of the wrench slots. The M577A1 and M582A1 fuzes are handled, set, and fired, the same as the basic models. Early manufactured basic and A1 fuzes have black paint finished ogive, while the later produced A1 fuze has a gold (chromite finish) color ogive.

- a. The dial closest to the fuze nose indicates the time in hundreds of seconds. (The triangle (◄) position is a nontime setting.) The second dial indicates time in ten second intervals. The third dial indicates the nearest second and also tenths of seconds by using the scale on the right edge of the dial.
- b. The M582 fuze is fitted with a booster and is used with burster type projectiles. The M577 fuze does not contain a booster, and is used with base-ejection projectiles.
- c. The M577 fuze can be used with a special spotting charge when firing the M483A1 projectile in the self-registration mode (para 5-9.4).
- d. If M577 and M582 fuzes are set for time and the timing mechanism fails, the fuze may or may not function on impact.

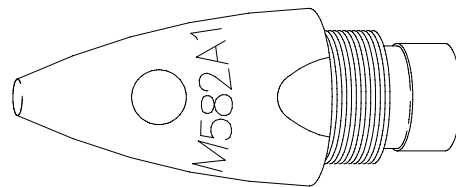
5-4 AUTHORIZED FUZES - CONTINUED

5-4.6 Fuzes, Mechanical Time Superquick, M577 and M582 Series - Continued

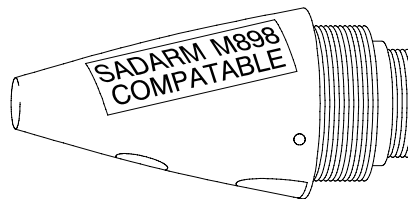
- e. These fuzes can be set with the M35 fuze setter or a flat-tip screwdriver. The time-setting key is located on the end of the fuze nose. The desired time is set under the hairline. Detailed setting instructions are outlined in paragraph 5-11.
- f. The fuzes are not sensitive to rain.



M577 SERIES FUZE



M582 SERIES FUZE



M577A1 FUZE

02pc112m

5-4.7 Fuze, Electronic Time (ET), M762 and M767 Series.

NOTE

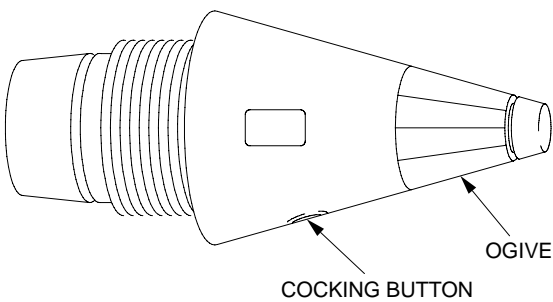
Once activated, the M762 and M767 series fuzes cannot be turned off; therefore the fuzes have approximately 15 days service life before the battery runs down and the LCD goes blank.

- a. These fuzes are powered by a reserve lithium battery. The battery is activated manually by rotating the ogive or remotely via inductive auto-set fire controls or a portable hand held inductive fuze autsetter. An electronic subassembly contains integrated circuits that provide controls and logic for 199.9 seconds electronic timing and transmit a fire pulse signal for time function. A liquid crystal display (LCD) provides a visual readout of the fuze setting, as follows:
 - (1) The column closest to the base end indicates time in hundreds of seconds (the triangle (▲) position is a nontime setting).
 - (2) The second column away from base end indicates time in tens of seconds.
 - (3) The third column away from base end indicates time in seconds.
 - (4) The fourth column (closest to nose end) indicates time in tenths of seconds.

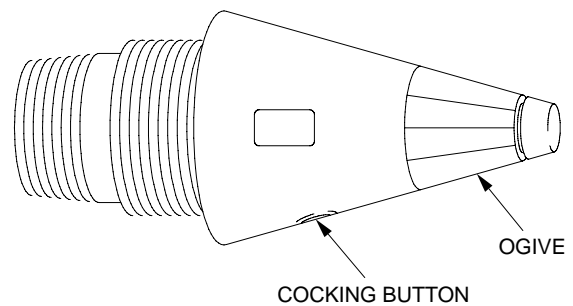
5-4 AUTHORIZED FUZES - CONTINUED

5-4.7 Fuze, Electronic Time (ET), M762 and M767 Series - Continued

- b. These fuzes contain an electromechanical safe and arming mechanism (S&A). When set for time function, the S&A provides overhead safety by arming at 50 milliseconds before set time. For this reason, if the fuze impacts before a time setting expires, there will be no PD back-up function. For PD setting, the S&A arms the fuze at 0.45 seconds in flight. Upon impact, a crush switch assembly (contained in the ogive) senses the impact and transmits a fire signal for PD action.
- c. These fuzes can be set either by hand (rotating ogive) and depressing selector and cocking button or remotely by a weapon equipped with auto-set fire control system. Detailed setting instructions are outlined in paragraph 5-11.5. The settings can be changed as many times as required for the duration of the activated life of the battery.
- d. These fuze bodies are anodized gold. The rear portion of the ogive is coated with a gold phosphate finish. The forward portion of the ogive is brown plastic for the basic fuzes and black plastic for the M762A1 and M767A1 fuzes. The nose cap is unpainted bronze for the M762/M767 and stainless steel for the M762A1/M767A1 fuze.
- e. The M762 series fuze does not contain a booster and is used with base-ejection projectiles. The M767 series fuze is fitted with a booster for firing with burster type and high explosive projectiles.
- f. The M762 series fuze can be used with a special spotting charge when firing the M483A1 and M864 projectiles in the self-registration mode. See para 5-9.4.
- g. If these fuzes fail in the time mode, there is no PD backup function.
- h. The fuzes are not sensitive to rain.



M767 SERIES FUZE



M762 SERIES FUZE

02pc113m

5-4 AUTHORIZED FUZES - CONTINUED

5-4.8 Fuze, Artillery, Multi-Option (MOFA): M782

These fuzes are intended for use with fragmentation (HE loaded) and burster-type projectiles. They are automatically remote set prior to launch via an inductive communication link. There are four functional modes on these fuzes, point detonating (PD), delay (DLY), variable time (VT), and time (TIME). An electronic subassembly containing integrated circuits provides control and logic for 199.9 seconds electronic timing, and transmits a fire pulse signal for time and proximity functions. The mission data transferred from the M1155 Portable Inductive Artillery Fuze Setter (PIAFS) to the fuze is confirmed by the setter and is displayed on a Liquid Crystal Display (LCD) module found on the setter. The readout provided for the fuze setting is as follows:

Fuze Menu

	M762	DM-52
	M767	DM-74
→	M782	*MORE*
	C32	*QUIT*

Fuze Setting Menu

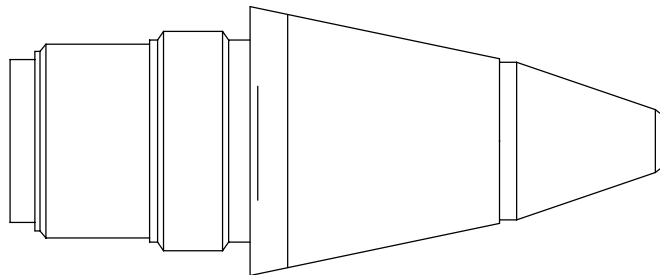
	FUZE :	M782
→	MODE :	VT
	TIME :	187 sec
	SET FUZE	

Mode Menu

→	TIME
	VT
	DELAY
	PD

Time Menu

1 0 0 . 0 sec



MULTI-OPTION FUZE ARTILLERY (MOFA), M782

02pc414m

MOFA utilizes a standard M739 Safety and Arming (S&A) mechanism that is housed in a retaining cup just below the detonator block. Both setback and spin locks are used to prevent accidental arming of the S&A prior to firing. This S&A mechanism provides a safe separation distance of at least 400 calibers of projectile travel when fired.

These fuzes are set remotely by a weapon equipped with auto-set fire control system or by a Portable Inductive Artillery Fuze Setter (TM 9-1290-210-12&P). The setting can be changed as many times as required.

This fuze is not sensitive to rain.

5-5 PROPELLING CHARGES.

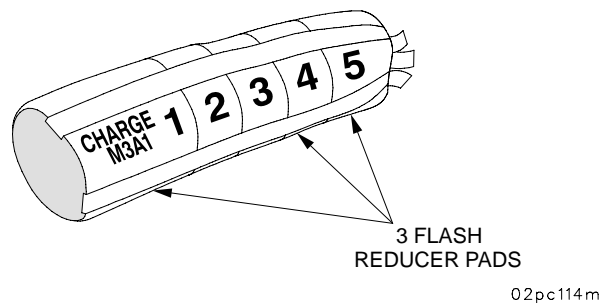
WARNING

Some propelling charges may have primer MK2A4 packed inside the container. This primer is not authorized for firing the M284 cannon.

5-5.1 Propelling Charge, M3A1.

This is a green bag charge divided into a base and four increments for firing in charges 1 thru 5. It has a flash reducer pad assembled in front of the base charge with similar 1 ounce (28.35 g) pads assembled in front of increments 4 and 5. The increment bags are tied together by cloth straps. A clean-burning igniter charge in a red cloth bag is sewn to the rear of the base section.

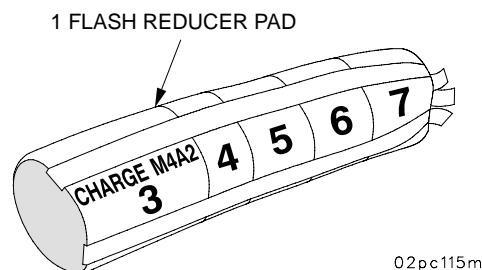
This is a green bag charge similar to the M3A1 propelling charge, except it is not assembled with flash reducer pads and black powder is used in the igniter pad.



M3A1 PROPELLING CHARGE (GREEN BAG)

5-5.2 Propelling Charge, M4A2.

This is a white bag charge consisting of a base charge and four increments for firing in charges 3 thru 7. The increments are tied together by cloth straps. A clean-burning igniter charge in a red cloth bag is sewn to the rear of the base section. It has a flash reducer pad assembled in front of the base charge.



M4A2 PROPELLING CHARGE (WHITE BAG)

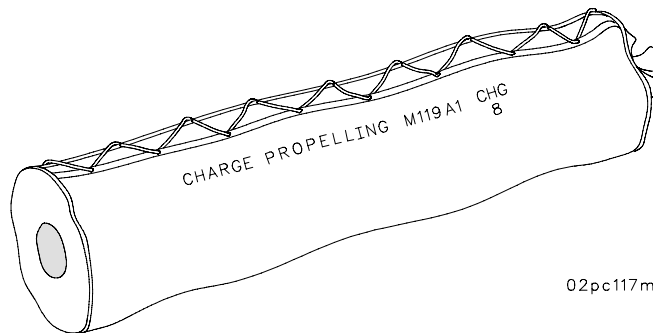
5-5 PROPELLING CHARGES - CONTINUED

5-5.3 Propelling Charge, M119A1.

WARNING

A central ignition core in M119A1 and M203 charge extends through the center of the charge for its entire length. The M119A1 and M203 charges must be stored and transported in a horizontal position so that any possibility of damage to the core in the form of cracks or splits is eliminated.

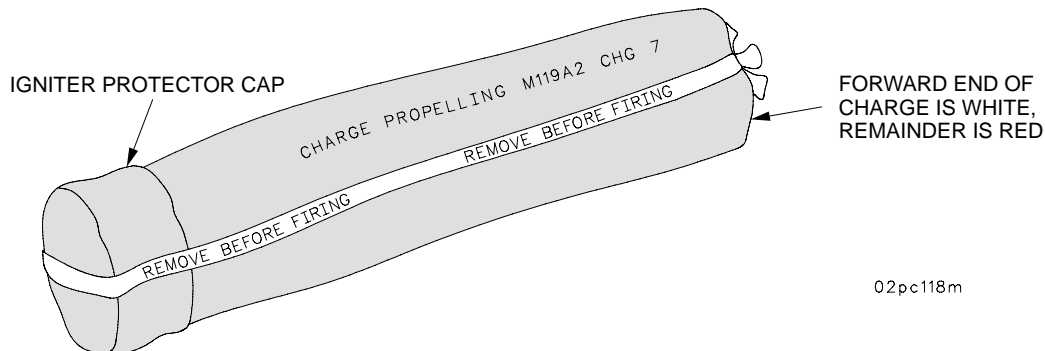
It is a single charge 8 and contains some design improvements including a modified flash reducer. The modified flash reducer allows firing of this charge with the M549 and M549A1 projectiles. A pull strap has also been added to the M119A1 charge that provides easier removal from the metal container. This pull strap must be removed from the charge before loading into the weapon tube.



M119A1 PROPELLING CHARGE (WHITE BAG)

5-5.4 Propelling Charge, M119A2.

This charge differs in appearance from the M119A1 in that it has no lacing jacket and the charge bag is red. It is a base ignited charge 7 with an igniter pad sewn on the base and a flash reducer which lines the side of the charge. Like the M119A1, it can be fired with the M549 and M549A1 projectiles. The igniter protector cap and tie strap must be removed prior to firing the charge. The M119A2 charge 7 is equivalent to the M119A1 charge 8.



M119A2 PROPELLING CHARGE (RED BAG)

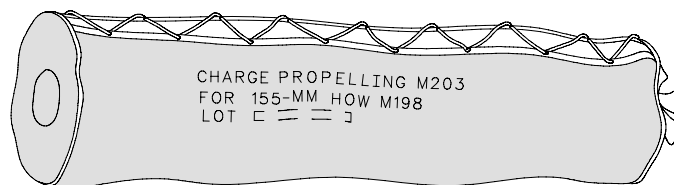
5-5 PROPELLING CHARGES - CONTINUED

5-5.5 Propelling Charge, M203.

NOTE

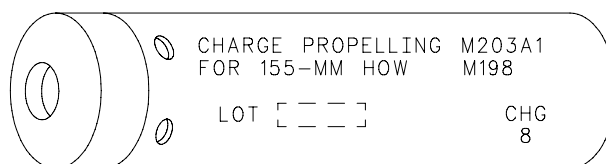
- Early production of M203 charges are marked charge 8S (i.e., super). Later production M203 charges are marked charge 8. The charges are ballistically equivalent and should be identified as charge 8, red bag.
- Do not attempt to unlace propellant.

The M203 propelling charge is a charge 8 propelling charge developed for extended range in long-tube (M284) 155MM howitzers. This red bag charge consists of one increment with an igniter bag sewn on its base, a central core igniter extending through the center of the charge, and a flash reducer in front of the charge. The entire length of the charge is encased in a tight-fitting lacing jacket for added strength and stability.



M203 PROPELLING CHARGE (RED BAG)

5-5.6 Propelling Charge, M203A1.



M203A1 PROPELLING CHARGE

02pc120m

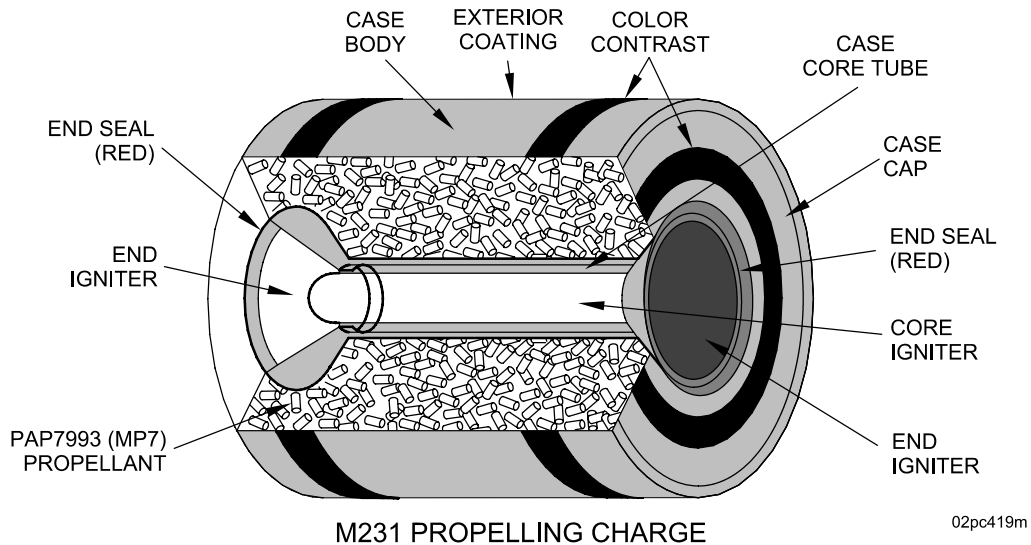
WARNING

Use M203A1 propelling charge in M109A6 howitzers, as they are equipped with M284 long-tube cannon.

The M203A1 propelling charge like the M203 is a charge 8 propelling charge developed for extended range in long-tube (M284) 155MM howitzers. This charge consists of one increment of stick propellant and a base igniter pad encased in a full length rigid combustible cartridge case. The charge also contains a wear reducing additive and a lead foil decoppering agent. The M203A1 charge 8 is ballistically equivalent to the M203 red bag charge 8.

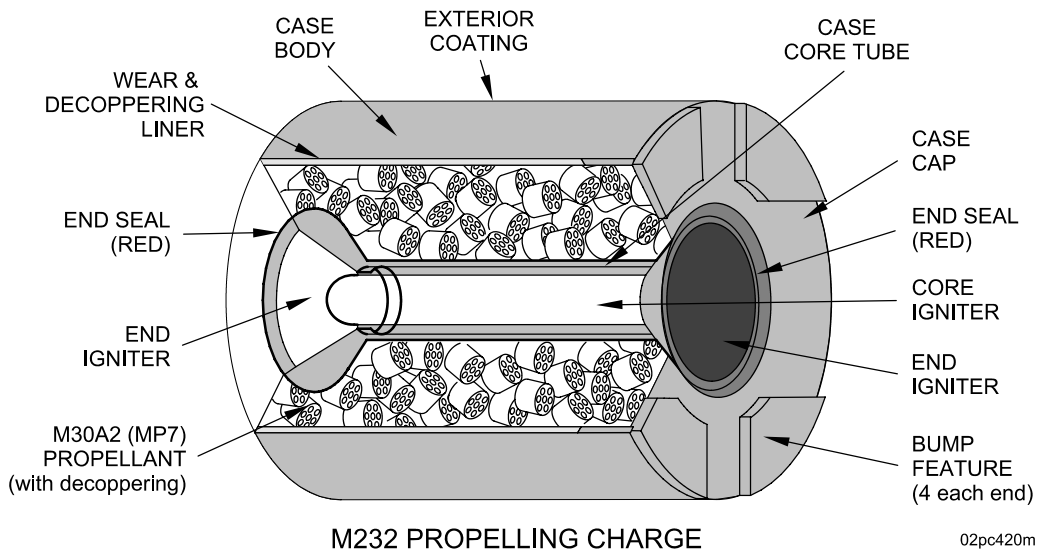
5-5 PROPELLING CHARGES - CONTINUED

5-5.7 Propelling Charge, M231.



The M231 propelling charge is comprised of a green-colored, coated, nitrocellulose-based combustible case with black markings and black bands. This charge is bi-directional (can be loaded in either direction). The M231 is fired in increments of 1 or 2 for charges 1 and 2.

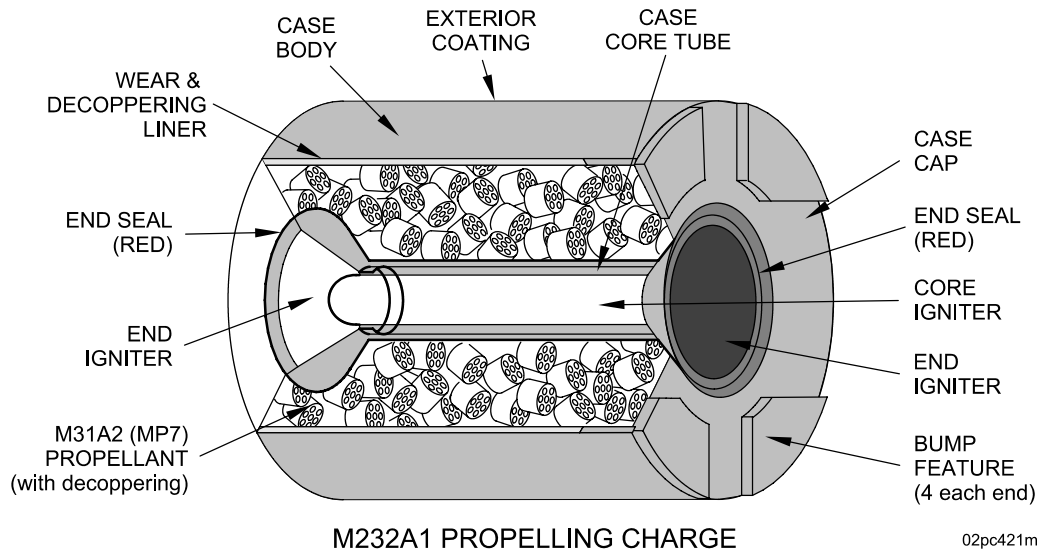
5-5.8 Propelling Charge, M232.



The M232 propelling charge is comprised of a tan-colored, coated, nitrocellulose-based combustible case with black markings. This charge is bi-directional (can be loaded in either direction). Each end has four raised 1/8-inch bumps. The M232 is fired in increments of 3 through 5 for charges 3 through 5.

5-5 PROPELLING CHARGES - CONTINUED

5-5.9 Propelling Charge, M232A1.



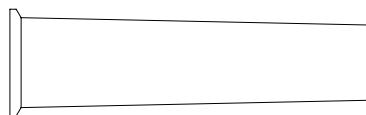
M232A1 propelling charge is comprised of a tan-color, coated, nitrocellulose-based combustible case with black markings. This charge is bi-directional (can be loaded in either direction). Each end has four raised 1/8-inch bumps. The M232A1 is fired in increments of 3 through 5 for charges 3 through 5.

5-6 PRIMER, M82.

WARNING

The M82 is the only primer authorized for firing in the M284 cannon. DO NOT FIRE THE MK2A4 IN THIS CANNON. TURN THEM INTO THE AMMUNITION SUPPLY POINT.

The primer, which is loaded separately from the projectile, is inserted into the primer chamber. When the cannon is fired, the firing pin strikes the primer which in turn ignites the charge, propelling the projectile forward.

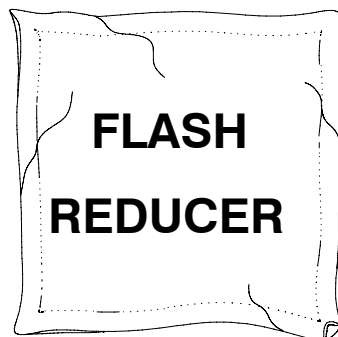


02pc121m

M82 PRIMER

5-7 FLASH REDUCER, M2 (T2).

The flash reducer pads serve to limit breech flashback, as well as muzzle flash and blast overpressure. This flash reducer consists of a red cotton cloth bag, 4 inches (10.16 cm) square, containing black powder and potassium sulfate or potassium nitrate.



02pc122m

M2 FLASH REDUCER

Section II. PREPARATION FOR FIRING

5-8 GENERAL.

5-8.1 Temperature Limits.

WARNING

To ensure that projectile upper temperature limit stays below +125°F (+52°C), it must be shaded when the weather is expected to be hot; i.e., the outside temperature is expected to exceed +100°F (+38°C) during the day.

Unless otherwise specified, observe the following limits when firing:

- a. Lower limit is -40°F (-40°C).
- b. Upper limit is +125°F (+52°C).

5-8.2 Temperature Check Procedures for MACS, M231 and M232/M232A1. ■

NOTE

Temperature will be taken using the standard issue M1A1 powder thermometer. The operating temperature of MACS is -50° F through +145° F.

- a. Lift the edge of the red end seal on either end of the increment and peel the seal back approximately halfway.

WARNING

Do not jab the round end igniter bag with thermometer or any other object that may be used to break through the edge of the red end seal. Black powder is impact sensitive and forceful impact of the bag may cause an accidental ignition.

NOTE

- Do not puncture the combustible case since this makes the increment defective.
 - Make sure thermometer is removed prior to loading charge.
- b. Lift the edge of the end igniter bag and insert the powder thermometer under the end igniter bag and down along the inside of the case core tube.
 - c. The thermometer must stay in the increment until the temperature stabilizes.

5-8 GENERAL - CONTINUED

5-8.3 Packing and Unpacking Ammunition Components.

Retain packing materials for repackaging, as required.

- a. The M3A1 propelling charge is packed two per metal container, with or without the MK2A4 primer. The M4A2, M119A1, M119A2, and M203 propelling charges are packed one per metal container.

WARNING

The M82 is the only primer authorized for firing in the M284 cannon. **DO NOT FIRE THE MK2A4 IN THIS CANNON.** The propellant may not ignite. **TURN THEM INTO THE AMMUNITION SUPPLY POINT.**

- b. The M231 is packed with four increments (two per extraction sleeve) in each metal container. The M232/M232A1 is packed five increments per extraction sleeve in each metal container. Extraction sleeves that are not full will be combined to reduce the number of partially loaded containers. These increments will be repacked into their correct type of sleeve with the repacked sleeves returned to their correct container (correct type and lot number) using the following procedures:
 - (1) Place one of the end cushions into the end of the extraction sleeve and lock in place using the velcro strap.
 - (2) Slide the correct amount of charges (two for the M231 and five for the M232/M232A1) into the open end of the extraction sleeve.
 - (3) Slide the separators between the charges, making sure they slide all the way in. The bumps on the M232/M232A1 must be aligned for the separators to slide all the way in.
 - (4) Place second cushion into the open end of the sleeve and lock in place using the second velcro strap.
 - (5) Slide extraction sleeve with charges into the container and close.
 - (6) Mark partially loaded containers so that they are not turned in as empty.
- c. The M82 primer is packed one per waterproof bag. Primers are ready for firing when unpacked and should be protected from blows that might cause accidental functioning.
- d. The M2 (T2) flash reducer is packed 200 per metal container (four containers, 800 flash reducers per wooden box).
- e. Fuzes are generally packed in metal boxes. The metal boxes are then packed in wooden boxes.
- f. Refer to para 5-21 for unpacking and inspection procedures for the M712 Copperhead (HEAT) and M823 training projectiles.

5-8 GENERAL - CONTINUED

5-8.4 Procedures.

WARNING

Inspect your ammunition. Failure to accomplish required inspections can result in unnecessary malfunctions causing injury or death.

CAUTION

Do not use axes, crowbars, etc. which may damage ammunition or packaging.

- a. Inspect ammunition components and verify item identification.
- b. Unpack ammunition and perform inspections indicated in para 5-21.
- c. Return all defective ammunition to ammunition supply point (ASP).

5-8.5 Field Artillery Projectile Pallet (FAPP).

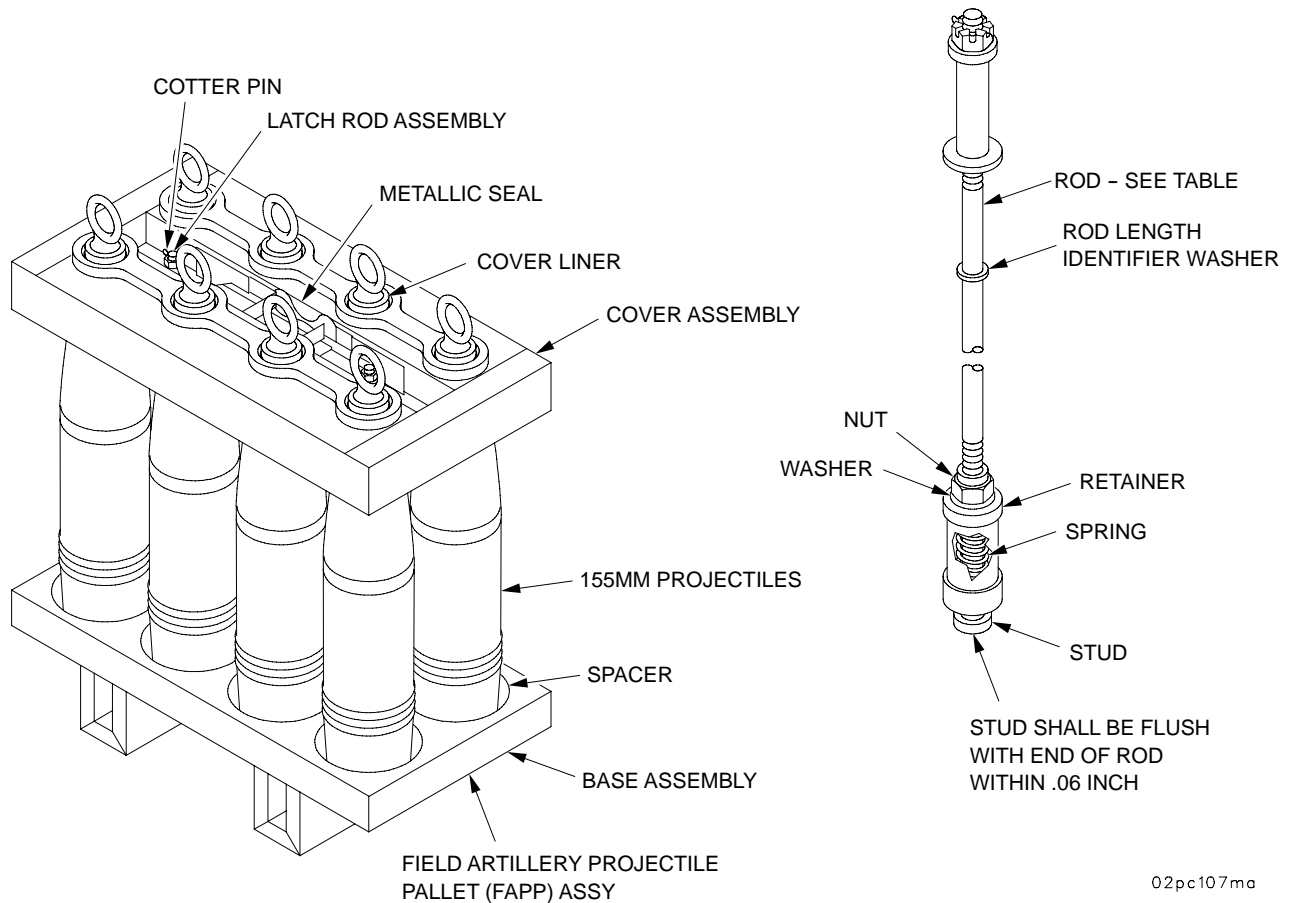
a. General. The FAPP is a NBC decontaminable, non-flammable, reusable metal pallet. It allows for easy repalletization in the field with no special tools required. The FAPP consists of a steel pallet base, steel pallet cover and two adjustable rods that hold the cover to the base. The two adjustable rods hold securely the FAPP without any banding needed. There are plastic spacers under the base of the projectile and on top of the lifting plug to prevent abrasion. The FAPP holds up to eight 155MM projectiles with a minimum of two projectiles and it accommodates both the plastic grommet and the flexible rotating band cover (FRBC) for rotating band protection. Before loading the FAPP with projectiles, the latch rods must be assembled to the pallet base. The center of the pallet is loaded first to avoid tipping over. Once the FAPP is loaded, the pallet cover with the handles in open position is placed over the projectiles. The pallet cover is then closed by pushing the handles down into the lock position.

5-8 GENERAL - CONTINUED

5-8.5 Field Artillery Projectile Pallet (FAPP) - Continued

b. Instructions. Complete instructions for assembling, loading, and unloading the FAPP are found in TM 9-1300-251-20&P, Unit Maintenance Manual, Artillery Ammunition for Guns, Howitzers, Mortars, Recoilless Rifles, and 40-mm Grenade Launchers, and TM 9-1300-251-34&P, Direct Support and General Support Maintenance Manual, Artillery Ammunition for Guns, Howitzers, Mortars, Recoilless Rifles and 40-mm Grenade Launchers.

PROJECTILE	ROD LENGTH	BASE SPACERS
M107, M110 SERIES, M449 SERIES, M485A1, M804 SERIES	24.5 INCH	5.5 INCH WIDE - GREEN
M795	30 INCH	5.9 INCH WIDE - BLACK
M549 SERIES	31.5 INCH	5.5 INCH WIDE - GREEN
M483A1, M692, M718, M731, M741, M864, M898	32 INCH	5.9 INCH WIDE - BLACK



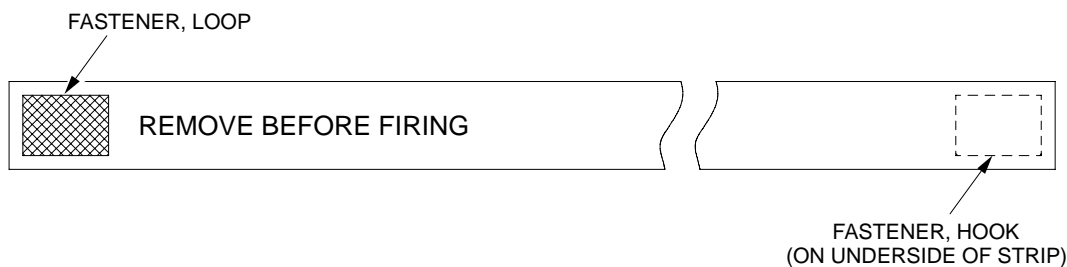
5-8 GENERAL - CONTINUED

5-8.6 Flexible Rotating Band Cover (FRBC).

a. General. The FRBC, as well as the grommet, is used to protect the rotating band of artillery projectiles from corrosion, dirt, and damage during transportation, handling, and storage. The FRBC can be discarded or replaced in the event of NBC contamination. The FRBC consists of a cloth band with hook and loop attachable ends. Once the FRBC is wrapped around the projectile rotating band, it has to be pulled on the two ends until it is tight against the rotating band. The FRBC is then closed by pressing the loop end against the hook end of the fastener and the words "REMOVE BEFORE FIRING" visible in the upright position.

b. Replacement. The FRBC should be replaced if any of the following occurs:

- (1) The FRBC doesn't stay firmly on with sufficient resistance to opening.
- (2) The FRBC exhibits cuts that expose the rotating band.
- (3) The FRBC marking is unreadable due to age and wear.



02pc091mo

5-9 PREPARATION FOR FIRING.

Preparation for firing the four components of a complete round of 155MM ammunition requires efficient teamwork among the crew. They must quickly and accurately select, unpack, inspect, and prepare the correct primer, propellant, projectile, and fuze from the fire commands received by the howitzer section. The chief of section must thoroughly cross-train the entire crew so that any crewman can perform any or all of the duties required of other crewmembers.

5-9.1 Primer, M82.

Do not open the moisture protective bag until ready to use the primer. Cannoneer loads the primer.

5-9.2 Propelling Charges.

Propelling charges come packed in hermetically sealed metal containers. There is one complete charge in each container of the M4A2, M119 series and M203 series charges. The M3A1 green bag charge is packed with two complete charges in each metal container. Check the following when preparing the propellant for firing:

5-9 PREPARATION FOR FIRING - CONTINUED

5-9.2 Propelling Charges - Continued

- a. Select the right charge announced in the fire command.
- b. Unpack the charge from the metal container and inspect the charge for torn cloth, loose powder grains, or discoloration of the cloth bags.
- c. For M203A1 propelling charge only, pull pull-straps until the buttons on the base igniter assembly clear the mouth of the container. Grasp charge around the buttons and pull charge out of the container, supporting it along its length to avoid dropping the charge. Do not fire charges which have severely crushed or distorted cases and/or contain missing or broken propellant.
- d. Remove the igniter cap and inspect the red igniter pad. The pad should not be torn or wet. The igniter powder grains are highly hygroscopic (will absorb moisture); the grains could stick together, which could cause misfires. The igniter powder grains should move freely inside the pad to show that they are not stuck together. Unserviceable charges should be set aside for disposal by authorized personnel.
- e. Check the smell of the powder charge and its container. There should not be a sour, acid smell as this indicates the charge became wet. There should be a sweet ether-like smell, indicating that the charge is fresh.
- f. Remove any excess powder increments (those increments with a higher number than called for in the fire command), and retighten the tie straps so that all powder increments are secure, with the highest numbered charge (per fire command) on top.
- g. Place the unused powder increments in a secure container and dispose of them later by burning under the supervision of an officer.

5-9.3 Modular Artillery Charge System (MACS).

The MACS propelling charges are combustible case type charges that are packed in hermetically sealed metal containers. The M231 MACS is packed with four increments (two per extraction sleeve) in each metal container. The M232/M232A1 MACS is packed with five increments per extraction sleeve in each metal container. Check for the following when preparing propellant for firing:

- a. Select the right charge announced in the fire command.
- b. Unpack the charges from the metal container by pulling on the velcro strap removing the sleeve with the MACS enclosed from the container. Remove separator assembly by pulling on the connecting strap. Open the velcro strap and remove end cushions from either end of the sleeves. Push the needed amount of MACS from the opposite end of the sleeve through the now open end of the sleeve. Charges that are severely crushed, distorted, or broken are not to be fired.
- c. Check the red end seals on the end of the charges. If the seal is torn, punctured, or missing, inspect the end igniter bag. The pad should not be torn or wet. The igniter powder grains are highly hygroscopic (will absorb moisture); the grains will stick together, which could cause misfires. The igniter powder grains should move freely inside the pad to show that they are not stuck together.
- d. Unused MACS charges are repacked for later use.

5-9.4 Projectiles.

Projectiles for these howitzers normally come packed eight to the pallet, with top and bottom of the wooden pallets banded together or of the metal pallets (FAPP) secured together with rods. (For preparation of M712 projectile (Copperhead), see section IV of this chapter.) Each projectile has a lifting plug and a grommet or a flexible rotating band cover (FRBC) attached for protection during shipping and handling activities. Refer to para 5-19.4 for the LPRS, an optional system for securing loose, unfuzed projectiles for transportation.

5-9 PREPARATION FOR FIRING - CONTINUED

■ 5-9.4 Projectiles - Continued

WARNING

Do not remove the grommet or flexible rotating band cover (FRBC) from the projectile until it is ready to be fired. If the grommet or flexible rotating band cover (FRBC) has been removed and the projectile is not fired, the grommet or FRBC should be replaced. Handling or transporting projectiles without a grommet or FRBC is likely to cause damage to the obturator band as well as to the rotating band.

NOTE

These procedures apply to all projectiles, except for the M483A1 and M864 projectile when used in the self-registration mode.

Cannoneer selects the right projectile announced in the fire commands and prepares it for firing as follows:

- a. Inspects and cleans projectile.
 - (1) Verifies that the projectile is the type designated by the fire commands.

NOTE

A projectile with a burred rotating band will be put aside until the burrs can be removed with a file.

- (2) Removes grommet or flexible rotating band cover (M795 projectile) and examines rotating band to ensure that it is free from all dirt and burrs.
- (3) Cannoneer removes lifting plug and gasket and examines the fuze well for leaks or damage to the filler. If any high-explosive filler residue clings to the threads of the fuze well, the round is rejected and another one is used to complete the fire mission.

WARNING

Dirt or grease left on the projectile rotating band could cause failure of the projectile to seat properly in the forcing cone. Firing of an unseated projectile could result in inbore explosion causing injury or death to personnel.

NOTE

Any sand, dirt, oil, or grease left on the projectile will cause wear, scratches, or gouges in the bore.

- (4) Cannoneer examines the entire projectile for defects and checks to see that the projectile is not damaged or corroded and is free of dirt, grease, sand, and oil. Slight rust on the projectile is acceptable.

5-9 PREPARATION FOR FIRING - CONTINUED

5-9.4 Projectiles - Continued

- b. Cannoneer holds the projectile upright for fuzeing and fuze setting.
 - (1) If required, gunner holds the projectile firmly while cannoneer fuzes the projectile and sets the fuze.
 - (2) When directed, cannoneer reads and announces the time set on the fuze.

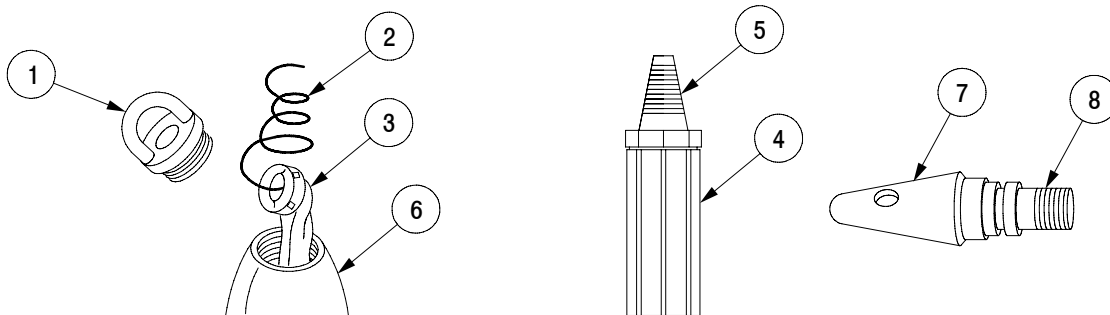
WARNING

Care must be exercised in placing the ammunition in the hull to prevent damage to the rotating band or fuze and bodily harm to the ammunition handler.

- c. Cannoneer carries fuzed projectile to the howitzer and places it where it will be convenient for loading.

5-9.5 Special Preparation of the M483A1 or M864 Projectile for Use in the Self-Registration Mode.

When the command for use of the M483A1 ICM projectile includes the self-registration mode, the expulsion charge inside the nose of the projectile must be removed and a projectile spotting charge threaded on the fuze as



02pc123m

follows:

- a. Remove the fusible or universal lifting plug (1) with attached gasket. When lifting plug is removed, the compressed coiled pull-wire (2) on the bagged expulsion charge assembly (3) will expand and protrude beyond the fuze well of the projectile ogive. If the projectile is assembled with the cylindrical plastic expulsion charge assembly (4), the tab (5) will pop up.
- b. Remove the expulsion charge assembly (3) or (4) by grasping and firmly pulling the pull-wire (2) or tab (5). Set charge assembly aside for disposition. Visually inspect the fuze well (6) for loose grains of propellant or other foreign material. Remove any loose material.

WARNING

When screwing the projectile spotting charge onto rear of the M577 series fuze or M762 fuze, ensure that shoulder of projectile spotting charge is seated squarely against shoulder of fuze. An improperly seated charge could cause a malfunction.

5-9 PREPARATION FOR FIRING - CONTINUED

5-9.5 Special Preparation of the M483A1 or M864 Projectile for Use in the Self-Registration Mode - Continued



When assembling projectile spotting charge to fuze, be careful to avoid damaging threads. If binding occurs, consider charge unserviceable and report it for disposition. If binding has occurred, reinspect fuze to assure it is still serviceable.

- c. Obtain an M577 series fuze or an M762 fuze (7) and a projectile spotting charge (8) (1320-00-171-0760 D003).
- d. If firing the M483A1 or M864 projectile in the self-registration mode, screw the projectile spotting charge (8) handtight on the M577 series or the M762 fuze (7) (left-hand thread).

5-10 FUZE PREPARATION.

5-10.1 General.

There are four basic type fuzes: impact, mechanical time, electronic time, and proximity variable time (VT) fuzes. On command, "FUZE", select the right fuze, unpack, inspect, install it in the projectile, and set it as commanded (TIME, SUPERQUICK, DELAY).

5-10.2 Lifting Plug Removal.



- Do not use a projectile with explosive on the threads or evidence of explosive powder seepage. It could cause detonation of the projectile, if fired.
 - Do not use the M549/M549A1 projectile if the lifting plug has been broken. Do not attempt to extract any portion of the plug from the fuze well of the projectile. Return projectile to the supply point.
- a. Remove plug and inspect the filler beneath the plug.
 - b. Inspect cavity and projectile threads for damage. Remove loose material from cavity. If any high explosive is found stuck to the threaded portion of the projectile throat, do not fire.

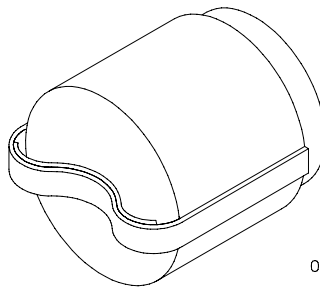
5-10 FUZE PREPARATION - CONTINUED

5-10.3 Supplementary Charge.

WARNING

- Do not fire point-detonating (PD), mechanical time superquick (MTSQ), electronic time (ET), or the short intrusion variable time (VT) fuzes in a deep-cavity projectile without the supplementary charge, as an inbore premature detonation (or function) may result.
- Do not attempt to remove supplementary charge by any means other than the lifting loop. Use of screwdrivers or other tools to remove the charge by force is dangerous.

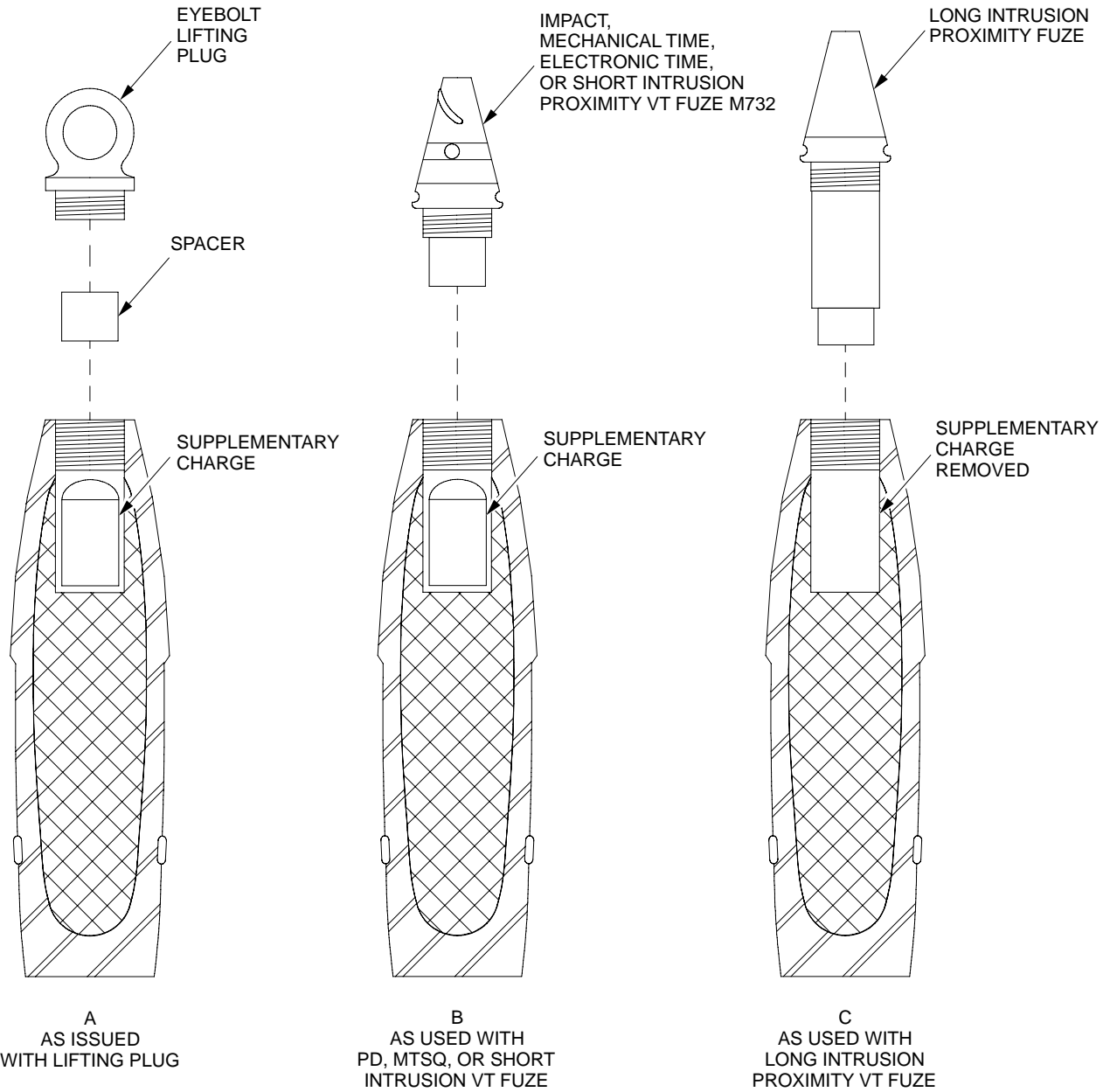
For the long intrusion proximity fuze firings, remove supplementary charge by means of its lifting loop. If the charge cannot be removed by its lifting loop, either fire with a short intrusion VT, PD, ET, or MTSQ fuze or dispose of the round.



02pc127m

SUPPLEMENTARY CHARGE

5-10 FUZE PREPARATION - CONTINUED



TYPICAL DEEP-CAVITY PROJECTILES

02pc126m

5-10 FUZE PREPARATION - CONTINUED

5-10.4 Fuze Assembly.

NOTE

- The following procedures apply to all fuzes.
 - For proximity fuzes with a gap between the fuze shoulder and projectile, either replace the supplementary charge and fire with impact PD, ET, or MTSQ or short intrusion (VT) fuze, or dispose of round.
- a. Screw fuze in by hand. If binding occurs, inspect fuze cavity and threads of both fuze and projectile. Reject whichever is at fault.

WARNING

- Rounds fired without a fuze or with improperly seated fuzes may result in premature functioning.
- When tightening fuze to projectile, do not hammer on fuze-setter wrench or use extension handle on fuze-setter wrench. Do not stake fuze to projectile under any circumstance. Shocks transmitted to fuzes during assembly may cause malfunction.

CAUTION

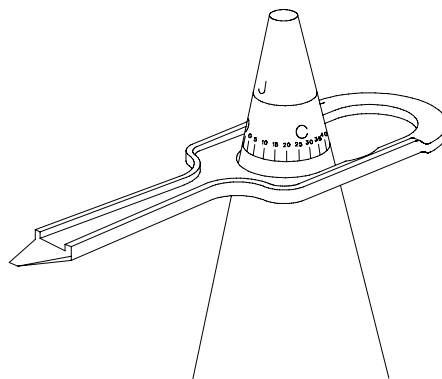
Always be sure that the supplementary charge is in the deep cavity projectile before adding fuze-booster combination.

- b. After assembling fuze by hand, back fuze off 1/4 turn. Using M18 fuze-setter wrench, tighten fuze to projectile with a sharp snap of the wrench so that the fuze shoulder is seated firmly against the projectile nose.

5-10 FUZE PREPARATION - CONTINUED

5-10.4 Fuze Assembly - Continued

- c. If projectile setscrew is present, tighten to below level of contour of projectile.



02pc124m

5-10.5 Special Preparation for the M577 Series Fuze.

WARNING

When screwing the projectile spotting charge on to the rear of the M577 series fuze, ensure that the shoulder of the projectile spotting charge is seated squarely against the shoulder of the fuze. An improperly seated charge could cause a malfunction.

CAUTION

When assembling the projectile spotting charge to a fuze, be careful not to damage threads. If binding occurs, consider the charge unserviceable and report it for disposition. If binding has occurred, reinspect the fuze to ensure it is still serviceable.

Inspect the fuze setting. The fuze will be considered unserviceable if the setting is not between ◀ 93.5 and ◀ 95.5, the fuze shows signs of damage, or the window is blackened or sooty inside.

5-11 FUZE SETTING.

Fuze-setting tools and procedures are listed in this table.

Table 5-4. Fuse, Fuze-setting Tools, and Procedures

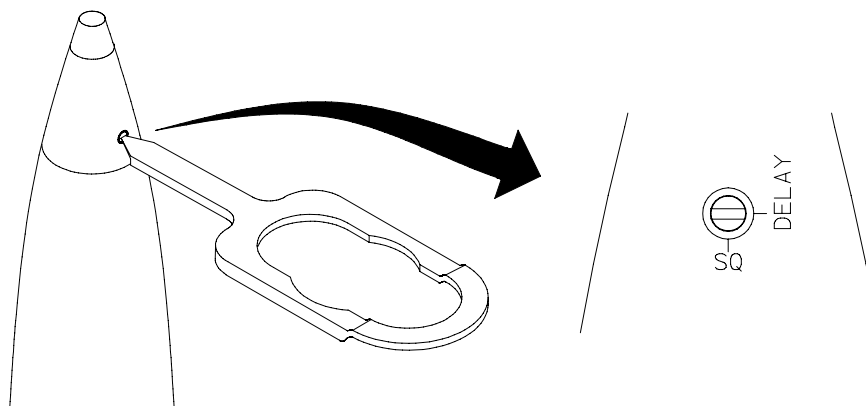
FUZE								SETTER	PROCEDURE #1 PARAGRAPH NUMBER
MOFA	ET	PD		MT	MTSQ		PROX		
M782	M762/ M767 SERIES	M557 M572	Mk399 MOD1 M739	M565	M564	M577/ M582/ SERIES	M732 M728 M514 SERIES		
		X	X					Fuze-setter wrench, M18	1/5-11.1
							X	M27	2/5-11.2
				X	X			M34	3/5-11.3
						X		M35	4/5-11.4
	X							N/A	5/5-11.5
X								M1155	6/5-11.6

5-11.1 Procedure Number 1, Fuzes, M557, M572, Mk399 MOD1, or M739 Series.

NOTE

Point-detonating (PD) fuzes, with superquick (SQ) or delay functioning are set shipped for SQ action. The Mk399 MOD1 MOUT fuze is shipped set on the DLY (Delay) mark.

- a. If superquick action is desired, check the setting to make sure it is set at SQ.
- b. To set fuzes for delay action, use screwdriver end of the M18 fuze-setter wrench or similar tool and turn slot 1/4 turn to align with index mark indicating DELAY.



02pc128m

5-11 FUZE SETTING - CONTINUED

5-11.2 Procedure Number 2, Fuzes, M728, M514 and M732 Series Proximity VT Fuzes.

WARNING

- Do not fire projectile unless fuze is fully seated. Inbore explosion may result.
- Do not attempt to set fuze until just before firing.

CAUTION

The plastic nose cones rotate with the index mark. Damage to the plastic cone will produce duds. However, since there is no backlash, fuze setting can be accomplished or changed one or more full turns without harmful effect. If counterclockwise rotating is used, be sure that the fuze has not become loosened from the projectile.

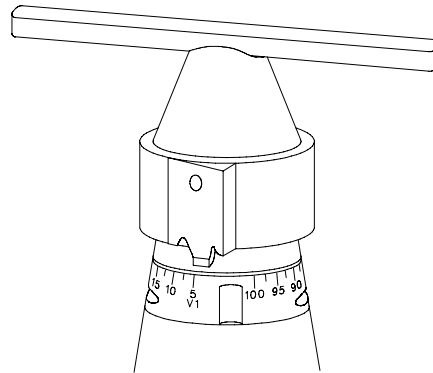
NOTE

- M514 and M728 fuzes are shipped with the index mark on the nose cone set at 10 seconds. The M732 fuze is shipped with the index mark aligned with PD. The M514 and M514B1 fuzes are shipped with the index mark aligned with the 1/8". The M514A1 fuze is shipped with the index mark aligned with the shipping line (long vertical arrow).
- Rotation of the M732 fuze nose cone has been experienced at top zones (not a safety hazard). If this occurs when M732 fuze is set on time for proximity function, PD function might occur instead. In such instances, set the fuze to a time of 10 seconds less than the time of flight for proximity function. If nose cone rotation occurs when the M732 fuze is set on PD mark, proximity functioning may occur instead of impact functioning. In such instance, set the fuze to a time equal to time of flight plus 10 seconds for impact function. The PD setting of the M732VT fuze when fired into soft impact areas will be less deadly than the superquick (SQ) setting of the M739 PD fuze.

5-11 FUZE SETTING - CONTINUED

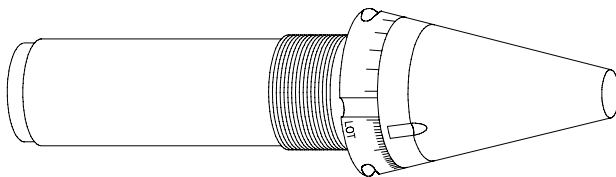
5-11.2 Procedure Number 2, Fuzes, M728, M514 and M732 Series Proximity VT Fuzes - Continued

- a. To set fuze for proximity action, rotate nose cone with the M27 fuze setter, normally in the clockwise direction, while looking down on the nose of the fuze, until the index mark coincides with the announced time. Fuze setting can be changed one or more times with no harmful effects.

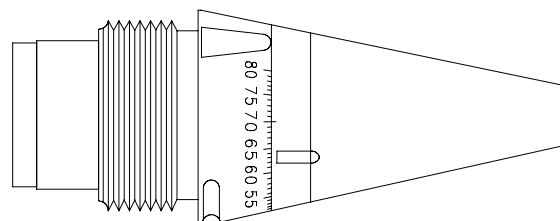


02pc129m

- b. The M732A2 fuze is set manually by simultaneously depressing two pushbuttons in the ogive and rotating the setting ring to the desired position. When the pushbuttons are released, the setting ring is locked into position.
- c. For impact functioning of fuzes M728, and M514 series, set fuzes on PD mark using the M27 fuze setting. On some models the PD mark coincides with 90 seconds proximity setting.
- d. The fuze is set when index line at base of nose cone is aligned with time, in seconds, engraved on base of fuze.
- e. Firing temperature limits for M728 and M732 series proximity fuzes are -40° to $+140^{\circ}\text{F}$ (-40° to 60°C) and 0°F to 120°F (-18°C to $+49^{\circ}\text{C}$) for M514 series.
- f. For impact functioning of fuze M732, set fuze on PD mark using the M27 fuze setter.



M728 OR M514 SERIES FUZE



M732 FUZE

02pc130m

5-11 FUZE SETTING - CONTINUED

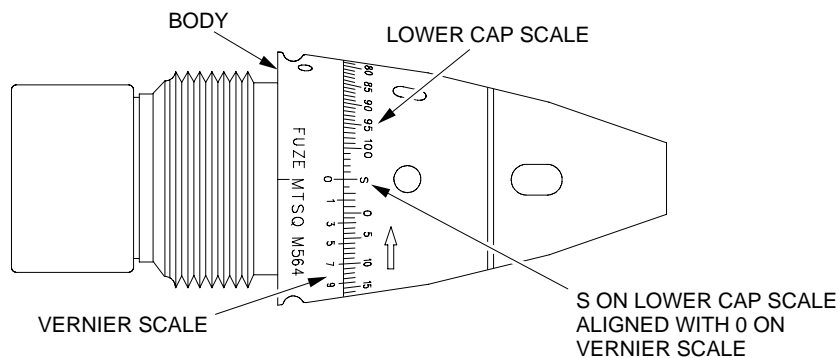
5-11.3 Procedure Number 3, Fuzes, M564 and M565.

5-11.3.1 Setting M564 Fuze for Superquick (Impact) Action. If the M564 fuze is to be fired for super quick action (impact) only, first check the year of manufacture stamped on the fuze body. Follow instructions below as appropriate.

WARNING

- To avoid accidental functioning of PD element in M564 fuze, do not drop, roll or strike the fuze under any circumstances (packaged, unpackaged or assembled to the projectile).
- Do not attempt to set fuze until just before firing.

M564 fuzes manufactured before January 1970 must be set on 90 seconds if superquick action (impact) is desired. M564 fuzes manufactured from January 1970 on should be left set on "S" for superquick action. The year of manufacture is stamped on the M564 fuze body. These fuzes are shipped with the "S" on the lower cap scale aligned with the "0" on the vernier scale.

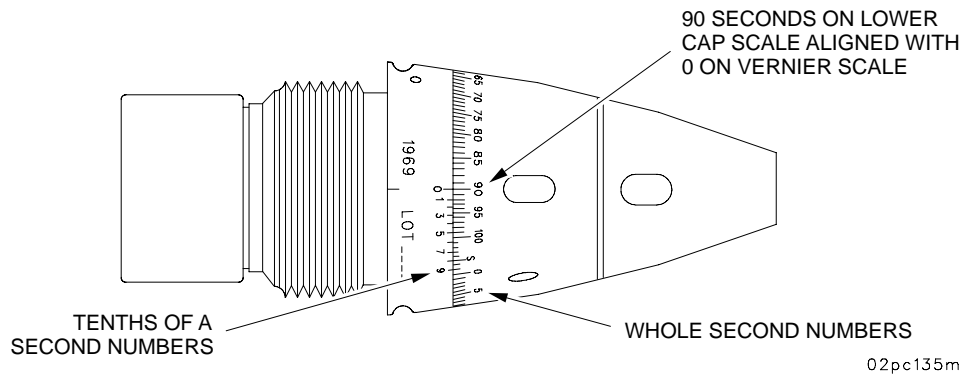


02pc134m

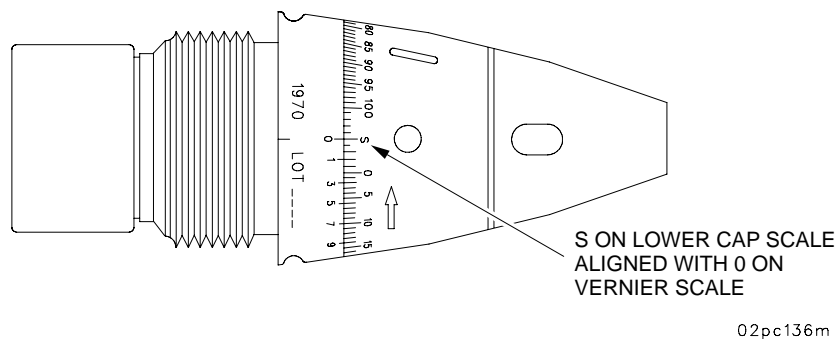
5-11 FUZE SETTING - CONTINUED

5-11.3 Procedure Number 3, M564 and M565 - Continued

- a. For M564 fuzes manufactured prior to January 1970, use M34 fuze setter to rotate the lower cap in the direction of the arrow (clockwise) from shipping "S" position until the 90-second position on the lower cap scale is aligned with the "0" on the vernier scale.



- b. For M564 fuzes manufactured in January 1970 and later, set the fuze on "S" as shipped for superquick action. Always be sure the "S" on the lower cap scale is aligned with the "0" on the vernier scale.



5-11 FUZE SETTING - CONTINUED

5-11.3 Procedures Number 3, Fuzes, M564 and M565 - Continued

5-11.3.2 Setting M564 and M565 Fuzes for Airburst (Time).

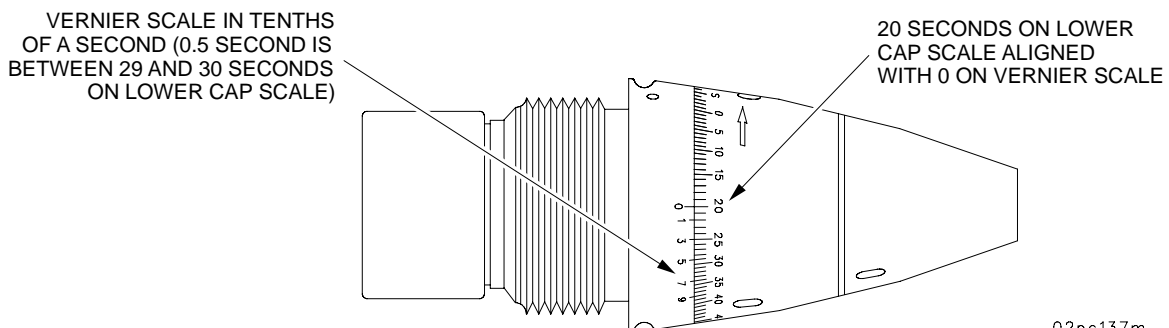
WARNING

- Incorrect settings of MT and MTSQ fuzes can and have resulted in downrange premature malfunctions. The safety of personnel located downrange of a weapon firing MT and MTSQ fuzes (between the weapon and the intended target) is in the hands of the gun crew personnel assigned to the job of setting the fuzes.
- Do not attempt to set the fuze until just before firing.

NOTE

The whole second fuze setting is always indicated by the position of the "0" on the vernier scale. Each vertical mark on the lower cap scale (moveable portion of the fuze) represents one whole second of time. For other than whole-second settings, the "0" on the vernier scale (nonmoveable portion of the fuze) must always be to the right of the whole-second portion of the desired fuze setting and the next one whole-second vertical mark. For example, for a setting of 20.5 seconds, the "0" on the vernier scale is to the right of the 20-second mark and midway between the 20 and 21-second marks on the lower cap scale.

- To set the M564 and M565 fuzes for a whole-second time setting use the M34 fuze setter to rotate the lower cap in the direction of the arrow (clockwise), until the desired whole number of seconds (e.g., 20.0 seconds) on the lower cap scale is aligned with the "0" mark engraved on the vernier scale.



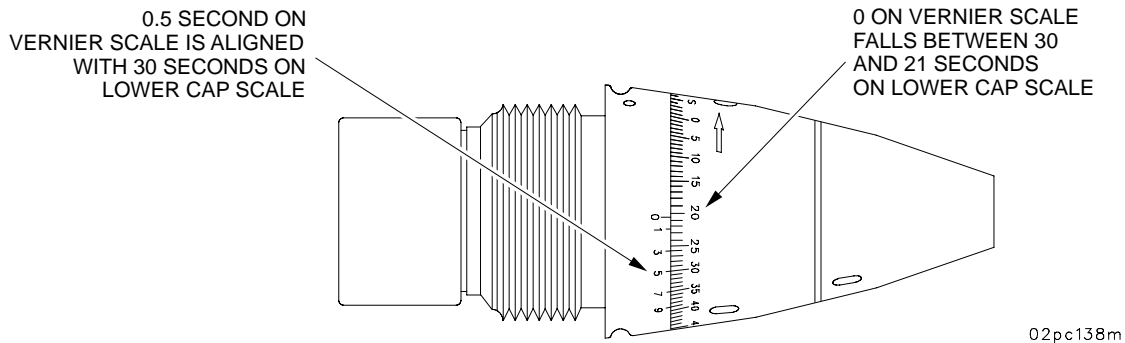
02pc137m

5-11 FUZE SETTING - CONTINUED

5-11.3 Procedure Number 3, Fuzes, M564 and M565 - Continued

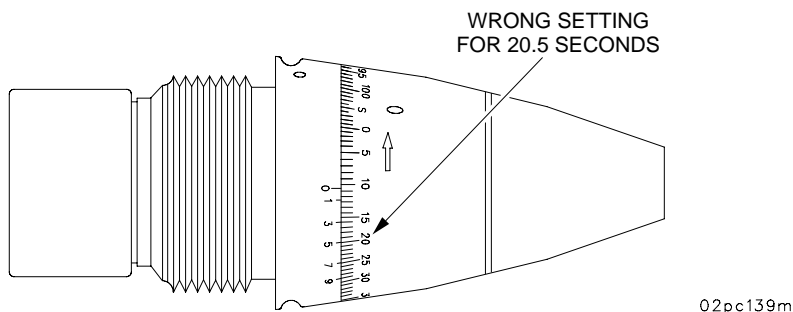
5-11.3.2 Setting M564 and M565 Fuzes for Airburst (Time) - Continued

- b. To set the M564 and M565 fuzes for a tenth of a whole second (e.g., 20.5 seconds), use the M34 fuze setter to set the fuze for the whole seconds on the lower cap scale (in this case the whole is 20 seconds). Next find the desired tenth of a second mark on the vernier scale. Continue to rotate the lower cap in the direction of the arrow until the adjacent upper right graduation on the lower cap scale is aligned with the desired tenth of a second mark on the vernier scale. (The 0.5-second mark is now aligned with the 30-second mark on the lower scale.)



NOTE

An incorrect fuze setting for 20.5 seconds is shown below. If a fuze is set in this way for 20.5 seconds firing, the fuze is actually set on and will function at 10.5 seconds. This would cause the fuze to function earlier than desired.



5-11.3.3 Resetting Fuze. If you miss the setting, use the M34 fuze setter and turn the lower cap in the opposite direction (counterclockwise) 2 or 3 seconds below the desired setting. Then rotate the lower cap in the direction of the arrow (clockwise) and set the fuze on the correct time. Always make the final setting from low to high numbers.

5-11 FUZE SETTING - CONTINUED

5-11.3 Procedure Number 3, Fuzes, M564 and M565 - Continued

5-11.3.4 Fuzes Not Fired. If prepared for firing but not fired, reset the fuze, using M34 fuze setter, by turning the lower cap in the direction of the arrow (clockwise) until the "S" mark on the fuze lower cap scale is in line with the "0" mark on the vernier scale.

5-11.3.5 Fuzes Fired in Heavy Precipitation. If M564 fuzes are fired in heavy precipitation (rain, snow, sleet, hail), occasional downrange premature functioning may occur. The rainfall necessary to cause malfunctioning is comparable to a heavy downpour which occurs during a summer thundershower. The premature rate will vary with the charge fired and the density of the precipitation.

5-11.4 Procedure Number 4, Fuzes, M577 Series and M582 Series.

The slotted setting key on the nose of the fuze is used for setting the fuze.



Do not attempt to set these fuzes below 93.5 when setting them in the clockwise direction or above 200 seconds when setting them in the counterclockwise direction. The settings of 000 and/or 200 are not authorized service settings.

NOTE

The M577 series or M582 series fuze is set to desired time by rotating the fuze setter in a counterclockwise direction. To return to shipping and storage setting, the fuze setter must be rotated in a clockwise direction.

- a. Press the open end of M35 fuze setter against the setting key.

DIRECTION OF SETTING OR RESETTNG FUZE M577 SERIES OR M582 SERIES

COUNTERCLOCKWISE

CLOCKWISE

SHIPPING AND STORAGE SETTING

(◀93.5 to ▶95.5)

1/4 TURN

PD SETTING (▶98.0)

1/4 TURN

001 SECONDS

1/4 TURN

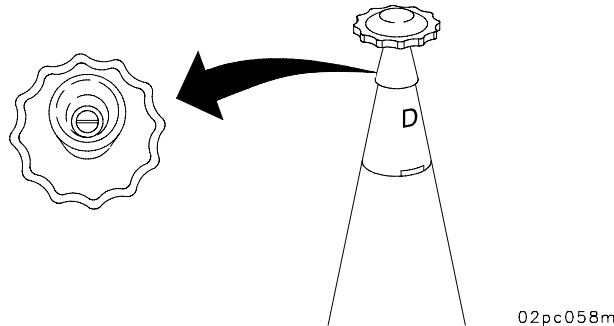
200 SECONDS

20 TURNS

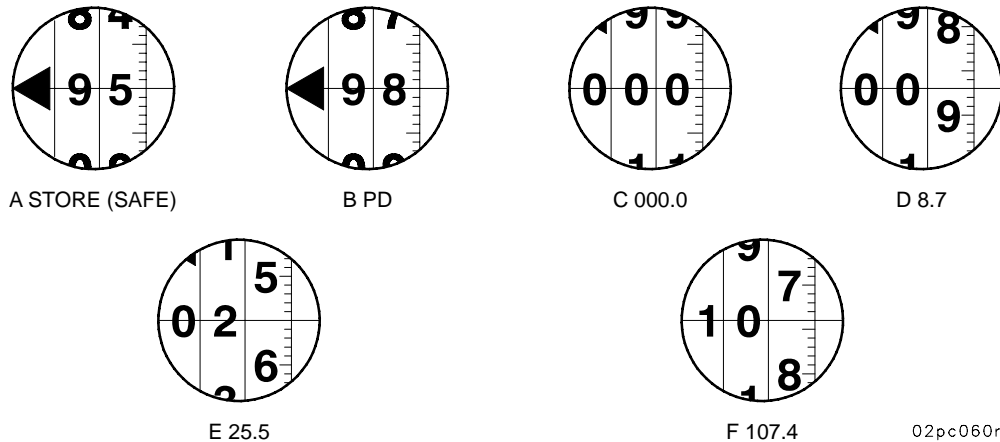
5-11 FUZE SETTING - CONTINUED

5-11.4 Procedure Number 4, Fuzes, M577 Series and M582 Series - Continued

- b. Turn the knob handle of the fuze setter counterclockwise, as viewed from the nose end, until the fuze setter blade engages fuze setting key slot. The hairline in the window is used for all settings.



- c. When setting the fuze for PD action (superquick), start with shipping and storage position (safe) (◀93.5 to ▶95.5); then turn counterclockwise to ▶98.0 under the hairline window for PD action.
- d. To set the fuze for mechanical time action, turn the fuze setter counterclockwise from safe position (◀93.5 to ▶95.5) past PD (▶98.0), until the triangle (◀) moves off the hairline. This action occurs near 000 setting. Continue to turn fuze setter counterclockwise until desired time appears under the hairline. Maintain a very light turning force against the fuze setter while reading the setting. The sequence is shown for settings of 8.7, 25.5, 107.4.



FUZE SETTING SEQUENCE FOR M577 OR M582 FUZES

- e. To set a lower time on fuze already set, reset fuze setter and turn clockwise (numbers get smaller) to a setting at least one second lower than the required setting (for example, at least 24.5 for 25.5). Reverse direction to counterclockwise (numbers get larger) and set required time under the hairline.

5-11 FUZE SETTING - CONTINUED

5-11.4 Procedure Number 4, Fuzes, M577 Series and M582 Series - Continued

- f. To return fuze to the shipping and storage (safe) position, turn the fuze setter clockwise (numbers get smaller) until 000 is passed, and continue to turn until setter stops turning freely. This point should be past the PD setting (\blacktriangleleft 98.0) and between \blacktriangleleft 95.5 and \blacktriangleleft 93.5. Notice that the triangle has reappeared in the window. Do not apply excessive force on the fuze setter after it has stopped turning and the setting is between \blacktriangleleft 95.5 and \blacktriangleleft 93.5. Return the fuze to the reusable fuze container. The fuze is considered unserviceable after being out of the container for more than 30 days.
- g. For special preparation for M577 series fuze, perform the following procedure. Inspect the fuze setting. The fuze will be considered unserviceable if the setting is not between \blacktriangleleft 93.5 and \blacktriangleleft 95.5, the fuze shows signs of damage, or the window is blackened or sooty inside.
- h. Firing temperature limits for M577 series and M582 series M75Q fuzes are -35°F to $+145^{\circ}\text{F}$ (-37°C to $+63^{\circ}\text{C}$).

■ 5-11.5 Procedure Number 5, Fuzes M762 and M767 Series.

These fuzes can be set either by hand or remotely by a weapon equipped with auto-set fire control system, as follows:



Do not activate fuzes unless they will be fired before 15 days elapse. Once activated, these fuzes have a service life of approximately 15 days before the battery runs down. Check if LCD is active to determine if fuze is still settable.

- a. Setting by Hand.



If, after steps (a) and (b) are completed, the LCD display is blank or shows other displays than indicated, the fuze is considered unserviceable and should not be fired.

NOTE

The M762 or M767 fuze ogive will rotate only clockwise (as viewed from nose end). If a desired digit was passed, continue rotating clockwise until the desired digit appears again.

5-11 FUZE SETTING - CONTINUED

5-11.5 Procedure Number 5 Fuzes M762 and M767 Series - Continued

CAUTION

If after step (1) and (2) below are completed the Liquid Crystal Display (LCD) is blank or shows other displays than indicated, the fuze is considered unserviceable and should not be fired.

NOTE

Once activated, the M762 and M767 series fuze cannot be turned off; therefore, the fuzes have approximately 15 days service life before the battery runs down and the LCD goes blank.

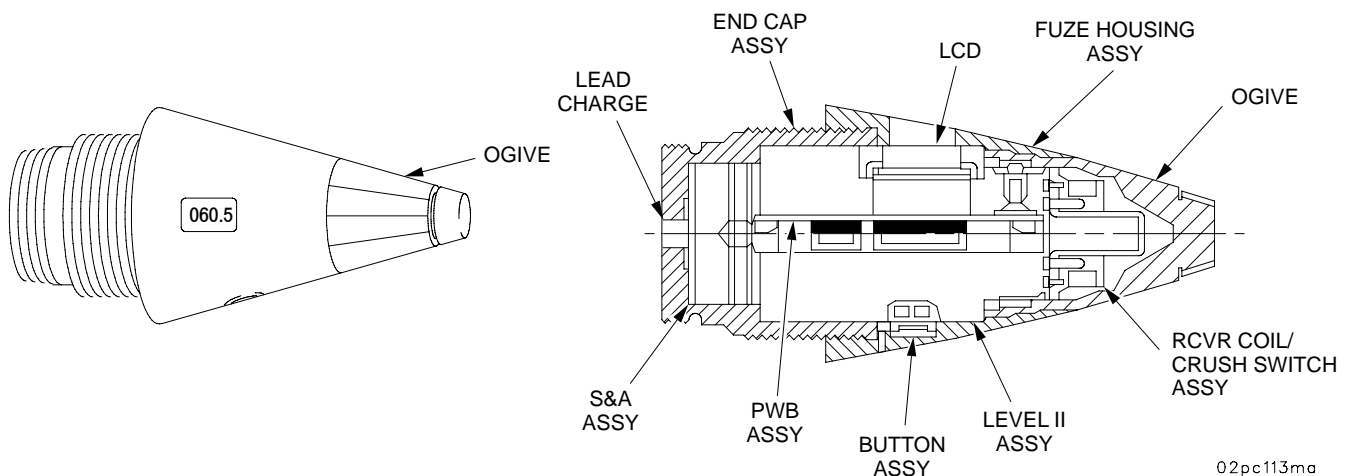
- (1) Rotate ogive clockwise at least one quarter revolution to activate the battery. The liquid crystal display (LCD) window will display ◀ 8.88 indicating that all segments are operating as a visual safety check. The ogive of the M762A1 and M767A1 can be rotated bi-directionally to provide quicker manual setting.
- (2) Depress the thumb operated cocking and selector button to clear the LCD display. The LCD window will display _ _ _ . _ , ensuring that no segments are stuck.
- (3) Depress the thumb operated cocking and selector button a second time; the LCD window will display 000.0. The cursor under the zero in the hundreds of seconds column indicates that this column is ready to be set.

NOTE

The hundreds of seconds column can display 0, 1 or ◀ (blank space for M762A1/M767A1) while the tens of seconds, seconds, and tenths of seconds columns each can display 0 thru 9.

- (4) Each column is set independently. Depress and release the selector button as required to move the cursor to the desired column. At the desired column, keep the selector button depressed and rotate the ogive to select the desired digit or ◀. Release the selector button and depress again to move cursor to the next column to continue setting.

FUZE ELECTRONIC TIME (ET), M762 SERIES



5-11 FUZE SETTING - CONTINUED

5-11.5 Procedure Number 5, Fuzes, M762 and M767 Series - Continued

- (5) For M762 and M767 PD, set the fuze to ◀98.0. Any other setting with ◀ would result in a dud.
- (6) For M762A1 and M767A1 PD, place cursor in the hundreds digit and rotate the ogive until the (underline) is selected. At this point the fuze will be set to the point detonating setting and the display will be “_Pd”.
- (7) The following are examples of fuze settings.



M762A1/M767A1

-Pd

PD

02pc072m

- (8) When fuze setting is completed and selector button is released, the ogive can be rotated without changing the fuze setting.
 - (9) The settings can be changed as many times as required for the duration of the activated life of the battery.
- b. To return the fuze to the shipping and storage configuration, reset the fuze to ◀000.0. These fuzes should be segregated and used first in subsequent firings. The return to storage configuration can only be accomplished via manual hand set.
 - c. Firing temperature limits for M762 and M767 series ET fuzes are -45°F to 145°F (-43°C to 63°C).

5-11.6 Procedure No. 6, Fuze M782.

This fuze can only be set inductively by a weapon equipped with auto-set fire control system or the Portable Inductive Artillery Fuze Setter (PIAFS) M1155 (TM 9-1290-210-12&P).

Setting by PIAFS M1155

NOTE

When the setter is first initialized it displays the Fuze Menu. Afterwards it remembers where it was last and displays the Fuze Setting Menu with the last fuze set.

- a. Setting for Point Detonating (PD) mode.
 - (1) Press the ENTER button to turn on the setter.

5-11 FUZE SETTING - CONTINUED

5-11.6 Procedure No. 6, Fuze M782 - Continued

FUZE SETTING MENU

```
→ FUZE   :    M782
   MODE   :    TIME
   TIME   :    187 sec
   SET FUZE
```

- (2) Press the right (↑) or left (↓) buttons to move the cursor (arrow (→) to the left of the items in the menu) to indicate FUZE, then press the ENTER button. The Fuze Menu appears.

FUZE MENU

```
M762      DM-52
M767      DM-74
→ M782    *MORE*
C32       *QUIT*
```

- (3) Press the right (↑) or left (↓) buttons to move the cursor arrow (→) to indicate M782, then press the ENTER button. The Fuze Setting Menu appears with the cursor pointing to the MODE line.

FUZE SETTING MENU

```
→ FUZE   :    M782
   MODE   :    TIME
   TIME   :    187 sec
   SET FUZE
```

- (4) Press the ENTER button. The Mode Menu (for the M782) appears.

MODE MENU (for the M782)

```
→ TIME
   VT
   DELAY
   PD
```

- (5) Press the right (↑) or left (↓) buttons to move the cursor (→) to indicate PD, then press the ENTER button. The Fuze Setting Menu appears with the arrow pointing to the Set Fuze line.

FUZE SETTING MENU

```
→ FUZE   :    M782
   MODE   :    PD
   SET FUZE
```

- (6) Place setter on the fuze and press the ENTER button. The setter will attempt to set the fuze. After the "WAIT" message is briefly displayed either the "FUZE SET OK" message will be displayed which means that the fuze has been set, or the "FAILED" message will be displayed. In this case try setting another fuze. If both fuzes do not accept the setting then replace the fuze setter and retry setting the fuzes.

5-11 FUZE SETTING - CONTINUED

5-11.6 Procedure No. 6, Fuze M782 - Continued

- b. Setting for Delay (DLY) mode.

The setting procedures for the Delay mode are the same as those for the Point Detonating mode, except for procedure (5). The cursor (→) is moved to indicate DELAY instead of PD.

- c. Setting for Variable Time (VT) mode.

- (1) Press the ENTER button to turn on the setter.

FUZE SETTING MENU

```
→ FUZE  :    M782
   MODE  :    TIME
   TIME  :    187 sec
   SET FUZE
```

- (2) Press the right (↑) or left (↓) buttons to move the cursor (arrow (→) to the left of the items in the menu) to indicate FUZE, then press the ENTER button. The Fuze Menu appears.

FUZE MENU

```
→ M762      DM-52
   M767      DM-74
   M782      *MORE*
   C32       *QUIT*
```

- (3) Press the right (↑) or left (↓) buttons to move the cursor arrow (→) to indicate M782, then press the ENTER button. The Fuze Setting Menu appears with the cursor pointing to the MODE line.

FUZE SETTING MENU

```
→ FUZE  :    M782
   MODE  :    TIME
   TIME  :    187 sec
   SET FUZE
```

- (4) Press the ENTER button. The Mode Menu (for the M782) appears.

MODE MENU (for the M782)

```
→ TIME
   VT
   DELAY
   PD
```

- (5) Press the right (↑) or left (↓) buttons to move the cursor (→) to indicate VT, then press the ENTER button. The Time Menu appears with a line (-) cursor under the hundreds place.

TIME MENU (for the M782)

```
1 0 0 . 0 SEC
```

5-11 FUZE SETTING - CONTINUED

5-11.6 Procedure No. 6, Fuze M782 - Continued

- (6) Press the right (↑) or left (↓) buttons to toggle between 0 and 1 for the hundreds digit, then press the ENTER button. The cursor (-) will move to the tens place.

TIME MENU (for the M782)

0 0 0 . 0 SEC

- (7) Press the right (↑) or left (↓) buttons to choose a number between 0 and 9 for the tens digit, then press the ENTER button. The cursor (-) will move to the ones place.

TIME MENU (for the M782)

0 3 0 . 0 SEC

- (8) Press the right (↑) or left (↓) buttons to choose a number between 0 and 9 for the ones digit, then press the ENTER button. The cursor (-) will move to the tenths place.

TIME MENU (for the M782)

0 3 5 . 0 SEC

- (9) Press the right (↑) or left (↓) buttons to choose a number between 0 and 9 for the tenths digit, then press the ENTER button. The Fuze Setting Menu appears with the cursor pointing to the TIME line showing the set time.

FUZE SETTING MENU

```

FUZE   :    M782
MODE   :    TIME
→ TIME :    35.2 sec
SET FUZE

```

- (10) Press the left (↓) button to move the cursor (→) to indicate SET FUZE. Place setter on the fuze and press the ENTER button. The setter will attempt to set the fuze. After the "WAIT" message is briefly displayed either the "FUZE SET OK" message will be displayed, which means that the fuze has been set, or the "FAILED" message will be displayed. In this case try setting another fuze. If both fuzes do not accept the setting, then replace the fuze setter and retry setting the fuzes.

d. Setting for Time (TIME) mode.

The setting procedures for the Time mode are the same as those for the Variable Time mode, except for procedure (5). The cursor (→) is moved to indicate TIME instead of VT.

5-11 FUZE SETTING - CONTINUED

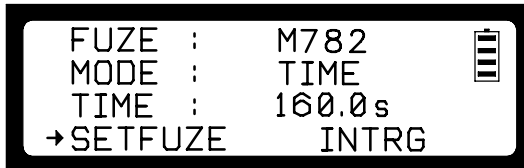
5-11.6 Procedure No. 6, Fuze M782 - Continued

Firing Temperature

Firing temperature for the M782 fuze is -45° F to +145° F (-43° C to +63° C).

5-11.7 Verification of Fuze Settings on M782, M762A1 and M767A1 through INTERROGATION.

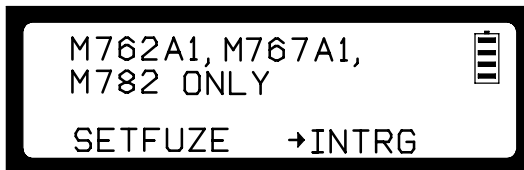
Place a PIAFS over fuze to be interrogated and select INTRG in SETFUZE menu.



```
FUZE : M782
MODE : TIME
TIME : 160.0s
->SETFUZE INTRG
```

06pc224t

A menu will display showing which fuzes can be interrogated, SETFUZE and INTRG. Press ENTER button to interrogate.



```
M762A1, M767A1,
M782 ONLY
SETFUZE ->INTRG
```

06pc225t

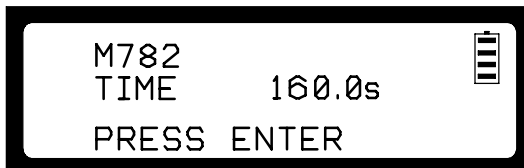
A wait window will display.



```
WAIT
```

06pc226t

This window shows that an M782 fuze was set in the TIME mode for 160.0 seconds.



```
M782
TIME 160.0s
PRESS ENTER
```

06pc227t

If a fuze other than the M782, M762A1 or M767A1 were Interrogated the FUZE window will display FAILED RESET THE FUZE.



```
FAILED
RESET THE FUZE
```

06pc228t

5-12 PROPELLING CHARGE PREPARATION.

5-12.1 Propelling Charges, M3A1 and M4A2.

WARNING

Under no circumstances will green bag and white bag charges be assembled together for firing. Critical malfunction could result.

NOTE

Use of the M2 flash reducer to reduce muzzle flash is optional, except when TB 9-1300-385-1 or TB 9-1300-385-2 restricts a specific propelling charge lot to use only with flash reducer. The M4A2 propelling charge has a flash reducer assembled in front of the base charge (increment number 3) at the time of manufacture and does not require use of the M2 flash reducer.

M4A2 white bag charges can be expected to perform within design limits at charges 5 thru 7. However, large dispersions may result when these charges are fired at charges 3 and 4. It is recommended that M3A1 green bag charges be used instead of white bag charges at charge 3 and 4. If green bag charges are not available, white bag charges may be used, although range dispersions may result.

If required, remove excess increments from charge and retighten excess straps by twisting and securing ends under straps.

5-12.2 Propelling Charge, M119A1.

The M119A1 is a one-increment, charge 8 white bag propelling charge and is shipped ready for firing. After unpacking and inspecting, the only preparation required is removal of the igniter protector cap and the pull strap.

5-12.3 Propelling Charge, M119A2.

The M119A2 is a one-increment charge 7 red bag propellant charge and is shipped ready for firing. This charge is not used in lieu of charge 7, M4 series white bag. It has almost the same muzzle velocity as the M119A1 white bag charge 8. After packing and inspection, the only preparation required is removal of the igniter protector cap and its separate tie strap.

5-12.4 Propelling Charge, M203 and M203A1.

The M203/M203A1 is a one-increment charge 8 propelling charge. After unpacking and inspection, the only preparation required is removal of the igniter protector cap.

5-12.5 Propelling Charge, M231 or M232/M232A1 (MACS).

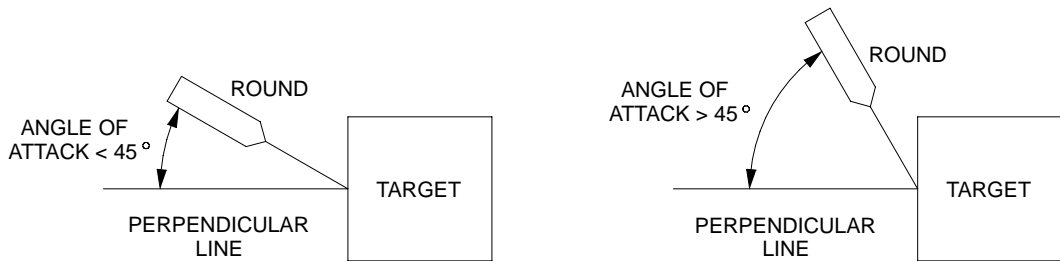
The M231 MACS is packed with four increments (two per extraction sleeve) in each metal container. The M232/M232A1 is packed with five increments per extraction sleeve in each metal container. There is no other preparation needed after unpacking and inspecting the MACS.

5-13 LOADING AND FIRING.

The chief of section must ensure that the following duties and actions are accomplished by his crew on each and every round loaded and fired from his cannon tube.

WARNING

- Observe all precautions in AR 385-63, FM 6-40 and FM 6-50, particularly limitations regarding overhead fire in training and combat.
- Do not load or fire artillery ammunition without the authorized fuze. Firing of such rounds without fuzes or with an unauthorized fuze could result in inbore prematures and other hazardous conditions.
- Do not load or fire round if the fuze is not fully seated.
- Firing the M557, M572 and M564 fuzes during heavy precipitation (heavy rainfall, sleet, snow, or hail) may result in occasional downrange premature detonation (or function). The amount of precipitation necessary to cause malfunctioning is comparable to the heavy downpour that occurs during a summer thunderstorm.
- Do not fire M110 series WP projectiles which are known to have been stored in other than the base down position. Firing of such projectiles could contribute to inbore malfunctions or close-in premature malfunctions.
- Do not fire proximity-fuzed ammunition at targets closer than 750 meters to friendly troops.
- Do not fire the M483A1, M692, M731, M718, M741, M825, M741A1, M718A1, M687, M825A1, M864, projectiles below charge 3. Firing below charge 3 may result in stickers.
- If a projectile fired with a Mk 399 MOD 1 fuze hits a substantial object a high order explosion can occur. If the object is within the 400 caliber minimum arming distance, it can cause damage to the weapon and death or serious injury to unprotected crewmembers.
- Mk399 MOD 1 fuzes set in the delay mode perform more effectively if the angle of attack (the angle between the round and the perpendicular of the target) is less than 45 degrees. Angles of attack higher than 45 degrees will result in decreased effectiveness and increase the likelihood of unexploded ordinance in the battlefield.



02pc411m

5-13 LOADING AND FIRING - CONTINUED**WARNING**

- Do not fire the M549/M549A1 projectiles if obturating band is missing or broken. Separation of the projectile and rocket motor may occur. If the band is displaced and can be repositioned and remain in the groove, the projectile can be fired.
- Do not assemble M3A1 green bag charges with M4A2 white bag charges. Critical malfunction could result.
- Do not load or fire M231 charges with M232/M232A1 charges. Critical malfunction could result. Do not load or fire more than two increments of M231 charges or less than three increments of M232/M232A1 charges.
- Firing a round with an obstruction in the cannon tube can cause inbore premature detonation.
- Do not fire the M864/M825/M825A1/M795 if the obturator band is missing or broken as rotating band failure and short rounds may result. If the band is displaced and can be repositioned and remain in the groove, the projectile can be fired.
- Do not fire an M864 projectile if the outer weather seal is damaged (torn, punctured, or peeling) to the extent that moisture can enter the base burner assembly. A loss in range (short round) may result. Return projectile to ammunition supply point (ASP).
- For M864 projectiles marked with three solid white circles 120 degrees apart located on the ogive (above the weight zone markings), observe the following warnings:
 - Do not fire the M864 if it has been dropped or if it shows evidence of denting, flattening, or gouging to the lifting plug, grommet, rotating band, or boattail area.
 - If, during handling and/or loading, the M864 base separates, call EOD personnel.
 - Do not fire the M864 if it has been delivered without the grommet.

5-13 LOADING AND FIRING - CONTINUED

WARNING

During fire mission, all unused propelling charges not needed to fire a particular round will be kept in their packing containers with lids on.

- a. Make sure round is clean and fuze is present and fully seated.
- b. Make sure there are no obstructions in the cannon tube.
- c. Check cannon firing mechanism to see that primer expended in previous firing has been removed.
- d. Remove grommet or flexible rotating band cover (M795 projectile) from projectile.

WARNING

- Never load a propelling charge into the chamber by increments. Only the fully assembled charges will be used. Critical malfunction could result.
- Dirt or grease left on the projectile rotating band could cause failure of the projectile to seat properly in the forcing cone on ramming. Firing an unseated projectile could cause inbore explosion resulting in injury or death to personnel.

NOTE

If firing the M549/M549A1 projectile, remove the rocket motor-off cap from the base of the projectile by turning in the direction of the arrow (clockwise). This projectile is authorized for rocket-on firings only.

- e. Load fuzed projectile into cannon and ram it solidly through the firing chamber into the forcing cone so it will not fall back on the propelling charge. Round must remain wedged into the forcing cone at all angles of elevation.

5-13 LOADING AND FIRING - CONTINUED

- f. Remove the igniter protective cap from propelling charge and load propelling charge into cannon chamber with igniter end (red bag) toward the breechblock assembly.

WARNING

Never close the breechblock assembly unless you can see the red igniter pad on the base of the propelling charge. Misfires, hangfires, erratic performance, or other critical malfunctions could result.

- g. Close and lock the breechblock assembly.

WARNING

Never insert primer in primer cavity unless breechblock assembly is closed and locked. Ignition of the propelling charge with breechblock assembly not fully closed presents a critical hazard to the crew.

- h. Insert primer and move firing mechanism block assembly to firing position and fire on command of the chief of section.

5-14 AFTER FIRING.

- a. Make sure breechblock assembly is in the fully open position.
- b. Wipe face of obturator spindle assembly after each round and swab the powder chamber, making sure that all burning fragments of powder charge are removed from powder chamber. Look through the cannon tube. If the cannon tube is clear, announce "BORE CLEAR".
- c. All ammunition fired must be recorded by charge number, type, and total number of each fired, and entered on DA Form 2408-4.

5-15 AMMUNITION PREPARED FOR FIRING BUT NOT FIRED.

WARNING

The projectiles and fuzes that have been rammed and then removed from the tube will not be reloaded or fired, with the exception of M712 Copperhead extracted from a cold tube. Put these aside for turn-in. See para 5-26.

- a. Using applicable fuze setter and procedure (para 5-11), reset the fuzes of the projectiles prepared for firing but not rammed. Reset time fuzes to safe; reset VT fuzes to initial setting at which they were shipped; reset superquick and delay fuzes to SQ. Replace safety wires on those fuzes so furnished. M762/M767 ET fuzes that have been activated and not fired should be reset to ◀ 88.8, and segregated, and used first in subsequent firings. When the battery runs down on an activated M762/M767 fuze, the LCD goes blank. These fuzes are unserviceable, and should be packed separately, marked unserviceable, and turned in to the ammunition supply point (ASP). To determine if an M762/M767 fuze has been activated and run down, gently attempt to turn the ogive clockwise by hand without depressing the selector button. If the ogive turns easily, the fuze has been activated; a fuze that has not been activated should resist the applied torque. Replace safety wires on those fuzes furnished with them.

NOTE

Be sure the correct type of lifting plug is used (e.g., energy-absorbing or shock attenuating lifting plugs for M549 series projectiles, yellow fusible lifting plugs for M483A1 projectiles, and standard eyebolt lifting plugs for other projectiles).

- b. Disassemble fuze from projectile and repack in original packing. When a long intrusion proximity fuze is removed from projectile, replace supplementary charge in projectile before assembling spacer and the correct type of lifting plug.
- c. Replace grommet or flexible rotating band cover (M795 projectile) over rotating band.
- d. Restore propelling charges to original condition. Make sure all zones (increments) are present, tied, in proper order, in good condition, of the proper lot number, and that igniter caps are replaced.
- e. Replace fuzes, primers, and flash reducers in original packing.
- f. Make sure the lot number of the ammunition corresponds with the lot number of the container.

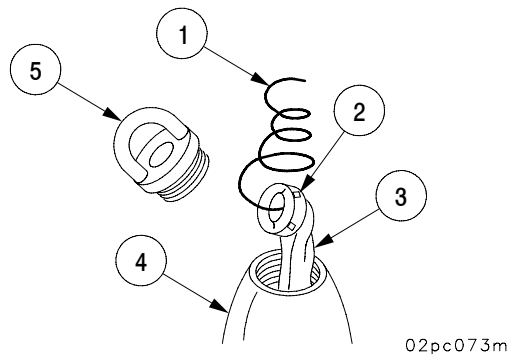
5-15 AMMUNITION PREPARED FOR FIRING BUT NOT FIRED - CONTINUED

- g. If rocket cap was removed from the M549/M549A1 HERA projectile, replace cap and tighten handtight.
- h. Return all projectiles to shaded and protected storage, regardless of weather.
- i. Special instructions for the M712 copperhead projectile are found in para 5-25.
- j. Special instructions for the M483A1 and M864 ICM projectiles are as follows:

WARNING

Use no other lifting plug except the fusible or universal plug removed from this projectile, because it is designed for safe release of pressure inside the projectile in case of a fire during storage or shipping actions.

- (1) Wind the pull-wire (1) under four tabs (2) on the cover of the expulsion charge assembly (3) (1-1/2 turns for proper engagement).
- (2) Place bagged expulsion charge assembly (3) or cylindrical plastic expulsion charge assembly (para 5-9.4) into projectile fuze well (4).
- (3) Reinstall fusible or universal lifting plug and gasket (5).



Section III. MAINTENANCE

5-16 HANDLING.

WARNING

- Keep fire and flammable materials out of the ammunition areas. There will be no smoking in the vicinity of ammunition.
 - Shield all ammunition from high temperatures (e.g., direct rays of the sun). When outside temperature is expected to reach +100°F (+38°C), failure to shade could result in damage to material and the loss of life.
- a. Do not expose ammunition and components containing explosives to extreme temperatures. Do not expose to direct sunlight, flame, or other sources of heat.
 - b. Do not expose unpacked propelling charges and fuzes to rain, excessive humidity, or ground moisture.
 - b.1 Protect the rotating band and the obturator band by keeping the grommet or flexible rotating band cover (M795 projectile) on the projectile while it is being handled and transported.
 - c. Prevent rough handling of projectiles and fuzes. Do not strike projectiles together and do not offload ammunition by dropping projectile on top of projectile.
 - d. Protect fuzes, primers, and flash reducers at all times from foreign matter and impact. A drop of 4 feet (1.20 m) may cause the electrolyte vial in a VT fuze battery to break, thus causing a dud.
 - e. Do not disassemble fuzes.

5-17 CARE.

- a. Ammunition is packed to withstand conditions ordinarily encountered in the field. Keep packing boxes from becoming broken or damaged.
- b. Since ammunition is impaired by moisture, frost, extreme temperatures, and foreign matter (mud, oil, etc.), observe the following:
 - (1) Do not break the moisture-resistant seal on the container until ammunition is to be used.
 - (2) Shield all ammunition from high temperatures (e.g., the direct rays of the sun). When covering projectiles to provide this shield, cover with tarpaulin keeping 18 in. (45.7 cm) air space over and 6 in. (15.2 cm) of air space on sides. This will ensure free air flow necessary to keep the projectiles cooler in hot weather.
 - (3) Refer to para 5-29 for information regarding maintenance of the M712 Copperhead (HEAT) projectile.

5-18 MAINTENANCE.

5-18.1 General.

WARNING

Alteration of loaded ammunition or components is prohibited. Unauthorized modification of ammunition could cause critical malfunction.

NOTE

Proper performance of ammunition maintenance procedures when ammunition is received by using units assures that ammunition on hand is kept ready for use.

- a. Inspect ammunition packaging daily. Open boxes or containers that show evidence of contamination or deterioration, and inspect ammunition. **DO NOT OPEN SEALED BOXES OR CONTAINERS UNLESS DEFECTIVE AMMUNITION IS SUSPECTED.**
- b. Duties of cannoneers in preparing M712 (Copperhead) for firing are found in section IV of this chapter, as well as care, maintenance, inspection, unpackaging, and repackaging of this projectile.
- c. Inspect unpackaged ammunition and explosive components daily.
- d. Wipe off wet or dirty ammunition at once. Remove light corrosion. Do not polish ammunition to make it look better.
- e. Consider ammunition unserviceable if it has severe rust or propellant contamination, particularly moisture. Do not use except in emergency.
- f. When repackaging ammunition, put it back in original container. If other packing material must be used, the old marking should be transferred to the new containers.
- g. Refer to para 5-19.4 for the LPRS, an optional system for securing loose, unfuzed projectiles for transportation.

5-18.2 Projectiles.

- a. Visually inspect projectiles for the following defects:
 - (1) Distorted, out of round, or damaged body.
 - (1.1) Protect the rotating band and the obturator band by keeping the grommet or flexible rotating band cover (M795 projectile) on the projectile while it is being handled and transported.
 - (2) Dirt or other foreign material.
 - (3) Seepage of explosive filler.
 - (4) Rust through projectile baseplate.
- b. Clean dirt or foreign material from projectile by wiping with a damp wiping rag (item 34, Appx D).
- c. Return defective projectiles to ASP.

5-18 MAINTENANCE - CONTINUED

5-18.2 Projectiles - Continued

- d. Inspect the M549/M549A1 projectile for the following:
 - (1) Missing or broken obturating bands. The projectile cannot be used if the obturating band is broken or missing. Return projectile to ASP.
 - (2) Broken energy-absorbing or shock attenuating lifting plugs. When the lifting plug is broken, the threaded area will remain in the projectile. Do not attempt to extract any portion of the broken plug. Return projectile to ASP.
- e. The M483A1 projectile can be used if the obturating band is missing or broken. Remove and discard broken obturating bands.
- f. Inspect the M864 projectile for the following:
 - (1) Missing or broken obturating bands. The projectile cannot be used if the obturating band is broken or missing. Return projectile to the supply point.
 - (2) Damaged (torn, punctured, or peeling) weather seal. The projectile cannot be used if the weather seal is damaged. Return projectile to the supply point.
- g. Inspect specially marked M864 projectiles (three solid white circles located on the ogive) for the following:
 - (1) Projectiles that have not been palletized. Projectiles that have been transported as loose cargo. These conditions can cause gaps or separation at the base to body joint resulting in a hazard. Return the projectile to the supply point.
 - (2) Projectiles showing denting, flattening, or gouging to the lifting plug, grommet, rotating band, or boattail area. These conditions can cause gaps or separation at the base to body joint resulting in a hazard. Return the projectile to the supply point.
- h. Inspect the M825/M825A1 projectiles for missing or broken obturators. The projectile cannot be used if the obturator is broken or missing. Return projectile to ASP.

5-18.3 Propelling Charges M3A1 and M4A2.

- a. Visually inspect propelling charges M3A1 and M4A2 for the following defects:
 - (1) Loose tie straps, allowing separation of the charge into increments.
 - (2) Missing increment, extra increment, or incorrect sequencing (order) of increments.
 - (3) Increment bags torn or damaged to the extent that black powder or propellant spills out.
 - (4) Wet propelling charge.
 - (5) Missing or damaged red igniter pad on base of charge.
- b. Charges requiring retying may be retied as follows:
 - (1) Assemble increments in correct order.
 - (2) Tie the four tie straps over top of charge.
- c. Return all defective charges to ASP.

5-18 MAINTENANCE - CONTINUED

5-18.4 Propelling Charges M119, M119A1, M119A2, M203, M203A1, M231 and M232/M232A1.

- a. Visually inspect propelling charges M119, M119A1, M119A2, M203, M203A1, M231, and M232/M232A1 for the following defects:

NOTE

Flash reducer is sewn into sides of charge bag on M119A2 charge.

- (1) Missing flash reducer.
 - (2) Charge bag ripped or damaged or combustible cases broken to the extent that propellant can escape.
 - (3) Black powder leaking from base igniter pad.
 - (4) Base igniter pad not centered with respect to outer diameter of charge, both ends for the M231 and M232/M232A1 charges.
 - (5) Evidence of broken or damaged central igniter tube or case core tube (M119, M119A1, M203, M231, and M232/M232A1 only).
 - (6) Combustible case for M231 and M232/M232A1 charges with cut or puncture through case well.
 - (7) Combustible case for M231 and M232/M232A1 charges with uneven cap (crooked, tilted, or slanted).
 - (8) Combustible case for M231 and M232/M232A1 charges that cannot be replaced into its extraction sleeve due to exterior damage.
 - (9) Tie straps not tight over forward end of charge.
 - (10) Lacing jacket not secure on charge (M119A1 and M203 only).
 - (11) Cord missing or broken on lacing jacket (M119A1 and M203 only).
 - (12) M203/M203A1 charges with crushed or distorted cases or with missing or broken propellant. These are not to be fired.
- b. If tie straps are loose, retighten the straps at the forward end of the charge.
- c. Return all defective charges to ASP.

5-18.5 Fuzes.

- a. Inspect fuzes for the following defects:
- (1) Damage to body or threads.
 - (2) Loose components.
- b. Return defective fuzes to ASP.

5-18.6 Ammunition or Components of Ammunition Prepared for Firing, but not Rammed.

- a. Return such ammunition to the original condition and packing. Mark appropriately, and use first in subsequent firings to keep stocks of open packings to a minimum.
- b. Reassemble the supplementary charge and the correct type of lifting plug (with gasket and spacer) to the projectile to restore to its original condition. Return fuzes to original condition. Return fuzes to original packing. In reassembling the components, make certain the supplementary charge is properly inserted (felt pad end innermost).
- c. Remove the projectile spotting charge from the M577 series fuze or M62 fuze and replace the expulsion charge assembly and fusible or universal lifting plug with gasket to the M483A1 or M864 projectiles. Replace rocket cap on M549 and M549A1 projectiles.

5-18 MAINTENANCE - CONTINUED

5-18.6 Ammunition or Components of Ammunition Prepared for Firing, but not Rammed - Continued

- d. Reassemble propelling charges prepared for firing but not used. Replace in original containers as follows:
- (1) If increment was removed, reinstall and retie.
 - (2) Replace igniter protective cap.
 - (3) Replace charge in container (igniter end first). Close and secure container.
 - (4) Mark container appropriately and use charge first in subsequent firings.

5-18.7 Unserviceable Ammunition.

- a. Conspicuously mark unserviceable ammunition or explosive components UNSERVICEABLE, and return to ammunition supply personnel for disposition.
- b. Repackage ammunition components in original containers. If original container is unsuitable, use available package material and transfer all markings. All layers of packing must be conspicuously marked UNSERVICEABLE.

5-18.8 Excess Explosive Components.

WARNING

Put excess powder increments back in powder cans and properly close and lock lid. Severe burns to personnel may result from accidental ignition of excess powder increments.

- a. Pack supplementary charges removed from projectiles prior to assembling long intrusion proximity fuzes in containers from which these proximity fuzes were removed.
- b. Properly mark containers and return to ASP for disposition.
- c. Destroy any unused powder increments or expelling charges left over after round has been fired by performing the following steps:

NOTE

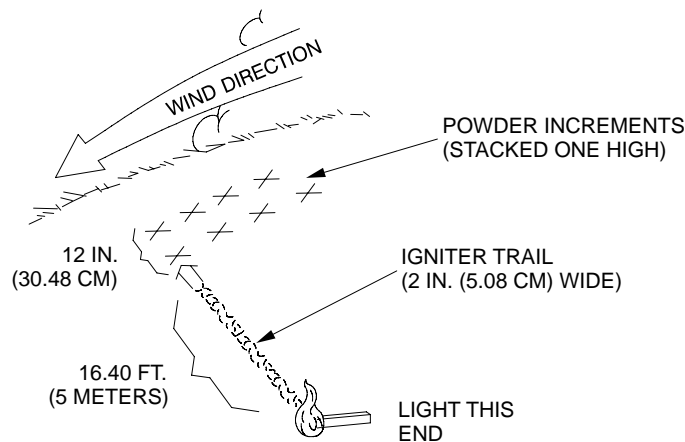
Notify Range Control prior to burning powder.

- (1) Locate proper burning area. Area should be 164 ft (50 m) from any combustible material.
- (2) Ensure proper firefighting equipment and personnel are present.
- (3) Lay out powder increments parallel to wind direction in 12 in. (30.48 cm) wide column.
- (4) Lay out an igniter trail at the downwind end of the line of increments by opening one powder bag and making a trail of powder at 90 degrees to the powder increments. The igniter trail should be approximately 16.40 ft (5 m) long and 2 in. (5.08 cm) wide. See diagram.

5-18 MAINTENANCE - CONTINUED

5-18.8 Excess Explosive Components - Continued

- (5) Light the end of the igniter trail, then move away from the powder increments.
- (6) During high winds over 25 knots, no more than 10 powder increments can be burned at a time.
- (7) While powder is burning, be alert for sparks or burning fragments caught by the wind.
- (8) When powder is through burning, be sure all flames are extinguished and no smouldering ashes remain. **BE SURE ASHES ARE COMPLETELY BURNED.**



02pc076m

5-18.9 Destroying MACS Charge Increments.

- a. Locate proper burning area. Area should be 164 feet (50 meters) from any combustible material.
- b. Ensure proper firefighting equipment and personnel are present.
- c. Prepare MACS propelling charge increments for field destruction:
 - (1) Peel off both red end seals, exposing end igniter bags.
 - (2) Remove end igniter bags from charge increment (locate ribbon tying bags together and cut, taking care not to cut into bags).
 - (3) Use one charge increment to make igniter trail. If one increment is cracked, break it open and use propellant to make igniter trail.
 - (4) If no charge increments are cracked, roll one charge increment on the ground exerting a downward pressure on the joint of the case base and case body to break the joint. The exposed propellant can be poured out and used to make the igniter trail.
- d. Lay out MACS propelling charge increments parallel to wind direction in 12 inch (30.48 centimeter) wide column (columns of two increments) and lay the removed end igniter bag and combustible case components among the increments.
- e. Lay out an igniter trail at the downwind end of the line of increments by either breaking open one increment or by using a cracked or broken increment and making a trail of propellant at 90 degrees to the increments. The igniter trail should be approximately 16.40 feet (5 meters) long and 2 inches (5.08 centimeters) wide. See diagram.
- f. Light the end of the igniter trail, then move away from the MACS propelling charge increments.
- g. While increments are burning, be alert for sparks or burning fragments caught by the wind.

- h. When increments are through burning, be sure all flames are extinguished and no smoldering ashes remain. BE SURE ASHES ARE COMPLETELY BURNED.

5-19 STORAGE.

WARNING

Ammunition exposed directly to sunlight, or in unventilated containers, enclosures, shelters, freight cars, closed vehicles, and similar structures exposed to direct sunlight may reach temperatures exceeding upper storage limits. Avoid exposure of ammunition components to direct sunlight. Do not store ammunition assembled with tetrytol-loaded bursters (i.e., projectiles, 155mm: smoke, WP, M110; gas H, and HD, persistent M110) at temperatures exceeding +125°F (+52°C).

5-19.1 Temperature Limits.

- a. Except as otherwise specified, observe the following limits:
 - (1) Lower limit is -80°F (-62°C) for a period of not more than 3 days.
 - (2) Upper limit is +160°F (+71°C) for a period of not more than 4 hours per day.

5-19.1 Temperature Limits - Continued

- b. Store or transport M110 projectiles containing WP at a temperature below the melting point (+111.4°F (+44°C)) of the WP filler. If this is not practicable, store or transport such projectiles on their bases so that, should the WP filler melt, it will resolidify with the void in the nose of the projectile. This restriction does not apply to the M825/M825A1 WP projectile.
- c. Protect proximity fuzes and proximity rounds from long exposure to high humidity. Store M728 and M732 fuzes in temperatures between -65°F to +145°F (-54°C to +63°C) and 0°F to 120°F (-18°C to +49°C) for the M514 series.

5-19.2 Sites.

WARNING

Do not store ammunition under trees or near tall buildings that attract lightning. When ammunition must be stored in the open, select a storage site free of power lines, electric cables, and flammable materials. Sites should not be adjacent to reservoirs, water mains, etc. Do not store ammunition near a large concentration of personnel.

Store ammunition in the firing area so that it is protected against accidental explosions. Sites should be level and well drained.

5-19 STORAGE - CONTINUED

5-19.3 Provisions.

- a. Use heavy, well-supported dunnage to keep bottom tier of stacks off the ground and to prevent it from sinking into the ground.

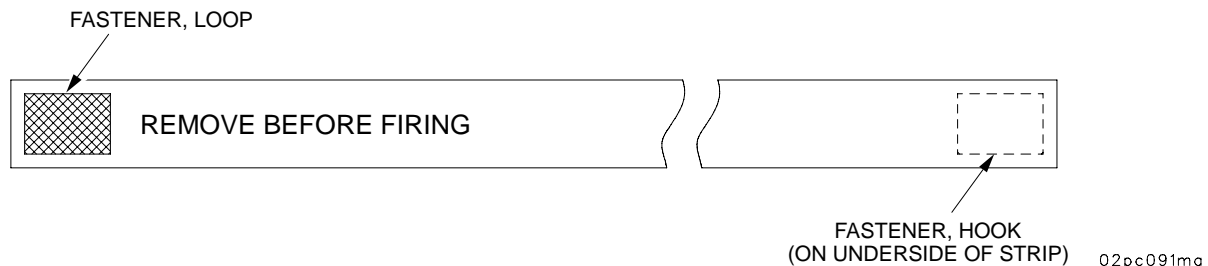
NOTE

A hardstand of blacktop or gravel and sand is preferable to excessive use of dunnage.

- b. Allow at least 6 inches (15.24 cm) of space beneath the pile for air circulation. Dig trenches to prevent water from flowing under pile.
- c. Provide nonflammable covers (e.g., tarpaulin) for all ammunition. Maintain air space of approximately 18 inches (45.72 cm) between cover and ammunition. Keep cover at least 6 inches (15.24 cm) from pile on ends and sides to permit circulation of air.
- d. Store WP M110 projectile nose up. This restriction does not apply to the new M825/M825A1 WP projectile.
- e. Store ammunition and primer containers with top side up. Labels or marking on boxes and containers indicate which side should be up.

5-19.3.1 Flexible Rotating Band Cover (FRBC)

- a. General. The FRBC, as well as the grommet, is used to protect the rotating band of artillery projectiles from corrosion, dirt, and damage during transportation, handling, and storage. The FRBC can be discarded or replaced in the event of NBC contamination. The FRBC consists of a cloth band with hook and loop attachable ends. Once the FRBC is wrapped around the projectile rotating band, it has to be pulled on the two ends until it is tight against the rotating band. The FRBC is then closed by pressing the loop end against the hook end of the fastener and the word "REMOVABLE BEFORE FIRING" visible in the upright position.
- b. Replacement. The FRBC should be replaced if any of the following occurs:
 - (1) The FRBC doesn't stay firmly on with sufficient resistance to opening.
 - (2) The FRBC exhibits cuts that expose the rotating band.
 - (3) The FRBC marking is unreadable due to age and wear.



5-19.3.2 Field Artillery Projectile Pallet (FAPP)

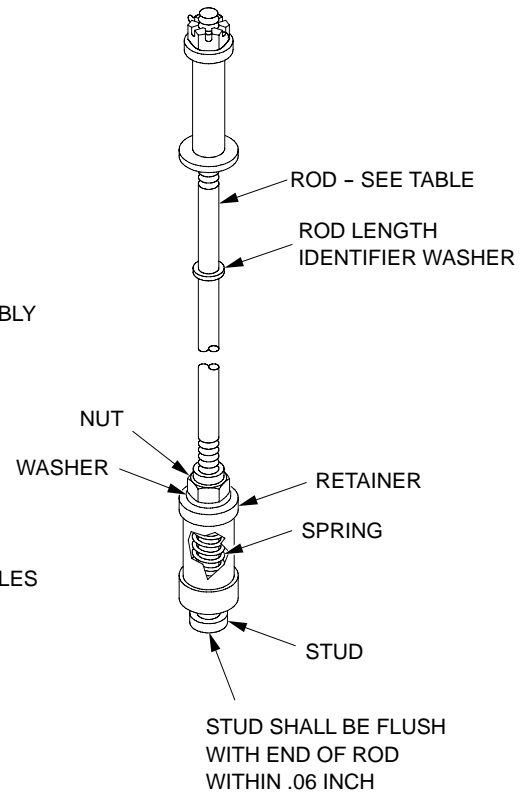
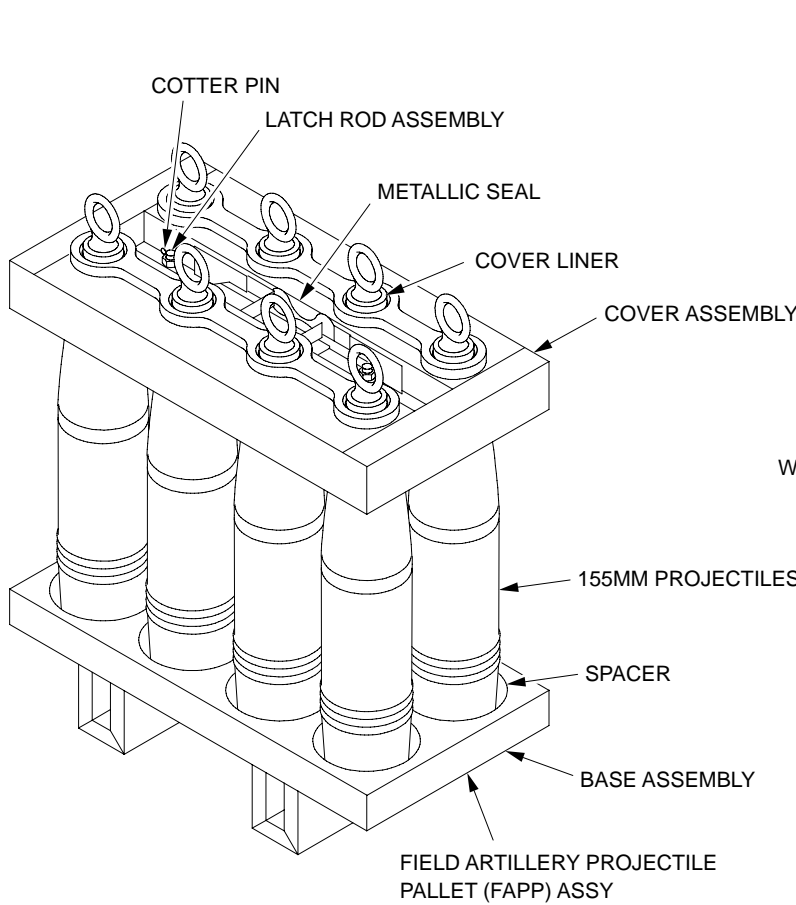
- a. General. The FAPP is a NBC decontaminable, non-flammable, reusable metal pallet. It allows for easy repalletization in the field with no special tools required. The FAPP consists of a steel pallet base, steel pallet cover and two adjustable rods that hold the cover to the base. The two adjustable rods hold securely the FAPP without any banding needed. There are plastic spacers under the base of the projectile and on top of the lifting plug to prevent abrasion. The FAPP holds up to eight 155MM projectiles with a minimum of two projectiles and it accommodates both the plastic grommet and the flexible rotating band cover (FRBC) for rotating band protection. Before loading the FAPP with projectiles, the latch rods must be assembled to the pallet base. The center of the pallet is loaded first to avoid tipping over. Once the FAPP is loaded, the pallet cover with the handles in open position is placed over the projectiles. The pallet cover is then closed by pushing handles down into the lock position.

5-19 STORAGE - CONTINUED

5-19.3.2 Field Artillery Projectile Pallet (FAPP) - Continued

- b. Instructions. Complete instructions for assembling loading, and unloading the FAPP are found in TM 9-1300-251-20&P, UNIT MAINTENANCE, ARTILLERY AMMUNITION FOR GUNS, HOWITZERS, MORTARS, RECOILLESS RIFLES, AND 40-MM GRENADE LAUNCHERS, and TM 9-1300-251-34&P, DIRECT SUPPORT AND GENERAL SUPPORT MAINTENANCE MANUAL, ARTILLERY AMMUNITION FOR GUNS, HOWITZERS, MORTARS, RECOILLESS RIFLES AND 40MM GRENADE LAUNCHERS.

PROJECTILE	ROD LENGTH	BASE SPACERS
M107, M110 SERIES, M448 SERIES, M485A1, M804 SERIES	24.5 INCH	5.5 INCH WIDE - GREEN
M795	30 INCH	5.9 INCH WIDE - BLACK
M549 SERIES	31.5 INCH	5.5 INCH WIDE - GREEN
M483A1, M692, M718, M731, M741, M864, M898	32 INCH	5.9 INCH WIDE - BLACK



02pc107ma

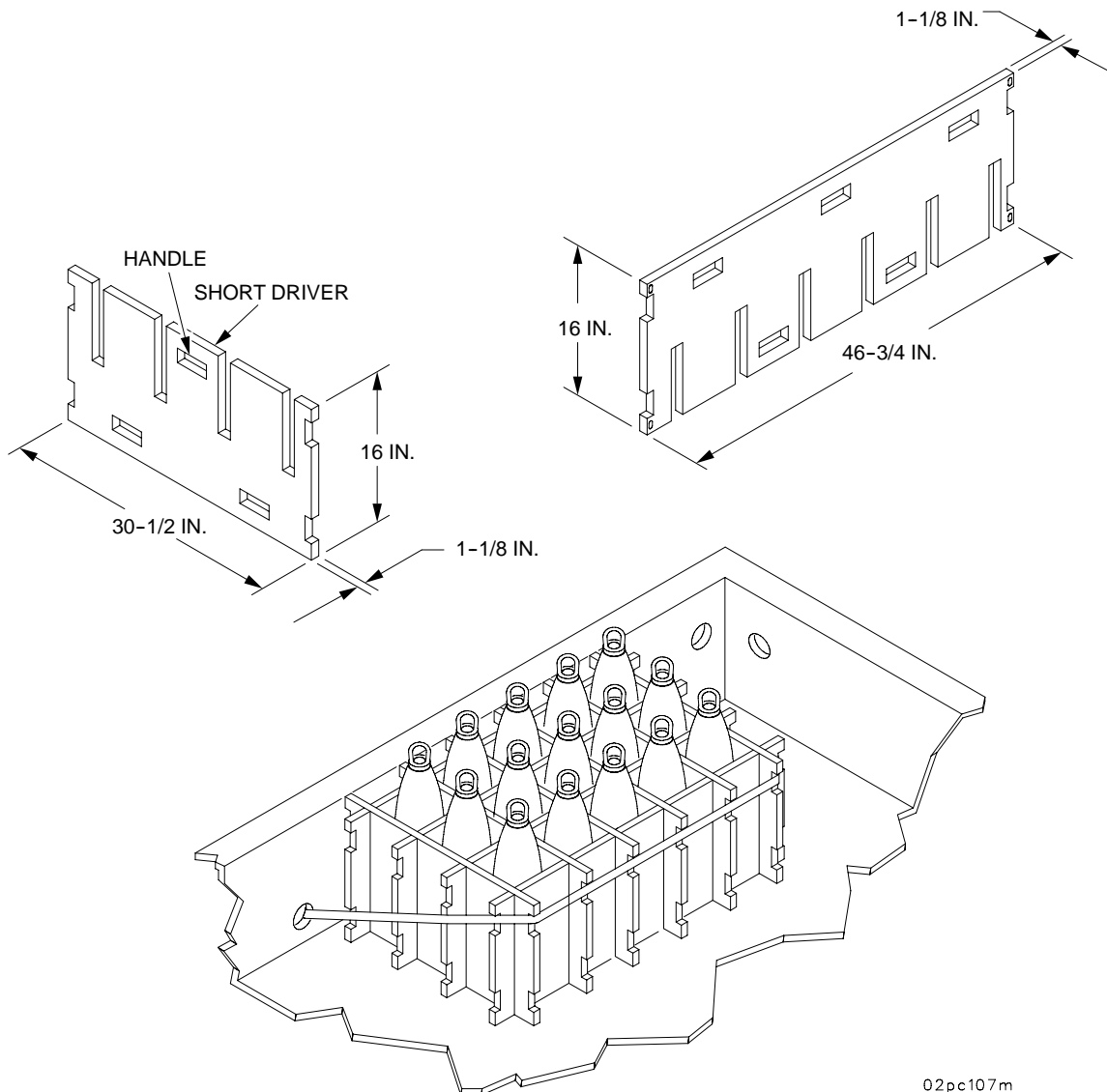
5-19 STORAGE - CONTINUED

5-19.4 Loose Projectile Restraint System (LPRS).

5-19.4.1 General. The LPRS is a divider rack that provides a fast, simple method of securing "loose" unfuzed projectiles for transportation with field artillery companion vehicles. The rack restrains projectiles from excessive movement and from contact with other projectiles. The rack is easily assembled, using a quantity of short and/or long plastic dividers that fit together. Projectiles are placed vertically in the rack, with the base of each projectile resting on the floor of the vehicle. The assembly is then secured to the sidewall of the vehicle by means of cargo tiedown straps. After use, the rack may be disassembled and stored for reuse.

5-19.4.2 Use of LPRS. Use of the LPRS is optional, and the components are listed in Appendix D, Expendable Supplies and Materials List.

5-19.4.3 Instructions. Complete instructions for use of the LPRS are found in TM 9-2590-210-10, Loose Projectile Restraint System (LPRS) for Use with Field Artillery Companion Vehicles.



02pc107m

**Section IV. CANNON-LAUNCHED GUIDED M712 PROJECTILE, HEAT (COPPERHEAD)
AND M823 PROJECTILE (TRAINING)**

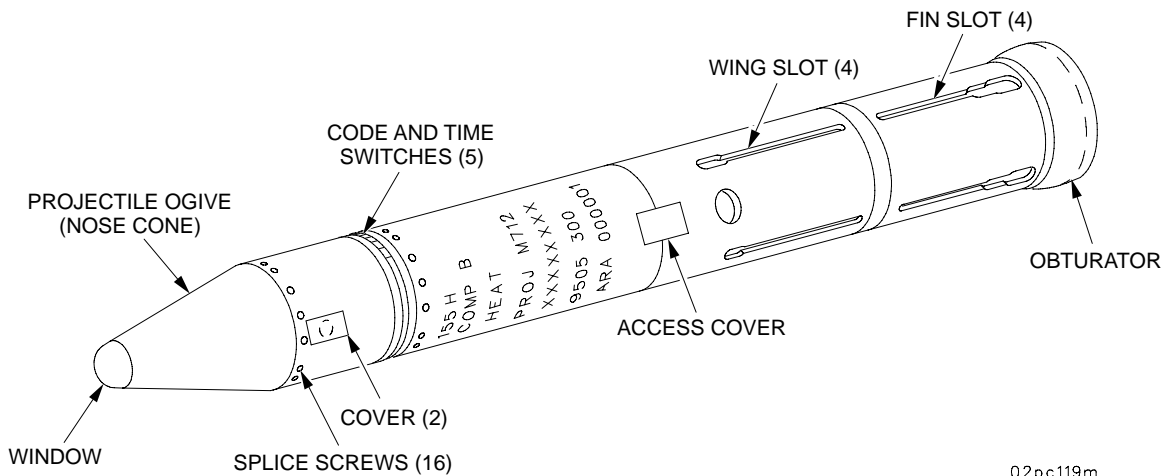
5-20 DESCRIPTION.

Cannon-launched, guided M712 projectile is a terminally guided system launched from the M109A6 howitzer into a ballistic trajectory. During flight, the target is illuminated by a laser beam from a laser designator. An onboard computer continuously refines the terminal trajectory and provides guidance to the control surfaces, causing the round to home in on stationary or moving hard-point targets. The M712 projectile is fired in the same manner as conventional projectiles.

WARNING

The M823 training projectile must not be fired. Such firing could be a hazard to personnel forward of the weapon.

The training round for the M712 projectile is the M823 projectile. The M823 training projectile is designed to train 155MM howitzer weapon crews in the handling and setting of the M712 projectile. It simulates the M712 in weight, center of gravity, and external appearance. It contains code and time switches which are set to simulate prefiring activity by the crew; however, it does not have the wings or fins. It is shipped and stored in the same type of container as the M712 and is color coded bronze for easy identification. The containers for both the M712 and M823 projectiles are forest green. Marking for the M712 is yellow; the M823 is white. Bronze patches at container ends also identify the M823 projectile inside.



02pc119m

5-21 UNPACKAGING AND INSPECTION.

WARNING

If exuded composition B is observed on the projectile or in the container during the unpackaging and inspection operations, move the projectile to a safe area and notify EOD for disposal.

NOTE

Unless the unpackaged projectile is to be fired immediately, it must be protected from the elements (by means of protective bag). Do not let an unpackaged M712 projectile sit out unprotected.

5-21.1 Unpackaging.

A humidity indicator is located in aft end of the container. This indicator is the pie-sector type. The M823 training round has an indicator card that resembles the card for the M712, but says "DUMMY CARD" on its face. These procedures apply only to the M712 projectile.

CAUTION

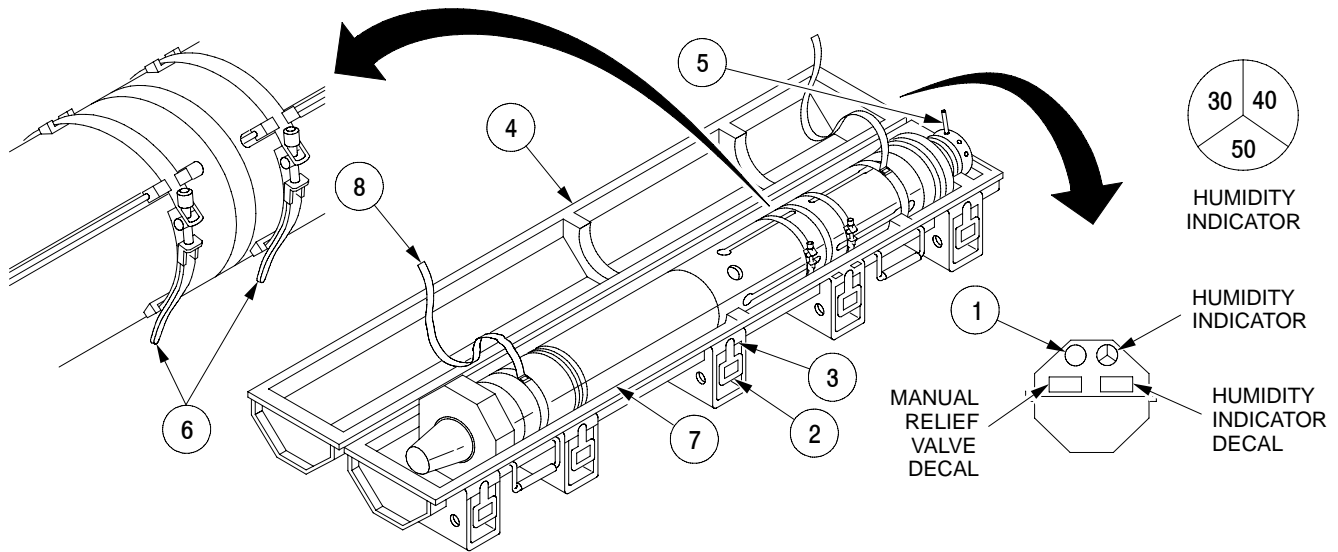
Before removing the round from container, make a quick visual inspection of the projectile for obvious damage or other condition that would prevent use. If projectile appears not usable, replace lid and return to battalion maintenance.

Open only those containers whose humidity indicator card shows under 40 percent relative humidity (40 percent spot must be colored blue, 30 percent spot may be blue or pink), and only when a fire mission is planned or anticipated. If the 40 percent humidity spot is pink, turn complete item in to battalion ammunition section. Keep all packaging materials in the container. A protective bag is provided inside each container. When mission requirements dictate a need, the M712 projectile may be removed from the shipping and storage container and placed in the protective bag. The protective bag will protect the round against direct effects of water, sunlight, dirt, and debris. However, it will not protect the round from the elements for more than 30 days at a time. Repackage unfired projectiles within 30 days and turn in to battalion ammunition section. The howitzer may be driven with two M712 projectiles in protective bags stowed in the crew compartment on the right side sponson (para 5-27). All other M712s to be moved must be repackaged in their containers and transported in ammunition carrier vehicles. Unpackage the M712 projectile from its container as follows:

5-21 UNPACKAGING AND INSPECTION - CONTINUED

5-21.1 Unpackaging - Continued

- a. Break metallic seal wire (if still present) located on center latch assembly, using screwdriver or equivalent tool. (One wire on center latch assembly of each side of the container).
- b. Depress manual relief valve (1).
- c. Release all ten latches (2). Start at one end and open corresponding left and right side latches. Pull latch all the way up to release T-bolts (3). Then push latch with T-bolts all the way down.
- d. Separate cover (4) from container body and place upside down on ground, alongside the body.
- e. Partially pull torquing rod (5) from rear end of tension mechanism.
- f. Use rod to release the tension by turning counterclockwise, then spin tension mechanism by hand until it stops.



02pc125m

CAUTION

Do not let the projectile touch the ground or lay in water. Water, dirt, or other materials entering projectile through wing/fin slots may cause projectile to fail during flight. Do not touch or grasp ogive when handling and loading projectile.

- g. Open stainless steel fin and wing preload bands (6). (Omit this step if projectile (7) is to be stored inside the howitzer). Remove and place in container cover.
- h. Carefully remove projectile (7) from container by lifting it up and to the rear using lifting straps (8) provided on the projectile.
- i. Place the projectile on a clean surface free of dirt or water. Projectile may be placed on a tarpaulin or may be put down across the top of the open container. The projectile should be shielded from direct sunlight, rain, dirt, and other debris.
- j. Remove lifting straps (8) and place them in the container.

5-21 UNPACKAGING AND INSPECTION - CONTINUED

5-21.1 Unpackaging - Continued

- k. Spin tension mechanism several turns clockwise by hand to avoid interference of torquing rod with cover when container is closed.
- l. Replace cover on container body.
- m. Starting on the end opposite the humidity indicator, straddle container, place T-bolts in cover recesses and close corresponding left and right side latches at the same time, in pairs, until all ten latches are closed.
- n. Keep the container and all packing materials for reuse or return complete container to battalion ammunition section. Covers and bodies of containers form a set. Do not separate or mix covers and bodies.

5-21.2 Inspection (M712 projectile).

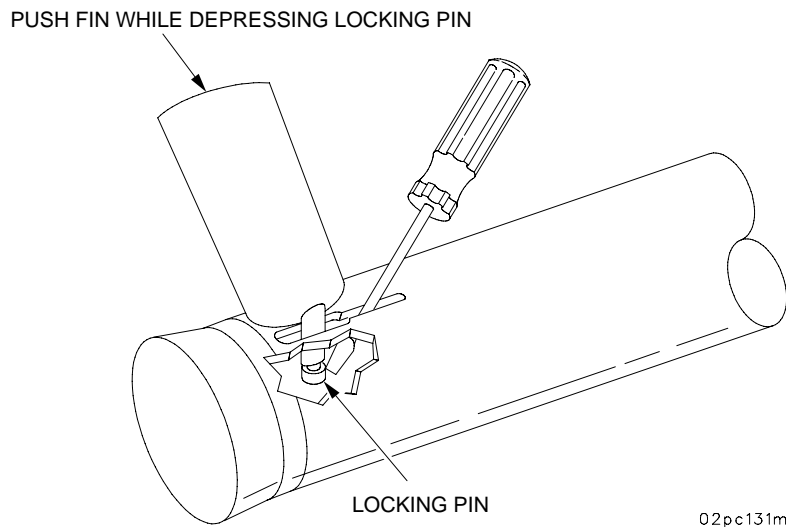
Perform the following inspections immediately after the projectile is unpackaged from its container. If a projectile is found to be unserviceable as a result of damage or other defects as described below, repackage the projectile in its original container and return to battalion ammunition section. Attach a tag describing the defects.

- a. Inspect the window area of the nose cone to make sure that it is clean and that there are no cracks, fogging, indication of moisture on the inside of the window, or other damage. Clean a dirty window using lens paper (item 34, Appx D) or tissue. Reject a projectile as unserviceable for any of the following reasons:
 - (1) Window cannot be properly cleaned.
 - (2) Window shows signs of fogging or has moisture on the inside.
 - (3) Window is cracked, broken, or badly gouged.
- b. Inspect code and time switches for dirt. Numbers and index marks must be legible. Remove dirt using lens paper (item 34, Appx D). Reject a projectile as unserviceable for any of the following reasons:
 - (1) Missing or broken switch dials.
 - (2) Switch dials cannot be properly cleaned to make numbers and index marks legible.
 - (3) Switches cannot be rotated freely when the firing codes are being set into the projectile. Turn switches, using a screwdriver or the tang end of the M18 fuze setter wrench, to check that switches turn. A click should occur at each number.
- c. Reject a projectile as unserviceable if the obturator has a crack or large gouge.
- d. Inspect wing and fin slots to make sure there is no dirt, debris, or other foreign matter in the slots. If debris is found, attempt to clean out the slots. Reject as unserviceable if foreign material cannot be removed.

5-21 UNPACKAGING AND INSPECTION - CONTINUED

5-21.2 Inspection (M712 projectile) - Continued

- e. Inspect fins to make sure that they are not in extended position. If they are, perform either (1) or (2) below to relatch fins. Reject projectile as unserviceable if fins cannot be relatched.
 - (1) If fin is only part way out, gently push fin back into its slot until it locks in place.
 - (2) If fin is locked in extended position, insert a small screwdriver, knife blade, or similar tool into fin slot as shown below. Depress locking pin with the tool and push fin forward at the same time to lock fin in retracted position.



- f. Inspect the overall projectile to make sure that there is no caked-on dirt, excessive corrosion, loose or missing items such as screws or access covers, or other damage. Remove dirt, minor corrosion, and foreign matter using lens paper (item 34, Appx D) or tissue. Inspect for loose or missing screws (see illustration in para 5-20). If any splice screw or access cover screw is loose, attempt to make finger tight by turning. Reject a projectile as unserviceable if there is excessive corrosion or screw missing on access cover. Minor corrosion, minor gouges, burrs on metal projectile body, and/or missing splice screw(s) are acceptable. Screws slightly above flush are acceptable after tightening.

5-21.3 Inspection (M823 projectile).

Since the M823 projectile will be reused many times, it will be rejected only for the following reasons:

- a. Nose cone is cracked or broken.
- b. One or more switches cannot be rotated or will not stay set to a number.
- c. Severe damage to projectile body which could prevent it from being rammed or extracted, and cause damage to the interior of the tube.
- d. Badly damaged or worn obturator which results in fallback.
- e. Damaged base which prevents proper extraction.

5-22 PREPARATION FOR FIRING.**WARNING**

- Forcing cone in the tube must be free of oil and grease before ramming. Oil or grease may permit projectile fallback.
- After extracting an M712 projectile from a hot tube, clean the forcing cone of melted plastic. Failure to do so may result in projectile fallback. Cleaning may be accomplished by firing another type projectile, if mission requirements permit, or firing a propelling charge alone.

NOTE

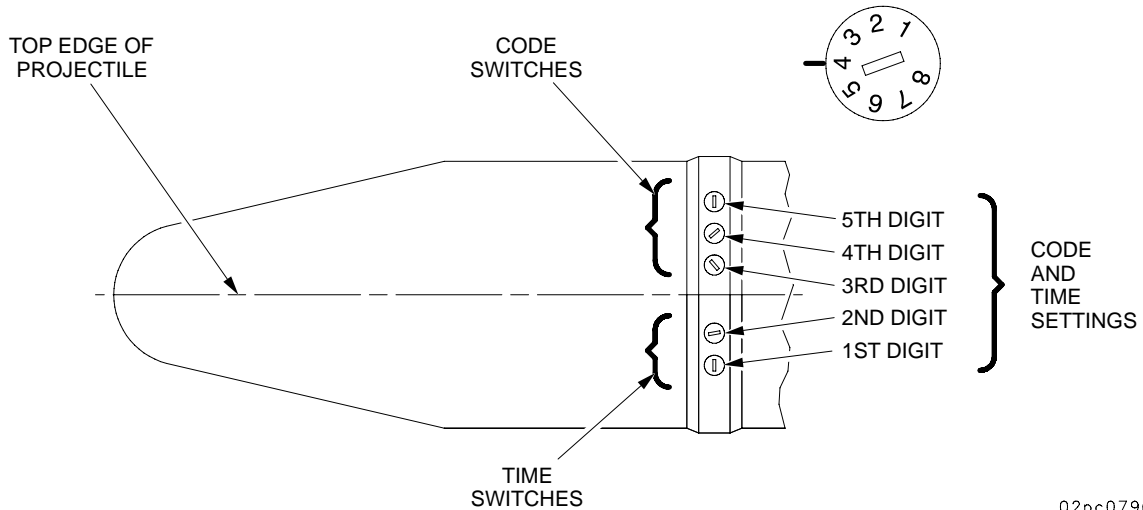
For training purposes, the M823 training projectile will be used instead of the M712 projectile. All operational procedures which apply to the M712 also apply to the M823 projectile. However, no live propelling charges are to be used with the M823 training projectile.

- a. Unpackage and inspect M712 projectile or M823 projectile (para 5-21.1).
- b. Makes sure that the extractor is set up and ready for use as described in para 5-24.2.
- c. After unpackaging the projectile, cannoneer will set the code and time switches using a screwdriver or the tang end of the M18 fuze-setter wrench. The fire direction center will announce this setting in the fire command in the same place as they usually send "time" for time or VT fuzes. This switch setting will always have five numbers. Switches will be set from left to right as seen when facing the nose of the projectile from the base of the round. Switches are circular dials that can be rotated clockwise or counterclockwise as many times as required without damaging the switches. The appropriate number on the switch must be aligned with the scribe line.

5-22 PREPARATION FOR FIRING - CONTINUED

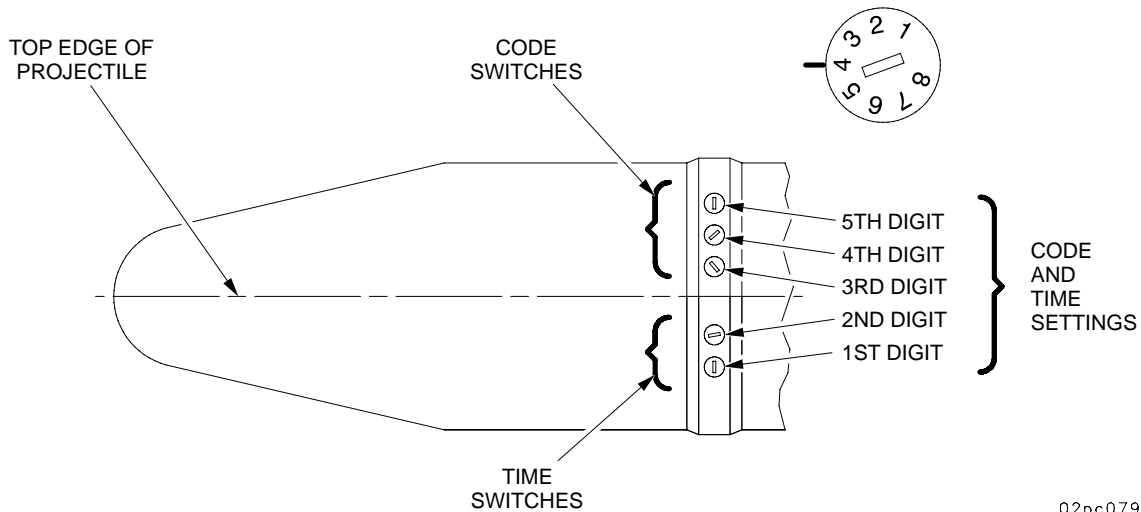
NOTE

- Be sure to set switches in correct sequence. Always set first switch on left (looking from base of projectile toward nose) first, then the next switch to the right, etc., until all five switches have been set.
 - A noticeable click should occur at each number on the switch. This click may be heard and/or felt.
- (1) Rotate switch at least one complete turn, either clockwise or counterclockwise.
 - (2) Continue turning switch past correct number and toward the next adjacent number (but stop before reaching next number).
 - (3) Turn switch back the other way and set on correct number. Be sure that number on switch is centered on scribe line.



02pc079m

5-22 PREPARATION FOR FIRING - CONTINUED



02pc079m

- d. Set the elevation of the tube to approximately 300 mils. Place loading tray in loading position.
- e. Pass the projectile through the rear of the howitzer.
- f. Place the projectile on the loading tray with the nose cone window approximately 3 in. (7.62 cm) from the breech ring. Support the rear end of the projectile at all times until it is loaded into the tube. Recheck the nose cone window and obturator for cleanliness. If necessary, they are wiped clean using lens paper (item 34, Appx D) or tissue.
- g. Rotate the projectile until code and time switches are up and then push projectile forward until switches are directly under overhead light (approximately 10 in. (25.40 cm) from breech ring).
- h. Visually recheck code and time switches. If numbers are not centered on scribe lines or correct numbers have not been set, set them now, following procedures in step c. Verify that the steel fin and wing retainer clamps have been removed. If the clamps have not been removed, remove before ramming the round.
- i. The projectile is now ready to load for firing. Loading, ramming, and firing the M712 projectile is the same as for all other ammunition in this manual.

5-23 MISFIRE AND CHECKFIRE PROCEDURES.

The precautions and actions associated with misfire and checkfire are the same for the M712 projectile as for other projectiles in this manual. Refer to para 2-19.

5-24 OPERATION OF EXTRACTOR ASSEMBLY.

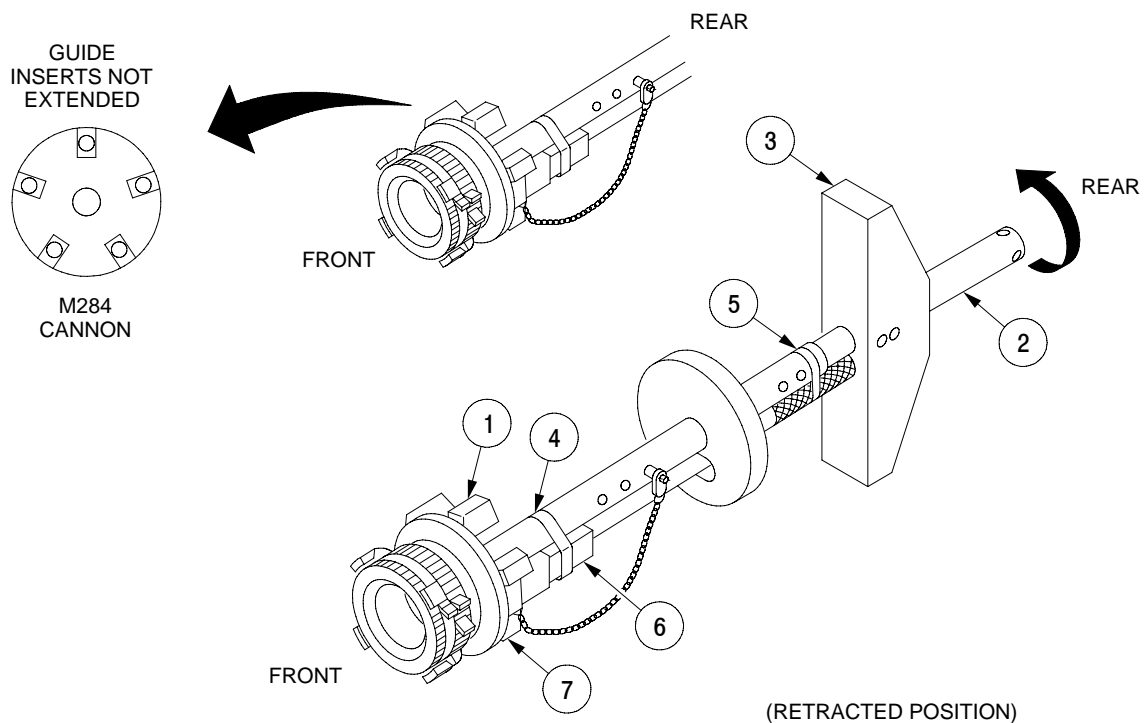
5-24.1 General.

The extractor assembly is used to remove the M712 and M823 projectile from the weapon breech. The following procedures include setting up the extractor in preparation for use, and the breakdown procedures for stowage by cannoneer.

5-24 OPERATION OF EXTRACTOR ASSEMBLY - CONTINUED

5-24.2 Setup For Use.

- a. Get extractor assembly from stowage brackets on right wall of the crew compartment.
- b. Inspect to make sure that the five guide inserts (1) on the extractor assembly are not extended.
- c. While standing at the rear, loosen drive nut (2) (clockwise) to farthest white marks (forward mark).
- d. Move brace (3) back.
- e. Loosen two straps (4 and 5).
- f. Remove ratchet (6).
- g. Disengage locking pin (7).

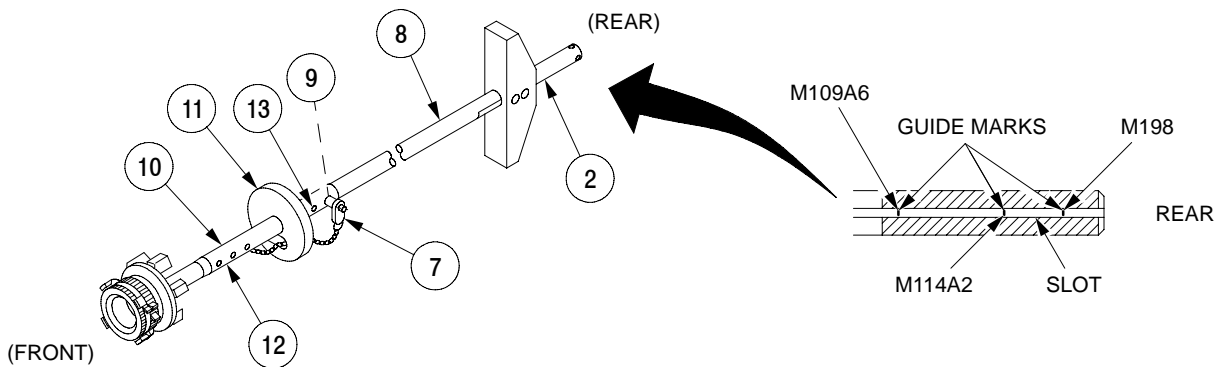


02pc090m

5-24 OPERATION OF EXTRACTOR ASSEMBLY - CONTINUED

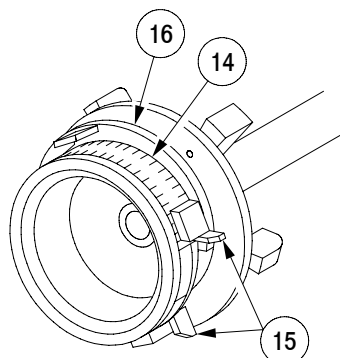
5-24.2 Setup For Use - Continued

- h. Extend telescoping shafts until hole in solid shaft (8) aligns with the nearest hole (9) in the hollow shaft (10).
- i. Move alignment support (11) forward midway between locking pin chain screw (12) and the two holes (9 and 13) at end of the hollow shaft (10).
- j. Guide the locking pin (7) through the slot in alignment support (11).
- k. Insert locking pin (7) completely through both shafts (8 and 10) into hole (9).
- l. Turn drive nut (2) counterclockwise until forward end of drive nut aligns with guide mark (white) on solid shaft (8) of extractor. Use rear mark (M198) for the M109A6 howitzer.



- m. Cock extractor as follows:

- (1) Compress expansion ring (14) by squeezing tabs (15) together.
- (2) Align cutout in retaining ring (16) with tabs (15) on expansion ring (14) and slide retaining ring (16) forward over expansion ring (14).



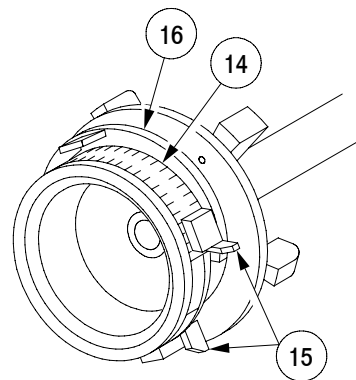
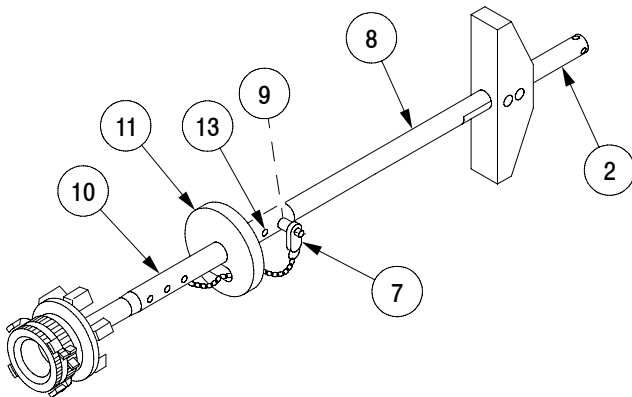
02pc.090mb

5-24 OPERATION OF EXTRACTOR ASSEMBLY - CONTINUED

5-24.3 Setup for Use Under Conditions of Poor Visibility.

If the extractor is being expanded under conditions of poor visibility, the alignment hole and shaft detent may be used as described below.

- a. Disengage locking pin (7) and pull solid shaft (8) from hollow shaft (10).
- b. Move alignment support (11) forward to the two holes (9 and 13) in hollow shaft (10).
- c. Guide locking pin (7) through the slot in the alignment support (11).
- d. Insert locking pin (7) in the alignment hole (13) (second hole from end of hollow shaft) (10).
- e. Insert solid shaft (8) in hollow shaft (10) and rotate until alignment detent in end of solid shaft (8) rests against locking pin (7).
- f. While holding both shafts, to prevent them from turning or sliding, remove locking pin (7) from alignment hole (13) and insert pin completely through farthest hole (9) to lock both shafts in extended position.
- g. Turn drive nut (2) counterclockwise until forward end of drive nut aligns with guide mark (white) on solid shaft (8) of extractor. Use rear mark (M198) for the M109A6 howitzer.
- h. Cock extractor as follows:
 - (1) Compress expansion ring (14) by squeezing tabs (15) together.
 - (2) Align cutout in retaining ring (16) with tabs (15) on expansion ring (14) and slide retaining ring (16) forward over expansion ring (14).

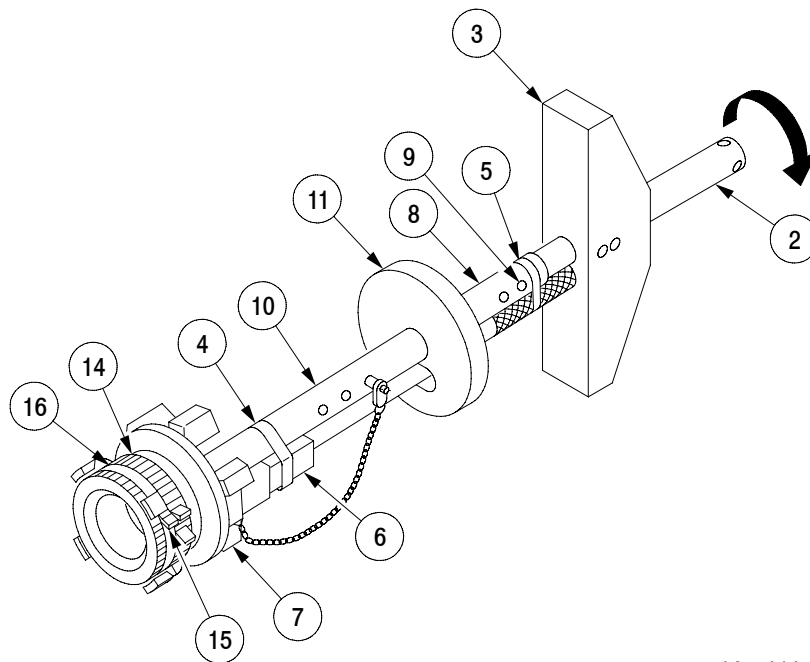


02pc090mc

5-24 OPERATION OF EXTRACTOR ASSEMBLY - CONTINUED

5-24.4 Breakdown for Stowage.

- a. Disengage locking pin (7) and compress telescoping shafts to retracted position.
- b. Guide locking pin (7) through slot in alignment support (11).
- c. Insert locking pin (7) completely through solid shaft (8) and hollow shaft (10).
- d. Remove ratchet (6) and guide ratchet handle through the slot in alignment support (11).
- e. Strap ratchet (6) to hollow shaft (10), using the straps (4 and 5) provided.
- f. Slide brace (3) forward until it touches end of ratchet handle. Turn drive nut (2) counterclockwise until brace (3) is held firmly against ratchet handle.
- g. Check to see if extractor is cocked. If it is not cocked, perform the following:
 - (1) Compress expansion ring (14) by squeezing tabs (15) together.
 - (2) Align cutout in retaining ring (16) with tabs (15) on expansion ring (14) and slide retaining ring (16) forward over expansion ring (14).
- h. Stow extractor in stowage brackets on right sponson (see Appendix E).



02pc090ma

5-25 UNLOADING AN M712 PROJECTILE.

5-25.1 Removal of Primer and Propelling Charge.

- a. Gunner removes primer and propelling charge as performed for other ammunition in this manual.
- b. Chief of section elevates/depresses tube to approximately 300 mils.
- c. Cannoneer positions loading tray in loading position.

5-25 UNLOADING AN M712 PROJECTILE - CONTINUED

5-25.2 Unloading Projectile M712.

Cannoneer unloads the M712 projectile as follows:



- Do not use bell rammer to unload the M712 projectile.
 - Ensure rammer loading tray is in the loading position.
- a. Obtain extractor.
 - b. Check to see if extractor is cocked. If ring is cocked, proceed to step c; otherwise, cock extractor as follows:
 - (1) Compress expansion ring by squeezing tabs together.
 - (2) Align cutout in ring retainer with tabs on expansion ring and slide ring retainer forward over expansion ring.
 - c. Insert extractor through breech ring until forward end makes contact with base of projectile. Push extractor firmly against projectile until expansion ring is seated in the base of the projectile. If extractor did not engage, remove it from tube, repeat step b and this step.
 - d. Turn extractor drive nut counterclockwise by hand until brace touches and is centered across face of breech ring.
 - e. Connect ratchet to end of extractor drive nut. Set ratchet to OFF and turn ratchet counterclockwise until projectile is pulled free of forcing cone. Remove ratchet from drive nut.
 - f. Let the projectile and extractor slide slowly out of tube until base of projectile passes through breech ring. Projectile will have to be raised a little to pass obturator over Swiss groove.
 - g. Release extractor by squeezing tabs on expansion ring.
 - h. Chief of section and the cannoneer pass the projectile out of the howitzer to driver and gunner. Driver and gunner repackage the projectile. If the projectile is loaded in a hot tube, follow the procedures in para 2-18.

5-26 M712 AMMUNITION PREPARED FOR FIRING, BUT NOT FIRED.

5-26.1 General.

M712 projectiles that have been unpackaged but not fired will be repackaged within 30 days and returned to battalion ammunition section for further disposition. Long exposure of the projectile to sunlight and other elements may cause it to fail. Code and time switch settings made during preparation need not be reset. A projectile that has been unloaded from a weapon as result of a misfire or checkfire will be repackaged as described below.

5-26 M712 AMMUNITION PREPARED FOR FIRING BUT, NOT FIRED - CONTINUED**5-26.2 Repackage Projectile.**

Repackage the M712 projectile as follows:

NOTE

An M712 projectile which has been rammed and extracted from a cold tube may be reused.

- a. Wipe all loose dirt and moisture from projectile.
- b. Locate original container. If container has become unserviceable, replace container. If original container cannot be found or has been replaced for unserviceability, make sure that markings on replacement container match markings on projectile. If markings do not match, return to battalion ammunition section for remarking.
- c. Install projectile into container as follows:
 - (1) Check red decals, stencilling, or stamping (if present) at nose end of container halves to assure cover body match. Switch container halves, if required.
 - (2) Open container, following procedure in para 5-21.1. Remove lifting straps. Also remove fin and wing preload bands.



Make sure that all four fin/wing retainer blocks securely engage fins/wings.

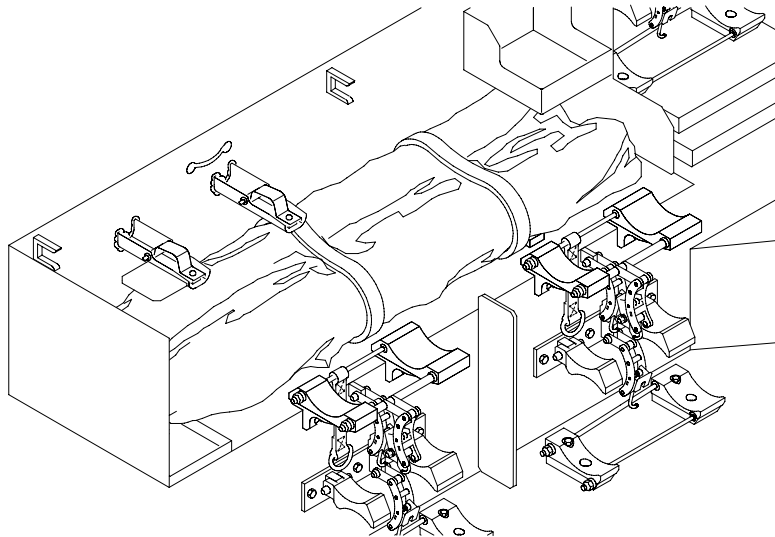
- (3) Install fin and wing preload bands on projectile.
- (4) Install lifting straps on projectile.
- (5) Spin tension mechanism counterclockwise by hand until it stops.
- (6) Lift projectile and position over opened container.
- (7) Carefully lower projectile, guiding nose cone into retainer ring in the container.
- (8) Using torquing rod, turn tension mechanism clockwise, as far as possible, to snug projectile into the retainer ring. Position torquing rod in holes so that rod is horizontal (or as close to it as possible). This is required to avoid interference with the cover stops inside the cover.
- (9) Be sure that desiccant and protective bags are placed inside container.
- (10) Place container cover on lower container half in a manner that aligns the inside cradles and places both the relief valve and humidity indicator to the rear of the container.
- (11) Starting on the end opposite the humidity indicator, straddle container, place T-bolts in cover recesses and close corresponding left and right side latches at the same time in pairs.

5-27 STOWAGE OF M712 PROJECTILES IN M109A6 HOWITZER.

5-27.1 General.

Stowage facilities are provided for two M712 projectiles in the crew compartment of the M109A6 howitzer. Use of these projectiles is reserved for the time when the howitzer is operating in a buttoned-up mode or when M712 projectiles are not available from the external ammunition carrier.

5-27.2 Stowage.



18ph050m

The chief of section assisted by cannoneer will place two uncontainerized projectiles on the right-side sponson, with nose cone facing forward. Install protective bag as follows:

- a. Obtain protective bag from container and remove tie-wraps.
- b. Remove lifting straps from projectile and place straps in container. Raise front of projectile. Second man slides protective bag over projectile as far as possible.
- c. Lower projectile into cradle.
- d. Raise base of projectile and slide bag over remainder of projectile.
- e. Lower projectile into cradle.
- f. Secure open end of protective bag with tie-wrap provided.
- g. Securely fasten projectile to sponson with two straps provided on sponson, tightening ratchets on straps.
- h. Repeat steps a thru g for second projectile.

5-28 STOWAGE OF EXTRACTOR ASSEMBLY IN HOWITZER.

Stow the extractor in the holding brackets provided (see Appendix E). Due to space limitations, the extractor must be stowed in the retracted position. See para 5-24.4 on how to break extractor down for stowage.

5-29 M712 PROJECTILE MAINTENANCE.

Humidity indicators on containerized M712 projectiles must be monitored for humidity every 90 days, as a minimum. If relative humidity in the container is 40 percent or greater (40 percent section of humidity indicator card is not blue), turn containerized projectile in to battalion ammunition section.

CHAPTER 6

FOREIGN AMMUNITION (NATO)

Section I. GENERAL

6-1. GENERAL

NOTE

The Automatic Fire Control System's fire mission system menu does not support the use of NATO ammunition in the M109A6 howitzer. The platoon operation center will have to provide the chief of section with data for a manual fire mission.

- a. Agreements between the United States and NATO allies have established the interoperability of weapon systems and ammunition of the nations. The agreements enable the safe and effective firing of major types of ammunition of the same size from the same compatible size and type weapon of the NATO armies.
- b. The following pages cover only authorized German (GE), United Kingdom (UK), Canadian (CA), Netherlands (NL), French (FR), Norwegian (NO), Italian (IT), Danish (DA), Greek (GR), or Belgian (BE) 155MM components. If a munitions item has not been authorized, it is because (1) it has not yet been determined to be safe to fire or (2) it has been determined that the munitions item cannot be safely fired from the U.S. weapon system.

WARNING

Failure to comply with the following warning could result in serious injury or death.

- Only under emergency combat conditions will zone 1 of M3A1 and DM62 propelling charge be fired from the M284 tube on the M109A6 howitzer weapon system. Zone 1 will be restricted when firing the M107 projectiles or equivalents, zone 1 and 2 will be restricted with the L15 series, DM105, DM106, or HEAT FRAG projectiles.
- Do not mix US, GE, UK, CA, NL, FR, NO, IT, DA, GR or BE components (i.e., projectile, propelling charge, flash reducer, fuze). Fire only all components from one nation except GE primer DM191A1 and projectile DM702/DM702A1. GE must use DM191A1 primer when firing US, GE, UK, CA, NL, NO, IT, DA, GR, or BE 155MM munitions. US must use US fuze, charge and primer when firing the GE DM 702/DM702A1 projectile.

NOTE

At the conclusion of any training exercise, ammunition drawn from NATO nation and not fired should be returned to the troops of the NATO nation from whom it was obtained.

Section II. PROJECTILES

6-2 AUTHORIZED PROJECTILES.



The L8A1 (Z7) and L10A1 can only be fired with the projectiles L15 series, DM105, DM106, all HEAT FRAG, HERA and DPICM projectiles listed. Failure to comply with this warning could result in serious injury or death.

- a. The following GE munitions are authorized for use in M109A6 howitzers:

Table with 2 columns: Munition Type and Description. Rows include Projectile (155MM, HE, DM21), Charge, Propelling (Green bag, DM62), Charge, Propelling (White bag, DM42B1), Fuze (Point detonating, DM211), and Primer (Use only U.S. M82 primer).

- b. The following UK munitions are authorized for use in M109A6 howitzer:

Table with 2 columns: Munition Type and Description. Rows include Projectile (155MM, HE, M107), Charge, Propelling (Green bag, M3A1), Charge, Propelling (White bag, M4A2), Fuze (Point detonating, M557), and Primer (M82).

6-2 AUTHORIZED PROJECTILES - CONTINUED

c. The following CA munitions are authorized for use in M109A6 howitzers:

Projectile	155MM, HE, M107
Charge, Propelling	Green bag, M3 ¹ ; M3A1 (Zones 2-5); White bag, M4A1 ¹ ; M4A2 (Zones 3-7)
Fuze	Point detonating, M557, M739; MTQS, M564, Proximity, M514A1 ²
Primer	M82

d. The following NL munitions are authorized for use in M109A6 howitzers:

Projectile	155MM, HE, M107, M107C1 ³ , M107B3 ⁴ (TNT-loaded only)
Charge, Propelling	Green bag, M3C1 ³ (Zone 2-5), M4A1, M4C3 ³ White bag (Zones 3-7)
Fuze	Point detonating, M557, M557C1 ³
Primer	M82, M82C1 ³

NOTE

FR troops must use MK2A4 primer in FR F3 AMSP weapon.

e. The following FR munitions are authorized for use in M109A6 howitzers:

Projectile	155MM, HE, M107
Charge, Propelling	Green bag, M3 ¹ (Zones 1-5)
Charge, Propelling	White bag, M4A1 ¹ (Zones 5-7)
Fuze	Point detonating, M557
Primer	Use US M82 only. Do not use MK2A4 primer

¹ These charges do not have flash reducers.

² VT fuze M514A1 is now used by the U.S. for emergency combat use only, not to be fired in training.

³ NL manufacture.

⁴ U. S. modified M101.

6-2 AUTHORIZED PROJECTILES - CONTINUED



Failure to comply with the following warning could result in serious injury or death.

- Do not fire M107 projectiles when lot number starts with RA.
- Interchange firings will be with TNT-loaded M107 projectiles.

f. The following NO munitions are authorized for use in M109A6 howitzers:

Projectile	155MM, HE, M107 (TNT-loaded only)
Charge, Propelling	Green bag (None)
Charge, Propelling	White bag, NM23 (Same as US M4A2) (Zone 3-7)
Fuze	Point detonating, M557
Primer	M82 Do not use DM191A1 primer

g. The following IT munitions are authorized for use in M109A6 howitzers:

Projectile	155MM, HE, M107 (TNT-loaded only); HE, L15A1, L15A2; SMK, HC, DM105, DM105A1; Illum, DM106
Charge, Propelling	Green bag, M3A1 (Zones 3-5)
Charge, Propelling	White bag, M4A2, DM42 (Zones 3-7); L8A1 (Zones 3-7); L10A1 (Zone 8)
Fuze	Point detonating, M557, MTSQ, M564; VT, FB375B
Primer	M82 Do not use DM191A1 primer

h. The following DA munitions are authorized for use in M109A6 howitzers:

Projectile	155MM, HE, M107 (TNT-loaded only)
Charge, Propelling	Green bag, M31 ¹ , M3A1 (Zones 2-5)
Charge, Propelling	White bag, M4A1 ¹ , M4A2 (Zones 3-7)

¹ These charges do not have flash reducers.

6-2 AUTHORIZED PROJECTILES - CONTINUED

Fuze Point detonating, M557C1³, MTSQ, M564

Primer M82

i. The following GR munitions are authorized for use in M109A6 howitzers:

Projectile 155MM, HE, M107, M107B2

Charge, Propelling Green bag, M3¹, M3A1 (Zones 2-5)

Charge, Propelling White bag, M4A1¹; M4A2 (Zones 3-7)

Fuze Point detonating, M557; MTQS, M564

Primer M82

j. The following BE munitions are authorized for use in M109A6 howitzers:

Projectile 155MM, HE, M107, M107B2
(TNT-loaded only)

Charge, Propelling Green bag, M3¹ (Zones 2-5)

Charge, Propelling White bag, M4A1¹ (Zones 3-7)

Fuze Point detonating, M557, MTSQ, M564

Primer M82

NOTE

Except as noted above, preparations for firing GE, UK, CA, NL, FR, NO, IT, DA, GR, or BE munitions in U.S. weapons system (preparation for firing, precautions during firing, misfire procedures, etc.) are contained in Chapter 2 and Chapter 5 of this manual.

k. The following U.S. munitions are authorized for use in GE M109A3GEA1, UK M109A2/A3, FH70, AS-90, CA M109A2/A3, NL M109A2/A3, FR F34AM and NO M109A3GN, IT M109G or M109L, DA M109A3, GR M109A1B, M198, and BE M109A2/A3.

NOTE

- During training exercises, give either TNT or Comp B loaded 155MM, HE, M107 projectiles to NL and FR troops. All other nations should be given TNT-loaded projectiles only.
- In the FH70, M109A3GEA1, AS-90, M109L use all those listed plus propelling charge, red bag M203 and M203A1.
- The M82 primer can not be used in the FH 70 or M109A3GEA1. Use the DM191A1 primer only in those weapons.

¹ These charges do not have flash reducers.

³ NL manufacture.

6-2 AUTHORIZED PROJECTILES - CONTINUED

Projectile	HERA M549A1 DPICM M483A1 DPICM-BB M864
Charge, Propelling	Red bag M119A2
Primer	M82

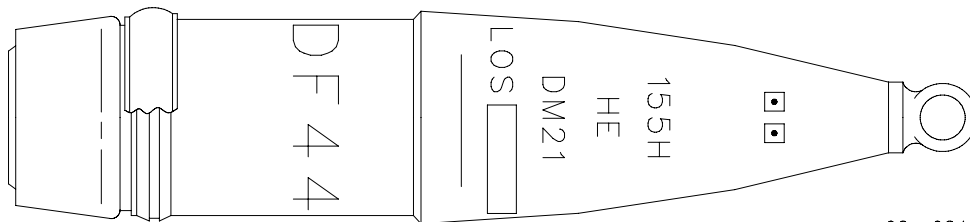
I. The authorized projectiles and their characteristics are as follows:

NOTE

- Do not fire below Charge (Zone) 2, DM62 with this projectile in the M284 cannon.
- Do not fire above Charge (Zone) 6, L8A1 with this projectile in the M284 cannon.

(1) Projectile, 155MM: HE, DM21(GE). This projectile is fired from 155mm howitzers and is used for blast effect, fragmentation, and mining.

The projectile is a hollow steel shell filled with TNT. The shape is ogival with a boattail for aerodynamic efficiency. A supplementary charge of 0.3 lb (0.136 kg) TNT is sealed in an aluminum container placed in the fuze cavity of the projectile. The projectile weighs approximately 92.3 lbs (41.9 kg). A threaded lifting plug closes the fuze cavity at the nose of the projectile for handling. A point detonating fuze is used with this projectile. A rotating band encircles the shell casing near the base and is protected by a grommet before loading. A steel plate (base cover) is welded over the base to prevent entry of hot propellant gases into the projectile interior.



02pc084m

DM21 PROJECTILE

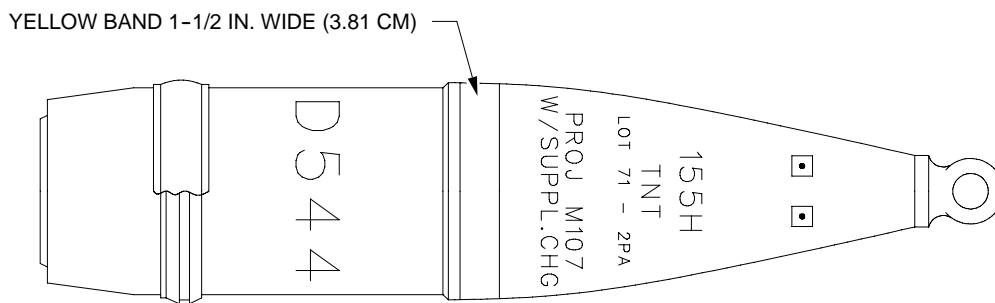
6-2 AUTHORIZED PROJECTILES - CONTINUED

NOTE

With the exception of a yellow hazard band around the body of renovated projectiles, these UK munitions are identical to U.S. munitions.

- (2) Projectile, 155MM, HE, M107 (Normal and Deep Cavity (UK, CA, FR, NO, IT, DA, GR, and BE)). The high projectile is used for blast effect, fragmentation, and mining. The projectile is a hollow steel shell, filled with TNT. Point detonating fuze is used with this projectile. A supplementary charge of 0.3 lb (0.136 kg) TNT is sealed in an aluminum container placed in the fuze cavity of the projectile. The projectile weighs approximately 92.3 lb (41.9 kg).

M107 PROJECTILE

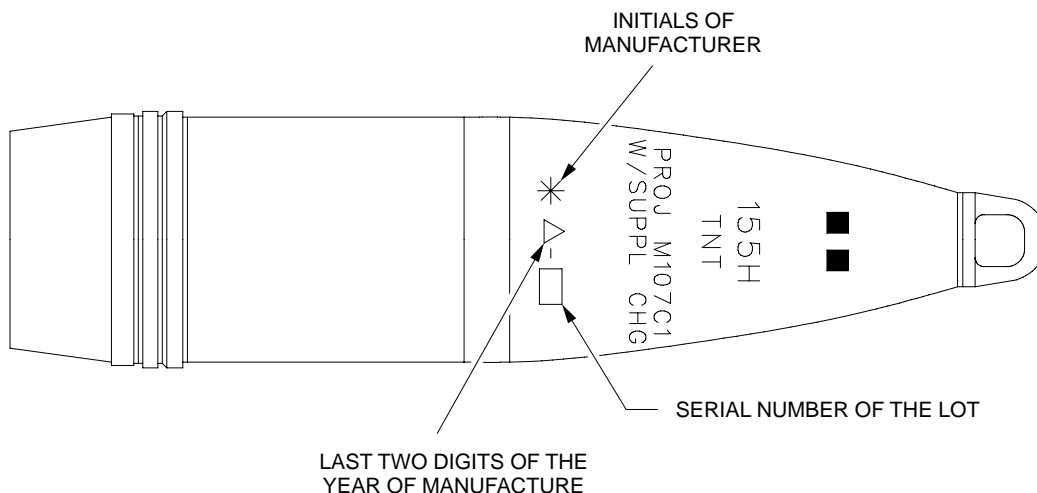


PROJECTILES, AS MANUFACTURED, DO NOT HAVE THIS BAND. IT IS ADDED ONLY WHEN PROJECTILE IS RENOVATED (UK ONLY).

02pc085m

- (3) Projectile, 155MM, HE M107C1 (NL). This high explosive projectile is used for blast effect, fragmentation, and mining. The projectile is a hollow steel shell, filled with TNT. Point detonating, time or proximity (deep cavity only) fuzes may be used. The projectile weighs approximately 92.3 lbs (41.9 kg).

M107C1 PROJECTILE



02pc086m

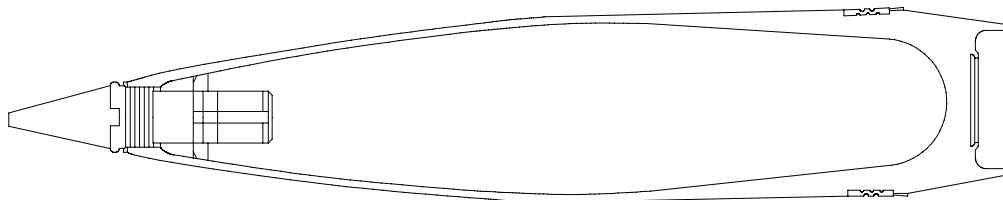
6-2 AUTHORIZED PROJECTILES - CONTINUED

WARNING

The L15A2 is not to be fired if the obturator is missing or broken as rotating band failure and short rounds may result. If the band is displaced and can be repositioned to remain in the groove, the projectile can be fired. Failure to comply with this warning could result in serious injury or death.

- (4) Projectile, HE, 155MM L15A1/L15A2 (GE, IT, UK). The projectile is a high fragmenting steel shell with a swaged guided metal rotating band encircling the case near the base of the shell. The base is protected by a carbon steel base plate to ensure hot gases generated by the burning propelling charge cannot come in contact with the explosive charge. The main explosive charge is an RDX-TNT mixture and the supplemental charge is an RDX-WX8 composition. The A2 designation adds an obturator band behind the rotating band for improved performance in worn tubes.

L15A1/L15A2 PROJECTILE



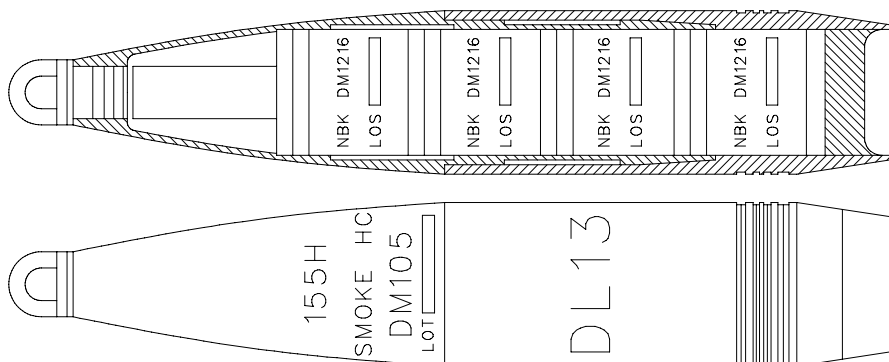
02pc087m

WARNING

Projectiles DM105 and DM106 are not to be fired in 4th Qtr guns at Charge 7 (L8A12) or Charge 8 (L10A1). Failure to comply with this warning could result in serious injury or death.

- (5) Projectile, Smoke, 155MM, DM105 (GE, IT, UK). The projectile DM105 is a base eject projectile of hollow steel construction containing four canisters of HC (white) smoke composition. The canisters are stacked in the projectile and are ignited by hot gases from the black powder explosion charges which eject the canisters from the shell. Ignition occurs approximately 4.5 seconds after explosion and the resulting smoke has a minimum duration of 3 minutes.

DM105 PROJECTILE



02pc088m

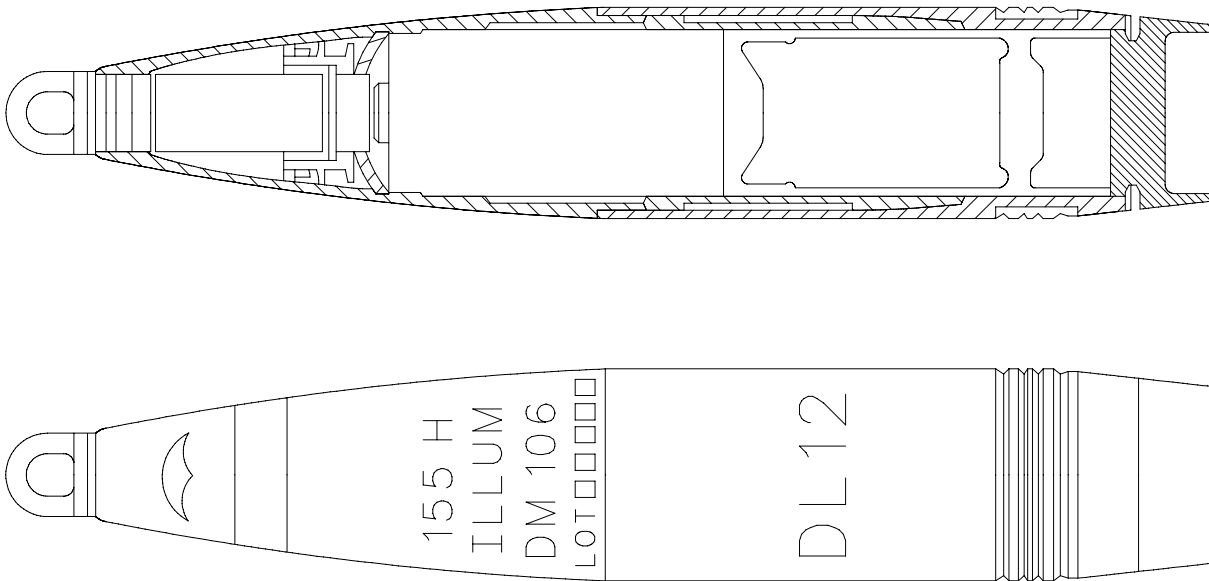
6-2 AUTHORIZED PROJECTILES - CONTINUED

NOTE

THE DM106 might not operate reliably when set to function at remaining velocities in excess of 1148 ft/sec (350 m/sec).

- (6) Projectile, Illuminating, 155MM, DM106 (GE, IT, UK). A hollow steel shell containing a canister with a primary expulsion charge. As this charge expels the canister it ignites a delay element on the canister and upon expulsion, a braking parachute and anti-rotation brake are deployed. After three seconds, the delay element in the canister ignites a secondary expulsion charge. This charge ignites the illuminating element causing the main parachute and secondary anti-rotation brake to be deployed while also expelling the illuminate from the canister. The illuminate burns for a minimum of 60 seconds and produces 1,800,000 candle power of light intensity.

DM106 PROJECTILE



02pc089m

6-2 AUTHORIZED PROJECTILES - CONTINUED

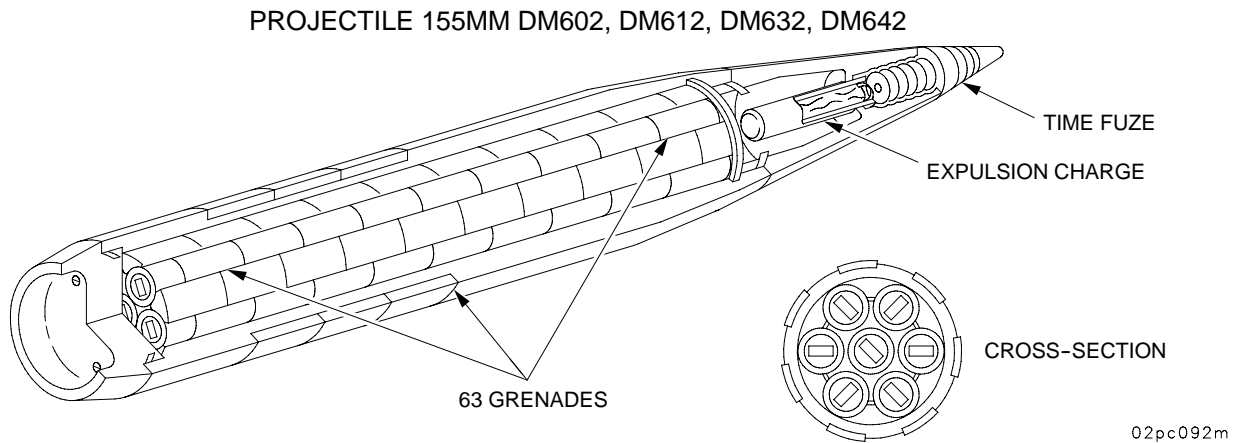
NOTE

All projectiles DM602, DM612, DM632, and DM642 have the same physical appearance. The cross section shown is common for all.

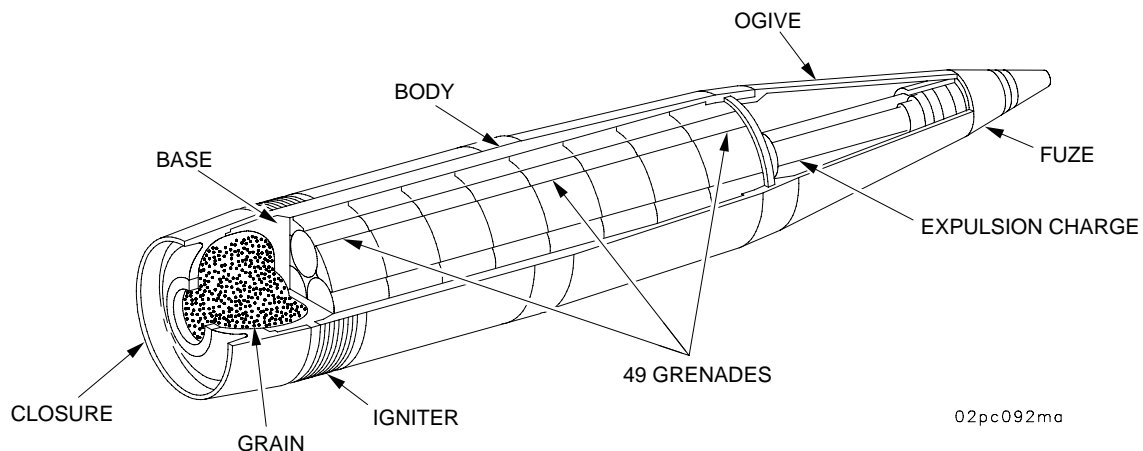
- (7) Projectile, 155MM, Heat-Frag, DM602 (GE). This projectile is used to deliver a cargo of submissile dual purpose munitions to defeat semi-hard and soft-hard and soft targets. The DM602 is an ICM projectile containing 63 grenades, DM1348. Each grenade consists of a pre-fragmented steel case, liner, explosive, lead charge, fuze with drag ribbon stabilized and anti-rotational brake. The grenade has a high penetration capacity and provides good fragmentation effects. There are only minor differences in the layout of the projectile body and the expulsion assembly, between the DM602 and DM612. This projectile has not been fired in U.S. weapons.
- (8) Projectile, 155MM, Heat-Frag, DM612 (GE). The DM612 is a DPICM projectile containing 63 DM1348 grenades. Each grenade consists of a pre-fragmented steel case, liner, explosive, lead charge, fuze with drag ribbon stabilizer, and anti-rotational brake. The grenade has a high penetration capacity and provides good fragmentation effects. The dual fuzes DM163 or M577 (U.S.) are used as projectile fuzes initiating the expulsion charge (contained in a cavity in the ogive of the projectile) deploying the grenades above the target area after a set time delay. The gas pressure expanding in the ogive acts upon the pusher plate and is transmitted through the grenades to the base plug, shearing the threads securing the plug in the steel and expelling the grenades from the rear end of the projectile. The rotating projectile transfers centrifugal forces to the grenades, which disperse in a circular pattern relative to the trajectory of the projectile. They rotate round their longitudinal axes and are oriented by the drag ribbon stabilizer to drop with the shaped charge facing downward. The drag ribbon stabilizer attached to the firing pin pulls the pin loose, releasing the slide holding the detonator. The anti-rotational brakes will open, the slide will move into firing position through spring and centrifugal forces. Negative acceleration on impact causes the firing pin to stab the detonator which initiates the explosive train, A shaped-charge jet is directed downward to penetrate armor plate while the grenade body bursts into a large number of small fragments effective against soft targets. For storage and transportation safety, the projectile is provided with a fusible lifting plug in the fuze cavity. The difference between the DM642 ICM projectile and the DM612 is that the DM612 does not contain the self-destruct feature grenades, DM1383.
- (9) Projectile, 155MM, Heat-Frag, DM632 (GE). The DM632 is a DPICM projectile containing 63 DM1383 grenades. Each grenade consists of pre-fragmented steel body, liner, explosive, lead charge, fuze with self-destruction, drag ribbon stabilizer, and anti-rotational brake. The grenade has a high penetration capacity and provides good fragmentation effects. The projectile DM632 is identical with projectile DM602 except for the modified expulsion charge and grenade fuzes with pyrotechnical self-destruction.

6-2 AUTHORIZED PROJECTILES - CONTINUED

(10) Projectile, 155MM, Heat-Frag, DM642 (GE). This projectile is used to deliver a cargo of submissile dual purpose armor defeating and anti-personnel grenades. The DM642 is a DPICM projectile containing 63 DM1383 grenades. Each grenade consists of pre-fragmented steel body, liner, explosive, lead charge, fuze with self-destruction, drag ribbon stabilizer, and anti-rotational brake. The grenade has a high penetration capacity and provides good fragmentation effects. The difference between the DM612 and DM642 is that the DM642 grenades contain a self-destruct feature.



(11) Projectile, 155MM, Heat-Frag, Base Burn, DM652 (GE). This projectile is used to deliver a cargo of submissile dual purpose munitions to defeat semi-hard and soft targets over long ranges. The DM652 is a DPICM projectile containing 49 DM1383 grenades, and has extended range capabilities. The range of this projectile is extended by means of a base bleed motor which discharges gases compensating for the low pressure at the projectile base and thus helps reduce the drag coefficient. Projectile body and base bleed motor are identical with that of U.S. Projectile M864. Each DM1383 grenade consists of prefragmented steel body, liner, explosive, lead charge, fuze with self-destruction, drag ribbon stabilizer, and anti-rotational brake. The grenade has a high penetration capacity and provides good fragmentation effects.



6-2 AUTHORIZED PROJECTILES - CONTINUED

(12) Projectile, 155-mm, SMArt, DM702/DM702A1 (GE). This projectile is a 155-mm fire-and-forget, top attack, counter-fire munition. There are two sensor fuzed munitions (SFM) packaged in the projectile. The SFM are ejected out of the base of the projectile using a fuze initiated expulsion charge located in the forward end of the round. Millimeter-wave radar and infrared sensors locate targets and provide counter-measure resistance. The warhead is an explosively formed penetrator designed for top-attack of the self-propelled howitzers and armored combat vehicles. Firing solution for the DM702/DM702A1 exist in AFATAD.

NOTE

- The SMArt, DM702/DM702A1 projectile comes pre-fuzed with the DM52 fuze. The DM52 fuze must be replaced with the M762A1 fuze prior to firing. It must also be fired with charge M232 MACS-Zone 3-5 and the M82 primer when fired from a US weapon. The DM52 fuze removed from the DM702/DM702A1 should be packed in a M2A1 container and sent back to the ASP for destruction.
- The SMArt DM702/DM702A1 is not safety certified to be transported in the M109A6 weapon prefuzed. Therefore, the projectile should not be unpacked or fuzed with the M762A1 fuze and loaded onto the weapon until a fire mission is called to fire the DM702/DM702A1 projectile. In the event a M762A1 fuze is placed on a DM702/DM702A1 projectile and not fired, the projectile should be refuzed with the DM52 fuze prior to repacking the projectile in its container.

Characteristics: Number of Submunitions: 2

Submunitions Footprint radius: DM702 70m, DM702A1 105m

Optimal altitude: DM702 100m, DM702A1 150m



02pc422m

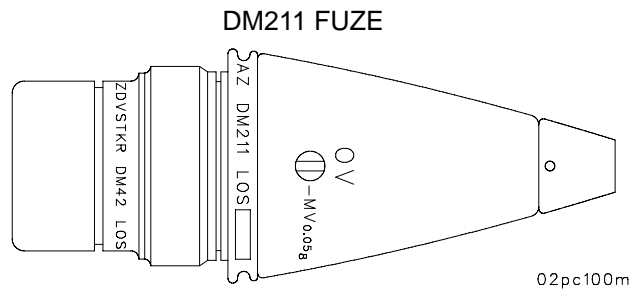
SECTION III. FUZES

6-3 AUTHORIZED FUZES.

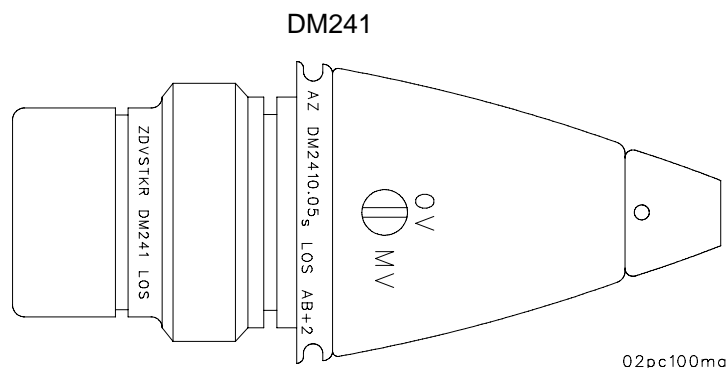
WARNING

Premature functioning can occur when DM211, DM241, and M557C1 fuzes are fired in heavy rainfall resulting in serious injury or death.

- a. Fuze, Point-Detonating, DM211 (GE, NO). The DM211 has a superquick (SQ) element in the head consisting of a firing pin, firing pin support, and detonator. The fuze body contains a delay plunger assembly and a selective setting device for superquick or delay action. The DM211 is similar to the U.S. fuze M557.



- b. Fuze, Point-Detonating, DM241 (GE). Fuze DM241 consists essentially of Fuze DM211 modified with an epoxy filler in the ogive cavity for reinforcement. A superquick (SQ) element in the head consists of a firing pin, firing pin support, and detonator. The body of the fuze is epoxy-filled within the thin-walled ogive. The fuze body contains a delay plunger assembly and a selective setting device for superquick or delay action. The delay plunger assembly includes a firing pin and delay element consisting of a primer, black powder delay charge, and a relay. The DM42 booster consists of a brass booster body having external threads to fit projectiles having 2 in. (51 mm) diameter, 12 threads per inch cavities, and internal threads to receive fuzes having 1.7 in. (43 mm), 14 threads per inch. An aluminum booster cup containing a tetryl booster pellet is threaded to the booster body. The DM42 booster internal configuration is that of an eccentric rotor containing a detonator help in an unarmed (out of line) position by centrifugal detentes and a gear train mechanism which provides a delayed arming of the booster assembly until the projectile is approximately 72.6 yd (66 m) from the muzzle, depending upon the weapons and charge being fired.

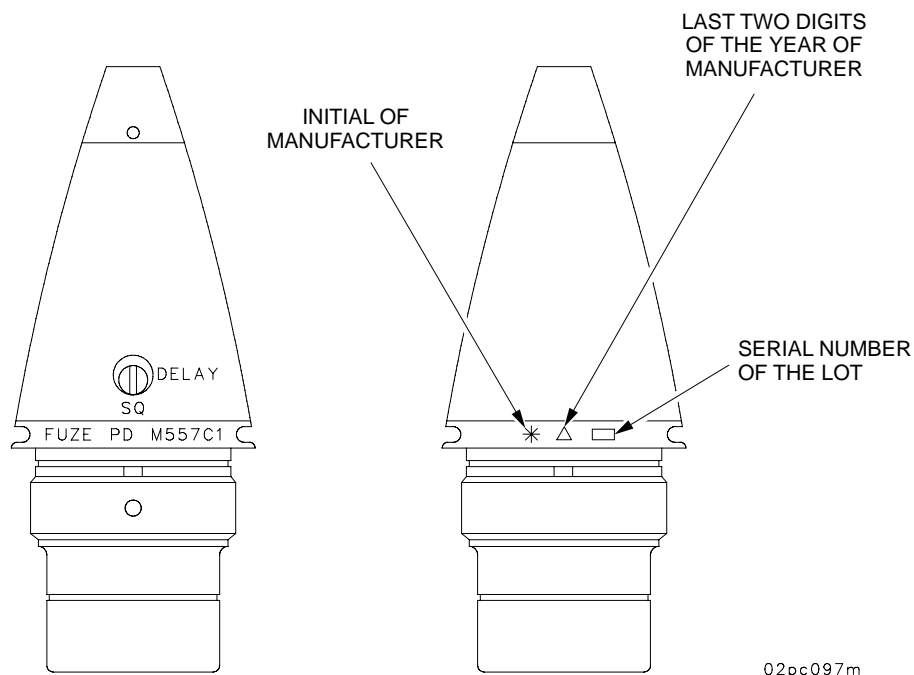


6-3 AUTHORIZED FUZES - CONTINUED

NOTE

The fuze M557C1 is a U.S. M557 fuze with booster M125C1 of Italian manufacture. This booster is the same design as the U.S. M125A1 except it is fitted with a setback pin which locks one of the spin locks.

- c. Fuze, Point-Detonating, M557C1 (NL). The M557C1 fuze is a selective superquick or 0.05-second delay impact fuze. The M557C1 fuze is a U.S. M557 fuze with booster M125C1 of Italian manufacture. This booster is the same design as the U.S. M125A1 except that it is fitted with a setback pin which locks one of the spin locks.



02pc097m

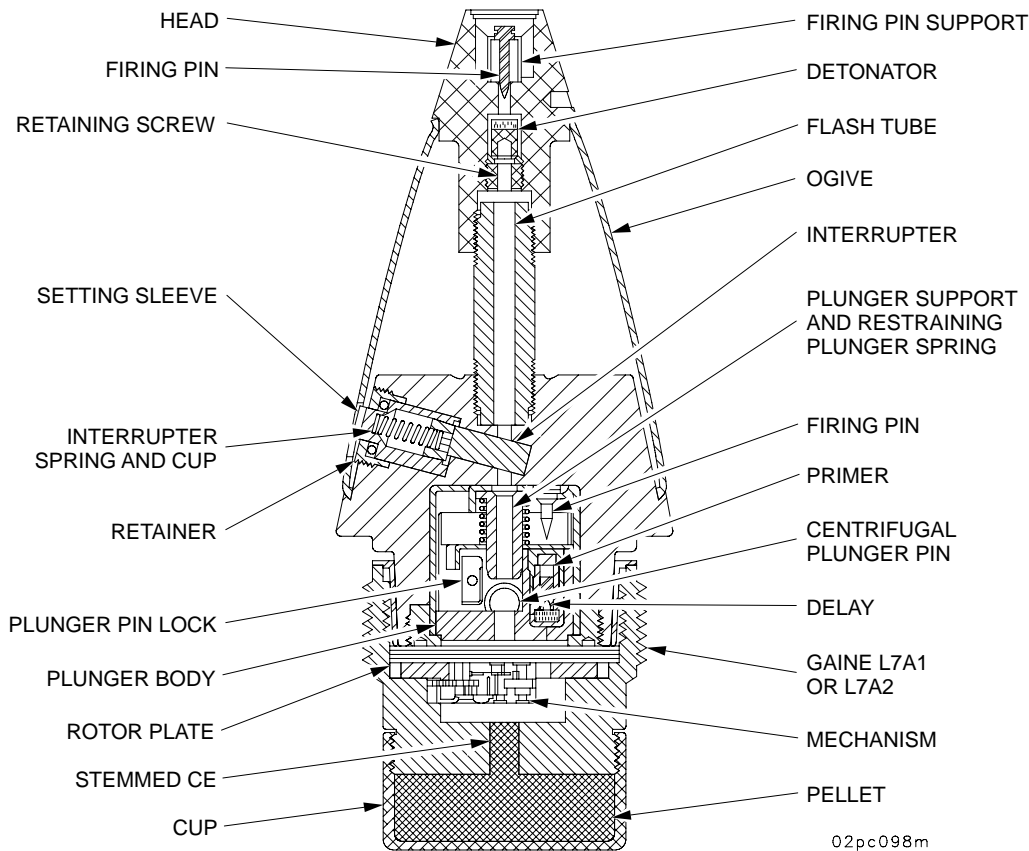
M557C1 FUZE

6-3 AUTHORIZED FUZES - CONTINUED

WARNING

L85A2, L106 series, and L112A fuzes should not be power rammed. Failure to comply with this warning could result in serious injury or death.

- d. Fuze, Point-Detonating, Nose Percussion L85A1 and L85A2 (UK). The fuze L85 is identical to the M557, except that it is fitted with a Gaine* L7 in place of the booster M125 and there is CE stemming over a diaphragm in place of the closing cup lead charge used in the booster. The optional delay is between 0.02 and 0.03 seconds. Some of the components associated with the initiating train are made of aluminum or are nickel plated, while others are of brass. Model No. L85A2 has a steel body with the detonator consisting of 1.05 gr primer mixture (potassium chlorate)/0.285 gr lead azide. The Gaine used is the L7A2 with a detonator containing 1.25 gr CE and 3.55 gr lead azide and a magazine filling of CE. The Gaine L7A2 has an anti-roll setback detonate to prevent arming if the Gaine is rolled.



- (1) The fuze L85A2 differs from the fuze L85A1 in the following respects:
 - (a) The burning time of the delay is reduced from 0.05 seconds to 0.025 seconds.
 - (b) The ogive cone is approximately 50 percent thicker.
 - (c) Components of the head assembly have been subjected to change of material to minimize corrosion.
 - (d) Components of the body assembly have been nickel plated to minimize corrosion.

*Gaine—An explosive train arranged to achieve, maintain, or enhance detonation.

6-3 AUTHORIZED FUZES - CONTINUED

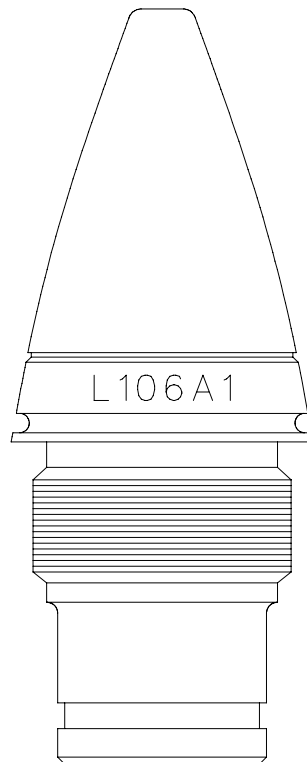
- (e) Gaine L7A2 replaces booster M125.
- (2) Gaine L7A2 differs from Gaine L7A1 in the following respects:
- To remove the risk of arming by rolling, the Gaine L7A2 has a spring loaded axial detent fitted which engages a hole in one of the two rotor detentes.
 - The Gaine L7A2 has the top surface of its rotor fitted with a spring-loaded rotor lock pin which engages a hole in the cover plate when the rotor rotates to the armed position.

NOTE

Fuzes L106A1/A2 are not to be fired at charge temperature > 125°F (52°C).

- e. Fuze, Point-Detonating, L106A1 and L106A2 (UK). The fuze L106A1/A2 is a direct action and graze fuze which can be set for delay or superquick action. It consists of a nose cap, body assembly, hammer and guide, percussion and graze mechanisms inertia pellet, delay holder, No. 2/3 delayed arming unit and magazine assembly with adapter and cap.

The L106A2 differs from the L106A1 by the incorporation of a strengthened nose, revised number, and an improved hammer guide setting of "D" differs from "SQ" only in that the flash from the detonator in the inertia pellet is diverted through two side channels leading to the delay compositions in the delay holders.



02pc099m

NOTE

The fuze could be L106A1 or L106A2. L106A1 is shown.

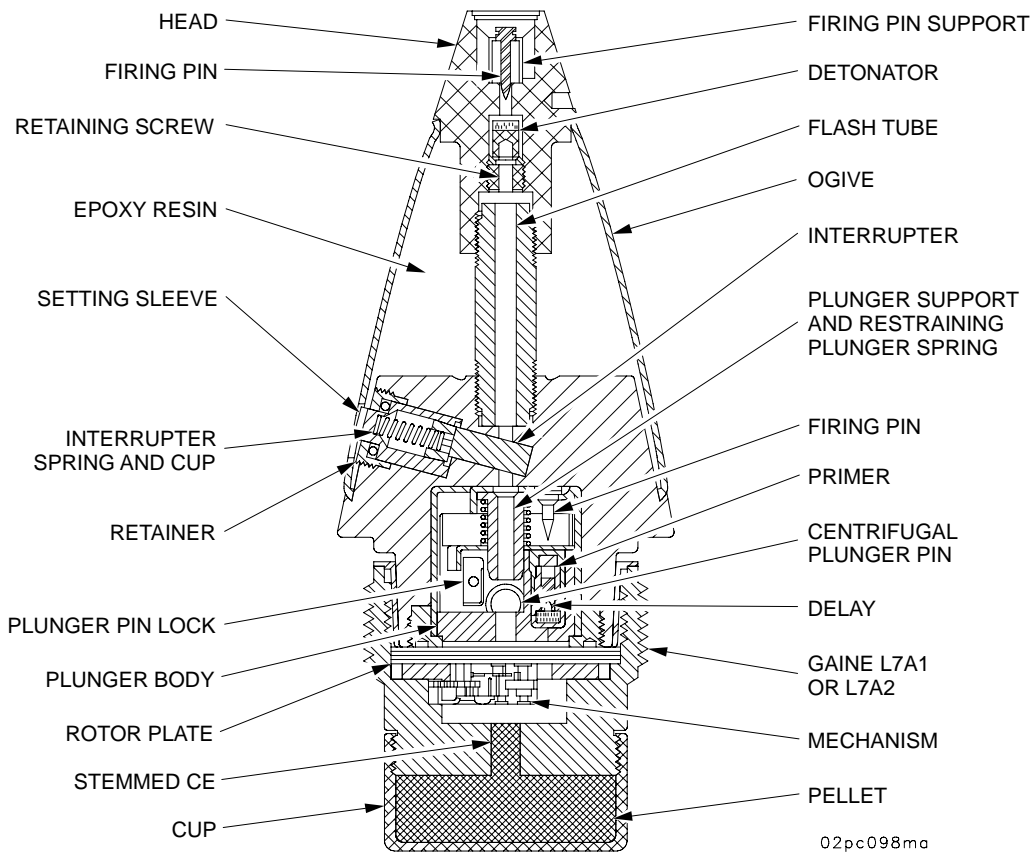
6-3 AUTHORIZED FUZES - CONTINUED

NOTE

Fuze L112A1 is not to be fired outside of temperature limits -23.8°F (-31°C) and 133°F (56°C). Not to be stored or transported between -24°F (-31°C) and 115°F (46°C).

Fuze L112A1 is not to be fired in projectile M107 filled comp B. Not to be left in hot gases 240°F (115°C).

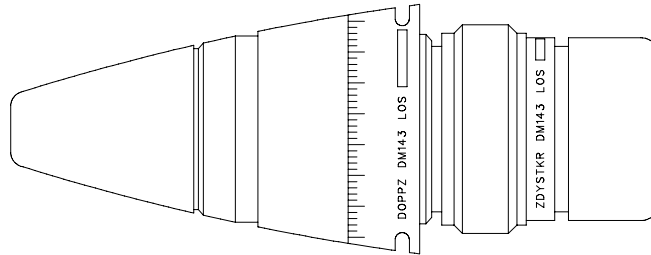
- f. Fuze, Point-Detonating, Nose Percussion, L112A1 (UK). The fuze L112A1 is similar to the fuze nose percussion PD L85A2. They differ mainly in that the L112A1 is structurally reinforced by filling the ogive cavity with epoxy to withstand increased ballistic stresses encountered at high charges. The L112A1 has a steel body and a detonator containing 1.05 gr primer mixture (potassium chlorate) and 0.285 gr lead azide. The charge used in the L112A1 is L7A2 with a detonator containing 1.25 gr CE and 3.55 gr lead azide and magazine filling GE.



02pc098ma

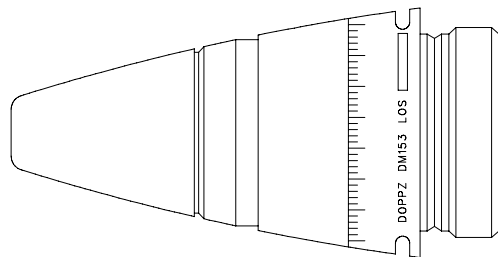
6-3 AUTHORIZED FUZES - CONTINUED

- g. Fuze, MTSQ: DM143 (GE). The artillery MTSQ-fuze is a mechanical clockwork fuze. Connecting dimensions of this fuze are the same as MTSQ M501. Range application: Time mode with running times between 2 and 150 seconds or PD-mode. Time setting is performed by turning the central section of the fuze with the special fuze setting tool. If the fuze hits a hard target before the set time has elapsed, the PD-mode will override the time mode. No setting will be required for firing the fuze in the PD-mode since it is set to PD prior to delivery. The DM143 uses the DM42A1 booster.



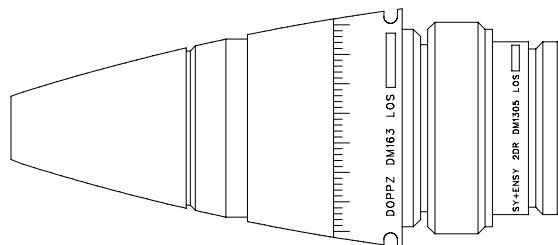
02pc093m

- h. Fuze, MTSQ: DM153 (GE). The artillery MTSQ-fuze is a mechanical clockwork fuze. Connecting dimensions of this fuze are the same as the MTSQ M577 and M564. The 1.7 in. (4.3 cm) UNS-1A connecting thread is accessible when removing the threaded adapter. Range of application: Time mode with running times between 2 and 150 seconds or PD-mode. Time setting is performed by turning the central section of the fuze with the special fuze setting tool.



02pc093ma

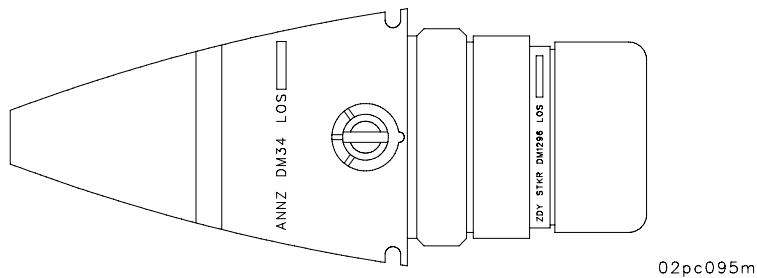
- i. Fuze, MTSQ: DM163 (GE). The artillery MTSQ-fuze is a mechanical clockwork fuze. Connecting dimensions of this fuze are the same as MTSQ M577 and M564. The 1.7 in. (4.3 cm) UNS-1A connecting thread is accessible when removing the threaded adapter. Range of application: Time mode with running times between 2 and 150 seconds or PD-mode. Time setting is performed by turning the central section of the fuze with the special fuze setting tools.



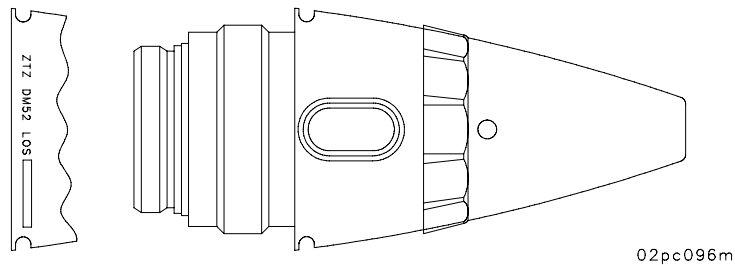
02pc094m

6-3 AUTHORIZED FUZES - CONTINUED

- j. Fuze Proximity: FS375B (IT). The FB375B proximity fuze is authorized for use on all IT 155mm HE projectiles including "Base Burn". It has an intrusion of 2.2 in. A setting sleeve, manually operated, allows the selection of one of the two operating modes: Proximity + PD backup or PD only. Proximity operating is based on RF Doppler techniques. Special design techniques take care of different soil reflectivity as well as different angles of approach in order to keep burst height independent of the above parameters. It is used against ground personnel and material targets.
- k. Fuze, Proximity: DM34 (GE). This fuze is a proximity fuze with a PD backup. The fuze can be mechanically switched to provide a PD function with or without a delay of 10 ms.



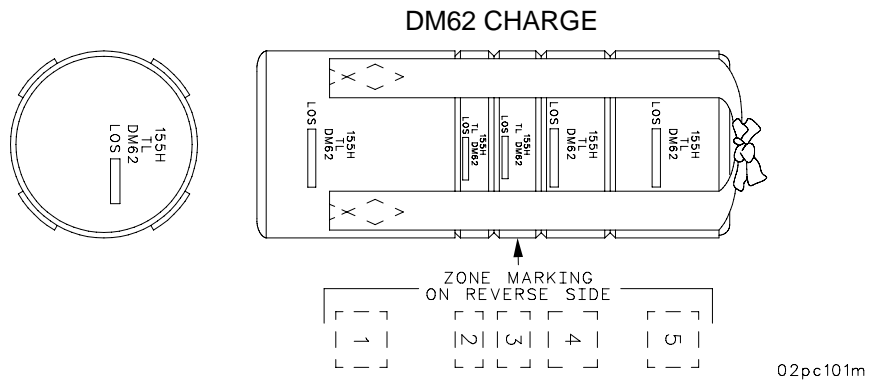
- l. Fuze, ETSQ: DM52 (GE). The artillery ETSQ fuze is an inductive electronic time fuze. Connecting dimensions of this fuze are the same as the MTSQ DM163 on the M762 fuzes and is an alternative to any of their applications. It is not only capable of hand setting with a special fuze setter, but can also be set by a programmable inductive fuze setter. It has a digital display and is operated by a lithium primary battery.



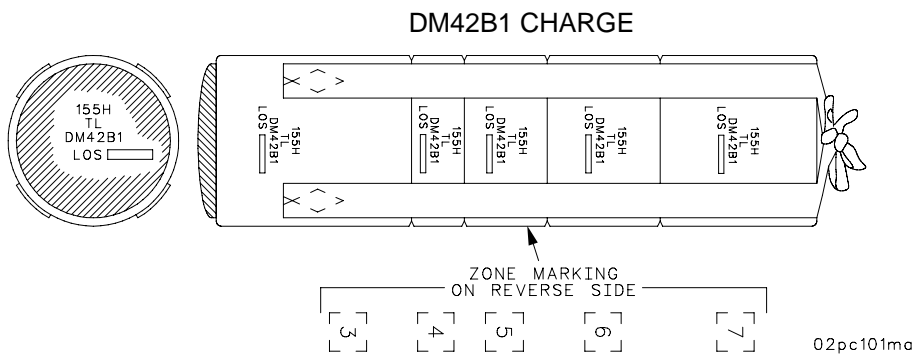
Section IV. PROPELLING CHARGES

6-4 PROPELLING CHARGES.

- a. Propelling Charge, DM62 (GE). This is a green bag charge consisting of a base charge and four unequal increments loaded in cloth bags for firing in zones 1 through 5. The bags are fastened together with four cloth straps sewn to the base and tied on top of Increment No. 5. The clean-burning igniter in a red or brown cloth bag is sewn to the rear of the base charge.

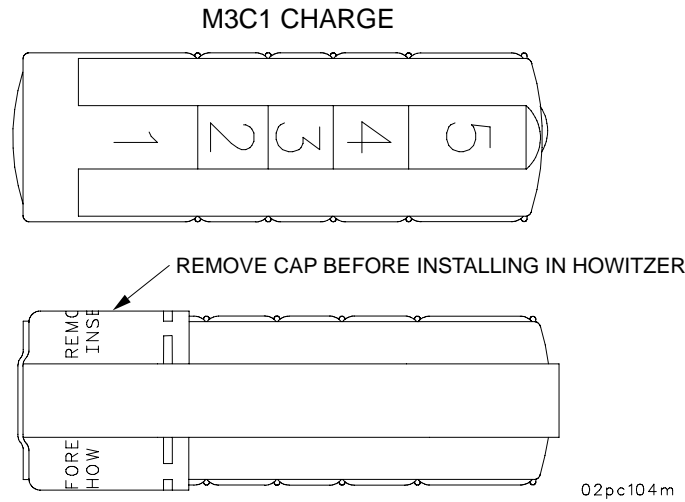


- b. Propelling Charge, DM42B1 (GE). This is a white bag charge consisting of a base charge and four unequal increments loaded in cloth bags for firing in zones 3, 4, 5, 6, and 7. The increments are connected by four cloth tapes sewn to the base and tied on top of increment No. 7. The clean burning igniter in a red or brown cloth pad is sewn to the bottom of the base charge. A flash reducer pad is assembled at the front end of the base charge.



6-4 PROPELLING CHARGES - CONTINUED

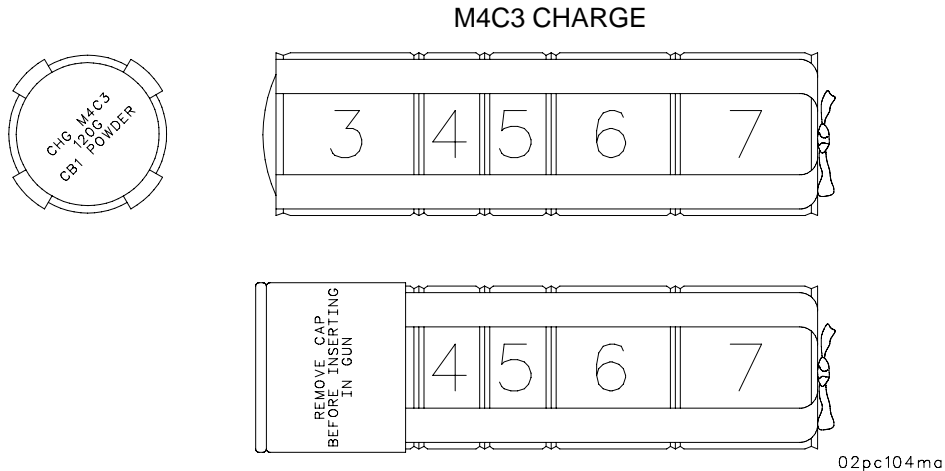
- c. Propelling Charge, M3C1 (NL). This is a green charge consisting of a base charge and four unequal increments loaded in cloth bags for firing in zones 1 through 5. The bags are fastened together with four cloth straps sewn to the base and ties on top of Increment No. 5. It has a flash reducer pad forward the base charge and two flash reducer pads forward Increments 4 and 5. The clean-burning igniter, in a red cloth bag, is sewn to the rear of the base charge.



NOTE

Lot number of assembled propellant charge is shown on the ground charge and all supplement charges.

- d. Propelling Charge, M4C3 (NL). This is a white bag charge consisting of a base charge and four unequal increments loaded into cloth bags for firing in zones 3, 4, 5, 6, and 7. The increments are connected by four cloth tapes sewn to the base and ties on top of Increment 7. The clean-burning igniter in a red cloth pad is sewn to the bottom of the base charge (Increment 3). A flash reducer pad is assembled at the front end of the base charge (Increment 3).



6-4 PROPELLING CHARGES - CONTINUED**WARNING**

- L8A1 can only be fired above charge 7 with U.S. M549A1 HERA and M825, Smk, WP and M864 HEDPICKM-BB projectiles. Failure to comply with this warning could result in serious injury or death.
- Charge, propelling L8A1, (Zone 7), L10A1 (Zone 8) not to be fired in the M109A2/A3/A4 howitzer. Failure to comply with this warning could result in serious injury or death.

NOTE

Charges, propelling L8A1 and L10A1 use DM191A1 primer

6-4 PROPELLING CHARGES - CONTINUED

- e. Charge, Propelling, 155mm, L8A1, Cartridge 2 (GE, IT, and UK). Cartridge 2 contains approximately 17.2 lb (7.8 kg) of propellant in five increments. All increments are encased in a light blue combustible cloth sack that is held closed by a velcro strap. This outer bag has a bright red igniter pad sewn into it that contains 2.8 oz (80 g) of NC/200 propellant and 0.6 oz (17 g) of G20 powder. All five increments, labeled charge 3 through 7 are individually wrapped and color coded.

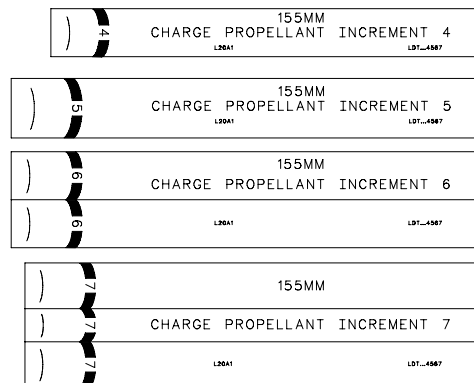
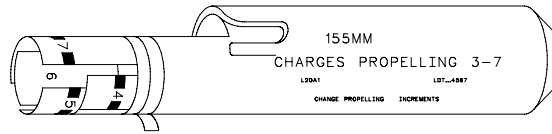
Charge 3 consists of approximately 3.1 lb (1.4 kg) of K06 stick propellant divided into two equal bundles and sealed in a gray cloth bag.

Charge 4 contains approximately 1.3 lb (0.6 kg) of NO6 stick propellant sealed in an orange colored cloth bag.

Charge 5 is approximately 1.3 lb (0.6 kg) of N/S 33-10 propellant wrapped in lead foil and sealed in a green cloth bag. In the center of this charge is a cotton bag filled with inhibitor containing 25.4 oz (720 g) of potassium sulfate with calcium phosphate added.

Charge 6 consists approximately 3.3 lb (1.5 kg) of N/S 33-10 stick propellant divided into three equal bundles, each of which is rapped in lead foil and sealed in a beige colored cloth bag.

The lead foil wrapping is used in charges 6, 6 and 7 to prevent copper build-up in the tube of the weapon. The flash inhibitor in charge 5 limits breach flareback as well as muzzle flash and blast overpressure.



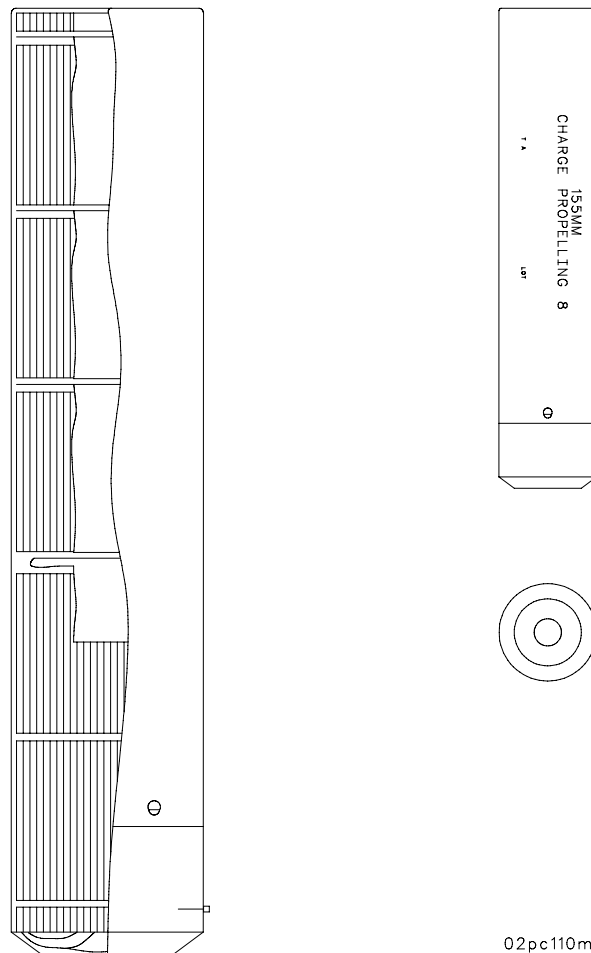
02pc105m

6-4 PROPELLING CHARGES - CONTINUED

WARNING

L10A1 can only be fired in the M284 cannon with the M549A1, HERA and M825, SmK, WP projectiles. Failure to comply with this warning could result in serious injury or death.

- f. Charge, Propelling, 155mm L10A1, Cartridge. Cartridge 3 consists of a single increment, rigid combustible case charge, containing approximately 27.9 lb (12.7 kg) of NBQ/sP/S stick propellant. The rear section (cap end) contains a bright red igniter bag with 2.4 oz (68 g) of NC/200 propellant and 0.6 oz (17 g) of G20 powder. In the forward end, the propellant is sheathed in lead foil to reduce coppering in the gun tube.



APPENDIX A

REFERENCES

A-1 SCOPE.

This appendix lists all forms, field manuals, technical bulletins, and technical manuals referenced in this manual.

A-2 FORMS.

Recommended Changes to Publications and Blank Forms	DA Form 2028
Hand Receipt	DA Form 2062
Equipment Inspection and Maintenance Worksheet	DA Form 2404
Maintenance Request	DA Form 2407
Weapons Record Data	DA Form 2408-4
Equipment Inspection and Maintenance Worksheet	DA Form 5988-E
Product Quality Deficiency Report	SF Form 368

A-3 FIELD MANUALS.

NBC Contamination Avoidance	FM 3-3 (Superseded by FM 3-11.3)
NBC Protection	FM 3-4 (Superseded by FM 3-11.4)
NBC Decontamination	FM 3-5 (Superseded by FM 3-11.5)
Field Artillery Gunnery (Cannon)	FM 6-40
Field Artillery Cannon Battery	FM 6-50
Operations and Maintenance of Ordnance Materiel in Cold Weather	FM 9-207
First Aid for Soldiers	FM 4-25.11
Driver Selection, Training, and Supervision, Tracked Combat Vehicles	FM 21-17
Manual for Tracked Combat Vehicle Driver	FM 21-306
Basic Cold Weather Manual	FM 31-70

A-4 TECHNICAL BULLETINS.

Occupational and Environmental, Health, Hearing Conservation	PAM 40-501
Munitions: Suspended or Restricted	TB 9-1300-385
Additional Vehicle Armor	TB 9-2350-314-10
Warranty Program for Paladin Digital Fire Control System (PDFCS)	TB 9-2350-314-20-2-3

A-5 TECHNICAL MANUALS.

Operator's Manual for Decontamination Kit, Individual Equipment: M295	TM 3-4230-235-10
Operator's Manual for Projectile 155MM, GB2, M687	TM 3-1320-242-10
Operator's and Organizational Maintenance Manual Including Repair Parts and Special Tools List for Decontaminating Apparatus, Portable, 14 Liter, M13	TM 3-4230-214-12&P
Operator's Manual for Decontaminating Kit, Skin: M258A1 (NSN 4230-01-101-3984) and Training Aid Skin Decontaminating: M58A1 (6910-01-101-1768)	TM 3-4230-216-10
Operator's Manual for Mask, Chemical-Biological: Aircraft, ABC-M24 and Accessories and Mask, Chemical-Biological, Tank, M25A1 and Accessories (Reprinted w/Basic Incl C1-2)	TM 3-4240-280-10

A-5 TECHNICAL MANUALS - CONTINUED

Operator's and Direct Support Maintenance Manual Including Repair Parts and Special Tools List, Chemical Agent Monitoring System (CAM) (NSN 6665-01-199-4153) ... TM 3-6665-327-13&P

Evaluation of Cannon Tubes TM 9-1000-202-14

Operator's Manual: Machine Gun, Cal. .50, Browning, M2, Heavy Barrel TM 9-1005-213-10

Organizational and Direct Support Maintenance Manual Including Repair Parts and Special Tools List for Extractor Assembly (1025-01-082-3586) TM 9-1025-212-23&P

Unit, Direct Support and General Support Maintenance Manual Including Repair Parts and Special Tools List Through Depot Level for Muzzle Velocity System, M93 . TM 9-1290-365-24&P

Ammunition and Explosives Standards TM 9-1300-206

Operator's Manual: (Hand Receipt), Howitzer, Medium, Self-Propelled 155MM M109A6 TM 9-2350-314-10-HR

General Maintenance Procedures for Fire Control Materiel TM 9-254

Operator's, Organizational, DS and GS Maintenance Manual for Lead-Acid Storage Batteries TM 9-6140-200-14

Unit Maintenance Manual, Artillery Ammunition for Guns, Howitzers, Mortars, Recoilless Rifles, and 40mm Grenade Launchers TM 9-1300-251-20&P

Direct Support and General Support, Artillery Ammunition for Guns, Howitzers, Mortars, Recoilless Rifles and 40mm Grenade Launchers TM 9-1300-251-34&P

Mounted Water Ration Heater TM 10-7310-241-12&P

Interphone Controls C-980/U and C-981/U and Intercommunication Set Controls C-980A/U TM 11-206

Maintenance Manual: Radio Set AN/VRC-89 TM 11-5820-890-10

Operator's Manual: Radio Set AN/VRC-89 TM 11-5820-890-10-1

Operator's Manual: Radio Set AN/VRC-89 (Pocket Size) TM 11-5820-890-10-2

Operator's and Maintenance Manual for Defense Advanced GPS Receiver (DAGR)
 Satellite Signals Navigation Set AN/PSN-13, AN/PSN-13A TM 11-5820-1172-13
 Satellite Signals Navigation Set AN/PSN-11 TM 11-5825-291-13

Operator's and Maintenance Manual for Precision Lightweight GPS Receiver, PLGR + 96 AN/PSN-11(V)1 TM 11-5825-291-13-1

Operator's and Unit Maintenance Manual, Vehicular Intercommunications Systems
 AN/VIC-3(V)-1 (NSN 5830-01-395-4177), AN/VIC-3(V)-2 (NSN 5830-01-395-7448),
 AN/VIC-3(V)-3 (NSN 5830-01-395-4091), AN/VIC-3(V)-4 (NSN 5830-01-395-4090),
 AN/VIC-3(V)-5 (NSN 5830-01-395-4092), AN/VIC-3(V)-6 (NSN 5830-01-395-4093),
 AN/VIC-3(V)-7 (NSN 5830-01-399-1892), AN/VIC-3(V)-8
 (NSN 5830-01-399-1893) TM 11-5830-263-10

Operator's and Organizational Maintenance Manual:
 Intercommunications Set AN/VIC-1(V) TM 11-5830-340-12

Operator's Manual for Viewers, Driver's Night Vision TM 11-5855-249-10

Army Ammunition Data Sheets for Artillery Ammunition:
 Guns, Howitzers, Mortars, Recoilless Rifles and Grenade Launchers TM 43-0001-28

Army Ammunitions: Cartridge/Projectile Fuse and Propelling Charges Combination Charts TM 43-0001-28-2

Procedures for Destruction of Equipment to Prevent Enemy Use TM 750-244-6

Operator and Field Maintenance Manual (Including Repair Parts and Special Tools Lists) for Fuze Setter Enhanced, Portable, Inductive, Artillery (EPIAFS), M115A1 (NSN 1290-01-536-5650), PN 13015264 TM 9-1290-211-13&P

A-6 MISCELLANEOUS PUBLICATIONS.

Malfunctions Involving Ammunition and Explosives AR 75-1

Accident Reporting and Records AR 385-40

Regulations for Firing Ammunition for Training, Target Practice, and Combat AR 385-63

Army Medical Department Expendable/Durable Items CTA 8-100

Expendable Items (Except Medical Class V Repair Parts and Heraldic Items) CTA 50-970

A-6 MISCELLANEOUS PUBLICATIONS - CONTINUED

Consolidated Index of Army Publications and Blank Forms	DA PAM 25-30
The Army Maintenance Management System (TAMMS)	DA PAM 750-8
Grease, Automotive and Artillery	MIL-PRF-10924
Grease, Molybdenum Disulfide	MIL-G-21164
Grease, General Purpose	MIL-G-23549
Grease, Aircraft and Instrument	MIL-G-23827
Hydraulic Fluid, Petroleum Base, Aircraft Missile and Ordnance	MIL-H-5606
Hydraulic Fluid, Petroleum Base, Preservative, Hydraulic Equipment	MIL-PRF-6083
Lubricating Oil, ICE, Tactical Service	MIL-PRF-2104
Lubricating Oil, Gear, Multi-Purpose	MIL-PRF-2105
Lubricating Oil, Internal Combustion Engine, Arctic	MIL-L-46167
Cleaner, Lubricant, Preservative	MIL-L-63460
Chemical Conversion Materials for Coating Aluminum and Aluminum Alloys	MIL-DTL-81706



APPENDIX B

COMPONENTS OF END ITEM (COEI) AND BASIC ISSUE ITEMS (BII) LISTS

Section I. INTRODUCTION

B-1 SCOPE.

This appendix lists components of the end item and basic issue items for the M109A6 howitzer to help you inventory the items for safe and efficient operation of the equipment.

B-2 GENERAL.

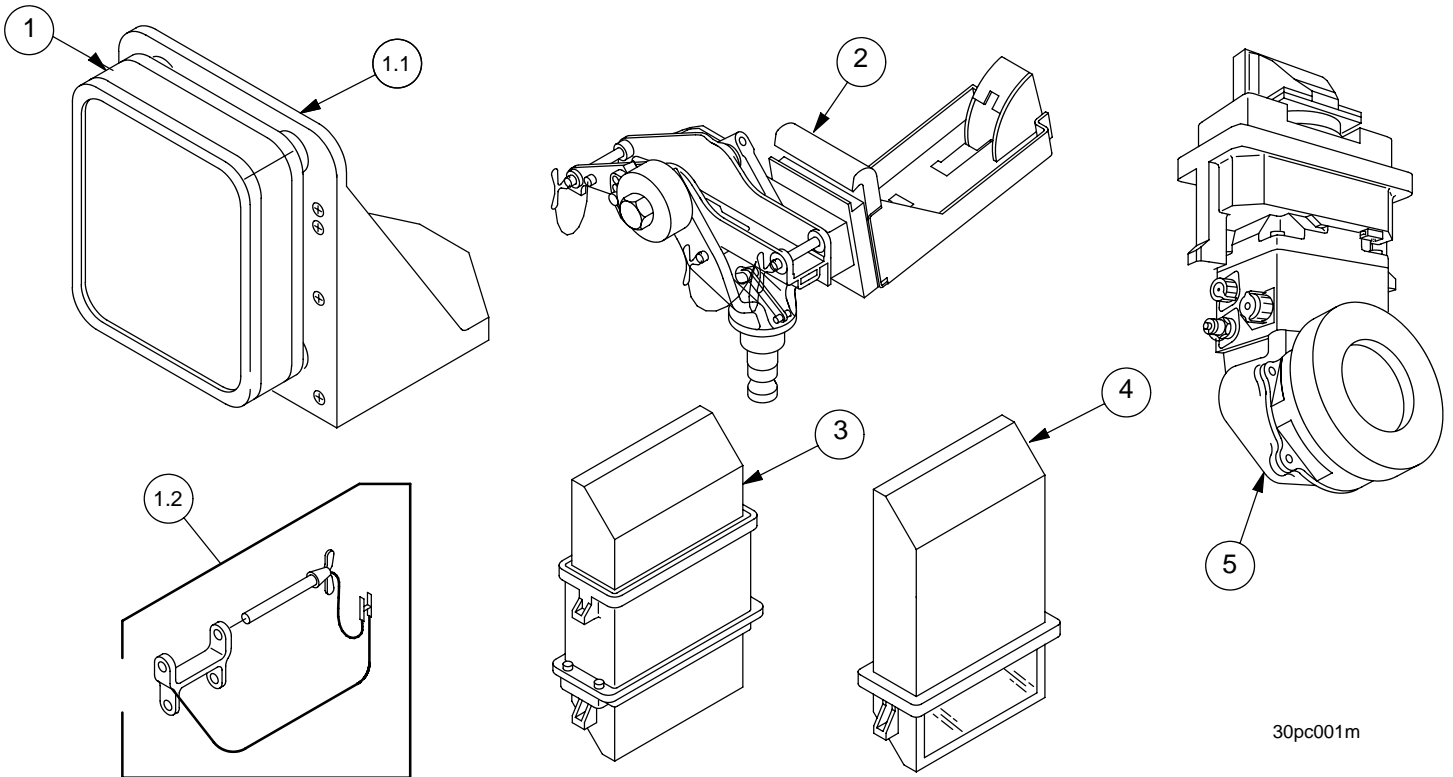
The Components of End Item (COEI) and Basic Issue Items (BII) Lists are divided into the following sections:

- a. Section II. Components of End Item. This listing is for information purposes only, and is not authority to requisition replacements. These items are part of the M109A6, but they are to be removed and separately packaged for transportation or shipment. As part of the end item, these items must be with the end item whenever it is issued or transferred between property accounts. Illustrations are furnished to help you find and identify the items.
- b. Section III. Basic Issue Items. These essential items are required to place the M109A6 in operation, operate it, and to do emergency repairs. Although shipped separately packaged, BII must be with the M109A6 during operation and when it is transferred between property accounts. Listing these items is your authority to request/requisition them for replacement based on authorization of the end item by the TOE/MTOE. Illustrations are furnished to help you find and identify the items.

B-3 EXPLANATION OF COLUMNS.

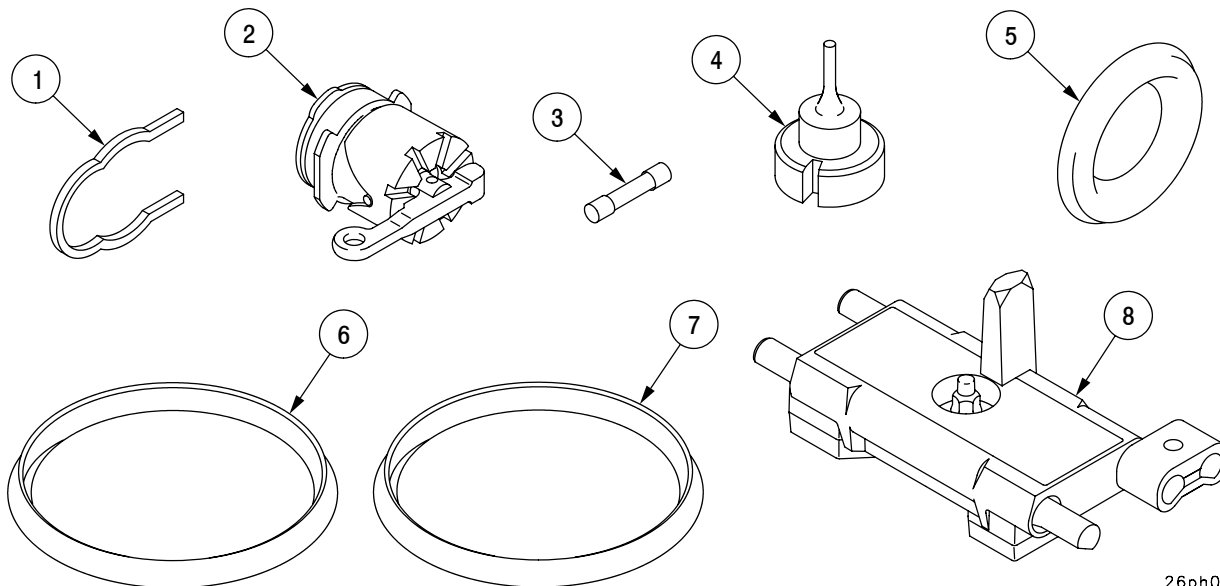
- a. Illustration Item Number--Column 1. Indicates the callout number used to reference the item in the illustration.
- b. National Stock Number--Column 2. Indicates the National Stock Number assigned to the item which will be used for requisitioning.
- c. Description--Column 3.
 - (1) Part Number. Description and Usable On Code, identifies the Federal item name followed by a minimum description when needed. The last line below the description is the CAGEC (Commercial And Government Entity Code) (in parentheses) and the part number.
- d. Unit of Issue (U/I)--Column 4. This column indicates how the item is issued for the National Stock Number shown in column 2.
- e. Quantity Required (Qty. Req'd.)--Column 5. This column lists the quantity of each item required for a complete major item.

Section II. COMPONENTS OF THE END ITEM



(1) Illus Number	(2) National Stock Number	(3) Description CAGEC and Part Number	Usable On Code	(4) U/I	(5) Qty Reqd
1		ANTENNA, PMVS (PDFCS only - right cab wall above PCU-2) (19200) 12999104		EA	1
1.1		BRACKET, ANTENNA, PMVS (PDFCS only - right cab wall above PCU-2) (19200) 12999105		EA	1
1.2	1025-01-202-0418	ARM, ADAPTER, Machine Gun Mount (in mount on cupola) (19200) 12011777		EA	1
2	1010-01-502-7547	MOUNT, MACHINE GUN, MK93 (in mount on cupola) (19200) 13001175		EA	1
3	6650-01-419-5954	PERISCOPE, AND SHROUD ASSY (in driver's compartment periscope sleeves) (19200) 12927749		EA	3
4	1240-00-344-4643	PERISCOPE, M27 (chief of section) (in cupola persicope sleeve) (19200) 7633132		EA	1
5	5855-01-235-5489	VIEWER, INFRARED, NIGHT DRIVING (in stowage brackets driver's compartment) (54490) 5005820		EA	1

**Section II. COMPONENTS OF THE END ITEM - CONTINUED
ON-BOARD SPARES**

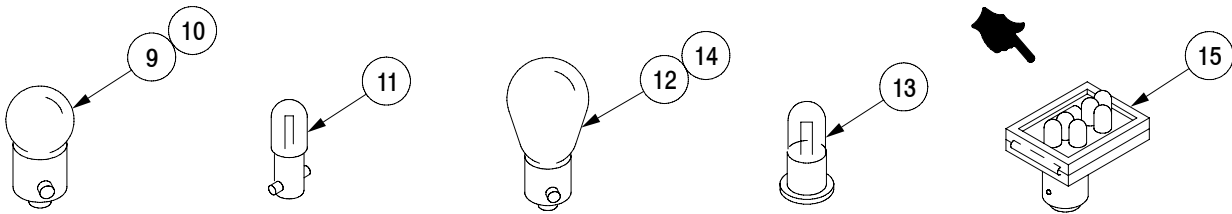


26ph001m

(1) Illus Number	(2) National Stock Number	(3) Description CAGEC and Part Number	(4) Usable On Code	(5) U/I Qty Reqd
*1	5340-01-368-9993	CLIP, RETAINING (cab rear stowage box) (19206) 11580634	EA	5
*2	1025-01-292-0960	FIRING MECHANISM, M49 (cab rear stowage box) (19206) 11580122	EA	1
*3	5920-00-228-7882	FUSE, CARTRIDGE (in fuse holder of PLGR mount or DAGR mount (81349) F02B250V2A	EA	1
*4	1025-00-361-1349	PIN, FIRING (cab rear stowage box) (19206) 11580504	EA	3
*5	1025-01-012-8271	RING, OBTURATOR, PAD (cab rear stowage box) (19206) 11578862	EA	1
*6	5365-00-861-1468	RING, RETAINING, REAR (cab rear stowage box) (19206) 8767140	EA	1
*7	5365-00-861-1467	RING, RETAINING, FRONT (cab rear stowage box) (19206) 8767139	EA	1
*8	2530-01-346-9233	TRACK SHOE, VEHICULAR (top left front hull, exterior) (19207)12268550-1	EA	4

* Designated as on-board spares which must accompany the end item in indicated quantities.

**Section II. COMPONENTS OF THE END ITEM - CONTINUED
ON-BOARD SPARES - CONTINUED**

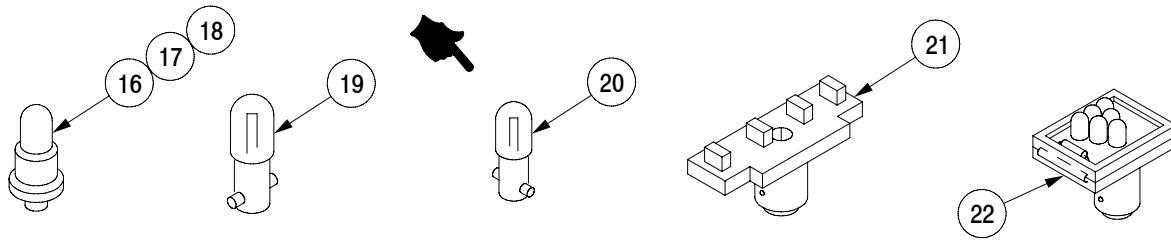


26ph002ma

(1) Illus Number	(2) National Stock Number	(3) Description CAGEC and Part Number	(4) Usable On Code	(5) U/I Qty Reqd
*9	6240-00-019-0877	LAMP, INCANDESCENT elec 3cp 24-28V,10 No. 1251 (service taillight) (in spare bulb box) (96906) MS15570-1251	EA	2
*10	6240-00-019-3093	LAMP, INCANDESCENT elec 6cp 24-28V, No. 623 (in spare bulb box) (dome lights) (96906) MS15570-623	EA	2
*11	6240-00-155-8714	LAMP, INCANDESCENT elec 17 amp 24-28V, No. 313 (instrument panel/portable instrument panel/enclosure assembly) (in spare bulb box) (96906) MS25231-313	EA	2
*12	6240-00-044-6914	LAMP, INCANDESCENT No. 1683 (in spare bulb box) (service brake light) (96906) MS35478-1683	EA	1
*13	6240-00-019-0878	LAMP, INCANDESCENT elec 3V, No. 323 (in spare bulb box) (M3 Heater) (81348) W-L-00111/50	EA	2
*14	6240-00-295-2668	LAMP, INCANDESCENT No. 1691 (in spare bulb box) (Dome lights) (96906) MS 35478-1691	EA	2
*15	6240-01-290-9346	LIGHT, MARKER, elec 28V (in spare bulb box) (19207) 12360860-2 (B.O. marker front)	EA	1

* Designated as on-board spares which must accompany the end item in indicated quantities.

**Section II. COMPONENTS OF THE END ITEM - CONTINUED
ON-BOARD SPARES - CONTINUED**

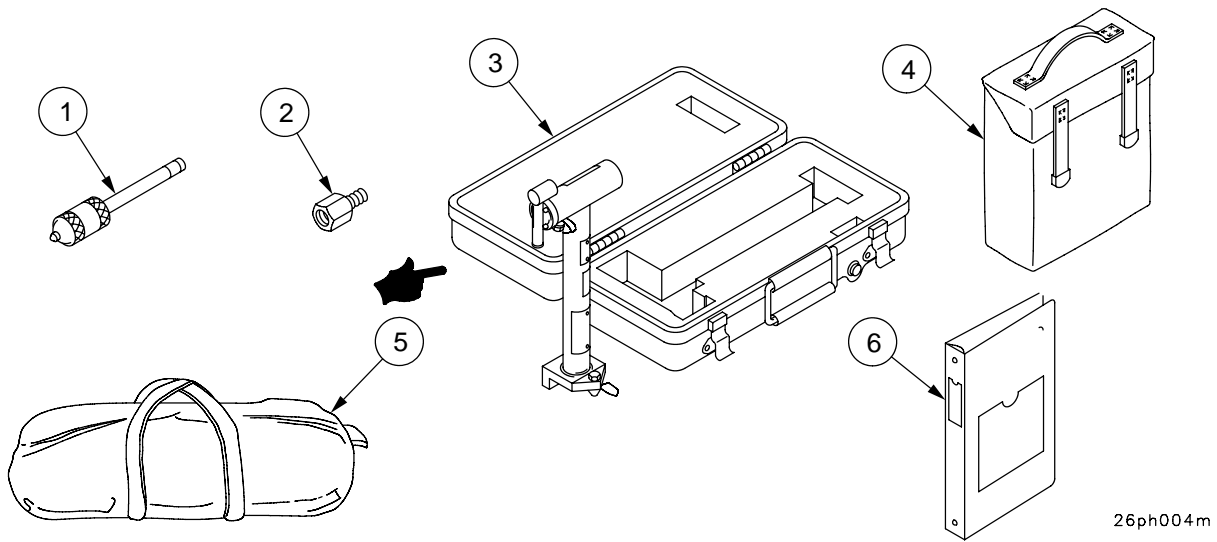


26ph003ma

(1) Illus Number	(2) National Stock Number	(3) Description CAGEC and Part Number	(4) Usable On Code	(5) U/I Qty Reqd
*16	5980-01-285-6689	LED, T1-3/4 BASED (red) (in spare bulb box) (19207) 12360905-1 (voltage regulator control box/hydraulic control box/AFES/ panoramic telescope/accessory control box, brake warning light/gunner's selection switch box)	EA	6
*17	5980-01-289-5274	LED, T1-3/4 BASED (yellow) (in spare bulb box) (19207) 12360905-2 (Hydraulic control box/ M145A1 mount/accessory control box)	EA	4
*18	5980-01-281-5356	LED, T1-3/4 BASED (green) (in spare bulb box) (19207) 12360905-3 (AFES/travel lock control box)	EA	10
*19	5980-01-285-6688	LED, T3-1/4 BASED (red) (in spare bulb box) (19207) 12360890-1 (driver's portable/instrument panel/accessory control box/ crew compartment warning light)	EA	4
*20	6240-01-284-1925	LAMP, INCANDESCENT, HALOGEN elec 28V (in spare bulb box) (19207) 12360840-1 (B.O./Drive)	EA	1
*21	6220-01-284-2709	LIGHT, MARKER elec 28V (blackout/tail/stop combo) (in spare bulb box (19207) 12360850-1	EA	1
*22	6220-01-297-3217	STOP LIGHT, VEHICULAR (blackout tail and stop combination) (in spare bulb box) (19207) 12360870-2	EA	1

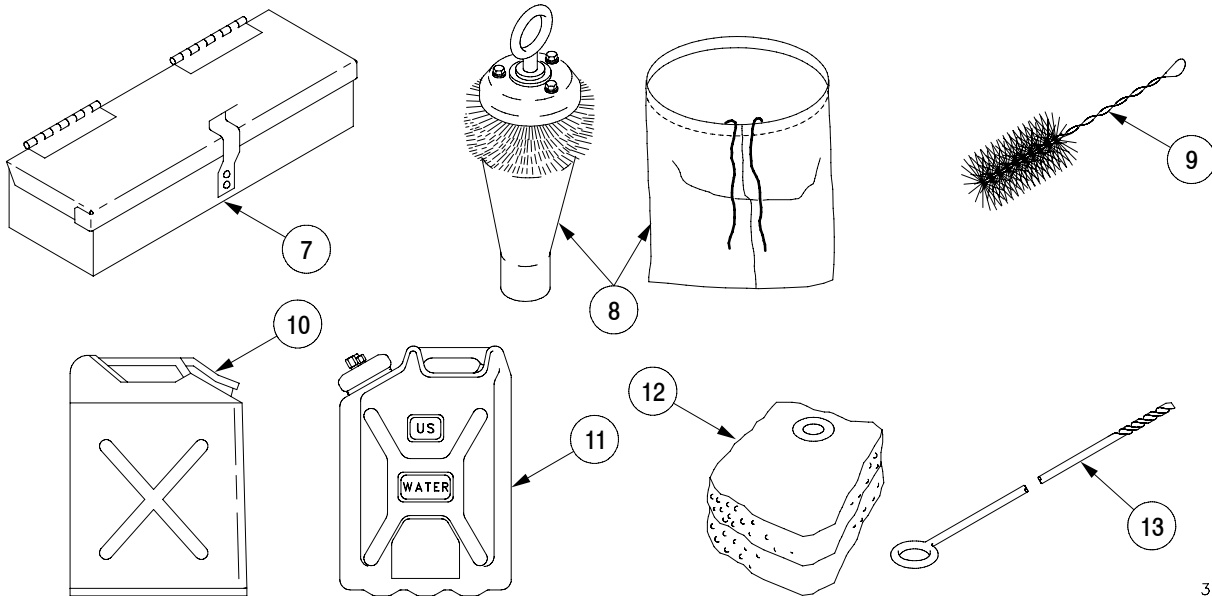
* Designated as on-board spares which must accompany the end item in indicated quantities.

Section III. BASIC ISSUE ITEMS



(1) Illus Number	(2) National Stock Number	(3) Description CAGEC and Part Number	(4) Usable On Code U/I	(5) Qty Reqd
1	4930-00-204-2550	ADAPTER,GREASE GUN, thin stem (in tool bag) (19207)5349744	EA	1
2	4933-00-087-1267	ADAPTER, GUN, OIL FILLING (in tool bag) (19207) 11635708	EA	1
3	4931-01-472-7329	ALIGNMENT DEVICE, M140A1 WITH CASE (inside cab side door) (19200) 12984665	EA	1
4	2540-00-670-2459	BAG ASSEMBLY, PAMPHLET (cab stowage) (19207) 7961712	EA	1
5	5140-00-473-6256	BAG, TOOL, SATCHEL (in cab rear stowage box) (19207) 11655979	EA	1
6	7510-00-889-3494	BINDER, LOOSE LEAF (in pamphlet bag) (19207) 11677003	EA EA	1 1

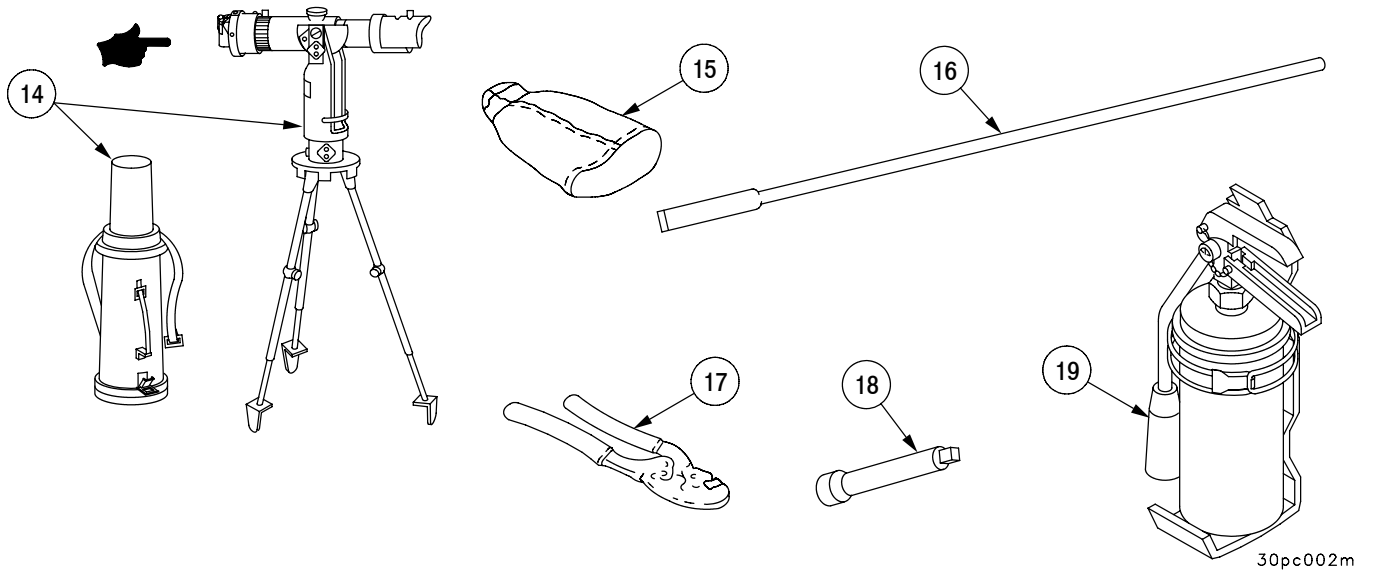
Section III. BASIC ISSUE ITEMS - CONTINUED



30pc003m

(1) Illus Number	(2) National Stock Number	(3) Description CAGEC and Part Number	Usable On Code	(4) U/I	(5) Qty Reqd
7	2540-00-906-4741	BOX ASSEMBLY, SPARE BULB (in driver's compartment) (19207) 10870949		EA	1
8	1025-01-196-2176	BRUSH AND BAG ASSEMBLY (in rear stowage box) (27412) 155-110-401		EA	1
9	4933-00-730-7183	BRUSH, CLEANING, PRIMER (in tool bag) (19206) 7307183		PK	1
10		CAN, FUEL, MIL TYPE 5 GAL. (right front/side cab wall exterior) (81349) (MIL-C-53109)		EA	2
	7240-01-337-5268	TAN			
	7240-01-337-5269	GREEN			
11		CAN, WATER MILITARY 5 GAL (on left cab wall exterior) (81349) MIL-C-43613		EA	4
	7240-00-089-3827	TAN			
	7240-01-365-5317	GREEN			
12	1025-01-232-6822	CHAMBER SWAB, 155 MM (in oddment tray) (27412) 155 CS		EA	1
13	4933-00-601-9667	CLEANING TOOL, VENT (in tool bag) (19206) 6019667		EA	1

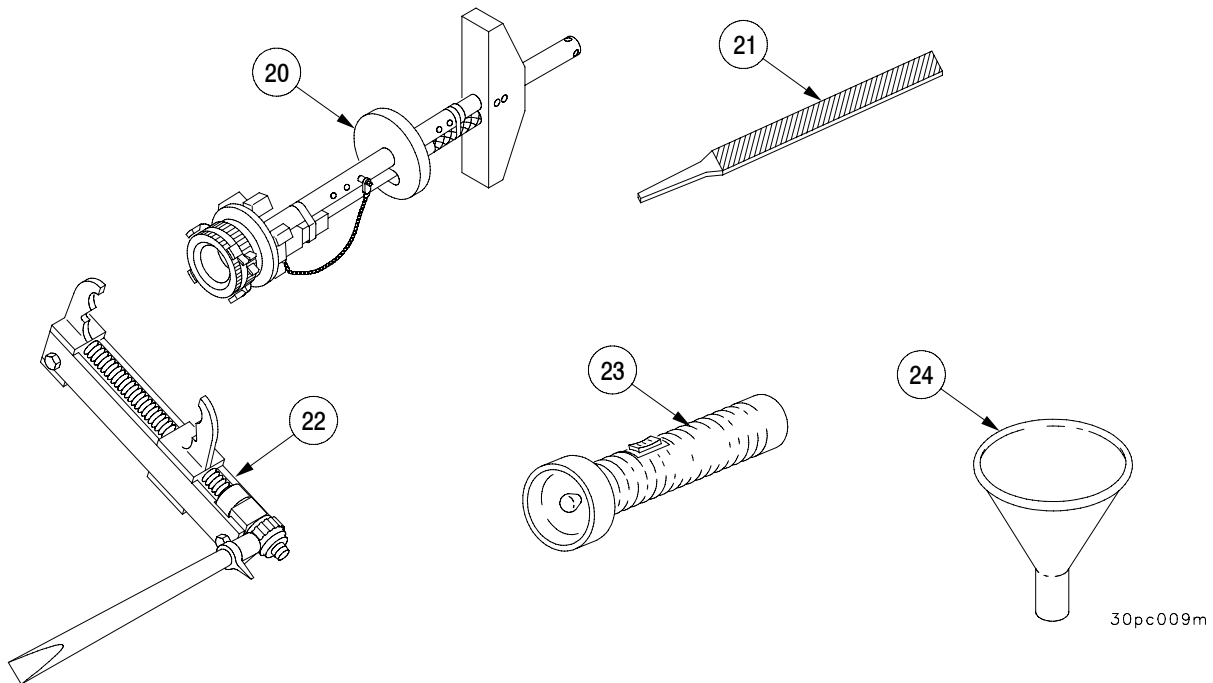
Section III. BASIC ISSUE ITEMS - CONTINUED



30pc002m

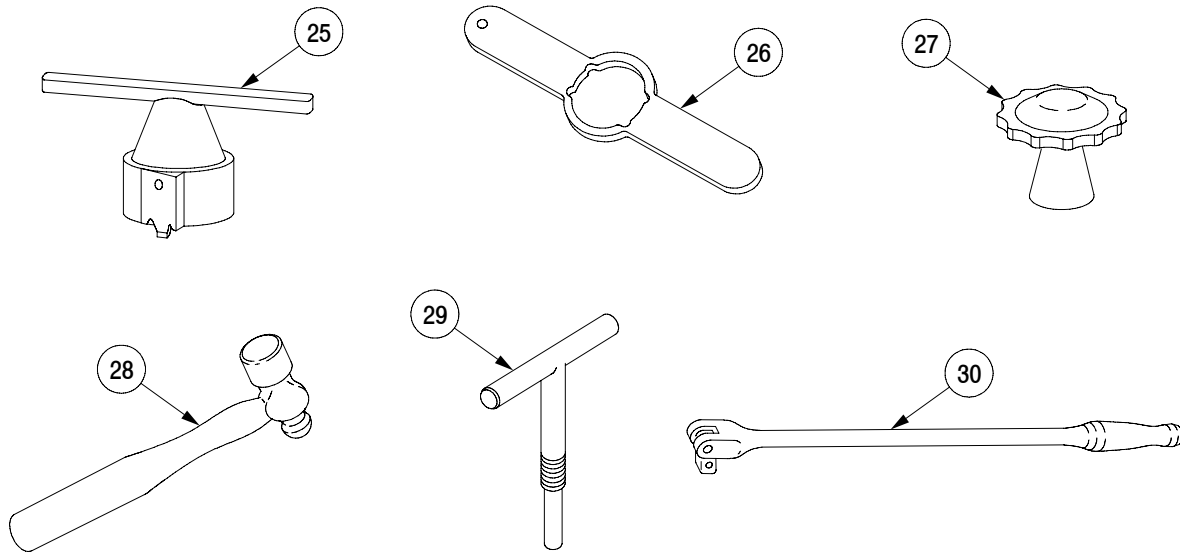
(1) Illus Number	(2) National Stock Number	(3) Description CAGEC and Part Number	(4) Usable On Code	(5) U/I Qty Reqd
14	1240-01-465-5452	COLLIMATOR, INFINITY AIMING REFERENCE M1A2 (in left exterior stowage basket) (19200) 12984644	EA	1
15	1025-01-054-5781	COVER, MUZZLE BRAKE, SEWN (on howitzer muzzle brake) (19206) 11579522	EA	1
16	5120-00-224-1390	CROWBAR, pinch point, 5 ft lg 1-1/4 in. wd (on right cab wall exterior) (80064) 1833244	EA	1
17	5110-00-595-8229	CUTTER, WIRE ROPE, HAND (in tool bag) (19207) 11655981	EA	1
18	5120-00-243-7326	EXTENSION, SOCKET WRENCH 1/2 in. dr, 5 in. lg (in tool bag) (80372) 41B311200	EA	1
19	4210-01-388-7854	EXTINGUISHER, FIRE, PORTABLE, CO2 2.50 lb (hull rear door/front post interior) (58536) A52471-1-S	EA	2

Section III. BASIC ISSUE ITEMS - CONTINUED



(1) Illus Number	(2) National Stock Number	(3) Description CAGEC and Part Number	Usable On Code	(4) U/I	(5) Qty Reqd
20	1025-01-082-3586	EXTRACTOR, PROJECTILE ASSEMBLY (on right hull wall above sponson interior) (19200) 9305465		EA	1
21	5110-00-156-0059	FILE, HAND smooth, 10 in. lg (in tool bag) (58536) A-A-2313		EA	1
22	5120-00-605-3926	FIXTURE, TRACK CONNECTOR (with bar lever) 7077695 (on left front cab wall exterior) (19207) 8741739		EA	2
23	6230-00-264-8261	FLASHLIGHT (on left cab wall interior and driver's compartment) (21108) MX-991/U		EA	4
24	7240-00-527-9868	FUNNEL, 1 QT CAP., W/STRAINER (in rear cab stowage) (58536) A-A-1066		EA	1

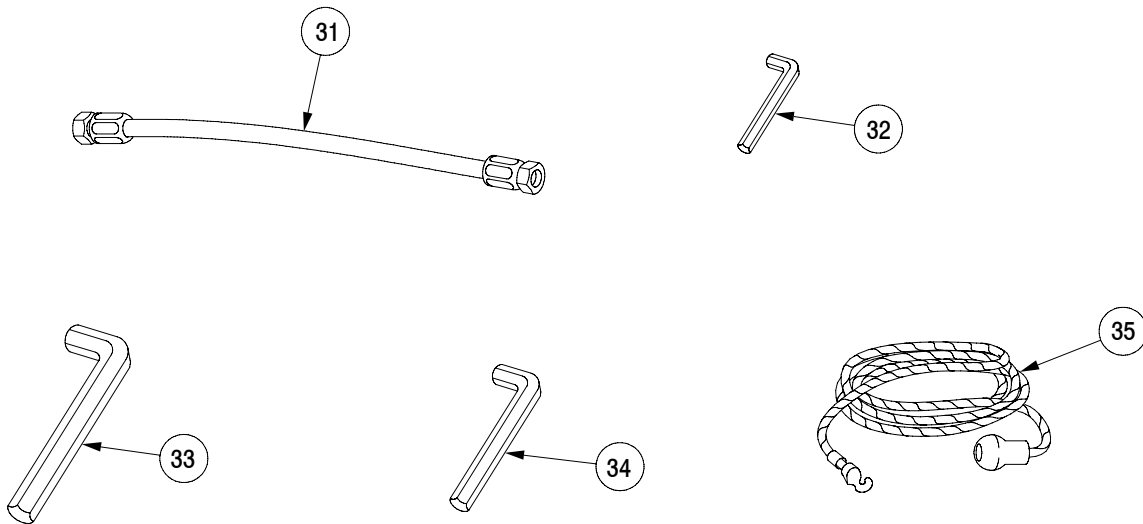
Section III. BASIC ISSUE ITEMS - CONTINUED



30pc004m

(1) Illus Number	(2) National Stock Number	(3) Description CAGEC and Part Number	(4) Usable On Code U/I	(5) Qty Reqd
25	1290-00-764-7761	FUZE SETTER, M27 (on left cab wall interior) (19200) 7647761	EA	1
26	1290-00-078-4367	FUZE SETTER, M34 (on left cab wall interior) (19200) 11747300	EA	1
27	1290-00-201-3507	FUZE SETTER, M35 (on left cab wall interior) (19200) 11729019	EA	1
28	5120-00-061-8546	HAMMER, HAND machinist's 2 lb ball peen (in tool bag) (55719) BPN32A	EA	1
29	5340-01-318-0197	HANDLE, MANUAL, T-HANDLE (in tool bag) (19200) 9399097	EA	1
30	5120-00-236-7590	HANDLE, SOCKET, WRENCH hinged, 1/2 in. dr, 17 in. lg (in tool bag) (19207) 11655786-1	EA	1

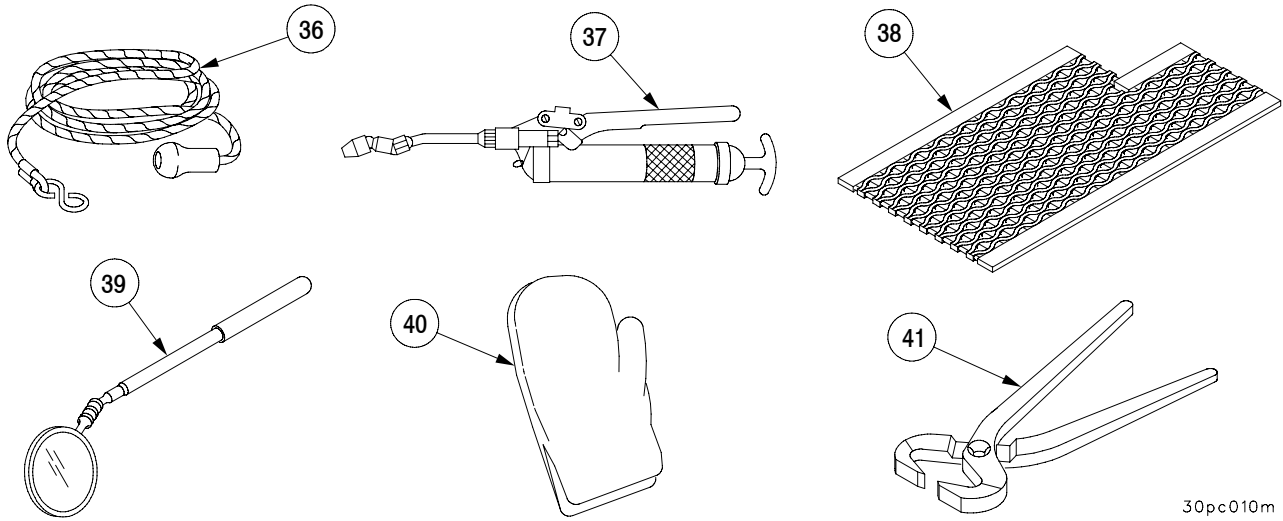
Section III. BASIC ISSUE ITEMS - CONTINUED



30pc005m

(1) Illus Number	(2) National Stock Number	(3) Description CAGEC and Part Number	(4) Usable On Code U/I	(5) Qty Reqd
31	4720-00-289-6335	HOSE ASSEMBLY, NONMETALLIC (used w/M3 oil gun) (in cab rear stowage box) (96906) MS28741-4-0160	EA	1
32	5120-00-240-5300	KEY, SOCKET HEAD SCREW 3/16 in. (in tool bag) (64959) 8223516	EA	1
33	5120-00-198-5390	KEY, SOCKET HEAD SCREW 3/8 in. (in tool bag) (80064) 1940722	EA	1
34	5120-00-240-5274	KEY, SOCKET HEAD SCREW 5/16 in. (in tool bag) (10001) 1112876	EA	1
35	1095-00-600-6780	LANYARD, 6 ft lg (in oddment box) (19206) 6006780	EA	1

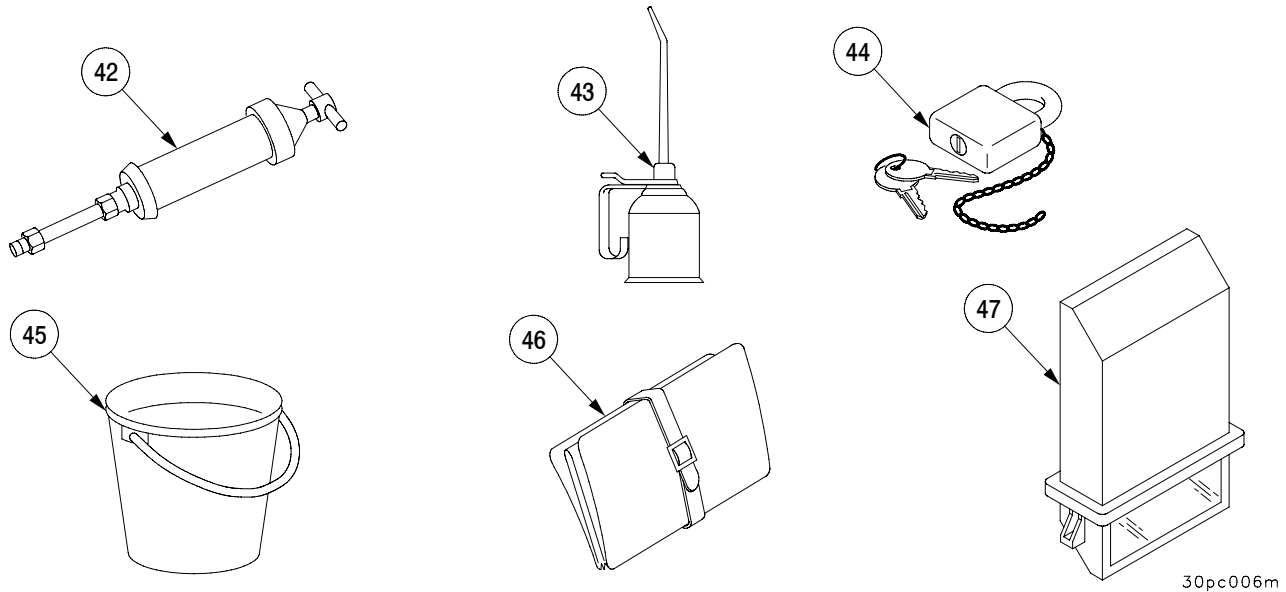
Section III. BASIC ISSUE ITEMS - CONTINUED



30pc010m

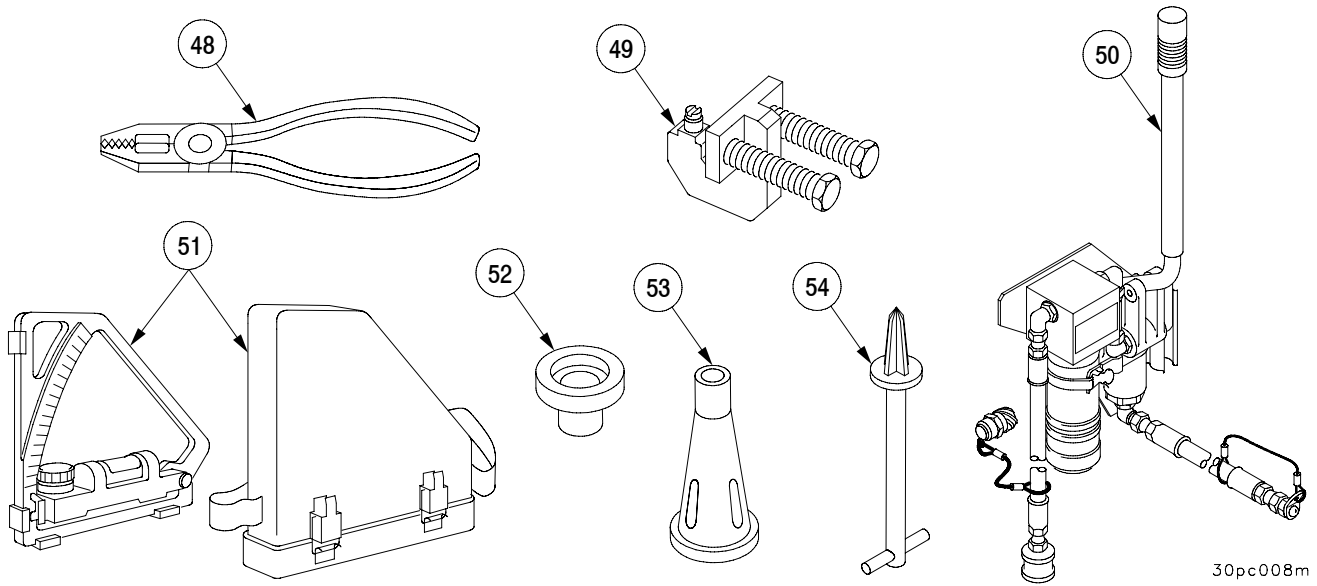
(1) Illus Number	(2) National Stock Number	(3) Description CAGEC and Part Number	Usable On Code	(4) U/I	(5) Qty Reqd
36	4020-00-610-9018	LANYARD, 50 ft lg (in oddment box) (19204) 6109018		EA	1
37	4930-00-766-3545	LUBRICATING GUN, HAND high pressure (in tool bag) (36251) 102758		EA	1
38	2540-01-298-8449	MAT, FLOOR (on vehicle floor) (19207) 12352892		EA	2
39	5120-01-278-8257	MIRROR, INSPECTION (in tool bag) (81348) GGG-M-350		EA	1
40	8415-01-092-0039	MITTEN, HEAT PROTECTIVE pair M1942 (in oddment tray) (81349) MIL-M-11199F		EA	2
41	5110-00-221-1499	NIPPERS, END CUTTING (in tool bag) (81348) GGG-N-350		EA	1

Section III. BASIC ISSUE ITEMS - CONTINUED



(1) Illus Number	(2) National Stock Number	(3) Description CAGEC and Part Number	(4) Usable On Code	(5) U/I Qty Reqd
42	4930-00-550-6661	OIL GUN, PNEUMATIC (fluid direct delivery, M3) (in cab rear storage box) (19204) 5506661	EA	1
43	4930-00-262-8868	OILER, HAND STEEL, PUMP (on rear hull door interior) TYPE, 1 pt, spout, 9 in. lg (72798) 328	EA	1
44	5340-00-158-3805	PADLOCK SERIES 200 (on rear hull door exterior) (81349) MIL-P-17802	EA	1
45	7240-00-160-0455	PAIL, UTILITY 14 qt (on vehicle floor) (58536) A-A-1273	EA	1
46	8345-00-174-6865	PANEL MARKER SIGNAL, GROUND TO AIR (in cab rear stowage box) (81349) MIL-P-40061 AMEND 1	EA	2
47	1240-00-344-4643	PERISCOPE, M27 (chief of section) (stowage box cab wall interior) (19200) 7633132	EA	1

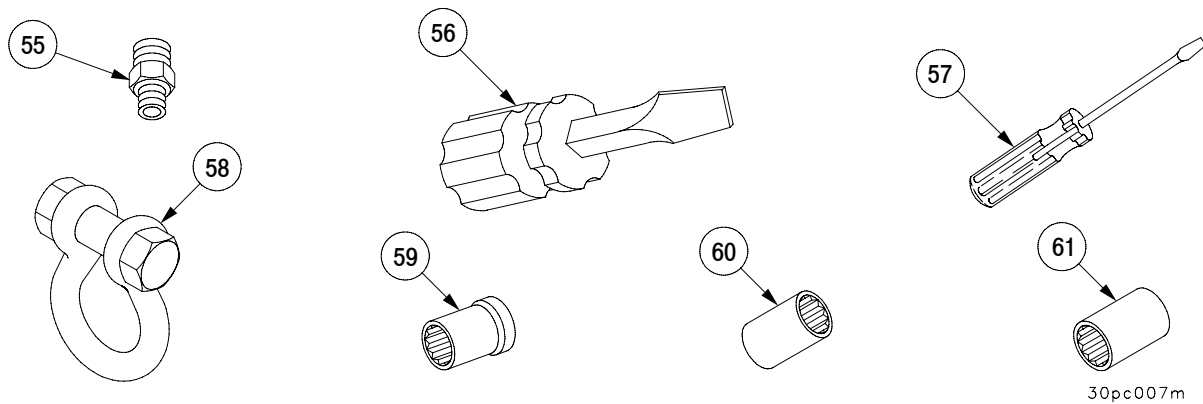
Section III. BASIC ISSUE ITEMS - CONTINUED



30pc008m

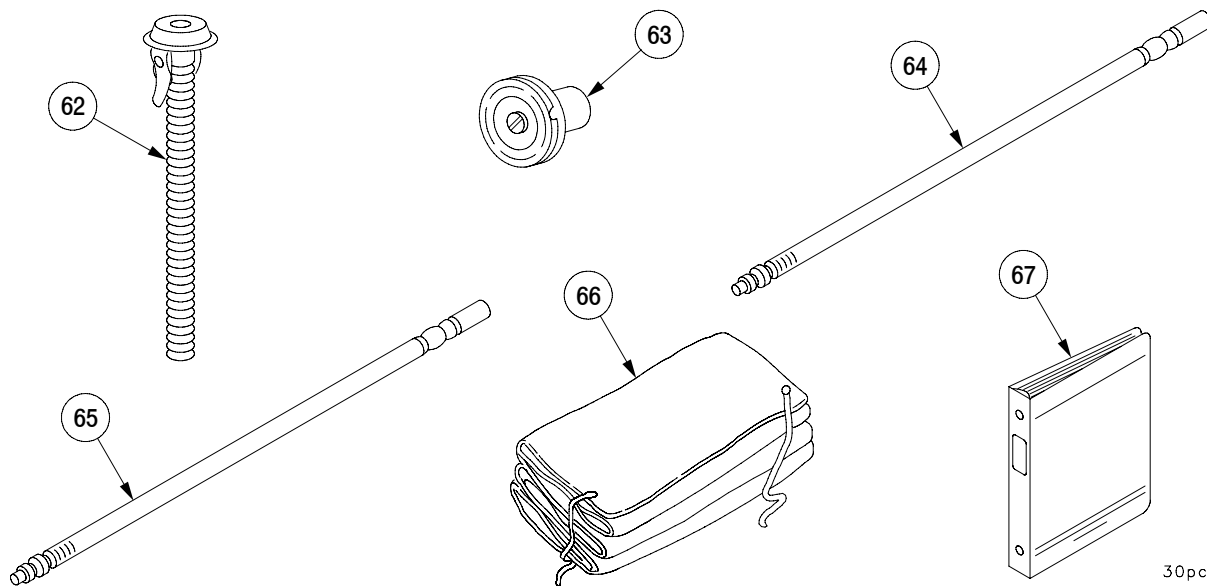
(1) Illus Number	(2) National Stock Number	(3) Description CAGEC and Part Number	(4) Usable On Code U/I	(5) Qty Reqd
48	5120-00-239-8251	PLIERS, LINEMANS SIDE CUTTING 8 in. lg (in tool bag) (95683) 41P1839	EA	1
49	5180-01-477-8120	PULLER, CONNECTOR, TRACK (in tool bag) (19207) 57K3254	EA	1
50	4320-01-384-9477	PUMP, HAND (fluid, direct delivery) (19200) 12927638 (Stowage box in left stowage basket)	EA	1
51	1290-00-891-9999	QUADRANT, FIRE CONTROL gunner's M1A1 w/case (in cab side stowage box) (19200) 7197156	EA	1
52	1030-00-730-7416	RAMMER, LOADING M13 (in cab rear stowage box) (19206) 7307416	EA	1
53	1025-00-860-5443	RAMMER, ARTILLERY, UNLOADING (in cab rear stowage box) (19206) 8767210	EA	1
54	5110-01-026-5253	REAMER ASSEMBLY (in tool roll 7964537) (19206) 11578743	EA	1

Section III. BASIC ISSUE ITEMS - CONTINUED



(1) Illus Number	(2) National Stock Number	(3) Description CAGEC and Part Number	(4) Usable On Code U/I	(5) Qty Reqd
55	4730-00-804-1907	REDUCER, TUBE (use w/M3 oil gun) (in cab rear stowage box) (96906) MS24399-4	EA	1
56	5120-00-596-8502	SCREWDRIVER, FLAT-TIP Special purpose, 1/4 in. tip w/blade 1-1/2 in. lg (in tool bag) (63653) 45-11465TW	EA	1
57	5120-00-236-2140	SCREWDRIVER, FLAT-TIP special purpose, 1/8 in. tip w/clip blade 2 in. lg (in tool bag) (32242) 49-11630	EA	1
58	4030-01-187-0964	SHACKLE, SAFETY ANCHOR (in cab rear stowage box) (19207) 12328579	EA	8
59	5120-00-237-0984	SOCKET, SOCKET WRENCH 1/2 in. dr. 12 pt x 1/2 in. opng (in tool bag) (58536) A-A-1399	EA	1
60	5120-00-189-7927	SOCKET, SOCKET WRENCH 1/2 in. dr, 12 pt x 1/2 in. opng (in tool bag) (19207) 11677025-7	EA	1
61	5210-00-189-7932	SOCKET, SOCKET WRENCH 1/2 in. dr, 12 in. pt x 9/16 in. opng (in tool bag) (19207) 11677025-1	EA	1

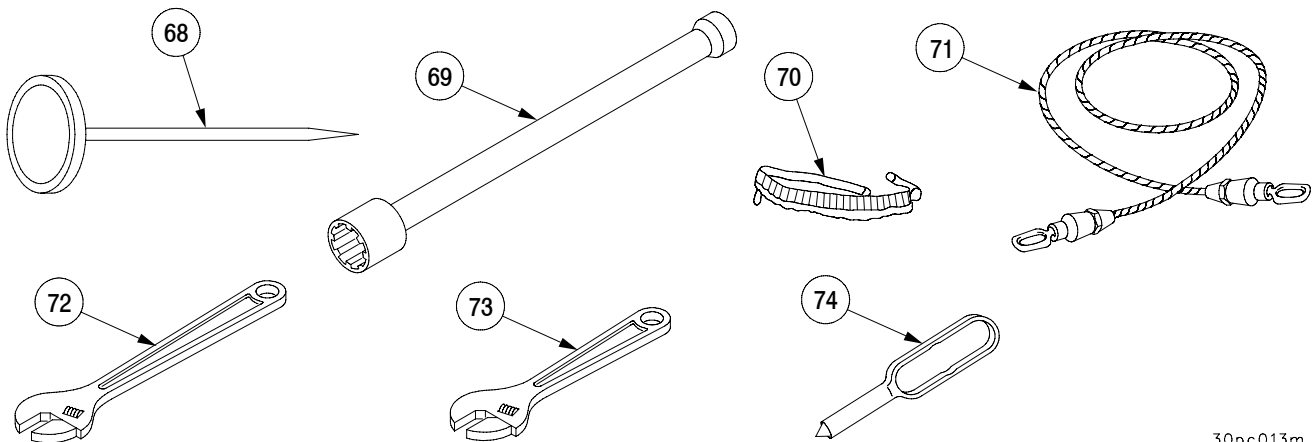
Section III. BASIC ISSUE ITEMS - CONTINUED



30pc011m

(1) Illus Number	(2) National Stock Number	(3) Description CAGEC and Part Number	(4) Usable On Code	(5) U/I Qty Reqd
62	7240-00-177-6154	SPOUT, CAN, FLEXIBLE W/FILTER SCREEN 2 1/2 IN. OD, 16 in. lg (in tool bag) (19207) 11677020	EA	1
63	1030-00-859-4511	STAFF SECTION, CLEANING (holder chamber swab sponge) (oddment tray) (19206) 8765688	EA	1
64	1025-01-044-2587	STAFF SECTION, CLEANING 24" lg (on right cab wall exterior) (19206) 11579227	EA	1
65	1025-00-563-7232	STAFF SECTION, CLEANING ARTILLERY M15A1 (on right cab wall exterior) (19206) 7309228	EA	7
66	2540-00-653-7589	TARPAULIN w/ropes (in cab rear stowage box) (19207) 6537589	EA	1
67		TECHNICAL MANUAL, OPERATOR'S (TM 9-2350-314-10) HOWITZER, MEDIUM, SELF-PROPELLED, 155mm M109A6 (in pamphlet bag)	EA	1

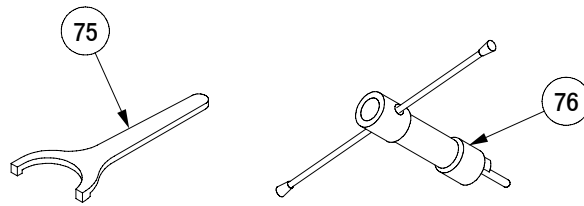
Section III. BASIC ISSUE ITEMS - CONTINUED



30pc013m

(1) Illus Number	(2) National Stock Number	(3) Description CAGEC and Part Number	(4) Usable On Code	(5) Qty Reqd
68	6685-00-344-4603	THERMOMETER, SELF-INDICATING BIMETALLIC, concentric dial, -80°F to 160°F (in small oddment tray interior left side cab floor) (81349) MILT3618C	EA	1
69	5120-01-352-5676	TOOL, CANISTER RETAINING (in cab rear stowage box) (19200) 12910438	EA	1
70	5340-00-860-5446	WEBBING, STRAP, (PRIMER M8) (in right cab stowage box) (19206) 8767215	EA	1
71	4010-01-041-9752	WIRE ROPE ASSEMBLY towing cable 1-1/8 in. x 15 ft lg (on top of cab) (19207) 7360553-1	EA	1
72	5120-00-264-3796	WRENCH, ADJUSTABLE single end, 15/16, 12 in. lg (in tool bag) (19207) 11655778-5	EA	1
73	5120-00-240-5328	WRENCH, ADJUSTABLE single end, 15/16, 8 in. lg (in tool bag) (92878) 1500559	EA	1
74	4933-00-723-1161	WRENCH, FUZE SETTER M18 (on left cab wall interior) (19206) 7231161	EA	1

Section III. BASIC ISSUE ITEMS - CONTINUED



30pc014m

(1) Illus Number	(2) National Stock Number	(3) Description CAGEC and Part Number	(4) Usable On Code	(5) Qty Reqd
75	5120-00-293-0206	WRENCH, SPANNER (in tool bag) (81348) GGG-W-665	EA	1
76	5120-00-446-3750	WRENCH, SPANNER obturator nut (in tool roll 7964537) (19206) 8769014	EA	1

APPENDIX C

ADDITIONAL AUTHORIZATION LIST

Section I. INTRODUCTION

C-1 SCOPE.

This appendix lists additional items authorized for the support of the M109A6 howitzer.

C-2 GENERAL.

This list identifies items that do not have to accompany the M109A6 howitzer and that do not have to be turned in with it. These items are all authorized to you by CTA, MTOE, TDA, or JTA.

C-3 EXPLANATION OF LISTING.

National Stock Numbers, descriptions, and quantities are provided to help identify and request the additional items required to support this equipment.

Section II. ADDITIONAL AUTHORIZED ITEMS LIST

(1) NATIONAL STOCK NUMBER	(2) DESCRIPTION CAGEC & PART NUMBER USABLE ON CODE	(3) U/I	(4) QTY. RECM.
4930-00-288-1511	ADAPTER, GREASE GUN (in tool bag) (81349) MIL-L-4387	EA	1
5120-00-227-8088	ADAPTER SOCKET WRENCH 1/2 in.-3/4 in. (in tool bag) (58536) A-A-2172	EA	1
5110-00-293-2336	AXE, SINGLE BIT: 4-3/4 in. blade, (on left exterior cab wall) (19207) 6150925	EA	1
5120-00-526-6044	BAR, PINCH 1/2 inch x 11-7/8 in. lg (in tool bag) (19204) 5266044	EA	1
6135-01-090-5365	BATTERY, (NVD) (non-rechargeable) (in left side external stowage basket) (80058) BA-5567/U	EA	1
5140-00-261-4994	CARRIER, TOOL M1938 (in tool bag) (19207) 11655787	EA	1
5110-00-236-3272	CHISEL, COLD, HAND 3/4 in. X 8 in. lg (in tool bag) (81348) GGG-C-313	EA	1
1290-00-653-6513	COVER, AIMING POST (on top of cab) (19200) 6537993	EA	1
1025-00-557-6513	COVER, BRUSH (19206) 5576513	EA	1
4230-01-133-4124	DECONTAMINATING APPARATUS - M13 (on right exterior cab wall) (81361) E5-51-527	EA	1
5120-00-227-8074	EXTENSION, SOCKET WRENCH 1/2 in. dr x 10 in. lg (in tool bag) (19207) 11655788-1	EA	1

Section II. ADDITIONAL AUTHORIZED ITEMS LIST - CONTINUED

(1) NATIONAL STOCK NUMBER	(2) DESCRIPTION CAGEC & PART NUMBER USABLE ON CODE	(3) U/I	(4) QTY. RECM.
5120-00-227-8079	EXTENSION, SOCKET WRENCH 3/4 in. dr x 16 in. lg (in tool bag) (55719) L122	EA	1
5120-00-273-9208	EXTENSION, SOCKET WRENCH 3/4 in. dr x 3 in. lg (in tool bag) (55719) L32	EA	1
5110-00-241-9160	FILE, HAND three square, smooth, 6 in. lg (in tool bag) (81348) GGG-F-325	EA	1
6545-00-922-1200	FIRST AID KIT, GENERAL (on right cab wall interior) (19207) 11677011	EA	1
5120-00-900-6097	HAMMER double face with handle, 10 lb (on cab roof) (81348) GGG-H-86	EA	1
5120-00-288-6574	HANDLE, MATTOCK-PICKEA 2 (on left exterior cab wall) (19207) 11677021	EA	2
5120-00-099-8544	HANDLE, SOCKET WRENCH T-handle 3/4 in. dr x 12 in. lg (in tool bag) (50024) 2479141	EA	1
5120-00-249-1071	HANDLE, SOCKET WRENCH 1/2 in. dr nutspeeder (in tool bag) (81348) A-A-2166	EA	1
5120-00-230-6385	HANDLE, SOCKET WRENCH ratchet 1/2 in. dr x 9-1/2 in. lg (in tool bag) (80064) 14U1502	EA	1
5120-00-241-3142	HANDLE, SOCKET WRENCH 1/2 in. dr X 7 in. lg (in tool bag) (55719) 510	EA	1
5110-00-222-0457	HATCHET, CLAW 4-CUT (in rear cab, stowage box) (81348) GGG-H-131	EA	1

Section II. ADDITIONAL AUTHORIZED ITEMS LIST - CONTINUED

(1) NATIONAL STOCK NUMBER	(2) DESCRIPTION CAGEC & PART NUMBER USABLE ON CODE	(3) U/I	(4) QTY. RECM.
5120-00-293-0791	PUNCH, DRIVE PIN straight type 3/16" dia (in tool bag) (81348) GGG-P-831	EA	1
4933-00-796-4537	ROLL ASSEMBLY, TOOLS AND EQUIPMENT (in cab rear stowage box) (19207) 7964537	EA	1
5210-00-234-5223	RULE, STEEL machinist 6 inches (in tool bag) (57163) C604R-6	EA	1
5120-00-227-7338	SCREWDRIVER, FLAT-TIP machinist extra heavy duty, 5 inch blade (in tool bag) (77948) D339	EA	1
5120-00-278-1283	SCREWDRIVER, FLAT-TIP common normal duty single grip, 6 inch blade (in tool bag) (19207) 41S1104	EA	1
5120-00-236-2127	SCREWDRIVER, FLAT-TIP 3 inch lg blade, 3/16" tip (in tool bag) (89905) 133690-10	EA	1
5120-00-188-8450	SHOVEL, HAND genl purpose long handled strap back rd point (on top exterior cab) (81348) GGG-S-326	EA	1
5120-00-293-3336	SHOVEL, HAND genl purpose rd point D-handle (on left exterior cab wall) (19207) 11655784	EA	1
5120-00-189-7911	SOCKET, SOCKET WRENCH 1/2 in. dr, 12 in. pt x 3/8 in. opng (in tool bag) (65814) ST812	EA	1
5120-00-189-7913	SOCKET, SOCKET WRENCH 1/2 in. dr, 12 pt x 1-1/16 in. opng (in tool bag) (19207) 11677025-8	EA	1

Section II. ADDITIONAL AUTHORIZED ITEMS LIST - CONTINUED

(1) NATIONAL STOCK NUMBER	(2) DESCRIPTION CAGEC & PART NUMBER USABLE ON CODE	(3) U/I	(4) QTY. RECM.
5120-00-189-7914	SOCKET, SOCKET WRENCH 1/2 in. dr, 12 pt x 1-1/8 in. opng (in tool bag) (19207) 11677025-10	EA	1
5120-00-189-7924	SOCKET, SOCKET WRENCH 1/2 in. dr, 12 pt x 7/16 in. opng (in tool bag) (95683) 41W3005	EA	1
5120-00-189-7930	SOCKET, SOCKET WRENCH 3/4 in. dr, 12 pt x 1-3/8 in. opng (in tool bag) (47805) 5544	EA	1
5120-00-189-7931	SOCKET, SOCKET WRENCH 3/4 in. dr, 12 pt x 1-7/16 in. opng (in tool bag) (47805) 5546	EA	1
5120-00-189-7934	SOCKET, SOCKET WRENCH 1/2 in. dr, 12 pt x 7/8 in. opng (in tool bag) (19207) 11677025-5	EA	1
5120-00-189-7935	SOCKET, SOCKET WRENCH 1/2 in. dr, 12 pt x 15/16 in. opng (in tool bag) (19207) 11677025-6	EA	1
5120-00-189-7946	SOCKET, SOCKET WRENCH 1/2 in. dr, 12 pt x 5/8 in. opng (in tool bag) (19207) 11677025-2	EA	1
5130-00-221-8010	SOCKET, SOCKET WRENCH 1/2 in. dr, 12 pt x 3/4 in. opng (in tool bag) (80204) B107.2	EA	1
5120-00-232-5681	SOCKET, SOCKET WRENCH 3/4 in. dr, 12 pt x 1-5/16 in. opng (in tool bag) (58536) A-A-1394	EA	1
5120-00-293-0094	SOCKET, SOCKET WRENCH 3/4 in. dr, 12 pt x 1-1/2 in. opng (in tool bag) (47805) 5548	EA	1

Section II. ADDITIONAL AUTHORIZED ITEMS LIST - CONTINUED

(1) NATIONAL STOCK NUMBER	(2) DESCRIPTION CAGEC & PART NUMBER USABLE ON CODE	(3) U/I	(4) QTY. RECM.
5130-00-221-8005	SOCKET, SOCKET WRENCH 1/2 in. dr, 6 pt x 7/16 in. opng (in tool bag) (55719) 1P140	EA	1
5130-00-221-8007	SOCKET, SOCKET WRENCH 1/2 in. dr, 6 pt x 9/16 in. opng (in tool bag) (30760) 1P180	EA	1
5120-00-235-5871	SOCKET, SOCKET WRENCH 3/4 in. dr, 1-1/4 in. (in tool bag) (47805) 5540	EA	1
7310-00-285-6155	STOVE, GASOLINE BURNER w/case (in cab rear storage box) (81349) MIL-S-10736	EA	1
6675-00-240-1881	TRIPOD, SURVEYING (use with aiming post for Arctic use only) (81349) MIL-T-11674	EA	2
5120-00-269-7971	UNIVERSAL JOINT, SOCKET WRENCH 1/2 in. dr (in tool bag) (18702) 5166189	EA	1
8415-01-217-5634	VEST, MICROCLIMATE (in hull NBC stowage box) (81337) 2-11-1	EA	5
5120-00-187-7123	WRENCH, OPEN END enr 15 deg angle double head 7/16 in. x 1/2 in. (in tool bag) (55719) S1416	EA	1
5120-00-187-7130	WRENCH, OPEN END enr 15 deg angle double head 13/16 in. x 7/8 in. (in tool bag) (07971) E2628	EA	1
5120-00-224-3102	WRENCH, OPEN END enr 15 deg angle double head 5/8 in. x 3/4 in. (in tool bag) (65814) 729	EA	1

APPENDIX D

EXPENDABLE/DURABLE SUPPLIES AND MATERIALS LIST

Section I. INTRODUCTION

D-1 SCOPE.

This appendix lists expendable/durable supplies and materials needed to operate and maintain the M109A6. This listing is for informational purposes only, and is not authority to requisition the listed items. These items are authorized by CTA 50-970, Expendable Items (Except Medical, Class V, Repair Parts, and Heraldic Items), or CTA 8-100, Army Medical Department Expendable/Durable Items.

D-2 EXPLANATION OF COLUMNS.

- a. Column 1 - Item number. This number is assigned to the entry in the listing and is referenced in the narrative instructions to identify the material (e.g., "Use cleaning compound, Item 8, Appx D").
- b. Column 2 - Level. This column identifies the lowest level of maintenance that requires the listed item:

C - Operator/Crew
- c. Column 3 - National Stock Number. This is the National Stock Number assigned to the item. Use it to request or requisition the item.
- d. Column 4 - Description. Indicates the federal item name and, if required, a description to identify the item. The last line for each item indicates the Commercial and Government Entity Code (CAGEC) and Part Number.
- e. Column 5 - Unit of Measure (U/M). Indicates the measure used in performing the actual maintenance function. This measure is expressed by a two-character alphabetical abbreviation (e.g., ea, in., pr). If the unit of measure differs from the unit of issue, requisition the lowest unit of issue that will satisfy your requirements.

Section II. EXPENDABLE/DURABLE SUPPLIES AND MATERIALS LIST

(1) ITEM NUMBER	(2) LEVEL	(3) NATIONAL STOCK NUMBER	(4) ITEM NAME, DESCRIPTION CAGEC, PART NUMBER	(5) U/M
1	C	6810-01-190-2538	ALCOHOL, ISOPROPYL TT-I-735 (81348)	CN
2	C	6850-01-127-7193	ANTI-FOGGING KIT: 1 kit (81349) MIL-A-13550	KT
3	C	6850-01-441-3240	ANTIFREEZE, 5 GAL. CONTAINER (58536) A-A-52624	GL
4	C	6850-00-464-9096	ANTIFREEZE, ARCTIC TYPE, 55 GAL. DRUM (81349) MIL-A-11755	GL
5	C	8105-00-269-4662	BAG, PLASTIC: STD PKG 25 (81349) MIL-B-117	PG
6	C	8105-00-299-8532	BAG, PLASTIC: STD PKG 100 (58536) A-A-1668	BX
7	C	8115-00-190-5020	BOX, SHIPPING (10 EACH, BDL) (81349) PPP-B-36	EA
8	C	6850-00-598-7328	CLEANING COMPOUND, 2 CCMP CAN (81349) MIL-C-10597	KT
9	C	6850-00-227-1887	CLEANING COMPOUND, OPTICAL LENS (81349) MIL-C-43454	QT
10	C	6850-00-224-6665	CLEANING COMPOUND, 5 GAL. CAN (81349) MIL-C-11090	GL
11	C	9150-01-053-6688	CLEANER, LUBRICANT AND PRESERVATIVE: Grade 2 (CLP) (81349) MIL-L-63460	GL
12	C	5350-00-221-0872	CLOTH, ABRASIVE CROCUS 50 SHEETS (81349) P-C-458	PG
13	C	6850-00-753-4827	DECON AGENT, DS2, 1.3 QT MIL-D-50030	QT
14	C	6850-00-901-0591	DEICING-DEFROSTING COMPOUND 5 GAL. CAN (81349) MIL-A-8243D	GL
15	C	6850-00-285-8011	DRY-CLEANING SOLVENT, 55 GAL. DRUM (81349) MIL-PRF-680	GL
16	C	9110-00-391-7813	FUEL, JELLIED, ALCOHOL 2.625 OZ CAN (50616) 4006	OZ

Section II. EXPENDABLE/DURABLE SUPPLIES AND MATERIALS LIST-CONTINUED

(1) ITEM NUMBER	(2) LEVEL	(3) NATIONAL STOCK NUMBER	(4) ITEM NAME, DESCRIPTION CAGEC, PART NUMBER	(5) U/M
17	C	6515-01-150-2976 6515-01-150-2978 6515-01-150-2977	GLOVES, PATIENT, EXAM (PACKAGE OF 100) (89875) E-010 SIZE SMALL E-012 SIZE MEDIUM E-011 SIZE LARGE	PG
18	C	9150-01-197-7693 9150-01-197-7690 9150-01-197-7689	GREASE, AUTOMOTIVE AND ARTILLERY (98308) MIL-PRF-10924 14 OZ. CARTRIDGE (81349) MIL-PRF-10924 1.75 LB CAN (81349) MIL-PRF-10924 6.5 LB CAN (81349) MIL-PRF-10924	OZ LB LB
19	C	9150-00-985-7246 9150-00-985-7247 9150-00-985-7248	GREASE, AIRCRAFT AND INSTRUMENT, (81349) MIL-G-23827 1 LB CAN 7 LB CAN 35 LB CAN	LB LB LB
20	C	9150-00-985-7316 9150-00-823-8047	GREASE, GENERAL PURPOSE (81349) MIL-G-23549 1-3/4 LB CAN 35 LB CAN	LB LB
21	C	9150-00-754-2595 9150-00-223-4004 9150-00-965-2003	GREASE, MOLYBDENUM DISULFIDE (81349) MIL-G-21164 1-3/4 LB CAN 6-1/2 LB CAN 35 LB CAN	LB LB LB
22	C	9150-00-935-9808 9150-00-935-9807	HYDRAULIC FLUID, PET., OHT, (81349) MIL-PRF-6083 1 GAL. CAN 1 QT CAN	GL QT
23	C	6850-00-664-7123	INHIBITOR, CORROSION, 5 OZ CAN (81349) 014905OZ.	OZ
24	C	1025-01-196-2172	KIT, ARTILLERY, CLEANING AND PRESERVATIVE (59678) SK1-84JS	KT

Section II. EXPENDABLE/DURABLE SUPPLIES AND MATERIALS LIST-CONTINUED

(1) ITEM NUMBER	(2) LEVEL	(3) NATIONAL STOCK NUMBER	(4) ITEM NAME, DESCRIPTION CAGEC, PART NUMBER	(5) U/M
25	C	9150-01-035-5392 9150-01-035-5393	LUBRICATING OIL, GEAR (use below O°F) (81349) MIL-PRF-2105 1 QT CAN 5 GAL. CAN	QT GL
26	C	9150-00-189-6727 9150-00-186-6668	LUBRICATING OIL, OE/HDO 10 (81349) MIL-PRF-2104 1 QT CAN 5 GAL. CAN	QT GL
27	C	9150-00-186-6681 9150-00-188-9858	LUBRICATING OIL, OE/HDO 30 (81349) MIL-PRF-2104 1 QT CAN 5 GAL. CAN	QT GL
28	C	9150-00-231-2361 9150-00-231-2356	LUBRICATING OIL, GEN (81349) MIL-L-3150 1 QT CAN 5 GAL. CAN	QT GL
29	C	9150-00-402-2372	LUBRICATING OIL, OES, 5 GAL. CAN (15445) CONOCODN600FLUIDTYPE1	GL
30	C	9150-00-823-7860	LUBRICATING COMPOUND, 1 PT CAN (OT7G9) 7327	CN
31	C	9150-00-402-4478	LUBRICATING OIL, OES, 1 QT CAN (15445) CONOCODN600FLUIDTYPE1	QT
32	C	9150-00-543-7220	LUBRICATING OIL, MOLYBDENUM AND DISULFIDE, SILICONE, 1 LB CAN (81349) DOD-L-25681	LB
33	C	7920-00-753-5242	PAD, SCOURING (27293) SCOTCHBRITE96	BD
34	C	6640-00-285-4694	PAPER, LENS (81348) NNN-P-40	HD
35	C	9150-00-250-0926 9150-00-250-0933	PETROLATUM, TECHNICAL (81348) VV-P-236 1 LB CAN 5 LB CAN	LB LB

Section II. EXPENDABLE/DURABLE SUPPLIES AND MATERIALS LIST-CONTINUED

(1) ITEM NUMBER	(2) LEVEL	(3) NATIONAL STOCK NUMBER	(4) ITEM NAME, DESCRIPTION CAGEC, PART NUMBER	(5) U/M
36	C	4720-00-964-1433	PLASTIC HOSE, TUBE, NONMETALLIC 1000 FT ROLL (34629) 46-66440	FT
37	C	7920-00-205-1711	RAG, WIPING, 50 LB BALE (58536) A-A-2522	LB
38	C	6850-00-177-5094	SILICONE COMPOUND (81343) SAE AS8660	TU
39	C	7510-01-146-7767	TAPE, PRESSURE SENSITIVE 2-IN. WIDE (81348) PPP-T-60	RO
40	C	7420-00-753-5342	TOWEL, PAPER, PAPERWIPING, 12 IN. WIDE (14731)	BD
41	C	4020-00-241-8875	TWINE, FIBROUS (58536) A-A228	FT
NOTE				
Items 42 through 47 are applicable to the Loose Projectile Restraint System (LPRS) only.				
42	C	2590-01-223-2944	DIVIDER, AMMUNITION (LONG; (LPRS)), 155mm (28620) AC200000403	EA
43	C	2590-01-223-2945	DIVIDER, AMMUNITION (SHORT; (LPRS)), 155mm (28620) AC200000402	EA
44	C	2590-01-223-2949	RACK, AMMUNITION, STOWAGE 15 ROUND, (LPRS), 155mm (28620) AC200000402	EA
45	C	5340-00-980-9277	STRAP, WEBBING, 1.75 IN. WIDE (19207) 10900880	EA
46	C	5340-01-089-4997	STRAP, WEBBING (19207) 11669588	EA
47	C	1670-00-725-1437	TIE DOWN, CARGO, AIRCRAFT; nylon, 1.719 IN. WIDE, (81349) MIL-T-27260TYPECGU1B	EA
48	C	6850-01-357-8456	WIPE, DECONTAMINATION KIT, INDIVIDUAL EQUIPMENT (81361) 5-77-3201	KT

APPENDIX E

**STOWAGE AND SIGN GUIDE
FOR COMPONENTS OF END ITEM, BASIC
ISSUE ITEMS, AND APPLICABLE ADDITIONAL
AUTHORIZATION LIST ITEMS**

Section I. INTRODUCTION

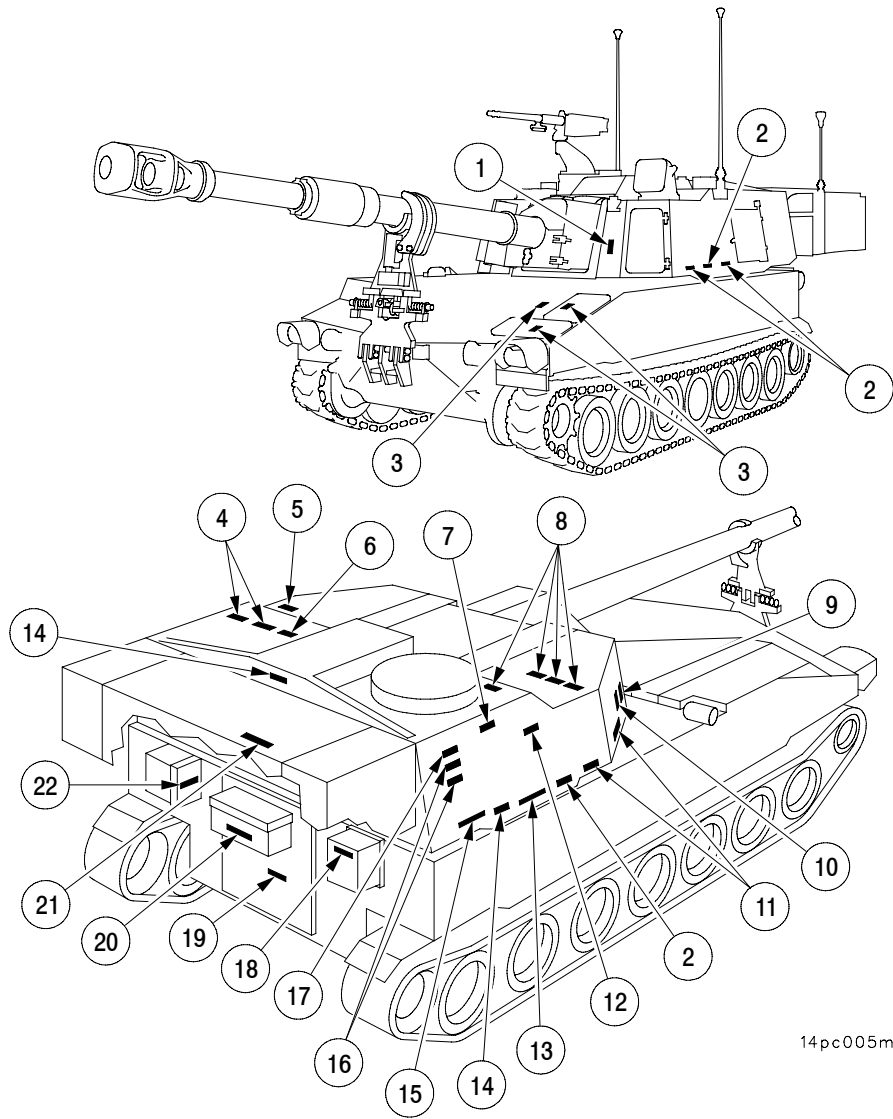
E-1 SCOPE.

This appendix shows the locations for stowage of equipment and materiel required to be carried on the self-propelled howitzers.

E-2 GENERAL.

The following illustrations show the location of stencils, both interior and exterior, used on the howitzer. These signs mark the place where equipment should be stowed. In addition to the location of signs, these guides detail the physical installation and stowage of all Components of End Item (COEI) List, Basic Issue Item List (BILL), and Additional Authorization List (AAL) items required to be carried on-board the howitzer. These guides also show how to load and stow propellant canisters and how to load and stow projectiles.

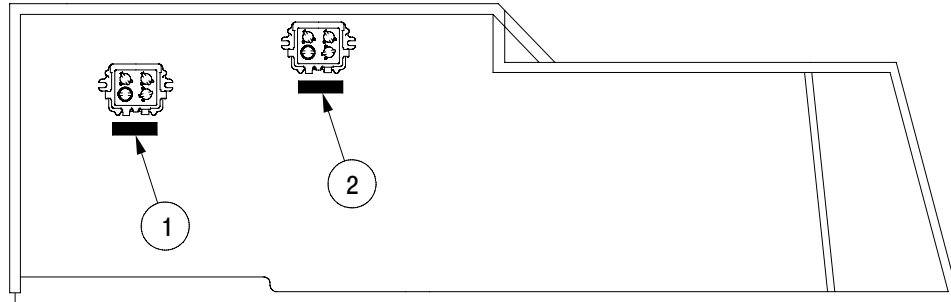
Section II. STENCIL LOCATIONS (CAB AND HULL EXTERIOR)



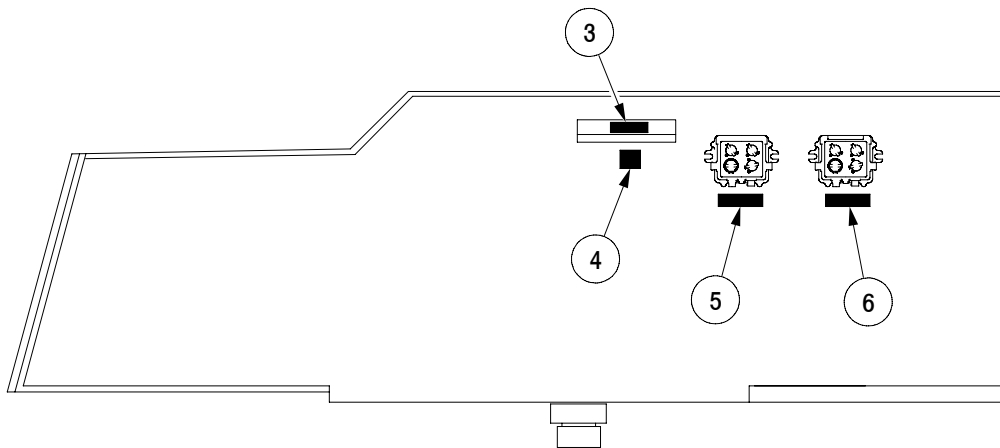
14pc005m

- | | |
|-------------------|-----------------------------|
| 1. Track Fixtures | 12. Cal. .50 Barrel |
| 2. Water Can | 13. M13 Decontamination Kit |
| 3. Track Shoes | 14. Shovel |
| 4. M16 Ammo | 15. Rammer Shafts |
| 5. Sledge | 16. Handle |
| 6. Signal Flares | 17. Axe |
| 7. Crowbar | 18. Intercom (Hull) |
| 8. .50 Cal. Ammo | 19. Telephone Reel |
| 9. Pick | 20. Grenade 40 MM (Hull) |
| 10. Mattock | 21. Tow Cable |
| 11. Oil Can | 22. Grenade (Hull) |

Section III. STENCIL AND LABEL LOCATIONS (CAB AND HULL INTERIOR)



LEFT SIDE

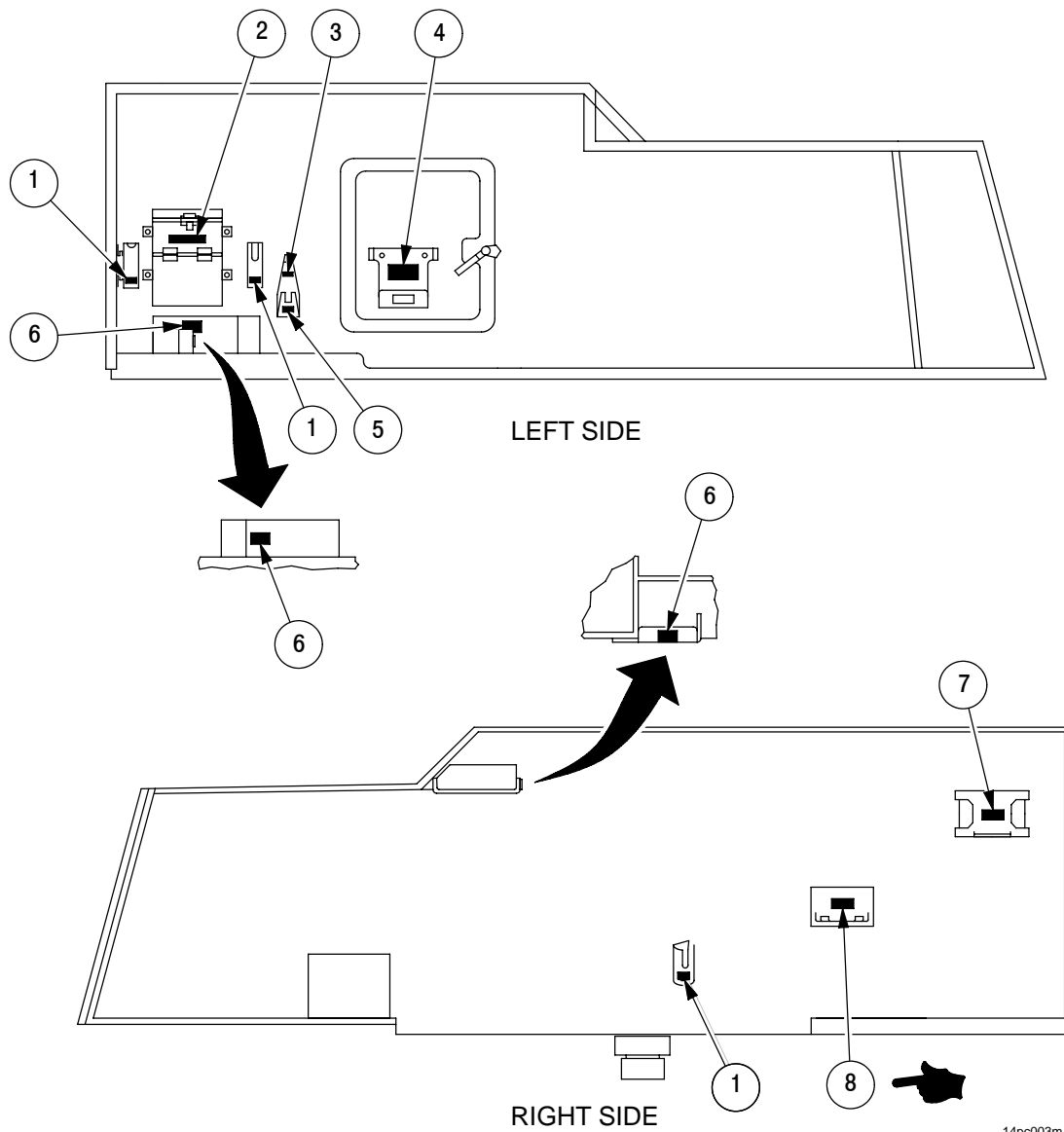


RIGHT SIDE

14pc006m

1. Cannoneer Station
2. Commander Station
3. Caution Communication Label
4. VIS Reference Placard
5. Auxiliary Station
6. Gunner Station

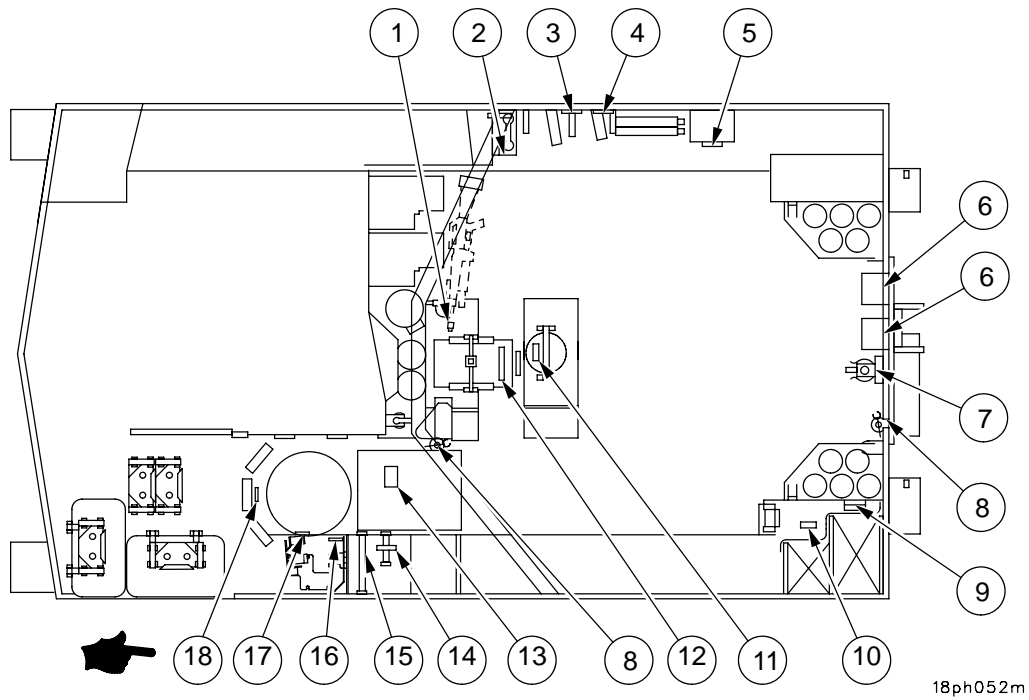
Section III. STENCIL AND LABEL LOCATIONS (CAB AND HULL INTERIOR) - CONTINUED



14pc003m

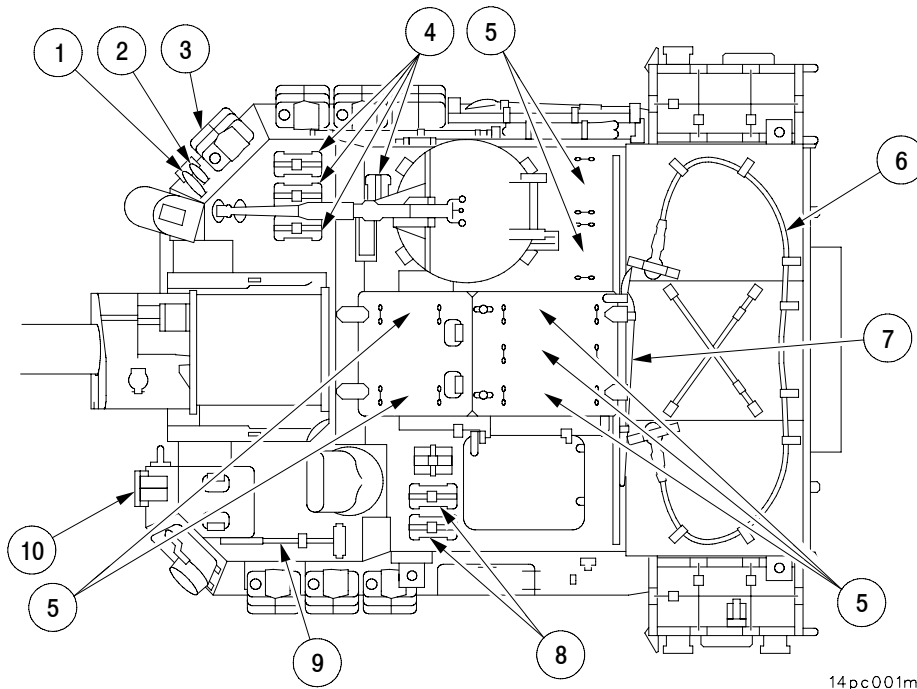
1. Flashlight
2. M27 Periscope
3. M18 Wrench
4. M140A1 Aiming Device and Case
5. M35 Fuze Setter
6. Oddment (Label)
7. First Aid
8. PMVS Stowage (When equipped with PDFCS)

Section III. STENCIL AND LABEL LOCATIONS (CAB AND HULL INTERIOR) - CONTINUED



- | | |
|----------------------|-------------------------------|
| 1. M16 Rifles | 10. Rations |
| 2. Telephone | 11. Bucket |
| 3. CLGP Extractors | 12. Night Vision Sight |
| 4. Bore Staff | 13. Flashlight |
| 5. Oddment Tray | 14. M256 Detector Kit |
| 6. Fuzes | 15. M280 Decontamination Kit |
| 7. Oil Can | 16. M45 Periscope |
| 8. Fire Extinguisher | 17. Night Vision Viewer |
| 9. NBC Protection | 18. Night Viewer Installation |

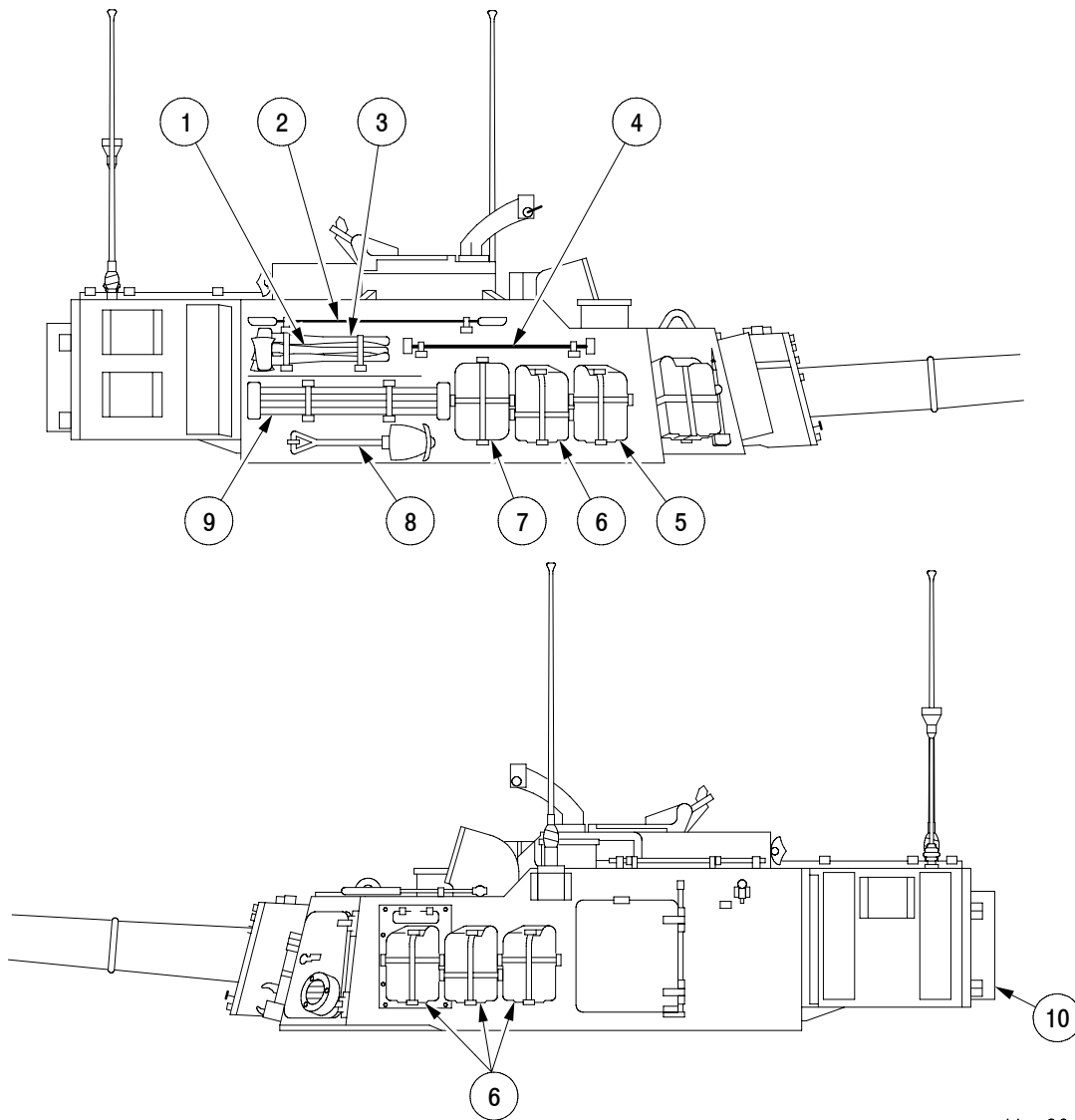
Section IV. STOWED ITEMS - LOCATION INDEX (CAB EXTERIOR)



14pc001m

- | | |
|---------------------------|--------------------|
| 1. Pick | 6. Tow Cable |
| 2. Mattock | 7. Shovel |
| 3. Oil Can | 8. M16 Ammo |
| 4. .50 Cal. Ammo | 9. Sledge |
| 5. SPH Crew Personal Gear | 10. Track Fixtures |

Section IV. STOWED ITEMS - LOCATION INDEX (CAB EXTERIOR) - CONTINUED

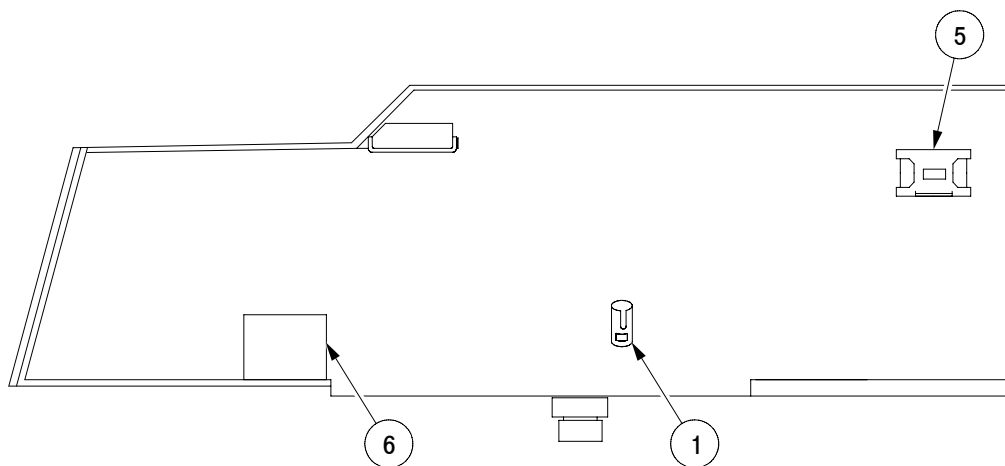
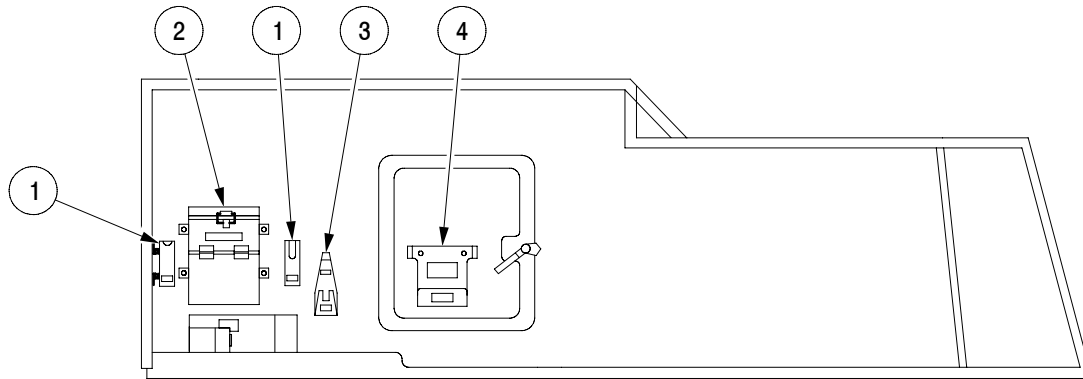


14pc004m

- 1. Handle
- 2. Crowbar
- 3. Axe
- 4. .50 Cal. Barrel
- 5. Oil Can

- 6. Water Can
- 7. M13 Decontamination Kit
- 8. Shovel
- 9. Rammer Staffs
- 10. AT4 Rocket Launchers (3)

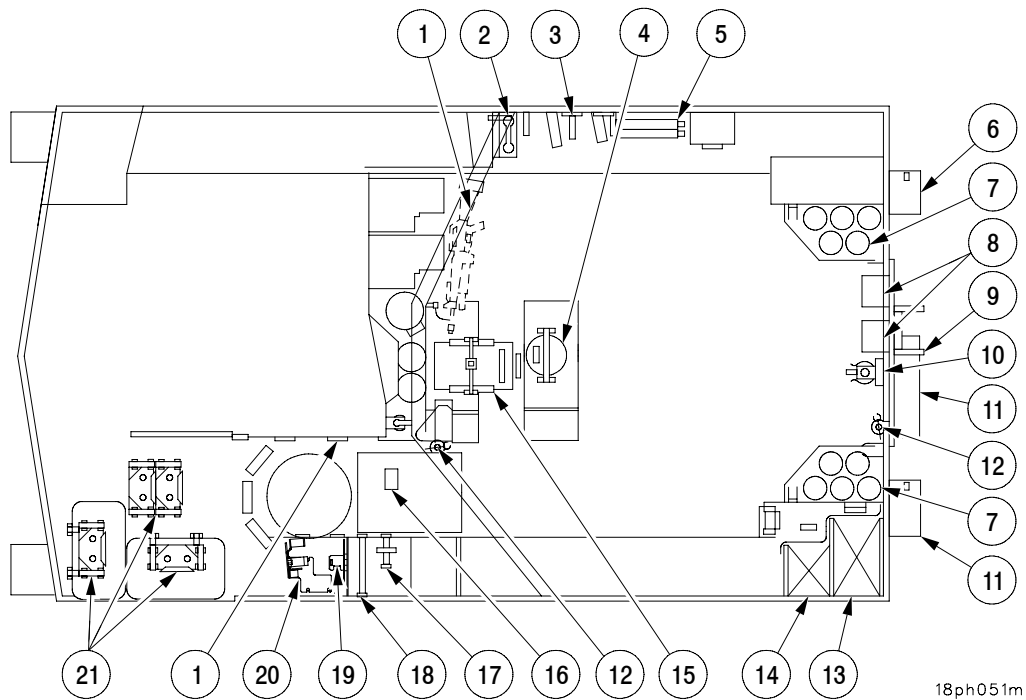
Section V. STOWED ITEMS - LOCATION INDEX (CAB INTERIOR)



14pc002m

1. Flashlight
2. M27 Periscope
3. M35 Fuze Setter and M18 Fuze Wrench
4. M140/M140A1 Aiming Device
5. First Aid Kit
6. Mounted Water Ration Heater

Section VI. STOWED ITEMS - LOCATION INDEX (HULL)



- | | |
|------------------------|------------------------------|
| 1. M16 Rifles | 12. Fire Extinguisher |
| 2. Telephone | 13. NBC Protection |
| 3. CLGP Extractors | 14. Rations |
| 4. Bucket | 15. Night Vision Sight |
| 5. Bore Staffs | 16. Flashlight |
| 6. Intercom Box | 17. M256 Detector Kit |
| 7. Projectile Stowage | 18. M280 Decontamination Kit |
| 8. Fuzes | 19. Periscopes (M45) |
| 9. Telephone Reel | 20. Night Vision Periscope |
| 10. Oil Can, Hand Pump | 21. Track Shoes |
| 11. Grenade Stowage | |

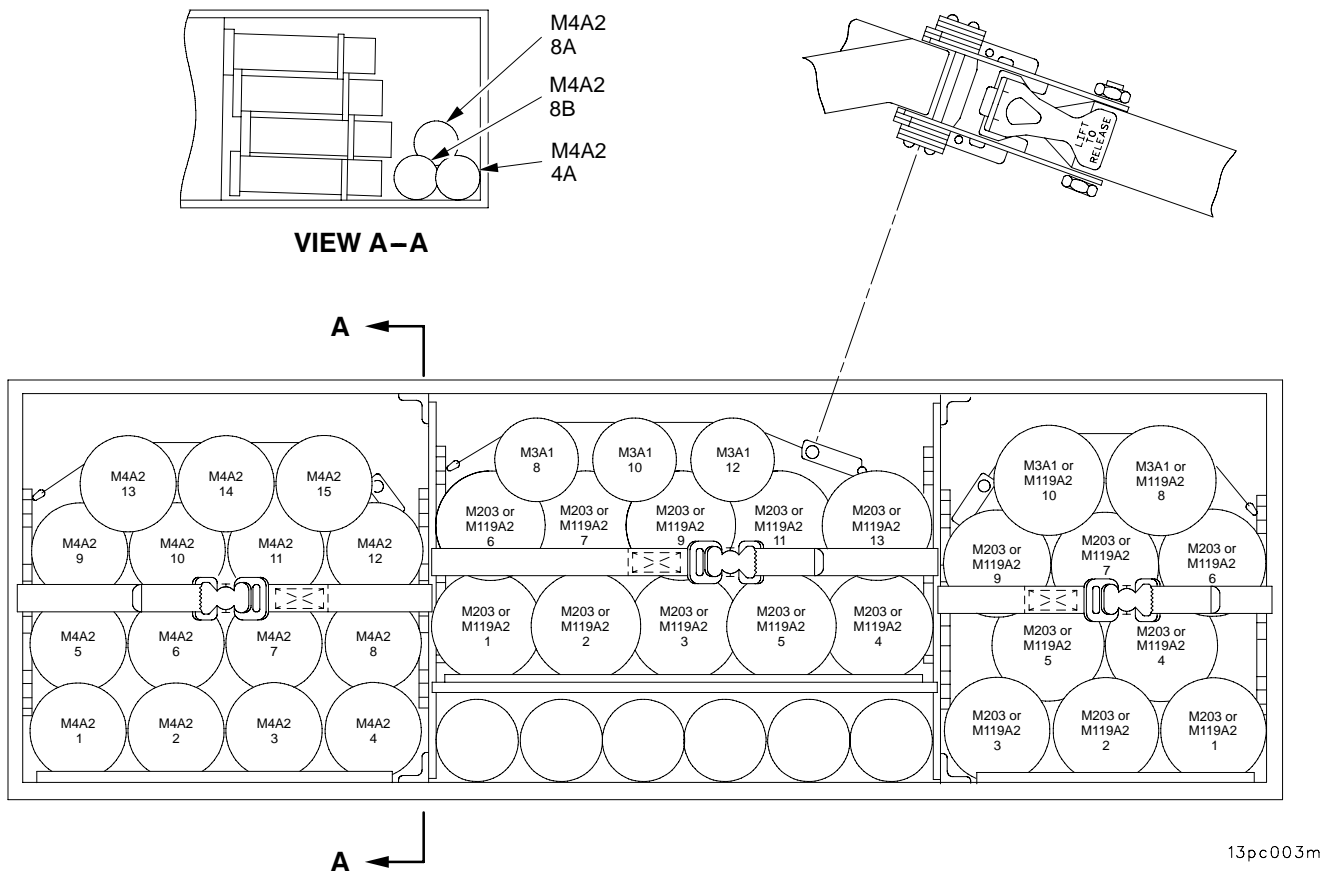
Section VII. UPLOADING AND STOWING PROPELLANT CHARGE CANISTERS

E-3 BUSTLE UPLOADING AND STOWAGE.

- a. With all cargo restraining straps removed, stow propelling charge canisters in the sequence and pattern illustrated.

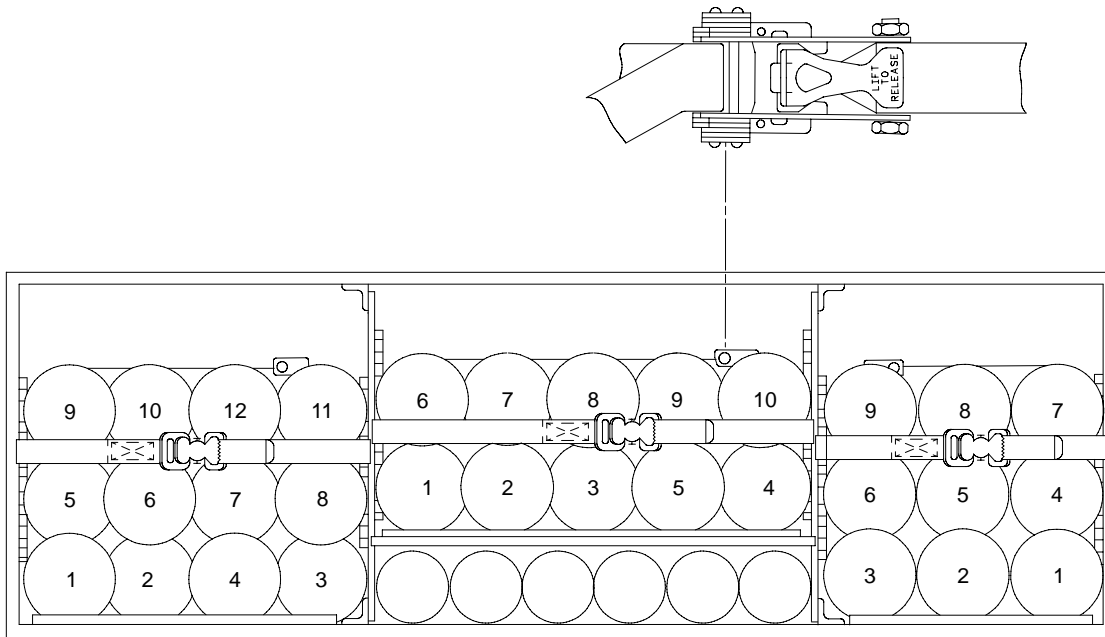
NOTE

This stow configuration is based on ammunition mix information that maximizes the number of propelling charges for a given ratio. Many other combinations are possible.



E-3 BUSTLE UPLOADING AND STOWAGE - CONTINUED

- b. Use the following configuration for all M203 or M119 propelling charge stowage.

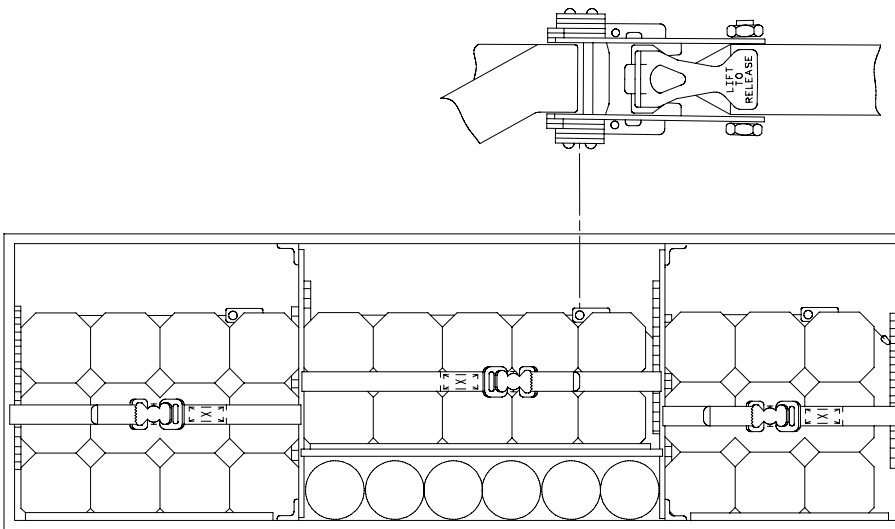


13pc004m

- c. Use the following configuration for M203 "square" canister stowage.

NOTE

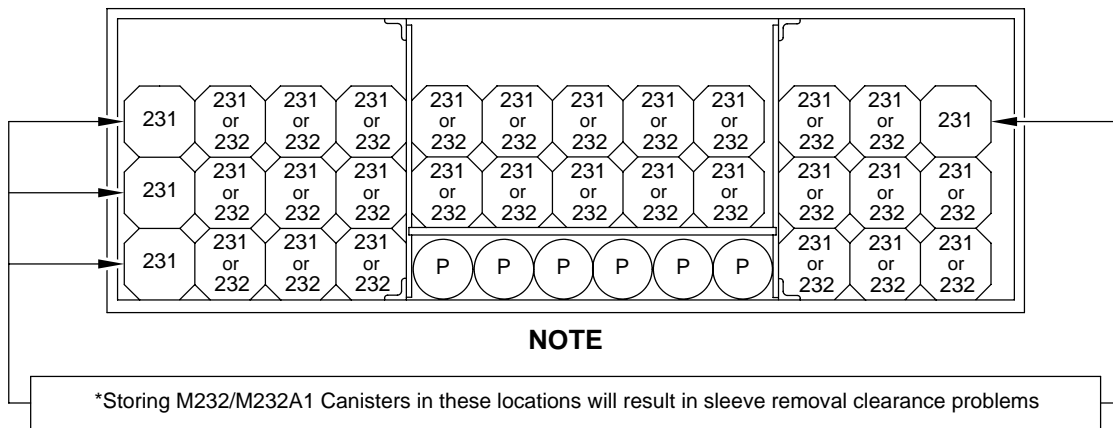
For any other canister stowage configuration, take advantage of the container shape, bustle dividers, and its locking features. Make sure you can unlock the canister caps and remove the propelling charge without having to rearrange/adjust the configuration.



13pc004mo

E-3 BUSTLE UPLOADING AND STOWAGE - CONTINUED

d. Use the following configuration for all M231 and M232/M232A1 MACS propelling charges stowage.



13pc004mb

AMMUNITION KEY

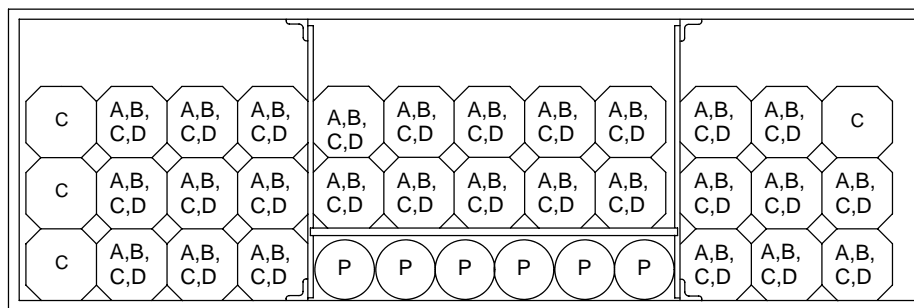
- P READY-RACK PROJECTILES
- 232 - M232/M232A1 MACS
- 231 - M231 MACS*

31 CANISTER CONFIGURATION

d.1 Use the following MACS stowage configuration for M203 and M119A1 square canisters and M4A2 and M3A1 charges.

NOTE

- Do not attempt to store M203 or M119A1 round-end canisters in vehicles with MACS configuration. Round-end canisters must be stowed on ammunition carrier (PA 37A1 and PA98).
- Only M203 or M119A1 square-end canisters will be stowed in MACS bustle configuration.
- M203 or M119A1 propellant bags may be stored in empty M203 or M119A1 square canisters in MACS bustle configuration.



13pc004mc

AMMUNITION KEY

- P READY-RACK PROJECTILES
- A - M203 SQUARE CANISTER
- B - M119A1 SQUARE CANISTER
- C - M4A2 WHITE BAG
- D - M3A1 GREEN BAG

31 CANISTER CONFIGURATION

E-3 BUSTLE UPLOADING AND STOWAGE - CONTINUED

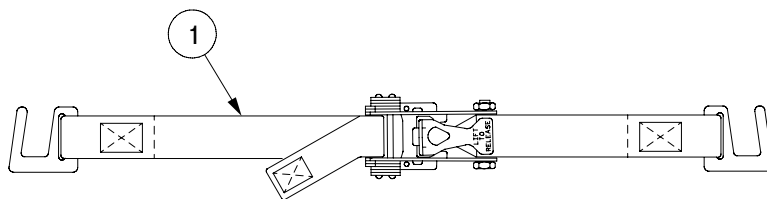
- e. Ensure canisters are properly seated and positioned in compartment, and that their rim stacking will not come loose. ■

WARNING

- Ensure canisters are properly secured before moving the vehicle. Loose canisters in a moving vehicle may result in personnel injury.
 - The strap assemblies should be installed after a bustle compartment has been fully uploaded. The straps are interchangeable and their length is adequate for any partial or total load configuration. Ratchetting is possible from either right or left turnbuckle side.
- f. Before installing strap assembly (1), lift ratchet release tab and uncoil any residual web from ratchet drum. ■

WARNING

- Check expiration date on straps. Inspect straps for damage and wear (e.g., fraying, cuts). Failure of strap may result in personnel injury.
- Ensure canisters are secured with two restraining straps per compartment. Loss of retention capability may result in personnel injury.

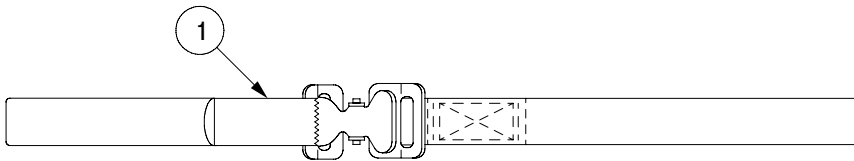


13pc007m

- g. Install straps (rear straps first) by hooking slat hook to lowest accessible hole on wall rack. This assures proper web wrap around on corner canisters and effectively transmits web tension. Position ratchet buckle with release tab facing upwards so it is accessible for later use. ■

E-3 BUSTLE UPLOADING AND STOWAGE - CONTINUED

- h. Pull web handhold end to remove excess length of strap web.
- i. Inspect and ensure that both slat hooks at strap ends are fully engaged in bustle wall rack holes.
- j. Tighten all cargo restraining strap turnbuckles using canister retaining tool (item 69, Appx. B).
- k. Reinspect and ensure that both slat hooks at strap ends are fully engaged in bustle wall rack holes.
- l. Before installing strap assembly (1), ensure buckle, spring, and/or retaining pin are not missing or damaged. Check for frays or cuts in webbing that would cause straps to break when tension is applied.



13pc005m

- (1) Install straps by squeezing buckle open and sliding strap through buckle.
- (2) Slide straps through loops on bustle walls and through buckle.
- (3) Pull strap end until all slack is removed and straps are tight.
- (4) Ensure buckle holds straps secure.

Section VIII. UPLOADING AND STOWING PROJECTILES

E-4 VERTICAL AND HORIZONTAL PROJECTILES STOWAGE.

The maximum on-board stored projectiles is thirty-seven regular and two M712 (Copperheads) for a total of thirty-nine projectiles. The howitzer uses a cab projectile rack, which holds six projectiles, and two hull floor projectile racks each holding five projectiles. Also, in the hull the left and right sponsons are used for stowage of twenty-one projectiles.

WARNING

- Ensure projectiles are properly secured before moving vehicle. Loose projectiles in a moving vehicle may result in personnel injury.
- Inspect latches, webbing straps, cradles, and attaching hardware for damage or wear which could result in a projectile becoming loose after being secured.
- M110 series WP projectiles must be stored base down position (vertically) using floor projectile racks. Firing of such projectiles could contribute to inbore explosions or close-in premature malfunctions.
- Stow short based projectile rounds ONLY in floor projectile racks. Do not store long projectile rounds vertically because they would interfere with movement of the cab.
- 155mm projectiles weigh almost 100 lbs (45.4 kg). Be careful when placing ammunition in the hull and bustle to prevent damage to rotating band. Stand projectile up on base.

E-4 VERTICAL AND HORIZONTAL PROJECTILES STOWAGE - CONTINUED

a. Cab Projectile Rack

NOTE

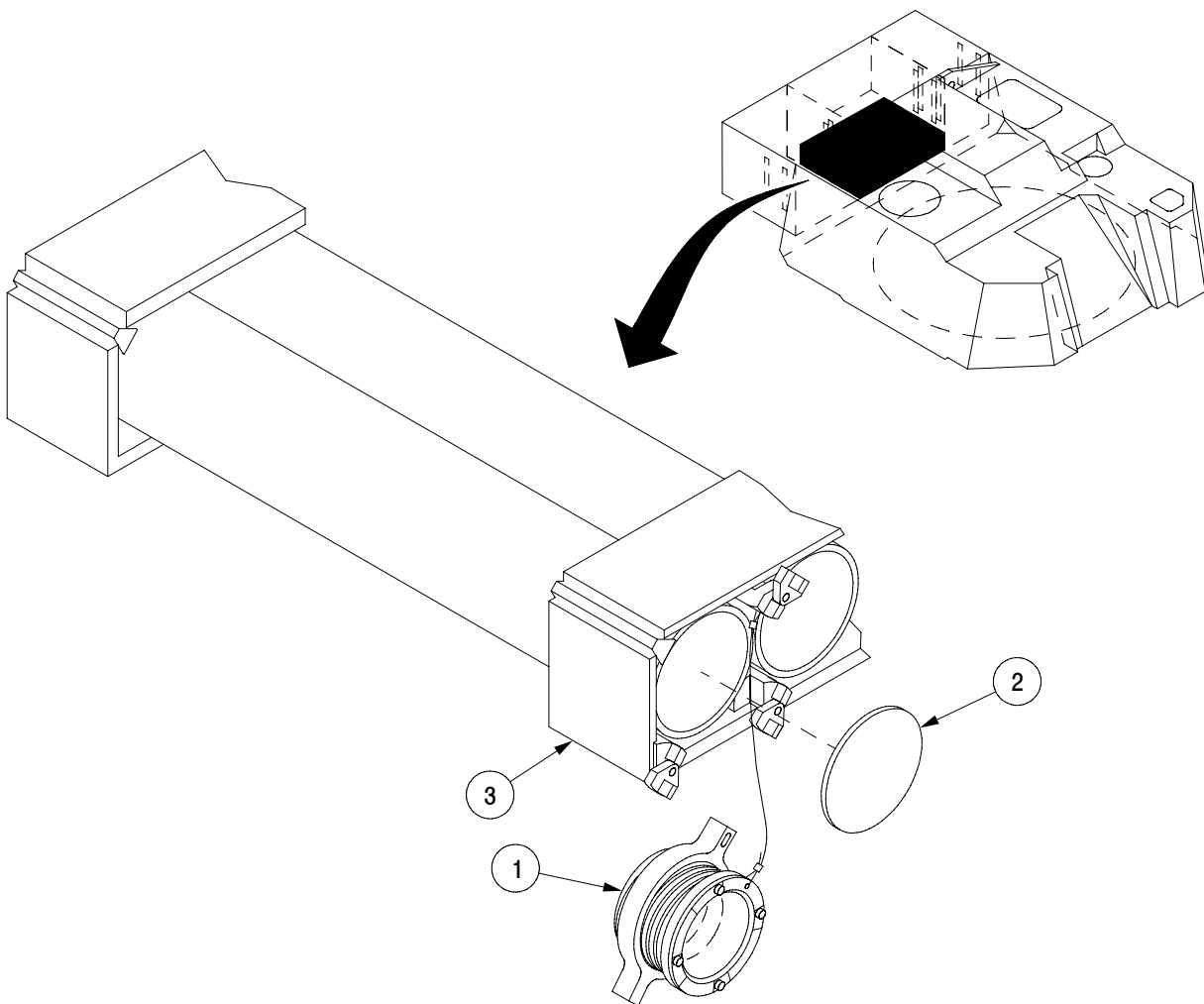
- The cab projectile rack has six retainer assemblies. The projectile storage procedures are identical for all six retainer assemblies.
- Each retainer assembly is held in place by two locking caps.

(1) With retainer assembly (1) removed, ensure cushioning pad (2) is in place.

(2) Place projectile in rack (3).

(3) Position retainer assembly (1) inner ring to projectile being stowed.

(4) Secure retainer assembly (1).



13pc006m

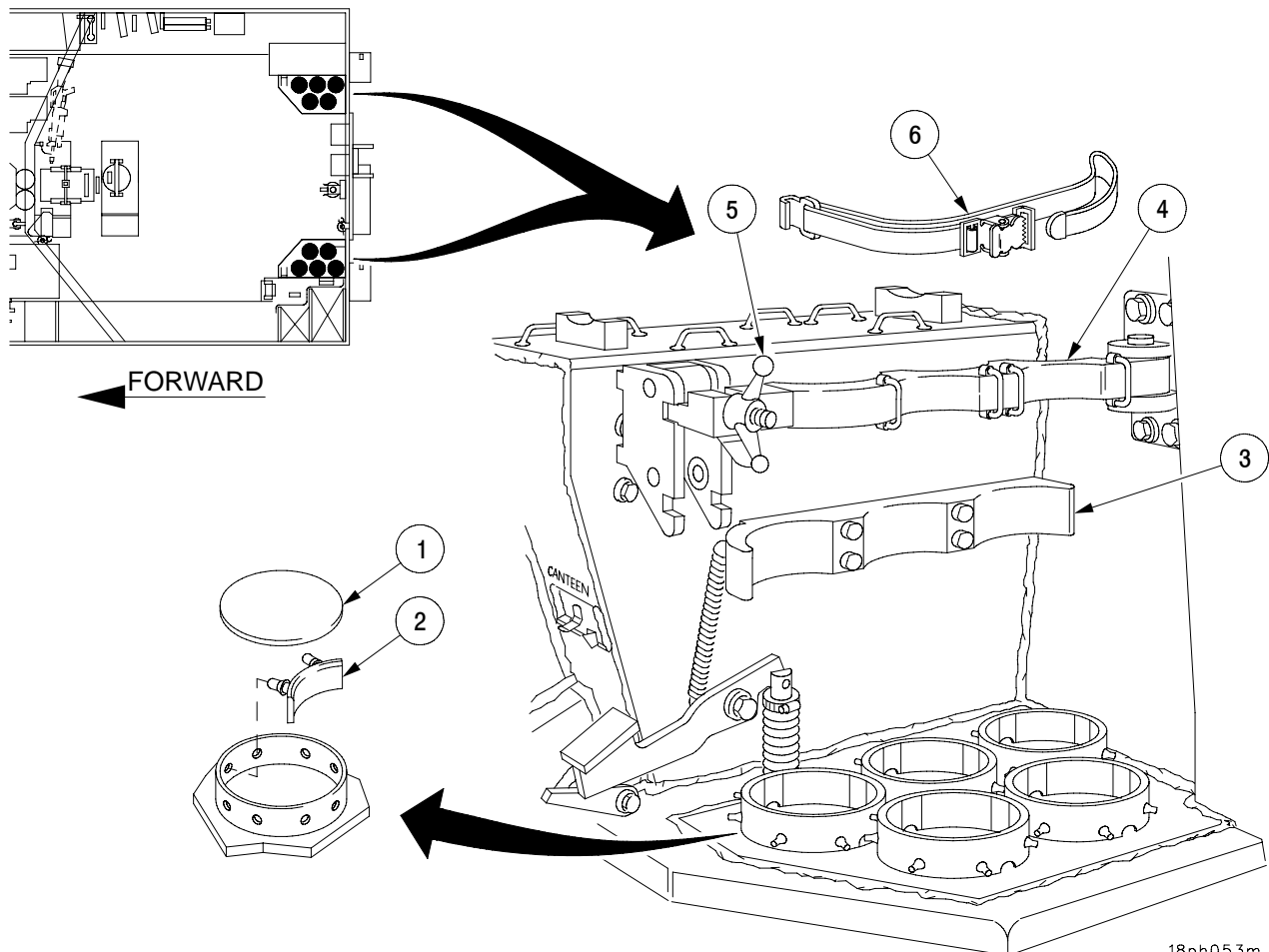
E-4 VERTICAL AND HORIZONTAL PROJECTILES STOWAGE - CONTINUED

b. Hull Floor Projectile Racks

WARNING

Store short based projectile rounds ONLY in floor projectile racks. Do not store long projectile rounds vertically because they would interfere with movement of the cab.

- (1) Ensure cushioning pads (1) and bumpers (2) are in place.
- (2) Position three projectiles against inner rack (3) and close outer rack (4).
- (3) Secure with rack lock assembly (5).
- (4) Position two projectiles against outer rack (4).
- (5) Weave strap webbing (6) around two projectiles and secure.



18ph053m

E-4 VERTICAL AND HORIZONTAL PROJECTILES STOWAGE - CONTINUED

c. Left and Right Sponson Racks

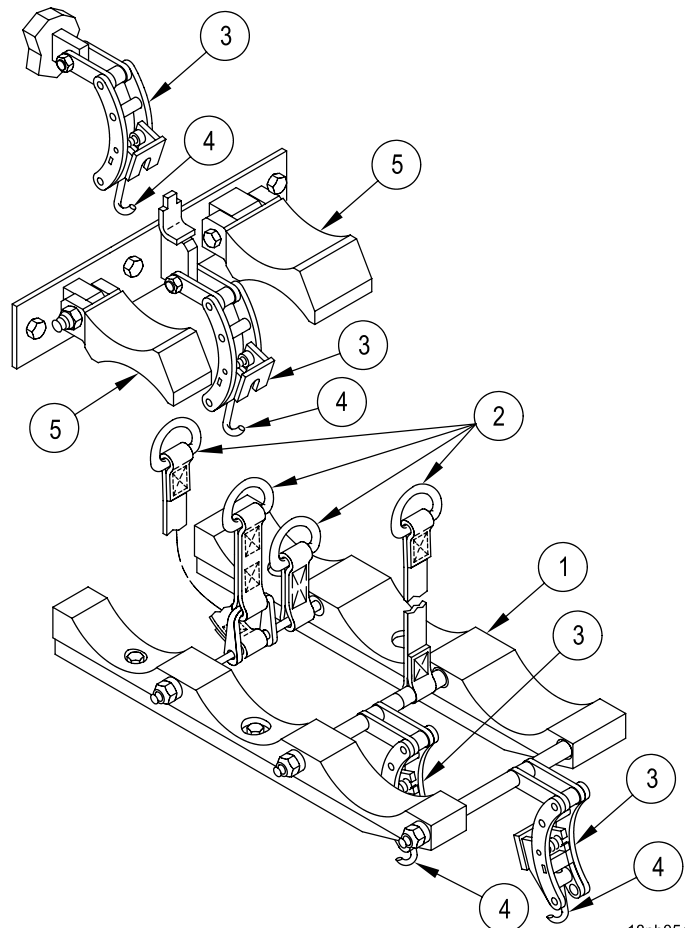
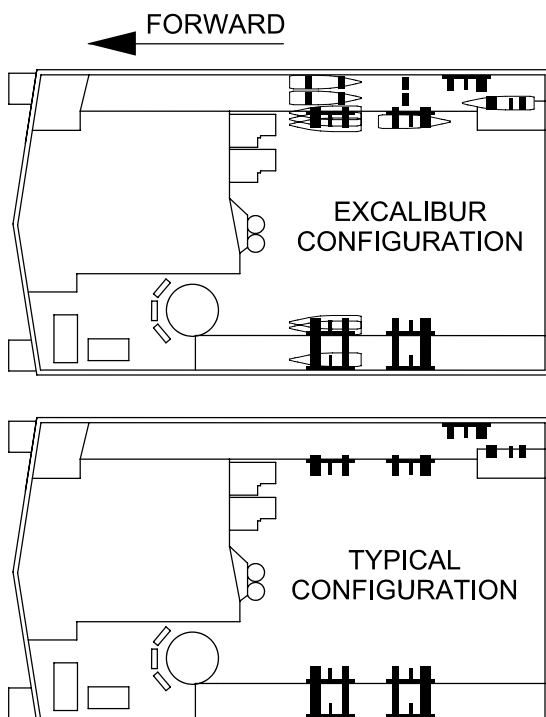
The left and right sponsons uses single and triple cradles, cantilever cradles, strap webbing and latch brackets to store projectiles. For stowage of M712 projectile (copperhead) and extractor assembly see para 5-27.

NOTE

The projectile storage procedures are identical for all sponson rack assemblies.

Due to Excalibur projectile size and weight, the vehicle right rear stowage location may be used for smaller projectiles in vehicles with Excalibur configuration.

- (1) Place projectile on lower cradle(s) (1).
- (2) Position strap webbing (2) across projectile.
- (3) Tighten or loosen latch assembly(s) (3) by rotating hook bolts (4).
- (4) Secure projectile with strap webbing (2) and latch assembly (3).
- (5) Lower upper cradle (5).
- (6) Place projectile on upper cradle (5) and secure with strap webbing (2) and latch assembly (3).



18ph054ma

APPENDIX F

EMBEDDED TRAINER

F-1 GENERAL.

The AFCS/PDFCS Embedded Trainer is a built-in training device which uses a specially designed computer program. The program allows the AFCS/PDFCS to operate as a training device. The embedded trainer is designed to improve and maintain the proficiency of operators and crews. The embedded training function provides the capability to train howitzer crews using levels from initial tutorial programs on the operation of the AFCS/PDFCS controls to running a full-scale simulated mission. It is also possible for the instructor to create scenarios for the crew to respond to and to use the embedded trainer to monitor and evaluate their performance.

A specific sequence of actions by the operator is required to enter the embedded training mode. This feature ensures that the training mode cannot be entered accidentally during a mission.

F-2 LEVELS OF TRAINING.

Five levels of training are available to the user. The Initialize Training option is also available.

F-2.1 Level 1 Training.

Level 1 is a tutorial program that lists AFCS/PDFCS operating modes and functions, describes keys available on the DU/PDU, general layout of menus, how menus are used, and menu editing. It is designed to lead the user through the step-by-step operation of the AFCS/PDFCS controls. The operation of the various switches and pushbuttons is explained, and then the operator is required to use them to perform tasks called out by the tutorial scenario. The operator reads and follows the instructions that are presented via the display panel of the DU/PDU. The presence of an instructor is not required. After mastery of the controls is obtained, the operator may select a more difficult level. No performance measurement is available at this level.

F-2.2 Level 2 Training.

Level 2 is also a tutorial program designed to lead the user through the step-by-step operation of the AFCS/PDFCS. The operator uses the skills mastered in Level 1 as a base and applies them to the actual system operation. The program allows an operator who is not familiar with the AFCS/PDFCS to learn the system operation on their own, at their own pace, without the need for an instructor to be present.

F-2 LEVELS OF TRAINING - CONTINUED

F-2.2 Level 2 Training - Continued

Level 2 Tutorial provides step-by-step drills. A menu will allow either selection of a specific function for drill or a complete (but simplified) sequence of functions which represent normal AFCS/PDFCS Operation. You may repeat this training level or proceed to next higher (or lower) level. Any data required for input to AFCS/PDFCS (initialization point data, ammo inventory, etc.) will be provided. Performance measurement is not available at this level.

F-2.3 Level 3 Training.

Unlike Levels 1 and 2, Level 3 is not a tutorial. This level is designed to maintain or improve the performance of a trained operator. The program will run a typical mission scenario. The performance data will be displayed on the display panel of the DU/PDU. This provides a means of scoring individuals who use the embedded training device at this level.

F-2.4 Level 4 Training.

In Level 4, it is possible for the instructor to modify the scenario by altering destination and target location. The operator is given the opportunity to choose a "move-heavy," a "shoot heavy," or a "balanced" scenario. If an instructor is present, the option to introduce simulated system faults is also available. Among the faults that may be introduced are hydraulic system failure, communications failure, navigational system failure, and electrical systems failure.

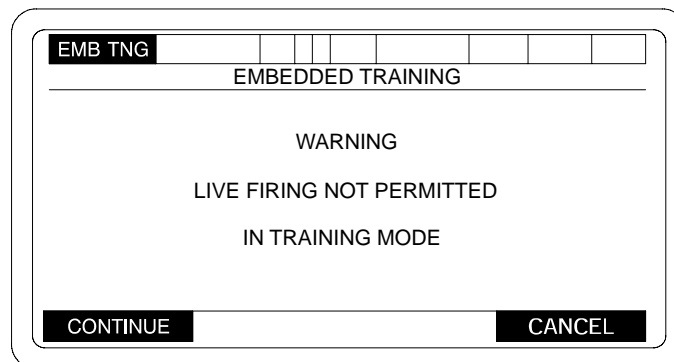
F-2.4.1 Level 5 Training

When using the simulated navigation feature during level 5 training all devices (BCS and observers) participating in the training must use the same simulated map area.

F-2.5 Initialize Training.

This option is not a training level.

Initialize Training allows the operator to make several choices in setting up the training scenario. If there is no instructor present it is possible to select whether or not the weapon will move and to download a scenario or offload data. If an instructor is present, then the scenario may be edited and failures may be introduced, in addition to the items mentioned previously.



06pc236ma

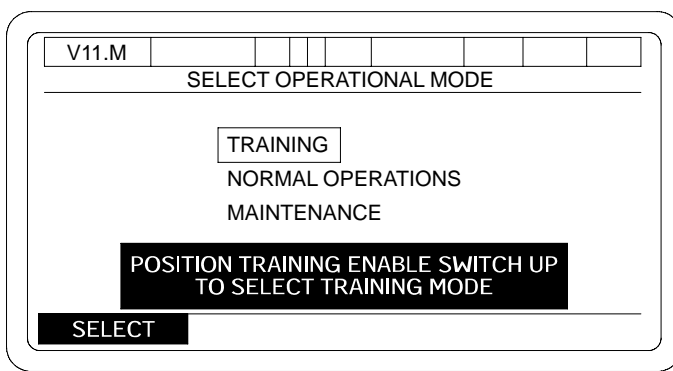
F-3 ENTERING TRAINING MODE.

To begin training, proceed as follows:

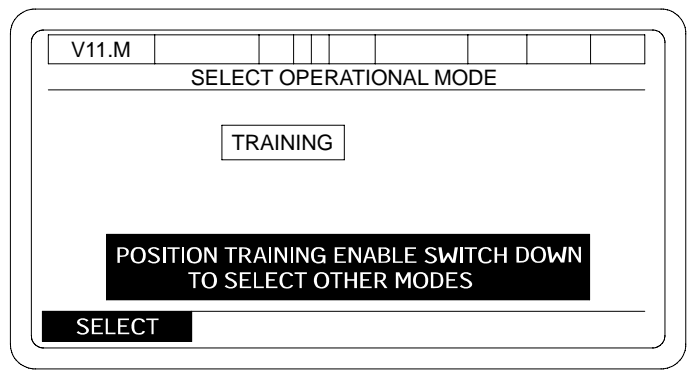
- a. Enter the training mode of operation.
 - (1) If the AFCS/PDFCS is OFF, ensure vehicle MASTER switch is ON, the PCU/PCU - 2 circuit breakers are in the ON position, then turn the DU/PDFCS power switch ON. Refer to System Power Up, para 2-12.1 for AFCS or 2-15B.1 for PDFCS.
 - (2) If the AFCS/PDFCS is ON, go to the SETUP AND INFORMATION menu and select SYSTEM RESTART.

First a POWER UP STATUS menu, then a SELECT OPERATIONAL MODE menu, will be displayed.

- b. Set DU/PDU training switch to ON (up).

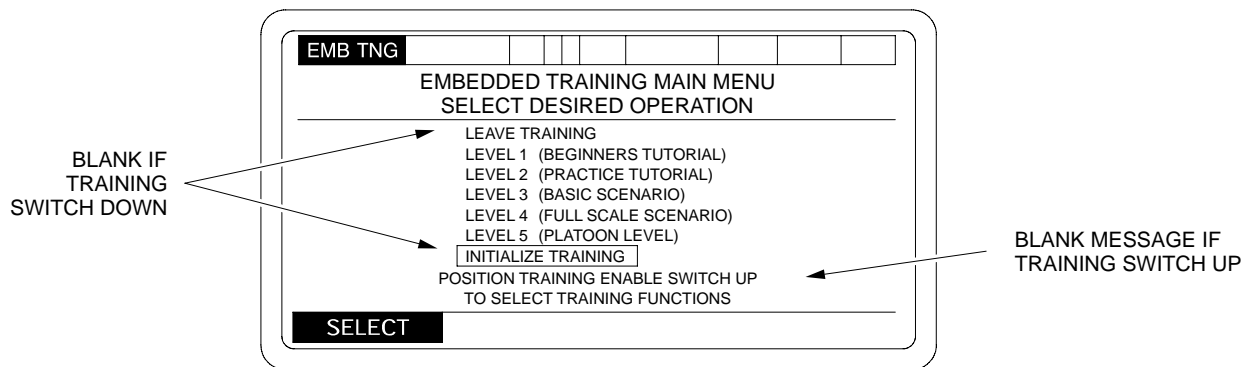


06pc215m



06pc216m

- c. Press SELECT key. The EMBEDDED TRAINING MAIN MENU will be displayed.



06pc217m

NOTE

If ET, BCWC or NAV is not operational, then the following will not be displayed.
 LEVEL 3 (BASIC SCENARIO)
 LEVEL 4 (FULL SCALE SCENARIO) and
 INITIALIZE TRAINING

F-3 ENTERING TRAINING MODE - CONTINUED

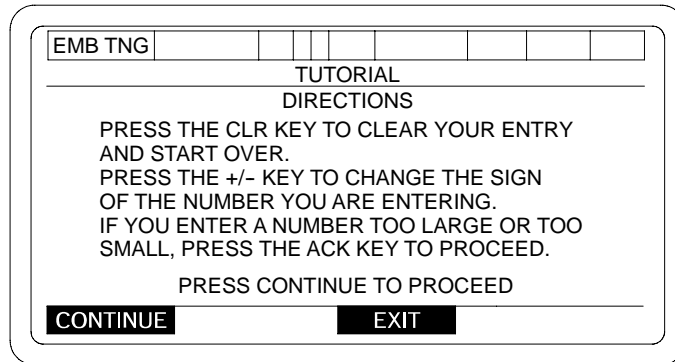
- d. Select desired training level or Initialize Training.
 - (1) Use the arrow keys to box the desired selection.
 - (2) Press SELECT key.

F-4 LEVEL OF OPERATION.

Sections F-4 thru F 5.5 explain the operation of Level 1, Level 2, Level 3, Level 4, and Initialize Training.

F-4.1 Level 1.

Selection of training Level 1 will provide the operator with information concerning the DU/PDU keys, menu, layout, use of menus, and menu editing.

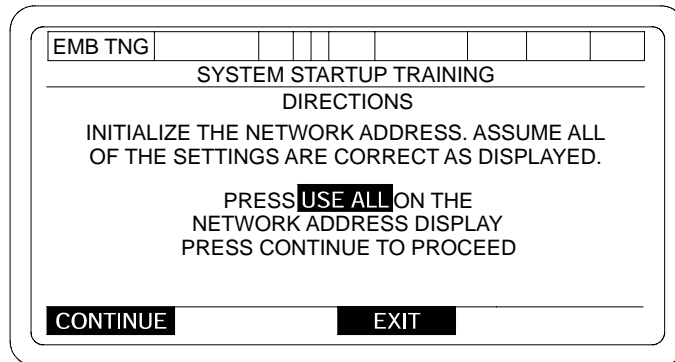


06pc218m

Example of Level 1 Training

F-4.2 Level 2.

Selection of Level 2 will provide the operator with step-by-step drills. A menu will allow either selection of a specific function or drill or a complete (but simplified) sequence of instructions which represent normal AFCS/PDFCS Operation. You will have the option to repeat this training level or proceed to next higher (or lower) level. Any data required for input to AFCS/PDFCS (initialization point data, ammo inventory, etc.) will be provided. Performance measurement is not available at this level.



06pc219m

F-4 LEVEL OF OPERATION - CONTINUED

EMB TNG																											
NET ADDRESS																											
<table border="1"> <tr> <td>GUN PLTN/SECT</td> <td>1/1</td> </tr> <tr> <td>BROADCAST</td> <td>ADRS A</td> </tr> <tr> <td>PHYSICAL</td> <td>ADRS B</td> </tr> <tr> <td>PRIMARY BCS</td> <td>ADRS C</td> </tr> <tr> <td>BACKUP BCS</td> <td>D</td> </tr> <tr> <td>AFCS</td> <td>URN 1234567</td> </tr> <tr> <td>PRIMARY BCS</td> <td>URN 11234567</td> </tr> <tr> <td>BACKUP BCS</td> <td>URN 16777215</td> </tr> <tr> <td>CONTROLLING BCS</td> <td>PRIMARY</td> </tr> </table>										GUN PLTN/SECT	1/1	BROADCAST	ADRS A	PHYSICAL	ADRS B	PRIMARY BCS	ADRS C	BACKUP BCS	D	AFCS	URN 1234567	PRIMARY BCS	URN 11234567	BACKUP BCS	URN 16777215	CONTROLLING BCS	PRIMARY
GUN PLTN/SECT	1/1																										
BROADCAST	ADRS A																										
PHYSICAL	ADRS B																										
PRIMARY BCS	ADRS C																										
BACKUP BCS	D																										
AFCS	URN 1234567																										
PRIMARY BCS	URN 11234567																										
BACKUP BCS	URN 16777215																										
CONTROLLING BCS	PRIMARY																										
SELECT					USE ALL																						

06pc165t

EMB TNG									
SYSTEM STARTUP TRAINING									
<p>CORRECT PRESSING USE ALL VERIFIES THAT THE NETWORK ADDRESS SETTINGS ARE CORRECT</p>									
CONTINUE			RETRY			EXIT			

06pc220m

Example of Level 2 Training

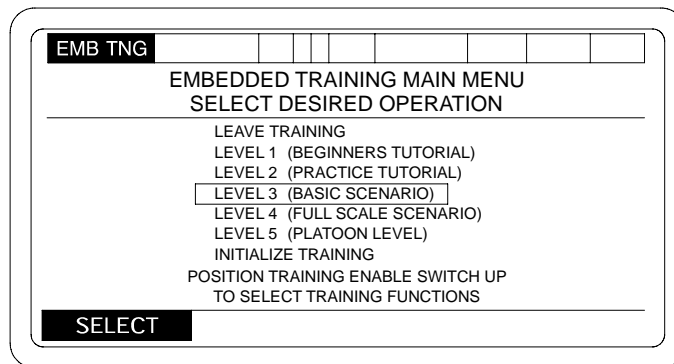
F-4 LEVEL OF OPERATION - CONTINUED

F-4.3 Levels 3 and 4.

If Level 3 is selected you will receive Scenario Training by Event. Each scenario event will be presented to you one at a time with each event completing before next event is presented. Initialization entries will allow selection of scenario type, enable or disable state for faults, and provide a default ammunition inventory. When faults are allowed, each fault will be a separate scenario event. Performance measurement will be provided for this level of training.

To perform Level 3 or Level 4 Training use the following procedure:

- a. Use arrow keys on DU/PDU to move box to Level 3 (Basic Scenario) or Level 4 (Full Scale Scenario) on the EMBEDDED TRAINING MAIN MENU.



06pc222m

NOTE

If ET, BCWC or NAV is not operational, then the following will not be displayed.

LEVEL 3 (BASIC SCENARIO)
LEVEL 4 (FULL SCALE SCENARIO) and
INITIALIZE TRAINING

- b. Press key beneath SELECT. This will cause the SELECT METHOD OF SAVING PERFORMANCE DATA menu to appear.
- c. Using arrow keys, move box to desired selection.

F-4 LEVEL OF OPERATION - CONTINUED

F-4.3 Levels 3 and 4 - Continued

NOTE

Pressing the key under CANCEL will cause EMBEDDED TRAINING main menu to be displayed

- (1) Selection of ADD PERFORMANCE DATA TO EXISTING line will cause data collected during next scenario to be added to data in the file.
- (2) Selection of CREATE NEW PERFORMANCE DATA RECORD line will cause data previously collected to be lost.

EMB TNG

SELECT METHOD OF SAVING PERFORMANCE DATA

ADD PERFORMANCE DATA TO EXISTING

CREATE NEW PERFORMANCE DATA RECORD
(OLD DATA WILL BE LOST)

SELECT CANCEL

06pc223m

F-4 LEVEL OF OPERATION - CONTINUED

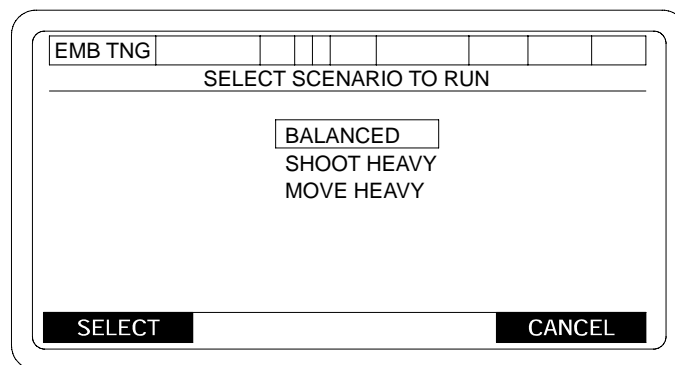
F-4.3 Levels 3 and 4 - Continued

- d. Press the key under SELECT for desired method of saving performance data. A SELECT SCENARIO TO RUN menu will be displayed.
- e. Using arrow keys, move box to desired selection.

NOTE

Pressing the key under CANCEL will return the SELECT METHOD OF SAVING PERFORMANCE DATA menu to the display.

- (1) A "BALANCED" scenario has a ratio of Fire Missions to Moves of 4/1.
- (2) A "SHOOT HEAVY" scenario has a ratio of Fire Missions to Moves of 8/1.
- (3) A "MOVE HEAVY" scenario has a ratio of Fire Missions to Moves of 2/1.



06pc224m

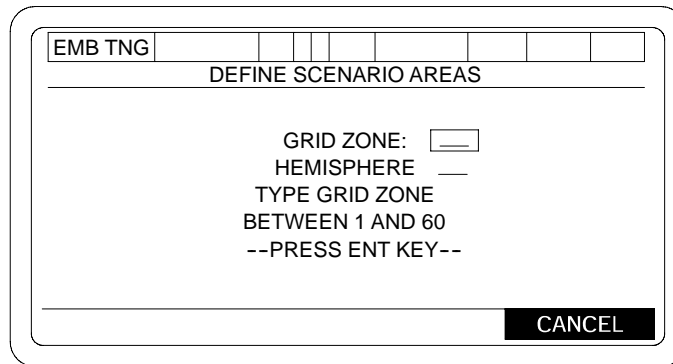
F-4 LEVEL OF OPERATION - CONTINUED

F-4.3 Levels 3 and 4 - Continued

- f. Press the key under SELECT for desired scenario. After a scenario has been selected, the DEFINE SCENARIO AREAS menu (Grid Zone) will appear.

NOTE

Data entered in the DEFINE SCENARIO AREAS menu must indicate the howitzer's current location. It must be the "True Life" location of the howitzer. Enter data prior to changing + or - sign.



06pc225m

- g. Enter desired grid zone and press ENT key on the DU panel/keypad. Select proper HEMISPHERE. Press USE ALL key to display the DEFINE SCENARIO AREAS menu.

F-4 LEVEL OF OPERATION - CONTINUED

F-4.3 Levels 3 and 4 - Continued

The following prompts will appear on the DEFINE SCENARIO AREAS menu in the block marked "1":

- (1) TYPE EASTING OF SW CORNER
BETWEEN 1 AND 999999 -PRESS
ENT-
 - (2) TYPE EASTING OF NE CORNER
BETWEEN 1 AND 999999 -PRESS
ENT-
 - (3) TYPE NORTHING OF SW CORNER
BETWEEN 0 AND 999999 -PRESS
ENT-
 - (4) TYPE NORTHING OF NE CORNER
BETWEEN 0 AND 999999 -PRESS
ENT-
 - (5) TYPE NORTHING OF SW CORNER
BETWEEN 1 AND 10999999 -PRESS
ENT-
 - (6) TYPE NORTHING OF NE CORNER
BETWEEN 1 AND 10999999 -PRESS
ENT-
- Prompts for
Grid Zones
in Northern
Hemisphere
- Prompts for
Grid Zones
in Southern
Hemisphere

EMB TNG			
DEFINE SCENARIO AREAS			
		EASTING	NORTHING
MAP :	SW	-----	-----
	NE	-----	-----
TARGET :	SW	-----	-----
	NE	-----	-----
HOWITZER GRID :	SW	-----	-----
	NE	-----	-----
1			
SELECT		USE ALL	
CANCEL			

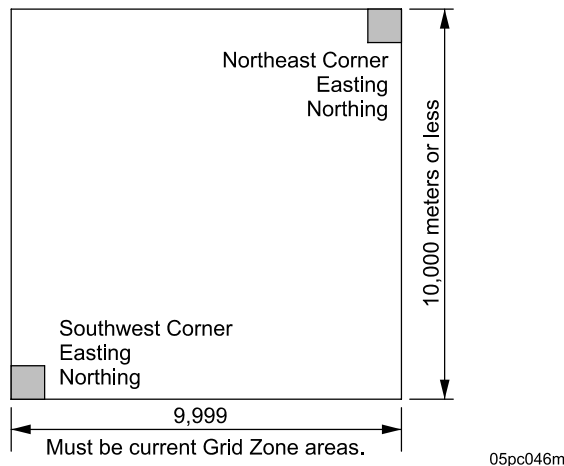
06pc226m

F-4 LEVEL OF OPERATION - CONTINUED

F-4.3 Levels 3 and 4 - Continued

h. Enter information for MAP on DEFINE SCENARIO AREAS menu. This is the area in which all geographic references during scenario must lie. It consists of a Grid Zone, Northing and Easting of southwest corner and Northing and Easting of northeast corner. The Spheroid is defaulted to Clark 1866 or Spheroid I.

- (1) Using the arrow keys, move box to MAP SW field under Easting on the DEFINE SCENARIO Areas Menu.
- (2) Press the key under SELECT, then type in grid coordinates of the easting of the southwest corner of desired operational area and press ENT key on DU/keypad.
- (3) Using arrow keys, move box to MAP SW under Northing and press the key under SELECT. Type in Northing grid coordinates of the southwest corner of operational area and press ENT key on DU/keypad.

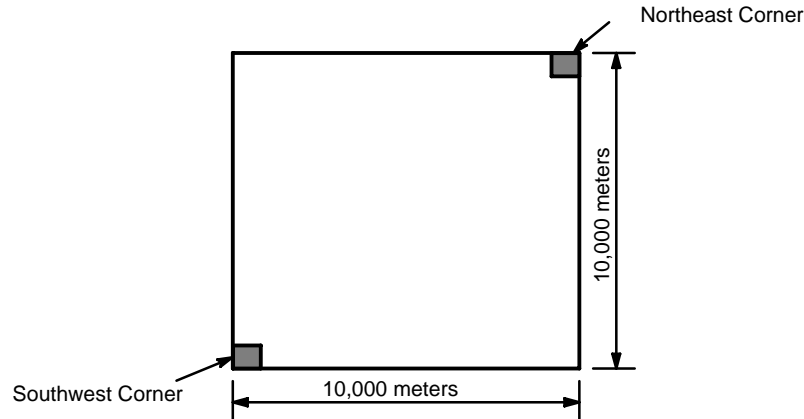


- (4) Using the arrow keys, move the box to MAP NE under the Easting on the DEFINE SCENARIO AREAS and press the key under SELECT. Type in the Easting grid coordinates of the Northwest corner of the operational area and press the ENT key on the DU/keypad.
- (5) Using the arrow keys on the DU move the cursor to MAP NE under Northing and press the key under SELECT of the DEFINE SCENARIO AREAS menu. Type in Northing of Northeast corner of the operational area and press ENT key on DU/keypad.

F-4 LEVEL OF OPERATION - CONTINUED

F-4.3 Levels 3 and 4 - Continued

- i. Enter information for TARGET on DEFINE SCENARIO AREAS menu. This the area in which all target locations must lie (within a 10,000 square meter area). The target grid consists of Northing and Easting of southwest corner and Northing and Easting of northeast corner. To enter this data, use same procedures as described for MAP.

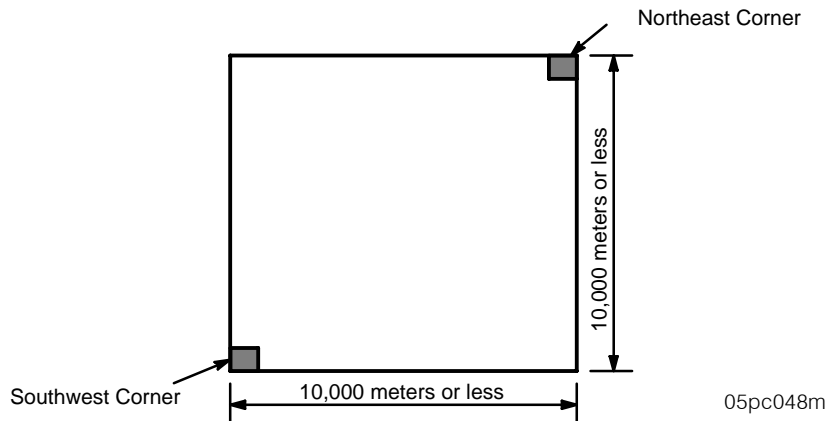


Target Grid

- j. Enter information for HOWITZER GRID on DEFINE SCENARIO AREAS menu. This is the area to which all howitzer movements must be confined (10 km or less). It consists of Northing and Easting of southwest corner and Northing and Easting of northeast corner. If howitzer is to remain stationary refer to note below.

NOTE

If vehicle is to remain stationary during Level 3 and 4 Training define howitzer area map 1 meter by 1 meter (this will prevent difficulties during a Move Order mission).



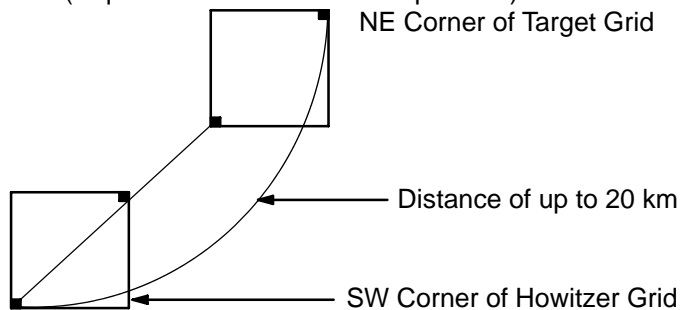
Howitzer Grid

F-4 LEVEL OF OPERATION - CONTINUED

F-4.3 Levels 3 and 4 - Continued

NOTE

The maximum distance between the farthest corners of the Target Grid and Howitzer Grid must be less than 20 km to develop simulated fire missions (required for real ballistic computation).



05pc049m

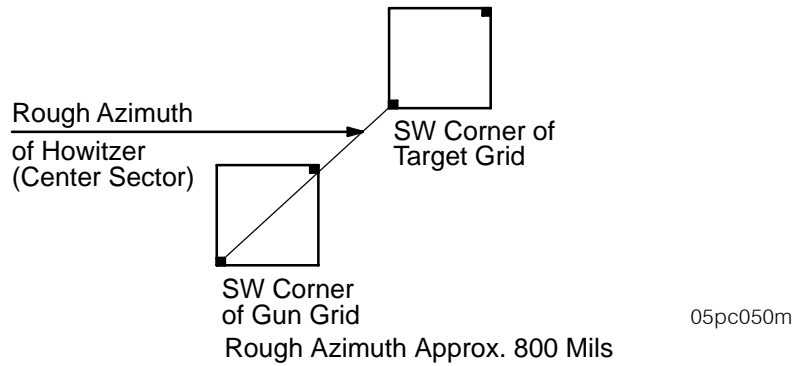
To enter Howitzer grid data use the same procedures described for MAP.

NOTE

- If a map value which is not consistent with other values is entered, an Operator Alert, "MAP VALUES INCONSISTENT", will be displayed.
 - If a target or howitzer coordinate which is outside map grid or is inconsistent with other values is entered, an Alert of either "ILLEGAL TARGET AREA" or "ILLEGAL HOWITZER AREA" will be displayed. Press the CONFIRM key for the operator Alert and enter correct/proper data.
- k. When all the desired data has been entered on the DEFINE SCENARIO AREAS menus, press the USE ALL key. This will force the AFCS/PDFCS into initialization as in Normal Operations.
- l. Initialize AFCS/PDFCS. Initialization of the AFCS/PDFCS is done according to initialization described in Normal Operations with the following exceptions:
- The Gun must be in PLAT/SECT 1/1 (in the NET ADDRESS menu).
 - "True Life" data required for NAV RESTART (initialization point, grid and grid zone).
 - AZIMUTH OF FIRE data in SECTOR OF FIRE menu must be the rough azimuth from Howitzer Grid Southwest Corner to Target Grid Southwest Corner as shown in illustration.

F-4 LEVEL OF OPERATION - CONTINUED

F-4.3 Levels 3 and 4 - Continued



Other initialization data to be provided by the instructor.

m. Enter Embedded Trainer Ammunition Inventory information.

To use the default ammunition inventory, perform the following procedure while doing the AFCS/PDFCS initialization:

Embedded Trainer Ammunition Inventory - Basic Load

PROJECTILES

M483A1 (DPICM)	20	} Total of 39
M107 (HE)	10	
M825 (SMOKE)	03	
M549A1 (RAP)	02	
M485 (ILLUM)	02	
M712 (CPH)	02	

PROPELLANTS

M4A2	15	} Total of 56
M119A2	15	
M203	08	
M3A1	18	

FUZES

M577 (MT)	28	} Total of 50
M582 (MTSQ)	06	
M78 (CP)	04	
M557 (PD)	12	

F-4 LEVEL OF OPERATION - CONTINUED

F-4.3 Levels 3 and 4 - Continued

- (1) On the SETUP AND INFORMATION menu box AMMO INVENTORY; then press the key under SELECT. An INVENTORY MANAGEMENT menu will be displayed.

EMB TNG

SETUP AND INFORMATION

SET DATE/TIME	* TOT RESPONSE
BCS DATA XFER	* LOAD ELEVATION
ENTER MAP/DATUM	* SECTOR OF FIRE
NAV UPDATE	RECEIVED MSG
* AMMO INVENTORY	WARNING MSG
* PROP TEMP	MAX TUBE EL
* MVV ROUNDS	SITE DATA
	SEND CHECKFIRE

SELECT NEXTPAGE

06pc227m

EMB TNG

INVENTORY MANAGEMENT

UPDATE SHELL INVENTORY

UPDATE PROP INVENTORY

UPDATE FUZE INVENTORY

PRESS FINISHED TO INDICATE
INVENTORY UPDATE COMPLETE

SELECT FINISHED CANCEL

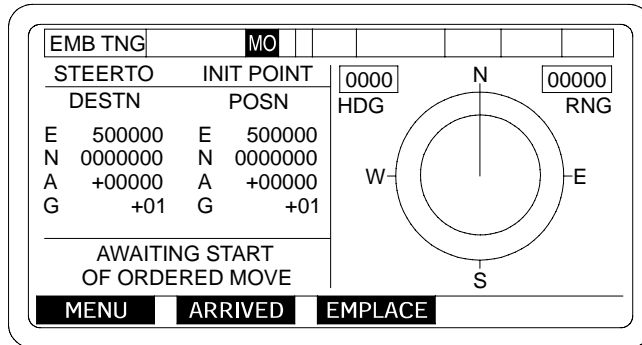
06pc228m

- (2) Press the key under FINISHED. The SETUP AND INFORMATION menu will be displayed. This action will complete the AFCS/PDFCS initialization process (all asterisked items must be initialized). ■

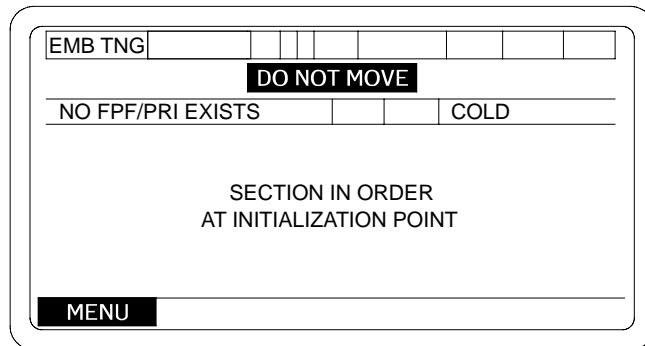
F-4 LEVEL OF OPERATION - CONTINUED

F-4.3 Levels 3 and 4 - Continued

- n. Store default ammo inventory. When Initialization is complete (alignment countdown finished), press CANCEL key in the SETUP AND INFORMATION menu to display a MOVE ORDER in level 3 or SECTION IN ORDER at INITIALIZATION POINT in level 4.



06pc229m



06pc230m

- (1) To store the default Ammo Inventory, press the menu key to display SETUP AND INFORMATION menu.

F-4 LEVEL OF OPERATION - CONTINUED

F-4.3 Levels 3 and 4 - Continued

- (2) Move the box to AMMO INVENTORY and press the key under SELECT. An INVENTORY MANAGEMENT menu will be displayed.

EMB TNG

SETUP AND INFORMATION

SET DATE/TIME	TOT RESPONSE
BCS DATA XFER	LOAD ELEVATION
ENTER MAP/DATUM	SECTOR OF FIRE
NAV UPDATE	RECEIVED MSG
AMMO INVENTORY	WARNING MSG
PROP TEMP	MAX TUBE EL
MVV ROUNDS	SITE DATA
	SEND CHECKFIRE

SELECT **NEXTPAGE**

06pc231m

- (3) Using the arrow keys, move box to EDIT BCS PROVIDED on the INVENTORY MANAGEMENT menu; then press the key under SELECT. Another INVENTORY MANAGEMENT menu will be displayed.

EMB TNG

INVENTORY MANAGEMENT

EDIT CURRENT AFCS

EDIT BCS PROVIDED

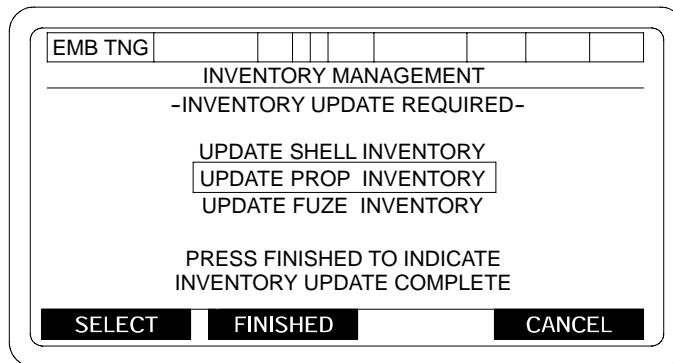
SELECT **CANCEL**

06pc232m

F-4 LEVEL OF OPERATION - CONTINUED

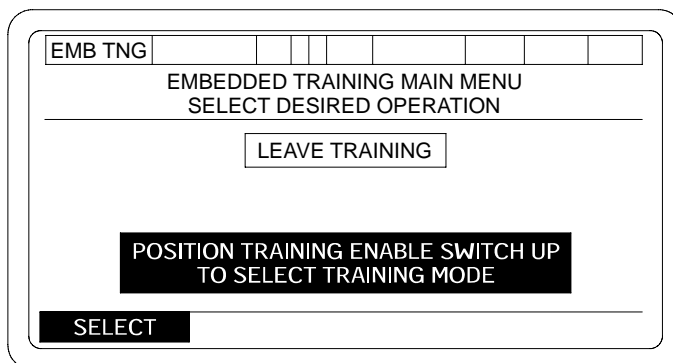
F-4.3 Levels 3 and 4 - Continued

- (4) Press the key under FINISHED on this INVENTORY MANAGEMENT menu to store the default Ammo Inventory into the trainer.



06pc233m

- o. To exit the training mode while in a scenario, switch the trainer switch on the DU panel/keypad to the off position. The EMBEDDED TRAINING MAIN MENU will be displayed.



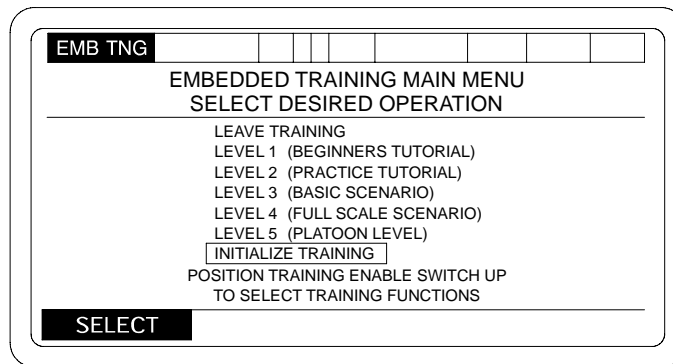
06pc234m

- p. Press the key under SELECT. The system will automatically do a restart and return to the SELECT OPERATIONAL MODE menu.

F-5 INITIALIZE TRAINING OPTION

Initialize Training will allow selection of scenario type, enable/disable state for faults, and provide a default Ammunition Inventory. If faults are allowed, faults will be inserted into the scenario sequence to emulate degraded system operation. This will allow you to respond to faults as you would in a “Real World” situation. Additional events will be enabled in scenarios to emulate interruption of normal function/task flow. Performance measurement will be provided for this level of training. To use the Initialize Training option perform the following procedures:

- a. Use the arrow keys to move box to INITIALIZE TRAINING on the EMBEDDED TRAINING MAIN Menu.



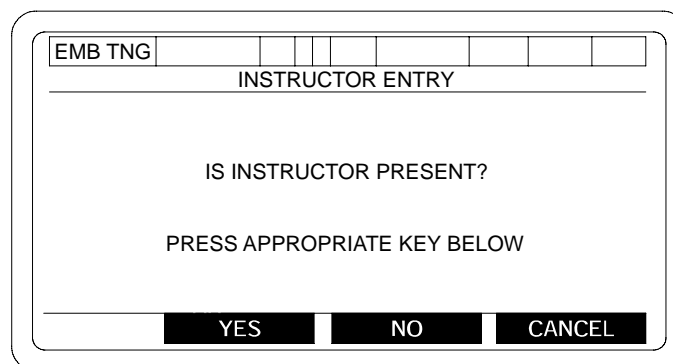
06pc235m

NOTE

If ET, BCWC or NAV is not operational, then the following will not be displayed.

LEVEL 3 (BASIC SCENARIO)
 LEVEL 4 (FULL SCALE SCENARIO) and
 INITIALIZE TRAINING

- b. Press key under SELECT. An INSTRUCTOR ENTRY menu will be displayed.

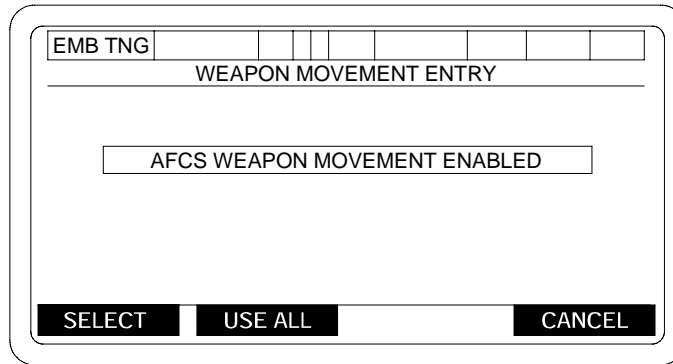


06pc236m

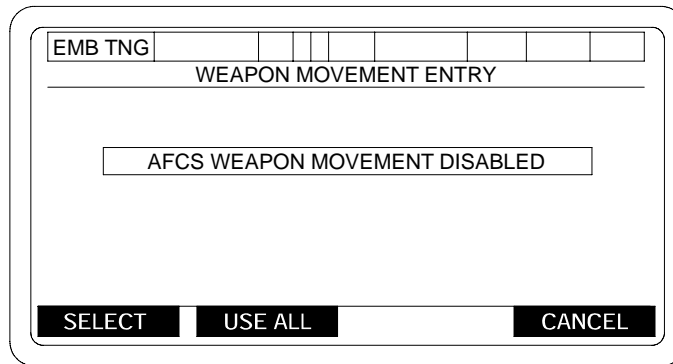
- c. Press either the YES or NO key. This will cause a WEAPON MOVEMENT ENTRY menu to be displayed.

F-5 INITIALIZE TRAINING OPTION - CONTINUED

- d. The WEAPON MOVEMENT ENTRY menu allows you to select whether the weapon will move during the training scenario or remain stationary. One of the 2 menus shown will appear, depending upon whether the weapon is in the enable or disable mode.



06pc237m



06pc238m

F-5 INITIALIZE TRAINING OPTION - CONTINUED

- e. To change from enabled to disabled or from disabled to enabled, press the key under SELECT. One of the following menus will be displayed. To change the Weapon Movement, press the key under YES. If a change is not desired at this time press the key under NO.

EMB TNG									
WEAPON MOVEMENT ENTRY									
AFCS WEAPON MOVEMENT ENABLED									
CHANGE TO DISABLE?					YES	NO			

06pc239m

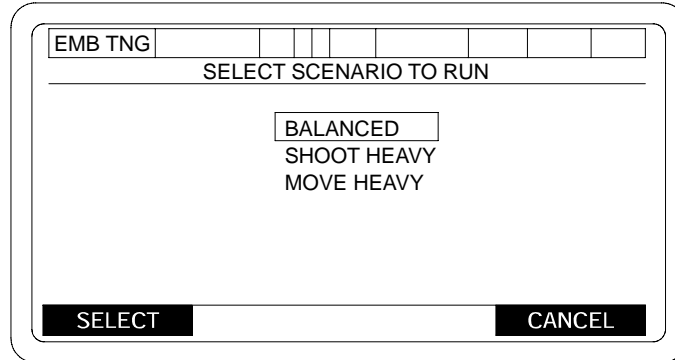
EMB TNG									
WEAPON MOVEMENT ENTRY									
AFCS WEAPON MOVEMENT DISABLED									
CHANGE TO ENABLE?					YES	NO			

06pc240m

F-5 INITIALIZE TRAINING OPTION - CONTINUED

F-5.1 Scenario - Continued

- b. Move box using arrow keys on DU/keypad to the desired scenario to be changed, then press SELECT key. This will cause the SELECT TRAINING FUNCTION menu to be redisplayed.



hpc4106

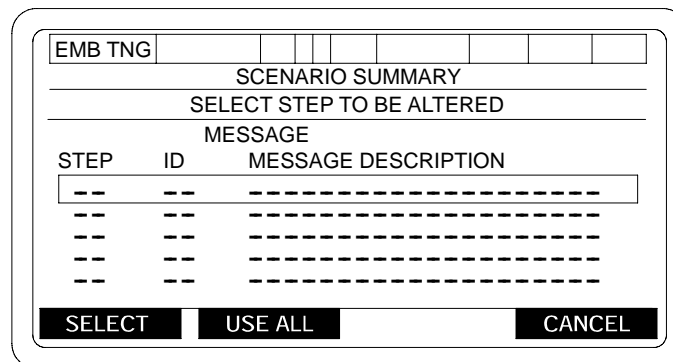
F-5.1.2 Alter Existing Scenario.

This option allows modification of the current scenario. The CURRENT SCENARIO shown in the SELECT TRAINING FUNCTION menu is the one to be modified.

- a. Using the arrow keys on the DU/keypad, move the box to ALTER EXISTING SCENARIO, then press the key under SELECT. A SCENARIO SUMMARY menu will be displayed.

SCENARIO SUMMARY Menu

- b. The SCENARIO SUMMARY menu allows a single step in the scenario to be changed. To accomplish this, use the arrow keys to move the cursor to the desired step to be changed and press the key under SELECT. An ALTER SCENARIO LOCATION menu will be displayed.



06pc242m

F-5 INITIALIZE TRAINING OPTION - CONTINUED

F-5.1 Scenario - Continued

ALTER SCENARIO LOCATION Menu

NOTE

The LOCATION OFFSET will be Easting and Northing in meters, measured from southwest corner of appropriate area; Target grid or Howitzer grid depending on whether Message ID is for Fire Mission or Move Mission. If Message ID is for neither, then LOCATION OFFSET will have no meaning for that step.

- c. To alter a location, move cursor to EASTING or NORTHING and press the key under SELECT, type in desired offset (0 - 9999 meters) and press ENT key on DU/keypad. When both desired offsets have been entered, press key under USE ALL. The SCENARIO SUMMARY menu is then displayed. When all desired steps of the SCENARIO SUMMARY menu have been changed/alterred, press the USE ALL key. This will cause the SELECT TRAINING FUNCTION menu to be redisplayed.

EMB TNG

ALTER SCENARIO LOCATION

EASTING NORTHING

LOCATION OFFSET

SELECT USE ALL CANCEL

06pc243m

F-5 INITIALIZE TRAINING OPTION - CONTINUED

F-5.1 Scenario - Continued

F-5.1.3 Select Scenario Options.

This menu allows the operator to select options in a scenario. Use the following steps.

- a. Move box to SELECT SCENARIO OPTIONS on the SELECT TRAINING FUNCTION menu and press the key under SELECT to display the SELECT SCENARIO OPTIONS menu.
- b. The Scenario Options will be listed as “YES” or “NO” when the menu appears on the display. To make a change, use the arrow keys to move box to the desired line and press the SELECT key.

A prompt will appear (change to YES - YES/NO or change to NO - YES/NO). Make the desired choice. That choice will then appear on the menu.

- c. When desired options have been changed, press the key under USE ALL. USE ALL will enter any changes and return you to the SELECT TRAINING FUNCTION menu.

06pc244m

F-5.1.4 Edit Failures.

This option permits the operator to change or define a failure operation in a scenario. Perform the following steps to accomplish failure changes.

- a. Using the arrow keys move the box to EDIT FAILURES on the Select Training Function menu and press the key under SELECT. A FAILURE OPERATIONS menu will be displayed.

F-5 INITIALIZE TRAINING OPTION - CONTINUED

F-5.1 Scenario - Continued

EMB TNG									
FAILURE OPERATIONS									
SELECT DEVICE									
	NAV DEVICE								11
	WPN								NO
	ELECTRICAL SYS								NO
	HYDRAULIC SYS							05 : 00	
	DIGITAL RADIO								NO
SELECT			USE ALL				CANCEL		

06pc082m

NOTE

To the right of each device shown in the menu there may appear the word "NO" if no failure for the device is desired, a time if a time failure has been selected or a number between 1 and 99 if a step failure has been selected.

- b. FAILURE OPERATIONS menu allows the operator to program the failures that will occur during the training scenario. To select a device/system, use the arrow keys to move box to selection, then press the key under SELECT. The SELECT TIME OR STEP ACTIVATION menu will be displayed. USE OPERATOR SELECTED FAILURES (YES) on the SELECT SCENARIO OPTIONS menu must have been selected or this step will not work.

F-5 INITIALIZE TRAINING OPTION - CONTINUED

F-5.1 Scenario - Continued

- c. The SELECT TIME OR STEP ACTIVATION menu allows the operator to have the selected device fail at a particular time in the scenario or have the device fail at a particular step in the scenario.

06pc245m

For a time failure, use the arrow keys to move the cursor to TIME ACTIVATED FAILURE on the SELECT TIME OR STEP ACTIVATION menu and press the key under SELECT. A TIME OF FAILURE menu will appear on the display.

Type in the time for the failure to occur and press the ENT key. This will return the FAILURE OPERATIONS menu to the display and the time entered will appear to the right of the device previously selected.

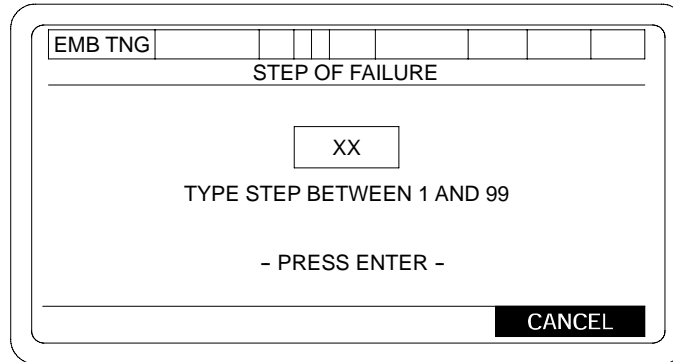
06pc246m

- d. For a Step Failure move the cursor to STEP ACTIVATED FAILURE on the SELECT TIME OR STEP ACTIVATION menu and press the key under SELECT. A STEP OF FAILURE menu will be displayed.

F-5 INITIALIZE TRAINING OPTION - CONTINUED

F-5.1 Scenario - Continued

Type in the step where the failure is to occur and press the ENTER key. This will return the display to the FAILURE OPERATIONS menu and the step number you entered will appear to the right of the device you previously selected.



06pc247m

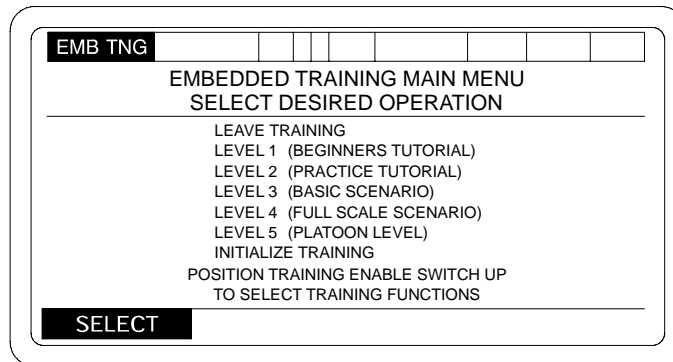
- e. If NO FAILURE is selected from the SELECT TIME OR STEP ACTIVATION menu, the FAILURE OPERATIONS menu will be returned to the display and the word "NO" will appear next to the device previously selected.

NOTE

The above operation must be performed for each device/system selected for failures.

F-5.2 Leave Initialization.

When all desired changes to the Scenario have been completed, move the cursor to LEAVE INITIALIZATION on the SELECT TRAINING FUNCTION menu and press key under SELECT. This will return the EMBEDDED TRAINING MAIN MENU to the display.



06pc248m

NOTE

If ET, BCWC or NAV is not operational, then the following will not be displayed.

LEVEL 3 (BASIC SCENARIO)
LEVEL 4 (FULL SCALE SCENARIO) and
INITIALIZE TRAINING

F-5 INITIALIZE TRAINING OPTION - CONTINUED

F-5.3 Running a Modified Scenario.

- a. Select Level 3 (Basic Scenario) or Level 4 (Full Scale Scenario) from the MAIN MENU. This will cause a SELECT METHOD OF SAVING PERFORMANCE DATA menu to be displayed.

EMB TNG

SELECT METHOD OF SAVING PERFORMANCE DATA

ADD PERFORMANCE DATA TO EXISTING

CREATE NEW PERFORMANCE DATA RECORD
(OLD DATA WILL BE LOST)

SELECT CANCEL

06pc249m

- b. Selection of either method will cause a SELECT SCENARIO TO RUN menu to appear on the display.
- c. Move the cursor to MODIFIED on the SELECT SCENARIO TO RUN and press the key under SELECT.

NOTE

A Modified scenario will be available only if an existing scenario has been changed by using the options available under INITIALIZE TRAINING or a scenario has been put into the trainer using the serial port. If no Modified scenario is available, the line Modified will not appear on the menu.

EMB TNG

SELECT SCENARIO TO RUN

BALANCED

SHOOT HEAVY

MOVE HEAVY

MODIFIED

SELECT CANCEL

06pc250m

- d. Steps to DEFINE SCENARIO AREAS are same as previously discussed. Initialization for training steps are also the same.

F-5 INITIALIZE TRAINING OPTION - CONTINUED

F-5.4 Download a Scenario.

This option will allow the user to install a customized training scenario which has been developed on an external source into the embedded trainer. This feature will allow the design of a training scenario to meet a specific need.

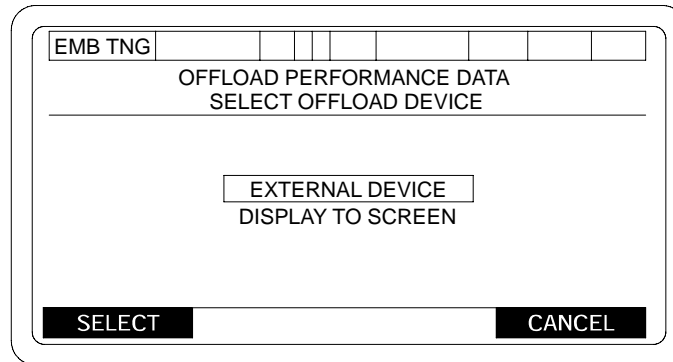
F-5.5 Offload Performance Data.

This option permits the user to look at the data collected in the performance file of the embedded trainer. The performance file contains data on the following areas:

- Time to Perform Emplacement
 - Time to Perform Ammunition Inventory
 - Time to Initialize AFCS/PDFCS After Power Up
 - Time to Perform Fire Mission
 - Crew Precision in Location and Orientation of the Howitzer
 - Records unauthorized operator activity during an Embedded Training Scenario
 - Any UTE (Unable to execute) or BAT (Be advised that) messages that are sent
- a. To look at the performance data on the display, move the box to OFFLOAD PERFORMANCE DATA on the SELECT TRAINING FUNCTION menu and press the key under SELECT. A SELECT OFFLOAD DEVICE menu will be displayed.

NOTE

Menus are available to use an external device; however, the device to use is TBD.

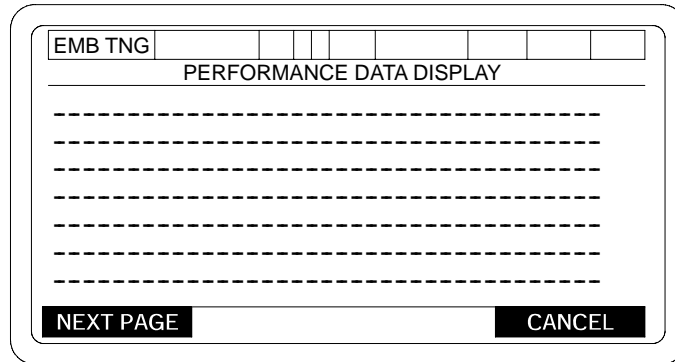


06pc251m

F-5 INITIALIZE TRAINING OPTION - CONTINUED

F-5.5 Offload Performance Data - Continued

- b. To display the data to the DU/PDU display use the arrow keys to move the box to DISPLAY TO SCREEN and press the key under SELECT. A PERFORMANCE DATA DISPLAY menu will be displayed.
- c. To view all data, press key under NEXT PAGE. Use the CANCEL key to exit this menu.



06pc252m

F.1-3 ENTERING TRAINING MODE.

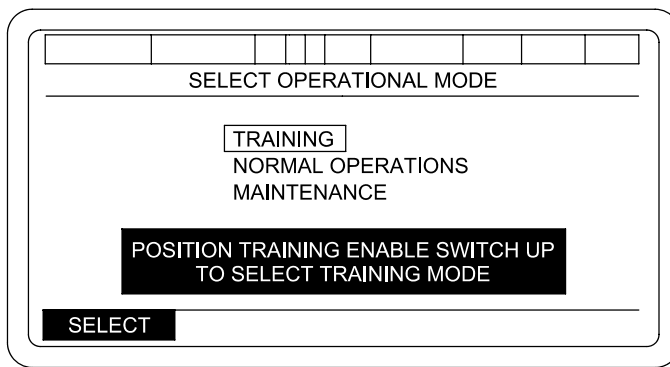
To begin training, proceed as follows:

a. Enter the training mode of operation.

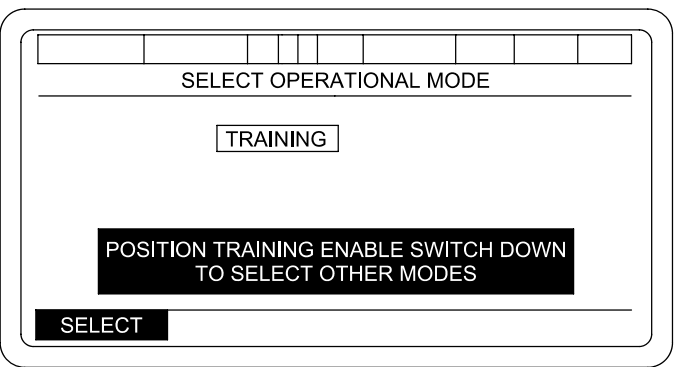
- (1) If the AFCS/PDFCS is OFF, ensure vehicle MASTER switch is ON, the PCU/PCU - 2 circuit breakers are in the ON position, then turn the DU/PDFCS power switch ON. Refer to System Power Up, para 2-12.1 for AFCS or 2-15B.1 for PDFCS.
- (2) If the AFCS/PDFCS is ON, go to the SETUP AND INFORMATION menu and select SYSTEM RESTART.

First a POWER UP STATUS menu, then a SELECT OPERATIONAL MODE menu, will be displayed.

b. Set DU/PDU training switch to ON (up).

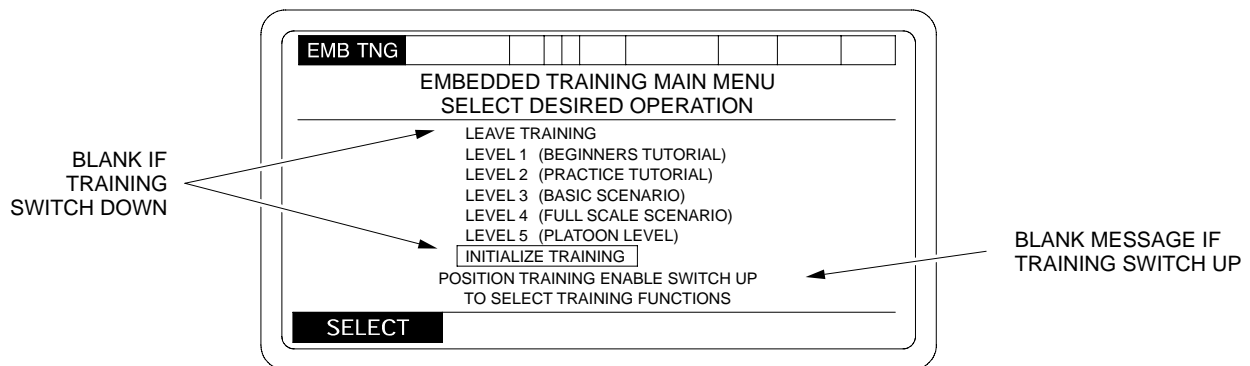


06pc215ma



06pc216ma

c. Press SELECT key. The EMBEDDED TRAINING MAIN MENU will be displayed.



06pc217m

NOTE

If ET, BCWC or NAV is not operational, then the following will not be displayed.

- LEVEL 3 (BASIC SCENARIO)
- LEVEL 4 (FULL SCALE SCENARIO) and
- INITIALIZE TRAINING

F.1-3 ENTERING TRAINING MODE - CONTINUED

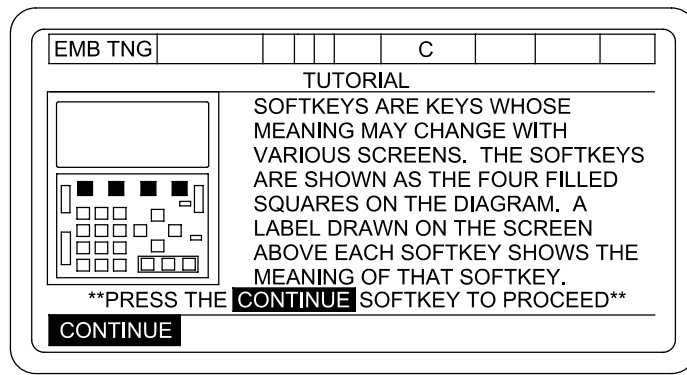
- d. Select desired training level or Initialize Training.
 - (1) Use the arrow keys to box the desired selection.
 - (2) Press SELECT key.

F.1-4 LEVEL OF OPERATION.

Sections F-4 thru F-5.5 explain the operation of Level 1, Level 2, Level 3, Level 4, and Initialize Training.

F.1-4.1 Level 1.

Selection of training Level 1 will provide the operator with information concerning the DU/PDU keys, menu, layout, use of menus, and menu editing.

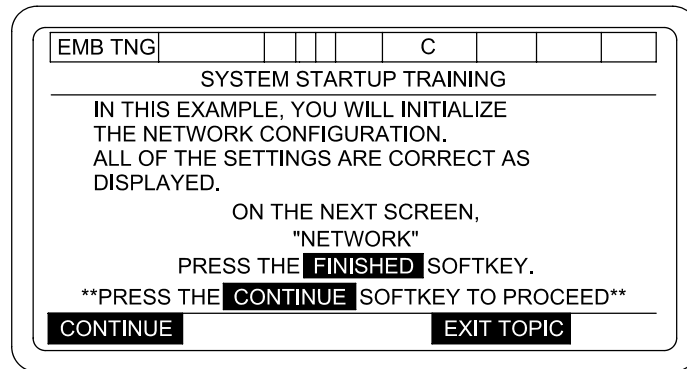


06pc287t

Example of Level 1 Training

F.1-4.2 Level 2.

Selection of Level 2 will provide the operator with step-by-step drills. A menu will allow either selection of a specific function or drill or a complete (but simplified) sequence of instructions which represent normal AFCS/PDFCS Operation. You will have the option to repeat this training level or proceed to next higher (or lower) level. Any data required for input to AFCS/PDFCS (initialization point data, ammo inventory, etc.) will be provided. Performance measurement is not available at this level.



06pc288t

F.1-4 LEVEL OF OPERATION - CONTINUED

EMB TNG					C			
NETWORK								
CFG	STATUS	DEVICE	BAUD	COMSEC	MODE			
8	*ACTIVE*	SINGGARS	4800N	CT	FH			
0		TACFIRE	4800					

SELECT		FINISHED		VIEW				

EMB TNG					C			
SYSTEM STARTUP TRAINING								
<p>CORRECT. THE REST OF SYSTEM STARTUP IS DONE USING THE "SETUP AND INFORMATION" MENU. THIS MENU HAS TWO PAGES. A SOFTKEY LABELED NEXTPAGE IS USED TO SEE THE OTHER PAGE OF THE MENU.</p>								
PRESS THE CONTINUE SOFTKEY TO PROCEED								
CONTINUE			EXIT TOPIC					

06pc289t

Example of Level 2 Training

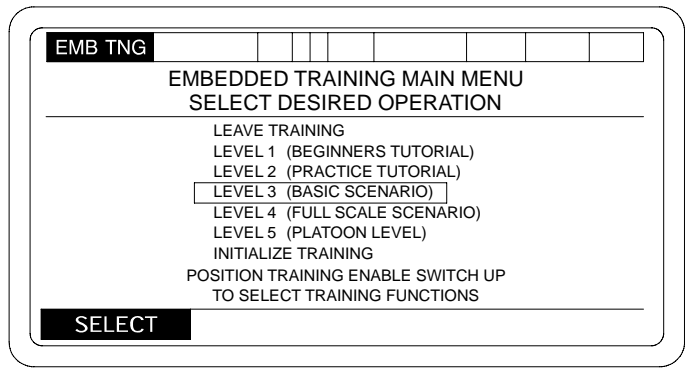
F.1-4 LEVEL OF OPERATION - CONTINUED

F.1-4.3 Levels 3 and 4.

If Level 3 is selected you will receive Scenario Training by Event. Each scenario event will be presented to you one at a time with each event completing before next event is presented. Initialization entries will allow selection of scenario type, enable or disable state for faults, and provide a default ammunition inventory. When faults are allowed, each fault will be a separate scenario event. Performance measurement will be provided for this level of training.

To perform Level 3 or Level 4 Training use the following procedure:

- a. Use arrow keys on DU/PDU to move box to Level 3 (Basic Scenario) or Level 4 (Full Scale Scenario) on the EMBEDDED TRAINING MAIN MENU.



06pc222m

NOTE

If ET, BCWC or NAV is not operational, then the following will not be displayed.
 LEVEL 3 (BASIC SCENARIO)
 LEVEL 4 (FULL SCALE SCENARIO) and
 INITIALIZE TRAINING

- b. Press key beneath SELECT. This will cause the SELECT METHOD OF SAVING PERFORMANCE DATA menu to appear.
- c. Using arrow keys, move box to desired selection.

F.1-4 LEVEL OF OPERATION - CONTINUED

F.1-4.3 Levels 3 and 4 - Continued

NOTE

Pressing the key under CANCEL will cause EMBEDDED TRAINING main menu to be displayed

- (1) Selection of ADD PERFORMANCE DATA TO EXISTING line will cause data collected during next scenario to be added to data in the file.
- (2) Selection of CREATE NEW PERFORMANCE DATA RECORD line will cause data previously collected to be lost.

```

    EMB TNG
    SELECT METHOD OF SAVING PERFORMANCE DATA

    ADD PERFORMANCE DATA TO EXISTING
    CREATE NEW PERFORMANCE DATA RECORD
    (OLD DATA WILL BE LOST)

    SELECT          CANCEL
    
```

06pc223m

F.1-4 LEVEL OF OPERATION - CONTINUED

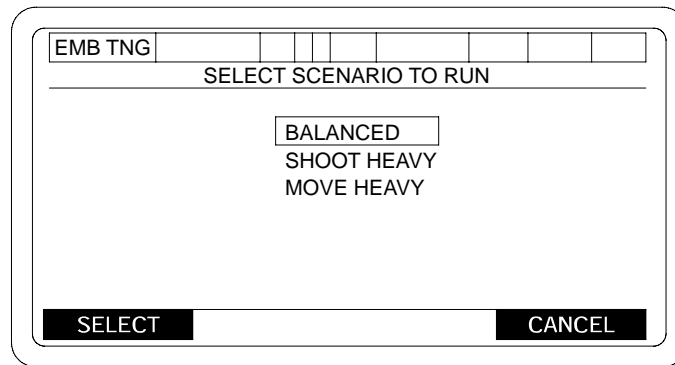
F.1-4.3 Levels 3 and 4 - Continued

- d. Press the key under SELECT for desired method of saving performance data. A SELECT SCENARIO TO RUN menu will be displayed.
- e. Using arrow keys, move box to desired selection.

NOTE

Pressing the key under CANCEL will return the SELECT METHOD OF SAVING PERFORMANCE DATA menu to the display.

- (1) A "BALANCED" scenario has a ratio of Fire Missions to Moves of 4/1.
- (2) A "SHOOT HEAVY" scenario has a ratio of Fire Missions to Moves of 8/1.
- (3) A "MOVE HEAVY" scenario has a ratio of Fire Missions to Moves of 2/1.



06pc224m

F.1-4 LEVEL OF OPERATION - CONTINUED

F.1-4.3 Levels 3 and 4 - Continued

- f. Press the key under SELECT for desired scenario. After a scenario has been selected, the DEFINE SCENARIO AREAS menu (Grid Zone) will appear.

NOTE

Data entered in the DEFINE SCENARIO AREAS menu must indicate the howitzer's current location. It must be the "True Life" location of the howitzer. Enter data prior to changing + or - sign.

EMB TNG

DEFINE SCENARIO AREAS

GRID ZONE: []

HEMISPHERE []

TYPE GRID ZONE

BETWEEN 1 AND 60

--PRESS ENT KEY--

CANCEL

06pc225m

- g. Enter desired grid zone and press ENT key on the DU panel/keypad. Select proper HEMISPHERE. Press USE ALL key to display the DEFINE SCENARIO AREAS menu.

F.1-4 LEVEL OF OPERATION - CONTINUED

F.1-4.3 Levels 3 and 4 - Continued

① The following prompts will appear on the DEFINE SCENARIO AREAS menu:

- TYPE EASTING OF SW CORNER BETWEEN 0 AND 999999 -PRESS ENT-
- TYPE EASTING OF NE CORNER BETWEEN 0 AND 999999 -PRESS ENT-
- TYPE NORTHING OF SW CORNER BETWEEN 0 AND 9999999 -PRESS ENT-
- TYPE NORTHING OF NE CORNER BETWEEN 0 AND 9999999 -PRESS ENT-

The screenshot shows a terminal window titled "DEFINE SCENARIO AREAS". At the top, there is a header bar with several empty boxes. Below the title, there are two columns labeled "EASTING" and "NORTHING". The data is organized into two sections: "TARGET:" and "HOWITZER GRID:". The "TARGET:" section shows SW coordinates (500000 Easting, 5000 Northing) and NE coordinates (505000 Easting, 10000 Northing). The "HOWITZER GRID:" section shows SW coordinates (505000 Easting, 5000 Northing) and NE coordinates (515000 Easting, 10000 Northing). A circled "1" is positioned below the "HOWITZER GRID:" section. At the bottom of the window, there are three buttons: "SELECT", "USE ALL", and "CANCEL".

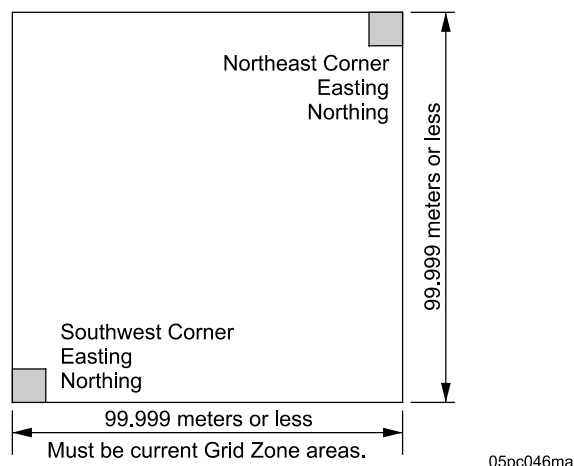
		EASTING	NORTHING
TARGET:	SW	500000	5000
	NE	505000	10000
HOWITZER GRID:	SW	505000	5000
	NE	515000	10000

06pc290t

F.1-4 LEVEL OF OPERATION - CONTINUED

F.1-4.3 Levels 3 and 4 - Continued

- h. Enter information for TARGET on DEFINE SCENARIO AREAS menu. This the area in which all target locations must lie (within a 10,000 square meter area). The target grid consists of Northing and Easting of southwest corner and Northing and Easting of northeast corner.
- (1) Using the arrow keys, move box to TARGET SW field under Easting on the DEFINE SCENARIO AREAS menu.
 - (2) Press the key under SELECT, then type in grid coordinates of the easting of the southwest corner of desired operational area and press ENT key on DU/keypad.
 - (3) Using arrow keys, move box to TARGET SW under Northing and press the key under SELECT. Type in Northing grid coordinates of the southwest corner of operational area and press ENT key on DU/keypad.



Target Grid

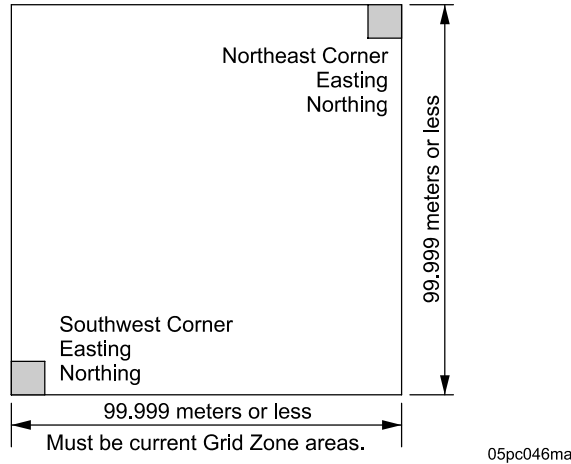
- (4) Using the arrow keys, move the box to TARGET NE under the Easting on the DEFINE SCENARIO AREAS menu and press the key under SELECT. Type in the Easting grid coordinates of the Northwest corner of the operational area and press the ENT key on the DU/keypad.
 - (5) Using the arrow keys on the DU, move the cursor to TARGET NE under the Northing and press the key under SELECT of the DEFINE SCENARIO AREAS menu. Type in Northing of Northeast corner of the operational area and press ENT key on DU/keypad.
- i. Enter information for HOWITZER GRID on DEFINE SCENARIO AREAS menu. This is the area to which all howitzer movements must be confined (10 km or less). It consists of Northing and Easting of southwest corner and Northing and Easting of northeast corner. If howitzer is to remain stationary, refer to note below.

F.1-4 LEVEL OF OPERATION - CONTINUED

F.1-4.3 Levels 3 and 4 - Continued

NOTE

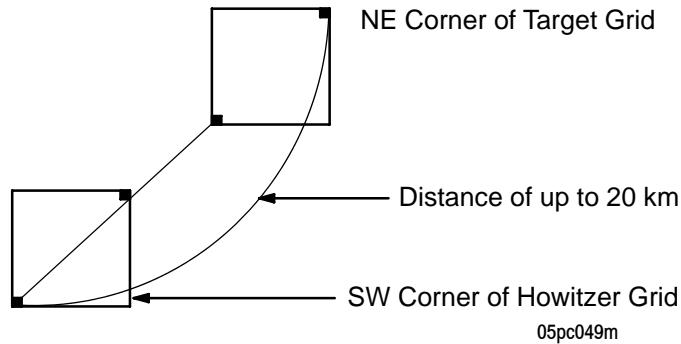
If vehicle is to remain stationary during Level 3 and 4 Training define howitzer area map 1 meter by 1 meter (this will prevent difficulties during a Move Order mission).



Howitzer Grid

NOTE

The maximum distance between the farthest corners of the Target Grid and Howitzer Grid must be less than 20 km to develop simulated fire missions (required for real ballistic computation).



To enter Howitzer grid data use the same procedures described for TARGET.

NOTE

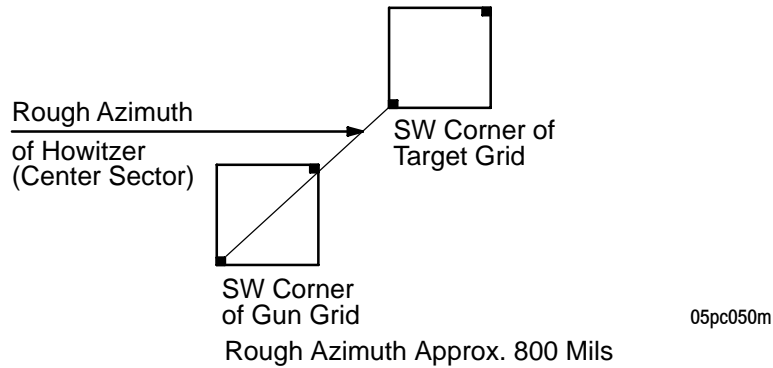
If a target or howitzer coordinate which is outside map grid or is inconsistent with other values is entered, an Alert of either "ILLEGAL TARGET AREA" or "ILLEGAL HOWITZER AREA" will be displayed. Press the CONFIRM key for the operator Alert and enter correct/proper data.

- j. When all the desired data has been entered on the DEFINE SCENARIO AREAS menus, press the USE ALL key. This will force the AFCS/PDFCS into initialization as in Normal Operations.

F.1-4 LEVEL OF OPERATION - CONTINUED

F.1-4.3 Levels 3 and 4 - Continued

- k. Initialize AFCS/PDFCS. Initialization of the AFCS/PDFCS is done according to initialization described in Normal Operations with the following exceptions:
 - “True Life” data required for NAV RESTART (initialization point, grid and grid zone).
 - AZIMUTH OF FIRE data in SECTOR OF FIRE menu must be the rough azimuth from Howitzer Grid Southwest Corner to Target Grid Southwest Corner as shown in illustration.



Other initialization data to be provided by the instructor.

- l. Enter Embedded Trainer Ammunition Inventory information.

To use the default ammunition inventory, perform the following procedure while doing the AFCS/PDFCS initialization:

Embedded Trainer Ammunition Inventory - Basic Load

PROJECTILES

M483A1 (DPICM)	20	} Total of 39
M107 (HE)	10	
M825 (SMOKE)	03	
M549A1 (RAP)	02	
M485 (ILLUM)	02	
M712 (CPH)	02	

PROPELLANTS

M4A2	15	} Total of 56
M119A2	15	
M203	08	
M3A1	18	

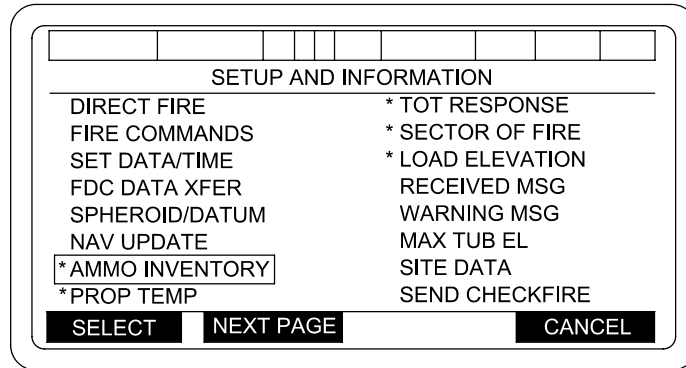
FUZES

M577 (MT)	28	} Total of 50
M582 (MTSQ)	06	
M78 (CP)	04	
M557 (PD)	12	

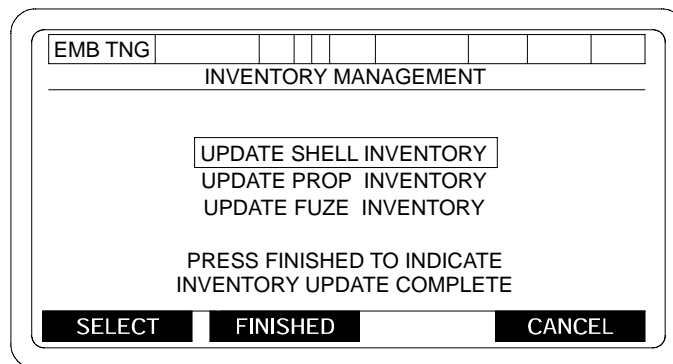
F.1-4 LEVEL OF OPERATION - CONTINUED

F.1-4.3 Levels 3 and 4 - Continued

- (1) On the SETUP AND INFORMATION menu box AMMO INVENTORY; then press the key under SELECT. An INVENTORY MANAGEMENT menu will be displayed.



06pc291t



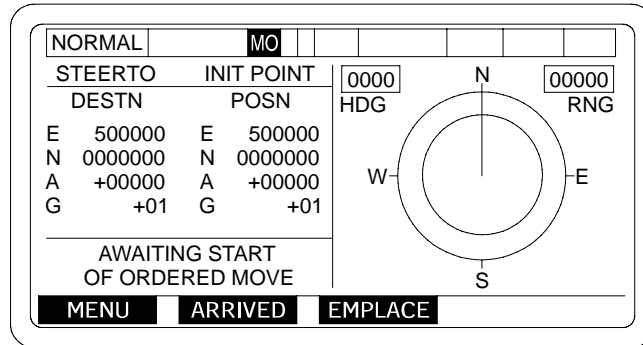
06pc228m

- (2) Press the key under FINISHED. The SETUP AND INFORMATION menu will be displayed. This action will complete the AFCS/PDFCS initialization process (all asterisked items must be initialized).

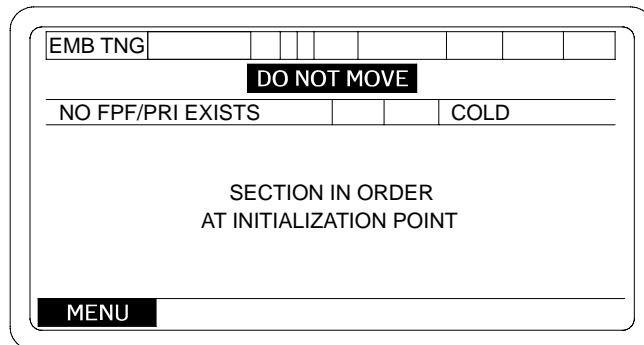
F.1-4 LEVEL OF OPERATION - CONTINUED

F.1-4.3 Levels 3 and 4 - Continued

- m. Store default ammo inventory. When Initialization is complete (alignment countdown finished), press CANCEL key in the SETUP AND INFORMATION menu to display a MOVE ORDER in level 3 or SECTION IN ORDER at INITIALIZATION POINT in level 4.



06pc229m



06pc230m

- (1) To store the default Ammo Inventory, press the menu key to display SETUP AND INFORMATION menu.

F.1-4 LEVEL OF OPERATION - CONTINUED

F.1-4.3 Levels 3 and 4 - Continued

- (2) Move the box to AMMO INVENTORY and press the key under SELECT. An INVENTORY MANAGEMENT menu will be displayed.

SETUP AND INFORMATION	
DIRECT FIRE	TOT RESPONSE
FIRE COMMANDS	SECTOR OF FIRE
SET DATA/TIME	LOAD ELEVATION
FDC DATA XFER	RECEIVED MSG
SPHEROID/DATUM	WARNING MSG
NAV UPDATE	MAX TUB EL
AMMO INVENTORY	SITE DATA
PROP TEMP	SEND CHECKFIRE

SELECT **NEXT PAGE** **CANCEL**

06pc291t

- (3) Using the arrow keys, move box to EDIT FDC PROVIDED on the INVENTORY MANAGEMENT menu; then press the key under SELECT. Another INVENTORY MANAGEMENT menu will be displayed.

INVENTORY MANAGEMENT	
EDIT CURRENT PALADIN	
EDIT FDC PROVIDED	

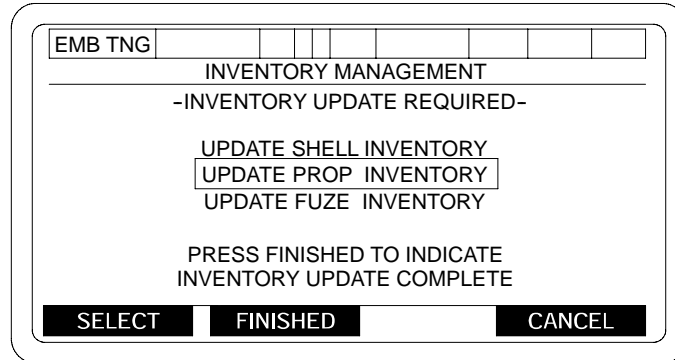
SELECT **CANCEL**

06pc292t

F.1-4 LEVEL OF OPERATION - CONTINUED

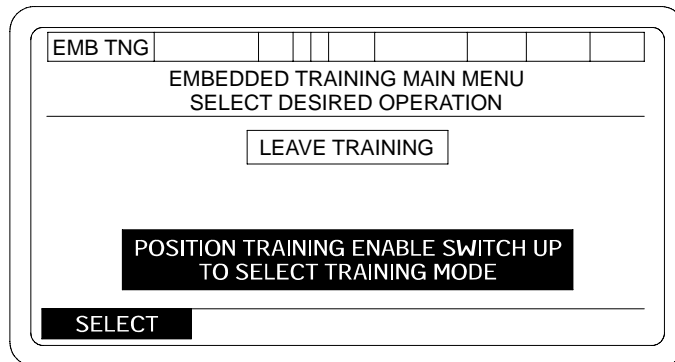
F.1-4.3 Levels 3 and 4 - Continued

- (4) Press the key under FINISHED on this INVENTORY MANAGEMENT menu to store the default Ammo Inventory into the trainer.



06pc233m

- n. To exit the training mode while in a scenario, switch the trainer switch on the DU panel/keypad to the OFF position. The EMBEDDED TRAINING MAIN MENU will be displayed.



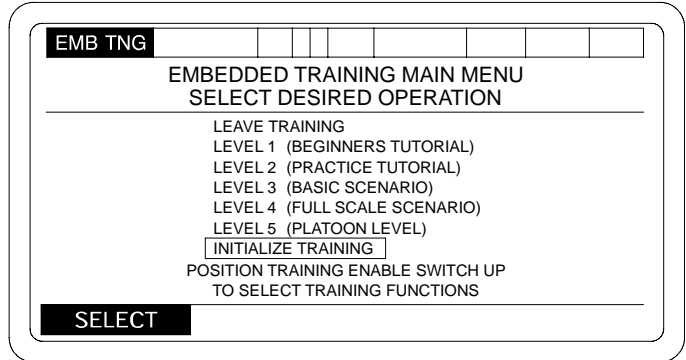
06pc234m

- o. Press the key under SELECT. The system will automatically do a restart and return to the SELECT OPERATIONAL MODE menu.

F.1-5 INITIALIZE TRAINING OPTION

Initialize Training will allow selection of scenario type, enable/disable state for faults, and provide a default Ammunition Inventory. If faults are allowed, faults will be inserted into the scenario sequence to emulate degraded system operation. This will allow you to respond to faults as you would in a “Real World” situation. Additional events will be enabled in scenarios to emulate interruption of normal function/task flow. Performance measurement will be provided for this level of training. To use the Initialize Training option perform the following procedures:

- a. Use the arrow keys to move box to INITIALIZE TRAINING on the EMBEDDED TRAINING MAIN Menu.



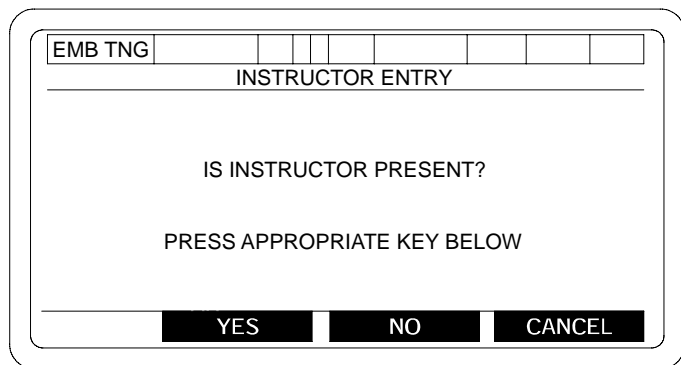
06pc235m

NOTE

If ET, BCWC or NAV is not operational, then the following will not be displayed.

- LEVEL 3 (BASIC SCENARIO)
- LEVEL 4 (FULL SCALE SCENARIO) and
- INITIALIZE TRAINING

- b. Press key under SELECT. An INSTRUCTOR ENTRY menu will be displayed.



06pc236m

- c. Press either the YES or NO key. This will cause a WEAPON MOVEMENT ENTRY menu to be displayed.

F.1-5 INITIALIZE TRAINING OPTION - CONTINUED

- d. The WEAPON MOVEMENT ENTRY menu allows you to select whether the weapon will move during the training scenario or remain stationary. One of the 2 menus shown will appear, depending upon whether the weapon is in the enable or disable mode.

The screenshot shows a rectangular menu box with a rounded top. At the top left, there is a field labeled 'EMB TNG' followed by a series of empty boxes. Below this is the title 'WEAPON MOVEMENT ENTRY'. In the center, a box contains the text 'AFCS WEAPON MOVEMENT ENABLED'. At the bottom, there are three buttons: 'SELECT', 'USE ALL', and 'CANCEL'.

06pc237m

The screenshot shows a rectangular menu box with a rounded top, identical in layout to the one above. It features the 'EMB TNG' field, the title 'WEAPON MOVEMENT ENTRY', a central box with the text 'AFCS WEAPON MOVEMENT DISABLED', and buttons for 'SELECT', 'USE ALL', and 'CANCEL' at the bottom.

06pc238m

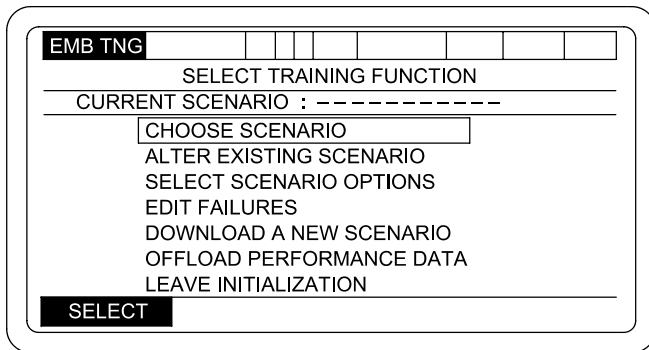
F.1-5 INITIALIZE TRAINING OPTION - CONTINUED

- f. To enter the Weapon Movement Entry, press key under USE ALL. A SELECT TRAINING FUNCTION menu will be displayed.

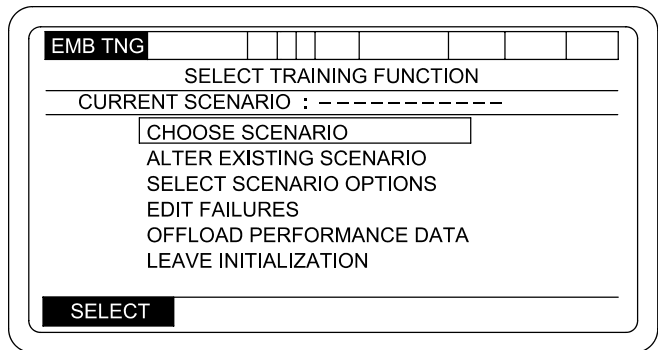
NOTE

The following options on the SELECT TRAINING FUNCTION menu will not be available if NO was pressed on the INSTRUCTOR ENTRY menu.

- ALTER EXISTING SCENARIO
- SELECT SCENARIO OPTIONS
- EDIT FAILURES



V7.00 SOFTWARE



V7P.00 SOFTWARE

06pc297t

F.1-5.1 Scenario.

F.1-5.1.1 Choose Scenario.

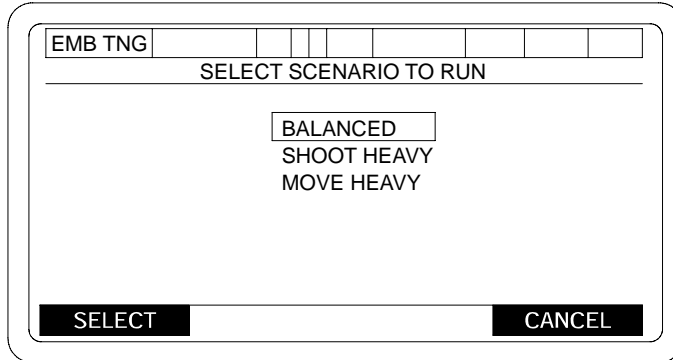
This option allows the operator to choose the scenario that he wants to alter/change.

- a. Using the arrow keys, move box to CHOOSE SCENARIO on the SELECT TRAINING FUNCTION menu and press the key under SELECT. A SELECT SCENARIO TO RUN menu will be displayed.

F.1-5 INITIALIZE TRAINING OPTION - CONTINUED

F.1-5.1 Scenario - Continued

- b. Move box using arrow keys on DU/keypad to the desired scenario to be changed, then press SELECT key. This will cause the SELECT TRAINING FUNCTION menu to be redisplayed.



hipc4106

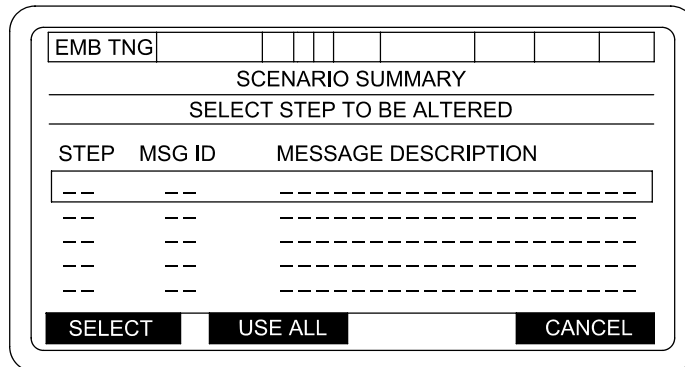
F.1-5.1.2 Alter Existing Scenario.

This option allows modification of the current scenario. The CURRENT SCENARIO shown in the SELECT TRAINING FUNCTION menu is the one to be modified.

- a. Using the arrow keys on the DU/keypad, move the box to ALTER EXISTING SCENARIO, then press the key under SELECT. A SCENARIO SUMMARY menu will be displayed.

SCENARIO SUMMARY Menu

- b. The SCENARIO SUMMARY menu allows a single step in the scenario to be changed. To accomplish this, use the arrow keys to move the cursor to the desired step to be changed and press the key under SELECT. An ALTER SCENARIO LOCATION menu will be displayed.



06pc293t

F.1-5 INITIALIZE TRAINING OPTION - CONTINUED

F.1-5.1 Scenario - Continued

ALTER SCENARIO LOCATION Menu

NOTE

The LOCATION OFFSET will be Easting and Northing in meters, measured from southwest corner of appropriate area; Target grid or Howitzer grid depending on whether Message ID is for Fire Mission or Move Mission. If Message ID is for neither, then LOCATION OFFSET will have no meaning for that step.

- c. To alter a location, move cursor to EASTING or NORTHING and press the key under SELECT, type in desired offset (0 - 9999 meters) and press ENT key on DU/keypad. When both desired offsets have been entered, press key under USE ALL. The SCENARIO SUMMARY menu is then displayed. When all desired steps of the SCENARIO SUMMARY menu have been changed/altered, press the USE ALL key. This will cause the SELECT TRAINING FUNCTION menu to be redisplayed.

EMB TNG

--	--	--	--	--	--	--	--	--	--	--	--

ALTER SCENARIO LOCATION

EASTING NORTHING

LOCATION OFFSET

SELECT USE ALL CANCEL

06pc243m

F.1-5 INITIALIZE TRAINING OPTION - CONTINUED

F.1-5.1 Scenario - Continued

F.1-5.1.3 Select Scenario Options.

This menu allows the operator to select options in a scenario. Use the following steps.

- a. Move box to SELECT SCENARIO OPTIONS on the SELECT TRAINING FUNCTION menu and press the key under SELECT to display the SELECT SCENARIO OPTIONS menu.
- b. The Scenario Options will be listed as “YES” or “NO” when the menu appears on the display. To make a change, use the arrow keys to move box to the desired line and press the SELECT key.

A prompt will appear (change to YES - YES/NO or change to NO - YES/NO). Make the desired choice. That choice will then appear on the menu.

- c. When desired options have been changed, press the key under USE ALL. USE ALL will enter any changes and return you to the SELECT TRAINING FUNCTION menu.

EMB TNG [] [] [] [] [] [] [] []

SELECT SCENARIO OPTIONS

USE OPERATOR CHOSEN FAILURES --

USE RANDOM FAILURES ---

USE RANDOM TARGETS ---

USE RANDOM DESTINATIONS ---

SELECT USE ALL CANCEL

06pc294t

F.1-5.1.4 Edit Failures.

This option permits the operator to change or define a failure operation in a scenario. Perform the following steps to accomplish failure changes.

- a. Using the arrow keys move the box to EDIT FAILURES on the Select Training Function menu and press the key under SELECT. A FAILURE OPERATIONS menu will be displayed.

F.1-5 INITIALIZE TRAINING OPTION - CONTINUED

F.1-5.1 Scenario - Continued

EMB TNG									
FAILURE OPERATIONS									
SELECT DEVICE									
	NAV DEVICE								11
	WPN								NO
	ELECTRICAL SYS								NO
	HYDRAULIC SYS							05 : 00	
	DIGITAL RADIO								NO
SELECT			USE ALL				CANCEL		

06pc082m

NOTE

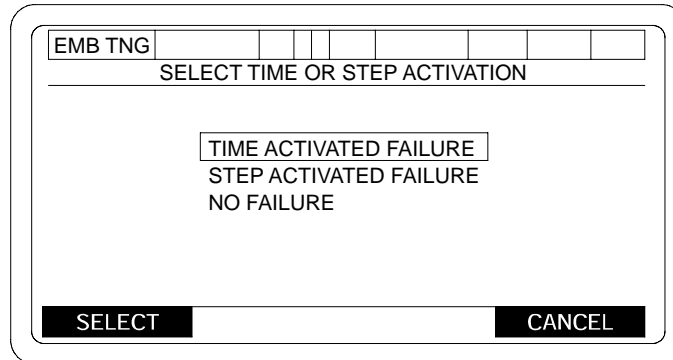
To the right of each device shown in the menu there may appear the word "NO" if no failure for the device is desired, a time if a time failure has been selected or a number between 1 and 99 if a step failure has been selected.

- b. FAILURE OPERATIONS menu allows the operator to program the failures that will occur during the training scenario. To select a device/system, use the arrow keys to move box to selection, then press the key under SELECT. The SELECT TIME OR STEP ACTIVATION menu will be displayed. USE OPERATOR SELECTED FAILURES (YES) on the SELECT SCENARIO OPTIONS menu must have been selected or this step will not work.

F.1-5 INITIALIZE TRAINING OPTION - CONTINUED

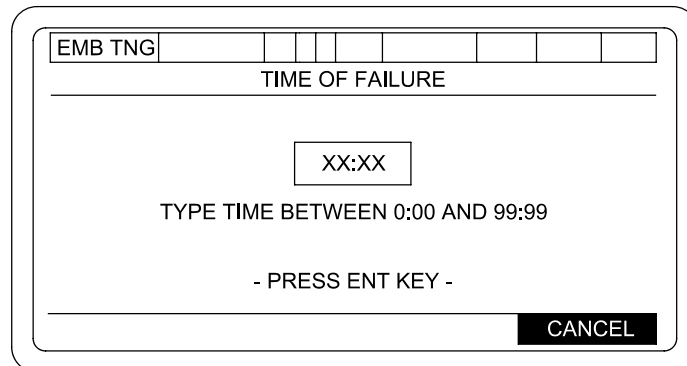
F.1-5.1 Scenario - Continued

- c. The SELECT TIME OR STEP ACTIVATION menu allows the operator to have the selected device fail at a particular time in the scenario or have the device fail at a particular step in the scenario.



06pc245m

- (1) For a time failure, use the arrow keys to move the cursor to TIME ACTIVATED FAILURE on the SELECT TIME OR STEP ACTIVATION menu and press the key under SELECT. A TIME OF FAILURE menu will appear on the display.
- (2) Type in the time for the failure to occur and press the ENT key. This will return the FAILURE OPERATIONS menu to the display and the time entered will appear to the right of the device previously selected.



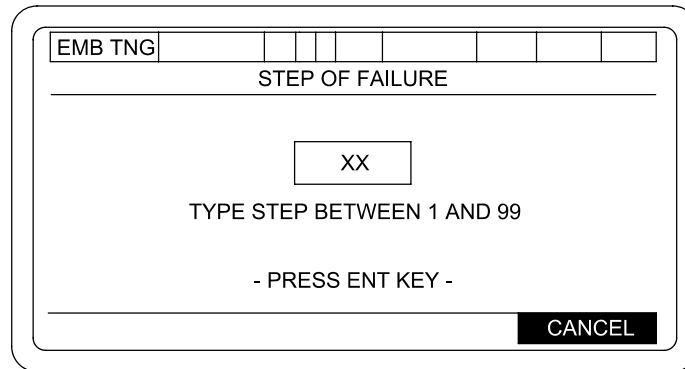
06pc295t

- d. For a Step Failure move the cursor to STEP ACTIVATED FAILURE on the SELECT TIME OR STEP ACTIVATION menu and press the key under SELECT. A STEP OF FAILURE menu will be displayed.

F.1-5 INITIALIZE TRAINING OPTION - CONTINUED

F.1-5.1 Scenario - Continued

Type in the step where the failure is to occur and press the ENT key. This will return the display to the FAILURE OPERATIONS menu and the step number you entered will appear to the right of the device you previously selected.



06pc296t

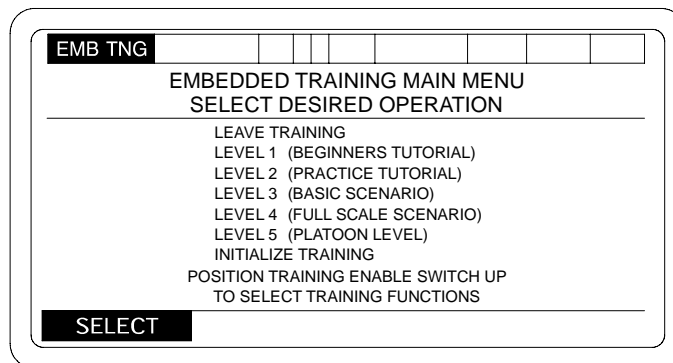
- e. If NO FAILURE is selected from the SELECT TIME OR STEP ACTIVATION menu, the FAILURE OPERATIONS menu will be returned to the display and the word "NO" will appear next to the device previously selected.

NOTE

The above operation must be performed for each device/system selected for failures.

F.1-5.2 Leave Initialization.

When all desired changes to the Scenario have been completed, move the cursor to LEAVE INITIALIZATION on the SELECT TRAINING FUNCTION menu and press key under SELECT. This will return the EMBEDDED TRAINING MAIN MENU to the display.



06pc248m

NOTE

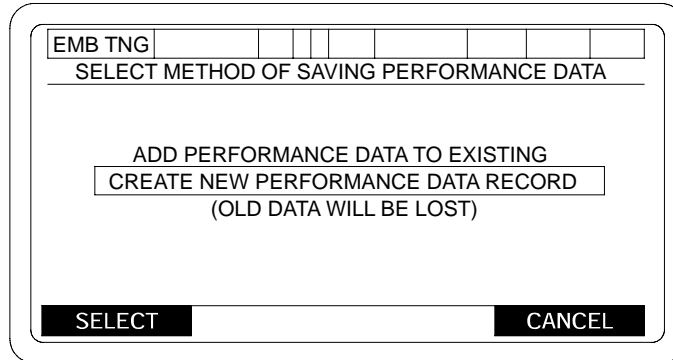
If ET, BCWC or NAV is not operational, then the following will not be displayed.

LEVEL 3 (BASIC SCENARIO)
LEVEL 4 (FULL SCALE SCENARIO) and
INITIALIZE TRAINING

F.1-5 INITIALIZE TRAINING OPTION - CONTINUED

F.1-5.3 Running a Modified Scenario.

- a. Select Level 3 (Basic Scenario) or Level 4 (Full Scale Scenario) from the MAIN MENU. This will cause a SELECT METHOD OF SAVING PERFORMANCE DATA menu to be displayed.

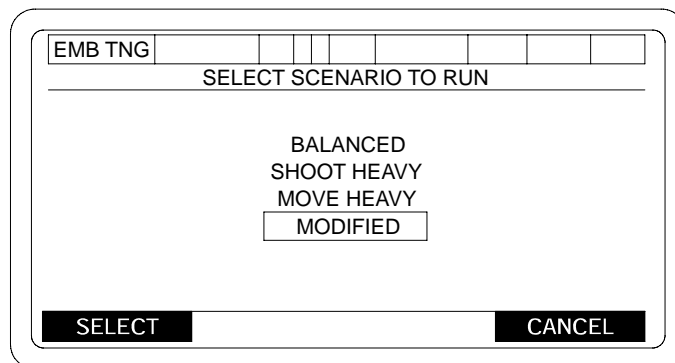


06pc249m

- b. Selection of either method will cause a SELECT SCENARIO TO RUN menu to appear on the display.
- c. Move the cursor to MODIFIED on the SELECT SCENARIO TO RUN and press the key under SELECT.

NOTE

A Modified scenario will be available only if an existing scenario has been changed by using the options available under INITIALIZE TRAINING or a scenario has been put into the trainer using the serial port. If no Modified scenario is available, the line Modified will not appear on the menu.



06pc250m

- d. Steps to DEFINE SCENARIO AREAS are same as previously discussed. Initialization for training steps are also the same.

F.1-5 INITIALIZE TRAINING OPTION - CONTINUED

F.1-5.4 Download a Scenario.

Deleted.

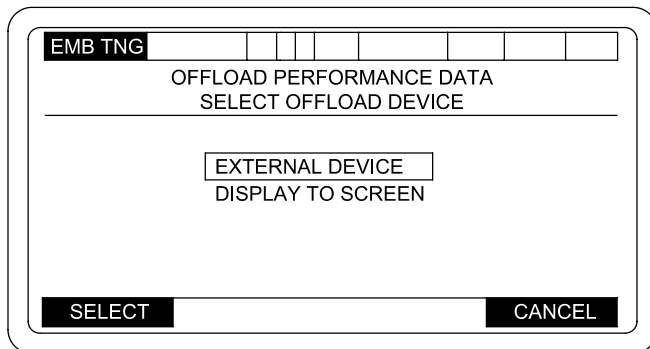
F.1-5.5 Offload Performance Data.

This option permits the user to look at the data collected in the performance file of the embedded trainer. The performance file contains data on the following areas:

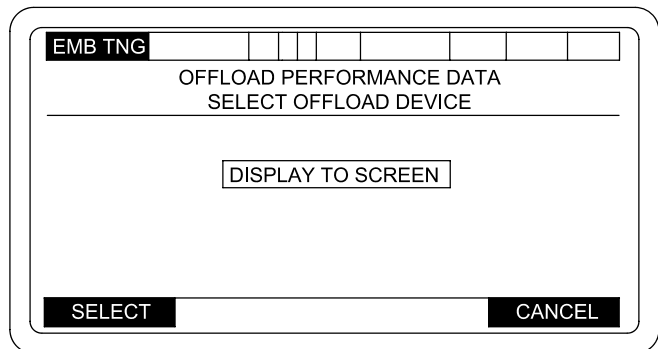
- Time to Perform Emplacement
 - Time to Perform Ammunition Inventory
 - Time to Initialize AFCS/PDFCS After Power Up
 - Time to Perform Fire Mission
 - Crew Precision in Location and Orientation of the Howitzer
 - Records unauthorized operator activity during an Embedded Training Scenario
 - Any UTE (Unable to execute) or BAT (Be advised that) messages that are sent
- a. To look at the performance data on the display, move the box to OFFLOAD PERFORMANCE DATA on the SELECT TRAINING FUNCTION menu and press the key under SELECT. A SELECT OFFLOAD DEVICE menu will be displayed.

NOTE

Menus are available to use an external device (V7.00 Software only); however, the device is not currently available.



V7.00 SOFTWARE



V7P.00 SOFTWARE

06pc298t

F.1-5 INITIALIZE TRAINING OPTION - CONTINUED

F.1-5.5 Offload Performance Data - Continued

- b. To display the data to the DU/PDU display use the arrow keys to move the box to DISPLAY TO SCREEN and press the key under SELECT. A PERFORMANCE DATA DISPLAY menu will be displayed.
- c. To view all data, press key under NEXT PAGE. Use the CANCEL key to exit this menu.

The image shows a terminal window with a rounded border. At the top left, there is a header 'EMB TNG' followed by several empty rectangular boxes. Below this, the title 'PERFORMANCE DATA DISPLAY' is centered. The main area of the window contains six horizontal dashed lines, representing a list of data items. At the bottom of the window, there are two buttons: 'NEXT PAGE' on the left and 'CANCEL' on the right.

06pc252m

APPENDIX F.2

EMBEDDED TRAINER (VERSION 2.0 AND 2.0P SOFTWARE)

F.2-1 GENERAL.

The AFCS/PDFCS Embedded Trainer is a built-in training device which uses a specially designed computer program. The program allows the AFCS/PDFCS to operate as a training device. The embedded trainer is designed to improve and maintain the proficiency of operators and crews. The embedded training function provides the capability to train howitzer crews using levels from initial tutorial programs on the operation of the AFCS/PDFCS controls to running a full-scale simulated mission. It is also possible for the instructor to create scenarios for the crew to respond to and to use the embedded trainer to monitor and evaluate their performance.

A specific sequence of actions by the operator is required to enter the embedded training mode. This feature ensures that the training mode cannot be entered accidentally during a mission.

F.2-2 LEVELS OF TRAINING.

Five levels of training are available to the user. The Initialize Training option is also available.

F.2-2.1 Level 1 Training.

Level 1 is a tutorial program that lists AFCS/PDFCS operating modes and functions, describes keys available on the DU/PDU, general layout of menus, how menus are used, and menu editing. It is designed to lead the user through the step-by-step operation of the AFCS/PDFCS controls. The operation of the various switches and pushbuttons is explained, and then the operator is required to use them to perform tasks called out by the tutorial scenario. The operator reads and follows the instructions that are presented via the display panel of the DU/PDU. The presence of an instructor is not required. After mastery of the controls is obtained, the operator may select a more difficult level. No performance measurement is available at this level.

F.2-2.2 Level 2 Training.

Level 2 is also a tutorial program designed to lead the user through the step-by-step operation of the AFCS/PDFCS. The operator uses the skills mastered in Level 1 as a base and applies them to the actual system operation. The program allows an operator who is not familiar with the AFCS/PDFCS to learn the system operation on their own, at their own pace, without the need for an instructor to be present.

F.2-2 LEVELS OF TRAINING - CONTINUED

F.2-2.2 Level 2 Training - Continued

Level 2 Tutorial provides step-by-step drills. A menu will allow either selection of a specific function for drill or a complete (but simplified) sequence of functions which represent normal AFCS/PDFCS Operation. You may repeat this training level or proceed to next higher (or lower) level. Any data required for input to AFCS/PDFCS (initialization point data, ammo inventory, etc.) will be provided. Performance measurement is not available at this level.

F.2-2.3 Level 3 Training.

Unlike Levels 1 and 2, Level 3 is not a tutorial. This level is designed to maintain or improve the performance of a trained operator. The program will run a typical mission scenario. The performance data will be displayed on the display panel of the DU/PDU. This provides a means of scoring individuals who use the embedded training device at this level.

F.2-2.4 Level 4 Training.

In Level 4, it is possible for the instructor to modify the scenario by altering destination and target location. The operator is given the opportunity to choose a "move-heavy," a "shoot heavy," or a "balanced" scenario. If an instructor is present, the option to introduce simulated system faults is also available. Among the faults that may be introduced are hydraulic system failure, communications failure, navigational system failure, and electrical systems failure.

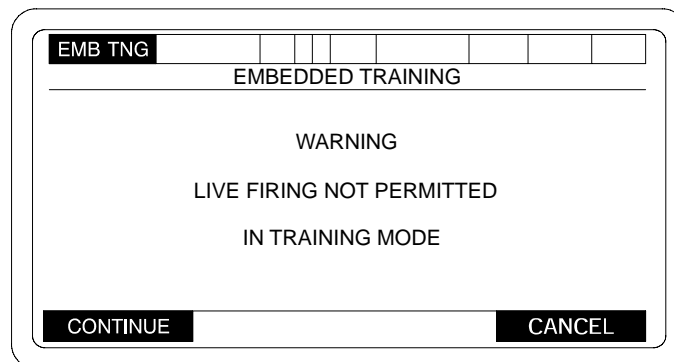
F.2-2.5 Level 5 Training.

When using the simulated navigation feature during level 5 training all devices (BCS and observers) participating in the training must use the same simulated map area.

F.2-2.6 Initialize Training.

This option is not a training level.

Initialize Training allows the operator to make several choices in setting up the training scenario. If there is no instructor present it is possible to select whether or not the weapon will move and to download a scenario or offload data. If an instructor is present, then the scenario may be edited and failures may be introduced, in addition to the items mentioned previously.



06pc236ma

F.2-3 ENTERING TRAINING MODE.

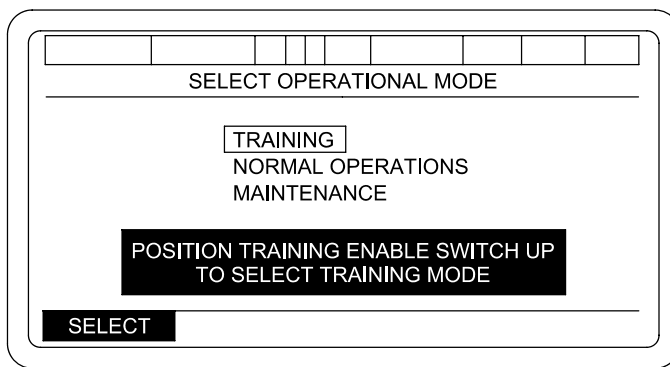
To begin training, proceed as follows:

a. Enter the training mode of operation.

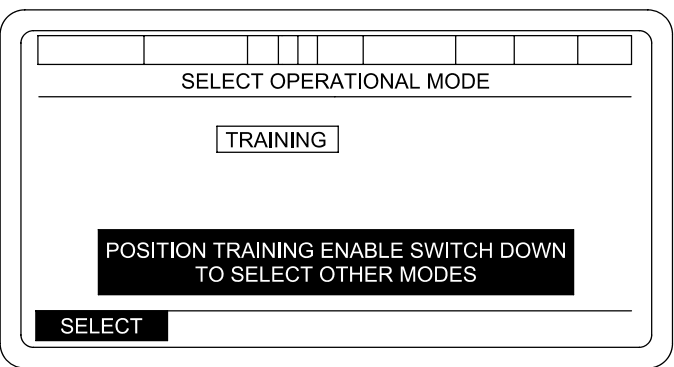
- (1) If the AFCS/PDFCS is OFF, ensure vehicle MASTER switch is ON, the PCU/PCU - 2 circuit breakers are in the ON position, then turn the DU/PDFCS power switch ON. Refer to System Power-Up, para N-6.1 for AFCS or O-6.1 for PDFCS.
- (2) If the AFCS/PDFCS is ON, go to the SETUP AND INFORMATION menu and select SYSTEM RESTART.

First a POWER UP STATUS menu, then a SELECT OPERATIONAL MODE menu, will be displayed.

b. Set DU/PDU training switch to ON (up).

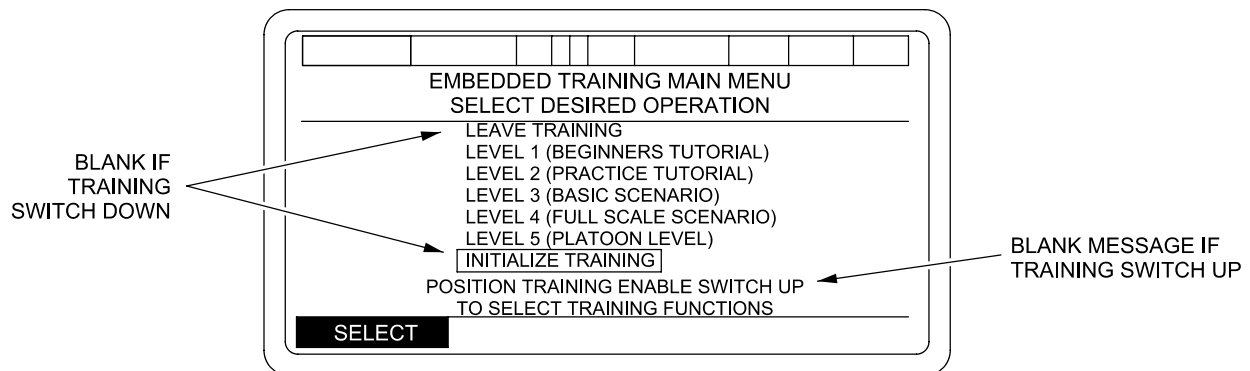


06pc215ma



06pc216ma

c. Press SELECT key. The EMBEDDED TRAINING MAIN MENU will be displayed.



06pc217ma

NOTE

If BCWC or NAV is not operational, then the following will not be displayed.

- LEVEL 3 (BASIC SCENARIO)
- LEVEL 4 (FULL SCALE SCENARIO) and
- INITIALIZE TRAINING

F.2-3 ENTERING TRAINING MODE - CONTINUED

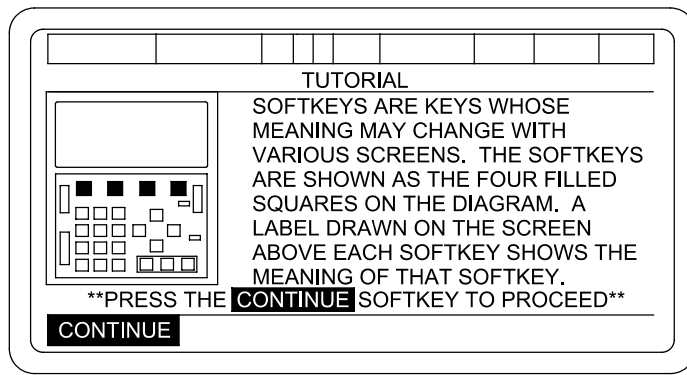
- d. Select desired training level or Initialize Training.
 - (1) Use the arrow keys to box the desired selection.
 - (2) Press SELECT key.

F.2-4 LEVEL OF OPERATION.

Sections F.2-4 thru F.2-5.5 explain the operation of Level 1, Level 2, Level 3, Level 4, and Initialize Training.

F.2-4.1 Level 1.

Selection of training Level 1 will provide the operator with information concerning the DU/PDU keys, menu, layout, use of menus, and menu editing.

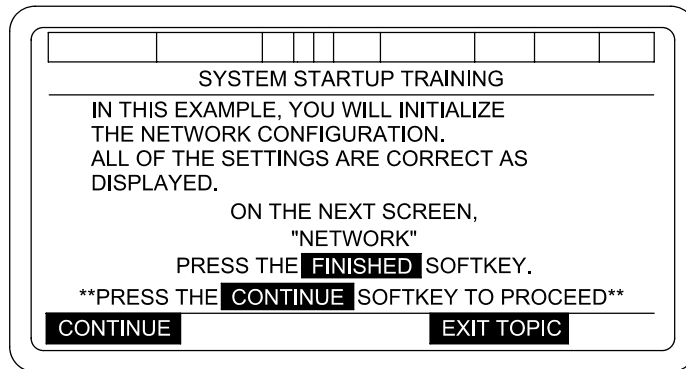


06pc287ta

Example of Level 1 Training

F.2-4.2 Level 2.

Selection of Level 2 will provide the operator with step-by-step drills. A menu will allow either selection of a specific function or drill or a complete (but simplified) sequence of instructions which represent normal AFCS/PDFCS Operation. You will have the option to repeat this training level or proceed to next higher (or lower) level. Any data required for input to AFCS/PDFCS (initialization point data, ammo inventory, etc.) will be provided. Performance measurement is not available at this level.



06pc288ta

F.2-4 LEVEL OF OPERATION - CONTINUED

NETWORK					
CFG	STATUS	DEVICE	BAUD	COMSEC	MODE
8	*ACTIVE*	SINGGARS	4800N	CT	FH
0		TACFIRE	4800		

SELECT FINISHED VIEW

SYSTEM STARTUP TRAINING

CORRECT. THE REST OF SYSTEM STARTUP IS DONE USING THE "SETUP AND INFORMATION" MENU. THIS MENU HAS TWO PAGES. A SOFTKEY LABELED NEXTPAGE IS USED TO SEE THE OTHER PAGE OF THE MENU.

PRESS THE **CONTINUE SOFTKEY TO PROCEED**

CONTINUE EXIT TOPIC

06pc289ta

Example of Level 2 Training

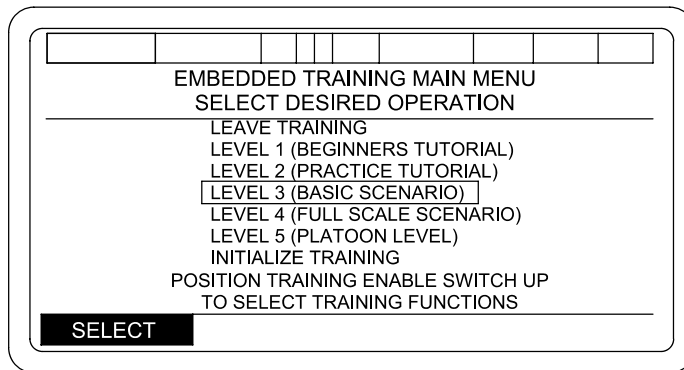
F.2-4 LEVEL OF OPERATION - CONTINUED

F.2-4.3 Levels 3 and 4.

If Level 3 is selected you will receive Scenario Training by Event. Each scenario event will be presented to you one at a time with each event completing before next event is presented. Initialization entries will allow selection of scenario type, enable or disable state for faults, and provide a default ammunition inventory. When faults are allowed, each fault will be a separate scenario event. Performance measurement will be provided for this level of training.

To perform Level 3 or Level 4 Training use the following procedure:

- a. Use arrow keys on DU/PDU to move box to Level 3 (Basic Scenario) or Level 4 (Full Scale Scenario) on the EMBEDDED TRAINING MAIN MENU.



06pc222ma

NOTE

If BCWC or NAV is not operational, then the following will not be displayed.

LEVEL 3 (BASIC SCENARIO)
 LEVEL 4 (FULL SCALE SCENARIO) and
 INITIALIZE TRAINING

- b. Press key beneath SELECT. This will cause the SELECT METHOD OF SAVING PERFORMANCE DATA menu to appear.
- c. Using arrow keys, move box to desired selection.

F.2-4 LEVEL OF OPERATION - CONTINUED

F.2-4.3 Levels 3 and 4 - Continued

NOTE

Pressing the key under CANCEL will cause EMBEDDED TRAINING main menu to be displayed

- (1) Selection of ADD PERFORMANCE DATA TO EXISTING line will cause data collected during next scenario to be added to data in the file.
- (2) Selection of CREATE NEW PERFORMANCE DATA RECORD line will cause data previously collected to be lost.

The screenshot shows a terminal window with a title bar containing several empty fields. Below the title bar, the text reads "SELECT METHOD OF SAVING PERFORMANCE DATA". In the center, there are two menu options: "ADD PERFORMANCE DATA TO EXISTING" and "CREATE NEW PERFORMANCE DATA RECORD (OLD DATA WILL BE LOST)". At the bottom of the window, there are two buttons labeled "SELECT" and "CANCEL".

06pc223ma

F.2-4 LEVEL OF OPERATION - CONTINUED

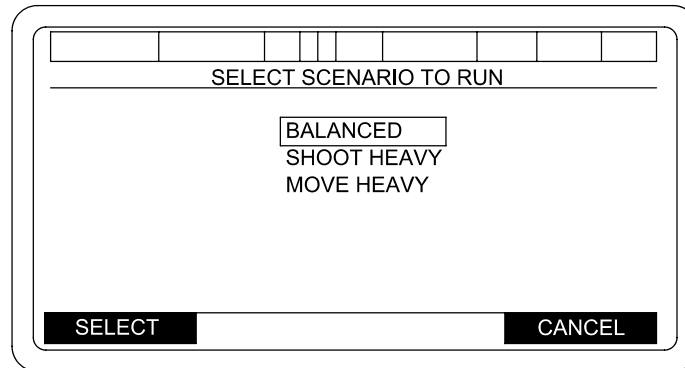
F.2-4.3 Levels 3 and 4 - Continued

- d. Press the key under SELECT for desired method of saving performance data. A SELECT SCENARIO TO RUN menu will be displayed.
- e. Using arrow keys, move box to desired selection.

NOTE

Pressing the key under CANCEL will return the SELECT METHOD OF SAVING PERFORMANCE DATA menu to the display.

- (1) A "BALANCED" scenario has a ratio of Fire Missions to Moves of 4/1.
- (2) A "SHOOT HEAVY" scenario has a ratio of Fire Missions to Moves of 8/1.
- (3) A "MOVE HEAVY" scenario has a ratio of Fire Missions to Moves of 2/1.



06pc224ma

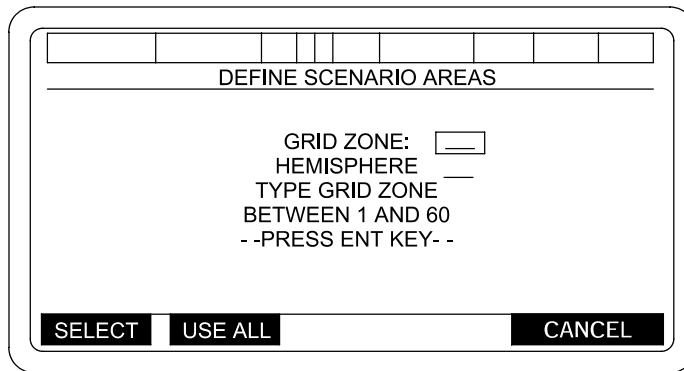
F.2-4 LEVEL OF OPERATION - CONTINUED

F.2-4.3 Levels 3 and 4 - Continued

- f. Press the key under SELECT for desired scenario. After a scenario has been selected, the DEFINE SCENARIO AREAS menu (Grid Zone) will appear.

NOTE

Data entered in the DEFINE SCENARIO AREAS menu must indicate the howitzer's current location. It must be the "True Life" location of the howitzer. Enter data prior to changing + or - sign.

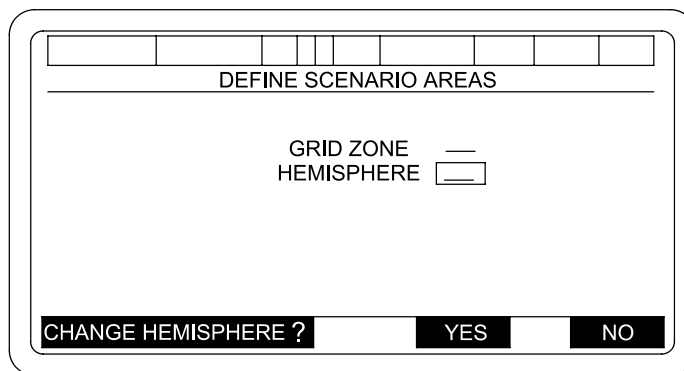


06pc225mc

- g. Enter desired grid zone and press ENT key on the DU panel/keypad. Select proper HEMISPHERE. Values are NORTH or SOUTH. Press USE ALL key to display the DEFINE SCENARIO AREAS menu.

NOTE

AFCS will set the spheroid for training levels 3 and 4 to WGS 84.



06pc225md

F.2-4 LEVEL OF OPERATION - CONTINUED

F.2-4.3 Levels 3 and 4 - Continued

① The following prompts will appear on the DEFINE SCENARIO AREAS menu:

- TYPE EASTING OF SW CORNER BETWEEN 0 AND 999999 -PRESS ENT-
- TYPE EASTING OF NE CORNER BETWEEN 0 AND 999999 -PRESS ENT-
- TYPE NORTHING OF SW CORNER BETWEEN 0 AND 9999999 -PRESS ENT-
- TYPE NORTHING OF NE CORNER BETWEEN 0 AND 9999999 -PRESS ENT-

DEFINE SCENARIO AREAS			
		EASTING	NORTHING
TARGET:	SW	500000	5000
	NE	505000	10000
HOWITZER GRID:	SW	<input type="text" value="505000"/>	5000
	NE	515000	10000

①

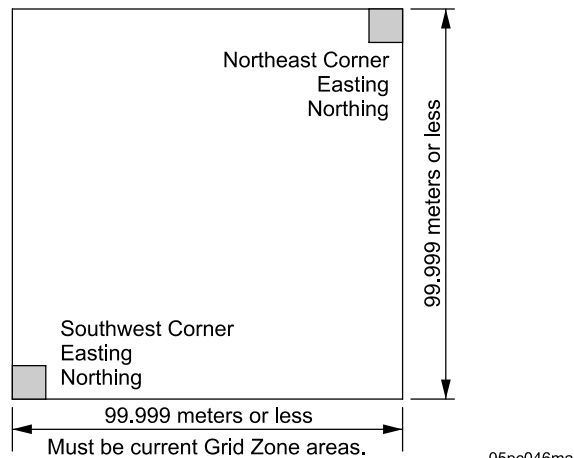
SELECT USE ALL CANCEL

06pc290t

F.2-4 LEVEL OF OPERATION - CONTINUED

F.2-4.3 Levels 3 and 4 - Continued

- h. Enter information for TARGET on DEFINE SCENARIO AREAS menu. This the area in which all target locations must lie (within a 10,000 square meter area). The target grid consists of Northing and Easting of southwest corner and Northing and Easting of northeast corner.
- (1) Using the arrow keys, move box to TARGET SW field under Easting on the DEFINE SCENARIO AREAS menu.
 - (2) Press the key under SELECT, then type in grid coordinates of the easting of the southwest corner of desired operational area and press ENT key on DU/keypad.
 - (3) Using arrow keys, move box to TARGET SW under Northing and press the key under SELECT. Type in Northing grid coordinates of the southwest corner of operational area and press ENT key on DU/keypad.



Target Grid

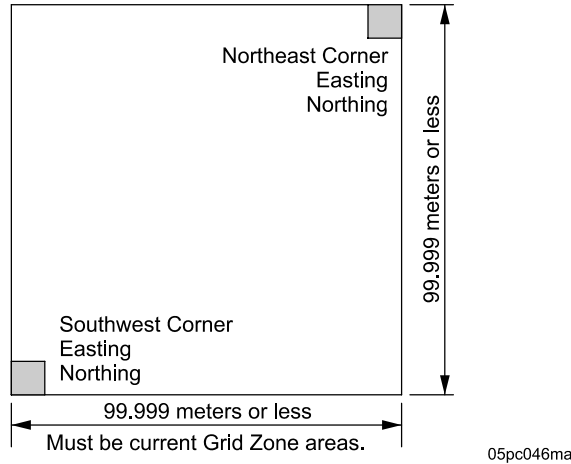
- (4) Using the arrow keys, move the box to TARGET NE under the Easting on the DEFINE SCENARIO AREAS menu and press the key under SELECT. Type in the Easting grid coordinates of the Northwest corner of the operational area and press the ENT key on the DU/keypad.
 - (5) Using the arrow keys on the DU, move the cursor to TARGET NE under the Northing and press the key under SELECT of the DEFINE SCENARIO AREAS menu. Type in Northing of Northeast corner of the operational area and press ENT key on DU/keypad.
- i. Enter information for HOWITZER GRID on DEFINE SCENARIO AREAS menu. This is the area to which all howitzer movements must be confined (10 km or less). It consists of Northing and Easting of southwest corner and Northing and Easting of northeast corner. If howitzer is to remain stationary, refer to note below.

F.2-4 LEVEL OF OPERATION - CONTINUED

F.2-4.3 Levels 3 and 4 - Continued

NOTE

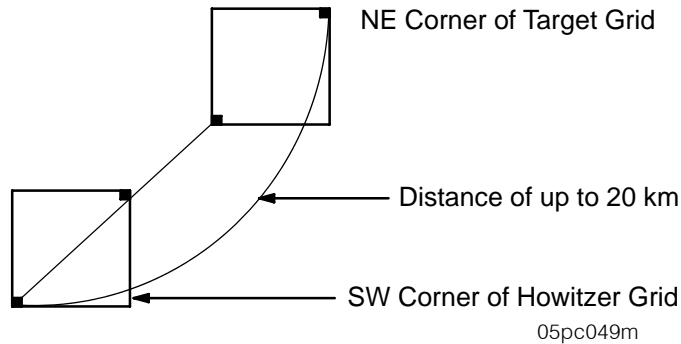
If vehicle is to remain stationary during Level 3 and 4 Training define howitzer area map 1 meter by 1 meter (this will prevent difficulties during a Move Order mission).



Howitzer Grid

NOTE

The maximum distance between the farthest corners of the Target Grid and Howitzer Grid must be less than 20 km to develop simulated fire missions (required for real ballistic computation).



- j. To enter Howitzer grid data use the same procedures described for TARGET.

NOTE

If a target or howitzer coordinate which is outside map grid or is inconsistent with other values is entered, an Alert of either "ILLEGAL TARGET AREA" "ACK" or "ILLEGAL HOWITZER AREA" "ACK" will be displayed. Press the ACK key for the operator Alert and enter correct/proper data.

- k. When all the desired data has been entered on the DEFINE SCENARIO AREAS menus, press the USE ALL key. This will force the AFCS/PDFCS into initialization as in Normal Operations.

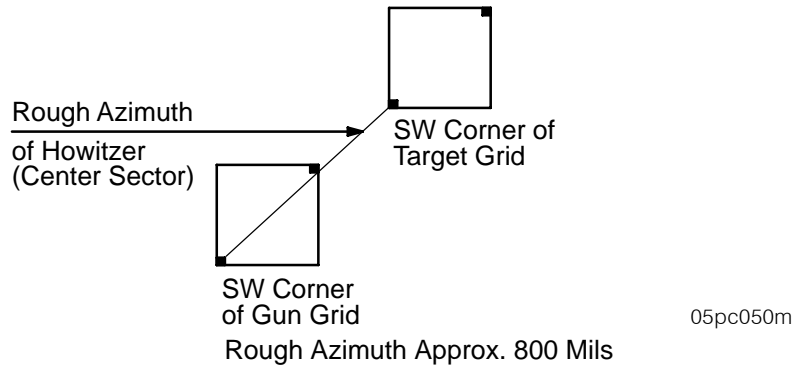
F.2-4 LEVEL OF OPERATION - CONTINUED

F.2-4.3 Levels 3 and 4 - Continued

- I. Initialize AFCS/PDFCS. Initialization of the AFCS/PDFCS is done according to initialization described in Normal Operations with the following exceptions:

“True Life” data required for NAV RESTART (initialization point, grid and grid zone).

AZIMUTH OF FIRE data in SECTOR OF FIRE menu must be the rough azimuth from Howitzer Grid Southwest Corner to Target Grid Southwest Corner as shown in illustration.



Other initialization data to be provided by the instructor.

- m. Enter Embedded Trainer Ammunition Inventory information.

To use the default ammunition inventory, perform the following procedure while doing the AFCS/PDFCS initialization:

Embedded Trainer Ammunition Inventory - Basic Load

PROJECTILES

M483A1 (DPICM)	20	Total of 39
M107 (HE)	10	
M825 (SMOKE)	03	
M549A1 (RAP)	02	
M485 (ILLUM)	02	
M712 (CPH)	02	

PROPELLANTS

M4A2	15	Total of 56
M119A2	15	
M203	08	
M3A1	18	

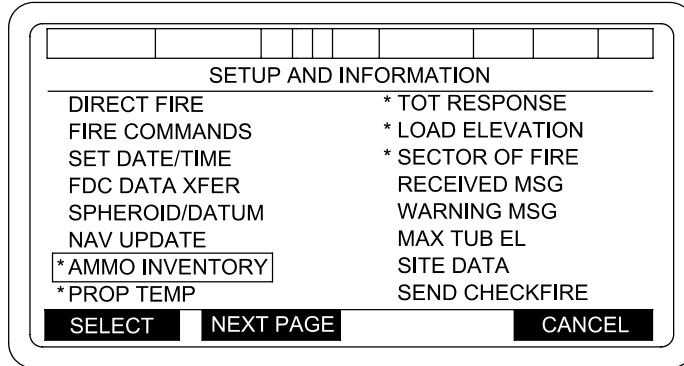
FUZES

M577 (MT)	28	Total of 50
M582 (MTSQ)	06	
M78 (CP)	04	
M557 (PD)	12	

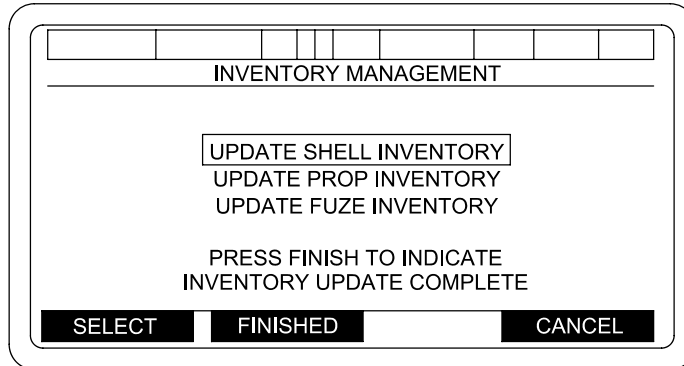
F.2-4 LEVEL OF OPERATION - CONTINUED

F.2-4.3 Levels 3 and 4 - Continued

- (1) On the SETUP AND INFORMATION menu box AMMO INVENTORY; then press the key under SELECT. An INVENTORY MANAGEMENT menu will be displayed.



06pc291t



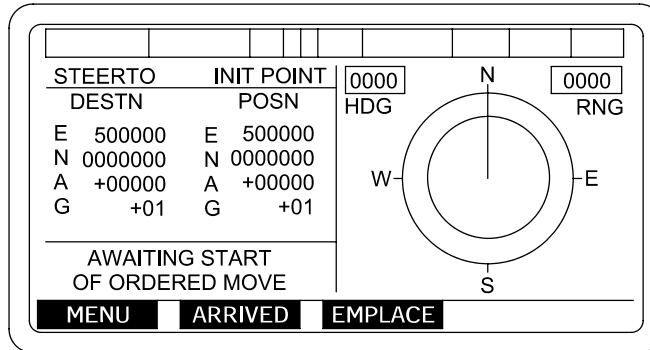
06pc228ma

- (2) Press the key under FINISHED. The SETUP AND INFORMATION menu will be displayed. This action will complete the AFCS/PDFCS initialization process (all asterisked items must be initialized).

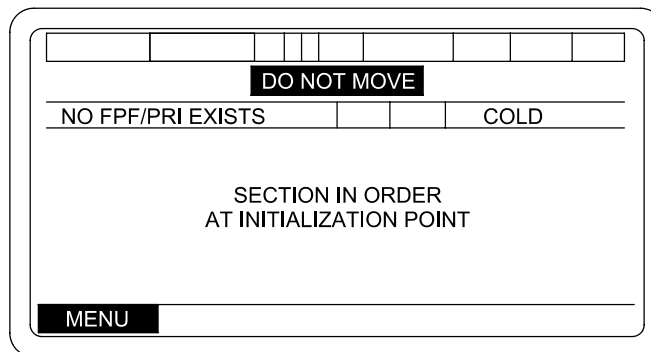
F.2-4 LEVEL OF OPERATION - CONTINUED

F.2-4.3 Levels 3 and 4 - Continued

- n. Store default ammo inventory. When Initialization is complete (alignment countdown finished), press CANCEL key in the SETUP AND INFORMATION menu to display a MOVE ORDER in level 3 or SECTION IN ORDER at INITIALIZATION POINT in level 4.



06pc229ma



06pc230ma

- (1) To store the default Ammo Inventory, press the menu key to display SETUP AND INFORMATION menu.

F.2-4 LEVEL OF OPERATION - CONTINUED

F.2-4.3 Levels 3 and 4 - Continued

- (2) Move the box to AMMO INVENTORY and press the key under SELECT. An INVENTORY MANAGEMENT menu will be displayed.

SETUP AND INFORMATION	
DIRECT FIRE	TOT RESPONSE
FIRE COMMANDS	SECTOR OF FIRE
SET DATA/TIME	LOAD ELEVATION
FDC DATA XFER	RECEIVED MSG
SPHEROID/DATUM	WARNING MSG
NAV UPDATE	MAX TUB EL
AMMO INVENTORY	SITE DATA
PROP TEMP	SEND CHECKFIRE

SELECT **NEXT PAGE** **CANCEL**

06pc291t

- (3) Using the arrow keys, move box to EDIT FDC PROVIDED on the INVENTORY MANAGEMENT menu; then press the key under SELECT. Another INVENTORY MANAGEMENT menu will be displayed.

INVENTORY MANAGEMENT	
EDIT CURRENT PALADIN	
EDIT FDC PROVIDED	

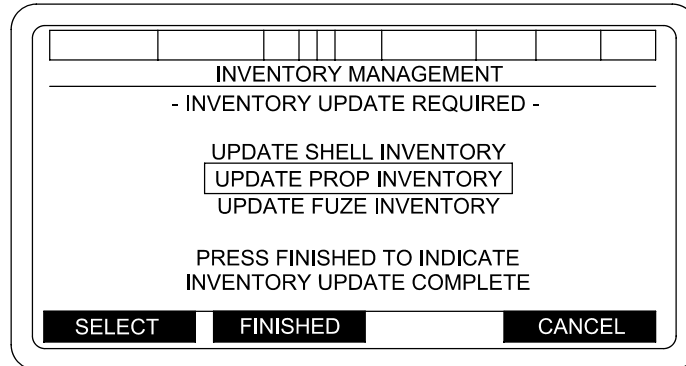
SELECT **CANCEL**

06pc292ta

F.2-4 LEVEL OF OPERATION - CONTINUED

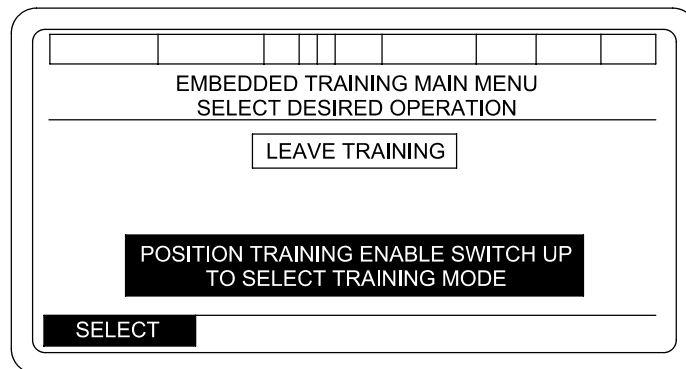
F.2-4.3 Levels 3 and 4 - Continued

- (4) Press the key under FINISHED on this INVENTORY MANAGEMENT menu to store the default Ammo Inventory into the trainer.



06pc233ma

- o. To exit the training mode while in a scenario, switch the trainer switch on the DU panel/keypad to the OFF position. The EMBEDDED TRAINING MAIN MENU will be displayed.



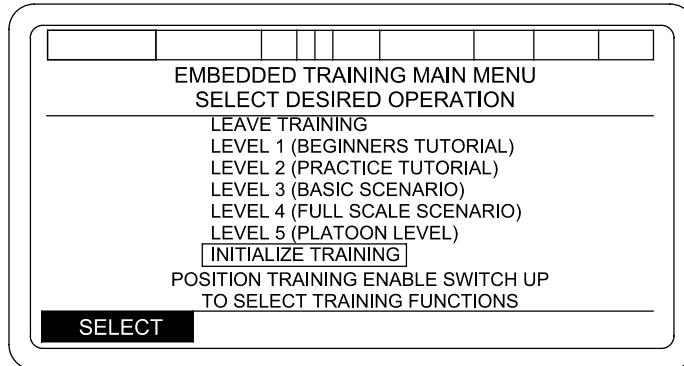
06pc234ma

- p. Press the key under SELECT. The system will automatically do a restart and return to the SELECT OPERATIONAL MODE menu.

F.2-5 INITIALIZE TRAINING OPTION

Initialize Training will allow selection of scenario type, enable/disable state for faults, and provide a default Ammunition Inventory. If faults are allowed, faults will be inserted into the scenario sequence to emulate degraded system operation. This will allow you to respond to faults as you would in a “Real World” situation. Additional events will be enabled in scenarios to emulate interruption of normal function/task flow. Performance measurement will be provided for this level of training. To use the Initialize Training option perform the following procedures:

- a. Use the arrow keys to move box to INITIALIZE TRAINING on the EMBEDDED TRAINING MAIN Menu.



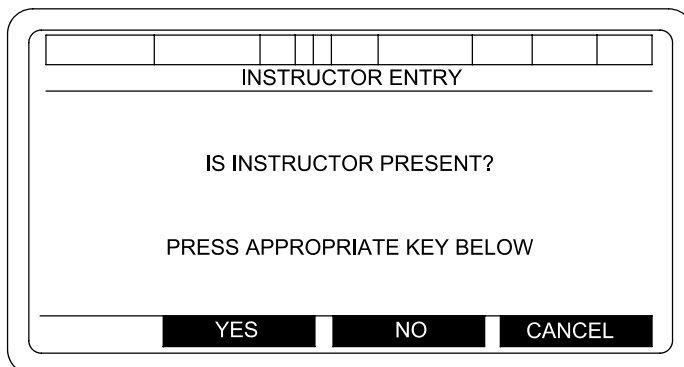
06pc235ma

NOTE

If BCWC or NAV is not operational, then the following will not be displayed.

LEVEL 3 (BASIC SCENARIO)
 LEVEL 4 (FULL SCALE SCENARIO) and
 INITIALIZE TRAINING

- b. Press key under SELECT. An INSTRUCTOR ENTRY menu will be displayed.

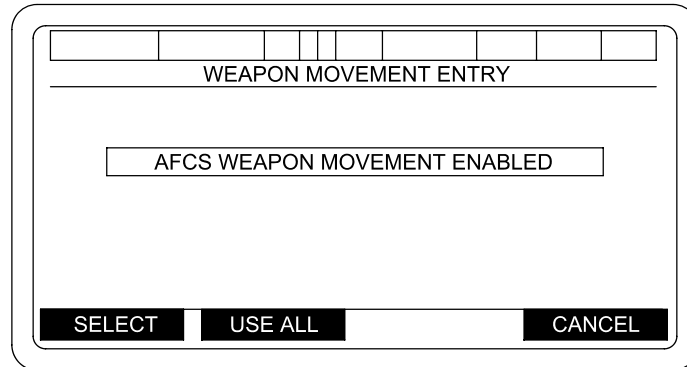


06pc236mb

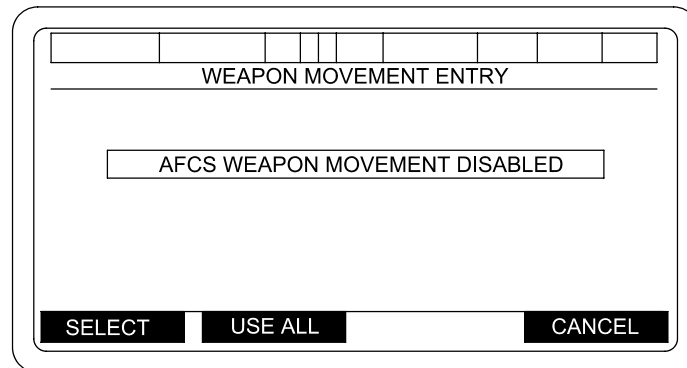
- c. Press either the YES or NO key. This will cause a WEAPON MOVEMENT ENTRY menu to be displayed.

F.2-5 INITIALIZE TRAINING OPTION - CONTINUED

- d. The WEAPON MOVEMENT ENTRY menu allows you to select whether the weapon will move during the training scenario or remain stationary. One of the 2 menus shown will appear, depending upon whether the weapon is in the enable or disable mode.



06pc237mb



06pc238mb

F.2-5 INITIALIZE TRAINING OPTION - CONTINUED

- e. To change from enabled to disabled or from disabled to enabled, press the key under SELECT. One of the following menus will be displayed. To change the Weapon Movement, press the key under YES. If a change is not desired at this time press the key under NO.

A screenshot of a terminal window titled "WEAPON MOVEMENT ENTRY". At the top, there is a header bar with several small rectangular boxes. Below the header, the text "AFCS WEAPON MOVEMENT ENABLED" is displayed in a rectangular box. At the bottom of the screen, a black bar contains the text "CHANGE TO DISABLE?" followed by "YES" and "NO" in white text.

06pc239mb

A screenshot of a terminal window titled "WEAPON MOVEMENT ENTRY". At the top, there is a header bar with several small rectangular boxes. Below the header, the text "AFCS WEAPON MOVEMENT DISABLED" is displayed in a rectangular box. At the bottom of the screen, a black bar contains the text "CHANGE TO ENABLE?" followed by "YES" and "NO" in white text.

06pc240mb

NOTE

If WEAPON MOVEMENT is DISABLED, AFCS will disable the LOAD, LAY and STOW keys.

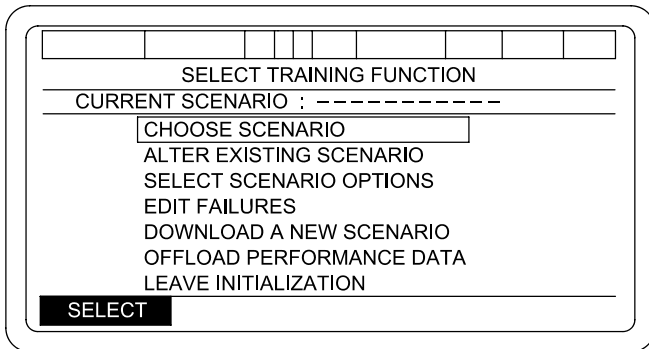
F.2-5 INITIALIZE TRAINING OPTION - CONTINUED

- f. To enter the Weapon Movement Entry, press key under USE ALL. A SELECT TRAINING FUNCTION menu will be displayed.

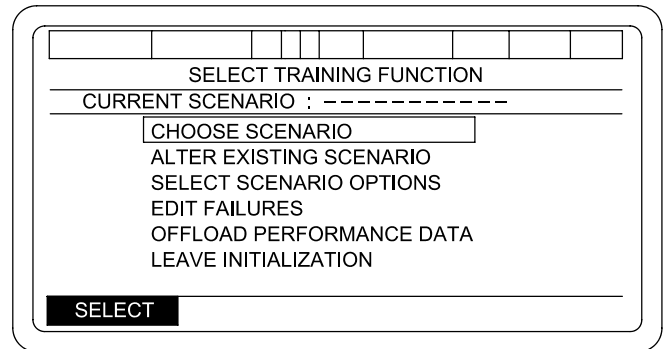
NOTE

The following options on the SELECT TRAINING FUNCTION menu will not be available if NO was pressed on the INSTRUCTOR ENTRY menu.

ALTER EXISTING SCENARIO
EDIT FAILURES



V7.00 SOFTWARE



V7P.00 SOFTWARE

06pc297tb

F.2-5.1 Scenario.

F.2-5.1.1 Choose Scenario.

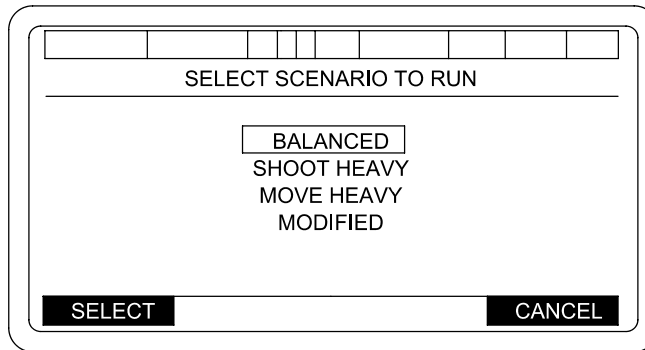
This option allows the operator to choose the scenario that he wants to alter/change.

- a. Using the arrow keys, move box to CHOOSE SCENARIO on the SELECT TRAINING FUNCTION menu and press the key under SELECT. A SELECT SCENARIO TO RUN menu will be displayed.

F.2-5 INITIALIZE TRAINING OPTION - CONTINUED

F.2-5.1 Scenario - Continued

- b. Move box using arrow keys on DU/keypad to the desired scenario to be changed, then press SELECT key. This will cause the SELECT TRAINING FUNCTION menu to be redisplayed.



06pc407mf

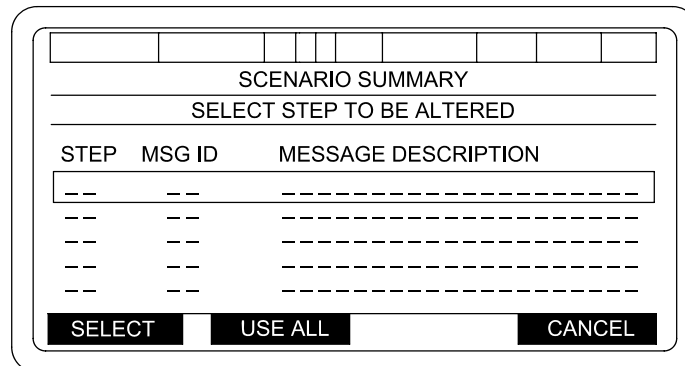
F.2-5.1.2 Alter Existing Scenario.

This option allows modification of the current scenario. The CURRENT SCENARIO shown in the SELECT TRAINING FUNCTION menu is the one to be modified.

- a. Using the arrow keys on the DU/keypad, move the box to ALTER EXISTING SCENARIO, then press the key under SELECT. A SCENARIO SUMMARY menu will be displayed.

SCENARIO SUMMARY Menu

- b. The SCENARIO SUMMARY menu allows a single step in the scenario to be changed. To accomplish this, use the arrow keys to move the cursor to the desired step to be changed and press the key under SELECT. An ALTER SCENARIO LOCATION menu will be displayed.



06pc293ta

F.2-5 INITIALIZE TRAINING OPTION - CONTINUED

F.2-5.1 Scenario - Continued

ALTER SCENARIO LOCATION Menu

NOTE

The LOCATION OFFSET will be Easting and Northing in meters, measured from southwest corner of appropriate area; Target grid or Howitzer grid depending on whether Message ID is for Fire Mission or Move Mission.

- c. To alter a location, move cursor to EASTING or NORTHING and press the key under SELECT, type in desired offset (0 - 9999 meters) and press ENT key on DU/keypad. When both desired offsets have been entered, press key under USE ALL. The SCENARIO SUMMARY menu is then displayed. When all desired steps of the SCENARIO SUMMARY menu have been changed/alterd, press the USE ALL key. This will cause the SELECT TRAINING FUNCTION menu to be redisplayed.

06pc243ma

F.2-5 INITIALIZE TRAINING OPTION - CONTINUED

F.2-5.1 Scenario - Continued

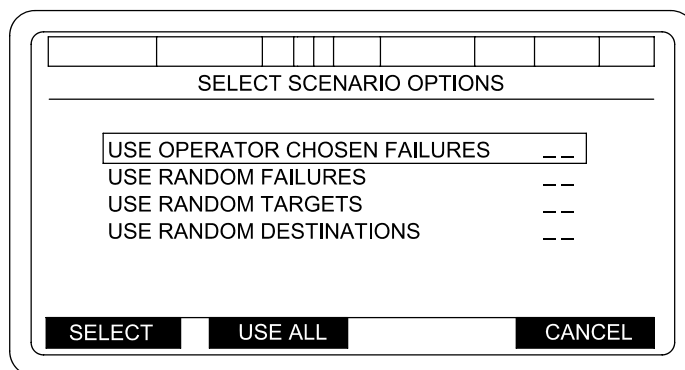
F.2-5.1.3 Select Scenario Options.

This menu allows the operator to select options in a scenario. Use the following steps.

- a. Move box to SELECT SCENARIO OPTIONS on the SELECT TRAINING FUNCTION menu and press the key under SELECT to display the SELECT SCENARIO OPTIONS menu.
- b. The Scenario Options will be listed as “YES” or “NO” when the menu appears on the display. To make a change, use the arrow keys to move box to the desired line and press the SELECT key.

A prompt will appear (change to YES - YES/NO or change to NO - YES/NO). Make the desired choice. That choice will then appear on the menu.

- c. When desired options have been changed, press the key under USE ALL. USE ALL will enter any changes and return you to the SELECT TRAINING FUNCTION menu.



06pc294ta

F.2-5.1.4 Edit Failures.

This option permits the operator to change or define a failure operation in a scenario. Perform the following steps to accomplish failure changes.

- a. Using the arrow keys move the box to EDIT FAILURES on the Select Training Function menu and press the key under SELECT. A FAILURE OPERATIONS menu will be displayed.

F.2-5 INITIALIZE TRAINING OPTION - CONTINUED

F.2-5.1 Scenario - Continued

NOTE

Digital radio simulated failure will be allowed only if YES was entered at the INSTRUCTOR PRESENT display.

The screenshot shows a menu titled "FAILURE OPERATIONS" with a sub-menu "SELECT DEVICE". The menu lists several options with their corresponding values:

NAV DEVICE	11
WPN	NO
ELECTRICAL SYS	NO
HYDRAULIC SYS	05 : 00
DIGITAL RADIO	NO

At the bottom of the menu are three buttons: "SELECT", "USE ALL", and "CANCEL".

06pc082mc

NOTE

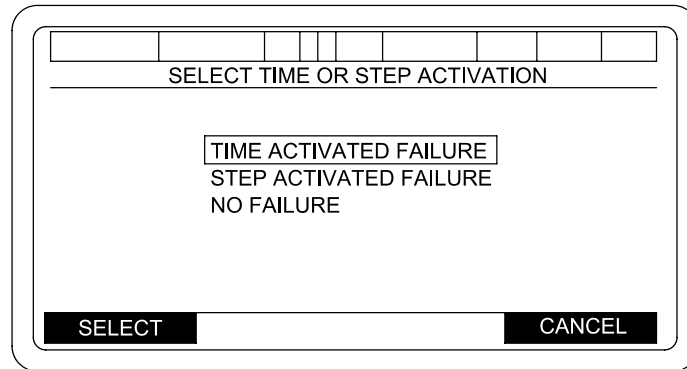
To the right of each device shown in the menu there may appear the word "NO" if no failure for the device is desired, a time if a time failure has been selected or a number between 1 and 99 if a step failure has been selected.

- b. FAILURE OPERATIONS menu allows the operator to program the failures that will occur during the training scenario. To select a device/system, use the arrow keys to move box to selection, then press the key under SELECT. The SELECT TIME OR STEP ACTIVATION menu will be displayed. USE OPERATOR SELECTED FAILURES (YES) on the SELECT SCENARIO OPTIONS menu must have been selected or this step will not work.

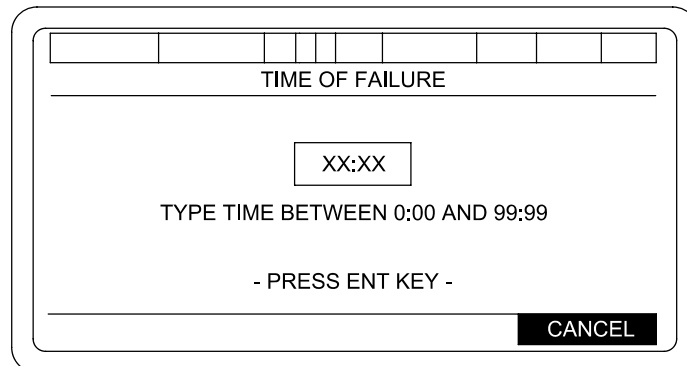
F.2-5 INITIALIZE TRAINING OPTION - CONTINUED

F.2-5.1 Scenario - Continued

- c. The SELECT TIME OR STEP ACTIVATION menu allows the operator to have the selected device fail at a particular time in the scenario or have the device fail at a particular step in the scenario.



- (1) For a time failure, use the arrow keys to move the cursor to TIME ACTIVATED FAILURE on the SELECT TIME OR STEP ACTIVATION menu and press the key under SELECT. A TIME OF FAILURE menu will appear on the display.
- (2) Type in the time for the failure to occur and press the ENT key. This will return the FAILURE OPERATIONS menu to the display and the time entered will appear to the right of the device previously selected.

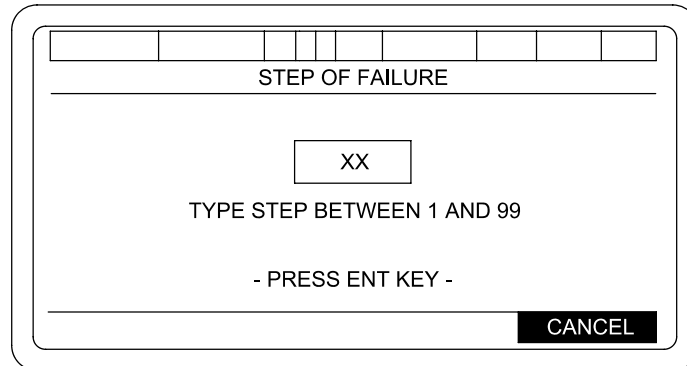


- d. For a Step Failure move the cursor to STEP ACTIVATED FAILURE on the SELECT TIME OR STEP ACTIVATION menu and press the key under SELECT. A STEP OF FAILURE menu will be displayed.

F.2-5 INITIALIZE TRAINING OPTION - CONTINUED

F.2-5.1 Scenario - Continued

- e. Type in the step where the failure is to occur and press the ENT key. This will return the display to the FAILURE OPERATIONS menu and the step number you entered will appear to the right of the device you previously selected.



06pc296ta

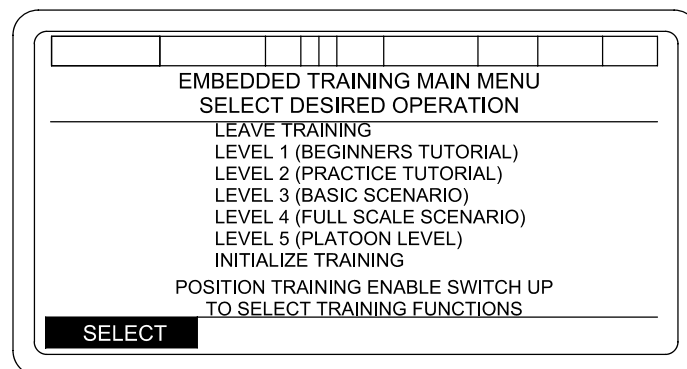
- f. If NO FAILURE is selected from the SELECT TIME OR STEP ACTIVATION menu, the FAILURE OPERATIONS menu will be returned to the display and the word "NO" will appear next to the device previously selected.

NOTE

The above operation must be performed for each device/system selected for failures.

F.2-5.2 Leave Initialization.

When all desired changes to the Scenario have been completed, move the cursor to LEAVE INITIALIZATION on the SELECT TRAINING FUNCTION menu and press key under SELECT. This will return the EMBEDDED TRAINING MAIN MENU to the display.



06pc248ma

NOTE

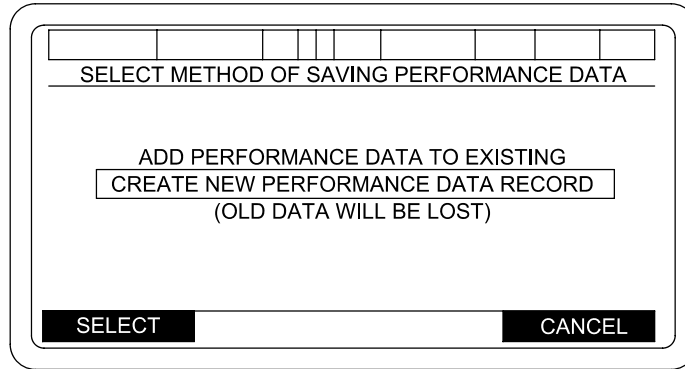
If BCWC or NAV is not operational, then the following will not be displayed.

LEVEL 3 (BASIC SCENARIO)
 LEVEL 4 (FULL SCALE SCENARIO) and
 INITIALIZE TRAINING

F.2-5 INITIALIZE TRAINING OPTION - CONTINUED

F.2-5.3 Running a Modified Scenario.

- a. Select Level 3 (Basic Scenario) or Level 4 (Full Scale Scenario) from the MAIN MENU. This will cause a SELECT METHOD OF SAVING PERFORMANCE DATA menu to be displayed.

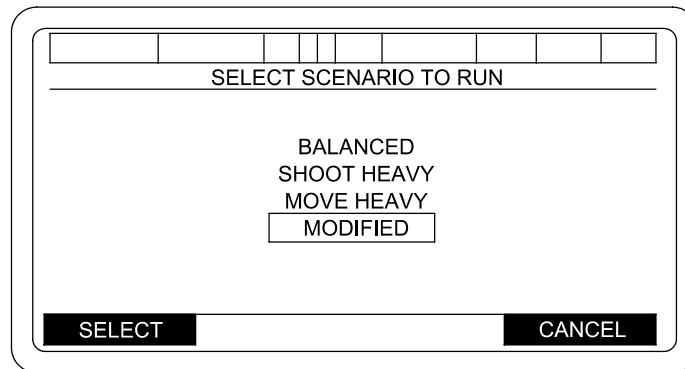


06pc249ma

- b. Selection of either method will cause a SELECT SCENARIO TO RUN menu to appear on the display.
- c. Move the cursor to MODIFIED on the SELECT SCENARIO TO RUN and press the key under SELECT.

NOTE

A Modified scenario will be available only if an existing scenario has been changed by using the options available under INITIALIZE TRAINING or a scenario has been put into the trainer using the serial port. If no Modified scenario is available, the line Modified will not appear on the menu.



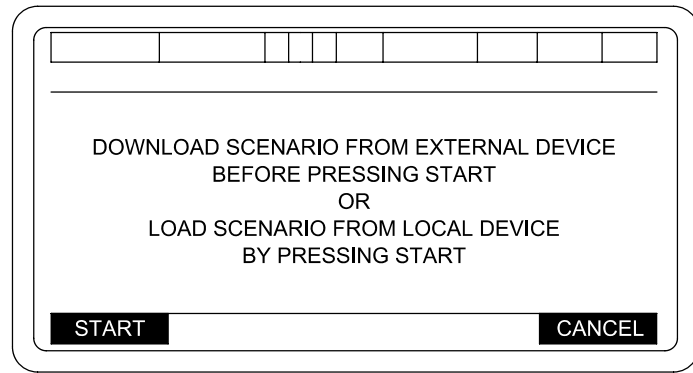
06pc250ma

- d. Steps to DEFINE SCENARIO AREAS are same as previously discussed. Initialization for training steps are also the same.

F.2-5 INITIALIZE TRAINING OPTION - CONTINUED

F.2-5.4 Download a New Scenario

This option will allow the user to install a customized training scenario which has been developed on an external source into the embedded trainer. This feature will allow the design of a training scenario to meet a specific need.



VERSION 2.0 (AFCS) ONLY

06pc407mg

- a. Select START to begin download process. AFCS will display "DOWNLOAD IN PROGRESS".
- b. If download is successful, AFCS will display "DOWNLOAD COMPLETE". If not successful, display will be "DOWNLOAD FAILED".

F.2-5.5 Offload Performance Data.

This option permits the user to look at the data collected in the performance file of the embedded trainer. The performance file contains data on the following areas:

- Time to Perform Emplacement
 - Time to Perform Ammunition Inventory
 - Time to Initialize AFCS/PDFCS After Power Up
 - Time to Perform Fire Mission
 - Crew Precision in Location and Orientation of the Howitzer
 - Records unauthorized operator activity during an Embedded Training Scenario
 - Any UTE (unable to execute) or BAT (be advised that) messages that are sent
- a. To look at the performance data on the display, move the box to OFFLOAD PERFORMANCE DATA on the SELECT TRAINING FUNCTION menu and press the key under SELECT. A SELECT OFFLOAD DEVICE menu will be displayed.

F.2-5 INITIALIZE TRAINING OPTION - CONTINUED

F.2-5.5 Offload Performance Data - Continued

NOTE

Menus are available to use an external device (V2.0 Software only); however, the device is not currently available.

OFFLOAD PERFORMANCE DATA
SELECT OFFLOAD DEVICE

EXTERNAL DEVICE
DISPLAY TO SCREEN

SELECT CANCEL

V2.0 SOFTWARE

OFFLOAD PERFORMANCE DATA
SELECT OFFLOAD DEVICE

DISPLAY TO SCREEN

SELECT CANCEL

V2P.0 SOFTWARE

06pc298tb

- b. To display the data to the DU/PDU display use the arrow keys to move the box to DISPLAY TO SCREEN and press the key under SELECT. A PERFORMANCE DATA DISPLAY menu will be displayed.
- c. To view all data, press key under NEXT PAGE. Use the CANCEL key to exit this menu.

PERFORMANCE DATA DISPLAY

NEXT PAGE CANCEL

06pc252ma

APPENDIX G

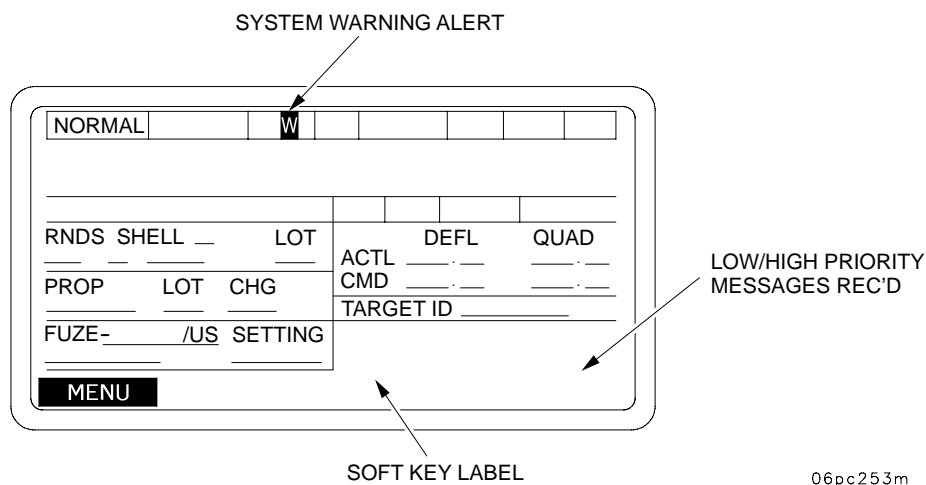
PDIU WARNING MESSAGES AND RECONFIGURATION ADVISOR

G-1 SCOPE.

This appendix contains a list of PDIU warning messages and the associated reconfiguration advisories. Following these advisories will give the best chance of continuing the mission.

G-2 GENERAL.

When the AFCS is in Normal Operation mode, and the hydraulic system is operational, a system warning issued by the PDIU will display a system warning alert as "W" in field (4) of the display. Also, if the warning is high priority, a HIGH PRIORITY URGENT message will be displayed in field (15), and a "ACK" label will appear in field (16).

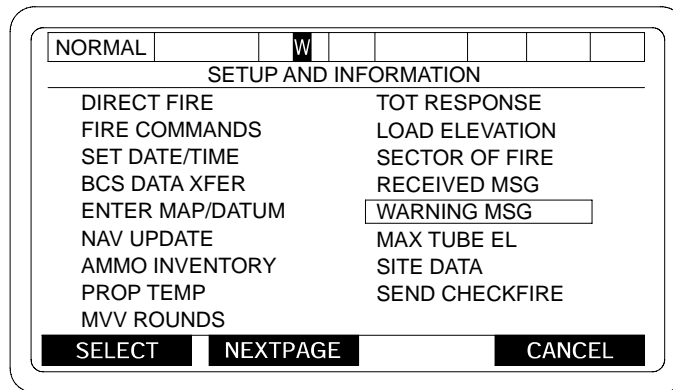


G-3 ACCESSING WARNING MESSAGES.

- a. When mission time allows, the warning message text can be accessed from the NORMAL operation menu by pressing the MENU soft key. This will display a SETUP AND INFORMATION menu.

G-3 ACCESSING WARNING MESSAGE - CONTINUED

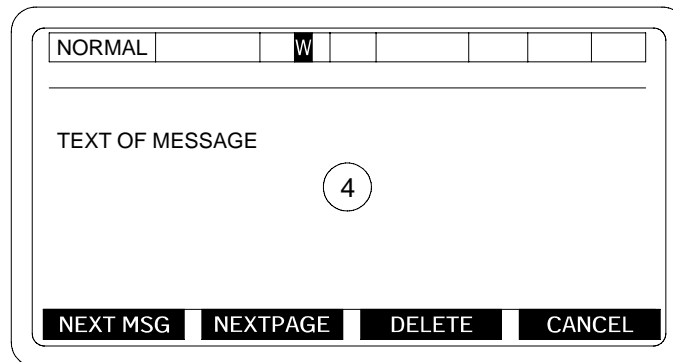
- b. To display the warning message menu, select WARNING MSG and press SELECT soft key.



06pc254m

The warning message text will be displayed in area (4) of the screen.

- c. If there is more than one message in the queue, a NEXT MSG label will appear over the first soft key. Press this key to display the next message.
- d. If there is more than one page to a message, a NEXT PAGE label will appear over the second soft key. Press this key to display the next page of the message.
- e. To delete the message being displayed, press the DELETE soft key.
- f. To return the SETUP AND INFORMATION menu, press the CANCEL soft key.



06pc255m

- g. The following paragraph contains a listing of the warning/advisor messages.

G-4 WARNING/ADVISOR MESSAGES**G-4.1 Operation Mode Warning Messages.**

- 1 HYD FLUID HOT: SHUTDOWN PUMP, MANUAL OPS
NOTIFY UNIT MAINT
- 2 HYD FLUID PRESSURE LOW: USE HAND RAM
NOTIFY UNIT MAINT
- 3 LOW HYDRAULIC FLUID LEVEL DETECTED
CHECK FLUID LEVEL
- 4 PDIU MEASUREMENTS OUT: MANUAL MONITORING
REQUIRED
- 5 ABNORMAL POWERDOWN DETECTED
VERIFY DATA BASE
- 6 PDIU FLOWMETER OUT: MONITOR
PRESSURE GAGE
- 7 PDIU PRESSURE TRANSDUCER OUT: MONITOR
PRESSURE GAGE
- 8 PDIU TEMPERATURE SENSOR OUT
- 9 HYD FLUID HOT: ENSURE COOLING FAN IS ON
- 10 CLOGGED HYD FILTER DETECTED: MONITOR
PRESSURE GAGE
- 11 HYD POWERPACK DEGRADED: USE HAND RAM
NOTIFY UNIT MAINT
- 12 EQUILIBRATION ERROR DETECTED
- 13 HYD FLUID TEMPERATURE BACK TO NORMAL
RESUME NORMAL OPS
- 14 MINOR PDIU TEMPERATURE SYSTEM ERROR

G-4 WARNING/ADVISOR MESSAGES - CONTINUED

G-4.2 Operation Mode Reconfiguration Advice Messages.

- 1 HYD FLUID HOT: SHUTDOWN PUMP, MANUAL OPS

TURN OFF HYDRAULIC POWER
USE MANUAL OPERATIONS
NOTIFY UNIT MAINTENANCE

CONTINUE NORMAL OPERATIONS WHEN:
HYD FLUID TEMPERATURE BACK TO NORMAL
MESSAGE IS RECEIVED

- 2 HYD FLUID PRESSURE LOW: USE HAND RAM

PRESSURE DROPS BELOW 300 PSI DURING
TRAVERSE (OR CAB AND GUN TUBE MOTION)

IF NECESSARY:
MANUALLY TRAVERSE AND ELEVATE
NOTIFY UNIT MAINTENANCE

- 3 LOW HYDRAULIC FLUID LEVEL DETECTED

HYDRAULIC POWER IS OUT
CHECK HYDRAULIC FLUID LEVEL

IF LEVEL OK:
USE MANUAL OPERATIONS
NOTIFY UNIT MAINTENANCE

- 4 PDIU MEASUREMENTS OUT: MANUAL MONITORING
REQUIRED

PDIU MONITORING AND TESTING IS OUT

CONTINUE NORMAL OPERATIONS
NOTIFY UNIT MAINTENANCE ASAP

- 5 ABNORMAL POWERDOWN DETECTED
VERIFY DATA BASE

DATA MAY NOT HAVE BEEN STORED:
GET MUZZLE VELOCITY, MOVE ORDER
VERIFY EFC, AMMO, SIGHT DATA, POSITION
VERIFY ALL * ITEMS IN INITIALIZATION

REENTER DATA AS REQUIRED
CONTINUE NORMAL OPERATIONS

G-4 WARNING/ADVISOR MESSAGES - CONTINUED

G-4.2 Operation Mode Reconfiguration Advice Messages - Continued

- 6 PDIU FLOWMETER OUT: MONITOR
PRESSURE GAGE

PDIU MONITORING AND TESTING IS DEGRADED

CONTINUE NORMAL OPERATIONS
NOTIFY UNIT MAINTENANCE ASAP
- 7 PDIU PRESSURE TRANSDUCER OUT: MONITOR
PRESSURE GAGE

PDIU MONITORING AND TESTING IS DEGRADED

CONTINUE NORMAL OPERATIONS
NOTIFY UNIT MAINTENANCE ASAP
- 8 PDIU TEMPERATURE SENSOR OUT:

PDIU MONITORING AND TESTING IS DEGRADED

CONTINUE NORMAL OPERATIONS BUT
SHUTDOWN HYDRAULIC POWER WHEN NOT IN USE
NOTIFY UNIT MAINTENANCE ASAP
- 9 HYD FLUID HOT: ENSURE COOLING FAN IS ON

CONTINUE NORMAL OPERATIONS

BE PREPARED TO TURN OFF HYDRAULIC POWER IF
HYD FLUID HOT: SHUTDOWN PUMP, MANUAL OPS
MESSAGE IS RECEIVED
- 10 CLOGGED HYD FILTER DETECTED: MONITOR
PRESSURE GAGE

CONTINUE NORMAL OPERATIONS IF POSSIBLE
NOTIFY UNIT MAINTENANCE
- 11 HYD POWERPACK DEGRADED: USE HAND RAM

IF NECESSARY
MANUALLY TRAVERSE AND ELEVATE
NOTIFY UNIT MAINTENANCE
- 12 EQUILIBRATION ERROR DETECTED

CONTINUE NORMAL OPERATIONS

RUN PDIU SYSTEM TEST TO:
CHECK AND ADJUST EQUILIBRATION ASAP

G-4 WARNING/ADVISOR MESSAGES - CONTINUED

G-4.3 Diagnostic Mode Reconfiguration Advice Messages.

- 1a DIGITAL COMMO IS OUT

ATTEMPT VOICE COMMO W/HANDSET.
IF NO VERIFY SIDETONE/SIG INDICATOR.
IF NO SWITCH HANDSET - RETRY.
IF NO VERIFY POWER - -RETRY.
SEE TM 11-5820-890-10-2 TO
TROUBLESHOOT RADIO AND RETRY
IF NO SIDETONE OR SIG INDICATOR
NOTIFY UNIT MAINT.

- 1b SIDETONE PRESENT. SEE OPERATOR'S GUIDE
VERIFY FREQ/KY MODE CORRECT - RETRY.
IF NO SWITCH TO SC IF IN FH - RETRY. IF NO
SWITCH TO HI POWER - RETRY. CHECK CABLES
SECURE AND NO BREAKS. IF BREAKS SWITCH -
RETRY. CHECK ANTENNA ARE SECURE, CLEAN
CONTACTS ON ANTENNA AND CABLES - RETRY.
IF NO MOVE TO HIGHER GROUND - RETRY.
IF NO NOTIFY UNIT MAINT.
CONTINUE MISSION WITH VOICE.

- 1c VERIFY NET ACCESS AND ADDRESS DATA ENTRY
CORRECT AND RETRY. VERIFY ACU/RADIO CABLE
SECURE. SWITCH TO HI POWER AND RETRY.
IF NO RELOCATE TO HIGHER GROUND - RETRY.
IF NO CONTINUE MISSION WITH VOICE.
NOTIFY UNIT MAINT.

- 2 COS CONTROL HANDLE IS DEGRADED/OUT

POSITION WEAPON WITH AFCS OR
USE GUNNER CONTROL HANDLE

- 3 GUNNER CONTROL HANDLE IS DEGRADED/OUT

POSITION WEAPON WITH AFCS OR
USE CHIEF OF SECTION CONTROL HANDLE

- 4 NAVIGATION SUBSYSTEM IS OUT
NOTIFY UNIT MAINT

NAVIGATE ON YOUR OWN
VERIFY POSITION
USE ALTERNATE METHOD OF LAY
ENTER BASE AZ USING SECTOR OF FIRE MENU
ENTER POSN DATA USING MANUAL MOVE ORDER
PRESS ARRIVED SOFTKEY

G-4 WARNING/ADVISOR MESSAGES - CONTINUED

G-4.3 Diagnostic Mode Reconfiguration Advice Messages - Continued

- 5 VEHICLE MOTION SENSOR IS OUT
 NOTIFY UNIT MAINT

 NAVIGATE NORMALLY

 STOP VEHICLE WHEN:
 ZUPT REQUIRED MESSAGE RECEIVED

 MOVE VEHICLE WHEN:
 ZUPT NO LONGER REQUIRED MESSAGE RECEIVED

- 6 WC IS OUT
 NOTIFY UNIT MAINT

 SEND POSITION DATA (PIECE STATUS) TO BCS
 BCS MUST COMPUTE FIRING DATA

 POSITION WEAPON WITH:
 HYDRAULIC POWER TRAVERSE AND ELEVATE
 OR MANUAL MODE

- 7 HYDRAULIC POWER IS OUT

 USE MANUAL OPERATIONS

- 8 AFCS WEAPON CONTROL IS OUT
 NOTIFY UNIT MAINT

 POSITION WEAPON WITH:
 HYDRAULIC POWER TRAVERSE AND ELEVATE
 OR MANUAL MODE

- 9 HYDRAULIC FLUID COOLING SYSTEM IS OUT
 SHUTDOWN HYDRAULIC POWER WHEN NOT IN USE

 IF MESSAGE:
 HYD FLUID HOT: SHUTDOWN PUMP, MANUAL OPS
 IS RECEIVED THEN:
 SHUTDOWN HYDRAULIC POWER
 USE MANUAL OPERATIONS

 CONTINUE NORMAL OPERATION WHEN:
 HYD FLUID TEMPERATURE BACK TO NORMAL
 MESSAGE IS RECEIVED

APPENDIX G.1

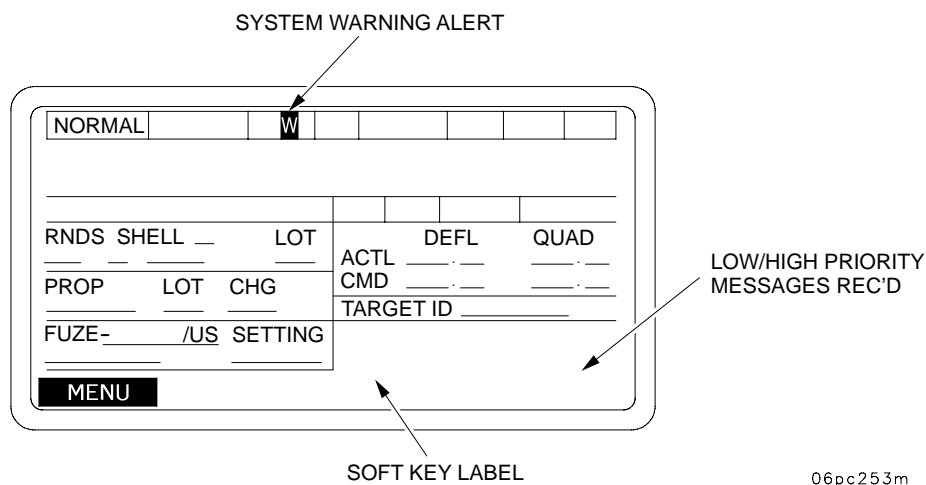
PDI WARNING MESSAGES AND RECONFIGURATION ADVISOR

G.1-1 SCOPE.

This appendix contains a list of PDI warning messages and the associated reconfiguration advisories. Following these advisories will give the best chance of continuing the mission.

G.1-2 GENERAL.

When the PDFCS is in Normal Operation mode, and the hydraulic system is operational, a system warning issued by the PDI will display a system warning alert as “W” in field (4) of the display. Also, if the warning is high priority, a HIGH PRIORITY URGENT message will be displayed in field (15), and an “ACK” label will appear in field (16).

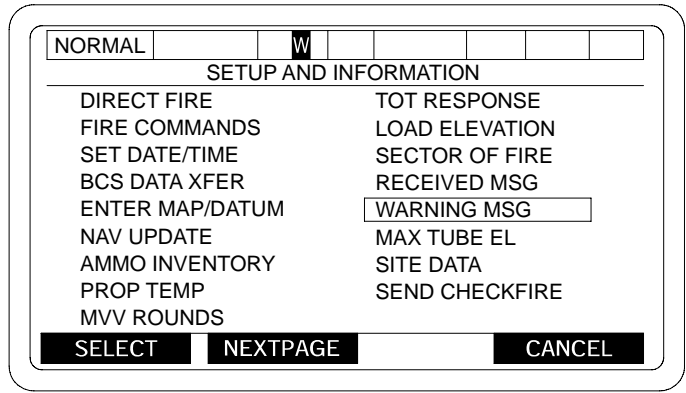


G.1-3 ACCESSING WARNING MESSAGES.

- a. When mission time allows, the warning message text can be accessed from the NORMAL operation menu by pressing the MENU soft key. This will display a SETUP AND INFORMATION menu.

G.1-3 ACCESSING WARNING MESSAGE - CONTINUED

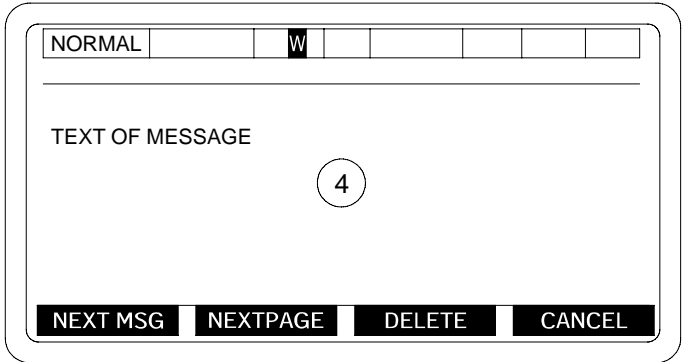
- b. To display the warning message menu, select WARNING MSG and press SELECT soft key.



06pc254m

The warning message text will be displayed in area (4) of the screen.

- c. If there is more than one message in the queue, a NEXT MSG label will appear over the first soft key. Press this key to display the next message.
- d. If there is more than one page to a message, a NEXT PAGE label will appear over the second soft key. Press this key to display the next page of the message.
- e. To delete the message being displayed, press the DELETE soft key.
- f. To return the SETUP AND INFORMATION menu, press the CANCEL soft key.



06pc255m

- g. The following paragraph contains a listing of the warning/advisor messages.

G.1-4 WARNING/ADVISOR MESSAGES

G.1-4.1 Operation Mode Warning Messages.

- 1 HYD FLUID HOT: SHUTDOWN PUMP, MANUAL OPS
NOTIFY UNIT MAINT
- 2 HYD FLUID PRESSURE LOW: USE HAND RAM
NOTIFY UNIT MAINT
- 3 LOW HYDRAULIC FLUID LEVEL DETECTED
CHECK FLUID LEVEL
- 4 PDI MEASUREMENTS OUT: MANUAL MONITORING
REQUIRED
- 5 ABNORMAL POWERDOWN DETECTED
VERIFY DATA BASE
- 6 PDI FLOWMETER OUT: MONITOR
PRESSURE GAGE
- 7 PDI PRESSURE TRANSDUCER OUT: MONITOR
PRESSURE GAGE
- 8 PDI TEMPERATURE SENSOR OUT
- 9 HYD FLUID HOT: ENSURE COOLING FAN IS ON
- 10 CLOGGED HYD FILTER DETECTED: MONITOR
PRESSURE GAGE
- 11 HYD POWERPACK DEGRADED: USE HAND RAM
NOTIFY UNIT MAINT
- 12 EQUILIBRATION ERROR DETECTED
- 13 HYD FLUID TEMPERATURE BACK TO NORMAL
RESUME NORMAL OPS
- 14 MINOR PDI TEMPERATURE SYSTEM ERROR

G.1-4 WARNING/ADVISOR MESSAGES - CONTINUED

G.1-4.2 Operation Mode Reconfiguration Advice Messages.

- 1 HYD FLUID HOT: SHUTDOWN PUMP, MANUAL OPS

TURN OFF HYDRAULIC POWER
USE MANUAL OPERATIONS
NOTIFY UNIT MAINTENANCE

CONTINUE NORMAL OPERATIONS WHEN:
HYD FLUID TEMPERATURE BACK TO NORMAL
MESSAGE IS RECEIVED

- 2 HYD FLUID PRESSURE LOW: USE HAND RAM

PRESSURE DROPS BELOW 300 PSI DURING
TRAVERSE (OR CAB AND GUN TUBE MOTION)

IF NECESSARY:
MANUALLY TRAVERSE AND ELEVATE
NOTIFY UNIT MAINTENANCE

- 3 LOW HYDRAULIC FLUID LEVEL DETECTED

HYDRAULIC POWER IS OUT
CHECK HYDRAULIC FLUID LEVEL

IF LEVEL OK:
USE MANUAL OPERATIONS
NOTIFY UNIT MAINTENANCE

- 4 PDI MEASUREMENTS OUT: MANUAL MONITORING
REQUIRED

PDI MONITORING AND TESTING IS OUT

CONTINUE NORMAL OPERATIONS
NOTIFY UNIT MAINTENANCE ASAP

- 5 ABNORMAL POWERDOWN DETECTED
VERIFY DATA BASE

DATA MAY NOT HAVE BEEN STORED:
GET MUZZLE VELOCITY, MOVE ORDER
VERIFY EFC, AMMO, SIGHT DATA, POSITION
VERIFY ALL * ITEMS IN INITIALIZATION

REENTER DATA AS REQUIRED
CONTINUE NORMAL OPERATIONS

G.1-4 WARNING/ADVISOR MESSAGES - CONTINUED**G.1-4.2 Operation Mode Reconfiguration Advice Messages - Continued**

- 6 PDI FLOWMETER OUT: MONITOR
PRESSURE GAGE

PDI MONITORING AND TESTING IS DEGRADED

CONTINUE NORMAL OPERATIONS
NOTIFY UNIT MAINTENANCE ASAP
- 7 PDI PRESSURE TRANSDUCER OUT: MONITOR
PRESSURE GAGE

PDI MONITORING AND TESTING IS DEGRADED

CONTINUE NORMAL OPERATIONS
NOTIFY UNIT MAINTENANCE ASAP
- 8 PDI TEMPERATURE SENSOR OUT:

PDI MONITORING AND TESTING IS DEGRADED

CONTINUE NORMAL OPERATIONS BUT
SHUTDOWN HYDRAULIC POWER WHEN NOT IN USE
NOTIFY UNIT MAINTENANCE ASAP
- 9 HYD FLUID HOT: ENSURE COOLING FAN IS ON

CONTINUE NORMAL OPERATIONS

BE PREPARED TO TURN OFF HYDRAULIC POWER IF
HYD FLUID HOT: SHUTDOWN PUMP, MANUAL OPS
MESSAGE IS RECEIVED
- 10 CLOGGED HYD FILTER DETECTED: MONITOR
PRESSURE GAGE

CONTINUE NORMAL OPERATIONS IF POSSIBLE
NOTIFY UNIT MAINTENANCE
- 11 HYD POWERPACK DEGRADED: USE HAND RAM

IF NECESSARY
MANUALLY TRAVERSE AND ELEVATE
NOTIFY UNIT MAINTENANCE
- 12 EQUILIBRATION ERROR DETECTED

CONTINUE NORMAL OPERATIONS

RUN PDI SYSTEM TEST TO:
CHECK AND ADJUST EQUILIBRATION ASAP

G.1-4 WARNING/ADVISOR MESSAGES - CONTINUED

G.1-4.3 Diagnostic Mode Reconfiguration Advice Messages.

- 1a DIGITAL COMMO IS OUT
ATTEMPT VOICE COMMO W/HANDSET.
IF NO VERIFY SIDETONE/SIG INDICATOR.
IF NO SWITCH HANDSET - RETRY.
IF NO VERIFY POWER - -RETRY.
SEE TM 11-5820-890-10-2 TO
TROUBLESHOOT RADIO AND RETRY
IF NO SIDETONE OR SIG INDICATOR
NOTIFY UNIT MAINT.
- 1b SIDETONE PRESENT. SEE OPERATOR'S GUIDE
VERIFY FREQ/KY MODE CORRECT - RETRY.
IF NO SWITCH TO SC IF IN FH - RETRY. IF NO
SWITCH TO HI POWER - RETRY. CHECK CABLES
SECURE AND NO BREAKS. IF BREAKS SWITCH -
RETRY. CHECK ANTENNA ARE SECURE, CLEAN
CONTACTS ON ANTENNA AND CABLES - RETRY.
IF NO MOVE TO HIGHER GROUND - RETRY.
IF NO NOTIFY UNIT MAINT.
CONTINUE MISSION WITH VOICE.
- 1c VERIFY NET ACCESS AND ADDRESS DATA ENTRY
CORRECT AND RETRY. VERIFY PDI/RADIO CABLE
SECURE. SWITCH TO HI POWER AND RETRY.
IF NO RELOCATE TO HIGHER GROUND - RETRY.
IF NO CONTINUE MISSION WITH VOICE.
NOTIFY UNIT MAINT.
- 2 COS CONTROL HANDLE IS DEGRADED/OUT
POSITION WEAPON WITH PDFCS OR
USE GUNNER CONTROL HANDLE
- 3 GUNNER CONTROL HANDLE IS DEGRADED/OUT
POSITION WEAPON WITH PDFCS OR
USE CHIEF OF SECTION CONTROL HANDLE
- 4 NAVIGATION SUBSYSTEM IS OUT
NOTIFY UNIT MAINT

NAVIGATE ON YOUR OWN
VERIFY POSITION
USE ALTERNATE METHOD OF LAY
ENTER BASE AZ USING SECTOR OF FIRE MENU
ENTER POSN DATA USING MANUAL MOVE ORDER
PRESS ARRIVED SOFTKEY

G.1-4 WARNING/ADVISOR MESSAGES - CONTINUED**G.1-4.3 Diagnostic Mode Reconfiguration Advice Messages - Continued**

- 5 VEHICLE MOTION SENSOR IS OUT
NOTIFY UNIT MAINT

NAVIGATE NORMALLY

STOP VEHICLE WHEN:
ZUPT REQUIRED MESSAGE RECEIVED

MOVE VEHICLE WHEN:
ZUPT NO LONGER REQUIRED MESSAGE RECEIVED
- 6 WC IS OUT
NOTIFY UNIT MAINT

SEND POSITION DATA (PIECE STATUS) TO BCS
BCS MUST COMPUTE FIRING DATA

POSITION WEAPON WITH:
HYDRAULIC POWER TRAVERSE AND ELEVATE
OR MANUAL MODE
- 7 HYDRAULIC POWER IS OUT

USE MANUAL OPERATIONS
- 8 PDFCS WEAPON CONTROL IS OUT
NOTIFY UNIT MAINT

POSITION WEAPON WITH:
HYDRAULIC POWER TRAVERSE AND ELEVATE
OR MANUAL MODE
- 9 HYDRAULIC FLUID COOLING SYSTEM IS OUT
SHUTDOWN HYDRAULIC POWER WHEN NOT IN USE

IF MESSAGE:
HYD FLUID HOT: SHUTDOWN PUMP, MANUAL OPS
IS RECEIVED THEN:
SHUTDOWN HYDRAULIC POWER
USE MANUAL OPERATIONS

CONTINUE NORMAL OPERATION WHEN:
HYD FLUID TEMPERATURE BACK TO NORMAL
MESSAGE IS RECEIVED

APPENDIX G.2

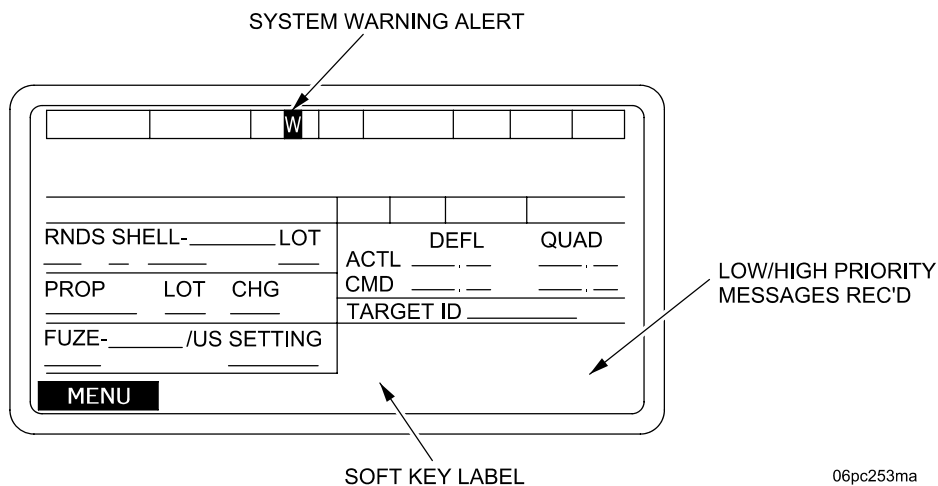
PDIU WARNING MESSAGES AND RECONFIGURATION ADVISOR (VERSION 7 SOFTWARE)

G.2-1 SCOPE.

This appendix contains a list of PDIU warning messages and the associated reconfiguration advisories. Following these advisories will give the best chance of continuing the mission.

G.2-2 GENERAL.

When the AFCS is in Normal Operation mode, and the hydraulic system is operational, a system warning issued by the PDIU will display a system warning alert as "W" in field (4) of the display. Also, if the warning is high priority, a HIGH PRIORITY URGENT message will be displayed in field (15), and a "ACK" label will appear in field (16).

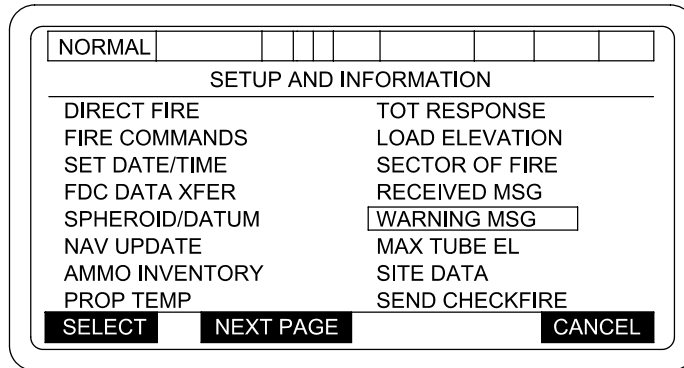


G.2-3 ACCESSING WARNING MESSAGES.

- a. When mission time allows, the warning message text can be accessed from the NORMAL operation menu by pressing the MENU soft key. This will display a SETUP AND INFORMATION menu.

G.2-3 ACCESSING WARNING MESSAGE - CONTINUED

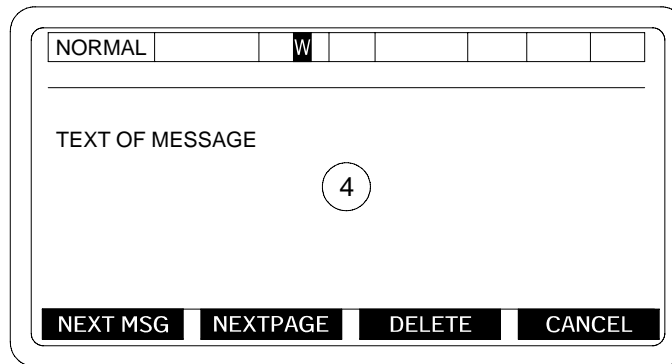
- b. To display the warning message menu, select WARNING MSG and press SELECT soft key.



06pc260ta

The warning message text will be displayed in area (4) of the screen.

- c. If there is more than one message in the queue, a NEXT MSG label will appear over the first soft key. Press this key to display the next message.
- d. If there is more than one page to a message, a NEXT PAGE label will appear over the second soft key. Press this key to display the next page of the message.
- e. To delete the message being displayed, press the DELETE soft key.
- f. To return the SETUP AND INFORMATION menu, press the CANCEL soft key.



06pc255m

- g. The following paragraph contains a listing of the warning/advisor messages.

G.2-4 WARNING/ADVISOR MESSAGES

G.2-4.1 Operation Mode Warning Messages.

- (1) HYD FLUID HOT: SHUTDOWN PUMP, MANUAL OPS
NOTIFY UNIT MAINT
- (2) HYD FLUID PRESSURE LOW: USE HAND RAM
NOTIFY UNIT MAINT
- (3) LOW HYDRAULIC FLUID LEVEL DETECTED
CHECK FLUID LEVEL
- (4) PDIU MEASUREMENTS OUT: MANUAL MONITORING
REQUIRED
- (5) ABNORMAL POWERDOWN DETECTED
VERIFY DATA BASE
- (6) PDIU FLOWMETER OUT: MONITOR
PRESSURE GAGE
- (7) PDIU PRESSURE TRANSDUCER OUT: MONITOR
PRESSURE GAGE
- (8) PDIU TEMPERATURE SENSOR OUT
- (9) HYD FLUID HOT: ENSURE COOLING FAN IS ON
- (10) CLOGGED HYD FILTER DETECTED: MONITOR
PRESSURE GAGE
- (11) HYD POWERPACK DEGRADED: USE HAND RAM
NOTIFY UNIT MAINT
- (12) EQUILIBRATION ERROR DETECTED
- (13) HYD FLUID TEMPERATURE BACK TO NORMAL
RESUME NORMAL OPS
- (14) MINOR PDIU TEMPERATURE SYSTEM ERROR

G.2-4 WARNING/ADVISOR MESSAGES - CONTINUED

G.2-4.2 Operation Mode Reconfiguration Advice Messages.

- (1) HYD FLUID HOT: SHUTDOWN PUMP, MANUAL OPS

TURN OFF HYDRAULIC POWER
USE MANUAL OPERATIONS
NOTIFY UNIT MAINTENANCE

CONTINUE NORMAL OPERATIONS WHEN:
HYD FLUID TEMPERATURE BACK TO NORMAL
MESSAGE IS RECEIVED
- (2) HYD FLUID PRESSURE LOW: USE HAND RAM

PRESSURE DROPS BELOW 300 PSI DURING
TRAVERSE (OR CAB AND GUN TUBE MOTION)

IF NECESSARY:
MANUALLY TRAVERSE AND ELEVATE
NOTIFY UNIT MAINTENANCE
- (3) LOW HYDRAULIC FLUID LEVEL DETECTED

HYDRAULIC POWER IS OUT
CHECK HYDRAULIC FLUID LEVEL

IF LEVEL OK:
USE MANUAL OPERATIONS
NOTIFY UNIT MAINTENANCE
- (4) PDIU MEASUREMENTS OUT: MANUAL MONITORING
REQUIRED

PDIU MONITORING AND TESTING IS OUT

CONTINUE NORMAL OPERATIONS
NOTIFY UNIT MAINTENANCE ASAP
- (5) ABNORMAL POWERDOWN DETECTED
VERIFY DATA BASE

DATA MAY NOT HAVE BEEN STORED:
GET MUZZLE VELOCITY, MOVE ORDER
VERIFY EFC, AMMO, SIGHT DATA, POSITION
VERIFY ALL * ITEMS IN INITIALIZATION

REENTER DATA AS REQUIRED
CONTINUE NORMAL OPERATIONS

G.2-4 WARNING/ADVISOR MESSAGES - CONTINUED**G.2-4.2 Operation Mode Reconfiguration Advice Messages - Continued**

- (6) PDIU FLOWMETER OUT: MONITOR
PRESSURE GAGE

PDIU MONITORING AND TESTING IS DEGRADED

CONTINUE NORMAL OPERATIONS
NOTIFY UNIT MAINTENANCE ASAP
- (7) PDIU PRESSURE TRANSDUCER OUT: MONITOR
PRESSURE GAGE

PDIU MONITORING AND TESTING IS DEGRADED

CONTINUE NORMAL OPERATIONS
NOTIFY UNIT MAINTENANCE ASAP
- (8) PDIU TEMPERATURE SENSOR OUT:

PDIU MONITORING AND TESTING IS DEGRADED

CONTINUE NORMAL OPERATIONS BUT
SHUTDOWN HYDRAULIC POWER WHEN NOT IN USE
NOTIFY UNIT MAINTENANCE ASAP
- (9) HYD FLUID HOT: ENSURE COOLING FAN IS ON

CONTINUE NORMAL OPERATIONS

BE PREPARED TO TURN OFF HYDRAULIC POWER IF
HYD FLUID HOT: SHUTDOWN PUMP, MANUAL OPS
MESSAGE IS RECEIVED
- (10) CLOGGED HYD FILTER DETECTED: MONITOR
PRESSURE GAGE

CONTINUE NORMAL OPERATIONS IF POSSIBLE
NOTIFY UNIT MAINTENANCE
- (11) HYD POWERPACK DEGRADED: USE HAND RAM

IF NECESSARY
MANUALLY TRAVERSE AND ELEVATE
NOTIFY UNIT MAINTENANCE
- (12) EQUILIBRATION ERROR DETECTED

CONTINUE NORMAL OPERATIONS

RUN PDIU SYSTEM TEST TO:
CHECK AND ADJUST EQUILIBRATION ASAP

G.2-4 WARNING/ADVISOR MESSAGES - CONTINUED

G.2-4.3 Diagnostic Mode Reconfiguration Advice Messages.

- (1) DIGITAL COMMO IS OUT

ATTEMPT VOICE COMMO W/HANDSET.
IF NO VERIFY SIDETONE/SIG INDICATOR.
IF NO SWITCH HANDSET - RETRY.
IF NO VERIFY POWER - -RETRY.
SEE TM 11-5820-890-10-2 TO
TROUBLESHOOT RADIO AND RETRY
IF NO SIDETONE OR SIG INDICATOR
NOTIFY UNIT MAINT.

SIDETONE PRESENT. SEE OPERATOR'S GUIDE
VERIFY FREQ/KY MODE CORRECT - RETRY.
IF NO SWITCH TO SC IF IN FH - RETRY. IF NO
SWITCH TO HI POWER - RETRY. CHECK CABLES
SECURE AND NO BREAKS. IF BREAKS SWITCH -
RETRY. CHECK ANTENNA ARE SECURE, CLEAN
CONTACTS ON ANTENNA AND CABLES - RETRY.
IF NO MOVE TO HIGHER GROUND - RETRY.
IF NO NOTIFY UNIT MAINT.
CONTINUE MISSION WITH VOICE.

VERIFY NETWORK DATA ENTRY
CORRECT AND RETRY. VERIFY ACU/RADIO CABLE
SECURE. SWITCH TO HI POWER AND RETRY.
IF NO RELOCATE TO HIGHER GROUND - RETRY.
IF NO CONTINUE MISSION WITH VOICE.
NOTIFY UNIT MAINT.

- (2) COS CONTROL HANDLE IS DEGRADED/OUT

POSITION WEAPON WITH AFCS OR
USE GUNNER CONTROL HANDLE

- (3) GUNNER CONTROL HANDLE IS DEGRADED/OUT

POSITION WEAPON WITH AFCS OR
USE CHIEF OF SECTION CONTROL HANDLE

- (4) NAVIGATION SUBSYSTEM IS OUT
NOTIFY UNIT MAINT

NAVIGATE ON YOUR OWN
VERIFY POSITION
USE ALTERNATE METHOD OF LAY
ENTER BASE AZ USING SECTOR OF FIRE MENU
ENTER POSN DATA USING MANUAL MOVE ORDER
PRESS ARRIVED SOFTKEY

G.2-4 WARNING/ADVISOR MESSAGES - CONTINUED**G.2-4.3 Diagnostic Mode Reconfiguration Advice Messages - Continued**

- (5) VEHICLE MOTION SENSOR IS OUT
NOTIFY UNIT MAINT
- NAVIGATE NORMALLY
- STOP VEHICLE WHEN:
ZUPT REQUIRED MESSAGE RECEIVED
- MOVE VEHICLE WHEN:
ZUPT NO LONGER REQUIRED MESSAGE RECEIVED
- (6) WC IS OUT
NOTIFY UNIT MAINT
- SEND POSITION DATA (PIECE STATUS) TO BCS
BCS MUST COMPUTE FIRING DATA
- POSITION WEAPON WITH:
HYDRAULIC POWER TRAVERSE AND ELEVATE
OR MANUAL MODE
- (7) HYDRAULIC POWER IS OUT
- USE MANUAL OPERATIONS
- (8) AFCS WEAPON CONTROL IS OUT
NOTIFY UNIT MAINT
- POSITION WEAPON WITH:
HYDRAULIC POWER TRAVERSE AND ELEVATE
OR MANUAL MODE
- (9) HYDRAULIC FLUID COOLING SYSTEM IS OUT
SHUTDOWN HYDRAULIC POWER WHEN NOT IN USE
- IF MESSAGE:
HYD FLUID HOT: SHUTDOWN PUMP, MANUAL OPS
IS RECEIVED THEN:
SHUTDOWN HYDRAULIC POWER
USE MANUAL OPERATIONS
- CONTINUE NORMAL OPERATION WHEN:
HYD FLUID TEMPERATURE BACK TO NORMAL
MESSAGE IS RECEIVED

APPENDIX G.3

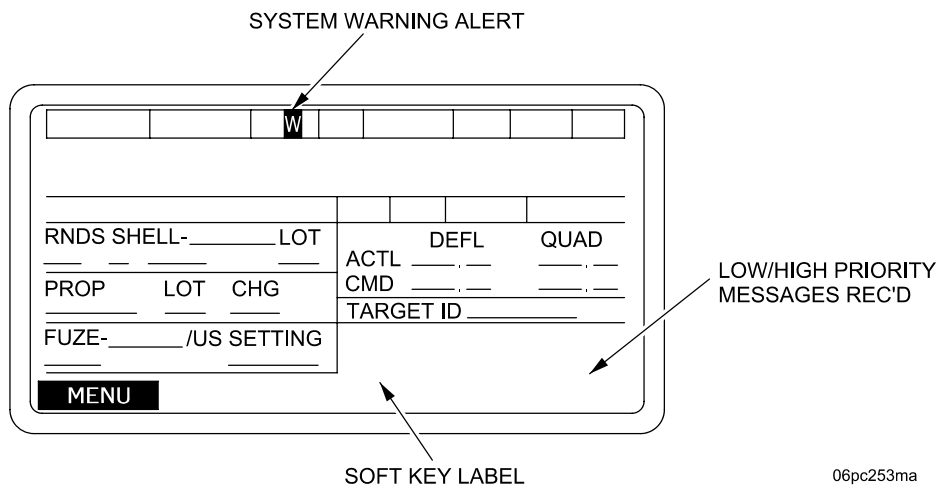
PDI WARNING MESSAGES AND RECONFIGURATION ADVISOR (VERSION 7P SOFTWARE)

G.3-1 SCOPE.

This appendix contains a list of PDI warning messages and the associated reconfiguration advisories. Following these advisories will give the best chance of continuing the mission.

G.3-2 GENERAL.

When the PDFCS is in Normal Operation mode, and the hydraulic system is operational, a system warning issued by the PDI will display a system warning alert as "W" in field (4) of the display. Also, if the warning is high priority, a HIGH PRIORITY URGENT message will be displayed in field (15), and an "ACK" label will appear in field (16).

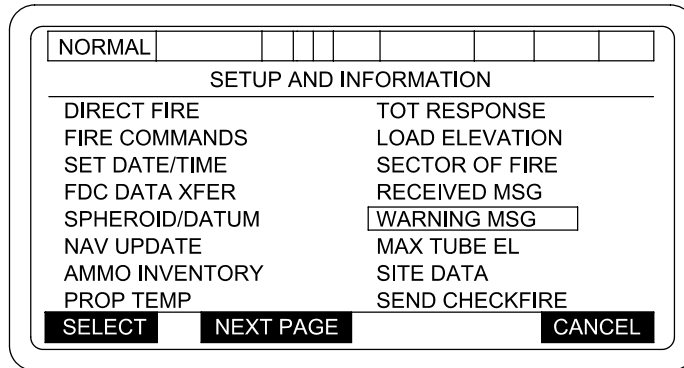


G.3-3 ACCESSING WARNING MESSAGES.

- a. When mission time allows, the warning message text can be accessed from the NORMAL operation menu by pressing the MENU soft key. This will display a SETUP AND INFORMATION menu.

G.3-3 ACCESSING WARNING MESSAGE - CONTINUED

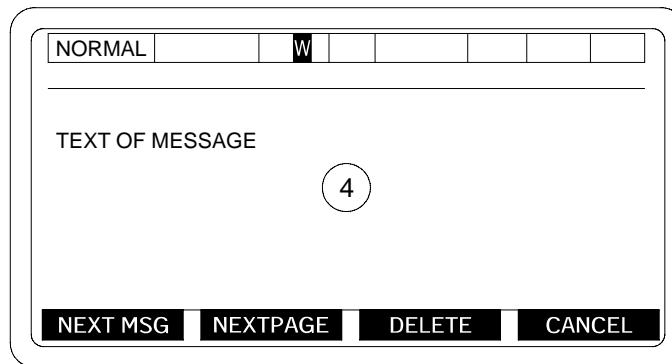
- b. To display the warning message menu, select WARNING MSG and press SELECT soft key.



06pc260ta

The warning message text will be displayed in area ④ of the screen.

- c. If there is more than one message in the queue, a NEXT MSG label will appear over the first soft key. Press this key to display the next message.
- d. If there is more than one page to a message, a NEXT PAGE label will appear over the second soft key. Press this key to display the next page of the message.
- e. To delete the message being displayed, press the DELETE soft key.
- f. To return the SETUP AND INFORMATION menu, press the CANCEL soft key.



06pc255m

- g. The following paragraph contains a listing of the warning/advisor messages.

G.3-4 WARNING/ADVISOR MESSAGES

G.3-4.1 Operation Mode Warning Messages.

- (1) HYD FLUID HOT: SHUTDOWN PUMP, MANUAL OPS
NOTIFY UNIT MAINT
- (2) HYD FLUID PRESSURE LOW: USE HAND RAM
NOTIFY UNIT MAINT
- (3) LOW HYDRAULIC FLUID LEVEL DETECTED
CHECK FLUID LEVEL
- (4) PDI MEASUREMENTS OUT: MANUAL MONITORING
REQUIRED
- (5) ABNORMAL POWERDOWN DETECTED
VERIFY DATA BASE
- (6) PDI FLOWMETER OUT: MONITOR
PRESSURE GAGE
- (7) PDI PRESSURE TRANSDUCER OUT: MONITOR
PRESSURE GAGE
- (8) PDI TEMPERATURE SENSOR OUT
- (9) HYD FLUID HOT: ENSURE COOLING FAN IS ON
- (10) CLOGGED HYD FILTER DETECTED: MONITOR
PRESSURE GAGE
- (11) HYD POWERPACK DEGRADED: USE HAND RAM
NOTIFY UNIT MAINT
- (12) EQUILIBRATION ERROR DETECTED
- (13) HYD FLUID TEMPERATURE BACK TO NORMAL
RESUME NORMAL OPS
- (14) MINOR PDI TEMPERATURE SYSTEM ERROR

G.3-4 WARNING/ADVISOR MESSAGES - CONTINUED

G.3-4.2 Operation Mode Reconfiguration Advice Messages.

- (1) HYD FLUID HOT: SHUTDOWN PUMP, MANUAL OPS

TURN OFF HYDRAULIC POWER
USE MANUAL OPERATIONS
NOTIFY UNIT MAINTENANCE

CONTINUE NORMAL OPERATIONS WHEN:
HYD FLUID TEMPERATURE BACK TO NORMAL
MESSAGE IS RECEIVED

- (2) HYD FLUID PRESSURE LOW: USE HAND RAM

PRESSURE DROPS BELOW 300 PSI DURING
TRAVERSE (OR CAB AND GUN TUBE MOTION)

IF NECESSARY:
MANUALLY TRAVERSE AND ELEVATE
NOTIFY UNIT MAINTENANCE

- (3) LOW HYDRAULIC FLUID LEVEL DETECTED

HYDRAULIC POWER IS OUT
CHECK HYDRAULIC FLUID LEVEL

IF LEVEL OK:
USE MANUAL OPERATIONS
NOTIFY UNIT MAINTENANCE

- (4) PDI MEASUREMENTS OUT: MANUAL MONITORING
REQUIRED

PDI MONITORING AND TESTING IS OUT

CONTINUE NORMAL OPERATIONS
NOTIFY UNIT MAINTENANCE ASAP

- (5) ABNORMAL POWERDOWN DETECTED
VERIFY DATA BASE

DATA MAY NOT HAVE BEEN STORED:
GET MUZZLE VELOCITY, MOVE ORDER
VERIFY EFC, AMMO, SIGHT DATA, POSITION
VERIFY ALL * ITEMS IN INITIALIZATION

REENTER DATA AS REQUIRED
CONTINUE NORMAL OPERATIONS

G.3-4 WARNING/ADVISOR MESSAGES - CONTINUED**G.3-4.2 Operation Mode Reconfiguration Advice Messages - Continued**

- (6) PDI FLOWMETER OUT: MONITOR
PRESSURE GAGE

PDI MONITORING AND TESTING IS DEGRADED

CONTINUE NORMAL OPERATIONS
NOTIFY UNIT MAINTENANCE ASAP
- (7) PDI PRESSURE TRANSDUCER OUT: MONITOR
PRESSURE GAGE

PDI MONITORING AND TESTING IS DEGRADED

CONTINUE NORMAL OPERATIONS
NOTIFY UNIT MAINTENANCE ASAP
- (8) PDI TEMPERATURE SENSOR OUT:

PDI MONITORING AND TESTING IS DEGRADED

CONTINUE NORMAL OPERATIONS BUT
SHUTDOWN HYDRAULIC POWER WHEN NOT IN USE
NOTIFY UNIT MAINTENANCE ASAP
- (9) HYD FLUID HOT: ENSURE COOLING FAN IS ON

CONTINUE NORMAL OPERATIONS

BE PREPARED TO TURN OFF HYDRAULIC POWER IF
HYD FLUID HOT: SHUTDOWN PUMP, MANUAL OPS
MESSAGE IS RECEIVED
- (10) CLOGGED HYD FILTER DETECTED: MONITOR
PRESSURE GAGE

CONTINUE NORMAL OPERATIONS IF POSSIBLE
NOTIFY UNIT MAINTENANCE
- (11) HYD POWERPACK DEGRADED: USE HAND RAM

IF NECESSARY
MANUALLY TRAVERSE AND ELEVATE
NOTIFY UNIT MAINTENANCE
- (12) EQUILIBRATION ERROR DETECTED

CONTINUE NORMAL OPERATIONS

RUN PDI SYSTEM TEST TO:
CHECK AND ADJUST EQUILIBRATION ASAP

G.3-4 WARNING/ADVISOR MESSAGES - CONTINUED

G.3-4.3 Diagnostic Mode Reconfiguration Advice Messages.

- (1) DIGITAL COMMO IS OUT
ATTEMPT VOICE COMMO W/HANDSET.
IF NO VERIFY SIDETONE/SIG INDICATOR.
IF NO SWITCH HANDSET - RETRY.
IF NO VERIFY POWER - -RETRY.
SEE TM 11-5820-890-10-2 TO
TROUBLESHOOT RADIO AND RETRY
IF NO SIDETONE OR SIG INDICATOR
NOTIFY UNIT MAINT.

SIDETONE PRESENT. SEE OPERATOR'S GUIDE
VERIFY FREQ/KY MODE CORRECT - RETRY.
IF NO SWITCH TO SC IF IN FH - RETRY. IF NO
SWITCH TO HI POWER - RETRY. CHECK CABLES
SECURE AND NO BREAKS. IF BREAKS SWITCH -
RETRY. CHECK ANTENNA ARE SECURE, CLEAN
CONTACTS ON ANTENNA AND CABLES - RETRY.
IF NO MOVE TO HIGHER GROUND - RETRY.
IF NO NOTIFY UNIT MAINT.
CONTINUE MISSION WITH VOICE.

VERIFY NETWORK DATA ENTRY
CORRECT AND RETRY. VERIFY PDI/RADIO CABLE
SECURE. SWITCH TO HI POWER AND RETRY.
IF NO RELOCATE TO HIGHER GROUND - RETRY.
IF NO CONTINUE MISSION WITH VOICE.
NOTIFY UNIT MAINT.

- (2) COS CONTROL HANDLE IS DEGRADED/OUT
POSITION WEAPON WITH PDFCS OR
USE GUNNER CONTROL HANDLE
- (3) GUNNER CONTROL HANDLE IS DEGRADED/OUT
POSITION WEAPON WITH PDFCS OR
USE CHIEF OF SECTION CONTROL HANDLE
- (4) NAVIGATION SUBSYSTEM IS OUT
NOTIFY UNIT MAINT

NAVIGATE ON YOUR OWN
VERIFY POSITION
USE ALTERNATE METHOD OF LAY
ENTER BASE AZ USING SECTOR OF FIRE MENU
ENTER POSN DATA USING MANUAL MOVE ORDER
PRESS ARRIVED SOFTKEY

G.3-4 WARNING/ADVISOR MESSAGES - CONTINUED**G.3-4.3 Diagnostic Mode Reconfiguration Advice Messages - Continued**

- (5) VEHICLE MOTION SENSOR IS OUT
NOTIFY UNIT MAINT
- NAVIGATE NORMALLY
- STOP VEHICLE WHEN:
ZUPT REQUIRED MESSAGE RECEIVED
- MOVE VEHICLE WHEN:
ZUPT NO LONGER REQUIRED MESSAGE RECEIVED
- (6) WC IS OUT
NOTIFY UNIT MAINT
- SEND POSITION DATA (PIECE STATUS) TO BCS
BCS MUST COMPUTE FIRING DATA
- POSITION WEAPON WITH:
HYDRAULIC POWER TRAVERSE AND ELEVATE
OR MANUAL MODE
- (7) HYDRAULIC POWER IS OUT
- USE MANUAL OPERATIONS
- (8) PDFCS WEAPON CONTROL IS OUT
NOTIFY UNIT MAINT
- POSITION WEAPON WITH:
HYDRAULIC POWER TRAVERSE AND ELEVATE
OR MANUAL MODE
- (9) HYDRAULIC FLUID COOLING SYSTEM IS OUT
SHUTDOWN HYDRAULIC POWER WHEN NOT IN USE
- IF MESSAGE:
HYD FLUID HOT: SHUTDOWN PUMP, MANUAL OPS
IS RECEIVED THEN:
SHUTDOWN HYDRAULIC POWER
USE MANUAL OPERATIONS
- CONTINUE NORMAL OPERATION WHEN:
HYD FLUID TEMPERATURE BACK TO NORMAL
MESSAGE IS RECEIVED

APPENDIX G.4

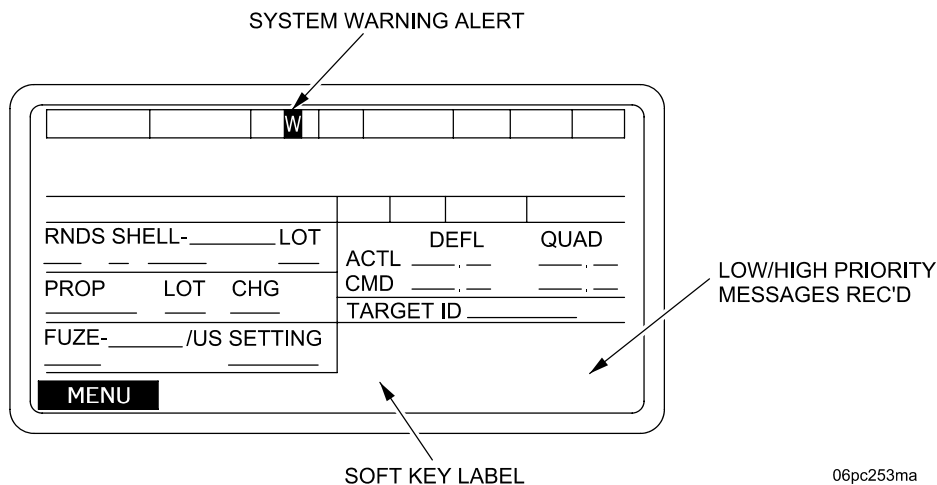
PDIU/PDI WARNING MESSAGES (VERSION 2 and 2P SOFTWARE)

G.4-1 SCOPE.

This appendix contains a table of PDIU/PDI warning messages and the associated reconfiguration advisories. Following these advisories will give the best chance of continuing the mission.

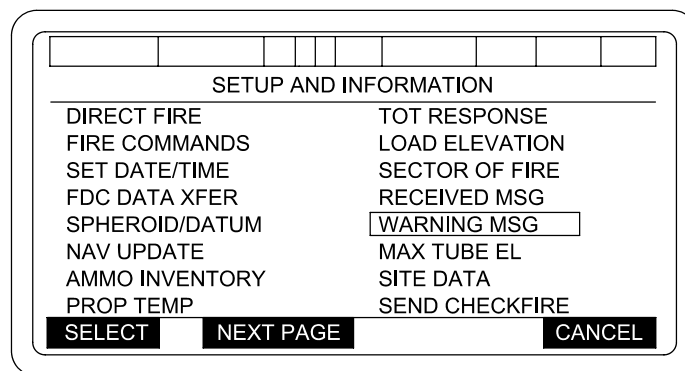
G.4-2 GENERAL.

When the PDFCS is in Normal Operation mode, and the hydraulic system is operational, a system warning issued by the PDIU/PDI will display a system warning alert as "W" in field (4) of the display. Also, if the warning is high priority, a HIGH PRIORITY URGENT message will be displayed in the main display area, and an "ACK" label will appear in function key area.



G.4-3 ACCESSING WARNING MESSAGES.

- a. When mission time allows, the warning message text can be accessed from the NORMAL operation menu by pressing the MENU soft key. This will display a SETUP AND INFORMATION menu.
- b. To display the warning message menu, select WARNING MSG and press SELECT soft key.

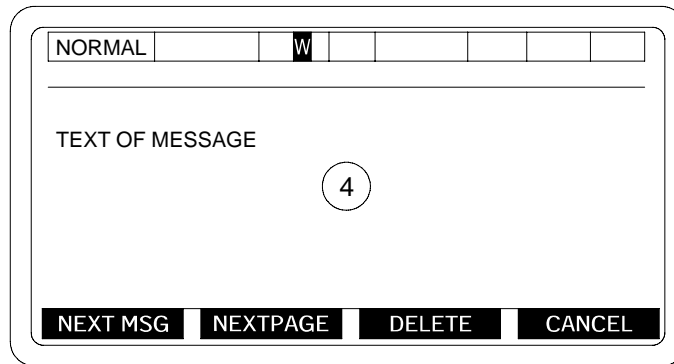


G.4-3 ACCESSING WARNING MESSAGE - CONTINUED

- c. The warning message text will be displayed in area 4 of the screen.
- d. If there is more than one message in the queue, a NEXT MSG label will appear over the first soft key. Press this key to display the next message.
- e. If there is more than one page to a message, a NEXT PAGE label will appear over the second soft key. Press this key to display the next page of the message.
- f. To delete the message being displayed, press the DELETE soft key.
- g. To return the SETUP AND INFORMATION menu, press the CANCEL soft key.

NOTE

- The Paladin will keep three (3) messages in a buffer. If there are more than three unviewed messages, the Paladin will discard the oldest and display the error message "MESSAGES HAVE BEEN LOST" "ACK" to the operator upon entry into the screen.
- The SYSTEM WARNING MESSAGE counter has a range from 0001 to 9999 and will reset on each power-up. If the counter reaches 9999, then the next WARNING MESSAGE number will be reset to 0001.



06pc255m

- h. The following paragraph contains a listing of the warning/advisor messages.

G.4-4 WARNING/ADVISOR MESSAGES**Table G.4-1 System Warning Messages**

Warning Messages	Cause	Reconfiguration Advisory
MOVE MISSION PENDED ACTIVATION TIME IS YY/MM/DD/HHMM	Move order received for a future time.	The Move Order will activate at the time specified in the message.
ANOTHER STATION ON THE NETWORK IS USING YOUR STATION ADDRESS	Two or more stations have the same URN.	Verify station address and re-enter the URN as needed.
CAN NOT COMMUNICATE WITH DATA RADIO	The Paladin can not detect the signal from the radio.	Verify the following: (1) Radio cable is connected. (2) Radio is turned on. (3) Radio is configured properly. When all conditions are met, reset the TCIM.
ERROR IN GPS CRYPTO KEYS	The GPS receiver doesn't have a valid crypto key loaded.	Load valid crypto keys.
NOT ENOUGH CODED GPS DATA	The GPS receiver is receiving fewer than four "Y" coded satellites.	Check to ensure that GPS antenna is not obstructed. If necessary, and when instructed by the POC, set USE CODED GPS DATA to NO (see para 2-15.7.12).
GPS MEMORY BATTERY LOW	Low GPS memory battery.	Replace the GPS memory battery as soon as possible.
GPS MAIN BATTERY LOW	Low GPS main battery.	Replace the GPS main battery as soon as possible.
FAULTS DETECTED IN THE GPS ANTENNA	The GPS receiver reported a fault in the GPS antenna.	Check the GPS Antenna cabling is present and connected.
GPS OPERATING ON PRIMARY BATTERY	The Paladin detected a vehicle power feed failure.	Check the power cable.
GPS EMERGENCY ZEROIZE PASSED	The Paladin has detected a successful GPS Emergency Zeroize.	No further action required.
GPS EMERGENCY ZEROIZE FAILED	The Paladin has detected a failure during the GPS Emergency Zeroize.	If abandoning the vehicle, remove GPS receiver and take with you or destroy GPS receiver.
PDIU/PDI PRESSURE TRANSDUCER OUT: MONITOR PRESSURE GAUGE	A problem has occurred in the system's monitoring capability.	Continue normal operations and notify unit maintenance.
HYD FLUID HOT: SHUTDOWN PUMP, MANUAL OPS NOTIFY UNIT MAINT	When the Temperature Sensor Test Inhibit status is not set and the hydraulic fluid temperature measures more than 250 degrees F for more than 5 seconds, and the Temperature Shutdown status is not set.	Turn off the hydraulic power and use manual operations. Notify unit maintenance and continue manual operations until the warning message: HYD FLUID TEMPERATURE BACK TO NORMAL RESUME NORMAL OPS message is received.
HYD FLUID PRESSURE LOW: USE HAND RAM NOTIFY UNIT MAINT	The PDI/PDIU has determined that the hydraulic fluid pressure is low and normal operations are not possible.	Traverse (or cab and gun tube motion) manually and elevate. Notify unit maintenance.

G.4-4 WARNING/ADVISOR MESSAGES - CONTINUED

Table G.4-1 - System Warning Messages - Continued

Warning Messages	Cause	Reconfiguration Advisory
LOW HYDRAULIC FLUID LEVEL DETECTED CHECK FLUID LEVEL	The PDI/PDIU has determined that the hydraulic fluid level is low.	Hydraulic power is out, check hydraulic fluid level. If level is ok use manual operations and notify unit maintenance.
PDIU/PDI MEASUREMENTS OUT: MANUAL MONITORING REQUIRED	A problem has occurred in the system's monitoring capability.	Continue normal operations and notify unit maintenance.
ABNORMAL POWERDOWN DETECTED VERIFY DATA BASE	An abnormal powerdown was detected.	Data may not have been stored. Get the muzzle velocity data, EFC data, move order data, ammunition data, sight data, position data and re-enter and continue normal operations.
PDIU/PDI FLOWMETER OUT: MONITOR PRESSURE GAUGE	When the hydraulic power is on and the Frequency Measurement Error status is set by the Perform Measurement function (during the flowmeter measurement made in the Background Monitoring Mode Weapon Positioning Monitoring function).	Continue normal operations and notify unit maintenance.
PDIU/PDI TEMPERATURE SENSOR OUT	The PDI/PDIU is not able to monitor the hydraulic fluid temperature.	Continue normal operations but shutdown hydraulic power when not in use. Notify unit maintenance.
HYD FLUID HOT: ENSURE COOLING FAN IS ON	When the Temperature Sensor Test Inhibit status is not set and the hydraulic fluid temperature measures between 200 and 250 degrees F for more than 5 seconds.	Turn off hydraulic power and shutdown pump. Ensure that the cooling fan remains ON.
CLOGGED HYD FILTER DETECTED: MONITOR PRESSURE GAGE	When the Low Temperature Filter Test Inhibit status is not set and the hydraulic filter testpoint measures less than 18 volts for more than 5 seconds.	Continue normal operations and notify unit maintenance.
HYD POWER PACK DEGRADED: USE HAND RAM NOTIFY UNIT MAINT	When the voltage at the hydraulic pump motor is greater than 22 volts and the hydraulic fluid pressure is greater than 300 psi and the calculated efficiency is less than 0.3.	Manually traverse and elevate and notify unit maintenance.
EQUILIBRATION ERROR DETECTED	The system has detected a problem with equilibration of the hydraulics.	Run PDIU/PDI system test to check and adjust equilibration.
HYD FLUID TEMPERATURE BACK TO NORMAL RESUME NORMAL OPS	When the Temperature Sensor Test Inhibit status is not set and the hydraulic fluid temperature measures less than 175 degrees F for more than 5 seconds.	Resume normal operations.

APPENDIX H

CORROSION PREVENTION AND CONTROL (CPC)

H-1 SCOPE.

This appendix contains crew level CPC information such as types of corrosion problems, treatments, and tools and material available.

While corrosion is typically associated with rusting of metals, it can also include the deterioration of other materials such as rubber and plastic. Unusual cracking, softening, swelling, or breaking of these materials may be a corrosion problem.

It is important that any corrosion problem with this item be reported. This will allow the problem to be corrected, and improvements made to prevent the problem on future items. Reports can be made using Standard Form 368, Quality Deficiency Report. Use of key words such as corrosion, rust, deteriorating, or cracking will assure that the information is identified as a CPC problem.

The form should be submitted to:

Department of the Army
U.S. Army Tank-automotive and Armaments Command
Armament Research, Development and Engineering Center
ATTN: AMSTA-AR-QAW-C
TACOM-ARDEC
1 Rock Island Arsenal
Rock Island, IL 61299-7300

H-2 GENERAL.

The CPC program is a planned and organized effort to prevent damage to the M109A6 during its operation. This is done by the proper and timely identification, documentation, and implementation of corrective actions. As the first line of defense, the operator will visually check the vehicle for corrosion and identify methods of treatment.

When in doubt about a corrosion condition, report it to unit maintenance.

H-3 TYPES OF CORROSION PROBLEMS.

- a. Corrosion of Painted Surfaces. This type of corrosion occurs primarily on painted steel surfaces. The paint is often cracked and the area may have a reddish brown appearance. The size and location may vary widely from small spots to large areas. It may occur at interfaces of mating parts such as where the suspension mates to the hull or around fasteners such as nuts, bolts, or washers.
- b. Corrosion of Unpainted Moving Parts. This type of corrosion occurs on moving parts such as hinges, pins, and catches where the original protective finish was removed through use or exposure to weather. It also has a reddish brown appearance.
- c. Stress Corrosion Cracks. Stress corrosion cracking is a form of corrosion that can occur in high strength steel and aluminum. It is found in the form of cracks or seams in areas where no parts are joined.
- d. Selective Leaching. This type of corrosion occurs on brass or bronze components found primarily in electrical connectors. This has a spongy type appearance with much of the original metal removed.

H-4 TREATMENT PROCEDURES.

- a. General. Keep the vehicle and individual components clean. Dirt, grease, oil, and debris may conceal a serious problem. Clean components as needed. Use dry-cleaning solvent on all metal surfaces. Use mild soap and water to clean rubber and plastic parts.

Remove existing (old) lubricant with solvent or cleaner if possible. Corrosion or corrosion products should be carefully removed with a soft bristle brush or crocus cloth. Do not use stainless steel brush, steel wool, or sandpaper. Do not disassemble. Use care not to remove paint or protective finishes from other noncorroded parts. Thoroughly clean with solvent or cleaner.

Lubricate equipment in accordance with Appendix I.

Clean batteries in accordance with TM 9-6140-200-14.

- b. Painted Surfaces. Components which require paint are to be referred to unit maintenance.
- c. Unpainted Surfaces. Clean the bore and breech mechanism in accordance with Chapter 3 and lubricate per Appendix I. Coat other unpainted metal surfaces with oil or grease as appropriate.
- d. Stress Corrosion Cracks. The crack should be verified by probing into the metal, and not just checking cracked paint. If cracked, report to unit maintenance.
- e. Rubber and Plastic Material. The only repair to deteriorating rubber or plastic is to replace at unit maintenance or higher level maintenance.

H-5 TOOLS AND MATERIALS.

The following table lists the tools and materials used by the crew in performing CPC on the M109A6.

ITEM	DESCRIPTION	NSN	U/M
1.	Brush, Cleaning, Tool and Parts	7920-00-062-5468	EA
2.	Cleaner, Lubricant, and Preservative	9150-01-053-6688	PT
3.	Cloth, Abrasive Crocus, 50 Sheets	5350-00-221-0872	PG
4.	Detergent, General Purpose	7930-00-282-9699	GL
5.	Dry-Cleaning Solvent	6850-00-285-8011	GL
6.	Grease, Automotive, Artillery	9150-01-197-7688	OZ
7.	Kit, Artillery, Cleaning	1025-01-196-2172	EA
8.	Lubricating Oil, General	9150-00-231-2361	QT
9.	Pail, Utility 14 qt	7240-00-160-0455	EA
10.	Oiler, Hand Steel, Pump	4930-00-262-8868	EA
11.	Rag, Wiping, 50 lb Bale	7920-00-205-1711	LB
12.	Thinner, Aliphatic	8010-00-181-8079	CN

APPENDIX I

LUBRICATION INSTRUCTIONS

I-1 SCOPE.

This appendix lists and prescribes cleaning and lubrication procedures as to locations, intervals, and proper materials for this vehicle.

I-2 GENERAL.

- a. General. Any special lubricating instructions required for special mechanisms or parts are contained in the pertinent section.
- b. Service Intervals. Service intervals specified on the lubricating chart are for normal operation and where moderate temperature, humidity and atmospheric conditions prevail. Report unsatisfactory performance of prescribed petroleum fuels, lubricants, or preserving materials, using DA Form 2407, Maintenance Request.

This appendix is divided into lubrication intervals. For example, when performing a daily lube, refer to page I-5 through I-15. If you operate without firing, refer to pages I-16 through I-37. Weekly, Monthly, Quarterly, Semi-Annual, Annual and Irregular interval lubrication instructions are given on pages I-16 through I-37. If you operate with firing, refer to pages I-9 through I-15.

Intervals (on-condition or hard time) and the related man-hour times are based on normal operation.

Lubrication point pictures shown with dash lines (- - - -) means there are lube points on both sides of vehicle.

Clean parts with SOLVENT, DRY-CLEANING (MIL-PRF-680).

WARNING

Dry-cleaning solvent (MIL-PRF-680) is toxic and flammable. To avoid injury, wear protective goggles and gloves and use only in a well-ventilated area. Avoid contact with skin, eyes, and clothes. Do not breathe vapors. Do not use near open flame or excessive heat. Do not smoke when using solvent. Failure to do so could cause SERIOUS INJURY. If you become dizzy while using dry-cleaning solvent, get fresh air immediately, and if necessary, get medical attention. If contact with skin or clothes is made, flush thoroughly with water. If the solvent contacts your eyes, wash them with water immediately and obtain medical aid (FM 4-25.11).

Before you start your lube service, observe the following:

NEVER

- a. Use wrong type lubricant.
- b. Use too much lubricant.
- c. Use hydraulic fluid (FRH) MIL-H-46170 in the hydraulic systems.

ALWAYS

- a. Clean grease fittings before lubrication.
- b. Use this lubrication order as your guide.
- c. Check for lubricant and fuel leaks along with daily services.

I-2 GENERAL - CONTINUED

After water fording, you have to lubricate.

Make sure vehicle is level when checking oil levels: If it isn't, you'll get incorrect readings on dipsticks and sight gages.

INTERVAL

D Daily	Q Quarterly
W Weekly	S Semi-Annually
M Monthly	A Annually

- OE/HDO Lubricating Oil, ICE, Tactical Service (MIL-PRF-2104)
- OEA Lubricating Oil, Internal Combustion Engine, Arctic (MIL-PRF-46167)

NOTE

Under emergency conditions only, OHA hydraulic fluid may be used in the hydraulic system.

- OHT Hydraulic Fluid, Petroleum Base, Preservative, Hydraulic Equipment (MIL-PRF-6083)
- OHA Hydraulic FLuid, Petroleum Base, Aircraft Missile and Ordnance (MIL-H-5606)

NOTE

CLP replaces RBC, PL-S, LSA and LAW.

- CLP Cleaner, Lubricant, Preservative (MIL-L-63460)
- SD-2 Solvent, Dry-Cleaning (MIL-PRF-680)
- GO Lubricating Oil, Gear, Multi-Purpose (MIL-PRF-2105)
- GGP Grease, General Purpose (MIL-G-23549)
- GMD Grease, Molybdenum Disulfide (MIL-G-21164)
- GIA Grease, Aircraft and Instrument (MIL-G-23827)
- CT Corrosion Preventive Compound (MIL-DTL-81706)
- GAA Grease, Automotive and Artillery (MIL-PRF-10924)

LUBRICANT/COMPONENT	CAPACITIES	Above +5°F (Above -15°C)	+5°F to -65°F (-15°C to -54°C)	LUBRICANT FOR EXPECTED TEMPERATURE			INTER- VALS
				Above +15°F (Above -9°C)	+40°F to -15°F (+4°C to -26°C)	+40°F to -65°F (+4°C to -54°C)	
OE/HDO (MIL-PRF-2104) Lubricating Oil, ICE, Tactical OEA (MIL-PRF-46167) Lubricating Oil, ICE, Arctic <u>Engine & Generator, 650 AMP</u> <u>Final Drive</u>	27 Qts. (25.54 LI) As Req.	OE/HDO-15 /40 (0-1236) See NOTE 3	OEA	OE/HDO-15/40 (0-1236) or OE/HDO-30 (0-238) See NOTE 3	OE/HDO-15/40 (0-1236) or OE/HDO-10 (0-237) See NOTES 1&3	OEA (0-183)	For arctic operation, refer to FM 9-207
Transmission	48 Qts. (45.6 LI) As Req.	OE/HDO-15 /40 (0-1236) See NOTE 3	OEA	OE/HDO-15/40 (0-1236) or OE/HDO-10 (0-237) See NOTES 1&3	OE/HDO-15/40 (0-1236) or OE/HDO-10 (0-237) See NOTES 1&3	OEA (0-183)	
GO (MIL-PRF-2105) Lubricating Oil, Gear, Multipurpose Traversing Mechanism	3.5 Qts. (3.31 LI) 4 Qts. (3.78 LI)			GO-80/90 (0-226) See NOTE 2	GO-80/90 (0-226) See NOTE 2	GO-75 (0-186)	
GAA (MIL-PRF-10924) Grease, Automotive and Artillery GMD (MIL-G-21164) Grease, Molybdenum Disulfide GGP (MIL-G-23549) Grease, General Purpose <u>Mount Cradle Bearing and Torque Key</u> <u>Muzzle Brake Evacuator</u>	As Req. As Req.			GMD GMD (353)	GGP GGP	GAA (G-403)	
OHT (MIL-PRF-6083) Hydraulic Fluid, Petroleum Base for Preservation and Operation <u>Hydraulic Powerpack & Equilibrator</u> <u>Gun Mount & Replenisher</u>	46 Qts. (43.51 LI) 30 Qts. (28.38 LI)			OHT	OHT	OHT	

NOTES

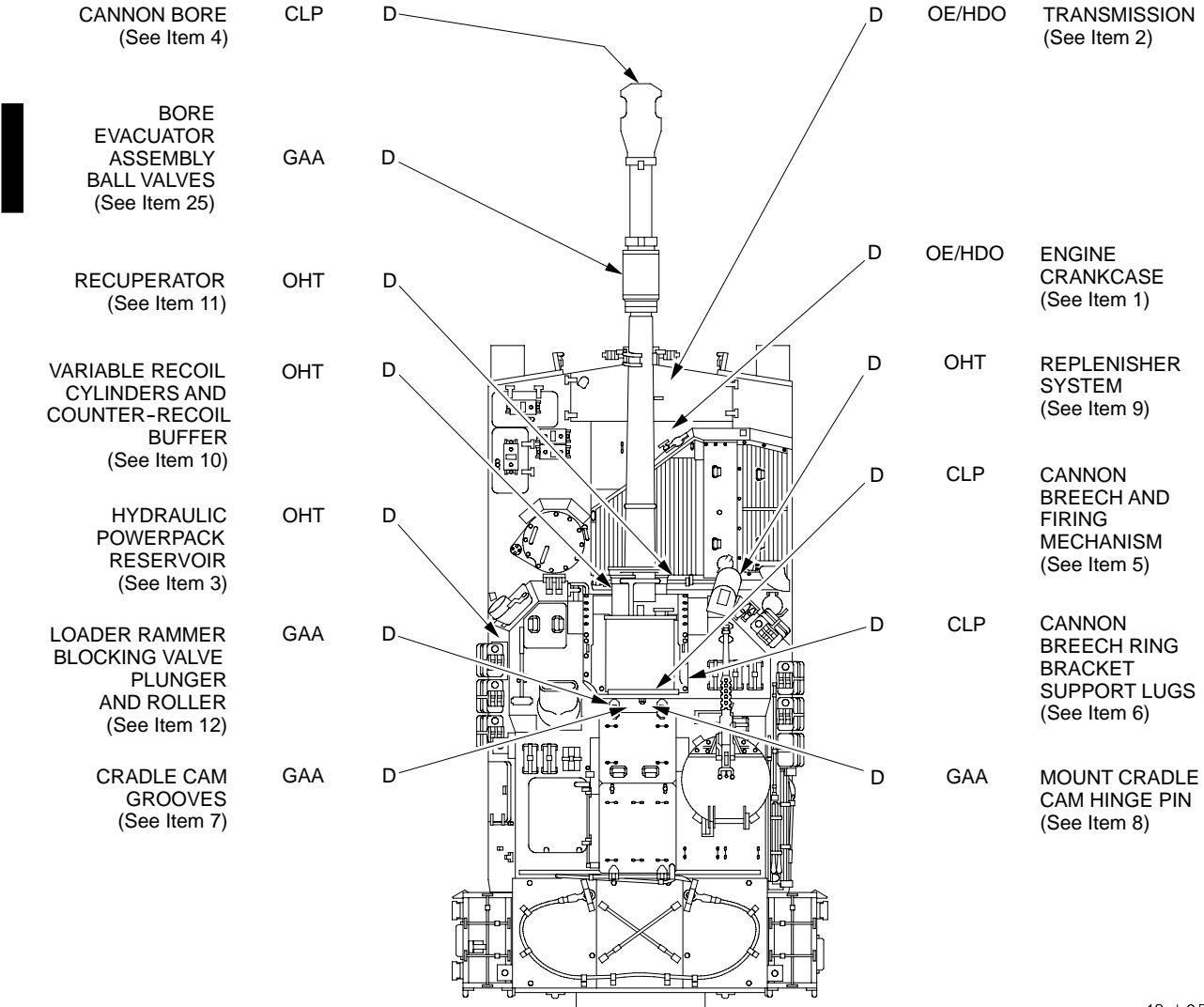
1. If OEA lubricant is required to meet the low expected-temperature range, OEA lubricant is to be used in lieu of OE/HDO-10 lubricant for all expected-temperature ranges where OE/HDO-10 is specified in the KEY.
2. Grade 85W-140 may be used when expected temperatures are above +10°F (-12°C). The NATO Code for 85/140 is 0-228.
3. Multigrade oil (15W-40) does not automatically replace single weight oils. Use 15W-40 oil to avoid seasonal oil changes if your operational conditions match the table.

DAILY

This page shows you what to lubricate Daily when you operate the vehicle or fire the weapon.

Lubricant - Interval

Interval - Lubricant



18ph055m

NOTE

Gun mount ballistic shield removed for clarity.

TOTAL MAN-HR	
INTERVAL MAN-HR	
D	3.8

CAUTION

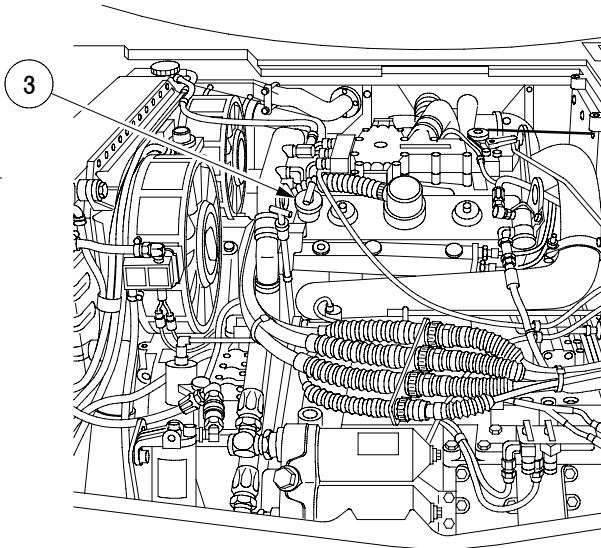
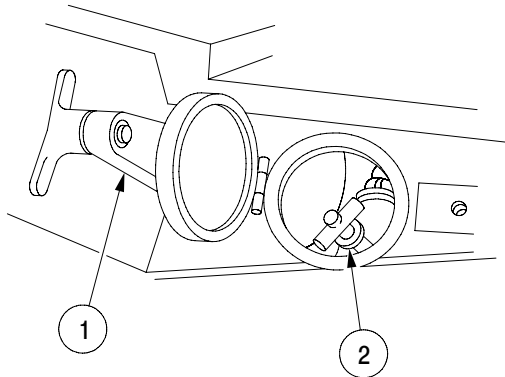
Power train assemblies (transmission and engine) must use OE-HDO-10W (MIL-PRF-2104) while under warranty.

1. ENGINE CRANKCASE

Before starting engine, open oil level access cover (1) and check oil for level between Add and Full marks on gage rod (2). Add oil as required to bring level between Add and Full marks on gage rod (2). Crankcase oil filler cap (3) is located in engine compartment.

NOTE

After an overnight stand, oil level may be 3/4-1 inch above the FULL mark on the dipstick. This is normal. However, if oil level is more than 1 inch above the FULL mark, check for internal coolant or fuel oil leaks.

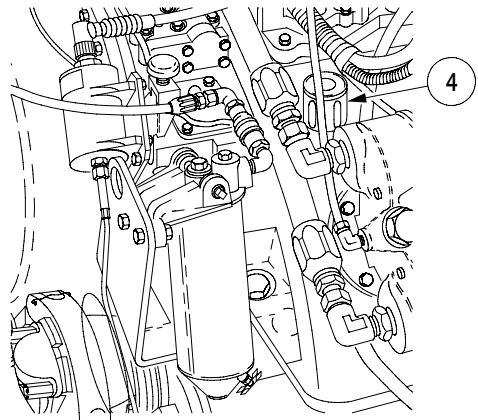


NOTE
Travel Lock Assembly and Grill Removed for clarity

2. TRANSMISSION

Check oil level daily after shutting engine down. The oil level must be within the OPERATING RANGE stamped on the gage rod and filler cap (4). Add or drain oil as required.

NOTE
VMS
Removed for clarity



01ph006mc

3. HYDRAULIC POWERPACK RESERVOIR

NOTE

A zero pressure check must be performed prior to this step.

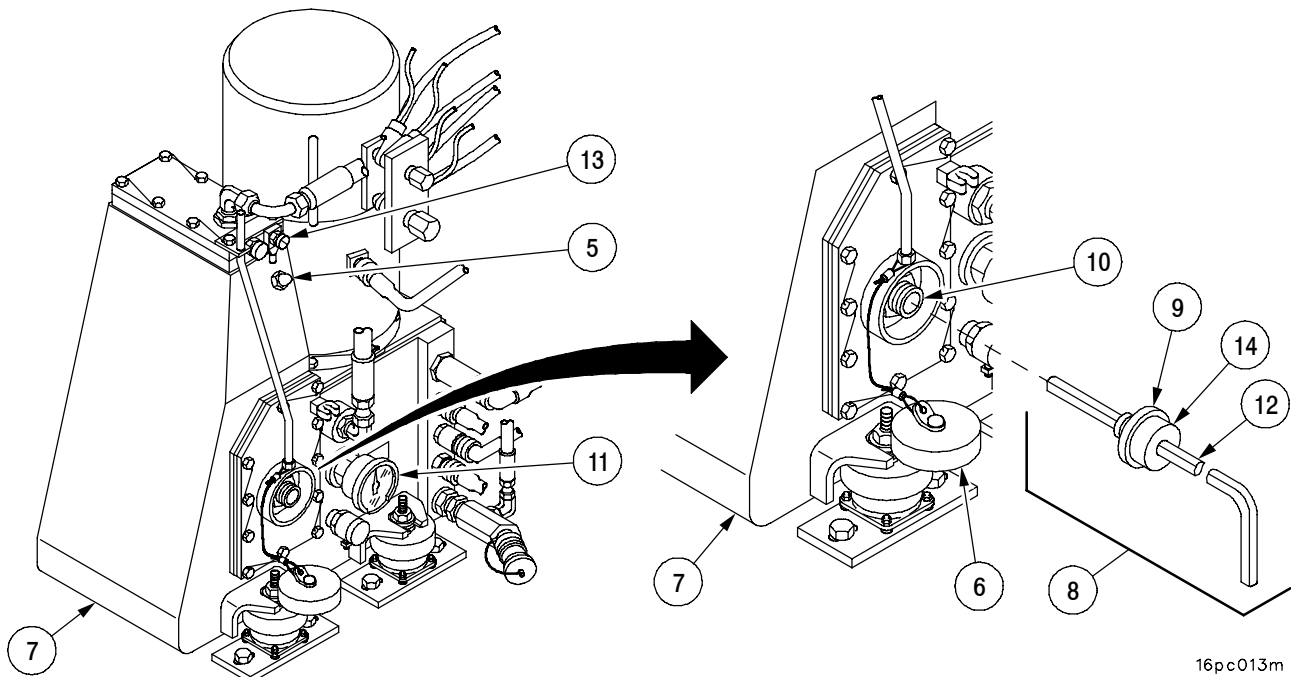
Before operation, check for air in system by observing sight plug (5). If there appears to be air in the system, the hydraulic powerpack needs to be bled.

- a. Remove dust cap (6) from hydraulic powerpack reservoir (7).
- b. Thread rod assembly (8) dipstick retainer (9) into bellows boss (10).
- c. Read temperature indicated on thermometer (11) of the hydraulic powerpack reservoir (7).
- d. Insert dipstick (12) to the graduation that corresponds to the temperature on the thermometer (11) of the hydraulic powerpack reservoir (7). If the dipstick bottoms out before reaching the thermometer temperature $+10^{\circ}\text{F}$ (-12°C), there is too much hydraulic fluid in the system. Perform step f. to bleed the hydraulic powerpack reservoir. If the dipstick does not bottom out after reaching the thermometer temperature -10°F (-23°C), the system is low and requires hydraulic fluid to be added (para 3-8.11).

NOTE

A 3/16 ID tube may be attached to the bleed valve nozzle to collect excess fluid.

- e. Position a container to collect excess hydraulic fluid.
- f. Open bleed valve (13).
- g. Push dipstick (12) in the remaining distance to the graduation that corresponds to the temperature on the thermometer (11).
- h. Lock the dipstick (12) in position with dipstick locking collar (14).
- i. Close the bleed valve (13).
- j. Fill the hydraulic powerpack reservoir with hydraulic fluid (para 3-8.11).

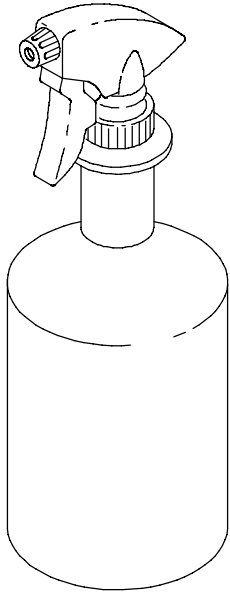


16pc013m

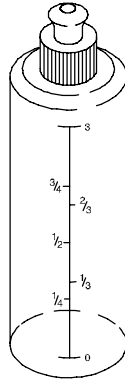
TM 9-2350-314-10

4. CANNON BORE

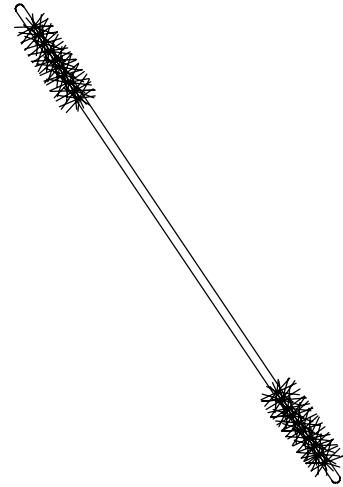
Cleaning Bore Using Artillery Cleaning Kit



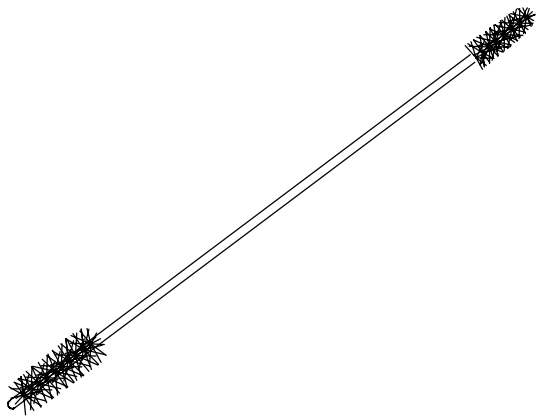
1 LITER SPRAY-TOP BOTTLE



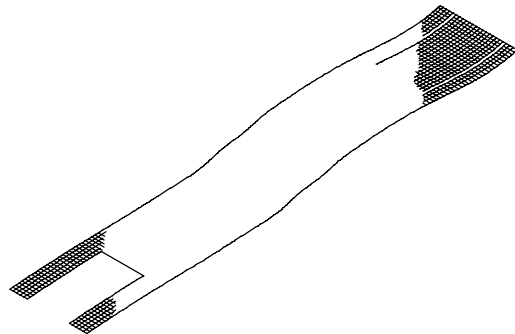
3.5 FL OZ CLP BOTTLE



BORE EVACUATOR BRUSH



PRIMER VENT-SEAT BRUSH



CLEANING SLEEVE

02pc143m

Clean and preserve your cannon as follows:

(1) DAY OF FIRING

- (a) You need the following items:
1 each premeasured bottle of CLP.
1 each nylon bristle brush assembly.
- (b) Attach bore—brush assembly to rammer staff.
- (c) Inspect breech and tube and clear obstructions.
- (d) Wet punch the tube as follows:

NOTE

Shake bottle well before each use.

Pour 1/4 of the bottle onto brush and punch the tube once forward and once back.

Pour second 1/4 of the bottle onto brush and scrub back and forth the entire length of the tube.

Repeat above step with third 1/4 of the bottle.

Pour final 1/4 of the bottle onto brush. Wet the entire length of the tube once forward and once back.

(2) DAY AFTER FIRING

- (a) You need the following items:
2 each premeasured bottles of CLP.
3 each disposable cleaning sleeves.
1 each nylon bristle bore—brush assembly.
- (b) Attach bore—brush assembly to rammer staff.
- (c) Wet Punch. Wet punch the tube following the procedures for DAY OF FIRING above.
- (d) Dry Punch. Wrap the brush with a new disposable cleaning sleeve and dry punch the entire length of the tube once forward and back. Remove and dispose of the sleeve.
- (e) Wet Punch. Wrap the brush with a new disposable cleaning sleeve. Pour on half a premeasured bottle. Wet punch the entire length of the tube once forward and once back. Remove and dispose of sleeve.
Repeat above step with last half of bottle.

NOTE

If the tube has not been previously cleaned with CLP and there is a heavy buildup of coppering or carbon deposits, or severe heat cracking, it may be necessary to repeat cleaning per instructions until the tube has been thoroughly cleaned with CLP. For nonfiring periods, cannon is cleaned and lubricated weekly.

BREECH AND BORE EVACUATOR

Clean, lubricate and preserve the breech and bore evacuator as follows:

DAY OF FIRING You will need the following items from the kit:

- 1 each liter bottle CLP with trigger sprayer
- 1 each bore evacuator brush
- 1 each primer vent brush
- Rags from general supply

Shake the liter bottle well before each use. See this appendix and maintenance sections of this TM for component disassembly/assembly.

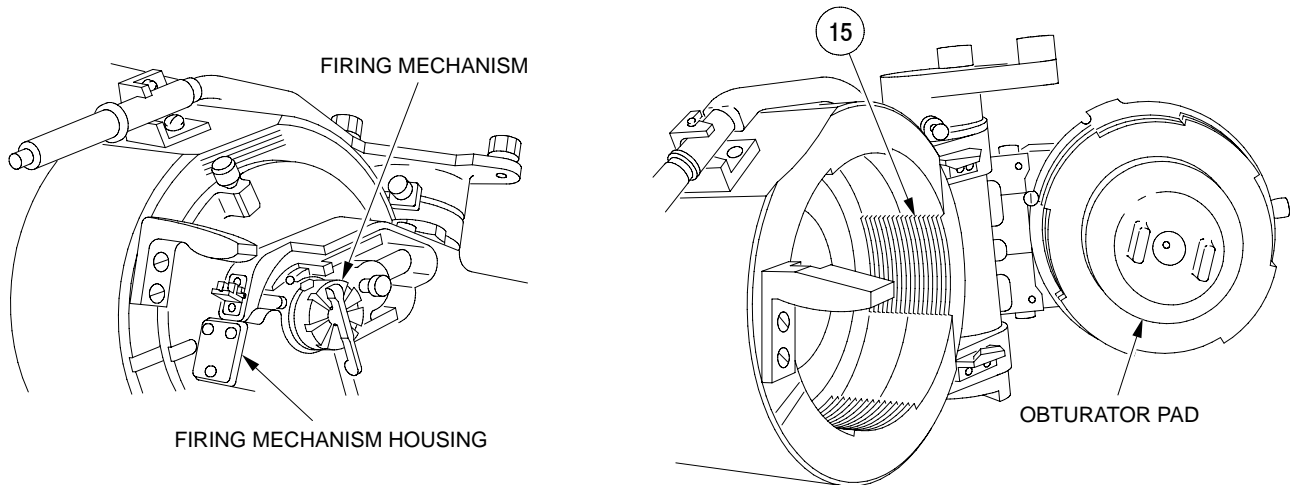
- (a) Thoroughly wet all breech components with CLP. Let soak for 10–15 minutes and then wipe off. Reapply a light coat of CLP.
- (b) Spray CLP from the liter bottle onto all exposed metal surfaces.
- (c) Disassemble bore evacuator following the disassembly instructions. (See item 25, page I–21).
- (d) Thoroughly wet the evacuator balls, vent seats, and three metering orifices with CLP. Clean vents and orifices using the bore evacuator brush.
- (e) Apply CLP to primer vent and thoroughly brush with primer vent brush.
- (f) Thoroughly wet firing lock with CLP and wipe off all carbon and firing residue. Reapply a light coat of CLP.

5. CANNON BREECH AND FIRING MECHANISM

CAUTION

Do not clean obturator pad with CLP. Use soap and water only.

Immediately after firing, remove M49 firing mechanism and obturator spindle group (para 3-8.9). Using CLP, thoroughly clean all surfaces including breech threads (15). Lubricate the sliding area of firing mechanism with CLP. For nonfiring periods, cannon breech and firing mechanism are cleaned and lubricated weekly.

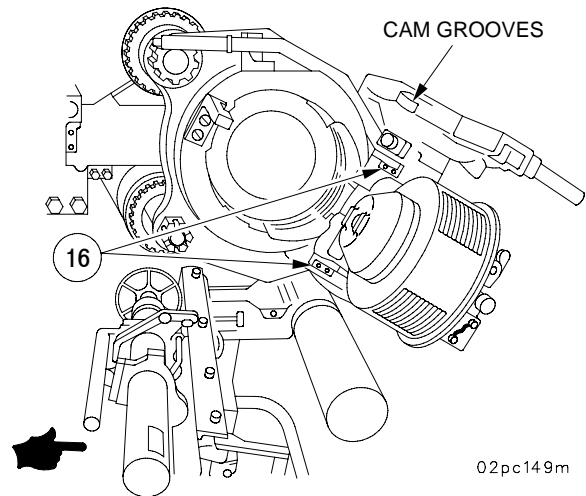


6. CANNON BREECH RING BRACKET SUPPORT LUGS

Lubricate both lugs (16) with CLP during periods when cannon is being fired. Lugs are cleaned along with tube.

7. CRADLE CAM GROOVES

Lubricate with GAA during periods when cannon is being fired.

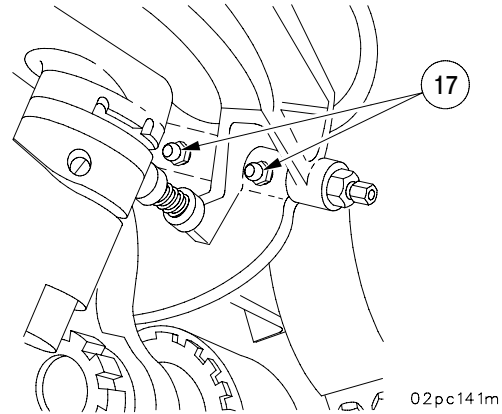


02pc149m

TM 9-2350-314-10

8. MOUNT CRADLE CAM HINGE PIN

Lubricate two fittings (17) with GAA between periods when cannon is being fired.



9. REPLENISHER SYSTEM

CAUTION

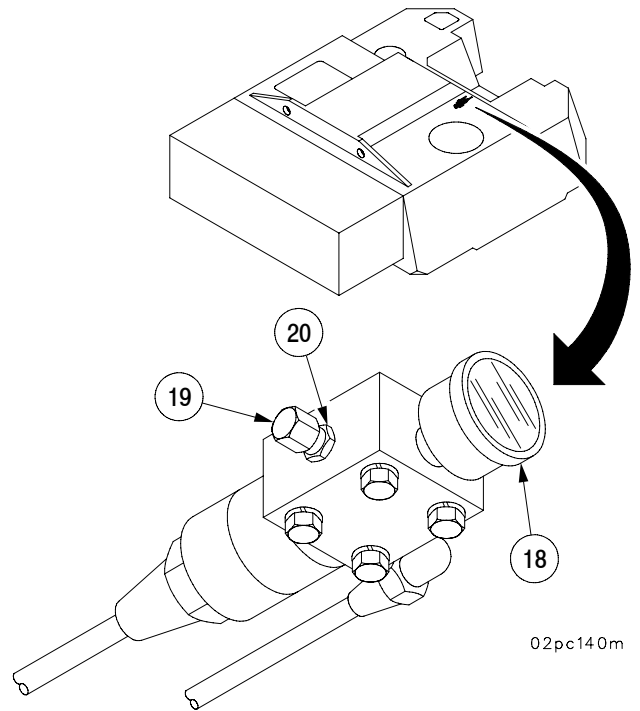
Do not bleed system pressure by loosening hydraulic fittings. Loosening fittings to bleed pressure will cause damage to adapter seal and fitting.

NOTE

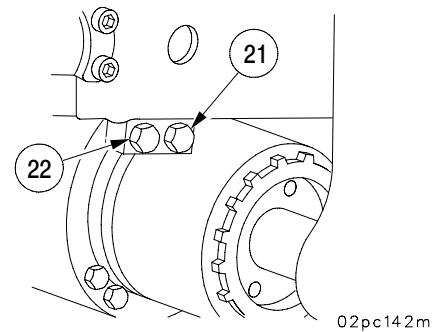
Pressure may increase during normal firing due to heat expansion. Safe-to-fire range is 17-50 psi.

Check replenisher system pressure at replenisher gage manifold (18) on cab ceiling. Pressure should be between 17 and 24 psi at 70 degrees. If reading is low, replenish system with OHT hydraulic fluid as follows:

Place tube at zero elevation. Remove cap (19). Fill replenisher using M3 pump at valve (20) until gage (18) reads between 17 and 24 psi. If pressure is above 24 psi, bleed pressure by loosening bleed port plugs (21 and 22). Install cap (19).



At 7 psi and below, on inside gage, go to bottle for filling. Between 8 to 16 psi fill at gage manifold.



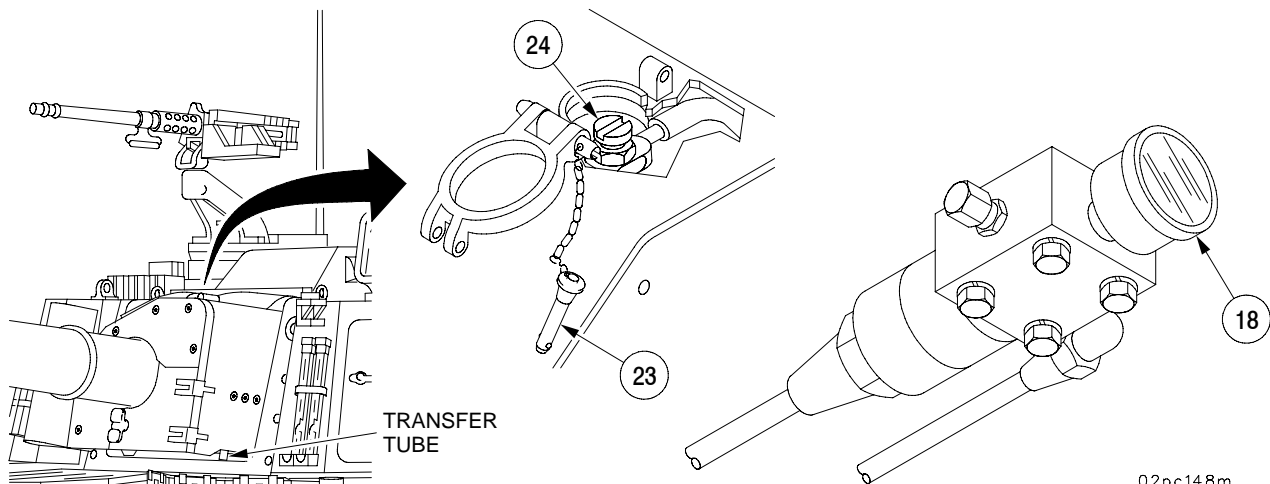
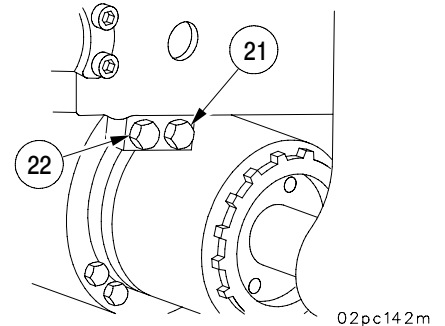
10. VARIABLE RECOIL CYLINDERS AND COUNTER-RECOIL BUFFER

CAUTION

- Proper bleeding of air from recoil mechanism is required before firing weapon to prevent damage to breech components of cannon assembly.
- Do not bleed system pressure by loosening hydraulic fittings. Loosening fittings to bleed pressure will cause damage to adapter seal and fitting.

To bleed recoil system:

- a. Depress weapon to -50 mils. Loosen right-hand bleed plug (21) to bleed air from rear of buffer. When air-free fluid flows, tighten plug.
- b. Elevate weapon to +50 mils. Loosen left-hand bleed plug (22) to bleed air from front of buffer. When air-free fluid flows, tighten plug.
- c. Elevate weapon to 180 mils. Place container under transfer tube below ballistic shield. Remove quick-release pin (23) and open cover.
- d. Open bleeder valve (24) (located on upper recoil cylinder). When air-free fluid can be seen through translucent transfer tube, close valve (24).
- e. Recheck gage (18), must be between 17-24 psi. If low, add more fluid (OHT). If high, drain. Loosen either bleed plug (21 or 22) to drain.
- f. Rebleed system several times and check for fluid leaks.



11. RECUPERATOR

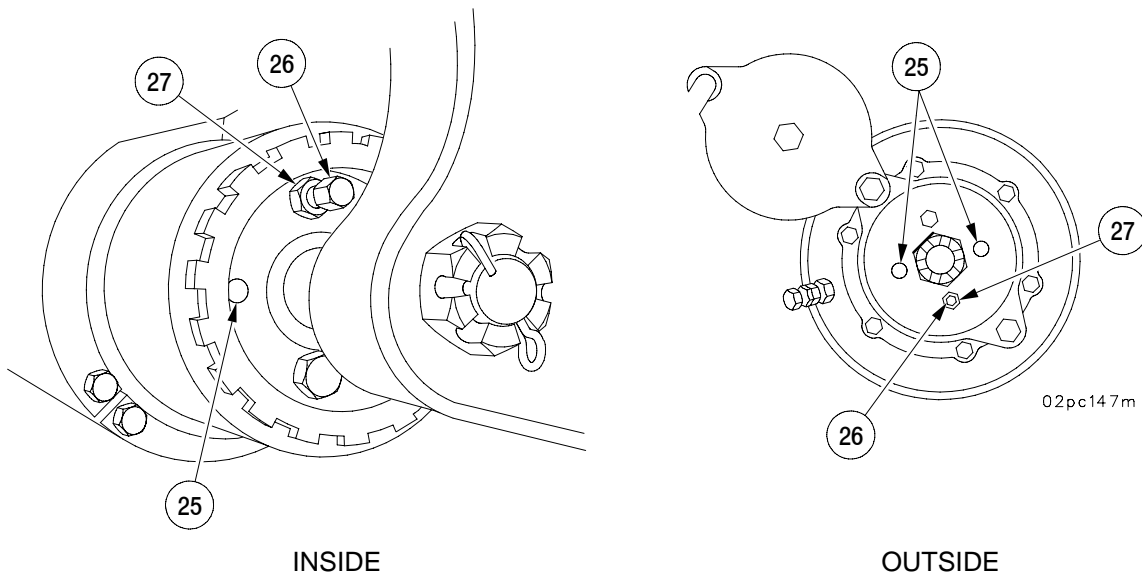
CAUTION

- Check oil gun to be sure it contains hydraulic fluid and not grease.
- Do not overfill.

NOTE

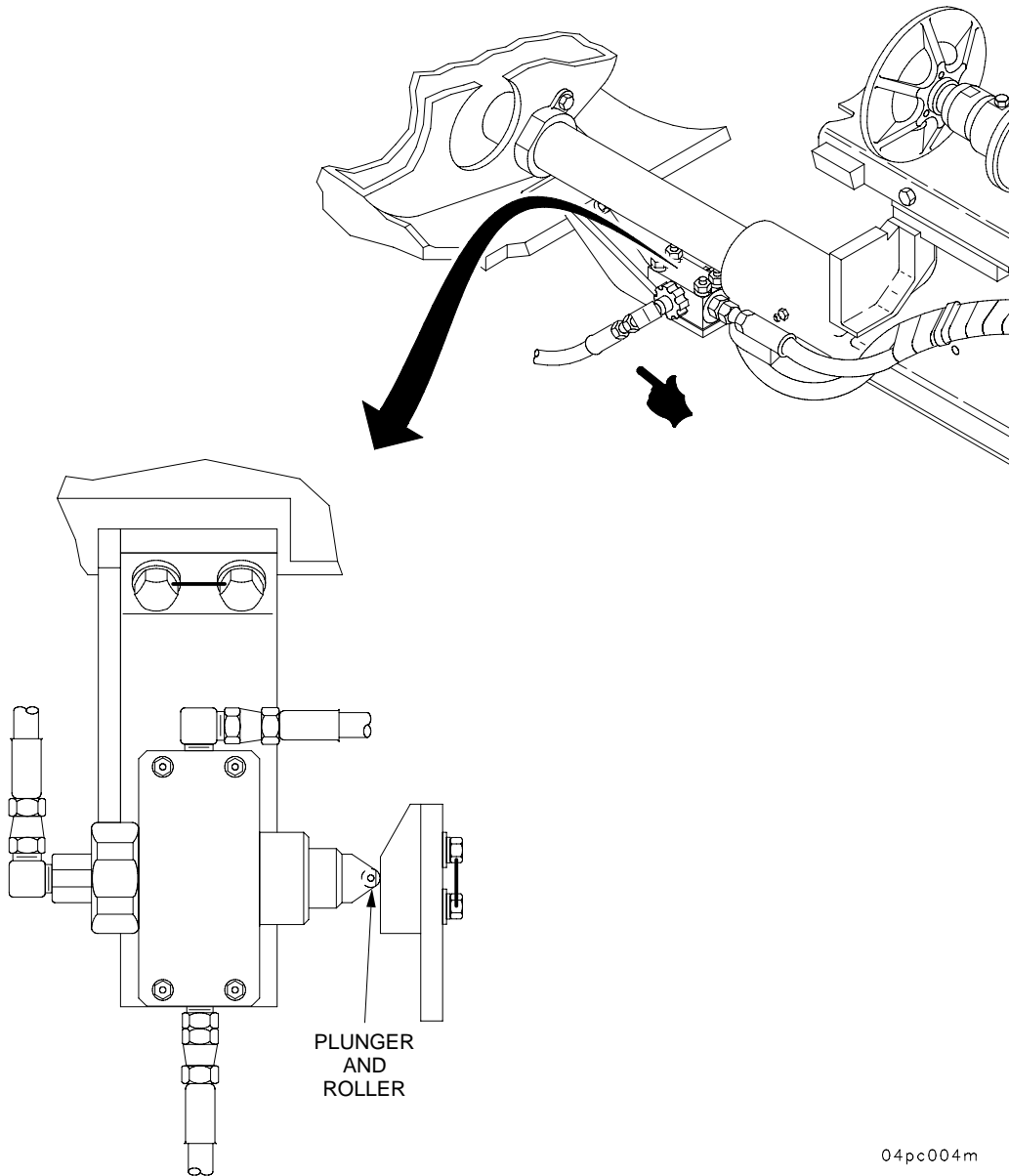
- During firing, seepage of hydraulic fluid from recuperator is normal.
- To service recuperator, open access cover by loosening T-bolt and rotating access cover open.
- The recuperator can be filled using M3 oil gun or attaching recuperator/replenisher hose assembly to the hand pump assembly.

Before firing and after firing 100 rounds, sustained fire, check pins (25). Pins must not extend over 3/4 inch (19.05 mm). (Normal range for pins is 1/4 inch to 3/4 inch (6.35 to 19.05 mm)). If pins extend beyond 3/4 inch (19.05 mm), remove cap (26) from valve (27) and add hydraulic fluid (OHT) until pins extend 1/4 inch (6.35 mm).



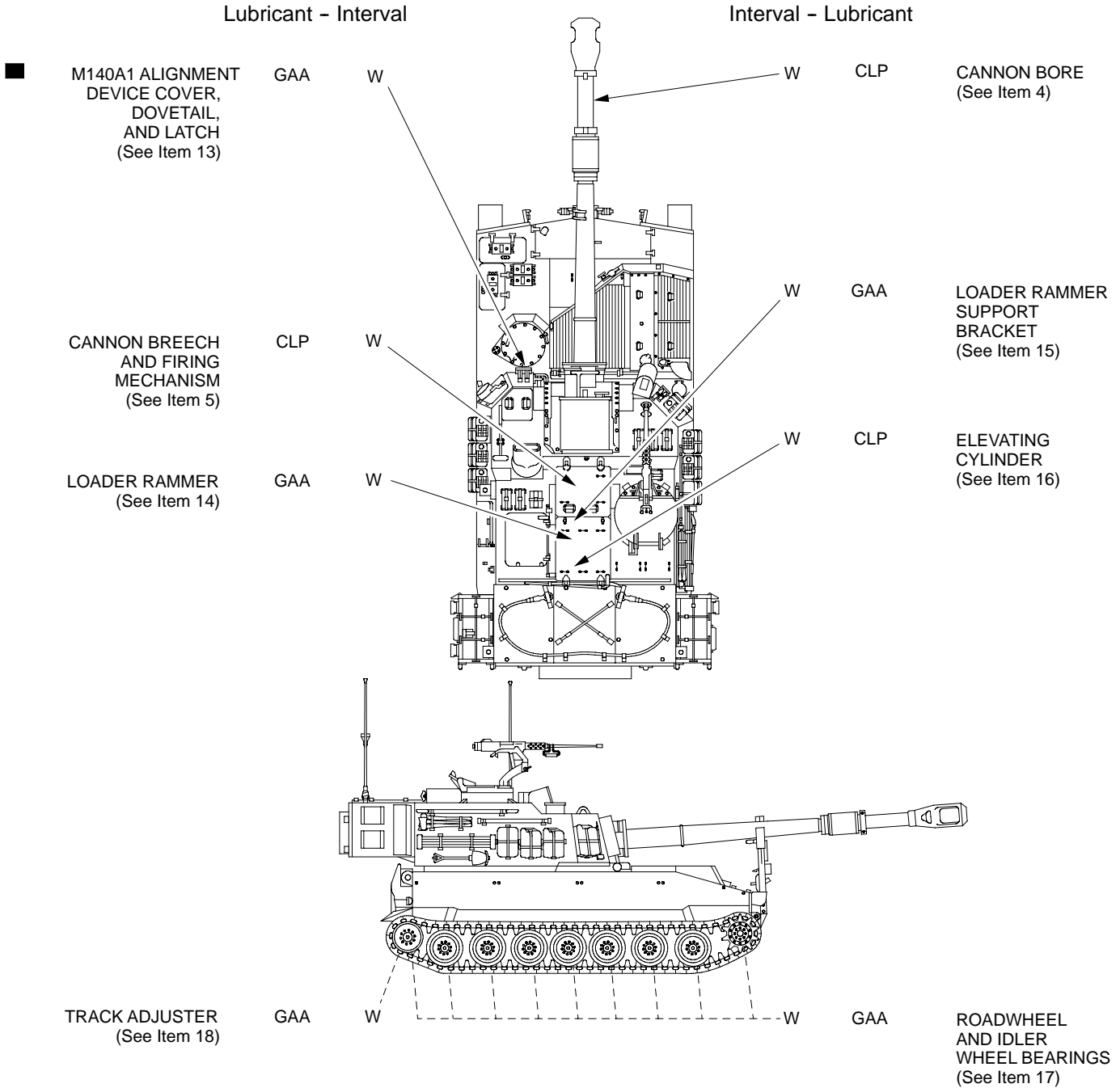
12. LOADER RAMMER BLOCKING VALVE PLUNGER AND ROLLER

Coat lightly with GAA during operation. Do not paint.



WEEKLY

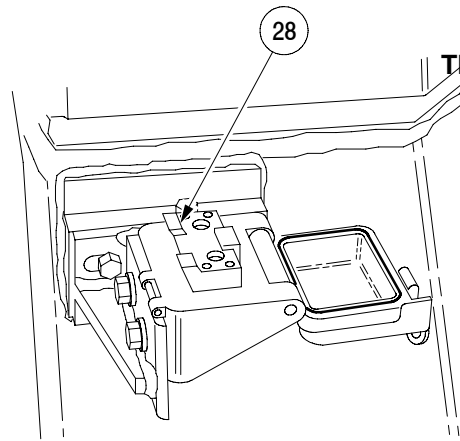
This page shows you what to lubricate Weekly when you operate the vehicle or fire the weapon



18ph056m

13. M140/M140A1 ALIGNMENT DEVICE COVER, DOVETAIL, AND LATCH

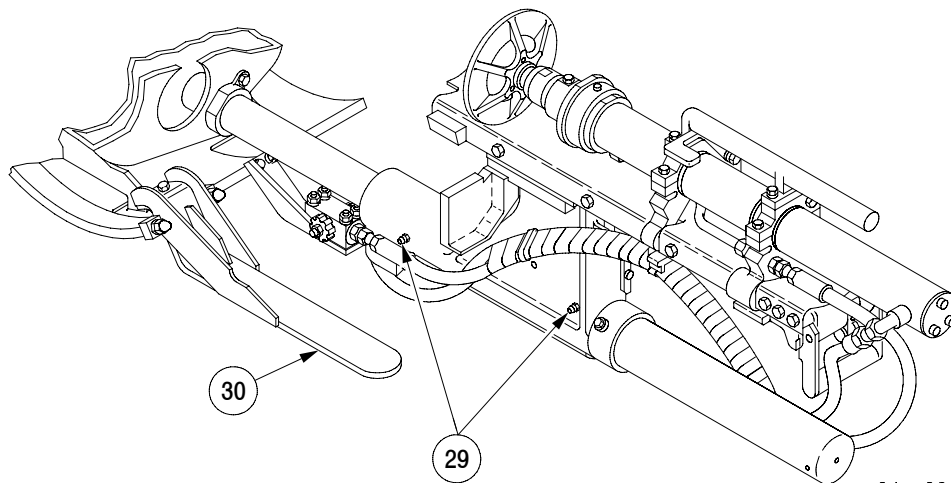
Grease dovetail (28) with GAA.



05pc035m

14. LOADER RAMMER

Lube two fittings (29) with GAA.



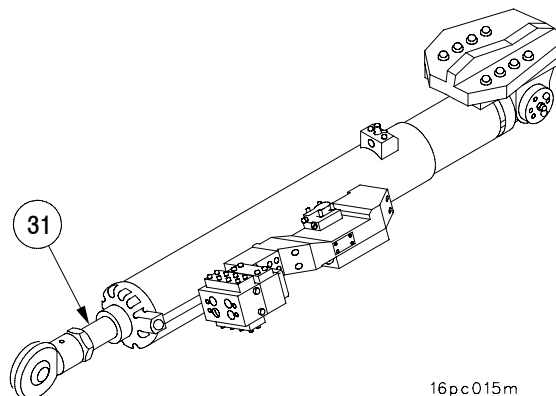
04pc006m

15. LOADER RAMMER SUPPORT BRACKET

Coat support bracket (30) lightly with GAA before operation. Do not paint.

16. ELEVATING CYLINDER

Clean exposed piston rod surfaces (31) and coat with CLP.



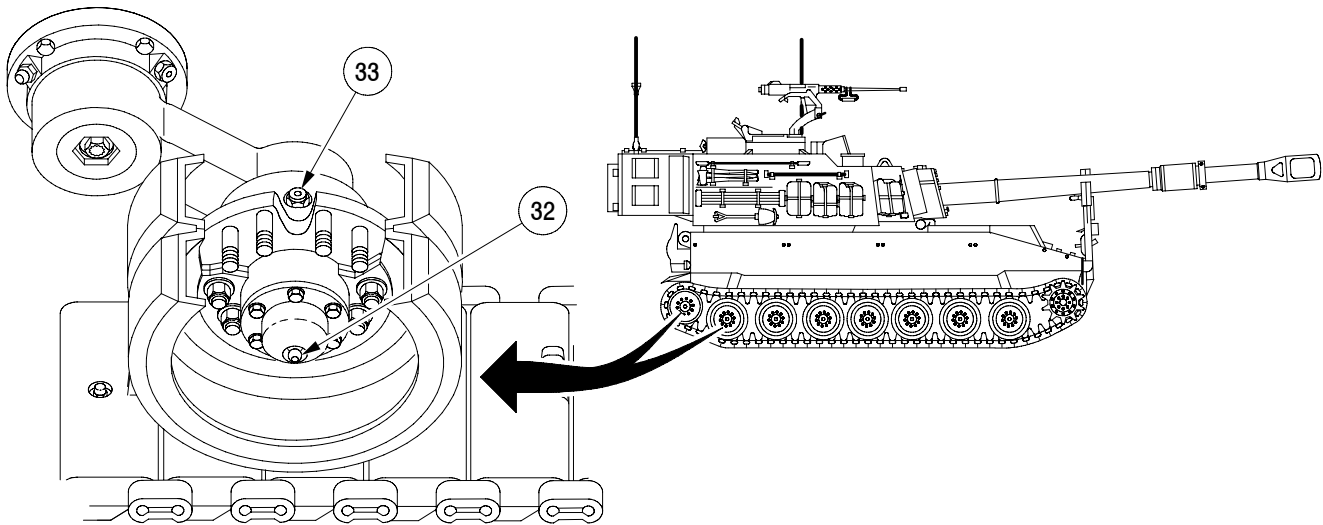
16pc015m

17. ROADWHEEL AND IDLER WHEEL BEARINGS

CAUTION

If grease seeps from hubs and/or housings before it flows from pressure relief valve, notify unit maintenance.

Lube fitting (32) with GAA grease until grease, without air, flows from pressure relief valve (33).



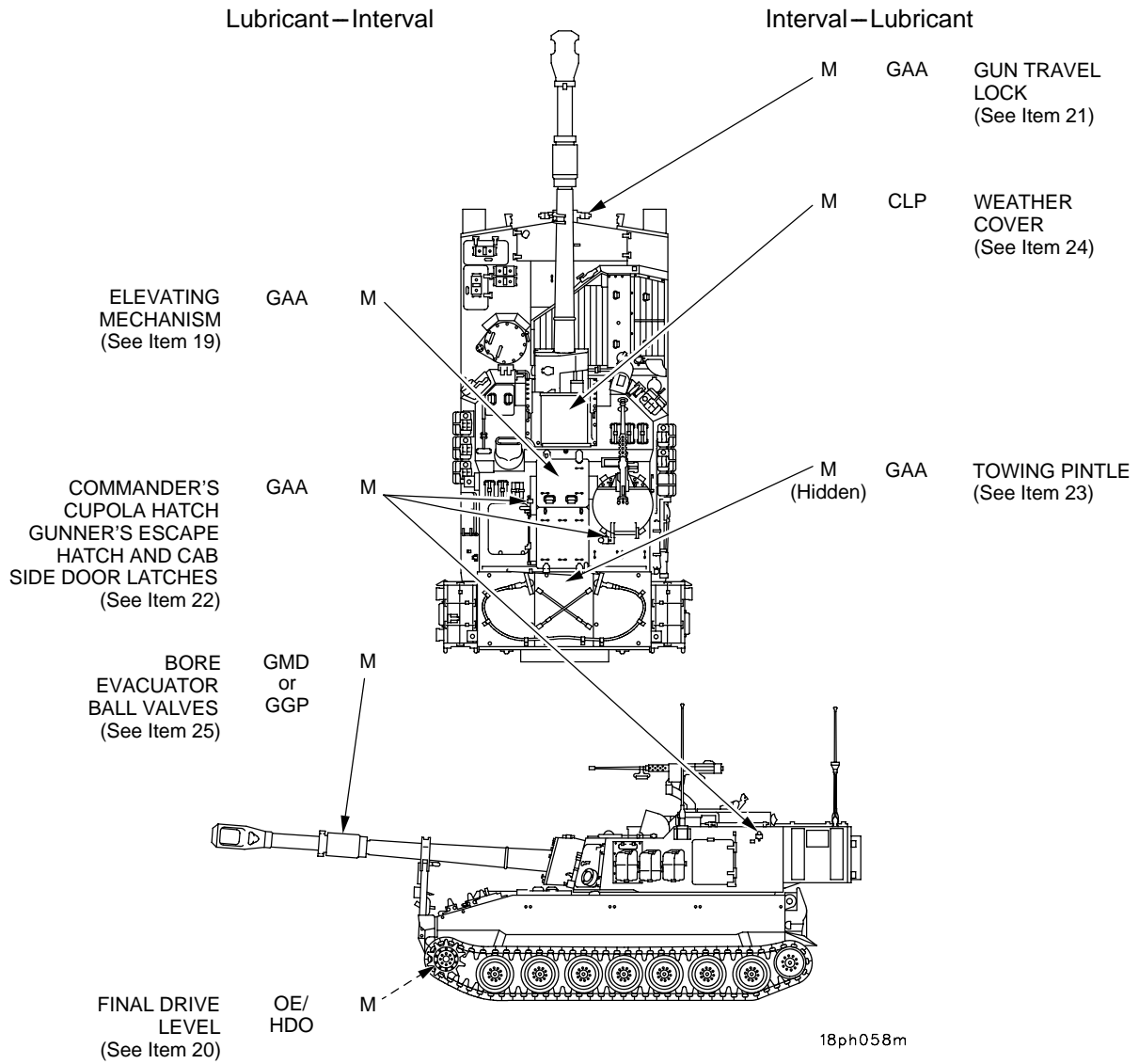
13ph012m

18. TRACK ADJUSTER

Detailed procedures for using GAA to adjust track tension are contained in para 3-7.5.

MONTHLY

This page shows you what to lubricate Monthly when you operate the vehicle or fire the weapon.



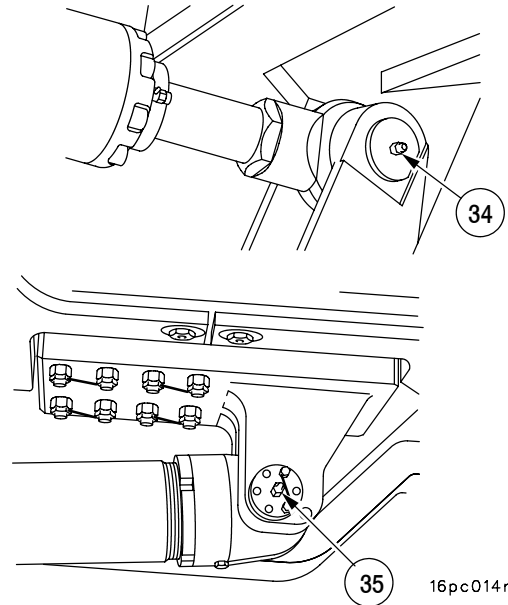
TOTAL MAN-HR	
INTERVAL MAN-HR	
M	2.1

19. ELEVATING MECHANISM

NOTES

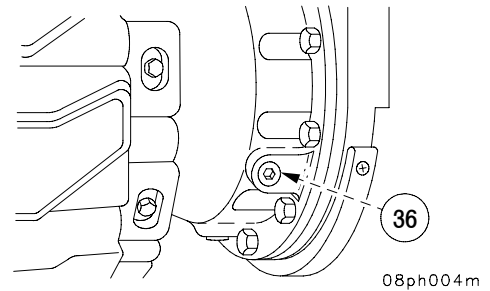
- Elevation mechanism must be at maximum elevation to lube front fitting (34).
- If elevation mechanism is equipped with self-lubricating pins, it does not require servicing.

Lube two fittings (34) and (35) with GAA.



20. FINAL DRIVE LEVEL

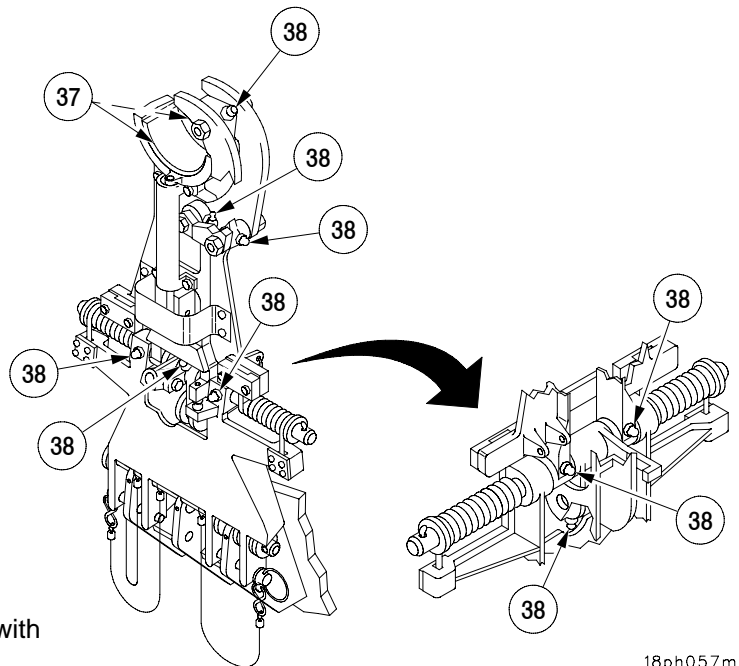
Remove level check plug (36). Oil should be level with bottom of opening. If not, add OE/HDO until oil flows from level plug opening. Clean and reinstall plug (36).



21. GUN TRAVEL LOCK

NOTE

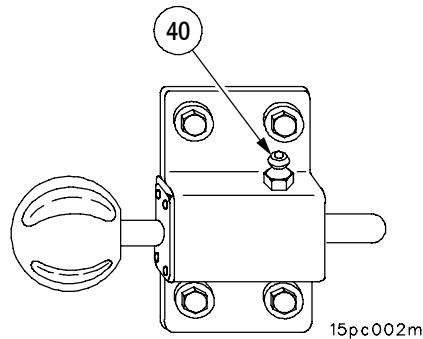
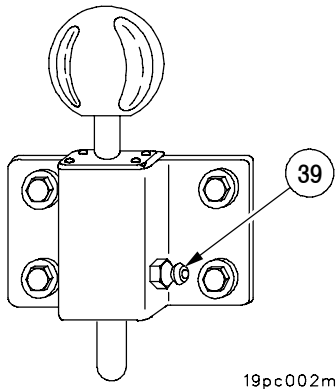
If grease is accidentally applied to travel lock cradle (37), it must be thoroughly removed.



Lubricate nine fittings (38) on travel lock assembly with GAA.

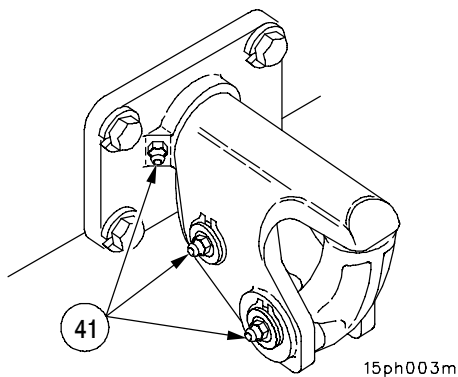
22. COMMANDER'S CUPOLA HATCH, GUNNER'S ESCAPE HATCH, AND CAB SIDE DOOR LATCHES

Lubricate cab side door latch fittings (39) and gunner's escape hatch latch fittings (40) with GAA.



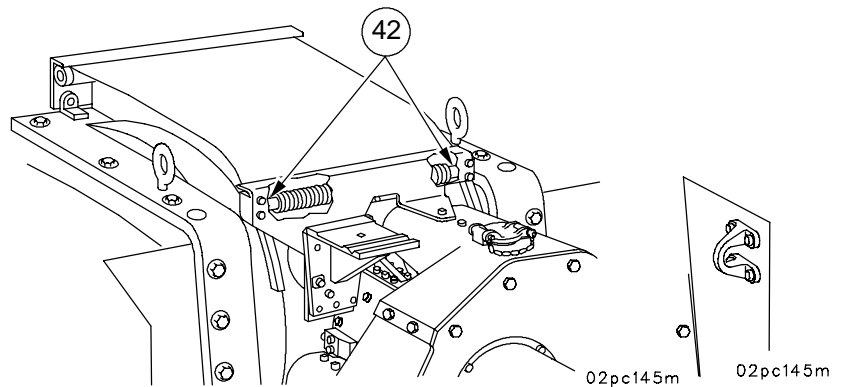
23. TOWING PINTLE

Lube three fittings (41) with GAA.



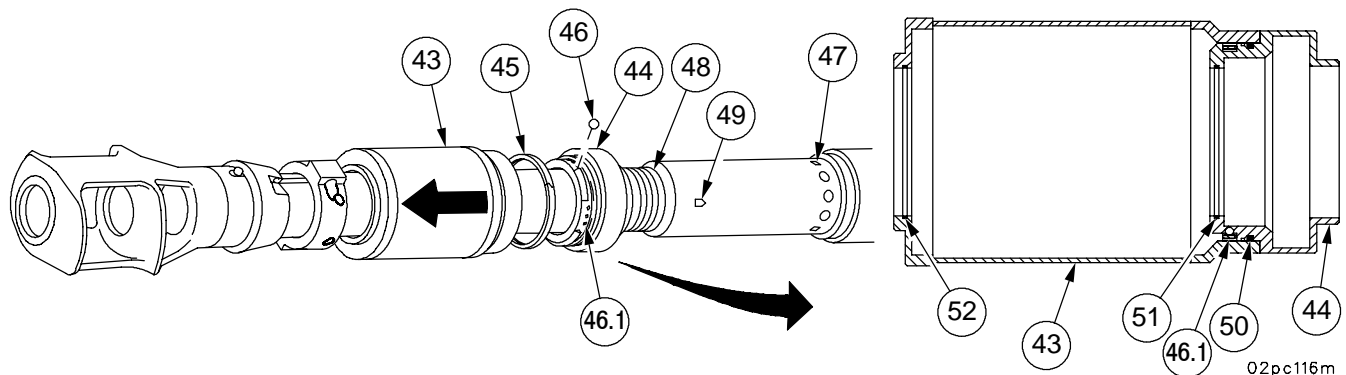
24. WEATHER COVER

Lube springs and pin (42) with CLP.



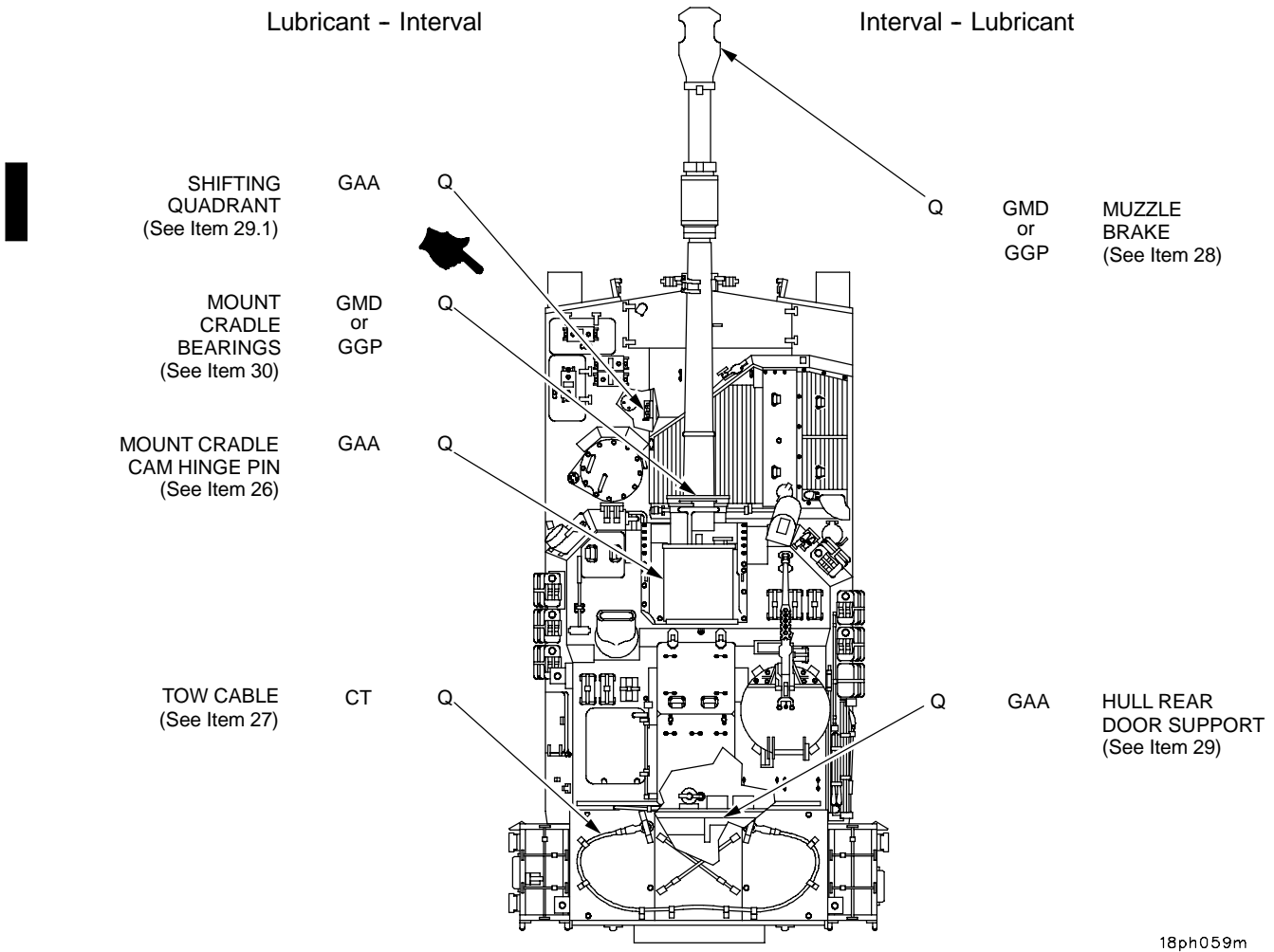
25. BORE EVACUATOR ASSEMBLY BALL VALVES

After firing, separate main reservoir (43) and move prereservoir (44) forward toward muzzle. Refer to para 3-8.8. Slide valve ring (45) forward and remove nine evacuator ball valves (46). The balls should fall out. Thoroughly clean evacuator ball valves (46), nine prereservoir orifices (46.1), 10 evacuator orifices (47) and tube threads (48) with CLP, using brush (11686340). Clean three metering holes (49) with CLP, using brush (8432358). Apply light coat of GMD or GGP to balls, ring, and unpainted tube surfaces before assembling. Inspect O-rings (preformed packings) (50 and 51), on inner and outer grooves of prereservoir (44) and (52) on inside groove main reservoir (43) for damage or missing. Inspect for gas wash and soot past O-rings. If any of these conditions exist, notify unit maintenance for replacement of O-rings. Remove any accumulation of soot from inside main reservoir. For nonfiring periods, bore evacuator and evacuator balls are cleaned and lubricated monthly.



QUARTERLY

This page shows you what to lubricate each Quarter when you operate the vehicle or fire the weapon.

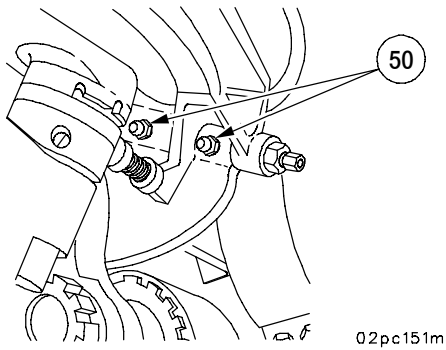


18ph059m

NOTE

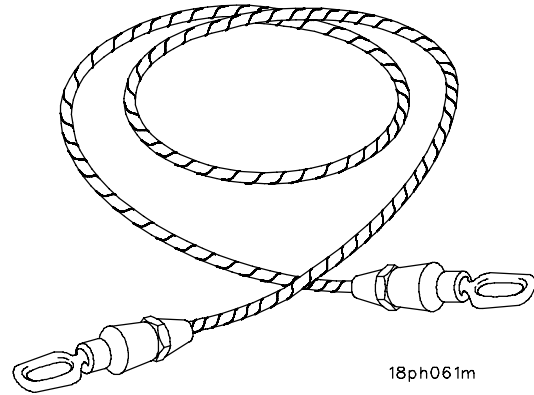
Gun mount ballistic shield removed for clarity.

TOTAL MAN-HR	
INTERVAL MAN-HR	
Q	3.1



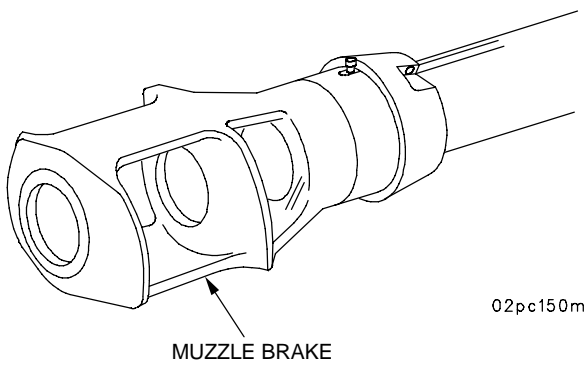
26. MOUNT CRADLE CAM HINGE PIN

Lube two fittings (50) with GAA. This is a Daily lube if you are firing.



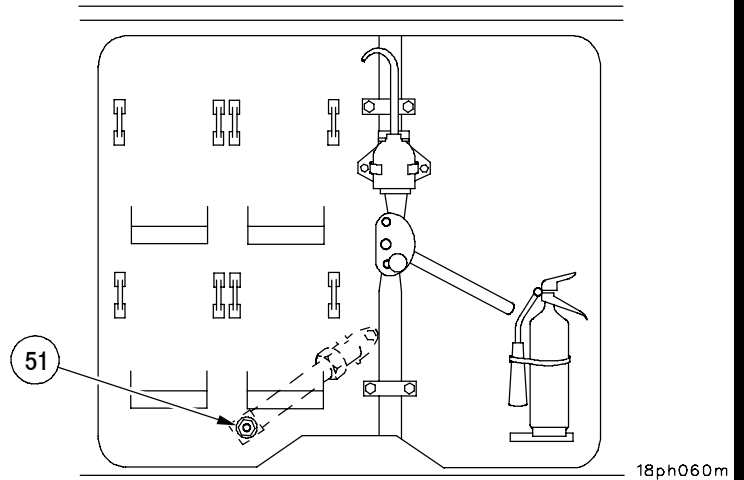
27. TOW CABLE

Clean tow cable with MIL-PRF-680 and coat with CT.



28. MUZZLE BRAKE

Quarterly, or every 300 rounds fired, remove, clean threads, and coat with GMD or GGP before installing.

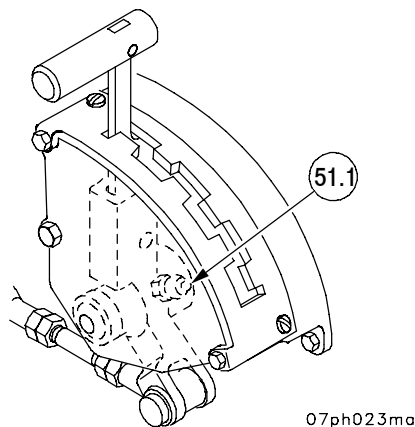


29. HULL REAR DOOR SUPPORT

Lube fitting (51) with GAA.

29.1 SHIFTING QUADRANT

Lube fitting (51.1) with GAA.



30. MOUNT CRADLE BEARINGS

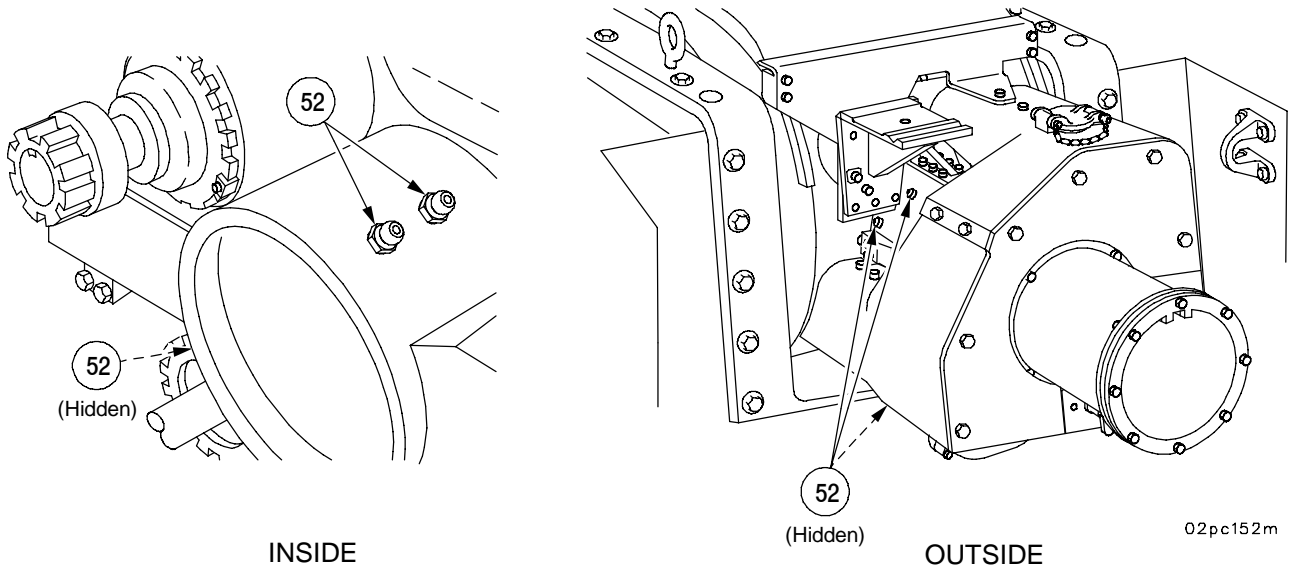
CAUTION

For sustained operation at 0°F temperature or below, change grease to GAA. When changing grease remove cannon. Notify direct support maintenance for removal of cannon. Wipe grease from recess between cradle bearings and repack with GMD or GAA. Do not mix greases.

NOTE

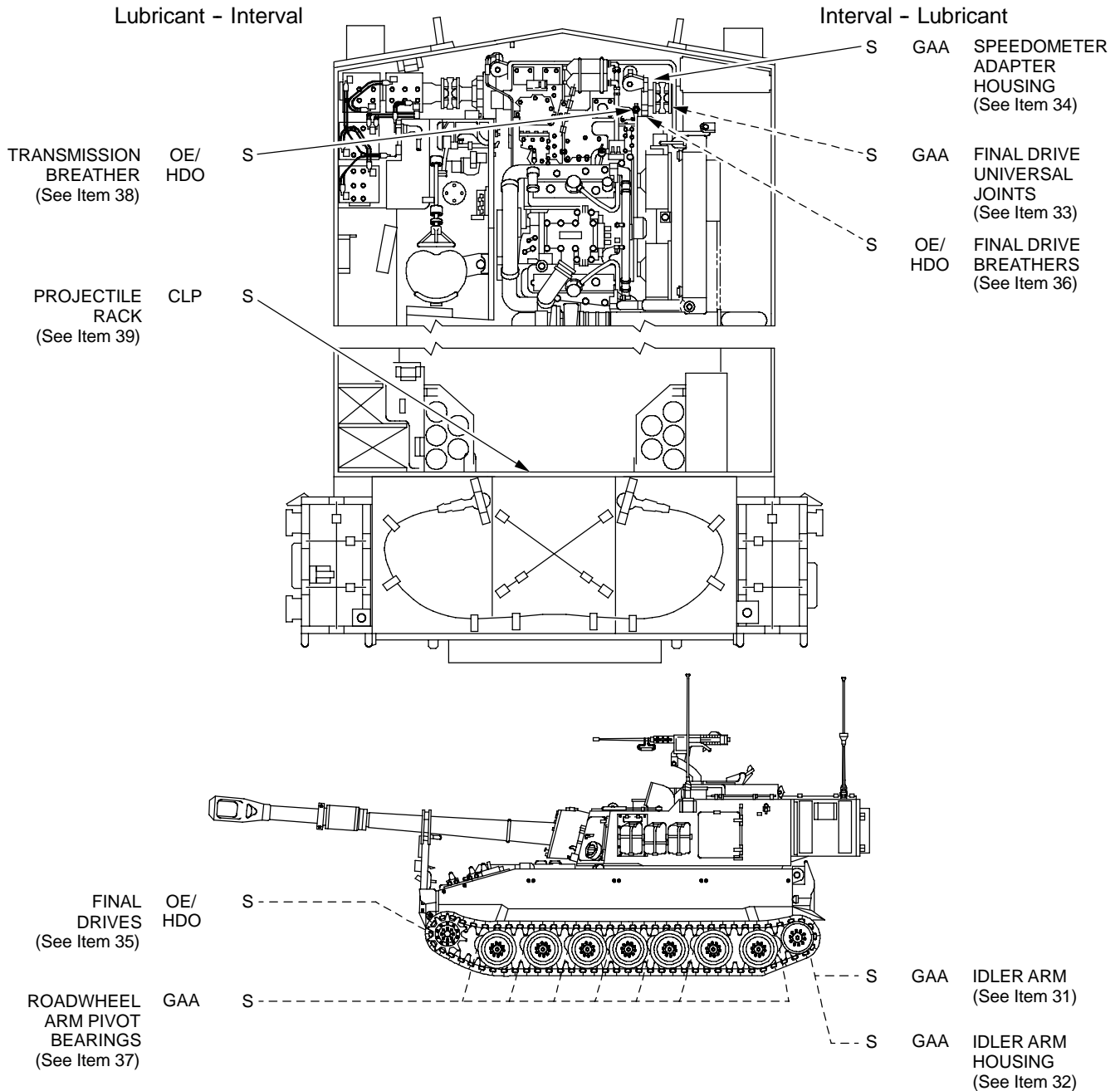
For clarity, inside of mount is shown out of howitzer. Right side fittings (shown) are on top; left side fittings are on bottom. Fittings on inside are located approximately 90° apart.

Every 500 rounds fired, lube cradle bearing fittings (52) (four inside and six outside) with GGP or GMD.



SEMI-ANNUALLY

This page shows you what to lubricate Semi-Annually when you operate this vehicle. Coordinate any required seasonal changes with these services.



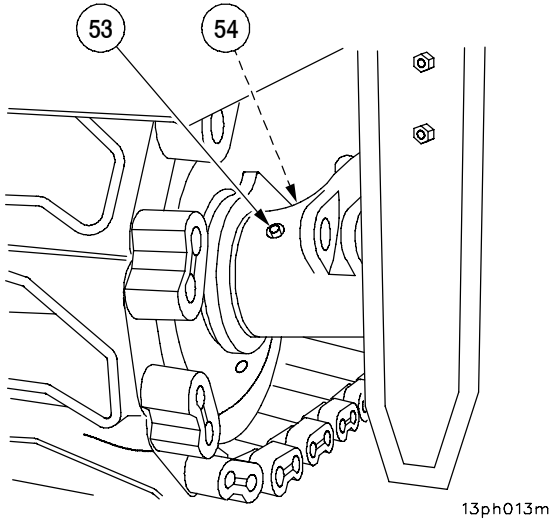
18ph067m

TOTAL MAN-HR	
INTERVAL MAN-HR	
S	6.0

TM 9-2350-314-10

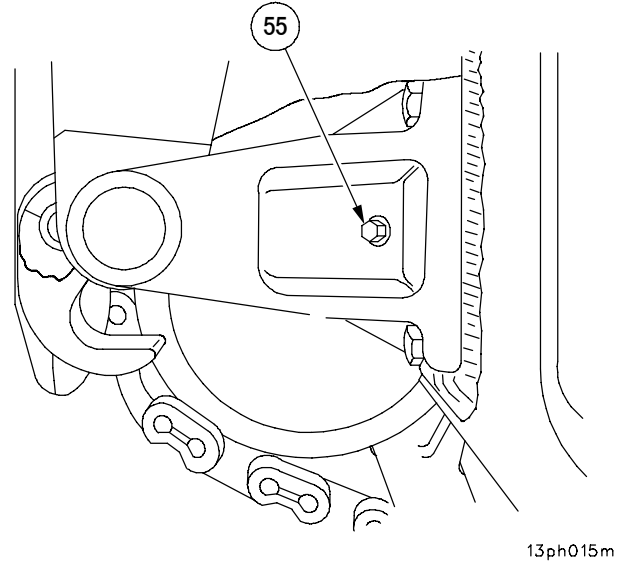
31. IDLER ARM

Lube fittings (53) with GAA using hand grease gun until grease, without air, flows from pressure relief valve (54).



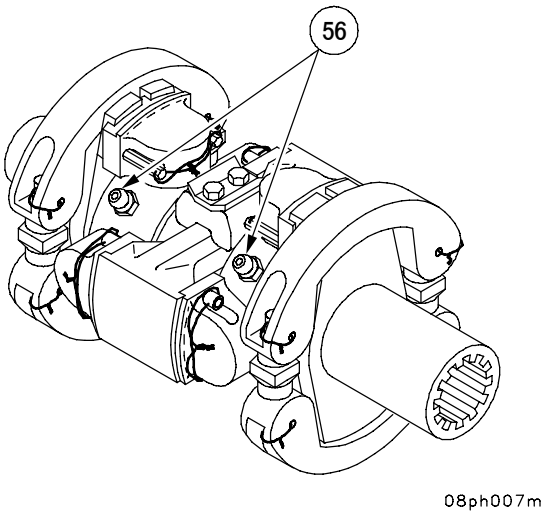
32. IDLER ARM HOUSING

Remove pipe plug (55) and install grease fitting (4730-00-050-4208). Lube with GAA using hand grease gun. Remove fitting and reinstall plug.



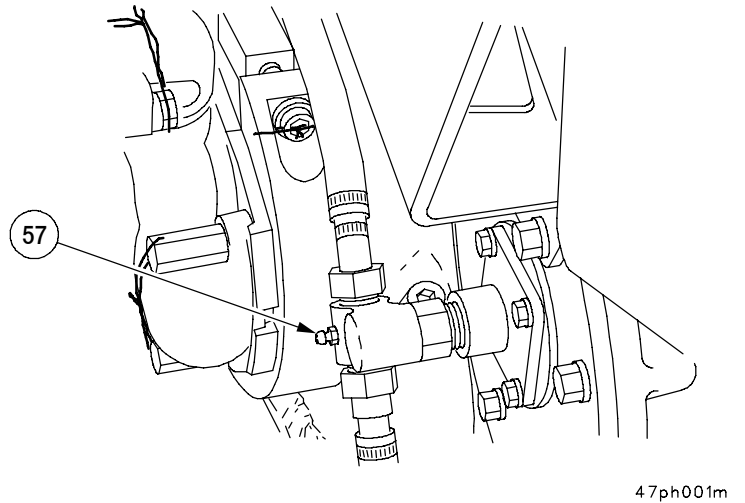
33. FINAL DRIVE UNIVERSAL JOINTS

Lube two fittings (56) each side with GAA. Rotate universal joints to reach fittings.



34. SPEEDOMETER ADAPTER HOUSING

Lubricate fitting (57) sparingly with GAA.

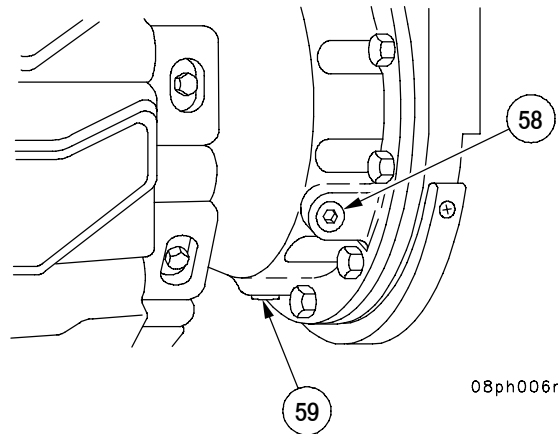


35. FINAL DRIVES

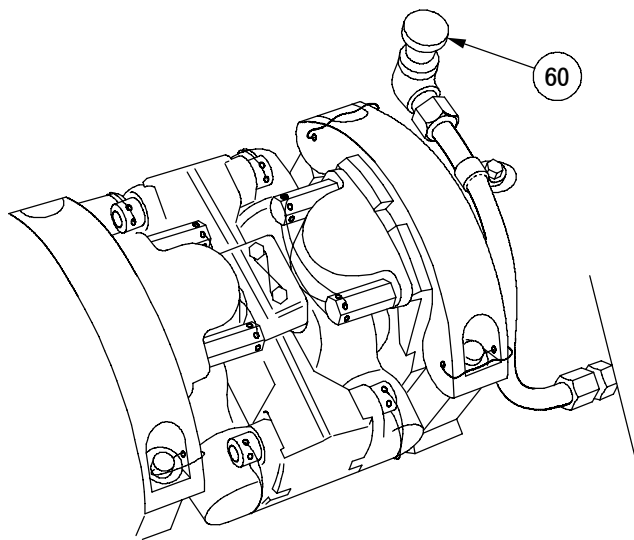
NOTE

Notify unit maintenance if you find pieces of metal stuck to magnetic drain plug.

Drain final drives (only after operation). Coordinate any required seasonal change of oil weight with this service. Remove both level (58) and drain (59) plugs. Clean and install drain plug (59) and add OE/HDO at level plug (58) until oil flows from level plug opening. Clean and install level plug (58).



08ph006m



36 FINAL DRIVE BREATHERS

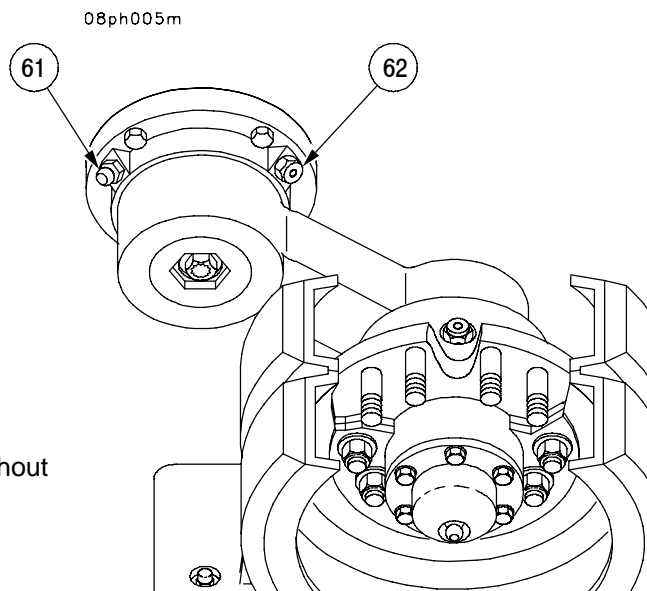
Remove breathers (60) at each coupling. Clean with MIL-PRF-680. Allow to dry. Dip in OE/HDO, and reinstall.

37. ROADWHEEL ARM PIVOT BEARINGS

CAUTION

If grease seeps from hubs and/or housings, before it flows from pressure relief valve, notify unit maintenance.

Lube fitting (61) with GAA grease until grease, without air, flows from pressure relief valve (62).



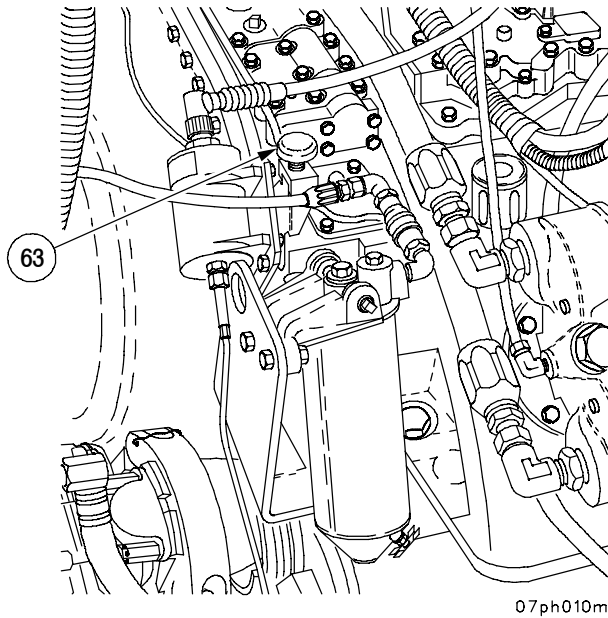
08ph005m

13ph014m

TM 9-2350-314-10

38. TRANSMISSION BREATHER

Remove breather (63). Clean with MIL-PRF-680. Allow to dry. Dip in OE/HDO, and reinstall.

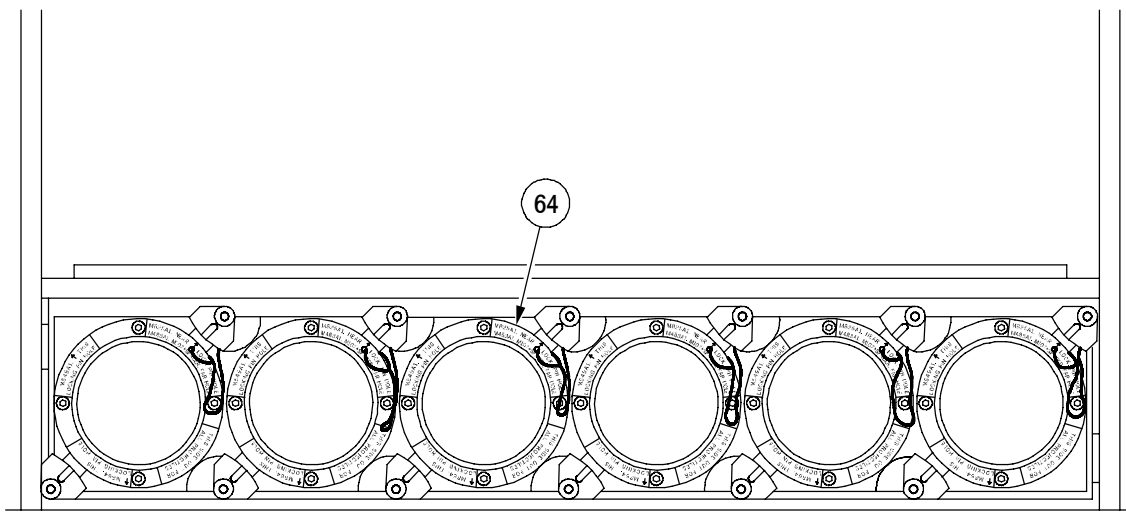


39. PROJECTILE RACK

NOTE

Wipe excess CLP from rubber bushings.

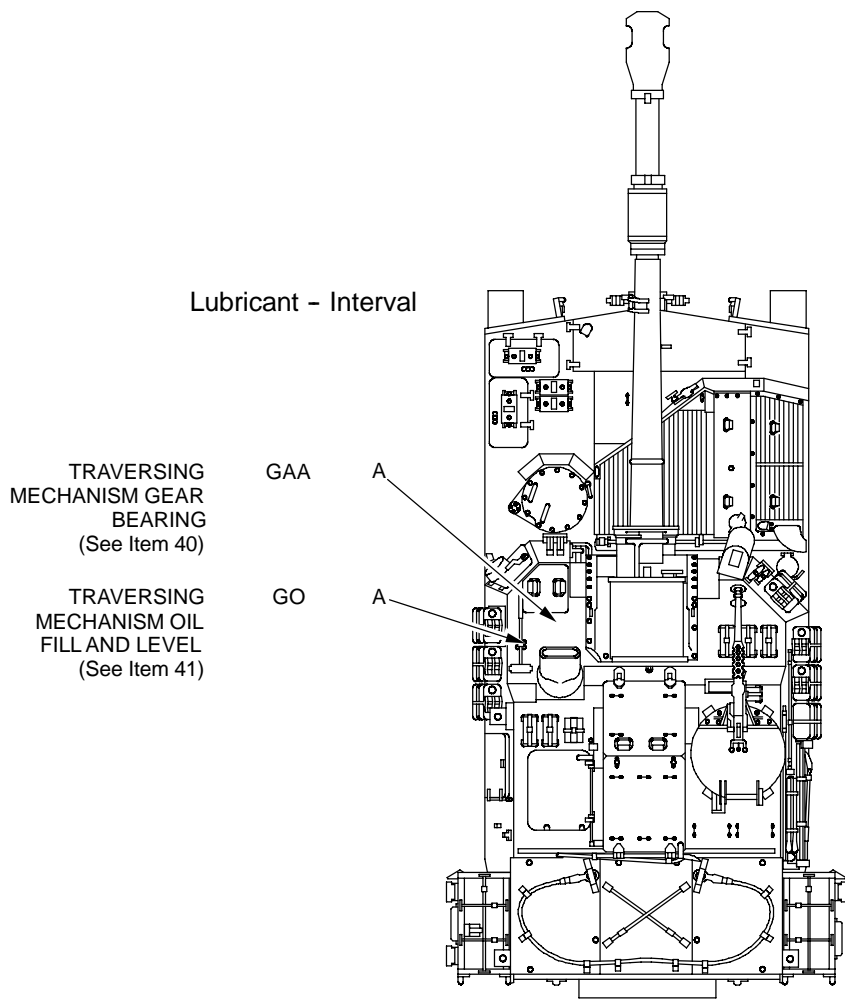
Lube locking caps and spacers (64) on projectile rack. Apply CLP at the contacting surfaces of the caps and spacers.



13pc008m

ANNUALLY

This page shows you what to lubricate Annually.



18ph062m

TOTAL MAN-HR	
INTERVAL MAN-HR	
A	13.9

TM 9-2350-314-10

40. TRAVERSING MECHANISM GEAR BEARING

Lube fitting (65) with GAA. Wipe clean.

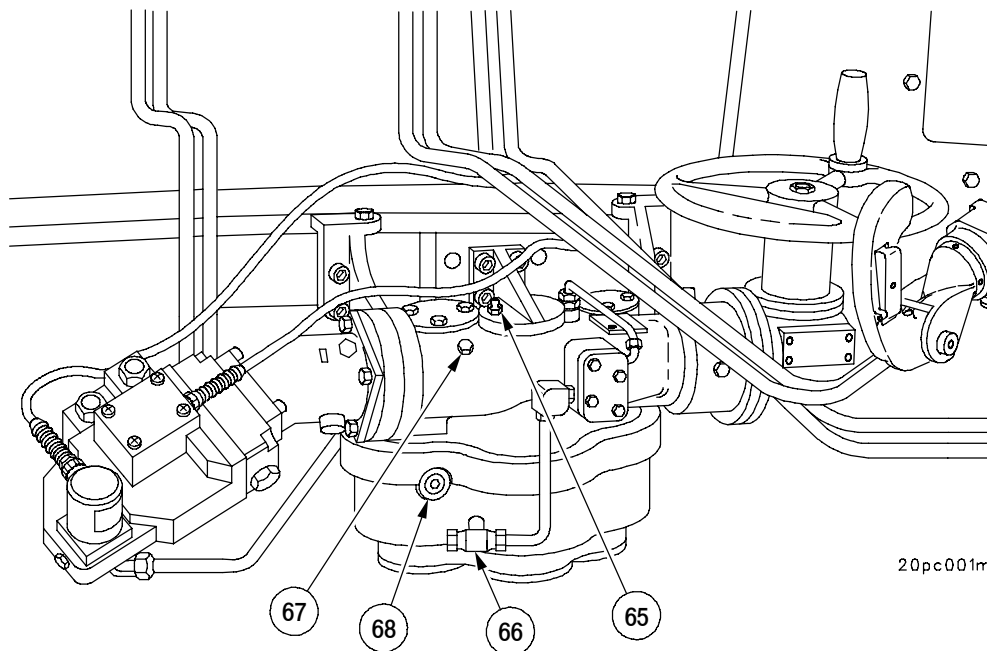
NOTE

Place bucket under mechanism to catch oil.

41. TRAVERSING MECHANISM OIL FILL AND LEVEL

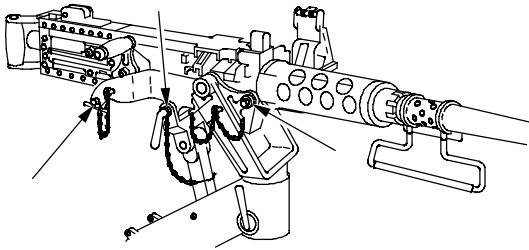
Remove single line from large tee (66). Remove tee, clean inside of tee and screen with MIL-PRF-680. Allow to dry. Reinstall tee.

Remove plug at fill port (67) and level plug (68). Oil should be level with bottom of opening (68). If not, fill with GO lubricant through port (67).

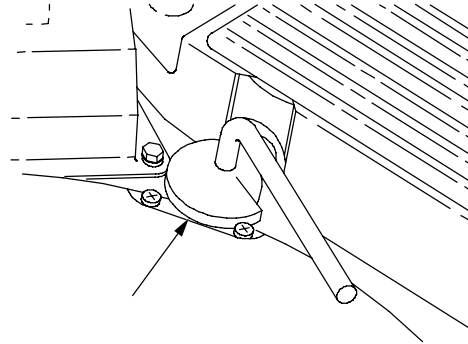


OIL CAN POINTS

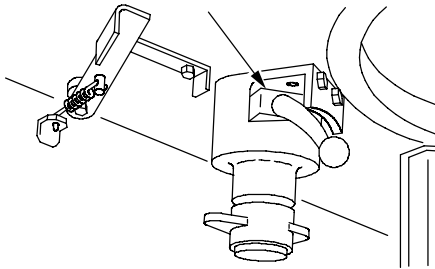
LUBRICATE QUARTERLY WITH SEASONAL GRADE OIL, OE/HDO, CLP, or OEA. Clean lubrication points and wipe off excess lubricant.



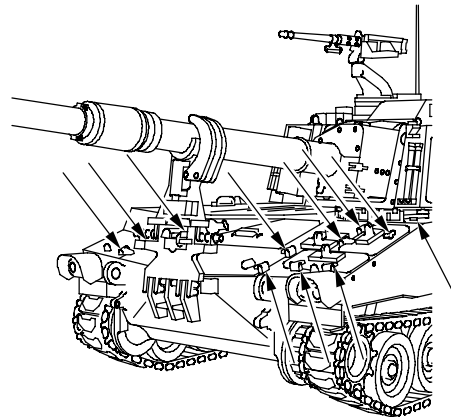
MACHINE GUN CRADLE LOCKING PINS



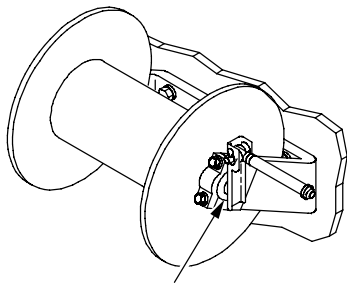
DRIVER'S HATCH COVER LOCK



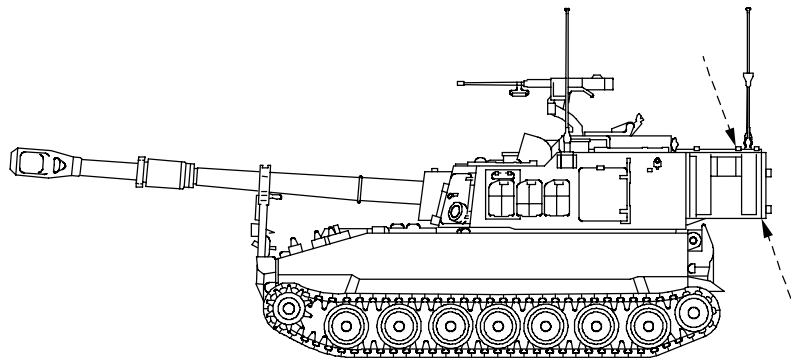
DRIVER'S HATCH COVER OPERATING LEVER



HINGES AND LATCHES FOR GRILLES, DOOR AND COVERS



TELEPHONE CABLE REEL

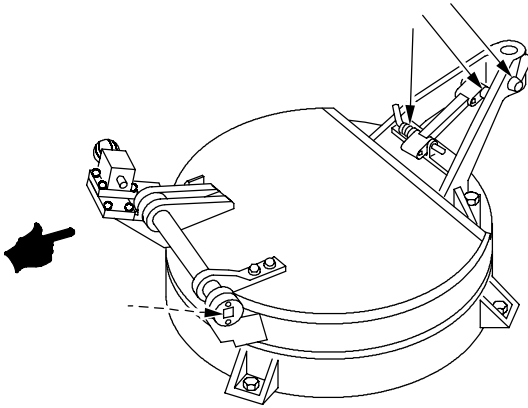


STOWAGE BASKET HINGES

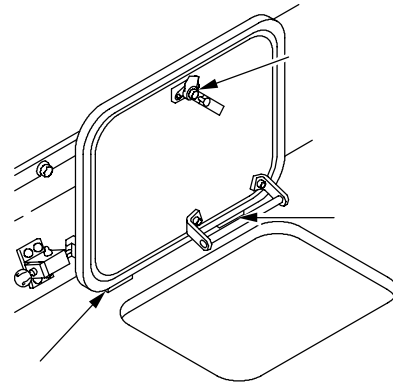
18ph077m

OIL CAN POINTS

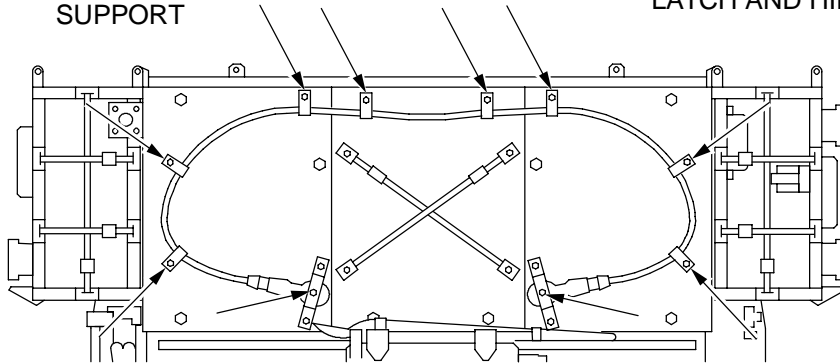
LUBRICATE QUARTERLY WITH SEASONAL GRADE OIL, OE/HDO, CLP, or OEA. Clean lubrication points and wipe off excess lubricant.



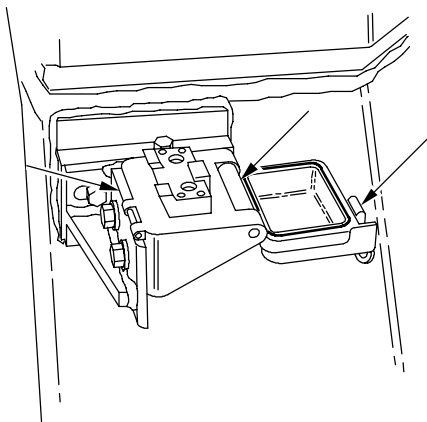
COMMANDER'S CUPOLA HATCH COVER HINGE AND MACHINE GUN PINTLE SUPPORT



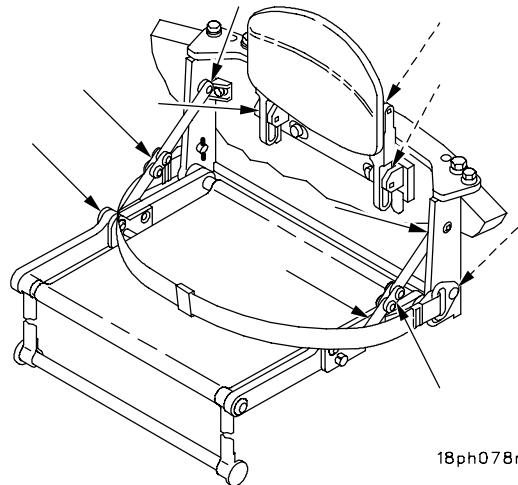
GUNNER'S ESCAPE HATCH LATCH AND HINGES



TOW CABLE MOUNTING BRACKETS



M140/M140A1 ALIGNMENT DEVICE MOUNT ASSEMBLY

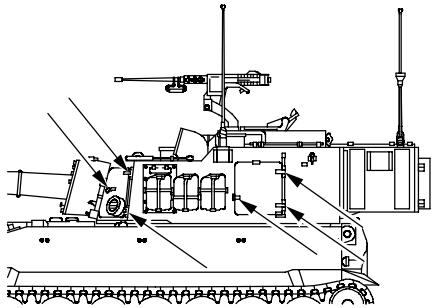


CREW SEAT HINGES

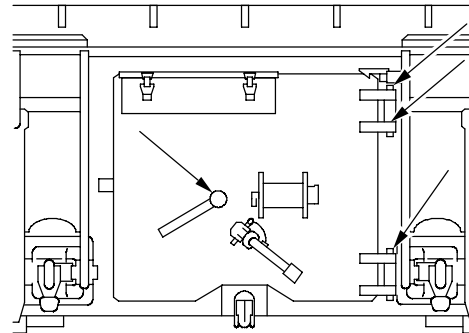
18ph078m

OIL CAN POINTS

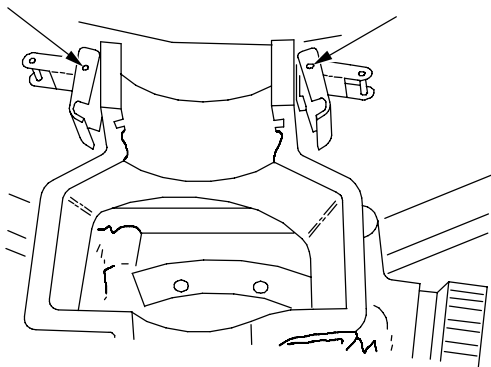
LUBRICATE QUARTERLY WITH SEASONAL GRADE OIL, OE/HDO, CLP, or OEA. Clean lubrication points and wipe off excess lubricant.



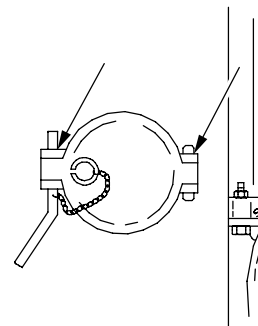
CAB SIDE DOOR AND HYDRAULIC COMPARTMENT ACCESS DOOR HINGES AND LATCHES



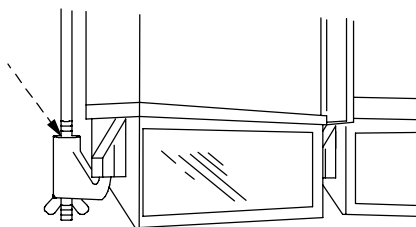
HULL REAR DOOR HINGES, LATCHES, AND CATCH AND LATCHES



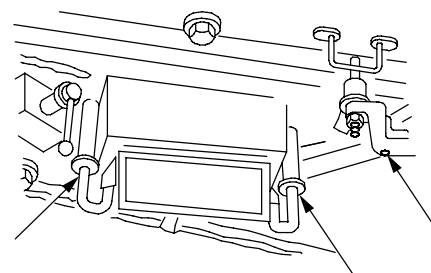
PANORAMIC TELESCOPE MOUNT LATCHES



FUEL FILLER AND RADIATOR FILLER ACCESS COVERS



DRIVER PERISCOPES RETAINING LATCHES

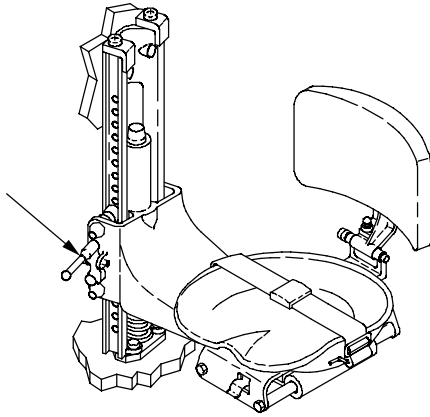


COMMANDER'S CUPOLA HATCH COVER LOCK AND PERISCOPE RETAINING LATCHES

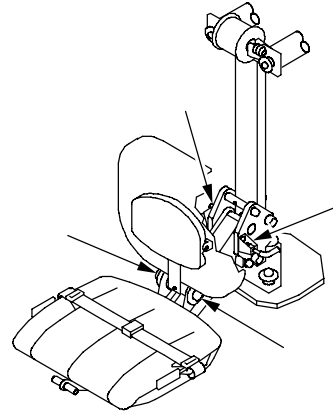
18ph074m

OIL CAN POINTS

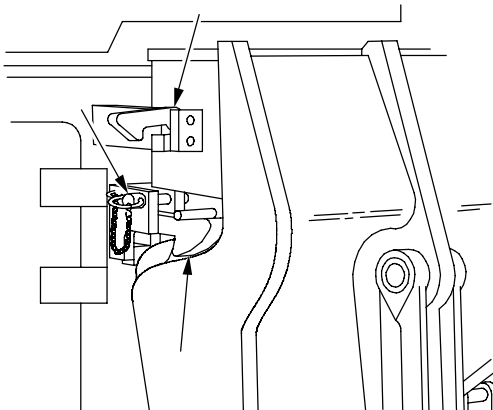
LUBRICATE QUARTERLY WITH SEASONAL GRADE OIL, OE/HDO, CLP, or OEA. Clean lubrication points and wipe off excess lubricant.



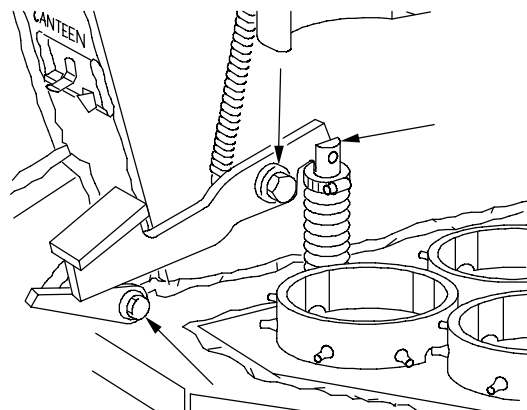
DRIVER'S SEAT MOVING PARTS



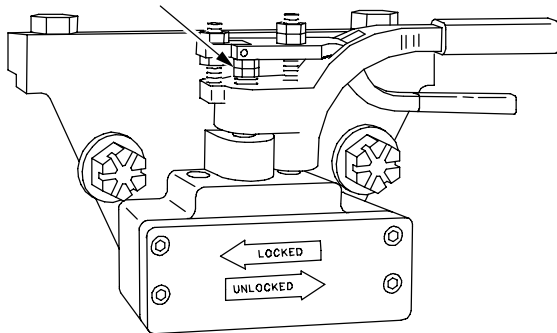
COMMANDER'S SEAT MOVING PARTS



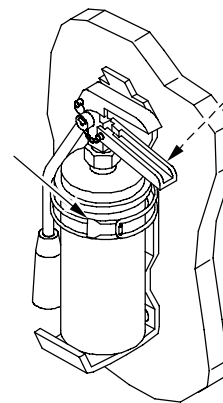
SPADE CATCH AND PIN



SPADE LOCKING LEVER AND LATCH



CAB TRAVERSING LOCK

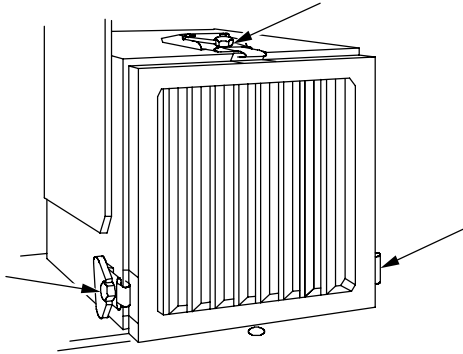


PORTABLE FIRE EXTINGUISHER BRACKETS

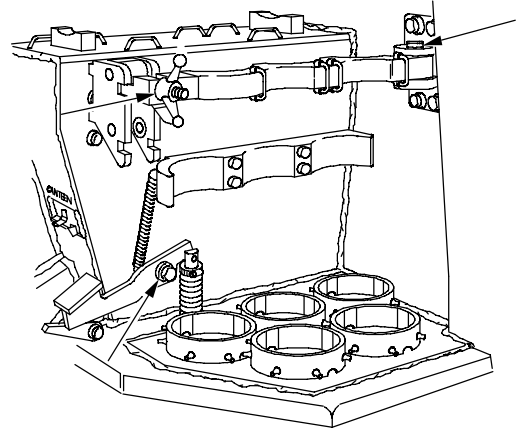
18ph079m

OIL CAN POINTS

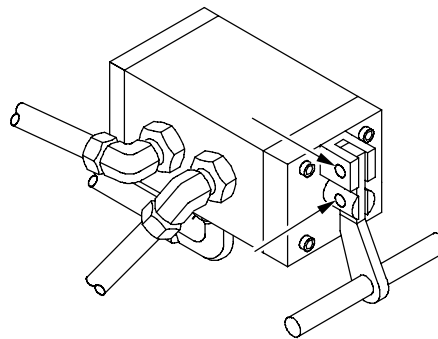
LUBRICATE QUARTERLY WITH SEASONAL GRADE OIL, OE/HDO, CLP, or OEA. Clean lubrication points and wipe off excess lubricant.



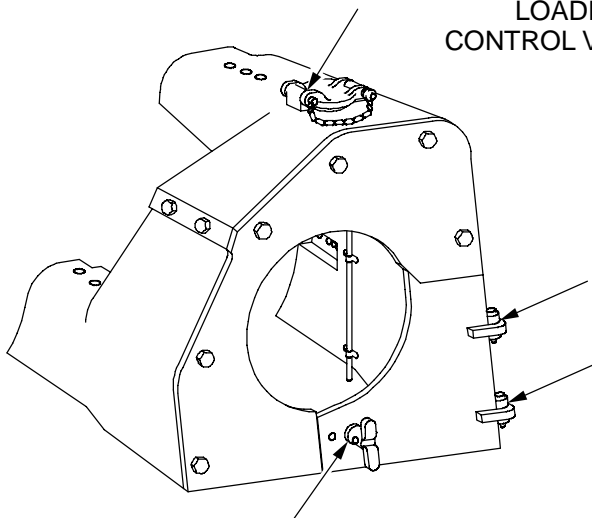
**LEAD PARTICULATE
FILTER HOUSING LATCHES**



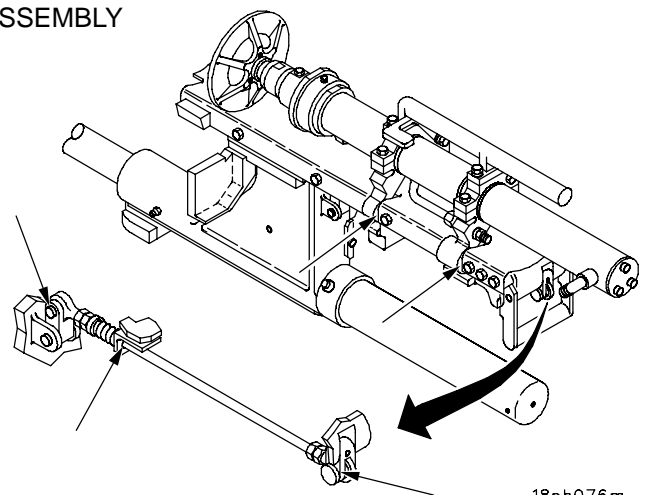
**HULL REAR PROJECTILE
STORAGE RACK HINGES**



**LOADER RAMMER
CONTROL VALVE ASSEMBLY**



**GUN MOUNT BALLISTIC SHIELD
HINGE PINS AND LATCHES**

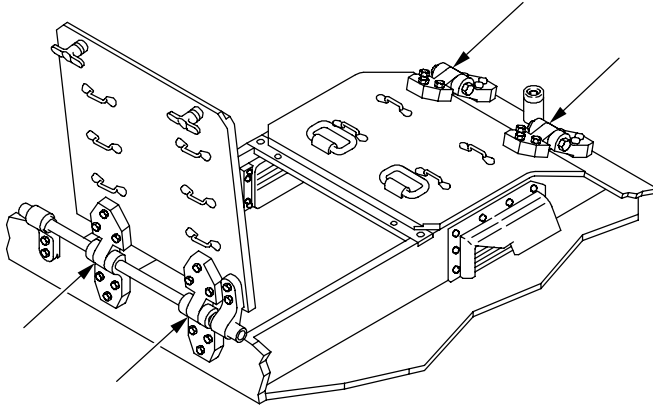


LOADER RAMMER HINGE PINS

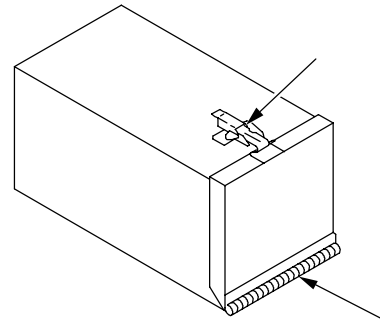
18ph076m

OIL CAN POINTS

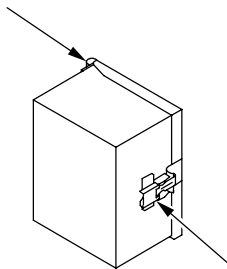
LUBRICATE QUARTERLY WITH SEASONAL GRADE OIL, OE/HDO, CLP, or OEA. Clean lubrication points and wipe off excess lubricant.



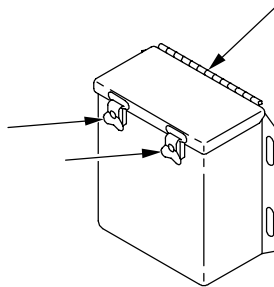
MCS BALLISTIC COVER DOOR HINGES



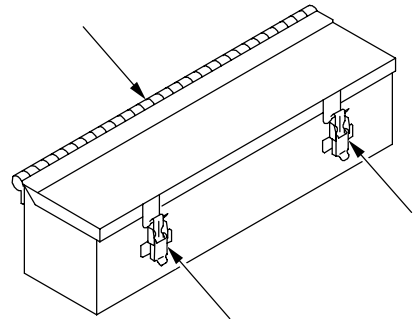
LEFT SIDE GRENADE BOX HINGES AND LATCHES



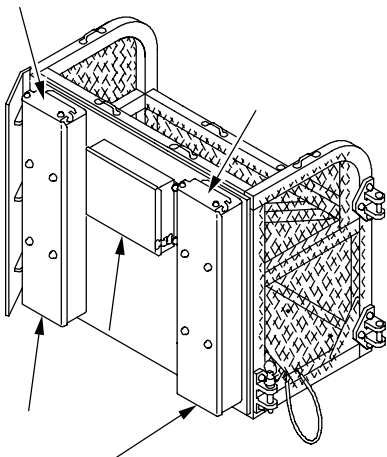
EXTERNAL COMMUNICATION BOX HINGES AND LATCHES



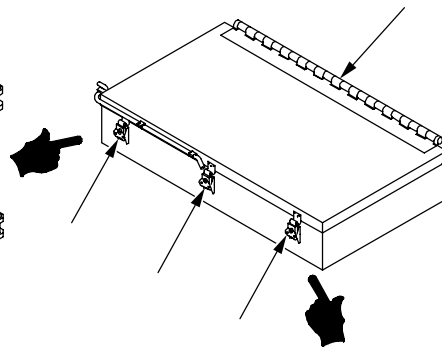
LEFT SIDE HAND PUMP BOX HINGES AND LATCHES



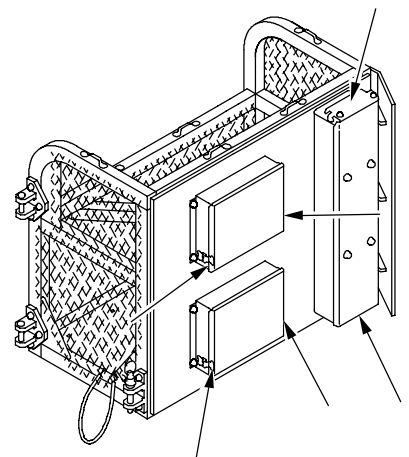
REAR DOOR GRENADE BOX HINGES AND LATCHES



LEFT SIDE STORAGE BOX HINGES AND LATCHES



AT4 STORAGE BOX HINGES AND LATCHES



RIGHT SIDE STORAGE BOX HINGES AND LATCHES

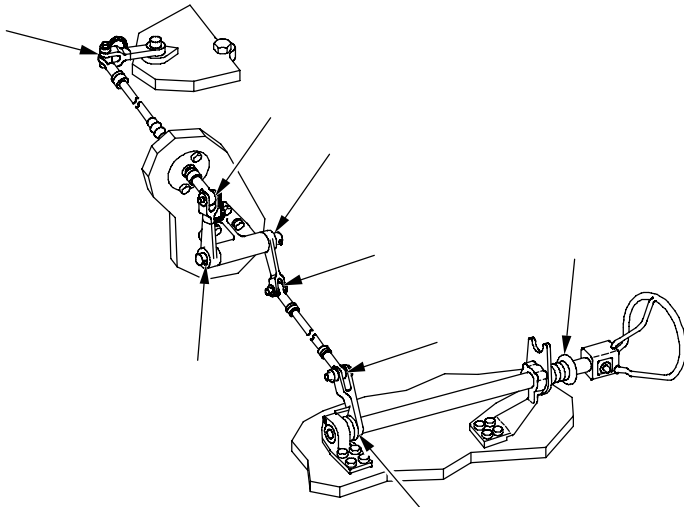
18ph075m

QUARTERLY LUBRICATION POINTS

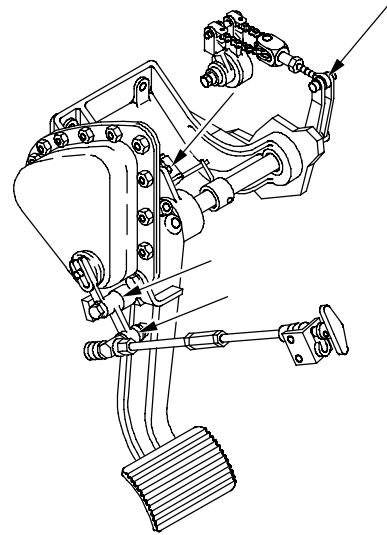
QUARTERLY LUBRICATION INSTRUCTIONS

NOTE

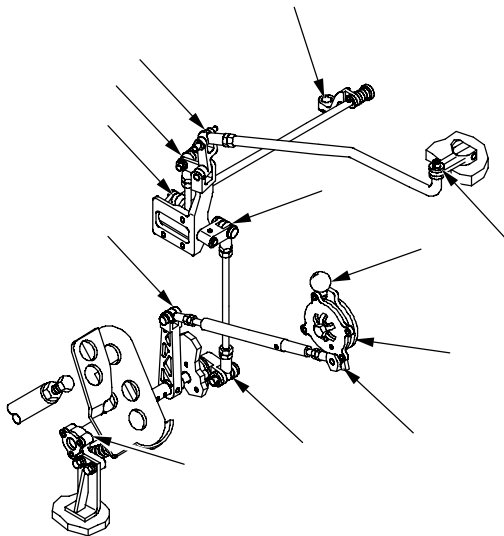
Apply a few drops of CLP on rod end bearing indicated by arrows. Wipe off excess lubricant.



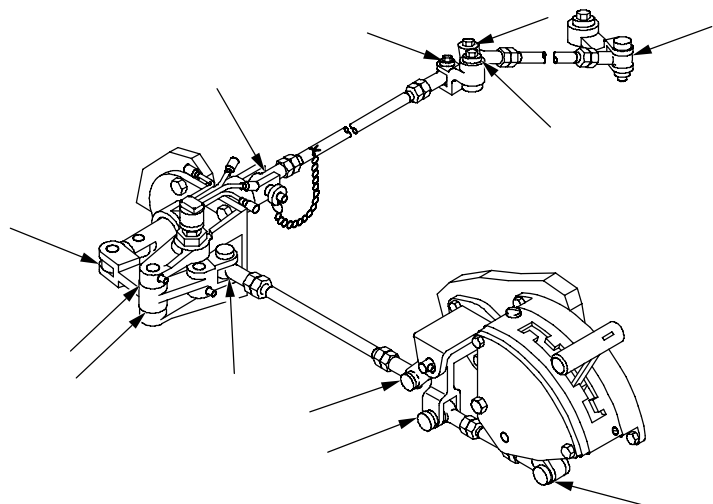
STEERING SHAFT BUSHING AND
STEERING CONTROL LINKAGE



BRAKE CONTROL LINKAGE



ACCELERATOR AND
THROTTLE CONTROLS



TRANSMISSION SHIFTING
CONTROL LINKAGE

18ph080m

APPENDIX J

AFCS/PDFCS/BCS SPHEROID AND DATUM TABLE SPHEROID #1 - AUSTRALIAN NATIONAL SPHEROID

NOTE

Selection of the datum to be used is performed from the setup and information displays (Enter AP/DATUM display).

Table #1 Australian National Spheroid (Spheroid 1)

LOCAL GEODETIC DATUMS			TRANSFORMATION PARAMETERS**		
Local ID CODE	Local ID (Display)	DATUM	DELTA X	DELTA Y	DELTA Z
		Australian National Spheroid			
1	ANO	Anna 1 Astron 1965	-491	-22	435
2	AUA	Australian Geodetic 1966	-133	-48	148
3	AUG	Australian Geodetic 1984	-134	-48	149

Table #2 Bessel (Ethiopia) 1841 Spheroid (Spheroid 2)

LOCAL GEODETIC DATUMS			TRANSFORMATION PARAMETERS**		
Local ID CODE	Local ID (Display)	DATUM	DELTA X	DELTA Y	DELTA Z
		Bessel 1841 (Ethiopia, Indonesia, Japan, and Korea)			
4	BUR	Bukit Rimpah	-384	664	-48
5	BAT	Djakarta (Batavia)	-377	681	-50
6	GSE	Gunung Segara	-403	684	41
7	MAS	Massawa	639	405	60
8	TOY-M	Tokyo	-148	507	685

Table #3 Bessel (Nambia) 1841 Spheroid (Spheroid 3)

LOCAL GEODETIC DATUMS			TRANSFORMATION PARAMETERS**		
Local ID CODE	Local ID (Display)	DATUM	DELTA X	DELTA Y	DELTA Z
		Bessel 1841 (Nambia) Spheroid			
9	SCK	Schwarzeck	616	97	-251

Table #4 Clarke 1866 Spheroid (Spheroid 4)

LOCAL GEODETIC DATUMS			TRANSFORMATION PARAMETERS**		
Local ID CODE	Local ID (Display)	DATUM	DELTA X	DELTA Y	DELTA Z
		Clarke 1866 Spheroid			
10	BER	Bermuda 1957	-73	213	296
11	CAC	Cape Canaveral	-2	151	181
12	GUA	Guam 1963	-100	-248	259
13	LCF	L.C.5 Astro 1961	42	124	147
14	LUZ-A	Luzon Philippines	-133	-77	-51
15	LUZ-B	Luzon Mindano Island	-133	-79	-72
		North American 1927			
16	NAS-C	(CONUS)	-8	160	176
17	NAS-D	Alaska (Excluding Aleutian Islands)	-5	135	172
18	NAS-O	Bahamas (Excluding San Salvador Island)	-4	154	178
19	NAS-E	[Canada, Newfoundland]	-10	158	187
20	NAS-Q	Canal Zone	0	125	201
21	NAS-P	Caribbean	-3	142	183
22	NAS-N	Central America	0	125	194
23	NAS-U	Greenland (Hayes Peninsula)	11	114	195
24	NAS-L	Mexico	-12	130	190
25	NAS-R	San Salvador Island	1	140	165
26	OHA-M	Old Hawaiian	61	-285	-181
27	PUR	Puerto Rico	11	72	-101

Table #5 Clarke 1880 Spheroid (Spheroid Code 5)

LOCAL GEODETIC DATUMS			TRANSFORMATION PARAMETERS**		
Local ID CODE	Local ID (Display)	DATUM	DELTA X	DELTA Y	DELTA Z
		Clarke 1880 Spheroid			
		Adindan			
28	ADI-M	[Ethiopia, Sudan]	-166	-15	204
29	ADI-E	Burkina Faso	-118	-14	218
30	ADI-F	Cameroon	-134	-2	210
31	ADI-C	Mali	-123	-20	220
32	ADI-D	Senegal	-128	-18	224
33	AIA	Antigua Island Astro 1943	-270	13	62
		Arc 1950			
34	ARF-M	[Botswana, Lesotho, Malawi, Swaziland, Zaire, Zambia, Zimbabwe]	-143	-90	-294
35	ARF-H	Burundi	-153	-5	-292
36	ARS	Arc 1960	-160	-6	-302
37	PHA	Ayabelle Lighthouse	-79	-129	145
38	CAP	Cape	-136	-108	-292
39	CGE	Carthage	-263	6	431
40	DAL	Dabola	-83	37	124
41	FOT	Fort Thomas 1955	-7	215	225
42	LEH	Leigon	-130	29	364
43	LIB	Liberia 1964	-90	40	88
44	MIK	Mahe 1971	41	-220	-134
45	MER	Merchich	31	146	47
		Minna			
46	MIN-A	Cameroon	-81	-84	115
47	MIN-B	Nigeria	-92	-93	122
48	ASM	Montserrat Island Astro 1958	174	359	365
49	MPO	M'Poraloko	-74	-130	42
		Nahrwan			
50	NAH-A	Masirah Island (Oman)	-247	-148	369
51	NAH-B	United Arab Emirates	-249	-156	381
52	NAH-C	Saudi Arabia	-243	-192	477
53	FAH	Oman	-346	-1	224
54	PTB	Point 58	-106	-129	165
55	PTN	Point Noire 1948	-148	51	-291
56	MVS	Viti Levu 1916	51	391	-36

Table #6 Everest (Brunei and E. Malaysia) Spheroid (Spheroid Code 6)

LOCAL GEODETIC DATUMS			TRANSFORMATION PARAMETERS**		
Local ID CODE	Local ID (Display)	DATUM	DELTA X	DELTA Y	DELTA Z
		Everest (Brunei and E Malaysia) Spheroid			
57	TIL	Timbalai 1948			
		Brunei and E. Malaysia	-679	669	-48

Table #7 Everest (India 1830) Spheroid (Spheroid Code 7)

LOCAL GEODETIC DATUMS			TRANSFORMATION PARAMETERS**		
Local ID CODE	Local ID (Display)	DATUM	DELTA X	DELTA Y	DELTA Z
		Everest (India 1830) Spheroid			
58	IND-B	Indian			
		Bangladesh	282	726	254
59	INF-A	Indian 1954	218	816	297
60	INH-A	Indian 1975	209	818	290
61	KAN	Kandawala	-97	787	86

Table #8 Everest (India 1956) Spheroid (Spheroid Code 8)

LOCAL GEODETIC DATUMS			TRANSFORMATION PARAMETERS**		
Local ID CODE	Local ID (Display)	DATUM	DELTA X	DELTA Y	DELTA Z
		Everest (India 1956) Spheroid			
62	IND-I	Indian			
		India, Nepal	295	736	257

Table #9 Everest (W. Malaysia and Singapore) Spheroid (Spheroid Code 9)

LOCAL GEODETIC DATUMS			TRANSFORMATION PARAMETERS**		
Local ID CODE	Local ID (Display)	DATUM	DELTA X	DELTA Y	DELTA Z
		Everest (W. Malaysia and Singapore 1948) Spheroid			
63	KEA	Kertau 1948			
		W. Malaysia and Singapore	-11	851	5

Table #10 GRS 80 Spheroid (Spheroid Code A)

LOCAL GEODETIC DATUMS			TRANSFORMATION PARAMETERS**		
Local ID CODE	Local ID (Display)	DATUM	DELTA X	DELTA Y	DELTA Z
		GRS 80 Spheroid			
64	NAR	North American 1983	0	0	0

Table #11 Helmert 1906 Spheroid (Spheroid Code B)

LOCAL GEODETIC DATUMS			TRANSFORMATION PARAMETERS**		
Local ID CODE	Local ID (Display)	DATUM	DELTA X	DELTA Y	DELTA Z
		Helmert 1906 Spheroid			
65	OEG	Old Egyptian 1907	-130	110	-13

Table #12 Hough 1960 Spheroid (Spheroid Code C)

LOCAL GEODETIC DATUMS			TRANSFORMATION PARAMETERS**		
Local ID CODE	Local ID (Display)	DATUM	DELTA X	DELTA Y	DELTA Z
		Hough 1960 Spheroid			
66	ENW	Wake-Eniwetok 1960	102	52	-38

Table #13 International 1924 Spheroid (Spheroid Code D)

LOCAL GEODETIC DATUMS			TRANSFORMATION PARAMETERS**		
Local ID CODE	Local ID (Display)	DATUM	DELTA X	DELTA Y	DELTA Z
		International 1924 Spheroid			
		Ain El ABD 1970			
67	AIN-A	Bahrain Island	-150	-250	-1
68	AIN-B	Saudi Arabia	-143	-236	7
69	ASC	Ascension Island 1958	-205	107	53
70	ATF	Astro Beacon "E" 1945	145	75	-272
71	TRN	Astro/Tern Island (FRIG) 1961	114	-116	-333
72	SHB	Astro DOS 71/4	-320	550	-494
73	ASQ	Astronomical Station 1952	124	-234	-25
74	BID	Bissau	-173	253	27
75	IBE	Bellevue(IGN)	-127	-769	472
76	BOO	Bogota Observatory	307	304	-318
77	CAZ	Camp Area Astro	-104	-129	239

LOCAL GEODETIC DATUMS			TRANSFORMATION PARAMETERS**			
Local ID CODE	Local ID (Display)	DATUM	DELTA X	DELTA Y	DELTA Z	
78	CAI	Campo Inchauspe	-148	136	90	
79	CAO	Canton Astro 1966	298	-304	-375	
80	CHI	Chatham Island Astro 1971	175	-38	113	
81	CHU	Chua Astro	-134	229	-29	
82	COA	Corrego Alegre	-206	172	-6	
83	GIZ	DOS 1968	230	-199	-752	
		European 1950				
84	EAS	Easter Island 1967	211	147	111	
85	EUR-M	[Austria, Belgium, Denmark, Finland, France, Federal Republic of Germany, Gibraltar, Greece, Italy, Luxembourg, Netherlands, Norway, Portugal, Spain, Sweden, Switzerland]	-87	-98	-121	
86	EUR-K	[England, Ireland, Scotland Channel and Shetland Islands]	-86	-96	-120	
87	EUR-S	[Iraq, Israel, Jordan, Kuwait, Lebanon, Saudi Arabia, Syria]	-103	-106	-141	
88	EUR-E	Cyprus	-104	-101	-140	
89	EUR-F	Egypt	-130	-117	-151	
90	EUR-H	Iran	-117	-132	-164	
91	EUR-L	Malta	-107	-88	-149	
92	EUS	European 1979				
		[Austria, Finland, Netherlands, Norway, Spain, Sweden, Switzerland]	-86	-98	-119	
93	GAA	Gan 1970	-133	-321	50	
94	GEO	Geodetic Datum 1949	84	-22	209	
95	GRA	Graciosa Base SW 1948	-104	167	-38	
96	DOB	GUX 1 Astro	252	-209	-751	
97	HEN	Herat North	-333	-222	114	
98	HJO	Hjorsey 1955	-73	46	-86	
99	HKD	Hong Kong 1963	-156	-271	-189	
100	HTN	Hu-Tzu-Shan	-637	-549	-203	
101	ISG	ISTS 061 Astro 1968	-794	119	-298	
102	IST	ISTS 073 Astro 1969	208	-435	-229	
103	JOH	Johnston Island 1961	189	-79	-202	
104	KEG	Kerguelen Island 1949	145	-187	103	
105	KUS	Kusaie Astro 1951	647	1777	-1124	
106	MID	Midway Astro 1961	912	-58	1227	

LOCAL GEODETIC DATUMS			TRANSFORMATION PARAMETERS**		
Local ID CODE	Local ID (Display)	DATUM	DELTA X	DELTA Y	DELTA Z
107	NAP	Naparima, BWI	-10	375	165
108	FLO	Observatorio Meteorologico 1939	425	-169	81
109	PLN	Pico de las Nieves	-307	-92	127
110	PIT	Pitcairn Astro 1967	185	165	42
111	POS	Porto Santo 1936	-499	-249	314
112	PRP-M	Provisional South American 1956	-288	175	-376
113	HIT3	Provisional South Chilean 1963	16	196	93
114	QAT	Qatar National	-128	-283	22
115	QUO	Qornoq	164	138	-189
116	REU	Reunion	94	-948	-1262
117	MOD	Rome 1940	-225	-65	9
118	SAO	Sao Braz	-203	141	53
119	SAE	Santo (DOS) 1965	170	42	84
120	SAP	Sapper Hill 1943	-355	21	72
121	SGM	Selvagem Grande 1938	-289	-124	60
122	TAN	Tananarive Observatory 1925	-189	-242	-91
123	TDC	Tristan Astro 1968	-632	438	-609
124	WAK	Wake Island Astro 1952	276	-57	149
125	YAC	Yacare	-155	171	37
126	ZAN	Zanderij	-265	120	-358

Table #14 Krassovsky 1940 Spheroid (Spheroid Code E)

LOCAL GEODETIC DATUMS			TRANSFORMATION PARAMETERS**		
Local ID CODE	Local ID (Display)	DATUM	DELTA X	DELTA Y	DELTA Z
		Krassovsky 1940 Spheroid			
127	AFG	Afgooye	-43	-163	45

Table #15 Modified Fischer 1960 Spheroid (Spheroid Code F)

LOCAL GEODETIC DATUMS			TRANSFORMATION PARAMETERS**		
Local ID CODE	Local ID (Display)	DATUM	DELTA X	DELTA Y	DELTA Z
		Modified Fischer 1960 Spheroid			
128	SOA	South Asia	7	-10	-26

Table #16 South American 1969 Spheroid (Spheroid Code G)

LOCAL GEODETIC DATUMS			TRANSFORMATION PARAMETERS**		
Local ID CODE	Local ID (Display)	DATUM	DELTA X	DELTA Y	DELTA Z
		South American 1969 Spheroid			
129	SAN-M	South American 1969	-57	1	-41

Table #17 WGS 72 Spheroid (Spheroid Code H)

LOCAL GEODETIC DATUMS			TRANSFORMATION PARAMETERS**		
Local ID CODE	Local ID (Display)	DATUM	DELTA X	DELTA Y	DELTA Z
		WGS 72 Spheroid			
130	WD	WGS 72	0	0	0

Table #18 WGS 84 Spheroid (Spheroid Code I)

LOCAL GEODETIC DATUMS			TRANSFORMATION PARAMETERS**		
Local ID CODE	Local ID (Display)	DATUM	DELTA X	DELTA Y	DELTA Z
		WGS 84 Spheroid			
131	WE	WGS 84	0	0	0

APPENDIX J.1

AFCS/PDFCS/FDC SPHEROID AND DATUM TABLE FOR VERSION 7 AND 7P AND VERSION 2 AND 2P

NOTE

Selection of the datum to be used is performed from the setup and information displays (Enter SPHERIOD/DATUM display).

Table #1 Australian National Spheroid (Spheroid AN)

LOCAL GEODETIC DATUMS		TRANSFORMATION PARAMETERS**		
Local ID (Display)	DATUM	DELTA X	DELTA Y	DELTA Z
	Australian National Spheroid			
ANO	Anna 1 Astron 1965	-491	-22	435
AUA	Australian Geodetic 1966	-133	-48	148
AUG	Australian Geodetic 1984	-134	-48	149

Table #2 Bessel (Ethiopia) 1841 Spheroid (Spheroid BR)

LOCAL GEODETIC DATUMS		TRANSFORMATION PARAMETERS**		
Local ID (Display)	DATUM	DELTA X	DELTA Y	DELTA Z
	Bessel 1841 (Ethiopia, Indonesia, Japan, and Korea)			
BUR	Bukit Rimpah	-384	664	-48
BAT	Djakarta (Batavia)	-377	681	-50
GSE	Gunung Segara	-403	684	41
MAS	Massawa	639	405	60
TOY-M	Tokyo	-148	507	685

Table #3 Bessel (Nambia) 1841 Spheroid (Spheroid BN)

LOCAL GEODETIC DATUMS		TRANSFORMATION PARAMETERS**		
Local ID (Display)	DATUM	DELTA X	DELTA Y	DELTA Z
	Bessel 1841 (Nambia) Spheroid			
SCK	Schwarzeck	616	97	-251

Table #4 Clarke 1866 Spheroid (Spheroid CC)

LOCAL GEODETIC DATUMS		TRANSFORMATION PARAMETERS**		
Local ID (Display)	DATUM	DELTA X	DELTA Y	DELTA Z
	Clarke 1866 Spheroid			
BER	Bermuda 1957	-73	213	296
CAC	Cape Canaveral	-2	151	181
GUA	Guam 1963	-100	-248	259
LCF	L.C.5 Astro 1961	42	124	147
LUZ-A	Luzon Philippines	-133	-77	-51
LUZ-B	Luzon Mindano Island	-133	-79	-72
	North American 1927			
NAS-C	(CONUS)	-8	160	176
NAS-D	Alaska (Excluding Aleutian Islands)	-5	135	172
NAS-Q	Bahamas (Excluding San Salvador Island)	-4	154	178
NAS-E	[Canada, Newfoundland]	-10	158	187
NAS-O	Canal Zone	0	125	201
NAS-P	Caribbean	-3	142	183
NAS-N	Central America	0	125	194
NAS-U	Greenland (Hayes Peninsula)	11	114	195
NAS-L	Mexico	-12	130	190
NAS-R	San Salvador Island	1	140	165
OHA-M	Old Hawaiian	61	-285	-181
PUR	Puerto Rico	11	72	-101

Table #5 Clarke 1880 Spheroid (Spheroid Code CD)

LOCAL GEODETIC DATUMS		TRANSFORMATION PARAMETERS**		
Local ID (Display)	DATUM	DELTA X	DELTA Y	DELTA Z
	Clarke 1880 Spheroid			
	Adindan			
ADI-M	[Ethiopia, Sudan]	-166	-15	204
ADI-E	Burkina Faso	-118	-14	218
ADI-F	Cameroon	-134	-2	210
ADI-C	Mali	-123	-20	220
ADI-D	Senegal	-128	-18	224
AIA	Antigua Island Astro 1943	-270	13	62
	Arc 1950			
ARF-M	[Botswana, Lesotho, Malawi, Swaziland, Zaire, Zambia, Zimbabwe]	-143	-90	-294
ARF-H	Burundi	-153	-5	-292
ARS	Arc 1960	-160	-6	-302
PHA	Ayabelle Lighthouse	-79	-129	145
CAP	Cape	-136	-108	-292
CGE	Carthage	-263	6	431
DAL	Dabola	-83	37	124
FOT	Fort Thomas 1955	-7	215	225
LEH	Leigon	-130	29	364
LIB	Liberia 1964	-90	40	88
MIK	Mahe 1971	41	-220	-134
MER	Merchich	31	146	47
	Minna			
MIN-A	Cameroon	-81	-84	115
MIN-B	Nigeria	-92	-93	122
ASM	Montserrat Island Astro 1958	174	359	365
MPO	M'Poraloko	-74	-130	42
	Nahrwan			
NAH-A	Masirah Island (Oman)	-247	-148	369
NAH-B	United Arab Emirates	-249	-156	381
NAH-C	Saudi Arabia	-243	-192	477
FAH	Oman	-346	-1	224
PTB	Point 58	-106	-129	165
PTN	Point Noire 1948	-148	51	-291
MVS	Viti Levu 1916	51	391	-36

Table #6 Everest (Brunei and E. Malaysia) Spheroid (Spheroid Code EB)

LOCAL GEODETIC DATUMS		TRANSFORMATION PARAMETERS**		
Local ID (Display)	DATUM	DELTA X	DELTA Y	DELTA Z
	Everest (Brunei and E Malaysia) Spheroid			
TIL	Timbalai 1948			
	Brunei and E. Malaysia	-679	669	-48

Table #7 Everest (India 1830) Spheroid (Spheroid Code EA)

LOCAL GEODETIC DATUMS		TRANSFORMATION PARAMETERS**		
Local ID (Display)	DATUM	DELTA X	DELTA Y	DELTA Z
	Everest (India 1830) Spheroid			
IND-B	Indian			
	Bangladesh	282	726	254
INF-A	Indian 1954	218	816	297
INH-A	Indian 1975	209	818	290
KAN	Kandawala	-97	787	86

Table #8 Everest (India 1956) Spheroid (Spheroid Code EC)

LOCAL GEODETIC DATUMS		TRANSFORMATION PARAMETERS**		
Local ID (Display)	DATUM	DELTA X	DELTA Y	DELTA Z
	Everest (India 1956) Spheroid			
IND-I	Indian			
	India, Nepal	295	736	257

Table #9 Everest (W. Malaysia and Singapore) Spheroid (Spheroid Code EE)

LOCAL GEODETIC DATUMS		TRANSFORMATION PARAMETERS**		
Local ID (Display)	DATUM	DELTA X	DELTA Y	DELTA Z
	Everest (W. Malaysia and Singapore 1948) Spheroid			
KEA	Kertau 1948			
	W. Malaysia and Singapore	-11	851	5

Table #10 GRS 80 Spheroid (Spheroid Code RF)

LOCAL GEODETIC DATUMS		TRANSFORMATION PARAMETERS**		
Local ID (Display)	DATUM	DELTA X	DELTA Y	DELTA Z
	GRS 80 Spheroid			
NAR	North American 1983	0	0	0

Table #11 Helmert 1906 Spheroid (Spheroid Code HE)

LOCAL GEODETIC DATUMS		TRANSFORMATION PARAMETERS**		
Local ID (Display)	DATUM	DELTA X	DELTA Y	DELTA Z
	Helmert 1906 Spheroid			
OEG	Old Egyptian 1907	-130	110	-13

Table #12 Hough 1960 Spheroid (Spheroid Code HO)

LOCAL GEODETIC DATUMS		TRANSFORMATION PARAMETERS**		
Local ID (Display)	DATUM	DELTA X	DELTA Y	DELTA Z
	Hough 1960 Spheroid			
ENW	Wake-Eniwetok 1960	102	52	-38

Table #13 International 1924 Spheroid (Spheroid Code IN)

LOCAL GEODETIC DATUMS		TRANSFORMATION PARAMETERS**		
Local ID (Display)	DATUM	DELTA X	DELTA Y	DELTA Z
	International 1924 Spheroid			
	Ain El ABD 1970			
AIN-A	Bahrain Island	-150	-250	-1
AIN-B	Saudi Arabia	-143	-236	7
ASC	Ascension Island 1958	-205	107	53
ATF	Astro Beacon "E" 1945	145	75	-272
TRN	Astro/Tern Island (FRIG) 1961	114	-116	-333
SHB	Astro DOS 71/4	-320	550	-494
ASQ	Astronomical Station 1952	124	-234	-25
BID	Bissau	-173	253	27
IBE	Bellevue(IGN)	-127	-769	472
BOO	Bogota Observatory	307	304	-318
CAZ	Camp Area Astro	-104	-129	239

LOCAL GEODETIC DATUMS		TRANSFORMATION PARAMETERS**		
Local ID (Display)	DATUM	DELTA X	DELTA Y	DELTA Z
CAI	Campo Inchauspe	-148	136	90
CAO	Canton Astro 1966	298	-304	-375
CHI	Chatham Island Astro 1971	175	-38	113
CHU	Chua Astro	-134	229	-29
COA	Corrego Alegre	-206	172	-6
GIZ	DOS 1968	230	-199	-752
	European 1950			
EAS	Easter Island 1967	211	147	111
EUR-M	[Austria, Belgium, Denmark, Finland, France, Federal Republic of Germany, Gibraltar, Greece, Italy, Luxembourg, Netherlands, Norway, Portugal, Spain, Sweden, Switzerland]	-87	-98	-121
EUR-K	[England, Ireland, Scotland Channel and Shetland Islands]	-86	-96	-120
EUR-S	[Iraq, Israel, Jordan, Kuwait, Lebanon, Saudi Arabia, Syria]	-103	-106	-141
EUR-E	Cyprus	-104	-101	-140
EUR-F	Egypt	-130	-117	-151
EUR-H	Iran	-117	-132	-164
EUR-L	Malta	-107	-88	-149
EUS	European 1979			
	[Austria, Finland, Netherlands, Norway, Spain, Sweden, Switzerland]	-86	-98	-119
GAA	Gan 1970	-133	-321	50
GEO	Geodetic Datum 1949	84	-22	209
GRA	Graciosa Base SW 1948	-104	167	-38
DOB	GUX 1 Astro	252	-209	-751
HEN	Herat North	-333	-222	114
HJO	Hjorsey 1955	-73	46	-86
HKD	Hong Kong 1963	-156	-271	-189
HTN	Hu-Tzu-Shan	-637	-549	-203
ISG	ISTS 061 Astro 1968	-794	119	-298
IST	ISTS 073 Astro 1969	208	-435	-229
JOH	Johnston Island 1961	189	-79	-202
KEG	Kerguelen Island 1949	145	-187	103
KUS	Kusaie Astro 1951	647	1777	-1124
MID	Midway Astro 1961	912	-58	1227

LOCAL GEODETIC DATUMS		TRANSFORMATION PARAMETERS**		
Local ID (Display)	DATUM	DELTA X	DELTA Y	DELTA Z
NAP	Naparima, BWI	-10	375	165
FLO	Observatorio Meteorologico 1939	425	-169	81
PLN	Pico de las Nieves	-307	-92	127
PIT	Pitcairn Astro 1967	185	165	42
POS	Porto Santo 1936	-499	-249	314
PRP-M	Provisional South American 1956	-288	175	-376
HIT3	Provisional South Chilean 1963	16	196	93
QAT	Qatar National	-128	-283	22
QUO	Qornoq	164	138	-189
REU	Reunion	94	-948	-1262
MOD	Rome 1940	-225	-65	9
SAO	Sao Braz	-203	141	53
SAE	Santo (DOS) 1965	170	42	84
SAP	Sapper Hill 1943	-355	21	72
SGM	Selvagem Grande 1938	-289	-124	60
TAN	Tananarive Observatory 1925	-189	-242	-91
TDC	Tristan Astro 1968	-632	438	-609
WAK	Wake Island Astro 1952	276	-57	149
YAC	Yacare	-155	171	37
ZAN	Zanderij	-265	120	-358

Table #14 Krassovsky 1940 Spheroid (Spheroid Code KA)

LOCAL GEODETIC DATUMS		TRANSFORMATION PARAMETERS**		
Local ID (Display)	DATUM	DELTA X	DELTA Y	DELTA Z
	Krassovsky 1940 Spheroid			
AFG	Afgooye	-43	-163	45

Table #15 Modified Fischer 1960 Spheroid (Spheroid Code AM)

LOCAL GEODETIC DATUMS		TRANSFORMATION PARAMETERS**		
Local ID (Display)	DATUM	DELTA X	DELTA Y	DELTA Z
	Modified Fischer 1960 Spheroid			
SOA	South Asia	7	-10	-26

Table #16 South American 1969 Spheroid (Spheroid Code SA)

LOCAL GEODETIC DATUMS		TRANSFORMATION PARAMETERS**		
Local ID (Display)	DATUM	DELTA X	DELTA Y	DELTA Z
	South American 1969 Spheroid			
SAN-M	South American 1969	-57	1	-41

Table #17 WGS 72 Spheroid (Spheroid Code WD)

LOCAL GEODETIC DATUMS		TRANSFORMATION PARAMETERS**		
Local ID (Display)	DATUM	DELTA X	DELTA Y	DELTA Z
	WGS 72 Spheroid			
WD	WGS 72	0	0	0

Table #18 WGS 84 Spheroid (Spheroid Code WE)

LOCAL GEODETIC DATUMS		TRANSFORMATION PARAMETERS**		
Local ID (Display)	DATUM	DELTA X	DELTA Y	DELTA Z
	WGS 84 Spheroid			
WE	WGS 84	0	0	0

APPENDIX K

M93 CHRONOGRAPH MUZZLE VELOCITY SYSTEM (MVS)

K-1 SCOPE.

This appendix describes the M93 MVS, procedures and actions that must be taken by COS POC, equipment performance and other important information for the operation of this system. Additional information can be found in FM 6-70.

K-2 PLATOON LEADERSHIP ACTIONS.

The following is a checklist (Table K-1) that assists the platoon leadership in obtaining MVs. It is imperative that each of the steps be followed to allow for greater probability of obtaining usable MVs whether at a dedicated calibration site or updating MVVs during a live fire exercise

Table K-1. Muzzle Velocity Checklist

PLATOON	GUN 1	GUN 2	GUN 3
M93 CONNECTED (PRIOR TO POWER UP)			
NAV POSITION UPDATE (VERIFY PLGR FIGURE OF MERIT 1)			
ROUNDS, FUZES (BCS PROVIDES), VERIFY			
POWDER TEMPERATURE			
MVV ROUNDS (1-9) (UNIT TSOP)			
SELECT AFCS STATUS AND ENSURE MVS IS OPERATIONAL			
BORESIGHT ENTRY			
VERIFICATION MISSION			

K-3 RESPONSIBILITIES.

The POC's main responsibility during the operation of the M93 is to verify and record all information reported from the AFCS. The POC will verify that communication is established by requesting MVVs from the AFCS. There are different methods for obtaining MVVs from the AFCS. The POC FDC chief and/or FDO must decide the preferred method:

K-3.1 Initial Calibration (No previous MVVs recorded).

Ensure MVVs are deleted from the AFCS. Gun must delete by date time group, projectile, and propellant lot. POC will request MVVs from howitzer to verify deletion. Delete MVVs in POC database.

NOTE

To ensure that the AFCS has no MVVs, the POC can send an MVV table to the AFCS with a non-existing shell/fuze combination set with an MVV reading of 0.0. A blank table cannot be sent to the AFCS. (There must be at least one entry in the MVV table.)

K-3 POC RESPONSIBILITIES - Continued

K-3.2 Previous MVVs Already Recorded and Desired Lot to Measure has no MVV.

Verify previous MVVs on AFCS and BCS with recorded historical data. Verify lot has no previous MVV in AFCS and LCU database on AFCS ammunition entered.

K-3.3 Previous MVVs Already Recorded and Desired Lot to Measure has Previous MVV.

Verify previous MVVs on AFCS and BCS with recorded historical data.

NOTE

A new MVV will not be generated unless there is a change of +/- 2.0 meters per second from recorded MVV.

The POC will then send BCS provided AMMO (if not already done). Once AFCS has received the AMMO and the operator has had time to execute, the POC will request AMMO to verify it has been received. The POC will then verify that the AFCS has extended lot designators and the MVS round count has been set to appropriate setting. The POC is now ready to send a mission with the appropriate round count.

Upon EOM the AFCS will send an MVV as long as certain requirements are met:

- AFCS calculates a new MVV.
- Change in +/- 2.0 meters per second from previously recorded MVV.

Once the AFCS receives an acknowledgement from the BCS, the MVV will be stored. If there is no acknowledgement from the BCS the MVV will not be stored on the AFCS. Once the BCS receives the MVV in the INPUT queue, the MVV should be displayed and verified by the FDC chief and FDO. Once the MVV has been verified the LCU operator will execute the MVV and the FDO will record it. The POC will request the MVV from the AFCS to verify proper MVV and will conduct a verification mission.

NOTE

An MVV that is stored on the AFCS will be applied to other MVVs from 3 charges up to 3 charges down, as long as there are no MVVs for that shell/propellant combination. (e.g., If charge 6W HEA has recorded MVVs and a charge 5WB HEA is being shot with no MVVs, the AFCS will apply the charge 6WB to the 5WB to get the most accurate data. If all requirements are met with the MVS an MVV for the 5WB should be generated and sent to the POC.)

The POC M93 operation checklist is provided at Table K-2. For troubleshooting procedures for faults found, refer to Table K-3.

K-3 POC RESPONSIBILITIES - Continued**Table K-2. POC M93 Operation Checklist**

PROCEDURE	COMPLETED
VERIFY COMMUNICATIONS	
VERIFY MVVs ON AFCS AND BCS DATABASE ARE CURRENT	
SEND BCS PROVIDED TO AFCS	
VERIFY EXTENDED LOT DESIGNATORS IN AFCS	
VERIFY MVS ROUND COUNT IN AFCS BY VOICE	
SEND MISSION WITH APPROPRIATE ROUND COUNT	
VERIFY MVV RECEIVED FROM AFCS (FDC CHIEF AND FDO)	
PROCESS MVV (EXECUTE)	
RECORD MVV	
VERIFICATION MISSION	

Table K-3. POC M93 Operation Troubleshooting Procedures

VERIFY COMMUNICATIONS	Verify initialization parameters in AFCS and LCU database. Verify radio frequencies and setting. Try voice on digital radio.
VERIFY MVVs IN DATABASE IN AFCS AND LCU	Verify that all MVVs are current from previously recorded MVVs (MVV book).
SEND BCS PROVIDED TO AFCS	Verify lots sent to gun are correct and match ammunition inventory.
VERIFY EXTENDED LOT DESIGNATORS IN AFCS	Request MVVs from AFCS and verify extended lot designators.
VERIFY MVS ROUND COUNT IN AFCS	Make sure that MVS round count is equal to or greater than the mission fired count.
SEND MISSION WITH APPROPRIATE ROUND COUNT	If mission does not have appropriate rounds an MVV will not be generated.
VERIFY MVV RECEIVED FROM AFCS (FDC CHIEF AND FDO)	Verify that MVV received is accurate. If the MVV is invalid, then delete the MVV by propellant lot from the AFCS.
RECORD MVV	The battalion and batteries should keep a detailed record of all MVVs for each weapon.

K-4 EQUIPMENT PERFORMANCE.

Velocity Measuring Range: 150 - 1500 meters/second
Caliber Range: 40 mm and up
Projectile Types: Conventional, base-bleed,
..... sabot-discarding.
..... rocket-assisted, tracer
..... ammunition, deep cavity
Accuracy: Within 0.05% of the true
..... muzzle velocity
Precision: 0.1 m/s
Firing Rate: 16 round per minute
..... maximum
Firing Detection: Automatic triggering
Measuring (Transmitting) Duration: 500 msec
MV Calculation Duration: 3.25 sec maximum
Flank Firing: No mutual interferences
..... when two systems operate
..... on parallel guns, 30 meters

Transceiver

Transmitted Frequency: 10,525 ± 1 MHz
Transmitted Power: 120 to 240 mW

Antenna

Type: Microstrip
Gain: 22 db minimum
Side Lobe Level: -12 db minimum below main lobe
Beamwidth: E-PLANE: 15° ± 2°
..... H-PLANE: 7° ± 2°
Cross Polarization: -24 db maximum
Squint Angle: E-PLANE 0 ± 1°
..... H-PLANE: 7° ± 1°

K-5 PHYSICAL CHARACTERISTICS.

Transceiver

Size (H x W x D): 12 x 8.4 x 3.8 inch
 (304 x 214 x 96 mm)

Weight: 14.5 lb (6.6 Kg)

Mounting Bracket

Size (H x W x D): 8.3 x 7.4 x 6.6 inch
 (210 x 187 x 167 mm)

Weight: 7.9 lb (3.6 Kg)

K-6 POWER REQUIREMENTS.

Operating Voltage: 18-30 VDC

Power Consumption: 15 W in standby mode; 24 N
 in measure mode.

K-7 MUZZLE VELOCITY MEASUREMENT AND CALCULATION.

The MVP starts the Doppler sampling process when triggered by a signal received from the transceiver. This instant is referred as t = 0. The Doppler signal is then processed to obtain the projectile’s velocity at several predefined instances. The requested MV is obviously V(t=0). This value can be calculated by finding the best-fit linear regression curve of the form:

$$V(t) = at + b$$

Where:

- t - Time in seconds
- V(t) - Instantaneous velocity
- a,b - Linear regression constants

K-8 RF SECTION.

The RF section consists of an antenna and a transceiver. The transceiver consists of an extremely stable oscillator, circulator, and mixer. The RF system transmits a low-power, continuous microwave (X band) signal and receives Doppler-shifted echoes. The detected frequency difference between the transmitted and received frequencies is proportional to the projectile velocity.

K-9 DOPPLER AMPLIFIER.

The Doppler amplifier consists of an amplifier with a bandwidth of 3-140 kHz. The input of the Doppler amplifier is the RF system output which is filtered, amplified, shaped, and transmitted through a differential line driver to the muzzle velocity processor.

K-10 MUZZLE VELOCITY PROCESSOR (MVP).

The MVP is based on the ADSP-2100 Digital Signal Processor. The MVP circuits and parameters are as follows:

- a. 32 K x 24 fast EPROM
- b. 32 K x 16 fast RAM
- c. Clock and timing generation circuits
- d. Doppler signal input circuits
- e. Measure control circuits
- f. Automatic fire detection circuit
- g. MIL-STD-1553 interface

K-11 ADSP-2100 DIGITAL SIGNAL PROCESSOR (DSP).

The circuits and parameters are as follows:

- a. 32-MHz clock
- b. 24-bit program bus
- c. 16-bit data bus
- d. Multiply and accumulate instructions
- e. Instructions performed in 125 nsec

K-11.1 Program Memory.

The program memory consists of 32 K x 24-bit words of high-speed EPROM. The EPROM components are on-board programmable.

K-11.2 Work Memory.

The work memory consists of 32 K x 16-bit, high-speed RAM and serves as the sampling and processing work space.

K-11.3 Transceiver Interface.

The transceiver interface consists of several circuits which enable an interface between the module and the transceiver. These circuits consist of:

- a. An X band interface which amplifies and reshapes the Doppler signal received from the X band receiver.
- b. A precise synthetic Doppler frequency generated for self test purposes.
- c. A trigger circuit for defining the instant of firing and activating the Transceiver.
- d. A signal select circuit which transfers the required inputs for sampling and processing.

K-11.4 Clock Generator, Wait State, and Timing Circuits.

These circuits provide all the necessary system clock, wait states, and other timing such as sampling rate for Doppler signal and baud rate for serial communications.

K-10 ADSP-2100 DIGITAL SIGNAL PROCESSOR (DSP) - Continued

K-11.5 Power Control and Failure Circuit.

This circuit provides the required reset and power failure signals. The power failure signal is used to protect the data base memory from being mistakenly overwritten during power on/off or failure. This circuit provides the system the ability to operate properly upon input power disturbances (power decrease under 18 VDC) caused by start up of other equipment. This is provided by a capacitor which supplies the power to the work memory (RAM) for the period of the power disturbance. The system current mode of operation is stored in that memory. The processor checks that mode and continues operation from the condition it was before the power disturbance occurred. If the power disturbance lasts longer than 3.5 seconds, the M93 MVS resumes operation as if initially powered-up.

K-11.6 Discrete I/O.

Several discrete inputs/outputs are provided for general use.

K-11.7 Address Decoder.

The address decoder decodes the various MVP module component addresses when a read/write operation to them is required.

K-11.8 MIL-STD-1553B Interface.

The MIL-STD-1553B Interface is implemented using a chip set which is based on the Aeroflex C12577-10-QM-P119 chip and associated circuitry. The chip is capable of functioning as a remote terminal (RT) and contains dual low-power transceivers and encoder/decoders, complete BC/RT protocol logic, 4 K x 16 shared static RAM and a direct buffered interface to the host processor bus. The CT2577-10-QM-P119 in the RT mode is able to be addressed within the address range 00001 through 11110 by using the RTADO-RTAD4 and RTADP lines.

K-11.9 Automatic Fire Detection Circuit.

The MVP contains an acceleration switch, which detects the instant of gun firing and provides the command to start the measuring process (to start RF transmission and signal sampling).

K-12 PACKING AND SHIPPING M93 UNITS AND PARTS.

- a. Verify that connector dust cap is securely fastened.
- b. Wrap unit with antistatic bubble sheets. Place extra bubble sheets on radar antenna transceiver face.
- c. Place unit in suitable, firm carton or box.
- d. Pad well with soft packing material. Verify that item will remain secure during shipment.
- e. Fill carton with packing material.
- f. Seal carton.
- g. The unit is now ready for shipping.

K-13 CLEANING.



Use solvent in a well-ventilated area. Avoid breathing vapors. Keep away from flame.

NOTE

Normally, the M93 MVS will not require cleaning of any internal parts because it is sealed against dirt and moisture.

- a. Clean M93 MVS units with a clean, lint-free cloth moistened with alcohol. Cleaning materials and compounds are listed in Appendix D.
- b. Clean cable surfaces with a clean, lint-free cloth moistened with alcohol.

K-14 EXTERNAL INSPECTION.

If any discrepancies are discovered, refer to the applicable repair and replacement procedures provided in the appropriate sections of this chapter.

- a. Inspect all components for security of attachment.
- b. Inspect that Mounting Bracket is properly secured to gun. Check for missing bolts or physical damage.
- c. Inspect Transceiver Radome for physical damage. Clean if necessary.
- d. Inspect all cables for nicks, cracks, and broken wires.
- e. Inspect that cables are not pinched or crimped.

K-15 M93 CHRONOGRAPH (MVS) ABBREVIATIONS.

ABBREVIATION	NAME
DSP	Digital Signal Processor
EEPROM	Electrically Erasable Programmable Read-Only Memory
FDC	Fire Direction Center
FDO	Fire Direction Officer
I/O	Input/Output
K	Kilobyte
kHz	kilohertz
LCU	Lightweight Computer Unit
Mhz	Megahertz
ms	milliseconds
m/sec	Meters Per Second
MV	Muzzle Velocity
MVP	Muzzle Velocity Processor
MVV	Muzzle Velocity Variance
mW	milliwatts
RAM	Random Access Memory
RF	Radio Frequency
SCP	Survey Control Point
TSOP	Tactical Standard Operating Procedures
VDC	Volts - Direct Current

APPENDIX K.1

PALADIN MUZZLE VELOCITY SYSTEM (PMVS)

K.1-1 SCOPE.

This appendix describes the PMVS, procedures and actions that must be taken by COS POC, equipment performance and other important information for the operation of this system. Additional information can be found in FM 6-70.

K.1-2 PLATOON LEADERSHIP ACTIONS.

The following is a checklist (Table K.1-1) that assists the platoon leadership in obtaining MVs. It is imperative that each of the steps be followed to allow for greater probability of obtaining usable MVs whether at a dedicated calibration site or updating MVVs during a live fire exercise.

Table K.1-1. Muzzle Velocity Checklist

PLATOON	GUN 1	GUN 2	GUN 3
PMVS CONNECTED (PRIOR TO POWER UP)			
NAV POSITION UPDATE (VERIFY PLGR FIGURE OF MERIT 1)			
ROUNDS, FUZES (BCS PROVIDES), VERIFY			
POWDER TEMPERATURE			
MVV ROUNDS (1-9) (UNIT TSOP)			
SELECT AFCS STATUS AND ENSURE PMVS IS OPERATIONAL			
BORESIGHT ENTRY			
VERIFICATION MISSION			

K.1-3 POC RESPONSIBILITIES.

The POC's main responsibility during the operation of the PMVS is to verify and record all information reported from the PDFCS. The POC will verify that communication is established by requesting MVVs from the PDFCS. There are different methods for obtaining MVVs from the PDFCS. The POC FDC chief and/or FDO must decide the preferred method:

K.1-3.1 Initial Calibration (No previous MVVs recorded).

Ensure MVVs are deleted from the PDFCS. Gun must delete by date time group, projectile, and propellant lot. POC will request MVVs from howitzer to verify deletion. Delete MVVs in POC database.

NOTE

To ensure that the PDFCS has no MVVs, the POC can send an MVV table to the PDFCS with a non-existing shell/fuze combination set with an MVV reading of 0.0. A blank table cannot be sent to the PDFCS. (There must be at least one entry in the MVV table.)

K.1-3 POC RESPONSIBILITIES - Continued

K.1-3.2 Previous MVVs Already Recorded and Desired Lot to Measure has no MVV.

Verify previous MVVs on PDFCS and BCS with recorded historical data. Verify lot has no previous MVV in PDFCS and LCU database on PDFCS ammunition entered.

K.1-3.3 Previous MVVs Already Recorded and Desired Lot to Measure has Previous MVV.

Verify previous MVVs on PDFCS and BCS with recorded historical data.

NOTE

A new MVV will not be generated unless there is a change of +/- 2.0 meters per second from recorded MVV.

The POC will then send BCS provided AMMO (if not already done). Once PDFCS has received the AMMO and the operator has had time to execute, the POC will request AMMO to verify it has been received. The POC will then verify that the PDFCS has extended lot designators and the MVS round count has been set to appropriate setting. The POC is now ready to send a mission with the appropriate round count.

Upon EOM the PDFCS will send an MVV as long as certain requirements are met:

- PDFCS calculates a new MVV.
- Change in +/- 2.0 meters per second from previously recorded MVV.

Once the PDFCS receives an acknowledgement from the BCS, the MVV will be stored. If there is no acknowledgement from the BCS the MVV will not be stored on the PDFCS. Once the BCS receives the MVV in the INPUT queue, the MVV should be displayed and verified by the FDC chief and FDO. Once the MVV has been verified the LCU operator will execute the MVV and the FDO will record it. The POC will request the MVV from the PDFCS to verify proper MVV and will conduct a verification mission.

NOTE

An MVV that is stored on the PDFCS will be applied to other MVVs from 3 charges up to 3 charges down, as long as there are no MVVs for that shell/propellant combination. (e.g., If charge 6W HEA has recorded MVVs and a charge 5WB HEA is being shot with no MVVs, the PDFCS will apply the charge 6WB to the 5WB to get the most accurate data. If all requirements are met with the PMVS an MVV for the 5WB should be generated and sent to the POC.)

K.1-3 POC RESPONSIBILITIES - Continued

The POC operation checklist is provided at Table K.1-2. For troubleshooting procedures for faults found, refer to Table K.1-3.

Table K.1-2. POC Operation Checklist

PROCEDURE	COMPLETED
VERIFY COMMUNICATIONS	
VERIFY MVVs ON PDFCS AND BCS DATABASE ARE CURRENT	
SEND BCS PROVIDED TO PDFCS	
VERIFY EXTENDED LOT DESIGNATORS IN PDFCS	
VERIFY PMVS ROUND COUNT IN PDFCS BY VOICE	
SEND MISSION WITH APPROPRIATE ROUND COUNT	
VERIFY MVV RECEIVED FROM PDFCS (FDC CHIEF AND FDO)	
PROCESS MVV (EXECUTE)	
RECORD MVV	
VERIFICATION MISSION	

Table K.1-3. POC PMVS Operation Troubleshooting Procedures

VERIFY COMMUNICATIONS	Verify initialization parameters in PDFCS and LCU database. Verify radio frequencies and setting. Try voice on digital radio.
VERIFY MVVs IN DATABASE IN PDFCS AND LCU	Verify that all MVVs are current from previously recorded MVVs (MVV book).
SEND BCS PROVIDED TO PDFCS	Verify lots sent to gun are correct and match ammunition inventory.
VERIFY EXTENDED LOT DESIGNATORS IN PDFCS	Request MVVs from PDFCS and verify extended lot designators.
VERIFY PMVS ROUND COUNT IN PDFCS	Make sure that PMVS round count is equal to or greater than the mission fired count.
SEND MISSION WITH APPROPRIATE ROUND COUNT	If mission does not have appropriate rounds an MVV will not be generated.
VERIFY MVV RECEIVED FROM PDFCS (FDC CHIEF AND FDO)	Verify that MVV received is accurate. If the MVV is invalid, then delete the MVV by propellant lot from the PDFCS.
RECORD MVV	The battalion and batteries should keep a detailed record of all MVVs for each weapon.

K.1-4 EQUIPMENT PERFORMANCE.

Radar Section

Antenna Type:	Micro strip array technology
Transmitter Type:	FETDRO/Amplifier
Output Power:	300 mW \pm 1 dB
Antenna Gain:	22 db \pm 1 dB
Horizontal Beam:	10° \pm 1°
Vertical Beam:	20° \pm 1°
Noise Figure:	6dB \pm 1 dB
Frequency:	10.400 - 10.600 GHz \pm 0.5 MHZ
Frequency selection:	5 User selectable, \pm 6 MHZ
Frequency stability:	100 ppm over temperature range
Front End Filter:	Narrow band microwave filter

Data Acquisition

Input Channels:	1
Anti Aliasing Filter:	Software controllable
Converter:	12 Bits analog to digital converter
Sample Rate:	1.6 - 3000 msec/sample, in 0.2 msec steps
Signal Memory	128K samples, 1M samples optional
Trigger Source	Doppler, Acoustic, accelerometer (optional) or combinations

Digital Section

Central Processor:	Intel 80386EX
Signal Processor:	Analog Device ADSP-21065 Floating Point DSP
Serial Interface:	1 RS-422/RS-232
Operating System:	Multi-tasking Operating System (WOS)
Protocol:	Standard and Customer specified protocol for FCC interface

General

Trigger Detector:	Built-in acoustic detector for starting the microwave transmission
-------------------------	--

K.1-4 EQUIPMENT PERFORMANCE - Continued

System Tester:	Built-in all over Doppler system tester, integrated in oscillator
Motion Transducer:	Accelerometer
Velocity Range:	30-3000 m/s
Rate of Fire:	Up to 10,000 rounds pr. Min
MTBF:	more than 10000 hours
Memory Type:	All parameter settings and results stored in non volatile FLASH memory no internal battery
Parameter Setting:	No input parameters required for operation

K.1-5 PHYSICAL CHARACTERISTICS.

Dimensions:	195 x 187 x 67 mm
Weight:	5 Kg
Surface:	Corrosion protected, painted green

K.1-6 POWER REQUIREMENTS.

Power Supply:	18-32 VDC, 20 Watt
---------------------	--------------------

K.1-7 MUZZLE VELOCITY MEASUREMENT AND CALCULATION.

When armed the system waits for the trigger from the built-in acoustic sensor. There is no microwave radiation while the system is waiting for the trigger.

When the round is fired, the shockwave is detected by the built-in acoustic sensor and the antenna begins to radiate a high frequency low power signal. The signal reflected from the projectile contains information about the actual projectile velocity. The reflected signal is digitized and recorded in the unit. After 0.5 seconds of the signal being recorded the antenna is switched off.

An advanced digital signal analysis is applied to the recorded signal. The calculated velocity points are extrapolated back to the time for muzzle exit and the muzzle velocity of the round calculated. The result is submitted to the FCC.

K.1-8 DOPPLER ANTENNA SECTION.

The antenna section of the PMVS has a built in microwave switch, narrow band microwave filter, acoustic trigger, motion compensation transducer and an all over system Doppler test device. The microwave radiation is controlled from the digital section and the switch is only turned on when a trigger is detected from the acoustic trigger in the antenna. The microwave transmission is automatically turned off after the measurement is finished, typically 0.5 second after muzzle exit. The antenna can also be set in a mode where the antenna is always transmitting.

The narrow band microwave filter makes sure that other radars, especially high power pulse radars, do not saturate the receiver in the Doppler radar antenna. The transmitting frequency is controlled from the digital section and enables several systems to be used in parallel with different transmitting frequencies. The all over system test generator, integrated in the oscillator, generates a Doppler signal and is used for a total system test during power up.

K.1-9 DIGITAL PROCESSOR SECTION.

The digital section contains the data acquisition and processing unit for calculation of all results. It is fully remote controlled from the Fire Control Computer through external interfaces. The electronic section uses 3.3 volt circuits as far as possible, this allows high component density with a minimum of power consumption. The software is programmed into non volatile memory but the software can be updated through the external interface from a computer without opening the unit.

K.1-10 OPERATION.

The PMVS has no user controllable parameters and all operation is controlled from the FCC. It uses a simple command interpreter with a basic set of commands to do the following:

- Arm and disarm the system.
- Perform a self test.
- Read and erase the calculated or stored results.
- Submit the necessary information for the Muzzle Velocity management system.

When a trigger is detected from the acoustic transducer, the system starts to radiate and digitize the return signal to the signal memory. If the trigger is rejected by the system as invalid, the system immediately stops radiating and returns to the armed mode. If the trigger is valid, the system records the data for up to 1 second before the transmitter is switched off.

The recorded signal is analysed in the digital processor unit Fast Fourier Transformer (FFT) to extract up to 128 Velocity data points. If the motion compensation option is selected, the points are corrected for the gun jump influence. An intelligent second order polynomial curve fit is applied to the data points and this curve fit is extrapolated back to the muzzle exit point. The calculated muzzle velocity is transmitted to the FCC over the serial interface and stored internally for later read out. The system returns to the idle mode within 2 seconds after the round was fired.

The use of a high number of data points and a second order polynomial fit enables the PMVS to measure the muzzle velocity on all known ammunitions with the highest possible accuracy and reliability.

K.1-11 PACKING AND SHIPPING PMVS UNITS AND PARTS.

- a. The connector dust cap is securely fastened.
- b. Wrap unit with antistatic bubble sheets. Place extra bubble sheets on radar antenna transceiver face.
- c. Place unit in suitable, firm carton or box.
- d. Pad well with soft packing material. Verify that item will remain secure during shipment.
- e. Fill carton with packing material.
- f. Seal carton.
- g. The unit is now ready for shipping.

K.1-12 CLEANING.

The radiating surface of the antenna must be kept clean and free of extensive build-up of mud, dust or ice for optimum performance.



To prevent death or injury make sure all electrical power to the PMVS system is removed.

NOTE

Normally, the PMVS will not require cleaning of any internal parts because it is sealed against dirt and moisture.

- a. Disconnect W92A cable and install protective cap on connector.
- b. Clean PMVS with a clean, lint-free cloth and common detergents. Take care not to scratch the radiating surface.
- c. Remove protective cap from connector and reconnect W92A cable to connector.

K.1-13 EXTERNAL INSPECTION.

If any discrepancies are discovered, refer to the applicable repair and replacement procedures provided in the appropriate sections of this chapter.

- a. Inspect all components for security of attachment.
- b. Inspect that Mounting Bracket is properly secured to gun. Check for missing bolts or physical damage.
- c. Inspect Transceiver Radome for physical damage. Clean if necessary.
- d. Inspect all cables for nicks, cracks, and broken wires.
- e. Inspect that cables are not pinched or crimped.

APPENDIX L

OPERATION OF AUTOMATIC FIRE CONTROL SYSTEM (AFCS) (VERSION 7 SOFTWARE)

TABLE OF CONTENTS

	<u>Page</u>
L-1 SCOPE.	L-3
L-2 GENERAL.	L-3
L-3 AFCS OPERATING MODES.	L-3
L-3.1 Training Mode.	L-3
L-3.2 Normal Operation Mode.	L-4
L-3.3 Maintenance Mode.	L-4
L-4 AFCS OPERATING CONTROLS AND INDICATORS.	L-4
L-5 DC POWER MESSAGES.	L-21
L-5.1 On Auxiliary Power.	L-21
L-5.2 Auxiliary Power Not Available.	L-22
L-5.3 Vehicle and Auxiliary Power OK.	L-22
L-6 AFCS INITIALIZATION.	L-23
L-6.1 System Power-Up.	L-23
L-6.2 Initializing.	L-28
L-6.3 Initialization After an Orderly Shutdown.	L-77
L-6.4 Initialization After a Catastrophic Failure.	L-94
L-7 AFCS TRAVEL MODE.	L-96
L-7.1 Movement.	L-96
L-7.2 Emplacement Fire Point/Fire Area.	L-101
L-8 AFCS FIRE MISSION.	L-114
L-8.1 Platoon Operation Center.	L-117
L-8.2 Firing Mission.	L-119
L-8.3 Ammunition Accountability.	L-121
L-8.4 End of Mission.	L-123
L-8.5 AFCS Emergency Mission.	L-124
L-8.6 Direct Fire Procedures Using AFCS.	L-126
L-8.7 System Menus.	L-131
L-9 AFCS AND PDIU FAULT DETECTION.	L-151
L-9.1 Power Up Built-In-Test (BIT).	L-151
L-9.2 AFCS Status.	L-154
L-9.3 PDIU System Test.	L-160
L-9.4 Weapon Control Test.	L-174
L-9.5 Vehicle Motion Sensor Test.	L-178
L-9.6 Audio Alert Test.	L-180
L-9.7 Display Test.	L-181
L-9.8 Key and Switch Test.	L-182
L-9.9 Boresight Angle Entry.	L-183
L-9.10 Equivalent Full Charge (EFC).	L-183
L-9.11 AFCS and PDIU Abbreviations.	L-188
L-9.12 Software Version/Configuration Display.	L-191
L-9.13 CPU Environment Display.	L-192
L-10 SYMPTOM INDEX.	L-193

TM 9-2350-314-10

L-11 AFCS CONFIDENCE TESTS. L-204
L-11.1 Verification of Position and Direction Using Survey Data. L-204
L-11.2 Testing the Accuracy of the AFCS Elevation. L-209

L-1 SCOPE.

This appendix contains the procedures and actions necessary for proper operation of the Automatic Fire Control System (AFCS) utilizing Version 7 Software.

L-2 GENERAL.

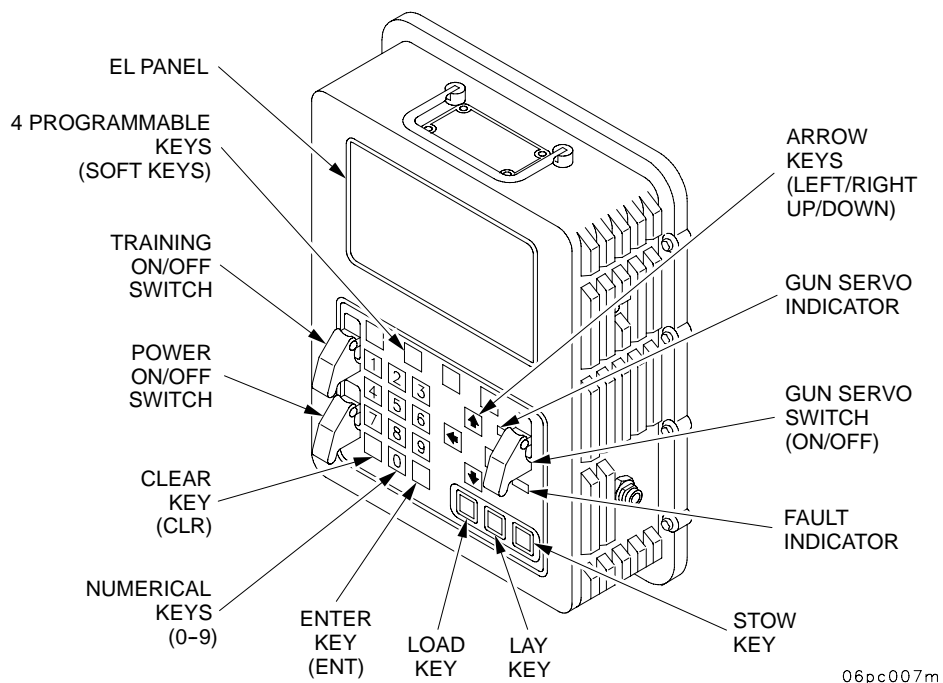
The Automatic Fire Control System (AFCS) performs ballistic computations and weapon control, provides the interface between the AFCS computer and the radios, and stores data which is displayed/entered on the Display Unit (DU).

AFCS eliminates the use of optical fire control equipment in laying vehicle for deflection and elevation during indirect fire missions. The AFCS receives target information, calculates weapons position and automatically lays the gun tube. Calls for fire are accepted directly. Communication can be performed with any authorized source.

In addition AFCS contains a maintenance utility designed to perform initial troubleshooting of the system and a Built-In Training Device (Embedded Trainer) containing a tutorial on system operations.

L-3 AFCS OPERATING MODES.

The AFCS functions are performed during three operating modes. These modes are Training, Normal Operations, and Maintenance.



L-3.1 Training Mode.

The AFCS has a Built-In Training Device (Embedded Trainer). This can be used as a tutorial device to train, maintain, improve, and evaluate crew efficiency/performance. This function allows for simulating Move and Fire Missions under a variety of battlefield scenarios. These include: Shoot Heavy, Move Heavy, Modified Balanced, as well as Degraded conditions (for AFCS), all without need for radio communications (AFCS simulates all radio communications so training can be accomplished without POC assets). In addition, the Embedded Trainer can be run from a Beginner's Tutorial option through a full scale scenario.

L-3 AFCS Operating Modes - Continued

L-3.2 Normal Operation Mode.

During the normal operation mode, there are submodes which make up initializing the system navigation, emplacement, and firing the howitzer. These submodes are initialization, travel, and fire mission.

L-3.3 Maintenance Mode.

This mode is designed to be used by the crew to do initial troubleshooting of a failure in the AFCS, isolate to an LRU and expedite repair, and view detailed software configuration information for each LRU/CPCI.

L-4 AFCS OPERATING CONTROLS AND INDICATORS.

- a. GUN SERVO Indicator Lamp. This amber indicator lamp will come on only during AFCS movement of the weapon. Additionally, the lamp stays on when the servos position the weapon on command LAY.
- b. GUN SERVO ON/OFF Switch. This toggle switch enables gun servo units. Lifting guard and placing switch in ON position allows AFCS to control gun servo valves. (This is required for Gun Laying by AFCS, also needed for STOW and LOAD commands by AFCS.) Closing switch guard will automatically place switch in OFF position.
- c. Arrow Keys (up/right/down and left). Pressing proper key will move highlighted area of display on EL Panel.
- d. FAULT Indicator Lamp. This indicator lamp will come on when a failure has been detected by internal BIT of AFCS.
- e. STOW Key. With GUN switch ON, pressing STOW key will automatically return gun to a position above the travel lock. (Final tube positioning to secure gun in travel lock must be done with gunner's/COS control handles.)
- f. LAY Key. With GUN switch ON, pressing LAY key will automatically drive gun to Commanded (CMD) position by AFCS (in proper azimuth and elevation).
- g. LOAD Key. With GUN switch ON, pressing LOAD key during high firing angles will automatically return gun to a preselected low elevation angle. This allows easier loading of gun.
 - (1) During Fire Mission. Pressing LOAD key during a Fire Mission will return gun to preselected load elevation and traverse gun to LAY position.
 - (2) Prior to Fire Mission. Pressing LOAD key prior to a Fire Mission (Section in Order) will return gun to preselected load elevation and traverse to Final Protective Fire (FPF) azimuth.

NOTE

If there is no FPF, the gun will traverse to the assigned center sector of fire.

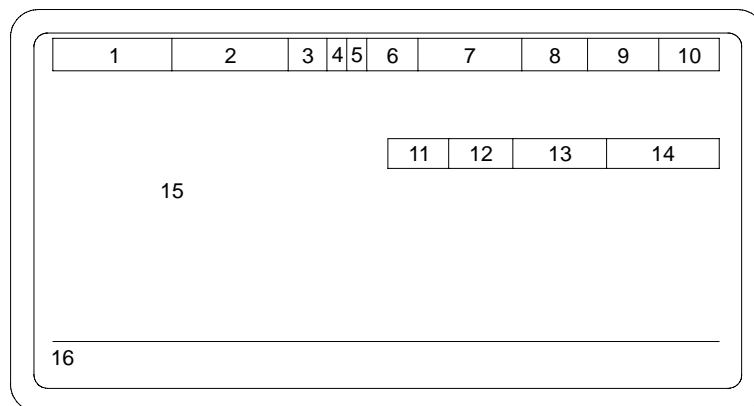
- h. KEYPAD (Numerals 0 through 9, CLR--clear, and ENT--enter keys). These keys are used for entering data. The CLR key is used to delete a numeric entry within the cursor field on EL Panel. The ENT key is used to insert a numeric entry into highlighted field on EL Panel.

NOTE

If DU POWER is switched to OFF, alignment data will have to be reentered at next power up. Navigation Restart is a 15-minute procedure. Closing switch guard will not place this switch in OFF position. Switch must be manually put in OFF position.

L-4 AFCS Operating Controls and Indicators - Continued

- i. **POWER ON/OFF Switch.** Lifting the guard and placing switch in ON position powers up AFCS. System will then automatically perform self-test (BIT). After BIT, AFCS will control gun hydraulics when GUN ON/OFF switch is ON. At this time, some gun movement may occur. Do not power down DU (AFCS) when entering/exiting different modes. After AFCS has been powered down, the AFCS will power up and be operational in approximately 3-4 minutes.
- j. **TRAINING ON/OFF Switch.** Lifting the guard and placing switch in ON position while AFCS is at the select operating mode menu allows operator to select Training Mode. (To exit Training Mode, either finish scenario and exit via appropriate soft key, or place TRAINING ON/OFF switch to OFF and select appropriate soft key to exit.)
- k. **Soft Keys (four).** Function of keys depends on menu being displayed (worked). Lowest display line identifies function.
- l. **EL Panel.** Displays various menus, operator alerts/warnings, messages and orders/commands. Information shown on the EL panel will vary, but format will remain the same. The format will show possible fire mission data fields, advisory messages, instructions, and commands. The EL panel data fields are numbered as follows:



06pc088m

- (1) Field 1, AFCS Operational Mode - The following can appear:

NORMAL - This indicates that the NORMAL OPERATIONAL mode is selected.

EMB TNG - This indicates that the TRAINING mode is selected.

MAINT - This indicates that the maintenance mode is selected.

REV XX - This indicates system software version identifier. Shown only until an AFCS mode selection is made.

(blank) - This indicates that the AFCS software is undetermined.

L-4 AFCS Operating Controls and Indicators - Continued

- (2) Field 2, FIRE MISSION STATUS - The following can appear:

CHKFIRE - This indicates that a checkfire status exists on the AFCS. This message will appear in inverse video.

FIREMSN - This indicates that the AFCS is performing a fire mission. This message will appear in inverse video.

(blank) - This indicates that the AFCS is in normal operating status awaiting orders.

- (3) Field 3, MOVE ORDER INDICATOR - The following data may appear.

MO - This indicates that the AFCS has an active move order. This indicator will appear in inverse video.

(blank) - This indicates that there is no move order active.

- (4) Field 4, WARNING MESSAGE INDICATOR -

W - If the letter W appears in inverse video a warning message has been queued.

(blank) - This indicates that there are no warning messages for the operator to view.

- (5) Field 5, RECEIVED MESSAGE INDICATOR -

R - If the letter R appears in inverse video a received message has been queued.

(blank) - This indicates that there are no received messages for the operator.

- (6) Field 6, ALIGN TIME TO GO INDICATOR - This three (3) character field indicates that the AFCS is performing navigation alignment and should be complete in "nnn" (0...900) seconds or indicates that the AFCS has initiated a command sequence with the Navigation Device. Following are the data that may appear in this field, in highest to lowest priority order:

ZPT - This indicates that the DRU has indicated a ZUPT Stop has been requested.

CMD - This indicates that the AFCS has initiated a command sequence with the Navigation Device and the command sequence has not yet been completed.

POS - This indicates that the Navigation Device has requested a position update.

nnn - This three digit number indicates the number of seconds remaining before navigation alignment is complete. If the most significant digit is not the left most digit, the value will be padded with zeros on its left side.

(blank) - If the field is blank then the AFCS is not undergoing navigational alignment.

L-4 AFCS Operating Controls and Indicators - Continued

- (7) Field 7, FUNCTION STATUS - Indicates the status of the various AFCS functions. The following data may appear in this field when in normal or training operational modes:

“NACW” - Each letter of this string indicates that a function is not available or non-operational. The letters represent the status of the following functions:

“N” - Navigation function

“A” - GPS Aiding function

“C” - Communications Function

“W” - Weapon Control Function

“ ” - Spare

(blank) - The absence of a letter indicates that the associated function is available.

NOTE

When “DRY FIRE” has been selected in the FIRE MISSION MODE Muzzle Velocity processing and EFC processing shall not be performed. All other functions are performed as they would be in a normal Live Fire Mode. An operator warning, “D” shall be shown in position 4 of the Function Status Field. This warning shall remain in all screens until “LIVE FIRE” is selected.

- (8) Field 8, LOAD KEY STATUS - this four (4) character field indicates the status of the load key. The following data may appear in this field:

LOAD - This indicates that the load key is active. If this field is highlighted, it indicates that the tube is within the load elevation.

(blank) - This indicates that the load key is inactive.

- (9) Field 9, LAY KEY STATUS - This three (3) character field indicates the status of the LAY key. The following may appear in this field:

LAY - This indicates that the LAY key is active. If this field is highlighted, it indicates that the tube is at the latest LAY commands.

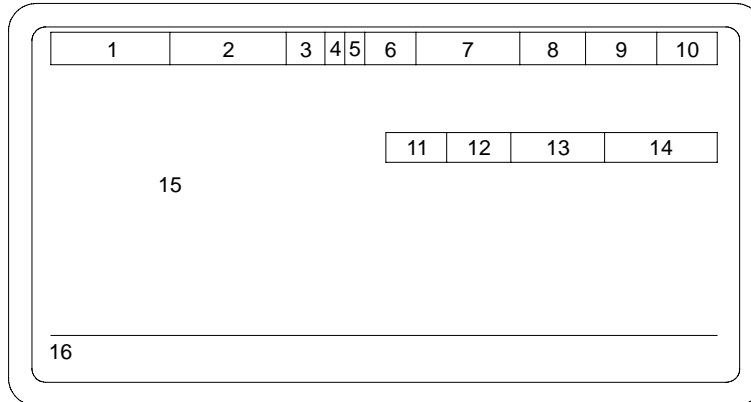
(blank) - This indicates that the LAY key is inactive.

L-4 AFCS Operating Controls and Indicators - Continued

(10) Field 10, STOW KEY STATUS - This three (3) character field indicates the status of the STOW key. The following data may appear in this field:

STOW - This indicates that the STOW key is active. If this field is highlighted it indicates that the tube is within the STOW position.

(blank) - This indicates that the STOW key is inactive.



06pc088m

(11) Field 11, Mission Priority - The following may appear:

FPF - This indicates that the mission is a Final Protective Fire mission.

PRI - This indicates that the mission is a Priority mission.

(blank) - This indicates that the mission is a Normal mission.

(12) Field 12, Mission Urgency - The following may appear:

DC - This indicates that the mission has an associated Danger Close status.

TOT - This indicates that the AFCS is processing a Time On Target fire mission.

(blank) - This indicates that the AFCS has Normal urgency for this mission.

(13) Field 13, Tube Temperature Status - One of the following three will appear:

COLD - This indicates that the tube temperature is in a cold status.

WARM - This indicates that the tube temperature is in a warm status.

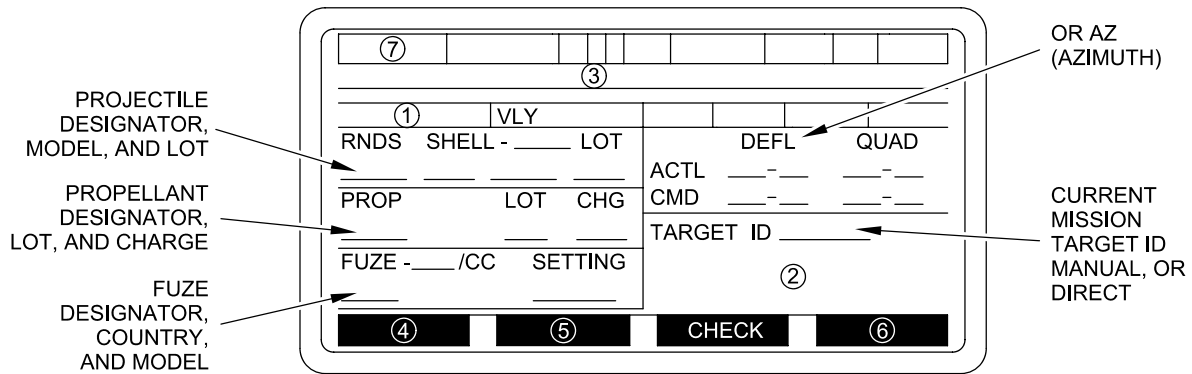
HOT - This indicates that the tube temperature is in a hot status.

(blank) - This indicates that the tube temperature is not available.

(14) Field 14, Safe Time in Tube Status - This indicates the current safe time for a round to be in the tube. The time is shown in minutes; refer to para 2-17d. When the tube is cold, this indicator is blank to indicate that there is no limit on the safe time in the tube.

L-4 AFCS Operating Controls and Indicators - Continued

(15) Field 15, Various instructions and warnings will appear in this area, as necessary. Some of the advisory messages and/or instructions displayed in field 15 are listed below:



06pc242t

Listed below are the legal values for each field of FIRE MISSION display.

VLY / = current volley being displayed: 1/1, 1/2 or 2/2

NOTE

The 1/1, 1/2, and 2/2 data shall not be displayed for operator initiated fire missions and missions that are in fire commands format.

- RNDS = Number of rounds remaining to fire 1..99
- SHELL = Shell model and mnemonic
- SHELL LOT = A..Z
- PROP = Propellant model
- PROP LOT = A..Z
- CHG = Propellant charge designator (see Table L-1)
- FUZE = Fuze model, Country and mnemonic
- SETTING = Computed fuze setting, "PD" or "DELAY"
- DEFL or AZ = 0.0..6399.9 mils
- QUAD = -200.0+1600.0 mils
- TARGET ID = Current mission target identification

Instructions and warnings which could appear on the FIRE MISSION display:

- ① Blank field 1 = Fire mission is not a sheaf
- SHEAF PT = This gun is participating in a multigun sheaf
- SHEAF a/s = This gun is conducting a single gun sheaf where: a..Current aimpoint number; b..Number of sheaf points

L-4 AFCS Operating Controls and Indicators - Continued

NOTE

The alerts marked below with an asterisk will result in an "OK TO SHOOT?" "YES", "NO" short error message to the AFCS operator.

If the fire mission is a multiple phase fire mission and the violation occurs for only one phase, the violation and error message will be displayed before continuing the mission.

If the fire mission has multiple aimpoints and the violation does not apply to every aimpoint, the violation and error message will be displayed for each aimpoint that has the violation, when the data for that aimpoint is displayed the first time.

The "SAFE FIRE AREA VIOLATION" warning shall be the first to appear and shall reappear after all other warnings have been cleared. The additional information in this field shall remain until it is superseded or no longer applies.

2

Blank field 2 = displayed when none of the following apply

SAFE FIRE AREA VIOLATION = The aimpoint or trajectory termination is outside of the received Safe Fire Area.*

REMEMBER TO UPDATE INVENTORY = Direct or manual fire mission and none of the following apply

WARNING TUBE IS NOT IN LAY POSITION = WC is operational and the tube is not in the lay window

TUBE MUST BE LAID MANUALLY = WC is not operational

CALL FDC IF ROUND IN TUBE = Awaiting tube clear and crew not authorized to fire

PRESS SHOT OR CLEAR TO ACK CEASELOAD = AFCS has received a ceaseload request

SECTOR OF FIRE VIOLATION = Gun-target line is outside the defined sector of fire*

SITE VIOLATION = Firing parameters violate defined mask*

INSUFFICIENT AMMO SHELL/FUZE/PROP = Insufficient inventory quantities*

INSUFFICIENT AMMO SHELL/FUZE = Insufficient inventory quantities*

INSUFFICIENT AMMO SHELL/PROP = Insufficient inventory quantities*

INSUFFICIENT AMMO FUZE/PROP = Insufficient inventory quantities*

INSUFFICIENT AMMO SHELL = Insufficient inventory quantities*

INSUFFICIENT AMMO FUZE = Insufficient inventory quantities*

INSUFFICIENT AMMO PROP = Insufficient inventory quantities*

MAX TUBE EL EXCEEDED = Computed QE exceeds the defined maximum tube elevation.*

MINIMUM QE VIOLATED = The Gun Tube has violated the minimum QE as entered by the AFCS operator. Enter Minimum Firing QE Display.*

L-4 AFCS Operating Controls and Indicators - Continued

- ③ Blank field 3 indicates that none of the following apply
 FIRE WHEN READY = Fire at will
 UNDER VOICE ORDERS = Manual fire mission
 COMPUTING DO NOT LOAD = AFCS computing or waiting for operator response
 DO NOT LOAD = Do not load mission
 LOAD LAY THEN PRESS READY = At my command or Copperhead mission
 WAIT FOR COMMAND = At my command after ready
 WAIT NNN SECONDS = Time to fire mission or continuous interval mission. NNN maximum number is 999. If greater than 999 seconds = WAIT *** SECONDS
 WAIT NNN SECONDS - FDC COMP = WAIT NNN SECONDS = Time to fire mission or continuous interval mission. NNN maximum number is 999. If greater than 999 seconds = WAIT *** SECONDS.
 FIRE = Command to fire
 FPF END OF MISSION = EOM of ceaseload during FPF
 EARLY END OF MISSION = EOM received after load but before all rounds fired
 CEASELOAD = Ceaseload received after load but before all rounds fired
- ④ Blank field 4 indicates that none of the following apply
 SHOT = AFCS requires notification of round fired
 READY = AFCS requires notification of operator ready to fire
- ⑤ Blank field 5 indicates that none of the following apply
 CLEAR = AFCS requires notification of tube clear
 OTHER VLY = Other volley information is available for operator viewing
- ⑥ Blank field 6 indicates that fire mission is not active
 ABORT = Fire mission other than direct or manual active
 EOM = Direct or manual mission active
- ⑦ "MV" = A valid MV was received from the MVS
 "BAD MV" = An MV message was received from the MVS, but the data was not valid.
 "NO MV" = No MV message was received from the MVS

The following alerts shall appear if the operator presses the LOAD or LAY keys and the tube transitions across the minimum quadrant elevation:

"MINIMUM QE VIOLATED" "ACK" - The gun tube has violated minimum QE entered by the operator.

"MINIMUM QE NO LONGER VIOLATED" "ACK" - The gun tube no longer violates the minimum QE entered by the operator.

L-4 AFCS Operating Controls and Indicators - Continued

A type 2 audio alert shall be generated until the “ACK” key is pressed.

06pc243t

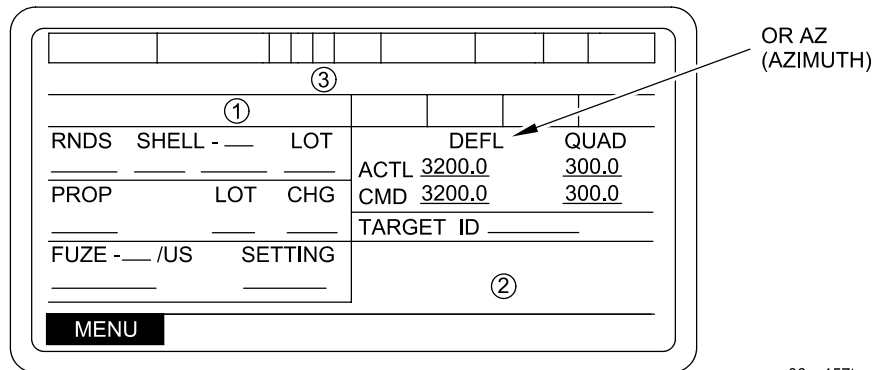
Listed below are the legal values for each field of the OTHER VOLLEY display:

- RNDS = 1..99
- SHELL = Shell model and mnemonic
- SHELL LOT = A..Z
- PROP = Propellant model
- PROP LOT = A..Z
- CHG = Propellant charge designator
- FUZE = Fuze model, country and mnemonic
- SETTING = Computed fuze setting, “PD” or “DELAY”

Instructions which could appear on the OTHER VOLLEY display:

- ① Blank field 1 = Fire mission is not a sheaf
- SHEAF PT = This gun is participating in a multi-gun sheaf
- SHEAF a/b = This gun is conducting a single gun sheaf where:
 - a = Current aimpoint number
 - b = Number of sheaf points

L-4 AFCS Operating Controls and Indicators - Continued



06pc157tc

Listed below are the legal values for each field of the SECTION IN ORDER display:

- RNDS = Number of rounds remaining to fire 0..99 or blank
- SHELL = Shell model and mnemonic or blank
- SHELL LOT = A..Z or blank
- PROP = Propellant model
- PROP LOT = A..Z or blank
- PROP CHG = Propellant charge designator (see Table L-1) or blank
- FUZE = Fuze mode and mnemonic
- FUZE SETTING = Computed fuze setting, "PD" or "DELAY"
- DEFL (or AZ) = 0.0..6399.9 mils
- QUAD = -200.0..+1600.0 mils
- TARGET ID = FPF/PRI target identification if a target exists; otherwise blank

Instructions and warnings which could appear on the SECTION IN ORDER display:

- ① Blank
- COMPUTING FPF/PRI
- NO FPF/PRI EXISTS
- UNABLE TO COMPUTE
- SECTOR VIOLATION
- MASK VIOLATION
- INSUFFICIENT AMMO
- NO FUZE INVENTORY
- NO PROJ INVENTORY
- NO PROP INVENTORY
- BAD PROJ LOT/MODEL
- NO AMMO INV COMBO
- INVALID AMMO COMBO
- INSUFFICIENT RANGE
- NO SOLUTION
- NOT FFE TYPE MISSION
- UNASSIGNED FPF/PRI
- TARGET TOO CLOSE
- TUBE EL VIOLATION

L-4 AFCS Operating Controls and Indicators - Continued

- ② SECTION IN ORDER AT FIRE POINT
SECTION IN ORDER WITHIN FIRE AREA
SECTION IN ORDER IN ROUTE POINT (Only displayed when the destination is not reached for a Fire Point or a Fire Area)
- ③ DO NOT MOVE/DO NOT LOAD
DO NOT MOVE
MOVES ALLOWED
MOVES ALLOWED/DO NOT LOAD

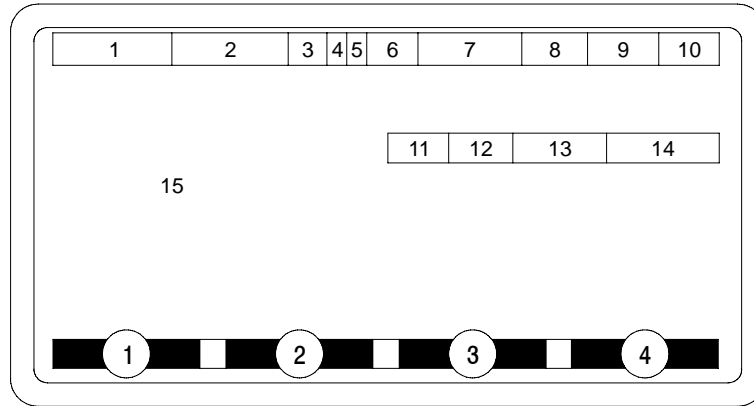
Table L-1 Charge Displayed Based on Propellant Model

Charge Displayed	Based on propellant model
3G, 4G, 5G	M3, M3A1, M3A1BG, M3C2, DM62
3G, 4G, 5G, 6G	MLE56
6W, 7W, 8W, 9W, 9BW	MLE69
3W, 4W, 5W, 6W, 7W	M4A1, M4A2, M4C3, M4C4, DM42, DM42B1, NM23
8	M119A1, EBO-5
7R	M119A2, M119A2BG, NR13C1
8R	M203
8S	M203A1
1L, 2L	M231
3H, 4H, 5H	M232

L-4 AFCS Operating Controls and Indicators - Continued

(16) Field 16, Function Key Label - This block is used to identify the function of the four soft keys.

Soft key messages and task actions are also displayed in this area to give the AFCS operator a means of keeping track of various AFCS related actions during AFCS operation. Typical messages are shown below:



06pc088m

- | | |
|--|---|
| <p>① Function Key 1, indicates what may appear in this field.
 SELECT
 NEXT MSG
 +/-
 MARK
 ADJ
 PREV
 MENU
 VERIFY
 PREV</p> | <p>③ Function Key 3, indicates what may appear in this field.
 CHECK
 DELETE
 YES
 USE GPS
 EMPLACE
 STEERTO
 FFE2
 SEND
 CLEAR
 EXPECTED</p> |
| <p>② Function Key 2, indicates what may appear in this field.
 USE ALL
 FINISHED
 NEXT PAGE
 +/-
 FINISHED
 USE LOCAL
 FFE1
 INVENTORY
 ARRIVED
 UPDATE EFC
 CLEAR</p> | <p>④ Function Key 4, indicates what may appear in this field.
 CANCEL
 ACK
 EOM
 NO
 CONTINUE
 MOVING
 EXIT
 ABORT</p> |

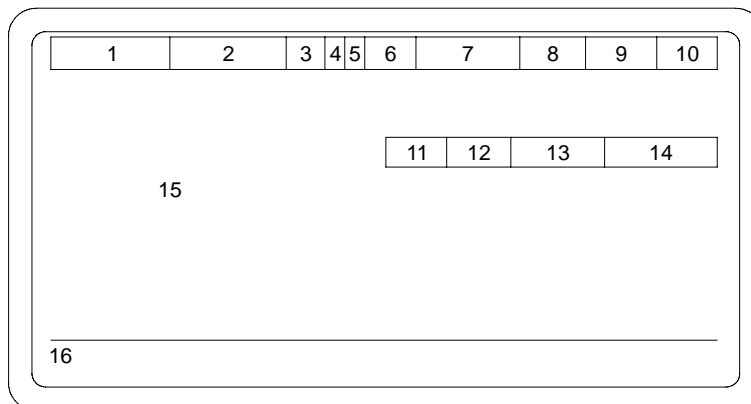
L-4 AFCS Operating Controls and Indicators - Continued

HIGH PRIORITY MESSAGES

- “AFCS CHECKFIRED”, “ACK”
- “FIRE MISSION RECEIVED”, “ACK”
- “POWER FAILURE SHUTDOWN”, “ACK”
- “ON AUX POWER START VEHICLE”, “ACK”
- “AUX BATTERY NOT CONNECTED”, “ACK”
- “VEHICLE AND AUX POWER OK”, “ACK”
- “NAV OUT-NSP POWER UP BIT”, “ACK”
- “NAV EXCESSIVE RATE RESTART REQ”, “ACK”
- “ALIGN ABORTED RESTART REQD”, “ACK”
- “MAP UPDATED NAV UPDT REQUIRED”, “ACK”
- “MAP/NAV CONFLICT UPDATE NAV”, “ACK”
- “OVERRIDE AZ LIMITS”, “YES”, “NO”
- “NAV OUT-DRU BIT FAIL”, “ACK”
- “NAV OUT-DRU DISCONNECT”, “ACK”
- “NAV OUT-NSP DISCONNECT”, “ACK”
- “AUX POWER LOW”, “ACK”
- “FIRE MISSION RCVD”, “ACCEPT”, “REJECT”
- “MAP DATUM UPDATE REQUIRED”, “ACK”
- “NAV OUT-DRU INERTIAL FAIL”, “ACK”
- “NAV OUT-DRU OP FAIL”, “ACK”
- “AFCS FIRE CONTROL ALIGNMENT REQD”, “ACK”

LOW PRIORITY MESSAGES

- “INVALID SOFTWARE CONFIGURATION”, “ACK”
- “NAV POS UPDATE REQUIRED”, “ACK”
- “NAV POS UPDATE NO LONGER REQ”, “ACK”
- “ZUPT REQUIRED”, “ACK”
- “ZUPT NO LONGER REQUIRED”, “ACK”
- “MOTION DURING POS UPDATE”, “ACK”
- “POS UPDATE INTERRUPTED”, “ACK”
- “POS UPDATE N/E EXCESSIVE”, “ACK”
- “POS UPDATE N/E RJTD”, “ACK”
- “POS UPDATE ALTITUDE EXCESSIVE”, “ACK”
- “POS UPDATE ALTITUDE RJTD”, “ACK”
- “NAV RESTART RJTD VEH MOVING”, “ACK”

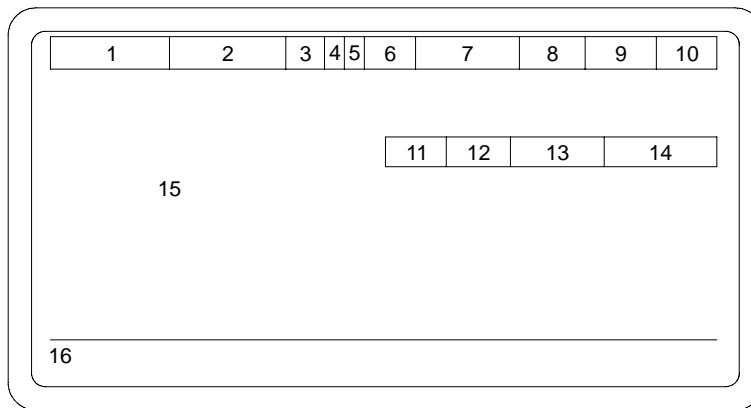


06pc088m

L-4 AFCS Operating Controls and Indicators - Continued

LOW PRIORITY MESSAGES - CONTINUED

"NET ADDR RJTD NEW SUBSBR FILE", "ACK"
 "INVALID OPERATIONAL MODE", "ACK"
 "NET CONFG UPDTE RJTD FM ACTIVE", "ACK"
 "NET ADDR UPDTE RJTD FM ACTIVE", "ACK"
 "NAV RESTART RJTD FM ACTIVE", "ACK"
 "UPDATE RJTD WRONG NAV MODE", "ACK"
 "CLOCK UPDATE RJTD FM ACTIVE", "ACK"
 "NAV RESTART RJTD BAD POS", "ACK"
 "WPN OUT", "ACK"
 "WC SUBSYSTEM OUT", "ACK"
 "TUBE TEMP SENSOR OUT", "ACK"
 "COMMO OUT", "ACK"
 "NETWORK COMMO OUT", "ACK"
 "PDIU OR PDIU BUS OUT", "ACK"
 "POS UPDATE RJTD BAD POS", "ACK"
 "POS UPDATE RJTD HOWITZER MOVG", "ACK"
 "POS UPDATE RJTD FM ACTIVE", "ACK"
 "POS UPDATE RJTD VEH MOTION", "ACK"
 "RESTART RJTD NAV OUT", "ACK"
 "POS UPDATE RJTD WRONG NAV MODE", "ACK"
 "NET BUSY AMMO", "RETRY", "NO RETRY"
 "NET BUSY REQ AMMO", "RETRY", "NO RETRY"
 "NET BUSY CHECKFIRE", "RETRY", "NO RETRY"
 "NET BUSY DESIGNATE", "RETRY", "NO RETRY"
 "NET BUSY FREE TEXT", "RETRY", "NO RETRY"
 "NET BUSY VEH STS", "RETRY", "NO RETRY"
 "NET BUSY REQ VEH STS", "RETRY", "NO RETRY"
 "NET BUSY REQ INT", "RETRY", "NO RETRY"
 "NET BUSY SITE DATA", "RETRY", "NO RETRY"
 "NET BUSY REQ SITE", "RETRY", "NO RETRY"
 "NET BUSY REQ MOV ORD", "RETRY", "NO RETRY"
 "NET BUSY MTO TOF", "RETRY", "NO RETRY"
 "NET BUSY MTO DENY", "RETRY", "NO RETRY"
 "POSITION UPDATE RJTD NAV OUT", "ACK"

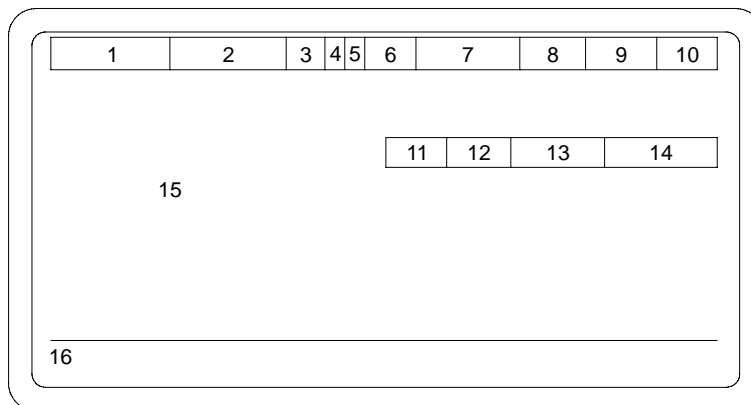


06pc088m

L-4 AFCS Operating Controls and Indicators - Continued

LOW PRIORITY MESSAGES - CONTINUED

"NET BUSY READY", "RETRY", "NO RETRY"
 "NET BUSY ROUND COMP", "RETRY", "NO RETRY"
 "NET BUSY SHOT", "RETRY", "NO RETRY"
 "NET BUSY SPLASH", "RETRY", "NO RETRY"
 "NET BUSY TARGET FILE", "RETRY", "NO RETRY"
 "NET BUSY UTE BAT", "RETRY", "NO RETRY"
 "NO ACK AMMO", "RETRY", "NO RETRY"
 "NO ACK REQ AMMO", "RETRY", "NO RETRY"
 "NO ACK CHECK FIRE", "RETRY", "NO RETRY"
 "NO ACK DESIGNATE", "RETRY", "NO RETRY"
 "NO ACK FREE TEXT", "RETRY", "NO RETRY"
 "NO ACK VEH STS", "RETRY", "NO RETRY"
 "NO ACK REQ VEH STS", "RETRY", "NO RETRY"
 "NO ACK VEH INIT", "RETRY", "NO RETRY"
 "NO ACK SITE DATA", "RETRY", "NO RETRY"
 "NO ACK REQ SITE DATA", "RETRY", "NO RETRY"
 "NO ACK REQ MOVE ORD", "RETRY", "NO RETRY"
 "NO ACK MTO TOF", "RETRY", "NO RETRY"
 "NO ACK MTO DENY", "RETRY", "NO RETRY"
 "NO ACK READY", "RETRY", "NO RETRY"
 "NO ACK ROUND COMP", "RETRY", "NO RETRY"
 "NO ACK SHOT", "RETRY", "NO RETRY"
 "NO ACK SPLASH", "RETRY", "NO RETRY"
 "NO ACK TARGET FILE", "RETRY", "NO RETRY"
 "NO ACK UTE BAT", "RETRY", "NO RETRY"
 "PDIU WARNING RECEIVED", "ACK"

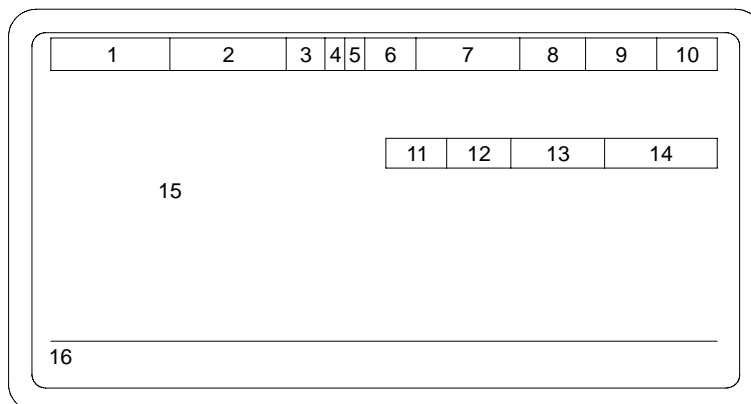


06pc088m

L-4 AFCS Operating Controls and Indicators - Continued

LOW PRIORITY MESSAGES-CONTINUED

"PROP TEMP UPDATE PENDED", "ACK"
 "AMMO INVENTORY UPDATE PENDED", "ACK"
 "SITE DEFINITION UPDATE PENDED", "ACK"
 "DIRECT FIRE RJTD NAV NOT INIT", "ACK"
 "DIRECT FIRE RJTD WPN OUT", "ACK"
 "DIRECT FIRE RJTD OUTSIDE MAP", "ACK"
 "DIRECT FIRE RJTD MAP PENDING", "ACK"
 "DIRECT FIRE RJTD IN CHECKFIRE", "ACK"
 "DIRECT FIRE RJTD FM ACTIVE", "ACK"
 "MANUAL COMMANDS RJTD FM ACTIVE", "ACK"
 "MANUAL COMMANDS RJTD CHECKFIRE", "ACK"
 "SIMULATED NAV FAILURE", "CLEAR"
 "SIMULATED ELECTRICAL FAILURE", "CLEAR"
 "SIMULATED HYDRAULIC FAILURE", "CLEAR"
 "SIMULATED COMMO FAILURE", "CLEAR"
 "SIMULATED WPN FAILURE", "CLEAR"
 "SIMULATED NAV FAILURE", "ACK"
 "SIMULATED ELECTRICAL FAILURE", "ACK"
 "SIMULATED HYDRAULIC FAILURE", "ACK"
 "SIMULATED COMMO FAILURE", "ACK"
 "SIMULATED WPN FAILURE", "ACK"
 "SIMULATED FAILURES CLEARED", "ACK"
 "MOVE RJTD DEST NOT IN MAP", "ACK"
 "MOVE RJTD NO MAP", "ACK"
 "MOVE RJTD MAP PENDING", "ACK"
 "PRESS ACK WHEN TUBE STOWED", "ACK"
 "VEHICLE MOTION SENSOR OUT", "ACK"

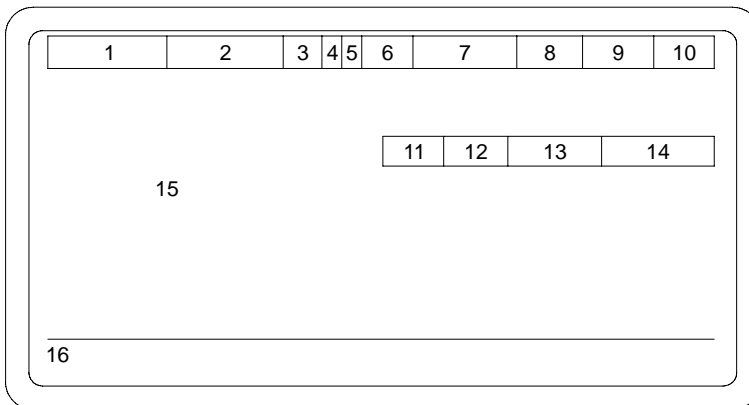


06pc088m

L-4 AFCS Operating Controls and Indicators - Continued

LOW PRIORITY MESSAGES-CONTINUED

- "DIRECT FIRE RJTO TGT COMP ERR", "ACK"
- "NO BALLISTIC SOLUTION", "ACK"
- "PROP TEMP UPDATE REQUIRED", "ACK"
- "VEHICLE MOTION SENSOR GOOD", "ACK"
- "DRU OVERTEMP", "ACK"
- "DRU NO LONGER OVERTEMP", "ACK"
- "ZONE BOUNDARY CROSSED", "ACK"
- "OK TO MOVE OR SHOOT", "ACK"
- "EMBEDDED TRAINING OUT", "ACK"
- "GPS OUT - PLGR DISCONNECT", "ACK"
- "GPS CONNECTED", "ACK"
- "GPS OUT - PLGR FAILED", "ACK"
- "GPS OPERATIONAL", "ACK"
- "GPS ANTENNA FAULT", "ACK"
- "GPS ANTENNA OK", "ACK"
- "PLGR UNKEYED", "ACK"
- "INP/GPS DELTA TOO LARGE", "ACK"
- "INP/GPS N/E EXCESSIVE", "ACK"
- "INP/GPS N/E REJECTED", "ACK"
- "INP/GPS ALT EXCESSIVE", "ACK"
- "INP/GPS ALT REJECTED", "ACK"
- "POSITION UPDATE BEYOND ZONE", "ACK"
- "BORESIGHT UPDT RJTD VEH MOVING", "ACK"
- "RESTART REQUIRED", "ACK"
- "POSITION UPDATE REQUIRED", "ACK"
- "DRU CONNECT", "ACK"
- "INSUFFICIENT Y CODE SVS", "ACK"



06pc088m

L-5 DC POWER MESSAGES.

Three Auxiliary Power messages can appear on any menu being displayed on the DU panel. Operator actions for any message will be the same regardless of the menu on which it is displayed.

L-5.1 On Auxiliary Power.

If vehicle battery voltage drops to a point below that needed by the Power Conditioner Unit (PCU) to operate the AFCS, the PCU will automatically switch to auxiliary power (backup batteries) to maintain AFCS operation. When the switch to auxiliary power occurs, an audible alert will be sounded over the intercom, and a visual alert will be displayed at the bottom of the menu.



Prolonged operation on auxiliary power may cause the AFCS to shut down automatically.

At this time, the vehicle engine must be started to recharge the vehicle batteries.

The operator must press the soft key under ACK to silence the audible alarm and eliminate the message.

RNDS SHELL-____ LOT			DEFL	QUAD	
____	____	____	ACTL	3200.0	300.0
PROP	LOT	CHG	CMD	3200.0	300.0
____	____	____	TARGET ID	____	
FUZE - ____/US		SETTING			
____		____			
ON AUX POWER START VEHICLE				ACK	

06pc157td

L-5 DC Power Messages - Continued

L-5.2 Auxiliary Power Not Available.

If the auxiliary power batteries are not functional (e.g., low, damaged, or disconnected), a visual alert will be displayed at the bottom of the menu.

The operator must press the soft key under ACK to eliminate the message. At this time, the vehicle engine must be started and kept running to ensure AFCS operation until auxiliary power is restored.

NOTE

This message can also appear during BIT.

RNDS SHELL-___ LOT					DEFL		QUAD		
___					ACTL		3200.0		300.0
PROP			LOT CHG		CMD		3200.0		300.0
___					TARGET ID ___				
FUZE - ___/US					SETTING				
___					___				
AUX BATTERY NOT CONNECTED					ACK				

06pc158ta

L-5.3 Vehicle and Auxiliary Power OK.

When the vehicle battery voltage rises sufficiently, the PCU will automatically switch to vehicle power. When the switch occurs, a visual alert is displayed at the bottom of the menu as shown below.

The operator must press soft key under ACK to eliminate the message.

RNDS SHELL-___ LOT					DEFL		QUAD		
___					ACTL		3200.0		300.0
PROP			LOT CHG		CMD		3200.0		300.0
___					TARGET ID ___				
FUZE - ___/US					SETTING				
___					___				
VEHICLE AND AUX POWER OK					ACK				

06pc159ta

L-6 AFCS INITIALIZATION.

L-6.1 System Power-Up.

WARNING

When operating the PLGR on external power with BA-5800 lithium battery installed, the battery may explode. Ensure battery is removed before connecting power cable to prevent serious injury or death.

NOTE

- M93 MVS must be installed and connected prior to turning the vehicle MASTER power switch ON.
 - PLGR should be installed and powered prior to turning on the DU of the AFCS in order for the AFCS to use the PLGR data.
 - The following steps must be completed prior to POWERING UP and INITIALIZATION of the AFCS.
- a. Outside the howitzer:
 1. Left front drive sprocket must be within 1 meter of SCP.
 2. Gun tube in travel lock.
 3. M93 Chronograph connections verified.
 4. FM VOICE/DIGITAL Radio antennas are properly mounted, cables and ground connections verified.
 5. PLGR antenna cable connections verified.
 - b. Inside the howitzer:
 1. Turret lock in "LOCKED" position.
 2. 1553 BUS terminator connection verified.
 3. PLGR ground connection verified.
 4. PLGR installed.
 5. Set MASTER switch to ON.
 6. Ensure 10 PCU switches are ON.
 7. Turn PLGR ON, FILL verified.
 8. Turn radios ON, and perform VOICE radio check.
 9. Idle engine at 1000 to 1200 RPMs.
 10. Make sure TRAINING switch on DU is OFF.

L-6 AFCS INITIALIZATION - Continued

L-6.1 System Power-Up - Continued

With the PLGR in the PLGR mount and all external cables attached, press the ON/BRT key on the PLGR key pad. The PLGR should power up automatically and perform its self-test (BIT). Operate the PLGR in accordance with the PLGR TM 11-5825-291-13.

If the PLGR does not have a current key (i.e. the PLGR was previously “zeroized”, newly installed or the key has expired), then load a valid key in accordance with the PLGR TM 11-5825-291-13, Section 3.6.

NOTE

To load a key, the DRUH must be off, or the P4 DRUH-PLGR Signal Connector must be disconnected to cause a PLGR COM FAIL. Simple re-attachment of P4 DRUH-PLGR Signal Connector after PLGR keying will automatically cause DRUH-PLGR communications to resume if DRUH is on.

If the PLGR antenna has a clear view of the sky, turn PLGR on.

If the antenna’s view of the sky is blocked (e.g. the vehicle is in a building, under tree cover or parked next to a large structure), move vehicle until the PLGR antenna is clear.

If the vehicle cannot be moved, keep PLGR turned off until the vehicle can be moved to a location with a clear view of the sky.

NOTE

- If the PLGR is off, the Navigation System will still accept initialization data from the AFCS for inertial operation and the Navigation System will operate as before.
 - Guidelines for conditions and times for the PLGR to obtain position data acceptable by the AFCS.
- c. If the antenna has a clear view of the sky and PLGR has a valid position, current GPS time, current GUV key, and has stored a current satellite almanac, PLGR will be acceptable for use in about 3 minutes following the first turn-on of the day. It will take about 90 seconds for subsequent turn-ons. These are the normal operating conditions.
- d. If the antenna has a clear view of the sky and PLGR has a current GUV key but PLGR doesn’t have a valid position, current GPS time, or current satellite almanac, it may take up to 20 minutes after turn-on for the PLGR to output data of acceptable accuracy.

L-6 AFCS INITIALIZATION - Continued

L-6.1 System Power-Up - Continued

- e. If the PLGR has a valid position, current GPS time, current key, and current satellite almanac, but the antenna is masked from a clear view of the sky when PLGR is turned on, it may take up to 20 minutes to get acceptable data after the vehicle is moved to a location with a clear view of the sky. This results from the PLGR initiating a search for all possible satellites if it can't lock on to those expected, for its current position, time, and almanac, within a reasonable time interval.
- f. If the PLGR doesn't have a current key, its data won't be acceptable for use by the AFCS. However, assuming a clear view of the sky, it can be turned on to initialize position, time, and satellite almanac in about 20 minutes. Then when a valid key is located, the PLGR will be ready to go within three minutes.

NOTE

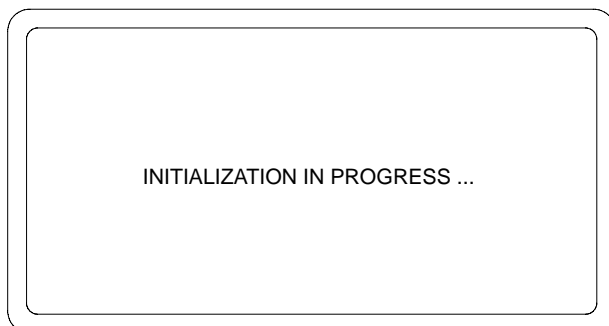
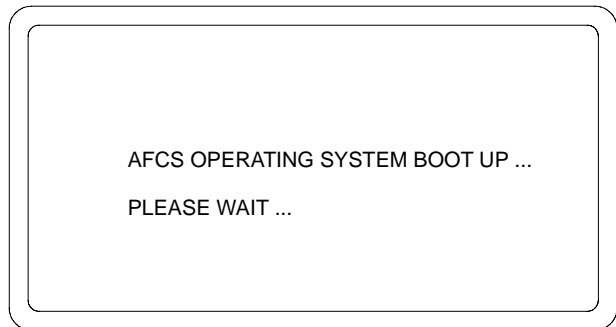
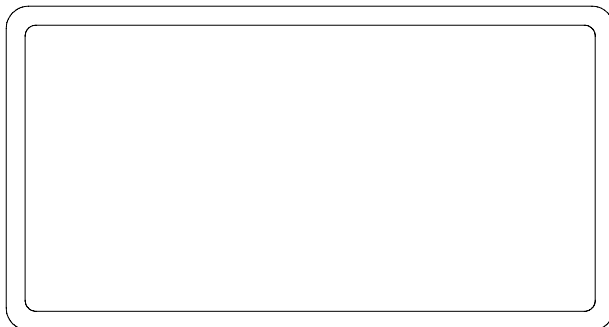
M93 MVS must be installed and connected prior to turning the vehicle MASTER power switch ON.

Make sure TRAINING switch on DU is OFF. Set POWER switch on DU to ON. When power is first applied to the AFCS, the display will be blank and the AFCS will automatically perform its internal self-test (BIT). Next a screen will be displayed with this message "AFCS OPERATING SYSTEM BOOT UP . . . PLEASE WAIT" . . . , followed by an "INITIALIZATION IN PROGRESS. . ." screen.

NOTE

- The time lapse between first three screens can range from 3 to 5 minutes.
- If screen stays blank for more than 7 minutes, power down system.

A SYSTEM VERIFICATION FAILURE screen may be displayed only if there is an incompatibility between hardware and software.



06pc414ma

L-6 AFCS INITIALIZATION - Continued

L-6.1 System Power-Up - Continued

After the AFCS powers up, the PLGR screen should read:

REMOTE CONTROL
 Only ZEROIZE key
 activated

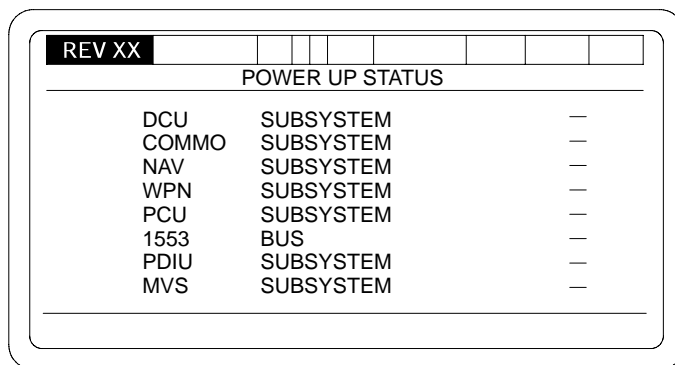
At this point the PLGR key pad will become inactive. The only PLGR operation allowed using the key is EMERGENCY ZEROIZE.

If this message is not displayed on the PLGR screen, and the Low Priority Message "GPS OUT - PLGR DISCONNECTED" is not displayed on the DU, ensure that the DRUH-PLGR Signal Connector (P4) plug on the W17A Cable is connected and secure. Once this PLGR screen is displayed, proceed with system initialization.

NOTE

- NAV SUBSYSTEM includes: VMS, DRUH, VMS Modems
- PCU SUBSYSTEM includes: PCU and both Back-up Batteries.
- The switches on the PCU are circuit breakers. They should be left ON at all times, so they will not wear out from being turned off and on constantly.

This screen displays the subsystems that are checked by BIT. As the subsystems are checked, the dashed lines will change to a subsystem status (OK, DEGRADED, OUT, - -). The - - appears on the MVS status line when the AFCS could not be connected to the MVS. This screen also identifies the system software version.



06pc071m

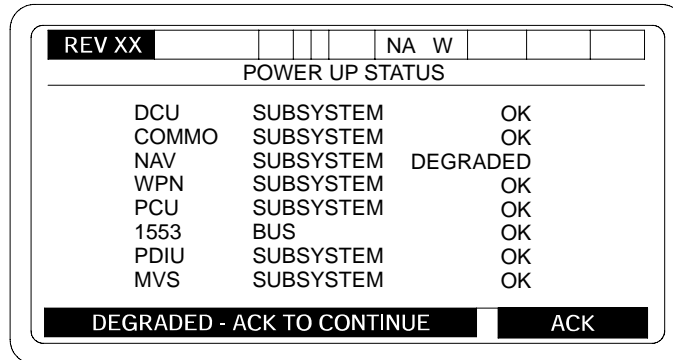
L-6 AFCS INITIALIZATION - Continued

L-6.1 System Power-Up - Continued

In the event of a failure during POWER UP STATUS, the message “DEGRADED - ACK TO CONTINUE” will be displayed on the bottom line of the EL Panel. To continue, depress soft key under ACK. After the self-test is complete, SELECT OPERATIONAL MODE menu is displayed.

NOTE

If all systems are OK, the screen below will not be shown.

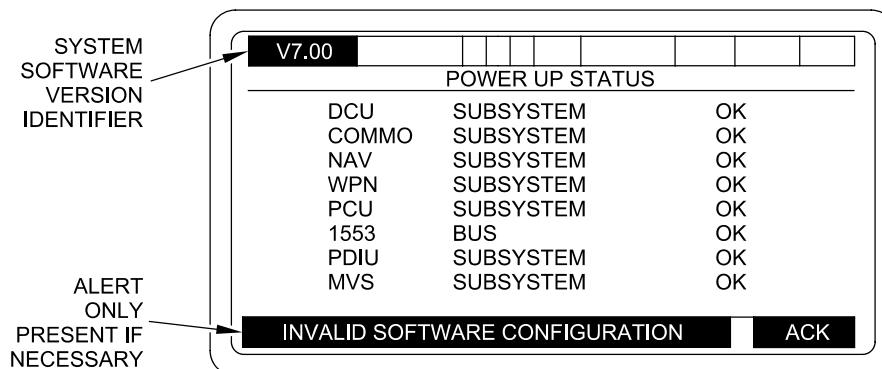


06pc072m

NOTE

If DCU contains an incorrect configuration, the AFCS will not allow the operator to select normal operations until a correct DCU software configuration is downloaded.

When configuration verification checking indicates that the executed software configuration is not the same as the acquired software configuration, a short error message “INVALID SOFTWARE CONFIGURATION”, “ACK” will appear on the soft key label line of the DU.

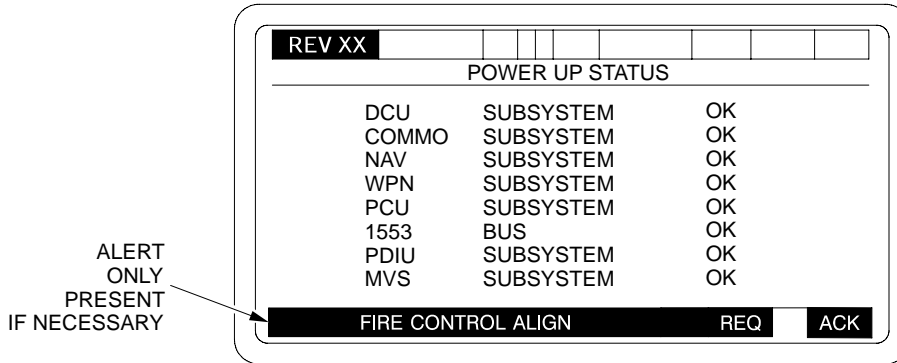


06pc245t

L-6 AFCS INITIALIZATION - Continued

L-6.2 Initializing.

When a Fire Control Alignment is required by the AFCS, the alert “FIRE CONTROL ALIGN” “REQ”, “ACK” will appear on the soft key label line of the DU. This alignment must be accomplished before INITIALIZATION of the AFCS can be completed. If a full Fire Control Alignment including SYSTEM RESTART or Power Cycle is not completed when it is requested, the DU FAULT lamps and ACU BIT lamp will illuminate and remain lit.



06pc073ma

When the message is acknowledged, the AFCS will proceed to the “SELECT OPERATIONAL MODE” menu. To view detailed software configuration information for each LRU, MAINTENANCE should be selected, IAW procedure in para L-9.1.

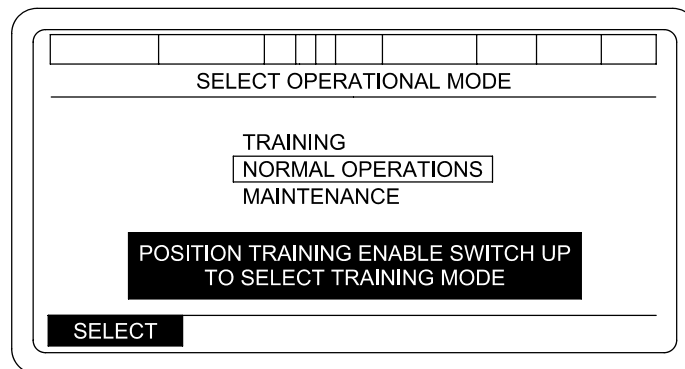
NOTE

After an orderly shutdown, go to para L-6.3. However, if a catastrophic failure happens within the system, follow the procedures below.

When initializing the AFCS, communications parameters (NETWORK setup display) are entered to establish digital communications. Data to align the navigation system to a known location must also be entered at initialization. Other data to establish date/time, ammunition supply and propellant temperature, TOT response time, load elevation, and sector of fire must be entered before the initialization process is complete. All this data is input during NORMAL OPERATIONS Mode which is selected from the SELECT OPERATIONAL MODE menu.

NOTE

It is possible that an ALERT(S) may appear on the bottom line of the SELECT OPERATIONAL MODE screen. To continue, press the “ACK” soft key.



06pc094ma

L-6 AFCS INITIALIZATION - Continued

L-6.2 Initializing - Continued

- a. Mode Selection. Set TRAINING ON/OFF switch to OFF when selection other than TRAINING is required. Box in NORMAL OPERATIONS mode. Press SELECT key. NETWORK menu will be displayed. The operator has the option of storing up to six NETWORK configurations.
- b. NETWORK display. Upon initialization of a previously configured AFCS, the display lists all previously configured network configurations.

Initialization of a virgin AFCS, all Communications Configurations, "CFG", shall be set to "___" and all other columns will be blank.

Only one network configuration will be active at any one time. The active configuration is identified by the label "**ACTIVE*" in the "STATUS" column.

NETWORK					
CFG	STATUS	DEVICE	BAUD	COMSEC	MODE
8	*ACTIVE*	SINGGARS	4800N	CT	FH
---	---	---	---	---	---

SELECT FINISHED VIEW

06pc321t

TACFIRE configurations will not display anything in the "COMSEC" and "MODE" columns of the NETWORK screen.

188-220 communications configurations identify the Device, Baud Rate, COMSEC and Mode. 188-220 configurations with any customized values identify the Device as "CUSTOM/R" for Radio and "CUSTOM/W" for Two-Wire.

The AFCS will not reorder network configurations as a result of deletions.

The "FINISHED" and "VIEW" soft keys are not visible unless at least one configuration is defined.

NETWORK					
CFG	STATUS	DEVICE	BAUD	COMSEC	MODE
3		SINGGARS	4800N	CT	FH
6		SINGGARS	1200N	CT	FH
6	*ACTIVE*	CUSTOM/R	1200N	CT	FH
10		CUSTOM/W	32000	PT	SC
0		TACFIRE	1200		
8		CUSTOM	9600N	CT	FH

SELECT FINISHED VIEW

06pc322t

L-6 AFCS INITIALIZATION - Continued

L-6.2 Initializing - Continued

Soft key sequencing shall be as follows:

- **SELECT** - If the highlighted configuration was previously defined, control transitions to NETWORK SETTINGS-SELECT CONFIGURATION OPTION display. If the highlighted configuration has not been defined, control transitions to NETWORK SETTINGS-STANDARD COMMUNICATION CONFIGURATION display.
- **FINISHED** - When the operator presses the "FINISHED" soft key, the AFCS stores all defined network configurations and control transitions to Normal Operational Initialization Display.
- **VIEW** - When the "VIEW" soft key is pressed and the currently selected network configuration has been defined, control transitions to the NETWORK SETTINGS display. If the currently selected network configuration has not been defined, the "VIEW" soft key is inactive.
- **CANCEL** - When the "CANCEL" soft key is pressed, any defined configuration values are discarded.

NETWORK SETTINGS
SELECT CONFIGURATION OPTION

MODIFY
COPY

SELECT CANCEL

NETWORK SETTINGS
STANDARD COMMUNICATION CONFIGURATION

MORE ABOVE

5	SINGARS	1200N	NRZ	CT	SC
6	SINGARS	1200N	NRZ	CT	FH
7	SINGARS	2400N	NRZ	CT	FH
8	SINGARS	4800N	NRZ	CT	FH
9	2 - WIRE	1200	FSK -C	PT	SC
10	2 - WIRE	32000	CDP	PT	SC

SELECT CANCEL

06pc320t

L-6 AFCS INITIALIZATION - Continued

L-6.2 Initializing - Continued

c. Standard Communications Configurations.

NOTE

- If the Communication Configuration is not defined in NETWORK display, then configuration #8 will be the default boxed selection.
- If the Communication Configuration is defined in NETWORK display, then that configuration number is the default boxed selection.

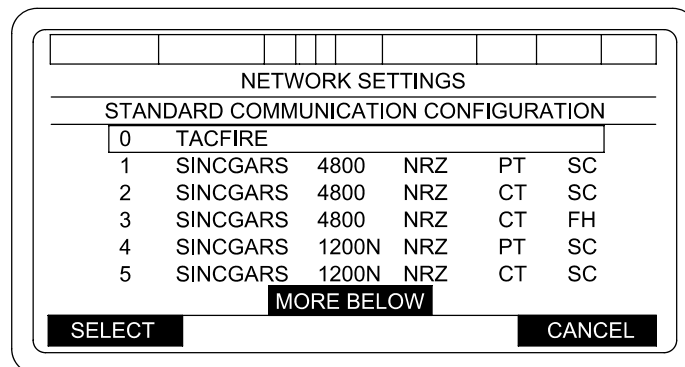
(1) AFCS supports the following 11 predefined communications configurations:

Table L-2 Network Configurations

CONFIGURATION MODE	DEVICE	BAUD RATE	COMSEC	MODE	MODULATION
0	TACFIRE	4800	-----	-----	NRZ
1	Sincgars	4800	PT	SC	NRZ
2	Sincgars	4800	CT	SC	NRZ
3	Sincgars	4800	CT	FH	NRZ
4	Sincgars	1200N	PT	SC	NRZ
5	Sincgars	1200N	CT	SC	NRZ
6	Sincgars	1200N	CT	FH	NRZ
7	Sincgars	2400N	CT	FH	NRZ
8	Sincgars	4800N	CT	FH	NRZ
9	2-Wire	1200	PT	SC	FSK-C
10	2-Wire	32000	PT	SC	CDP

(2) Soft key sequencing shall be as follows:

- **SELECT** - Selects the currently boxed selection. If the currently boxed selection is Communication Configuration 0, control transitions to TACFIRE NETWORK SETTINGS. If the currently boxed selection is Communication Configuration 1 to 10, control transitions to 188-220 NETWORK SETTINGS.
- **CANCEL** - If the operator presses CANCEL, the current display transitions to the previous display.



06pc319t

L-6 AFCS INITIALIZATION - Continued

L-6.2 Initializing - Continued

d. Network Settings-Select Configuration Option.

- (1) Soft key sequencing shall be as follows:
 - **SELECT** - Selects the currently boxed selection. Transition of control depends upon the selected menu.
 - **CANCEL** - Allows the operator to discard any changes made. When pressed, any changes made to the current network configuration is discarded and control transitions to NETWORK display.
- (2) **MODIFY** selection - Allows the operator to modify the current network configuration. If the current protocol is 188-220, then control transitions to 188-220 NETWORK SETTINGS. If the current protocol is TACFIRE, then control transitions to TACFIRE NETWORK SETTINGS.
- (3) **SET ACTIVE** Selection

NOTE

SET ACTIVE selection will not be displayed if the current configuration is active.

This selection allows the operator to set the current network configuration as the ACTIVE configuration. The following operator prompts are displayed: "SET ACTIVE" "YES" "NO"
If NO is selected, no changes will be made.

If YES is selected, then the display will transition as follows:

If the current protocol is TACFIRE, then control shall transition to TACFIRE NETWORK SETTINGS.
If the current protocol is 188-220, then control shall transition to display 188-220 NETWORK SETTINGS CONFIGURATION.

- (4) **COPY** selection

NOTE

COPY selection will not be displayed if all six network configurations have been defined.

Allows the operator to copy the current configuration into the first empty network configuration. The following operator prompt shall be displayed:

"USE ALL AND COPY?" "YES" "NO"

If NO is selected, no changes will be made.

If YES is selected, the current configuration copies into the first undefined network configuration. Control then transitions to the NETWORK display.

NETWORK SETTINGS
SELECT CONFIGURATION OPTION

MODIFY

COPY

SELECT CANCEL

NETWORK SETTINGS
SELECT CONFIGURATION OPTION

MODIFY

SET ACTIVE

COPY

DELETE

SELECT CANCEL

06pc318t

L-6 AFCS INITIALIZATION - Continued

L-6.2 Initializing - Continued

(5) DELETE selection

NOTE

DELETE selection will not be displayed if the current configuration is the active configuration.

Allows the operator to delete the current network configuration. The following message shall be displayed:

“DELETE NETWORK?” “YES” “NO”

If NO is selected, no changes will be made.

If YES is selected, the current configuration is deleted and control transitions to the NETWORK display.

The screenshot shows a terminal-style interface for 'NETWORK SETTINGS'. At the top, there is a status bar with 'NORMAL' on the left and 'C' on the right. Below this, the title 'NETWORK SETTINGS' is centered. Underneath the title is a horizontal line, followed by the instruction 'SELECT CONFIGURATION OPTION'. Another horizontal line follows. The menu options are listed in the center: 'MODIFY', 'SET ACTIVE', 'COPY', and 'DELETE'. The 'DELETE' option is enclosed in a rectangular box. At the bottom of the screen, there are two buttons: 'SELECT' on the left and 'CANCEL' on the right.

06pc317t

e. Network Settings-188-220C Protocol.

NOTE

- Each selection that requires configuration is marked with an asterisk. The default boxed shall be the first asterisked selection. If there are no asterisked selections, the default boxed selection is Net Type when the display is entered.
- The following values are required: “Net Type” and “Edit Addresses”. If the “Net Type” is not defined, the “Edit Addresses” selection shall not be visible to the operator. The address definition depends on the “Net Type” value.
- If the “Configuration Mode” is set to “Basic”, the “Advanced Settings” selection will not be visible. If the “Configuration Mode” is set to “Advanced” and any “Advanced Settings” have been customized, the “Communication Configuration” value will be displayed as “CUSTOM-XX” where “XX” is the original Communication Configuration number.

L-6 AFCS INITIALIZATION - Continued

L-6.2 Initializing - Continued

SELECT soft key when the following selection is boxed:

188 - 220 NETWORK SETTINGS									
COMMUNICATION CONFIGURATION								8	
NET TYPE								4	
EDIT ADDRESSES									
NUMBER OF STATIONS								10	
USE NET BUSY DETECT								YES	
INTRANET RELAYER								DISABLED	
N - LAYER PASS THROUGH								FDC ONLY	
CONFIGURATION MODE								BASIC	
SELECT		USE ALL		VIEW		CANCEL			

06pc316t

- (1) Communication Configuration selection - Allows the operator to change the current Communication Configuration. The following message shall be displayed:
 "CHANGE COMM CONFIG?" "YES" "NO".
 If NO is selected, no changes will be made.
 If YES is selected, the NETWORK SETTINGS-STANDARD COMMUNICATION CONFIGURATION screen will be displayed.
- (2) Net Type Selection - Prompts the operator to enter a value for the "NET TYPE". The valid range is 0 TO 255.
 If the "Net Type" is modified and the "Configuration Mode" is set to "Advanced", then default subscriber addresses shall be updated.
 If any address becomes a duplicate of another address as a result of changing the "Net Type", the following message will be displayed:
 "DUPLICATE IP ADDRESS" "ACK"
 If a duplicate address is detected, the "Edit Addresses" selection is marked with an asterisk.
- (3) Edit Addresses selection - Allows the operator to modify the network addresses. If the "Configuration Mode" is set to "Basic", then control transitions to 188-220 Network Addresses (Basic). If the "Configuration Mode" is set to "Advanced", then control transitions to 188-220 Network Addresses (Advanced).

NORMAL									C
	URN						RANK		
PALADIN	1	2	3	4	5	6	7		22
FDC(P)		5	6	4	7	3			2
FDC(B)	-----						---		
SUB(1)	-----						---		
SUB(2)	-----						---		
SUB(3)	-----						---		
CONTROL		FDC (P)							
SELECT		USE ALL		DELETE		CANCEL			

06pc315t

L-6 AFCS INITIALIZATION - Continued

L-6.2 Initializing - Continued

- (4) Number of Stations selection - Prompts the operator to enter a value for "NUMBER OF STATIONS". The valid range is 2 to 31 for previously undefined configurations. If the configuration has been previously defined, the valid range shall be XX to 31 where XX is equal to the highest current Rank that was selected.
- (5) Use Net Busy Detect selection - If the installed TCIM is not capable of performing Net Busy Detection function, the following message shall be displayed:
 "NOT SUPPORTED BY THIS TCIM" "ACK".
 If the installed TCIM supports Net Busy Detect and allows the operator to select either "YES" or "NO" by pressing the SELECT soft key.
 If Use Net Busy Detect is modified when the Configuration Mode is set to "Advanced", then the value of Busy Detect Override will be set to default value for current settings of Device, COMSEC, Mode, Modulation, Baud Rate and EDC.

06pc314t

- (6) Intranet Relay selection - Control transitions to a screen titled "188-220 NETWORK SETTINGS - INTRANET RELAYER" and allows the operator to select either "Enabled" or "Disabled" by pressing the SELECT soft key.

06pc313t

L-6 AFCS INITIALIZATION - Continued

L-6.2 Initializing - Continued

- (7) N-Layer Pass Through selection - Control transitions to 188-220 NETWORK SETTINGS - N-LAYER PASS THROUGH and allows the operator to select "FDC Only" "Enabled" or "Disabled" by pressing the SELECT soft key.

06pc312t

- (8) Configuration Mode selection

If the current Configuration mode is set to "Basic", the following **WARNING** screen is displayed:

06pc310t

If the operator presses "YES", Configuration Mode changes to "Advanced".
If the operator presses "NO", Configuration Mode remains set to "Basic".

If the current Configuration Mode is set to "Advanced", the following **WARNING** screen is displayed:

06pc311t

If the operator presses "YES", the "Configuration Mode" shall be changed to "Basic".
If the operator presses "NO", the "Configuration Mode" shall remain set to "Advanced".

L-6 AFCS INITIALIZATION - Continued

L-6.2 Initializing - Continued

- (4) NET ACCESS DELAY (SECONDS) selection - Selects proper transmission delay time to maintain network access order assigned to various subscribers. To enter a new NET ACCESS DELAY TIME, box in new time. The operator is then prompted to enter a value for the "NET ACCESS DELAY" in seconds. The valid range is 0.5 seconds to 49.5 seconds in 0.5-second increments.

The screenshot shows a terminal window with the following text:

```

NORMAL | | | | | C | | | | |
TACFIRE NETWORK SETTINGS
COMMUNICATION CONFIGURATION 0
*EDIT ADDRESSES
DEVICE SINGGARS
MODULATION NRZ
BAUD RATE 4800
*NET ACCESS DELAY (SECONDS) [ ]
*GUN KEY TIME (SECONDS) [ ]
BLOCK MODE SELECTION SINGLE
NET ACC DEL : 0.5 TO 49.5 - PRESS ENT -
CANCEL
    
```

06pc305t

- (5) GUN KEY TIME (SECONDS) selections - Selects assigned transmit delay time. This stabilizes the communications link and allows radio to reach full transmit power before digital data message is sent. When GUN KEY TIME is selected from NETWORK SETTINGS menu, a GUN KEY TIME menu is displayed. box in proper time. Press SELECT soft key. This will enter data and return to TACFIRE NETWORK SETTINGS menu (new GUN KEY TIME will be shown).

The screenshot shows a terminal window with the following text:

```

NORMAL | | | | | C | | | | |
TACFIRE NETWORK SETTINGS
GUN KEY TIME
0.0 SECONDS 0.2 SECONDS
0.7 SECONDS 1.4 SECONDS
2.1 SECONDS 2.8 SECONDS
4.0 SECONDS
SELECT CANCEL
    
```

06pc306t

L-6 AFCS INITIALIZATION - Continued

L-6.2 Initializing - Continued

- (6) BLOCK MODE selection - Selects single-block or double-block mode transmission of each data block. Double-block transmission provides for each block to be transmitted twice. When the BLOCK MODE SELECTION is selected, TACFIRE NETWORK SETTINGS - BLOCK MODE will appear with present block mode boxed in. After selection is made, TACFIRE NETWORK SETTINGS display will be shown with the new data in proper field. (Other data will remain unchanged). Double-block mode will be used when requested by Platoon Operations Center (POC).

NORMAL					C			
TACFIRE NETWORK SETTINGS								
BLOCK MODE								
<div style="border: 1px solid black; display: inline-block; padding: 2px;">SINGLE</div> DOUBLE								
SELECT					CANCEL			

06pc303t

- (7) NET BUSY SENSE OVERRIDE selection - Used to force a message through when communication net is degraded or jammed (message traffic or noise is sensed by communications processor). Selecting NET BUSY SENSE OVERRIDE (ON) when other subscribers are transmitting can cause message errors in radio traffic, and denies the other subscribers access. Consult unit SOP for proper use of NET BUSY SENSE OVERRIDE and press SELECT key. A TACFIRE NETWORK SETTINGS menu will be displayed showing present status boxed in. After proper selection, YES or NO is made, new data will be shown in the proper field. (Other data remains unchanged.)

NORMAL					C			
TACFIRE NETWORK SETTINGS								
NET BUSY SENSE OVERRIDE								
ON <div style="border: 1px solid black; display: inline-block; padding: 2px;">OFF</div>								
SELECT					CANCEL			

06pc304t

L-6 AFCS INITIALIZATION - Continued

L-6.2 Initializing - Continued

Soft key sequencing shall be as follows:

- USE ALL - If any selection is marked with an asterisk "*", the following message is displayed:
"CLEAR * ASTERISKS* TO CONTINUE" "ACK"
If all asterisks have been cleared, control transitions to NETWORK display.
- VIEW - Control transitions to display all protocol and address information for review using the same format as actual selection displays except fields cannot be selected.
- CANCEL - Discard any changes and control transitions to NETWORK display.

g. 188-220 Network Addresses (Basic).

NOTE

Each selection that requires configuration will be marked with an asterisk. The following values are required: PALADIN URN, PALADIN RANK, Controlling FDC URN, Controlling FDC RANK. Once the selection has been configured, the asterisk will be cleared.

SELECT soft key - Selects currently boxed selection. Transition of control depends on currently selected menu item as described below:

- (1) CONTROL Row selection - If current controlling FDC is the primary FDC, the following message is displayed:
"CHANGE TO BACKUP?" "YES" "NO"
If the current control FDC is the backup FDC, the following message is displayed:
"CHANGE TO PRIMARY?" "YES" "NO"
If NO is selected, no changes will be made.
If YES is selected, the controlling FDC value shall be toggled with its current state.
- (2) URN Column selection - Prompts the operator to enter a URN value ranging from 0 to 16,777,214. When the ENT key is pressed, the values shall be checked for duplicate URN values. If a duplicate value is found, the following message will be displayed:
"DUPLICATE VALUE-REENTER" "ACK"
Once the message is acknowledged, the operator is required to enter a new URN or press CANCEL soft key.

L-6 AFCS INITIALIZATION - Continued

L-6.2 Initializing - Continued

- (3) RANK Column selection - Prompts the operator to enter AFCS station rank range 1 to 31. When the ENT key is pressed, values will be checked for duplicate Station Rank values. If a duplicate value is found within the current configuration, the following message will be displayed:
 "DUPLICATE VALUE-REENTER" "ACK"

	URN	RANK
PALADIN	1500	1
FDC(P)	3000	2
FDC(B)	-----	---
SUB(1)	-----	---
SUB(2)	-----	---
SUB(3)	-----	---

CONTROL **FDC (P)**

CHANGE TO BACKUP? **YES** **NO**

	URN	RANK
PALADIN	1500	1
FDC(P)	3000	2
FDC(B)	-----	---
SUB(1)	-----	---
SUB(2)	-----	---
SUB(3)	-----	---

CONTROL FDC (P)

SELECT **USE ALL** **DELETE** **CANCEL**

06pc302t

NOTE

- Once the message is acknowledged, the operator is required to enter a new Station Rank value or press CANCEL.
- If the Rank entered exceeds the Number of Stations value, the Number of Stations shall be set to the Rank value entered and the following message shall be displayed: "NUMBER OF STATIONS SET TO XX" "ACK" where XX is the Rank value entered.

Soft key sequencing shall be as follows:

- USE ALL soft key - The following validity checks will be performed. If all are valid, control shall transition to 188-220 Network Settings. If any menu selections are marked with an asterisk "*", the following message will be displayed:
 "CLEAR *ASTERISKS* TO CONTINUE" "ACK"
 Address Completion Check - If a subscriber entry line has been incompletely defined (URN defined and Rank not defined, or Rank defined and URN not defined), then the following message will be displayed:
 "INCOMPLETE ADDRESS XXXXXX", "ACK"
 Where "XXXXXX" identifies the incomplete subscriber "FDC(P)", "FDC(B)", "SUB(1)", "SUB(2)" or "SUB(3)".
- DELETE soft key - Allows the operator to delete the currently boxed URN or Rank. The following message will be displayed:
 "DELETE ADDRESS", "YES", "NO"
 If NO is selected, no changes will be made.
 If YES is selected, the current selection is deleted and its value displayed as a dashed value. Pressing the DELETE soft key when Control FDC selection is boxed will have no effect.
- CANCEL soft key - Discards any changes made to the addresses, control transitions to 188-220 - NETWORK SETTINGS.

L-6 AFCS INITIALIZATION - Continued

L-6.2 Initializing - Continued

h. TACFIRE Network Addresses.

Each selection that requires configuration is marked with an asterisk. The following values are required:

- PALADIN URN
- PALADIN Physical Address
- PALADIN Broadcast Address
- GUN
- Controlling FDC URN
- Controlling FDC Physical Address

SELECT soft key - Selects the currently boxed selection. Transition of control depends on currently selected menu item as described below:

- (1) CONTROL Row selection - If current controlling FDC is the primary FDC, the following message is displayed:
 "CHANGE TO BACKUP?" "YES" "NO"
 If the current controlling FDC is the backup FDC, the following message is displayed:
 "CHANGE TO PRIMARY?" "YES" "NO"
 If NO is selected, no changes are made.
 If YES is selected, the controlling FDC value shall be toggled with its current state.
- (2) URN Column selection - Prompts the operator to enter a URN value. The valid range is 0 to 16,777,214. When the ENT key is pressed, the values are checked for duplicate URN values. If a duplicate value is found within the current configuration, the following message is displayed:
 "DUPLICATE VALUE-REENTER" "ACK"
 Once the message is acknowledged, the operator is required to enter a new URN or press CANCEL soft key.
- (3) PHYSICAL Column Selection - Control transitions to NETWORK SETTINGS - TACFIRE ADDRESSES with currently selected subscriber identified in the subtitle.
- (4) BROADCAST Column Selection - Control transitions to NETWORK SETTINGS - TACFIRE ADDRESSES with PALADIN Broadcast Address identified in the subtitle.
- (5) GUN NUMBER Column Selection - Control transitions to NETWORK SETTINGS - GUN NUMBER.

NORMAL	URN	PHYSICAL	BROADCAST	GUN
PALADIN *	-----*	---*	---*	---
FDC(P) *	-----*	---	---	---
FDC(B)	-----	---	---	---
SUB(1)	-----	---	---	---
SUB(2)	-----	---	---	---
SUB(3)	-----	---	---	---
CONTROL FDC (P)				
CHANGE TO BACKUP?		YES	NO	

NORMAL	URN	PHYSICAL	BROADCAST	GUN
PALADIN	16777214	D	C	1/2
FDC(P)	*-----*	---	---	---
FDC(B)	-----	---	---	---
SUB(1)	-----	---	---	---
SUB(2)	-----	---	---	---
SUB(3)	-----	---	---	---
CONTROL FDC (P)				
SELECT	USE ALL	DELETE	CANCEL	

06pc3011

L-6 AFCS INITIALIZATION - Continued

L-6.2 Initializing - Continued

Soft key sequencing shall be as follows:

- USE ALL** - If any selection is marked with an asterisk "*", the following message is displayed: "CLEAR *ASTERISKS* TO CONTINUE", "ACK"
 If a subscriber entry line is incompletely defined (URN defined and Address not defined, or Address defined and URN not defined), then the following message is displayed: "INCOMPLETE ADDRESS XXXXXX", "ACK"
 Where "XXXXXX" identifies the incomplete subscriber "FDC(P)", "FDC(B)", "SUB(1)", "SUB(2)" OR "SUB(3)".
 If all asterisks are cleared, the address information shall be saved and control transitions to TACFIRE NETWORK SETTINGS.
- DELETE** - Allows the operator to delete the currently boxed URN or address value. The following message will be displayed: "DELETE ADDRESS", "YES", "NO"
 If NO is selected, no changes are made.
 If YES is selected, current selection is deleted, and its value displayed as a dashed value. Pressing the DELETE soft key when Control FDC selection is boxed will have no effect.
- CANCEL** - Disregards any changes made to the addresses and control transitions to TACFIRE Network Settings.

NORMAL						C			
	URN	PHYSICAL	BROADCAST	GUN					
PALADIN	*	-----*	---*	---*					
FDC(P)	*	-----*	---	---					
FDC(B)		-----	---	---					
SUB(1)		-----	---	---					
SUB(2)		-----	---	---					
SUB(3)		-----	---	---					
CONTROL	FDC (P)								
CHANGE TO BACKUP?			YES			NO			

NORMAL						C			
	URN	PHYSICAL	BROADCAST	GUN					
PALADIN	1 6 7 7 7 2 1 4	D	C	1/2					
FDC(P)	* -----*	---							
FDC(B)	-----	---							
SUB(1)	-----	---							
SUB(2)	-----	---							
SUB(3)	-----	---							
CONTROL	FDC (P)								
SELECT		USE ALL			DELETE		CANCEL		

06pc3011

L-6 AFCS INITIALIZATION - Continued

L-6.2 Initializing - Continued

- k. Other Initialization Steps. When NETWORK has been initialized, a SETUP AND INFORMATION menu will be displayed. There are two pages to this menu. By pressing NEXT PAGE key, second page will be displayed.

NOTE

- Items marked with an * must be entered to complete initialization process. Without these data entries, the system will not be completely initialized and the AFCS will not be able to receive a mission.
- The NAV UPDATE selection will be blank when a command has been sent to the navigation subsystem and has not yet been completed.
- When in a degraded mode, some items may not appear.
- If the AFCS has a valid NVM, the "FAST INIT" soft key shall be available during initialization. Pressing the "FAST INIT" soft key shall clear the * from the "FDC DATA XFER", "AMMO INVENTORY", "PROP TEMP", and "TOTAL RESPONSE" fields.

SETUP AND INFORMATION	
* SET DATE/TIME	* TOT RESPONSE
* FDC DATA XFER	* LOAD ELEVATION
* SPHEROID/DATUM	* SECTOR OF FIRE
* NAV UPDATE	RECEIVED MSG
* AMMO INVENTORY	WARNING MSG
* PROP TEMP	MAX TUBE EL
	SITE DATA
	SEND CHECKFIRE
SELECT	NEXT PAGE FAST INIT

SETUP AND INFORMATION	
TUBE TEMPERATURE	STORED TARGETS
NETWORK	AFCS STATUS
RESET TCIM	DISPLAY FORMAT
MUZZLE VELOCITY	DISPLAY INTENSITY
SYSTEM RESTART	MANUAL MOVE ORD
	GPS CONTROL
	RECORD OF FIRE
	FIRE MISSION MODE
SELECT	*NEXT PAGE

06pc248t

L-6 AFCS INITIALIZATION - Continued

L-6.2 Initializing - Continued

Steps of other initialization data entry are done as follows:

- (1) SET DATE/TIME Group - This data is required for proper communications and is used for TOT data and other time related tasks and missions. From SETUP AND INFORMATION menu, box in SET DATE/TIME. Press SELECT key. This will cause a SET DATE/TIME Group menu to be displayed. If GPS data is available select "USE GPS". Note, GPS Time is ZULU (Greenwich Mean Time) when "USE GPS" selected, all times will be aligned to ZULU (Local ZULU and GPS). If GPS data is not available or if POC has instructed you not to use GPS proceed as follows:
 - (a) Enter two digits each for Year, Month, Date, Hour and Minute into boxed-in area.
 - (b) If a mistake is made prior to typing in all ten digits, press CLR key and try again. If all ten digits have been typed in, then menu will automatically show a SET DATE/TIME GROUP display with prompt.
 - (c) If incorrect data has been typed in after all 10 digits have been entered, press CANCEL key. This will return display to SET DATE/TIME menu. Then proceed with reentering correct data for Date/Time Group.
 - (d) To ensure proper time synchronization between the AFCS and POC/FDC, a countdown to MARK should be controlled by the POC. If data is correct when MARK is announced by POC, press MARK key to start the clock. This will return the display to the SETUP AND INFORMATION menu.
 - (e) Date/Time setting on system - Defaults to system clock if no other input is entered in. FDC and the AFCS messages will be rejected if more than 60 minutes difference between FDC time and AFCS time has elapsed. Unit SOP needs to be in real Date/Time.

The screenshot shows a menu titled "SET DATE / TIME GROUP". At the top, there are fields for "NORMAL", "NA", and "W". Below the title, there are three rows of time data:

ZULU	TIME	IS	99:02:05:1230:52
LOCAL	TIME	IS	99:02:05:1230:52
GPS	TIME	IS	99:02:05:1230

Below this, there are settings for "TIME ZONE" (Z) and "DAYLIGHT SAVINGS" (STANDARD). At the bottom, there is a field "SET LOCAL TIME" with a cursor pointing to it. A legend on the right indicates that the GPS time is "PRESENT ONLY IF GPS IS AVAILABLE" and the cursor is at the "CURSOR DEFAULT POSITION". At the very bottom, there are four buttons: "SELECT", "USE LOCAL", "USE GPS", and "CANCEL".

06pc177t

NOTE

Upon entering the Current DTG, Current Zulu, and Current GPS time, if available, shall be displayed to the operator. Operator must enter Time Zone, Daylight Savings and NEW DTG. The first time the AFCS-XXI program is executed the Zulu and Local time will be calculated from the hardware clock.

L-6 AFCS INITIALIZATION - Continued

L-6.2 Initializing - Continued

SELECT TIME ZONE - ENTER SELECT TIME ZONE IN ACCORDANCE WITH UNIT SOP.

NORMAL [] [] [] [] NA W [] [] [] []

SELECT TIME ZONE

A	B	C	D	E	F	G
H	I	K	L	M	N	O
P	Q	R	S	T	U	V
W	X	Y	Z			

SELECT CANCEL

06pc178t

SELECT DAYLIGHT SAVINGS - ENTER SELECT DAYLIGHT SAVINGS TIME IN ACCORDANCE WITH UNIT SOP.

NORMAL [] [] [] [] NA W [] [] [] []

SELECT DAYLIGHT SAVINGS

STANDARD

1/2 HR AHEAD
1 HR AHEAD
2 HRS AHEAD

SELECT CANCEL

06pc179t

L-6 AFCS INITIALIZATION - Continued

L-6.2 Initializing - Continued

The screenshot shows a terminal window with the following text:

```

NORMAL | | | | | NA W | | | |
-----
                SET LOCAL TIME
-----
ZULU   TIME IS  99:02:05:1230
LOCAL  TIME IS  99:02:05:1230
GPS    TIME IS  99:02:05:1230

TIME ZONE                                Z
DAYLIGHT SAVINGS                         STANDARD
SET LOCAL TIME  __:__:__:__

(1)
(2)                                     (3)
    
```

06pc180t

1

TYPE IN NEW DTG - YY:MM:HHMM

= Shall appear below the SET LOCAL TIME row upon entry to display above menu. Operator must enter date in format displayed (YY:MM:DD:HHMM). Operator may press CLEAR any time to reset entry.

PRESS MARK TO SET LOCAL TIME

= Shall appear below the SET LOCAL TIME row upon entry of the last digit of the minute.

2

MARK

= The MARK key shall be displayed upon entry of the last digit of the minute. When the MARK key is pressed the Local Time shall be processed and returned to the SETUP AND INFORMATION menu.

INVALID DTG VALUE

ACK

= If an invalid DGT is entered, this error shall be displayed to the operator. Press "ACK" and re-enter the date and time.

3

CANCEL

= When PRESS MARK TO SET LOCAL TIME is displayed and the CANCEL key is pressed the SET LOCAL TIME entries shall be cleared and the operator shall be able to enter a new LOCAL TIME.

= When the CANCEL key is pressed under all other conditions to display the SETUP AND INFORMATION menu will be displayed.

Date/Time setting on System - Defaults to system clock if no other Input is recorded in FDC and AFCS. Messages will reject if more than 60 minutes has elapsed. Unit SOP needs to be in real Date/Time.

L-6 AFCS INITIALIZATION - Continued

L-6.2 Initializing - Continued

NOTE

The FDC data transfer must be done each time you initialize the AFCS, if the FDC is operational.

- (2) FDC DATA XFER - To get initialization data from the POC/FDC, box in FDC DATA XFER and then press SELECT key. This will cause a FDC DATA XFER menu to be displayed with INITIALIZATION already boxed and Operator Alert. Pressing YES key will send a request to POC/FDC for needed data. Data includes: Subscriber File Message, Map Modification Input Message, Computer Meteorological Message, and Registration Data Input Message. This ensures that operator can properly communicate with other subscribers and can compute fire mission accurately. If NO ACK REQ INIT is displayed, contact POC to ensure that proper initialization has taken place. Repeat procedure if required. When initialization is complete, press CANCEL key.

If FDC DATA XFER does not have an *, then pressing the SELECT key will cause a FDC DATA XFER menu to be displayed without INITIALIZATION boxed. Box in INITIALIZATION and press SELECT key to provide the Operator Alert. Pressing YES sends the request to POC/FDC as described above.

SETUP AND INFORMATION	
* SET DATE/TIME	* TOT RESPONSE
* FDC DATA XFER	* LOAD ELEVATION
* SPHEROID/DATUM	* SECTOR OF FIRE
* NAV UPDATE	RECEIVED MSG
* AMMO INVENTORY	WARNING MSG
* PROP TEMP	MAX TUBE EL
	SITE DATA
	SEND CHECKFIRE
SELECT	NEXT PAGE
	FAST INIT

FDC DATA TRANSFER	
SEND	GET
PIECE STATUS	INITIALIZATION
SITE DATA	MOVE ORDERS
MVV DATA	MVV DATA
AMMO STATUS	PIECE STATUS
GEOMETRIES	SITE DATA
RECORD OF FIRE	AMMO STATUS
SELECT	CANCEL

06pc323t

L-6 AFCS INITIALIZATION - Continued

L-6.2 Initializing - Continued

- (3) SELECT SPHEROID/DATUM -The FDC DATA XFER, INITIALIZATION data includes a SPHEROID/DATUM.

The screenshot shows a menu titled "SPHEROID/DATUM ENTRY" with a "NORMAL" indicator and a "C" in a box. The menu options are:

SPHEROID	USRDEF	GRID ZONE	1
DATUM	USRDEF		

Below the menu, the following data is displayed:

```

DATUM OFST X    +0.1 Y    +0.0 Z    +0.0
SPHEROID MAJ 6378137.00 MIN 6356752.31
    
```

At the bottom of the screen are three buttons: "SELECT", "USE ALL", and "CANCEL".

Annotations:

- NOTE 1 points to the "SPHEROID" field.
- NOTE 2 points to the "DATUM OFST X" field.
- NOTE 3 points to the "GRID ZONE" field.

06pc249t

Check to see if all the data is correct. If it is correct, press the USE ALL key, and proceed with the initialization. If an entry is not correct, select that field and make corrections.

NOTE 1 SELECTION OF THIS FIELD WILL DISPLAY SELECT SPHEROID MENU.

NOTE 2 FIELD IS ONLY PRESENT IF USER DEFINED (USRDEF) SPHEROID IS USED.
NOT MODIFIABLE.

NOTE 3 WHEN GRID ZONE IS SELECTED THE FOLLOWING WILL BE DISPLAYED:

The screenshot shows a menu titled "SPHEROID/DATUM ENTRY" with a "NORMAL" indicator and a "C" in a box. The menu options are:

SPHEROID	WE	GRID ZONE	1
DATUM	WE		

Below the menu, the following text is displayed:

```

TYPE GRID ZONE
1 TO 60
- PRESS ENT KEY -
    
```

At the bottom right of the screen is a "CANCEL" button.

06pc250t

L-6 AFCS INITIALIZATION - Continued

L-6.2 Initializing - Continued

NORMAL					C			
SELECT SPHEROID								
AN	AUSTRALIAN NATIONAL							
BR	BESSEL 1841							
BN	BESSEL NAMBIA							
CC	CLARKE 1866							
CD	CLARKE 1880							
EB	EVEREST (BRUNEI)							
EA	EVEREST (1830)							
EC	EVEREST (1956)							
MORE BELOW								
SELECT						CANCEL		

06pc251t

When more than one page is required to display choices, scrolling shall be enabled and "MORE BELOW" or "MORE ABOVE" will be displayed.

Enter the defined SPHEROID, PRESS the SELECT SOFT KEY and the SELECT DATUM menu will be displayed. Refer to Tables in Appendix J.1 for SPHEROID listings.

SOFT KEY SEQUENCING SHALL BE AS FOLLOWS:

1. If **USRDEF** is boxed in and **SELECTED** then the **ENTER USER DEFINED SPHEROID MAJOR AXIS** menu will be displayed.
2. If any other **SPHEROID** is **SELECTED** then the **SELECT DATUM** menu will be displayed to force **SELECTION** of the **DATUM**.
3. If **CANCEL**, then the **SPHEROID/DATUM** menu will be displayed.

Maps are based upon a "reference datum." This is really the model of the Earth that the cartographer uses when making a map. The reference datum consists of two parts, the spheroids and the datum offsets.

The Earth is really not a perfectly round globe but is a little "fatter" at the equator. Therefore, the mapmaker uses a spheroid rather than a globe to describe the Earth's shape. Instead of just using one radius as one would do to describe a globe, two values are used. The first is the semi-major axis. It is the radius of the Earth at the equator. The second number is the semi-minor axis. It is the distance from the center of the Earth to the poles. It is slightly smaller than the semi-major axis. (The WGS 84 model of the Earth uses a semi-major axis of 6,378,137 meters and 6,356,752 meters for the semi-minor axis).

The cartographer may choose to base his model of the Earth's surface using a center point that is different from the true center of the Earth. This offset of the center point is described by three "datum offset" values: delta X, delta Y, and delta Z. These values are typically a few hundred meters.

There are many standard spheroid and datums commonly used for maps. If the spheroid/datum is not supplied by a message from FDC, the AFCS operator will be told to select a certain spheroid and datum at the display unit. The starting point for entering this data is the SPHEROID/DATUM display.

The spheroid is selected using the SELECT SPHEROID sub-display. This display lists choices. It is possible to use spheroid values different from the ones in the display lists. The different values are entered as "user defined." This is selected by the **USRDEF** option listed as a choice for a spheroid. If the operator selects **USRDEF**, other sub-displays prompt him to enter the semi-major and semi-minor axis. These values must be obtained from the POC and should only be used with guidance from Battery Commander.

L-6 AFCS INITIALIZATION - Continued

L-6.2 Initializing - Continued

NORMAL						C			
--------	--	--	--	--	--	---	--	--	--

ENTER USER DEFINED SPHEROID MAJOR AXIS

6378137.00

TYPE VALUE
BETWEEN 6376137.00 AND 6380137.00
- PRESS ENT KEY -

CANCEL

06pc252t

1. Any unedited DATA fields remain at their current values when ENT is pressed.
2. Enter the appropriate value and press ENT key. The USER DEFINED SPHEROID MINOR AXIS menu will be displayed.
3. If the CANCEL key is selected, the SELECT SPHEROID menu will be displayed.

NORMAL						C			
--------	--	--	--	--	--	---	--	--	--

ENTER USER DEFINED SPHEROID MINOR AXIS

6356752.31

TYPE VALUE
BETWEEN 6355477.00 AND 6358028.00
- PRESS ENT KEY -

CANCEL

06pc252ta

1. Any unedited DATA fields remain at their current values when ENT is pressed.
2. Enter the appropriate value and press ENT key. The CONFIRM USER DEFINED SPHEROID AXIS menu will be displayed.
3. If the CANCEL key is selected, the ENTER USER DEFINED SPHEROID MAJOR AXIS menu will be displayed.

NORMAL						C			
--------	--	--	--	--	--	---	--	--	--

CONFIRM USER DEFINED SPHEROID AXES

SEMI - MAJOR AXIS 6378137.00
SEMI - MINOR AXIS 6356752.31

USE ALL CANCEL

06pc252tb

L-6 AFCS INITIALIZATION - Continued

L-6.2 Initializing - Continued

Soft key sequencing shall be as follows:

If **CANCEL**, then ENTER USER DEFINED SPHEROID MINOR AXIS menu will be displayed.

If **USE ALL**, then the SELECT DATUM menu will be displayed.

The datum offset is selected using the SELECT DATUM sub-display. This display lists valid choices listed by an alphabetic code. It is possible to use datum offset values different from the ones in the display lists. The different values are entered as "user defined." This is selected by the USRDEF option listed as a choice for a datum offset. The datum offset values are entered using the ENTER USER DATUM PARAMETERS sub-display. The offset values are listed as DATUM OFFSET X, Y, and Z.

There is a restriction on the use of user defined spheroid and datum. The operator cannot use a new user defined spheroid if current spheroid selection is user defined. Likewise, the operator cannot select a new user defined datum selection if the current datum selection is user defined. If the operator wants to go from a user defined datum to a new user defined datum, the operator should simply select any standard datum and then enter the new user defined. Likewise, if the operator wants to go from a user defined spheroid to a new user defined spheroid, the operator should simply select any standard spheroid and then enter the new user defined.

When DATUM is selected, SELECT DATUM menu is displayed:

NOTE

The DATUMS displayed are dependant on the SPHEROID selected.

NORMAL						C			
SELECT DATUM									
BUR	BUKIT RIMPAH								
BAT	DJAKARTA BATAV								
GSE	GUNUNG SEGARA								
MAS	MASSAWA								
TOY-M	TOKYO (MEAN)								
USRDEF	USER DEFINED								
SELECT					CANCEL				

06pc253t

If **CANCEL** then the SPHEROID/DATUM ENTRY will be displayed

When more than one page is required to display choices, scrolling shall be enabled and "MORE BELOW" or "MORE ABOVE" will be displayed.

Box in the correct DATUM and press the SELECT key. The DATUMS available are dependent on the SPHEROID selected. See Appendix J.1.

NOTE

The reference frame for UTM position coordinates is a DATUM. Typically, a local DATUM is defined by an ellipsoidal Earth model (SPHEROID) and a starting point (origin) for the coordinate system. Coordinates on a map or in a Trig list (SCPs) often are on a Local DATUM. An example of a Local DATUM is the North American 1927 (NAD 27) DATUM used in the United States.

L-6 AFCS INITIALIZATION - Continued

L-6.2 Initializing - Continued

There have been many different Local DATUMs developed. GPS computes position on the World Geodetic System 1984 (WGS 84), a worldwide coordinate system. To use GPS with coordinates on a Local DATUM, the coordinates must be mathematically shifted. The AFCS (DRUH and PLGR) can automatically perform DATUM shifting, but first the operator must select the Local DATUM to be used, or provide the appropriate shift parameters. For AFCS operation, Local DATUMs are represented by two sets of parameters: the Local Ellipsoid (SPHEROID) and shift parameters as defined for each Local DATUM (DATUM IDs).

The FDC can provide the SPHEROID. The SPHEROID selected will determine which DATUM IDs will be available for selection. The AFCS/FDC SPHEROID and DATUM TABLE provides the SPHEROID number for the AFCS and FDC, which DATUM IDs are available for that SPHEROID number and the normal coverage area. Note that there may be more than one DATUM ID associated with a Local DATUM because the shifts vary by locality. For other DATUMs or areas outside the indicated coverage area, User Defined (USRDEF) Datum shifts may be entered manually. The table is not intended as an absolute. A map sheet will identify the DATUM name, Ellipsoid (SPHEROID) name and the coordinate type, or the map sheet will identify the area. The data from a Trig list should identify the same information. These parameters must be correlated to the DATUM ID. If the applicable DATUM hasn't been programmed in the AFCS, shift parameters for many other DATUMs and regions have been published in DMA TR 8350.2 and may be entered thru the DATUM X, Y, and Z OFFSETs. Note that the AFCS cannot accept shift parameters for all DATUMs because its SPHEROID capability is limited to those listed in the AFCS/FDC Table (Appendix J.1).

If the DATUM USRDEF is selected, then the DATUM X, Y, and Z offsets must be entered. These values must be obtained from the POC and should only be used with guidance from Battery Commander.

The ENTER USER DATUM PARAMETERS page should look like:

06pc254t

- When field selected:
TYPE OFFSET
BETWEEN -2000.0 AND +2000.0
-PRESS ENT KEY-
- When field selected:
Otherwise:
- When no fields are selected:
Otherwise: BLANK



L-6 AFCS INITIALIZATION - Continued

L-6.2 Initializing - Continued

NOTE

- Any un-edited DATA fields remain at their current values when USE ALL KEY is pressed.
- SOFT KEY sequencing shall be as follows:
 - If **CANCEL** , then the SELECT DATUM menu will be displayed.
 - If **USE ALL** , then the ENTER SPHEROID/DATUM ENTRY menu will be displayed.

NOTE

If **CANCEL** is selected, all information up to this point will be deleted.

NORMAL					C			
SPHEROID/DATUM ENTRY								
SPHEROID		USRDEF		GRID ZONE				1
DATUM		USRDEF						
DATUM OFST X		+0.1 Y		+0.0 Z				+0.0
SPHEROID MAJ		6378137.00		MIN				6356752.31
SELECT			USE ALL			CANCEL		

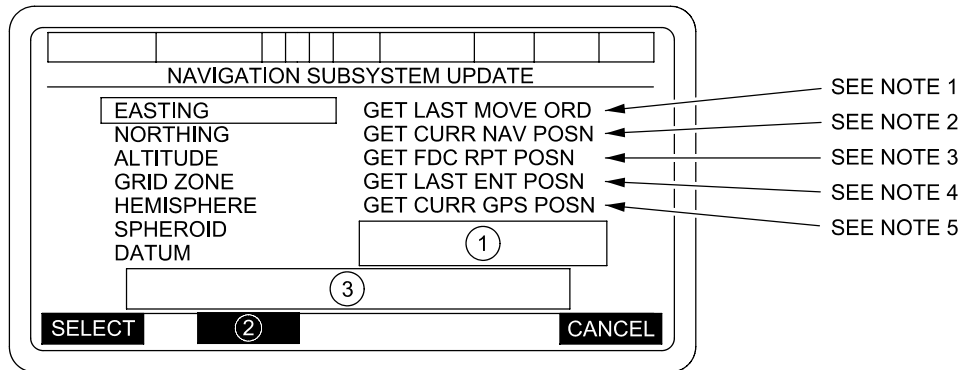
06pc270t

If **USE ALL** , all information will be locked in and the SETUP AND INFORMATION MENU will be displayed.

L-6 AFCS INITIALIZATION - Continued

L-6.2 Initializing - Continued

- (4) NAV UPDATE - Navigation Subsystem Update is performed as follows:
- With the Gun Tube in Travel Lock, park the howitzer at a known Survey Control Point (SCP) with the left sprocket within one meter of SCP.
 - Box in *NAV UPDATE and press the SELECT soft key. This will bring up the NAVIGATION SUBSYSTEM UPDATE menu.



06pc188ta

NOTE

The datum to be used is selected from the SETUP AND INFORMATION menu (Enter MAP/DATUM menu)

- 1 This field contains OPERATOR PROMPTS and selections which depend on the current status of the NAVIGATION SUBSYSTEM
- 2 When ALTITUDE SELECTED - **+/-**
otherwise - **USE ALL**
- 3 This field contains OPERATOR PROMPTS for updating the values of: EASTING, NORTHING, ALTITUDE, and GRID ZONE:

When EASTING is selected:
Type EASTING 0 to 999999
Press ENT key

When NORTHING is selected:
Type NORTHING 0 to 1000000
Press ENT key

When ALTITUDE is selected:
Type ALTITUDE -1,000 to 10,000
Press ENT key

When GRID ZONE is selected:
Type GRID ZONE 1 to 60
Press ENT key

HEMISPHERE = NORTH or SOUTH

SPHEROID = 1 . . 9 and A . . I and USRDEF (not modifiable by operator)

DATUM = See Table in Appendix J.1 (not modifiable by operator on this display)

L-6 AFCS INITIALIZATION - Continued

L-6.2 Initializing - Continued

NOTE 1: Blank if no Move Order occurred since the last power up of the AFCS.

NOTE 2: Blank when Navigation Subsystem is not available.

NOTE 3: Available if position data has been sent from the FDC. Selection disappears when AFCS operator performs Nav Update or Move Order.

NOTE 4: Last coordinates on which position update was performed. Blank if operator has pressed the ARRIVED key at a position area since the last position update.

NOTE 5: Field is blank when the following conditions exist:

- a. Navigation subsystem functionality not currently available.
- b. GPS position data not currently available from the Navigation subsystem.
- c. The GPS position data currently available has an estimated probable error greater than the navigation devices' "poor GPS data limit".

If the available GPS data has an estimated probable error greater than the Navigation device "Good GPS data limit", but less than or equal to the navigation device "Poor GPS data limit" when this menu item is selected, then the following alert will be placed on the soft key line:

USE DGRD GPS DATA? YES NO

If the YES soft key is pressed, then the available GPS data shall be used to update the listing, Northing, and Altitude fields on the menu. If the NO soft key is pressed, then the Easting, Northing, and Altitude fields on the menu will not be updated with the available GPS data.

NOTE

Use in accordance with unit SOP.

- (c) **RESTART REQUIRED** - This prompt will appear in field (1). With the gun tube in travel lock, the Howitzer must be positioned at a Survey Control Point (SCP) with the left front sprocket within one meter on the SCP. No selection of RESTART REQUIRED is required, it will happen automatically and a full alignment will be performed. Enter the SCP data of EASTING, NORTHING ALTITUDE and GRID ZONE. When all data is entered, double check the SCP coordinates and SPHEROID/DATUM and HEMISPHERE displayed on the screen. If it is not correct, make any correction. If it is correct, press the USE ALL soft key. The following prompt will be displayed:

"NAV POSITION UPDATE ABOUT TO START" "ARE YOU SURE" "YES" "NO"

Press the "YES" soft key, and the Navigation Position Update will be started. The SETUP AND INFORMATION menu will appear. The prompt "CMD" will appear in field (6), and then be replaced by the Align Time to Go countdown. Proceed with the rest of Initialization.

- (d) **NAV POSITION UPDATE** - If this prompt is displayed in field (1), then only a Navigation Subsystem Position Update is required. With the gun tube in travel lock, the Howitzer must be positioned at a Survey Control Point (SCP), with the left front sprocket within one meter of the SCP. Enter the SCP data of EASTING, NORTHING and ALTITUDE. When all data is entered, double check the SCP coordinates and SPHEROID/DATUM, GRID ZONE and HEMISPHERE displayed on the screen. If it is not correct, make any correction. If it is correct, press the USE ALL soft key. The following prompt will be displayed:

"NAV POSITION UPDATE ABOUT TO START" "ARE YOU SURE" "YES" "NO"

Press the "YES" soft key, and the Navigation Position Update will be started. The SETUP AND INFORMATION menu will appear. The prompt "CMD" will appear in field (6), and then be replaced by the Align Time to Go countdown. Proceed with the rest of Initialization.

L-6 AFCS INITIALIZATION - Continued

L-6.2 Initializing - Continued

- (e) NAV RESTART - If the prompt NAV POSITION UPDATE is highlighted and selected, a message prompt "CHANGE TO RESTART" "YES" "NO" will appear. Press the "YES" soft key. "FORCE NAV RESTART" will appear. Press "USE ALL" then press the "YES" soft key to "ARE YOU SURE" prompt, the SETUP AND INFORMATION menu will be displayed and CMD will be displayed in field (6). This will be replaced with the Align Time to Go count down timer. The Navigation Subsystem aligns itself automatically.

NOTE

The Navigation Subsystem has 3 modes of alignment;
Stored Heading Alignment, Normal Alignment and
Dynamic Alignment.

- (1) Stored Heading Alignment - Will occur only if the previous AFCS shutdown was orderly and the Howitzer or Turret has not moved since the last shutdown. This Alignment will take a maximum of 90 seconds, and will start as soon as the power is applied to the Navigation Subsystem. A NAV UPDATE is still required. But since the Howitzer has not moved since the last shutdown, all the NAV UPDATE data should be correct and only pressing the USE ALL soft key is required. If the Howitzer has been moved since the last shutdown, or the last shutdown was abnormal, or the Howitzer was moving during the last shutdown procedure, the Stored Heading Alignment will automatically be rejected and after a NAV UPDATE is performed the Navigation Subsystem will automatically perform a Normal Align.
- (2) Normal Alignment - Will occur when ever a Stored Heading Alignment cannot be performed. This alignment will take a maximum of 15 minutes (900 seconds). After the NAV UPDATE is performed and accepted, the Normal Alignment will automatically start, and the Align Time to Go counter will start counting down to 0. During the countdown, a message "OK TO MOVE OR SHOOT" "ACK" may appear before the countdown reaches 0. This means the Navigation Subsystem estimated Azimuth Error is within the bounds that are safe to move or shoot. At this point, a Move Order or Fire Missions may be performed. If the PLGR data is valid (i.e. the "A" is gone) the Align Time to Go counter will continue to countdown while the Howitzer is moving. If the PLGR is not valid (i.e. "A" is on), the timer will stop counting during movement and ZUPTs will be requested.
- (3) Dynamic Alignment - A Dynamic Alignment is nothing more than a moving Normal Alignment, but the following conditions must be met: The PLGR must have data (i.e. the "A" is gone) and a NAV UPDATE must have been performed prior to movement. If these conditions are true, then the Howitzer may be moved before the "OK TO MOVE OR SHOOT" "ACK" is displayed. Move Orders and Fire Missions cannot be performed, but as long as the PLGR is valid (i.e. the "A" is gone), the Align Time to Go timer will continue to countdown and the Navigation Subsystem will not require a RESTART. Moving prior to the "OK TO MOVE OR SHOOT" "ACK" must be done in accordance with Unit SOP.

L-6 AFCS INITIALIZATION - Continued

L-6.2 Initializing - Continued

NOTE

AFCS supports two modes of Navigation Update; a Position Update and a Navigation Subsystem Restart. Normally, the Navigation Subsystem will align itself automatically, so only a Position Update is required.

- (f) To perform a Nav Position Update, if entries are correct per unit SOP. If incorrect, this indicates that FDC DATA Transfer of the Map Mod was not successful in the previous step; press CANCEL, to return to the SETUP AND INFORMATION menu and repeat the FDC DATA XFER procedure to get initialized by FDC. If GRID ZONE, HEMISPHERE and SPHEROID entries are correct, then enter, in turn, EASTING, NORTHING, and ALTITUDE as follows: for each item, first box in the item, then press SELECT key. Use keypad to type in value. Press ENT key. Press USE ALL to complete the NAV UPDATE and return to the SETUP AND INFORMATION menu.

If invalid data is entered, the Navigational System will reject it and ask for data re-entry. Press ACK key to acknowledge Alert and re-enter data.

NORMAL					C			
NAVIGATION SUBSYSTEM UPDATE								
EASTING								
NORTHING			84317					GET CURR NAV POSN
ALTITUDE			256					
GRID ZONE			1					
HEMISPHERE			NORTH					GET CURR GPS POSN
SPHEROID			USRDEF					NAV POSITION UPDT
DATUM			USRDEF					
TYPE EASTING 1 TO 999,999								
- PRESS ENT KEY -								
VALUE TOO SMALL							ACK	

06pc324t

- (5) AMMO INVENTORY - Ammunition inventory must be done before the AFCS will accept a fire mission. Inventories must be complete and accurate before the system initialization is completed. The three parts of the inventory records, Shells, Propellants, and Fuzes, are updated as follows:

L-6 AFCS INITIALIZATION - Continued

L-6.2 Initializing - Continued

- (a) Box in AMMO INVENTORY from the SETUP AND INFORMATION menu. Then press SELECT key. This will cause an INVENTORY MANAGEMENT menu to be displayed. Box in either EDIT CURRENT PALADIN or EDIT FDC PROVIDED data. Press SELECT key. This will cause an INVENTORY MANAGEMENT menu to be displayed.

The screenshot shows a terminal window with the following content:

```

NORMAL | | | | | | | | | |
INVENTORY MANAGEMENT
-----
EDIT CURRENT PALADIN
EDIT FDC PROVIDED
-----
SELECT          CANCEL
    
```

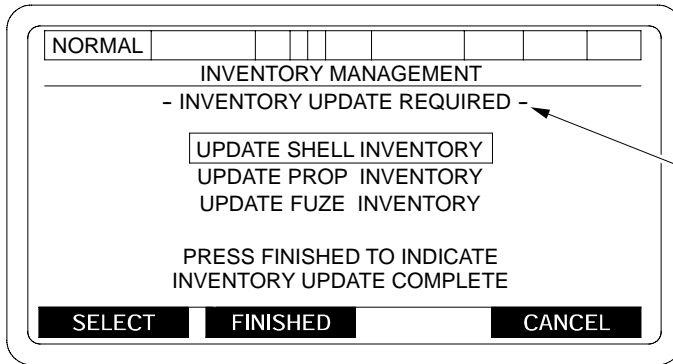
06pc654m

NOTE

- This menu will not be displayed when FDC provided inventory data is not available at the AFCS.
- You can request the POC to provide your Ammo Inventory from the FDC if you know it is a correct count. Use FDC DATA XFER to GET AMMO STATUS (para L-6.2k(2)).

L-6 AFCS INITIALIZATION - Continued

L-6.2 Initializing - Continued



06pc118m

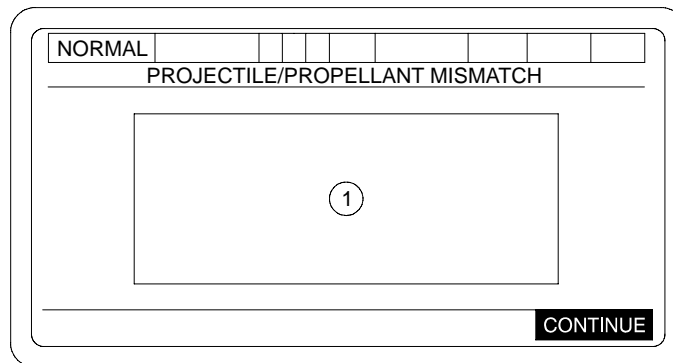
MESSAGE ONLY APPEARS IF FIRE MISSION RECEIVED BEFORE OPERATOR VERIFIED AMMO FROM PREVIOUS MISSION

NOTE

If a Fire Mission is activated while in any of the ammunition inventory submenus, all valid complete entries will be saved.

FINISHED

= When the Finished key is pressed the ammunition inventory shall be reviewed to insure each group of projectiles has at least one propellant and each group of propellants has at least one projectile. If a projectile is found without a propellant or a propellant without a projectile, the AFCS will display Projectile/Propellant Mismatch menu.



06pc189t

CONTINUE

= Will display INVENTORY MANAGEMENT menu.

①

= NO "US" PROJECTILE MATCH and or NO "US" PROPELLANT MATCH

NOTE

Use Up and DOWN keys to scroll.

L-6 AFCS INITIALIZATION - Continued

L-6.2 Initializing - Continued

- (b) Box in UPDATE SHELL INVENTORY. Press SELECT key. This will cause an UPDATE SHELL INVENTORY menu to be displayed.

PROJECTILE TYPES ARE SORTED BY LOT

COUNTRY CODE

LAST ENTRY OF MENU IS DASHED UNLESS ALL LOTS ARE DEFINED

06pc190t

NOTE

Pressing the DELETE key will cause the selected shell to be deleted from inventory no matter where on the inventory line the selection box is positioned.

If the operator presses the "DELETE" key or attempts to modify the lot for a shell that is currently being used for a fire mission, the AFCS operator warning "UNALLOWED - USED BY FM" "ACK" will be displayed.

- (c) To add a new entry, box in the first blank line. Press SELECT key. This will cause an UPDATE SHELL INVENTORY-SELECT SHELL TYPE menu to be displayed.

INITIALLY BOX SHELL TYPE FROM THE SELECTED INVENTORY ENTRY OR BOX THE FIRST ITEM IF A BLANK LINE WAS SELECTED

COUNTRY OF ORIGIN

06pc191t

L-6 AFCS INITIALIZATION - Continued

L-6.2 Initializing - Continued

- (d) Press SELECT key to display a SELECT LOT menu.
- (e) Box in Lot choice and press SELECT key. This will cause a lot designator to be assigned to the selected shell. Once a lot selection is made, that designator (letter) will disappear. This prevents using same lot twice.

INITIALLY BOX LOT FROM
SELECTED INVENTORY
ENTRY (IF BLANK LINE
NOT SELECTED)
OTHERWISE BOX
THE FIRST AVAILABLE
UNUSED LOT

BLANK ALL USED
LOTS EXCEPT THE
LOT FROM THE
SELECTED INVENTORY
ENTRY (IF A BLANK
LINE NOT SELECTED)

NORMAL					
UPDATE SHELL INVENTORY					SELECT LOT
TYPE	LOT	WT	ONH	+/-	CC
_____	_____	_____	_____	_____	US
G	B	C	D	E	F
H	I	J	K	L	M
N	O	P	Q	R	S
T	U	V	W	X	Y
Z					
SELECT			CANCEL		

COUNTRY
OF ORIGIN

06pc192t

- (f) Box in WT choice and press SELECT key; an ENTER SHELL WEIGHT menu will be displayed. If shell weight is not the same as default weight, type in new weight and press ENT key. This will cause the UPDATE SHELL INVENTORY menu to be displayed.

NOTE

Weight will be displayed in pounds or squares.

ENTER SHELL WEIGHT

TYPE	LOT	WT	ONH	+/-	CC
_____	_____	_____	_____	_____	US
WT <input style="width: 50px;" type="text"/>					
TYPE WEIGHT IN POUNDS BETWEEN _____ AND _____ - PRESS ENT KEY -					
CANCEL					

COUNTRY OF ORIGIN

WEIGHT FROM INVENTORY
ENTRY (IF BLANK
LINE NOT SELECTED)

OTHERWISE USES
DEFAULT WEIGHT FOR
THE SELECTED SHELL
TYPE

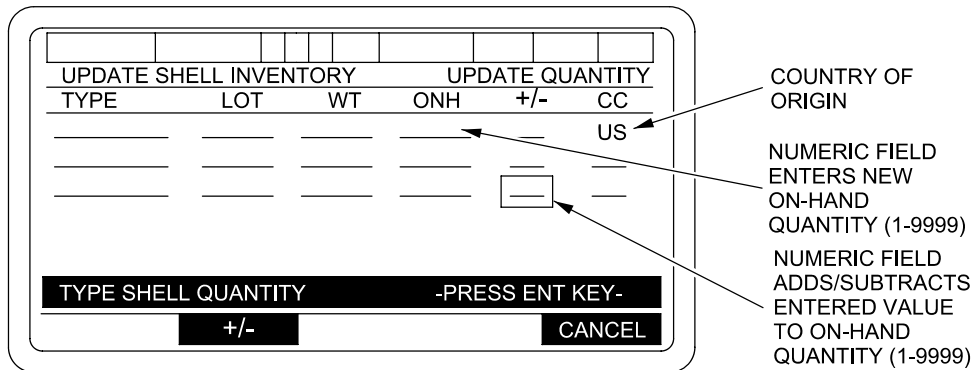
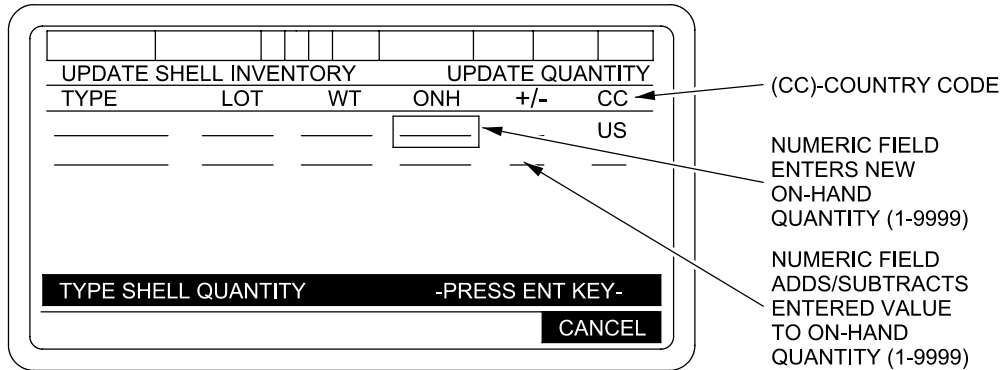
OR SQUARES IF SHELL
IS WEIGHT ZONED

06pc193ta

L-6 AFCS INITIALIZATION - Continued

L-6.2 Initializing - Continued

- (g) Move box to proper column (ONH, ADD or SUB) in desired line and press SELECT key. A prompt to TYPE SHELL QUANTITY will be displayed. Type in new quantity and press ENT key. New quantity will be displayed.
- (h) When all shell data has been updated or edited, press USE ALL key to return to INVENTORY MANAGEMENT menu.



06pc194ta

L-6 AFCS INITIALIZATION - Continued

L-6.2 Initializing - Continued

- (i) Box in UPDATE PROP INVENTORY on INVENTORY MANAGEMENT (UPDATE) menu. Press SELECT key to display UPDATE PROP INVENTORY menu.

BLANK IF NO EXTENDED LOT AVAILABLE

PROPELLANTS ARE SORTED BY LOT

UPDATE PROP INVENTORY		SELECT FIELD		
TYPE	LOT	ONH	+/-	CC
_____ / _____		<input type="checkbox"/>	—	US
_____ / _____		_____	—	—
_____ / _____		_____	—	—
_____ / _____		_____	—	—
_____ / _____		_____	—	—

LAST ENTRY OF MENU IS DASHED UNLESS ALL LOTS ARE DEFINED

SELECT USE ALL DELETE CANCEL

06pc195t

NOTE

- The DELETE key shall cause the selected propellant to be deleted from inventory no matter where on the inventory line the selection box is positioned.
 - If the operator presses the "DELETE" key or attempts to modify the lot for a propellant that is currently being used for a fire mission, the AFCS shall display the operator warning "UNALLOWED - USED BY FM" "ACK".
- (j) To add a new entry, box in the first blank line on UPDATE PROP INVENTORY menu. Press SELECT key to display SELECT PROP TYPE menu. Box in propellant type and press SELECT key.

NOTE

The data displayed on the third line of this display is that given in the selected inventory entry (either a blank line or an existing entry) and is updated as entries are made.

INITIALLY BOX THE PROP TYPE FROM THE SELECTED INVENTORY ENTRY OR BOX THE FIRST ITEM IF A BLANK LINE WAS SELECTED

UPDATE PROP INVENTORY		SELECT PROP TYPE		
TYPE	LOT	ONH	+/-	CC
_____ / _____		_____	—	US
<input type="checkbox"/> M3A1	M4A2	M119A1	M119A2	
	M203	M203A1	M231	M232

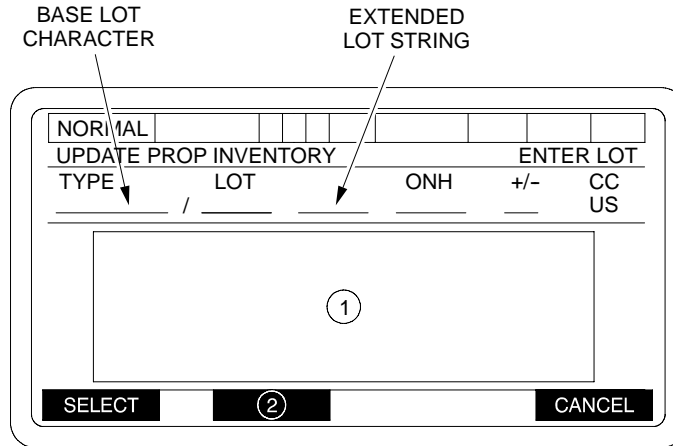
SELECT CANCEL

06pc196tb

L-6 AFCS INITIALIZATION - Continued

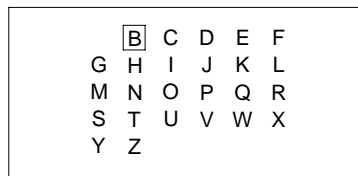
L-6.2 Initializing - Continued

- (k) When the SELECT key on the Select Prop Type screen is pressed the ENTER LOT menu will be displayed.



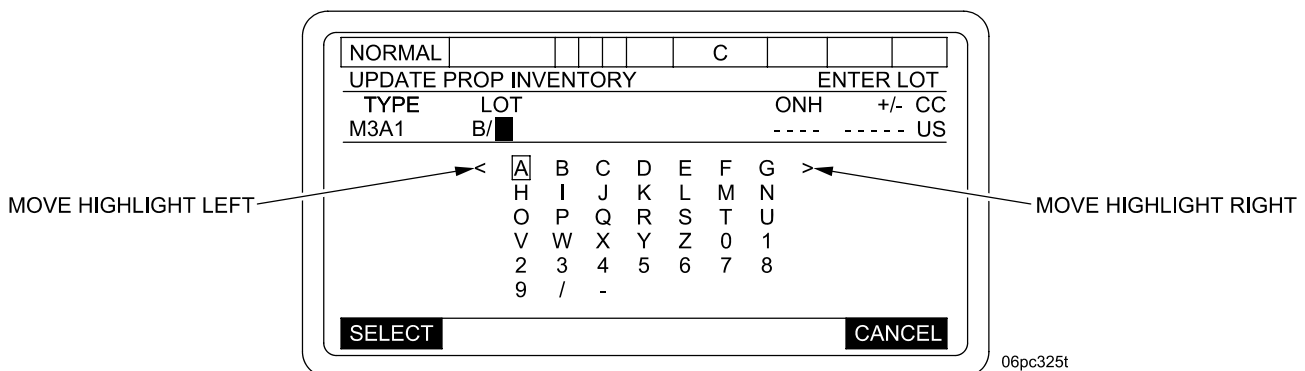
06pc197t

- 1 On initial entry to this display, the cursor box is on the base lot from the selected inventory entry (if a blank line was not selected). Otherwise, box the first available unused base lot letter. The base lot location in the upper display is highlighted in reverse video. All base lots currently in the propellant inventory are deleted from the selection area (except for the selected inventory entry base lot if not on a blank inventory line).



06pc127m

After the base lot is selected, the extended lot editing function is entered. All alphabetic characters as well as numeric, virgule, hyphen, and highlight movement characters are made available for operator selection. The operator will be allowed to enter blanks while editing the extended lot string, but they will be removed when the operator selects "USE ALL". The reverse video highlight is initially moved to the first character position (left most character) in the extended lot string. Highlight movement will wrap at the ends of the extended lot string. Pressing the CLR key will erase the character under the reverse video highlight.



06pc325t

- 2 Blank - until extended lot string editing begins.
USE ALL - while editing the extended lot string.

L-6 AFCS INITIALIZATION - Continued

L-6.2 Initializing - Continued

When USE ALL key is pressed the following checks occur:

- The extended string is compared with other extended lot codes in inventory. If a duplicate extended lot string is found, a short error message will be displayed.

DUPLICATE EXTENDED LOT FOUND ACK

When ACK is pressed, the extended lot editing function will be resumed and the highlight will be at the last character position prior to pressing USE ALL. Before pressing USE ALL, enter a different extended lot.

- The extended lot string is compared with other extended codes in the MVV Lot Database. If a duplicate extended lot string is found and there is a propellant model mismatch, the error message

MVV EXTENDED LOT PROP CONFLICT ACK

shall be generated. When ACK is pressed, the extended lot editing function shall be resumed and the highlight shall be at the last character position prior to pressing USE ALL.

06pc198ta

- (i) When the USE ALL key is pressed, the Update Prop Inventory menu is displayed. Box in either +/- column and press SELECT key. Type in new quantity and press ENTER key. New quantity will be displayed.

NUMERIC FIELD
ADDS/SUBTRACTS
ENTERED VALUE
TO ON-HAND
QUANTITY (1-9999)

06pc199ta

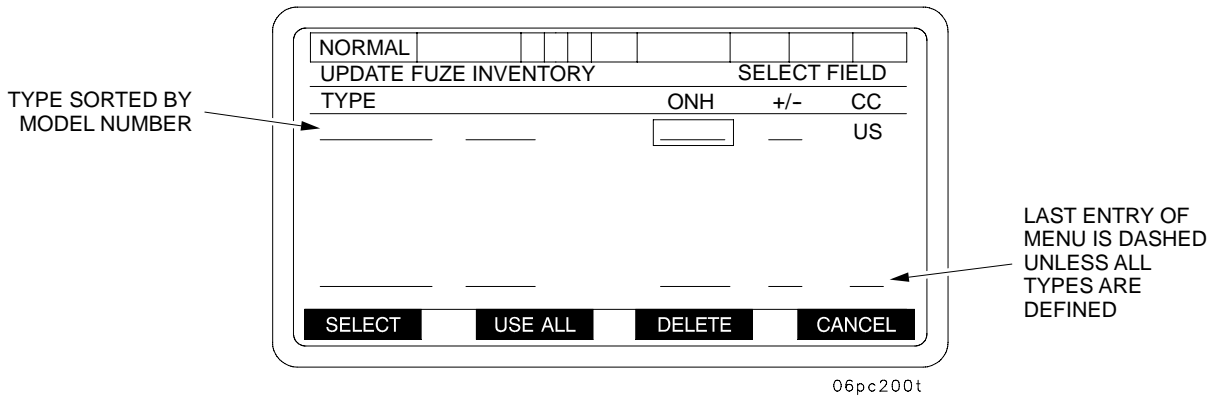
NOTE

- The +/- soft key will appear when the +/- column is selected. If you select the ONH column, the +/- soft key will not appear.
- Minus values must not exceed the amount on-hand. Plus values must not cause the on-hand total to exceed 9999. Either of these conditions shall cause the error message: "VALUE TOO SMALL" "ACK" or "VALUE TOO BIG" "ACK".

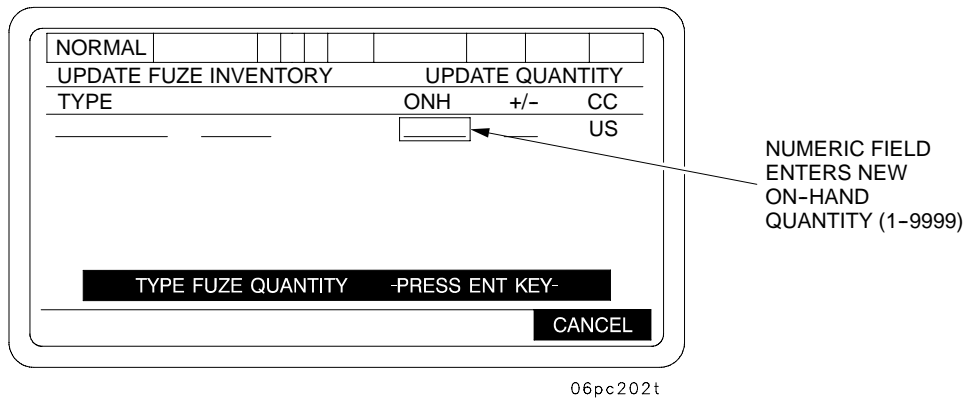
L-6 AFCS INITIALIZATION - Continued

L-6.2 Initializing - Continued

(p) Move box to proper column (ONH or +/-). Press SELECT key.



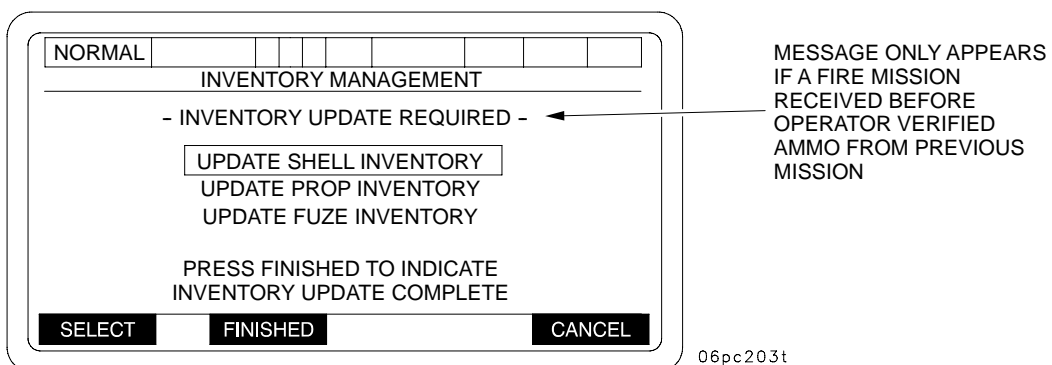
(q) Type in quantity and press ENT key.



NOTE

- The +/- soft key will appear when the +/- column is selected. If you select the ONH column, the +/- Soft key will not appear.
- Minus values must not exceed the amount on-hand. Plus values must not cause the on-hand total to exceed 9999. Either of these conditions shall cause the error message: "VALUE TOO SMALL" "ACK" or "VALUE TOO BIG" "ACK".

(r) When fuzes have been updated, press USE ALL key to return to INVENTORY MANAGEMENT menu.



L-6 AFCS INITIALIZATION - Continued

L-6.2 Initializing - Continued

NOTE

- If a fire mission is activated while in any of the ammunition inventory sub-menus, all valid complete entries with consistent projectile/propellant, country code matches shall be saved.
 - If the **CANCEL** Soft key is selected all edits will be ignored.
 - When the **FINISHED** soft key is pressed the ammunition inventory shall be reviewed to insure each group of projectiles has at least one propellant and each group of propellants has at least one projectile. If a projectile group is found without a propellant or a propellant without a projectile, the AFCS will display PROJECTILE/PROPELLANT MISMATCH menu. Pressing the CONTINUE Soft key on this menu will return operator to the INVENTORY MANAGEMENT menu, at which time the operator has to update SHELL/PROP inventory.
- (s) When all ammunition data has been entered or updated, press FINISHED key to display the SETUP AND INFORMATION menu.
- (6) PROPELLANT TEMPERATURE - Must be entered in order to complete initialization. After ammunition has been received, a propellant temperature should be obtained by the crew using a calibrated propellant temperature gage. Propellant temperatures are entered as follows:

NOTE

- Accurate propellant temperatures must be entered in order for AFCS to accurately compute Muzzle Velocity Variances.
 - Numerical value must be entered before sign. Default sign is (+).
- (a) Box in PROP TEMP from SETUP AND INFORMATION menu. Press SELECT key. A PROPELLANT TEMPERATURE menu will be displayed. Type in correct temperature and press ENT key.

Diagram illustrating the PROPELLANT TEMPERATURE menu interface. The screen displays the title "PROPELLANT TEMPERATURE" and a status bar above it. Below the title bar, there is a "TEMPERATURE (F)" input field and an "UPDATE ALERT TIME" input field. Below these fields are two dashed boxes labeled 1 and 2. At the bottom of the screen are three buttons labeled 3, 4, and CANCEL. Callouts point to the temperature field (DEFAULT TO 70° OR LAST ENTERED VALUE (-60..+145)) and the update alert time field (DEFAULT TO 1.0 HOUR WHEN NO CREW ENTRY IS AVAILABLE).

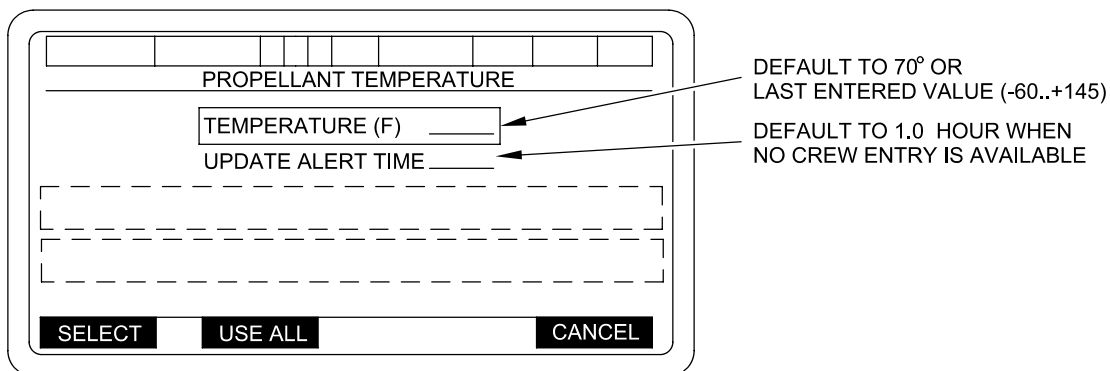
06pc204ta

- 1 TIME TO GO XX:XX (HOURS:MINUTES) OR TIME EXCEEDED

L-6 AFCS INITIALIZATION - Continued

L-6.2 Initializing - Continued

- 2 WHEN TEMPERATURE SELECTED
 TYPE TEMPERATURE IN FAHRENHEIT DEGREES: -60 TO +145
 - PRESS ENT KEY -
 WHEN UPDATE ALERT TIME SELECTED
 TYPE UPDATE TIME IN 0.5 HOUR INCREMENTS 0.5 TO 2.0
 - PRESS ENT KEY -
 - 3 BLANK - When TEMPERATURE or UPDATE ALERT TIME selected
 SELECT - When item is not selected
 - 4 USE ALL - When no item is selected
 +/- When temperature is selected
 BLANK - When UPDATE ALERT TIME is selected
- (b) If a temperature outside allowable range is input, operator alert "VALUE TOO BIG" or "VALUE TOO SMALL" will appear when ENT key is pressed. The ACK key must be pressed to return to the PROPELLANT TEMPERATURE menu to enter correct temperature.
- (c) A propellant temperature is input during initialization by selecting PROP TEMP from the SETUP AND INFORMATION menu to display the PROPELLANT TEMPERATURE menu. The operator is allowed to enter the propellant temperature. If no temperature is entered the AFCS will use the default value of 70 degrees F. To enter the propellant temperature, place cursor to TEMPERATURE (F), press the soft key under SELECT prompt. An operator prompt "TYPE TEMPERATURE IN FAHRENHEIT DEGREES -60 TO +145 --PRESS ENTER KEY" will appear. Type in propellant temperature and press ENT key. In addition, the AFCS incorporates a timed audible and visual alert to the operator to warn that a propellant temperature update is required. The time interval to use for the audible and visual alerts are selectable on the PROP TEMP menu, from 30 minutes (0.5 hours) to 120 minutes (2.0 hours) in 30 minute increments. The alert time is defaulted to 1.0 hour when no time is entered by the operator. To set alert time, place cursor on UPDATE ALERT TIME, and press soft key under SELECT prompt. An operator prompt, "TYPE UPDATE TIME IN 0.5 HOUR INCREMENTS 0.5 TO 2.0, PRESS ENTER KEY. When the operator has successfully entered the propellant temperature and alert time return to SETUP AND INFORMATION menu by pressing soft key under USE ALL prompt. When correct propellant temperature and alert time have been entered, pressing USE ALL will display the SETUP AND INFORMATION menu.



06pc134mb

L-6 AFCS INITIALIZATION - Continued

L-6.2 Initializing - Continued

- (7) TOT RESPONSE TIME - This is used to set crew time response for a specific fire mission. The data tells the AFCS how much advance warning a crew needs before a Time on Target (TOT) mission is to be fired. This data is entered as follows:
- (a) Box in TOT RESPONSE from SETUP AND INFORMATION menu. Press SELECT key to display a TIME ON TARGET CREW RESPONSE TIME menu.
 - (b) Enter data for response time and press the ENT key. This will return the display to the SETUP AND INFORMATION menu.

The screenshot shows a rectangular display window. At the top, there are two rows of status indicators: 'NORMAL' followed by several empty boxes, and 'N W' followed by several empty boxes. Below this is the title 'TIME ON TARGET CREW RESPONSE TIME'. The main content area displays 'TOT RESPONSE TIME' followed by a small box containing the number '10.0'. Below that, it reads 'TYPE TIME BETWEEN .5 AND 10.0 MINUTES - PRESS ENT KEY -'. At the bottom right corner, there is a black button with the word 'CANCEL' in white text.

06pc136m

- (8) LOAD ELEVATION - This data is entered in the AFCS to specify an elevation that the gun tube will automatically return to after firing when the LOAD key is pressed on the DU panel. Enter LOAD ELEVATION as follows:
- (a) Box in LOAD ELEVATION from the SETUP AND INFORMATION menu. Press SELECT key to display a TUBE LOAD ELEVATION menu.

CAUTION

Do not enter an elevation greater than 300 mils. Settings above 300 mils may result in breech failing to close and could cause unnecessary wear on spring pack.

NOTE

Numerical value must be entered before sign.
Default sign is (+).

- (b) Type in desired elevation data and press ENT key. The SETUP AND INFORMATION menu will be displayed.

The screenshot shows a rectangular display window. At the top, there are two rows of status indicators: 'NORMAL' followed by several empty boxes, and 'N W' followed by several empty boxes. Below this is the title 'TUBE LOAD ELEVATION'. The main content area displays 'LOAD ELEVATION' followed by a small box containing the number '+300'. Below that, it reads 'TYPE LOAD ELEVATION IN MILS BETWEEN -200 AND 1333 - PRESS ENT KEY -'. At the bottom, there are two buttons: a black button with '+/-' in white text and a black button with 'CANCEL' in white text.

NUMERIC FIELD LOAD ELEVATION -200..1333 MILS
DEFAULT TO CURRENT LOAD ELEVATION

06bc135m

L-6 AFCS INITIALIZATION - Continued

L-6.2 Initializing - Continued

(9) SECTOR OF FIRE - Used to define the howitzer's sector of fire. Data is entered as follows:

- (a) Box in SECTOR OF FIRE from SETUP AND INFORMATION menu. Press SELECT key to display DEFINE SECTOR OF FIRE menu.
- (b) Box in LEFT LIMIT OF SECTOR. Press SELECT key. Enter data. Press ENT key. Move box to AOF. Press SELECT key. Enter data. Press ENT key. Move box to RIGHT LIMIT OF SECTOR. Press SELECT key. Enter data. Press ENT key.

06pc205t

IF LEFT = RIGHT

ERROR - LEFT AND RIGHT EQUAL **ACK**

If AZIMUTH OF FIRE is not to
RIGHT OF LEFT LIMIT and LEFT
OF RIGHT LIMIT.

ERROR - AZIMUTH OF FIRE NOT IN SECTOR **ACK**

① BLANK: No selection made

Selection made:

“TYPE AZIMUTH BETWEEN 0 AND 6399 MILS”

“PRESS ENT KEY”

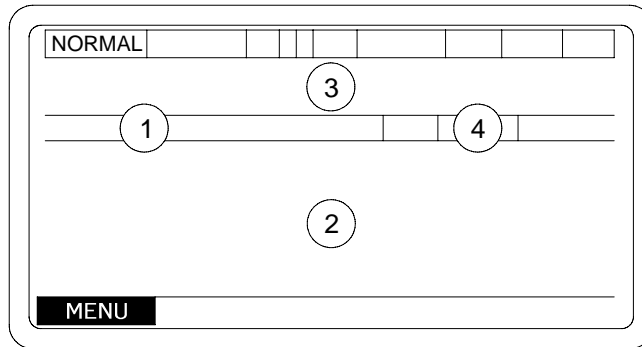
NOTE

- Operator entered Sector of Fire data will be used by the AFCS during Move Orders to help orient the vehicle during emplacement at a Firing Point/Firing Area.
- During Emplacement after a Move Order, this AOF will be “Base Azimuth” for 3200 Deflection.
- SECTOR OF FIRE entered by the operator will be used to calculate ballistic. If FDC has not sent SECTOR OF FIRE for prescribed location (FIRING AREA/POINT).

L-6 AFCS INITIALIZATION - Continued

L-6.2 Initializing - Continued

- (c) When all correct data has been entered, press USE ALL key to enter data. The following message will be displayed: "ARE YOU SURE" "YES" "NO". If "YES" is selected, the sector of fire will be updated and the display will return to SETUP AND INFORMATION menu. If "NO" is selected, the message will be removed for re-entry of data. Operator entered Sector of Fire data will update the Site Data display.
- (d) When all initialization data (Asterisk items from SETUP AND INFORMATION menu) has been entered, and the navigation subsystem alert "OK TO MOVE OR SHOOT", "ACK" has been displayed and the ACK key pressed, then press CANCEL key on SETUP AND INFORMATION menu to bring up a SECTION IN ORDER AT INITIALIZATION POINT display.



06pc138m

- ① "FPF/PRI EXISTS" FPF/PRI TARGET EXISTS IN STORED TARGET TABLE
"NO FPF/PRI EXISTS" - FPF/PRI TARGET DOES NOT EXIST IN STORED TARGET TABLE
- ② "SECTION IN ORDER AT LOGISTICS POINT" - ARRIVAL LOCATION IS LOGISTICS POINT
"SECTION IN ORDER AT INITIALIZATION POINT" - ARRIVAL LOCATION IS INITIALIZATION POINT
- ③ **DO NOT MOVE** - NO FPF/PRI EXISTS
DO NOT MOVE / DO NOT LOAD - FPF-PRI TARGET EXISTS
- ④ TUBE TEMPERATURE STATUS

L-6 AFCS INITIALIZATION - Continued

L-6.3 Initialization After an Orderly Shutdown.

WARNING

When operating the PLGR on external power with BA-5800 lithium battery installed, the battery may explode. Ensure battery is removed before connecting power cable to prevent serious injury or death.

NOTE

M93 MVS must be installed and connected prior to turning the vehicle MASTER power switch ON.

During AFCS operation, it may become necessary to power down and then back up; e.g., a system lockup occurs.

NOTE

After AFCS has been powered down, the AFCS will power up and be operational in approximately 3-4 minutes.

Power down in this form causes an orderly shutdown, and some of the AFCS data is saved. An orderly shutdown also occurs when the power is turned off after normal operations. Some of the data saved on orderly shutdown is Network Setup, Ammo Inventory, Navigation Data (location where system was powered down), TOT Response, Load Elevation, and the last operator-entered Sector of Fire. When the system is turned back on from an orderly shutdown, step-by-step initialization is not necessary, although action on all asterisk marked items on the SETUP AND INFORMATION menu must be accomplished. The process for initialization after an orderly shutdown is as follows:

- a. System Power Up. Set MASTER switch and Power Conditioner Unit circuit breakers to ON.

With the PLGR in the PLGR mount and all external cables attached, press the ON/BRT key on the PLGR key pad. The PLGR should power up automatically and perform its self-test (BIT). Operate the PLGR in accordance with the PLGR TM 11-5825-291-13.

If the PLGR does not have a current key (i.e. the PLGR was previously "zeroized", newly installed or the key has expired), then load a valid key in accordance with the PLGR TM 11-5825-291-13, Section 3.6.

NOTE

To load a key, the DRUH must be off, or the P4 DRUH-PLGR Signal Connector must be disconnected to cause a PLGR COM FAIL. Simple re-attachment of P4 DRUH-PLGR Signal Connector after PLGR keying will automatically cause DRUH-PLGR communications to resume if DRUH is on.

If the PLGR antenna has a clear view of the sky, turn PLGR on. If the antenna's view of the sky is blocked (e.g. the vehicle is in a building, under tree cover or parked next to a large structure), move vehicle until the PLGR is clear.

If the vehicle cannot be moved, keep PLGR turned off until the vehicle can be moved to a location with a clear view of the sky.

L-6 AFCS INITIALIZATION - Continued

L-6.3 Initialization After an Orderly Shutdown - Continued

NOTE

- If the PLGR is off, the Navigation Subsystem will still accept initialization data from the AFCS for inertial operation and the Navigation System will operate as before.
 - Guidelines for conditions and times for the PLGR to obtain position data acceptable by the AFCS.
- (1) If the antenna has a clear view of the sky and PLGR has a valid position, current GPS time, current GUV key, and has stored a current satellite almanac, PLGR will be acceptable for use in about three minutes following the first turn-on of the day. It will take about 90 seconds for subsequent turn-ons. These are the normal operating conditions.
 - (2) If the antenna has a clear view of the sky and PLGR has a current GUV key but the PLGR doesn't have a valid position, current GPS time, or current satellite almanac, it may take up to 20 minutes after turn-on for the PLGR to output data of acceptable accuracy.
 - (3) If the PLGR has a valid position, current GPS time, current key, and current satellite almanac, but the antenna is masked from a clear view of the sky when PLGR is turned on, it may take up to 20 minutes to get acceptable data after the vehicle is moved to a location with a clear view of the sky. This results from the PLGR initiating a search for all possible satellites if it can't lock on to those expected, for its current position, time, and almanac, within a reasonable time interval.
 - (4) If the PLGR doesn't have a current key, its data won't be acceptable for use by the AFCS. However, assuming a clear view of the sky, it can be turned on to initialize position, time, and satellite almanac in about 20 minutes. Then when a valid key is loaded, the PLGR will be ready to go within three minutes.

NOTE

M93 MVS must be installed and connected prior to turning the vehicle MASTER power switch on.

Make sure TRAINING switch on DU is OFF. Set POWER switch on DU to ON. When power is first applied to the AFCS, the display will be blank and the AFCS will automatically perform its internal self-test (BIT). Next a screen will be displayed with this message "AFCS OPERATING SYSTEM BOOT UP...PLEASE WAIT...", followed by an "INITIALIZATION IN PROGRESS..." screen.

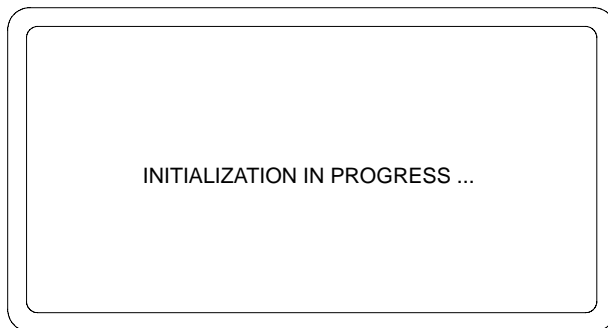
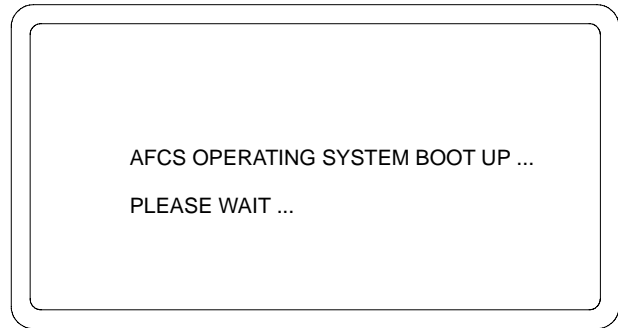
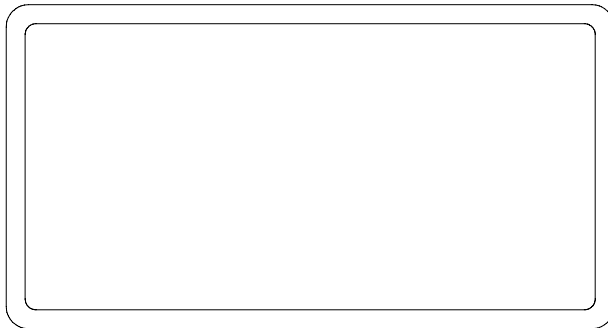
NOTE

- The time lapse between first three screens can range from 3 to 5 minutes.
- If screen stays blank for more than 7 minutes, power down system.

A "SYSTEM VERIFICATION FAILURE" screen may be displayed only if the SYSTEM VERIFICATION report indicates a failure.

L-6 AFCS INITIALIZATION - Continued

L-6.3 Initialization After an Orderly Shutdown - Continued



06pc414mo

After the AFCS powers up, the PLGR screen should read:

REMOTE CONTROL
Only ZEROIZE key
activated

At this point the PLGR key pad will become inactive. The only PLGR operation allowed using the key pad is EMERGENCY ZEROIZE.

If this message is not displayed on the PLGR screen, and the Low Priority Message "GPS OUT - PLGR DISCONNECTED" is not displayed on the DU, ensure that the DRUH-PLGR Signal Connector (P4) plug on the W17A cable is connected and secure. Once this PLGR screen is displayed, proceed with system initialization.

NOTE

- NAV SUBSYSTEM includes: VMS, DRUH, VMS Modems
- PCU SUBSYSTEM includes: PCU and both Back-Up Batteries
- The switches on the PCU are circuit breakers. They should be left ON at all times, so they will not wear out from being turned off and on constantly.

L-6 AFCS INITIALIZATION - Continued

L-6.3 Initialization After an Orderly Shutdown - Continued

- (5) This screen displays the subsystems that are checked by BIT. As the subsystems are checked, the dashed lines will change to a subsystem status (OK, DEGRADED, OUT, - -). The - - appears on the MVS status line when the AFCS could not be connected to the MVS. This screen also identifies the system software version.

V7.00							
POWER UP STATUS							
DCU	SUBSYSTEM						-
COMMO	SUBSYSTEM						-
NAV	SUBSYSTEM						-
WPN	SUBSYSTEM						-
PCU	SUBSYSTEM						-
1553	BUS						-
PDIU	SUBSYSTEM						-
MVS	SUBSYSTEM						-

06pc271t

In the event of a failure during POWER UP STATUS, the message, DEGRADED-ACK TO CONTINUE, will be displayed on the bottom line of the EL Panel. To continue, depress soft key under ACK. After the self-test is complete, SELECT OPERATIONAL MODE menu is displayed.

V7.00				NA W			
POWER UP STATUS							
DCU	SUBSYSTEM						OK
COMMO	SUBSYSTEM						OK
NAV	SUBSYSTEM			DEGRADED			
WPN	SUBSYSTEM						OK
PCU	SUBSYSTEM						OK
1553	BUS						OK
PDIU	SUBSYSTEM						OK
MVS	SUBSYSTEM						OK
DEGRADED - ACK TO CONTINUE							ACK

06pc244t

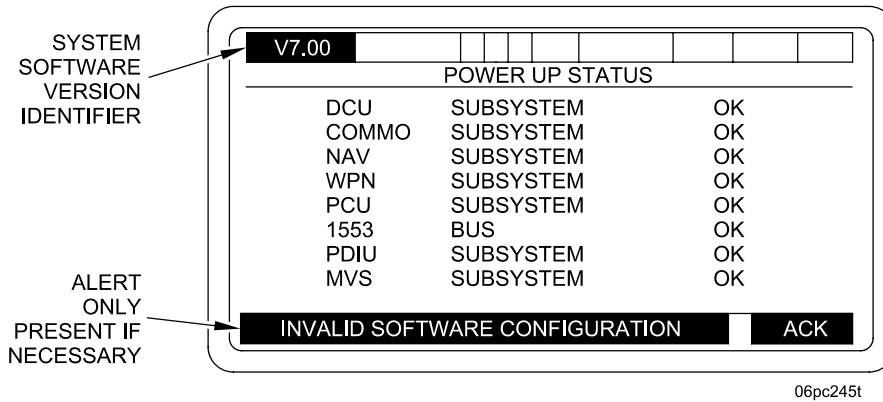
NOTE

If DCU contains an incorrect configuration, the AFCS will not allow the operator to select normal operations until a correct DCU software configuration is downloaded.

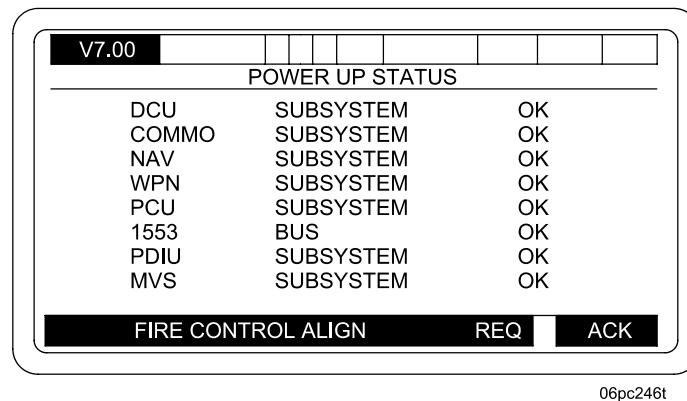
L-6 AFCS INITIALIZATION - Continued

L-6.3 Initialization After an Orderly Shutdown - Continued

When configuration verification checking indicates that an invalid howitzer software configuration is present, a short error message "INVALID SOFTWARE CONFIGURATION" "ACK" will appear on the soft key label line of the DU.



*Discuss Boresight entry requirements during initial POWER-UP and DU FAULT LAMPS



When the message is acknowledged, the AFCS will proceed to the "SELECT OPERATIONAL MODE" menu. To view detailed software configuration information for each LRU, MAINTENANCE should be selected, IAW procedure in para L-9.1.

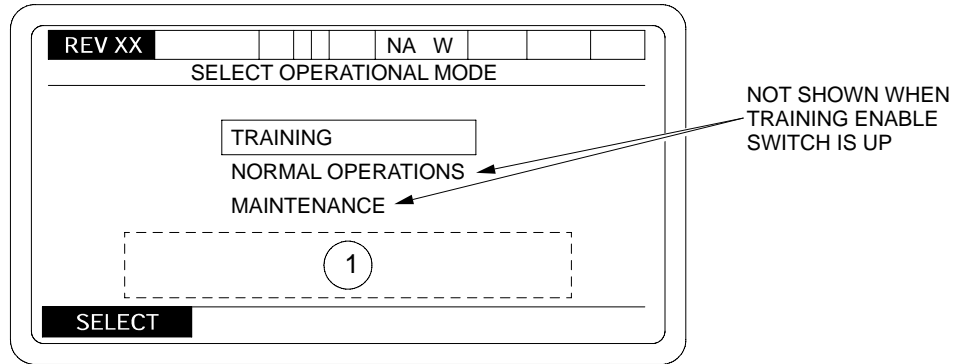
(6) Operational Mode Selection Menu.

This menu allows selection of the primary operating mode for the AFCS.

The selection structure shows the prompting for Embedded Training selection. Note that the TRAINING selection and the associated prompting will not be available if the Embedded Training Controller fails power-up BIT.

L-6 AFCS INITIALIZATION - Continued

L-6.3 Initialization After an Orderly Shutdown - Continued



06pc139m

- ① - WHEN TRAINING SWITCH IS UP:
 - POSITION TRAINING ENABLE SWITCH DOWN**
 - TO SELECT OTHER MODES**

- WHEN TRAINING SWITCH IS DOWN:
 - POSITION TRAINING ENABLE SWITCH UP**
 - TO SELECT TRAINING MODE**

b. Initialization.

NOTE

After an orderly shutdown, follow the procedures below. However, if a catastrophic failure happens within the system, go to para L-6.4.

Select NORMAL OPERATIONS on the SELECT OPERATIONAL MODE menu and press SELECT soft key. A NETWORK menu will be displayed.

- (1) NETWORK - Check data on the NETWORK menu for correctness against current data from POC/FDC and press FINISHED.

NOTE

To ensure efficient set up of the digital net, it is very important that NETWORK data be assigned and controlled by POC/FDC. Verify data per local SOP.

- (a) Only one network configuration will be active at any one time. The active configuration is identified by the label “*ACTIVE*” in the “STATUS” column.
- (b) Inactive configurations do not have anything displayed in the “STATUS” column.
- (c) TACFIRE configurations will not display anything in the “COMSEC” and “MODE” columns of the NETWORK screen.
- (d) 188-220 communications configurations identify the Device, Baud Rate, COMSEC and Mode. 188-220 configurations with any customized values identify the Device as “CUSTOM/R” for Radio and “CUSTOM/W” for Two-Wire.

L-6 AFCS INITIALIZATION - Continued

L-6.3 Initialization After an Orderly Shutdown - Continued

- (e) The AFCS will not reorder network configurations as a result of deletions.
- (f) The "FINISHED" and "VIEW" soft keys are not visible unless at least one configuration is defined.
- (g) Soft key sequencing shall be as follows:
 - SELECT soft key - If the highlighted configuration was previously defined, control transitions to NETWORK SETTINGS-SELECT CONFIGURATION OPTION display. If the highlighted configuration has not been defined, control transitions to NETWORK SETTINGS-STANDARD COMMUNICATION CONFIGURATION display (see para L-6.2c).
 - FINISHED soft key - When the operator presses the "FINISHED" soft key, the AFCS stores all defined network configurations and control transitions to Normal Operational Initialization Display.
 - VIEW soft key - When the "VIEW" soft key is pressed and the currently selected network configuration has been defined, control transitions to the NETWORK SETTINGS display (see para L-6.2e). When the "VIEW" soft key is pressed and the currently selected network configuration has not been defined, control does not transition.
- (h) AFCS supports 11 predefined communications configurations (see Table L-2).

NETWORK					
CFG	STATUS	DEVICE	BAUD	COMSEC	MODE
3		SINGGARS	4800N	CT	FH
6		SINGGARS	1200N	CT	FH
6	*ACTIVE*	CUSTOM/R	1200N	CT	FH
10		CUSTOM/W	32000	PT	SC
0		TACFIRE	1200		
8		CUSTOM	9600N	CT	FH

SELECT
FINISHED
VIEW

06pc322t

- (2) SET DATE/TIME - Select SET DATE/TIME on SETUP AND INFORMATION menu and press SELECT to display a SET DATE/TIME GROUP menu.

SETUP AND INFORMATION	
<ul style="list-style-type: none"> * SET DATE/TIME * FDC DATA XFER * SPHEROID/DATUM * NAV UPDATE * AMMO INVENTORY * PROP TEMP 	<ul style="list-style-type: none"> * TOT RESPONSE * LOAD ELEVATION * SECTOR OF FIRE RECEIVED MSG WARNING MSG MAX TUBE EL SITE DATA SEND CHECKFIRE

SELECT
NEXT PAGE
FAST INIT

06pc327ta

L-6 AFCS INITIALIZATION - Continued

L-6.3 Initialization After an Orderly Shutdown - Continued

NOTE

Use according to unit SOP.

If GPS data is available select "USE GPS".

PRESENT ONLY IF GPS IS AVAILABLE

CURSOR DEFAULT POSITION

06pc177t

NOTE

If GPS is not available or if POC has instructed you not to use GPS time, type in new DTG.

SELECT TIME ZONE - Enter SELECT TIME ZONE in accordance with unit SOP.

06pc178t

SELECT DAYLIGHT SAVINGS - Enter DAYLIGHT SAVINGS TIME in accordance with unit SOP.

06pc179t

L-6 AFCS INITIALIZATION - Continued

L-6.3 Initialization After an Orderly Shutdown - Continued

Contact the POC by voice radio to obtain the correct date/time data and a MARK. Type in date/time data (year, month, day, hour, minute) as given by the POC. If the data is entered incorrectly a message will be displayed stating "Invalid DTG Value," and you will have to re-enter the data. When this is done, another SET DATE/TIME GROUP menu will be displayed.

```

    SET LOCAL TIME
    -----
    ZULU   TIME   IS   99:02:05:1230:52
    LOCAL  TIME   IS   99:02:05:1230:52
    GPS    TIME   IS   99:02:05:1230

    TIME ZONE                Z
    DAYLIGHT SAVINGS        STANDARD

    SET LOCAL TIME __:__:__:__:
    
```

06pc180tb

When the FDC operator gives a countdown and announces MARK, press MARK. The AFCS and FDC time should now be synchronized. A SETUP AND INFORMATION menu is then displayed on the DU.

```

    SETUP AND INFORMATION
    -----
    * SET DATE/TIME
    * FDC DATA XFER
    * SPHEROID/DATUM
    * NAV UPDATE
    * AMMO INVENTORY
    * PROP TEMP
    * TOT RESPONSE
    * LOAD ELEVATION
    * SECTOR OF FIRE
    RECEIVED MSG
    WARNING MSG
    MAX TUBE EL
    SITE DATA
    SEND CHECKFIRE

    SELECT  NEXT PAGE  FAST INIT
    
```

06pc327t

NOTE

The FDC DATA TRANSFER must be done each time you initialize the AFCS, if the POC/FDC is operational.

- (3) FDC DATA TRANSFER - To obtain current initialization data (current MET, registration data, etc.), select FDC DATA XFER on SETUP AND INFORMATION menu. Press SELECT soft key to display a FDC DATA TRANSFER menu.

L-6 AFCS INITIALIZATION - Continued

L-6.3 Initialization After an Orderly Shutdown - Continued

The INITIALIZATION menu item will be automatically boxed and the operator will be prompted to press “YES” or “NO”. Pressing “YES” will cause a message to be sent to FDC requesting initialization data. If you know that FDC is not operational, pressing “NO” will clear the * from FDC DATA XFER on the SETUP AND INFORMATION menu.

06pc328ta

- (4) ENTER SPHEROID/DATUM - The FDC DATA XFER, INITIALIZATION data includes a SPHEROID/DATUM, but does not transfer the necessary map DATUM. To input the correct DATUM, box in the “ENTER SPHEROID/DATUM” and press the SELECT key. This brings up the SPHEROID/DATUM entry menu.

06pc249ta

Check to see that all the data is correct. If it is correct, press the USE ALL key, and proceed with the initialization. If an entry is not correct, select that field and make corrections.

NOTE 1 SELECTION OF THIS FIELD WILL DISPLAY SELECT SPHEROID MENU.

NOTE 2 FIELD IS ONLY PRESENT IF USER DEFINED (USRDEF) SPHEROID IS USED.

L-6 AFCS INITIALIZATION - Continued

L-6.3 Initialization After an Orderly Shutdown - Continued

When grid zone is selected, the following will be displayed:

NORMAL						C			
SPHEROID/DATUM ENTRY									
SPHEROID		WE		GRID ZONE					1
DATUM		WE							
TYPE GRID ZONE 1 TO 60 - PRESS ENT KEY -									
									CANCEL

06pc250t

When DATUM is selected, SELECT DATUM menu is displayed:

NORMAL						C			
SELECT DATUM									
BUR	BUKIT RIMPAH								
BAT	DJAKARTA BATAV								
GSE	GUNUNG SEGARA								
MAS	MASSAWA								
TOY-M	TOKYO (MEAN)								
USRDEF	USER DEFINED								
SELECT					CANCEL				

06pc253t

Box in the correct DATUM and press the SELECT key. The DATUMs available are dependent on the SPHEROID selected. See Table (Appendix J.1) AFCS/FDC DATUM AND SPHEROID for SPHEROID/DATUM combinations.

L-6 AFCS INITIALIZATION - Continued

L-6.3 Initialization After an Orderly Shutdown - Continued

NOTE

The reference frame for UTM position coordinates is a DATUM. Typically, a Local DATUM is defined by an ellipsoidal earth model (SPHEROID) and a starting point (origin) for the coordinate system. Coordinates on a map or in a Trig list (SCPs) often are on a Local DATUM. An example of a Local DATUM is the North American 1927 (NAD 27) DATUM used in the United States. There have been many different Local DATUMs developed. GPS computes position on the World Geodetic System 1984 (WGS 84), a worldwide coordinate system. To use GPS with coordinates on a Local DATUM, the coordinates must be mathematically shifted. The AFCS (DRUH and PLGR) can automatically perform DATUM shifting, but first the operator must select the Local DATUM to be used, or provide the appropriate shift parameters. For AFCS operation, Local DATUMs are represented by two sets of parameters: The Local Ellipsoid (SPHEROID) and shift parameters as defined for each Local DATUM (DATUM IDs). The FDC can provide the SPHEROID. But the FDC cannot provide the Local DATUM. Therefore the operator must enter it. The SPHEROID selected will determine which DATUM IDs will be available for selection. The AFCS/FDC SPHEROID and DATUM TABLE provides the SPHEROID number for the AFCS and FDC, which DATUM IDs are available for that SPHEROID number and the normal coverage area. Note that there may be more than one DATUM ID associated with a Local DATUM because the shifts vary by locality. For other DATUMs or areas outside the indicated coverage area, User Defined (USRDEF) Datum shifts may be entered manually. The table is not intended as an absolute. A map sheet will identify the DATUM name, Ellipsoid (SPHEROID) name and the coordinate type, or the map sheet will identify the area. The data from a Trig list should identify the same information. These parameters must be correlated to the DATUM ID. If the applicable DATUM ID hasn't been programmed in the AFCS, shift parameters for many other DATUMs and regions have been published in DMA TR 8350.2 and may be entered thru the DATUM X, Y and Z offsets. Note that the AFCS cannot accept shift parameters for all Datums because its SPHEROID capability is limited to those listed in the AFCS/FDC Table1.

L-6 AFCS INITIALIZATION - Continued

L-6.3 Initialization After an Orderly Shutdown - Continued

If the DATUM USR DEF is selected, then the DATUM X, Y, and Z offsets must be entered. These values must be obtained from the POC and should only be used with guidance from Battery Commander. The ENTER USER DATUM PARAMETERS page should look like:

06pc254t

When DATUM OFFSET is selected:

Type -2000.0 TO +2000.0:
Press ENT key.

When DATUM OFFSET Y is selected:

Type -2000.0 TO +2000.0:
Press ENT key.

When DATUM OFFSET Z is selected:

Type -2000.0 TO +2000.0:
Press ENT key.

After all the correct data has been entered, press the USE ALL key to clear and return to the main menu.

- (5) NAVIGATION UPDATE - Select NAV UPDATE and press SELECT soft key to display a NAVIGATION SUBSYSTEM UPDATE menu.

NOTE

- If vehicle has not been moved since orderly shutdown, the Navigation Subsystem will initiate a Stored Heading Align, which will be completed in about 90 seconds.
- If vehicle has been moved since orderly shutdown, move vehicle to a survey point and enter survey data.

L-6 AFCS INITIALIZATION - Continued

L-6.3 Initialization After an Orderly Shutdown - Continued

Check data for correctness. If correct, press USE ALL soft key. The prompt, NAV POSITION UPDATE TO START, ARE YOU SURE (YES OR NO), will be displayed. Make proper selection. Press the YES key to RESTART the Navigation Subsystem and display the SETUP AND INFORMATION menu.

Press the NO key to redisplay Navigation Subsystem Update menu. Make corrections or press CANCEL to display SET UP AND INFORMATION menu.

NORMAL								
NAVIGATION SUBSYSTEM UPDATE								
EASTING	500000							
NORTHING	100							GET CURR NAV POSN
ALTITUDE	0							
GRID ZONE	1							GET LAST ENT POSN
HEMISPHERE	NORTH							GET CURR GPS POSN
SPHEROID	2							NAV POSITION UPDT
DATUM	USRDEF							
SELECT		USE ALL			CANCEL			

06pc144m

- (6) AMMO INVENTORY - Select AMMO INVENTORY on the SETUP AND INFORMATION menu. Press SELECT soft key to display INVENTORY MANAGEMENT menu.

NORMAL								
INVENTORY MANAGEMENT								
- INVENTORY UPDATE REQUIRED -								
UPDATE SHELL INVENTORY								
UPDATE PROP INVENTORY								
UPDATE FUZE INVENTORY								
PRESS FINISHED TO INDICATE								
INVENTORY UPDATE COMPLETE								
SELECT		FINISHED			CANCEL			

MESSAGE ONLY APPEARS
IF FIRE MISSION
RECEIVED BEFORE
OPERATOR VERIFIED
AMMO FROM PREVIOUS
MISSION

06pc145m

NOTE

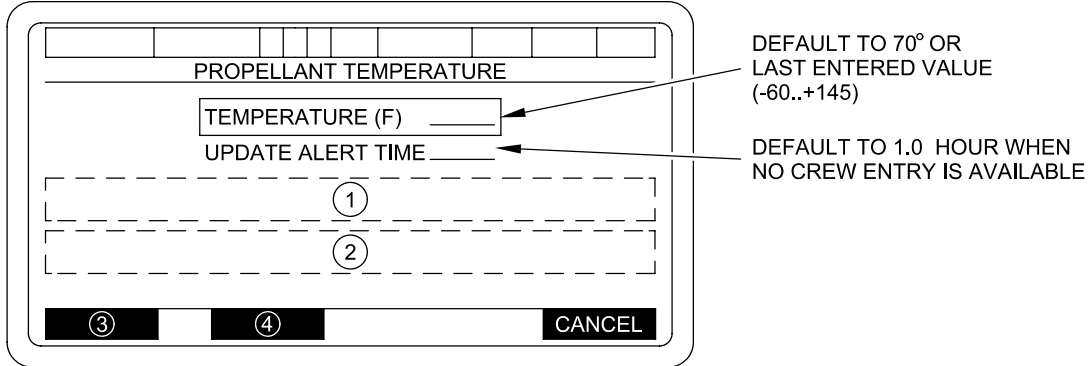
If a fire mission is activated while in any of the ammunition inventory sub-menus, all valid complete entries shall be saved.

If the ammunition inventory is current, press FINISHED soft key to display the SETUP AND INFORMATION menu. If ammunition inventory is not current, to enter ammunition data, refer to para L-6.2.

L-6 AFCS INITIALIZATION - Continued

L-6.3 Initialization After an Orderly Shutdown - Continued

- (7) PROPELLANT TEMPERATURE - Select PROP TEMP on SETUP AND INFORMATION menu. Press SELECT key to display a PROPELLANT TEMPERATURE menu.



DEFAULT TO 70° OR
LAST ENTERED VALUE
(-60..+145)

DEFAULT TO 1.0 HOUR WHEN
NO CREW ENTRY IS AVAILABLE

① TIME TO GO XX:XX (HOURS:MINUTES) OR TIME EXCEEDED 06pc146ma

② WHEN TEMPERATURE SELECTED
TYPE TEMPERATURE IN FAHRENHEIT
DEGREES -60 TO +145
- PRESS ENT KEY -

WHEN UPDATE ALERT TIME SELECTED
TYPE UPDATE TIME IN 0.5 HOUR
INCREMENTS 0.5 TO 2.0
- PRESS ENT KEY -

③ BLANK - WHEN TEMPERATURE OR UPDATE ALERT TIME SELECTED
SELECT - WHEN ITEM IS NOT SELECTED

④ USE ALL - WHEN NO ITEM IS SELECTED
+/- WHEN TEMPERATURE IS SELECTED
BLANK - WHEN UPDATE ALERT TIME IS SELECTED

L-6 AFCS INITIALIZATION - Continued

L-6.3 Initialization After an Orderly Shutdown - Continued

If displayed temperature and update alert time are correct, press USE ALL key. If another temperature or alert time entry is necessary, box the desired item and press SELECT key. Type in new temperature or alert time and press ENT key. When entries are correct, press USE ALL key. The SETUP AND INFORMATION menu will be displayed.

- (8) TOT RESPONSE - To access the TOT RESPONSE menu, press NEXT PAGE key to display next page of SETUP AND INFORMATION menu.

Select TOT RESPONSE and press SELECT to display a TOT RESPONSE menu.

Type in desired time to be used and press ENT key. The SETUP AND INFORMATION menu will be displayed.

06pc135m

- (9) Select LOAD ELEVATION on the SETUP AND INFORMATION menu. Press SELECT key to display a TUBE LOAD ELEVATION menu.

CAUTION

Do not enter an elevation greater than 300 mils. Settings above 300 mils may result in breech failing to close and could cause unnecessary wear on spring pack.

NUMERIC FIELD LOAD ELEVATION -200..1333 MILS
DEFAULT TO CURRENT LOAD ELEVATION

hipc4047

If load elevation shown is the desired elevation, press ENT key. If a new elevation is desired, type in desired elevation and then press ENT key. The SETUP AND INFORMATION menu will be displayed.

L-6 AFCS INITIALIZATION - Continued

L-6.3 Initialization After an Orderly Shutdown - Continued

- (10) Select SECTOR OF FIRE on SETUP AND INFORMATION menu. Press SELECT soft key to display a DEFINE SECTOR OF FIRE menu.

DEFINE SECTOR OF FIRE

LEFT LIMIT OF SECTOR _____

AZIMUTH OF FIRE _____

RIGHT LIMIT OF SECTOR _____

SELECT USE ALL CANCEL

06pc205tc

If data displayed on menu is desired sector of fire, press USE ALL soft key. If a change is needed, select area to be changed, type in change and press ENT key. Repeat for additional changes, when complete press USE ALL soft key. The following message will be displayed: "ARE YOU SURE" "YES" "NO". If "YES" is selected, data will be updated and the display will return to SETUP and INFORMATION menu. If "NO" is selected, the message will be removed for re-entry of data. A POS UPDATE or NAV RESTART must be performed if the changes are to be used by the AFCS.

- (11) SECTION IN ORDER - When navigation alignment time has been completed, or message "OK TO MOVE OR SHOOT" "ACK" has been acknowledged, a CANCEL prompt will appear on the SETUP AND INFORMATION menu. Press CANCEL to display the SECTION IN ORDER AT INITIALIZATION POINT screen.

The AFCS system is now initialized and can perform missions as directed.

NORMAL

DO NOT MOVE

NO FPF/PRI EXISTS

SECTION IN ORDER
AT INITIALIZATION POINT

MENU

06pc148m

L-6 AFCS INITIALIZATION - Continued

L-6.4 Initialization After a Catastrophic Failure.

- a. If a catastrophic failure (e.g., sudden loss of power of PCU) occurs, it is possible that no data at all will be saved by the AFCS. In this case, a step-by-step-system initialization must be done.

NOTE

- Position data must be recorded prior to pressing ARRIVED key during emplacement. If time permits the crew should also set out collimator or select a DAP and set 3200 Deflection on the PANTEL on Center of Sector (Base Azimuth).
 - To be able to react quickly to re-initialize a failed AFCS, a Platoon SOP voice request procedure from crew to POC to send all required data messages from FDC may be helpful. Data that would be useful from FDC are: INITIALIZATION (Subscriber File, Map Mode, MET, Registration), MUZZLE VELOCITY, Current Position (to include Sector of Fire) and Propellant Temp (PIECE STATUS), SITE STATUS, and AMMO STATUS.
- b. Getting Data. To return to Section in Order as fast as possible after a catastrophic failure of the AFCS, return the tube to travel lock before shutting AFCS power off. Wait about 5 seconds, then turn AFCS power on. Begin the Initialization process as normal, working off the * menu items on the SETUP AND INFORMATION menus. If FDC has current data, get as much data as you can from FDC. This data can be obtained as follows:
 - (1) Box FDC DATA XFER on the SETUP AND INFORMATION menu and press SELECT key. The INITIALIZATION item under the GET column will be boxed as usual. Press YES to transmit the request for INITIALIZATION data (Subscriber File, Map Mode, MET and Registration).
 - (2) Next, box MUZZLE VELOCITY under the GET column and press SELECT key. Press YES key to transmit the request to FDC.

NOTE

The AFCS automatically uses the Muzzle Velocity data sent by FDC. No further action is necessary by the crew.

- (3) Repeat the last step for PIECE STATUS, SITE STATUS, and AMMO STATUS.
- (4) Once all requests have been sent, press CANCEL key to move to the next initialization step on the SETUP AND INFORMATION menu.

L-6 AFCS INITIALIZATION - Continued

L-6.4 Initialization After a Catastrophic Failure - Continued

c. Nav Update.

- (1) Use your current position data that you recorded upon emplacement.
- (2) If POC has a current location where the failure occurred, use that data for navigation initialization. To use position data obtained from FDC in the step above, box NAV UPDATE on the SETUP AND INFORMATION menu, press SELECT key and a NAV SUBSYSTEM UPDATE menu will be displayed. Box GET FDC PRPT POSN and press SELECT key. Press USE ALL key, and AFCS will use the FDC reported position data and return to the SETUP AND INFORMATION menu.
- (3) Another howitzer with an operational DRUH and AFCS can pull into failed howitzer's position (left hub to left hub) and provide navigation data to be entered on the keyboard.

NOTE

If no FDC-provided Move Order is expected after AFCS initialization, then the Sectors of Fire must be changed to those provided by the FDC prior to the failure. Sector of Fire entries must be completed prior to inputting a manual Move Order.

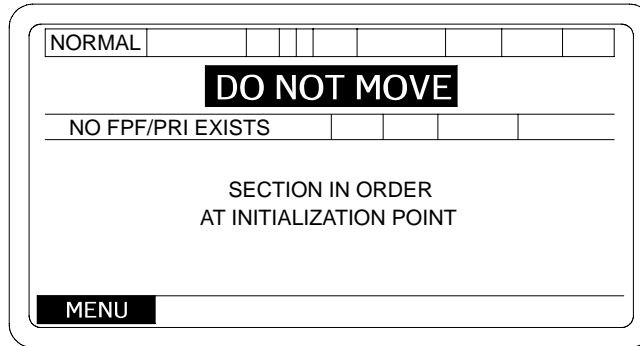
- (4) The failed howitzer can be taken to a surveyed point and navigation initialized from survey data.
- d. Ammo Inventory. To use ammunition inventory data obtained from FDC in the step above, box AMMO INVENTORY on the SETUP AND INFORMATION menu, press SELECT key and INVENTORY MANAGEMENT menu will be displayed. Box EDIT FDC PROVIDED and press SELECT key. When the FINISHED key is pressed the ammunition inventory shall be reviewed to insure each group of projectiles has at least one propellant and each group of propellants has at least one projectile. If a projectile is found without a propellant or a propellant without a projectile, AFCS will display PROJECTILE/PROPELLANT MISMATCH menu. Pressing the CONTINUE Softkey on this menu will return operator to the INVENTORY MANAGEMENT menu, at which time the operator has to update SHELL/PROP inventory. On the next INVENTORY MANAGEMENT menu, press FINISHED to accept the FDC PROVIDED data. If you want to check the ammo inventory for accuracy, then box and select UPDATE SHELL, UPDATE PROP, and UPDATE FUZE one at a time (para L-6.2k(5)).
- e. Site Definition. To use Site data obtained from FDC in the step above, box SITE DATA on the SETUP AND INFORMATION menu, press SELECT key and SITE DEFINITION menu will be displayed. Box GET FDC SITE and press SELECT key (This option will only be available if the POC has sent an AFU mask to the AFCS). Press USE ALL, and the FDC provided Site Data will be used by the AFCS.

L-7 AFCS TRAVEL MODE.

During the travel mode the navigation system provides a continuous position data display to the operator. The data displayed on the EL Panel will show UTM coordinates for both position and destination. Also included is a graphic display showing where the vehicle is traveling in relation to destination. After alignment, the AFCS will automatically go into travel mode when the howitzer starts to move.

L-7.1 Movement.

Once the howitzer has been initialized and the navigation system has had time to align, a CANCEL SOFTKEY will appear on the main menu. To view a SECTION IN ORDER AT INITIALIZATION POINT screen, press the CANCEL SOFTKEY



06pc148m

NOTE

- DO NOT MOVE the howitzer until you see OK TO MOVE OR SHOOT, ACK message.
- You may then move the howitzer or accept fire missions, but you can expect ZUPT requests during moves if the ALN_ _ _S is still counting down.

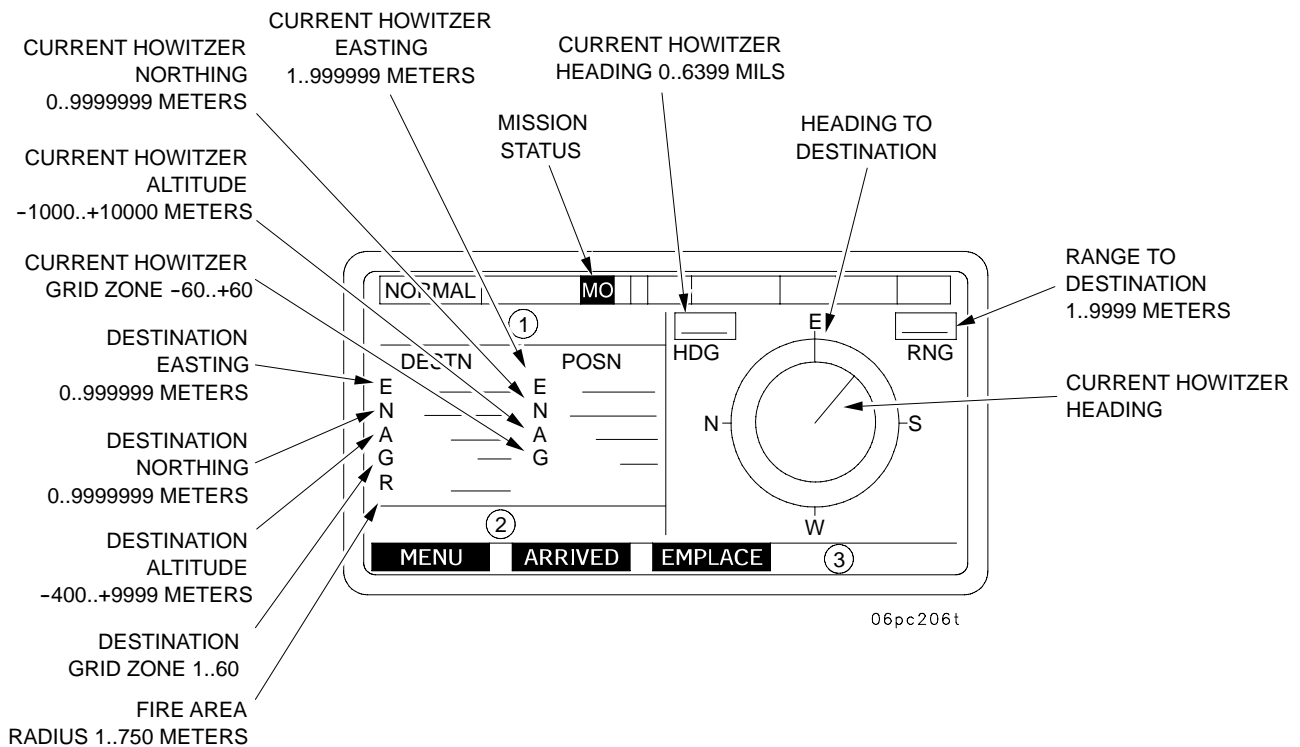
L-7.1.1 Move Order. Upon receipt of a Move Order, an audio alert will sound and an OPERATOR ALERT and a STEERTO/EMPLACEMENT screen will automatically appear if the system display was at a SECTION IN ORDER screen. If the SET UP AND INFORMATION screen is displayed a MOVE ORDER alert will appear in field 3 of the screen, and an OPERATOR ALERT, "MOVE MISSION" "ACK", will be displayed and the CANCEL soft key must be pressed to display the STEERTO/EMPLACEMENT screen. Once the vehicle has moved about 25 meters an audible and soft key alert "PRESS ACK WHEN TUBE STOWED" "ACK" will be displayed. Acknowledge the tube is stowed and press "ACK" soft key.

L-7 AFCS TRAVEL MODE - CONTINUED

L-7.1 Movement - Continued

L-7.1.1 Move Order - Continued

STEERTO display screens:



- ① “STEERTO FIRE AREA” - Destination is Fire Area
 “STEERTO INIT POINT” - Destination is Initialization point
 “STEERTO LOG POINT” - Destination is Logistics Point
 “STEERTO FIRE POINT” - Destination is Fire Point

- ② “ORDERED MOVE IN PROGRESS”
 “STOP MOVING AND WAIT”
 “MOVE IN PROGRESS”
 “NO AUTHORITY OR ORDERS TO MOVE”
 “AWAITING START OF ORDERED MOVE”
 “DO NOT START ORDERED MOVE”

- ③ “ZUPT REQUIRED”
 “NAV POS UPDATE REQUIRED”

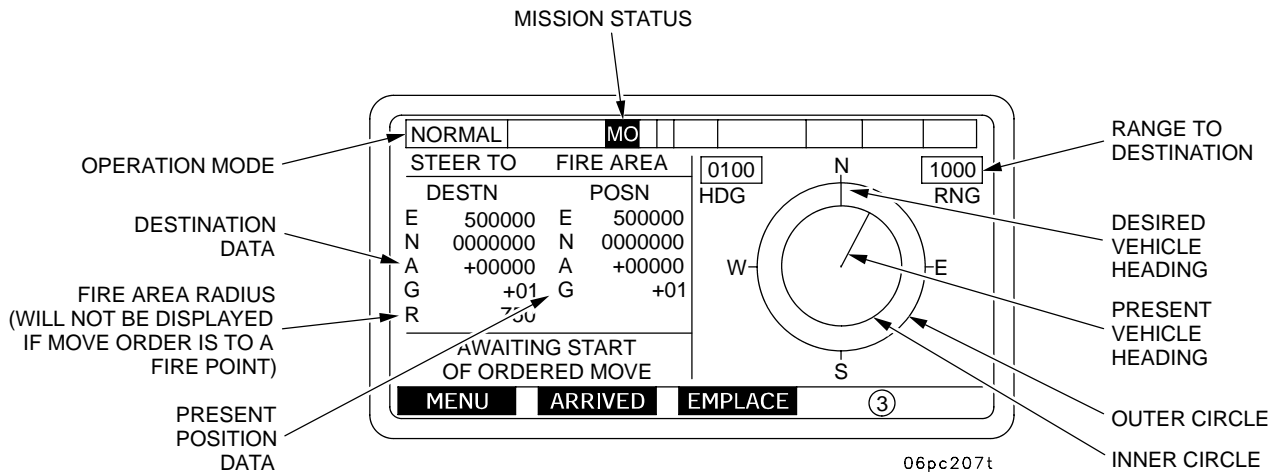
L-7 AFCS TRAVEL MODE - CONTINUED

L-7.1 Movement - Continued

L-7.1.1 Move Order - Continued

The STEER TO FIRE AREA screen contains the following:

- MO - Describes Move Order status.
- Deleted.
- DESTN - Indicates destination coordinates: (E) Easting, (N) Northing, (A) Altitude, (G) Grid Zone, (R) Radius of operating area,
- POSN - Indicates present howitzer position: (E) Easting, (N) Northing, (A) Altitude, (G) Grid Zone.
- HDG - Howitzer's numerical heading in Mils (Azimuth).
- RNG - Range to destination in radial distance.
- Graphic Display - N, E, S, W on outer circle, indicates North, East, South and West and rotates like a compass. The line running from the center of display to edge of the inner circle indicates present vehicle heading. The line between the inner and outer circle indicates the desired heading. When these two lines are aligned, the vehicle is traveling toward destination.



L-7 AFCS TRAVEL MODE - CONTINUED

L-7.1 Movement - Continued

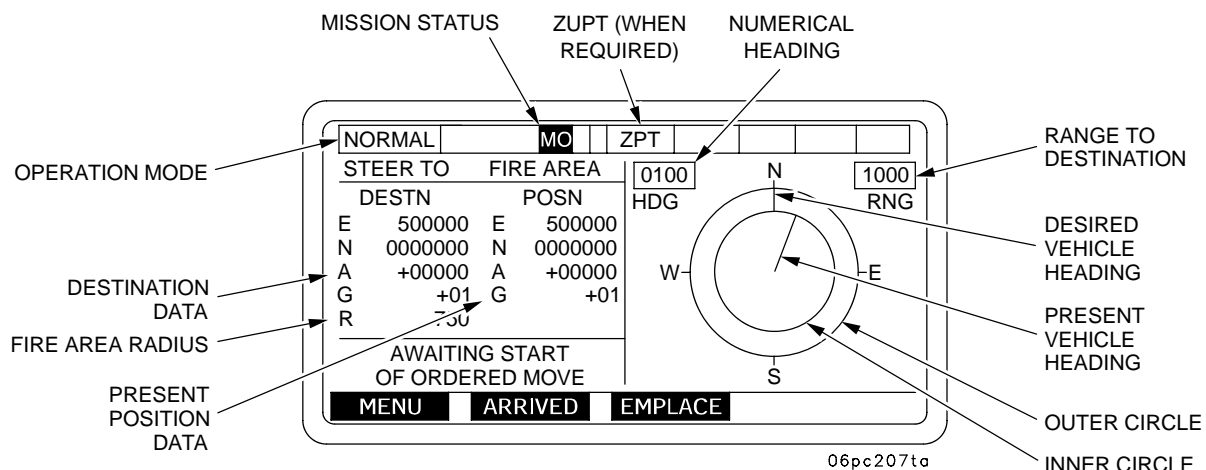
L-7.1.2 Moving. During movement of the howitzer, the STEER TO FIRE AREA screen will assist the operator in locating his destination. While the howitzer is on the move, the following will occur:

- The graphic portion of the display will indicate the howitzer's movement by the outer circle of the display moving according to the vehicle heading. The line from center of the display to the inner circle will move as the howitzer changes directions.
- The alphanumeric portion of the display under POSN will provide the operator with his current position constantly. The display above HDG will change as the howitzer changes headings and the display above RNG will change to indicate whether the movement is away from destination (increase) or toward destination (decrease).
- Navigation system update may occur (zero velocity update) to maintain location accuracy.

L-7.1.3 Zero Velocity Updates. "Periodic Zero Velocity Updates (ZUPT) may be required if the VMS fails or is out, and the GPS is not valid. ZUPTs are required to increase the accuracy of the Navigation Subsystem. To insure proper Navigation Subsystem Operation and to maintain system performance accuracies, ALL Requested ZUPTs must be honored." When an update is required, the AFCS will notify the operator with an audible alert and "ZPT" will appear in Field 6 and a soft key alert "ZUPT REQUIRED", "ACK". To accomplish a ZUPT, perform the following steps:

- Stop the vehicle as soon as possible after the alert (the less time traveled between each ZUPT, the better the system accuracy).
- Press ACK key to acknowledge operator alert.
- Remain stopped until ZUPT is complete. ZUPT is done automatically during this period.

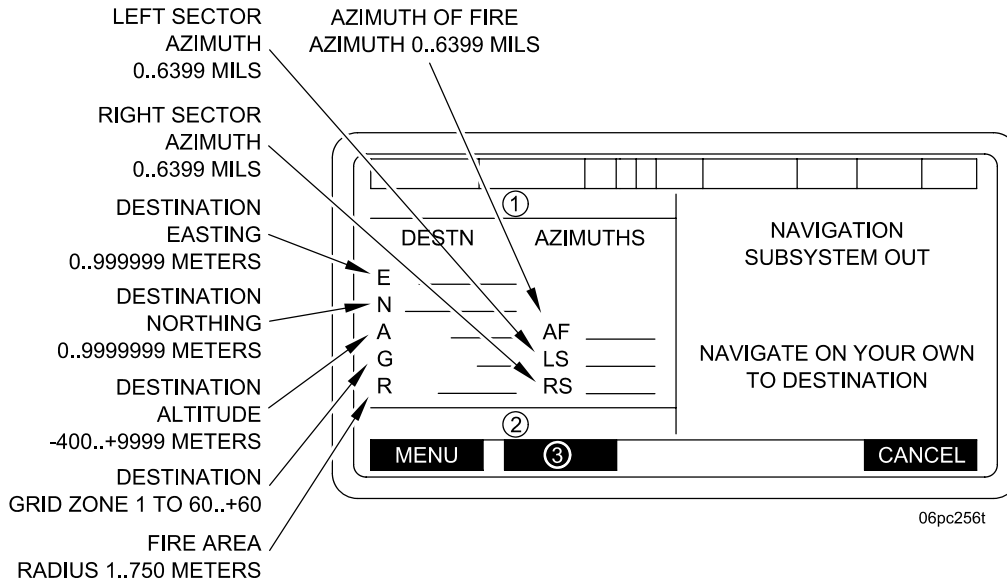
When the ZUPT is complete, another operator alert will be displayed, "ZUPT NO LONGER REQUIRED", "ACK". "ZPT" is no longer displayed in status line. Press ACK key, then vehicle movement can be continued.



L-7 AFCS TRAVEL MODE - CONTINUED

L-7.1 Movement - Continued

L-7.1.4 Moving with Navigation System Degraded. If a navigation system failure occurs while the howitzer is moving, the operator will be alerted visually with a NAVIGATE ON YOUR OWN TO DESTINATION display. The chief of section must use established navigation procedures to reach the destination shown. If only the PLGR is operational there will be no HDG information on the display.



- ① “DEGRADED FIRE AREA” - Destination Is Fire Area
 “DEGRADED INIT POINT” - Destination Is Initialization Point
 “DEGRADED LOG POINT” - Destination Is Logistics Point
 “DEGRADED FIRE POINT” - Destination Is Fire Point

- ② “ORDERED MOVE N PROGRESS”
 “STOP MOVING AND WAIT”
 “MOVE IN PROGRESS”
 “NO AUTHORITY OR ORDERS TO MOVE”
 “AWAITING START OF ORDERED MOVE”
 “DO NOT START ORDERED MOVE”

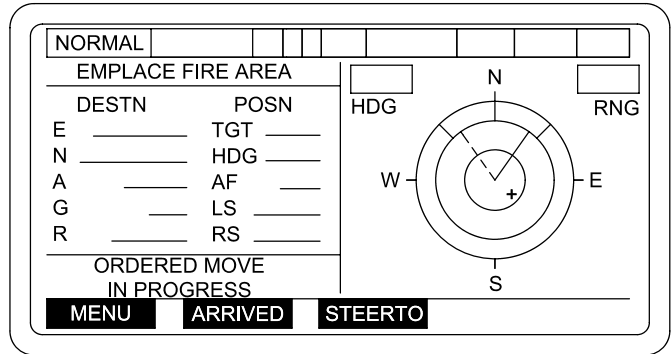
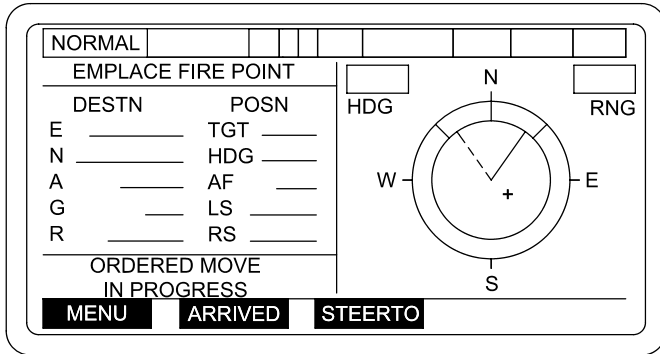
- ③ “MOVING” soft key only appears when the Navigation System is DEGRADED or OUT. Press “MOVING” soft key after vehicle starts moving to inform the navigation system that the vehicle is on the move. Press “ARRIVED” key when vehicle has arrived at destination.

L-7 AFCS TRAVEL MODE - CONTINUED

L-7.2 Emplacement Fire Point/Fire Area.

When the howitzer enters the radius the AFCS will display the Emplacement at a FIRING AREA/POINT screen depending on type of MOVE ORDER received.

The EMPLACE FIRE POINT screen is also used for DESTINATION TYPES, INITIALIZATION POINT and LOGISTICS POINT emplacement.

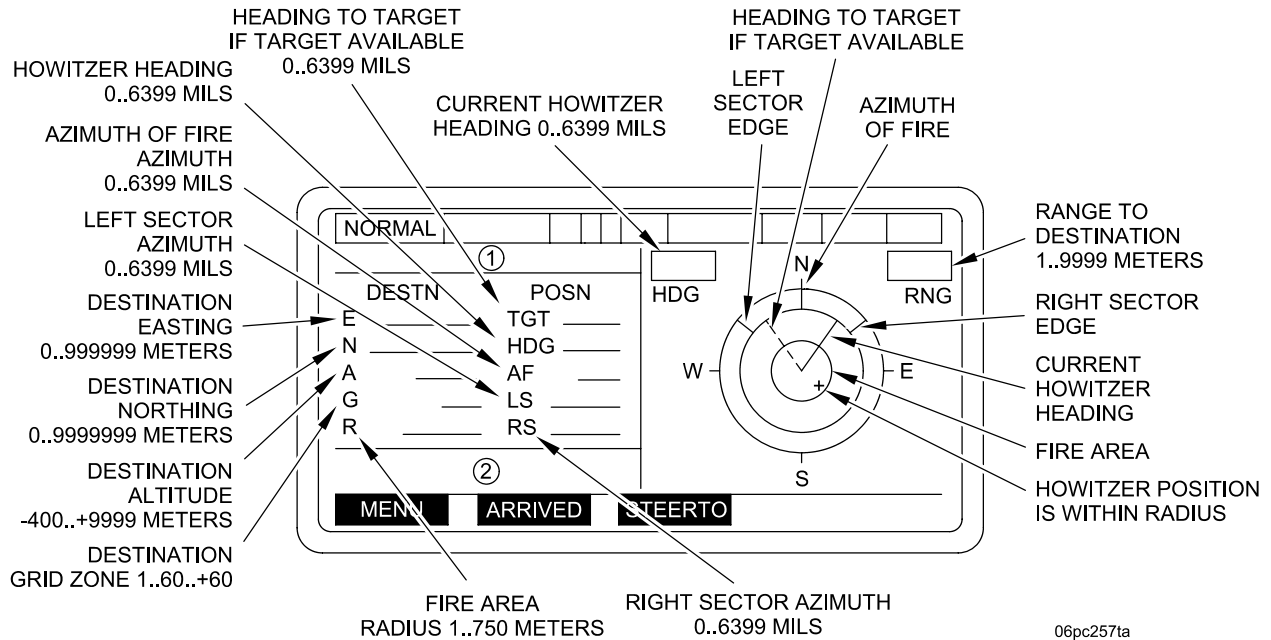


06pc257t

L-7 AFCS TRAVEL MODE - CONTINUED

L-7.2 Emplacement Fire Point/Fire Area - Continued

EMPLACE FIRE AREA Screen - The data on the EMPLACE FIRE AREA screen is the same as the STEER TO FIRE AREA screen with the following exceptions:



06pc257ta

- ① "EMPLACE FIRE AREA" - Destination Is Fire Area
 "EMPLACE INIT POINT" - Destination Is Initialization Point
 "EMPLACE LOG POINT" - Destination Is Logistics Point
 "EMPLACE FIRE POINT" - Destination Is Fire Point

- ② "ORDERED MOVE IN PROGRESS"
 "STOP MOVING AND WAIT"
 "MOVE IN PROGRESS"
 "NO AUTHORITY OR ORDERS TO MOVE"
 "AWAITING START OF ORDERED MOVE"
 "DO NOT START ORDERED MOVE"

L-7 AFCS TRAVEL MODE - CONTINUED

L-7.2 Emplacement Fire Point/Fire Area - Continued

- a. Plus Sign - Represents the vehicle. When the vehicle is within the allowable move area assigned by the Platoon Operation Center (POC), the "+" will appear on the display. As the vehicle moves, the plus sign will also move, indicating direction of travel.
- b. Inner Circle - Represents the Allowable Movement Area and will vary in size. This is determined by the radius of the Fire Area and is assigned by POC with a Move Order. This circle is an Emplacement Aid.

NOTE

- If EMPLACEMENT screen was accessed prior to arriving at next firing area the EMPLACEMENT screen may not display automatically.
 - Once the vehicle is within the inner circle (shown by the + sign) the CHIEF OF SECTION may choose his emplacement position to take advantage of terrain features.
- c. The line running from middle circle to outer circle between N and E represents Right Sector of Fire and the line between N and W represents Left Sector of Fire. The line under N represents Azimuth of Fire. The sector of fire is assigned by POC with the Move Order.
 - d. Solid Line - Represents the current heading. It extends from the center of the smallest circle to the edge of the middle circle. When this line is aligned with the line under the "N," the vehicle is travelling toward the ordered destination.
 - e. Dotted Line - Represents the gun-target line to a Final Protective Fire (FPF) target (if stored on AFCS) and is designated by the POC.
 - f. Destination - Represented by the intersection of the solid line and the dotted line at the center of the smallest circle.
 - g. Azimuths - Display of azimuths in Mils to TGT (FPF target if one exists), HDG (present howitzer heading), AF (Azimuth of Fire), LS (Left Sector of Fire), RS (Right Sector of Fire).

L-7 AFCS TRAVEL MODE - CONTINUED

L-7.2 Emplacement Fire Point/Fire Area - Continued

L-7.2.1 Emplacing. Once the plus sign is within the designated firing area the howitzer has reached its destination. The howitzer is then maneuvered until vehicle heading (solid line from the center of the smallest circle to the edge of the middle circle) is aligned as closely as possible with the Azimuth of Fire Line (center solid line between the middle and outer circle). When these lines are aligned, the howitzer is roughly laid on the Azimuth of LAY.

NOTE

- DRUH position data improves approximately 30 seconds after the howitzer is stopped. The chief of section has the option of awaiting this time and then pressing the ARRIVED soft key to achieve optimum positioning data. However, this option should not be considered during an emergency fire mission. (EMERGENCY MISSION)
- Before pressing ARRIVED key you must record your position data and Azimuth of Fire (Base Azimuth) in case the AFCS fails.
- If cab-side VMS modem is disconnected and position data is not available from the PLGR, the DRUH position data will degrade even though the howitzer is not moving. This data may degrade to the point where the navigation subsystem will be declared out.
- The soft key under ARRIVED on the MOVE ORDER screen must be pressed before the gun tube is unstowed from travel lock. This action establishes the TUBE STOW (travel lock) position. Pressing the STOW key will move the tube back to this azimuth.
- If EMPLACEMENT screen was accessed prior to arriving at next firing area the EMPLACEMENT screen may not display automatically.
- Once the vehicle is within the inner circle (shown by the + sign) the CHIEF OF SECTION may choose his emplacement position to take advantage of terrain features.

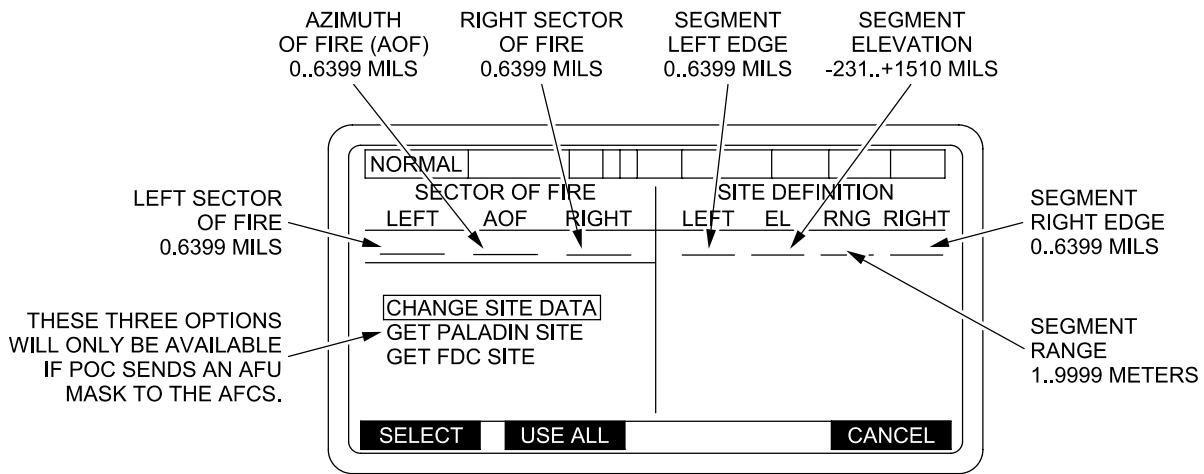
L-7 AFCS TRAVEL MODE - CONTINUED

L-7.2 Emplacement Fire Point/Fire Area - Continued

L-7.2.1 Emplacing - Continued

- When emplacing the howitzer, the Azimuth of Fire (Azimuth of LAY) from the Move Order is the azimuth the AFCS holds as the “Base Azimuth” (the 3200 deflection reference position). This is the azimuth used by the AFCS to compute ballistic data, and is also sent to the FDC in the PIECE STATUS (HOW: UPDATE) message for ballistic computations at the FDC.
- When emplacing at a FIRING POINT the howitzer range must be 50 meters or less. (Optimum 10 meters or less)

Press the ARRIVED soft key on the EMLACE FIRE AREA or Fire Point Site Definition screen to display a SITE DEFINITION screen. Take the tube out of travel lock.



06pc331t

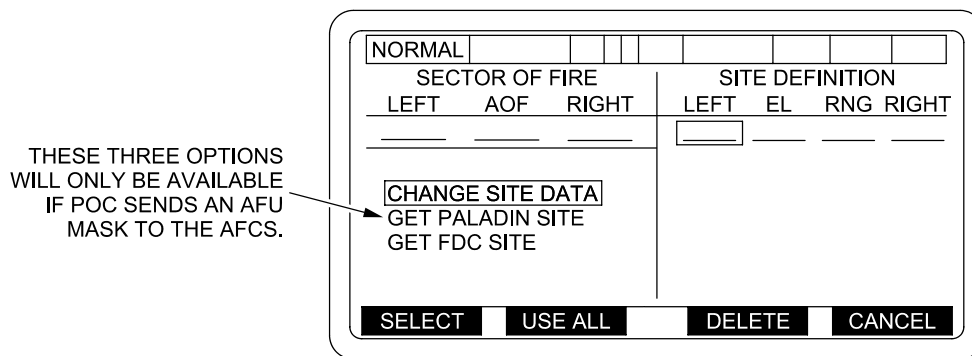
AUTOMATIC SELECTION, “BOXING” will occur starting from field LEFT and then continuing from LEFT to RIGHT, to field EL RNG and RIGHT, after each previous entry has been ENTERED.

L-7 AFCS TRAVEL MODE - CONTINUED

L-7.2 Emplacement Fire Point/Fire Area - Continued

L-7.2.2 Site Data. Identifies left and right limits, range and elevation in mils, and is used to ensure that all rounds clear crests within the howitzer's SECTOR OF FIRE. Up to eight sets of site definition data can be entered. Site definition data is determined using the same procedures as SITE TO CREST (sighting through the cannon tube). This data is entered using the SITE DEFINITION screen as follows:

- a. Obtain SECTOR OF FIRE data from POC. Normally Azimuth of Fire, Left and Right Sector limits will be provided by the POC in the Move Order and will be displayed automatically on the SITE DEFINITION menu on the left side of the screen under LEFT AOF RIGHT headings.
- b. Press the DELETE key to remove SITE DATA from previous occupation. Box in limit under column to be changed and press the SELECT key.



06pc332t

- c. One Line SITE DATA (For Initial Occupation). Pressing the ARRIVED key the COS must obtain One Line SITE DATA. AFTER removing the gun tube from the travel lock the COS brings the cursor box to the left limit and presses SELECT, then traverses the gun tube to the left while monitoring the Azimuth readout until he reaches at least one mil beyond the Left limit then press ENTER. While the GUNNER sights through the gun tube the COS elevates or depresses the gun tube to obtain immediate crest. COS brings the cursor box to the Right limit and presses SELECT then COS traverses the gun tube to the Right limit while the GUNNER sights through the gun tube. COS elevates gun tube upon the COMMAND "Elevate" from the GUNNER when the GUNNER needs to clear an obstruction until the COS reaches the Right limit while monitoring the Azimuth readout, then presses ENTER. Before moving the gun tube, COS then cursors to the entry under EL, presses SELECT and ENT to obtain elevation to immediate Crest. COS then cursors to entry under Range, presses SELECT and ENT and inputs RANGE TO CREST from the numeric keypad and presses ENT. Upon completion of One Line SITE DATA the COS then presses USE ALL to input MIN QE.

L-7 AFCS TRAVEL MODE - CONTINUED

L-7.2 Emplacement Fire Point/Fire Area - Continued

L-7.2.2 Site Data - Continued

NORMAL											
SECTOR OF FIRE						SITE DEFINITION					
LEFT		AOF		RIGHT		LEFT		EL		RNG RIGHT	
---		---		---		---		---		---	
TYPE MINIMUM FIRING QE IN MILS -231 TO 1510 -PRESS ENTER KEY- <input type="text" value="1333"/>											
+/-											

06pc215t

Pressing the ENTER key will display SECTION IN ORDER menu. During NORMAL OPERATIONS the last value entered shall be displayed.

- d. MINIMUM QUADRANT ENTRY. Upon completion of One Line SITE DATA, press USE ALL and a display will appear in the left side of the SITE DEFINITION screen. Enter the MIN QE obtained from the POC for the current position. Upon voice verification of the MIN QE with the POC, press the ENT key. This will display the SECTION IN ORDER at FIRING AREA/POINT screen.
- e. Send piece status to POC.

NOTE

COS will obtain MAX QE and send updated piece status to POC (see para L-8.7.3).

L-7.2.2.1 SITE DEFINITION screen display. With the GUNNER sighting through the tube the COS elevates or depresses the gun tube to obtain immediate Crest. COS traverses right while the GUNNER looks through the gun tube. When an obstruction appears, data for the Left limit SITE DEFINITION can be entered by pressing the ENT key. The SITE DEFINITION screen with Left Azimuth will be displayed. perform steps d and e to establish 6400 mils SITE DEFINITION.

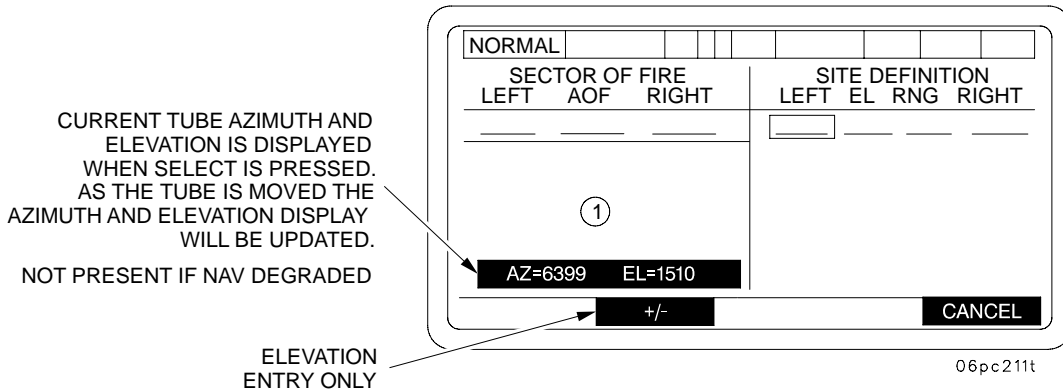
NOTE

This procedure is conducted as part of Position Improvement.

L-7 AFCS TRAVEL MODE - CONTINUED

L-7.2 Emplacement Fire Point/Fire Area - Continued

L-7.2.2 Site Data - Continued

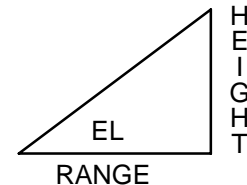


① THE FOLLOWING PROMPTS ARE DISPLAYED DEPENDING ON WHICH FIELD IS SELECTED:

<p>WHEN "LEFT" IS SELECTED</p> <p>MOVE TUBE OR TYPE LEFT EDGE OF SITE</p> <p>IN MILS:</p> <p>0 TO 6399</p> <p>-PRESS ENT KEY-</p>	<p>WHEN "EL" IS SELECTED</p> <p>MOVE TUBE OR TYPE ELEVATION OF SITE</p> <p>IN MILS:</p> <p>-231 TO 1510</p> <p>-PRESS ENT KEY-</p>
<p>WHEN "RNG" IS SELECTED</p> <p>TYPE RANGE TO SITE</p> <p>IN METERS:</p> <p>1 TO 9999</p> <p>-PRESS ENT KEY-</p>	<p>WHEN "RIGHT" IS SELECTED</p> <p>MOVE TUBE OR TYPE RIGHT EDGE OF SITE</p> <p>IN MILS:</p> <p>0 TO 6399</p> <p>-PRESS ENT KEY-</p>

NOTE: MASK HEIGHT CANNOT EXCEED 10,000 METERS, THEREFORE:

- (A) UPPER LIMIT ON RANGE WILL CHANGE DEPENDING ON CURRENT MASK ELEVATION
- (B) UPPER LIMIT ON ELEVATION WILL CHANGE DEPENDING ON CURRENT MASK RANGE



NOTE: WHEN CURRENT TUBE POSITION IS USED TO SET MASK ELEVATION: IF THE RANGE FIELD CONTAINS AN ENTRY WHICH RESULTS IN A MASK EXCEEDING 10,000 METERS, THE RANGE FIELD WILL BE RESET TO THE MAXIMUM ALLOWED VALUE AND THE FOLLOWING MESSAGE WILL BE DISPLAYED: **"WARNING - RANGE SET TO MAXIMUM", "ACK"**

AUTOMATIC SELECTION, "BOXING" will occur starting from field LEFT and then continuing from LEFT to RIGHT, to field EL, RNG, and RIGHT, after each previous entry has been ENTERED.

L-7 AFCS TRAVEL MODE - CONTINUED

L-7.2 Emplacement Fire Point/Fire Area - Continued

L-7.2.2 Site Data - Continued

- a. Select column (LEFT) to display left limit SITE DEFINITION screen. Data for this limit can be typed in, or use tube position. Enter data by pressing ENT key.

06pc329t

NOTE

Numerical value must be entered before sign.
Default sign is (+).

Upper limit on elevation will change depending on current mask range. If range is blank, default shall be 1510.

- b. Select next limit column (EL) to display Elevation SITE DEFINITION screen. Enter elevation data in the same manner as left limit (type in data or use gun tube position). If elevation is below zero, press +/- key to place minus sign in front of numbers to be entered (used only when typing in data). Press ENT key.

06pc330t

NOTE

Upper limit on elevation will change depending on current mask elevation. If elevation is blank, default shall be 9999.

L-7 AFCS TRAVEL MODE - CONTINUED

L-7.2 Emplacement Fire Point/Fire Area - Continued

L-7.2.2 Site Data - Continued

- c. Select next limit column (RNG) to display the Range SITE DEFINITION screen. Enter range to crest and press ENT key. (Data for this must be typed in; gun tube position cannot be used.)

SECTOR OF FIRE			SITE DEFINITION			
LEFT	AOF	RIGHT	LEFT	EL	RNG	RIGHT
_____	_____	_____	_____	_____	<input type="text"/>	_____
TYPE RANGE TO SITE IN METERS: 1 TO 9999 - PRESS ENTER KEY -						
			<input type="button" value="DELETE"/> <input type="button" value="CANCEL"/>			

06pc334t

- d. Select next limit column (RIGHT) to display the right limit SITE DEFINITION screen. Data for this limit can be typed in, or use tube position. Enter data by pressing ENT key.

SECTOR OF FIRE			SITE DEFINITION			
LEFT	AOF	RIGHT	LEFT	EL	RNG	RIGHT
_____	_____	_____	_____	_____	_____	<input type="text"/>
MOVE TUBE OR TYPE RIGHT EDGE OF SITE IN MILS: 0 TO 6399 - PRESS ENTER KEY -						
			<input type="button" value="DELETE"/> <input type="button" value="CANCEL"/>			

06pc335t

- e. Using arrow key, move cursor box to next available line and to the left and identify next obstruction.
- f. Sequence can be repeated as many as seven times if needed.

L-7.2.3 Section In Order. When all data is correct, press ENTER key. This will bring up a SECTION IN ORDER WITHIN FIRE AREA or SECTION IN ORDER AT FIRE POINT screen depending on whether the Move Order was a move to a FIRE AREA or FIRE POINT. An ordered move of any other type would be indicated as such in field 11 of the menu.

L-7 AFCS TRAVEL MODE - CONTINUED

L-7.2 Emplacement Fire Point/Fire Area - Continued

L-7.2.3 Section In Order - Continued

NOTE

- When SECTION IN ORDER screen is displayed, the commanded deflection (CMD DEFL) may be either: 1) the Azimuth of Fire (Azimuth of LAY) from the Move Order, expressed at 3200 deflection. Since this is also the "Base Azimuth" position (the difference between the 3200 reference and the ordered Azimuth of LAY); or 2) if a Final Protective Fire (FPF) or Priority (PRI) target has been designated by the POC, the CMD DEFL will be the deflection from "Base Azimuth" to the FPF; or 3) when a Manual Move Order has been done, the CMD DEFL is the default Azimuth of Fire (Base Azimuth) entered upon initialization.
- LOAD/LAY and STOW will not be displayed unless the gun switch is in the ON position.

OR AZ (AZIMUTH)

06pc157e

Listed below are the legal values for each field of the SECTION IN ORDER display:

- RNDS = Number of rounds remaining to fire 0..99 or blank
- SHELL = Shell model and mnemonic or blank
- SHELL LOT = A..Z or blank
- PROP = Propellant model
- PROP LOT = A..Z or blank
- PROP CHG = Propellant charge designator (see Table L-1) or blank
- FUZE = Fuze mode and mnemonic
- FUZE SETTING = Computed fuze setting, "PD" or "DELAY"
- DEFL (or AZ) = 0.0..6399.9 mils
- QUAD = -200.0..+1600.0 mils
- TARGET ID = FPF/PRI target identification if a target exists; otherwise blank

L-7 AFCS TRAVEL MODE - CONTINUED

L-7.2 Emplacement Fire Point/Fire Area - Continued

L-7.2.3 Section In Order - Continued

Instructions and warnings which could appear on the SECTION IN ORDER display:

- ① Blank
 COMPUTING FPF/PRI
 NO FPF/PRI EXISTS
 UNABLE TO COMPUTE
 SECTOR VIOLATION
 MASK VIOLATION
 INSUFFICIENT AMMO
 NO FUZE INVENTORY
 NO PROJ INVENTORY
 NO PROP INVENTORY
 BAD PROJ LOT/MODEL
 NO AMMO INV COMBO
 INVALID AMMO COMBO
 INSUFFICIENT RANGE
 NO SOLUTION
 NOT FFE TYPE MISSION
 UNASSIGNED FPF/PRI
 TARGET TOO CLOSE
 MAX TUBE EL VIOLATION
- ② SECTION IN ORDER AT FIRE POINT
 SECTION IN ORDER WITHIN FIRE AREA
 SECTION IN ORDER IN ROUTE POINT (Only displayed when the destination is not reached for a Fire Point or a Fire Area)
- ③ DO NOT MOVE/DO NOT LOAD
 DO NOT MOVE
 MOVES ALLOWED
 MOVES ALLOWED/DO NOT LOAD

L-7.2.4 Establish Distant Aiming Point or Set Collimator (Optional).

NOTE

If time permits, the crew should set out collimator or select a DAP and set the PANTEL with the tube "Base Azimuth". If this is not possible immediately, traverse back to "Base Azimuth" using one of the following procedures based on the conditions indicated on the SECTION IN ORDER screen.

- a. Use this procedure when the CMD DEFL reads 3200 deflection and there is no FPF nor PRIORITY (PRI) target displayed on the SECTION IN ORDER screen. Under these conditions, CMD DEFL is using the Azimuth of Fire (Base Azimuth). To move the tube to Base Azimuth, 1) Turn on hydraulic power, 2) Set GUN SERVO switch to ON, and 3) Press/hold the LOAD key until the LOAD indicator is highlighted in the upper right corner of the screen. Tube is now laid on Azimuth of Fire (Base Azimuth) and both the ACTL DEFL and CMD DEFL should read 3200. 4) Sight onto the Collimator or the DAP and set 3200 Deflection on the PANTEL.

L-7 AFCS TRAVEL MODE - CONTINUED

L-7.2 Emplacement Fire Point/Fire Area - Continued

L-7.2.4 Establish Distant Aiming Point or Set Collimator (Optional) - Continued

- b. Use this procedure when the CMD DEFL shows a deflection other than 3200 and there is either an FPF or PRIORITY (PRI) target displayed on the SECTION IN ORDER screen. The CMD DEFL is the Firing Azimuth for the FPF/PRI target, so the LOAD key cannot be used to move the tube to 3200 deflection. Under these conditions, 1) use the Hydraulic Power Handle Controls to traverse the tube until the ACTL DEFL reads 3200 deflection. Tube is now laid on Center of Sector (Base Azimuth). 2) Sight onto the Collimator or the DAP and set 3200 Deflection on the PANTEL.

NOTE

If the AFCS fails, use the Azimuth of Fire recorded during emplacement as Azimuth of Lay (Base Azimuth) and use reciprocal lay procedures with the aid of an operational howitzer.

L-7.2.5 Final Laying of Gun Tube at FIRING AREA. It is necessary to lay the gun tube on the Azimuth of Fire (from MOVE ORDER) or the FPF/PRI azimuth/deflection. The SECTION IN ORDER screen will show a difference between the ACTL DEFL and the CMD DEFL. The ACTL and CMD values must be the same for the gun tube to be layed. To accomplish this: 1) set GUN SERVO switch to ON, and 2) depress and hold LOAD key (para L-4). The gun will traverse to the CMD DEFL (match ACTL and CMD) and to the LOAD ELEVATION stored at initialization. When the LOAD indicator is highlighted, release the LOAD key.

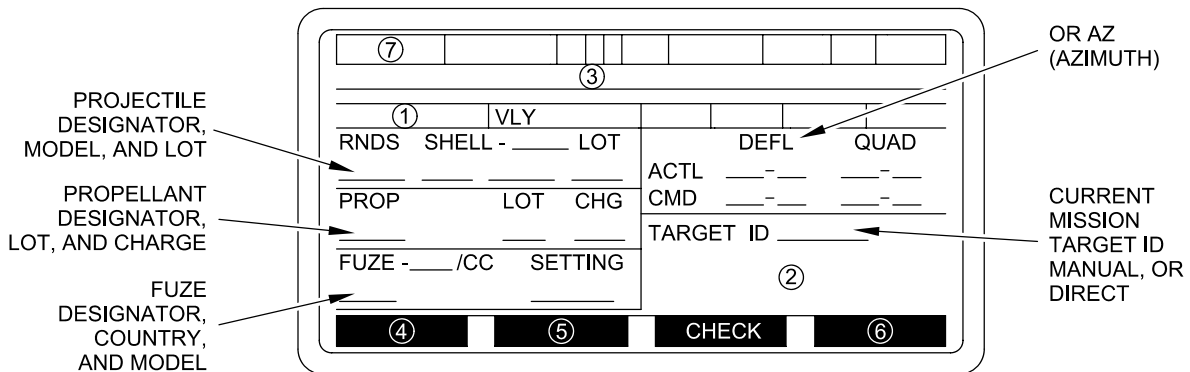
L-8 AFCS FIRE MISSION.

Fire missions are usually generated as a result of a message from the FDC to the AFCS. Included in the message are target location, method of control, and ammunition to fire (if ammunition is not specified the AFCS will default to its own selection). When the message is received by the AFCS, a FIRE MISSION display is displayed on the DU and an audible alert is sounded through the intercom system. The Ballistics Computer will then compute the ballistics (azimuth and quadrant), based on ammunition data (projectile, propellant, and fuze), target location and the location of the howitzer (provided by the navigation system). The ballistic solution is then displayed on the FIRE MISSION display.

A typical FIRE MISSION display contains the following:

WARNING

The crew compartment must be adequately ventilated during all firing using the LEAD FILTER or ventilation system in accordance with para 2-22.2.



06pc242t

Listed below are the legal values for each field of FIRE MISSION display.

VLY / = Current volley being displayed; 1/1, 1/2 or 2/2

NOTE

The 1/1, 1/2, and 2/2 data shall not be displayed for operator initiated fire missions and missions that are in fire commands format.

- RNDS = Number of rounds remaining to fire 1..9
- SHELL = Shell model and mnemonic
- SHELL LOT = A..Z
- PROP = Propellant model
- PROP LOT = A..Z
- CHG = Propellant charge designator (see Table L-1)
- FUZE = Fuze model, Country and mnemonic
- SETTING = Computed fuze setting, "PD" or "DELAY"
- DEFL (or AZ) = 0.0..6399.9 mils
- QUAD = -200.00..+1600.0 mils
- TARGET ID = Current mission target identification

L-8 AFCS FIRE MISSION - CONTINUED

Instructions and warnings which could appear on the FIRE MISSION display:

- ① Blank = Fire mission is not a sheaf
 SHEAF PT = This gun is participating in a multi-gun sheaf
 SHEAF a/s = This run is conducting a single gun sheaf where: a..Current aimpoint number;
 b..Number of sheaf points

- ② Blank - Displayed when none of the following apply
 SAFE FIRE AREA VIOLATION = The aimpoint or trajectory termination is outside of the received Safe Fire Area.*
 REMEMBER TO UPDATE INVENTORY = Direct or manual fire mission and none of the following apply
 WARNING TUBE IS NOT IN LAY POSITION = WC is operational and the tube is not in the lay window.
 TUBE MUST BE LAID MANUALLY = WC is not operational
 CALL FDC IF ROUND IN TUBE = Awaiting tube clear and crew not authorized to fire.
 PRESS SHOT OR CLEAR TO ACK CEASELOAD = AFCS has received a ceaseload request.
 Mim QE violated ACK
 SECTOR OF FIRE VIOLATION = Gun-target line is outside the defined sector of fire.*
 SITE VIOLATION = Firing parameters violate defined mask.*
 INSUFFICIENT AMMO SHELL/FUZE/PROP = Insufficient inventory quantities*
 INSUFFICIENT AMMO SHELL/FUZE = Insufficient inventory quantities*
 INSUFFICIENT AMMO SHELL/PROP = Insufficient inventory quantities*
 INSUFFICIENT AMMO FUZE/PROP = Insufficient inventory quantities*
 INSUFFICIENT AMMO SHELL = Insufficient inventory quantities*
 INSUFFICIENT AMMO FUZE = Insufficient inventory quantities*
 INSUFFICIENT AMMO PROP = Insufficient inventory quantities*
 MAX TUBE EL EXCEEDED = Computed QE exceeds the defined maximum tube elevation.*
 MINIMUM QE VIOLATED = The Gun Tube has violated the minimum QE as entered by the AFCS operator in the Enter Minimum Firing QE Display.*

- ③ FIRE WHEN READY = Fire at will
 UNDER VOICE ORDERS = Manual fire mission
 COMPUTING DO NOT LOAD = AFCS computing or waiting for operator response
 DO NOT LOAD = Do not load missions
 LOAD LAY THEN PRESS READY = At my command or Copperhead mission
 WAIT FOR COMMAND = At my command after ready
 WAIT NNN SECONDS = Time to fire mission or continuous interval mission. NNN maximum number is 999. If greater than 999 seconds = WAIT **** SECONDS
 WAIT NNN SECONDS - FDC COMP = WAIT NNN SECONDS = Time to fire mission or continuous interval mission. NNN maximum number is 999. If greater than 999 seconds = WAIT *** SECONDS.
 FIRE = COMMAND TO FIRE
 PPF END OF MISSION = EOM or ceaseload during PPF
 EARLY END OF MISSION = EOM received after load but before all rounds fired
 CEASELOAD = Ceaseload received after load but before all rounds fired

L-8 AFCS FIRE MISSION - CONTINUED

- ④ Blank indicates that none of the following apply:
SHOT = AFCS requires notification of round fired
READY = AFCS requires notification of operator ready to fire
- ⑤ Blank indicates that none of the following apply:
CLEAR = AFCS requires notification of tube clear
OTHER VLY = Other volley information is available for operator viewing
- ⑥ Blank indicates that none of the following apply:
ABORT = Fire mission other than direct or manual active
EOM = Direct or manual mission active
- ⑦ "MV" = A valid MV was received from the MVS.
"BAD MV" = An MV message was received from the MVS, but the data was not valid.
"NO MV" = No MV message was received from the MVS.

NOTE

Alerts listed in item 2 above with asterisks will result in an "OK TO SHOOT?" "YES" "NO" short error message to the AFCS operator.

The following alerts shall appear if the operator presses the LOAD or LAY keys and the tube transitions across the minimum quadrant elevation:

MINIMUM QE VIOLATED

ACK

The Gun Tube has violated the minimum QE as entered by the AFCS operator in the Enter Minimum Firing QE Display. An audio alert shall sound until the ACK key is pressed.

MINIMUM QE NO LONGER VIOLATED

ACK

The Gun Tube no longer violates the minimum QE as entered by the AFCS operator in the Enter Minimum Firing QE Display. An audio alert shall sound until the ACK key is pressed.

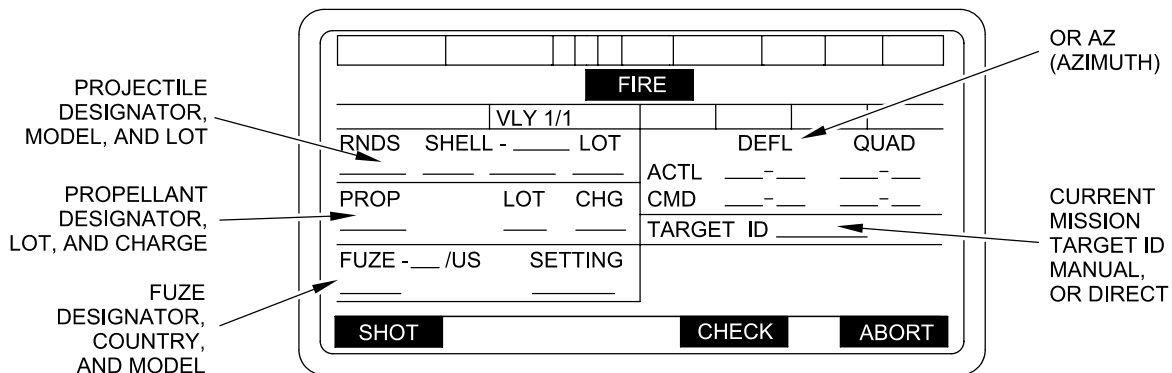
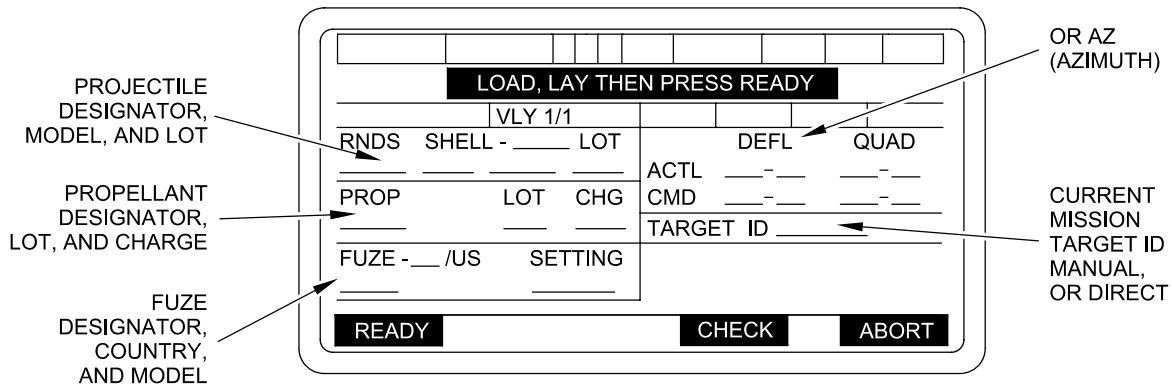
Fire Mission Received. When displayed, press ACK to confirm receipt of fire mission.

L-8 AFCS FIRE MISSION - CONTINUED

L-8.1 Platoon Operation Center.

Although the howitzer has the ability to compute its own firing data, the actual firing of a mission is controlled by the POC. The control method is included within the fire mission message and displayed on the FIRE MISSION screen. Control methods are as follows:

- a. AT MY COMMAND. In this method, the POC controls when the howitzer is fired. (An example is a normal Copperhead mission.) The Method of Control field of the FIRE MISSION screen will tell the COS to LOAD, LAY, then press READY key. When these are accomplished, a message that the howitzer is ready to fire is sent to the POC. When the FIRE COMMAND is issued by the POC, an audible alert and an alternating tone is sounded and a FIRE prompt is displayed. If more than one volley is to be fired, the other volleys will be FIRE WHEN READY.

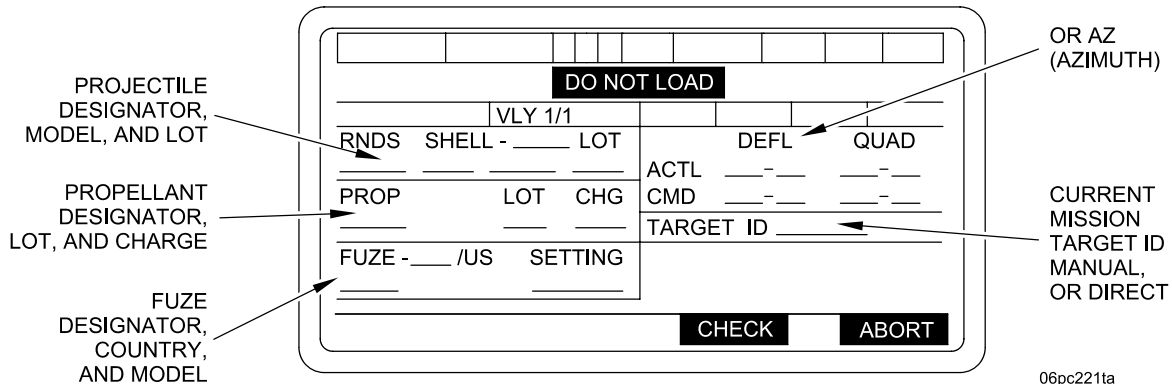


06pc220ta

L-8 AFCS FIRE MISSION - CONTINUED

L-8.1 Platoon Operation Center - Continued

- b. **DO NOT LOAD.** This is a restrictive command that prohibits loading and firing. This is used when it is anticipated that significant time will elapse between loading and firing. When the DO NOT LOAD command is canceled, then the FIRE command is issued, and the same audible and visual alerts will be received as in AT MY COMMAND.



06pc221ta

- c. **TIME TO FIRE (TTF) SEQUENCE.** This sequence consists of the following:
- (1) Ballistic sequencing is performed. (COMPUTING DO NOT LOAD)
 - (2) If no ABORT is performed during the ballistic sequencing the AFCS operator is given the data.
 - (3) The AFCS operator is told to "WAIT FOR XXXX SECONDS" where xxx is the number of seconds remaining until time to fire.
 - (4) The "WAIT FOR XXX SECONDS" prompt is updated each second.
 - (5) When the countdown has expired, the AFCS operator is told to "FIRE".
 - (6) If this is not a FPF mission, then when the first shot out is detected and there is a Continuous Fire Interval specified processing continues using the Continuous Fire Interval sequence. If there are more rounds to fire, and a Continuous Fire Interval is not specified, the AFCS operator is told to "FIRE WHEN READY" (similar to when ready sequencing subsequent rounds). Otherwise, if shot out is not detected within 20 seconds then the mission is automatically ended.
- If this is a FPF mission, then when shot out is detected the AFCS operator is told to "FIRE WHEN READY" again. This is repeated until the mission is ended and no rounds complete is generated.
- (7) When rounds complete is detected the mission is automatically ended.

L-8 AFCS FIRE MISSION - CONTINUED

L-8.1 Platoon Operation Center - Continued

- d. CONTINUOUS FIRE INTERVAL SEQUENCE. The Continuous Fire Interval sequence shall be as follows for the second and subsequent rounds in a mission where a continuous fire interval is specified.
- (1) Following the first round fired using the sequences described above, the operator shall be told to "WAIT FOR XXX SECONDS" where xxx is the number of seconds remaining until time to fire.
 - (2) The "WAIT FOR XXX SECONDS" prompt shall be updated each second.
 - (3) When the countdown has expired, the operator is told to "FIRE".
 - (4) If all rounds in the mission have not been shot, processing will sequence through steps 1, 2, and 3 above.
 - (5) When rounds complete is detected, the mission is automatically ended.

L-8.2 Firing Mission.

WARNING

The crew compartment must be adequately ventilated during all firing using the LEAD FILTER or ventilation system in accordance with para 2-22.2.

When a fire mission is received, visual as well as an audible alert is given. The visual alerts are FIREMSN in Field 2 and OPERATOR ALERT AND ACK display. The audible alert can be heard by all crewmembers. When a fire mission is in process, each crewmember will perform his portion of the following:

- a. GUNNER and CANNONEER stow seats (if not previously stowed).
- b. Driver starts engine and/or raises idle speed to 1000-1200 rpm.
- c. COS issues the fire order (for example, 1 round HE; charge 4 green bag; Fuze Time, Time 25.0) and activates the HYDRAULIC POWER switch on the hydraulic control box and the GUN SERVO switch on the DU.
- d. Cannoneer turns LEAD FILTER switch on the Accessory Control Box to ON and moves Vent Duct Control Handle into UP position.
- e. GUNNER opens breech (first round only).
- f. CANNONEER positions rammer to RAM position.
- g. GUNNER prepares propellant (charge/zone taken from bustle stowage).
- h. CANNONEER prepares projectile and fuze (sets time on fuze if necessary).
- i. COS verifies projectile, fuze, fuze time and propellant and depresses LOAD key on DU (if necessary).
- j. When the tube is in the LOAD position, the CANNONEER places the projectile on the ram tray and activates rammer.
- k. When the ramming cycle is complete, the CANNONEER places the rammer in the stowed position.
- l. GUNNER places propellant in powder chamber and closes breech.

NOTE

When the AFCS has laid the gun and the LAY key is highlighted the gun must stay within +/- 0.9 mils of the commanded deflection.

L-8 AFCS FIRE MISSION - CONTINUED

L-8.2 Firing Mission - Continued

- m. The COS presses and holds the LAY key on the DU until the cannon is laid on the COMMAND FIRING Data.
- n. COS ensures that the gun is in the LAY position by verifying and announcing LAY light is highlighted (ACTUAL and COMMANDED DEFLECTION) and QUADRANT are within tolerance (+/- 0.9) and the prompt "WARNING TUBE IS NOT IN LAY POSITION)" is no longer displayed).
- o. GUNNER verifies LAY data. If data is correct GUNNER will announce "Verified". (If data is incorrect GUNNER will announce "Check firing").
- p. COS gives the command to "PRIME".

NOTE

During high angle missions or illumination missions, it is recommended prime be done at load elevation.

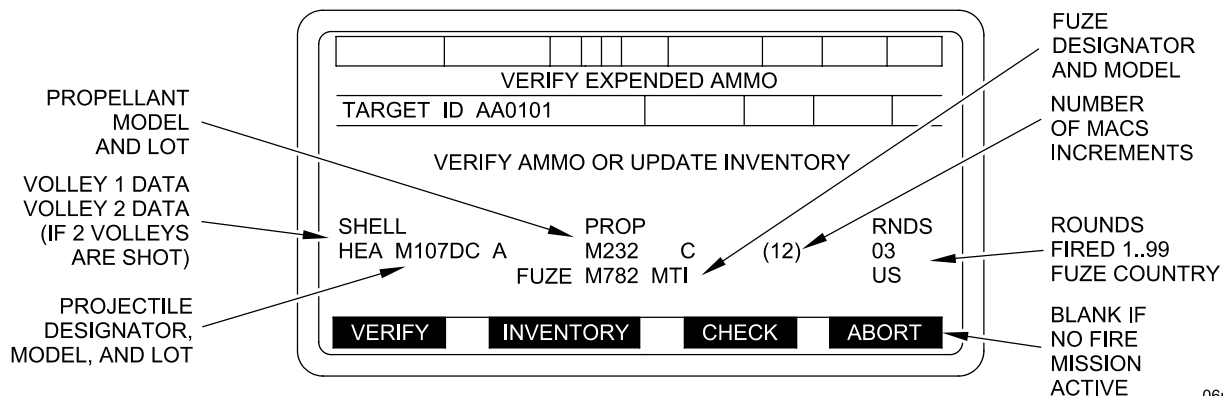
- q. COS commands "Hookup", CANNONEER attaches lanyard to firing block and announces "Hookup".
- r. COS announces, "FIRE".

NOTE

If the Navigation Subsystem or MVS are out, the AFCS will not detect the shot, and COS must press the SHOT soft key after each round.

- s. CANNONEER pulls the lanyard to fire the round.
- t. The AFCS is capable of automatically detecting Shot. In most cases pressing the SHOT soft key is not required. When a round is fired, the Navigation Subsystem and MVS will detect the round. After the round is fired and detected by the AFCS, the SHOT soft key will automatically disappear for 5 seconds, the Fire Mission will automatically decrement by one round (i.e. rounds to complete mission will decrease by one), and the Ammo Inventory will automatically be adjusted. In the very rare case that the AFCS does not detect shot, the COS must press the SHOT soft key as before.
- u. Cannoneer turns on Personnel Fan (Exhaust) switch on the Accessory Control Box and moves the Vent Duct Control Handle into DOWN position. Operate Personnel Fan for 1-2 minutes until all fumes are exhausted.

L-8.2.1 Subsequent Rounds. The first procedure is also used for all subsequent rounds in a fire mission. When all rounds have been fired for the mission, a VERIFY EXPENDED AMMO screen will be displayed. Ammunition accountability is covered in para L-8.3.



06pc258t

L-8 AFCS FIRE MISSION - CONTINUED

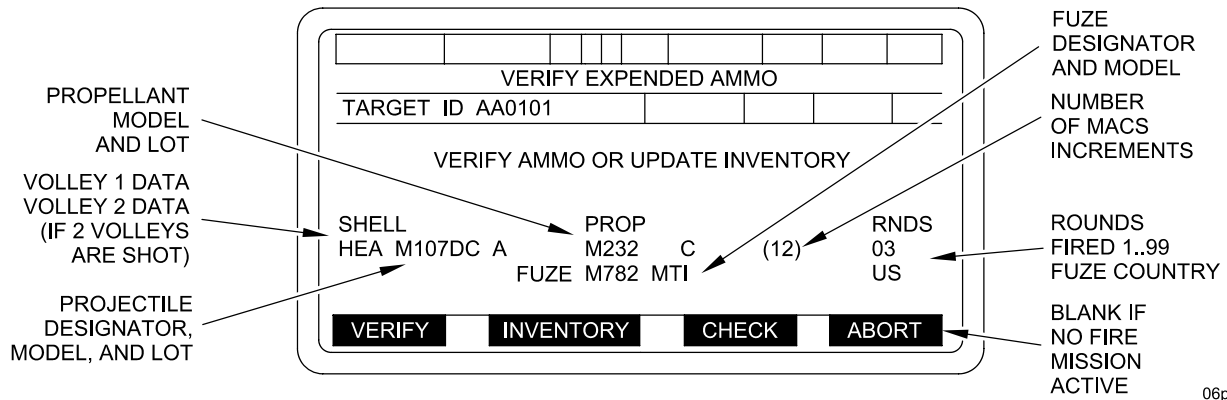
L-8.3 Ammunition Accountability.

NOTE

- If a shell, fuze or propellant is entered in the AFCS inventory, but the quantity is insufficient for the mission, or zero, the AFCS will prompt the Chief of Section to accept or reject the mission (in case a new load of ammunition just arrived and has not been entered into inventory yet).
- If a fire mission is activated while you are in any of the inventory management menus, all completed entries will be saved automatically.

It is essential that accurate ammunition updates to the AFCS be done in order to be able to fire all missions received. This should be done after a mission is fired. When all rounds in a mission have been fired, a VERIFY EXPENDED AMMO screen is displayed. This screen asks the operator either to verify ammunition fired or to update the ammo inventory. This is accomplished as follows:

- If the ammunition shown in the lower part of the VERIFY EXPENDED AMMO screen is an accurate account of the ammunition fired, press VERIFY key, to update the ammunition count. This updates the AFCS ammunition count automatically.



L-8 AFCS FIRE MISSION - CONTINUED

L-8.3 Ammunition Accountability - Continued

- b. If the ammunition shown on the VERIFY EXPENDED AMMO screen is not an accurate account of ammunition fired (for example, a compatible fuze was used as a substitute for the fuze specified in the mission), press the INVENTORY key. This causes an INVENTORY MANAGEMENT screen to be displayed.

NOTE

When INVENTORY key is pressed, SHELL, PROP and FUZE must be updated.

NORMAL

INVENTORY MANAGEMENT

UPDATE SHELL INVENTORY
UPDATE PROP INVENTORY
UPDATE FUZE INVENTORY

PRESS FINISHED TO INDICATE
INVENTORY UPDATE COMPLETE

SELECT FINISHED CANCEL

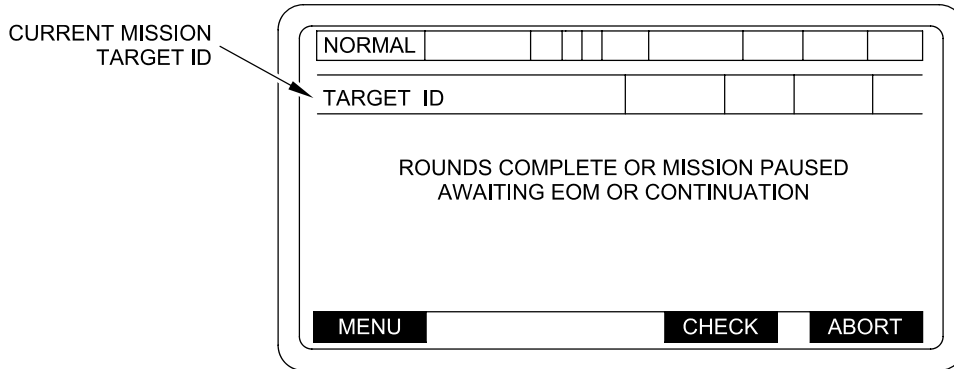
06pc172m

- c. This will allow the operator to manually input the type of round actually fired and correct the ammo inventory.
- d. If **FINISHED** is pressed at this point, the operator will be returned to a ROUND COMPLETE screen and none of the ammo from that fire mission will be subtracted from the inventory.

L-8 AFCS FIRE MISSION - CONTINUED

L-8.4 End of Mission.

Notification that a Fire Mission has ended is sent by an END OF MISSION (EOM) message from the POC. Normally, this is done when all rounds requested in a Fire Mission have been fired. When all the rounds for a mission have been fired, a ROUNDS COMPLETE OR MISSION PAUSED, AWAITING EOM OR CONTINUATION OF MISSION screen will be displayed until an EOM message is sent from the POC. When the EOM message is received by the AFCS, an END OF MISSION screen is displayed.



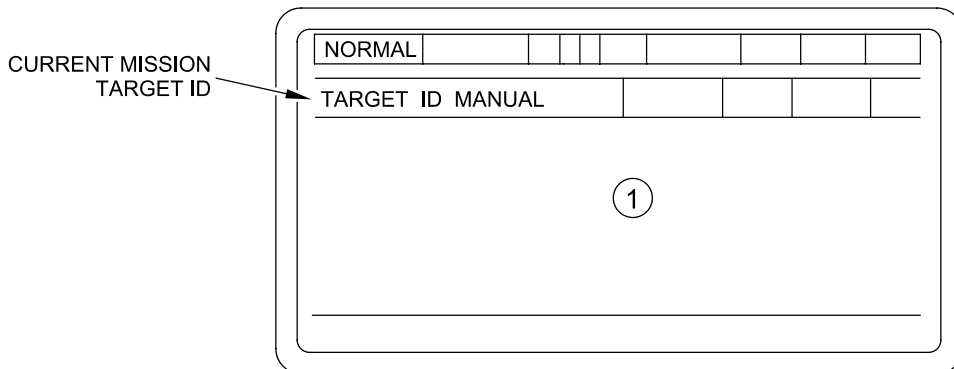
06pc259t



Operate Personnel Fan (Exhaust) switch on the Accessory Control Box with the Vent Duct Control Handle in DOWN position for 2 minutes when crew members observe fumes, smoke or indication of carbon monoxide build up in the crew compartment.

NOTE

While awaiting EOM or continuation of a mission, you can access the SETUP AND INFORMATION menus by pressing the MENU key (e.g. to update inventory to add new ammo received). The AFCS will automatically interrupt whatever you are doing if the fire mission is continued.



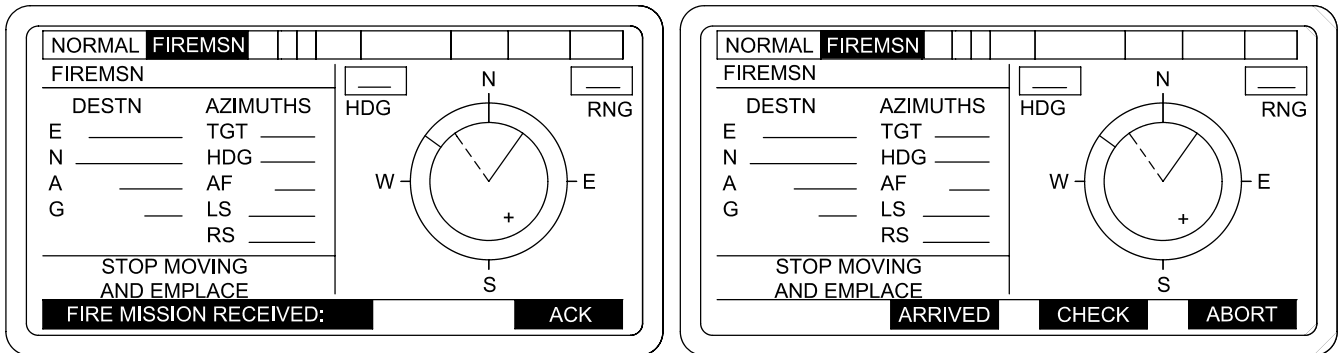
- ① **END OF MISSION** = MISSION TERMINATED NORMALLY
- MISSION ABORTED** = MISSION TERMINATED BY ABORT

06pc259ta

L-8 AFCS FIRE MISSION - CONTINUED

L-8.5 AFCS Emergency Mission.

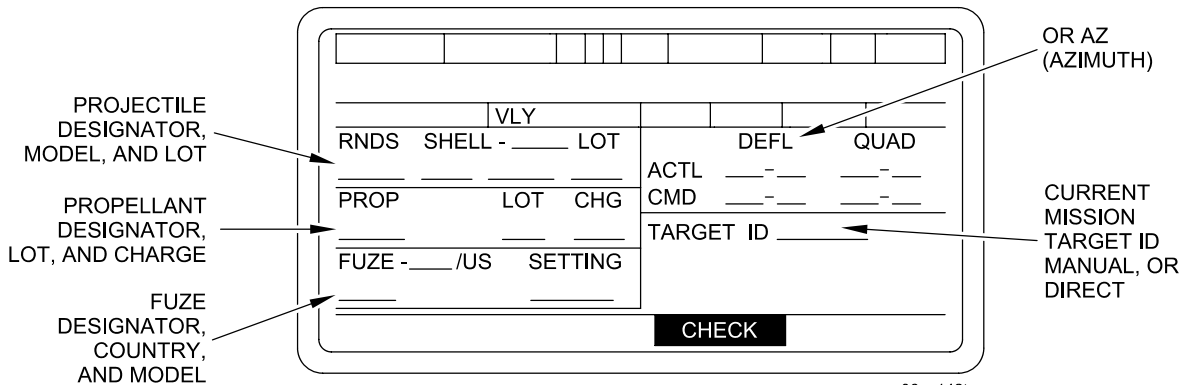
Because the M109A6 makes frequent tactical and survivability moves, receiving a Fire Mission while moving will become a routine event. During a move, a Fire Mission order may be sent requiring the individual howitzer to stop, emplace, and fire on a target at any time. When this type of order is sent, an audible alert and a visible alert in the form "FIREMSN RECEIVED", "ACK" in field 16 is displayed to the operator.



06pc274t

L-8.5.1 Emplace.

The chief of section must ACK the mission and select a suitable firing position as quickly as possible. Depress ARRIVED soft key to receive the Fire Mission. Fire Mission data will be computed and displayed.



06pc142ta

L-8 AFCS FIRE MISSION - CONTINUED

L-8.5 AFCS Emergency Mission - Continued

L-8.5.2 Ready Gun.

- a. Set HYDRAULIC POWER switch on hydraulic control box and GUN SERVO switch on DU to ON.
- b. Release gun tube from travel lock.
- c. Release cab traverse lock.

L-8.5.3 LAY, LOAD, LAY, AND FIRE.

NOTE

Ballistic computations must have been completed before LAY key is depressed.

- a. Depress and hold LAY key to bring gun to target Azimuth and LAY elevation. Look thru tube and verify immediate Crest is clear.
- b. Depress LOAD key to LAY weapon on COMMANDED deflection and LOAD quadrant.
- c. Depress LAY key to LAY weapon on COMMANDED deflection and quadrant. Ensure LAY key is held until LAY indicator is highlighted.
- d. On command, fire the gun.

L-8.5.4 End of Mission.

- a. When END OF MISSION message is received, wait for instructions to proceed with displacement.
- b. After the END OF MISSION message, the MOVE ORDER screen with previous move mission data will be displayed.
- c. Turn on Personnel Fan (Exhaust) switch on the Accessory Control Box and move the Vent Duct Control Handle into DOWN position. Operate Personnel Fan for 1-2 minutes until all fumes are exhausted.
- d. Proceed to ordered destination.

CAUTION

Operate Personnel Fan (Exhaust) switch on the Accessory Control Box with the Vent Duct Control Handle in DOWN position for 2 minutes when crew members observe fumes, smoke or indication of carbon monoxide build up in the crew compartment.

L-8 AFCS FIRE MISSION - CONTINUED

L-8.6 Direct Fire Procedures Using AFCS.

NOTE

While the AFCS can be used, manual (one man-one sight) procedures have been found to be faster and just as accurate.

For direct fire against close range targets, AFCS can be used to aid in laying the cannon. COS identifies target, states type charge, projectile and fuze to be used, estimates speed (if target is moving) and announces lead to GUNNER. COS continues direct firing procedures until target is destroyed.

- a. COS first identifies direct fire target. If target consists of several weapons, he selects target that is the greatest threat to his position.
- b. COS gives fire command in the following order:

ELEMENT	EXAMPLE
Target designation	Target, lead tank
Target direction	Left/right front
Projectile, charge, fuze	Shell HE, charge 7, fuze quick
Lead	Lead left/right 10
Method of fire	Fire at will

NOTE

- Fire at will means to keep firing until target is destroyed or another command is given.
- COS will estimate range if he has no accurate range.
- COS will use lead chart mounted in commander's cupola (shown below) for initial lead.

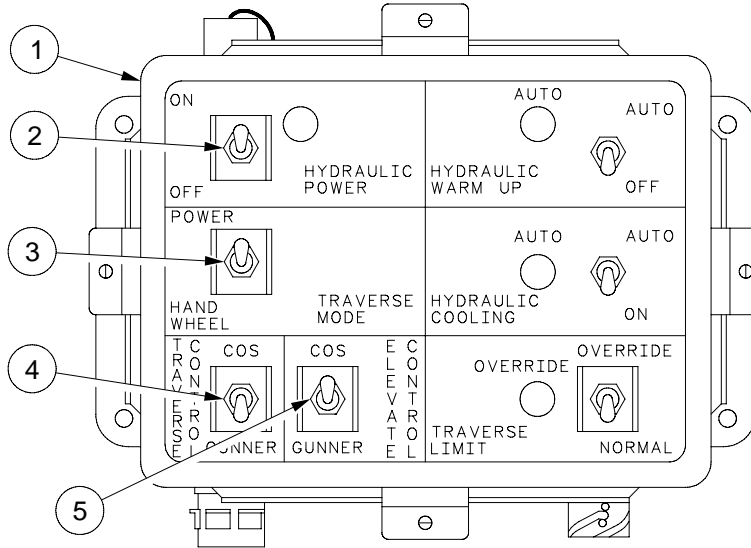
DIRECT FIRE MOVING TARGET LEAD			
TARGET SPEED (MPH)	TARGET DIRECTION OF TRAVEL LEAD IN MILS (m)		
	←→	↖↗	↕
5	5m	5m	0m
10	10m	5m	0m
15	15m	10m	0m
20	20m	15m	0m
25	20m	15m	0m
30	30m	20m	0m

- c. On Display Unit COS sets GUN SERVO switch to OFF.

L-8 AFCS FIRE MISSION - CONTINUED

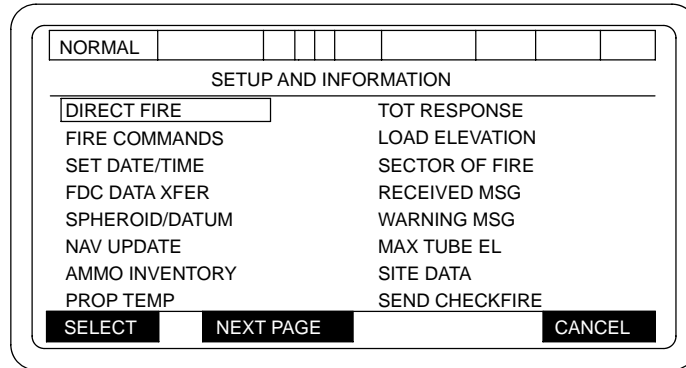
L-8.6 Direct Fire Procedures Using AFCS - Continued

- d. On hydraulic control box (1), turn HYDRAULIC POWER switch (2) to ON, TRAVERSE MODE switch (3) to POWER, TRAVERSE CONTROL switch (4) to GUNNER, and ELEVATE CONTROL switch (5) to COS.



hipc173a

- e. Bring up SETUP AND INFORMATION menu on Display Unit.



06pc260t

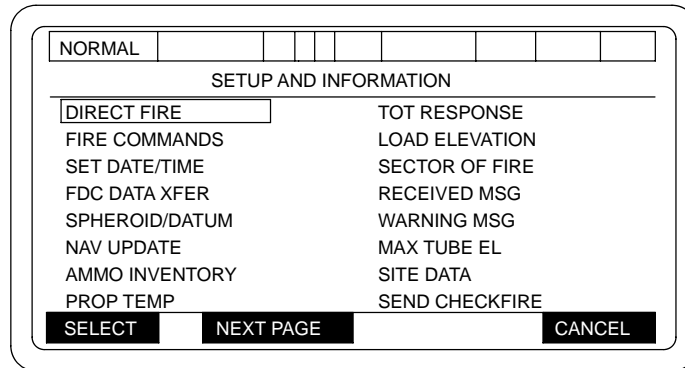
NOTE

The NAV update selection shall be available to the AFCS operator at all times except when a fire mission is active or the navigation subsystem is unavailable.

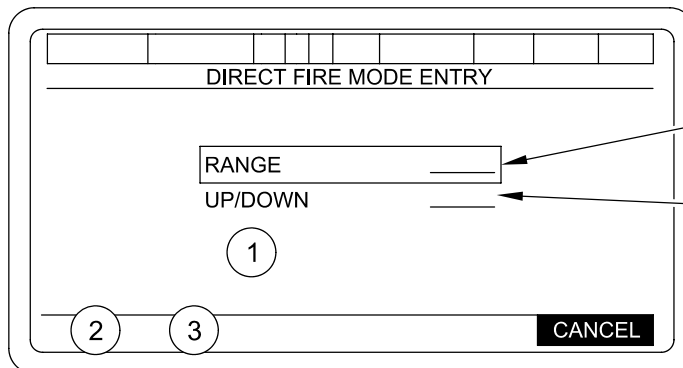
L-8 AFCS FIRE MISSION - CONTINUED

L-8.6 Direct Fire Procedures Using AFCS - Continued

- f. With cursor (box) at DIRECT FIRE, press soft key located directly beneath SELECT prompt to display a DIRECT FIRE MODE ENTRY menu on DU.



06pc260t



RANGE TO TARGET
10..2500 METERS
DEFAULT = 500

RELATIVE ALTITUDE
OF TARGET
-999.. +999 METERS
DEFAULT = 0

06pc183ma

- ① blank - No selection made
"TYPE VALUE 10 TO 2500 METERS" - RANGE Selected.
"-PRESS ENT KEY-"
"TYPE VALUE -999 TO +999" - UP/DOWN Selected.
"-PRESS ENT KEY-"
- ② blank - If RANGE or UP/DOWN Selected
- SELECT** -Awaiting Selection or USE ALL. Selects current menu item.
- ③ blank - If RANGE Selected
- +/-** - UP/DOWN Selected. Change sign of value
- USE ALL** - Awaiting Selection or USE ALL. Initiate direct fire mission.

L-8 AFCS FIRE MISSION - CONTINUED

L-8.6 Direct Fire Procedures Using AFCS - Continued

- g. Press soft key located directly beneath the USE ALL prompt of the DIRECT FIRE MODE ENTRY menu to display a FIRE MISSION menu.

The diagram shows a rectangular screen with a grid of fields. At the top center is a black box with the text "FIRE WHEN READY". Below this are several rows of input fields:

- Row 1: A row of 10 small boxes, followed by "VLY" in a larger box.
- Row 2: "RNDS SHELL - ____ LOT" on the left, and "DEFL QUAD" on the right.
- Row 3: "PROP LOT CHG" on the left, and "ACTL ____ - ____ - ____" on the right.
- Row 4: "FUZE - ____ /US SETTING" on the left, and "CMD ____ - ____ - ____" on the right.
- Row 5: "TARGET ID" on the right side.
- Row 6: A black box with "REMEMBER TO UPDATE INVENTORY" in white text.
- Row 7: Two black boxes with "CHECK" and "EOM" in white text.

Callouts point to the following fields:

- "PROJECTILE DESIGNATOR, MODEL, AND LOT" points to the "SHELL" field.
- "PROPELLANT DESIGNATOR, LOT, AND CHARGE" points to the "PROP" field.
- "FUZE DESIGNATOR, COUNTRY, AND MODEL" points to the "FUZE" field.
- "OR AZ (AZIMUTH)" points to the "VLY" field.
- "CURRENT MISSION TARGET ID MANUAL, OR DIRECT" points to the "TARGET ID" field.

06pc141ta

NOTE

You will only use the ACTL QUAD field of this screen to set tube elevation.

- h. Using the DIRECT FIRE RANGE PLATE, the COS determines elevation based on estimated range. Using COS control handle, COS elevates/depresses gun to proper elevation in the ACTL QUAD field of the FIRE MISSION menu, then announces "SET" continually until howitzer is fired.

DIRECT FIRE RANGE PLATE 155MM HOWITZER			
M549A1 RAP		M107 HE PROJECTILE	
ROCKET OFF		M19A1 PC WB	
M203 SERIES PC RB		M119A2 PC RB	
RANGE METERS	ELEV MILS	RANGE METERS	ELEV MILS
400	3	400	4
600	5	600	7
800	6	800	9
1000	8	1000	11
1200	9	1200	14
1400	11	1400	16
L15 HE PROJECTILE		M107 HE PROJECTILE	
M203 SERIES PC RB		M4A2 PC WB	
RANGE METERS	ELEV MILS	RANGE METERS	ELEV MILS
400		400	6
600		600	10
800		800	13
1000		1000	16
1200		1200	20
1400		1400	23
PLATE DIRECT FIRE		P/N 12910859	

L-8 AFCS FIRE MISSION - CONTINUED

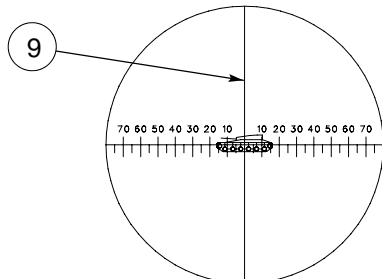
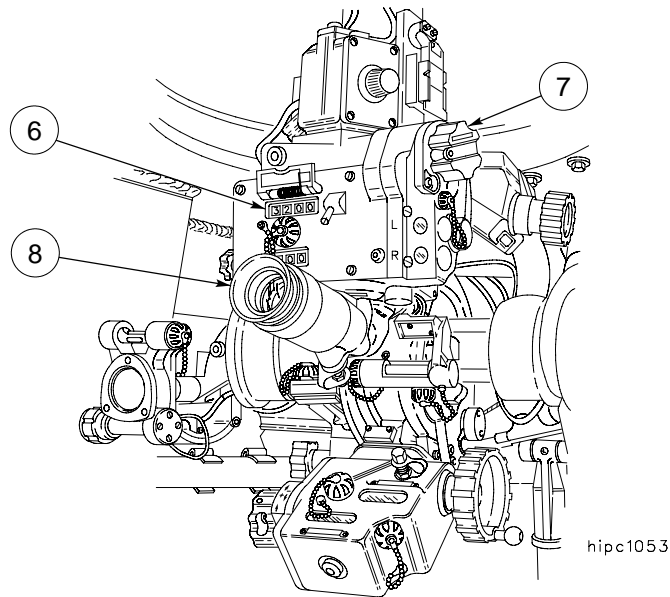
L-8.6 Direct Fire Procedures Using AFCS - Continued

- i. On subsequent rounds, the COS will estimate a new range based on observed effects and repeat step h until target is destroyed or other commands become necessary.
- j. GUNNER sets azimuth counter (6) to 3200, and turns direct/indirect fire bar knob (7) to DIRECT position to engage 5.0 mils per click sight mechanism.

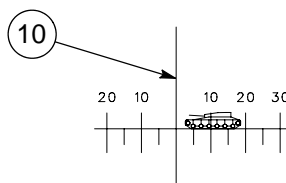
NOTE

The head of the PANTEL must remain oriented with the gun tube. The PANTEL will be oriented with the gun tube if the azimuth counter reads 3200 and the PANTEL is properly boresighted.

- k. If central laying is used, GUNNER applies announced lead to azimuth counter (6). If lead is left, add the lead angle to 3200; if lead is right, subtract the lead angle from 3200. The GUNNER then sights through the eyepiece (8) and traverses tube until vertical hairline (9) of PANTEL centers on the target. If reticle method is used, GUNNER places vertical hairline (10) left or right of target the number of mils lead announced by COS.



CENTRAL LAYING



RETICLE METHOD

hipc1057

L-8 AFCS FIRE MISSION - CONTINUED

L-8.6 Direct Fire Procedures Using AFCS - Continued

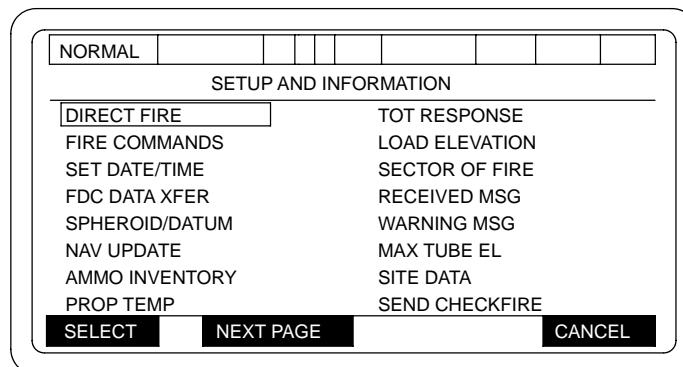
- l. When GUNNER establishes correct sight picture, and COS has announced "SET," GUNNER commands "FIRE."
- m. CANNONEER fires gun.
- n. After firing, GUNNER continues to lay on target until it is destroyed or a subsequent fire command is issued.
- o. COS gives subsequent fire commands based on observed effects and changes lead as necessary.

ELEMENT	EXAMPLE
Change in Lead	Right/left 5

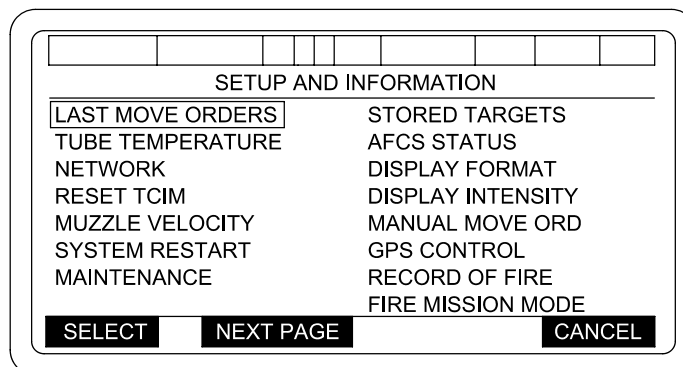
- p. GUNNER turns azimuth deflection knob in 5-mil (1-click) increments to set lead change.

L-8.7 System Menus.

The SETUP AND INFORMATION menu is used to access the various screens to initialize the AFCS and align the Navigation System. It also provides access to menus allowing the operator to enter fire commands and muzzle velocities, access messages, and to monitor AFCS STATUS and tube temperature. The operator can change the display format and intensity, input Manual Move Orders, perform a system update, and access stored targets. The operator can enter a SPHEROID/DATUM; can access the MAINTENANCE MODE MENU; and can update his ammunition inventory. This will complete the capabilities of the system menus.



06pc260t



06pc261t

L-8 AFCS FIRE MISSION - CONTINUED

L-8.7 System Menus - Continued

L-8.7.1 Fire Commands. If the Ballistic Computer or digital communications is out, fire commands (deflection and quadrant) will be sent by voice to the howitzer COS. The operator will enter these fire commands manually as follows:

- a. Box in FIRE COMMANDS on SETUP AND INFORMATION menu and press SELECT key to display a FIRE COMMANDS ENTRY screen.

06pc204tb

- b. With the FIRE COMMANDS ENTRY screen displayed, box in DEFLECTION; press SELECT key; type in deflection; and press ENT key.
- c. Box in QUADRANT and press SELECT key. Type in quadrant and press ENT key.
- d. When correct fire command has been entered, press USE ALL key to display a FIRE MISSION screen with firing data in the COMMANDED (CMD) field.

06pc144ta

- e. The fire mission is fired using normal procedures.
- f. When the voice order to end the mission is received, press the EOM key.
- g. Ammo accountability is then manually processed (para L-8.3).

L-8 AFCS FIRE MISSION - CONTINUED

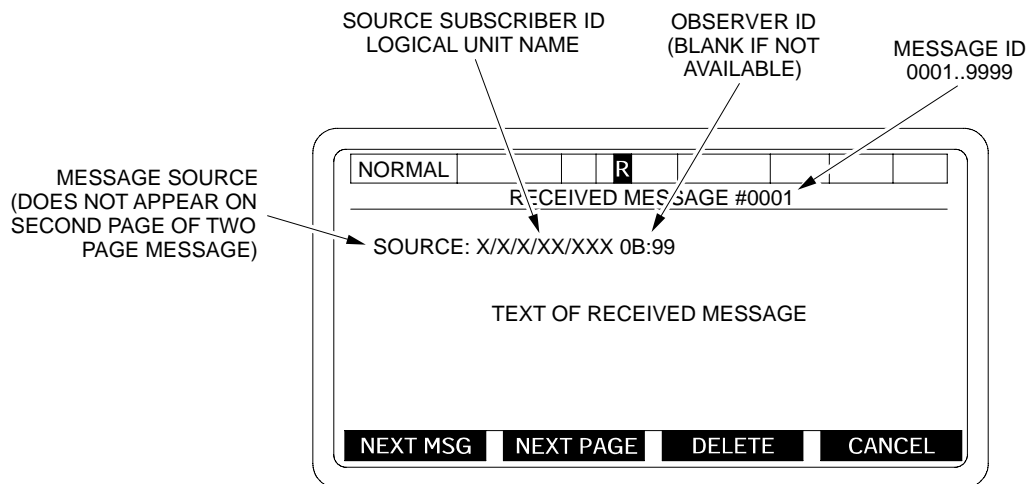
L-8.7 System Menus - Continued

L-8.7.2 Messages. The two types of AFCS messages accessed from the SETUP AND INFORMATION menu are RECEIVED MSG and WARNING MSG. The received messages are ones received from the POC and the warning messages are generated by the AFCS for system status. When there is a new message to read, a RCVD MSG (R) highlighted field 5 or WARN MSG (W) highlighted field 4 indicator will be displayed at the top of the screen. Access messages using the following procedures:

- Box in desired message on SETUP AND INFORMATION menu and press SELECT key to display a RECEIVED MESSAGE/SYSTEM WARNING MESSAGE.
- If more than one message is in the message queue, display next message by pressing the NEXT MSG key. If a message contains more than one page, display next page by pressing NEXT PAGE key.
- To return to the SETUP AND INFORMATION menu, press CANCEL key.

NOTE

- The AFCS shall keep three (3) messages in a buffer. If there are more than three unviewed messages, the AFCS shall discard the oldest and display the error message "MESSAGES HAVE BEEN LOST" "ACK" to the operator upon entry into the screen.
- The RECEIVED MESSAGE counter has a range from 0001 to 9999 and will rest on each powerup.



- NEXT MSG** = DISPLAY NEXT MESSAGE (IF THERE ARE NO ADDITIONAL MESSAGES, THEN THE SCREEN DISPLAYS: "NO MORE MESSAGES")
- NEXT PAGE** = DISPLAY NEXT PAGE (BLANKED IF NO NEXT PAGE)
- DELETE** = DELETE CURRENT MESSAGE (IF THERE ARE NO MORE MESSAGES, THEN "NO MORE MESSAGES" SHALL BE DISPLAYED)

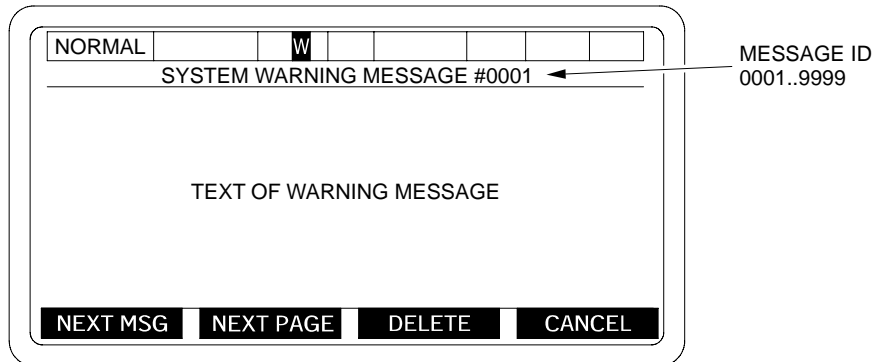
L-8 AFCS FIRE MISSION - CONTINUED

L-8.7 System Menus - Continued

L-8.7.2 Messages - Continued

NOTE

The SYSTEM WARNING MESSAGE counter has a range from 0001 to 9999 and will reset on each powerup.



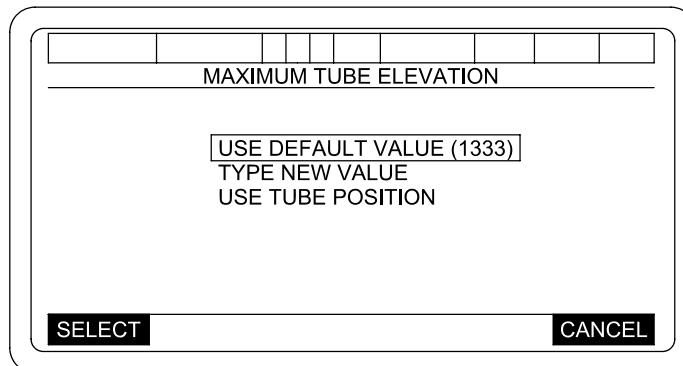
06pc189m

NEXT MSG = DISPLAY NEXT MESSAGE (IF THERE ARE NO ADDITIONAL MESSAGES, THEN THE SCREEN DISPLAYS: "NO MORE MESSAGES")

NEXT PAGE = DISPLAY NEXT PAGE (BLANKED IF NO NEXT PAGE)

DELETE = DELETE CURRENT MESSAGE (IF THERE ARE NO MORE MESSAGES, THEN "NO MORE MESSAGES" SHALL BE DISPLAYED)

L-8.7.3 Maximum Tube Elevation. From the SET UP AND INFORMATION menu select "MAX TUBE EL" to input the maximum tube elevation.



06pc154ma

- a. Entering MAXIMUM TUBE ELEVATION. If a maximum tube elevation is not entered, the default value as shown on the display will be entered automatically. If an elevation other than the default value is desired, the entry can be made by either of two methods:

L-8 AFCS FIRE MISSION - CONTINUED

L-8.7 System Menus - Continued

L-8.7.3 Maximum Tube Elevation - Continued

NOTE

Numerical value must be entered before sign.
Default sign is (+).

- (1) Box in TYPE NEW VALUE and depress SELECT to bring up a new MAXIMUM TUBE ELEVATION display. Enter required value for MAX TUBE EL and press ENT key.

06pc655m

- (2) Box in USE TUBE POSITION and press SELECT key to bring up a new MAXIMUM TUBE ELEVATION display. Using the COS or gunner's control handle, move tube to desired elevation and press ENT key.

06pc156ma

L-8 AFCS FIRE MISSION - CONTINUED

L-8.7 System Menus - Continued

L-8.7.4 Send Checkfire. Selecting SEND CHECKFIRE will result in questions asked, "ARE YOU SURE", "YES" "NO". "YES" selection will cause all howitzer systems to be placed on CHECKFIRE. Only the POC/FDC can cancel the CHECKFIRE. "NO" selection = No action.

- ① **EOM** - MISSION is direct or manual
- ABORT** - MISSION is not direct or manual

06pc145t

L-8.7.5 Stored Targets. The AFCS can store up to ten targets. These targets can be reviewed for information concerning target number, rounds to be fired, shell, propellant, fuze, and method of control. To access the target summary, perform the following steps:

- a. Box in STORED TARGETS on SETUP AND INFORMATION menu and press SELECT key to display a STORED TARGET SUMMARY screen.
- b. If there is more than one page, press NEXT PAGE key to display next page.
- c. To return to SETUP AND INFORMATION menu, press CANCEL key.

TARGET	RND	SHELL	PROP	FUZE	CONTROL
AA0001		HE			FPF
AA0340	6	ICM		TI	12:1430
AA0245	3				12:1545
AA0045	2	WP		TI	
	2	HEA A	M232	PDAD/US	WR

NEXT PAGE = SHOWS NEXT PAGE. IF LAST PAGE, THEN SHOWS FIRST PAGE. (BLANKED IF ONLY ONE PAGE OR NO TARGETS).

06pc145ta

NOTE

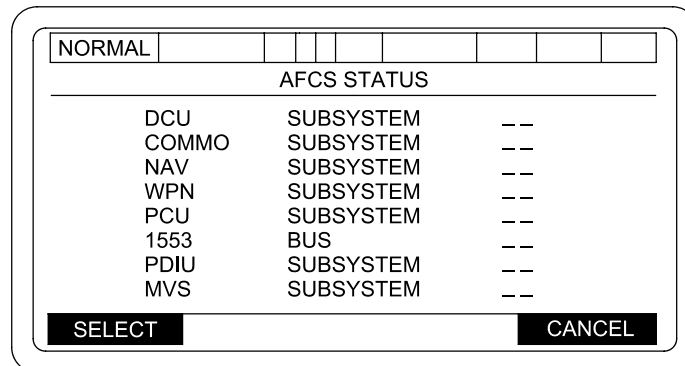
- Shell and fuze entries will be blank if the stored mission arrives from the FDC with unspecified ammunition and is not an FPF mission (as shown above in target ID AA0245).
- Targets with RND (rounds) over 99 are displayed with **.

L-8 AFCS FIRE MISSION - CONTINUED

L-8.7 System Menus - Continued

L-8.7.6 AFCS Status. To display the AFCS SUBSYSTEM STATUS, proceed as follows:

- Box in AFCS STATUS on SETUP AND INFORMATION menu and press SELECT to display the AFCS STATUS screen.
- Cursor and select an AFCS SUBSYSTEM to view the sub-components. The status of each sub-component will be displayed either "OK" or "FAIL".
- To return to the SETUP AND INFORMATION menu, press CANCEL key.



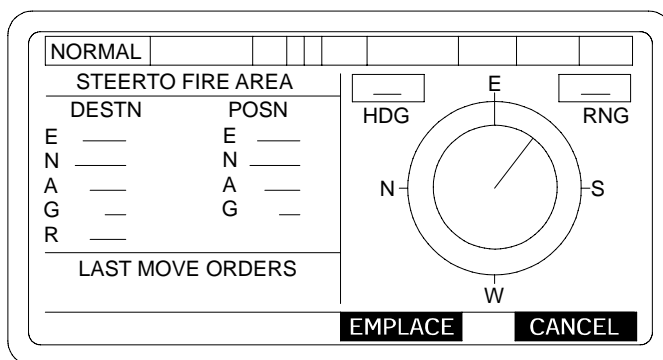
06pc075ma

L-8.7.7 Last Move Orders. To display the last move orders received by the AFCS, proceed as follows:

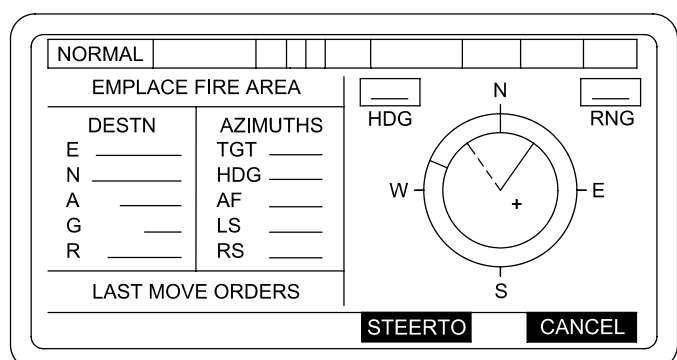
- Box in LAST MOVE ORDERS on SETUP AND INFORMATION menu and press SELECT key. A STEERTO FIRE AREA screen will be displayed showing LAST MOVE ORDERS.
- Press the EMLACE key to display an EMLACE FIRE AREA screen showing LAST MOVE ORDERS.
- From STEERTO FIRE AREA or EMLACE FIRE AREA screen, the SETUP AND INFORMATION menu can be reached by pressing the CANCEL key.

NOTE

This will not be available after the first Survivability Move.



06pc191m



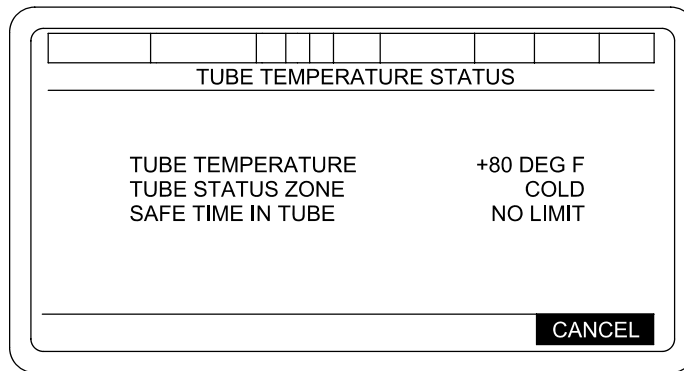
06pc192ma

L-8 AFCS FIRE MISSION - CONTINUED

L-8.7 System Menus - Continued

L-8.7.8 Tube Temperature. The TUBE TEMPERATURE STATUS is shown on the FIRE MISSION screen as COLD, WARM, or HOT; and a time is displayed which indicates how long a complete round may remain in the tube. TUBE TEMPERATURE STATUS can also be displayed as follows:

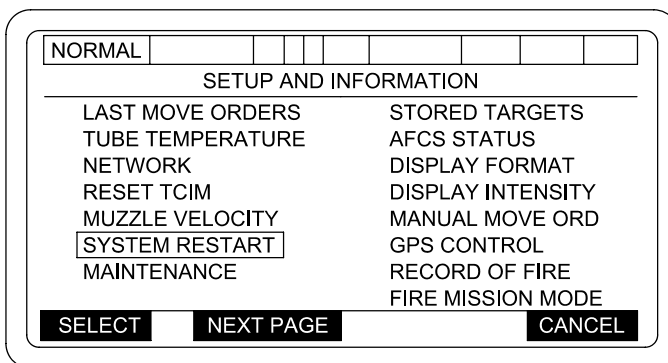
- Box in TUBE TEMPERATURE on SETUP AND INFORMATION menu and press SELECT key.
- A TUBE TEMPERATURE screen will be displayed showing TEMPERATURE STATUS (COLD, WARM, HOT), and SAFE TIME IN TUBE.
- To return to SETUP AND INFORMATION menu, press CANCEL key.



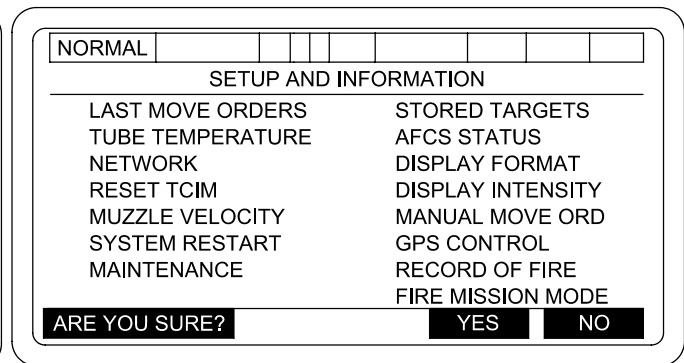
06pc193ma

L-8.7.9 System Restart. To do a SYSTEM RESTART without shutting the system off and powering back-up, proceed as follows:

- Box in SYSTEM RESTART on SETUP AND INFORMATION menu and press SELECT key. A prompt will be displayed, "ARE YOU SURE", "YES" or "NO".
- The system will restart at a POWER UP STATUS.
- "INITIALIZATION" must be performed.



06pc261tc



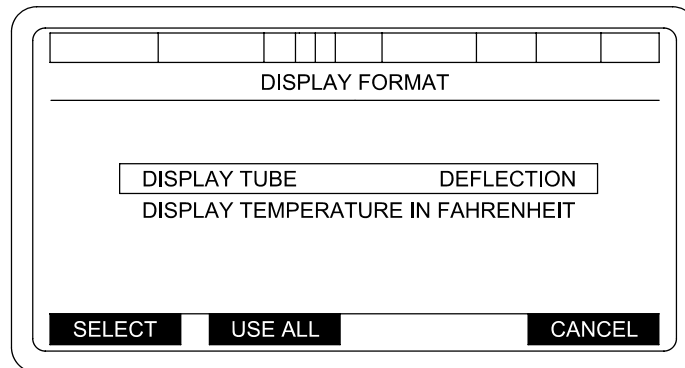
06pc261td

L-8 AFCS FIRE MISSION - CONTINUED

L-8.7 System Menus - Continued

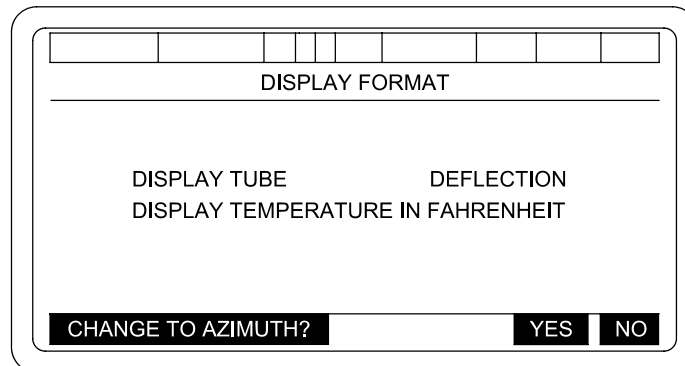
L-8.7.10 Display Format. This function is used to change the display of the tube position from AZIMUTH to DEFLECTION, and vice versa; or the TEMPERATURE STATUS display from Fahrenheit to Celsius, and vice versa. This display format is changed as follows:

- a. Box in DISPLAY FORMAT on SETUP AND INFORMATION menu and press SELECT key to display a DISPLAY FORMAT screen.



06pc196ma

- b. To change deflection, box in DISPLAY TUBE DEFLECTION and press SELECT to display another DISPLAY FORMAT screen.
- c. This screen asks the question: CHANGE TO AZIMUTH/DEFLECTION? Press the appropriate soft key, YES or NO. This will return the display to the original DISPLAY FORMAT screen.



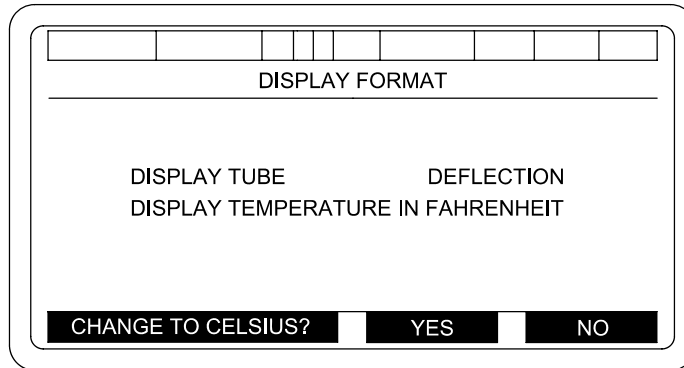
06pc197ma

L-8 AFCS FIRE MISSION - CONTINUED

L-8.7 System Menus - Continued

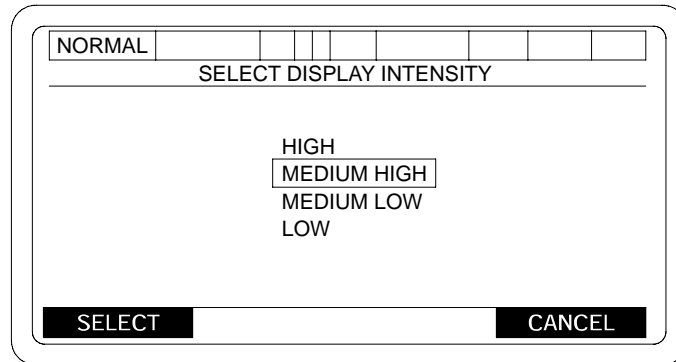
L-8.7.10 Display Format - Continued

- d. To change the temperature display, box in DISPLAY TEMPERATURE IN FAHRENHEIT and press SELECT key to display another DISPLAY FORMAT screen.
- e. Answer screen question CHANGE TO CELSIUS? by pressing appropriate soft key.
- f. When original DISPLAY FORMAT screen is displayed, press USE ALL key to return to SETUP AND INFORMATION menu.



L-8.7.11 Display Intensity. The display intensity of the EL Panel can be changed to four different intensity levels as follows:

- a. Box in DISPLAY INTENSITY on SETUP AND INFORMATION menu and press SELECT key to display a SELECT DISPLAY INTENSITY screen.
- b. On the SELECT DISPLAY INTENSITY screen, box in desired intensity and press SELECT key. Display will change to the selection made.



L-8 AFCS FIRE MISSION - CONTINUED

L-8.7 System Menus - Continued

L-8.7.12 Manual Move Order. When it is necessary to move the howitzer without a move order from the POC enter the movement data as follows:

- Box in MANUAL MOVE ORDER on SETUP AND INFORMATION menu and depress SELECT key to display a MANUAL MOVE ORDER ENTRY screen.
- Enter data by boxing in each data field and then typing in desired data. As each field is filled, press ENT key to enter data.
- When all data has been entered, press USE ALL key. This will cause the SETUP AND INFORMATION screen to be displayed with MOVE ORD at the top. Press CANCEL key to display the MOVE ORDER screen (STEERTO or EMLPCE).

MANUAL MOVE ORDER ENTRY

EASTING	-----	-----
NORTHING	-----	RANGE
ALTITUDE	-----	
GRID ZONE	--	
HEMISPHERE	NORTH	
DEST TYPE	-----	

SELECT
USE ALL
CANCEL

06pc262t

NOTE

- If the Move Order coordinates are outside the MapMod, no AFCS warning message will be issued. All Move Order coordinates should be checked with a map spot, or through some other secondary means to insure they are within the current MapMod.
- If the Move Order coordinates are in an adjacent Grid Zone, the AFCS will automatically convert these coordinates to the MapMod Grid Zone. Once the STEER TO screen is displayed, the entered coordinates will be converted to the MapMod Grid Zone. If a map spot is performed, the MapMod Grid Zone will need to be extended into the adjacent Grid Zone.
- If Destination Type is to a FIRING POINT, Operator must input SECTOR OF FIRE prior to inputting a Manual Move Order.

L-8 AFCS FIRE MISSION - CONTINUED

L-8.7 System Menus - Continued

L-8.7.12 Manual Move Order - Continued

- Destination Types are: LOG POINT (for resupply), INIT POINT (for survey control point) and FIRE POINT.
- If DO NOT MOVE was on the screen before you start this move, the AFCS will notify FDC that the howitzer is moving.
- RANGE shows the distance to the entered point from the current location based on easting and northing. It is not operator selectable. Move order distance will only be displayed up to 99,999 meters. If the value is 100,000 to 350,000 meters, "*****" will be displayed. If the value is more than 350,000 meters, you will receive an error message, "DISTANCE EXCEEDS 350 KM" "ACK".
- If the position entered is above 84 degrees north or below 80 degrees south, the entry will be rejected and you will receive an error message, "POSITION IS NOT VALID" "ACK".

L-8 AFCS FIRE MISSION - CONTINUED

L-8.7 System Menus - Continued

L-8.7.13 GPS Control. Used to enhance positioning. The POC will instruct you when to use GPS Control.

NOTE

Use according to unit SOP.

- a. Select either USE GPS AIDING or USE ONLY CODED GPS DATA.
- b. You will receive the following operator prompts.

06pc201m

OPERATOR PROMPTS (ON SOFTKEY LINE):

1. WHEN GPS AIDING SELECTED:

USE GPS AIDING? **YES** **NO**

2. WHEN USE ONLY CODED GPS DATA SELECTED:

USE ONLY CODED GPS? **YES** **NO**

NOTE: VALUES SHOWN ARE SYSTEM SUPPLIED DEFAULTS.

L-8.7.14 Record of Fire.

FM	DTG RCVD	TGT LOC
AA0002	9710051013	540550/04531720/00215
F00002	9710041600	545455/04564720/-0001
F00001	9710041320	543672/04361720/00216
MANUAL	9710020729	

06pc263t

SELECT : View firing data from a particular mission.

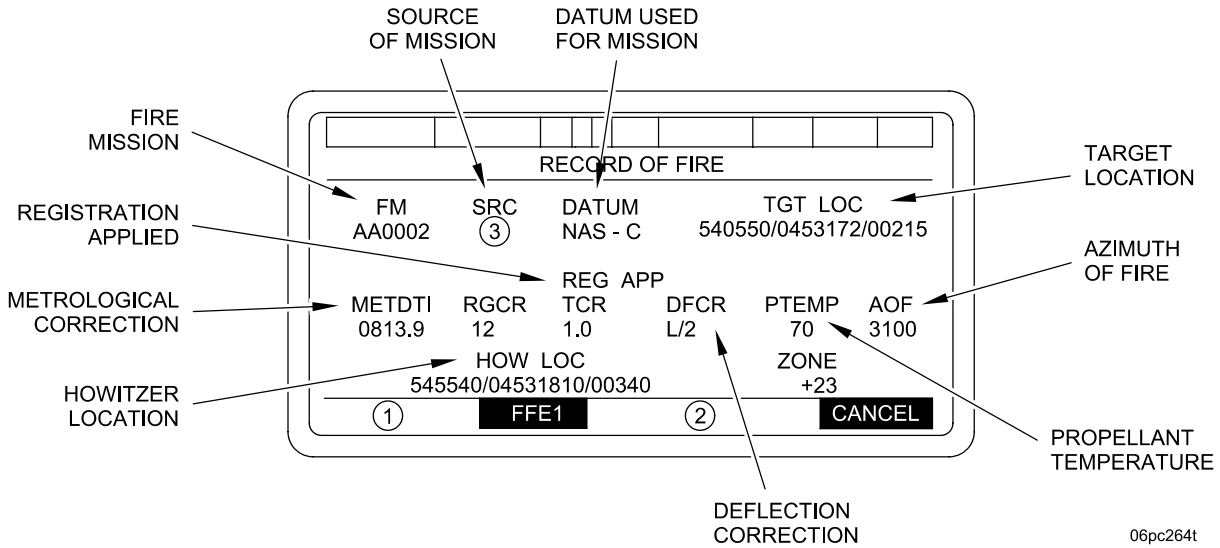
CANCEL : Returns to SETUP AND INFORMATION menu.

Mission data displayed in order from latest received to earliest.

L-8 AFCS FIRE MISSION - CONTINUED

L-8.7 System Menus - Continued

L-8.7.14 Record of Fire - Continued



06pc264t

- ① The "ADJ" soft key will be displayed if there is an adjust phase for the mission. Otherwise it will be blank.
- ② The "FFE2" soft key will be displayed if there is a second Fire for Effect phase for the mission.
- ③ When the mission is received from an FDC, "FDC" will be displayed. If the mission is DIRECT or MANUAL, "OPR" will be displayed. If the mission is received from an Additional Subscriber, then "OTH" will be displayed.

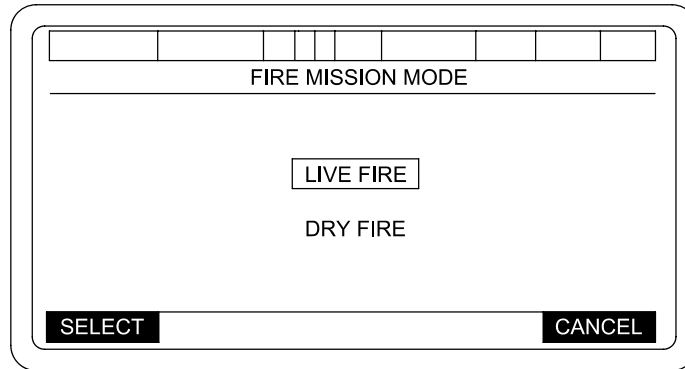
- The "FFE1" soft key will be blank when the fire mission selected is a "MANUAL" or "DIRECT".
- The "FFE1" "FFE2", or "ADJ" soft keys will allow you to view pre-shot data for that phase.
- The "CANCEL" soft key will display the RECORD OF FIRE menu.
- If the fire mission is an FDC computed mission, only the FFE1 soft key will be available.
- The "METDTI" field will show the date-time group from the MEET message.
- The following default criteria for FDC computed fire missions shall appear in the RECORD OF FIRE displays:

MET (CURRENT NVM)
 POWDER TEMPERATURE (CURRENT NVM)
 MVV (-99.9)
 REGISTRATION DATA (ZEROS)
 TARGET LOCATION AND ELEVATION (ZEROS)

L-8 AFCS FIRE MISSION - CONTINUED

L-8.7 System Menus - Continued

L-8.7.14.1 Fire Mission Mode.



06pc269t

- When "LIVE FIRE" is selected, EFC updates shall be performed upon EOM/Abort Fire Mission Processing.
- When "DRY FIRE" is selected, Muzzle Velocity processing and EFC processing shall not be performed. All other functions are performed as they would be in a normal Live Fire Mode. An operator warning "D" shall be shown in position 4 of the Function Status Field. This warning shall remain in all screens until "LIVE FIRE" is selected.

L-8.7.15 Muzzle Velocity. For more accurate firing data when computing ballistics, measured muzzle velocities are entered into the AFCS. Also, muzzle velocities can be entered as they are measured. This is performed as follows:

WARNING

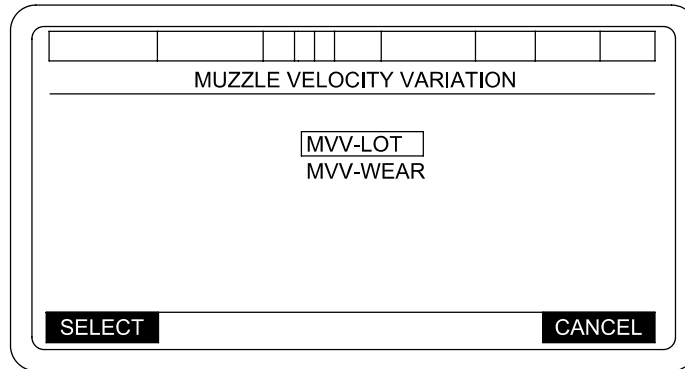
Ensure that correct propellant temperature and shell weights are entered in AFCS. Failure to comply will result in incorrect ballistic computations. This could result in injury or death to friendly troops.

L-8 AFCS FIRE MISSION - CONTINUED

L-8.7 System Menus - Continued

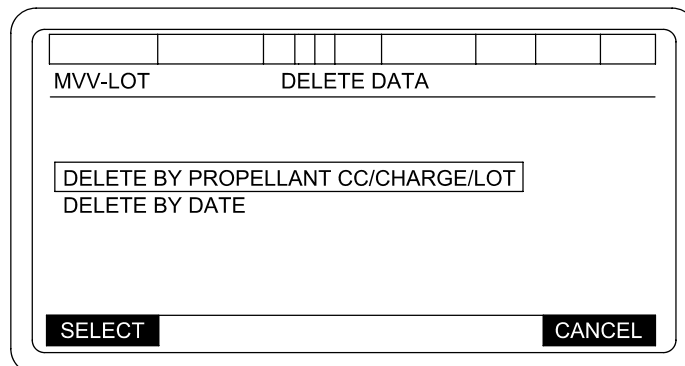
L-8.7.15 Muzzle Velocity - Continued

- a. Box in MUZZLE VELOCITY on SETUP AND INFORMATION menu and press SELECT key to display a MUZZLE VELOCITY VARIATION screen.



06pc266t

- b. To delete muzzle velocity, box in MVV-LOT from the MUZZLE VELOCITY VARIATION screen and press SELECT.



06pc266ta

L-8 AFCS FIRE MISSION - CONTINUED

L-8.7 System Menus - Continued

L-8.7.15 Muzzle Velocity - Continued

- c. To delete muzzle velocity by propellant cc/charge/lot, box in DELETE BY PROPELLANT CC/CHARGE/LOT and press SELECT.

The screenshot shows a terminal-style interface with a grid of menu options. The top row contains 'NORMAL' followed by several empty boxes. The second row contains 'MUZZLE VELOCITY' followed by 'DELETE BY CC/CHARGE/LOT'. Below this are two input fields, each with a cursor. At the bottom, there are two buttons: 'SELECT' on the left and 'EXIT' on the right.

06pc273t

Lots are displayed in ascending ASCII sort sequence by country, manufacturer's propellant lot, and then propellant charge. When SELECT soft key is pressed the short message "DELETE VELOCITY DATA" "YES" "NO" will be displayed. YES causes the MVV Lot data for the selected propellant lot to be deleted from the display. NO allows the re-selection of a propellant lot. While extended lot codes are being retrieved and sorted for display, the following message shall be displayed:

"RETRIEVING LIST PLEASE WAIT"

If no lots are available for deletion, the SELECT key will be blanked, you will have a CANCEL at soft key 4 and the message "NO LOTS TO DELETE" will be displayed.

If there is more than one page of entries in the MVV-Lot database, you will have a "NEXT PAGE" at soft key 2 and "PREVIOUS PAGE" at soft key 3. If the first page of entries is displayed, the "PREVIOUS PAGE" soft key will be blanked. If the last page of entries is displayed, the "NEXT PAGE" soft key will be blanked.

EXIT replaces the CANCEL soft key once a lot has been deleted. When the "EXIT" soft key is pressed, the message "PERM DELETE LOTS" "YES" "NO" shall be displayed. If YES is selected, the propellant lots will be deleted from the MVV-Lot Database. If NO is selected, propellant lots shall not be deleted from the MVV-Lot Database.

L-8 AFCS FIRE MISSION - CONTINUED

L-8.7 System Menus - Continued

L-8.7.15 Muzzle Velocity - Continued

- d. To delete muzzle velocity by the date box in DELETE BY DATE and press SELECT.

06pc267t

When ENT key is pressed, a validity check is performed on the entered date/time. If the date/time is invalid, you will receive a short error message: "INVALID DTG VALUE" "ACK". You will be required to enter a new Date/Time value. If the date/time data is valid, a short message "DELETE MVV" "YES" "NO". YES causes all MVV Lot data older than the entered DTG to be deleted. NO allows re-entry of the DTG.

- e. To update muzzle velocity variation tube wear information, box in MVV-WEAR from the MUZZLE VELOCITY VARIATION screen and press SELECT.

PROJ FAMILY	MVV TUBE WEAR
HE	0.6
ICM	0.4
RAP	0.2
BB	0.1
CPH	0.1

06pc267ta

When an entry has been selected the "+/-" will be displayed at soft key 2. The phrase "ENTER A VALUE BETWEEN -49.9 AND +49.9" and "PRESS ENT KEY" will be displayed. If the value is greater than +/- 49.9, you will receive a short error message: "VALUE TOO BIG" "ACK" or "VALUE TOO SMALL" "ACK". The value will be returned to the previous value displayed and allow re-entry. when you have updated an entry with a different value, "UPDATE" will be displayed at soft key 2. Press "UPDATE". This will update the MVV-Wear database and return to the MUZZLE VELOCITY VARIATION screen.

L-8 AFCS FIRE MISSION - CONTINUED

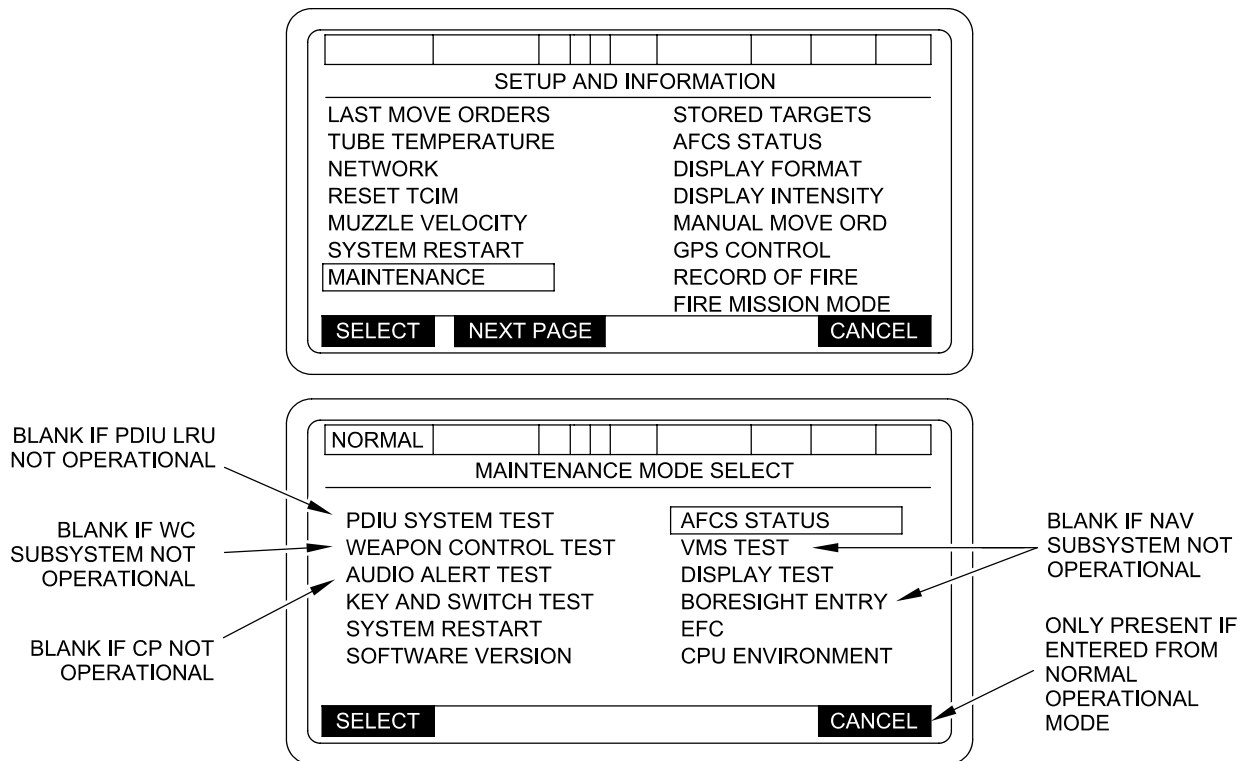
L-8.7 System Menus - Continued

L-8.7.16 Operational Maintenance Transition.

The AFCS will provide the capability for the AFCS operator to transition from NORMAL OPERATIONAL MODE functions to MAINTENANCE MODE functions and back to NORMAL OPERATIONAL MODE without having to POWER DOWN, perform SYSTEM RESTART, or perform NORMAL OPERATIONAL MODE initialization procedures. This capability will only be available when the AFCS has successfully completed an NORMAL OPERATIONAL MODE initialization. Selection of the MAINTENANCE MODE from the AFCS MODE SELECTION display will not allow the AFCS operator to transition to NORMAL OPERATIONAL MODE without first having to POWER DOWN, perform SYSTEM RESTART, or do a NORMAL OPERATIONAL MODE "INITIALIZATION" procedure.

When MAINTENANCE MODE functions are selected from the AFCS NORMAL OPERATIONAL MODE, the PDIU will be directed to limit instructive testing to only respond to Fire Mission requests. When MAINTENANCE MODE is entered from the AFCS SELECT OPERATIONAL MODE display, the PDIU will be allowed to perform its full range of intrusive tests.

If a Fire Mission is received while the AFCS is in a MAINTENANCE MODE function which was activated from the NORMAL OPERATIONAL MODE, the operator will be prompted to either accept or reject the mission. NORMAL OPERATIONAL acceptance of the mission will automatically terminate all MAINTENANCE MODE function activity and transition to NORMAL OPERATIONAL MODE Fire Mission processing. Operator rejection of the mission will cause an operator ABORT of the Fire Mission and will cause the AFCS to remain in the currently active MAINTENANCE MODE function.



06pc275t

L-9 AFCS AND PDIU FAULT DETECTION.

L-9.1 Power Up Built-In-Test (BIT).

The BIT is a self-test of the AFCS. This test occurs when the vehicle MASTER power is ON and the AFCS POWER switch (located on the DU), is placed to ON. By placing the AFCS POWER switch and PCU circuit breakers to ON, the DU will display the screen shown.

As each of the eight subsystems is tested, the -- will change and provide a subsystem condition. An OK condition (see illustration below), indicates a subsystem is 100% functional.

POWER UP STATUS		
DCU	SUBSYSTEM	OK
COMMO	SUBSYSTEM	OK
NAV	SUBSYSTEM	OK
WPN	SUBSYSTEM	OK
PCU	SUBSYSTEM	OK
1553	BUS	OK
PDIU	SUBSYSTEM	OK
MVS	SUBSYSTEM	OK

06pc076m

NOTE

If DCU contains an incorrect configuration, the AFCS will not allow the operator to select normal operations until a correct DCU software configuration is downloaded.

When configuration verification checking indicates that the executed software configuration is not the same as the acquired software configuration, a short error message "INVALID SOFTWARE CONFIGURATION", "ACK" will appear on the soft key label line of the DU.

POWER UP STATUS		
DCU	SUBSYSTEM	OK
COMMO	SUBSYSTEM	OK
NAV	SUBSYSTEM	OK
WPN	SUBSYSTEM	OK
PCU	SUBSYSTEM	OK
1553	BUS	OK
PDIU	SUBSYSTEM	OK
MVS	SUBSYSTEM	OK

INVALID SOFTWARE CONFIGURATION ACK

SYSTEM SOFTWARE VERSION IDENTIFIER

ALERT ONLY PRESENT IF NECESSARY

06pc245t

When the message is acknowledged, the AFCS will proceed to the "SELECT OPERATIONAL MODE" menu. To view detailed software configuration information for each LRU, MAINTENANCE should be selected, IAW procedure in para L-9.2.

L-9 AFCS AND PDIU FAULT DETECTION - CONTINUED

L-9.1 Power Up Built-In-Test (BIT) - Continued

The display shown in the example below illustrates two conditions, DEGRADED and OUT.

V7.00				NA W			
POWER UP STATUS							
DCU	SUBSYSTEM						OK
COMMO	SUBSYSTEM						OK
NAV	SUBSYSTEM					DEGRADED	
WPN	SUBSYSTEM						OK
PCU	SUBSYSTEM						OK
1553	BUS						OK
PDIU	SUBSYSTEM						OK
MVS	SUBSYSTEM						OK
DEGRADED - ACK TO CONTINUE							ACK

06pc244t

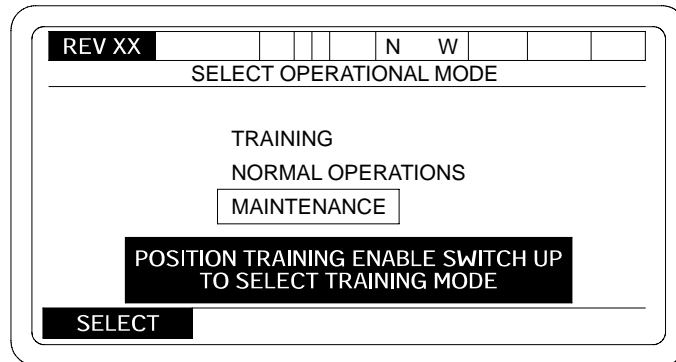
One condition is a DEGRADED condition. The DEGRADED condition indicates a subsystem is not 100% functional. When a degraded condition exists, it will be indicated in field 7 by one or a combination of these letters with the following meaning:

- N - Navigation
- A - GPS Aiding
- C - Communication Processing
- W - Weapon Controller

L-9 AFCS AND PDIU FAULT DETECTION - CONTINUED

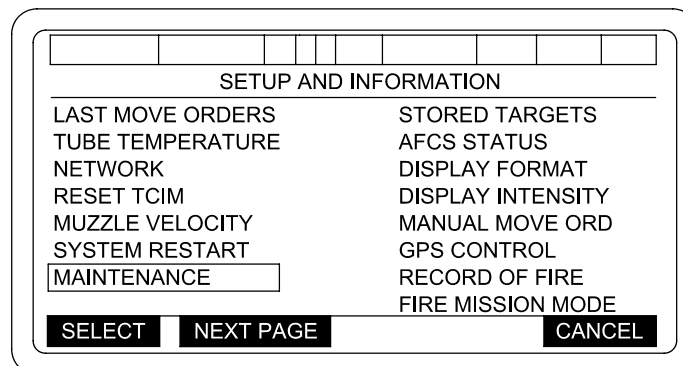
L-9.1 Power Up Built-In-Test (BIT) - Continued

These two conditions, OUT and DGRD, will be tested to determine where the fault exists and the extent of the fault. After a fault has been detected (OUT or DGRD condition during self-test) press the illuminated soft key beneath the word ACK. After pressing the ACK key, the screen shown below will be displayed.



hipc4198

The display above depicts three modes: TRAINING, NORMAL OPERATION and MAINTENANCE. To select MAINTENANCE MODE, box in MAINTENANCE as shown in the illustration above. Press illuminated soft key beneath the word SELECT to enter maintenance mode master menu.



06pc278t

The AFCS also provides the capability for the AFCS operator to transition from Normal Operational Mode functions to Maintenance Mode functions and back to Normal Operational Mode without having to perform a power down sequence, system restart, or Normal Operational Mode initialization procedures. This capability shall only be available when the AFCS has successfully completed an Normal Operational Mode initialization. Selection of the Maintenance Mode from the AFCS Mode Selection display shall not allow the AFCS operator to transition to Normal Operational Mode without first performing either a power down sequence or a system restart.

When Maintenance Mode functions are selected from the AFCS Operational Mode, the PDIU shall be directed to limit intrusive testing to only those tests which will not impact the ability of the AFCS to quickly respond to fire mission requests. When Maintenance Mode is entered from the AFCS Mode Selection display, the PDIU shall be allowed to perform its full range of intrusive tests.

L-9 AFCS AND PDIU FAULT DETECTION - CONTINUED

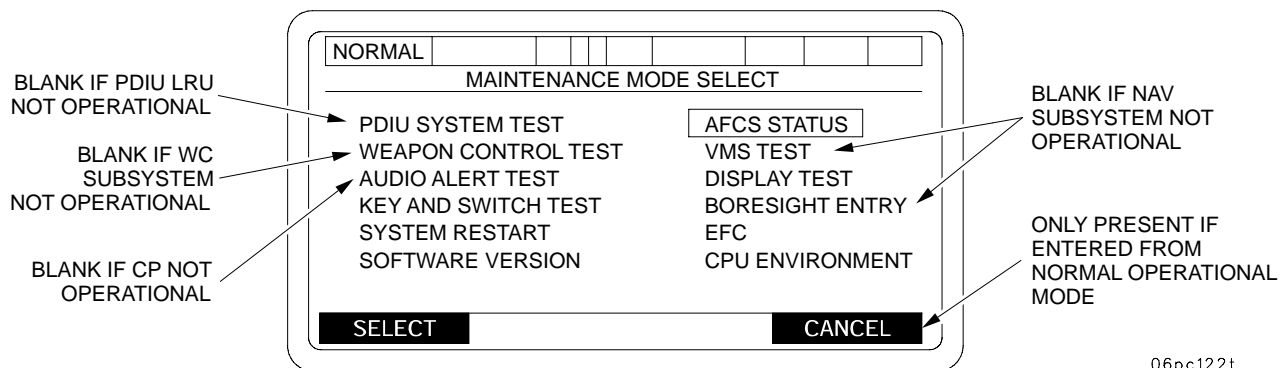
L-9.1 Power up Built-In-Test (BIT) - Continued

If a fire mission is received while the AFCS is in a Maintenance Mode function which was activated from the Operational Mode, the operator shall be prompted to either accept or reject the mission. Operator acceptance of the mission shall automatically terminate all Maintenance Mode function activity and transition to Normal Operational Mode fire mission processing. Operator rejection of the mission shall cause an operator abort of the fire mission and shall cause the AFCS to remain in the currently active Maintenance Mode function.

L-9.2 AFCS Status.

To display the AFCS STATUS menu:

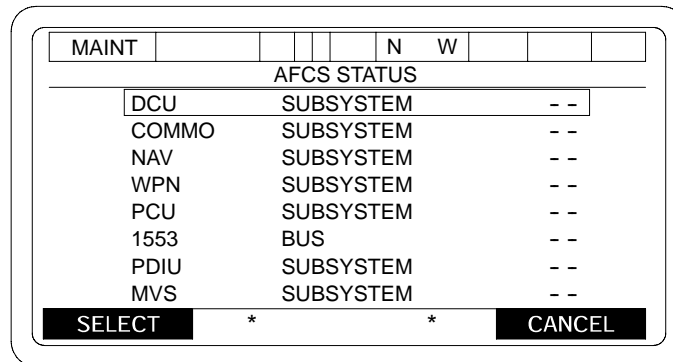
- a. Select MAINTENANCE from the SETUP AND INFORMATION menu. Press SELECT key. This will cause the MAINTENANCE MODE SELECT menu to be displayed.



06pc122t

If MAINTENANCE is selected from NORMAL OPERATIONAL MODE, the MAINTENANCE screen will display "SELECT" and "CANCEL" options above soft keys 1 and 4 in field 16.

- b. Select AFCS STATUS from the MAINTENANCE MODE SELECT menu. Press SELECT key. This will cause the AFCS STATUS menu to be displayed.



06pc120t

The AFCS STATUS menu will display the various subsystem faults. Using this fault list (showing Degraded Mode of each subsystem), you will be able to determine if Degraded Mode is acceptable depending on mission requirements.

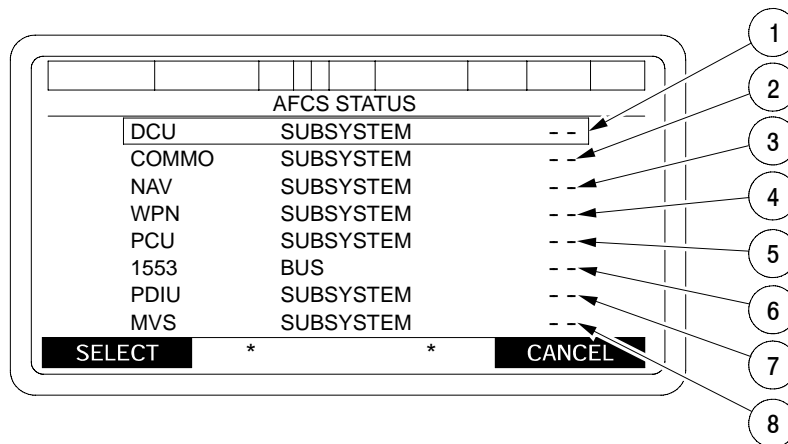
L-9 AFCS AND PDIU FAULT DETECTION - CONTINUED

L-9.2 AFCS Status - Continued

Certain degraded subsystems will not interfere with AFCS operation or mission capability. It is important to know, however, which subsystem is degraded (and which BIT item has failed). Knowing which failure to compensate for/correct will allow you to carry on with your mission. The various LRUs communicate/send messages periodically within AFCS. Whenever an LRU has not sent a message within a certain amount of time, the LRU timer sends an LRU FAILED message. In the event you get an LRU FAILED message, go into MAINTENANCE menu, check AFCS STATUS. If LRU failed, notify unit maintenance.

The AFCS STATUS menu is used by unit maintenance personnel, as well as by the operator. The operator must notify unit maintenance of any subsystem listed with a status of DEGRADED or OUT, then no faults within that subsystem are indicated. Look at each subsystem carefully.

Select the subsystem in question. Further information will be displayed to help determine where the fault lies.



- 1 = (OK, DEGRADED, OUT)
- 2 = (OK, DEGRADED, OUT)
- 3 = (OK, DEGRADED, OUT)
- 4 = (OK, DEGRADED, OUT)
- 5 = (OK, DEGRADED)
- 6 = (OK, DEGRADED, OUT)
- 7 = (OK, OUT)
- 8 = (OK, OUT, --) Where -- indicates that the AFCS could not connect to the MVS

- SELECT** = SELECT A SUBSYSTEM
- CANCEL** = CANCEL and return to SETUP AND INFORMATION menu or INTERNAL MAINTENANCE menu

* = No test appears for these softkeys. Pressing FUNCTION KEY 2 or 3 will clear ET SIMULATED FAILURES

06pc118t

L-9 AFCS AND PDIU FAULT DETECTION - CONTINUED

L-9.2 AFCS Status - Continued

L-9.2.1 DCU SUBSYSTEM STATUS Display.

MAINT						N	W		
DCU SUBSYSTEM STATUS									
CPU BRD BIT	--	I/O BRD DU SERIAL	--						
BIT HARDWARE	--	I/O BRD SERIAL	--						
INVALID HDWR	--	I/O BRD DISCRETE	--						
1553B BRD BIT	--	UNDET 1553B CONF	--						
NVM R/W	--	TR SW STATUS REC	--						
DU BIT	--	GUN SW STATUS REC	--						
									CANCEL

-- = (OK, FAIL)

CANCEL = Return to the AFCS STATUS display

06pc119t

L-9.2.2 COMMO SUBSYSTEM STATUS Display.

COMMO SUBSYSTEM STATUS									
CP BIT RECEIVED	--								
RC BIT RECEIVED	--								
TCIM BOARD BIT	--								
TCIM NET BUSY DETECT	--								
									CANCEL

-- = (OK, FAIL)

CANCEL = Return to the AFCS STATUS display

06pc121ta

L-9 AFCS AND PDIU FAULT DETECTION - CONTINUED

L-9.2 AFCS Status - Continued

L-9.2.3 NAV SUBSYSTEM STATUS Display.

MAINT					N	W		
NAV SUBSYSTEM STATUS								
BIT RECEIVED	--				NAV IF BIT			--
DRU CONNECT	--				GPS COMMO			--
DRU INERTIAL	--				GPS BIT			--
DRU BIT	--				GPS ANTENNA			--
I/O BRD SDLC BIT	--				VMS BIT			--
								CANCEL

-- = (OK, FAIL)

06pc124t

CANCEL = Return to the AFCS STATUS display

L-9.2.4 WPN SUBSYSTEM STATUS Display.

MAINT					N	W		
WPN SUBSYSTEM STATUS								
BIT RECEIVED	--				AZ VOLT			--
NVM R/W	--				AZ CURRENT			--
SERVO BRD BIT	--				EL VOLT			--
WPN BIT	--				EL CURRENT			--
TUBE TEMP BIT	--				AZ TACH			--
ADC BIT	--				EL TACH			--
BCWC TBL UPDATE	--							
								CANCEL

-- = (OK, FAIL)

CANCEL = Return to the AFCS STATUS display

06pc125ta

L-9 AFCS AND PDIU FAULT DETECTION - CONTINUED

L-9.2 AFCS Status - Continued

L-9.2.5 PCU SUBSYSTEM STATUS Display.

MAINT						N	W				
PCU SUBSYSTEM STATUS											
BIT RECEIVED --											
PCU BIT --											
											CANCEL

-- = (OK, FAIL)

CANCEL = Return to the AFCS STATUS display

06pc126t

L-9.2.6 1553 BUS STATUS Display.

1553 BUS STATUS											
BIT HARDWARE --											
1553 BOARD BIT --											
DCU TO PDIU CONNECT --											
DCU TO PDIU BUS --											
DCU TO MVS CONNECT --											
DCU TO MVS BUS --											
											CANCEL

-- = (OK, FAIL)

CANCEL = Return to the AFCS STATUS display

06pc127ta

L-9 AFCS AND PDIU FAULT DETECTION - CONTINUED

L-9.2 AFCS Status - Continued

L-9.2.7 PDIU SUBSYSTEM STATUS Display.

MAINT						N	W		
PDIU SUBSYSTEM STATUS									
BIT RECEIVED --									
PDIU BIT --									
DCU TO PDIU CONNECT --									
									CANCEL

-- = (OK, FAIL)

CANCEL = Return to the AFCS STATUS display

06pc128t

L-9.2.8 MVS SUBSYSTEM STATUS Display.

MAINT						N	W		
MVS SUBSYSTEM STATUS									
BIT RECEIVED --									
MVS BIT --									
DCU TO MVS CONNECT --									
									CANCEL

-- = (OK, FAIL)

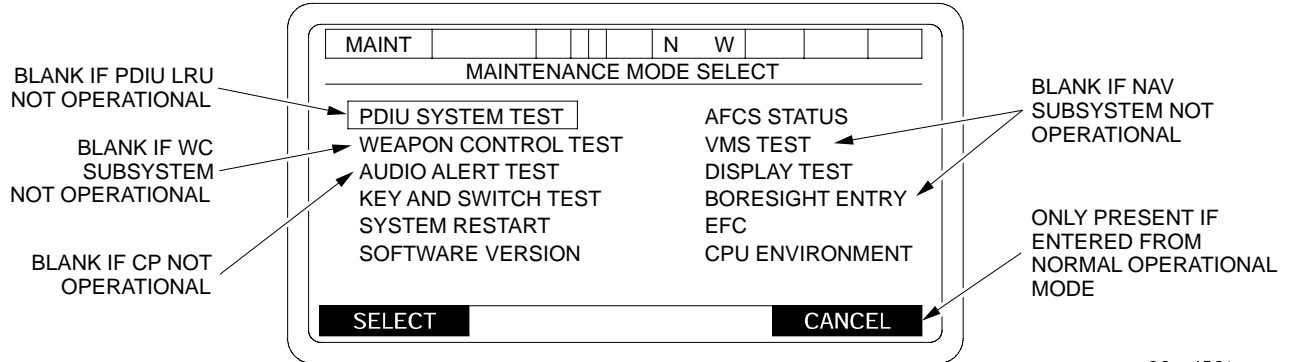
CANCEL = Return to the AFCS STATUS display

06pc129t

L-9 AFCS AND PDIU FAULT DETECTION - CONTINUED

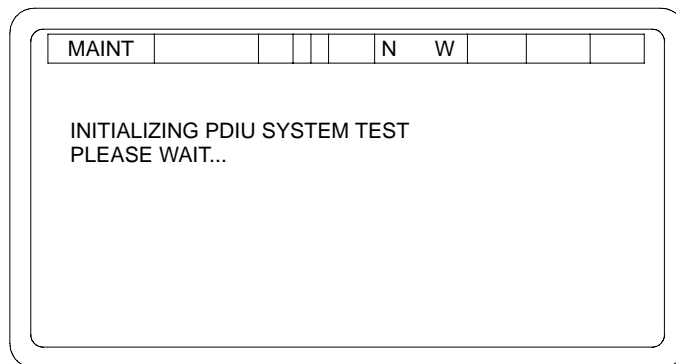
L-9.3 PDIU System Test.

To start the PDIU SYSTEM TEST, move the cursor with the arrow keys until the PDIU SYSTEM TEST is boxed, as shown below.



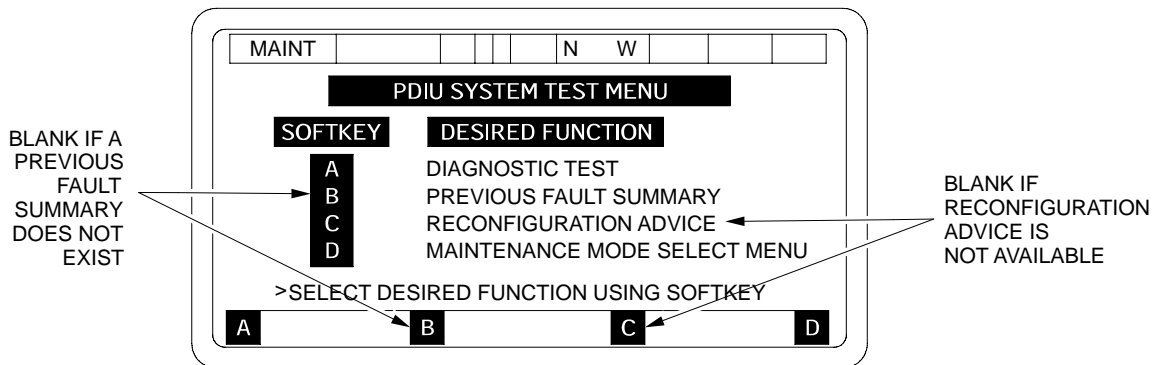
06pc130t

Press SELECT. The screen will display the prompt "ARE YOU SURE," YES OR NO. Press "YES". The screen will display the following message:



hipc4138

This message requires no action on your part. In 3 to 5 seconds, when the system is ready, it will be replaced with a menu display like the following:



hipc4139

This menu allows you to select whichever function you wish to perform.

L-9 AFCS AND PDIU FAULT DETECTION - CONTINUED

L-9.3 PDIU System Test - Continued

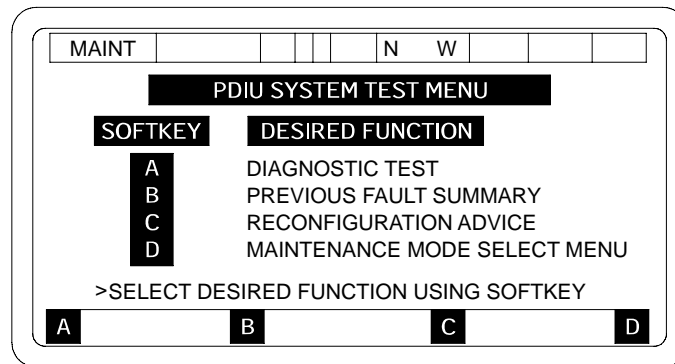
NOTE

The previous Fault Summary and Reconfiguration Advice functions are not always available. These options will not be displayed if their functions cannot be performed. (The different menu screens that can be seen because of this are shown at the end of the description.)

Each of the four functions will now be described separately.

DIAGNOSTIC TEST

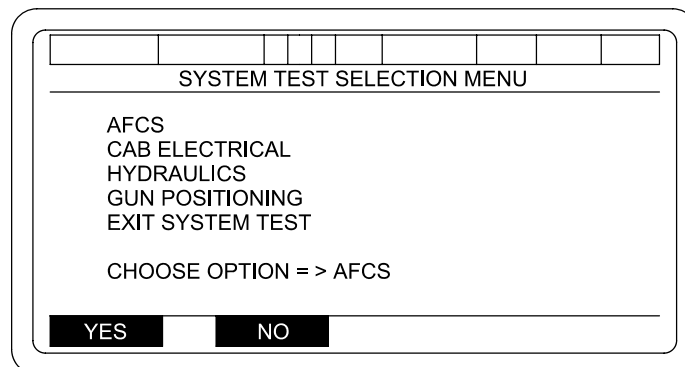
To perform DIAGNOSTIC TEST, press the "A" softkey.



hipc4140

The next screen allows you to select which part of the system you would like to test based upon the problem you are troubleshooting. The Gun Positioning System will not be available until the hydraulics segment has been successfully tested (the PDIU should not be reset). To test the entire system, all four segments should be tested in the order they appear on the screen. As each segment passes its test, the next segment should be selected from this screen without resetting the system. If any of the segmented tests fail, the fault should be corrected, the AFCS should be reset and the testing should begin again with the first test. Continuing testing without resetting the system can result in false failures.

To perform any of the segment tests select "YES" when that segment appears behind "CHOOSE OPTION".

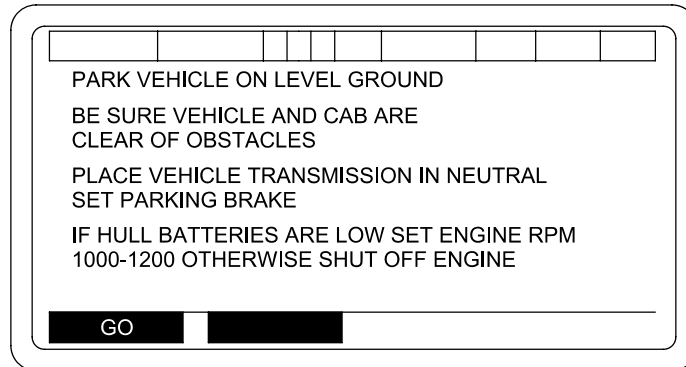


06pc377mb

L-9 AFCS AND PDIU FAULT DETECTION - CONTINUED

L-9.3 PDIU System Test - Continued

The following screen will be displayed.

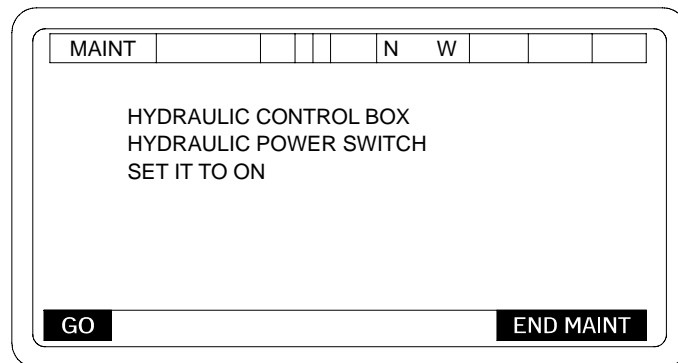


06pc378ma

When you have completed the required actions, press GO softkey and testing will continue.

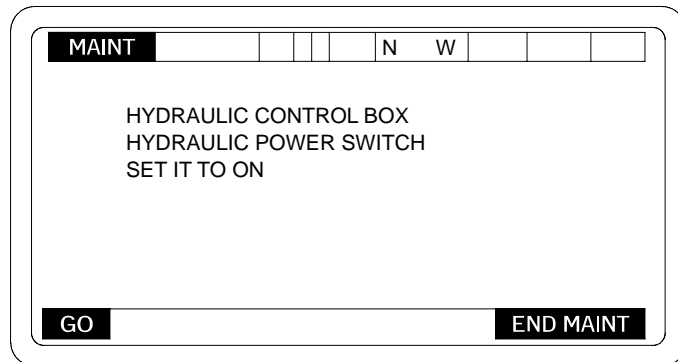
During the next few screens, you will be given the CANCEL softkey option. CANCEL is there in case you selected the DIAGNOSTIC TEST function (from the menu) by mistake or in case you changed your mind. When you press CANCEL, the system will display the PDIU SYSTEM TEST MENU again.

Throughout diagnostic testing, you will be given instructions. When you press GO, you are telling the system that you have done the task it asked for. It is important that you complete the task before pressing GO because many of the decisions that the system makes are based on the actions that you made. A typical instruction is shown below:



06pc411m

When you are instructed to perform an action such as the screen below, the PDIU measures the voltage of the switch.

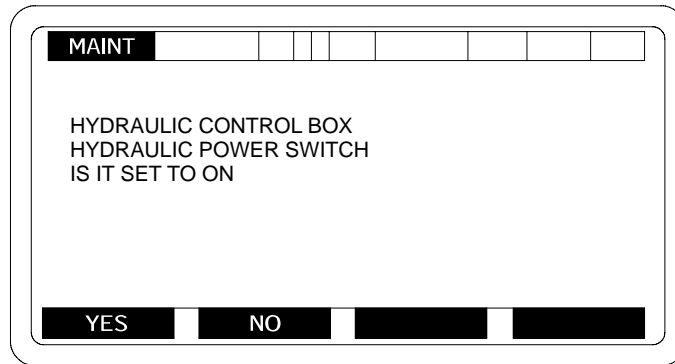


06pc408m

L-9 AFCS AND PDIU FAULT DETECTION - CONTINUED

L-9.3 PDIU System Test - Continued

If the result is not correct, then you are asked if you performed the action correctly, as shown in the screen below.

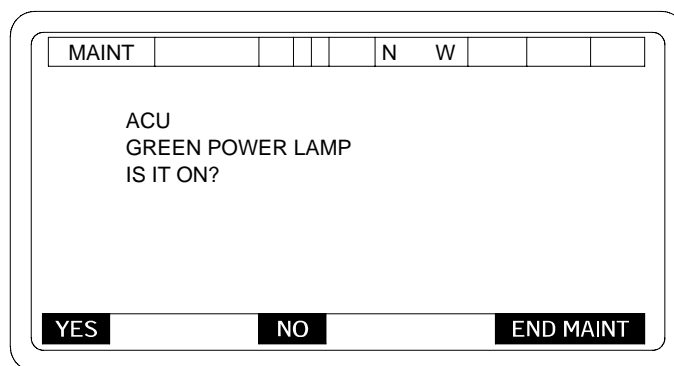


06pc409m

If you answer "YES", a fault will be detected by the PDIU. If you answer "NO", you will be given another chance to perform the action correctly. Then, if the action is not performed correctly, a fault will be detected by the PDIU.

Most of the displays in the main section of the DIAGNOSTIC TEST will include an END MAINT softkey at the bottom of the display. When this is present, you have the option of stopping the test at that point. If you press END MAINT, testing will immediately stop and you will see the Fault Summary display with all of the test results up to where you stopped. This feature is provided to allow you to return to normal operations with a minimum of delay if necessary. REMEMBER - When you press END MAINT, the system can only report the results of the test up to where you stopped. There may be further faults not detected.

During diagnostic testing, you will also be asked to answer questions. A typical question is shown below:



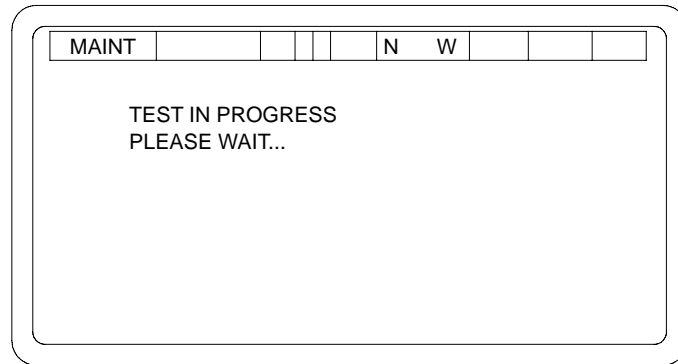
06pc407m

Questions will always be asked so that a YES or NO answer is possible by pressing the YES or NO soft keys. The system is using your ability to see, feel and hear to get the information it needs. It uses your answers to make decisions about functions that cannot be measured directly by the PDIU.

L-9 AFCS AND PDIU FAULT DETECTION - CONTINUED

L-9.3 PDIU System Test - Continued

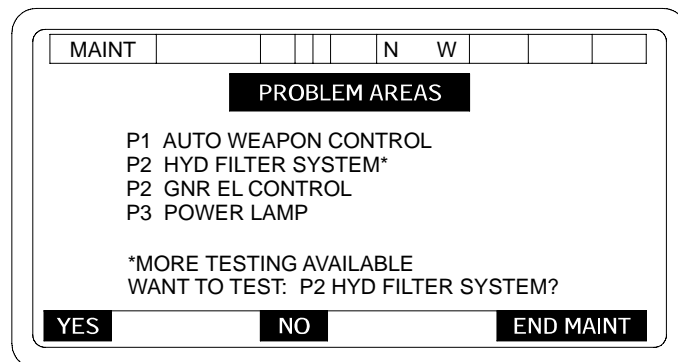
Several times during diagnostic testing, you will see messages that start with the words "TEST IN PROGRESS" like the following screen:



hipc4144

These screens have no labels for the softkeys at the bottom of the screen and require no response. They are intended to let you know that the system has recognized your last response and is busy with a long test operation. When it is ready to continue, the display will automatically change to a question or instruction message

Most faults will be isolated as far as possible by the PDIU during the normal sequence of DIAGNOSTIC TEST. Usually, the test sequence will run to completion and display the Fault Summary screen. However, some faults can be isolated further. This requires extra testing which can involve disconnecting cables and opening the hydraulic compartment. When one of these faults is detected, the system will remember it until it has finished all of the fault detection tests. It will then display a special menu screen like the following:



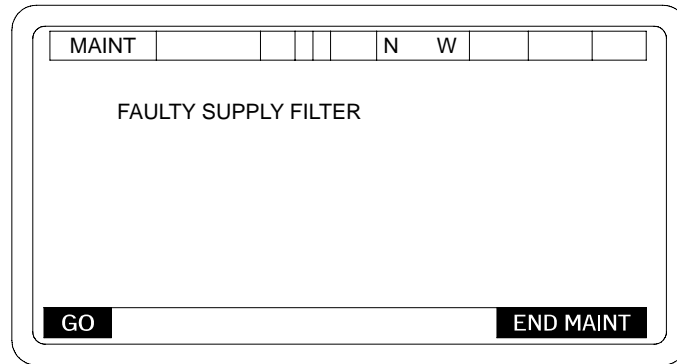
hipc4146

Each of the problem areas that requires extra testing will be displayed with an asterisk (*). The question line at the bottom will have the same name of the first extra test problem area. You can choose to continue testing this problem area by pressing YES. If you press NO, the name of the next extra test problem area will appear. As long as you continue to press NO, the names of the * problem areas will appear in the question, one at a time. If you decide not to do any of the extra testing, press END MAINT and the system will immediately display the Fault Summary.

L-9 AFCS AND PDIU FAULT DETECTION - CONTINUED

L-9.3 PDIU System Test - Continued

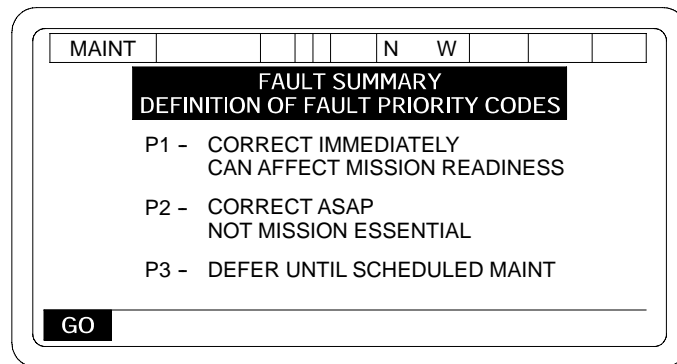
If you press the YES softkey for one of the problem areas, testing will continue with instructions and questions until the fault has been isolated as far as possible by the PDIU. When the extra testing is complete, you will see a screen like the following:



hipc4147

This screen may show one faulty LRU or a short list of possible faulty LRUs that must be isolated further by manual troubleshooting procedures. It tells you that the PDIU has done all of the testing it can. When you press GO, the Fault Summary screens will begin.

The first screen of the Fault Summary sequence will be definition of the Fault Priority Codes assigned to each fault message.



hipc4148

- P1 - These faults require immediate attention. You have lost or may soon lose a major system function that may affect your mission capabilities.
- P2 - These faults do not immediately affect your mission readiness but should be corrected as soon as possible.
- P3 - These faults can be deferred until a scheduled maintenance period.

L-9 AFCS AND PDIU FAULT DETECTION - CONTINUED

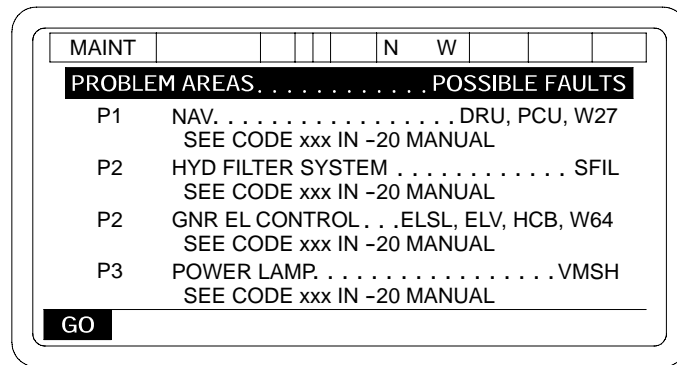
L-9.3 PDIU System Test - Continued

The fault definition screen is followed by a Fault Summary list like the one shown on the next screen.

NOTE

All of the information in the Fault Summary screens should be reported to Unit Maintenance. It is a good idea to copy the list of problems and possible faults before pressing GO. If you forget or don't have time to copy all the information now, it can be redisplayed by selecting the Previous Fault Summary option in the PDIU SYSTEM TEST MENU screen the next time it is displayed, even if power has been removed.

Press the GO softkey to continue.



hipc4149

The Fault Summary screens are a list of all of the problems found during screen DIAGNOSTIC TEST. When no problems have been detected, this will simply say "NO FAULTS FOUND" and the Definition of Fault Priority Codes screen will not be shown. However, when problems have been detected, a list like the one above will appear.

When the Fault Summary displays problem areas, it also displays a list of possible faulty LRUs for each problem area and a -20 manual code number. When only one LRU is listed for a problem area, DIAGNOSTIC TEST has determined that the LRU is definitely faulty and must be replaced. When more than one LRU (separated by commas) is listed as a possible fault for a problem area, further isolation by Unit Maintenance is required to determine which one of the LRUs listed is faulty.

The code number (xxx) listed in the "SEE CODE XXX IN -20 MANUAL" message is a reference to an index in the -20 manual which lists the page where the correct manual troubleshooting procedure can be found.

L-9 AFCS AND PDIU FAULT DETECTION - CONTINUED

L-9.3 PDIU System Test - Continued

The Fault Summary list can take up to three screens. When you have finished viewing or copying the information on each Fault Summary screen, press GO to continue. If more faults were detected, the next Fault Summary screen will be displayed. Some faults may not appear due to limited space on the screens. After corrective actions have been accomplished, the test should be re-run to ensure no additional faults are detected. If Reconfiguration Advice is available for the detected faults, you will be asked the following question:

The screenshot shows a terminal window with a header bar containing 'MAINT' and 'N W'. The main text asks 'DO YOU WANT TO SEE RECONFIGURATION ADVICE?'. At the bottom, there are two buttons: 'YES' and 'NO'.

hpc4150

This screen offers you the chance to get further information on what backup modes of operation are available for subsystems that are not operational. If you press YES, a screen like the following will appear:

The screenshot shows a terminal window with a header bar containing 'MAINT' and 'N W'. The main text provides instructions: 'NAVIGATION SUBSYSTEM IS OUT NOTIFY UNIT MAINT', 'NAVIGATE ON YOUR OWN VERIFY POSITION', 'USE ALTERNATE METHOD OF LAY', 'ENTER BASE AZ USING SECTOR OF FIRE MENU', 'ENTER POSN DATA USING MANUAL MOVE ORDER', and 'PRESS ARRIVED SOFTKEY'. At the bottom, there is a 'GO' button.

hpc4151

L-9 AFCS AND PDIU FAULT DETECTION - CONTINUED

L-9.3 PDIU System Test - Continued

Reconfiguration Advice may take more than one screen depending on which (and how many) subsystems are not operational. After you have read each screen, press the GO softkey to continue.

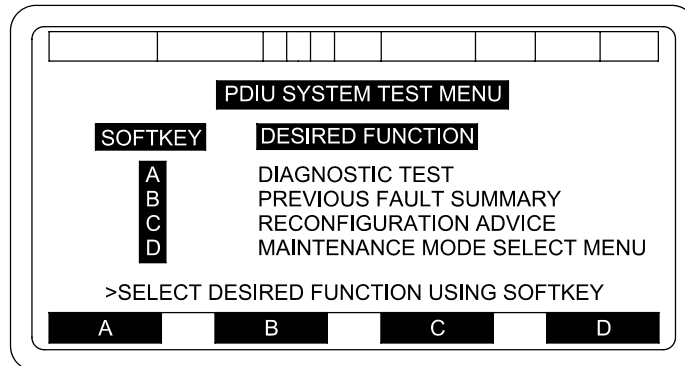
After all Reconfiguration Advice messages have been read, you will be given two screens of instructions that will return the vehicle to a given state. At this point, testing is complete. When you press the final GO, the screen will display the PDIU SYSTEM TEST MENU again.

General Notes About DIAGNOSTIC TEST

The sequence of messages and displays that you see during DIAGNOSTIC TEST will vary depending on the number of faults present in the vehicle. The system will choose its own path through the tests and guide you with instructions. Don't be concerned if you see messages and questions you haven't seen before. The system is simply troubleshooting a fault you haven't had before.

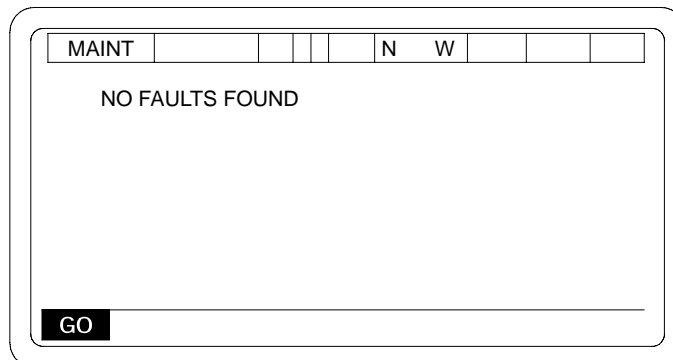
PREVIOUS FAULT SUMMARY

To view the PREVIOUS FAULT SUMMARY, press the B softkey.



06pc527mc

The PREVIOUS FAULT SUMMARY is a list of all the problems found during the last DIAGNOSTIC TEST performed. If no problems were detected, the following message will be displayed:

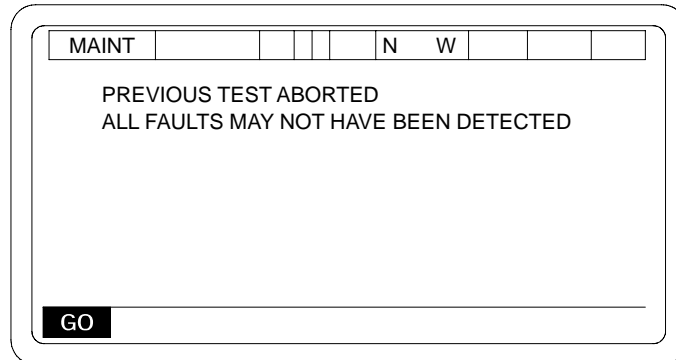


hipc4152

L-9 AFCS AND PDIU FAULT DETECTION - CONTINUED

L-9.3 PDIU System Test - Continued

If the last DIAGNOSTIC TEST was aborted before completion, you will also see the following message:

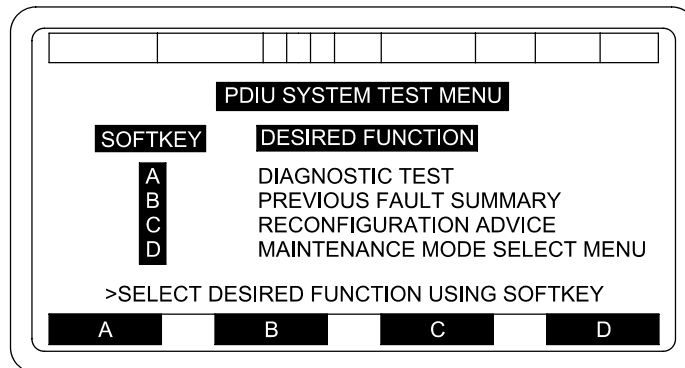


hipc4153

When all screens in the Previous Fault Summary display sequence have been viewed, the PDIU SYSTEM TEST MENU will automatically be displayed again.

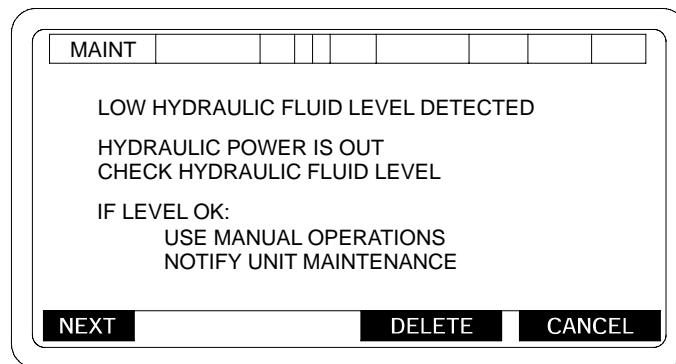
RECONFIGURATION ADVICE

To view Background Monitoring Mode RECONFIGURATION ADVICE, press the C softkey.



06pc527mc

A screen like the following will be displayed:



hipc4154

L-9 AFCS AND PDIU FAULT DETECTION - CONTINUED

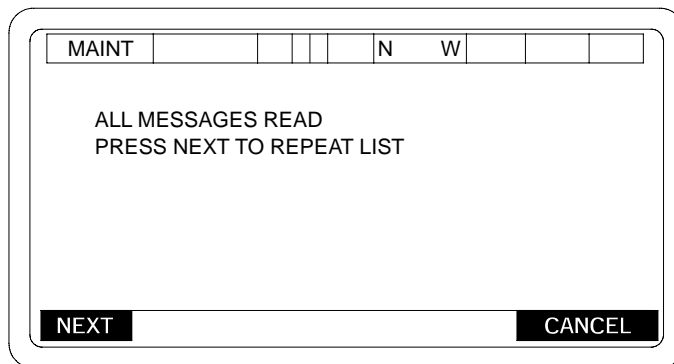
L-9.3 PDIU System Test - Continued

RECONFIGURATION ADVICE offers you the opportunity to get more information on what Backup Modes of Operation are available for subsystems that are not operational. This information is displayed for each warning message sent to the DCU during Normal Operations. RECONFIGURATION ADVICE can take several screens to display as each warning message/advisory information is displayed on a separate screen. You can cycle through and delete the messages as desired.

If you press NEXT, the next warning message and its advisory information will be displayed. If you press DELETE, the warning message and its advisory information displayed will be deleted and the next warning message will appear.

Throughout RECONFIGURATION ADVICE, the CANCEL softkey is available to you. If you press CANCEL, you will exit from RECONFIGURATION ADVICE and the PDIU SYSTEM TEST MENU will be displayed again.

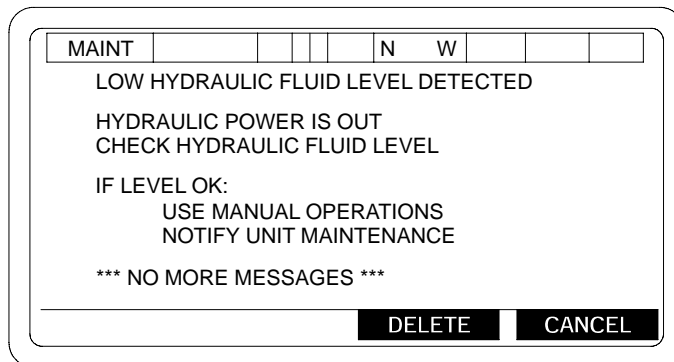
After all messages have been viewed, the following display will appear:



hipc4155

You can press NEXT to cycle through all the messages which were not deleted. Or press CANCEL to exit.

When the last message is displayed and there are no more messages to view, a display like the following will appear:



hipc4156

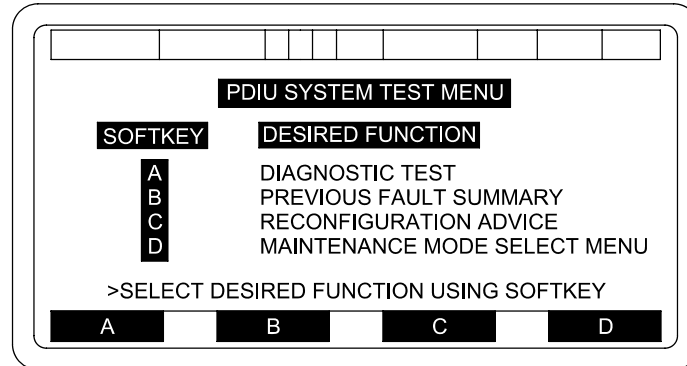
If you press DELETE, the warning message and its advisory information will be deleted and the PDIU SYSTEM TEST MENU will be displayed again.

L-9 AFCS AND PDIU FAULT DETECTION - CONTINUED

L-9.3 PDIU System Test - Continued

MAINTENANCE MODE SELECT MENU

To exit from PDIU SYSTEM TEST, press the D softkey.



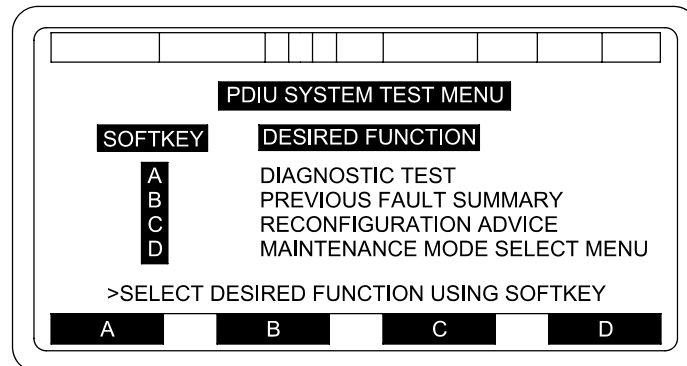
06pc527mc

Pressing D will terminate PDIU SYSTEM TEST and the MAINTENANCE MODE SELECT menu screen will appear. The PDIU will automatically enter into its Background Monitoring Mode.

PDIU SYSTEM TEST MENU VARIATIONS

The following screens show all of the different menus that can be displayed when entering the PDIU SYSTEM TEST. As mentioned above, all options are not always available. An option will not be displayed if its function cannot be performed.

In the following screen, all options are available to the user.

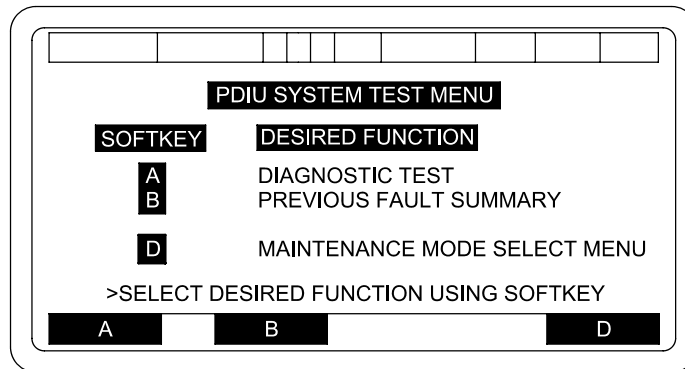


06pc527mc

L-9 AFCS AND PDIU FAULT DETECTION - CONTINUED

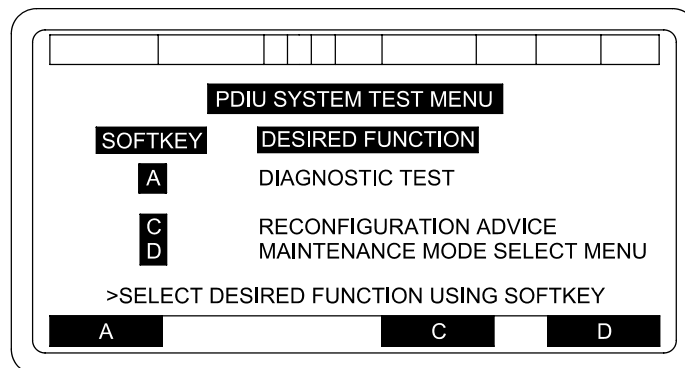
L-9.3 PDIU System Test - Continued

The RECONFIGURATION ADVICE option is missing from the following menu screen. RECONFIGURATION ADVICE will only be available for warning messages sent to the DCU during Normal Operations and for certain faults detected by the AFCS.



06pc542mc

The PREVIOUS FAULT SUMMARY option is missing from the following menu screen. A PREVIOUS FAULT SUMMARY will only be available if the last DIAGNOSTIC TEST performed was aborted while in progress and faults had been detected or if the last DIAGNOSTIC TEST was completed.

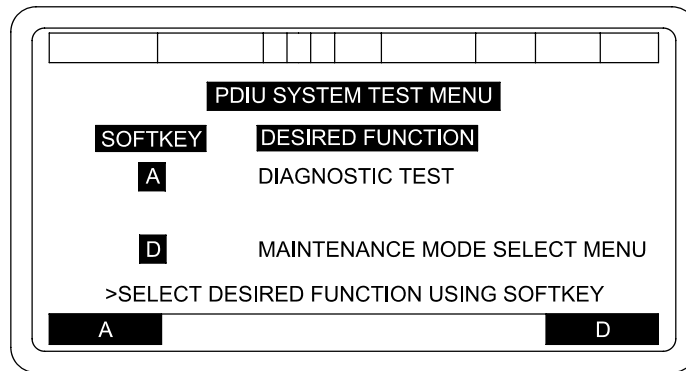


06pc543mc

L-9 AFCS AND PDIU FAULT DETECTION - CONTINUED

L-9.3 PDIU System Test - Continued

Both the PREVIOUS FAULT SUMMARY and RECONFIGURATION ADVICE options are missing from the following menu screen. Neither of these options can be performed. DIAGNOSTIC TEST and MAINTENANCE MODE SELECT MENU options will always be available.



06pc546mc

DIAGNOSTIC TEST is the way you perform all diagnostic testing.

MAINTENANCE MODE SELECT MENU is the way you end PDIU system testing and return to AFCS operations.

L-9 AFCS AND PDIU FAULT DETECTION - CONTINUED

L-9.4 Weapon Control Test.

This test checks the elevation and azimuth tachometers which control the speed of the gun tube and cab movement during automatic positioning; LOAD, LAY and STOW.

This test SHOULD NOT be performed in accordance with the standard vehicle setup condition. Vehicle setup conditions for THIS test are:

- a. Park vehicle with transmission in neutral, engine running.
- b. Set parking brakes.
- c. Remove gun tube from travel lock and place travel lock in lower/unlock position.
- d. Unlock cab traverse lock.
- e. Set DCU POWER switch to ON.
- f. Place hydraulic control box POWER switch to ON.
- g. Set GUN SERVO switch to ON.

This test will be used when directed by troubleshooting procedures, or when the tachometers appear to malfunction.

If test results indicate tachometer malfunctions, notify unit maintenance personnel for corrective actions.

Elevating gun tube will cause numbers to appear/change (as CHIEF OF SECTION control handles are elevated) in EL TACH box. If numbers do not change/move, your TACH is not working.

Select WEAPON CONTROL TEST from MAINTENANCE MODE SELECT menu.

The first menu to be displayed will be the WEAPON CONTROL INSTRUCTIONS menu and may contain two pages of instructions. The second display will be the WEAPON CONTROL TEST BEGIN menu followed by several WEAPON CONTROL TEST menus.

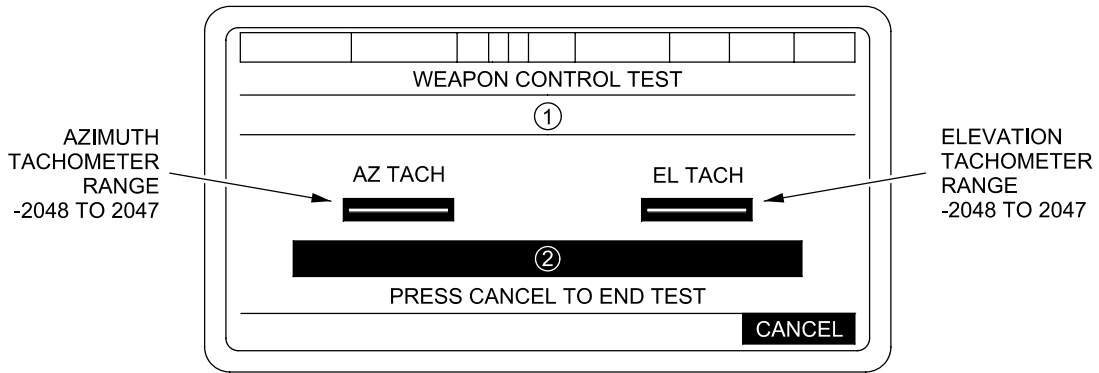
MAINT									
WEAPON CONTROL TEST									
<p>THIS TEST DETECTS TUBE MOVEMENT AND REPORTS STATUS BACK TO THE OPERATOR. IF MOVEMENT IS DETECTED IN THE PROPER DIRECTION, THE TEST WILL PASS. THE TEST WILL FAIL IF MOVEMENT IS NOT DETECTED. IF MOVEMENT IS DETECTED IN THE WRONG DIRECTION (TUBE ELEVATED DURING DEPRESS TUBE TEST), THE TEST WILL NOT FAIL BUT THE OPERATOR WILL BE NOTIFIED AND GIVEN</p>									
CONTINUE					CANCEL				

MAINT									
WEAPON CONTROL TEST									
<p>THE OPTION TO REDO THE TEST OR CONTINUE TESTING. THE TEST MUST BE STARTED WITHIN 30 SECONDS OF PRESSING THE CONTINUE KEY. CONTINUE MOVING THE TUBE UNTIL THE TEST STATUS IS DISPLAYED.</p>									
PRESS CONTINUE TO BEGIN TESTING									
CONTINUE					CANCEL				

06pc131t

L-9 AFCS AND PDIU FAULT DETECTION - CONTINUED

L-9.4 Weapon Control Test - Continued



06pc132ta

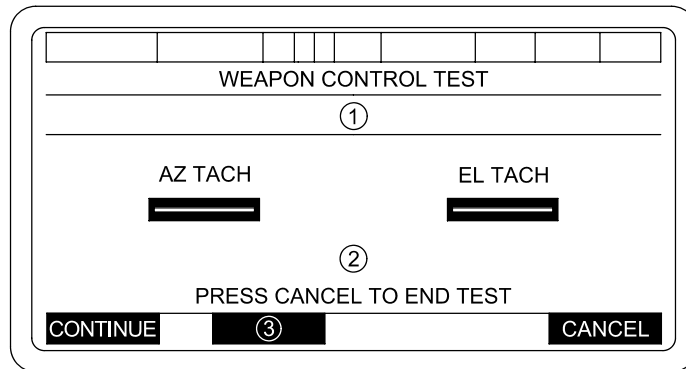
For Messages displayed in Fields ① and ② during the WEAPON CONTROL TEST see Table L-3.

CONTINUED: Go to next text phase

③ REDO: Rerun the current test phase

CANCEL: End the test

Elevating gun tube will cause numbers to appear/change (as CHIEF OF SECTION control handles are elevated) in EL TACH box. If numbers do not change/move, your TACH is not working.

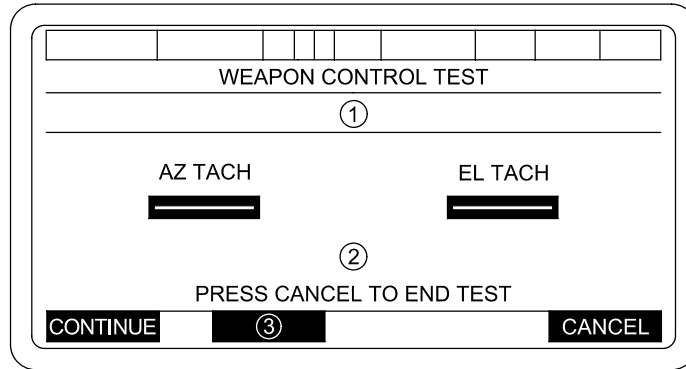


06pc547ma

L-9 AFCS AND PDIU FAULT DETECTION - CONTINUED

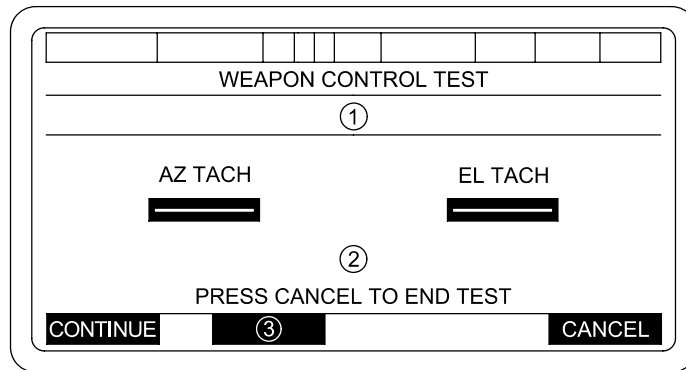
L-9.4 Weapon Control Test - Continued

Depressing gun tube will cause numbers to appear/change (as CHIEF OF SECTION control handles are depressed) in EL TACH box. If numbers do not change/move, your TACH is not working.



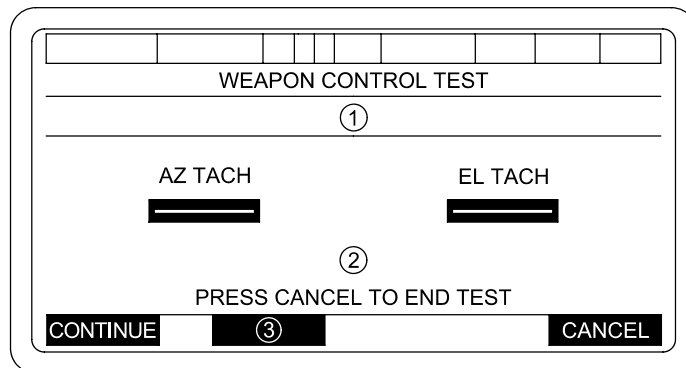
06pc547ma

Traversing gun tube to right will cause numbers to appear/change (as CHIEF OF SECTION control handles are rotated to right) in AZ TACH box. If numbers do not change/move, your TACH is not working.



06pc547ma

Traversing gun tube to left will cause numbers to appear/change (as CHIEF OF SECTION control handles are rotated to left) in AZ TACH box. If numbers do not change/move, your TACH is not working.



06pc547ma

L-9 AFCS AND PDIU FAULT DETECTION - CONTINUED**L-9.4 Weapon Control Test - Continued**

The following table describes the messages to be displayed in Fields 1 and 2 during the Weapon Control Test.

Table L-3 Weapon Control Test Messages

TEST PHASE	1	2	3
1	"ELEVATE TUBE TEST"	"ERROR IN TUBE MOVEMENT SELECT CONTINUE, REDO, OR CANCEL"	"REDO"
1	"ELEVATE TUBE TEST"	"TEST FAILED - PRESS REDO TO RE-RUN OR CONTINUE FOR NEXT TEST PHASE"	"REDO"
1	"ELEVATE TUBE TEST"	"TEST PASSED PRESS CONTINUE FOR NEXT TEST PHASE"	BLANK
2	"DEPRESS TUBE TEST"	"ERROR IN TUBE MOVEMENT SELECT CONTINUE, REDO, OR CANCEL"	"REDO"
2	"DEPRESS TUBE TEST"	"TEST FAILED - PRESS REDO TO RE-RUN OR CONTINUE FOR NEXT TEST PHASE"	"REDO"
2	"DEPRESS TUBE TEST"	"TEST PASSED - PRESS CONTINUE FOR NEXT TEST PHASE"	BLANK
3	"TRAVERSE TUBE LEFT TEST"	"TEST PASSED PRESS CONTINUE FOR NEXT TEST PHASE"	BLANK
3	"TRAVERSE TUBE LEFT TEST"	"ERROR IN TUBE MOVEMENT SELECT CONTINUE, REDO, OR CANCEL"	"REDO"
3	"TRAVERSE TUBE LEFT TEST"	"TEST FAILED - PRESS REDO TO RE-RUN OR CONTINUE FOR NEXT TEST PHASE"	"REDO"
4	"TRAVERSE TUBE RIGHT TEST"	"ERROR IN TUBE MOVEMENT SELECT CONTINUE, REDO, OR CANCEL"	"REDO"
4	"TRAVERSE TUBE RIGHT TEST"	"TEST FAILED - PRESS REDO TO RE-RUN OR CONTINUE TO REPEAT TEST"	"REDO"
4	"TRAVERSE TUBE RIGHT TEST"	"TEST PASSED PRESS CONTINUE TO REPEAT TEST"	BLANK
1, 2, 3, or 4		"TUBE MOVEMENT DETECTED WAS IN ERROR"	"SELECT PASS, FAIL, OR REDO"

L-9 AFCS AND PDIU FAULT DETECTION - CONTINUED

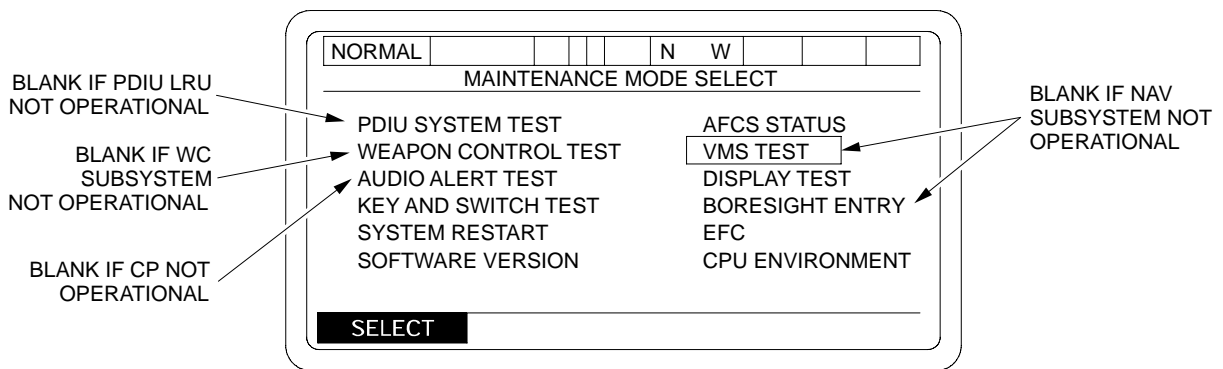
L-9.5 Vehicle Motion Sensor Test.

This test is designed to check Vehicle Positioning System. The VMS provides signals to the AFCS that aid in the location and positioning of vehicle (coordinates).

This test SHOULD be performed under standard vehicle setup conditions (para L-9.3). This test is used whenever directed by troubleshooting procedures, or when NAV DEGRADED is displayed on the DU and you get ZUPT requests after about 4 minutes of travel.

If test results indicate that VMS is not properly functioning, notify unit maintenance personnel for corrective action.

- a. Select VMS TEST from MAINTENANCE MODE SELECT menu.



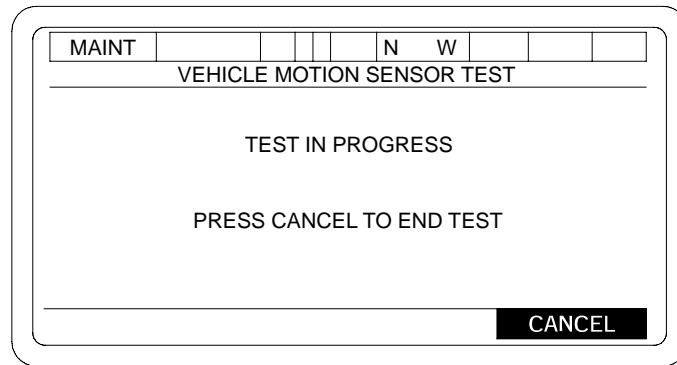
06pc134t

L-9 AFCS AND PDIU FAULT DETECTION - CONTINUED

L-9.5 Vehicle Motion Sensor Test - Continued

This test is run automatically.

- b. Depressing soft key under CANCEL will end test and take you back to MAINTENANCE MODE SELECT menu.



hipc4167

If test results indicate a fault, determine if this degraded mode is acceptable. If not, notify unit maintenance.

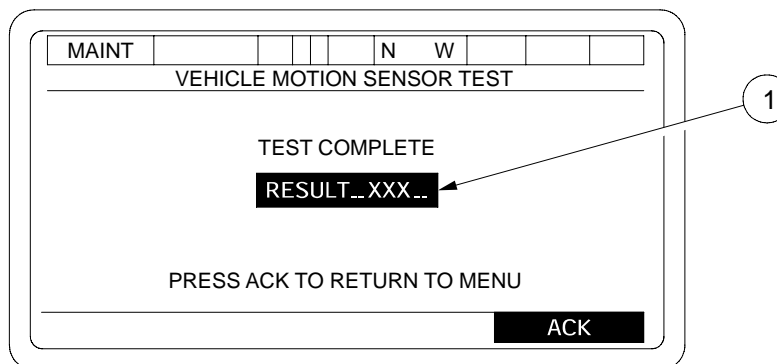
Test results can show any of the following:

RESULT -- VMS GOOD

RESULT -- VMS BAD

RESULT -- CAB SIDE VMS MODEM BAD

RESULT -- CHASSIS SIDE VMS MODEM BAD



hipc4168

- 1 VMS GOOD
- OR
- CHASSIS SIDE VMS MODEM BAD
- OR
- CAB SIDE VMS MODEM BAD
- OR
- VMS BAD

- c. When test is ended, depress soft key under ACK. This will take you back to MAINTENANCE MODE SELECT menu.

L-9 AFCS AND PDIU FAULT DETECTION - CONTINUED

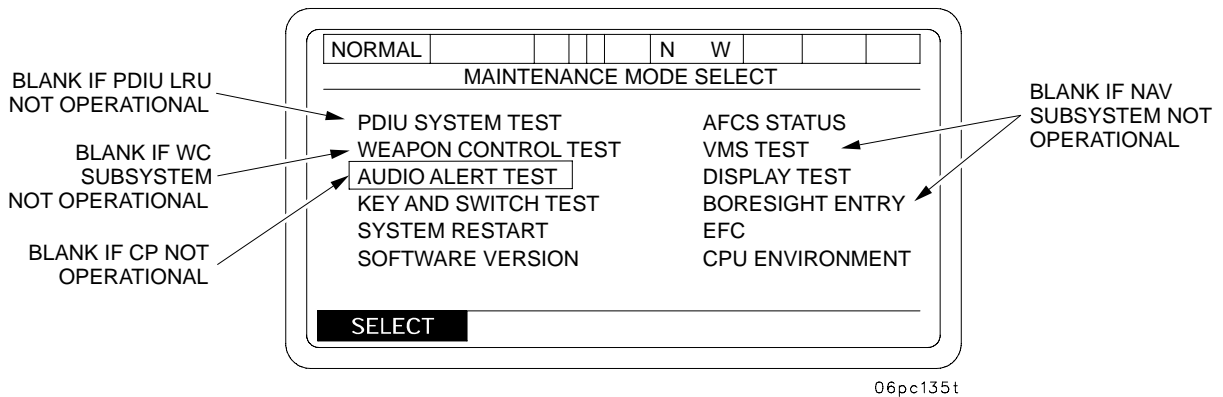
L-9.6 Audio Alert Test.

This test checks the AFCS communications system fire mission alert notification. During this test, all crewmember's intercom control boxes should emit a repeating tone for 5 seconds. Checks of CVC helmets and intercoms should be performed.

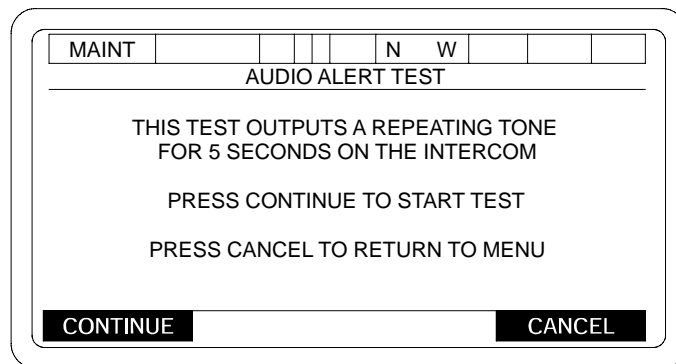
This test should be performed under the standard vehicle setup conditions.

This test is used when directed by troubleshooting procedures, or if testing intercom/CVC is desirable.

- a. Select AUDIO ALERT TEST from MAINTENANCE MODE SELECT menu. Press SELECT KEY. AUDIO ALERT TEST is displayed.



- b. Depressing soft key under CANCEL will take you back to MAINTENANCE MODE SELECT menu.
- c. Depressing soft key under CONTINUE will start your AUDIO ALERT TEST.
- d. When your AUDIO ALERT TEST is completed, you may depress soft key under CONTINUE to repeat test.
- e. When test is completed, depress soft key under CANCEL to return to MAINTENANCE MODE SELECT menu.
- f. If there is fault with your intercom/AFCS, notify unit maintenance.



L-9 AFCS AND PDIU FAULT DETECTION - CONTINUED

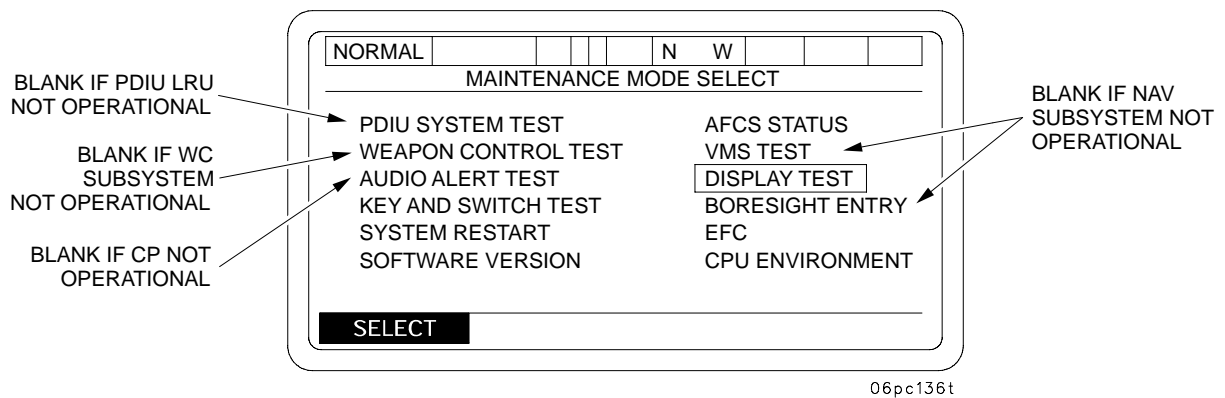
L-9.7 Display Test.

This test checks the uniform color contrast in the screen on the display unit. Information appearing on the screen may become too light to read.

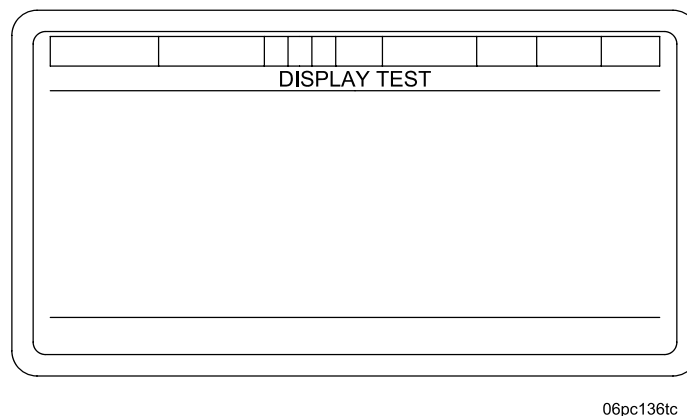
This test should be performed under standard vehicle setup condition (para L-9.3).

This test will be used when directed by troubleshooting procedures, or if testing of DCU screen is desirable.

- a. Select DISPLAY TEST from MAINTENANCE MODE SELECT menu. Press SELECT key.



- b. Your display (EL PANEL) will become highlighted for 2 seconds. After 2 seconds, your EL PANEL will return to normal. You may reselect DISPLAY TEST if required.
- c. If there are some spots on your EL PANEL that did not light up, determine if this degraded mode is acceptable. If this is not acceptable, notify unit maintenance.



L-9 AFCS AND PDIU FAULT DETECTION - CONTINUED

L-9.8 Key and Switch Test.

NOTE

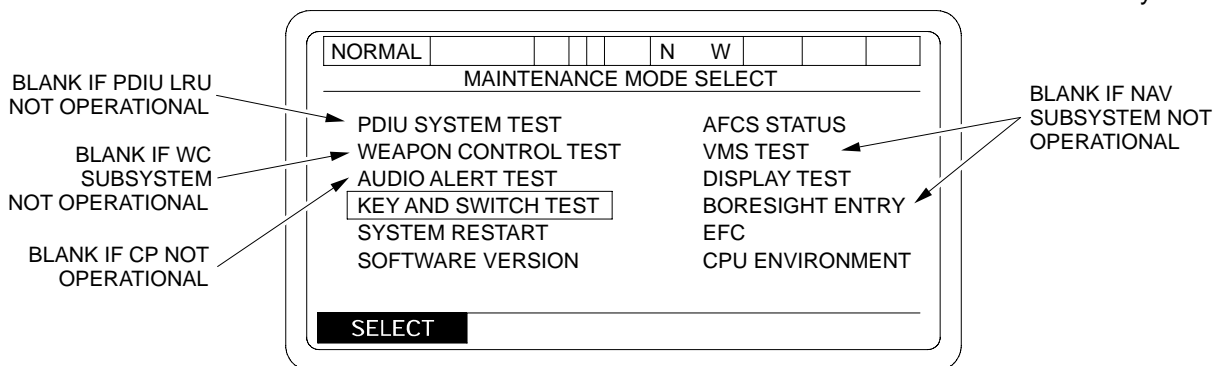
AFCS must be powered up at least 5 minutes prior to performing this test.

This test checks the response of each key and toggle switch on the display panel. The key marked T is for the embedded trainer switch and the key marked S is the GUN SERVO switch. Ensure that NOTES are observed when conducting this test.

This test should be performed under the standard vehicle setup condition (para L-9.3).

This test will be used, when directed by troubleshooting procedures, or if malfunctions of keypad and switches are apparent.

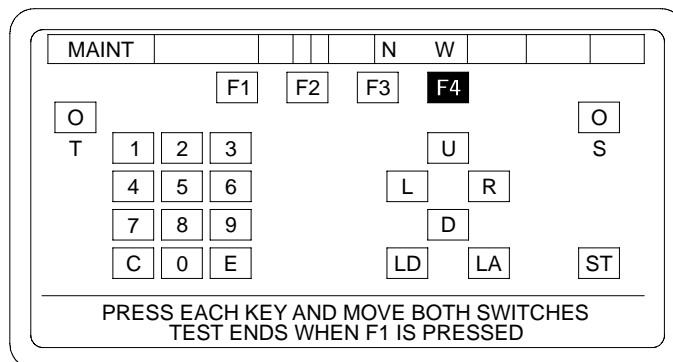
Select KEY AND SWITCH TEST from MAINTENANCE MODE SELECT menu. Press SELECT key.



06pc137t

NOTE

- Test ends when F1 (soft key) is depressed. Make sure you depress F1 soft key last while performing this test.
 - Do not place DU POWER switch to OFF during this test.
- a. Depress each key in turn (including arrow keys, soft keys, LOAD, LAY, and STOW keys) and place both switches shown to ON/OFF for testing. As each key is depressed, it will be highlighted.
 - b. As each switch/toggle is moved, it will move up or down on your EL PANEL.
 - c. If fault is indicated with your keypad, switches, soft keys, arrow keys, LOAD, LAY, or STOW keys, notify unit maintenance.



hipc4173

L-9 AFCS AND PDIU FAULT DETECTION - CONTINUED

L-9.9 Boresight Angle Entry.

This test is designed for use by unit maintenance personnel only. Operators must not use this selection.

WARNING

This selection will be used by unit maintenance personnel to input correction to NAV SUBSYSTEM boresight. Entry of improper data into boresight angle entry menu can cause gun to be laid incorrectly. This could result in injury or death to personnel down range.

NOTE

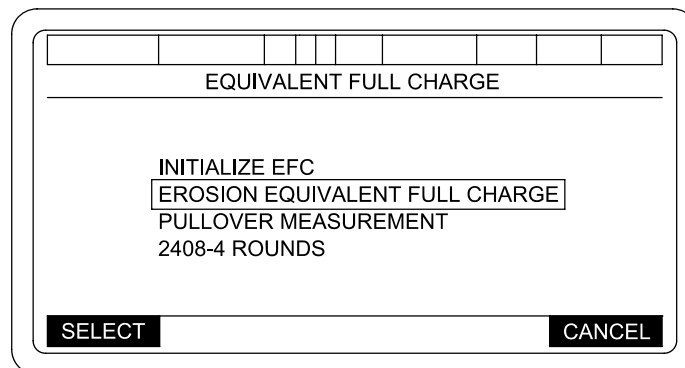
If you accidentally enter this mode, you must exit immediately by pressing the CANCEL key.

L-9.10 Equivalent Full Charge (EFC).

EFC data is maintained by the AFCS. It consists of a cumulative set which contains the total number of rounds fired by the gun using legal charge and the accumulated EFC based on the total number of rounds fired. The AFCS saves the data in the non-volatile memory during normal AFCS power down sequencing.

The calculation of EFC is done automatically for POC/FDC directed fire missions when the operator presses the soft key under the VERIFIED prompt on the VERIFY EXPENDED AMMO menu. However, should the operator not be able to VERIFY that the specified ammunition has been fired, or fire missions have been fired with data supply by voice radios, or direct fire missions have occurred, then the operator will be required to update the AFCS Ammunition Inventory and the EFC.

To update the EFC, access the SETUP AND INFORMATION menu, place the cursor on MAINTENANCE and press soft key under SELECT prompt. The MAINTENANCE MODE SELECT menu will appear. Place cursor on EFC and press soft key under SELECT prompt. The EQUIVALENT FULL CHARGE Menu will be displayed.



06pc281t

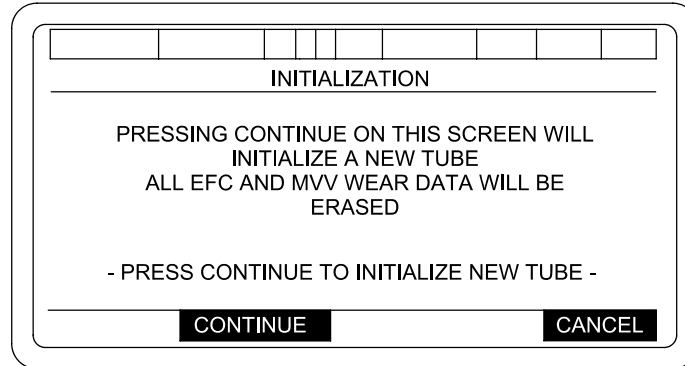
Each of the four functions will now be described separately.

L-9 AFCS AND PDIU FAULT DETECTION - CONTINUED

L-9.10 Equivalent Full Charge (EFC) - Continued

L-9.10.1 Initialize EFC.

This function is used to initialize EFC data in the event a new cannon tube is placed on the vehicle.



06pc281ta

If you press "CONTINUE", the AFCS shall display the operator prompt "ARE YOU SURE?" "YES" "NO".

If "YES" is pressed, the following actions occur automatically and the display will return to the EQUIVALENT FULL CHARGE menu:

Pullover Gauge Measurement is reset to 6.100 (This also causes EFC Erosion to reset to Zero)

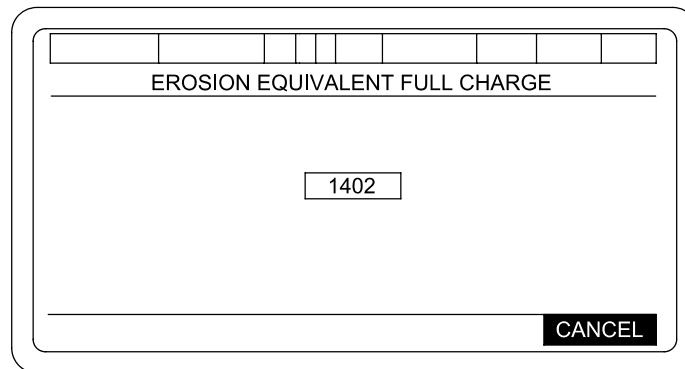
MVV Wear Database is reset to Zero

2408-4 Rounds Information is reset to Zero

If "NO" is pressed, the display will return to the EQUIVALENT FULL CHARGE menu.

L-9.10.2 Erosion Equivalent Full Charge.

This function is used to view the Current EFC Erosion Count of the weapon.



06pc282t

When the "CANCEL" soft key is pressed, the display shall return to the EQUIVALENT FULL CHARGE menu.

L-9 AFCS AND PDIU FAULT DETECTION - CONTINUED

L-9.10 Equivalent Full Charge (EFC) - Continued

L-9.10.3 Pullover Measurement.

This function is used to view the Current Pullover Gauge Measurement or input a new Pullover Gauge Measurement.

PULLOVER MEASUREMENT

6.101

ENTER A VALUE FROM 6.100 TO 6.205
-PRESS ENT KEY-

CANCEL

06pc282ta

The operator shall only be allowed to enter a Pullover Measurement of 6.100 to 6.205. If the operator enters a value less than 6.100 or greater than 6.205, the AFCS shall display the operator warning “VALUE TOO BIG” “ACK” or “VALUE TOO SMALL” “ACK”. When the “ACK” soft key is pressed, the display shall return to the previously stored value.

When the ENTER key is pressed, the AFCS shall display the operator prompt “ARE YOU SURE?” “YES” “NO”.

If “YES” is pressed, then the AFCS shall convert the Pullover Gauge Measurement into the equivalent EFC Erosion count and update the EFC Erosion count in the MVV Wear Database. The display will then return to the EQUIVALENT FULL CHARGE menu.

If “NO” is pressed, the screen will return to the previously stored values for reentry of data.

L-9.10.4 2408-4 Rounds.

This screen allows four separate and distinct functions:

The first allows update of Total Rounds (which shall not affect EFC Erosion) to match the Manual 2408-4. The second permits entry of rounds fired during a period in which the AFCS was inoperable. The third allows adjustment of rounds entered during Verification or “Other” missions not actually fired. The fourth function allows initialization of a new ACU. When coupled with Pullover Gauge, 2408-4 TOT RNDS PRIOR TO PULLOVER GAUGE, AND “+/- RNDS”, the last known EFC Erosion can be duplicated.

L-9 AFCS AND PDIU FAULT DETECTION - CONTINUED

L-9.10 Equivalent Full Charge (EFC) - Continued

L-9.10.4 2408-4 Rounds - Continued

NOTE

To maintain accuracy and consistency, the AFCS database must be restored exactly as it was at the time the AFCS became inoperable.

2408-4 ROUNDS			
TUBE TOT RNDS		0	
PROP/CHARGE	+/- RNDS	TOT RNDS	
M3A1	3G	0	0
M3A1	4G	0	0
M3A1	5G	0	0
M4A1	3W	0	0
M4A1	4W	0	0
MORE BELOW			
SELECT		CANCEL	

06pc283t

NOTE

Scrolling shall be enabled, with "MORE BELOW" and "MORE ABOVE" appearing as appropriate.

When +/- RNDS is highlighted and the "SELECT" soft key is pressed, the following will be displayed:

2408-4 ROUNDS			
TUBE TOT RNDS		2	
PROP/CHARGE	+/- RNDS	TOT RNDS	
M232	3H	2	
TYPE +/- RNDS FIRED			
BETWEEN -2 AND 99997			
+0			
-PRESS ENT KEY-			
+/-		CANCEL	

06pc283ta

L-9 AFCS AND PDIU FAULT DETECTION - CONTINUED

L-9.10 Equivalent Full Charge (EFC) - Continued

L-9.10.4 2408-4 Rounds - Continued

When TOT RNDS is highlighted and the “SELECT” soft key is pressed, the following will be displayed:

The screenshot shows a handheld device screen with the following content:

2408-4 ROUNDS		
TUBE TOT RNDS		0
PROP/CHARGE	+/- RNDS	TOT RNDS
M3A1	3G	0

Below the table, the screen displays:

TYPE TOTAL RNDS FIRED
 BETWEEN 0 AND 99999

 -PRESS ENT KEY-

A **CANCEL** button is located at the bottom right of the screen.

06pc284t

Input new value and press “ENTER” to accept value. when “ENTER” has been pressed, the display will return to the 2408-4 ROUNDS screen. An “UPDATE” soft key will display in the FKY-2 position. when “UPDATE” is pressed, the following actions occur:

- The TOT RNDS column is updated for the selected PROP/CHG
- TUBE TOT RNDS is updated
- Of +/- RNDS input, EFC Erosion is updated in the MVV Wear Database

L-9 AFCS AND PDIU FAULT DETECTION - CONTINUED**L-9.11 AFCS and PDIU Abbreviations.**

ABBREVIATION	NAME
ACU	AFCS COMPUTER UNIT
AFCS	AUTOMATIC FIRE CONTROL SYSTEM
AOF	AZIMUTH OF FIRE
AZ	AZIMUTH
AUXA	EXTERNAL BATTERY-A
AUXB	EXTERNAL BATTERY-B
AZ/EL TACHS	AZIMUTH AND ELEVATION TACHOMETERS
AZTACH	AZIMUTH TACHOMETER
BATT	BATTERY
BB2	BRUSH BLOCK #2
BB6	BRUSH BLOCK #6
BB7	BRUSH BLOCK #7
BCS	BATTERY COMPUTER SYSTEM
BC	BALLISTIC COMPUTATION
BIT	BUILT IN TEST
BPSL	BYPASS SOLENOID
BPV	BYPASS VALVE
CBLS	CABLES
CDP	CONDITION DIPOLE
CHKFIRE	CHECK FIRE
CFN	COOLING FAN
CLCS	CLUTCH SOLENOID
CLV	CLUTCH VALVE
COMMO	COMMUNICATION
COS	CHIEF OF SECTION
COSCH	CHIEF OF SECTION CONTROL HANDLE
COSCH VLF	CHIEF OF SECTION CONTROL HANDLE VELOCITY FUSE
CP	COMMUNICATIONS PROCESSING
CPCI	COMPUTER PROGRAM CONFIGURATION ITEM
CRSH	CURRENT SHUNT
CTRL	CONTROL
CTSW	COOLING TEMPERATURE SWITCH
DU	DISPLAY UNIT
DRU	DYNAMIC REFERENCE UNIT
EL	ELEVATION
ELHP	ELEVATION HANDPUMP
ELSL	ELEVATION SELECT SOLENOID
ELSV	ELEVATION SERVO VALVE

L-9 AFCS AND PDIU FAULT DETECTION - CONTINUED**L-9.11 AFCS and PDIU Abbreviations - Continued**

ABBREVIATION	NAME
ELTACH	ELEVATION TACHOMETER
ELTRUN	ELEVATION TRUNNION
ELV	ELEVATION SELECT VALVE
EQ	EQUILIBRATION
EQA	EQUILIBRATION ASSEMBLY
EQACC	EQUILIBRATION ACCUMULATOR
EQHP	EQUILIBRATOR HANDPUMP
EQMANIFOLD	EQUILIBRATION MANIFOLD
EQ CHARGE VALVE	EQUILIBRATOR CHARGE VALVE
FIL	FILTER
FILA	FILTER ASSEMBLY
FIREMSN	FIRE MISSION
FLOM	FLOWMETER
FLU	FLUID
FLUSN	FLUID LEVEL SENSOR
GCH	GUNNER'S CONTROL HANDLE
GNR	GUNNER
GPS	GLOBAL POSITIONING SYSTEM
HCB	HYDRAULIC CONTROL BOX
HPUMP	HANDPUMP
HYD	HYDRAULIC
HYM	HYDRAULIC PUMP ELECTRIC MOTOR
HYP	HYDRAULIC PUMP
HYPR	HYDRAULIC POWER RELAY
MO	MOVE ORDER
MSL	MODE SELECT SOLENOID
MSV	MODE SELECT VALVE
MVS	MUZZLE VELOCITY SENSOR
NAV	NAVIGATION
NA	NAV ASSIST
NRZ	NON-RETURN TO ZERO
OLSN	OVERLOAD SENSOR
PCU	POWER CONDITIONER UNIT
PDIU	PROGNOSTIC DIAGNOSTIC INTERFACE UNIT
PLGR	PRECISION LIGHTWEIGHT GPS RECEIVER
PRESS	PRESSURE
PWR	POWER

L-9 AFCS AND PDIU FAULT DETECTION - CONTINUED**L-9.11 AFCS and PDIU Abbreviations - Continued**

ABBREVIATION	NAME
PXDCR	PRESSURE TRANSDUCER
REFIL	RETURN FILTER
RR	RADIO RACK
SFIL	SUPPLY FILTER
SH	SHUNT
SL	SOLENOID
SN	SENSOR
SR	SLIP RING
SV	SERVO
SW	SWITCH
SYS	SYSTEM
TEMP	TEMPERATURE
TF XXI	TASK FORCE TWENTY-ONE
TRAV	TRAVERSE
TRAV GEAR	TRAVERSING GEAR
TRDM	TRAVERSE DRIVE MECHANISM
TRL SL	TRAVERSE LIMIT SOLENOID
TRL SW	TRAVERSE LIMIT SWITCH
TRL V	TRAVERSE LIMIT VALVE
TR SL	TRAVERSE SELECT SOLENOID
TR SV	TRAVERSE SERVO VALVE
TR V	TRAVERSE SELECT VALVE
TSN	TEMPERATURE SENSOR
TTCBL	TUBE TEMPERATURE SENSOR GFE CABLE
TTTSN	TUBE TEMPERATURE SENSOR
TXDCR	TEMPERATURE TRANSDUCER
VMS	VEHICLE MOTION SENSOR
VMSC	VEHICLE MOTION SENSOR MODEM-CAB
VMSH	VEHICLE MOTION SENSOR MODEM-HULL
VLF	VELOCITY FUSES
WC	WEAPONS CONTROLLER
WPN	WEAPON
WTSL	WARMUP TEMPERATURE SOLENOID
WTSW	WARMUP TEMPERATURE SWITCH
WTV	WARMUP TEMPERATURE VALVE

L-9 AFCS AND PDIU FAULT DETECTION - CONTINUED

L-9.12 Software Version/Configuration Display - Continued

NOTE

- When a LRU/CPCI other than the DCU is reported with an indirect configuration, then the system will run in a degraded mode and will declare the LRU/CPCI as unavailable.
- Initially, the ACQUIRED information of the display will give the boot loader, system software version and build data for each computer program configuration item that is acceptable to the system software configuration.
- If the CPCI is not acceptable, there will be an asterisk (*) to the left of the CPCI. If the asterisk is present, this will cause the system to operate in the DEGRADED mode unless the asterisk appears next to DCU, then the system will only operate in the Maintenance mode.
- To check which version of software is acceptable, press softkey under EXPECTED.
- If a CPCI is blank, the version of software loaded is acceptable with any system configuration.
- If uploading of software is required, notify Unit Maintenance.

L-9.13 CPU Environment Display.

This display allows the operator to view System related parameters as follows:

Inputs:

1. Operating System Version (O/S)
2. BIOS Information (Vendor & Version)
3. Elapsed Time Meter (in hours)

The tactical software receives the data listed above from the ACU and presents this information to the operator on the DU. This information is used by maintenance personnel.

The screenshot shows a rectangular display window with a title bar at the top containing the text "CPU ENVIRONMENT". Below the title bar, the display is divided into two columns. The left column lists the parameters: "OS VERSION", "BIOS VENDOR", "BIOS VERSION", and "ELAPSED TIME". The right column shows placeholder text: "XXXXXXXXXXXXXXXXXXXX", "XXXXXXXXXXXXXXXXXXXX", "XXXXXXXX", and "XXXXX HRS XX MINS". At the bottom right of the display window, there is a black button with the white text "CANCEL".

06pc428m

L-10 SYMPTOM INDEX.

NOTE

- Before you use this troubleshooting table, be sure you have performed all applicable operating checks in Chapter 2.
- For corrective actions of malfunctions not listed in this table, notify unit maintenance.
- Wherever the word lubricate appears, see Appendix I.

The following symptom index is to assist you in locating the correct troubleshooting procedure quickly.

	Troubleshooting Procedure Page
AFCS	
AFCS - Software Lockup	L-194
Cab does not traverse freely under AFCS control	L-194
Cab creeps under AFCS control	L-195
Gun tube does not move to LOAD position when LOAD is selected under AFCS control	L-196
Gun tube does not move to STOW position when STOW is selected under AFCS control	L-197
Gun tube does not move to LAY position when LAY is selected under AFCS control	L-198
DU does not power up	L-199
Training mode cannot be selected	L-199
AFCS is not able to receive a mission	L-199
No audible alert for COS or crew (DU power is ON)	L-200
EL Panel messages are garbled/hard to read	L-200
DU soft keys/arrow keys/keypad switches, LOAD, LAY, or STOW keys do not respond properly	L-200
NAV subsystem fault (degraded mode) is indicated	L-200
DU subsystem fault (degraded mode) is indicated	L-201
WPN subsystem fault (degraded mode) is indicated	L-201
PDIU subsystem fault (degraded mode) is indicated	L-201
PCU subsystem fault (degraded mode) is indicated	L-201
MVS subsystem fault (degraded mode) is indicated	L-202
AFCS position drifts/DRUH "OP FAIL" is indicated	L-203

Table L-4 TROUBLESHOOTING

MALFUNCTION**TEST OR INSPECTION****CORRECTIVE ACTION****AFCS****WARNING**

Before troubleshooting AFCS gun positioning faults, make sure immediate area around and in the howitzer is clear of nonessential personnel and that no other equipment is within the 360 degree radius of the cab. Before moving gun servo switch to the ON position, announce loudly to everyone in immediate area, "AFCS POWER ON." Serious injury or death, and/or equipment damage could result.

1. AFCS - SOFTWARE LOCKUP

Step 1. Place DU POWER switch OFF and wait at least 5 seconds.

Step 2. Place DU POWER switch ON and restart system. If lockup persists, notify unit maintenance.

2. CAB DOES NOT TRAVERSE FREELY UNDER AFCS CONTROL.

NOTE

Verify following: main drive gears and gun tube are unobstructed and main hydraulic pressure is at 1925 psi \pm 50 psi.

Step 1. Verify that GUN SERVO light illuminates when LAY button is pressed.

a. If not ON, place gun switch ON.

b. If switch is ON, go to step 2.

Step 2. Check to see if you are in NORMAL OPERATIONS mode.

a. Verify that TRAVERSE mode switch is in the POWER position. Check EL Panel for mode display. Status line will indicate mode.

If not, enter proper mode.

b. If in NORMAL OPERATIONS mode, check EL Panel fields.

(1) Verify that LOAD, LAY, or STOW fields are displayed on EL Panel of DU when GUN SERVO SWITCH is on.

(2) LOAD, LAY, or STOW fields (graphics) are highlighted when displayed.

Gun is already in proper position.

(3) LOAD, LAY, or STOW fields (graphics) are displayed in normal form.

Reselect proper functional key. If cab does not traverse freely, notify unit maintenance. Complete mission in DEGRADED mode.

(4) LOAD, LAY, or STOW fields are not displayed.

If fields are not displayed, go to step 3.

Table L-4 TROUBLESHOOTING - Continued

MALFUNCTION	TEST OR INSPECTION	CORRECTIVE ACTION
AFCS - Continued		
Step 3.	Check DU for fault indication.	<ul style="list-style-type: none"> a. GUN SERVO indicator not lit during LOAD/LAY/STOW operation. Run PDIU system test (para L-9.3) and notify unit maintenance. Complete mission in DEGRADED mode. b. FAULT indicator lit. Check status line for faulty hardware, run PDIU system test (para L-9.3) and notify unit maintenance. Complete mission in DEGRADED mode.
3. CAB CREEPS UNDER AFCS CONTROL.	Step 1. Verify that GUN SERVO ON/OFF switch is ON.	<ul style="list-style-type: none"> a. If not ON, place switch ON. b. If switch is ON, go to step 2.
	Step 2. Check to see if you are in NORMAL OPERATIONS mode.	<ul style="list-style-type: none"> a. Check EL Panel for mode display. If not in proper mode, enter proper mode. b. If in NORMAL OPERATIONS mode, check EL Panel fields. <ul style="list-style-type: none"> (1) Verify that LOAD, LAY, or STOW fields are displayed on EL Panel of DU. (2) LOAD, LAY, or STOW fields are highlighted, when displayed. Gun is already in proper position, cab should not creep. If cab still creeps, notify unit maintenance. Complete mission in DEGRADED mode. (3) LOAD, LAY, or STOW fields are displayed properly. Reselect proper functional key. If cab still creeps, notify unit maintenance. (4) LOAD, LAY, or STOW fields are not displayed. If fields are not displayed, go to step 3.
	Step 3. Check DU for fault indication.	<ul style="list-style-type: none"> a. GUN SERVO indicator not lit during LOAD/LAY/STOW operation. Run PDIU system test (para L-9.3) and notify unit maintenance. Complete mission in DEGRADED mode. b. FAULT indicator lit. Check status line on EL Panel for faulty hardware, run PDIU system test (para L-9.3), and notify unit maintenance. Complete mission in DEGRADED mode.

Table L-4 TROUBLESHOOTING - Continued

MALFUNCTION**TEST OR INSPECTION****CORRECTIVE ACTION****AFCS - Continued**

4. GUN TUBE DOES NOT MOVE TO LOAD POSITION WHEN LOAD IS SELECTED UNDER AFCS CONTROL.

Step 1. Verify that GUN SERVO ON/OFF switch is ON.

- a. If not ON, place switch ON.
- b. If switch is ON, go to step 2.

Step 2. Check to see if you are in NORMAL OPERATIONS mode.

- a. Verify that TRAVERSE mode switch is in the POWER position. Check EL Panel for mode display.

If not in proper mode, enter proper mode.

- b. If in NORMAL OPERATIONS mode, check EL Panel fields.

(1) Verify that LOAD, LAY or STOW fields are displayed on EL Panel of DU.

(2) LOAD, LAY, or STOW fields are highlighted, when displayed.

Gun is already in proper position.

(3) LOAD, LAY, or STOW fields are displayed properly.

Reselect proper functional key. If gun tube still does not move to LOAD position, notify unit maintenance. Complete mission in DEGRADED mode.

(4) LOAD, LAY, or STOW fields are not displayed.

If fields are not displayed, go to step 3.

Step 3. Check DU for fault indication.

- a. GUN SERVO indicator not lit during LOAD/LAY/STOW operation.

Run PDIU system test (para L-9.3) and notify unit maintenance. Complete mission in DEGRADED mode.

- b. FAULT indicator lit.

Check status line on EL Panel for faulty hardware, run PDIU system test (para L-9.3), and notify unit maintenance. Complete mission in DEGRADED mode.

Table L-4 TROUBLESHOOTING - Continued

MALFUNCTION**TEST OR INSPECTION****CORRECTIVE ACTION****AFCS - Continued**

5. GUN TUBE DOES NOT MOVE TO STOW POSITION WHEN STOW IS SELECTED UNDER AFCS CONTROL.

Step 1. Verify that GUN SERVO ON/OFF switch is ON.

- a. If not ON, place switch ON.
- b. If switch is ON, go to step 2.

Step 2. Check to see if you are in NORMAL OPERATIONS mode.

- a. Verify that TRAVERSE mode switch is in the POWER position. Check EL Panel for mode display.

If not in proper mode, enter proper mode.

- b. If in NORMAL OPERATIONS mode, check EL Panel fields.

(1) Verify that LOAD, LAY, or STOW fields are displayed on EL Panel of DU.

(2) LOAD, LAY, or STOW fields are highlighted when displayed.

Gun tube is already in proper position.

(3) LOAD, LAY, or STOW fields are displayed properly.

Reselect proper functional key. If gun tube does not traverse/elevate freely, notify unit maintenance. Complete mission in DEGRADED mode.

(4) LOAD, LAY, or STOW fields are not displayed.

If fields are not displayed, go to step 3.

Step 3. Check DU for fault indication.

- a. GUN TUBE SERVO indicator not lit during LOAD/LAY/STOW operation.

Run PDIU system test (para L-9.3) and notify unit maintenance. Complete mission in DEGRADED mode.

- b. FAULT indicator lit.

Check status line on EL Panel for faulty hardware, run PDIU system test (para L-9.3), and notify unit maintenance. Complete mission in DEGRADED mode.

Table L-4 TROUBLESHOOTING - Continued

MALFUNCTION**TEST OR INSPECTION****CORRECTIVE ACTION****AFCS - Continued**

6. GUN TUBE DOES NOT MOVE TO LAY POSITION WHEN LAY IS SELECTED UNDER AFCS CONTROL.

Step 1. Verify that GUN SERVO ON/OFF switch is ON.

- a. If not ON, place switch ON.
- b. If switch is ON, verify TRAVERSE LOCK is in UNLOCKED position. Go to step 2.

Step 2. Check to see if you are in NORMAL OPERATIONS mode.

- a. Verify that TRAVERSE mode switch is in the POWER position. Check EL Panel for mode display.

If not in proper mode, enter proper mode.

- b. If in NORMAL OPERATIONS mode, check EL Panel fields.

(1) Verify that LOAD, LAY, or STOW fields are displayed on EL Panel of DU.

(2) LOAD, LAY, or STOW fields are highlighted, when displayed.

Gun tube is already in proper position.

(3) LOAD, LAY, or STOW fields are displayed properly.

Reselect proper functional key. If gun tube still does not move to LAY position, notify unit maintenance. Complete mission in DEGRADED mode.

(4) LOAD, LAY, or STOW fields are not displayed.

If fields are not displayed, go to step 3.

Step 3. Check DU for fault indication.

- a. GUN TUBE SERVO indicator not lit during LOAD/LAY/STOW operation.

Run PDIU system test (para L-9.3) and notify unit maintenance. Complete mission in DEGRADED mode.

- b. FAULT indicator lit.

Check status line on EL Panel for faulty hardware and notify unit maintenance. Complete mission in DEGRADED mode.

Table L-4 TROUBLESHOOTING - Continued

MALFUNCTION	TEST OR INSPECTION	CORRECTIVE ACTION
AFCS - Continued		
7. DU DOES NOT POWER UP.	Step 1. Verify that MASTER and HYDRAULIC POWER switches are ON. <ol style="list-style-type: none"> a. If not ON, place switch(es) ON. b. If switch(es) are ON, go to step 2. 	Step 2. Verify that PCU circuit breakers are ON. <ol style="list-style-type: none"> a. If not ON, place appropriate circuit breaker(s) ON. b. If all circuit breakers are ON, notify unit maintenance.
8. TRAINING MODE CANNOT BE SELECTED.	Step 1. Verify that you are in the proper mode for TRAINING selection. <ol style="list-style-type: none"> a. If not, enter TRAINING mode. b. If in TRAINING mode, place the TRAINING ON/OFF switch in ON position. 	Step 2. TRAINING mode still cannot be entered. Notify unit maintenance.
9. AFCS IS NOT ABLE TO RECEIVE A MISSION.	Step 1. Verify that during POWER UP STATUS, AFCS is okay. <ol style="list-style-type: none"> a. AFCS subsystems do not check out as OK. If 1553 bus is not OK, notify unit maintenance. If the 1553 bus is degraded, go to step 2. b. AFCS subsystems check out OK. Go to step 2. 	Step 2. Verify that you are in proper mode (NORMAL OPERATIONS). <ol style="list-style-type: none"> a. If not in proper mode, enter NORMAL OPERATIONS mode and go through NETWORK display until you get to SETUP AND INFORMATION display. Now go to step 3. b. If already in proper mode, go to step 3.
	Step 3. Verify that data entry has been provided and is correct for all items marked with an * on SETUP AND INFORMATION display. <ol style="list-style-type: none"> a. If data has not been entered, enter data now to initialize system. Now system is able to receive a mission. b. If data has been entered for the * items and you still are unable to receive a mission, notify unit maintenance. 	

Table L-4 TROUBLESHOOTING - Continued

MALFUNCTION**TEST OR INSPECTION****CORRECTIVE ACTION****AFCS - Continued**

10. NO AUDIBLE ALERT FOR COS OR CREW (DU POWER IS ON).

Step 1. Verify that wire/cable connections are tight.

If wire/cable connections are tight, go to step 2.

Step 2. Go to para L-9.6 and perform Audio Alert Test.

a. If intercom is not adjusted properly, adjust it now.

b. Rerun Audio Alert Test and go to step 3.

Step 3. If there is still no audible signal, notify unit maintenance that intercom/AFCS is faulty.

11. EL PANEL MESSAGES ARE GARBLED/HARD TO READ.

Step 1. Verify that wire/cable connections are tight.

If wire/cable connections are tight, go to step 2.

Step 2. Go to para L-9.7 and perform Display Test.

a. If test indicates that some of the pixels on EL Panel are burned out, notify unit maintenance that DU (EL Panel) is faulty.

b. If test does not indicate a problem with pixels, have unit maintenance check AFCS.

12. DU SOFT KEYS/ARROW KEYS/KEYPAD SWITCHES, LOAD, LAY, OR STOW KEYS DO NOT RESPOND PROPERLY.

Step 1. Verify that cable/harness connections are tight.

If wire/cable connections are tight, go to step 2.

Step 2. Go to para L-9.8 and perform Key and Switch Test.

a. If test indicates a fault, notify unit maintenance that DU is faulty.

b. If no fault is indicated, notify unit maintenance to check AFCS.

13. NAV SUBSYSTEM FAULT (DEGRADED MODE) IS INDICATED.

Step 1. Verify that wire/cable connections are tight.

If wire/cable connections are tight, go to step 2.

Step 2. Traverse cab left and right 90 degrees from travel lock position and verify fault has been eliminated. If not, clean slip ring segment boards (para 3-8.17) and try the VMS test again before notifying unit maintenance.

Step 3. Go to para L-9.2 and perform BIT Status Test.

a. Determine which subsystem is degraded. If VMS fault is indicated, go to para L-9.5 and perform VMS test. Notify unit maintenance of particular fault.

b. Check PDIU reconfiguration advice (Appendix G.2). Determine if DEGRADED mode is acceptable. (Certain degraded subsystems will not interfere with AFCS operation or mission capability, i.e., VMS is out.) If acceptable, continue mission.

Table L-4 TROUBLESHOOTING - Continued

MALFUNCTION**TEST OR INSPECTION****CORRECTIVE ACTION****AFCS - Continued**

14. DU SUBSYSTEM FAULT (DEGRADED MODE) IS INDICATED.

Step 1. Verify that wire/cable connections are tight.

If wire/cable connections are tight, go to step 2.

Step 2. Go to para L-9.2 and perform BIT Status Test.

a. Determine which subsystem is degraded. Notify unit maintenance of particular fault.

b. Determine if DEGRADED mode is acceptable. (Certain degraded subsystems will not interfere with AFCS operation or mission capability; i.e., Embedded Trainer is out.) If acceptable, continue mission.

15. WPN SUBSYSTEM FAULT (DEGRADED MODE) IS INDICATED.

Step 1. Verify that wire/cable connections are tight.

If wire/cable connections are tight, go to step 2.

Step 2. Go to para L-9.2 and perform BIT Status Test.

a. Determine which subsystem is degraded. Notify unit maintenance of particular fault.

b. Check PDIU reconfiguration advice (Appendix G.2). Determine if DEGRADED mode is acceptable. (Certain degraded subsystems will not interfere with AFCS operation or mission capability; i.e., Tube Temp is out.) If acceptable, continue mission.

16. PDIU SUBSYSTEM FAULT (DEGRADED MODE) IS INDICATED.

Step 1. Verify that wire/cable connections are tight.

If wire/cable connections are tight, go to step 2.

Step 2. Go to para L-9.2 and perform BIT Status Test.

a. Determine which subsystem is degraded. Notify unit maintenance of particular fault.

b. Determine if DEGRADED mode is acceptable. (Certain degraded subsystems will not interfere with AFCS operation or mission; i.e., PDIU is out.) If acceptable, continue mission.

17. PCU SUBSYSTEM FAULT (DEGRADED MODE) IS INDICATED.

Step 1. Verify that wire/cable connections are tight.

If wire/cable connections are tight, go to step 2.

Step 2. Go to para L-9.2 and perform BIT Status Test.

a. Determine which subsystem is degraded. Notify unit maintenance of particular fault.

b. Determine if DEGRADED mode is acceptable. (Certain degraded subsystems will not interfere with AFCS operation or mission capability; i.e., PCU BIT failed.) If acceptable, continue mission.

Table L-4 TROUBLESHOOTING - Continued

MALFUNCTION**TEST OR INSPECTION****CORRECTIVE ACTION**

AFCS - Continued

18. MVS SUBSYSTEM FAULT (DEGRADED MODE) IS INDICATED.

NOTE

Make sure the 1553 termination connector is installed (para 2-22.3) if M93 radar antenna transceiver is not mounted.

- Step 1. Verify that cable/harness connections are tight.
If wire/cable connections are tight, go to step 2.
- Step 2. Go to para L-9.2 and perform BIT status test.
- a. Determine which subsystem is degraded. Notify unit maintenance of particular fault.
 - b. Determine if DEGRADED mode is acceptable. (Certain degraded subsystems will not interfere with AFCS operation or mission capability; i.e. PCU bit failed.) If acceptable, continue mission.

Table L-4 TROUBLESHOOTING - Continued

MALFUNCTION**TEST OR INSPECTION****CORRECTIVE ACTION****AFCS - Continued**

19. AFCS POSITION DRIFTS/DRUH "OP FAIL" IS INDICATED.

NOTE

- Infrequently, the AFCS position has been observed to drift while the howitzer is stationary, or the "NAV OUT - DRU OP FAIL" alert message is displayed, for no apparent reason. These problems have been traced to errors in communications between the AFCS and DRUH. With the GPS receiver (PLGR) installed and the AFCS operated in a GPS aided mode, the problem will be bound to an acceptable level. If the PLGR is off or not receiving acceptable signals from four satellites, the drift may occur to an unacceptable level.
- Unless there is an operational constraint on using GPS, it is recommended that the PLGR be installed and the AFCS be operated in the GPS aided mode.

Follow the steps below if position is drifting when the howitzer is stationary and any of the following symptoms are observed: (Note that these conditions are normal when the howitzer is travelling.)

- a. "ZPT" is displayed in field 6 in the top line of the display. (Note that it takes about 30 seconds after the vehicle stops for a normal "ZPT" indication to clear.)
- b. AFCS position changes more than 10 meters.
- c. The "ZUPT REQUIRED" alert message is displayed.
- d. The "NAV POS UPDATE REQUESTED" alert message is displayed.
- e. The "PRESS ACK WHEN TUBE STOWED" alert message is displayed when the howitzer hasn't traveled.
- f. The "POS UPDATE INTERRUPTED" alert message is displayed after a NAV UPDATE is attempted.
- g. The "POS UPDATE RJTD HOWITZER MOVG" alert message is displayed after a NAV UPDATE is attempted.

(Note that the "POSITION UPDATE REQUIRED" alert message can be triggered by several conditions. Unless accompanied by one of the above indications, it is not a symptom of position drift.)

If any of the position drift symptoms is observed or the "NAV OUT - DRU OP FAIL" alert message is displayed, perform the following procedure:

- Step 1. Power down the AFCS.
- Step 2. Power the AFCS back up.
- Step 3. Reinitialize the AFCS

NOTE

Do not replace the DRUH or the ACU for position drift or DRU OP FAIL problems. If cycling power, as discussed above, doesn't relieve the symptoms, notify unit maintenance.

L-11 AFCS CONFIDENCE TESTS.

L-11.1 Verification of Position and Direction Using Survey Data.

NOTE

To perform the direction tests, it is important that the spheroid and grid zone stored in the AFCS map mod are correct for the area of operation. If the AFCS spheroid and grid zone are incorrect, get a correct map mod from FDC (select GET INITIALIZATION on the FDC DATA XFER menu) or enter the correct spheroid and grid zone by selecting ENTER SPHEROID/DATUM on the SETUP AND INFORMATION menu.

During field training or combat, the position and direction data shown by the AFCS can be checked by using a surveyed location. The built-in-test (BIT) does not fully assure that the AFCS accuracy is within tolerance.

To perform the position test, two carefully surveyed points about 3-4 km apart are required, with an accuracy of 1:1000 or better.

To perform the direction test, there are three options:

- Surveyed orienting station and end of orienting line (OS/EOL). The OS should be at least 100 meters from the howitzer survey point.
- A surveyed azimuth to a distant aiming point (DAP) that is at least 1500 meters away from the survey point. A closer point may be used, but the test will not be as accurate.
- When no survey azimuth is available, a deflection test using the PANTEL is possible.

Perform the tests as follows.

L-11.1.1 Verification of Position Using Survey Points.

- a. Initialize the AFCS with the howitzer left front sprocket within one meter of the first survey point. Ensure easting, northing, and altitude match the data posted on the survey marker.

NOTE

If a surveyed azimuth to a DAP will be used for a direction test at the second survey point, then the FDC move order should include the azimuth to DAP as the center of sector. If a manual move order is used, first enter the azimuth to DAP as the center of sector on the DEFINE SECTOR OF FIRE menu (select SECTOR OF FIRE from SETUP AND INFORMATION menu). Then by positioning howitzer at second survey point with vehicle heading aligned with center of sector, you will ensure the tube is pointed toward the DAP.

- b. After the nav subsystem is fully aligned, receive a move order from FDC (destination INIT POINT) to the second survey point. If FDC is not available, enter a manual move order to the second survey point.
- c. Move to the second survey point without stopping.
- d. Upon arrival at the survey point, position howitzer with the left front sprocket within one meter of survey point. Wait 30 seconds before proceeding to next step.

L-11 AFCS CONFIDENCE TESTS - CONTINUED

L-11.1 Verification of Position and Direction Using Survey Data - Continued

L-11.1.1 Verification of Position Using Survey Points - Continued

- e. With the STEER TO screen displayed, read and record AFCS position data under POSN (easting, northing, and altitude) and the range to destination (RNG) in the upper right corner of the screen. Subtract the POSN altitude from the DESTN altitude.
- f. Compare the data obtained in step e with the following tolerances.

RNG	26 meters or less
Altitude Difference	± 26 meters
- g. If the AFCS data is within tolerance, but the POSN easting, northing, and altitude do not match the survey marker data exactly, then press ARRIVED key and do a NAV POSN UPDATE, using the NAV POSN UPDATE screen from the SETUP AND INFORMATION menu.
- h. If AFCS data is within tolerance, position test is complete. Skip the steps below and proceed to the chosen method for testing direction.
- i. If the AFCS data is out of tolerance, verify the DESTN easting, northing, and altitude matches the data on the survey marker. If they do not match, record the survey marker data for later use.
- j. Press ARRIVED key. Select NAV POSN UPDATE from the SETUP AND INFORMATION menu to enter the survey marker data. Do a NAV POSN UPDATE by pressing the USE ALL key.
- k. After the nav subsystem is fully aligned, receive a MOVE ORDER from FDC (or do a manual move order) to the first survey point.
- l. Move to the first survey point without stopping.
- m. Repeat steps d through f at the first survey point. Record the data and note whether the AFCS is in or out of tolerance.
- n. Press ARRIVED key. Select NAV update from the SETUP AND INFORMATION menu to enter the survey marker data. Do a NAV position update by pressing the USE ALL key.
- o. After the nav subsystem is fully aligned, receive a move order from FDC (or do a manual move order) to the second survey point.
- p. Move to the second survey point without stopping.
- q. Repeat steps d through f at the second survey point. Record the data and note whether the AFCS is in or out of tolerance.
- r. If the AFCS was out of tolerance two out of three trials, notify unit maintenance.
- s. If the AFCS was in tolerance two out of three trials, press ARRIVED key. Select NAV UPDATE from the SETUP AND INFORMATION menu and enter the second survey marker data. Do a NAV POSN UPDATE by pressing USE ALL key. Proceed to the chosen method for testing direction.

L-11.1.2 Verification of Direction Using an OS/EOL.

The AFCS nav subsystem uses gyros to align the system to north. Checks of AFCS direction may be accomplished using survey points and the M2 aiming circle, or a theodolite. Perform the test as follows.

- a. Ensure the howitzer is fully initialized and emplaced at the survey point on level ground. Ensure that a NAV POSN UPDATE has been done using the survey marker data.
- b. Unstow the tube. Install muzzle crosshairs.

L-11 AFCS CONFIDENCE TESTS - CONTINUED

L-11.1 Verification of Position and Direction Using Survey Data - Continued

L-11.1.2 Verification of Direction Using an OS/EOL - Continued

- c. Set up and level the aiming circle over the OS.
- d. Place the azimuth of the Orienting Line (OL) on the aiming circle using the upper (recording) motion.
- e. Sight the aiming circle on the EOL using the lower (non-recording) motion.
- f. Sight the aiming circle toward the howitzer using the upper (recording) motion.
- g. Using the primer vent hole and muzzle crosshairs, align the cannon bore on the aiming circle lens.
- h. With the upper (recording) motion of the aiming circle, align the vertical crosshair on the center of the cannon bore. Aiming circle operator announces "NUMBER (SO AND SO) REFER, AIMING POINT THIS INSTRUMENT."
- i. Read the azimuth to the cannon bore. This corresponds to the back azimuth of the cannon bore.
- j. If the aiming circle azimuth to the tube is greater than 3200, subtract 3200 to obtain tube pointing azimuth. If the aiming circle azimuth to the tube is less than 3200, add 3200 to obtain tube pointing azimuth.
- k. Select DISPLAY FORMAT from the SETUP AND INFORMATION menu. Change display from DEFLECTION to AZIMUTH and press USE ALL key.
- l. Select FIRE COMMANDS from the SETUP AND INFORMATION menu. When FIRE COMMANDS menu is displayed, press USE ALL to display a FIRE MISSION screen.
- m. Read and record ACTL AZ and QUAD off the FIRE MISSION screen. AFCS operator announces "NUMBER (SO AND SO), AZIMUTH (SO MUCH)".
- n. Aiming circle operator compares the readings from steps j and m. If the difference is with ± 2 mils, the aiming circle operator announces "SAFE".

NOTE

Quadrant should also be checked with a pretested gunner's quadrant. After adjusting for breech correction, reading should compare within ± 2 mils.

- o. AFCS operator compares the readings from steps k and n. If the difference is within ± 2 mils, the direction test is complete. Skip the steps below. Press EOM key on the FIRE MISSION menu to return to the SETUP AND INFORMATION menu. Select DISPLAY FORMAT and change display back to DEFLECTION and press USE ALL key.
- p. If either the azimuth or quadrant difference exceeds ± 2 mils, stow tube. Select NAV UPDATE from SETUP AND INFORMATION menu. When NAV UPDATE menu is displayed, check data and correct if necessary. When data is correct, select FORCE NAV RESTART and press USE ALL key to align the nav subsystem.
- q. Recheck the aiming circle level and position over the stake.
- r. After the nav subsystem is fully aligned, unstow tube and repeat steps d through o.
- s. If results are still out of tolerance, notify unit maintenance.

L-11 AFCS CONFIDENCE TESTS - CONTINUED

L-11.1 Verification of Position and Direction Using Survey Data - Continued

L-11.1.3 Verification of Direction Using an Azimuth to a DAP.

The AFCS nav subsystem uses gyros to align the system to north. Checks of AFCS direction may be accomplished using a survey point and a surveyed azimuth to a DAP at least 1500 meters away. A closer point may be used, but the test will not be as accurate. Perform the test as follows.

- a. Ensure the AFCS is fully initialized and the nav subsystem is fully aligned. Ensure the howitzer is positioned with the left front sprocket within one meter of the survey point. Ensure the howitzer is pointed generally toward the DAP.
- b. Unstow the tube.
- c. Align the cannon bore on the DAP.
- d. Select DISPLAY FORMAT from the SETUP AND INFORMATION menu. Change display from DEFLECTION to AZIMUTH and press USE ALL key.
- e. Select FIRE COMMANDS from the SETUP AND INFORMATION menu. When FIRE COMMAND menu is displayed, press USE ALL to display a FIRE MISSION screen.
- f. Read and record ACTL AZ and QUAD off the FIRE MISSION screen.
- g. Compare the azimuth display on the AFCS (ACTL AZ) with the surveyed azimuth to the DAP. Azimuth should compare within ± 2 mils.
- h. Compare the quadrant displayed on the AFCS (ACTL QUAD) with the quadrant elevation off the M145A1 Mount. Quadrant elevation should compare within ± 2 mils.

NOTE

Quadrant should also be checked with a pretested gunner's quadrant. After adjusting for breech correction, reading should compare within ± 2 mils.

- i. If the results are within tolerance, the test is complete. Skip the steps below. Press EOM key on the FIRE MISSION menu to return to the SETUP AND INFORMATION menu. Select DISPLAY FORMAT and change display back to DEFLECTION and press USE ALL key.
- j. If the results are out of tolerance, stow tube. Select NAV UPDATE from SETUP AND INFORMATION menu. When NAV UPDATE menu is displayed, check data and correct if necessary. When data is correct, select FORCE NAV RESTART and press USE ALL key to align the nav subsystem.
- k. After the NAV subsystem is fully aligned, unstow tube and repeat steps c through i.
- l. If results are still out of tolerance, notify unit maintenance.

L-11 AFCS CONFIDENCE TESTS - CONTINUED**L-11.1 Verification of Position and Direction Using Survey Data - Continued****L-11.1.4 Verification of Deflection and Quadrant.**

If surveyed azimuth data is not available, you can check the AFCS and the PANTEL for a match in deflection and quadrant elevation. To perform this test, a DAP at least 1500 meters away is needed. Perform the test as follows.

NOTE

The howitzer may be positioned at a survey point if the position test is also being conducted. However, a survey point is not necessary to perform the deflection and quadrant test alone.

- a. Receive a move order from FDC to fire point. If FDC is not available, enter a manual move order to a FIRE POINT.
- b. With the EMPLACE FIRE POINT screen displayed, position howitzer with tube pointed generally toward center of sector (base azimuth).
- c. Press ARRIVED and unstow tube. Install muzzle crosshairs.
- d. Use default value for MAXIMUM TUBE ELEVATION and press USE ALL on the SITE DEFINITION screen. The SECTION IN ORDER AT FIRE POINT screen will be displayed.
- e. Using the power control handle, traverse the tube until ACTL DEFL displays 3200 deflection on the SECTION IN ORDER screen (this is the center of sector or base azimuth).

NOTE

If there is no FPF or priority fire mission on the screen, you may press the LOAD key to traverse the tube to 3200 deflection. Ensure that ACTL DEFL remains on 3200 deflection when you release the LOAD key. Adjust with power control handle, if necessary.

- f. Check boresight of PANTEL with M140/M140A1 alignment device.
- g. Select a DAP that is at least 1500 meters away.
- h. Using the Azimuth deflection knob, align the vertical hairline of the PANTEL on the DAP. Level the pitch and cross level bubbles and check alignment.
- i. Rotate counter rest knob on PANTEL until 3200 appears on reset counter.
- j. Using the primer vent hole and muzzle crosshairs, align the tube on the DAP.
- k. Level pitch and cross level bubbles on PANTEL mount. Using the azimuth deflection knob, align vertical hairline of PANTEL on the DAP. Record PANTEL deflection reading.
- l. Center elevation level vial on M145A1 mount. Record M145A1 quadrant reading.
- m. Read and record the ACTL deflection (DEFL) and quadrant (QUAD) obtained on the PDFCS SECTION IN ORDER screen.
- n. Compare deflections and quadrants obtained in steps k, l, and m. The tolerance between readings is ± 2 mils for both deflection and quadrant.
- o. If AFCS and PANTEL agree within the tolerance, the test is complete. Skip the step below.
- p. If AFCS and PANTEL do not agree with the tolerance, notify unit maintenance.

L-11 AFCS CONFIDENCE TESTS - CONTINUED

L-11.2 Testing the Accuracy of the AFCS Elevation.

NOTE

Before performing this test, ensure that the cannon assembly is properly equilibrated (para 3-8.2) to prevent tube elevation drift.

The AFCS elevation accuracy should be tested whenever the trunnions have been leveled for optical fire control alignment test and measurements. It is suggested that a survey point be put in at the location of these tests for the purpose of proper initialization of the AFCS.

This test is used to verify the AFCS quadrant elevation and gunner's quadrant agree at all elevations. Perform the test as follows.

- a. Initialize the AFCS with the tube stowed in the travel lock.
- b. When the Nav Subsystem is fully aligned, unstow tube, and recheck trunnion level using a plumbline.
- c. Level the tube using a pretested gunner's quadrant on the machined surface just rear of the muzzle brake. Set the gunner's quadrant on the top (widest) surface with the feet aligned with the machined shoulder.
- d. With the tube held at the level position, place the gunner's quadrant on the breech elevation seats. Measure and record breech correction.
- e. Select FIRE COMMANDS from the SETUP AND INFORMATION menu. When FIRE COMMANDS menu is displayed, press USE ALL to display a FIRE MISSION screen.
- f. Read and record ACTL QUAD on the FIRE MISSION screen. QUAD should be zero mils \pm 0.5 mils.
- g. If ACTL QUAD is not within tolerance, notify unit maintenance.
- h. Set the scale of the gunner's quadrant to 100 mils plus the sum of the gunner's quadrant correction and the breech correction.
- i. Place the gunner's quadrant on the breech seats. Elevate the tube (power or manual) until the bubble is centered.
- j. Read and record the ACTL QUAD on the FIRE MISSION screen. If the difference between the ACTL QUAD and the tube elevation exceeds \pm 0.5 mils, verify all settings. Record the difference.
- k. Repeat steps h through j, adding 100 mils elevation each time, until maximum elevation is reached. Then decrease elevation in 100 mil increments and repeat measurements.
- l. Compare all differences to the tolerance of \pm 0.5 mils. If the reading at any elevation exceeds the tolerance, notify unit maintenance.

APPENDIX M

OPERATION OF PALADIN DIGITAL FIRE CONTROL SYSTEM (PDFCS) (VERSION 7P SOFTWARE)

TABLE OF CONTENTS

	<u>Page</u>
M-1 SCOPE	M-3
M-2 GENERAL	M-3
M-3 PDFCS OPERATING MODES	M-3
M-3.1 FC Mode	M-3
M-3.2 Training Mode	M-4
M-3.3 Normal Operation Mode	M-4
M-3.4 Maintenance Mode	M-4
M-3.5 FBCB2 (SA) Mode	M-4
M-4 PDFCS OPERATING CONTROLS AND INDICATORS	M-5
M-5 DC POWER MESSAGES	M-22
M-5.1 On Auxiliary Power	M-22
M-5.2 Auxiliary Power Not Available	M-23
M-5.3 Vehicle and Auxiliary Power OK	M-23
M-6 PDFCS INITIALIZATION	M-24
M-6.1 System Power Up	M-24
M-6.2 Initializing	M-29
M-6.3 Initialization After an Orderly Shutdown	M-81
M-6.4 Initialization After a Catastrophic Failure	M-98
M-7 PDFCS TRAVEL MODE	M-100
M-7.1 Movement	M-100
M-7.2 Emplacement Fire Point/Fire Area	M-105
M-8 PDFCS FIRE MISSION	M-118
M-8.1 Platoon Operation Center	M-121
M-8.2 Firing Mission	M-123
M-8.3 Ammunition Accountability	M-125
M-8.4 End of Mission	M-127
M-8.5 PDFCS Emergency Mission	M-128
M-8.6 Direct Fire Procedures Using PDFCS	M-130
M-8.7 System Menus	M-135
M-9 PDFCS AND PDI FAULT DETECTION	M-156
M-9.1 Power Up Built-In-Test (BIT)	M-156
M-9.2 PDFCS Status	M-159
M-9.3 PDI System Test	M-163
M-9.4 Vehicle Motion Sensor Test	M-177
M-9.5 Audio Alert Test	M-179
M-9.6 Display Test	M-180
M-9.7 Key and Switch Test	M-181
M-9.8 Boresight Angle Entry	M-182
M-9.9 Equivalent Full Charge (EFC)	M-182
M-9.10 PDFCS and PDCU Abbreviations	M-187
M-9.11 Software Version/Configuration Display	M-191
M-9.12 CPU Environment Display	M-192
M-10 SYMPTOM INDEX	M-193
M-11 PDFCS CONFIDENCE TESTS	M-204
M-11.1 Verification of Position and Direction Using Survey Data	M-204
M-11.2 Testing the Accuracy of the PDFCS Elevation	M-209

M-1 SCOPE.

This appendix contains the procedures and actions necessary for proper operation of the Paladin Digital Fire Control System (PDFCS) utilizing Version 7P Software.

M-2 GENERAL.

The Paladin Digital Fire Control System (PDFCS) performs ballistic computations and weapon control, provides the interface between the PDFCS computer and the radios, and stores data which is displayed/entered on the Display Unit (DU).

PDFCS eliminates the use of optical fire control equipment in laying vehicle for deflection and elevation during indirect fire missions. PDFCS receives target information, calculates weapons position and automatically lays the gun tube. Calls for fire are accepted directly. Communication can be performed with any authorized source.

In addition PDFCS contains a maintenance utility designed to perform initial troubleshooting of the system and a Built-In Training Device (Embedded Trainer) containing a tutorial on system operations.

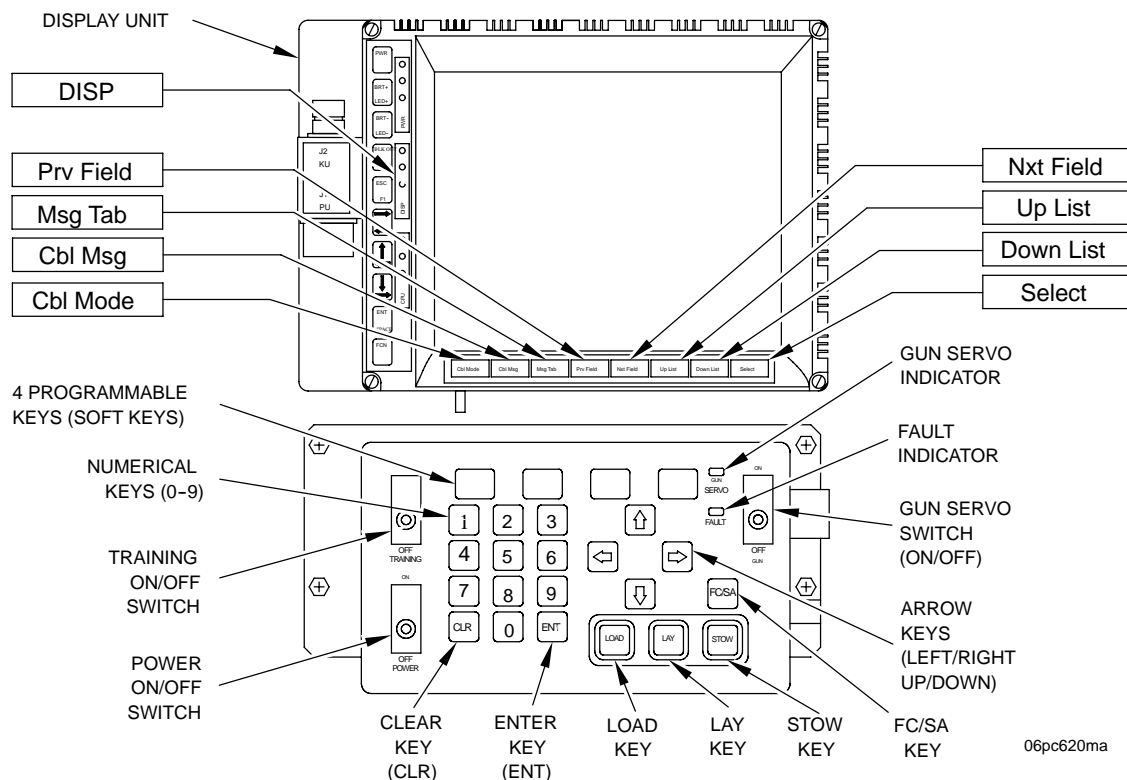
M-3 PDFCS OPERATING MODES.

PDFCS has two operational modes: Fire Control (FC) and Force XXI Battle Command Brigade and Below (FBCB2), each of these is as discussed below. Since the primary function of PDFCS is Fire Control, the terms "PDFCS" and "FC" are often used interchangeably. Since the primary function of FBCB2 is Situational Awareness (SA), the terms "FBCB2" and "SA" are often used interchangeably.

M-3.1 FC Mode.

Refers to the PDFCS functionally to provide for fire control net connectivity, FC unit commands, fire mission messages, and Paladin system controls. The PDFCS has automatic mode control for FC mode to automatically take charge of the display upon receipt of a FC message. The operator has the capability to switch between FC and SA modes of operations.

Fire Control functions are performed during three operating modes. These modes are Training, Normal Operations, and Maintenance.



M-3 PDFCS OPERATING MODES - CONTINUED

M-3.2 Training Mode.

The PDFCS has a Built-In Training Device (Embedded Trainer). This can be used as a tutorial device to train, maintain, improve, and evaluate crew efficiency/performance. This function allows for simulating Move and Fire Missions under a variety of battlefield scenarios. These include: Shoot Heavy, Move Heavy, Modified Balanced, as well as Degraded conditions for Fire Control, all without need for radio communications (PDFCS simulates all radio communications so training can be accomplished without POC assets). In addition, the Embedded Trainer can be run from a Beginner's Tutorial option through a full scale scenario.

M-3.3 Normal Operation Mode.

During the normal operation mode, there are submodes which make up initializing the system navigation, emplacement, and firing the howitzer. These submodes are initialization, travel, and fire mission.

M-3.4 Maintenance Mode.

This mode is designed to be used by the crew to do initial troubleshooting of a failure in the PDFCS, isolate to an LRU and expedite repair, and view detailed software configuration information for each LRU/CPCI.

NOTE

In the SA mode, M109A6 crews should not respond to either of the following FBCB2 message alerts:

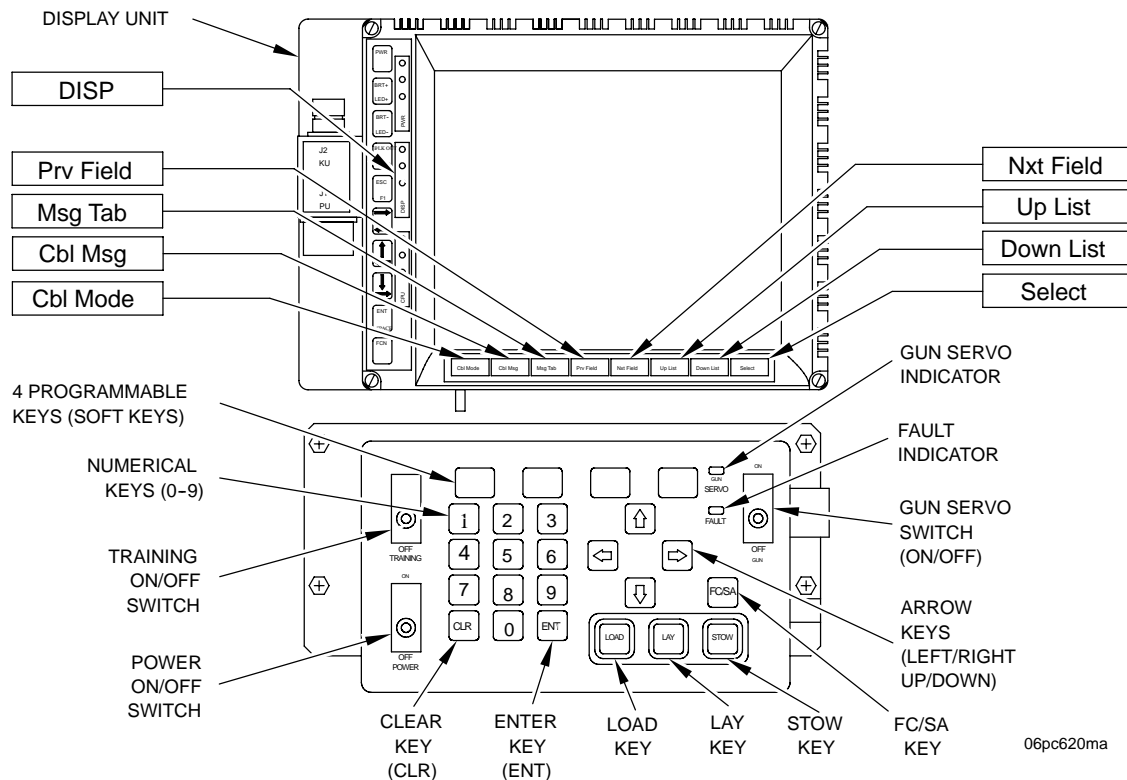
- Fire Mission
- Check Fire

These messages should only be acted upon when received in the Fire Control (FC) mode.

M-3.5 FBCB2 (SA) Mode.

Refers to Situational Awareness and Command and Control (C2) operations provided by FBCB2. This mode provides connectivity to the Tactical Internet, a constantly updated SA picture (friendly and reported enemy/other positions, danger areas and obstacles), FBCB2 system controls as well as report, alert, planning, overlay, logistic, coordination and fire support messages.

M-4 PDFCS OPERATING CONTROLS AND INDICATORS.



- a. GUN SERVO Indicator Lamp. This amber indicator lamp will come on only during PDFCS movement of the weapon. Additionally, the lamp stays on when the servos position the weapon on command LAY.
- b. GUN SERVO ON/OFF Switch. This toggle switch enables gun servo units. Lifting guard and placing switch in ON position allows PDFCS to control gun servo valves. (This is required for Gun Laying by PDFCS, also needed for STOW and LOAD commands by PDFCS.) Closing switch guard will automatically place switch in OFF position.
- c. Arrow Keys (up/right/down and left). Pressing proper key will move highlighted area of display on PDU.
- d. FAULT Indicator Lamp. This indicator lamp will come on when a failure has been detected by internal BIT of PDFCS.
- e. STOW Key. With GUN switch ON, pressing STOW key will automatically return gun to a position above the travel lock. (Final tube positioning to secure gun in travel lock must be done with gunner's/COS control handles.)
- f. LAY Key. With GUN switch ON, pressing LAY key will automatically drive gun to Commanded (CMD) position by PDFCS (in proper azimuth and elevation).
- g. LOAD Key. With GUN switch ON, pressing LOAD key during high firing angles will automatically return gun to a preselected low elevation angle. This allows easier loading of gun.
 - (1) During Fire Mission. Pressing LOAD key during a Fire Mission will return gun to preselected load elevation and traverse gun to LAY position.

M-4 PDFCS OPERATING CONTROLS AND INDICATORS - CONTINUED

- (2) Prior to Fire Mission. Pressing LOAD key prior to a Fire Mission (Section in Order) will return gun to preselected load elevation and traverse to Final Protective Fire (FPF) azimuth.

NOTE

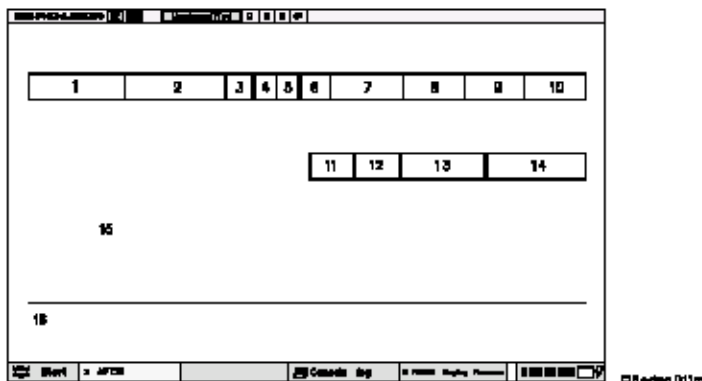
If there is no FPF, the gun will traverse to the assigned center sector of fire.

- h. KEYPAD (Numerals 0 through 9, CLR--clear, and ENT--enter keys). These keys are used for entering data. The CLR key is used to delete a numeric entry within the cursor field on the display. The ENT key is used to insert a numeric entry into highlighted field on the display.

NOTE

If PDFCS POWER is switched to OFF, alignment data will have to be reentered at next power up. Navigation Restart is a 15-minute procedure. Closing switch guard will not place this switch in OFF position. Switch must be manually put in OFF position.

- i. POWER ON/OFF Switch. Lifting the guard and placing switch in ON position powers up PDFCS. System will then automatically perform self-test (BIT). After BIT, PDFCS will control gun hydraulics when GUN ON/OFF switch is ON. At this time, some gun movement may occur. Do not power down PDFCS when entering/exiting different modes. After PDFCS has been powered down, the PDFCS will power up and be operational in approximately 3-4 minutes.
- j. TRAINING ON/OFF Switch. Lifting the guard and placing switch in ON position while PDFCS is at the select operating mode menu allows operator to select Training Mode. (To exit Training Mode, either finish scenario and exit via appropriate soft key, or place TRAINING ON/OFF switch to OFF and select appropriate soft key to exit.)
- k. Soft Keys (four). Function of keys depends on menu being displayed (worked). Lowest display line identifies function.
- l. FC/SA Key. This key is used to toggle the display between PDFCS (FC) and FBCB2 (SA) modes.
- m. PDFCS Display Unit (PDU). The PDU displays both FC and SA screens. If the fire control screen is active, the FBCB2 screen can be activated by pressing the FC/SA key on the keypad. If the FBCB2 screen is active, the fire control screen can be activated by pressing the FC/SA key on the keypad. If a user is viewing FBCB2, the display will automatically switch the FC screen if important fire control alerts occur. The PDFCS keypad buttons are disabled when FBCB2 is displayed. The PDFCS keypad is only used in conjunction with functions. All FBCB2 functions are performed using the touchscreen. When the FC screen is displayed, the format will show possible fire mission data fields, advisory messages, instructions and commands. The data fields in the FC screen are numbered as follows:



M-4 PDFCS OPERATING CONTROLS AND INDICATORS - CONTINUED

- (1) Field 1, PDFCS Operational Mode - The following can appear:
 - NORMAL - This indicates that the NORMAL OPERATIONAL mode is selected.
 - EMB TNG - This indicates that the TRAINING mode is selected.
 - MAINT - This indicates that the maintenance mode is selected.
 - REV XX - This indicates system software version identifier. Shown only until an PDFCS mode selection is made.
 - (blank) - This indicates that the Fire Control software is undetermined.
- (2) Field 2, FIRE MISSION STATUS - The following can appear:
 - CHKFIRE - This indicates that a checkfire status exists on the PDFCS. This message will appear in inverse video.
 - FIREMSN - This indicates that the PDFCS is performing a fire mission. This message will appear in inverse video.
 - (blank) - This indicates that the PDFCS is in normal operating status awaiting orders.
- (3) Field 3, MOVE ORDER INDICATOR - The following data may appear.
 - MO - This indicates that the PDFCS has an active move order. This indicator will appear in inverse video.
 - (blank) - This indicates that there is no move order active.
- (4) Field 4, WARNING MESSAGE INDICATOR -
 - W - If the letter W appears in inverse video a warning message has been queued.
 - (blank) - This indicates that there are no warning messages for the operator to view.
- (5) Field 5, RECEIVED MESSAGE INDICATOR -
 - R - If the letter R appears in inverse video a received message has been queued.
 - (blank) - This indicates that there are no received messages for the operator.
- (6) Field 6, ALIGN TIME TO GO INDICATOR - This three (3) character field indicates that the PDFCS is performing navigation alignment and should be complete in "nnn" (0...900) seconds or indicates that the PDFCS has initiated a command sequence with the Navigation Device. Following are the data that may appear in this field, in highest to lowest priority order:
 - ZPT - This indicates that the DRU has indicated a ZUPT Stop has been requested.
 - CMD - This indicates that the PDFCS has initiated a command sequence with the Navigation Device and the command sequence has not yet been completed.
 - POS - This indicates that the Navigation Device has requested a position update.
 - nnn - This three digit number indicates the number of seconds remaining before navigation alignment is complete. If the most significant digit is not the left most digit, the value will be padded with zeros on its left side.
 - (blank) - If the field is blank then the PDFCS is not undergoing navigational alignment.

M-4 PDFCS OPERATING CONTROLS AND INDICATORS - CONTINUED

- (7) Field 7, FUNCTION STATUS - Indicates the status of the various PDFCS functions. The following data may appear in this field when in normal or training operational modes:

“NACW” - Each letter of this string indicates that a function is not available or non-operational. The letters represent the status of the following functions:

“N” - Navigation function

“A” - GPS Aiding function

“C” - Communications Function

“W” - Weapon Control Function

“ ” - Spare

(blank) - The absence of a letter indicates that the associated function is available.

NOTE

When “DRY FIRE” has been selected in the FIRE MISSION MODE Muzzle Velocity processing and EFC processing shall not be performed. All other functions are performed as they would be in a normal Live Fire Mode. An operator warning, “D” shall be shown in position 4 of the Function Status Field. This warning shall remain in all screens until “LIVE FIRE” is selected.

- (8) Field 8, LOAD KEY STATUS - this four (4) character field indicates the status of the load key. The following data may appear in this field:

LOAD - This indicates that the load key is active. If this field is highlighted, it indicates that the tube is within the load elevation.

(blank) - This indicates that the load key is inactive.

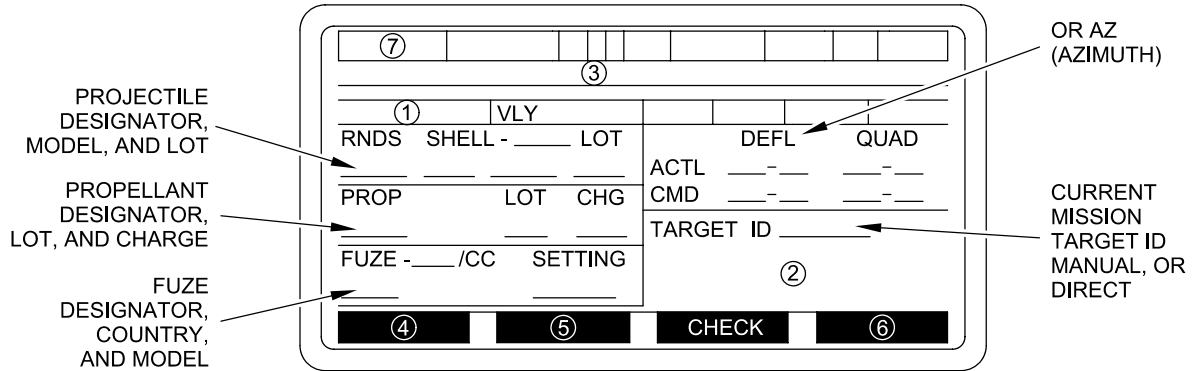
- (9) Field 9, LAY KEY STATUS - This three (3) character field indicates the status of the LAY key. The following may appear in this field:

LAY - This indicates that the LAY key is active. If this field is highlighted, it indicates that the tube is at the latest LAY commands.

(blank) - This indicates that the LAY key is inactive.

M-4 PDFCS OPERATING CONTROLS AND INDICATORS - CONTINUED

- (14) Field 14, Safe Time in Tube Status - This indicates the current safe time for a round to be in the tube. The time is shown in minutes; refer to para 2-17d. When the tube is cold, this indicator is blank to indicate that there is no limit on the safe time in the tube.
- (15) Field 15, Various instructions and warnings will appear in this area, as necessary. Some of the advisory messages and/or instructions displayed in field 15 are listed below:



06pc242t

Listed below are the legal values for each field of FIRE MISSION display.

VLY / = current volley being displayed: 1/1, 1/2 or 2/2

NOTE

The 1/1, 1/2, and 2/2 data shall not be displayed for operator initiated fire missions and missions that are in fire commands format.

- RNDS = Number of rounds remaining to fire 1..99
- SHELL = Shell model and mnemonic
- SHELL LOT = A..Z
- PROP = Propellant model
- PROP LOT = A..Z
- CHG = Propellant charge designator (see Table M-1)
- FUZE = Fuze model, Country and mnemonic
- SETTING = Computed fuze setting, "PD" or "DELAY"
- DEFL or AZ = 0.0..6399.9 mils
- QUAD = -200.0+1600.0 mils
- TARGET ID = Current mission target identification

Instructions and warnings which could appear on the FIRE MISSION display:

- ① Blank field 1 = Fire mission is not a sheaf
- SHEAF PT = This gun is participating in a multigun sheaf
- SHEAF a/s = This gun is conducting a single gun sheaf where: a..Current aimpoint number; b..Number of sheaf points

M-4 PDFCS OPERATING CONTROLS AND INDICATORS - CONTINUED**NOTE**

The alerts marked below with an asterisk will result in an "OK TO SHOOT?" "YES", "NO" short error message to the PDFCS operator.

If the fire mission is a multiple phase fire mission and the violation occurs for only one phase, the violation and error message will be displayed before continuing the mission.

If the fire mission has multiple aimpoints and the violation does not apply to every aimpoint, the violation and error message will be displayed for each aimpoint that has the violation, when the data for that aimpoint is displayed the first time.

The "SAFE FIRE AREA VIOLATION" warning shall be the first to appear and shall reappear after all other warnings have been cleared. The additional information in this field shall remain until it is superseded or no longer applies.

2

Blank field 2 = displayed when none of the following apply

SAFE FIRE AREA VIOLATION = The aimpoint or trajectory termination is outside of the received Safe Fire Area.*

REMEMBER TO UPDATE INVENTORY = Direct or manual fire mission and none of the following apply

WARNING TUBE IS NOT IN LAY POSITION = WC is operational and the tube is not in the lay window

TUBE MUST BE LAID MANUALLY = WC is not operational

CALL FDC IF ROUND IN TUBE = Awaiting tube clear and crew not authorized to fire

PRESS SHOT OR CLEAR TO ACK CEASELOAD = PDFCS has received a ceaseload request

SECTOR OF FIRE VIOLATION = Gun-target line is outside the defined sector of fire*

SITE VIOLATION = Firing parameters violate defined mask*

INSUFFICIENT AMMO SHELL/FUZE/PROP = Insufficient inventory quantities*

INSUFFICIENT AMMO SHELL/FUZE = Insufficient inventory quantities*

INSUFFICIENT AMMO SHELL/PROP = Insufficient inventory quantities*

INSUFFICIENT AMMO FUZE/PROP = Insufficient inventory quantities*

INSUFFICIENT AMMO SHELL = Insufficient inventory quantities*

INSUFFICIENT AMMO FUZE = Insufficient inventory quantities*

INSUFFICIENT AMMO PROP = Insufficient inventory quantities*

MAX TUBE EL EXCEEDED = Computed QE exceeds the defined maximum tube elevation.*

MINIMUM QE VIOLATED = The Gun Tube has violated the minimum QE as entered by the PDFCS operator. Enter Minimum Firing QE Display.*

M-4 PDFCS OPERATING CONTROLS AND INDICATORS - CONTINUED

- 3 Blank field 3 indicates that none of the following apply
 FIRE WHEN READY = Fire at will
 UNDER VOICE ORDERS = Manual fire mission
 COMPUTING DO NOT LOAD = PDFCS computing or waiting for operator response
 DO NOT LOAD = Do not load mission
 LOAD LAY THEN PRESS READY = At my command or Copperhead mission
 WAIT FOR COMMAND = At my command after ready
 WAIT NNN SECONDS = Time to fire mission or continuous interval mission. NNN maximum number is 999. If greater than 999 seconds = WAIT *** SECONDS
 WAIT NNN SECONDS - FDC COMP = WAIT NNN SECONDS = Time to fire mission or continuous interval mission. NNN maximum number is 999. If greater than 999 seconds = WAIT *** SECONDS
 FIRE = Command to fire
 FPF END OF MISSION = EOM of ceaseload during FPF
 EARLY END OF MISSION = EOM received after load but before all rounds fired
 CEASELOAD = Ceaseload received after load but before all rounds fired
- 4 Blank field 4 indicates that none of the following apply
 SHOT = AFCS requires notification of round fired
 READY = AFCS requires notification of operator ready to fire
- 5 Blank field 5 indicates that none of the following apply
 CLEAR = AFCS requires notification of tube clear
 OTHER VLY = Other volley information is available for operator viewing
- 6 Blank field 6 indicates that fire mission is not active
 ABORT = Fire mission other than direct or manual active
 EOM = Direct or manual mission active
- 7 "MV" = A valid MV was received from the MVS
 "BAD MV" = An MV message was received from the MVS, but the data was not valid
 "NO MV" = No MV message was received from the MVS

The following alerts shall appear if the operator presses the LOAD or LAY keys and the tube transitions across the minimum quadrant elevation:

"MINIMUM QE VIOLATED" "ACK" - The gun tube has violated minimum QE entered by the operator.

"MINIMUM QE NO LONGER VIOLATED" "ACK" - The gun tube no longer violates the minimum QE entered by the operator.

A type 2 audio alert shall be generated until the "ACK" key is pressed.

M-4 PDFCS OPERATING CONTROLS AND INDICATORS - CONTINUED

OTHER VOLLEY			
(1)	VLY2/2		
RNDS	SHELL -	LOT	
PROP	LOT	CHG	
FUZE -	/CC	SETTING	
			PRESS CANCEL TO RETURN TO CURRENT FIRE DISPLAY
			CANCEL

06pc243t

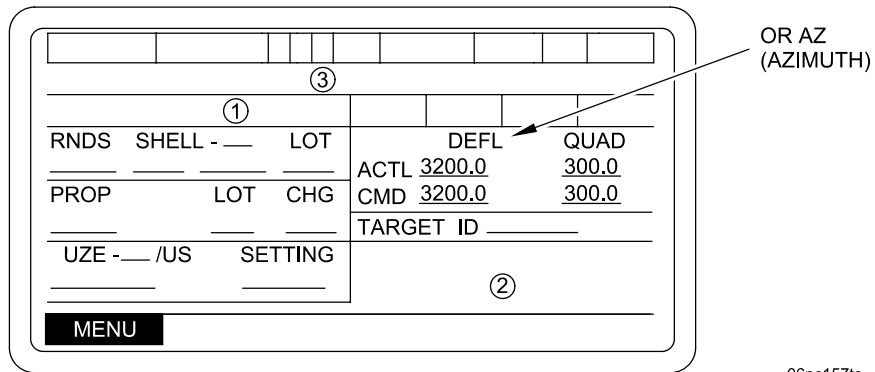
Listed below are the legal values for each field of the OTHER VOLLEY display:

- RNDS = 1..99
- SHELL = Shell model and mnemonic
- SHELL LOT = A..Z
- PROP = Propellant model
- PROP LOT = A..Z
- CHG = Propellant charge designator
- FUZE = Fuze model, Country and mnemonic
- SETTING = Computed fuze setting, "PD" or "DELAY"

Instructions which could appear on the OTHER VOLLEY display:

- (1) Blank field 1 = Fire mission is not a sheaf
- SHEAF PT = This gun is participating in a multigun sheaf
- SHEAF a/b = This gun is conducting a single gun sheaf where:
 - a = Current aimpoint number
 - b = Number of sheaf points

M-4 PDFCS OPERATING CONTROLS AND INDICATORS - CONTINUED



06pc157tc

Listed below are the legal values for each field of the SECTION IN ORDER display:

- RNDS = Number of rounds remaining to fire 0..99 or blank
- SHELL = Shell model and mnemonic or blank
- SHELL LOT = A..Z or blank
- PROP = Propellant model
- PROP LOT = A..Z or blank
- PROP CHG = Propellant charge designator (see Table M-1) or blank
- FUZE = Fuze model and mnemonic
- FUZE SETTING = Computed fuze setting, "PD" or "DELAY"
- DEFL (or AZ) = 0.0..6399.9 mils
- QUAD = -200.0..+1600.0 mils
- TARGET ID = FPF/PRI target identification if a target exists; otherwise blank

M-4 PDFCS OPERATING CONTROLS AND INDICATORS - CONTINUED

Instructions and warnings which could appear on the SECTION IN ORDER display:

- ① Blank
 COMPUTING FPF/PRI
 NO FPF/PRI EXISTS
 UNABLE TO COMPUTE
 SECTOR VIOLATION
 MASK VIOLATION
 INSUFFICIENT AMMO
 NO FUZE INVENTORY
 NO PROJ INVENTORY
 NO PROP INVENTORY
 BAD PROJ LOT/MODEL
 NO AMMO INV COMBO
 INVALID AMMO COMBO
 INSUFFICIENT RANGE
 NO SOLUTION
 NOT FFE TYPE MISSION
 UNASSIGNED FPF/PRI
 TARGET TOO CLOSE
 TUBE EL VIOLATION

- ② SECTION IN ORDER AT FIRE POINT
 SECTION IN ORDER WITHIN FIRE AREA
 SECTION IN ORDER IN ROUTE POINT (Only displayed when the destination is not reached for a Fire Point or a Fire Area)

- ③ DO NOT MOVE/DO NOT LOAD
 DO NOT MOVE
 MOVES ALLOWED
 MOVES ALLOWED DO NOT LOAD

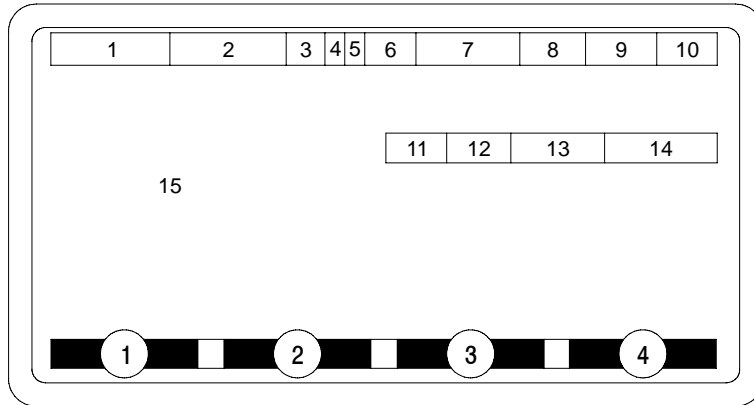
Table M-1 Charge Displayed Based on Propellant Model

Charge Displayed	Based on propellant model
3G, 4G, 5G	M3, M3A1, M3A1BG, M3C2, DM62
3G, 4G, 5G, 6G	MLE56
6W, 7W, 8W, 9W, 9BW	MLE69
3W, 4W, 5W, 6W, 7W	M4A1, M4A2, M4C3, M4C4, DM42, DM42B1, NM23
8	M119A1, EBO-5
7R	M119A2, M119A2BG, NR13C1
8R	M203
8S	M203A1
1L, 2L	M231
3H, 4H, 5H	M232

M-4 PDFCS OPERATING CONTROLS AND INDICATORS - CONTINUED

(16) Field 16, Function Key Label - This block is used to identify the function of the four soft keys.

Soft key messages and task actions are also displayed in this area to give the PDFCS operator a means of keeping track of various PDFCS related actions during Fire Control operation. Typical messages are shown below:



06pc088m

- ① Function Key 1, indicates what may appear in this field.
 SELECT
 NEXT MSG
 +/-
 MARK
 ADJ
 PREV
 MENU
 VERIFY
 PREV
- ② Function Key 2, indicates what may appear in this field.
 USE ALL
 FINISHED
 NEXT PAGE
 +/-
 FINISHED
 USE LOCAL
 FFE1
 INVENTORY
 ARRIVED
 UPDATE EFC
 CLEAR
- ③ Function Key 3, indicates what may appear in this field.
 CHECK
 DELETE
 YES
 USE GPS
 EMPLACE
 STEERTO
 FFE2
 SEND
 CLEAR
 EXPECTED
- ④ Function Key 4, indicates what may appear in this field.
 CANCEL
 ACK
 EOM
 NO
 CONTINUE
 MOVING
 EXIT
 ABORT

URGENT MESSAGE

“AFCS CHECKFIRED”, “ACK”

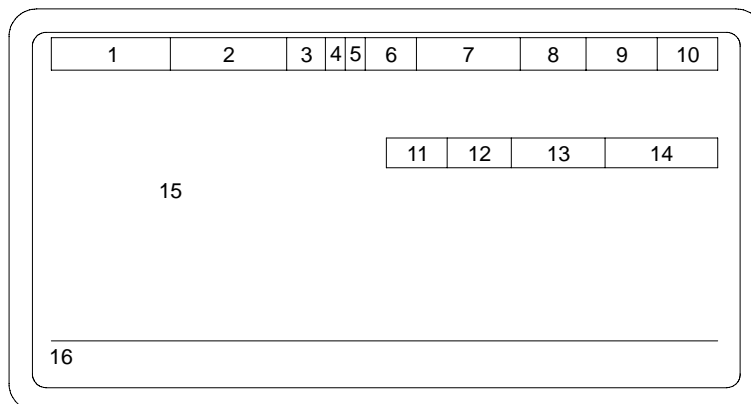
M-4 PDFCS OPERATING CONTROLS AND INDICATORS - CONTINUED

HIGH PRIORITY MESSAGES

"GUN SW FAULT", "ACK"
 "FIRE MISSION RECEIVED", "ACK"
 "POWER FAILURE SHUTDOWN", "ACK"
 "ON AUX POWER START VEHICLE", "ACK"
 "AUX BATTERY NOT CONNECTED", "ACK"
 "VEHICLE AND AUX POWER OK", "ACK"
 "NAV OUT-NSP POWER UP BIT", "ACK"
 "NAV EXCESSIVE RATE RESTART REQ", "ACK"
 "ALIGN ABORTED RESTART REQD", "ACK"
 "MAP UPDATED NAV UPDT REQUIRED", "ACK"
 "MAP/NAV CONFLICT UPDATE NAV", "ACK"
 "OVERRIDE AZ LIMITS", "YES", "NO"
 "NAV OUT-DRU BIT FAIL", "ACK"
 "NAV OUT-DRU DISCONNECT", "ACK"
 "NAV OUT-NSP DISCONNECT", "ACK"
 "AUX POWER LOW", "ACK"
 "FIRE MISSION RCVD", "ACCEPT", "REJECT"
 "MAP DATUM UPDATE REQUIRED", "ACK"
 "NAV OUT-DRU INERTIAL FAIL", "ACK"
 "NAV OUT-DRU OP FAIL", "ACK"
 "MOVE MISSION RECEIVED", "ACK"

LOW PRIORITY MESSAGES

"INVALID SOFTWARE CONFIGURATION", "ACK"
 "NAV POS UPDATE REQUIRED", "ACK"
 "NAV POS UPDATE NO LONGER REQ", "ACK"
 "ZUPT REQUIRED", "ACK"
 "ZUPT NO LONGER REQUIRED", "ACK"
 "MOTION DURING POS UPDATE", "ACK"
 "POS UPDATE INTERRUPTED", "ACK"
 "POS UPDATE N/E EXCESSIVE", "ACK"
 "POS UPDATE N/E RJTD", "ACK"
 "POS UPDATE ALTITUDE EXCESSIVE", "ACK"
 "POS UPDATE ALTITUDE RJTD", "ACK"
 "NAV RESTART RJTD VEH MOVING", "ACK"

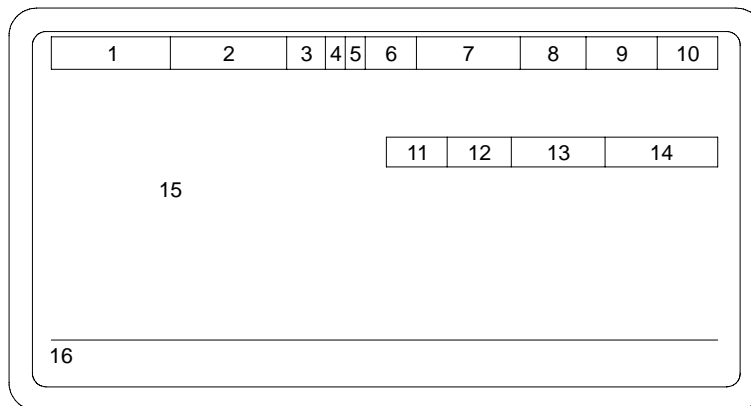


06pc088m

M-4 PDFCS OPERATING CONTROLS AND INDICATORS - CONTINUED

LOW PRIORITY MESSAGES - CONTINUED

"NET ADDR RJTD NEW SUBSBR FILE", "ACK"
 "INVALID OPERATIONAL MODE", "ACK"
 "NET CONFIG UPDTE RJTD FM ACTIVE", "ACK"
 "NET ADDR UPDTE RJTD FM ACTIVE", "ACK"
 "NAV RESTART RJTD FM ACTIVE", "ACK"
 "UPDATE RJTD WRONG NAV MODE", "ACK"
 "AFCS COMMO OUT XMIT RJTD:", "ACK"
 "CLOCK UPDATE RJTD FM ACTIVE", "ACK"
 "NAV RESTART RJTD BAD POS", "ACK"
 "WPN OUT", "ACK"
 "WC SUBSYSTEM OUT", "ACK"
 "TUBE TEMP SENSOR OUT", "ACK"
 "COMMO OUT", "ACK"
 "NETWORK COMMO OUT", "ACK"
 "POS UPDATE RJTD BAD POS", "ACK"
 "POS UPDATE RJTD HOWITZER MOVG", "ACK"
 "POS UPDATE RJTD FM ACTIVE", "ACK"
 "POS UPDATE RJTD VEH MOTION", "ACK"
 "RESTART RJTD NAV OUT", "ACK"
 "POS UPDATE RJTD WRONG NAV MODE", "ACK"
 "NET BUSY AMMO", "RETRY", "NO RETRY"
 "NET BUSY REQ AMMO", "RETRY", "NO RETRY"
 "NET BUSY CHECKFIRE", "RETRY", "NO RETRY"
 "NET BUSY DESIGNATE", "RETRY", "NO RETRY"
 "NET BUSY FREE TEXT", "RETRY", "NO RETRY"
 "NET BUSY VEH STS", "RETRY", "NO RETRY"
 "NET BUSY REQ VEH STS", "RETRY", "NO RETRY"
 "NET BUSY REQ INIT", "RETRY", "NO RETRY"
 "NET BUSY SITE DATA", "RETRY", "NO RETRY"
 "NET BUSY REQ SITE", "RETRY", "NO RETRY"
 "NET BUSY REQ MOV ORD", "RETRY", "NO RETRY"
 "NET BUSY MTO TOF", "RETRY", "NO RETRY"
 "NET BUSY MTO DENY", "RETRY", "NO RETRY"
 "POSITION UPDATE RJTD NAV OUT", "ACK"
 "NET BUSY REQ MVV", "RETRY", "NO RETRY"
 "NET BUSY MVV", "RETRY", "NO RETRY"

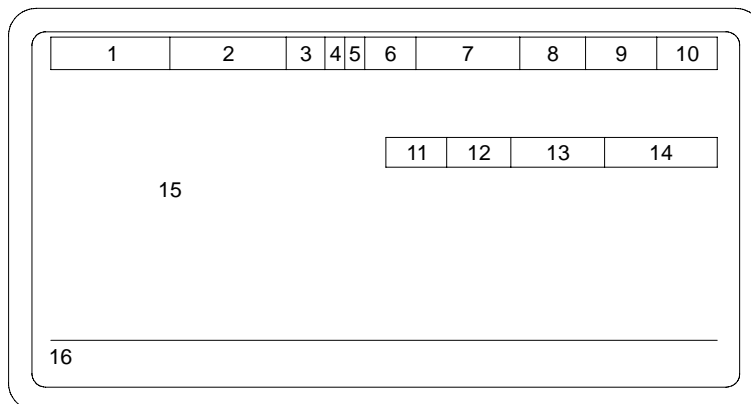


06pc088m

M-4 PDFCS OPERATING CONTROLS AND INDICATORS - CONTINUED

LOW PRIORITY MESSAGES - CONTINUED

"NET BUSY READY", "RETRY", "NO RETRY"
 "NET BUSY ROUND COMP", "RETRY", "NO RETRY"
 "NET BUSY SHOT", "RETRY", "NO RETRY"
 "NET BUSY SPLASH", "RETRY", "NO RETRY"
 "NET BUSY TARGET FILE", "RETRY", "NO RETRY"
 "NET BUSY UTE BAT", "RETRY", "NO RETRY"
 "NO ACK AMMO", "RETRY", "NO RETRY"
 "NO ACK REQ AMMO", "RETRY", "NO RETRY"
 "NO ACK CHECK FIRE", "RETRY", "NO RETRY"
 "NO ACK DESIGNATE", "RETRY", "NO RETRY"
 "NO ACK FREE TEXT", "RETRY", "NO RETRY"
 "NO ACK VEH STS", "RETRY", "NO RETRY"
 "NO ACK REQ VEH STS", "RETRY", "NO RETRY"
 "NO ACK VEH INIT", "RETRY", "NO RETRY"
 "NO ACK SITE DATA", "RETRY", "NO RETRY"
 "NO ACK REQ SITE DATA", "RETRY", "NO RETRY"
 "NO ACK REQ MOVE ORD", "RETRY", "NO RETRY"
 "NO ACK MTO TOF", "RETRY", "NO RETRY"
 "NO ACK MTO DENY", "RETRY", "NO RETRY"
 "NO ACK MVV", "RETRY", "NO RETRY"
 "NO ACK REQ MVV", "RETRY", "NO RETRY"
 "NO ACK READY", "RETRY", "NO RETRY"
 "NO ACK ROUND COMP", "RETRY", "NO RETRY"
 "NO ACK SHOT", "RETRY", "NO RETRY"
 "NO ACK SPLASH", "RETRY", "NO RETRY"
 "NO ACK TARGET FILE", "RETRY", "NO RETRY"
 "NO ACK UTE BAT", "RETRY", "NO RETRY"
 "PDI WARNING RECEIVED", "ACK"

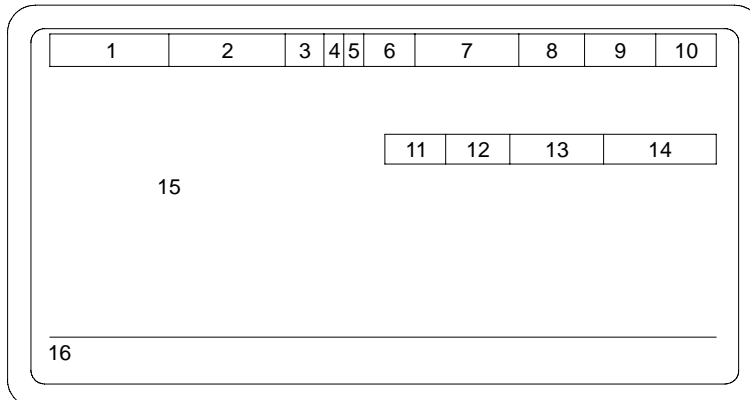


06pc088m

M-4 PDFCS OPERATING CONTROLS AND INDICATORS - CONTINUED

LOW PRIORITY MESSAGES-CONTINUED

"PROP TEMP UPDATE PENDED", "ACK"
 "AMMO INVENTORY UPDATE PENDED", "ACK"
 "SITE DEFINITION UPDATE PENDED", "ACK"
 "DIRECT FIRE RJTD NAV NOT INIT", "ACK"
 "DIRECT FIRE RJTD WPN OUT", "ACK"
 "DIRECT FIRE RJTD OUTSIDE MAP", "ACK"
 "DIRECT FIRE RJTD MAP PENDING", "ACK"
 "DIRECT FIRE RJTD IN CHECKFIRE", "ACK"
 "DIRECT FIRE RJTD FM ACTIVE", "ACK"
 "MANUAL COMMANDS RJTD FM ACTIVE", "ACK"
 "MANUAL COMMANDS RJTD CHECKFIRE", "ACK"
 "SIMULATED NAV FAILURE", "CLEAR"
 "SIMULATED ELECTRICAL FAILURE", "CLEAR"
 "SIMULATED HYDRAULIC FAILURE", "CLEAR"
 "SIMULATED COMMO FAILURE", "CLEAR"
 "SIMULATED WPN FAILURE", "CLEAR"
 "SIMULATED NAV FAILURE", "ACK"
 "SIMULATED ELECTRICAL FAILURE", "ACK"
 "SIMULATED HYDRAULIC FAILURE", "ACK"
 "SIMULATED COMMO FAILURE", "ACK"
 "SIMULATED WPN FAILURE", "ACK"
 "SIMULATED FAILURES CLEARED", "ACK"
 "MOVE RJTD DEST NOT IN MAP", "ACK"
 "MOVE RJTD NO MAP", "ACK"
 "MOVE RJTD MAP PENDING", "ACK"
 "PRESS ACK WHEN TUBE STOWED", "ACK"
 "VEHICLE MOTION SENSOR OUT", "ACK"
 "PDI OUT OR PDI BUS OUT", "ACK"
 "DIRECT FIRE RJTO TGT COMP ERR", "ACK"
 "NO BALLISTIC SOLUTION", "ACK"

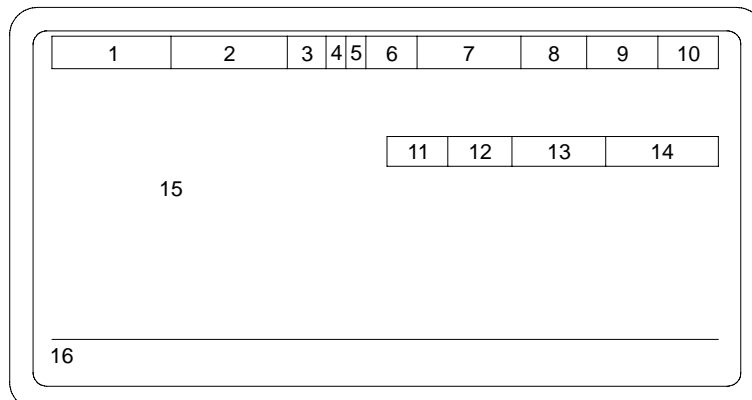


06pc088m

M-4 PDFCS OPERATING CONTROLS AND INDICATORS - CONTINUED

LOW PRIORITY MESSAGES-CONTINUED

"PROP TEMP UPDATE REQUIRED", "ACK"
 "VEHICLE MOTION SENSOR GOOD", "ACK"
 "DRU OVERTEMP", "ACK"
 "DRU NO LONGER OVERTEMP", "ACK"
 "ZONE BOUNDARY CROSSED", "ACK"
 "OK TO MOVE OR SHOOT", "ACK"
 "FIRE CONTROL ALIGN REQUIRED", "ACK"
 "EMBEDDED TRAINING OUT", "ACK"
 "INVALID SOFTWARE CONFIGURATION", "ACK"
 "MVS OUT OR MVS BUS OUT", "ACK"
 "MVB DATABASE ALMOST FULL", "ACK"
 "MVB DATABASE FULL DATA LOST", "ACK"
 "GPS OUT - PLGR DISCONNECT", "ACK"
 "GPS CONNECTED", "ACK"
 "GPS OUT - PLGR FAILED", "ACK"
 "GPS OPERATIONAL", "ACK"
 "GPS ANTENNA FAULT", "ACK"
 "GPS ANTENNA OK", "ACK"
 "PLGR UNKEYED", "ACK"
 "INP/GPS DELTA TOO LARGE", "ACK"
 "INP/GPS N/E EXCESSIVE", "ACK"
 "INP/GPS N/E REJECTED", "ACK"
 "INP/GPS ALT EXCESSIVE", "ACK"
 "INP/GPS ALT REJECTED", "ACK"
 "POSITION UPDATE BEYOND ZONE", "ACK"
 "BORESIGHT UPDT RJTD VEH MOVING", "ACK"
 "RESTART REQUIRED", "ACK"
 "POSITION UPDATE REQUIRED", "ACK"
 "DRU CONNECT", "ACK"
 "INSUFFICIENT Y CODE SVS", "ACK"
 "MINIMUM QE VIOLATED", "ACK"
 "MINIMUM QE NO LONGER VIOLATED", "ACK"
 "CHK DATABASE BAD DATA DETECTED", "ACK"
 "DUPLICATE IP ADDR", "ACK"
 "DUPLICATE IP ADDR SUBFIELD 4", "ACK"
 "DUPLICATE URN", "ACK"
 "DUPLICATE ADDRESS", "ACK"
 "SHUTDOWN TO RE-ENABLE COMMO", "ACK"
 "REUSED AFCS IP - POWERDOWN REQ", "ACK"



06pc088m

M-5 DC POWER MESSAGES.

Three Auxiliary Power messages can appear on any menu being displayed on the PDU. Operator actions for any message will be the same regardless of the menu on which it is displayed.

M-5.1 On Auxiliary Power.

If vehicle battery voltage drops to a point below that needed by the Power Conditioner Unit (PCU-2) to operate the PDFCS, the PCU-2 will automatically switch to auxiliary power (backup batteries) to maintain PDFCS operation. When the switch to auxiliary power occurs, an audible alert will be sounded over the intercom, and a visual alert will be displayed at the bottom of the menu.



Prolonged operation on auxiliary power may cause the PDFCS to shut down automatically.

At this time, the vehicle engine must be started to recharge the vehicle batteries.

The operator must press the soft key under ACK to silence the audible alarm and eliminate the message.

RNDS	SHELL-		LOT	DEFL	QUAD
				ACTL	3200.0
				CMD	300.0
PROP	LOT	CHG		TARGET ID	
FUZE -		/US	SETTING		
ON AUX POWER START VEHICLE				ACK	

06pc157td

M-6 PDFCS INITIALIZATION.

M-6.1 System Power-Up.

WARNING

When operating the PLGR on external power with BA-5800 lithium battery installed, the battery may explode. Ensure battery is removed before connecting power cable to prevent serious injury or death.

NOTE

- AFCS and PDFCS are used interchangeably when viewing PDFCS software screens. AFCS and PDFCS will appear in the on-vehicle software screens and the screens in the technical manual. PDFCS will be used within the text of the technical manual.
 - PMVS must be installed and connected prior to turning the vehicle MASTER power switch ON.
 - PLGR should be installed and powered prior to turning on the DU of the PDFCS keypad in order for the PDFCS to use the PLGR data.
 - The following steps must be completed prior to POWERING UP and INITIALIZATION of the PDFCS.
- a. Outside the howitzer:
 1. Left front drive sprocket must be within 1 meter of SCP.
 2. Gun tube in travel lock.
 3. PMVS connections verified.
 4. FM VOICE/DIGITAL Radio antennas are properly mounted, cables and ground connections verified.
 5. PLGR antenna cable connections verified.
 - b. Inside the howitzer:
 1. Turret lock in "LOCKED" position.
 2. 1553 BUS terminator connection verified.
 3. PLGR ground connection verified.
 4. PLGR installed.
 5. Set MASTER switch to ON.
 6. Ensure 10 PCU-2 switches are ON.
 7. Turn PLGR ON, FILL verified.
 8. Turn radios ON, and perform VOICE radio check.
 9. Idle engine at 1000 to 1200 RPMs.
 10. Make sure TRAINING switch on PDFCS keypad is OFF.

M-6 PDFCS INITIALIZATION - CONTINUED

M-6.1 System Power-Up - Continued

With the PLGR in the PLGR mount and all external cables attached, press the ON/BRT key on the PLGR key pad. The PLGR should power up automatically and perform its self-test (BIT). Operate the PLGR in accordance with the PLGR TM 11-5825-291-13.

If the PLGR does not have a current key (i.e. the PLGR was previously “zeroized”, newly installed or the key has expired), then load a valid key in accordance with the PLGR TM 11-5825-291-13, Section 3.6.

NOTE

To load a key, the DRUH must be off, or the P4 DRUH-PLGR Signal Connector must be disconnected to cause a PLGR COM FAIL. Simple re-attachment of P4 DRUH-PLGR Signal Connector after PLGR keying will automatically cause DRUH-PLGR communications to resume if DRUH is on.

If the PLGR antenna has a clear view of the sky, turn PLGR on.

If the antenna’s view of the sky is blocked (e.g. the vehicle is in a building, under tree cover or parked next to a large structure), move vehicle until the PLGR antenna is clear.

If the vehicle can not be moved, keep PLGR turned off until the vehicle can be moved to a location with a clear view of the sky.

NOTE

- If the PLGR is off, the Navigation System will still accept initialization data from the PDFCS for inertial operation and the Navigation System will operate as before.
 - Guidelines for conditions and times for the PLGR to obtain position data acceptable by the PDFCS.
- c. If the antenna has a clear view of the sky and PLGR has a valid position, current GPS time, current GUV key, and has stored a current satellite almanac, PLGR will be acceptable for use in about 3 minutes following the first turn-on of the day. It will take about 90 seconds for subsequent turn-ons. These are the normal operating conditions.
- d. If the antenna has a clear view of the sky and PLGR has a current GUV key but PLGR doesn’t have a valid position, current GPS time, or current satellite almanac, it may take up to 20 minutes after turn-on for the PLGR to output data of acceptable accuracy.

M-6 PDFCS INITIALIZATION - CONTINUED

M-6.1 System Power-Up - Continued

- e. If the PLGR has a valid position, current GPS time, current key, and current satellite almanac, but the antenna is masked from a clear view of the sky when PLGR is turned on, it may take up to 20 minutes to get acceptable data after the vehicle is moved to a location with a clear view of the sky. This results from the PLGR initiating a search for all possible satellites if it can't lock on to those expected, for its current position, time, and almanac, within a reasonable time interval.
- f. If the PLGR doesn't have a current key, its data won't be acceptable for use by the PDFCS. However, assuming a clear view of the sky, it can be turned on to initialize position, time, and satellite almanac in about 20 minutes. Then when a valid key is located, the PLGR will be ready to go within three minutes.

NOTE

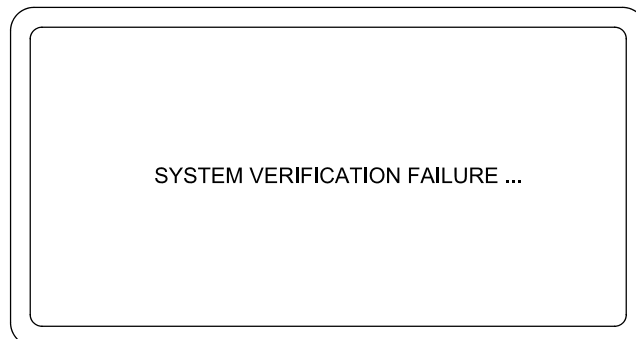
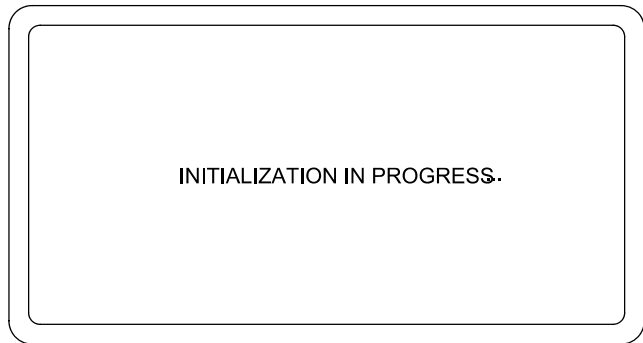
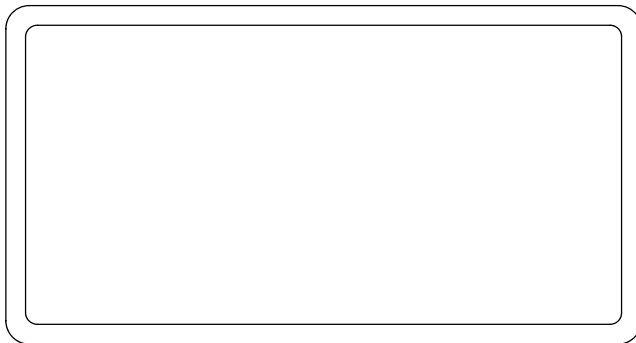
PMVS must be installed and connected prior to turning the vehicle MASTER power switch ON.

Make sure TRAINING switch on PDFCS keypad is OFF. Set circuit breaker on PDFCS CPU to ON. Press and hold POWER button to PDFCS PDU until LEDs illuminate. Set POWER switch on PDFCS keypad to ON. The normal PDFCS initialization screens will be displayed (see TM 11-7-10-326-10). In approximately 3 minutes the PDFCS window will open with a blank screen, followed by the POWER UP STATUS screen.

NOTE

- The time lapse between first three screens can range from 3 to 5 minutes.
- If screen stays blank for more than 7 minutes, power down system.

A SYSTEM VERIFICATION FAILURE screen may be displayed only if there is an incompatibility between hardware and software.



M-6 PDFCS INITIALIZATION - CONTINUED

M-6.1 System Power-Up - Continued

After the PDFCS powers up, the PLGR screen should read:

```
REMOTE CONTROL
Only ZEROIZE key
activated
```

At this point the PLGR key pad will become inactive. The only PLGR operation allowed using the key is EMERGENCY ZEROIZE.

If this message is not displayed on the PLGR screen, and the Low Priority Message "GPS OUT - PLGR DISCONNECTED" is not displayed on the PDU, ensure that the DRUH-PLGR Signal Connector (P4) plug on the W17A Cable is connected and secure. Once this PLGR screen is displayed, proceed with system initialization.

NOTE

- NAV SUBSYSTEM includes: VMS, DRUH, VMS Modems
- PCU-2 SUBSYSTEM includes: PCU-2 and both Back-up Batteries.
- The switches on the PCU-2 are circuit breakers. They should be left ON at all times, so they will not wear out from being turned off and on constantly.

This screen displays the subsystems that are checked by BIT. As the subsystems are checked, the dashed lines will change to a subsystem status (OK, DEGRADED, OUT, - -). The - - appears on the MVS status line when the PDFCS could not be connected to the MVS, on the PCU status line to indicate a PDCU failure that prevents PCU status from being determined, or on the keypad status line to indicate a PDCU failure that prevents KEYPAD status from being determined. This screen also identifies the system software version.

NOTE

PCU and PCU-2 are used interchangeably when viewing PDFCS software screens. PCU will appear in the software screens. PCU-2 will be used in the text portion of this technical manual when referring to the physical equipment.

PDFCS STATUS		
PDCU	SUBSYSTEM	--
NAV	SUBSYSTEM	--
WPN	SUBSYSTEM	--
MVS	SUBSYSTEM	--
PCU	SUBSYSTEM	--
KEYPAD	SUBSYSTEM	--

06pc071mb

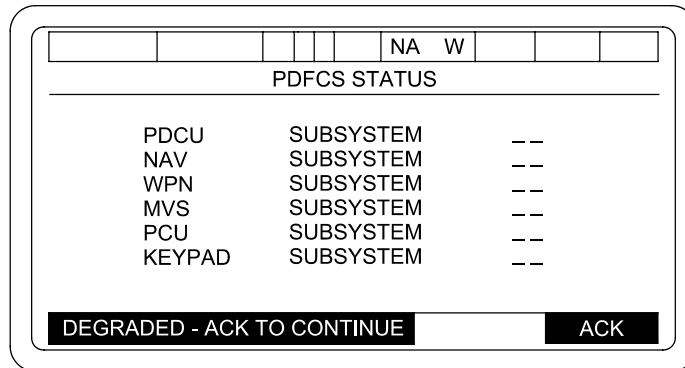
M-6 PDFCS INITIALIZATION - CONTINUED

M-6.1 System Power-Up - Continued

In the event of a failure during POWER UP STATUS, the message “DEGRADED - ACK TO CONTINUE” will be displayed on the bottom line of the PDU. To continue, depress soft key under ACK. After the self-test is complete, SELECT OPERATIONAL MODE menu is displayed.

NOTE

- The PDFCS GPS Synchronization box may be displayed, inhibiting use of the PDFCS keypad. To hide the box and enable the PDFCS keypad, right click on the “GPS” button on the Task Bar with the PDFCS keyboard mouse.
- If all systems are OK, the screen below will not be shown.

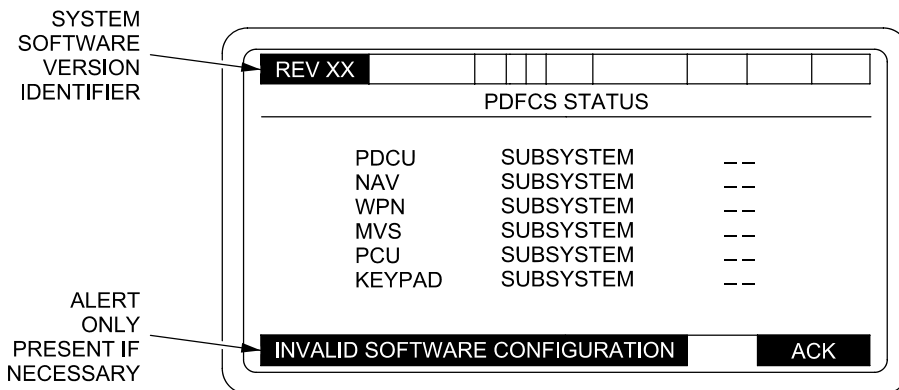


06pc072mc

NOTE

If PDU contains an incorrect configuration, the PDFCS will not allow the operator to select normal operations until a correct PDU software configuration is downloaded.

When configuration verification checking indicates that the executed software configuration is not the same as the acquired software configuration, a short error message “INVALID SOFTWARE CONFIGURATION”, “ACK” will appear on the soft key label line of the PDU.

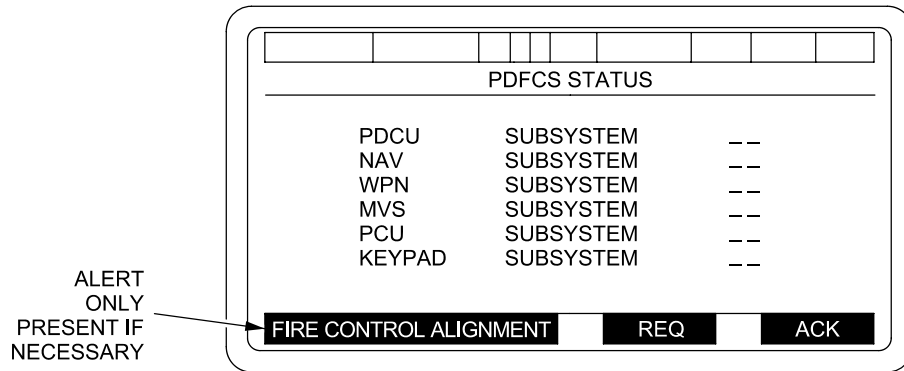


06pc073mg

M-6 PDFCS INITIALIZATION - CONTINUED

M-6.2 Initializing.

When a Fire Control Alignment is required by the PDFCS, the alert "FIRE CONTROL ALIGN" "REQ", "ACK" will appear on the soft key label line of the PDU. This alignment must be accomplished before INITIALIZATION of the PDFCS can be completed. If a full Fire Control Alignment including SYSTEM RESTART or Power Cycle is not completed when it is requested, the PDU FAULT lamps and ACU BIT lamp will illuminate and remain lit.



06pc072md

When the message is acknowledged, the PDFCS will proceed to the "SELECT OPERATIONAL MODE" menu. To view detailed software configuration information for each LRU, MAINTENANCE should be selected, IAW procedure in para M-9.1.

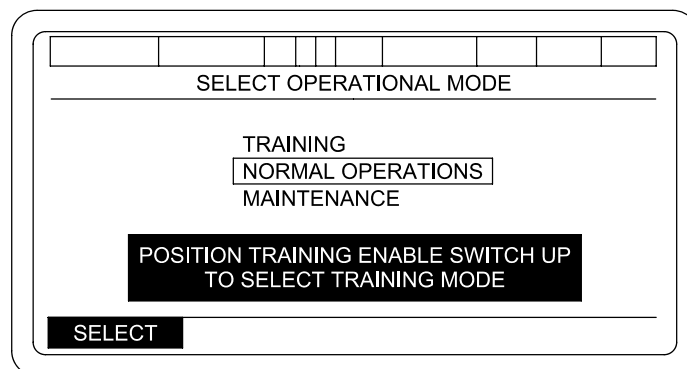
NOTE

After an orderly shutdown, go to para M-6.3. However, if a catastrophic failure happens within the system, follow the procedures below.

When initializing the PDFCS, communications parameters (NETWORK setup display) are entered to establish digital communications. Data to align the navigation system to a known location must also be entered at initialization. Other data to establish date/time, ammunition supply and propellant temperature, TOT response time, load elevation, and sector of fire must be entered before the initialization process is complete. All this data is input during NORMAL OPERATIONS Mode which is selected from the SELECT OPERATIONAL MODE menu.

NOTE

It is possible that an ALERT(S) may appear on the bottom line of the SELECT OPERATIONAL MODE screen. To continue, press the "ACK" soft key.



06pc094ma

M-6 PDFCS INITIALIZATION - CONTINUED

M-6.2 Initializing - Continued

- Mode Selection.** Set TRAINING ON/OFF switch to OFF when selection other than TRAINING is required. Box in NORMAL OPERATIONS mode. Press SELECT key. NETWORK menu will be displayed. The operator has the option of storing up to six NETWORK configurations.
- NETWORK display.** Upon initialization of a previously configured PDFCS, the display lists all previously configured network configurations.

Initialization of a virgin PDFCS, all Communications Configurations, "CFG", shall be set to "---" and all other columns will be blank.

Only one network configuration will be active at any one time. The active configuration is identified by the label "**ACTIVE*" in the "STATUS" column.

Inactive configurations do not have anything displayed in the "STATUS" column.

NETWORK					
CFG	STATUS	DEVICE	BAUD	COMSEC	MODE
8	*ACTIVE*	SINGGARS	4800N	CT	FH
---	---	---	---	---	---

SELECT FINISHED VIEW

06pc321t

TACFIRE configurations will not display anything in the "COMSEC" and "MODE" columns of the NETWORK screen.

188-220 communications configurations identify the Device, Baud Rate, COMSEC and Mode. 188-220 configurations with any customized values identify the Device as "CUSTOM/R" for Radio and "CUSTOM/W" for Two-Wire.

The PDFCS will not reorder network configurations as a result of deletions.

The "FINISHED" and "VIEW" soft keys are not visible unless at least one configuration is defined.

NETWORK					
CFG	STATUS	DEVICE	BAUD	COMSEC	MODE
3		SINGGARS	4800N	CT	FH
6		SINGGARS	1200N	CT	FH
6	*ACTIVE*	CUSTOM/R	1200N	CT	FH
10		CUSTOM/W	32000	PT	SC
0		TACFIRE	1200		
8		CUSTOM	9600N	CT	FH

SELECT FINISHED VIEW

06pc322t

M-6 PDFCS INITIALIZATION - CONTINUED

M-6.2 Initializing - Continued

Soft key sequencing shall be as follows:

- **SELECT** - If the highlighted configuration was previously defined, control transitions to Network Settings-Select Configuration Option display. If the highlighted configuration has not been defined, control transitions to NETWORK SETTINGS-STANDARD COMMUNICATION CONFIGURATION display.
- **FINISHED** - When the operator presses the "FINISHED" soft key the PDFCS stores all defined network configurations and control transitions to Normal Operational Initialization Display.
- **VIEW** - When the "VIEW" soft key is pressed and the currently selected network configuration has been defined, control transitions to the NETWORK SETTINGS display. If the currently selected network configuration has not been defined, the "VIEW" soft key is inactive.
- **CANCEL** - When the "CANCEL" soft key is pressed any defined configuration values are discarded.

NETWORK SETTINGS
SELECT CONFIGURATION OPTION

MODIFY

COPY

SELECT CANCEL

NETWORK SETTINGS
STANDARD COMMUNICATION CONFIGURATION

MORE ABOVE

5	SINGARS	1200N	NRZ	CT	SC
6	SINGARS	1200N	NRZ	CT	FH
7	SINGARS	2400N	NRZ	CT	FH
8	SINGARS	4800N	NRZ	CT	FH
9	2 - WIRE	1200	FSK -C	PT	SC
10	2 - WIRE	32000	CDP	PT	SC

SELECT CANCEL

06pc320t

M-6 PDFCS INITIALIZATION - CONTINUED

M-6.2 Initializing - Continued

c. Standard Communications Configurations.

NOTE

- If the Communication Configuration is not defined in NETWORK display, then configuration #8 will be the default boxed selection.
- If the Communication Configuration is defined in NETWORK display, then that configuration number is the default boxed selection.

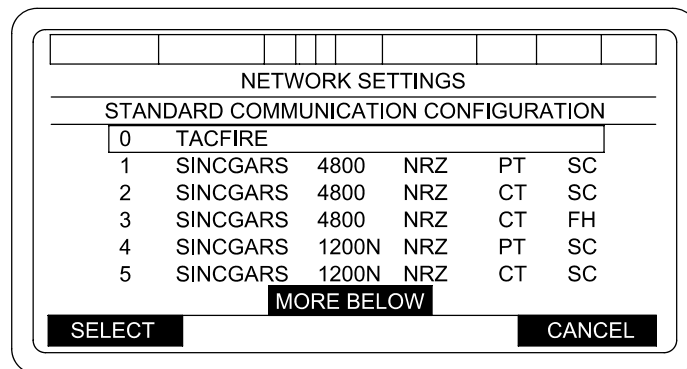
(1) PDFCS supports the following 11 predefined communications configurations:

Table M-2 Network Configurations

CONFIGURATION MODE	DEVICE	BAUD RATE	COMSEC	MODE	MODULATION
0	TACFIRE	4800	-----	-----	NRZ
1	Sincgars	4800	PT	SC	NRZ
2	Sincgars	4800	CT	SC	NRZ
3	Sincgars	4800	CT	FH	NRZ
4	Sincgars	1200N	PT	SC	NRZ
5	Sincgars	1200N	CT	SC	NRZ
6	Sincgars	1200N	CT	FH	NRZ
7	Sincgars	2400N	CT	FH	NRZ
8	Sincgars	4800N	CT	FH	NRZ
9	2-Wire	1200	PT	SC	FSK-C
10	2-Wire	32000	PT	SC	CDP

(2) Soft key sequencing shall be as follows:

- **SELECT** - Selects the currently boxed selection. If the currently boxed selection is Communication Configuration 0, control transitions to TACFIRE NETWORK SETTINGS. If the currently boxed selection is Communication Configuration 1 to 10, control transitions to 188-220 NETWORK SETTINGS.
- **CANCEL** - If the operator presses CANCEL the current display transitions to the previous display.



06pc319t

M-6 PDFCS INITIALIZATION - CONTINUED

M-6.2 Initializing - Continued

d. Network Settings-Select Configuration Option.

(1) Soft key sequencing shall be as follows:

- **SELECT** - Selects the currently boxed selection. Transition of control depends upon the selected menu.
- **CANCEL** - Allows the operator to discard any changes made. When pressed, any changes made to the current network configuration is discarded and control transitions to NETWORK display.

(2) **MODIFY** selection - Allows the operator to modify the current network configuration. If the current protocol is 188-220, then control transitions to 188-220 NETWORK SETTINGS. If the current protocol is TACFIRE, then control transitions to TACFIRE NETWORK SETTINGS.

(3) **SET ACTIVE** Selection

NOTE

SET ACTIVE selection will not be displayed if the current configuration is the active.

This selection allows the operator to set the current network configuration as the ACTIVE configuration. The following operator prompts are displayed: "SET ACTIVE?" "YES" "NO"
If NO is selected, no changes will be made.

If YES is selected, then the display will transition as follows:

If the current protocol is TACFIRE, then control shall transition to TACFIRE NETWORK SETTINGS.
If the current protocol is 188-220, then control shall transition to display 188-220 NETWORK SETTINGS CONFIGURATION.

(4) **COPY** selection

NOTE

COPY selection will not be displayed if all six network configurations have been defined.

Allows the operator to copy the current configuration into the first empty network configuration. The following operator prompt shall be displayed:

"USE ALL AND COPY?" "YES" "NO"

If NO is selected, no changes will be made.

If YES is selected, the current configuration copies into the first undefined network configuration. Control then transitions to the NETWORK display.

The screenshot shows a terminal window titled "NETWORK SETTINGS" with a subtitle "SELECT CONFIGURATION OPTION". Below the subtitle, there are two menu items: "MODIFY" and "COPY". At the bottom of the screen, there are two soft keys: "SELECT" and "CANCEL".

The screenshot shows a terminal window titled "NETWORK SETTINGS" with a subtitle "SELECT CONFIGURATION OPTION". Below the subtitle, there are four menu items: "MODIFY", "SET ACTIVE", "COPY", and "DELETE". At the bottom of the screen, there are two soft keys: "SELECT" and "CANCEL".

06pc318t

M-6 PDFCS INITIALIZATION - CONTINUED

M-6.2 Initializing - Continued

(5) DELETE selection

NOTE

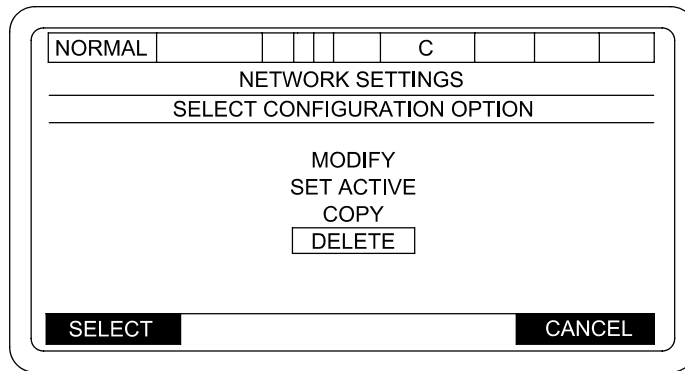
DELETE selection will not be displayed if the current configuration is the active configuration.

Allows the operator to delete the current network configuration. The following message shall be displayed:

“DELETE NETWORK?” “YES” “NO”

If NO is selected, no changes will be made.

If YES is selected, the current configuration is deleted and control transitions to the NETWORK display.



06pc317t

e. Network Settings-188-220C Protocol.

NOTE

- Each selection that requires configuration is marked with an asterisk. The default boxed shall be the first asterisked selection. If there are no asterisked selections, the default boxed selection is Net Type when the display is entered.
- The following values are required: “Net Type” and “Edit Addresses”. If the “Net Type” is not defined, the “Edit Addresses” selection shall not be visible to the operator. The address definition depends on the “Net Type” value.
- If the “Configuration Mode” is set to “Basic”, the “Advanced Settings” selection will not be visible. If the “Configuration Mode” is set to “Advanced” and any “Advanced Settings” have been customized, the “Communication Configuration” value will be displayed as “CUSTOM-XX” where “XX” is the original Communication Configuration number.

M-6 PDFCS INITIALIZATION - CONTINUED

M-6.2 Initializing - Continued

SELECT soft key when the following selection is boxed:

188 - 220 NETWORK SETTINGS									
COMMUNICATION CONFIGURATION								8	
NET TYPE								4	
EDIT ADDRESSES									
NUMBER OF STATIONS								10	
USE NET BUSY DETECT								YES	
INTRANET RELAYER								DISABLED	
N - LAYER PASS THROUGH								FDC ONLY	
CONFIGURATION MODE								BASIC	
SELECT		USE ALL			VIEW			CANCEL	

06pc316t

- (1) Communication Configuration selection - Allows the operator to change the current Communication Configuration. The following message shall be displayed:
 "CHANGE COMM CONFIG?" "YES" "NO".
 If NO is selected, no changes will be made.
 If YES is selected, the NETWORK SETTINGS-STANDARD COMMUNICATION CONFIGURATION screen will be displayed.
- (2) Net Type Selection - Prompts the operator to enter a value for the "NET TYPE". The valid range is 0 to 255.
 If the "Net Type" is modified and the "Configuration Mode" is set to "Advanced", then default subscriber addresses shall be updated.
 If any address becomes a duplicate of another address as a result of changing the "Net Type", the following message will be displayed:
 "DUPLICATE IP ADDRESS" "ACK"
 If a duplicate address is detected, the "Edit Addresses" selection is marked with an asterisk.
- (3) Edit Addresses selection - Allows the operator to modify the network addresses. If the "Configuration Mode" is set to "Basic", then control transitions to 188-220 Network Addresses (Basic). If the "Configuration Mode" is set to "Advanced", then control transitions to 188-220 Network Addresses (Advanced).

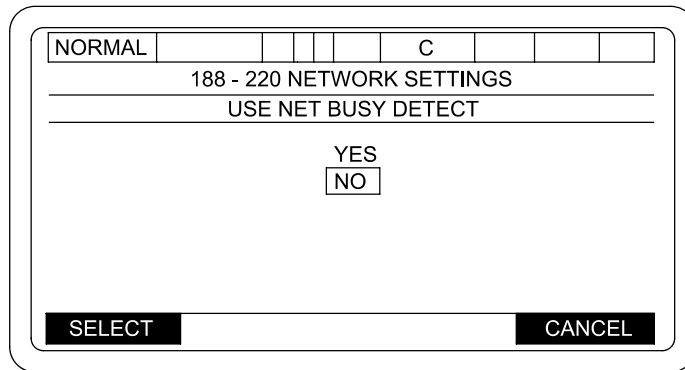
NORMAL									C
	URN						RANK		
PALADIN	1	2	3	4	5	6	7		22
FDC(P)		5	6	4	7	3			2
FDC(B)	-----								---
SUB(1)	-----								---
SUB(2)	-----								---
SUB(3)	-----								---
CONTROL		FDC (P)							
SELECT		USE ALL			DELETE			CANCEL	

06pc315t

M-6 PDFCS INITIALIZATION - CONTINUED

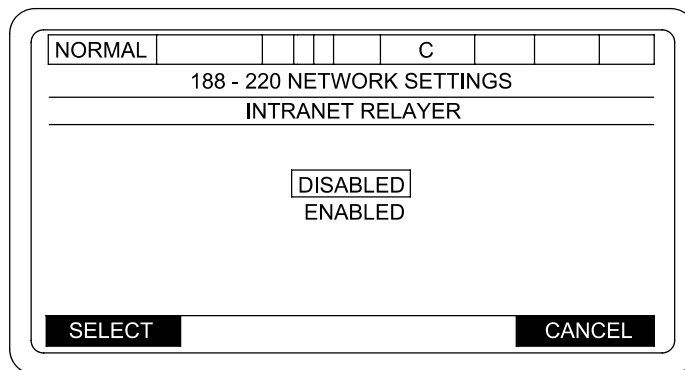
M-6.2 Initializing - Continued

- (4) Number of Stations selection - Prompts the operator to enter a value for "NUMBER OF STATIONS". The valid range is 2 to 31 for previously undefined configurations. If the configuration has been previously defined, the valid range shall be XX to 31 where XX is equal to the highest current Rank that was selected.
- (5) Use Net Busy Detect selection - If the installed TCIM is not capable of performing Net Busy Detection function, the following message shall be displayed:
 "NOT SUPPORTED BY THIS TCIM", "ACK".
 If the installed TCIM supports Net Busy Detect and allows the operator to select either "YES" or "NO" by pressing the SELECT soft key.
 If Use Net Busy Detect is modified when the Configuration Mode is set to "Advanced", then the value of Busy Detect Override will be set to default value for current settings of Device, COMSEC, Mode, Modulation, Baud Rate and EDC.



06pc314t

- (6) Intranet Relay selection - Control transitions to a screen titled "188-220 NETWORK SETTINGS - INTRANET RELAYER" and allows the operator to select either "Enabled" or "Disabled" by pressing the SELECT soft key.

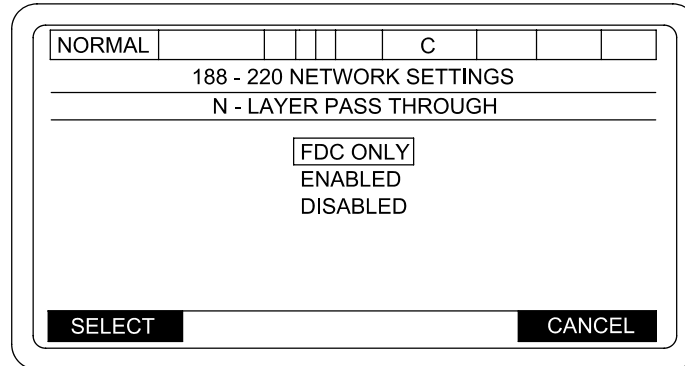


06pc313t

M-6 PDFCS INITIALIZATION - CONTINUED

M-6.2 Initializing - Continued

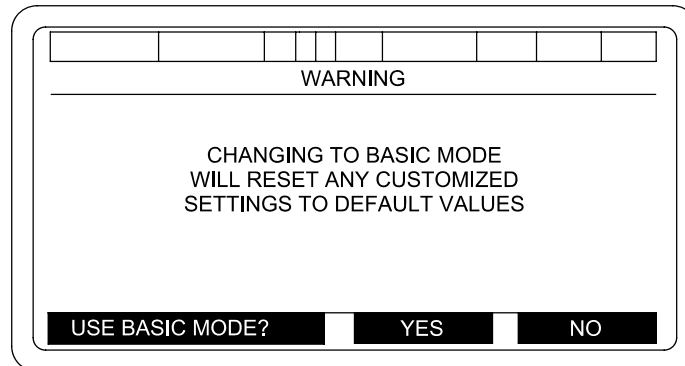
- (7) N-Layer Pass Through selection - Control transitions to 188-220 NETWORK SETTINGS - N-LAYER PASS THROUGH and allows the operator to select "FDC Only" "Enabled" or "Disabled" by pressing the SELECT soft key.



06pc312t

- (8) Configuration Mode selection

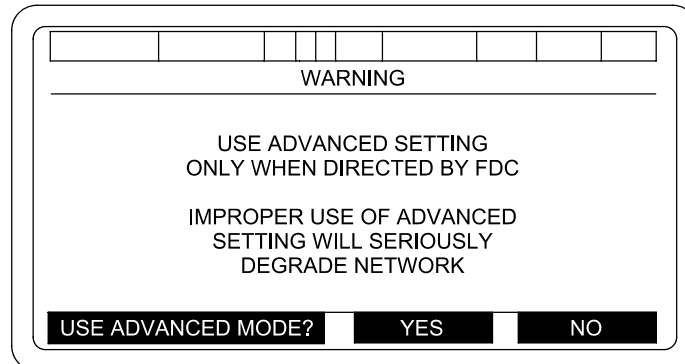
If the current Configuration mode is set to "Basic", the following **WARNING** screen is displayed:



06pc310t

If the operator presses "YES", Configuration Mode changes to "Advanced".
If the operator presses "NO", Configuration Mode remains set to "Basic".

If the current Configuration Mode is set to "Advanced", the following **WARNING** screen is displayed:



06pc311t

If the operator presses "YES", the "Configuration Mode" shall be changed to "Basic".
If the operator presses "NO", the "Configuration Mode" shall remain set to "Advanced".

M-6 PDFCS INITIALIZATION - CONTINUED

M-6.2 Initializing - Continued

(9) Advanced Settings selection



- Modification and use of Advanced settings should only be performed at the direction of FDC. Improper use of Advanced settings will seriously degrade network.
- Advanced Setting changes are not authorized by the user unless directed by FDC. Failure to comply could result in system degradation.

When Advanced Setting is selected, control transitions to Advanced 188-220 Protocol Settings.

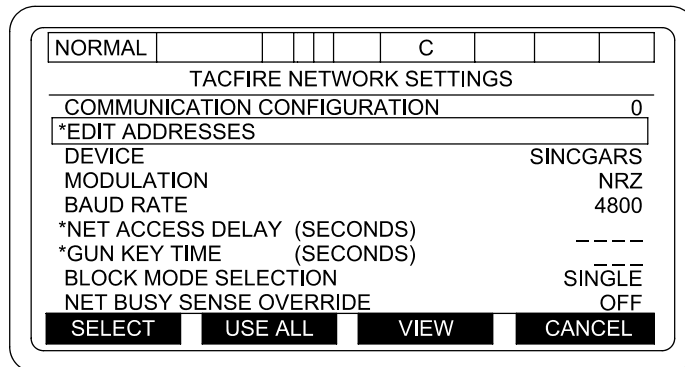
f. Network Settings-TACFIRE Protocol.

NOTE

- Each selection that requires configuration shall be marked with an asterisk. The default boxed will be the first asterisked selection. If there are no asterisked selections, the default boxed selection shall be Edit Addresses when the display is entered.
- The following values are required: "Edit Addresses", "Net Access Delay (Seconds)", and "Gun Key Time (Seconds)".
- If the "Device" value is modified and the current "Modulation" becomes invalid, the "Modulation" is set to a default value. If the "Modulation" value is modified or changed because "Device" was modified and the "Baud Rate" value becomes invalid, the "Baud Rate" is set to a default value based on "Device" and "Modulation" setting:

Pressing CANCEL soft key transitions to TACFIRE NETWORK SETTINGS display without changing the selection value. Invalid combinations will not be selectable.

SELECT soft key when the following selection is boxed:



06pc307t

M-6 PDFCS INITIALIZATION - CONTINUED

M-6.2 Initializing - Continued

- (4) NET ACCESS DELAY (SECONDS) selection - Selects proper transmission delay time to maintain network access order assigned to various subscribers. To enter a new NET ACCESS DELAY TIME box in new time. The operator is then prompted to enter a value for the "NET ACCESS DELAY" in seconds. The valid range is 0.5 seconds to 49.5 seconds in 0.5-second increments.

The screenshot shows a terminal window with the following text:

```

NORMAL | | | | | C | | | | |
TACFIRE NETWORK SETTINGS
COMMUNICATION CONFIGURATION 0
*EDIT ADDRESSES
DEVICE SINGGARS
MODULATION NRZ
BAUD RATE 4800
*NET ACCESS DELAY (SECONDS) [ ]
*GUN KEY TIME (SECONDS) [ ]
BLOCK MODE SELECTION SINGLE
NET ACC DEL : 0.5 TO 49.5 - PRESS ENT -
CANCEL
    
```

06pc305t

- (5) GUN KEY TIME (SECONDS) selections - Selects assigned transmit delay time. This stabilizes the communications link and allows radio to reach full transmit power before digital data message is sent. When GUN KEY TIME is selected from NETWORK SETTINGS menu, a GUN KEY TIME menu is displayed. Box in proper time. Press SELECT soft key. This will enter data and return to TACFIRE NETWORK SETTINGS menu (new GUN KEY TIME will be shown).

The screenshot shows a terminal window with the following text:

```

NORMAL | | | | | C | | | | |
TACFIRE NETWORK SETTINGS
GUN KEY TIME
0.0 SECONDS 0.2 SECONDS
0.7 SECONDS 1.4 SECONDS
2.1 SECONDS 2.8 SECONDS
4.0 SECONDS
SELECT CANCEL
    
```

06pc306t

M-6 PDFCS INITIALIZATION - CONTINUED

M-6.2 Initializing - Continued

- (6) **BLOCK MODE selection** - Selects single-block or double-block mode transmission of each data block. Double-block transmission provides for each block to be transmitted twice. When the **BLOCK MODE SELECTION** is selected, **TACFIRE NETWORK SETTINGS - BLOCK MODE** will appear with present block mode boxed in. After selection is made, **TACFIRE NETWORK SETTINGS** display will be shown with the new data in proper field. (Other data will remain unchanged). Double-block mode will be used when requested by Platoon Operations Center (POC).

The screenshot shows a terminal-style interface. At the top, there is a header bar with 'NORMAL' on the left and 'C' on the right, with several empty boxes in between. Below this is the title 'TACFIRE NETWORK SETTINGS' and the subtitle 'BLOCK MODE'. The main content area shows 'SINGLE' in a box, with 'DOUBLE' below it. At the bottom, there are two buttons: 'SELECT' on the left and 'CANCEL' on the right.

06pc303t

- (7) **NET BUSY SENSE OVERRIDE selection** - Used to force a message through when communication net is degraded or jammed (message traffic or noise is sensed by communications processor). Selecting **NET BUSY SENSE OVERRIDE (ON)** when other subscribers are transmitting can cause message errors in radio traffic, and denies the other subscribers access. Consult unit SOP for proper use of **NET BUSY SENSE OVERRIDE** and press **SELECT** key. A **TACFIRE NETWORK SETTINGS** menu will be displayed showing present status boxed in. After proper selection, **YES** or **NO** is made, new data will be shown in the proper field. (Other data remains unchanged.)

The screenshot shows a terminal-style interface. At the top, there is a header bar with 'NORMAL' on the left and 'C' on the right, with several empty boxes in between. Below this is the title 'TACFIRE NETWORK SETTINGS' and the subtitle 'NET BUSY SENSE OVERRIDE'. The main content area shows 'OFF' in a box, with 'ON' above it. At the bottom, there are two buttons: 'SELECT' on the left and 'CANCEL' on the right.

06pc304t

M-6 PDFCS INITIALIZATION - CONTINUED

M-6.2 Initializing - Continued

Soft key sequencing shall be as follows:

- USE ALL - If any selection is marked with an asterisk "*", the following message is displayed:
"CLEAR *ASTERISKS* TO CONTINUE" "ACK"
If all asterisks have been cleared, control transitions to NETWORK display.
- VIEW - Control transitions to display all protocol and address information for review using the same format as actual selection displays except fields cannot be selected.
- CANCEL - Discards any changes and control transitions to NETWORK display.

g. 188-220 Network Addresses (Basic).

NOTE

Each selection that requires configuration will be marked with an asterisk. The following values are required: PALADIN URN, PALADIN RANK, Controlling FDC URN, Controlling FDC RANK. Once the selection has been configured, the asterisk will be cleared.

SELECT soft key - Selects currently boxed selection. Transition of control depends on currently selected menu item as described below:

- (1) CONTROL Row selection - If current controlling FDC is the primary FDC, the following message is displayed:
"CHANGE TO BACKUP?" "YES" "NO"
If the current control FDC is the backup FDC, the following message is displayed:
"CHANGE TO PRIMARY?" "YES" "NO"
If NO is selected, no changes will be made.
If YES is selected, the controlling FDC value shall be toggled with its current state.
- (2) URN Column selection - Prompts the operator to enter a URN value ranging from 0 to 16,777,214. When the ENT key is pressed, the values shall be checked for duplicate URN values. If a duplicate value is found, the following message will be displayed:
"DUPLICATE VALUE-REENTER" "ACK"
Once the message is acknowledged, the operator is required to enter a new URN or press CANCEL soft key.

M-6 PDFCS INITIALIZATION - CONTINUED

M-6.2 Initializing - Continued

- (3) RANK Column selection - Prompts the operator to enter PDFCS station rank range 1 to 31. When the ENT key is pressed, values will be checked for duplicate Station Rank values. If a duplicate value is found within the current configuration, the following message will be displayed: "DUPLICATE VALUE-REENTER" "ACK"

	URN	RANK
PALADIN	1500	1
FDC(P)	3000	2
FDC(B)	-----	---
SUB(1)	-----	---
SUB(2)	-----	---
SUB(3)	-----	---

CONTROL **FDC (P)**

CHANGE TO BACKUP? **YES** **NO**

	URN	RANK
PALADIN	<input type="text" value="1500"/>	1
FDC(P)	3000	2
FDC(B)	-----	---
SUB(1)	-----	---
SUB(2)	-----	---
SUB(3)	-----	---

CONTROL FDC (P)

SELECT **USE ALL** **DELETE** **CANCEL**

06pc302t

NOTE

Once the message is acknowledged, the operator is required to enter a new Station Rank value or press CANCEL.

If the Rank entered exceeds the Number of Stations value, the Number of Stations shall be set to the Rank value entered and the following message shall be displayed: "NUMBER OF STATIONS SET TO XX" "ACK" where XX is the Rank value entered.

Soft key sequencing shall be as follows:

- **USE ALL soft key** - The following validity checks will be performed. If all are valid, control shall transition to 188-220 NETWORK SETTINGS. If any menu selections are marked with an asterisk "*", the following message will be displayed: "CLEAR *ASTERISKS* TO CONTINUE" "ACK"
 Address Completion Check - If a subscriber entry line has been incompletely defined (URN defined and Rank not defined, or Rank defined and URN not defined) then the following message will be displayed: "INCOMPLETE ADDRESS XXXXXX", "ACK"
 Where "XXXXXX" identifies the incomplete subscriber: "FDC(P)", "FDC(B)", "SUB(1)", "SUB(2)" or "SUB(3)".
- **DELETE soft key** - Allows the operator to delete the currently boxed URN or Rank. The following message will be displayed: "DELETE ADDRESS", "YES" "NO"
 If NO is selected, no changes will be made.
 If YES is selected, the current selection is deleted and its value displayed as a dashed value. Pressing the DELETE soft key when Control FDC selection is boxed will have no effect.
- **CANCEL soft key** - Discards any changes made to the addresses, control transitions to 188-220 - NETWORK SETTINGS.

M-6 PDFCS INITIALIZATION - CONTINUED

M-6.2 Initializing - Continued

h. TACFIRE Network Addresses.

Each selection that requires configuration is marked with an asterisk. The following values are required:

- PALADIN URN
- PALADIN Physical Address
- PALADIN Broadcast Address
- GUN
- Controlling FDC URN
- Controlling FDC Physical Address

SELECT soft key - Selects the currently boxed selection. Transition of control depends on currently selected menu item as described below:

- (1) CONTROL Row selection - If current controlling FDC is the primary FDC, the following message is displayed:
 "CHANGE TO BACKUP?" "YES" "NO"
 If the current controlling FDC is the backup FDC, the following message is displayed:
 "CHANGE TO PRIMARY?" "YES" "NO"
 If NO is selected, no changes are made.
 If YES is selected, the controlling FDC value will be toggled from its current state.
- (2) URN Column selection - Prompts the operator to enter a URN value. The valid range is 0 to 16,777,214. When the "ENT" key is pressed, the values are checked for duplicate URN values. If a duplicate value is found within the current configuration, the following message is displayed:
 "DUPLICATE VALUE-REENTER" "ACK"
 Once the message is acknowledged, the operator is required to enter a new URN value or press CANCEL soft key.
- (3) PHYSICAL Column Selection - Control transitions to NETWORK SETTINGS - TACFIRE ADDRESSES with currently selected subscriber identified in the subtitle.
- (4) BROADCAST Column Selection - Control transitions to NETWORK SETTINGS - TACFIRE ADDRESSES with PALADIN Broadcast Address identified in the subtitle.
- (5) GUN NUMBER Column Selection - Control transitions to NETWORK SETTINGS - GUN NUMBER.

NORMAL	URN	PHYSICAL	BROADCAST	GUN
PALADIN *	-----*	---*	---*	---
FDC(P) *	-----*	---	---	---
FDC(B)	-----	---	---	---
SUB(1)	-----	---	---	---
SUB(2)	-----	---	---	---
SUB(3)	-----	---	---	---
CONTROL	FDC (P)			
CHANGE TO BACKUP?		YES	NO	

NORMAL	URN	PHYSICAL	BROADCAST	GUN
PALADIN	16777214	D	C	1/2
FDC(P)	*-----*	---	---	---
FDC(B)	-----	---	---	---
SUB(1)	-----	---	---	---
SUB(2)	-----	---	---	---
SUB(3)	-----	---	---	---
CONTROL	FDC (P)			
SELECT	USE ALL	DELETE	CANCEL	

06pc301t

M-6 PDFCS INITIALIZATION - CONTINUED

M-6.2 Initializing - Continued

Soft key sequencing shall be as follows:

- USE ALL** - If any selection is marked with an asterisk "*", the following message is displayed: "CLEAR *ASTERISKS* TO CONTINUE", "ACK"
 If a subscriber entry line is incompletely defined (URN defined and Address not defined, or Address defined and URN not defined) then the following message is displayed: "INCOMPLETE ADDRESS XXXXXX", "ACK"
 Where "XXXXXX" identifies the incomplete subscriber: "FDC(P)", "FDC(B)", "SUB(1)", "SUB(2)" or "SUB(3)".
 If all asterisks are cleared, the address information shall be saved and control transitions to TACFIRE NETWORK SETTINGS.
- DELETE** - Allows the operator to delete the currently boxed URN or address value. The following message will be displayed: "DELETE ADDRESS", "YES", "NO"
 If NO is selected, no changes are made.
 If YES is selected, current selection is deleted and its value displayed as a dashed value. Pressing the DELETE soft key when Control FDC selection is boxed will have no effect.
- CANCEL** - Disregards any changes made to the addresses and control transitions to TACFIRE NETWORK SETTINGS.

NORMAL	URN	PHYSICAL	BROADCAST	GUN
PALADIN *	-----	* ---	* --	* --
FDC(P) *	-----	* ---		
FDC(B)	-----	---		
SUB(1)	-----	---		
SUB(2)	-----	---		
SUB(3)	-----	---		
CONTROL FDC (P)				
CHANGE TO BACKUP?		YES	NO	

NORMAL	URN	PHYSICAL	BROADCAST	GUN
PALADIN	1 6 7 7 7 2 1 4	D	C	1/2
FDC(P)	* -----	* ---		
FDC(B)	-----	---		
SUB(1)	-----	---		
SUB(2)	-----	---		
SUB(3)	-----	---		
CONTROL FDC (P)				
SELECT	USE ALL	DELETE	CANCEL	

06pc3011

M-6 PDFCS INITIALIZATION - CONTINUED

M-6.2 Initializing - Continued

- k. Other Initialization Steps. When NETWORK has been initialized, a SETUP AND INFORMATION menu will be displayed. There are two pages to this menu. By pressing NEXT PAGE key, second page will be displayed.

NOTE

- Items marked with an * must be entered to complete initialization process. Without these data entries, the system will not be completely initialized and the PDFCS will not be able to receive a mission.
- The NAV UPDATE selection will be blank when a command has been sent to the navigation subsystem and has not yet been completed.
- When in a degraded mode, some items may not appear.
- If the PDFCS has a valid NVM the "FAST INIT" softy key shall be available during initialization. Pressing the "FAST INIT" soft key shall clear the * from the "FDC DATA XFER", "AMMO INVENTORY", "PROP TEMP", and "TOTAL RESPONSE" fields.

SETUP AND INFORMATION	
* SET DATE/TIME	* TOT RESPONSE
* FDC DATA XFER	* LOAD ELEVATION
* SPHEROID/DATUM	* SECTOR OF FIRE
* NAV UPDATE	RECEIVED MSG
* AMMO INVENTORY	WARNING MSG
* PROP TEMP	MAX TUBE EL
	SITE DATA
	SEND CHECKFIRE
SELECT	NEXT PAGE
	FAST INIT

06pc3271a

SETUP AND INFORMATION	
LAST MOVE ORDERS	STORED TARGETS
TUBE TEMPERATURE	PDFCS STATUS
NETWORK	DISPLAY FORMAT
RESET TCIM	DISPLAY INTENSITY
MUZZLE VELOCITY	MANUAL MOVE ORD
SYSTEM RESTART	GPS CONTROL
MAINTENANCE	RECORD OF FIRE
	FIRE MISSION MODE
SELECT	NEXT PAGE
	CANCEL

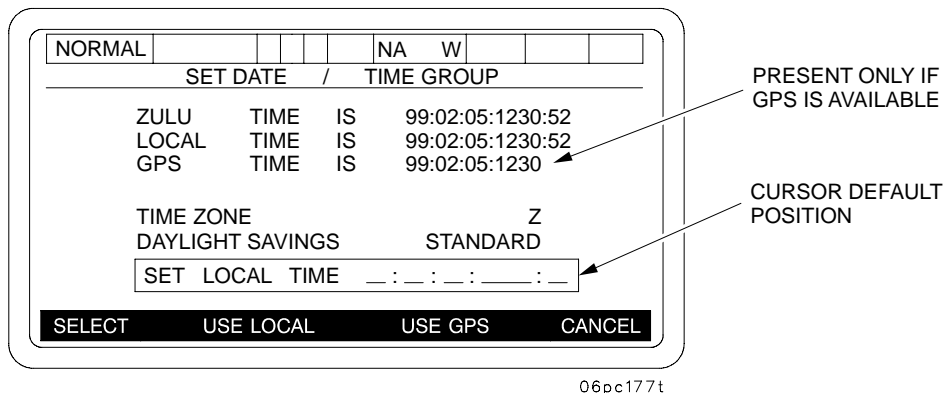
06pc2611a

M-6 PDFCS INITIALIZATION - CONTINUED

M-6.2 Initializing - Continued

Steps of other initialization data entry are done as follows:

- (1) SET DATE/TIME Group - This data is required for proper communications and is used for TOT data and other time related tasks and missions. From SETUP AND INFORMATION menu, box in SET DATE/TIME. Press SELECT key. This will cause a SET DATE/TIME Group menu to be displayed. If GPS data is available select "USE GPS". Note, GPS Time is ZULU (Greenwich Mean Time) when "USE GPS" selected, all times will be aligned to ZULU (Local ZULU and GPS). If GPS data is not available or if POC has instructed you not to use GPS proceed as follows:
 - (a) Enter two digits each for Year, Month, Date, Hour and Minute into boxed-in area.
 - (b) If a mistake is made prior to typing in all 10 digits, press CLR key and try again. If all 10 digits have been typed in, then menu will automatically show a SET DATE/TIME GROUP display with prompt.
 - (c) If incorrect data has been typed in after all 10 digits have been entered, press CANCEL key. This will return display to SET DATE/TIME menu. Then proceed with reentering correct data for Date/Time Group.
 - (d) To ensure proper time synchronization between the PDFCS and POC/FDC, a countdown to MARK should be controlled by the POC. If data is correct when MARK is announced by POC, press MARK key to start the clock. This will return the display to the SETUP AND INFORMATION menu.
 - (e) Date/Time setting on system - Defaults to system clock if no other input is entered in. FDC and the PDFCS messages will be rejected if more than 60 minutes difference between FDC time and PDFCS time has elapsed. Unit SOP needs to be in real Date/Time.



NOTE

Upon entering the Current DTG, Current Zulu, and Current GPS time, if available, shall be displayed to the operator. Operator must enter Time Zone, Daylight Savings and NEW DTG. The first time the PDFCS-XXI program is executed the Zulu and Local time will be calculated from the hardware clock.

M-6 PDFCS INITIALIZATION - CONTINUED

M-6.2 Initializing - Continued

SELECT TIME ZONE - ENTER SELECT TIME ZONE IN ACCORDANCE WITH UNIT SOP.

NORMAL [] [] [] [] NA W [] [] []

SELECT TIME ZONE

A	B	C	D	E	F	G
H	I	K	L	M	N	O
P	Q	R	S	T	U	V
W	X	Y	Z			

SELECT CANCEL

06pc178t

SELECT DAYLIGHT SAVINGS - ENTER SELECT DAYLIGHT SAVINGS TIME IN ACCORDANCE WITH UNIT SOP.

NORMAL [] [] [] [] NA W [] [] []

SELECT DAYLIGHT SAVINGS

STANDARD

1/2 HR AHEAD
1 HR AHEAD
2 HRS AHEAD

SELECT CANCEL

06pc179t

M-6 PDFCS INITIALIZATION - CONTINUED

M-6.2 Initializing - Continued

```

NORMAL | | | | | NA W | | | | |
-----
                SET LOCAL TIME
-----
ZULU   TIME   IS   99:02:05:1230
LOCAL  TIME   IS   99:02:05:1230
GPS    TIME   IS   99:02:05:1230

TIME ZONE                Z
DAYLIGHT SAVINGS        STANDARD
SET LOCAL TIME  __ : __ : __ : __

                ①
-----
                ②                                ③
    
```

06pc180t

①

TYPE IN NEW DTG - YY:MM:HHMM

= Shall appear below the SET LOCAL TIME row upon entry to display above menu. Operator must enter date in format displayed (YY:MM:DD:HHMM). Operator may press CLEAR any time to reset entry.

PRESS MARK TO SET LOCAL TIME

= Shall appear below the SET LOCAL TIME row upon entry of the last digit of the minute.

②

MARK

= The MARK key shall be displayed upon entry of the last digit of the minute. When the MARK key is pressed the Local Time shall be processed and returned to the SETUP AND INFORMATION menu.

INVALID DTG VALUE

ACK

= If an invalid DGT is entered, this error shall be displayed to the operator. Press "ACK" and re-enter the date and time.

③

CANCEL

= When PRESS MARK TO SET LOCAL TIME is displayed and the CANCEL key is pressed the SET LOCAL TIME entries shall be cleared and the operator shall be able to enter a new LOCAL TIME.

= When the CANCEL key is pressed under all other conditions to display the SETUP AND INFORMATION menu will be displayed.

Date/Time setting on System - Defaults to system clock if no other Input is recorded in FDC and PDFCS. Messages will reject if more than 60 minutes has elapsed. Unit SOP needs to be in real Date/Time.

M-6 PDFCS INITIALIZATION - CONTINUED

M-6.2 Initializing - Continued

NOTE

The FDC data transfer must be done each time you initialize the PDFCS, if the FDC/FDC is operational.

- (2) FDC DATA XFER - To get initialization data from the POC/FDC, box in FDC DATA XFER and then press SELECT key. This will cause a FDC DATA XFER menu to be displayed with INITIALIZATION already boxed and Operator Alert. Pressing YES key will send a request to POC/FDC for needed data. Data includes: Subscriber File Message, Map Modification Input Message, Computer Meteorological Message, and Registration Data Input Message. This ensures that operator can properly communicate with other subscribers and can compute fire mission accurately. If NO ACK REQ INIT is displayed, contact POC to ensure that proper initialization has taken place. Repeat procedure if required. When initialization is complete, press CANCEL key.

If FDC DATA XFER does not have an *, then pressing the SELECT key will cause a FDC DATA XFER menu to be displayed without INITIALIZATION boxed. Box in INITIALIZATION and press SELECT key to provide the Operator Alert. Pressing YES sends the request to POC/FDC as described above.

SETUP AND INFORMATION	
<ul style="list-style-type: none"> * SET DATE/TIME * FDC DATA XFER * SPHEROID/DATUM * NAV UPDATE * AMMO INVENTORY * PROP TEMP 	<ul style="list-style-type: none"> * TOT RESPONSE * LOAD ELEVATION * SECTOR OF FIRE RECEIVED MSG WARNING MSG MAX TUBE EL SITE DATA SEND CHECKFIRE
SELECT NEXT PAGE FAST INIT	

FDC DATA TRANSFER	
<p style="text-align: center;">SEND</p> <ul style="list-style-type: none"> PIECE STATUS SITE DATA MVV DATA AMMO STATUS GEOMETRIES RECORD OF FIRE 	<p style="text-align: center;">GET</p> <ul style="list-style-type: none"> INITIALIZATION MOVE ORDERS MVV DATA PIECE STATUS SITE DATA AMMO STATUS
SELECT	CANCEL

06pc323t

M-6 PDFCS INITIALIZATION - CONTINUED

M-6.2 Initializing - Continued

- (3) SELECT SPHEROID/DATUM - The FDC DATA XFER, INITIALIZATION data includes a SPHEROID/DATUM.

The screenshot shows a terminal window titled "SPHEROID/DATUM ENTRY". At the top, there are two rows of input fields: "NORMAL" followed by four empty boxes, and "C" followed by four empty boxes. Below this, the menu is divided into two sections. The first section has "SPHEROID" and "DATUM" on the left, "USRDEF" in the middle, and "GRID ZONE" on the right with a value of "1". The second section has "DATUM OFST X" and "SPHEROID" on the left, "+0.1 Y" and "MAJ 6378137 . 00" in the middle, and "+0.0 Z" and "MIN 6356752 . 31" on the right. At the bottom, there are three buttons: "SELECT", "USE ALL", and "CANCEL".

Annotations:

- NOTE 1 points to the "SPHEROID" field.
- NOTE 2 points to the "DATUM OFST X" field.
- NOTE 3 points to the "GRID ZONE" field.

06pc249t

Check to see if all the data is correct. If it is correct, press the USE ALL key, and proceed with the initialization. If an entry is not correct, select that field and make corrections.

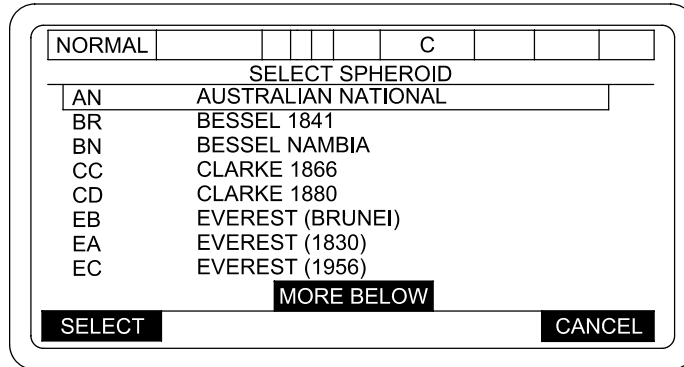
- NOTE 1 SELECTION OF THIS FIELD WILL DISPLAY SELECT SPHEROID MENU.
- NOTE 2 FIELD IS ONLY PRESENT IF USER DEFINED (USRDEF) DATUM IS USED.
- NOTE 3 WHEN GRID ZONE IS SELECTED THE FOLLOWING WILL BE DISPLAYED.

The screenshot shows a terminal window titled "SPHEROID/DATUM ENTRY". At the top, there are two rows of input fields: "NORMAL" followed by four empty boxes, and "C" followed by four empty boxes. Below this, the menu is divided into two sections. The first section has "SPHEROID" and "DATUM" on the left, "WE" in the middle, and "GRID ZONE" on the right with a value of "1". The second section has "TYPE GRID ZONE" and "1 TO 60" in the middle, and "- PRESS ENT KEY -" on the right. At the bottom, there is a "CANCEL" button.

06pc250t

M-6 PDFCS INITIALIZATION - CONTINUED

M-6.2 Initializing - Continued



06pc251t

When more than one page is required to display choices, scrolling shall be enabled and “MORE BELOW” or “MORE ABOVE” will be displayed.

Enter the defined SPHEROID, PRESS the SELECT SOFT KEY and the SELECT DATUM menu will be displayed. Refer to Tables in Appendix J.1 for SPHEROID listings.

SOFT KEY SEQUENCING SHALL BE AS FOLLOWS:

1. If **USRDEF** is boxed in and **SELECTED** then the **ENTER USER DEFINED SPHEROID MAJOR AXIS** menu will be displayed.
2. If any other **SPHEROID** is **SELECTED** then the **SELECT DATUM** menu will be displayed to force **SELECTION** of the **DATUM**.
3. If **CANCEL**, then the **SPHEROID/DATUM ENTRY** menu will be displayed.

Maps are based upon a “reference datum.” This is really the model of the Earth that the cartographer uses when making a map. The reference datum consists of two parts, the spheroids and the datum offsets.

The Earth is really not a perfectly round globe but is a little “fatter” at the equator. Therefore, the mapmaker uses a spheroid rather than a globe to describe the Earth’s shape. Instead of just using one radius as one would do to describe a globe, two values are used. The first is the semi-major axis. It is the radius of the Earth at the equator. The second number is the semi-minor axis. It is the distance from the center of the Earth to the poles. It is slightly smaller than the semi-major axis. (The WGS 84 model of the Earth uses a semi-major axis of 6,378,137 meters and 6,356,752 meters for the semi-minor axis).

The cartographer may choose to base his model of the Earth's surface using a center point that is different from the true center of the Earth. This offset of the center point is described by three “datum offset” values: delta X, delta Y, and delta Z. These values are typically a few hundred meters.

There are many standard spheroid and datums commonly used for maps. If the spheroid/datum is not supplied by a message from FDC, the PDFCS operator will be told to select a certain spheroid and datum at the display unit. The starting point for entering this data is the SPHEROID/DATUM ENTRY display.

The spheroid is selected using the SELECT SPHEROID sub-display. This display lists choices. It is possible to use spheroid values different from the ones in the display lists. The different values are entered as “user defined.” This is selected by the **USRDEF** option listed as a choice for a spheroid. If the operator selects **USRDEF**, other sub-displays prompt him to enter the semi-major and semi-minor axis. These values must be obtained from the POC and should only be used with guidance from Battery Commander.

M-6 PDFCS INITIALIZATION - CONTINUED

M-6.2 Initializing - Continued

NORMAL					C			
--------	--	--	--	--	---	--	--	--

ENTER USER DEFINED SPHEROID MAJOR AXIS

6378137.00

TYPE VALUE
BETWEEN 6376137.00 AND 6380137.00
- PRESS ENT KEY -

CANCEL

06pc252t

1. An unedited DATA fields remain at their current values when ENT is pressed.
2. Enter the appropriate value and press ENT key. The USER DEFINED SPHERIOD MINOR AXIS menu will be displayed.
3. If the CANCEL key is selected the SELECT SPHERIOD menu will be displayed.

NORMAL					C			
--------	--	--	--	--	---	--	--	--

ENTER USER DEFINED SPHEROID MINOR AXIS

6356752.31

TYPE VALUE
BETWEEN 6355477.00 AND 6358028.00
- PRESS ENT KEY -

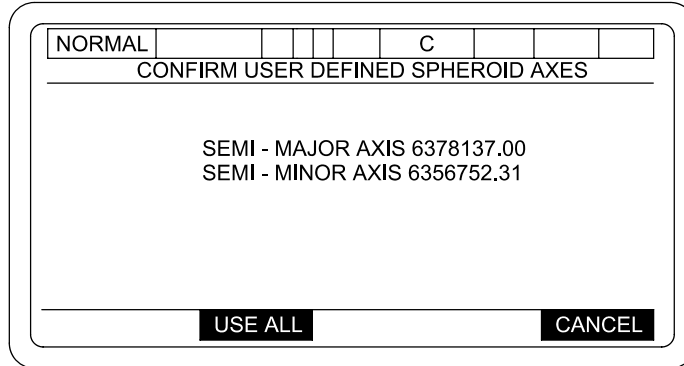
CANCEL

06pc252ta

M-6 PDFCS INITIALIZATION - CONTINUED

M-6.2 Initializing - Continued

1. An unedited DATA fields remain at their current values when ENT is pressed.
2. Enter the appropriate value and press ENT key. The CONFIRM USER DEFINED SPHERIOD AXIS menu will be displayed.
3. If the CANCEL key is selected the ENTER USER DEFINED SPHEROID MAJOR AXIS menu will be displayed.



06pc252tb

SOFT KEY sequencing shall be as follows:

If **CANCEL** , then ENTER USER DEFINED SPHERIOD MINOR AXIS menu will be displayed.

If **USE ALL** , then the SELECT DATUM menu will be displayed.

The datum offset is selected using the SELECT DATUM sub-display. This display lists valid choices listed by an alphabetical code. It is possible to use datum offset values different from the ones in the display lists. The different values are entered as "user defined". This is selected by the USRDEF option listed as a choice for datum offset. The datum offset values are entered using the ENTER USER DATUM PARAMETERS sub-display. The offset values are listed as DATUM OFFSET X, Y, and Z.

M-6 PDFCS INITIALIZATION - CONTINUED

M-6.2 Initializing - Continued

There is a restriction on the use of user defined spheroid and datum. The operator cannot use a new user defined spheroid if current spheroid selection is user defined. Likewise, the operator cannot select a new user defined datum selection if the current datum selection is user defined. If the operator wants to go from a user defined datum to a new user defined datum, the operator should simply select any standard datum and then enter the new user defined. Likewise, if the operator wants to go from a user defined spheroid to a new user defined spheroid, the operator should simply select any standard spheroid and then enter the new user defined.

When DATUM is selected, SELECT DATUM menu is displayed:

NOTE

The DATUMS available are dependant on the SPHEROID selected.

NORMAL					C			
SELECT DATUM								
BUR	BUKIT RIMPAH							
BAT	DJAKARTA BATAV							
GSE	GUNUNG SEGARA							
MAS	MASSAWA							
TOY-M	TOKYO (MEAN)							
USRDEF	USER DEFINED							
SELECT				CANCEL				

06pc253t

If **CANCEL** then the ENTER SPHEROID/DATUM ENTRY will be displayed.

When more than one page is required to display choices, scrolling shall be enabled and "MORE BELOW" or "MORE ABOVE" will be displayed.

Box in the correct DATUM and press the SELECT key. The DATUMS available are dependent on the SPHEROID selected. See Appendix J.1.

NOTE

The reference frame for UTM position coordinates is a DATUM. Typically, a local DATUM is defined by an ellipsoidal Earth model (SPHEROID) and a starting point (origin) for the coordinate system. Coordinates on a map or in a Trig list (SCPs) often are on a Local DATUM. An example of a Local DATUM is the North American 1927 (NAD 27) DATUM used in the United States.

M-6 PDFCS INITIALIZATION - CONTINUED

M-6.2 Initializing - Continued

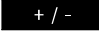


There have been many different Local DATUMs developed. GPS computes position on the World Geodetic System 1984 (WGS 84), a worldwide coordinate system. To use GPS with coordinates on a Local DATUM, the coordinates must be mathematically shifted. The PDFCS (DRUH and PLGR) can automatically perform DATUM shifting, but first the operator must select the Local DATUM to be used, or provide the appropriate shift parameters. For PDFCS operation, Local DATUMs are represented by two sets of parameters: the Local Ellipsoid (SPHEROID) and shift parameters as defined for each Local DATUM (DATUM IDs).

The FDC can provide the SPHEROID. The SPHEROID selected will determine which DATUM IDs will be available for selection. The PDFCS/FDC SPHEROID and DATUM TABLE provides the SPHEROID number for the PDFCS and FDC, which DATUM IDs are available for that SPHEROID number and the normal coverage area. Note that there may be more than one DATUM ID associated with a Local DATUM because the shifts vary by locality. For other DATUMs or areas outside the indicated coverage area, User Defined (USRDEF) Datum shifts may be entered manually. The table is not intended as an absolute. A map sheet will identify the DATUM name, Ellipsoid (SPHEROID) name and the coordinate type, or the map sheet will identify the area. The data from a Trig list should identify the same information. These parameters must be correlated to the DATUM ID. If the applicable DATUM hasn't been programmed in the PDFCS, shift parameters for many other DATUMs and regions have been published in DMA TR 8350.2 and may be entered thru the DATUM X, Y, and Z OFFSETs. Note that the PDFCS can not accept shift parameters for all DATUMs because its SPHEROID capability is limited to those listed in the PDFCS/FDC Table (Appendix J.1).

If the DATUM USRDEF is selected, then the DATUM X, Y, and Z offsets must be entered. These values must be obtained from the POC and should only be used with guidance from Battery Commander.

The ENTER USER DATUM PARAMETERS page should look like:

06pc254t

- When field selected:
TYPE OFFSET
BETWEEN -2000.0 AND +2000.0
-PRESS ENT KEY-
- When field selected: 
Otherwise: 
- When no fields are selected:
Otherwise: BLANK 

M-6 PDFCS INITIALIZATION - CONTINUED

M-6.2 Initializing - Continued

NOTE

- Any un-edited DATA fields remain at their current values when USE ALL KEY is pressed.
- SOFT KEY sequencing shall be as follows:

If **CANCEL** , then the SELECT DATUM menu will be displayed.

If **USE ALL** , then the SPHEROID/DATUM ENTRY menu will be displayed.

NOTE

If **CANCEL** is selected, all information up to this point will be deleted.

NORMAL					C			
SPHEROID/DATUM ENTRY								
SPHEROID		USRDEF		GRID ZONE				1
DATUM		USRDEF						
DATUM OFST X		+0.1 Y		+0.0 Z				+0.0
SPHEROID MAJ		6378137.00		MIN				6356752.31
SELECT			USE ALL			CANCEL		

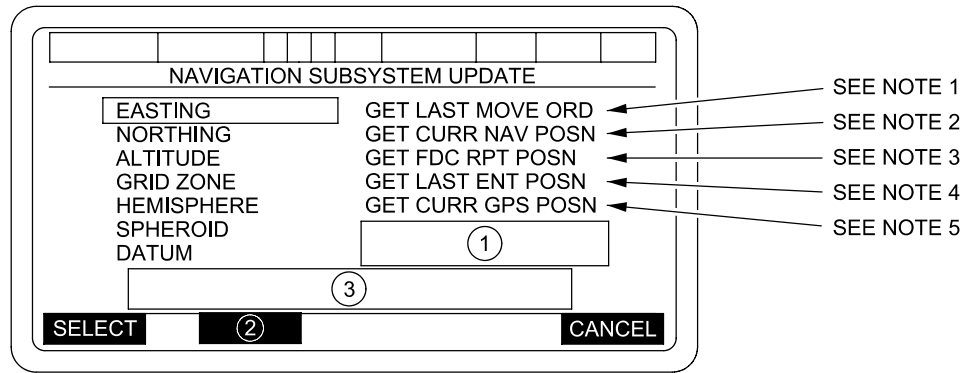
06pc270t

If **USE ALL** , all information will be locked in and the SETUP AND INFORMATION MENU will be displayed.

M-6 PDFCS INITIALIZATION - CONTINUED

M-6.2 Initializing - Continued

- (4) NAV UPDATE - Navigation Subsystem Update is performed as follows:
 - (a) With the Gun Tube in Travel Lock, park the howitzer at a known Survey Control Point (SCP) with the left sprocket within one meter of SCP.
 - (b) Box in *NAV UPDATE and press the SELECT soft key. This will bring up the NAVIGATION SUBSYSTEM UPDATE menu.



06pc188ta

NOTE

The datum to be used is selected from the SETUP AND INFORMATION menu (Enter MAP/DATUM menu)

- ① This field contains OPERATOR PROMPTS and selections which depend on the current status of the NAVIGATION SUBSYSTEM
- ② When ALTITUDE SELECTED - **+/-** otherwise - **USE ALL**
- ③ This field contains OPERATOR PROMPTS for updating the values of: EASTING, NORTHING, ALTITUDE, and GRID ZONE:

When EASTING is selected:
Type EASTING 0 to 999999
Press ENT key

When NORTHING is selected:
Type NORTHING 0 to 10000000
Press ENT key

When ALTITUDE is selected:
Type ALTITUDE -1,000 to 10,000
Press ENT key

When GRID ZONE is selected:
Type GRID ZONE 1 to 60
Press ENT key

HEMISPHERE = NORTH or SOUTH
SPHEROID = 1 . . 9 and A . . I and USRDEF (not modifiable by operator)
DATUM = See Table in Appendix J.1 (not modifiable by operator on this display)

M-6 PDFCS INITIALIZATION - CONTINUED

M-6.2 Initializing - Continued

NOTE 1: Blank if no Move Order occurred since the last power up of the PDFCS.

NOTE 2: Blank when Navigation Subsystem is not available.

NOTE 3: Available if position data has been sent from the FDC. Selection disappears when PDFCS operator performs Nav Update or Move Order.

NOTE 4: Last coordinates on which position update was performed. Blank if operator has pressed the ARRIVED key at a position area since the last position update.

NOTE 5: Field is blank when the following conditions exist:

- a. Navigation subsystem functionality not currently available.
- b. GPS position data not currently available from the Navigation subsystem.
- c. The GPS position data currently available has an estimated probable error greater than the navigation devices' "poor GPS data limit".

If the available GPS data has an estimated probable error greater than the Navigation device "Good GPS data limit", but less than or equal to the navigation device "Poor GPS data limit" when this menu item is selected, then the following alert will be placed on the soft key line:

USE DGRD GPS DATA? YES NO

If the YES soft key is pressed, then the available GPS data shall be used to update the listing, Northing, and Altitude fields on the menu. If the NO soft key is pressed, then the Easting, Northing, and Altitude fields on the menu will not be updated with the available GPS data.

NOTE

Use in accordance with unit SOP.

- (c) **RESTART REQUIRED** - This prompt will appear in field (1). With the gun tube in travel lock, the Howitzer must be positioned at a Survey Control Point (SCP) with the left front sprocket within one meter on the SCP. No selection of RESTART REQUIRED is required, it will happen automatically and a full alignment will be performed. Enter the SCP data of EASTING, NORTHING ALTITUDE and GRID ZONE. When all data is entered, double check the SCP coordinates and SPHEROID/DATUM, and HEMISPHERE displayed on the screen. If it is not correct, make any correction. If it is correct, press the USE ALL soft key. The following prompt will be displayed:

"NAV POSITION UPDATE ABOUT TO START" "ARE YOU SURE" "YES" "NO"

Press the "YES" soft key, and the Navigation Position Update will be started. The SETUP AND INFORMATION menu will appear. The prompt "CMD" will appear in field (6), and then be replaced by the Align Time to Go countdown. Proceed with the rest of Initialization.

- (d) **NAV POSITION UPDATE** - If this prompt is displayed in field (1), then only a Navigation Subsystem Position Update is required. With the gun tube in travel lock, the Howitzer must be positioned at a Survey Control Point (SCP), with the left front sprocket within one meter of the SCP. Enter the SCP data of EASTING, NORTHING and ALTITUDE. When all data is entered, double check the SCP coordinates and SPHEROID/DATUM, GRID ZONE and HEMISPHERE displayed on the screen. If it is not correct, make any correction. If it is correct, press the USE ALL soft key. The following prompt will be displayed:

"NAV POSITION UPDATE ABOUT TO START" "ARE YOU SURE" "YES" "NO"

Press the "YES" soft key, and the Navigation Position Update will be started. The SETUP AND INFORMATION menu will appear. The prompt "CMD" will appear in field (6), and then be replaced by the Align Time to Go countdown. Proceed with the rest of Initialization.

M-6 PDFCS INITIALIZATION - CONTINUED**M-6.2 Initializing - Continued**

- (e) NAV RESTART - If the prompt NAV POSITION UPDATE is highlighted and selected, a message prompt "CHANGE TO RESTART" "YES" "NO" will appear. Press the "YES" soft key. "FORCE NAV RESTART" will appear. Press "USE ALL" then press the "YES" soft key to "ARE YOU SURE" prompt, the SETUP AND INFORMATION menu will be displayed and CMD will be displayed in field (6). This will be replaced with the Align Time to Go count down timer. The Navigation Subsystem aligns itself automatically.

NOTE

The Navigation Subsystem has 3 modes of alignment;
Stored Heading Alignment, Normal Alignment and
Dynamic Alignment.

- (1) Stored Heading Alignment - Will occur only if the previous PDFCS shutdown was orderly and the Howitzer or Turret has not moved since the last shutdown. This Alignment will take a maximum of 90 seconds, and will start as soon as the power is applied to the Navigation Subsystem. A NAV UPDATE is still required. But since the Howitzer has not moved since the last shutdown, all the NAV UPDATE data should be correct and only pressing the USE ALL soft key is required. If the Howitzer has been moved since the last shutdown, or the last shutdown was abnormal, or the Howitzer was moving during the last shutdown procedure, the Stored Heading Alignment will automatically be rejected and after a NAV UPDATE is performed the Navigation Subsystem will automatically perform a Normal Align.
- (2) Normal Alignment - Will occur when ever a Stored Heading Alignment can not be performed. This alignment will take a maximum of 15 minutes (900 seconds). After the NAV UPDATE is performed and accepted, the Normal Alignment will automatically start, and the Align Time to Go counter will start counting down to 0. During the countdown, a message "OK TO MOVE OR SHOOT" "ACK" may appear before the countdown reaches 0. This means the Navigation Subsystem estimated Azimuth Error is within the bounds that are safe to move or shoot. At this point, a Move Order or Fire Missions may be performed. If the PLGR data is valid (i.e. the "A" is gone) the Align Time to Go counter will continue to countdown while the Howitzer is moving. If the PLGR is not valid (i.e. "A" is on), the timer will stop counting during movement and ZUPTs will be requested.
- (3) Dynamic Alignment - A Dynamic Alignment is nothing more than a moving Normal Alignment, but the following conditions must be met: The PLGR must have data (i.e. the "A" is gone) and a NAV UPDATE must have been performed prior to movement. If these conditions are true, then the Howitzer may be moved before the "OK TO MOVE OR SHOOT" "ACK" is displayed. Move Orders and Fire Missions can not be performed, but as long as the PLGR is valid (i.e. the "A" is gone), the Align Time to Go timer will continue to countdown and the Navigation Subsystem will not require a RESTART. Moving prior to the "OK TO MOVE OR SHOOT" "ACK" must be done in accordance with Unit SOP.

M-6 PDFCS INITIALIZATION - CONTINUED

M-6.2 Initializing - Continued

- (a) Box in AMMO INVENTORY from the SETUP AND INFORMATION menu. Then press SELECT key. This will cause an INVENTORY MANAGEMENT menu to be displayed. Box in either EDIT CURRENT PALADIN or EDIT FDC PROVIDED data. Press SELECT key. This will cause an INVENTORY MANAGEMENT menu to be displayed.

The screenshot shows a terminal window titled 'INVENTORY MANAGEMENT'. At the top left, there is a label 'NORMAL' followed by several empty rectangular boxes. Below this, the title 'INVENTORY MANAGEMENT' is centered. In the middle of the screen, there are two menu options: 'EDIT CURRENT PALADIN' and 'EDIT FDC PROVIDED'. At the bottom of the screen, there are two buttons: 'SELECT' on the left and 'CANCEL' on the right.

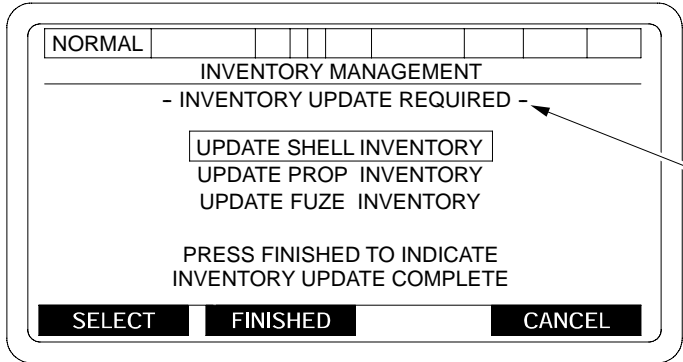
06pc654m

NOTE

- This menu will not be displayed when FDC provided Inventory Data is not available at the PDFCS.
- You can request the POC to provide your Ammo Inventory from the FDC if you know it is a correct count. Use FDC DATA XFER to GET AMMO STATUS (para M-6.2.k(2)).

M-6 PDFCS INITIALIZATION - CONTINUED

M-6.2 Initializing - Continued



MESSAGE ONLY APPEARS IF FIRE MISSION RECEIVED BEFORE OPERATOR VERIFIED AMMO FROM PREVIOUS MISSION

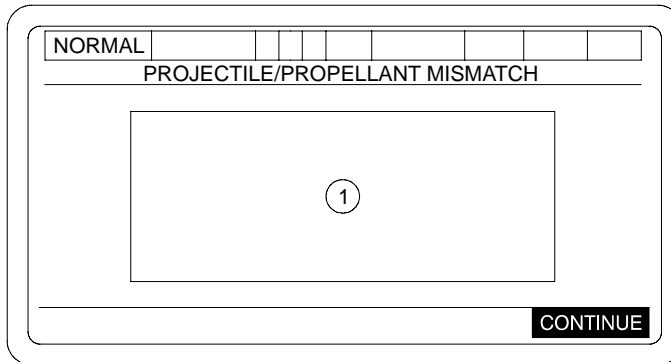
06pc118m

NOTE

If a Fire Mission is activated while in any of the ammunition inventory submenus, all valid complete entries will be saved.

FINISHED

= When the Finished key is pressed the ammunition inventory shall be reviewed to insure each group of projectiles has at least one propellant and each group of propellants has at least one projectile. If a projectile is found without a propellant or a propellant without a projectile, the PDFCS will display Projectile/Propellant Mismatch menu.



06pc189t

CONTINUE

= Will display INVENTORY MANAGEMENT menu.

① =

NO "US" PROJECTILE MATCH and or
NO "US" PROPELLANT MATCH

NOTE

Use Up and DOWN keys to scroll.

M-6 PDFCS INITIALIZATION - CONTINUED

M-6.2 Initializing - Continued

- (b) Box in UPDATE SHELL INVENTORY. Press SELECT key. This will cause an UPDATE SHELL INVENTORY menu to be displayed.

TYPE	LOT	WT	ONH	+/-	CC
					US

06pc190t

NOTE

- Pressing the DELETE key will cause the selected shell to be deleted from inventory no matter where on the inventory line the selection box is positioned.
 - If the operator presses the "DELETE" key or attempts to modify the lot for a shell that is currently being used for a fire mission, the operator warning "UNALLOWED - USED BY FM" "ACK" will be displayed.
- (c) To add a new entry, box in the first blank line. Press SELECT key. This will cause an UPDATE SHELL INVENTORY-SELECT SHELL TYPE menu to be displayed.

TYPE	LOT	WT	ONH	+/-	CC
M718	M741	M692	M731		US
M712	M121A1GB	M687A1	M110H/HD		
M121A1VX	M107DC	M107NC	M449A1		
M483A1	M795	M864	M549/A1		
M485A1/A2	M898	M110WP	M116A1/HC		
M825	M825A1				

06pc191t

M-6 PDFCS INITIALIZATION - CONTINUED

M-6.2 Initializing - Continued

- (d) Press SELECT key to display a SELECT LOT menu.
- (e) Box in Lot choice and press SELECT key. This will cause a lot designator to be assigned to the selected shell. Once a lot selection is made, that designator (letter) will disappear. This prevents using same lot twice.

INITIALLY BOX LOT FROM
SELECTED INVENTORY
ENTRY (IF BLANK LINE
NOT SELECTED)
OTHERWISE BOX
THE FIRST AVAILABLE
UNUSED LOT

BLANK ALL USED
LOTS EXCEPT THE
LOT FROM THE
SELECTED INVENTORY
ENTRY (IF A BLANK
LINE NOT SELECTED)

NORMAL							
UPDATE SHELL INVENTORY							SELECT LOT
TYPE	LOT	WT	ONH	+/-	CC		
					US		
	B	C	D	E	F		
G	H	I	J	K	L		
M	N	O	P	Q	R		
S	T	U	V	W	X		
Y	Z						
SELECT				CANCEL			

COUNTRY
OF ORIGIN

06pc192t

- (f) Box in WT choice and press SELECT key; an ENTER SHELL WEIGHT menu will be displayed. If shell weight is not the same as default weight, type in new weight and press ENT key. This will cause the UPDATE SHELL INVENTORY menu to be displayed.

WT

TYPE WEIGHT IN POUNDS
BETWEEN ____ AND ____
- PRESS ENT KEY -

ENTER SHELL WEIGHT							
TYPE	LOT	WT	ONH	+/-	CC		
					US		
CANCEL							

COUNTRY OF ORIGIN

WEIGHT FROM INVENTORY
ENTRY (IF BLANK
LINE NOT SELECTED)

OTHERWISE USES
DEFAULT WEIGHT FOR
THE SELECTED SHELL
TYPE

OR SQUARES IF SHELL
IS WEIGHT ZONED

06pc193ta

NOTE

Weight will be displayed in pounds or squares.

M-6 PDFCS INITIALIZATION - CONTINUED

M-6.2 Initializing - Continued

- (g) Move box to proper column (ONH, ADD or SUB) in desired line and press SELECT key. A prompt to TYPE SHELL QUANTITY will be displayed. Type in new quantity and press ENT key. New quantity will be displayed.
- (h) When all shell data has been updated or edited, press USE ALL key to return to INVENTORY MANAGEMENT menu.

The screenshot shows a terminal window with the following layout:

UPDATE SHELL INVENTORY			UPDATE QUANTITY		
TYPE	LOT	WT	ONH	+/-	CC
			<input type="text"/>		US

At the bottom of the screen, there is a black bar with the text "TYPE SHELL QUANTITY" on the left, "-PRESS ENT KEY-" in the center, and "CANCEL" on the right.

Annotations on the right side of the image:

- (CC)-COUNTRY CODE (pointing to the 'US' in the CC column)
- NUMERIC FIELD ENTERS NEW ON-HAND QUANTITY (1-9999) (pointing to the cursor in the ONH column)
- NUMERIC FIELD ADDS/SUBTRACTS ENTERED VALUE TO ON-HAND QUANTITY (1-9999) (pointing to the +/- column)

The screenshot shows the same terminal window as above, but with the cursor moved to the +/- column of the first row.

UPDATE SHELL INVENTORY			UPDATE QUANTITY		
TYPE	LOT	WT	ONH	+/-	CC
				<input type="text"/>	US

At the bottom of the screen, there is a black bar with the text "TYPE SHELL QUANTITY" on the left, "+/-" in the center, and "CANCEL" on the right.

Annotations on the right side of the image:

- COUNTRY OF ORIGIN (pointing to the 'US' in the CC column)
- NUMERIC FIELD ENTERS NEW ON-HAND QUANTITY (1-9999) (pointing to the cursor in the +/- column)
- NUMERIC FIELD ADDS/SUBTRACTS ENTERED VALUE TO ON-HAND QUANTITY (1-9999) (pointing to the ONH column)

06pc194ta

M-6 PDFCS INITIALIZATION - CONTINUED

M-6.2 Initializing - Continued

- (i) Box in UPDATE PROP INVENTORY on INVENTORY MANAGEMENT (UPDATE) menu. Press SELECT key to display UPDATE PROP INVENTORY menu.

UPDATE PROP INVENTORY					SELECT FIELD
TYPE	LOT	ONH	+/-	CC	
_____ / _____		<input type="checkbox"/>	___	US	
_____ / _____		_____	___	___	
_____ / _____		_____	___	___	
_____ / _____		_____	___	___	

Buttons: SELECT, USE ALL, DELETE, CANCEL

06pc195t

NOTE

- The DELETE key shall cause the selected propellant to be deleted from inventory no matter where on the inventory line the selection box is positioned.
 - If the operator presses the “DELETE” key or attempts to modify the lot for a propellant that is currently being used for a fire mission, the PDFCS shall display the operator warning “UNALLOWED - USED BY FM” “ACK”.
- (j) To add a new entry, box in the first blank line on UPDATE PROP INVENTORY menu. Press SELECT key to display SELECT PROP TYPE menu. Box in propellant type and press SELECT key.

NOTE

The data displayed on the third line of this display is that given in the selected inventory entry (either a blank line or an existing entry) and is updated as entries are made.

UPDATE PROP INVENTORY					SELECT PROP TYPE
TYPE	LOT	ONH	+/-	CC	
_____ / _____		_____	___	US	
M3A1	M4A2	M119A1	M119A2		
M203	M203A1	M231	M232		

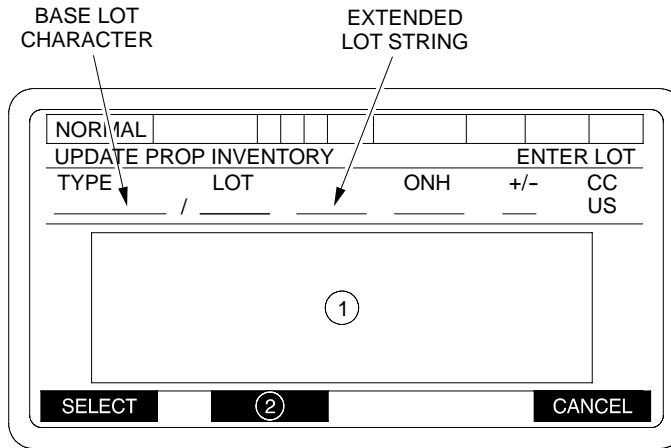
Buttons: SELECT, CANCEL

06pc196tb

M-6 PDFCS INITIALIZATION - CONTINUED

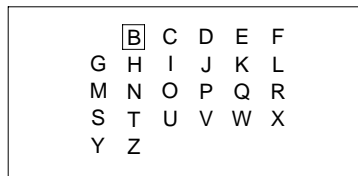
M-6.2 Initializing - Continued

- (k) When the SELECT key on the Select Prop Type screen is pressed the ENTER LOT menu will be displayed.



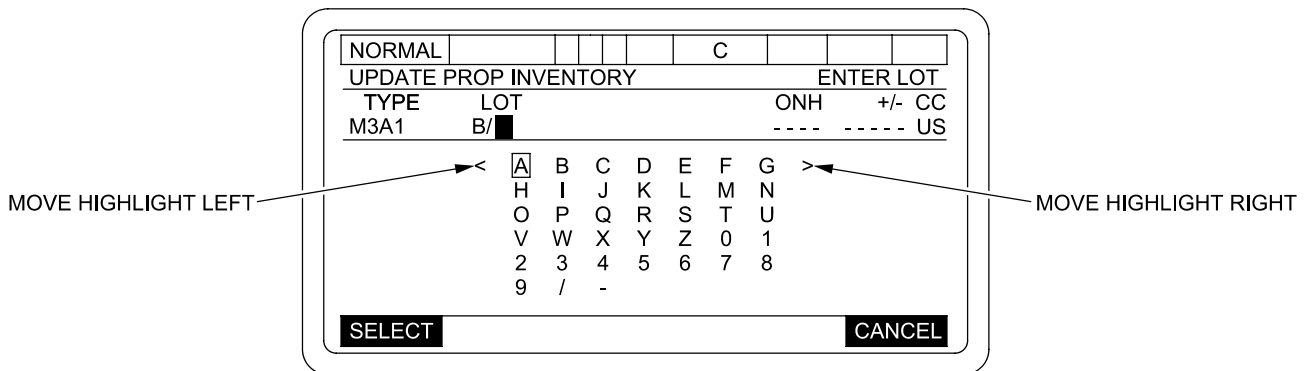
06pc197t

- 1 On initial entry to this display, the cursor box is on the base lot from the selected inventory entry (if a blank line was not selected). Otherwise, box the first available unused base lot letter. The base lot location in the upper display is highlighted in reverse video. All base lots currently in the propellant inventory are deleted from the selection area (except for the selected inventory entry base lot if not on a blank inventory line).



06pc127m

After the base lot is selected, the extended lot editing function is entered. All alphabetic characters as well as numeric, virgule, hyphen, and highlight movement characters are made available for operator selection. The operator will be allowed to enter blanks while editing the extended lot string, but they will be removed when the operator selects "USE ALL". The reverse video highlight is initially moved to the first character position (left most character) in the extended lot string. Highlight movement will wrap at the ends of the extended lot string. Pressing the CLR key will erase the character under the reverse video highlight.



06pc325t

- 2 Blank - until extended lot string editing begins.
USE ALL - while editing the extended lot string.

M-6 PDFCS INITIALIZATION - CONTINUED

M-6.2 Initializing - Continued

When USE ALL key is pressed the following checks occur:

- The extended string is compared with other extended lot codes in inventory. If a duplicate extended lot string is found, a short error message will be displayed.

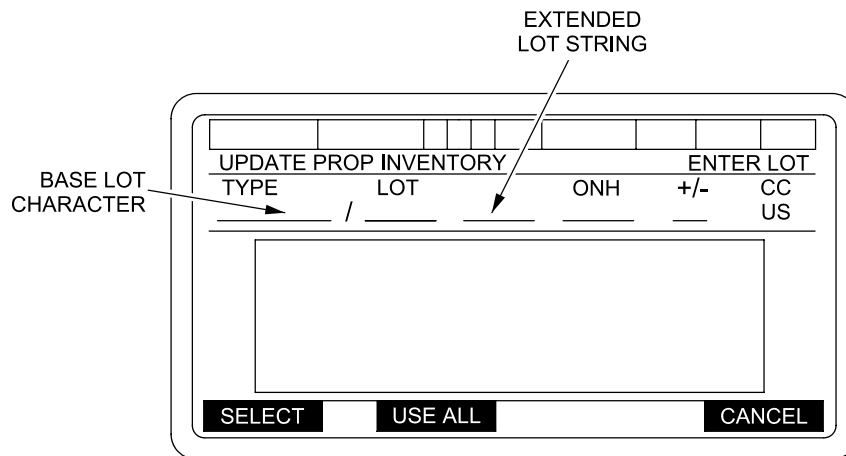
DUPLICATE EXTENDED LOT FOUND ACK

When ACK is pressed, the extended lot editing function will be resumed and the highlight will be at the last character position prior to pressing USE ALL. Before pressing USE ALL, enter a different extended lot.

- The extended lot string is compared with other extended codes in the MVV Lot Database. If a duplicate extended lot string is found and there is a propellant model mismatch, the error message

MVV EXTENDED LOT PROP CONFLICT ACK

shall be generated. When ACK is pressed, the extended lot editing function shall be resumed and the highlight shall be at the last character position prior to pressing USE ALL.



06pc198ta

M-6 PDFCS INITIALIZATION - CONTINUED

M-6.2 Initializing - Continued

- (l) When the USE ALL key is pressed, the Update Prop Inventory menu is displayed. Box in either +/- column and press SELECT key. Type in new quantity and press ENTER key. New quantity will be displayed.

UPDATE PROP INVENTORY		UPDATE QUANTITY		
TYPE	LOT	ONH	+/-	CC
_____	_____	_____	<input type="text"/>	US

NUMERIC FIELD
ADDS/SUBTRACTS
ENTERED VALUE
TO ON-HAND
QUANTITY (1-9999)

TYPE PROP QUANTITY -PRESS ENT KEY-
+/- CANCEL

06pc199ta

NOTE

- The +/- soft key will appear when the +/- column is selected. If you select the ONH column, the +/- soft key will not appear.
 - Minus values must not exceed the amount on-hand. Plus values must not cause the on-hand total to exceed 9999. Either of these conditions shall cause the error message: "VALUE TOO SMALL" "ACK" or "VALUE TOO BIG" "ACK".
- (m) When propellant types have been updated or edited, press USE ALL key. This will cause the INVENTORY MANAGEMENT menu to be displayed.
- (n) Box in UPDATE FUZE INVENTORY on INVENTORY MANAGEMENT menu. Press SELECT key to display UPDATE FUZE INVENTORY - SELECT FIELD menu. To add a new entry, move box to the first blank line. Press SELECT key. A SELECT FUZE TYPE menu will be displayed.

TYPE SORTED BY MODEL NUMBER

UPDATE FUZE INVENTORY		SELECT FIELD		
TYPE	ONH	+/-	CC	
_____	_____	<input type="text"/>	US	
_____	_____	_____	_____	_____

LAST ENTRY OF MENU IS DASHED UNLESS ALL TYPES ARE DEFINED

SELECT USE ALL DELETE CANCEL

06pc200t

M-6 PDFCS INITIALIZATION - CONTINUED

M-6.2 Initializing - Continued

(q) Type in quantity and press ENT key.

NORMAL					
UPDATE FUZE INVENTORY			UPDATE QUANTITY		
TYPE	ONH	+/-	CC	US	
_____	_____	_____	_____	_____	

TYPE FUZE QUANTITY -PRESS ENT KEY- CANCEL

NUMERIC FIELD
ENTERS NEW
ON-HAND
QUANTITY (1-9999)

06pc202t

NOTE

- The +/- Soft key will appear when the +/- column is selected. If you select the ONH column, the +/- Soft key will not appear.
- Minus values must not exceed the amount on hand. Plus values must not cause the on-hand total to exceed 9999. Either of these conditions shall cause the error message: "VALUE TO SMALL" "ACK" or "VALUE TO BIG" "ACK".

(r) When fuzes have been updated, press USE ALL key to return to INVENTORY MANAGEMENT menu.

NORMAL

INVENTORY MANAGEMENT

- INVENTORY UPDATE REQUIRED -

UPDATE SHELL INVENTORY

UPDATE PROP INVENTORY

UPDATE FUZE INVENTORY

PRESS FINISHED TO INDICATE
INVENTORY UPDATE COMPLETE

SELECT FINISHED CANCEL

MESSAGE ONLY APPEARS
IF A FIRE MISSION
RECEIVED BEFORE
OPERATOR VERIFIED
AMMO FROM PREVIOUS
MISSION

06pc203t

M-6 PDFCS INITIALIZATION - CONTINUED

M-6.2 Initializing - Continued

NOTE

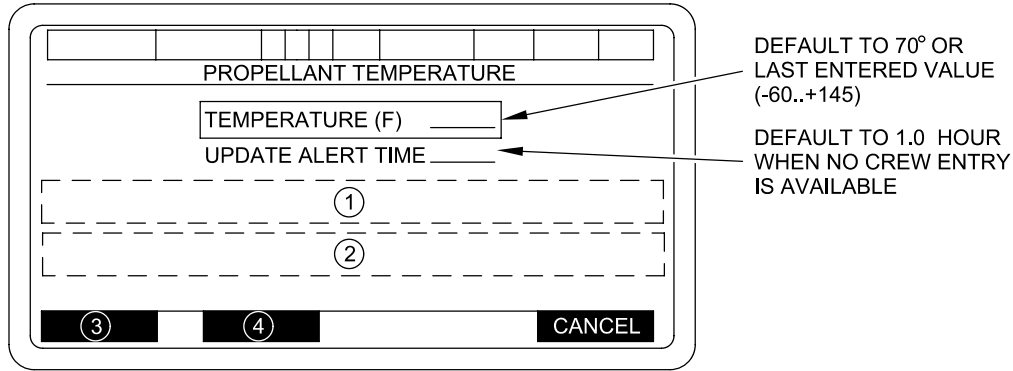
- If a fire mission is activated while in any of the ammunition inventory sub-menus, all valid complete entries with consistent projectile/propellant, country code matches shall be saved.
 - If the **CANCEL** Soft key is selected all edits will be ignored.
 - When the **FINISHED** soft key is pressed the ammunition inventory shall be reviewed to insure each group of projectiles has at least one propellant and each group of propellants has at least one projectile. If a projectile group is found without a propellant or a propellant without a projectile, the PDFCS will display PROJECTILE/PROPELLANT MISMATCH menu. Pressing the CONTINUE Soft key on this menu will return operator to the INVENTORY MANAGEMENT menu, at which time the operator has to update SHELL/PROP inventory.
- (s) When all ammunition data has been entered or updated, press FINISHED key to display the SETUP AND INFORMATION menu.
- (6) PROPELLANT TEMPERATURE - Must be entered in order to complete initialization. After ammunition has been received, a propellant temperature should be obtained by the crew using a calibrated propellant temperature gage. Propellant temperatures are entered as follows:

NOTE

- Accurate propellant temperatures must be entered in order for PDFCS to accurately compute Muzzle Velocity Variances.
 - Numerical value must be entered before sign. Default sign is (+).
- (a) Box in PROP TEMP from SETUP AND INFORMATION menu. Press SELECT key. A PROPELLANT TEMPERATURE menu will be displayed. Type in correct temperature and press ENT key.

M-6 PDFCS INITIALIZATION - CONTINUED

M-6.2 Initializing - Continued



06pc204ta

- ① TIME TO GO XX:XX (HOURS:MINUTES) OR TIME EXCEEDED
- ② WHEN TEMPERATURE SELECTED
TYPE TEMPERATURE IN FAHRENHEIT
DEGREES: -60 TO +145
- PRESS ENT KEY -
WHEN UPDATE ALERT TIME SELECTED
TYPE UPDATE TIME IN 0.5 HOUR
INCREMENTS 0.5 TO 2.0
- PRESS ENT KEY -

- ③ BLANK - When TEMPERATURE or UPDATE ALERT TIME selected
SELECT - When item is not selected

- ④ USE ALL - When no item is selected
+/- When temperature is selected
BLANK - When UPDATE ALERT TIME is selected

(b) If a temperature outside allowable range is input, operator alert "VALUE TOO BIG" or "VALUE TOO SMALL" will appear when ENT key is pressed. The ACK key must be pressed to return to the PROPELLANT TEMPERATURE menu to enter correct temperature.

M-6 PDFCS INITIALIZATION - CONTINUED

M-6.2 Initializing - Continued

- (c) A propellant temperature is input during initialization by selecting PROP TEMP from the SETUP AND INFORMATION menu to display the PROPELLANT TEMPERATURE menu. The operator is allowed to enter the propellant temperature. If no temperature is entered the PDFCS will use the default value of 70 degrees F. To enter the propellant temperature, place cursor to TEMPERATURE (F), press the soft key under SELECT prompt. An operator prompt "TYPE TEMPERATURE IN FAHRENHEIT DEGREES -60 TO +145 --PRESS ENTER KEY" will appear. Type in propellant temperature and press ENT key. In addition, the PDFCS incorporates a timed audible and visual alert to the operator to warn that a propellant temperature update is required. The time interval to use for the audible and visual alerts are selectable on the PROP TEMP menu, from 30 minutes (0.5 hours) to 120 minutes (2.0 hours) in 30 minute increments. The alert time is defaulted to 1.0 hour when no time is entered by the operator. To set alert time, place cursor on UPDATE ALERT TIME, and press soft key under SELECT prompt. An operator prompt, "TYPE UPDATE TIME IN 0.5 HOUR INCREMENTS 0.5 TO 2.0, PRESS ENTER KEY. When the operator has successfully entered the propellant temperature and alert time return to SETUP AND INFORMATION menu by pressing soft key under USE ALL prompt. When correct propellant temperature and alert time have been entered, pressing USE ALL will display the SETUP AND INFORMATION menu.

06pc134mb

- (7) TOT RESPONSE TIME - This is used to set crew time response for a specific fire mission. The data tells the PDFCS how much advance warning a crew needs before a Time on Target (TOT) mission is to be fired. This data is entered as follows:
- Box in TOT RESPONSE from SETUP AND INFORMATION menu. Press SELECT key to display a TIME ON TARGET CREW RESPONSE TIME menu.
 - Enter data for response time and press the ENT key. This will return the display to the SETUP AND INFORMATION menu.

06pc136m

M-6 PDFCS INITIALIZATION - CONTINUED

M-6.2 Initializing - Continued

- (8) LOAD ELEVATION - This data is entered in the PDFCS to specify an elevation that the gun tube will automatically return to after firing when the LOAD key is pressed on the PDU panel. Enter LOAD ELEVATION as follows:
 - (a) Box in LOAD ELEVATION from the SETUP AND INFORMATION menu. Press SELECT key to display a TUBE LOAD ELEVATION menu.



Do not enter an elevation greater than 300 mils. Settings above 300 mils may result in breech failing to close and could cause unnecessary wear on spring pack.

NOTE

Numerical value must be entered before sign. Default sign is (+).

- (b) Type in desired elevation data and press ENT key. The SETUP AND INFORMATION menu will be displayed.

A screenshot of a terminal-style menu. At the top, there are two rows of status indicators: "NORMAL" followed by several empty boxes, and "N W" followed by several empty boxes. Below this is the title "TUBE LOAD ELEVATION". The main text reads: "LOAD ELEVATION OVER 300 MILS ARE NOT RECOMMENDED. WEAKENS BREECH SPRINGS." Below that is "LOAD ELEVATION" followed by a small box containing "+300". Further down is "TYPE LOAD ELEVATION IN MILS BETWEEN -200 AND 1333 - PRESS ENT KEY -". At the bottom are two buttons: "+/-" and "CANCEL".

NUMERIC FIELD LOAD ELEVATION -200..1333 MILS DEFAULT TO CURRENT LOAD ELEVATION

06bc135m

M-6 PDFCS INITIALIZATION - CONTINUED

M-6.2 Initializing - Continued

(9) SECTOR OF FIRE - Used to define the howitzer's sector of fire. Data is entered as follows:

- (a) Box in SECTOR OF FIRE from SETUP AND INFORMATION menu. Press SELECT key to display DEFINE SECTOR OF FIRE menu.
- (b) Box in LEFT LIMIT OF SECTOR. Press SELECT key. Enter data. Press ENT key. Move box to AOF. Press SELECT key. Enter data. Press ENT key. Move box to RIGHT LIMIT OF SECTOR. Press SELECT key. Enter data. Press ENT key.

06pc205t

IF LEFT = RIGHT

ERROR - LEFT AND RIGHT EQUAL **ACK**

If AZIMUTH OF FIRE is not to
RIGHT OF LEFT LIMIT and LEFT
OF RIGHT LIMIT.

ERROR - AZIMUTH OF FIRE NOT IN SECTOR **ACK**

① BLANK: No selection made

Selection made:

“TYPE AZIMUTH BETWEEN 0 AND 6399 MILS”

“PRESS ENT KEY”

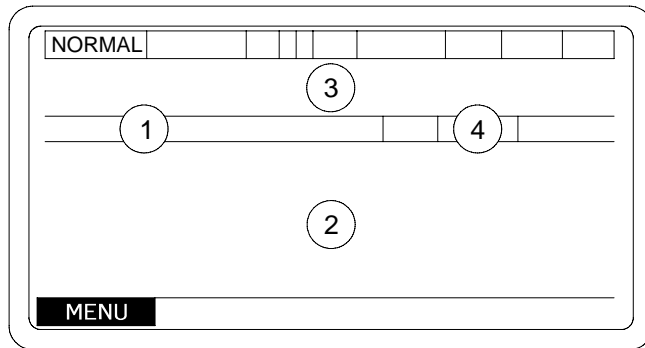
NOTE

- Operator entered Sector of Fire data will be used by the PDFCS during Move Orders to help orient the vehicle during emplacement at a Firing Point/Firing Area.
- During Emplacement after a Move Order, this AOF will be “Base Azimuth” for 3200 Deflection.
- SECTOR OF FIRE entered by the operator will be used to calculate ballistic if FDC has not sent SECTOR OF FIRE for prescribed location (FIRING AREA/POINT).

M-6 PDFCS INITIALIZATION - CONTINUED

M-6.2 Initializing - Continued

- (c) When all correct data has been entered, press USE ALL key to enter data. The following message will be displayed: "ARE YOU SURE" "YES" "NO". If "YES" is selected the sector of fire will be updated and the display will return to SETUP AND INFORMATION menu. If "NO" is selected the message will be removed for re-entry of data. Operator entered Sector of Fire data will update the Site Data display.
- (d) When all initialization data (Asterisk items from SETUP AND INFORMATION menu) has been entered, and the navigation subsystem alert "OK TO MOVE OR SHOOT", "ACK" has been displayed and the ACK key pressed, then press CANCEL key on SETUP AND INFORMATION menu to bring up a SECTION IN ORDER AT INITIALIZATION POINT display.



06pc138m

- ① "FPF/PRI EXISTS" FPF/PRI TARGET EXISTS IN STORED TARGET TABLE
"NO FPF/PRI EXISTS" - FPF/PRI TARGET DOES NOT EXIST IN STORED TARGET TABLE
- ② "SECTION IN ORDER AT LOGISTICS POINT" - ARRIVAL LOCATION IS LOGISTICS POINT
"SECTION IN ORDER AT INITIALIZATION POINT" - ARRIVAL LOCATION IS INITIALIZATION POINT
- ③ **DO NOT MOVE** - NO FPF/PRI EXISTS
DO NOT MOVE / DO NOT LOAD - FPF-PRI TARGET EXISTS
- ④ TUBE TEMPERATURE STATUS

M-6 PDFCS INITIALIZATION - CONTINUED

M-6.3 Initialization After an Orderly Shutdown.

WARNING

When operating the PLGR on external power with BA-5800 lithium battery installed, the battery may explode. Ensure battery is removed before connecting power cable to prevent serious injury or death.

NOTE

PMVS must be installed and connected prior to turning the vehicle MASTER power switch ON.

During PDFCS operation, it may become necessary to power down and then back up; e.g., a system lockup occurs.

NOTE

After PDFCS has been powered down, the PDFCS will power up and be operational in approximately 3-4 minutes.

Power down in this form causes an orderly shutdown, and some of the PDFCS data is saved. An orderly shutdown also occurs when the power is turned off after normal operations. Some of the data saved on orderly shutdown is Network Setup, Ammo Inventory, Navigation Data (location where system was powered down), TOT Response, Load Elevation, and the last operator-entered Sector of Fire. When the system is turned back on from an orderly shutdown, step-by-step initialization is not necessary, although action on all asterisk marked items on the SETUP AND INFORMATION menu must be accomplished. The process for initialization after an orderly shutdown is as follows:

- a. System Power Up. Set MASTER switch and Power Conditioner Unit-2 circuit breakers to ON.

With the PLGR in the PLGR mount and all external cables attached, press the ON/BRT key on the PLGR key pad. The PLGR should power up automatically and perform its self-test (BIT). Operate the PLGR in accordance with the PLGR TM 11-5825-291-13.

If the PLGR does not have a current key (i.e. the PLGR was previously "zeroized", newly installed or the key has expired), then load a valid key in accordance with the PLGR TM 11-5825-291-13, Section 3.6.

NOTE

To load a key, the DRUH must be off, or the P4 DRUH-PLGR Signal Connector must be disconnected to cause a PLGR COM FAIL. Simple re-attachment of P4 DRUH-PLGR Signal Connector after PLGR keying will automatically cause DRUH-PLGR communications to resume if DRUH is on.

If the PLGR antenna has a clear view of the sky, turn PLGR on. If the antenna's view of the sky is blocked (e.g. the vehicle is in a building, under tree cover or parked next to a large structure), move vehicle until the PLGR is clear.

If the vehicle can not be moved, keep PLGR turned off until the vehicle can be moved to a location with a clear view of the sky.

M-6 PDFCS INITIALIZATION - CONTINUED

M-6.3 Initialization After an Orderly Shutdown - Continued

NOTE

- If the PLGR is off, the Navigation Subsystem will still accept initialization data from the PDFCS for inertial operation and the Navigation System will operate as before.
 - Guidelines for conditions and times for the PLGR to obtain position data acceptable by the PDFCS.
- (1) If the antenna has a clear view of the sky and PLGR has a valid position, current GPS time, current GUV key, and has stored a current satellite almanac, PLGR will be acceptable for use in about three minutes following the first turn-on of the day. It will take about 90 seconds for subsequent turn-ons. These are the normal operating conditions.
 - (2) If the antenna has a clear view of the sky and PLGR has a current GUV key but the PLGR doesn't have a valid position, current GPS time, or current satellite almanac, it may take up to 20 minutes after turn-on for the PLGR to output data of acceptable accuracy.
 - (3) If the PLGR has a valid position, current GPS time, current key, and current satellite almanac, but the antenna is masked from a clear view of the sky when PLGR is turned on, it may take up to 20 minutes to get acceptable data after the vehicle is moved to a location with a clear view of the sky. This results from the PLGR initiating a search for all possible satellites if it can't lock on to those expected, for its current position, time, and almanac, within a reasonable time interval.
 - (4) If the PLGR doesn't have a current key, its data won't be acceptable for use by the PDFCS. However, assuming a clear view of the sky, it can be turned on to initialize position, time, and satellite almanac in about 20 minutes. Then when a valid key is loaded, the PLGR will be ready to go within three minutes.

NOTE

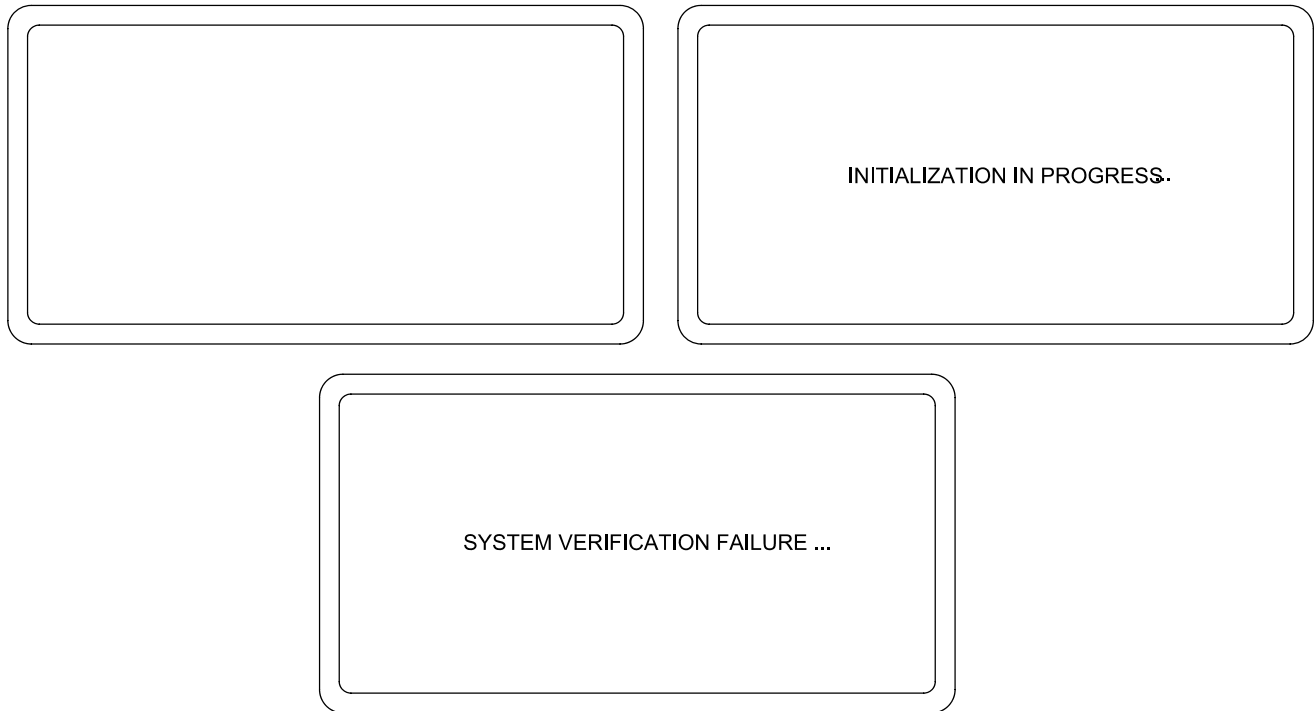
PMVS must be installed and connected prior to turning the vehicle MASTER power switch on.

Make sure TRAINING switch on PDU is OFF. Set POWER switch on PDU to ON. When power is first applied to the PDFCS, the display will be blank and the PDFCS will automatically perform its internal self-test (BIT). Next a screen will be displayed with this message "INITIALIZATION IN PROGRESS."

NOTE

- The time lapse between first two screens can range from 3 to 5 minutes.
- If screen stays blank for more than 7 minutes, power down system.

A "SYSTEM VERIFICATION FAILURE" screen may be displayed only if the SYSTEM VERIFICATION report indicates a failure.

M-6 PDFCS INITIALIZATION - CONTINUED**M-6.3 Initialization After an Orderly Shutdown - Continued**

06pc272t

After the PDFCS powers up, the PLGR screen should read:

REMOTE CONTROL
Only ZEROIZE key
activated

At this point the PLGR key pad will become inactive. The only PLGR operation allowed using the key pad is EMERGENCY ZEROIZE.

If this message is not displayed on the PLGR screen, and the Low Priority Message "GPS OUT - PLGR DISCONNECTED" is not displayed on the PDU, ensure that the DRUH-PLGR Signal Connector (P4) plug on the W17A cable is connected and secure. Once this PLGR screen is displayed, proceed with system initialization.

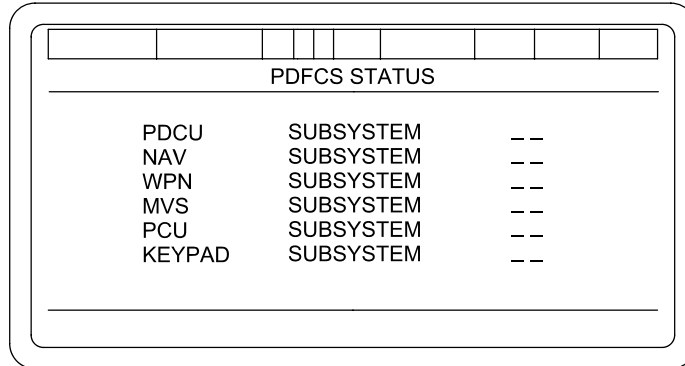
NOTE

- NAV SUBSYSTEM includes: VMS, DRUH, VMS Modems
- PCU-2 SUBSYSTEM includes: PCU-2 and both Back-Up Batteries
- The switches on the PCU-2 are circuit breakers. They should be left ON at all times, so they will not wear out from being turned off and on constantly.

M-6 PDFCS INITIALIZATION - CONTINUED

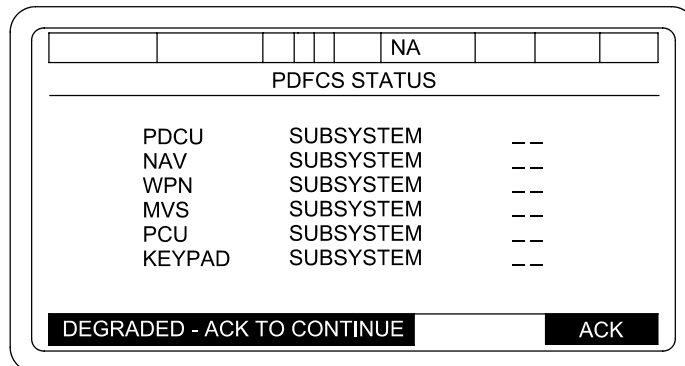
M-6.3 Initialization After an Orderly Shutdown - Continued

- (5) This screen displays the subsystems that are checked by BIT. As the subsystems are checked, the dashed lines will change to a subsystem status (OK, DEGRADED, OUT, - -). The - - appears on the MVS status line when the PDFCS could not be connected to the MVS. This screen also identifies the system software version.



06pc071mb

In the event of a failure during POWER UP STATUS, the message, DEGRADED-ACK TO CONTINUE, will be displayed on the bottom line of the display. To continue, depress soft key under ACK. After the self-test is complete, SELECT OPERATIONAL MODE menu is displayed.



06pc074mb

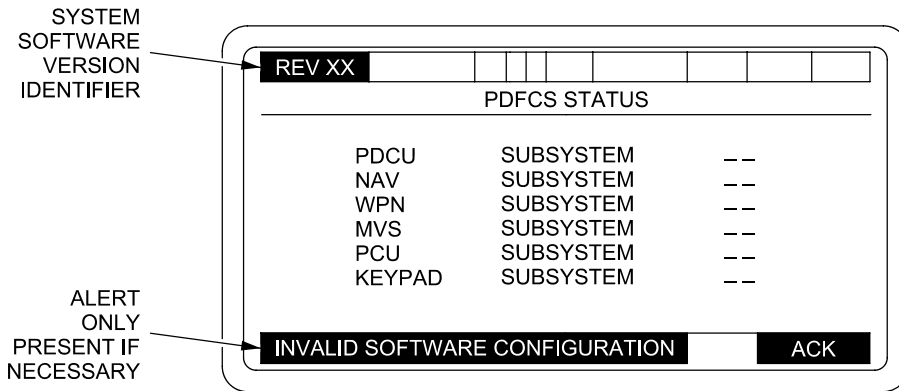
NOTE

If PCU-2 contains an incorrect configuration, the PDFCS will not allow the operator to select normal operations until a correct PDU software configuration is downloaded.

M-6 PDFCS INITIALIZATION - CONTINUED

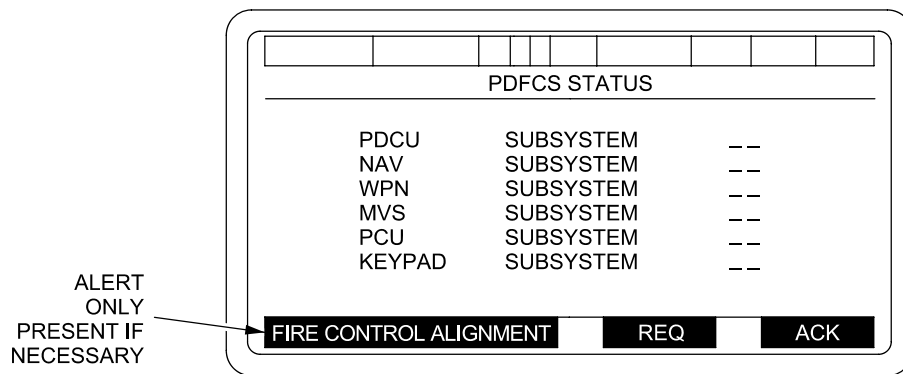
M-6.3 Initialization After an Orderly Shutdown - Continued

When configuration verification checking indicates that an invalid howitzer software configuration is present, a short error message "INVALID SOFTWARE CONFIGURATION" "ACK" will appear on the soft key label line of the PDU.



06pc073mg

*Discuss Boresight entry requirements during initial POWER-UP and PDU FAULT LAMPS



06pc072md

When the message is acknowledged, the PDFCS will proceed to the "SELECT OPERATIONAL MODE" menu. To view detailed software configuration information for each LRU, MAINTENANCE should be selected, IAW procedure in para M-9.1.

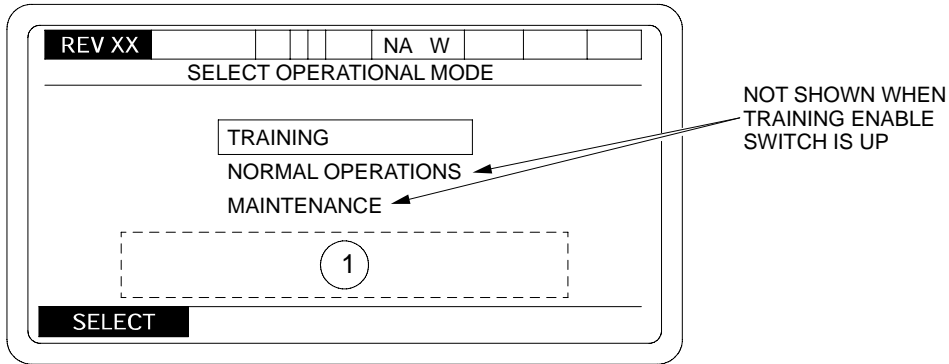
(6) Operational Mode Selection Menu.

This menu allows selection of the primary operating mode for the PDFCS.

The selection structure shows the prompting for Embedded Training selection. Note that the TRAINING selection and the associated prompting will not be available if the Embedded Training Controller fails power-up BIT.

M-6 PDFCS INITIALIZATION - CONTINUED

M-6.3 Initialization After an Orderly Shutdown - Continued



06pc139m

- ① - WHEN TRAINING SWITCH IS UP:
POSITION TRAINING ENABLE SWITCH DOWN
TO SELECT OTHER MODES

- WHEN TRAINING SWITCH IS DOWN:
POSITION TRAINING ENABLE SWITCH UP
TO SELECT TRAINING MODE

b. Initialization.

NOTE

After an orderly shutdown, follow the procedures below. However, if a catastrophic failure happens within the system, go to para M-6.4.

Select NORMAL OPERATIONS on the SELECT OPERATIONAL MODE menu and press SELECT soft key. A NETWORK menu will be displayed.

- (1) NETWORK - Check data on the NETWORK menu for correctness against current data from POC/FDC and press FINISHED.

Using the NET ACCESS menu, check that data in the displayed menu shows same data that the unit SOP specifies.

NOTE

To ensure efficient set up of the digital net, it is very important that NETWORK data be assigned and controlled by POC/FDC. Verify data per local SOP.

- (a) Only one network configuration will be active at any one time. The active configuration is identified by the label “*ACTIVE*” in the “STATUS” column.
- (b) Inactive configurations do not have anything displayed in the “STATUS” column.
- (c) TACFIRE configurations will not display anything in the “COMSEC” and “MODE” columns of the NETWORK screen.

M-6 PDFCS INITIALIZATION - CONTINUED

M-6.3 Initialization After an Orderly Shutdown - Continued

- (d) 188-220 communications configurations identify the Device, Baud Rate, COMSEC and mode. 188-220 configurations with any customized values identify the Device as "CUSTOM/R" for Radio and "CUSTOM/W" for Two-Wire.
- (e) The PDFCS will not reorder network configurations as a result of deletions.
- (f) The "FINISHED" and "VIEW" soft keys are not visible unless at least one configuration is defined.
- (g) Soft key sequencing shall be as follows:
 - SELECT soft key - if the highlighted configuration was previously defined, control transitions to NETWORK SETTINGS-SELECT CONFIGURATION OPTION display. If the highlighted configuration has not been defined, control transitions to NETWORK SETTINGS-STANDARD COMMUNICATION CONFIGURATION display (see para M-6.2c).
 - FINISHED soft key - When the operator presses the "FINISHED" soft key the PDFCS stores all defined network configurations and control transitions to Normal Operational Initialization Display.
 - VIEW soft key - When the "VIEW" soft key is pressed and the currently selected network configuration has been defined, control transitions to the NETWORK SETTINGS display (see para M-6.2e). When the "VIEW" soft key is pressed and the currently selected network configuration has not been defined, control does not transition.
- (h) PDFCS support 11 predefined communications configurations (see Table M-2).

NETWORK					
CFG	STATUS	DEVICE	BAUD	COMSEC	MODE
3		SINGGARS	4800N	CT	FH
6		SINGGARS	1200N	CT	FH
6	*ACTIVE*	CUSTOM/R	1200N	CT	FH
10		CUSTOM/W	32000	PT	SC
0		TACFIRE	1200		
8		CUSTOM	9600N	CT	FH

SELECT FINISHED VIEW

06pc322t

M-6 PDFCS INITIALIZATION - CONTINUED

M-6.3 Initialization After an Orderly Shutdown - Continued

- (2) SET DATE/TIME - Select SET DATE/TIME on SETUP AND INFORMATION menu and press SELECT to display a SET DATE/TIME GROUP menu.

SETUP AND INFORMATION	
* SET DATE/TIME	* TOT RESPONSE
* FDC DATA XFER	* LOAD ELEVATION
* SPHEROID/DATUM	* SECTOR OF FIRE
* NAV UPDATE	RECEIVED MSG
* AMMO INVENTORY	WARNING MSG
* PROP TEMP	MAX TUBE EL
	SITE DATA
	SEND CHECKFIRE
SELECT	NEXT PAGE
	FAST INIT

06pc327ta

NOTE

Use according to unit SOP.

If GPS data is available select "USE GPS".

SET DATE / TIME GROUP			
ZULU	TIME	IS	99:02:05:1230:52
LOCAL	TIME	IS	99:02:05:1230:52
GPS	TIME	IS	99:02:05:1230
TIME ZONE			Z
DAYLIGHT SAVINGS			STANDARD
SET LOCAL TIME __:__:__:__:			
SELECT	USE LOCAL	USE GPS	CANCEL

PRESENT ONLY IF GPS IS AVAILABLE

CURSOR DEFAULT POSITION

06pc177t

NOTE

If GPS is not available or if POC has instructed you not to use GPS time, type in new DTG.

SELECT TIME ZONE - Enter SELECT TIME ZONE in accordance with unit SOP.

SELECT TIME ZONE						
A	B	C	D	E	F	G
H	I	K	L	M	N	O
P	Q	R	S	T	U	V
W	X	Y	Z			
SELECT			CANCEL			

06pc178t

M-6 PDFCS INITIALIZATION - CONTINUED

M-6.3 Initialization After an Orderly Shutdown - Continued

SELECT DAYLIGHT SAVINGS - Enter DAYLIGHT SAVINGS TIME in accordance with unit SOP.

06pc179t

Contact the POC by voice radio to obtain the correct date/time data and a MARK. Type in date/time data (year, month, day, hour, minute) as given by the POC. If the data is entered incorrectly a message will be displayed stating "Invalid DTG Value," and you will have to re-enter the data. When this is done, another SET DATE/TIME GROUP menu will be displayed.

06pc180tb

When the FDC operator gives a countdown and announces MARK, press MARK. The PDFCS and FDC time should now be synchronized. A SETUP AND INFORMATION menu is then displayed on the DU.

06pc327t

M-6 PDFCS INITIALIZATION - CONTINUED

M-6.3 Initialization After an Orderly Shutdown - Continued

NOTE

The FDC DATA TRANSFER must be done each time you initialize the PDFCS, if the POC/FDC is operational.

- (3) FDC DATA TRANSFER - To obtain current initialization data (current MET, registration data, etc.), select FDC DATA XFER on SETUP AND INFORMATION menu. Press SELECT soft key to display a FDC DATA TRANSFER menu.

The INITIALIZATION menu item will be automatically boxed and the operator will be prompted to press “YES” or “NO”. Pressing “YES” will cause a message to be sent to FDC requesting initialization data. If you know that FDC is not operational, pressing “NO” will clear the * from FDC DATA XFER on the SETUP AND INFORMATION menu.

06pc328t

- (4) ENTER SPHEROID/DATUM - The FDC DATA XFER, INITIALIZATION data includes a SPHEROID/DATUM, but does not transfer the necessary map DATUM. To input the correct DATUM, box in the “ENTER SPHEROID/DATUM” and press the SELECT key. This brings up the SPHEROID/DATUM entry menu.

06pc249ta

Check to see if all the data is correct. If it is correct, press the USE ALL key, and proceed with the initialization. If an entry is not correct, select that field and make corrections.

NOTE 1 SELECTION OF THIS FIELD WILL DISPLAY SELECT SPHEROID MENU.

NOTE 2 FIELD IS ONLY PRESENT IF USER DEFINED (USRDEF) DATUM IS USED.

M-6 PDFCS INITIALIZATION - CONTINUED

M-6.3 Initialization After an Orderly Shutdown - Continued

When grid zone is selected the following will be displayed:

NORMAL					C			
SPHEROID/DATUM ENTRY								
SPHEROID		WE		GRID ZONE				1
DATUM		WE						
TYPE GRID ZONE 1 TO 60 - PRESS ENT KEY -								
								CANCEL

06pc250t

When DATUM is selected, SELECT DATUM menu is displayed:

NORMAL					C			
SELECT DATUM								
BUR	BUKIT RIMPAH							
BAT	DJAKARTA BATAV							
GSE	GUNUNG SEGARA							
MAS	MASSAWA							
TOY-M	TOKYO (MEAN)							
USRDEF	USER DEFINED							
SELECT				CANCEL				

06pc253t

Box in the correct DATUM and press the SELECT key. The DATUMs available are dependent on the SPHEROID selected. See Table (Appendix J.1) PDFCS/FDC DATUM AND SPHEROID for SPHEROID/DATUM combinations.

M-6 PDFCS INITIALIZATION - CONTINUED**M-6.3 Initialization After an Orderly Shutdown - Continued****NOTE**

The reference frame for UTM position coordinates is a DATUM. Typically, a Local DATUM is defined by an ellipsoidal earth model (SPHEROID) and a starting point (origin) for the coordinate system. Coordinates on a map or in a Trig list (SCPs) often are on a Local DATUM. An example of a Local DATUM is the North American 1927 (NAD 27) DATUM used in the United States. There have been many different Local DATUMs developed. GPS computes position on the World Geodetic System 1984 (WGS 84), a worldwide coordinate system. To use GPS with coordinates on a Local DATUM, the coordinates must be mathematically shifted. The PDFCS (DRUH and PLGR) can automatically perform DATUM shifting, but first the operator must select the Local DATUM to be used, or provide the appropriate shift parameters. For PDFCS operation, Local DATUMs are represented by two sets of parameters: The Local Ellipsoid (SPHEROID) and shift parameters as defined for each Local DATUM (DATUM IDs). The FDC can provide the SPHEROID. But the FDC can not provide the Local DATUM. Therefore the operator must enter it. The SPHEROID selected will determine which DATUM IDs will be available for selection. The PDFCS/FDC SPHEROID and DATUM TABLE provides the SPHEROID number for the PDFCS and FDC, which DATUM IDs are available for that SPHEROID number and the normal coverage area. Note that there may be more than one DATUM ID associated with a Local DATUM because the shifts vary by locality. For other DATUMs or areas outside the indicated coverage area, User Defined (USDDEF) Datum shifts may be entered manually. The table is not intended as an absolute. A map sheet will identify the DATUM name, Ellipsoid (SPHEROID) name and the coordinate type, or the map sheet will identify the area. The data from a Trig list should identify the same information. These parameters must be correlated to the DATUM ID. If the applicable DATUM ID hasn't been programmed in the PDFCS, shift parameters for many other DATUMs and regions have been published in DMA TR 8350.2 and may be entered thru the DATUM X, Y and Z offsets. Note that the PDFCS can not accept shift parameters for all Datums because its SPHEROID capability is limited to those listed in the PDFCS/FDC Table (Appendix J.1).

M-6 PDFCS INITIALIZATION - CONTINUED

M-6.3 Initialization After an Orderly Shutdown - Continued

If the DATUM USR DEF is selected, then the DATUM X, Y, and Z offsets must be entered. These values must be obtained from the POC and should only be used with guidance from Battery Commander. The ENTER USER DATUM PARAMETERS page should look like:

The screenshot shows a rectangular window with a title bar at the top. The title bar contains the text 'NORMAL' on the left and 'C' on the right. Below the title bar is the text 'ENTER USER DATUM PARAMETERS'. The main area of the window contains three lines of text: 'DATUM OFFSET X +0.1', 'DATUM OFFSET Y +0.0', and 'DATUM OFFSET Z +0.0'. At the bottom of the window are three buttons: 'SELECT', 'USE ALL', and 'CANCEL'.

06pc254t

When DATUM OFFSET is selected:

Type -2000.0 TO +2000.0:
Press ENT key.

When DATUM OFFSET Y is selected:

Type -2000.0 TO +2000.0:
Press ENT key.

When DATUM OFFSET Z is selected:

Type -2000.0 TO +2000.0:
Press ENT key.

After all the correct data has been entered, press the USE ALL key to clear and return to the main menu.

- (5) NAVIGATION UPDATE - Select NAV UPDATE and press SELECT soft key to display a NAVIGATION SUBSYSTEM UPDATE menu.

NOTE

- If vehicle has not been moved since orderly shutdown, the Navigation Subsystem will initiate a Stored Heading Align, which will be completed in about 90 seconds.
- If vehicle has been moved since orderly shutdown, move vehicle to a survey point and enter survey data.

M-6 PDFCS INITIALIZATION - CONTINUED

M-6.3 Initialization After an Orderly Shutdown - Continued

Check data for correctness. If correct, press USE ALL soft key. The prompt, NAV POSITION UPDATE TO START, ARE YOU SURE (YES OR NO), will be displayed. Make proper selection. Press the YES key to RESTART the Navigation Subsystem and display the SETUP AND INFORMATION menu.

Press the NO key to redisplay Navigation Subsystem Update menu. Make corrections or press CANCEL to display SET UP AND INFORMATION menu.

NORMAL									
NAVIGATION SUBSYSTEM UPDATE									
EASTING	500000								
NORTHING	100							GET CURR NAV POSN	
ALTITUDE	0								
GRID ZONE	1							GET LAST ENT POSN	
HEMISPHERE	NORTH							GET CURR GPS POSN	
SPHEROID	2							NAV POSITION UPDT	
DATUM	USRDEF								
SELECT		USE ALL			CANCEL				

06pc144m

- (6) AMMO INVENTORY - Select AMMO INVENTORY on the SETUP AND INFORMATION menu. Press SELECT soft key to display INVENTORY MANAGEMENT menu.

NORMAL									
INVENTORY MANAGEMENT									
- INVENTORY UPDATE REQUIRED -									
UPDATE SHELL INVENTORY									
UPDATE PROP INVENTORY									
UPDATE FUZE INVENTORY									
PRESS FINISHED TO INDICATE INVENTORY UPDATE COMPLETE									
SELECT		FINISHED			CANCEL				

MESSAGE ONLY APPEARS
IF FIRE MISSION
RECEIVED BEFORE
OPERATOR VERIFIED
AMMO FROM PREVIOUS
MISSION

06pc145m

NOTE

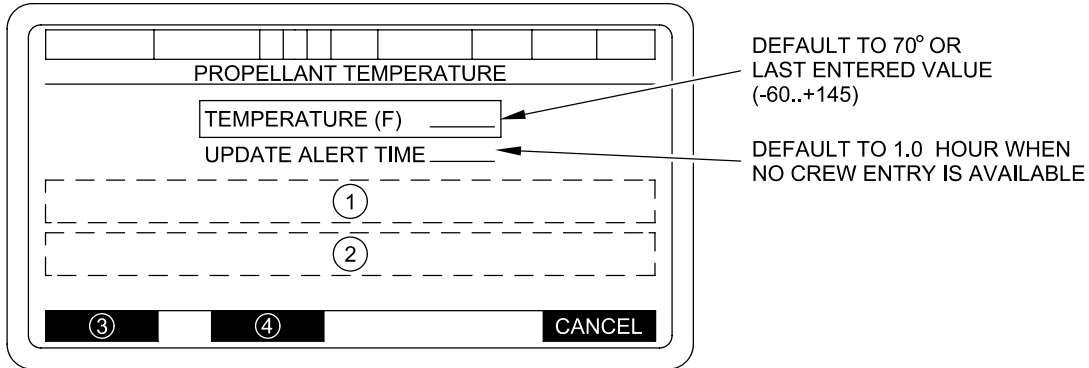
If a fire mission is activated while in any of the ammunition inventory sub-menus, all valid complete entries shall be saved.

If the ammunition inventory is current, press FINISHED soft key to display the SETUP AND INFORMATION menu. If ammunition inventory is not current, to enter ammunition data, refer to para M-6.2.

M-6 PDFCS INITIALIZATION - CONTINUED

M-6.3 Initialization After an Orderly Shutdown - Continued

- (7) PROPELLANT TEMPERATURE - Select PROP TEMP on SETUP AND INFORMATION menu. Press SELECT key to display a PROPELLANT TEMPERATURE menu.



06pc146ma

TIME TO GO XX:XX (HOURS:MINUTES) OR TIME EXCEEDED

①

WHEN TEMPERATURE SELECTED

②

TYPE TEMPERATURE IN FAHRENHEIT
DEGREES -60 TO +145
- PRESS ENT KEY -

WHEN UPDATE ALERT TIME SELECTED

TYPE UPDATE TIME IN 0.5 HOUR
INCREMENTS 0.5 TO 2.0
- PRESS ENT KEY -

③

BLANK - WHEN TEMPERATURE OR UPDATE ALERT TIME SELECTED
SELECT - WHEN ITEM IS NOT SELECTED

④

USE ALL - WHEN NO ITEM IS SELECTED
+/- WHEN TEMPERATURE IS SELECTED
BLANK - WHEN UPDATE ALERT TIME IS SELECTED

M-6 PDFCS INITIALIZATION - CONTINUED

M-6.3 Initialization After an Orderly Shutdown - Continued

If displayed temperature and update alert time are correct, press USE ALL key. If another temperature or alert time entry is necessary, box the desired item and press SELECT key. Type in new temperature or alert time and press ENT key. When entries are correct, press USE ALL key. The SETUP AND INFORMATION menu will be displayed.

- (8) TOT RESPONSE - To access the TOT RESPONSE menu, press NEXT PAGE key to display next page of SETUP AND INFORMATION menu.

Select TOT RESPONSE and press SELECT to display a TOT RESPONSE menu.

Type in desired time to be used and press ENT key. The SETUP AND INFORMATION menu will be displayed.

06pc135m

- (9) Select LOAD ELEVATION on the SETUP AND INFORMATION menu. Press SELECT key to display a TUBE LOAD ELEVATION menu.

CAUTION

Do not enter an elevation greater than 300 mils. Settings above 300 mils may result in breech failing to close and could cause unnecessary wear on spring pack.

NUMERIC FIELD LOAD ELEVATION -200..1333 MILS DEFAULT TO CURRENT LOAD ELEVATION

hipc4047

If load elevation shown is the desired elevation, press ENT key. If a new elevation is desired, type in desired elevation and then press ENT key. The SETUP AND INFORMATION menu will be displayed.

M-6 PDFCS INITIALIZATION - CONTINUED

M-6.3 Initialization After an Orderly Shutdown - Continued

- (10) Select SECTOR OF FIRE on SETUP AND INFORMATION menu. Press SELECT soft key to display a DEFINE SECTOR OF FIRE menu.

DEFINE SECTOR OF FIRE

LEFT LIMIT OF SECTOR _____

AZIMUTH OF FIRE _____

RIGHT LIMIT OF SECTOR _____

SELECT USE ALL CANCEL

06pc205tb

If data displayed on menu is desired sector of fire, press USE ALL soft key. If a change is needed, select area to be changed, type in change and press ENT key. Repeat for additional changes, when complete press USE ALL soft key. The following message will be displayed: "ARE YOU SURE" "YES" "NO". If "YES" is selected data will be updated and the display will return to SETUP and INFORMATION menu. If "NO" is selected the message will be removed for re-entry of data. A POS UPDATE or NAV RESTART must be performed if the changes are to be used by the PDFCS.

- (11) SECTION IN ORDER - When navigation alignment time has been completed, or message "OK TO MOVE OR SHOOT" "ACK" has been acknowledged, a CANCEL prompt will appear on the SETUP AND INFORMATION menu. Press CANCEL to display the SECTION IN ORDER AT INITIALIZATION POINT screen.

The PDFCS system is now initialized and can perform missions as directed.

NORMAL

DO NOT MOVE

NO FPF/PRI EXISTS

SECTION IN ORDER
AT INITIALIZATION POINT

MENU

06pc148m

M-6 PDFCS INITIALIZATION - CONTINUED

M-6.4 Initialization After a Catastrophic Failure.

- a. If a catastrophic failure (e.g., sudden loss of power of PCU-2) occurs, it is possible that no data at all will be saved by the PDFCS. In this case, a step-by-step-system initialization must be done.

NOTE

- Position data must be recorded prior to pressing ARRIVED key during emplacement. If time permits the crew should also set out collimator or select a DAP and set 3200 Deflection on the PANTEL on Center of Sector (Base Azimuth).
 - To be able to react quickly to re-initialize a failed PDFCS, a Platoon SOP voice request procedure from crew to POC to send all required data messages from FDC may be helpful. Data that would be useful from FDC are: INITIALIZATION (Subscriber File, Map Mode, MET, Registration), MUZZLE VELOCITY, Current Position (to include Sector of Fire) and Propellant Temp (PIECE STATUS), SITE STATUS, and AMMO STATUS.
- b. Getting Data. To return to Section in Order as fast as possible after a catastrophic failure of the PDFCS, return the tube to travel lock before shutting PDFCS power off. Wait about 5 seconds, then turn PDFCS power on. Begin the Initialization process as normal, working off the * menu items on the SETUP AND INFORMATION menus. If FDC has current data, get as much data as you can from FDC. This data can be obtained as follows:
 - (1) Box FDC DATA XFER on the SETUP AND INFORMATION menu and press SELECT key. The INITIALIZATION item under the GET column will be boxed as usual. Press YES to transmit the request for INITIALIZATION data (Subscriber File, Map Mode, MET and Registration).
 - (2) Next, box MUZZLE VELOCITY under the GET column and press SELECT key. Press YES key to transmit the request to FDC.

NOTE

The PDFCS automatically uses the Muzzle Velocity data sent by FDC. No further action is necessary by the crew.

- (3) Repeat the last step for PIECE STATUS, SITE STATUS, and AMMO STATUS.
- (4) Once all requests have been sent, press CANCEL key to move to the next initialization step on the SETUP AND INFORMATION menu.

M-6 PDFCS INITIALIZATION - CONTINUED

M-6.4 Initialization After a Catastrophic Failure - Continued

c. Nav Update.

- (1) Use your current position data that you recorded upon emplacement.
- (2) If POC has a current location where the failure occurred, use that data for navigation initialization. To use position data obtained from FDC in the step above, box NAV UPDATE on the SETUP AND INFORMATION menu, press SELECT key and a NAV SUBSYSTEM UPDATE menu will be displayed. Box GET FDC PRPT POSN and press SELECT key. Press USE ALL key, and PDFCS will use the FDC reported position data and return to the SETUP AND INFORMATION menu.
- (3) Another howitzer with an operational DRUH and PDFCS can pull into failed howitzer's position (left hub to left hub) and provide navigation data to be entered on the keyboard.

NOTE

If no FDC-provided Move Order is expected after PDFCS initialization, then the Sectors of Fire must be changed to those provided by the FDC prior to the failure. Sector of Fire entries must be completed prior to inputting a manual Move Order.

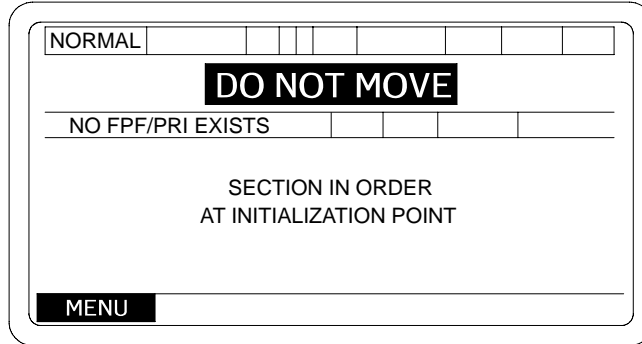
- (4) The failed howitzer can be taken to a surveyed point and navigation initialized from survey data.
- d. Ammo Inventory. To use ammunition inventory data obtained from FDC in the step above, box AMMO INVENTORY on the SETUP AND INFORMATION menu, press SELECT key and INVENTORY MANAGEMENT menu will be displayed. Box EDIT FDC PROVIDED and press SELECT key. When the FINISHED key is pressed the ammunition inventory shall be reviewed to insure each group of projectiles has at least one propellant and each group of propellants has at least one projectile. If a projectile is found without a propellant or a propellant without a projectile, PDFCS will display PROJECTILE/PROPELLANT MISMATCH menu. Pressing the CONTINUE Soft key on this menu will return operator to the INVENTORY MANAGEMENT menu, at which time the operator has to update SHELL/PROP inventory. On the next INVENTORY MANAGEMENT menu, press FINISHED to accept the FDC PROVIDED data. If you want to check the ammo inventory for accuracy, then box and select UPDATE SHELL, UPDATE PROP, and UPDATE FUZE one at a time (para M-6.2k(5)).
- e. Site Definition. To use Site data obtained from FDC in the step above, box SITE DATA on the SETUP AND INFORMATION menu, press SELECT key and SITE DEFINITION menu will be displayed. Box GET FDC SITE and press SELECT key (This option will only be available if the POC has sent an AFU mask to the PDFCS). Press USE ALL, and the FDC provided Site Data will be used by the PDFCS.

M-7 PDFCS TRAVEL MODE.

During the travel mode the navigation system provides a continuous position data display to the operator. The data displayed on the EL Panel will show UTM coordinates for both position and destination. Also included is a graphic display showing where the vehicle is traveling in relation to destination. After alignment, the PDFCS will automatically go into travel mode when the howitzer starts to move.

M-7.1 Movement.

Once the howitzer has been initialized and the navigation system has had time to align, a CANCEL SOFT KEY will appear on the main menu. To view a SECTION IN ORDER AT INITIALIZATION POINT screen, press the CANCEL SOFT KEY



06pc148m

NOTE

- DO NOT MOVE the howitzer until you see OK TO MOVE OR SHOOT, ACK message.
- You may then move the howitzer or accept fire missions, but you can expect ZUPT requests during moves if the ALN_ _ _S is still counting down.

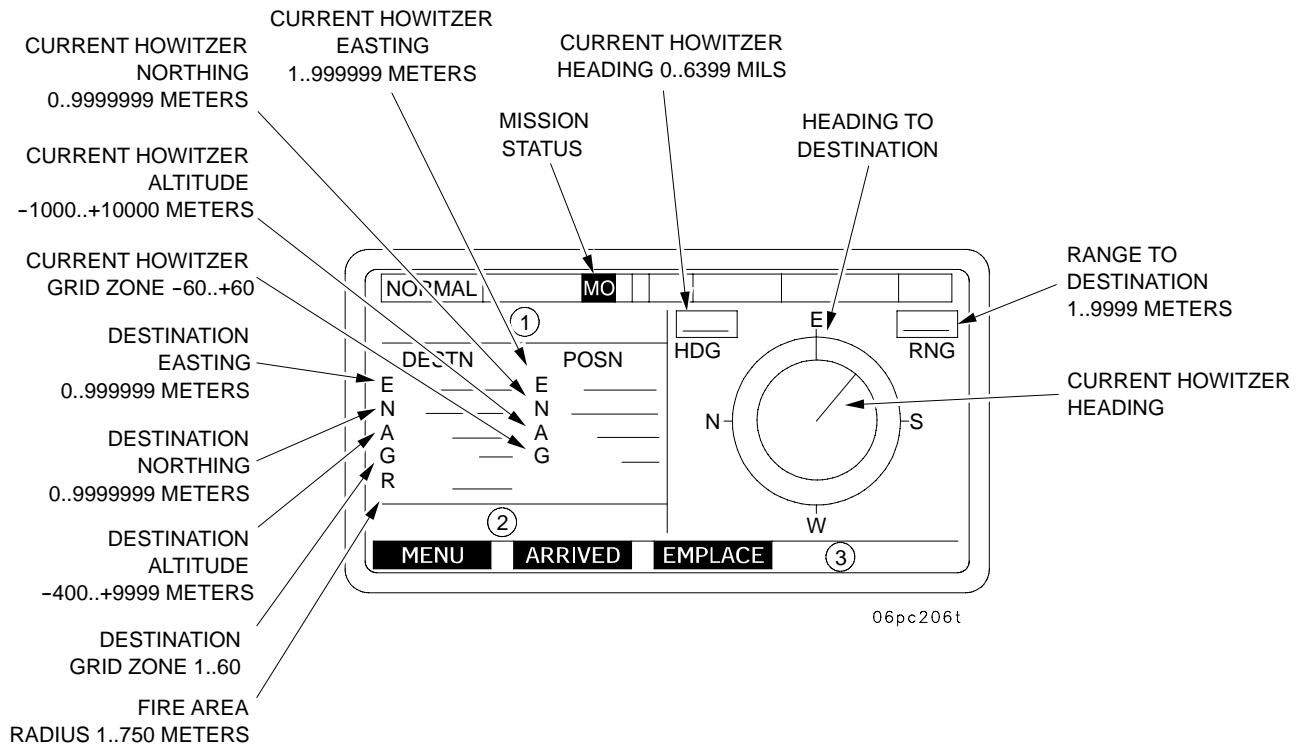
M-7.1.1 Move Order. Upon receipt of a Move Order, an audio alert will sound and an OPERATOR ALERT and a STEERTO/EMPLACEMENT screen will automatically appear if the system display was at a SECTION IN ORDER screen. If the SET UP AND INFORMATION screen is displayed a MOVE ORDER alert will appear in field 3 of the screen, and an OPERATOR ALERT, "MOVE MISSION" "ACK", will be displayed and the CANCEL soft key must be pressed to display the STEERTO/EMPLACEMENT screen. Once the vehicle has moved about 25 meters an audible and soft key alert "PRESS ACK WHEN TUBE STOWED" "ACK" will be displayed. Acknowledge the tube is stowed and press "ACK" soft key.

M-7 PDFCS TRAVEL MODE - CONTINUED

M-7.1 Movement - Continued

M-7.1.1 Move Order - Continued

STEERTO display screens:



- ① “STEERTO FIRE AREA” - Destination is Fire Area
 “STEERTO INIT POINT” - Destination is Initialization point
 “STEERTO LOG POINT” - Destination is Logistics Point
 “STEERTO FIRE POINT” - Destination is Fire Point
- ② “ORDERED MOVE IN PROGRESS”
 “STOP MOVING AND WAIT”
 “MOVE IN PROGRESS”
 “NO AUTHORITY OR ORDERS TO MOVE”
 “AWAITING START OF ORDERED MOVE”
 “DO NOT START ORDERED MOVE”
- ③ “ZUPT REQUIRED”
 “NAV POS UPDATE REQUIRED”

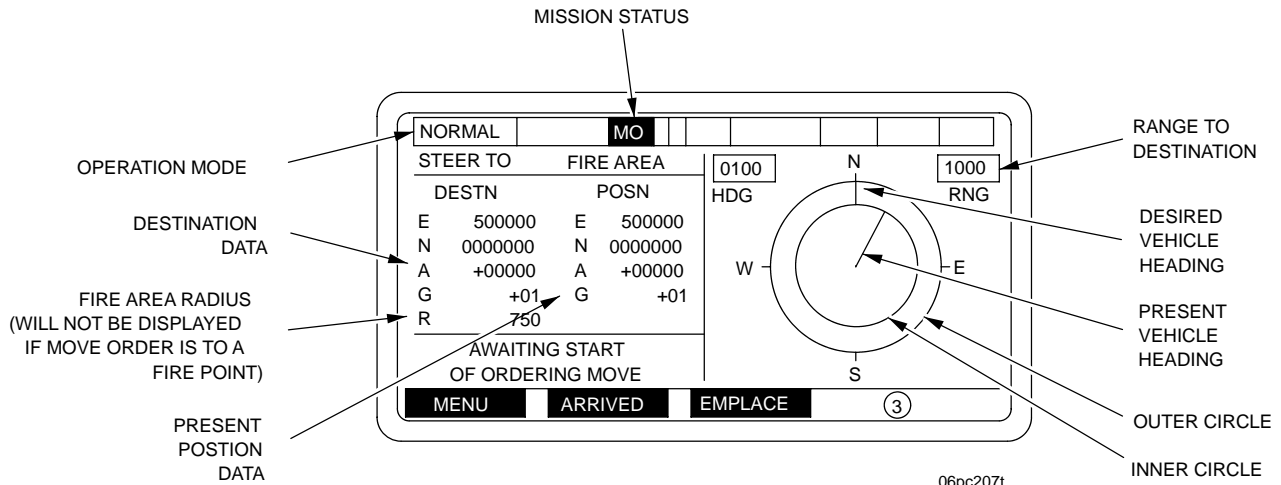
M-7 PDFCS TRAVEL MODE - CONTINUED

M-7.1 Movement - Continued

M-7.1.1 Move Order - Continued

The STEER TO FIRE AREA screen contains the following:

- MO - Describes Move Order status.
- DESTN - Indicates destination coordinates: (E) Easting, (N) Northing, (A) Altitude, (G) Grid Zone, (R) Radius of operating area,
- POSN - Indicates present howitzer position: (E) Easting, (N) Northing, (A) Altitude, (G) Grid Zone.
- HDG - Howitzer's numerical heading in Mils (Azimuth).
- RNG - Range to destination in radial distance.
- Graphic Display - N, E, S, W on outer circle, indicates North, East, South and West and rotates like a compass. The line running from the center of display to edge of the inner circle indicates present vehicle heading. The line between the inner and outer circle indicates the desired heading. When these two lines are aligned, the vehicle is traveling toward destination.



M-7 PDFCS TRAVEL MODE - CONTINUED

M-7.1 Movement - Continued

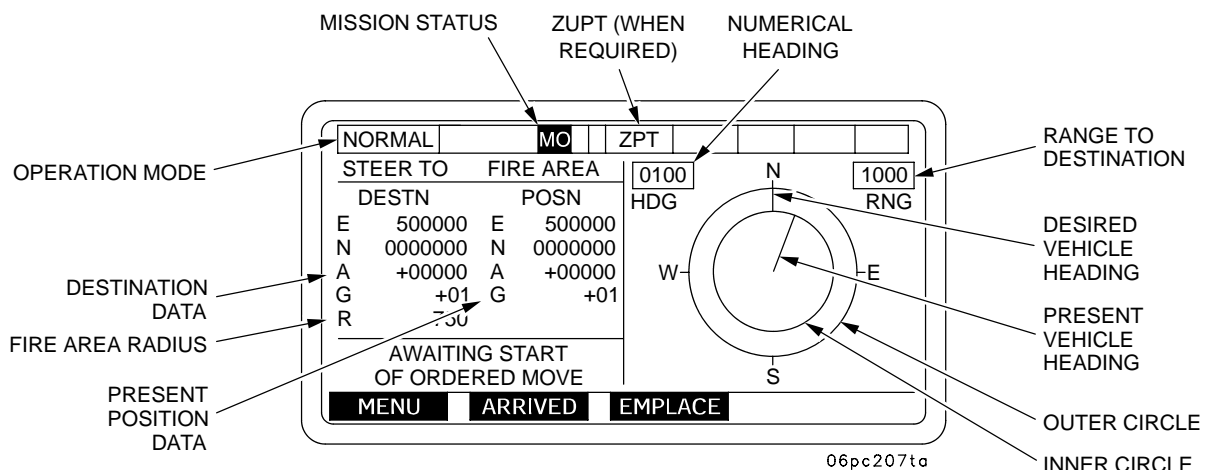
M-7.1.2 Moving. During movement of the howitzer, the STEER TO FIRE AREA screen will assist the operator in locating his destination. While the howitzer is on the move, the following will occur:

- The graphic portion of the display will indicate the howitzer's movement by the outer circle of the display moving according to the vehicle heading. The line from center of the display to the inner circle will move as the howitzer changes directions.
- The alphanumeric portion of the display under POSN will provide the operator with his current position constantly. The display above HDG will change as the howitzer changes headings and the display above RNG will change to indicate whether the movement is away from destination (increase) or toward destination (decrease).
- Navigation system update may occur (zero velocity update) to maintain location accuracy.

M-7.1.3 Zero Velocity Updates. "Periodic Zero Velocity Updates (ZUPT) may be required if the VMS fails or is out, and the GPS is not valid. ZUPTs are required to increase the accuracy of the Navigation Subsystem. To insure proper Navigation Subsystem Operation and to maintain system performance accuracies, ALL Requested ZUPTs must be honored." When an update is required, the PDFCS will notify the operator with an audible alert and "ZPT" will appear in Field 6 and a soft key alert "ZUPT REQUIRED", "ACK". To accomplish a ZUPT, perform the following steps:

- Stop the vehicle as soon as possible after the alert (the less time traveled between each ZUPT, the better the system accuracy).
- Press ACK key to acknowledge operator alert.
- Remain stopped until ZUPT is complete. ZUPT is done automatically during this period.

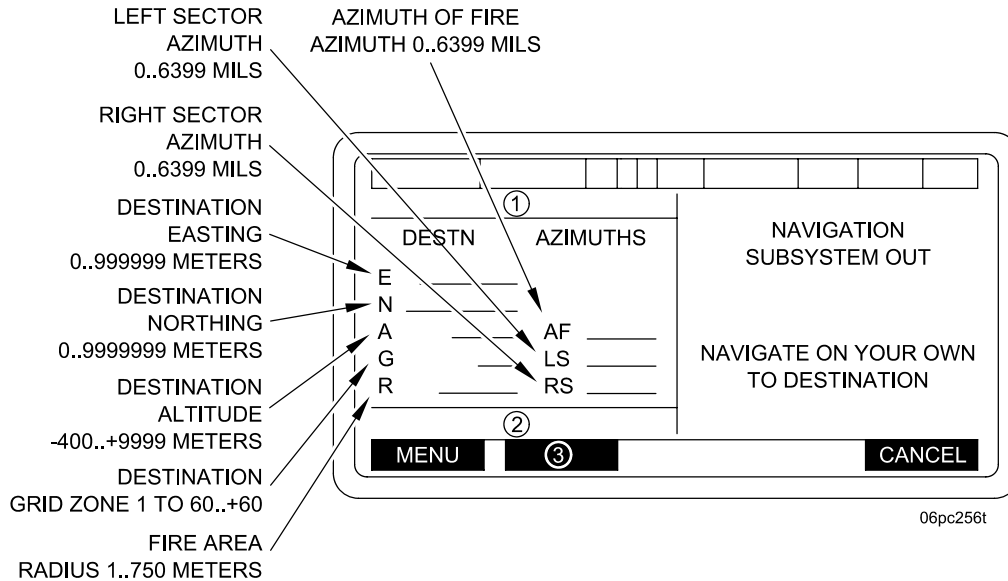
When the ZUPT is complete, another operator alert will be displayed, "ZUPT NO LONGER REQUIRED", "ACK". "ZPT" is no longer displayed in status line. Press ACK key, then vehicle movement can be continued.



M-7 PDFCS TRAVEL MODE - CONTINUED

M-7.1 Movement - Continued

M-7.1.4 Moving with Navigation System Degraded. If a navigation system failure occurs while the howitzer is moving, the operator will be alerted visually with a NAVIGATE ON YOUR OWN TO DESTINATION display. The chief of section must use established navigation procedures to reach the destination shown. If only the PLGR is operational there will be no HDG information on the display.



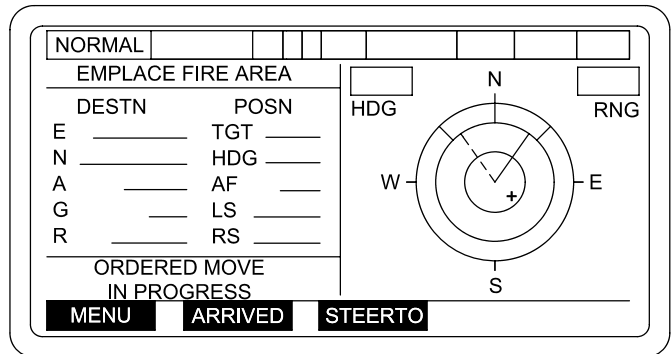
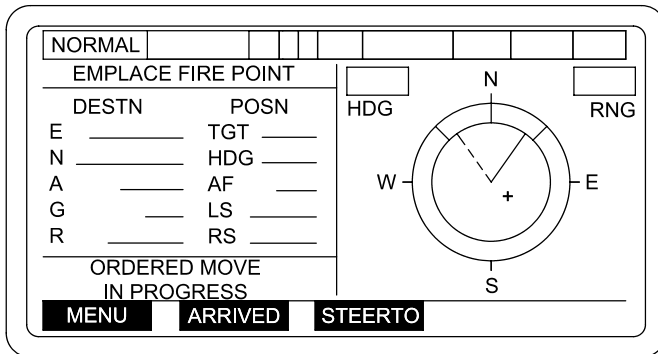
- ① "DEGRADED FIRE AREA" - Destination Is Fire Area
 "DEGRADED INIT POINT" - Destination Is Initialization Point
 "DEGRADED LOG POINT" - Destination Is Logistics Point
 "DEGRADED FIRE POINT" - Destination Is Fire Point
- ② "ORDERED MOVE IN PROGRESS"
 "STOP MOVING AND WAIT"
 "MOVE IN PROGRESS"
 "NO AUTHORITY OR ORDERS TO MOVE"
 "AWAITING START OF ORDERED MOVE"
 "DO NOT START ORDERED MOVE"
- ③ "MOVING" soft key only appears when the Navigation System is DEGRADED. Press "MOVING" soft key after vehicle starts moving. Press "ARRIVED" key when vehicle has arrived at destination.

M-7 PDFCS TRAVEL MODE - CONTINUED

M-7.2 Emplacement Fire Point/Fire Area.

When the howitzer enters the radius the PDFCS will display the Emplacement at a FIRING AREA/POINT screen depending on type of MOVE ORDER received.

The EMPLACE FIRE POINT screen is also used for DESTINATION TYPES, INITIALIZATION POINT and LOGISTICS POINT emplacement.

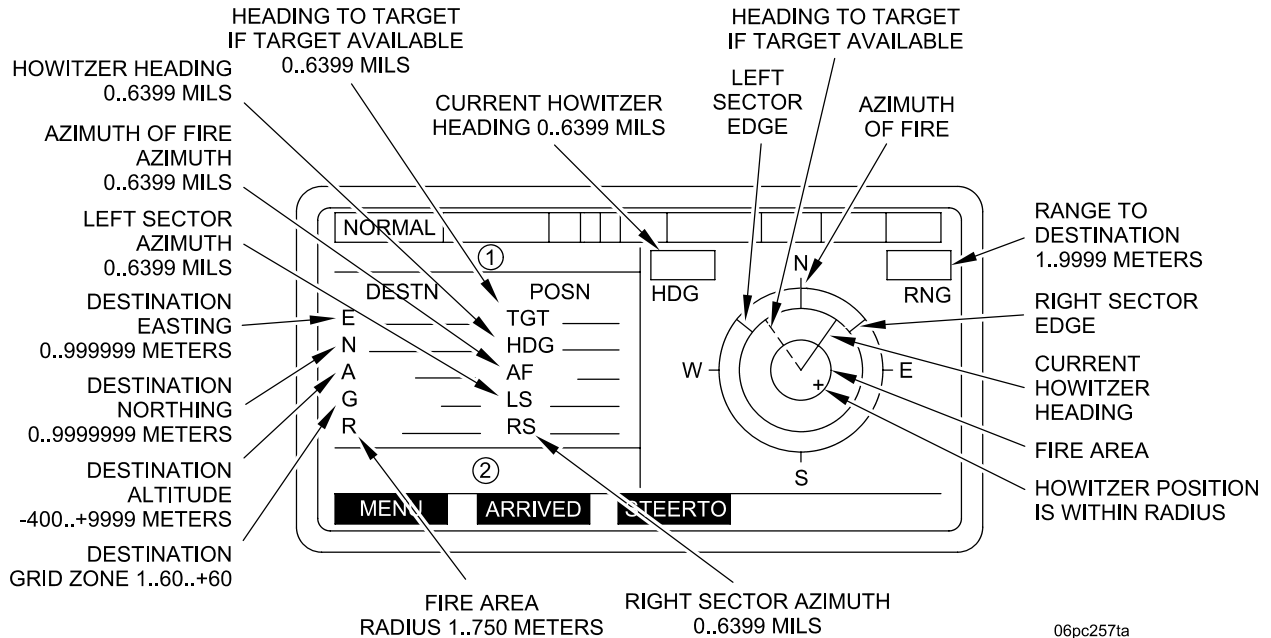


06pc257t

M-7 PDFCS TRAVEL MODE - CONTINUED

M-7.2 Emplacement Fire Point/Fire Area - Continued

EMPLACE FIRE AREA Screen - The data on the EMPLACE FIRE AREA screen is the same as the STEER TO FIRE AREA screen with the following exceptions:



06pc257ta

- ① "EMPLACE FIRE AREA" - Destination Is Fire Area
- "EMPLACE INIT POINT" - Destination Is Initialization Point
- "EMPLACE LOG POINT" - Destination Is Logistics Point
- "EMPLACE FIRE POINT" - Destination Is Fire Point
- ② "ORDERED MOVE IN PROGRESS"
- "STOP MOVING AND WAIT"
- "MOVE IN PROGRESS"
- "NO AUTHORITY OR ORDERS TO MOVE"
- "AWAITING START OF ORDERED MOVE"
- "DO NOT START ORDERED MOVE"

M-7 PDFCS TRAVEL MODE - CONTINUED

M-7.2 Emplacement Fire Point/Fire Area - Continued

- a. Plus Sign - Represents the vehicle. When the vehicle is within the allowable move area assigned by the Platoon Operation Center (POC), the "+" will appear on the display. As the vehicle moves, the plus sign will also move, indicating direction of travel.
- b. Inner Circle - Represents the Allowable Movement Area and will vary in size. This is determined by the radius of the Fire Area and is assigned by POC with a Move Order. This circle is an Emplacement Aid.

NOTE

- If EMPLACEMENT screen was accessed prior to arriving at next firing area the EMPLACEMENT screen may not display automatically.
 - Once the vehicle is within the inner circle (shown by the + sign) the CHIEF OF SECTION may choose his emplacement position to take advantage of terrain features.
- c. The line running from middle circle to outer circle between N and E represents Right Sector of Fire and the line between N and W represents Left Sector of Fire. The line under N represents Azimuth of Fire. The sector of fire is assigned by POC with the Move Order.
 - d. Solid Line - Represents the current heading. It extends from the center of the smallest circle to the edge of the middle circle. When this line is aligned with the line under the "N," the vehicle is travelling toward the ordered destination.
 - e. Dotted Line - Represents the gun-target line to a Final Protective Fire (FPF) target (if stored on PDFCS) and is designated by the POC.
 - f. Destination - Represented by the intersection of the solid line and the dotted line at the center of the smallest circle.
 - g. Azimuths - Display of azimuths in Mils to TGT (FPF target if one exists), HDG (present howitzer heading), AF (Azimuth of Fire), LS (Left Sector of Fire), RS (Right Sector of Fire).

M-7 PDFCS TRAVEL MODE - CONTINUED

M-7.2 Emplacement Fire Point/Fire Area - Continued

M-7.2.1 Emplacing. Once the plus sign is within the designated firing area the howitzer has reached its destination. The howitzer is then maneuvered until vehicle heading (solid line from the center of the smallest circle to the edge of the middle circle) is aligned as closely as possible with the Azimuth of Fire Line (center solid line between the middle and outer circle). When these lines are aligned, the howitzer is roughly laid on the Azimuth of LAY.

NOTE

- DRUH position data improves approximately 30 seconds after the howitzer is stopped. The chief of section has the option of awaiting this time and then pressing the ARRIVED soft key to achieve optimum positioning data. However, this option should not be considered during an emergency fire mission (EMERGENCY MISSION).
- Before pressing ARRIVED key you must record your position data and Azimuth of Fire (Base Azimuth) in case the PDFCS fails.
- If cab-side VMS modem is disconnected and position data is not available from the PLGR, the DRUH position data will degrade even though the howitzer is not moving. This data may degrade to the point where the navigation subsystem will be declared out.
- The soft key under ARRIVED on the MOVE ORDER screen must be pressed before the gun tube is unstowed from travel lock. This action establishes the TUBE STOW (travel lock) position. Pressing the STOW key will move the tube back to this azimuth.
- If EMPLACEMENT screen was accessed prior to arriving at next firing area the EMPLACEMENT screen may not display automatically.
- Once the vehicle is within the inner circle (shown by the + sign) the CHIEF OF SECTION may choose his emplacement position to take advantage of terrain features.

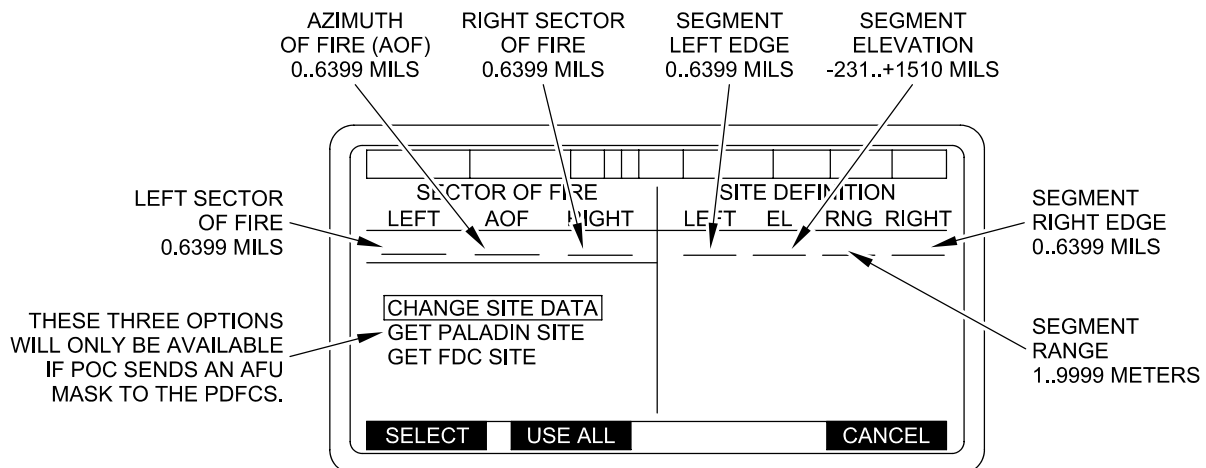
M-7 PDFCS TRAVEL MODE - CONTINUED

M-7.2 Emplacement Fire Point/Fire Area - Continued

M-7.2.1 Emplacing - Continued

- When emplacing the howitzer, the Azimuth of Fire (Azimuth of LAY) from the Move Order is the azimuth the PDFCS holds as the "Base Azimuth" (the 3200 deflection reference position). This is the azimuth used by the PDFCS to compute ballistic data, and is also sent to the FDC in the PIECE STATUS (HOW: UPDATE) message for ballistic computations at the FDC.
- When emplacing at a FIRING POINT the howitzer range must be 50 meters or less. (Optimum 10 meters or less.)

Press the ARRIVED soft key on the EMLACE FIRE AREA or Fire Point Site Definition screen to display a SITE DEFINITION screen. Take the tube out of travel lock.



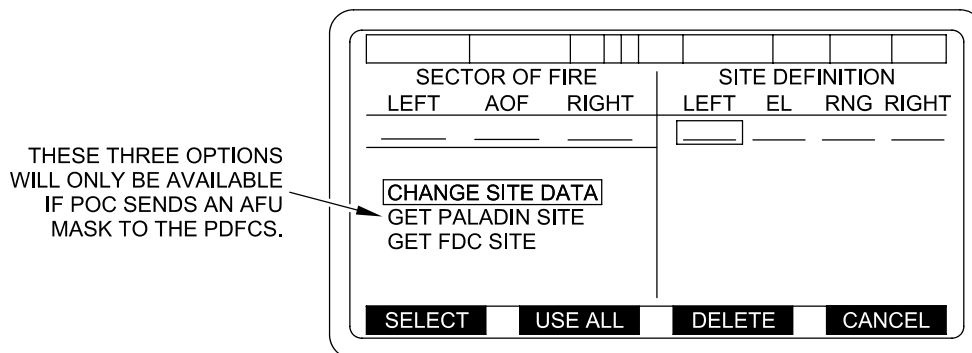
AUTOMATIC SELECTION, "BOXING" will occur starting from field LEFT and then continuing from LEFT to RIGHT, to field EL RNG and RIGHT, after each previous entry has been ENTERED.

M-7 PDFCS TRAVEL MODE - CONTINUED

M-7.2 Emplacement Fire Point/Fire Area - Continued

M-7.2.2 SITE DATA. Identifies left and right limits, range and elevation in mils, and is used to ensure that all rounds clear crests within the howitzer’s SECTOR OF FIRE. Up to eight sets of site definition data can be entered. Site definition data is determined using the same procedures as SITE TO CREST (sighting through the cannon tube). This data is entered using the SITE DEFINITION screen as follows:

- a. Obtain SECTOR OF FIRE data from POC. Normally Azimuth of Fire, Left and Right Sector limits will be provided by the POC in the Move Order and will be displayed automatically on the SITE DEFINITION menu on the left side of the screen under LEFT AOF RIGHT headings.
- b. Press the DELETE key to remove SITE DATA from previous occupation. Box in limit under column to be changed and press the SELECT key.



06pc332t

- c. One Line SITE DATA (For Initial Occupation). Pressing the ARRIVED key, the COS must obtain One Line SITE DATA. After removing the gun tube from the travel lock, the COS brings the cursor box to the left limit and presses SELECT, then traverses the gun tube to the left while monitoring the Azimuth readout until he reaches at least one mil beyond the Left limit, then presses ENTER. While the GUNNER sights through the gun tube, the COS elevates or depresses the gun tube to obtain immediate crest. COS brings the cursor box to the Right limit and presses SELECT, then COS traverses the gun tube to the Right limit while the GUNNER sights through the gun tube. COS elevates gun tube upon the COMMAND “Elevate” from the GUNNER when the GUNNER needs to clear an obstruction until the COS reaches the Right limit while monitoring the Azimuth readout, then presses ENTER. Before moving the gun tube, COS then cursors to the entry under EL, presses SELECT and ENT to obtain elevation to immediate Crest. COS then cursors to entry under Range, presses SELECT and ENT and inputs RANGE TO CREST from the numeric PDFCS keypad and presses ENT. Upon completion of One Line SITE DATA the COS then presses USE ALL to input MIN QE.

M-7 PDFCS TRAVEL MODE - CONTINUED

M-7.2 Emplacement Fire Point/Fire Area - Continued

M-7.2.2 Site Data - Continued

NORMAL									
SECTOR OF FIRE					SITE DEFINITION				
LEFT	AOF	RIGHT			LEFT	EL	RNG	RIGHT	
—	—	—			—	—	—	—	
TYPE MINIMUM FIRING QE IN MILS -231 TO 1510 -PRESS ENTER KEY-									
1333									
+/-									

06pc215t

Pressing the ENTER key will display SECTION IN ORDER menu. During NORMAL OPERATIONS the last value entered shall be displayed.

- d. MINIMUM QUADRANT ENTRY. Upon completion of One Line SITE DATA, press USE ALL and a display will appear in the left side of the SITE DEFINITION screen. Enter the MIN QE obtained from the POC for the current position. Upon voice verification of the MIN QE with the POC, press the ENT key. This will display the SECTION IN ORDER at FIRING AREA/POINT screen.
- e. Send piece status to POC.

NOTE

COS will obtain MAX QE and send updated piece status to POC (see para M-8.7.3).

M-7.2.2.1 SITE DEFINITION screen display. With the GUNNER sighting through the tube, the COS elevates or depresses the gun tube to obtain immediate Crest. COS traverses right while the GUNNER looks through the gun tube. When an obstruction appears, data for the Left limit SITE DEFINITION can be entered by pressing the ENT key. The SITE DEFINITION screen with Left Azimuth will be displayed. Perform steps d and e to establish 6400 mils SITE DEFINITION.

NOTE

This procedure is conducted as part of Position Improvement.

M-7 PDFCS TRAVEL MODE - CONTINUED

M-7.2 Emplacement Fire Point/Fire Area - Continued

M-7.2.2 Site Data - Continued

CURRENT TUBE AZIMUTH AND ELEVATION IS DISPLAYED WHEN SELECT IS PRESSED. AS THE TUBE IS MOVED THE AZIMUTH AND ELEVATION DISPLAY WILL BE UPDATED. NOT PRESENT IF NAV DEGRADED

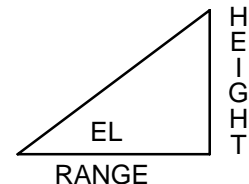
06pc211t

① THE FOLLOWING PROMPTS ARE DISPLAYED DEPENDING ON WHICH FIELD IS SELECTED:

<p>WHEN “LEFT” IS SELECTED</p> <p>MOVE TUBE OR TYPE LEFT EDGE OF SITE</p> <p>IN MILS:</p> <p>0 TO 6399</p> <p>-PRESS ENT KEY-</p>	<p>WHEN “EL” IS SELECTED</p> <p>MOVE TUBE OR TYPE ELEVATION OF SITE</p> <p>IN MILS:</p> <p>-231 TO 1510</p> <p>-PRESS ENT KEY-</p>
<p>WHEN “RNG” IS SELECTED</p> <p>TYPE RANGE TO SITE</p> <p>IN METERS:</p> <p>1 TO 9999</p> <p>-PRESS ENT KEY-</p>	<p>WHEN “RIGHT” IS SELECTED</p> <p>MOVE TUBE OR TYPE RIGHT EDGE OF SITE</p> <p>IN MILS:</p> <p>0 TO 6399</p> <p>-PRESS ENT KEY-</p>

NOTE: MASK HEIGHT CANNOT EXCEED 10,000 METERS, THEREFORE:

- (A) UPPER LIMIT ON RANGE WILL CHANGE DEPENDING ON CURRENT MASK ELEVATION
- (B) UPPER LIMIT ON ELEVATION WILL CHANGE DEPENDING ON CURRENT MASK RANGE



NOTE: WHEN CURRENT TUBE POSITION IS USED TO SET MASK ELEVATION: IF THE RANGE FIELD CONTAINS AN ENTRY WHICH RESULTS IN A MASK EXCEEDING 10,000 METERS, THE RANGE FIELD WILL BE RESET TO THE MAXIMUM ALLOWED VALUE AND THE FOLLOWING MESSAGE WILL BE DISPLAYED: **“WARNING - RANGE SET TO MAXIMUM”, “ACK”**

AUTOMATIC SELECTION, “BOXING” will occur starting from field LEFT and then continuing from LEFT to RIGHT, to field EL, RNG, and RIGHT, after each previous entry has been ENTERED.

M-7 PDFCS TRAVEL MODE - CONTINUED

M-7.2 Emplacement Fire Point/Fire Area - Continued

M-7.2.2 Site Data - Continued

- a. Select column (LEFT) to display left limit SITE DEFINITION screen. Data for this limit can be typed in, or use tube position. Enter data by pressing ENT key.

SECTOR OF FIRE: LEFT, AOF, RIGHT

SITE DEFINITION: LEFT, EL, RNG, RIGHT

MOVE TUBE OR TYPE LEFT EDGE OF SITE IN MILS: 0 TO 6399 - PRESS ENT KEY -

DELETE CANCEL

06pc329t

NOTE

Numerical value must be entered before sign.
Default sign is (+).

Upper limit on elevation will change depending on current mask range. If range is blank, default shall be 1510.

- b. Select next limit column (EL) to display Elevation SITE DEFINITION screen. Enter elevation data in the same manner as left limit (type in data or use gun tube position). If elevation is below zero, press +/- key to place minus sign in front of numbers to be entered (used only when typing in data). Press ENT key.

NORMAL

SECTOR OF FIRE: LEFT, AOF, RIGHT

SITE DEFINITION: LEFT, EL, RNG, RIGHT

MOVE TUBE OR TYPE ELEVATION OF SITE IN MILS: -231 TO 1510 - PRESS ENT KEY -

+/-

DELETE CANCEL

SEGMENT ELEVATION

ELEVATION ENTRY ONLY

06pc330t

M-7 PDFCS TRAVEL MODE - CONTINUED

M-7.2 Emplacement Fire Point/Fire Area - Continued

M-7.2.2 Site Data - Continued

NOTE

Upper limit on range will change depending on current mask elevation. If elevation is blank, default shall be 9999.

- c. Select next limit column (RNG) to display the Range SITE DEFINITION screen. Enter range to crest and press ENT key. (Data for this must be typed in; gun tube position cannot be used.)

06pc334t

- d. Select next limit column (RIGHT) to display the right limit SITE DEFINITION screen. Data for this limit can be typed in, or use tube position. Enter data by pressing ENT key.

06pc335t

- e. Using arrow key, move cursor box to next available line and to the left and identify next obstruction.
- f. Sequence can be repeated as many as seven times if needed.

M-7.2.3 Section In Order. When all data is correct, press ENTER key. This will bring up a SECTION IN ORDER WITHIN FIRE AREA or SECTION IN ORDER AT FIRE POINT screen depending on whether the Move Order was a move to a FIRE AREA or FIRE POINT. An ordered move of any other type would be indicated as such in field 11 of the menu.

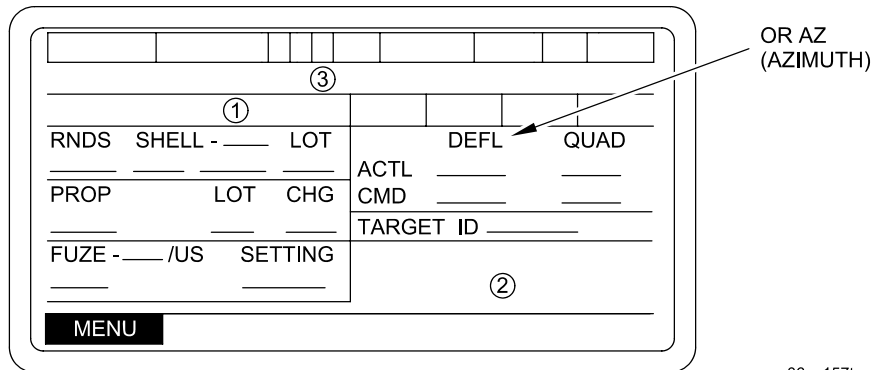
M-7 PDFCS TRAVEL MODE - CONTINUED

M-7.2 Emplacement Fire Point/Fire Area - Continued

M-7.2.3 Section In Order - Continued

NOTE

- When SECTION IN ORDER screen is displayed, the commanded deflection (CMD DEFL) may be either: 1) the Azimuth of Fire (Azimuth of LAY) from the Move Order, expressed at 3200 deflection. Since this is also the “Base Azimuth” position (the difference between the 3200 reference and the ordered Azimuth of LAY); or 2) if a Final Protective Fire (FPF) or Priority (PRI) target has been designated by the POC, the CMD DEFL will be the deflection from “Base Azimuth” to the FPF; or 3) when a Manual Move Order has been done, the CMD DEFL is the default Azimuth of Fire (Base Azimuth) entered upon initialization.
- LOAD/LAY and STOW will not be displayed unless the gun switch is in the ON position.



06pc157e

Listed below are the legal values for each field of the SECTION IN ORDER display:

- RNDS = Number of rounds remaining to fire 0..99 or blank
- SHELL = Shell model and mnemonic or blank
- SHELL LOT = A..Z or blank
- PROP = Propellant model
- PROP LOT = A..Z or blank
- PROP CHG = Propellant charge designator (see Table M-1) or blank
- FUZE = Fuze model and mnemonic
- FUZE SETTING = Computed fuze setting, “PD” or “DELAY”
- DEFL (or AZ) = 0.0..6399.9 mils
- QUAD = -200.0..+1600.0 mils
- TARGET ID = FPF/PRI target identification if a target exists; otherwise blank

M-7 PDFCS TRAVEL MODE - CONTINUED

M-7.2 Emplacement Fire Point/Fire Area - Continued

M-7.2.3 Section In Order - Continued

Instructions and warnings which could appear on the SECTION IN ORDER display:

- ① Blank
COMPUTING FPF/PRI
NO FPF/PRI EXISTS
UNABLE TO COMPUTE
SECTOR VIOLATION
MASK VIOLATION
INSUFFICIENT AMMO
NO FUZE INVENTORY
NO PROJ INVENTORY
NO PROP INVENTORY
BAD PROJ LOT/MODEL
NO AMMO INV COMBO
INVALID AMMO COMBO
INSUFFICIENT RANGE
NO SOLUTION
NOT FFE TYPE MISSION
UNASSIGNED FPF/PRI
TARGET TOO CLOSE
TUBE EL VIOLATION
- ② SECTION IN ORDER AT FIRE POINT
SECTION IN ORDER WITHIN FIRE AREA
SECTION IN ORDER IN ROUTE POINT (Only displayed when the destination is not reached for a Fire Point or a Fire Area)
- ③ DO NOT MOVE/DO NOT LOAD
DO NOT MOVE
MOVES ALLOWED
MOVES ALLOWED DO NOT LOAD

M-7.2.4 Establish Distant Aiming Point or Set Collimator (Optional).

NOTE

If time permits, the crew should set out collimator or select a DAP and set the PANTEL with the tube "Base Azimuth". If this is not possible immediately, traverse back to "Base Azimuth" using one of the following procedures based on the conditions indicated on the SECTION IN ORDER screen.

M-7 PDFCS TRAVEL MODE - CONTINUED

M-7.2 Emplacement Fire Point/Fire Area - Continued

M-7.2.4 Establish Distant Aiming Point or Set Collimator (Optional) - Continued

- a. Use this procedure when the CMD DEFL reads 3200 deflection and there is no FPF nor PRIORITY (PRI) target displayed on the SECTION IN ORDER screen. Under these conditions, CMD DEFL is using the Azimuth of Fire (Base Azimuth). To move the tube to Base Azimuth, 1) Turn on hydraulic power, 2) Set GUN SERVO switch to ON, and 3) Press/hold the LOAD key until the LOAD indicator is highlighted in the upper right corner of the screen. Tube is now laid on Azimuth of Fire (Base Azimuth) and both the ACTL DEFL and CMD DEFL should read 3200. 4) Sight onto the Collimator or the DAP and set 3200 Deflection on the PANTEL.
- b. Use this procedure when the CMD DEFL shows a deflection other than 3200 and there is either an FPF or PRIORITY (PRI) target displayed on the SECTION IN ORDER screen. The CMD DEFL is the Firing Azimuth for the FPF/PRI target, so the LOAD key cannot be used to move the tube to 3200 deflection. Under these conditions, 1) use the Hydraulic Power Handle Controls to traverse the tube until the ACTL DEFL reads 3200 deflection. Tube is now laid on Center of Sector (Base Azimuth). 2) Sight onto the Collimator or the DAP and set 3200 Deflection on the PANTEL.

NOTE

If the PDFCS fails, use the Azimuth of Fire recorded during emplacement as Azimuth of LAY (Base Azimuth) and use reciprocal lay procedures with the aid of an operational howitzer.

M-7.2.5 Final Laying of Gun Tube at FIRING AREA. It is necessary to lay the gun tube on the Azimuth of Fire (from MOVE ORDER) or the FPF/PRI azimuth/deflection. The SECTION IN ORDER screen will show a difference between the ACTL DEFL and the CMD DEFL. The ACTL and CMD values must be the same for the gun tube to be laid. To accomplish this: 1) set GUN SERVO switch to ON, and 2) depress and hold LOAD key (para M-4). The gun will traverse to the CMD DEFL (match ACTL and CMD) and to the LOAD ELEVATION stored at initialization. When the LOAD indicator is highlighted, release the LOAD key.

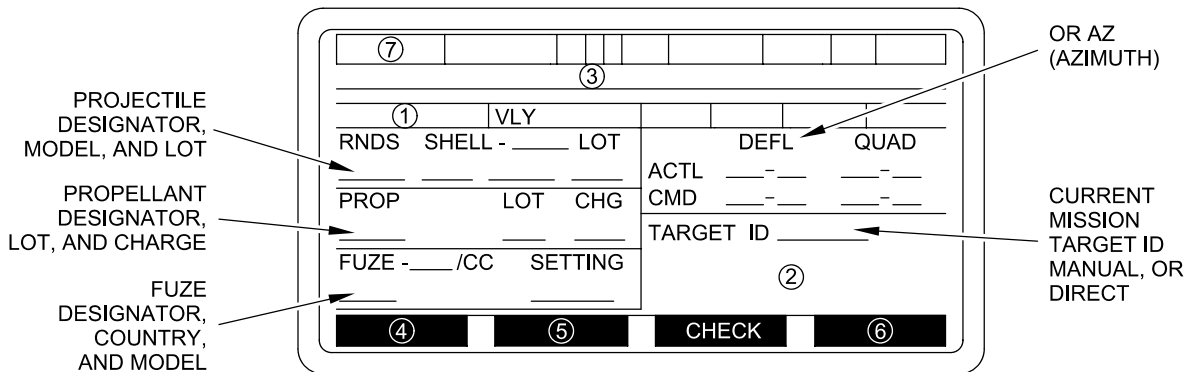
M-8 PDFCS FIRE MISSION.

Fire missions are usually generated as a result of a message from the FDC to the PDFCS. Included in the message are target location, method of control, and ammunition to fire (if ammunition is not specified the PDFCS will default to its own selection). When the message is received by the PDFCS, a FIRE MISSION display is displayed on the PDU and an audible alert is sounded through the intercom system. The Ballistics Computer will then compute the ballistics (azimuth and quadrant), based on ammunition data (projectile, propellant, and fuze), target location and the location of the howitzer (provided by the navigation system). The ballistic solution is then displayed on the FIRE MISSION display.

A typical FIRE MISSION display contains the following:

WARNING

The crew compartment must be adequately ventilated during all firing using the LEAD FILTER or ventilation system in accordance with para 2-22.2.



06pc242t

Listed below are the legal values for each field of FIRE MISSION display.

VLY / = Current volley being displayed; 1/1, 1/2 or 2/2

NOTE

The 1/1, 1/2, and 2/2 data shall not be displayed for operator initiated fire missions and missions that are in fire commands format.

- RNDS = Number of rounds remaining to fire 1..9
- SHELL = Shell model and mnemonic
- SHELL LOT = A..Z
- PROP = Propellant model
- PROP LOT = A..Z
- CHG = Propellant charge designator (see Table M-1)
- FUZE = Fuze model, Country and mnemonic
- SETTING = Computed fuze setting, "PD" or "DELAY"
- DEFL (or AZ) = 0.0..6399.9 mils
- QUAD = -200.00..+1600.0 mils
- TARGET ID = Current mission target identification

M-8 PDFCS FIRE MISSION - CONTINUED

Instructions and warnings which could appear on the FIRE MISSION display:

- ① Blank = Fire mission is not a sheaf
 SHEAF PT = This gun is participating in a multi-gun sheaf
 SHEAF a/s = This run is conducting a single gun sheaf where: a. Current aimpoint number;
 b. Number of sheaf points
- ② Blank - Displayed when none of the following apply
 SAFE FIRE AREA VIOLATION = The aimpoint or trajectory termination is outside of the received Safe Fire Area.*
 REMEMBER TO UPDATE INVENTORY = Direct or manual fire mission and none of the following apply.
 WARNING TUBE IS NOT IN LAY POSITION = WC is operational and the tube is not in the lay window.
 TUBE MUST BE LAID MANUALLY = WC is not operational.
 CALL FDC IF ROUND IN TUBE = Awaiting tube clear and crew not authorized to fire.
 PRESS SHOT OR CLEAR TO ACK CEASELOAD = PDFCS has received a ceaseload request.
 Min QE violated ACK.
 SECTOR OF FIRE VIOLATION = Gun-target line is outside the defined sector of fire.*
 SITE VIOLATION = Firing parameters violate defined mask.*
 INSUFFICIENT AMMO SHELL/FUZE/PROP = Insufficient inventory quantities.*
 INSUFFICIENT AMMO SHELL/FUZE = Insufficient inventory quantities.*
 INSUFFICIENT AMMO SHELL/PROP = Insufficient inventory quantities.*
 INSUFFICIENT AMMO FUZE/PROP = Insufficient inventory quantities.*
 INSUFFICIENT AMMO SHELL = Insufficient inventory quantities.*
 INSUFFICIENT AMMO FUZE = Insufficient inventory quantities.*
 INSUFFICIENT AMMO PROP = Insufficient inventory quantities.*
 MAX TUBE EL EXCEEDED = Computed QE exceeds the defined maximum tube elevation.*
 MINIMUM QE VIOLATED = The Gun Tube has violated the minimum QE as entered by the PDFCS operator in the Enter Minimum Firing QE Display.*
- ③ FIRE WHEN READY = Fire at will
 UNDER VOICE ORDERS = Manual fire mission
 COMPUTING DO NOT LOAD = PDFCS computing or waiting for operator response
 DO NOT LOAD = Do not load missions
 LOAD LAY THEN PRESS READY = At my command or Copperhead mission
 WAIT FOR COMMAND = At my command after ready
 WAIT NNN SECONDS = Time to fire mission or continuous interval mission. NNN maximum number is 999. If greater than 999 seconds = WAIT *** SECONDS
 WAIT NNN SECONDS - FDC COMP = WAIT NNN SECONDS = Time to fire mission or continuous interval mission. NNN maximum number is 999. If greater than 999 seconds = WAIT *** SECONDS
 FIRE = COMMAND TO FIRE
 PPF END OF MISSION = EOM or ceaseload during PPF
 EARLY END OF MISSION = EOM received after load but before all rounds fired
 CEASELOAD = Ceaseload received after load but before all rounds fired

M-8 PDFCS FIRE MISSION - CONTINUED

- 4 Blank indicates that none of the following apply:
SHOT = AFCS requires notification of round fired
READY = AFCS requires notification of operator ready to fire
- 5 Blank indicates that one of the following apply.
CLEAR = PDFCS requires notification of tube clear
OTHER VLY = Other volley information is available for operator viewing
- 6 Blank indicates that one of the following apply.
ABORT = Fire mission other than direct or manual active
EOM = Direct or manual mission active
- 7 "MV" = A valid "MV" was received from the MVS.
"BAD MV" = An MV message was received from the MVS, but the data was not valid.
"NO MV" = No MV message was received from the MVS.

NOTE

Alerts listed in item 2 above with asterisks will result in an "OK TO SHOOT?", "YES", "NO" short error message to the PDFCS operator.

The following alerts shall appear if the operator presses the LOAD or LAY keys and the tube transitions across the minimum quadrant elevation:

MINIMUM QE VIOLATED ACK

The Gun Tube has violated the minimum QE as entered by the PDFCS operator in the Enter Minimum Firing QE Display. An audio alert shall sound until the ACK key is pressed.

MINIMUM QE NO LONGER VIOLATED ACK

The Gun Tube no longer violates the minimum QE as entered by the PDFCS operator in the Enter Minimum Firing QE Display. An audio alert shall sound until the ACK key is pressed.

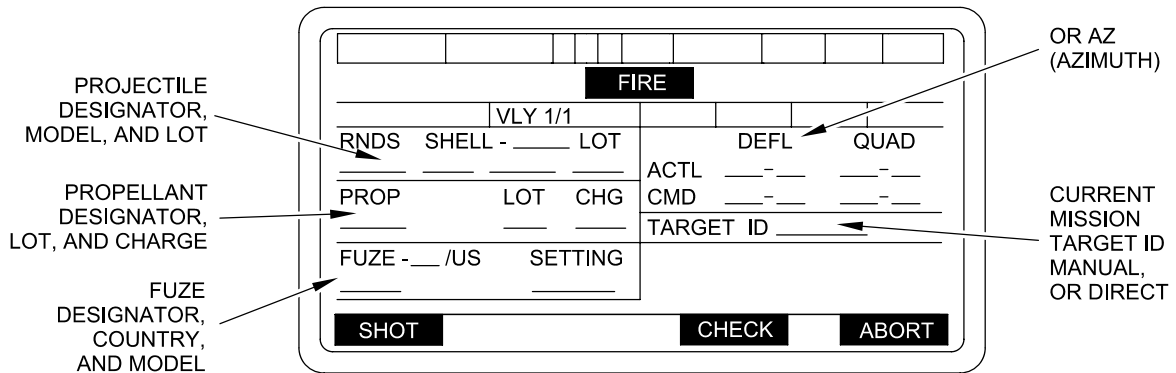
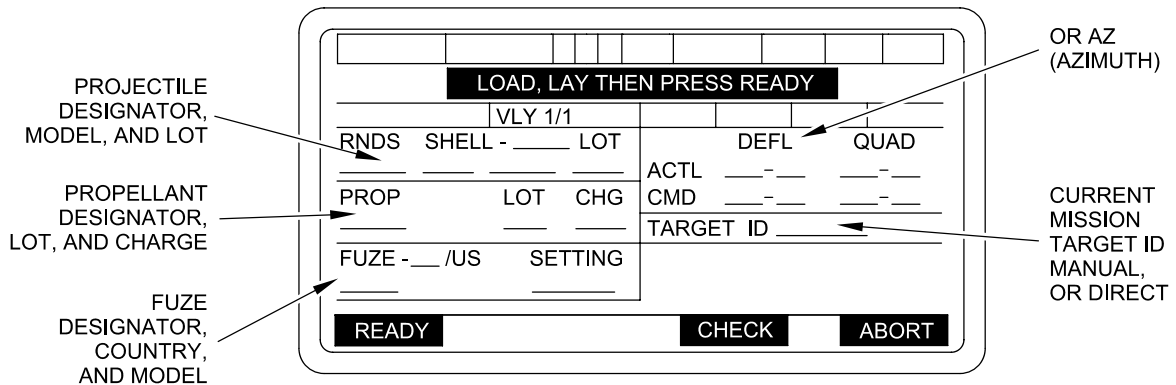
Fire Mission Received. When displayed, press ACK to confirm receipt of fire mission.

M-8 PDFCS FIRE MISSION - CONTINUED

M-8.1 Platoon Operation Center.

Although the howitzer has the ability to compute its own firing data, the actual firing of a mission is controlled by the POC. The control method is included within the fire mission message and displayed on the FIRE MISSION screen. Control methods are as follows:

- a. AT MY COMMAND. In this method, the POC controls when the howitzer is fired. (An example is a normal Copperhead mission.) The Method of Control field of the FIRE MISSION screen will tell the COS to LOAD, LAY, then press READY key. When these are accomplished, a message that the howitzer is ready to fire is sent to the POC. When the FIRE COMMAND is issued by the POC, an audible alert and an alternating tone is sounded and a FIRE prompt is displayed. If more than one volley is to be fired, the other volleys will be FIRE WHEN READY.

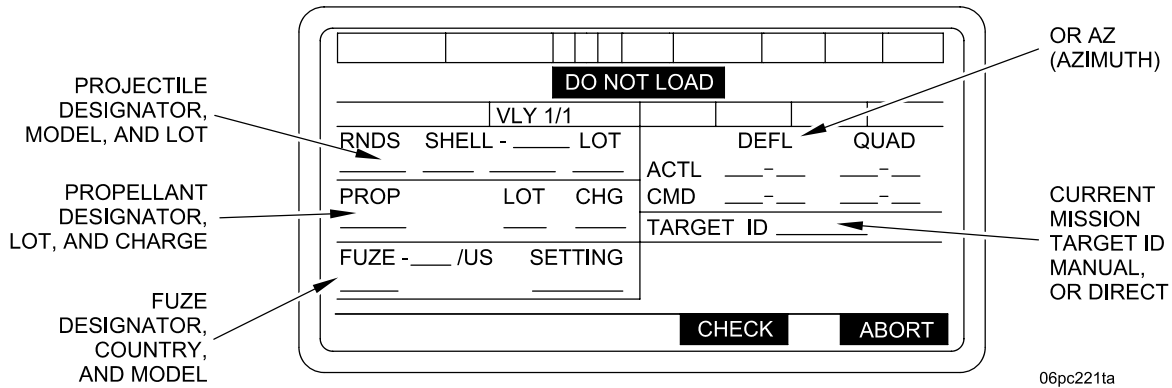


06pc220ta

M-8 PDFCS FIRE MISSION - CONTINUED

M-8.1 Platoon Operation Center - Continued

- b. **DO NOT LOAD.** This is a restrictive command that prohibits loading and firing. This is used when it is anticipated that significant time will elapse between loading and firing. When the DO NOT LOAD command is canceled, then the FIRE command is issued, and the same audible and visual alerts will be received as in AT MY COMMAND.



- c. **TIME TO FIRE (TTF) SEQUENCE.** This sequence consists of the following:
 - (1) Ballistic sequencing is performed. (COMPUTING DO NOT LOAD)
 - (2) If no ABORT is performed during the ballistic sequencing the PDFCS operator is given the data.
 - (3) The PDFCS operator is told to "WAIT FOR XXX SECONDS" where xxx is the number of seconds remaining until time to fire.
 - (4) The "WAIT FOR XXX SECONDS" prompt is updated each second.
 - (5) When the countdown has expired, the PDFCS operator is told to "FIRE".
 - (6) If this is not a FPF mission, then when the first shot out is detected, and there is a Continuous Fire Interval specified, processing continues using the Continuous Fire Interval sequence. If there are more rounds to fire, and a Continuous Fire Interval is not specified, the PDFCS operator is told to "FIRE WHEN READY" (similar to when ready sequencing subsequent rounds). Otherwise, if shot out is not detected within 20 seconds then the mission is automatically ended.

If this is a FPF mission, then when shot out is detected the PDFCS operator is told to "FIRE WHEN READY" again. This is repeated until the mission is ended and no rounds complete is generated.
 - (7) When rounds complete is detected the mission is automatically ended.

M-8 PDFCS FIRE MISSION - CONTINUED

M-8.1 Platoon Operation Center - Continued

- d. CONTINUOUS FIRE INTERVAL SEQUENCE. The Continuous Fire Interval sequence shall be as follows for the second and subsequent rounds in a mission where a continuous fire interval is specified.
- (1) Following the first round fired using the sequences described above, the operator shall be told to "WAIT FOR XXX SECONDS" where xxx is the number of seconds remaining until time to fire.
 - (2) The "WAIT FOR XXX SECONDS" prompt shall be updated each second.
 - (3) When the countdown has expired, the operator is told to "FIRE".
 - (4) If all rounds in the mission have not been shot, processing will sequence through steps 1, 2, and 3 above.
 - (5) When rounds complete is detected, the mission is automatically ended.

M-8.2 Firing Mission.

WARNING

The crew compartment must be adequately ventilated during all firing using the LEAD FILTER or ventilation system in accordance with para 2-22.2.

When a fire mission is received, visual as well as an audible alert is given. The visual alerts are FIREMSN in Field 2 and OPERATOR ALERT AND ACK display. The audible alert can be heard by all crewmembers. When a fire mission is in process, each crewmember will perform his portion of the following:

- a. GUNNER and CANNONEER stow seats (if not previously stowed).
- b. Driver starts engine and/or raises idle speed to 1000-1200 rpm.
- c. COS issues the fire order (for example, 1 round HE; charge 4 green bag; Fuze Time, Time 25.0) and activates the HYDRAULIC POWER switch on the hydraulic control box and the GUN SERVO switch on the PDU.
- d. Cannoneer turns LEAD FILTER switch on the Accessory Control Box to ON and moves Vent Duct Control Handle into UP position.
- e. GUNNER opens breech (first round only).
- f. CANNONEER positions rammer to RAM position.
- g. GUNNER prepares propellant (charge/zone taken from bustle stowage).
- h. CANNONEER prepares projectile and fuze (sets time on fuze if necessary).
- i. COS verifies projectile, fuze, fuze time and propellant and depresses LOAD key on PDU (if necessary).
- j. When the tube is in the LOAD position, the CANNONEER places the projectile on the ram tray and activates rammer.
- k. When the ramming cycle is complete, the CANNONEER places the rammer in the stowed position.
- l. GUNNER places propellant in powder chamber and closes breech.

M-8 PDFCS FIRE MISSION - CONTINUED

M-8.2 Firing Mission - Continued

NOTE

When the PDFCS has laid the gun and the LAY key is highlighted the gun must stay within +/- 0.9 mils of the commanded deflection.

- m. The COS presses and holds the LAY key on the PDU until the cannon is laid on the COMMAND FIRING data.
- n. COS ensures that the gun is in the LAY position by verifying and announcing LAY light is highlighted (ACTUAL and COMMANDED DEFLECTION) and QUADRANT is within tolerance (+/- 0.9) and the prompt "WARNING TUBE IS NOT IN LAY POSITION" is no longer displayed.
- o. GUNNER verifies LAY data. If data is correct GUNNER will announce "Verified". (If data is incorrect GUNNER will announce "Check firing".)
- p. COS gives the command to "PRIME".

NOTE

During high angle missions or illumination missions, it is recommended prime be done at load elevation.

- q. COS commands "Hookup", CANNONEER attaches lanyard to firing block and announces "Hookup".
- r. COS announces, "FIRE".

NOTE

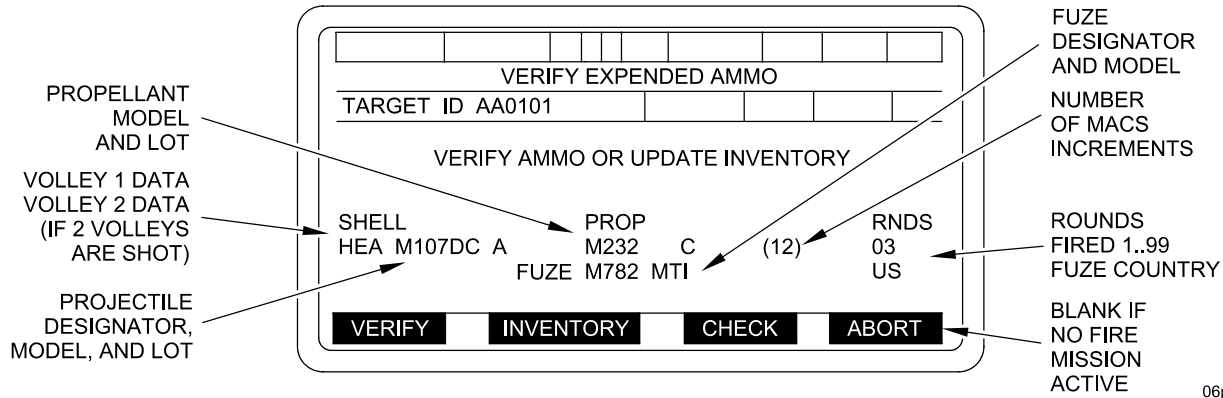
If the Navigation Subsystem or PMVS are out, the PDFCS will not detect the shot, and COS must press the SHOT soft key after each round.

- s. CANNONEER pulls the lanyard to fire the round.
- t. The PDFCS is capable of automatically detecting Shot. In most cases pressing the SHOT soft key is not required. When a round is fired, the Navigation Subsystem and PMVS will detect the round. After the round is fired and detected by the PDFCS, the SHOT soft key will automatically disappear for 5 seconds, the Fire Mission will automatically decrement by one round (i.e. rounds to complete mission will decrease by one), and the Ammo Inventory will automatically be adjusted. In the very rare case that the PDFCS does not detect shot, the COS must press the SHOT soft key as before.
- u. Cannoneer turns on Personnel Fan (Exhaust) switch on the Accessory Control Box and moves the Vent Duct Control Handle into DOWN position. Operate Personnel Fan for 1-2 minutes until all fumes are exhausted.

M-8 PDFCS FIRE MISSION - CONTINUED

M-8.2 Firing Mission - Continued

M-8.2.1 Subsequent Rounds. The first procedure is also used for all subsequent rounds in a fire mission. When all rounds have been fired for the mission, a VERIFY EXPENDED AMMO screen will be displayed. Ammunition accountability is covered in para M-8.3.



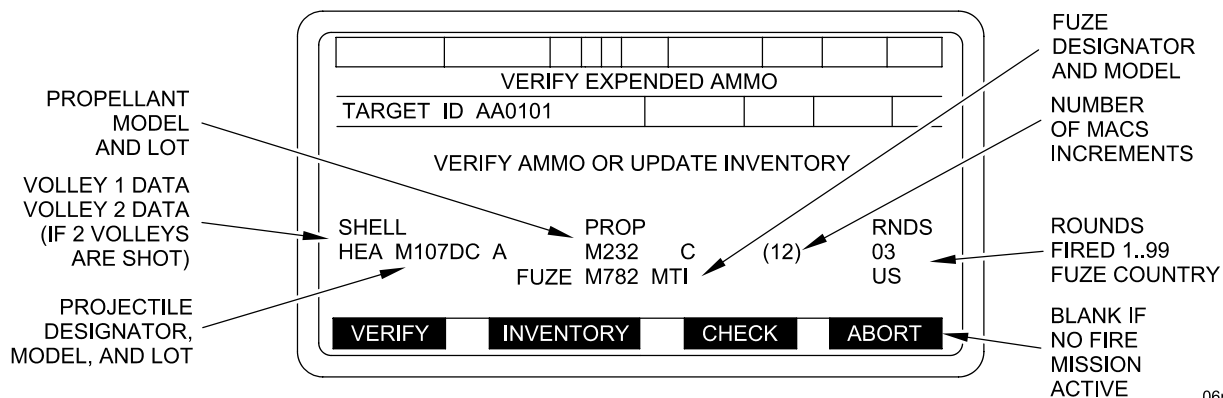
M-8.3 Ammunition Accountability.

NOTE

- If a shell, fuze or propellant is entered in the PDFCS inventory, but the quantity is insufficient for the mission, or zero, the PDFCS will prompt the Chief of Section to accept or reject the mission (in case a new load of ammunition just arrived and has not been entered into inventory yet).
- If a fire mission is activated while you are in any of the inventory management menus, all completed entries will be saved automatically.

It is essential that accurate ammunition updates to the PDFCS be done in order to be able to fire all missions received. This should be done after a mission is fired. When all rounds in a mission have been fired, a VERIFY EXPENDED AMMO screen is displayed. This screen asks the operator either to verify ammunition fired or to update the ammo inventory. This is accomplished as follows:

- If the ammunition shown in the lower part of the VERIFY EXPENDED AMMO screen is an accurate account of the ammunition fired, press VERIFY key, to update the ammunition count. This updates the PDFCS ammunition count automatically.



M-8 PDFCS FIRE MISSION - CONTINUED

M-8.3 Ammunition Accountability - Continued

- b. If the ammunition shown on the VERIFY EXPENDED AMMO screen is not an accurate account of ammunition fired (for example, a compatible fuze was used as a substitute for the fuze specified in the mission), press the INVENTORY key. This causes an INVENTORY MANAGEMENT screen to be displayed.

NOTE

When INVENTORY key is pressed, SHELL, PROP and FUZE must be updated.

NORMAL

INVENTORY MANAGEMENT

UPDATE SHELL INVENTORY
UPDATE PROP INVENTORY
UPDATE FUZE INVENTORY

PRESS FINISHED TO INDICATE
INVENTORY UPDATE COMPLETE

SELECT FINISHED CANCEL

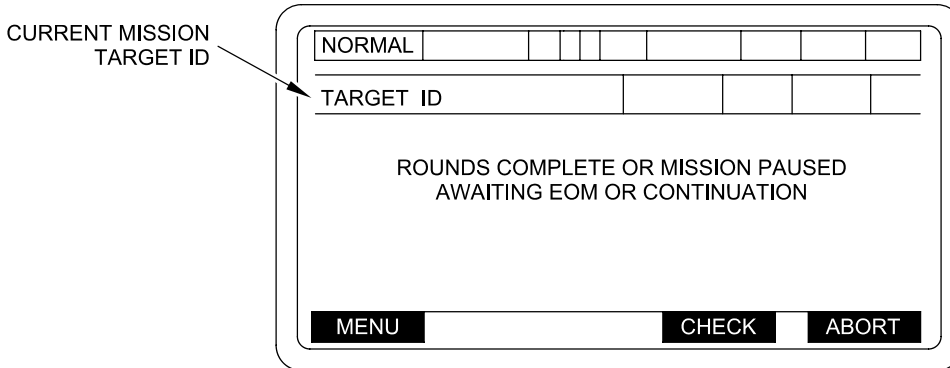
06pc172m

- c. This will allow the operator to manually input the type of round actually fired and correct the ammo inventory.
- d. If **FINISHED** is pressed at this point, the operator will be returned to a ROUND COMPLETE screen and none of the ammo from that fire mission will be subtracted from the inventory.

M-8 PDFCS FIRE MISSION - CONTINUED

M-8.4 End of Mission.

Notification that a Fire Mission has ended is sent by an END OF MISSION (EOM) message from the POC. Normally, this is done when all rounds requested in a Fire Mission have been fired. When all the rounds for a mission have been fired, a ROUNDS COMPLETE OR MISSION PAUSED, AWAITING EOM OR CONTINUATION OF MISSION screen will be displayed until an EOM message is sent from the POC. When the EOM message is received by the PDFCS, an END OF MISSION screen is displayed.



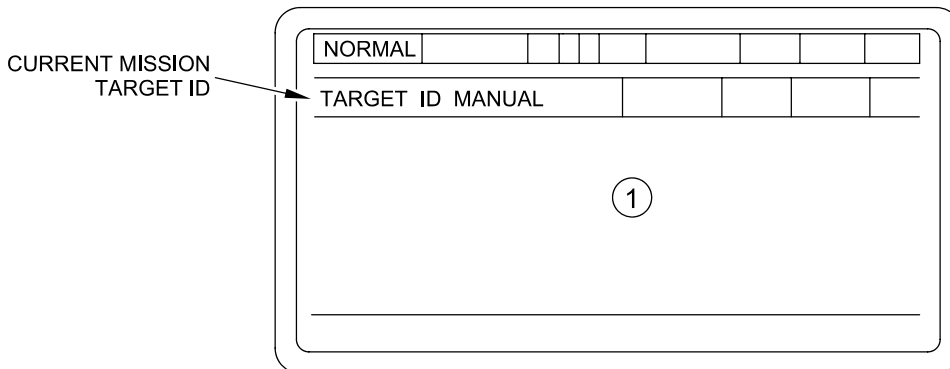
06pc259t



Operate Personnel Fan (Exhaust) switch on the Accessory Control Box with the Vent Duct Control Handle in DOWN position for 2 minutes when crew members observe fumes, smoke or indication of carbon monoxide build up in the crew compartment.

NOTE

While awaiting EOM or continuation of a mission, you can access the SETUP AND INFORMATION menus by pressing the MENU key (e.g. to update inventory to add new ammo received). The PDFCS will automatically interrupt whatever you are doing if the fire mission is continued.



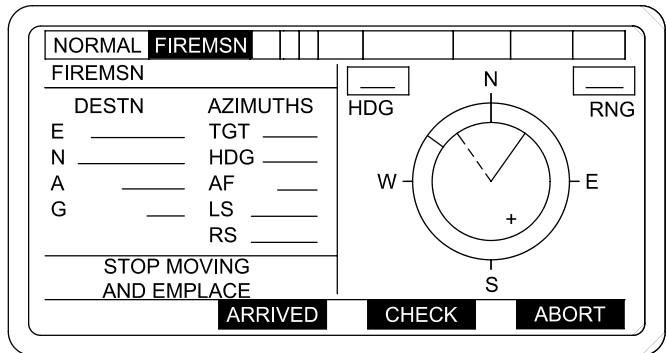
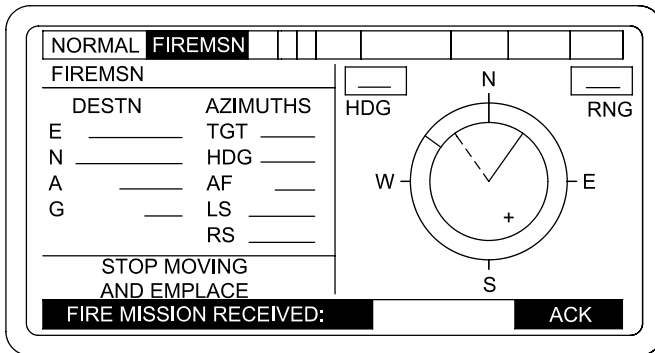
- ① **END OF MISSION** = MISSION TERMINATED NORMALLY
- ① **MISSION ABORTED** = MISSION TERMINATED BY ABORT

06pc259ta

M-8 PDFCS FIRE MISSION - CONTINUED

M-8.5 PDFCS Emergency Mission.

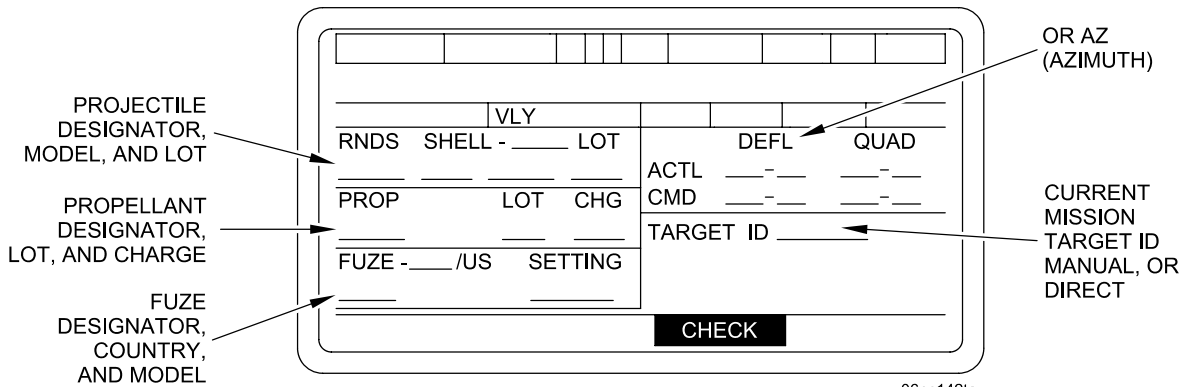
Because the M109A6 makes frequent tactical and survivability moves, receiving a Fire Mission while moving will become a routine event. During a move, a Fire Mission order may be sent requiring the individual howitzer to stop, emplace, and fire on a target at any time. When this type of order is sent, an audible alert and a visible alert in the form "FIREMSN RECEIVED", "ACK" in field 16 is displayed to the operator.



06pc274t

M-8.5.1 Emplace.

The chief of section must ACK the mission and select a suitable firing position as quickly as possible. Depress ARRIVED soft key to receive the Fire Mission. Fire Mission data will be computed and displayed.



06pc142ta

M-8 PDFCS FIRE MISSION - CONTINUED

M-8.5 PDFCS Emergency Mission - Continued

M-8.5.2 Ready Gun.

- a. Set HYDRAULIC POWER switch on hydraulic control box and GUN SERVO switch on PDU to ON.
- b. Release gun tube from travel lock.
- c. Release cab traverse lock.

M-8.5.3 LAY, LOAD, LAY, AND FIRE.

NOTE

Ballistic computations must have been completed before LAY key is depressed.

- a. Depress and hold LAY key to bring gun to target Azimuth and LAY elevation. Look through tube and verify immediate Crest is clear.
- b. Depress LOAD key to LAY weapon on COMMANDED deflection and LOAD quadrant.
- c. Depress LAY key to LAY weapon on COMMANDED deflection and quadrant. Ensure LAY key is held until LAY indicator is highlighted.
- d. On command, fire the gun.

M-8.5.4 End of Mission.

- a. When END OF MISSION message is received, wait for instructions to proceed with displacement.
- b. After the END OF MISSION message, the MOVE ORDER screen with previous move mission data will be displayed.
- c. Turn on Personnel Fan (Exhaust) switch on the Accessory Control Box and move the Vent Duct Control Handle into DOWN position. Operate Personnel Fan for 1-2 minutes until all fumes are exhausted.
- d. Proceed to ordered destination.



Operate Personnel Fan (Exhaust) switch on the Accessory Control Box with the Vent Duct Control Handle in DOWN position for 2 minutes when crew members observe fumes, smoke or indication of carbon monoxide build up in the crew compartment.

M-8 PDFCS FIRE MISSION - CONTINUED

M-8.6 Direct Fire Procedures Using PDFCS.

NOTE

While the PDFCS can be used, manual (one man-one sight) procedures have been found to be faster and just as accurate.

For direct fire against close range targets, PDFCS can be used to aid in laying the cannon. COS identifies target, states type charge, projectile and fuze to be used, estimates speed (if target is moving) and announces lead to GUNNER. COS continues direct firing procedures until target is destroyed.

- a. COS first identifies direct fire target. If target consists of several weapons, he selects target that is the greatest threat to his position.
- b. COS gives fire command in the following order:

ELEMENT	EXAMPLE
Target designation	Target, lead tank
Target direction	Left/right front
Projectile, charge, fuze	Shell HE, charge 7, fuze quick
Lead	Lead left/right 10
Method of fire	Fire at will

NOTE

- “Fire at will” means to keep firing until target is destroyed or another command is given.
- COS will estimate range if he has no accurate range.
- COS will use lead chart mounted in commander’s cupola (shown below) for initial lead.

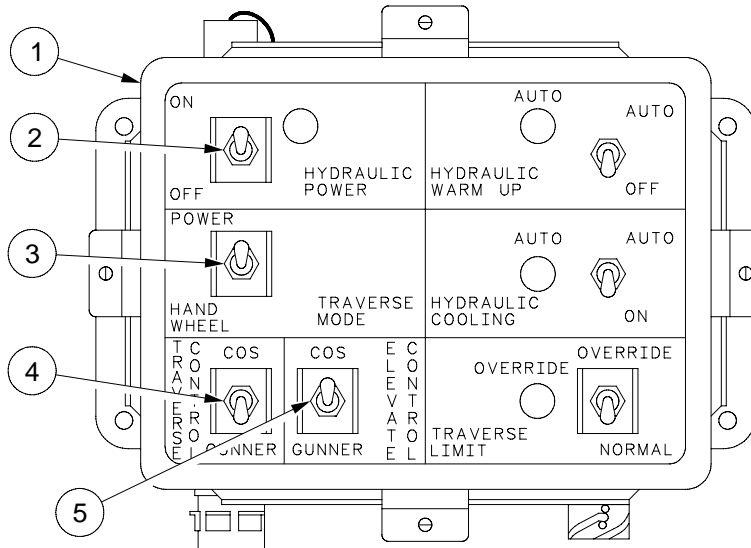
TARGET SPEED (MPH)	TARGET DIRECTION OF TRAVEL LEAD IN MILS (m)		
	←→	↖↗	↕
5	5m	5m	0m
10	10m	5m	0m
15	15m	10m	0m
20	20m	15m	0m
25	20m	15m	0m
30	30m	20m	0m

- c. On Display Unit COS sets GU N SERVO switch to OFF.

M-8 PDFCS FIRE MISSION - CONTINUED

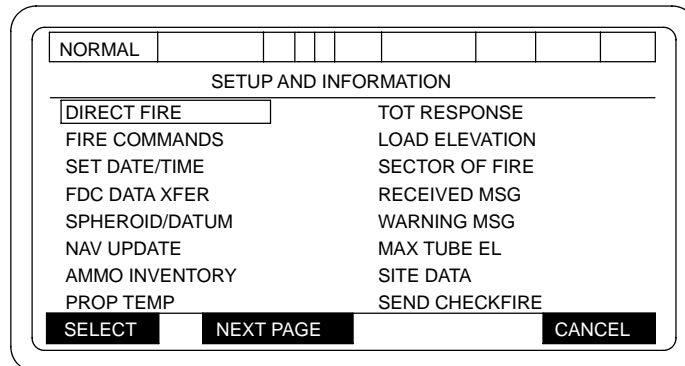
M-8.6 Direct Fire Procedures Using PDFCS - Continued

- d. On hydraulic control box (1), turn HYDRAULIC POWER switch (2) to ON, TRAVERSE MODE switch (3) to POWER, TRAVERSE CONTROL switch (4) to GUNNER, and ELEVATE CONTROL switch (5) to COS.



hipc173a

- e. Bring up SETUP AND INFORMATION menu on Display Unit.



06pc260t

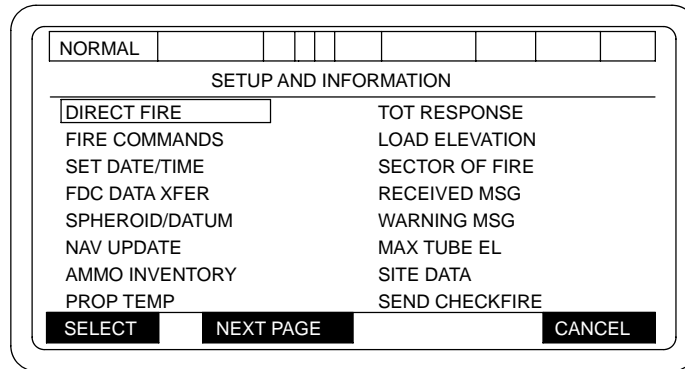
NOTE

The NAV update selection shall be available to the PDFCS operator at all times except when a fire mission is active or the navigation subsystem is unavailable.

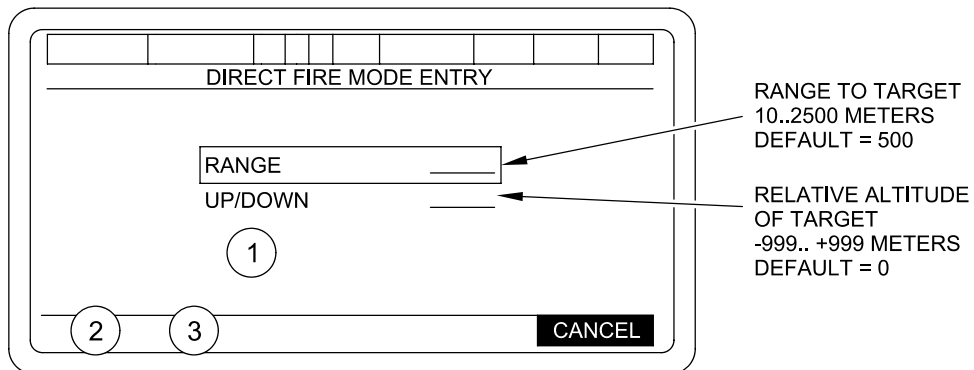
M-8 PDFCS FIRE MISSION - CONTINUED

M-8.6 Direct Fire Procedures Using PDFCS - Continued

- f. With cursor (box) at DIRECT FIRE, press soft key located directly beneath SELECT prompt to display a DIRECT FIRE MODE ENTRY menu on PDU.



06pc260t



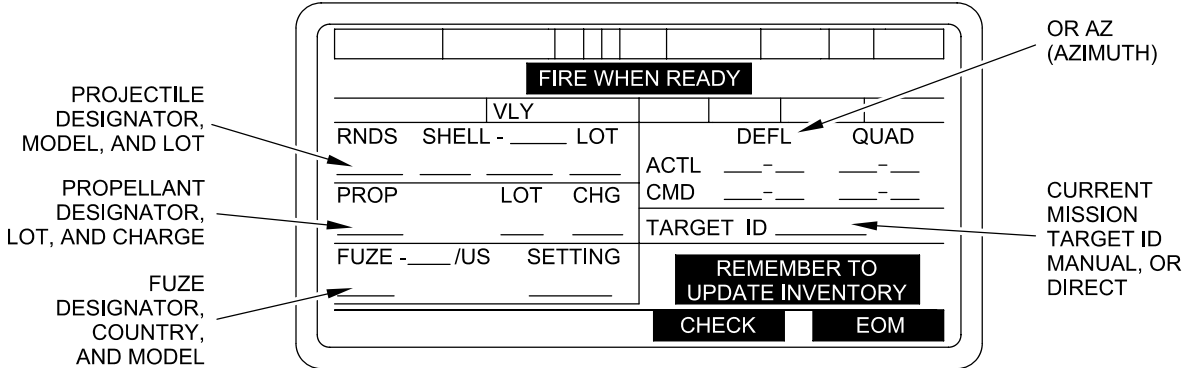
06pc183ma

- ① blank - No selection made
 "TYPE VALUE 10 TO 2500 METERS" - RANGE Selected.
 "-PRESS ENT KEY-"
 "TYPE VALUE -999 TO +999" - UP/DOWN Selected.
 "-PRESS ENT KEY-"
- ② blank - If RANGE or UP/DOWN Selected
- SELECT** -Awaiting Selection or USE ALL. Selects current menu item.
- ③ blank - If RANGE Selected
- +/-** - UP/DOWN Selected. Change sign of value
- USE ALL** - Awaiting Selection or USE ALL. Initiate direct fire mission.

M-8 PDFCS FIRE MISSION - CONTINUED

M-8.6 Direct Fire Procedures Using PDFCS - Continued

- g. Press soft key located directly beneath the USE ALL prompt of the DIRECT FIRE MODE ENTRY menu to display a FIRE MISSION menu.



06pc141ta

NOTE

You will only use the ACTL QUAD field of this screen to set tube elevation.

- h. Using the DIRECT FIRE RANGE PLATE, the COS determines elevation based on estimated range. Using COS control handle, COS elevates/depresses gun to proper elevation in the ACTL QUAD field of the FIRE MISSION menu, then announces "SET" continually until howitzer is fired.

DIRECT FIRE RANGE PLATE 155MM HOWITZER			
M549A1 RAP		M107 HE PROJECTILE	
ROCKET OFF		M19A1 PC WB	
M203 SERIES PC RB		M119A2 PC RB	
RANGE METERS	ELEV MILS	RANGE METERS	ELEV MILS
400	3	400	4
600	5	600	7
800	6	800	9
1000	8	1000	11
1200	9	1200	14
1400	11	1400	16
L15 HE PROJECTILE		M107 HE PROJECTILE	
M203 SERIES PC RB		M4A2 PC WB	
RANGE METERS	ELEV MILS	RANGE METERS	ELEV MILS
400		400	6
600		600	10
800		800	13
1000		1000	16
1200		1200	20
1400		1400	23
PLATE DIRECT FIRE		P/N 12910859	

M-8 PDFCS FIRE MISSION - CONTINUED

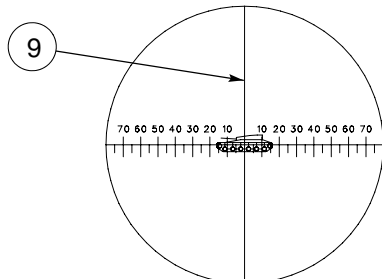
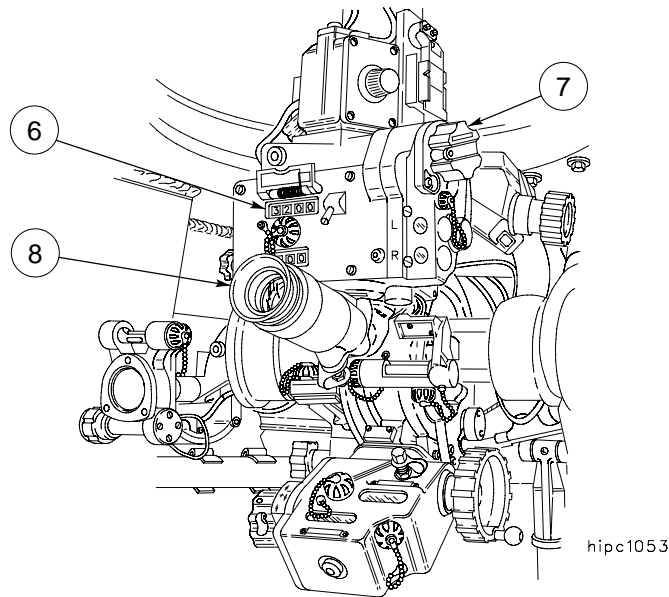
M-8.6 Direct Fire Procedures Using PDFCS - Continued

- i. On subsequent rounds, the COS will estimate a new range based on observed effects and repeat step h until target is destroyed or other commands become necessary.
- j. GUNNER sets azimuth counter (6) to 3200, and turns direct/indirect fire bar knob (7) to DIRECT position to engage 5.0 mils per click sight mechanism.

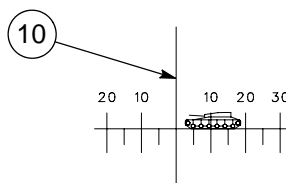
NOTE

The head of the PANTEL must remain oriented with the gun tube. The PANTEL will be oriented with the gun tube if the azimuth counter reads 3200 and the PANTEL is properly boresighted.

- k. If central laying is used, GUNNER applies announced lead to azimuth counter (6). If lead is left, add the lead angle to 3200; if lead is right, subtract the lead angle from 3200. The GUNNER then sights through the eyepiece (8) and traverses tube until vertical hairline (9) of PANTEL centers on the target. If reticle method is used, GUNNER places vertical hairline (10) left or right of target the number of mils lead announced by COS.



CENTRAL LAYING



RETICLE METHOD

hipc1057

M-8 PDFCS FIRE MISSION - CONTINUED

M-8.6 Direct Fire Procedures Using PDFCS - Continued

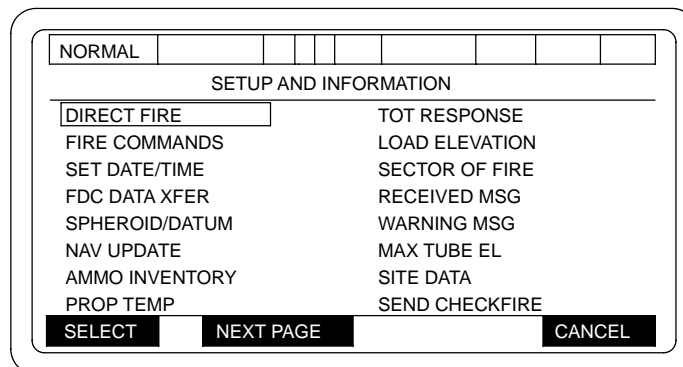
- l. When GUNNER establishes correct sight picture, and COS has announced "SET," GUNNER commands "FIRE."
- m. CANNONEER fires gun.
- n. After firing, GUNNER continues to lay on target until it is destroyed or a subsequent fire command is issued.
- o. COS gives subsequent fire commands based on observed effects and changes lead as necessary.

ELEMENT	EXAMPLE
Change in Lead	Right/left 5

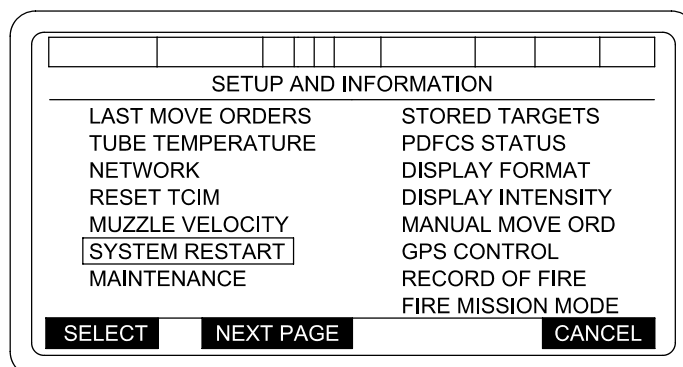
- p. GUNNER turns azimuth deflection knob in 5-mil (1-click) increments to set lead change.

M-8.7 System Menus.

The SETUP AND INFORMATION menu is used to access the various screens to initialize the PDFCS and align the Navigation System. It also provides access to menus allowing the operator to enter fire commands and muzzle velocities, access messages, and to monitor PDFCS STATUS and tube temperature. The operator can change the display format and intensity, input Manual Move Orders, perform a system update, and access stored targets. The operator can enter a SPHEROID/DATUM; can access the MAINTENANCE MODE MENU; and can update his ammunition inventory. This will complete the capabilities of the system menus.



06pc260t



06pc261ta

M-8 PDFCS FIRE MISSION - CONTINUED

M-8.7 System Menus - Continued

M-8.7.1 Fire Commands. If the Ballistic Computer or digital communications is out, fire commands (deflection and quadrant) will be sent by voice to the howitzer COS. The operator will enter these fire commands manually as follows:

- a. Box in FIRE COMMANDS on SETUP AND INFORMATION menu and press SELECT key to display a FIRE COMMANDS ENTRY screen.

06pc204tb

- b. With the FIRE COMMANDS ENTRY screen displayed, box in DEFLECTION; press SELECT key; type in deflection; and press ENT key.
- c. Box in QUADRANT and press SELECT key. Type in quadrant and press ENT key.
- d. When correct fire command has been entered, press USE ALL key to display a FIRE MISSION screen with firing data in the COMMANDED (CMD) field.

06pc144ta

- e. The fire mission is fired using normal procedures.
- f. When the voice order to end the mission is received, press the EOM key.
- g. Ammo accountability is then manually processed (para M-8.3).

M-8 PDFCS FIRE MISSION - CONTINUED

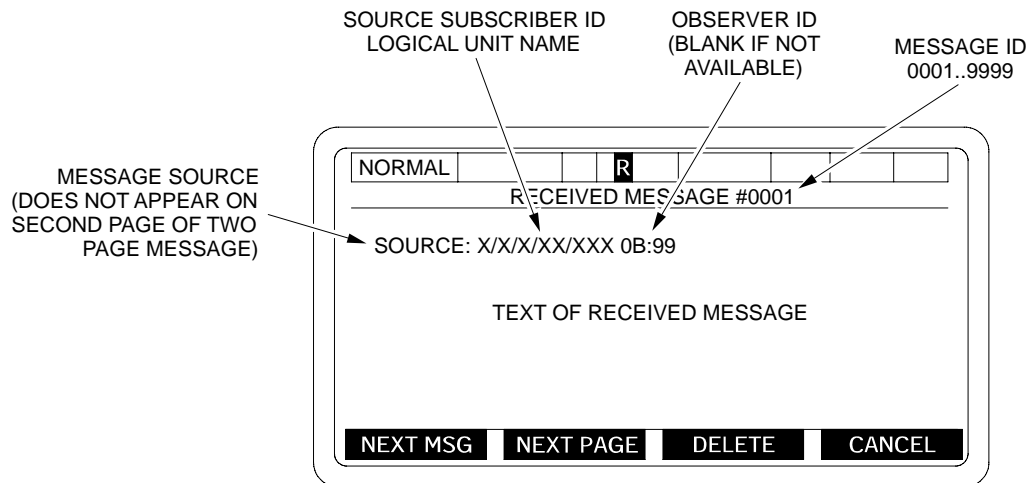
M-8.7 System Menus - Continued

M-8.7.2 Messages. The two types of PDFCS messages accessed from the SETUP AND INFORMATION menu are RECEIVED MSG and WARNING MSG. The received messages are ones received from the POC and the warning messages are generated by the PDFCS for system status. When there is a new message to read, a RCVD MSG (R) highlighted field 5 or WARN MSG (W) highlighted field 4 indicator will be displayed at the top of the screen. Access messages using the following procedures:

- Box in desired message on SETUP AND INFORMATION menu and press SELECT key to display a RECEIVED MESSAGE/SYSTEM WARNING MESSAGE.
- If more than one message is in the message queue, display next message by pressing the NEXT MSG key. If a message contains more than one page, display next page by pressing NEXT PAGE key.
- To return to the SETUP AND INFORMATION menu, press CANCEL key.

NOTE

- The PDFCS shall keep three (3) messages in a buffer. If there are more than three unviewed messages, the PDFCS shall discard the oldest and display the error message "MESSAGES HAVE BEEN LOST" "ACK" to the operator upon entry into the screen.
- The RECEIVED MESSAGE counter has a range from 0001 to 9999 and will reset on each powerup.



06pc188m

- NEXT MSG** = DISPLAY NEXT MESSAGE (IF THERE ARE NO ADDITIONAL MESSAGES THEN THE SCREEN DISPLAYS "NO MORE MESSAGES")
- NEXT PAGE** = DISPLAY NEXT PAGE (BLANKED IF NO NEXT PAGE)
- DELETE** = DELETE CURRENT MESSAGE (IF THERE ARE NO MORE MESSAGES THEN "NO MORE MESSAGES" IS DISPLAYED)

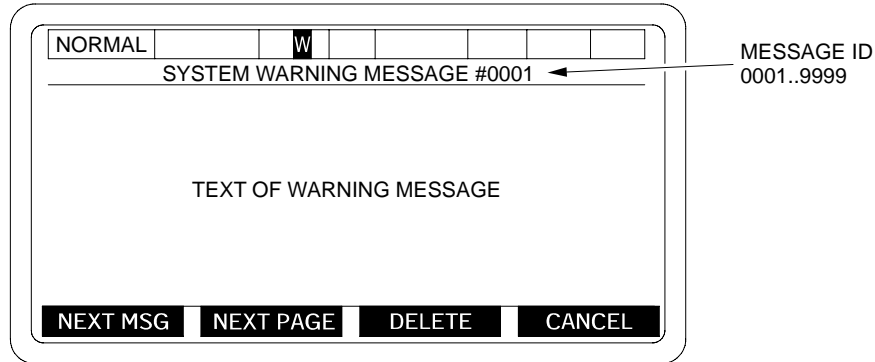
M-8 PDFCS FIRE MISSION - CONTINUED

M-8.7 System Menus - Continued

M-8.7.2 Messages - Continued

NOTE

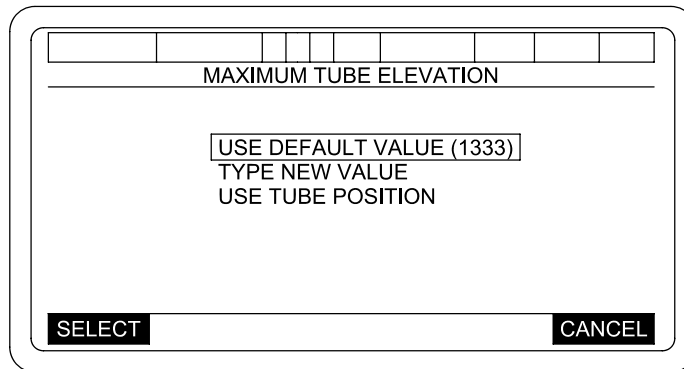
The SYSTEM WARNING MESSAGE counter has a range from 0001 to 9999 and will reset on each powerup.



06pc189m

- NEXT MSG** = DISPLAY NEXT MESSAGE (IF THERE ARE NO ADDITIONAL MESSAGES THEN THE SCREEN DISPLAYS "NO MORE MESSAGES")
- NEXT PAGE** = DISPLAY NEXT PAGE (BLANKED IF NO NEXT PAGE)
- DELETE** = DELETE CURRENT MESSAGE (IF THERE ARE NO MORE MESSAGES THEN "NO MORE MESSAGES" IS DISPLAYED)

M-8.7.3 Maximum Tube Elevation. From the SET UP AND INFORMATION menu select "MAX TUBE EL" to input the maximum tube elevation.



06pc154ma

- a. Entering MAXIMUM TUBE ELEVATION. If a maximum tube elevation is not entered, the default value as shown on the display will be entered automatically. If an elevation other than the default value is desired, the entry can be made by either of two methods:

M-8 PDFCS FIRE MISSION - CONTINUED

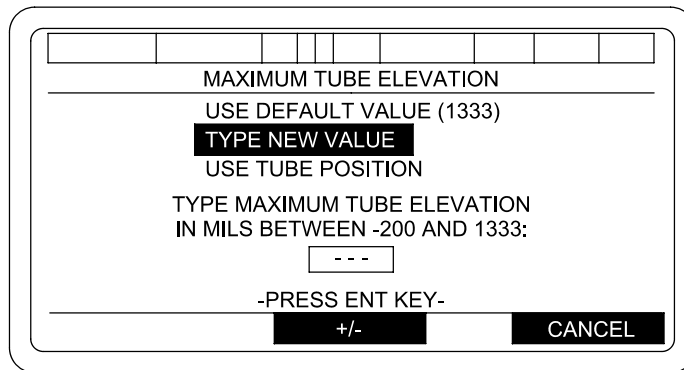
M-8.7 System Menus - Continued

M-8.7.3 Maximum Tube Elevation - Continued

NOTE

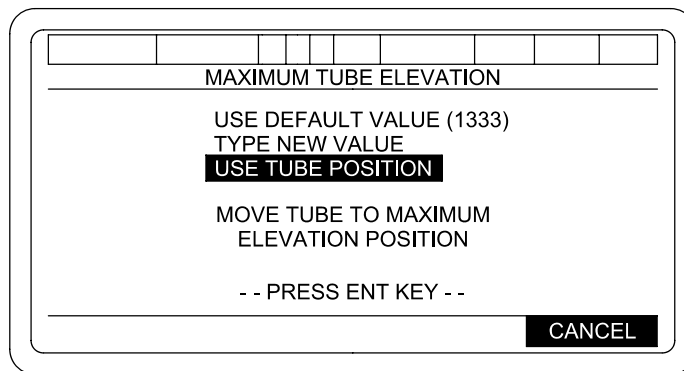
Numerical value must be entered before sign.
Default sign is (+).

- b. Box in TYPE NEW VALUE and depress SELECT to bring up a new MAXIMUM TUBE ELEVATION display. Enter required value for MAX TUBE EL and press ENT key.



06pc655m

- c. Box in USE TUBE POSITION and press SELECT key to bring up a new MAXIMUM TUBE ELEVATION display. Using the COS or gunner's control handle, move tube to desired elevation and press ENT key.



06pc156ma

M-8 PDFCS FIRE MISSION - CONTINUED

M-8.7 System Menus - Continued

M-8.7.4 Send Checkfire. Selecting SEND CHECKFIRE will result in questions asked, "ARE YOU SURE", "YES" "NO". "YES" selection will cause all howitzer systems to be placed on CHECKFIRE. Only the POC/FDC can cancel the CHECKFIRE. "NO" selection = No action.

① **EOM** = MISSION is direct or manual

ABORT = MISSION is not direct or manual

06pc145t

M-8.7.5 Stored Targets. The PDFCS can store up to ten targets. These targets can be reviewed for information concerning target number, rounds to be fired, shell, propellant, fuze, and method of control. To access the target summary, perform the following steps:

- Box in STORED TARGETS on SETUP AND INFORMATION menu and press SELECT key to display a STORED TARGET SUMMARY screen.
- If there is more than one page, press NEXT PAGE key to display next page.
- To return to SETUP AND INFORMATION menu, press CANCEL key.

TARGET	RND	SHELL	PROP	FUZE	CONTROL
AA0001		HE			FPF
AA0340	6	ICM		TI	12:1430
AA0245	3				12:1545
AA0045	2	WP		TI	
	2	HEA A	M232	PDAD/US	WR

NEXT PAGE = SHOWS NEXT PAGE. IF LAST PAGE, THEN SHOWS FIRST PAGE. (BLANKED IF ONLY ONE PAGE OR NO TARGETS).

06pc145ta

NOTE

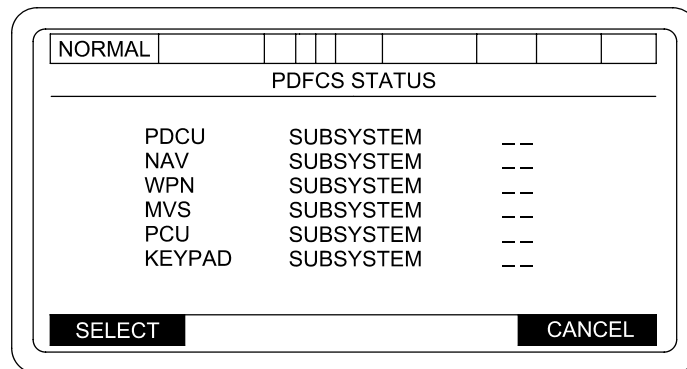
- Shell and fuze entries will be blank if the stored mission arrives from the FDC with unspecified ammunition and is not an FPF mission (as shown above in target ID AA0245).
- Targets with RND (rounds) over 99 are displayed with **.

M-8 PDFCS FIRE MISSION - CONTINUED

M-8.7 System Menus - Continued

M-8.7.6 PDFCS Status. To display the PDFCS SUBSYSTEM STATUS, proceed as follows:

- Box in PDFCS STATUS on SETUP AND INFORMATION menu and press SELECT to display the PDFCS STATUS screen.
- Cursor and select a PDFCS SUBSYSTEM to view the sub-components. The status of each sub-component will be displayed either "OK" or "FAIL".
- To return to the SETUP AND INFORMATION menu, press CANCEL key.



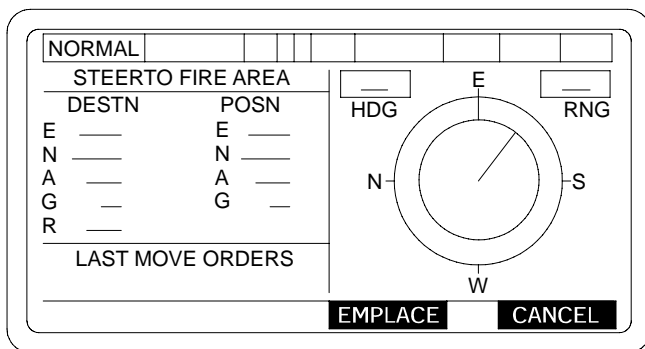
06pc638ma

M-8.7.7 Last Move Orders. To display the last move orders received by the PDFCS, proceed as follows:

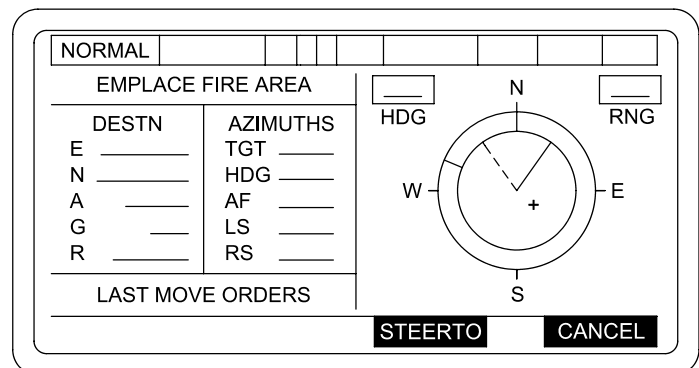
- Box in LAST MOVE ORDERS on SETUP AND INFORMATION menu and press SELECT key. A STEERTO FIRE AREA screen will be displayed showing LAST MOVE ORDERS.
- Press the EMLACE key to display an EMLACE FIRE AREA screen showing LAST MOVE ORDERS.
- From STEERTO FIRE AREA or EMLACE FIRE AREA screen, the SETUP AND INFORMATION menu can be reached by pressing the CANCEL key.

NOTE

This will not be available after the first Survivability Move.



06pc191m



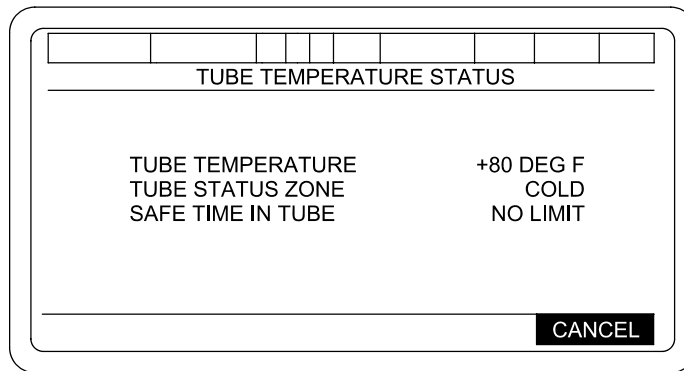
06pc192ma

M-8 PDFCS FIRE MISSION - CONTINUED

M-8.7 System Menus - Continued

M-8.7.8 Tube Temperature. The TUBE TEMPERATURE STATUS is shown on the FIRE MISSION screen as COLD, WARM, or HOT; and a time is displayed which indicates how long a complete round may remain in the tube. TUBE TEMPERATURE STATUS can also be displayed as follows:

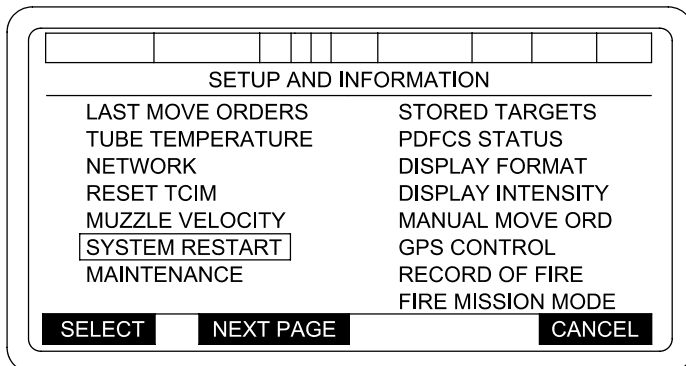
- Box in TUBE TEMPERATURE on SETUP AND INFORMATION menu and press SELECT key.
- A TUBE TEMPERATURE screen will be displayed showing TEMPERATURE STATUS (COLD, WARM, HOT), and SAFE TIME IN TUBE.
- To return to SETUP AND INFORMATION menu, press CANCEL key.



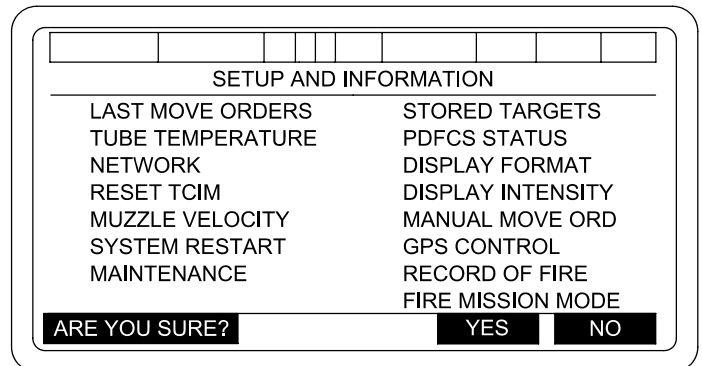
06pc193ma

M-8.7.9 System Restart. To do a SYSTEM RESTART without shutting the system off and powering back-up, proceed as follows:

- Box in SYSTEM RESTART on SETUP AND INFORMATION menu and press SELECT key. A prompt will be displayed, "ARE YOU SURE", "YES" or "NO".
- The system will restart at a POWER UP STATUS.
- "INITIALIZATION" must be performed.



06pc261ta



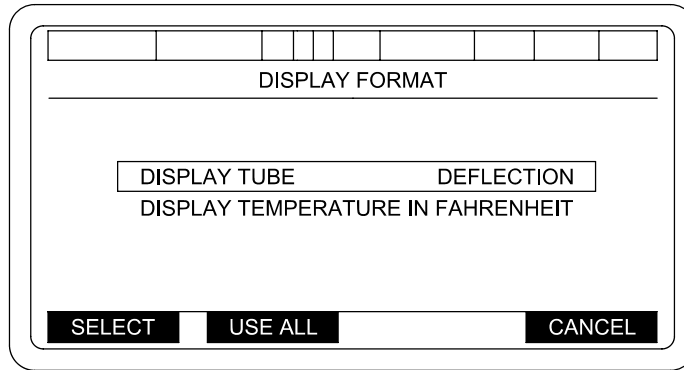
06pc261tb

M-8 PDFCS FIRE MISSION - CONTINUED

M-8.7 System Menus - Continued

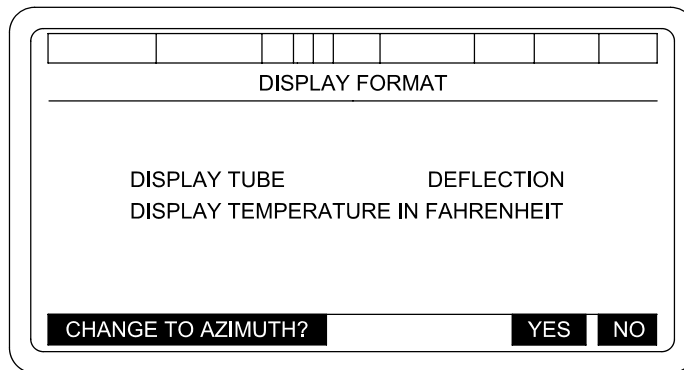
M-8.7.10 Display Format. This function is used to change the display of the tube position from AZIMUTH to DEFLECTION, and vice versa; or the TEMPERATURE STATUS display from Fahrenheit to Celsius, and vice versa. This display format is changed as follows:

- a. Box in DISPLAY FORMAT on SETUP AND INFORMATION menu and press SELECT key to display a DISPLAY FORMAT screen.



06pc196ma

- b. To change deflection, box in DISPLAY TUBE DEFLECTION and press SELECT to display another DISPLAY FORMAT screen.
- c. This screen asks the question: CHANGE TO AZIMUTH/DEFLECTION? Press the appropriate soft key, YES or NO. This will return the display to the original DISPLAY FORMAT screen.



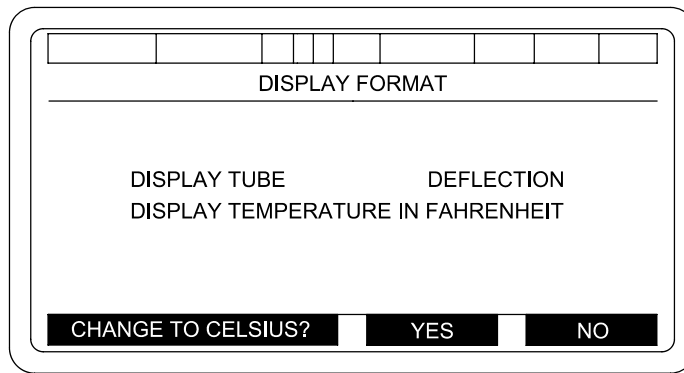
06pc197ma

M-8 PDFCS FIRE MISSION - CONTINUED

M-8.7 System Menus - Continued

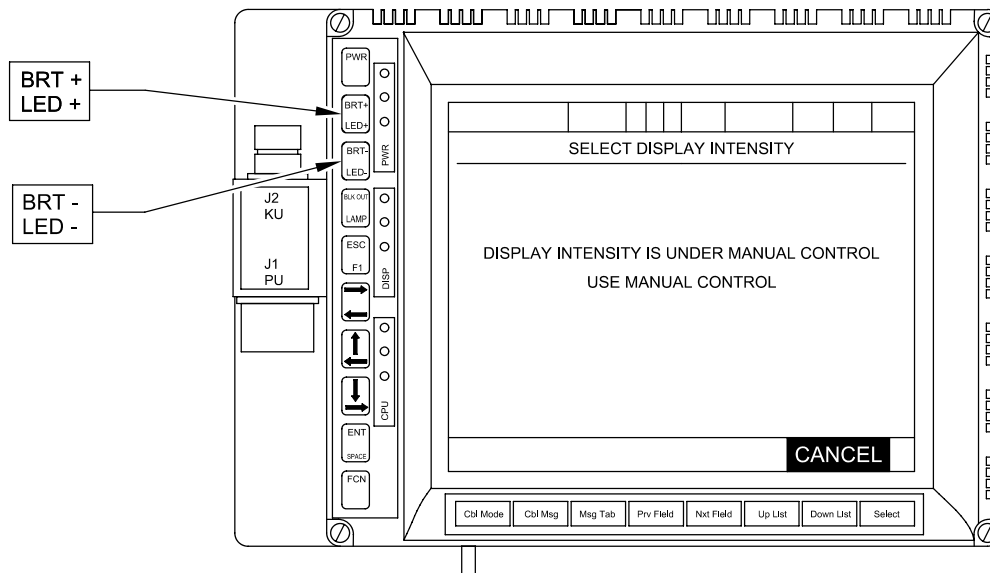
M-8.7.10 Display Format - Continued

- d. To change the temperature display, box in DISPLAY TEMPERATURE IN FAHRENHEIT and press SELECT key to display another DISPLAY FORMAT screen.
- e. Answer screen question CHANGE TO CELSIUS/FAHRENHEIT? by pressing appropriate soft key.
- f. When original DISPLAY FORMAT screen is displayed, press USE ALL key to return to SETUP AND INFORMATION menu.



06pc198m

M-8.7.11 Display Intensity. Display intensity is set using the buttons on the left side of the PDFCS PDU. If DISPLAY INTENSITY on SETUP AND INFORMATION menu is selected, the following screen will be displayed.



06pc653m

M-8 PDFCS FIRE MISSION - CONTINUED

M-8.7 System Menus - Continued

M-8.7.12 Manual Move Order. When it is necessary to move the howitzer without a move order from the POC, enter the movement data as follows:

- Box in MANUAL MOVE ORDER on SETUP AND INFORMATION menu and depress SELECT key to display a MANUAL MOVE ORDER ENTRY screen.
- Enter data by boxing in each data field and then typing in desired data. As each field is filled, press ENT key to enter data.
- When all data has been entered, press USE ALL key. This will cause the SETUP AND INFORMATION screen to be displayed with MOVE ORD at the top. Press CANCEL key to display the MOVE ORDER screen (STEERTO or EMLACE).

MANUAL MOVE ORDER ENTRY

EASTING	-----	-----
NORTHING	-----	RANGE
ALTITUDE	-----	
GRID ZONE	---	
HEMISPHERE	NORTH	
DEST TYPE	-----	

SELECT
USE ALL
CANCEL

06pc262t

NOTE

- If the Move Order coordinates are outside the Map Mod, no PDFCS warning message will be issued. All Move Order coordinates should be checked with a map spot, or through some other secondary means to insure they are within the current Map Mod.
- If the Move Order coordinates are in an adjacent Grid Zone, the PDFCS will automatically convert these coordinates to the Map Mod Grid Zone. Once the STEER TO screen is displayed, the entered coordinates will be converted to the Map Mod Grid Zone. If a map spot is performed, the Map Mod Grid Zone will need to be extended into the adjacent Grid Zone.
- If Destination Type is to a FIRING POINT, Operator must input SECTOR OF FIRE prior to inputting a Manual Move Order.

M-8 PDFCS FIRE MISSION - CONTINUED

M-8.7 System Menus - Continued

M-8.7.12 Manual Move Order - Continued

- Destination Types are: LOG POINT (for resupply), INIT POINT (for survey control point) and FIRE POINT.
- If DO NOT MOVE was on the screen before you start this move, the PDFCS will notify FDC that the howitzer is moving.
- RANGE shows the distance to the entered point from the current location based on easting and northing. It is not operator selectable. Move order distance will only be displayed up to 99,999 meters. If the value is 100,000 to 350,000 meters, "*****" will be displayed. If the value is more than 350,000 meters you will receive an error message, "DISTANCE EXCEEDS 350 KM" "ACK".
- If the position entered is above 84 degrees north or below 80 degrees south the entry will be rejected and you will receive an error message, "POSITION IS NOT VALID" "ACK".

M-8.7.13 GPS Control. Used to enhance positioning. The POC will instruct you when to use GPS Control.

NOTE

Use according to unit SOP.

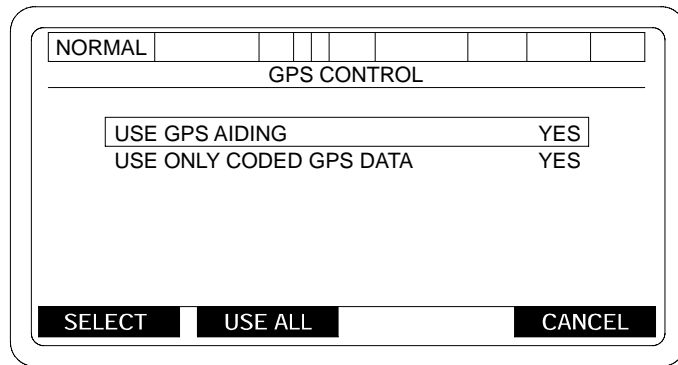
- a. Select either USE GPS AIDING or USE ONLY CODED GPS DATA.

M-8 PDFCS FIRE MISSION - CONTINUED

M-8.7 System Menus - Continued

M-8.7.13 GPS Control - Continued

b. You will receive the following operator prompts.



06pc201m

OPERATOR PROMPTS (ON SOFT KEY LINE):

1. WHEN GPS AIDING SELECTED:



2. WHEN USE ONLY CODED GPS DATA SELECTED:



NOTE: VALUES SHOWN ARE SYSTEM SUPPLIED DEFAULTS.

M-8 PDFCS FIRE MISSION - CONTINUED

M-8.7 System Menus - Continued

M-8.7.14 Record of Fire.

DATE TIME GROUP RECEIVED	FM	DTG RCVD	TGT LOC
	AA0002	9710051013	540550/04531720/00215
	F00002	9710041600	545455/04564720/-0001
	F00001	9710041320	543672/04361720/00216
	MANUAL	9710020729	

SELECT CANCEL

06pc263t

SELECT : View firing data for a particular target

CANCEL : Return to SETUP AND INFORMATION menu

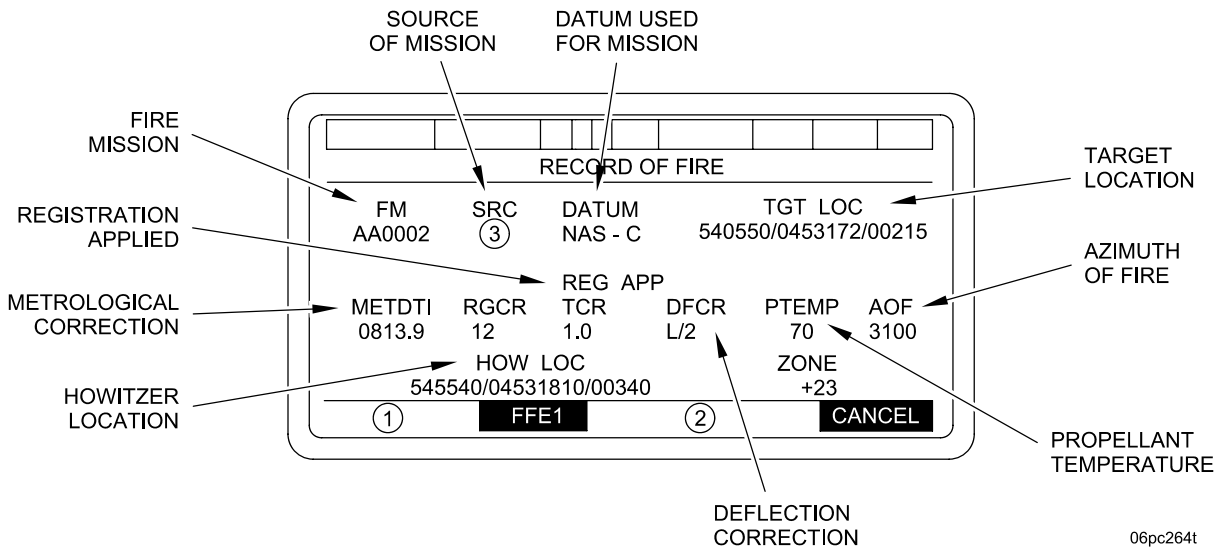
Mission data displayed in order from latest received to earliest

06pc146t

M-8 PDFCS FIRE MISSION - CONTINUED

M-8.7 System Menus - Continued

M-8.7.14 Record of Fire - Continued



06pc264t

- ① The "ADJ" soft key will be displayed if there is an adjust phase for the mission, otherwise it will be blank.
- ② The "FFE2" soft key will be displayed if there is a second Fire for Effect phase for the mission.
- ③ When the mission is received from an FDC, "FDC" will be displayed. If the mission is DIRECT or MANUAL, "OPR" will be displayed. If the mission is received from an Additional Subscriber, then "OTH" will be displayed.

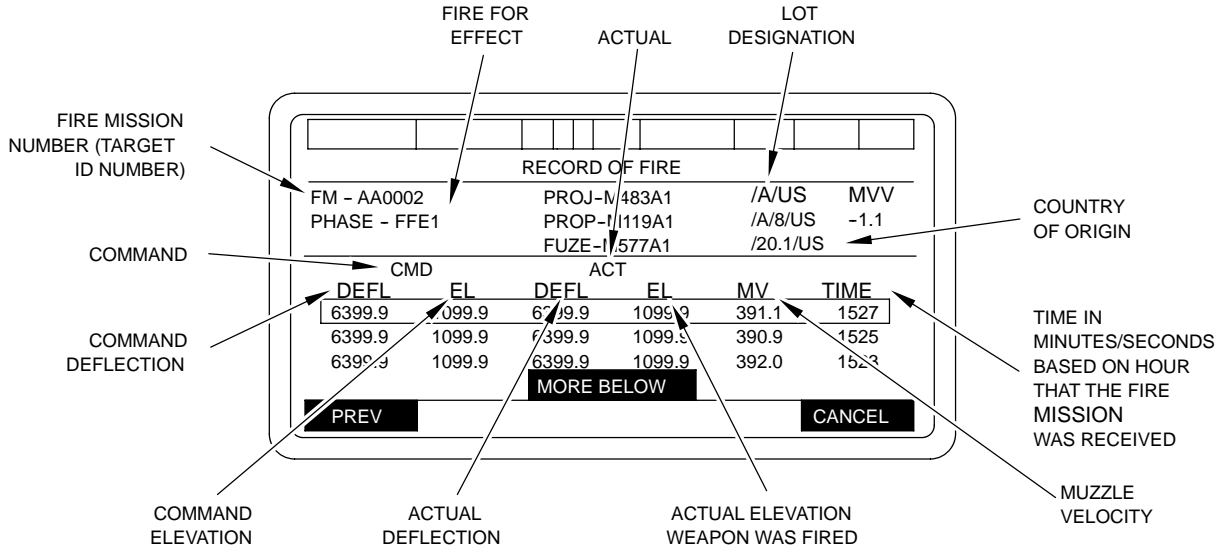
- The "FFE1" soft key will be blank when the fire mission selected is a "MANUAL" or "DIRECT".
- The "FFE1", "FFE2", or "ADJ" soft keys will allow you to view pre-shot data for that phase.
- The "CANCEL" soft key will display the RECORD OF FIRE menu.
- If the fire mission is an FDC computed mission, only the FFE1 soft key will be available.
- The "METDTI" field will show the date-time group from the MET message.
- The following default criteria for FDC computed fire missions shall appear in the RECORD OF FIRE displays.

MET (CURRENT NVM)
 POWDER TEMPERATURE (CURRENT NVM)
 MVV (-99.9)
 REGISTRATION DATA (ZEROS)
 TARGET LOCATION AND ELEVATION (ZEROS)

M-8 PDFCS FIRE MISSION - CONTINUED

M-8.7 System Menus - Continued

M-8.7.14 Record of Fire - Continued



- PREV** : Returns previous screen for viewing pre-shot data of different phase
- CANCEL** : Return to RECORD OF FIRE menu

06pc265t

NOTE

If more than four shots exist for a particular phase, three will initially be displayed and scrolling will be enabled. As the cursor is scrolled below the first three, two will be displayed, MORE ABOVE will appear on top of the shot data, and MORE BELOW will appear below the shot data.

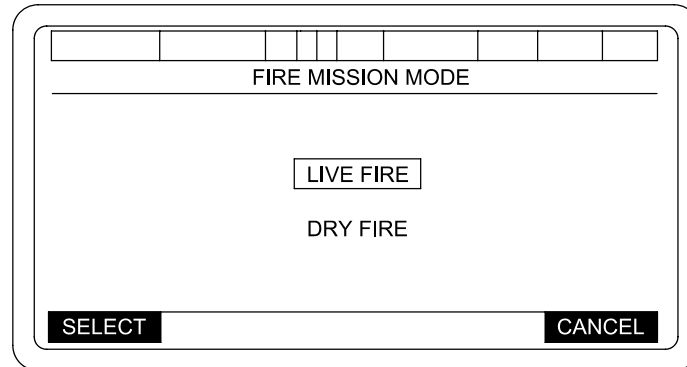
If the fire mission is an FDC computed mission only initial shell and fuze data (eg ADJUST) shall be displayed.

The MVV entry is the total MVV applied to the phase.

M-8 PDFCS FIRE MISSION - CONTINUED

M-8.7 System Menus - Continued

M-8.7.14.1 Fire Mission Mode.



06pc269t

- When “LIVE FIRE” is selected, EFC updates shall be performed upon EOM/Abort Fire Mission Processing.
- When “DRY FIRE” is selected, Muzzle Velocity processing and EFC processing shall not be performed. All other functions are performed as they would be in a normal Live Fire Mode. An operator warning “D” shall be shown in position 4 of the Function Status Field. This warning shall remain in all screens until “LIVE FIRE” is selected.

M-8.7.15 Muzzle Velocity. For more accurate firing data when computing ballistics, measured muzzle velocities are entered into the PDFCS. Also, muzzle velocities can be entered as they are measured. This is performed as followed:

WARNING

Ensure that correct propellant temperature and shell weights are entered in PDFCS. Failure to comply will result in incorrect ballistic computations. This could result in injury or death to friendly troops.

M-8 PDFCS FIRE MISSION - CONTINUED

M-8.7 System Menus - Continued

M-8.7.15 Muzzle Velocity - Continued

- a. Box in MUZZLE VELOCITY on SETUP AND INFORMATION menu and press SELECT key to display a MUZZLE VELOCITY VARIATION screen.

MUZZLE VELOCITY VARIATION

MVV-LOT
MVV-WEAR

SELECT CANCEL

06pc266t

- b. To delete muzzle velocities, box in MVV-LOT from the MUZZLE VELOCITY VARIATION screen and press SELECT.

MVV-LOT DELETE DATA

DELETE BY PROPELLANT CC/CHARGE/LOT
DELETE BY DATE

SELECT CANCEL

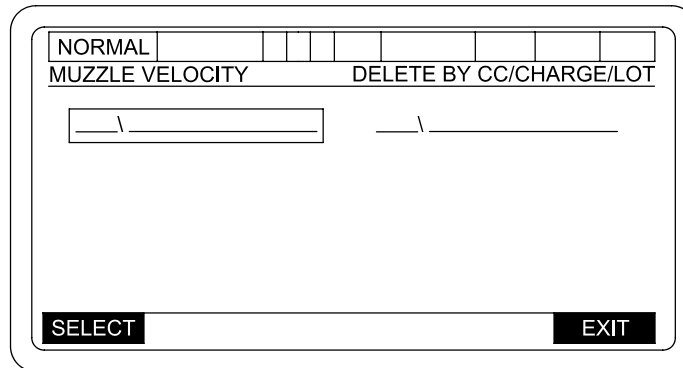
06pc266ta

M-8 PDFCS FIRE MISSION - CONTINUED

M-8.7 System Menus - Continued

M-8.7.15 Muzzle Velocity - Continued

- c. To delete muzzle velocity by propellant cc/charge/lot, box in DELETE BY PROPELLANT CC/CHARGE/LOT and press SELECT.



06pc273t

Lots are displayed in ascending ASCII sort sequence by country, manufacturer’s propellant lot, and then propellant charge. When SELECT soft key is pressed the short message “DELETE VELOCITY DATA” “YES” “NO” will be displayed. YES causes the MVV Lot data for the selected propellant lot to be deleted from the display. NO allows the re-selection of a propellant lot. While extended lot codes are being retrieved and sorted for display, the following message shall be displayed:

“RETRIEVING LIST PLEASE WAIT”

If no lots are available for deletion, the SELECT key will be blanked, you will have a CANCEL at soft key 4 and the message “NO LOTS TO DELETE” will be displayed.

If there is more than one page of entries in the MVV-Lot database you will have a “NEXT PAGE” at soft key 2 and “PREVIOUS PAGE” at soft key 3. If the first page of entries is displayed, the “PREVIOUS PAGE” soft key will be blanked. If the last page of entries is displayed, the “NEXT PAGE” soft key will be blanked.

EXIT replaces the CANCEL soft key once a lot has been deleted. When the “EXIT” soft key is pressed, the message “PERM DELETE LOTS” “YES” “NO” shall be displayed. If YES is selected, the propellant lots will be deleted from the MVV-Lot Database. If NO is selected, propellant lots shall not be deleted from the MVV-Lot Database.

M-8 PDFCS FIRE MISSION - CONTINUED

M-8.7 System Menus - Continued

M-8.7.15 Muzzle Velocity - Continued

- d. To delete muzzle velocity by the date box in DELETE BY DATE and press SELECT.

06pc267t

When ENT key is pressed, a validity check is performed on the entered date/time. If the date/time is invalid, you will receive a short error message: "INVALID DTG VALUE" "ACK". You will be required to enter a new Date/Time value. If the date/time data is valid, a short message "DELETE MVV" "YES" "NO". YES causes all MVV Lot data older than the entered DTG to be deleted. NO allows re-entry of the DTG.

- e. To update MUZZLE VELOCITY VARIATION tube wear information, box in MVV-WEAR from the MUZZLE VELOCITY VARIATION screen and press SELECT.

PROJ FAMILY	MVV TUBE WEAR
HE	0.6
ICM	0.4
RAP	0.2
BB	0.1
CPH	0.1

06pc267ta

When an entry has been selected the "+/-" will be displayed at soft key 2. The phrase "ENTER A VALUE BETWEEN -49.9 AND +49.9" and "PRESS ENT KEY" will be displayed. If the value is greater than +/- 49.9 you will receive a short error message: "VALUE TOO BIG" "ACK" or "VALUE TOO SMALL" "ACK". The value will be returned to the previous value displayed and allow re-entry. When you have updated an entry with a different value, "UPDATE" will be displayed at soft key 2. Press "UPDATE". This will update the MVV-Wear database and return to the MUZZLE VELOCITY VARIATION screen.

M-8 PDFCS FIRE MISSION - CONTINUED

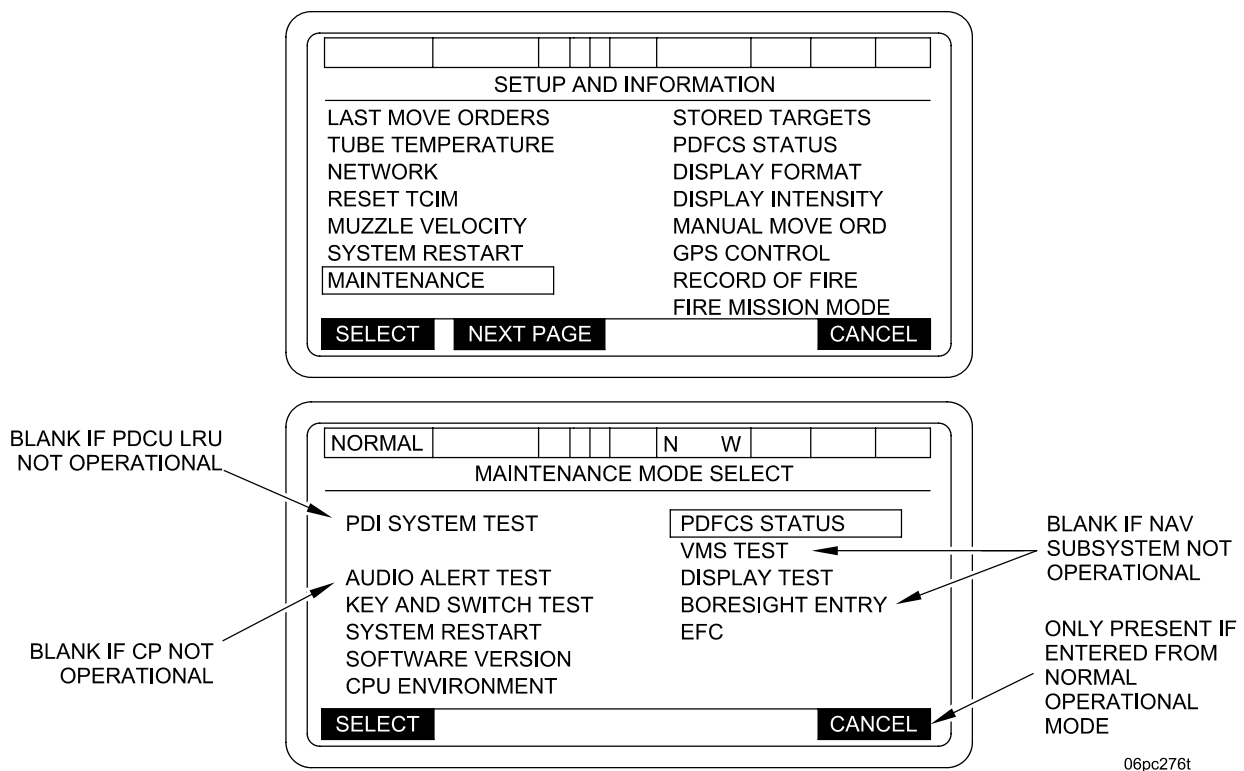
M-8.7 System Menus - Continued

M-8.7.16 Operational Maintenance Transition.

The PDFCS will provide the capability for the PDFCS operator to transition from NORMAL OPERATIONAL MODE functions to MAINTENANCE MODE functions and back to NORMAL OPERATIONAL MODE without having to POWER DOWN, perform SYSTEM RESTART, or perform NORMAL OPERATIONAL MODE initialization procedures. This capability will only be available when the PDFCS has successfully completed a NORMAL OPERATIONAL MODE initialization. Selection of the MAINTENANCE MODE from the PDFCS MODE SELECTION display will not allow the PDFCS operator to transition to NORMAL OPERATIONAL MODE without first having to POWER DOWN, perform SYSTEM RESTART, or do a NORMAL OPERATIONAL MODE "INITIALIZATION" procedure.

When MAINTENANCE MODE functions are selected from the PDFCS NORMAL OPERATIONAL MODE, the PDCU will be directed to limit instructive testing to only respond to Fire Mission requests. When MAINTENANCE MODE is entered from the PDFCS SELECT OPERATIONAL MODE display, the PDCU will be allowed to perform its full range of intrusive tests.

If a Fire Mission is received while the PDFCS is in a MAINTENANCE MODE function which was activated from the NORMAL OPERATIONAL MODE, the operator will be prompted to either accept or reject the mission. NORMAL OPERATIONAL acceptance of the mission will automatically terminate all MAINTENANCE MODE function activity and transition to NORMAL OPERATIONAL MODE Fire Mission processing. Operator rejection of the mission will cause an operator ABORT of the Fire Mission and will cause the PDFCS to remain in the currently active MAINTENANCE MODE function.

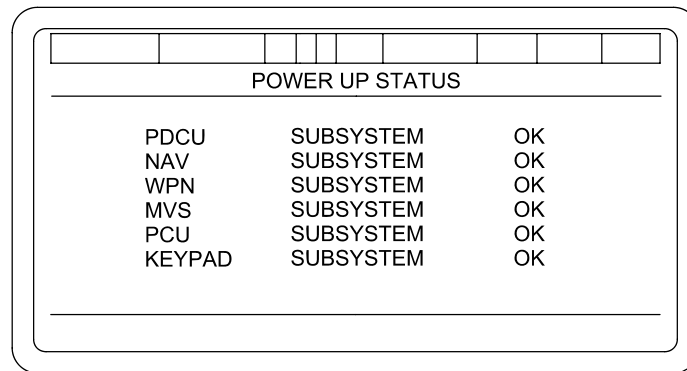


M-9 PDFCS AND PDI FAULT DETECTION.

M-9.1 Power Up Built-In-Test (BIT).

The BIT is a self-test of the PDFCS. This test occurs when the vehicle MASTER power is ON and the PDFCS POWER switch (located on the PDU), is placed to ON. By placing the PDFCS POWER switch and PCU-2 circuit breakers to ON, the PDU will display the screen shown.

As each of the six subsystems is tested, the - will change and provide a subsystem condition. An OK condition (see illustration below), indicates a subsystem is 100% functional.

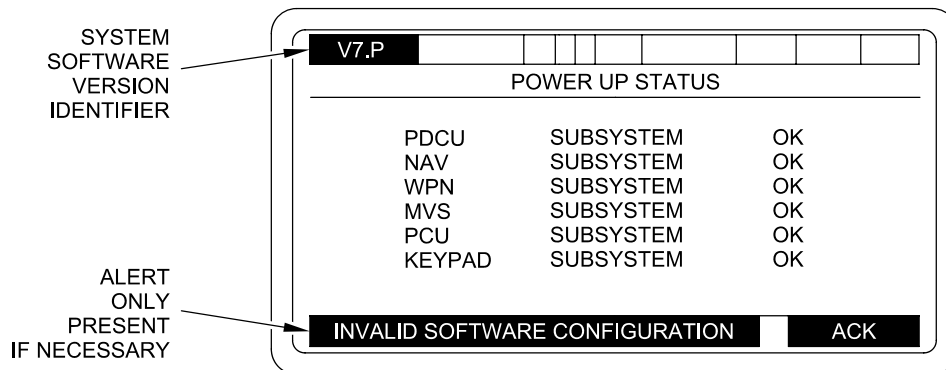


06pc076mc

NOTE

If PDU contains an incorrect configuration, the PDFCS will not allow the operator to select normal operations until a correct PDU software configuration is downloaded.

When configuration verification checking indicates that the executed software configuration is not the same as the acquired software configuration, a short error message “INVALID SOFTWARE CONFIGURATION”, “ACK” will appear on the sofkey label line of the PDU.



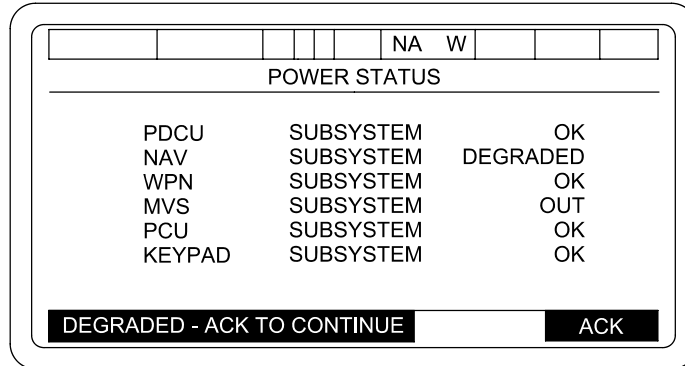
06pc279t

When the message is acknowledged, the PDFCS will proceed to the “SELECT OPERATIONAL MODE” menu. To view detailed software configuration information for each LRU, MAINTENANCE should be selected, IAW procedure in para M-9.2.

M-9 PDFCS AND PDI FAULT DETECTION - CONTINUED

M-9.1 Power Up Built-In-Test (BIT) - Continued

The display shown in the example below illustrates two conditions, DEGRADED and OUT.



06pc077md

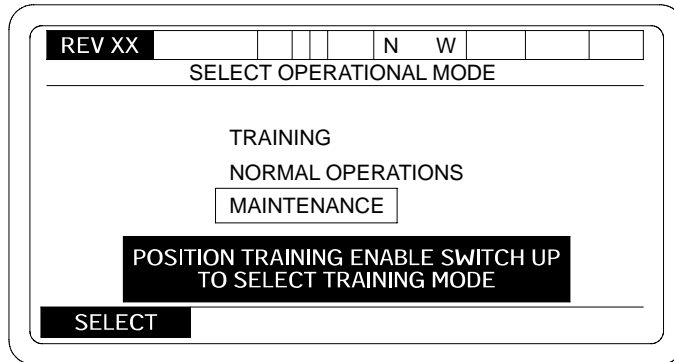
The DEGRADED condition indicates a subsystem is not 100% functional. When a degraded condition exists, it will be indicated in field 7 by one or a combination of these letters with the following meaning:

- N - Navigation
- A - GPS Aiding
- C - Communication Processing
- W - Weapon Controller

M-9 PDFCS AND PDI FAULT DETECTION - CONTINUED

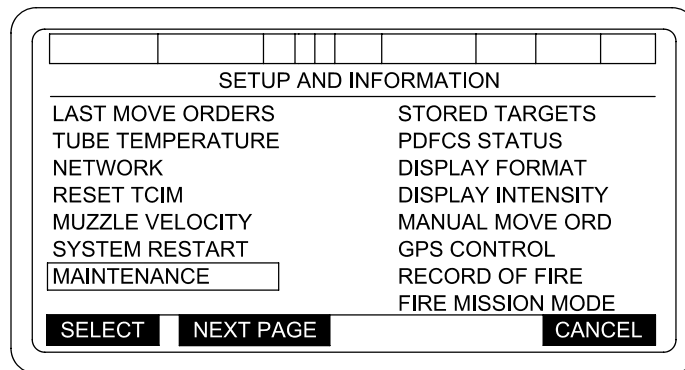
M-9.1 Power Up Built-In-Test (BIT) - Continued

These two conditions, OUT and DGRD, will be tested to determine where the fault exists and the extent of the fault. After a fault has been detected (OUT or DGRD condition during self-test) press the illuminated soft key beneath the word ACK. After pressing the ACK key, the screen shown below will be displayed.



hipc4198

The display above depicts three modes: TRAINING, NORMAL OPERATION and MAINTENANCE. To select MAINTENANCE MODE, box in MAINTENANCE as shown in the illustration above. Press illuminated soft key beneath the word SELECT to enter maintenance mode master menu.



06pc276ta

The PDFCS also provides the capability for the PDFCS operator to transition from Normal Operational Mode functions to Maintenance Mode functions and back to Normal Operational Mode without having to perform a power down sequence, system restart, or Normal Operational Mode initialization procedures. This capability shall only be available when the PDFCS has successfully completed a Normal Operational Mode initialization. Selection of the Maintenance Mode from the PDFCS Mode Selection display shall not allow the PDFCS operator to transition to Normal Operational Mode without first performing either a power down sequence or a system restart.

When Maintenance Mode functions are selected from the PDFCS Operational Mode, the PDI shall be directed to limit intrusive testing to only those tests which will not impact the ability of the PDFCS to quickly respond to fire mission requests. When Maintenance Mode is entered from the PDFCS Mode Selection display, the PDI shall be allowed to perform its full range of intrusive tests.

M-9 PDFCS AND PDI FAULT DETECTION - CONTINUED

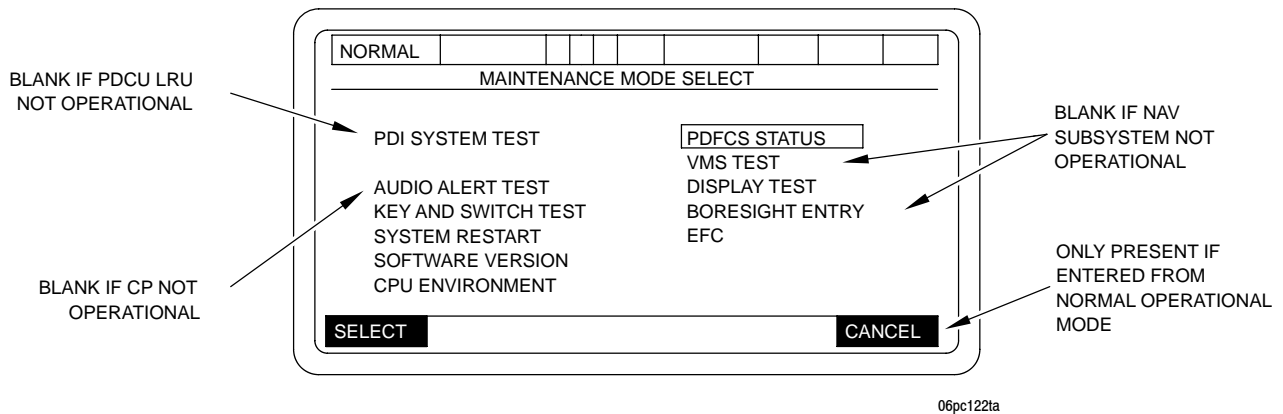
M-9.1 Power Up Built-In-Test (BIT) - Continued

If a fire mission is received while the PDFCS is in a Maintenance Mode function which was activated from the Operational Mode, the operator shall be prompted to either accept or reject the mission. Operator acceptance of the mission shall automatically terminate all Maintenance Mode function activity and transition to Normal Operational Mode fire mission processing. Operator rejection of the mission shall cause an operator abort of the fire mission and shall cause the PDFCS to remain in the currently active Maintenance Mode function.

M-9.2 PDFCS Status.

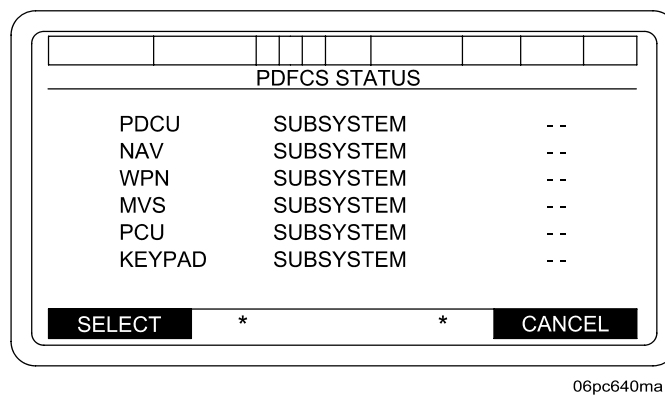
To display the PDFCS STATUS menu:

- a. Select MAINTENANCE from the SETUP AND INFORMATION menu. Press SELECT key. This will cause the MAINTENANCE MODE SELECT menu to be displayed.



If MAINTENANCE is selected from NORMAL OPERATIONAL MODE, the MAINTENANCE screen will display “SELECT” and “CANCEL” options above soft keys 1 and 4 in field 16.

- b. Select PDFCS STATUS from the MAINTENANCE MODE SELECT menu. Press SELECT key. This will cause the PDFCS STATUS menu to be displayed.



The PDFCS STATUS menu will display the various subsystem faults. Using this fault list (showing Degraded Mode of each subsystem), you will be able to determine if Degraded Mode is acceptable depending on mission requirements.

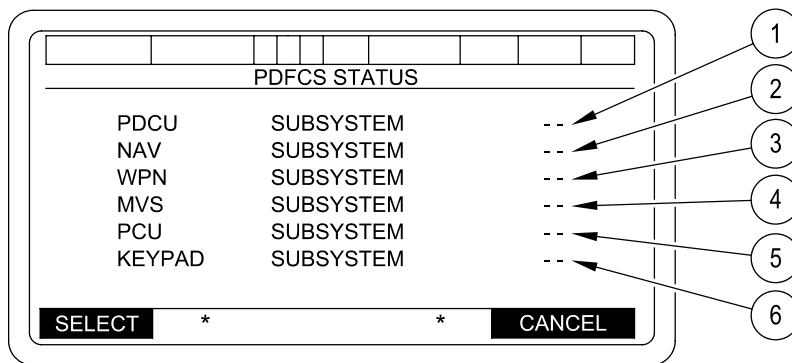
M-9 PDFCS AND PDI FAULT DETECTION - CONTINUED

M-9.2 PDFCS Status - Continued

Certain degraded subsystems will not interfere with PDFCS operation or mission capability. It is important to know, however, which subsystem is degraded (and which BIT item has failed). Knowing which failure to compensate for/correct will allow you to carry on with your mission. The various LRUs communicate/send messages periodically within PDFCS. Whenever an LRU has not sent a message within a certain amount of time, the LRU timer sends an LRU FAILED message. In the event you get an LRU FAILED message, go into MAINTENANCE menu, check PDFCS STATUS. If LRU failed, notify unit maintenance.

The PDFCS STATUS menu is used by unit maintenance personnel, as well as by the operator. The operator must notify unit maintenance of any subsystem listed with a status of DEGRADED or OUT, then no faults within that subsystem are indicated. Look at each subsystem carefully.

Select the subsystem in question. Further information will be displayed to help determine where the fault lies.



① = (OK, DEGRADED, OUT)

② = (OK, DEGRADED, OUT)

③ = (OK, DEGRADED, OUT)

④ = (OK, OUT, --) Where -- indicates that the PDFCS could not connect to the MVS

⑤ = (OK, DEGRADED, --) Where -- indicates PDCU failure that prevents PCU status from being determined

⑥ = (OK, DEGRADED, --) Where -- indicates PDCU failure that prevents KEYPAD status from being determined

SELECT = SELECT A SUBSYSTEM

CANCEL = CANCEL and return to SETUP AND INFORMATION menu or INTERNAL MAINTENANCE menu

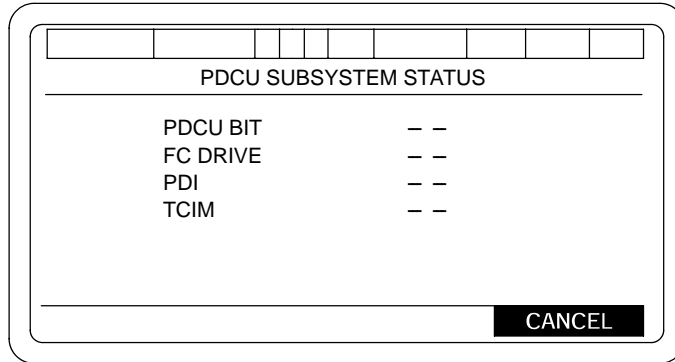
* = No test appears for these softkeys. Pressing FUNCTION KEY 2 or 3 will clear ET SIMULATED FAILURES

06pc641ma

M-9 PDFCS AND PDI FAULT DETECTION - CONTINUED

M-9.2 PDFCS Status - Continued

M-9.2.1 PDCU SUBSYSTEM STATUS Display.

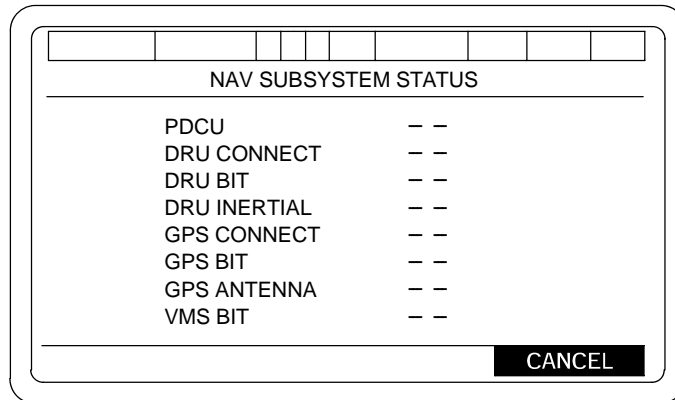


-- = (OK, FAIL)

CANCEL = Return to the PDFCS STATUS display

06pc642m

M-9.2.2 NAV SUBSYSTEM STATUS Display.



-- = (OK, FAIL)

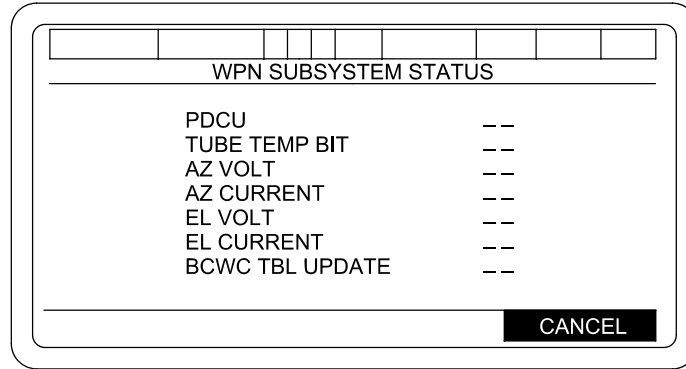
CANCEL = Return to the PDFCS STATUS display

06pc643m

M-9 PDFCS AND PDI FAULT DETECTION - CONTINUED

M-9.2 PDFCS Status - Continued

M-9.2.3 WPN SUBSYSTEM STATUS Display.

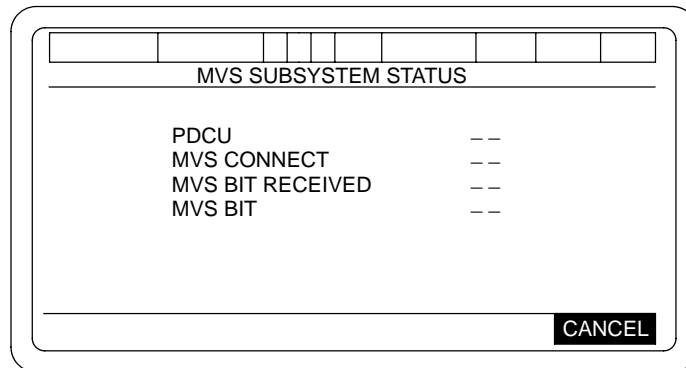


-- = (OK, FAIL)

CANCEL = Return to the PDFCS STATUS display

06pc644ma

M-9.2.4 MVS SUBSYSTEM STATUS Display.



-- = (OK, FAIL)

CANCEL = Return to the PDFCS STATUS display

= Press CANCEL twice,
returns to MAINTENANCE MODE SELECT
display

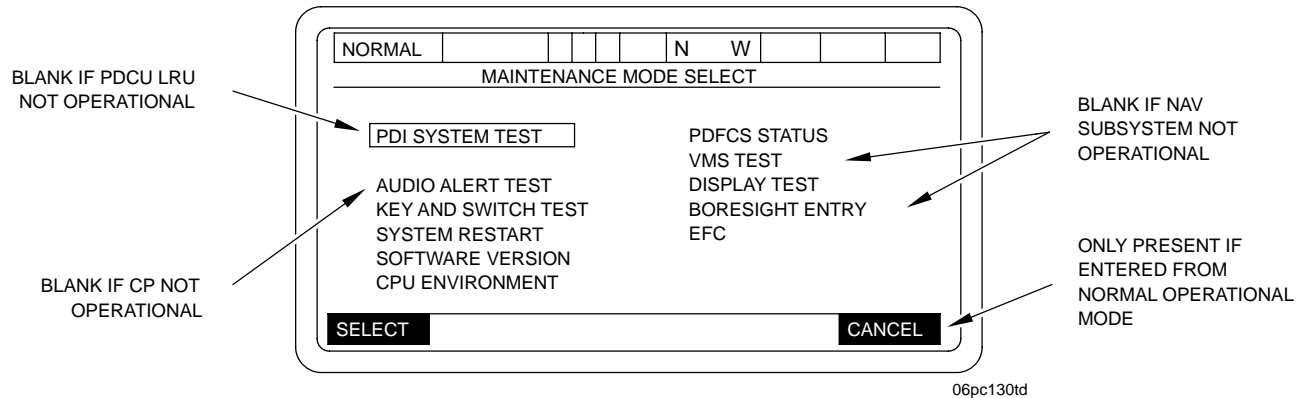
06pc645m

M-9 PDFCS AND PDI FAULT DETECTION - CONTINUED

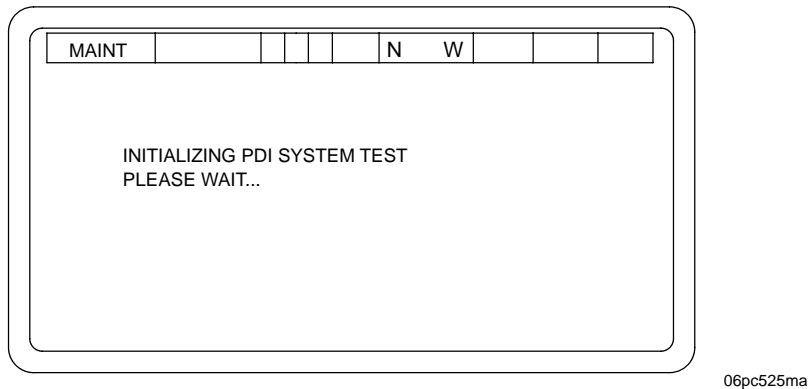
M-9.3 PDI System Test.

Ensure NAV alignment is complete prior to performing PDI system test.

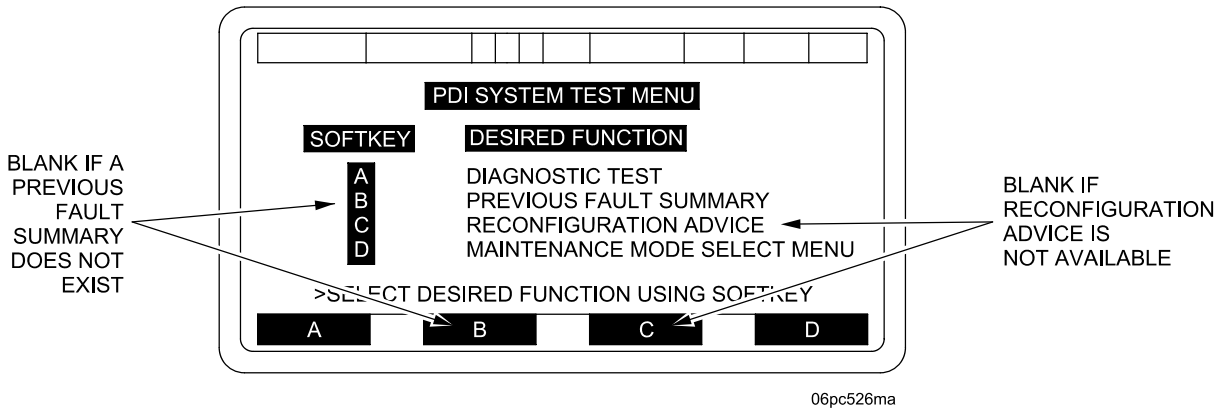
To start the PDI SYSTEM TEST, move the cursor with the arrow keys until the PDI SYSTEM TEST is boxed, as shown below.



Press SELECT. The screen will display the prompt "ARE YOU SURE," YES OR NO. Press "YES". The screen will display the following message:



This message requires no action on your part. In 3 to 5 seconds, when the system is ready, it will be replaced with a menu display like the following:



This menu allows you to select whichever function you wish to perform.

M-9 PDFCS AND PDI FAULT DETECTION - CONTINUED

M-9.3 PDI System Test - Continued

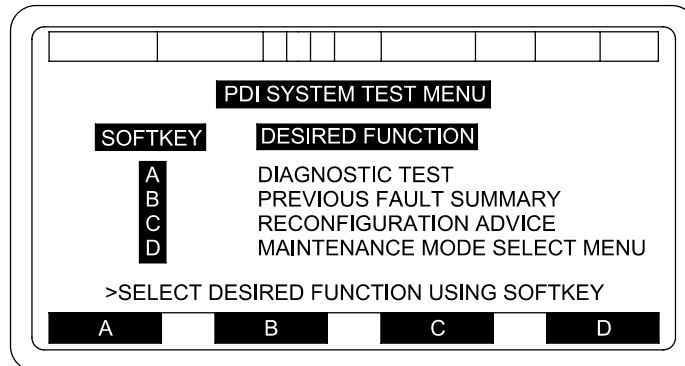
NOTE

The previous Fault Summary and Reconfiguration Advice functions are not always available. These options will not be displayed if their functions cannot be performed. (The different menu screens that can be seen because of this are shown at the end of the description.)

Each of the four functions will now be described separately.

DIAGNOSTIC TEST

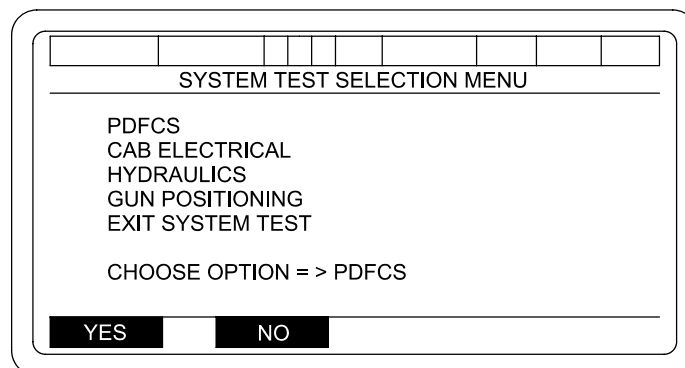
To perform DIAGNOSTIC TEST, press the "A" softkey.



06pc527mb

The next screen allows you to select which part of the system you would like to test based upon the problem you are troubleshooting. The Gun Positioning System will not be available until the hydraulics segment has been successfully tested (the PDI should not be reset). To test the entire system, all four segments should be tested in the order they appear on the screen. As each segment passes its test, the next segment should be selected from this screen without resetting the system. If any of the segmented tests fail, the fault should be corrected, the PDFCS should be reset and the testing should begin again with the first test. Continuing testing without resetting the system can result in false failures.

To perform any of the segment tests select "YES" when that segment appears behind "CHOOSE OPTION".

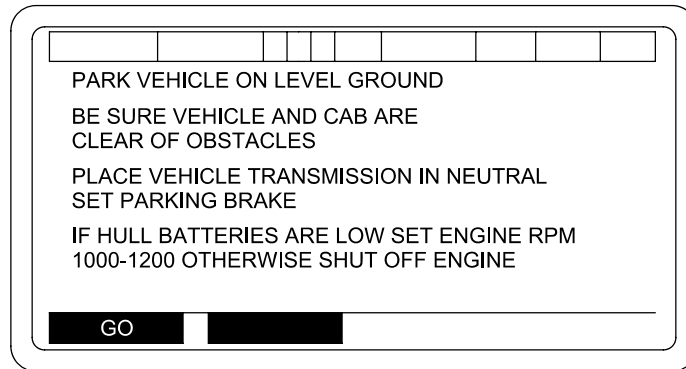


06pc377mc

M-9 PDFCS AND PDI FAULT DETECTION - CONTINUED

M-9.3 PDI System Test - Continued

The following screen will be displayed.

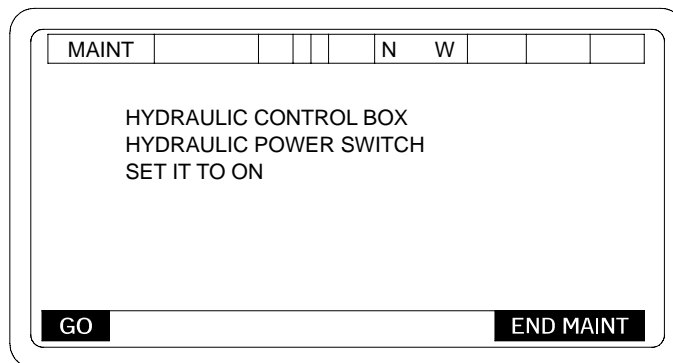


06pc378ma

When you have completed the required actions, press GO softkey and testing will continue.

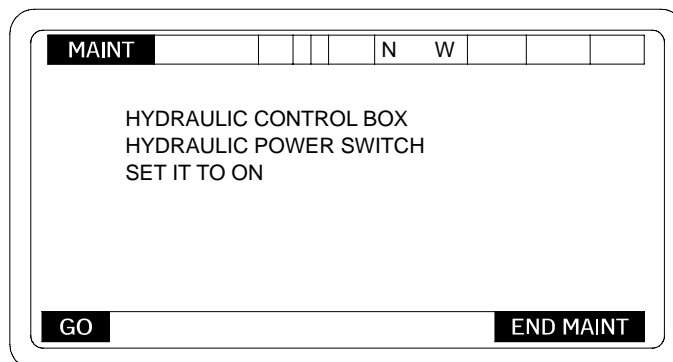
During the next few screens, you will be given the CANCEL softkey option. CANCEL is there in case you selected the DIAGNOSTIC TEST function (from the menu) by mistake or in case you changed your mind. When you press CANCEL, the system will display the PDI SYSTEM TEST MENU again.

Throughout diagnostic testing, you will be given instructions. When you press GO, you are telling the system that you have done the task it asked for. It is important that you complete the task before pressing GO because many of the decisions that the system makes are based on the actions that you made. A typical instruction is shown below:



06pc411m

When you are instructed to perform an action such as the screen below, the PDI measures the voltage of the switch.

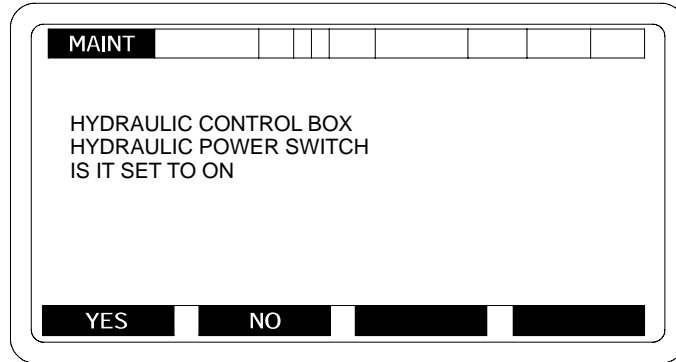


06pc408m

M-9 PDFCS AND PDI FAULT DETECTION - CONTINUED

M-9.3 PDI System Test - Continued

If the result is not correct, then you are asked if you performed the action correctly, as shown in the screen below.

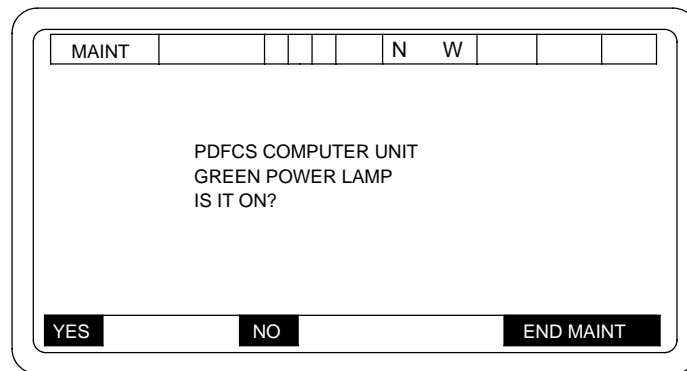


06pc409m

If you answer "YES", a fault will be detected by the PDI. If you answer "NO", you will be given another chance to perform the action correctly. Then, if the action is not performed correctly, a fault will be detected by the PDI.

Most of the displays in the main section of the DIAGNOSTIC TEST will include an END MAINT softkey at the bottom of the display. When this is present, you have the option of stopping the test at that point. If you press END MAINT, testing will immediately stop and you will see the Fault Summary display with all of the test results up to where you stopped. This feature is provided to allow you to return to normal operations with a minimum of delay if necessary. REMEMBER - When you press END MAINT, the system can only report the results of the test up to where you stopped. There may be further faults not detected.

During diagnostic testing, you will also be asked to answer questions. A typical question is shown below:



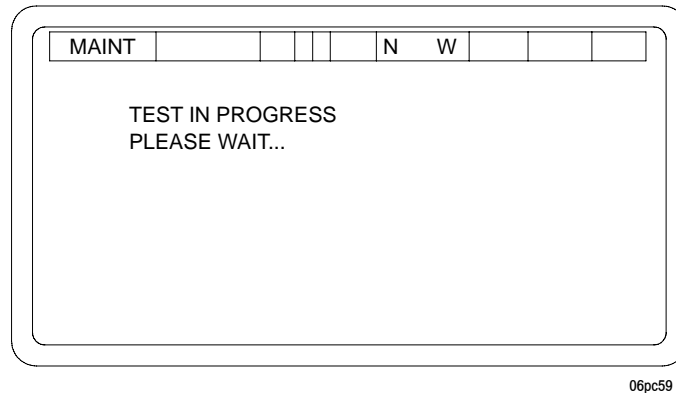
06pc407mb

Questions will always be asked so that a YES or NO answer is possible by pressing the YES or NO softkeys. The system is using your ability to see, feel and hear to get the information it needs. It uses your answers to make decisions about functions that cannot be measured directly by the PDI.

M-9 PDFCS AND PDI FAULT DETECTION - CONTINUED

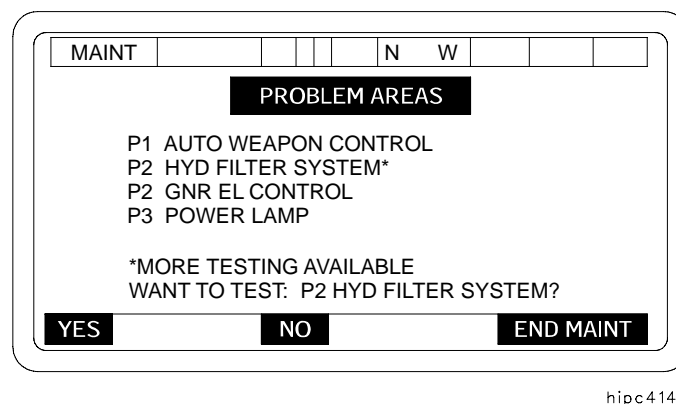
M-9.3 PDI System Test - Continued

Several times during diagnostic testing, you will see messages that start with the words "TEST IN PROGRESS" like the following screen:



These screens have no labels for the softkeys at the bottom of the screen and require no response. They are intended to let you know that the system has recognized your last response and is busy with a long test operation. When it is ready to continue, the display will automatically change to a question or instruction message.

If you are troubleshooting a hydraulics or weapon positioning problem or performing a full system checkout, you should press the YES softkey. The system will then begin a new sequence of instructions and questions. Most faults will be isolated as far as possible by the PDI during the normal sequence of DIAGNOSTIC TEST. Usually, the test sequence will run to completion and display the Fault Summary screen. However, some faults can be isolated further. This requires extra testing which can involve disconnecting cables and opening the hydraulic compartment. When one of these faults is detected, the system will remember it until it has finished all of the fault detection tests. It will then display a special menu screen like the following:

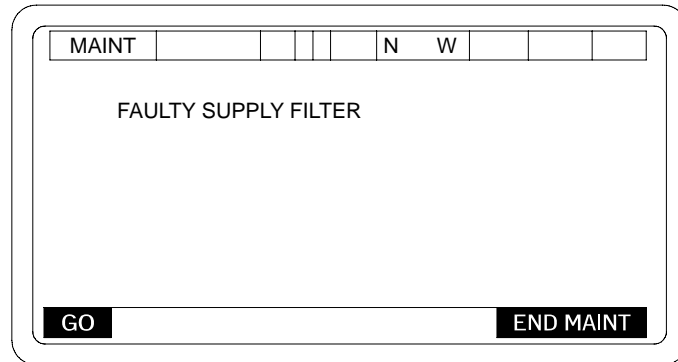


Each of the problem areas that requires extra testing will be displayed with an asterisk (*). The question line at the bottom will have the same name of the first extra test problem area. You can choose to continue testing this problem area by pressing YES. If you press NO, the name of the next extra test problem area will appear. As long as you continue to press NO, the names of the * problem areas will appear in the question, one at a time. If you decide not to do any of the extra testing, press END MAINT and the system will immediately display the Fault Summary.

M-9 PDFCS AND PDI FAULT DETECTION - CONTINUED

M-9.3 PDI System Test - Continued

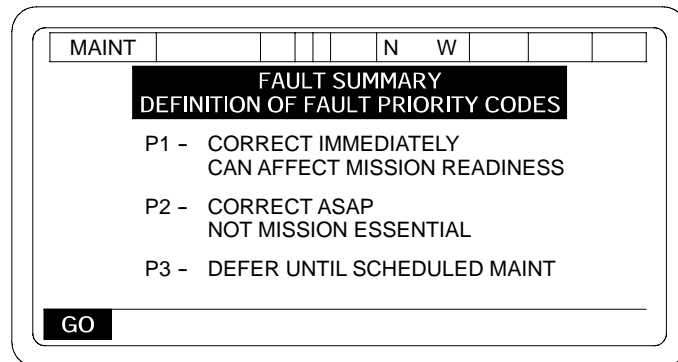
If you press the YES softkey for one of the problem areas, testing will continue with instructions and questions until the fault has been isolated as far as possible by the PDI. When the extra testing is complete, you will see a screen like the following:



hipc4147

This screen may show one faulty LRU or a short list of possible faulty LRUs that must be isolated further by manual troubleshooting procedures. It tells you that the PDI has done all of the testing it can. When you press GO, the Fault Summary screens will begin.

The first screen of the Fault Summary sequence will be definition of the Fault Priority Codes assigned to each fault message.



hipc4148

- P1 - These faults require immediate attention. You have lost or may soon lose a major system function that may affect your mission capabilities.
- P2 - These faults do not immediately affect your mission readiness but should be corrected as soon as possible.
- P3 - These faults can be deferred until a scheduled maintenance period.

M-9 PDFCS AND PDI FAULT DETECTION - CONTINUED

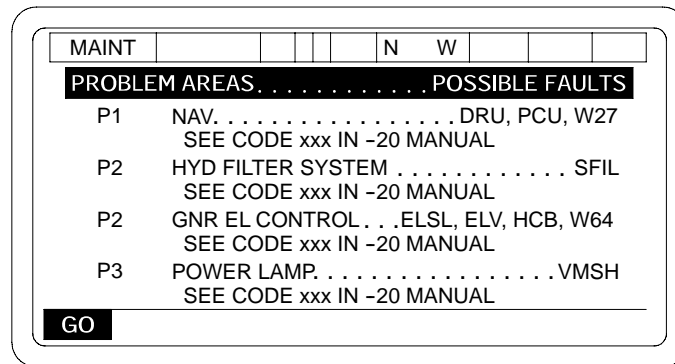
M-9.3 PDI System Test - Continued

The fault definition screen is followed by a Fault Summary list like the one shown on the next screen.

NOTE

All of the information in the Fault Summary screens should be reported to Unit Maintenance. It is a good idea to copy the list of problems and possible faults before pressing GO. If you forget or don't have time to copy all the information now, it can be redisplayed by selecting the Previous Fault Summary option in the PDI SYSTEM TEST MENU screen the next time it is displayed, even if power has been removed.

Press the GO softkey to continue.



hipc4149

The Fault Summary screens are a list of all of the problems found during screen DIAGNOSTIC TEST. When no problems have been detected, this will simply say "NO FAULTS FOUND" and the Definition of Fault Priority Codes screen will not be shown. However, when problems have been detected, a list like the one above will appear.

When the Fault Summary displays problem areas, it also displays a list of possible faulty LRUs for each problem area and a -20 manual code number. When only one LRU is listed for a problem area, DIAGNOSTIC TEST has determined that the LRU is definitely faulty and must be replaced. When more than one LRU (separated by commas) is listed as a possible fault for a problem area, further isolation by Unit Maintenance is required to determine which one of the LRUs listed is faulty.

The code number (xxx) listed in the "SEE CODE XXX IN -20 MANUAL" message is a reference to an index in the -20 manual which lists the page where the correct manual troubleshooting procedure can be found.

M-9 PDFCS AND PDI FAULT DETECTION - CONTINUED

M-9.3 PDI System Test - Continued

The Fault Summary list can take up to three screens. When you have finished viewing or copying the information on each Fault Summary screen, press GO to continue. If more faults were detected, the next Fault Summary screen will be displayed. Some faults may not appear due to limited space on the screens. After corrective actions have been accomplished, the test should be re-run to ensure no additional faults are detected. If Reconfiguration Advice is available for the detected faults, you will be asked the following question:

A terminal window with a title bar containing 'MAINT' and 'N W'. The main text asks 'DO YOU WANT TO SEE RECONFIGURATION ADVICE?'. At the bottom, there are two buttons: 'YES' and 'NO'.

hipc4150

This screen offers you the chance to get further information on what backup modes of operation are available for subsystems that are not operational. If you press YES, a screen like the following will appear:

A terminal window with a title bar containing 'MAINT' and 'N W'. The main text provides instructions: 'NAVIGATION SUBSYSTEM IS OUT NOTIFY UNIT MAINT', 'NAVIGATE ON YOUR OWN VERIFY POSITION', 'USE ALTERNATE METHOD OF LAY', 'ENTER BASE AZ USING SECTOR OF FIRE MENU', 'ENTER POSN DATA USING MANUAL MOVE ORDER', and 'PRESS ARRIVED SOFTKEY'. At the bottom, there is a 'GO' button.

hipc4151

M-9 PDFCS AND PDI FAULT DETECTION - CONTINUED

M-9.3 PDI System Test - Continued

Reconfiguration Advice may take more than one screen depending on which (and how many) subsystems are not operational. After you have read each screen, press the GO softkey to continue.

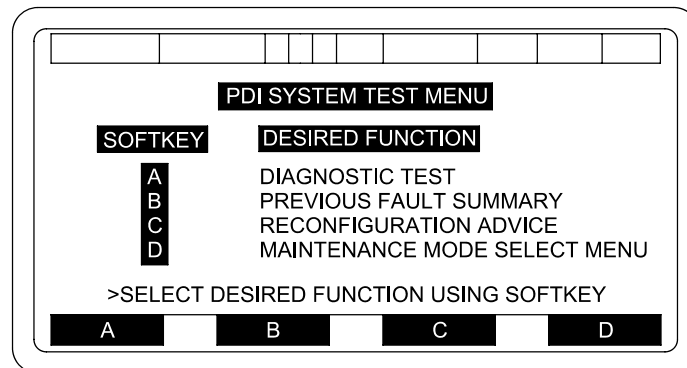
After all Reconfiguration Advice messages have been read, you will be given two screens of instructions that will return the vehicle to a given state. At this point, testing is complete. When you press the final GO, the screen will display the PDIU SYSTEM TEST MENU again.

General Notes About DIAGNOSTIC TEST

The sequence of messages and displays that you see during DIAGNOSTIC TEST will vary depending on the number of faults present in the vehicle. The system will choose its own path through the tests and guide you with instructions. Don't be concerned if you see messages and questions you haven't seen before. The system is simply troubleshooting a fault you haven't had before.

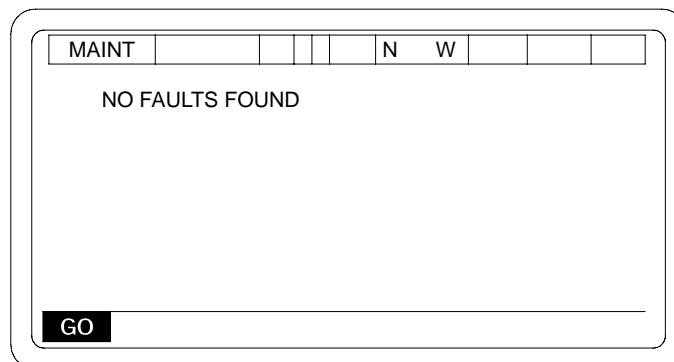
PREVIOUS FAULT SUMMARY

To view the PREVIOUS FAULT SUMMARY, press the B softkey.



06pc527mb

The PREVIOUS FAULT SUMMARY is a list of all the problems found during the last DIAGNOSTIC TEST performed. If no problems were detected, the following message will be displayed:

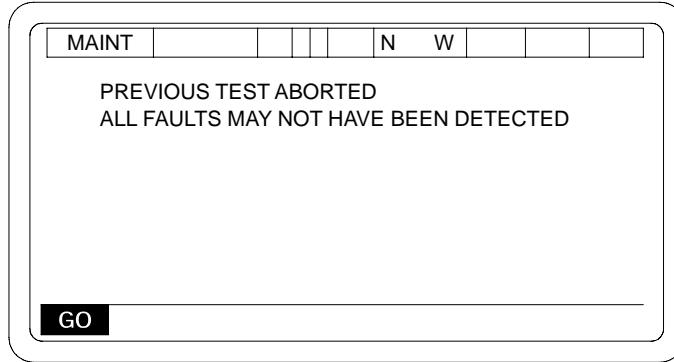


06pc4152

M-9 PDFCS AND PDI FAULT DETECTION - CONTINUED

M-9.3 PDI System Test - Continued

If the last DIAGNOSTIC TEST was aborted before completion, you will also see the following message:

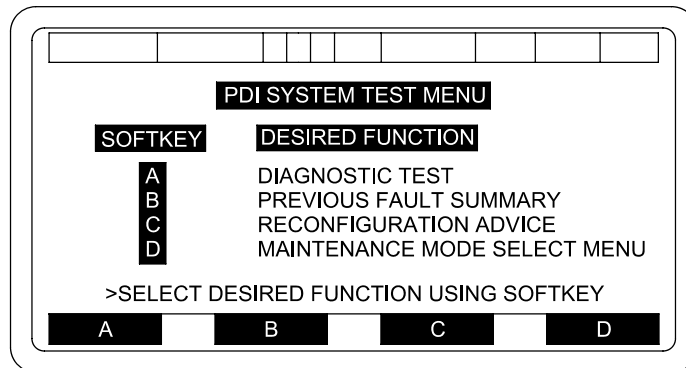


hipc4153

When all screens in the Previous Fault Summary display sequence have been viewed, the PDIU SYSTEM TEST MENU will automatically be displayed again.

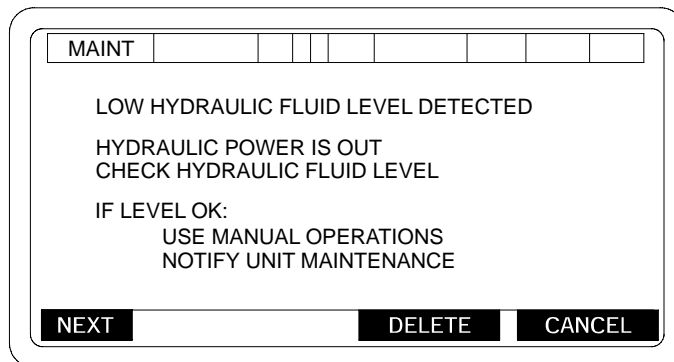
RECONFIGURATION ADVICE

To view Background Monitoring Mode RECONFIGURATION ADVICE, press the C softkey.



06pc527mb

A screen like the following will be displayed:



hipc4154

M-9 PDFCS AND PDI FAULT DETECTION - CONTINUED

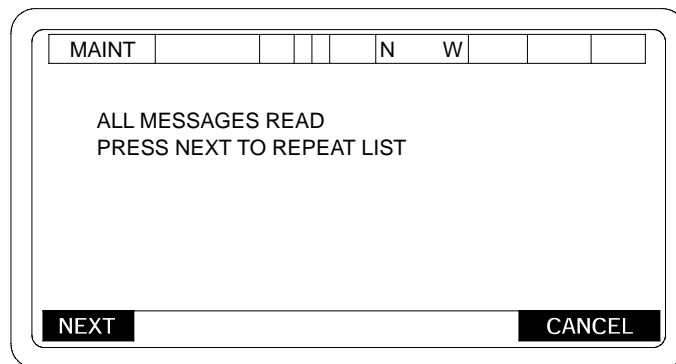
M-9.3 PDI System Test - Continued

RECONFIGURATION ADVICE offers you the opportunity to get more information on what Backup Modes of Operation are available for subsystems that are not operational. This information is displayed for each warning message sent to the PDCU during Normal Operations. RECONFIGURATION ADVICE can take several screens to display as each warning message/advisory information is displayed on a separate screen. You can cycle through and delete the messages as desired.

If you press NEXT, the next warning message and its advisory information will be displayed. If you press DELETE, the warning message and its advisory information displayed will be deleted and the next warning message will appear.

Throughout RECONFIGURATION ADVICE, the CANCEL softkey is available to you. If you press CANCEL, you will exit from RECONFIGURATION ADVICE and the PDI SYSTEM TEST MENU will be displayed again.

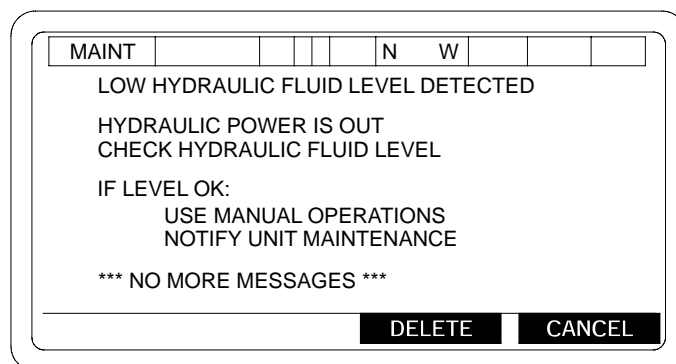
After all messages have been viewed, the following display will appear:



hipc4155

You can press NEXT to cycle through all the messages which were not deleted. Or press CANCEL to exit.

When the last message is displayed and there are no more messages to view, a display like the following will appear:



hipc4156

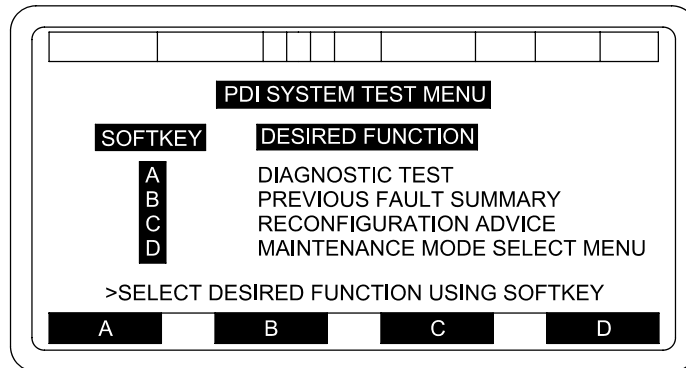
If you press DELETE, the warning message and its advisory information will be deleted and the PDI SYSTEM TEST MENU will be displayed again.

M-9 PDFCS AND PDI FAULT DETECTION - CONTINUED

M-9.3 PDI System Test - Continued

MAINTENANCE MODE SELECT MENU

To exit from PDI SYSTEM TEST, press the D softkey.



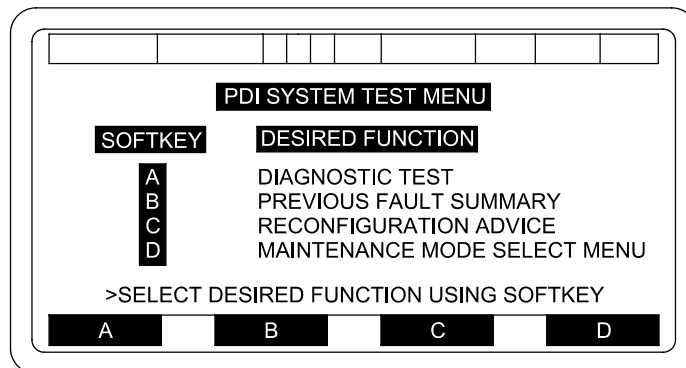
06pc527mb

Pressing D will terminate PDI SYSTEM TEST and the MAINTENANCE MODE SELECT menu screen will appear. The PDI will automatically enter into its Background Monitoring Mode.

PDI SYSTEM TEST MENU VARIATIONS

The following screens show all of the different menus that can be displayed when entering the PDI SYSTEM TEST. As mentioned above, all options are not always available. An option will not be displayed if its function cannot be performed.

In the following screen, all options are available to the user.

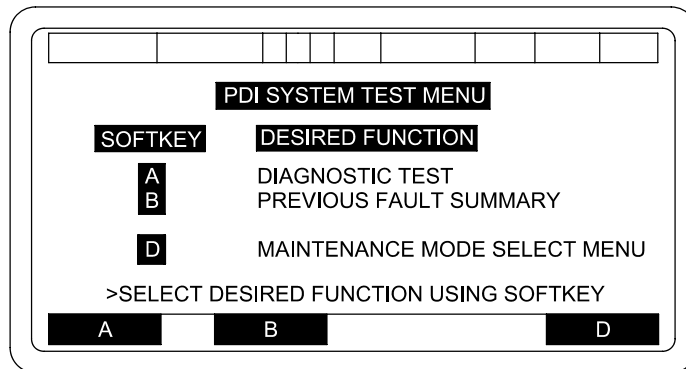


06pc527mb

M-9 PDFCS AND PDI FAULT DETECTION - CONTINUED

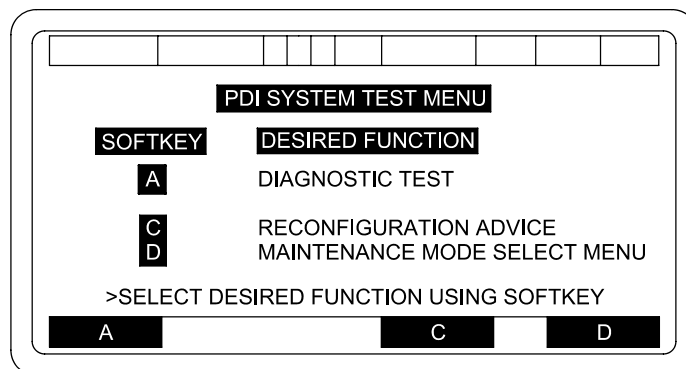
M-9.3 PDI System Test - Continued

The RECONFIGURATION ADVICE option is missing from the following menu screen. RECONFIGURATION ADVICE will only be available for warning messages sent to the PDCU during Normal Operations and for certain faults detected by the PDFCS.



06pc542mb

The PREVIOUS FAULT SUMMARY option is missing from the following menu screen. A PREVIOUS FAULT SUMMARY will only be available if the last DIAGNOSTIC TEST performed was aborted while in progress and faults had been detected or if the last DIAGNOSTIC TEST was completed.

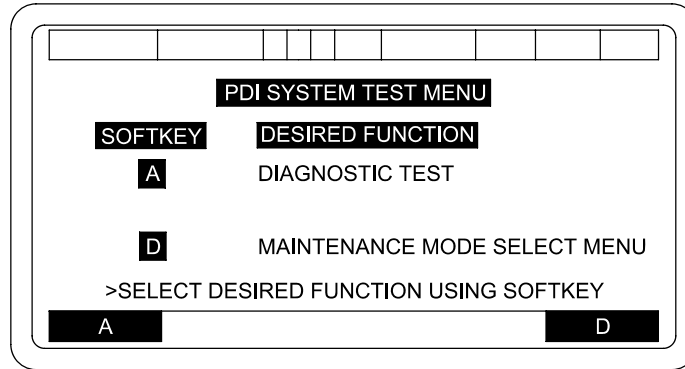


06pc543mb

M-9 PDFCS AND PDI FAULT DETECTION - CONTINUED

M-9.3 PDI System Test - Continued

Both the PREVIOUS FAULT SUMMARY and RECONFIGURATION ADVICE options are missing from the following menu screen. Neither of these options can be performed. DIAGNOSTIC TEST and MAINTENANCE MODE SELECT MENU options will always be available.



06pc546mb

DIAGNOSTIC TEST is the way you perform all diagnostic testing.

MAINTENANCE MODE SELECT MENU is the way you end PDI system testing and return to PDFCS operations.

M-9 PDFCS AND PDI FAULT DETECTION - CONTINUED

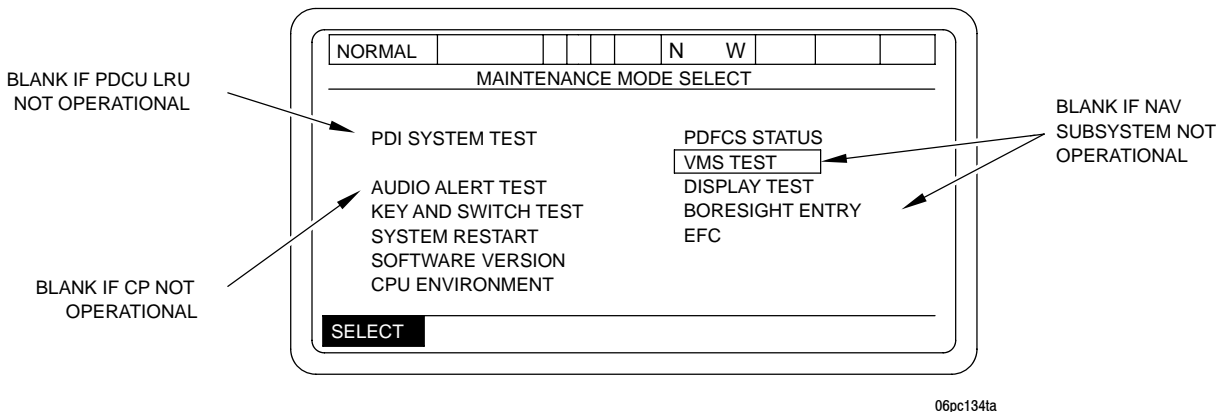
M-9.4 Vehicle Motion Sensor Test.

This test is designed to check Vehicle Positioning System. The VMS provides signals to the PDFCS that aid in the location and positioning of vehicle (coordinates).

This test SHOULD be performed under standard vehicle setup conditions (para M-9.3). This test is used whenever directed by troubleshooting procedures, or when NAV DEGRADED is displayed on the PDU and you get ZUPT requests after about 4 minutes of travel.

If test results indicate that VMS is not properly functioning, notify unit maintenance personnel for corrective action.

- a. Select VMS TEST from MAINTENANCE MODE SELECT menu.

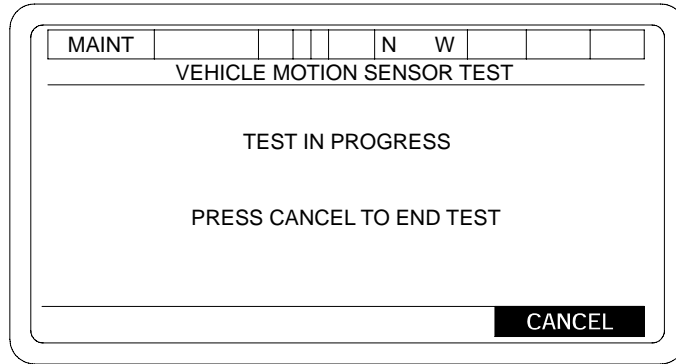


M-9 PDFCS AND PDI FAULT DETECTION - CONTINUED

M-9.4 Vehicle Motion Sensor Test - Continued

This test is run automatically.

- b. Depressing soft key under CANCEL will end test and take you back to MAINTENANCE MODE SELECT menu.

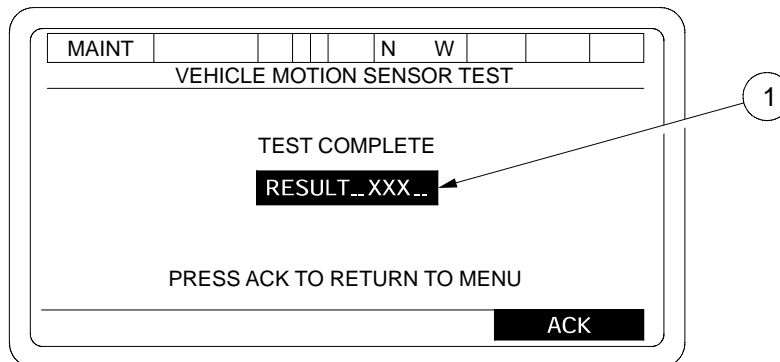


hipc4167

If test results indicate a fault, determine if this degraded mode is acceptable. If not, notify unit maintenance.

Test results can show any of the following:

- RESULT -- VMS GOOD
- RESULT -- VMS BAD
- RESULT -- CAB SIDE VMS MODEM BAD
- RESULT -- CHASSIS SIDE VMS MODEM BAD



hipc4168

- 1 VMS GOOD
- OR
- CHASSIS SIDE VMS MODEM BAD
- OR
- CAB SIDE VMS MODEM BAD
- OR
- VMS BAD

- c. When test is ended, depress soft key under ACK. This will take you back to MAINTENANCE MODE SELECT menu.

M-9 PDFCS AND PDI FAULT DETECTION - CONTINUED

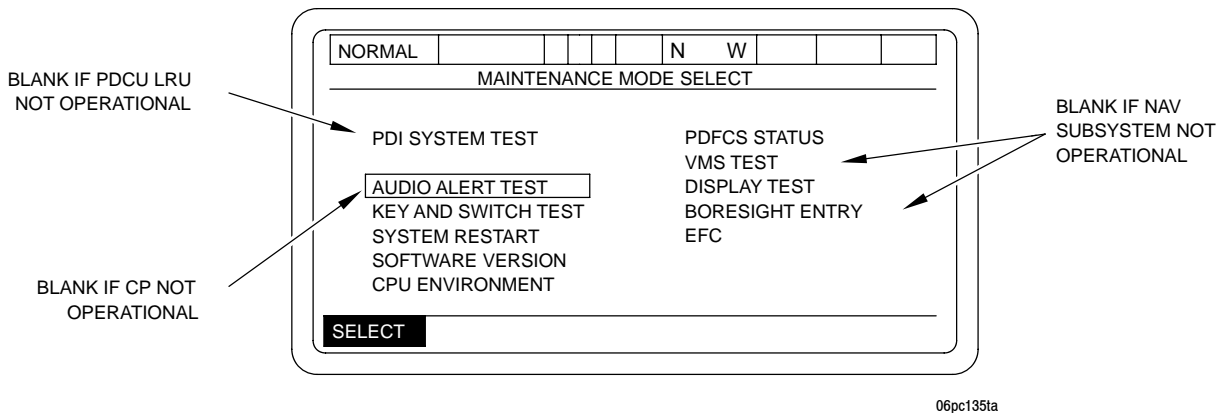
M-9.5 Audio Alert Test.

This test checks the PDFCS communications system fire mission alert notification. During this test, all crewmember's intercom control boxes should emit a repeating tone for 5 seconds. Checks of CVC helmets and intercoms should be performed.

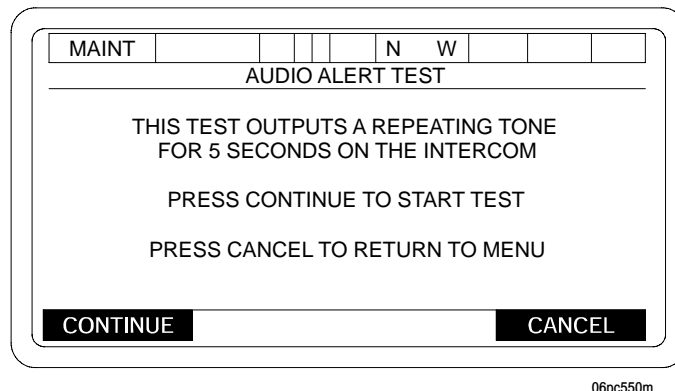
This test should be performed under the standard vehicle setup conditions.

This test is used when directed by troubleshooting procedures, or if testing intercom/CVC is desirable.

- a. Select AUDIO ALERT TEST from MAINTENANCE MODE SELECT menu. Press SELECT KEY. AUDIO ALERT TEST is displayed.



- b. Depressing soft key under CANCEL will take you back to MAINTENANCE MODE SELECT menu.
- c. Depressing soft key under CONTINUE will start your AUDIO ALERT TEST.
- d. When your AUDIO ALERT TEST is completed, you may depress soft key under CONTINUE to repeat test.
- e. When test is completed, depress soft key under CANCEL to return to MAINTENANCE MODE SELECT menu.
- f. If there is fault with your intercom/PDFCS, notify unit maintenance.



M-9 PDFCS AND PDI FAULT DETECTION - CONTINUED

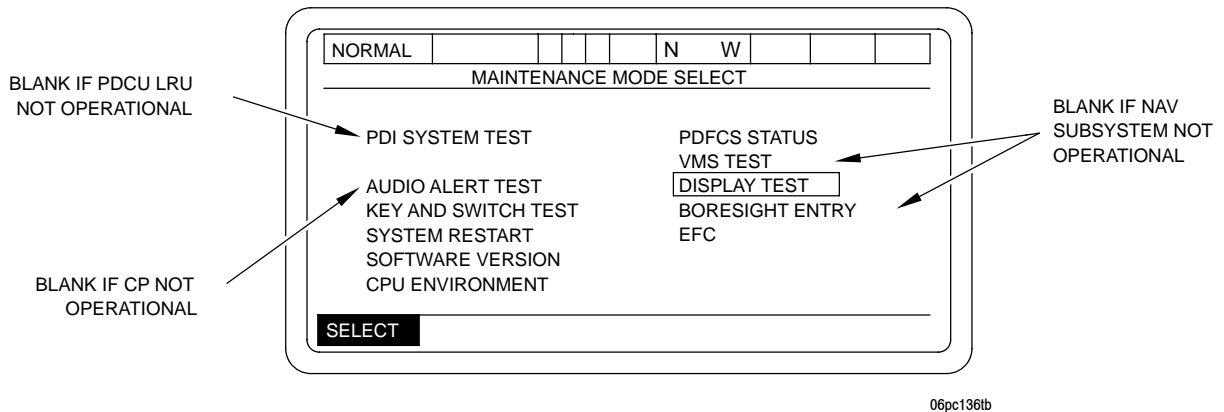
M-9.6 Display Test.

This test checks the uniform color contrast of the display. Information appearing on the screen may become too light to read.

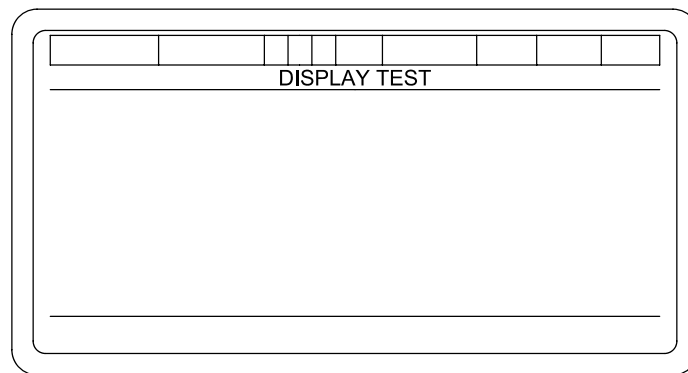
This test should be performed under standard vehicle setup condition (para 3-5A.3).

This test will be used when directed by troubleshooting procedures, or if testing of PDU screen is desirable.

- a. Select DISPLAY TEST from MAINTENANCE MODE SELECT menu. Press SELECT key.



- b. Your display will become highlighted for 2 seconds. After 2 seconds, the display will return to normal. You may reselect DISPLAY TEST if required.
- c. If there are some spots on your display that did not light up, determine if this degraded mode is acceptable. If this is not acceptable, notify unit maintenance.



M-9 PDFCS AND PDI FAULT DETECTION - CONTINUED

M-9.7 Key and Switch Test.

NOTE

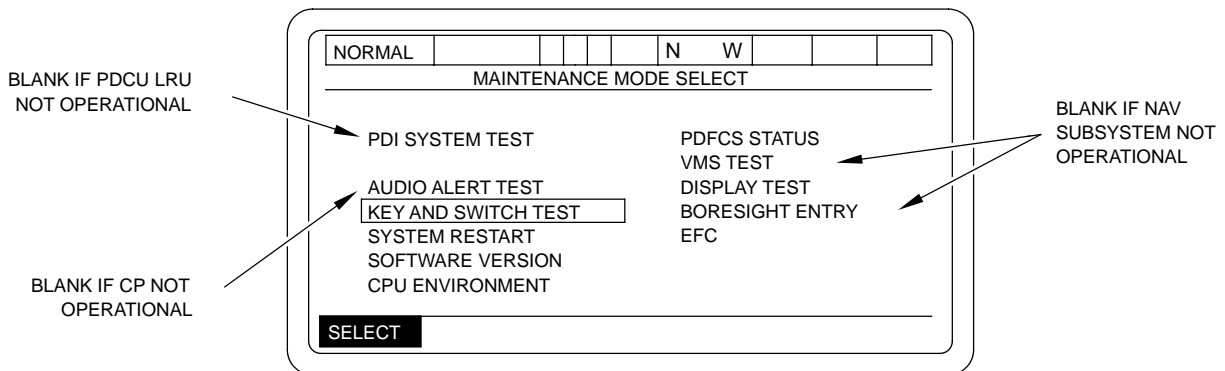
PDFCS must be powered up at least 5 minutes prior to performing this test.

This test checks the response of each key and toggle switch on the display. The key marked T is for the embedded trainer switch and the key marked S is the GUN SERVO switch. Ensure that NOTES are observed when conducting this test.

This test should be performed under the standard vehicle setup condition (para M-9.3).

This test will be used when directed by troubleshooting procedures, or if malfunctions of PDFCS keypad and switches are apparent.

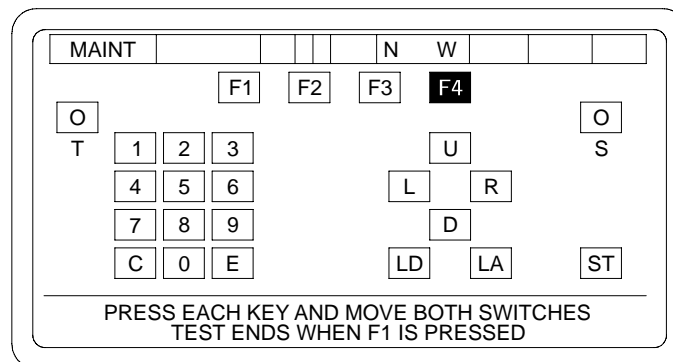
Select KEY AND SWITCH TEST from MAINTENANCE MODE SELECT menu. Press SELECT key.



06pc137ta

NOTE

- Test ends when F1 (soft key) is depressed. Make sure you depress F1 soft key last while performing this test.
 - Do not place PDFCS POWER switch to OFF during this test.
- a. Depress each key in turn (including arrow keys, soft keys, LOAD, LAY, and STOW keys) and place both switches shown to ON/OFF for testing. As each key is depressed, it will be highlighted.
 - b. As each switch/toggle is moved, it will move up or down on your display.
 - c. If fault is indicated with your PDFCS keypad, switches, soft keys, arrow keys, LOAD, LAY, or STOW keys, notify unit maintenance.



hipc4173

M-9 PDFCS AND PDI FAULT DETECTION - CONTINUED

M-9.8 Boresight Angle Entry.

This test is designed for use by unit maintenance personnel only. Operators must not use this selection.

WARNING

This selection will be used by unit maintenance personnel to input correction to NAV SUBSYSTEM boresight. Entry of improper data into boresight angle entry menu can cause gun to be laid incorrectly. This could result in injury or death to personnel down range.

NOTE

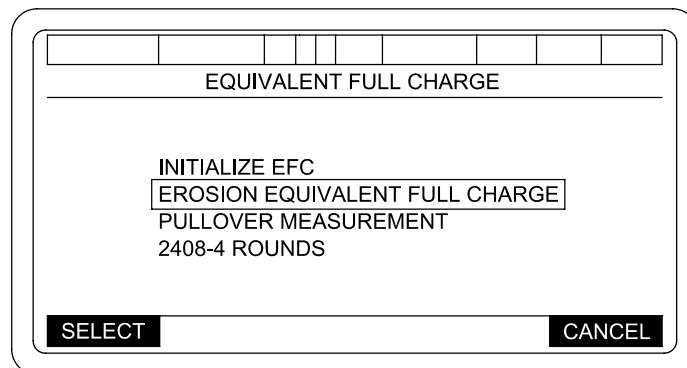
If you accidentally enter this mode, you must exit immediately by pressing the CANCEL key.

M-9.9 Equivalent Full Charge (EFC).

EFC data is maintained by the PDFCS. It consists of a cumulative set which contains the total number of rounds fired by the gun using legal charge and the accumulated EFC based on the total number of rounds fired. The PDFCS saves the data in the non-volatile memory during normal PDFCS power down sequencing.

The calculation of EFC is done automatically for POC/FDC directed fire missions when the operator presses the soft key under the VERIFIED prompt on the VERIFY EXPENDED AMMO menu. However, should the operator not be able to VERIFY that the specified ammunition has been fired, or fire missions have been fired with data supplied by voice radios, or direct fire missions have occurred, then the operator will be required to update the PDFCS Ammunition Inventory and the EFC.

To update the EFC, access the SETUP AND INFORMATION menu, place cursor on MAINTENANCE, and press soft key under SELECT prompt. The MAINTENANCE MODE SELECT menu will appear. Place cursor on EFC and press soft key under SELECT prompt, the EQUIVALENT FULL CHARGE menu will be displayed.



06pc281t

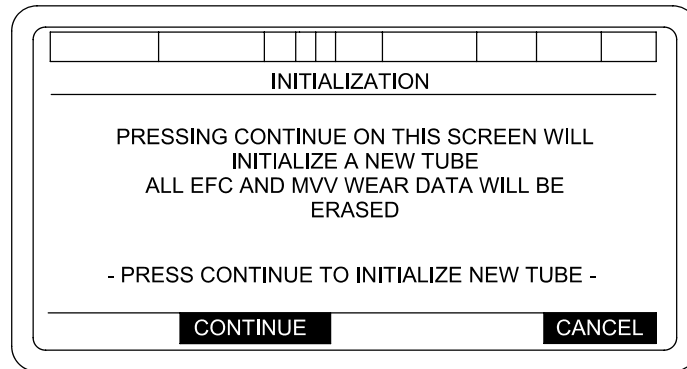
Each of the four functions will not be described separately.

M-9 PDFCS AND PDI FAULT DETECTION - CONTINUED

M-9.9 Equivalent Full Charge (EFC) - Continued

M-9.9.1 Initialize EFC.

This function is used to Initialize EFC data in the event a new cannon tube is placed on the vehicle.



06pc281ta

If you press “CONTINUE”, the PDFCS shall display the operator prompt “ARE YOU SURE?” “YES” “NO”.

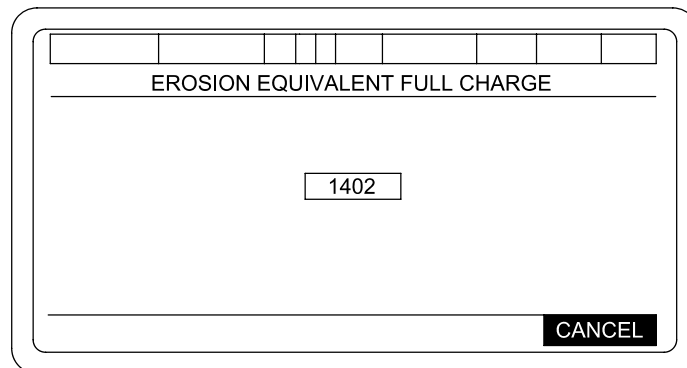
If “YES” is pressed, the following actions occur automatically and the display will return to the EQUIVALENT FULL CHARGE menu:

- Pullover Gauge Measurement is reset to 6.100 (This also causes EFC Erosion to reset to Zero)
- MVV Wear Database is reset to Zero
- 2408-4 Rounds Information is reset to Zero

If “NO” is pressed, the display will return to the EQUIVALENT FULL CHARGE menu.

M-9.9.2 Erosion Equivalent Full Charge.

This function is used to view the Current EFC Erosion Count of the weapon.



06pc282t

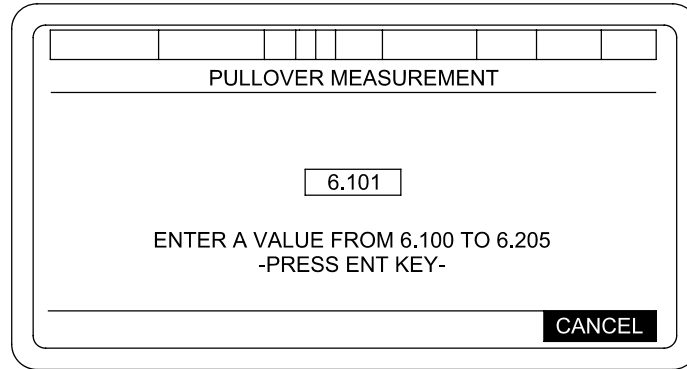
When the “CANCEL” soft key is pressed, the display shall return to the EQUIVALENT FULL CHARGE menu.

M-9 PDFCS AND PDI FAULT DETECTION - CONTINUED

M-9.9 Equivalent Full Charge (EFC) - Continued

M-9.9.3 Pullover Measurement.

This function is used to view the Current Pullover Gauge Measurement or input a new Pullover Gauge Measurement.



06pc282ta

The operator shall only be allowed to enter a Pullover Measurement of 6.100 to 6.205. If the operator enters a value less than 6.100 or greater than 6.205, the PDFCS shall display the operator warning “VALUE TOO BIG” “ACK” or “VALUE TOO SMALL” “ACK”. When the “ACK” soft key is pressed, the display shall return to the previously stored value.

When the “ENT” key is pressed, the AFCS shall display the operator prompt “ARE YOU SURE?” “YES” “NO”.

If “YES” is pressed, then the PDFCS shall convert the Pullover Gauge Measurement into the equivalent EFC Erosion count and update the EFC Erosion count in the MVV Wear Database. This display will then return to the EQUIVALENT FULL CHARGE menu.

If “NO” is pressed, the screen will return to the previously stored values for reentry of data.

M-9.9.4 2408-4 Rounds.

This screen allows four separate and distinct functions:

The first allows update of Total Rounds (which shall not affect EFC Erosion) to match the Manual 2408-4. The second permits entry of rounds fired during a period in which the PDFCS was inoperable. The third allows adjustment of rounds entered during Verification or “Other” missions not actually fired. The fourth function allows initialization of a new PDCU. When coupled with Pullover Gauge, 2408-4 TOT RNDS prior to Pullover Gauge, and “+/- RNDS”, the last know EFC Erosion can be duplicated.

M-9 PDFCS AND PDI FAULT DETECTION - CONTINUED

M-9.9 Equivalent Full Charge (EFC) - Continued

M-9.9.4 2408-4 Rounds - Continued

NOTE

To maintain accuracy and consistency, the PDFCS database must be restored exactly as it was at the time the PDFCS became inoperable.

2408-4 ROUNDS			
TUBE		TOT RNDS	0
PROP/CHARGE		+/- RNDS	TOT RNDS
M3A1	3G	0	0
M3A1	4G	0	0
M3A1	5G	0	0
M4A1	3W	0	0
M4A1	4W	0	0

MORE BELOW

SELECT **CANCEL**

06pc283t

NOTE

Scrolling shall be enabled, with "MORE BELOW" and "MORE ABOVE" appearing as appropriate.

When +/- RNDS is highlighted and the "SELECT" soft key is pressed, the following will be displayed:

2408-4 ROUNDS			
TUBE		TOT RNDS	2
PROP/CHARGE		+/- RNDS	TOT RNDS
M232	3H		2

TYPE +/- RNDS FIRED
BETWEEN -2 AND 99997
+0
-PRESS ENT KEY-

+/- **CANCEL**

06pc283ta

M-9 PDFCS AND PDI FAULT DETECTION - CONTINUED

M-9.9 Equivalent Full Charge (EFC) - Continued

M-9.9.4 2408-4 Rounds - Continued

When TOT RNDS is highlighted and the “SELECT” soft key is pressed the following will be displayed.

2408-4 ROUNDS		
PROP/CHARGE	+/- RNDS	TOT RNDS
M3A1	3G	0

TYPE TOTAL RNDS FIRED
 BETWEEN 0 AND 99999

 -PRESS ENT KEY-

CANCEL

06pc284t

Input new value and press “ENTER” to accept value. When “ENTER” has been pressed the display will return to the 2408-4 ROUNDS screen. An “UPDATE” soft key will display in the FKY-2 position. When “UPDATE” is pressed the following actions occur:

- The TOT RNDS column is updated for the selected PROP/CHG
- TUBE TOT RNDS is updated
- If +/- RNDS input, EFC Erosion is updated in the MVV Wear Database

M-9 PDFCS AND PDI FAULT DETECTION - CONTINUED**M-9.10 PDFCS and PDCU Abbreviations.**

ABBREVIATION	NAME
ABCS	ARMY BATTLE COMMAND SYSTEM
AOF or AF	AZIMUTH OF FIRE
ATCCS	ARMY TACTICAL COMMAND AND CONTROL SYSTEM
AUXA	EXTERNAL BATTERY-A
AUXB	EXTERNAL BATTERY-B
AZ	AZIMUTH
AZ/EL	AZIMUTH AND ELEVATION TACHOMETERS
AZTACH	TACHOMETER
BATT	BATTERY
BB2	BRUSH BLOCK #2
BB6	BRUSH BLOCK #6
BB7	BRUSH BLOCK #7
BC	BALLISTIC COMPUTATION
BCS	BATTERY COMPUTER SYSTEM
BDE	BRIGADE
BFA	BATTLEFIELD FUNCTIONAL AREAS
BIT	BUILT IN TEST
BN	BATTALION
BPSL	BYPASS SOLENOID
BPV	BYPASS VALVE
C3	COMMAND, CONTROL, AND COMMUNICATION
CBLS	CABLES
CDP	CONDITION DIPOLE
CHKFIRE	CHECK FIRE
CFN	COOLING FAN
CLCS	CLUTCH SOLENOID
CLV	CLUTCH VALVE
COMMO	COMMUNICATION
COS	CHIEF OF SECTION
COSCH	CHIEF OF SECTION CONTROL HANDLE
COSCH VLF	CHIEF OF SECTION CONTROL HANDLE VELOCITY FUSE
COTS	COMMERCIAL OFF THE SHELF
CP	COMMUNICATIONS PROCESSING
CPCI	COMPUTER PROGRAM CONFIGURATION ITEM
CPU	COMPUTER PROCESSING UNIT
CRSH	CURRENT SHUNT
CTRL	CONTROL
CTSW	COOLING TEMPERATURE SWITCH
DRU	DYNAMIC REFERENCE UNIT

M-9 PDFCS AND PDI FAULT DETECTION - CONTINUED**M-9.10 PDFCS and PDCU Abbreviations - Continued**

ABBREVIATION	NAME
EDS	ENHANCED DISPLAY SYSTEM
EL	ELEVATION
ELHP	ELEVATION HAND PUMP
ELSL	ELEVATION SELECT SOLENOID
ELSV	ELEVATION SERVO VALVE
ELTACH	ELEVATION TACHOMETER
ELTRUN	ELEVATION TRUNNION
ELV	ELEVATION SELECT VALVE
EQ	EQUILIBRATION
EQA	EQUILIBRATION ASSEMBLY
EQACC	EQUILIBRATION ACCUMULATOR
EQHP	EQUILIBRATOR HANDPUMP
EQMANIFOLD	EQUILIBRATION MANIFOLD
EQ CHARGE VALVE	EQUILIBRATOR CHARGE VALVE
FC	FIRE CONTROL
FIL	FILTER
FILA	FILTER ASSEMBLY
FIREMSN	FIRE MISSION
FLOM	FLOWMETER
FLU	FLUID
FLUSN	FLUID LEVEL SENSOR
GB	GIGABYTES
GCH	GUNNER'S CONTROL HANDLE
GNR	GUNNER
GPS	GLOBAL POSITIONING SYSTEM
HCB	HYDRAULIC CONTROL BOX
HPUMP	HANDPUMP
HYD	HYDRAULIC
HYM	HYDRAULIC PUMP ELECTRIC MOTOR
HYP	HYDRAULIC PUMP
HYPR	HYDRAULIC POWER RELAY
KU	KEYBOARD UNIT
LAN	LOCAL AREA NETWORK
MB	MEGABYTES
MO	MOVE ORDER
MSL	MODE SELECT SOLENOID
MSV	MODE SELECT VALVE
MVS	MUZZLE VELOCITY SENSOR

M-9 PDFCS AND PDI FAULT DETECTION - CONTINUED**M-9.10 PDFCS and PDCU Abbreviations - Continued**

ABBREVIATION	NAME
NA	NAV ASSIST
NAV	NAVIGATION
NRZ	NON-RETURN TO ZERO
OLSN	OVERLOAD SENSOR
PCU/PCU-2	POWER CONDITIONER UNIT-2
PDCU	PROGNOSTIC DIAGNOSTIC INTERFACE UNIT
PDFCS	PALADIN DIGITAL FIRE CONTROL SYSTEM
PDI	PROGNOSTIC/DIAGNOSTIC INTERFACE
PDU	PALADIN DISPLAY UNIT
PLGR	PRECISION LIGHTWEIGHT GPS RECEIVER
PRESS	PRESSURE
PSIAD	PALADIN SERIAL INTERFACE ADAPTER DEVICE
PWR	POWER
PXDCR	PRESSURE TRANSDUCER
RAM	RANDOM ACCESS MEMORY
REFIL	RETURN FILTER
RHDDC	REMOVABLE HARD DISK DRIVE CARTRIDGE
RR	RADIO RACK
SA	SITUATIONAL AWARENESS
SFIL	SUPPLY FILTER
SH	SHUNT
SINCGARS	SINGLE CHANNEL GROUND & AIRBORNE RADIO SUBSYSTEM
SL	SOLENOID
SN	SENSOR
SR	SLIP RING
SV	SERVO
SW	SWITCH
SYS	SYSTEM
TEMP	TEMPERATURE
TOC	TACTICAL OPERATION CENTER
TRAV	TRAVERSE
TRAV GEAR	TRAVERSING GEAR
TRDM	TRAVERSE DRIVE MECHANISM
TRLSL	TRAVERSE LIMIT SOLENOID
TRLSW	TRAVERSE LIMIT SWITCH
TRLV	TRAVERSE LIMIT VALVE
TRSL	TRAVERSE SELECT SOLENOID
TRSV	TRAVERSE SERVO VALVE
TRV	TRAVERSE SELECT VALVE
TSN	TEMPERATURE SENSOR

M-9 PDFCS AND PDI FAULT DETECTION - CONTINUED

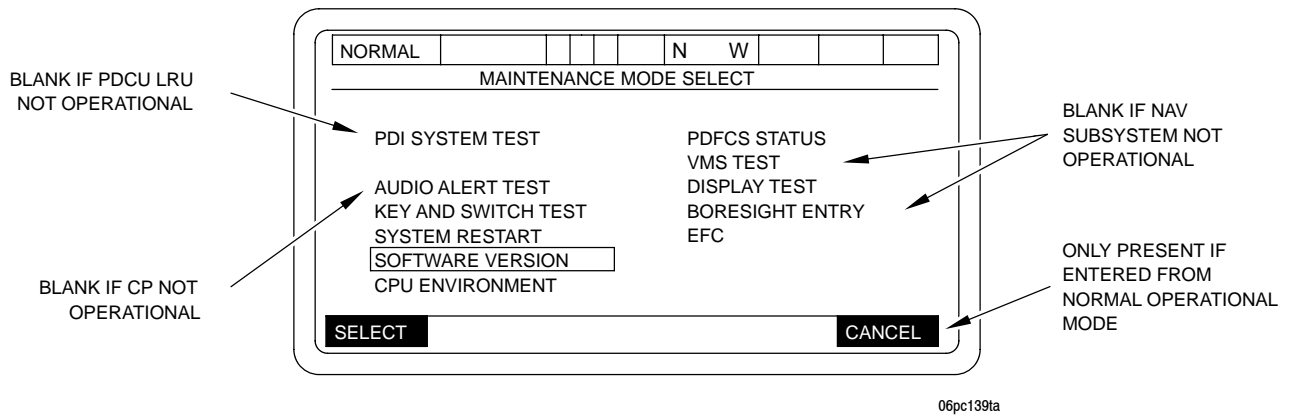
M-9.10 PDFCS and PDCU Abbreviations - Continued

ABBREVIATION	NAME
TTCBL	TUBE TEMPERATURE SENSOR GFE CABLE
TTTSN	TUBE TEMPERATURE SENSOR
TXDCR	TEMPERATURE TRANSDUCER
VMS	VEHICLE MOTION SENSOR
VMSC	VEHICLE MOTION SENSOR MODEM-CAB
VMSH	VEHICLE MOTION SENSOR MODEM-HULL
VLF	VELOCITY FUSES
WC	WEAPONS CONTROLLER
WPN	WEAPON
WTSL	WARMUP TEMPERATURE SOLENOID
WTSW	WARMUP TEMPERATURE SWITCH
WTV	WARMUP TEMPERATURE VALVE

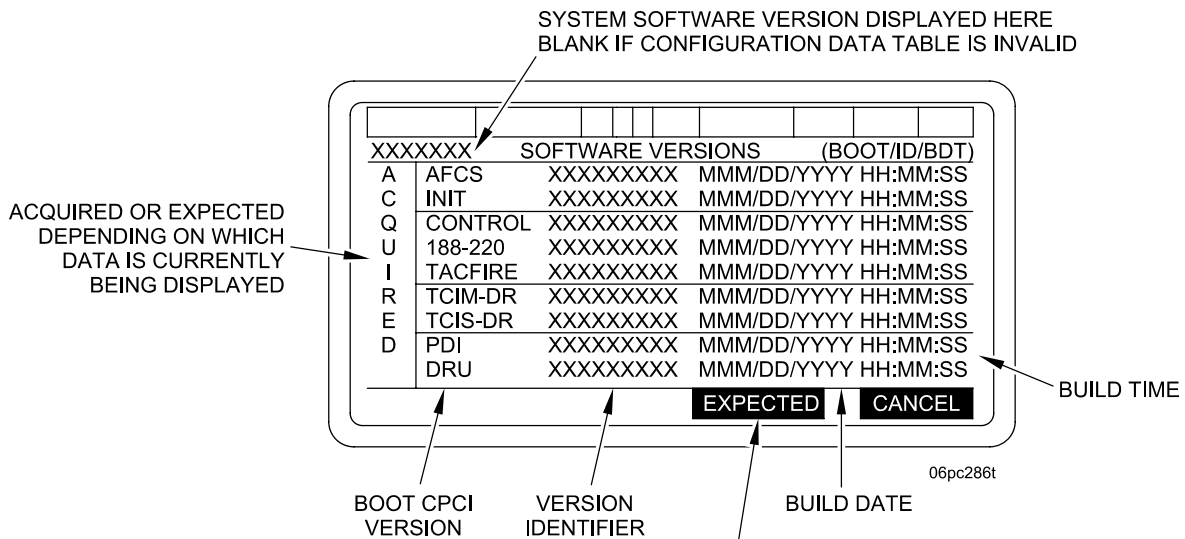
M-9 PDFCS AND PDI FAULT DETECTION - CONTINUED

M-9.11 Software Version/Configuration Display.

To view detailed software configuration information for each Computer Program Configuration Item (CPCI) move cursor to "SOFTWARE VERSION" on the MAINTENANCE MODE SELECT menu.



Press soft key label "SELECT" and the SOFTWARE VERSION/CONFIGURATION display as shown below will appear.



NOT PRESENT IF VERSION CONFIGURATION DEFINITION TABLE IS NOT VALID. EXPECTED OR ACQUIRED DEPENDING ON WHICH DATA IS CURRENTLY BEING DISPLAYED.

NOTE: A * IS PLACED TO THE LEFT OF ANY UNIT THAT HAS PROVIDED DATA THAT DOES NOT MATCH THE SOFTWARE CONFIGURATION TABLE ENTRY FOR THAT UNIT.

NOTE

Information displayed from the DRUH can be interpreted as version configuration data.

M-9 PDFCS AND PDI FAULT DETECTION - CONTINUED

M-9.11 Software Version/Configuration Display - Continued

NOTE

- When a CPCI other than the DCU is reported with an indirect configuration, then the system will run in a degraded mode and will declare the CPCI as unavailable.
- Initially, the ACQUIRED information of the display will give the boot loader, system software version and build data for each computer program configuration item that is acceptable to the system software configuration.
- If the CPCI is not acceptable, there will be an asterisk (*) to the left of the CPCI. If the asterisk is present, this will cause the system to operate in the DEGRADED mode unless the asterisk appears next to DCU, then the system will only operate in the Maintenance mode.
- To check which version of software is acceptable, press softkey under EXPECTED.
- If a CPCI is blank, the version of software loaded is acceptable with any system configuration.
- If uploading of software is required, notify Unit Maintenance.

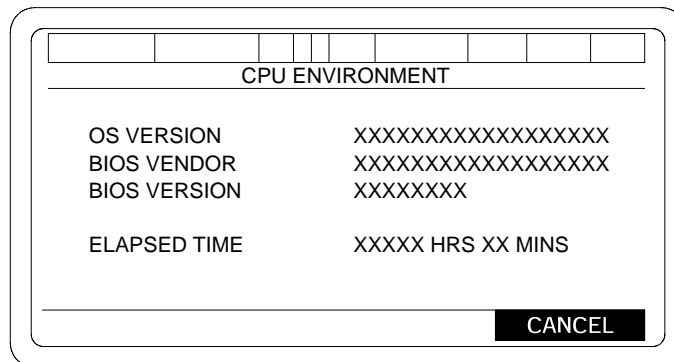
M-9.12 CPU Environment Display.

This display allows the operator to view system-related parameters as follows:

Inputs:

1. Operating System Version (O/S)
2. BIOS Information (Vendor & Version)
3. Elapsed Time Meter (in hours)

The tactical software receives the data listed above from the PDCU and presents this information to the operator on the PDU. This information is used by maintenance personnel.



06pc428m

M-10 SYMPTOM INDEX.

NOTE

- Before you use this troubleshooting table, be sure you have performed all applicable operating checks in Chapter 2.
- For corrective actions of malfunctions not listed in this table, notify unit maintenance.
- Wherever the word lubricate appears, see Appendix I.

The following symptom index is to assist you in locating the correct troubleshooting procedure quickly.

	Troubleshooting Procedure
PDFCS	Page
PDFCS-Software Lockup	M-194
Cab does not traverse freely under PDFCS control	M-194
Cab creeps under PDFCS control	M-195
Gun tube does not move to LOAD position when LOAD is selected under PDFCS control	M-196
Gun tube does not move to STOW position when STOW is selected under PDFCS control	M-197
Gun tube does not move to LAY position when LAY is selected under PDFCS control	M-198
PDU does not power up	M-199
Training mode cannot be selected	M-199
PDFCS is not able to receive a mission	M-199
No audible alert for COS or crew (PDU power is ON)	M-200
PDU messages are garbled/hard to read	M-200
Keypad soft keys/arrow keys/keypad switches, LOAD, LAY, or STOW keys do not respond properly	M-200
NAV subsystem fault (degraded mode) is indicated	M-200
PDU subsystem fault (degraded mode) is indicated	M-201
WPN subsystem fault (degraded mode) is indicated	M-201
PDCU subsystem fault (degraded mode) is indicated	M-201
PCU-2 subsystem fault (degraded mode) is indicated	M-201
PMVS subsystem fault (degraded mode) is indicated	M-202
PDFCS position drifts/PDCU "OP FAIL" is indicated. Subsystem (degraded mode) is indicated	M-202

Table 3-1. TROUBLESHOOTING

MALFUNCTION**TEST OR INSPECTION****CORRECTIVE ACTION****PDFCS****WARNING**

Before troubleshooting PDFCS gun positioning faults, make sure immediate area around and in the howitzer is clear of nonessential personnel and that no other equipment is within the 360 degree radius of the cab. Before moving gun servo switch to the ON position, announce loudly to everyone in immediate area, "PDFCS POWER ON." Serious injury or death, and/or equipment damage could result.

1. PDFCS - SOFTWARE LOCKUP

Step 1. Place PDU POWER switch OFF and wait at least 5 seconds.

Step 2. Place PDU POWER switch ON and restart system. If lockup persists, notify unit maintenance.

2. CAB DOES NOT TRAVERSE FREELY UNDER PDFCS CONTROL.

NOTE

Verify following: main drive gears and gun tube are unobstructed and main hydraulic pressure is at 1925 psi \pm 50 psi.

Step 1. Verify that GUN SERVO light illuminates when LAY button is pressed.

a. If not ON, place gun switch ON.

b. If switch is ON, go to step 2.

Step 2. Check to see if you are in NORMAL OPERATIONS mode.

a. Verify that TRAVERSE mode switch is in the POWER position. Check PDU for mode display. Status line will indicate mode. If not, enter proper mode.

b. If in NORMAL OPERATIONS mode, check display fields.

(1) Verify that LOAD, LAY, or STOW fields are displayed on PDU when GUN SERVO SWITCH is on.

(2) LOAD, LAY, or STOW fields (graphics) are highlighted when displayed.
Gun is already in proper position.

(3) LOAD, LAY, or STOW fields (graphics) are displayed in normal form.

Reselect proper functional key. If cab does not traverse freely, notify unit maintenance. Complete mission in DEGRADED mode.

(4) LOAD, LAY, or STOW fields are not displayed.

If fields are not displayed, go to step 3.

Table 3-1. TROUBLESHOOTING - Continued

MALFUNCTION	TEST OR INSPECTION	CORRECTIVE ACTION
PDFCS - Continued		
Step 3.	Check PDU for fault indication.	<ul style="list-style-type: none"> a. GUN SERVO indicator not lit during LOAD/LAY/STOW operation. Run PDI system test (para M-9.3) and notify unit maintenance. Complete mission in DEGRADED mode. b. FAULT indicator lit. Check status line for faulty hardware, run PDI system test (para M-9.3) and notify unit maintenance. Complete mission in DEGRADED mode.
3. CAB CREEPS UNDER PDFCS CONTROL.	Step 1. Verify that GUN SERVO ON/OFF switch is ON.	<ul style="list-style-type: none"> a. If not ON, place switch ON. b. If switch is ON, go to step 2.
	Step 2. Check to see if you are in NORMAL OPERATIONS mode.	<ul style="list-style-type: none"> a. Check PDU for mode display. If not in proper mode, enter proper mode. b. If in NORMAL OPERATIONS mode, check display fields. <ul style="list-style-type: none"> (1) Verify that LOAD, LAY, or STOW fields are displayed on PDU. (2) LOAD, LAY, or STOW fields are highlighted, when displayed. Gun is already in proper position, cab should not creep. If cab still creeps, notify unit maintenance. Complete mission in DEGRADED mode. (3) LOAD, LAY, or STOW fields are displayed properly. Reselect proper functional key. If cab still creeps, notify unit maintenance. (4) LOAD, LAY, or STOW fields are not displayed. If fields are not displayed, go to step 3.
	Step 3. Check PDU for fault indication.	<ul style="list-style-type: none"> a. GUN SERVO indicator not lit during LOAD/LAY/STOW operation. Run PDI system test (para M-9.3) and notify unit maintenance. Complete mission in DEGRADED mode. b. FAULT indicator lit. Check status line on PDU for faulty hardware, run PDI system test (para M-9.3), and notify unit maintenance. Complete mission in DEGRADED mode.

Table 3-1. TROUBLESHOOTING - Continued

MALFUNCTION**TEST OR INSPECTION****CORRECTIVE ACTION****PDFCS - Continued**

4. GUN TUBE DOES NOT MOVE TO LOAD POSITION WHEN LOAD IS SELECTED UNDER PDFCS CONTROL.

Step 1. Verify that GUN SERVO ON/OFF switch is ON.

- a. If not ON, place switch ON.
- b. If switch is ON, go to step 2.

Step 2. Check to see if you are in NORMAL OPERATIONS mode.

- a. Verify that TRAVERSE mode switch is in the POWER position. Check PDU for mode display. If not in proper mode, enter proper mode.
- b. If in NORMAL OPERATIONS mode, check display fields.
 - (1) Verify that LOAD, LAY or STOW fields are displayed on PDU.
 - (2) LOAD, LAY, or STOW fields are highlighted, when displayed.
Gun is already in proper position.
 - (3) LOAD, LAY, or STOW fields are displayed properly.
Reselect proper functional key. If gun tube still does not move to LOAD position, notify unit maintenance. Complete mission in DEGRADED mode.
 - (4) LOAD, LAY, or STOW fields are not displayed.
If fields are not displayed, go to step 3.

Step 3. Check PDU for fault indication.

- a. GUN SERVO indicator not lit during LOAD/LAY/STOW operation.
Run PDI system test (para M-9.3) and notify unit maintenance. Complete mission in DEGRADED mode.
- b. FAULT indicator lit.
Check status line on PDU for faulty hardware, run PDI system test (para M-9.3), and notify unit maintenance. Complete mission in DEGRADED mode.

Table 3-1. TROUBLESHOOTING - Continued

MALFUNCTION	TEST OR INSPECTION	CORRECTIVE ACTION
PDFCS - Continued		
5. GUN TUBE DOES NOT MOVE TO STOW POSITION WHEN STOW IS SELECTED UNDER PDFCS CONTROL.	Step 1. Verify that GUN SERVO ON/OFF switch is ON.	<ul style="list-style-type: none"> a. If not ON, place switch ON. b. If switch is ON, go to step 2.
	Step 2. Check to see if you are in NORMAL OPERATIONS mode.	<ul style="list-style-type: none"> a. Verify that TRAVERSE mode switch is in the POWER position. Check PDU for mode display. If not in proper mode, enter proper mode. b. If in NORMAL OPERATIONS mode, check display fields. <ul style="list-style-type: none"> (1) Verify that LOAD, LAY, or STOW fields are displayed on PDU. (2) LOAD, LAY, or STOW fields are highlighted when displayed. Gun tube is already in proper position. (3) LOAD, LAY, or STOW fields are displayed properly. Reselect proper functional key. If gun tube does not traverse/elevate freely, notify unit maintenance. Complete mission in DEGRADED mode. (4) LOAD, LAY, or STOW fields are not displayed. If fields are not displayed, go to step 3.
	Step 3. Check PDU for fault indication.	<ul style="list-style-type: none"> a. GUN TUBE SERVO indicator not lit during LOAD/LAY/STOW operation. Run PDI system test (para M-9.3) and notify unit maintenance. Complete mission in DEGRADED mode. b. FAULT indicator lit. Check status line on PDU for faulty hardware, run PDI system test (para M-9.3), and notify unit maintenance. Complete mission in DEGRADED mode.

Table 3-1. TROUBLESHOOTING - Continued

MALFUNCTION**TEST OR INSPECTION****CORRECTIVE ACTION****PDFCS - Continued**

6. GUN TUBE DOES NOT MOVE TO LAY POSITION WHEN LAY IS SELECTED UNDER PDFCS CONTROL.

Step 1. Verify that GUN SERVO ON/OFF switch is ON.

- a. If not ON, place switch ON.
- b. If switch is ON, verify TRAVERSE LOCK is in UNLOCKED position. Go to step 2.

Step 2. Check to see if you are in NORMAL OPERATIONS mode.

- a. Verify that TRAVERSE mode switch is in the POWER position. Check PDU for mode display. If not in proper mode, enter proper mode.

- b. If in NORMAL OPERATIONS mode, check display fields.

- (1) Verify that LOAD, LAY, or STOW fields are displayed on PDU.

- (2) LOAD, LAY, or STOW fields are highlighted, when displayed.

Gun tube is already in proper position.

- (3) LOAD, LAY, or STOW fields are displayed properly.

Reselect proper functional key. If gun tube still does not move to LAY position, notify unit maintenance. Complete mission in DEGRADED mode.

- (4) LOAD, LAY, or STOW fields are not displayed.

If fields are not displayed, go to step 3.

Step 3. Check PDU for fault indication.

- a. GUN TUBE SERVO indicator not lit during LOAD/LAY/STOW operation.

Run PDI system test (para M-9.3) and notify unit maintenance. Complete mission in DEGRADED mode.

- b. FAULT indicator lit.

Check status line on PDU for faulty hardware and notify unit maintenance. Complete mission in DEGRADED mode.

Table 3-1. TROUBLESHOOTING - Continued

MALFUNCTION	TEST OR INSPECTION	CORRECTIVE ACTION
PDFCS - Continued		
7. PDU DOES NOT POWER UP.	Step 1. Verify that MASTER and HYDRAULIC POWER switches are ON.	<ul style="list-style-type: none"> a. If not ON, place switch(es) ON. b. If switch(es) are ON, go to step 2.
	Step 2. Verify that PCU-2 circuit breakers are ON.	<ul style="list-style-type: none"> a. If not ON, place appropriate circuit breaker(s) ON. b. If all circuit breakers are ON, notify unit maintenance.
8. TRAINING MODE CANNOT BE SELECTED.	Step 1. Verify that you are in the proper mode for TRAINING selection.	<ul style="list-style-type: none"> a. If not, enter TRAINING mode. b. If in TRAINING mode, place the TRAINING ON/OFF switch in ON position.
	Step 2. TRAINING mode still cannot be entered.	Notify unit maintenance.
9. PDFCS IS NOT ABLE TO RECEIVE A MISSION.	Step 1. Verify that during POWER UP STATUS, PDFCS is okay.	<ul style="list-style-type: none"> a. PDFCS subsystems do not check out as OK. If not OK, notify unit maintenance. If degraded, go to step 2. b. PDFCS subsystems check out OK. Go to step 2.
	Step 2. Verify that you are in proper mode (NORMAL OPERATIONS).	<ul style="list-style-type: none"> a. If not in proper mode, enter NORMAL OPERATIONS mode and go through NETWORK display until you get to SETUP AND INFORMATION display. Now go to step 3. b. If already in proper mode, go to step 3.
	Step 3. Verify that data entry has been provided and is correct for all items marked with an * on SETUP AND INFORMATION display.	<ul style="list-style-type: none"> a. If data has not been entered, enter data now to initialize system. Now system is able to receive a mission. b. If data has been entered for the * items and you still are unable to receive a mission, notify unit maintenance.

Table 3-1. TROUBLESHOOTING - Continued

MALFUNCTION**TEST OR INSPECTION****CORRECTIVE ACTION****PDFCS - Continued**

10. NO AUDIBLE ALERT FOR COS OR CREW (PDU POWER IS ON).
- Step 1. Verify that wire/cable connections are tight.
If wire/cable connections are tight, go to step 2.
- Step 2. Go to para M-9.5 and perform Audio Alert Test.
- If intercom is not adjusted properly, adjust it now.
 - Rerun Audio Alert Test and go to step 3.
- Step 3. If there is still no audible signal, notify unit maintenance that intercom/PDFCS is faulty.
11. PDU MESSAGES ARE GARBLED/YHARD TO READ.
- Step 1. Verify that wire/cable connections are tight.
If wire/cable connections are tight, go to step 2.
- Step 2. Go to para M-9.6 and perform Display Test.
- If test indicates that some of the pixels on PDU are burned out, notify unit maintenance that PDU is faulty.
 - If test does not indicate a problem with pixels, have unit maintenance check PDFCS.
12. KEYPAD SOFT KEYS/ARROW KEY/KEYPAD SWITCHES, LOAD, LAY, OR STOW KEYS DO NOT RESPOND PROPERLY.
- Step 1. Verify PDFCS window is active by touching or left clicking on the window area or the "PDFCS" button on the task bar. If this doesn't correct the problem, proceed to step 2.
- Step 2. Verify that cable/harness connections are tight.
If wire/cable connections are tight, go to step 3.
- Step 3. Go to para M-9.7 and perform Key and Switch Test.
- If test indicates a fault, notify unit maintenance that PDU is faulty.
 - If no fault is indicated, notify unit maintenance to check PDFCS.
13. NAV SUBSYSTEM FAULT (DEGRADED MODE) IS INDICATED.
- Step 1. Verify that wire/cable connections are tight.
If wire/cable connections are tight, go to step 2.
- Step 2. Traverse cab left and right 90 degrees from travel lock position and verify fault has been eliminated. If not, clean slip ring segment boards (para 3-8.17) and try the VMS test again before notifying unit maintenance.
- Step 3. Go to para M-9.2 and perform BIT Status Test.
- Determine which subsystem is degraded. If VMS fault is indicated, go to para M-9.4 and perform VMS test. Notify unit maintenance of particular fault.
 - Check PDCU reconfiguration advice (Appendix G.3). Determine if DEGRADED mode is acceptable. (Certain degraded subsystems will not interfere with PDFCS operation or mission capability, i.e., VMS is out.) If acceptable, continue mission.

Table 3-1. TROUBLESHOOTING - Continued

MALFUNCTION**TEST OR INSPECTION****CORRECTIVE ACTION****PDFCS - Continued**

14. PDU SUBSYSTEM FAULT (DEGRADED MODE) IS INDICATED.

Step 1. Verify that wire/cable connections are tight.

If wire/cable connections are tight, go to step 2.

Step 2. Go to para M-9.2 and perform BIT Status Test.

a. Determine which subsystem is degraded. Notify unit maintenance of particular fault.

b. Determine if DEGRADED mode is acceptable. (Certain degraded subsystems will not interfere with PDFCS operation or mission capability; i.e., Embedded Trainer is out.) If acceptable, continue mission.

15. WPN SUBSYSTEM FAULT (DEGRADED MODE) IS INDICATED.

Step 1. Verify that wire/cable connections are tight.

If wire/cable connections are tight, go to step 2.

Step 2. Go to para M-9.2 and perform BIT Status Test.

a. Determine which subsystem is degraded. Notify unit maintenance of particular fault.

b. Check PDCU reconfiguration advice (Appendix G.3). Determine if DEGRADED mode is acceptable. (Certain degraded subsystems will not interfere with PDFCS operation or mission capability; i.e., Tube Temp is out.) If acceptable, continue mission.

16. PDCU SUBSYSTEM FAULT (DEGRADED MODE) IS INDICATED.

Step 1. Verify that wire/cable connections are tight.

If wire/cable connections are tight, go to step 2.

Step 2. Go to para M-9.2 and perform BIT Status Test.

a. Determine which subsystem is degraded. Notify unit maintenance of particular fault.

b. Determine if DEGRADED mode is acceptable. (Certain degraded subsystems will not interfere with PDFCS operation or mission; i.e., PDCU is out.) If acceptable, continue mission.

17. PCU-2 SUBSYSTEM FAULT (DEGRADED MODE) IS INDICATED.

Step 1. Verify that wire/cable connections are tight.

If wire/cable connections are tight, go to step 2.

Step 2. Go to para M-9.2 and perform BIT Status Test.

a. Determine which subsystem is degraded. Notify unit maintenance of particular fault.

b. Determine if DEGRADED mode is acceptable. (Certain degraded subsystems will not interfere with PDFCS operation or mission capability; i.e., PCU-2 BIT failed.) If acceptable, continue mission.

Table 3-1. TROUBLESHOOTING - Continued

MALFUNCTION	TEST OR INSPECTION	CORRECTIVE ACTION
-------------	--------------------	-------------------

PDFCS - Continued

18. PMVS SUBSYSTEM FAULT (DEGRADED MODE) IS INDICATED.

Step 1. Verify that cable/harness connections are tight.
If wire/cable connections are tight, go to step 2.

Step 2. Go to para M-9.2 and perform BIT status test.

- a. Determine which subsystem is degraded. Notify unit maintenance of particular fault.
- b. Determine if DEGRADED mode is acceptable. (Certain degraded subsystems will not interfere with PDFCS operation or mission capability; i.e. PCU-2 BIT failed.) If acceptable, continue mission.

19. PDFCS POSITION DRIFTS/PDCU "OP FAIL" IS INDICATED. SUBSYSTEM (DEGRADED MODE) IS INDICATED.

NOTE

- Infrequently, the PDFCS position has been observed to drift while the howitzer is stationary, or the "NAV OUT - DRU OP FAIL" alert message is displayed, for no apparent reason. These problems have been traced to errors in communications between the PDFCS and PDCU. With the GPS receiver (PLGR) installed and the PDFCS operated in a GPS aided mode, the problem will be bound to an acceptable level. If the PLGR is off or not receiving acceptable signals from four satellites, the drift may occur to an unacceptable level.
- Unless there is an operational constraint on using GPS, it is recommended that the PLGR be installed and the PDFCS be operated in the GPS aided mode.

Follow the steps below if position is drifting when the howitzer is stationary and any of the following symptoms are observed: (Note that these conditions are normal when the howitzer is travelling.)

- a. "ZPT" is displayed in field 6 in the top line of the display. (Note that it takes about 30 seconds after the vehicle stops for a normal "ZPT" indication to clear.)
- b. PDFCS position changes more than 10 meters.
- c. The "ZUPT REQUIRED" alert message is displayed.
- d. The "NAV POS UPDATE REQUESTED" alert message is displayed.
- e. The "PRESS ACK WHEN TUBE STOWED" alert message is displayed when the howitzer hasn't traveled.
- f. The "POS UPDATE INTERRUPTED" alert message is displayed after a NAV UPDATE is attempted.
- g. The "POS UPDATE RJTD HOWITZER MOVG" alert message is displayed after a NAV UPDATE is attempted.

Table 3-1. TROUBLESHOOTING - Continued

MALFUNCTION**TEST OR INSPECTION****CORRECTIVE ACTION**

PDFCS - Continued

(Note that the "POSITION UPDATE REQUIRED" alert message can be triggered by several conditions. Unless accompanied by one of the above indications, it is not a symptom of position drift.)

If any of the position drift symptoms are observed or the "NAV OUT - DRU OP FAIL" alert message is displayed, perform the following procedure:

- Step 1. Power down the PDFCS.
- Step 2. Power the PDFCS back up.
- Step 3. Reinitialize the PDFCS

NOTE

Do not replace the PDCU for position drift or PDCU OP FAIL problems. If cycling power, as discussed above, doesn't relieve the symptoms, notify unit maintenance.

M-11 PDFCS CONFIDENCE TESTS.

M-11.1 Verification of Position and Direction Using Survey Data.

NOTE

To perform the direction tests, it is important that the spheroid and grid zone stored in the PDFCS map mod are correct for the area of operation. If the PDFCS spheroid and grid zone are incorrect, get a correct map mod from FDC (select GET INITIALIZATION on the FDC DATA XFER menu) or enter the correct spheroid and grid zone by selecting ENTER SPHEROID/DATUM on the SETUP AND INFORMATION menu.

During field training or combat, the position and direction data shown by the PDFCS can be checked by using a surveyed location. The built-in-test (BIT) does not fully assure that the PDFCS accuracy is within tolerance.

To perform the position test, two carefully surveyed points about 3-4 km apart are required, with an accuracy of 1:1000 or better.

To perform the direction test, there are three options:

- Surveyed orienting station and end of orienting line (OS/EOL). The OS should be at least 100 meters from the howitzer survey point.
- A surveyed azimuth to a distant aiming point (DAP) that is at least 1500 meters away from the survey point. A closer point may be used, but the test will not be as accurate.
- When no survey azimuth is available, a deflection test using the PANTEL is possible.

Perform the tests as follows.

M-11.1.1 Verification of Position Using Survey Points.

- a. Initialize the PDFCS with the howitzer left front sprocket within one meter of the first survey point. Ensure easting, northing, and altitude match the data posted on the survey marker.

NOTE

If a surveyed azimuth to a DAP will be used for a direction test at the second survey point, then the FDC move order should include the azimuth to DAP as the center of sector. If a manual move order is used, first enter the azimuth to DAP as the center of sector on the DEFINE SECTOR OF FIRE menu (select SECTOR OF FIRE from SETUP AND INFORMATION menu). Then by positioning howitzer at second survey point with vehicle heading aligned with center of sector, you will ensure the tube is pointed toward the DAP.

- b. After the nav subsystem is fully aligned, receive a move order from FDC (destination INIT POINT) to the second survey point. If FDC is not available, enter a manual move order to the second survey point.
- c. Move to the second survey point without stopping.
- d. Upon arrival at the survey point, position howitzer with the left front sprocket within one meter of survey point. Wait 30 seconds before proceeding to next step.

M-11 PDFCS CONFIDENCE TESTS - CONTINUED

M-11.1 Verification of Position and Direction Using Survey Data - Continued

M-11.1.1 Verification of Position Using Survey Points - Continued

- e. With the STEER TO screen displayed, read and record PDFCS position data under POSN (easting, northing, and altitude) and the range to destination (RNG) in the upper right corner of the screen. Subtract the POSN altitude from the DESTN altitude.
- f. Compare the data obtained in step e with the following tolerances.

RNG	26 meters or less
Altitude Difference	± 26 meters
- g. If the PDFCS data is within tolerance, but the POSN easting, northing, and altitude do not match the survey marker data exactly, then press ARRIVED key and do a NAV POSN UPDATE, using the NAV POSN UPDATE screen from the SETUP AND INFORMATION menu.
- h. If PDFCS data is within tolerance, position test is complete. Skip the steps below and proceed to the chosen method for testing direction.
- i. If the PDFCS data is out of tolerance, verify the DESTN easting, northing, and altitude matches the data on the survey marker. If they do not match, record the survey marker data for later use.
- j. Press ARRIVED key. Select NAV POSN UPDATE from the SETUP AND INFORMATION menu to enter the survey marker data. Do a NAV POSN UPDATE by pressing the USE ALL key.
- k. After the nav subsystem is fully aligned, receive a MOVE ORDER from FDC (or do a manual move order) to the first survey point.
- l. Move to the first survey point without stopping.
- m. Repeat steps d through f at the first survey point. Record the data and note whether the PDFCS is in or out of tolerance.
- n. Press ARRIVED key. Select NAV update from the SETUP AND INFORMATION menu to enter the survey marker data. Do a NAV position update by pressing the USE ALL key.
- o. After the nav subsystem is fully aligned, receive a move order from FDC (or do a manual move order) to the second survey point.
- p. Move to the second survey point without stopping.
- q. Repeat steps d through f at the second survey point. Record the data and note whether the PDFCS is in or out of tolerance.
- r. If the PDFCS was out of tolerance two out of three trials, notify unit maintenance.
- s. If the PDFCS was in tolerance two out of three trials, press ARRIVED key. Select NAV UPDATE from the SETUP AND INFORMATION menu and enter the second survey marker data. Do a NAV POSN UPDATE by pressing USE ALL key. Proceed to the chosen method for testing direction.

M-11.1.2 Verification of Direction Using an OS/EOL.

The PDFCS nav subsystem uses gyros to align the system to north. Checks of PDFCS direction may be accomplished using survey points and the M2 aiming circle, or a theodolite. Perform the test as follows.

- a. Ensure the howitzer is fully initialized and emplaced at the survey point on level ground. Ensure that a NAV POSN UPDATE has been done using the survey marker data.
- b. Unstow the tube. Install muzzle crosshairs.
- c. Set up and level the aiming circle over the OS.

M-11 PDFCS CONFIDENCE TESTS - CONTINUED

M-11.1 Verification of Position and Direction Using Survey Data - Continued

M-11.1.2 Verification of Direction Using an OS/EOL - Continued

- d. Place the azimuth of the Orienting Line (OL) on the aiming circle using the upper (recording) motion.
- e. Sight the aiming circle on the EOL using the lower (non-recording) motion.
- f. Sight the aiming circle toward the howitzer using the upper (recording) motion.
- g. Using the primer vent hole and muzzle crosshairs, align the cannon bore on the aiming circle lens.
- h. With the upper (recording) motion of the aiming circle, align the vertical crosshair on the center of the cannon bore. Aiming circle operator announces "NUMBER (SO AND SO) REFER, AIMING POINT THIS INSTRUMENT."
- i. Read the azimuth to the cannon bore. This corresponds to the back azimuth of the cannon bore.
- j. If the aiming circle azimuth to the tube is greater than 3200, subtract 3200 to obtain tube pointing azimuth. If the aiming circle azimuth to the tube is less than 3200, add 3200 to obtain tube pointing azimuth.
- k. Select DISPLAY FORMAT from the SETUP AND INFORMATION menu. Change display from DEFLECTION to AZIMUTH and press USE ALL key.
- l. Select FIRE COMMANDS from the SETUP AND INFORMATION menu. When FIRE COMMANDS menu is displayed, press USE ALL to display a FIRE MISSION screen.
- m. Read and record ACTL AZ and QUAD off the FIRE MISSION screen. PDFCS operator announces "NUMBER (SO AND SO), AZIMUTH (SO MUCH)".
- n. Aiming circle operator compares the readings from steps j and m. If the difference is with ± 2 mils, the aiming circle operator announces "SAFE".

NOTE

Quadrant should also be checked with a pretested gunner's quadrant. After adjusting for breech correction, reading should compare within ± 2 mils.

- o. PDFCS operator compares the readings from steps k and n. If the difference is within ± 2 mils, the direction test is complete. Skip the steps below. Press EOM key on the FIRE MISSION menu to return to the SETUP AND INFORMATION menu. Select DISPLAY FORMAT and change display back to DEFLECTION and press USE ALL key.
- p. If either the azimuth or quadrant difference exceeds ± 2 mils, stow tube. Select NAV UPDATE from SETUP AND INFORMATION menu. When NAV UPDATE menu is displayed, check data and correct if necessary. When data is correct, select FORCE NAV RESTART and press USE ALL key to align the nav subsystem.
- q. Recheck the aiming circle level and position over the stake.
- r. After the nav subsystem is fully aligned, unstow tube and repeat steps d through o.
- s. If results are still out of tolerance, notify unit maintenance.

M-11 PDFCS CONFIDENCE TESTS - CONTINUED

M-11.1 Verification of Position and Direction Using Survey Data - Continued

M-11.1.3 Verification of Direction Using an Azimuth to a DAP.

The PDFCS nav subsystem uses gyros to align the system to north. Checks of PDFCS direction may be accomplished using a survey point and a surveyed azimuth to a DAP at least 1500 meters away. A closer point may be used, but the test will not be as accurate. Perform the test as follows.

- a. Ensure the PDFCS is fully initialized and the nav subsystem is fully aligned. Ensure the howitzer is positioned with the left front sprocket within one meter of the survey point. Ensure the howitzer is pointed generally toward the DAP.
- b. Unstow the tube.
- c. Align the cannon bore on the DAP.
- d. Select DISPLAY FORMAT from the SETUP AND INFORMATION menu. Change display from DEFLECTION to AZIMUTH and press USE ALL key.
- e. Select FIRE COMMANDS from the SETUP AND INFORMATION menu. When FIRE COMMAND menu is displayed, press USE ALL to display a FIRE MISSION screen.
- f. Read and record ACTL AZ and QUAD off the FIRE MISSION screen.
- g. Compare the azimuth display on the PDFCS (ACTL AZ) with the surveyed azimuth to the DAP. Azimuth should compare within ± 2 mils.
- h. Compare the quadrant displayed on the PDFCS (ACTL QUAD) with the quadrant elevation off the M145A1 Mount. Quadrant elevation should compare within ± 2 mils.

NOTE

Quadrant should also be checked with a pretested gunner's quadrant. After adjusting for breech correction, reading should compare within ± 2 mils.

- i. If the results are within tolerance, the test is complete. Skip the steps below. Press EOM key on the FIRE MISSION menu to return to the SETUP AND INFORMATION menu. Select DISPLAY FORMAT and change display back to DEFLECTION and press USE ALL key.
- j. If the results are out of tolerance, stow tube. Select NAV UPDATE from SETUP AND INFORMATION menu. When NAV UPDATE menu is displayed, check data and correct if necessary. When data is correct, select FORCE NAV RESTART and press USE ALL key to align the nav subsystem.
- k. After the NAV subsystem is fully aligned, unstow tube and repeat steps c through i.
- l. If results are still out of tolerance, notify unit maintenance.

M-11 PDFCS CONFIDENCE TESTS - CONTINUED

M-11.1 Verification of Position and Direction Using Survey Data - Continued

M-11.1.4 Verification of Deflection and Quadrant.

If surveyed azimuth data is not available, you can check the PDFCS and the PANTEL for a match in deflection and quadrant elevation. To perform this test, a DAP at least 1500 meters away is needed. Perform the test as follows.

NOTE

The howitzer may be positioned at a survey point if the position test is also being conducted. However, a survey point is not necessary to perform the deflection and quadrant test alone.

- a. Receive a move order from FDC to fire point. If FDC is not available, enter a manual move order to a FIRE POINT.
- b. With the EMLACE FIRE POINT screen displayed, position howitzer with tube pointed generally toward center of sector (base azimuth).
- c. Press ARRIVED and unstow tube. Install muzzle crosshairs.
- d. Use default value for MAXIMUM TUBE ELEVATION and press USE ALL on the SITE DEFINITION screen. The SECTION IN ORDER AT FIRE POINT screen will be displayed.
- e. Using the power control handle, traverse the tube until ACTL DEFL displays 3200 deflection on the SECTION IN ORDER screen (this is the center of sector or base azimuth).

NOTE

If there is no FPF or priority fire mission on the screen, you may press the LOAD key to traverse the tube to 3200 deflection. Ensure that ACTL DEFL remains on 3200 deflection when you release the LOAD key. Adjust with power control handle, if necessary.

- f. Check boresight of PANTEL with M140/M140A1 alignment device.
- g. Select a DAP that is at least 1500 meters away.
- h. Using the Azimuth deflection knob, align the vertical hairline of the PANTEL on the DAP. Level the pitch and cross level bubbles and check alignment.
- i. Rotate counter rest knob on PANTEL until 3200 appears on reset counter.
- j. Using the primer vent hole and muzzle crosshairs, align the tube on the DAP.
- k. Level pitch and cross level bubbles on PANTEL mount. Using the azimuth deflection knob, align vertical hairline of PANTEL on the DAP. Record PANTEL deflection reading.
- l. Center elevation level vial on M145A1 mount. Record M145A1 quadrant reading.
- m. Read and record the ACTL deflection (DEFL) and quadrant (QUAD) obtained on the PDFCS SECTION IN ORDER screen.

M-11 PDFCS CONFIDENCE TESTS - CONTINUED

M-11.1 Verification of Position and Direction Using Survey Data - Continued

M-11.1.4 Verification of Deflection and Quadrant - Continued

- n. Compare deflections and quadrants obtained in steps k, l, and m. The tolerance between readings is ± 2 mils for both deflection and quadrant.
- o. If PDFCS and PANTEL agree within the tolerance, the test is complete. Skip the next step.
- p. If PDFCS and PANTEL do not agree with the tolerance, notify unit maintenance.

M-11.2 Testing the Accuracy of the PDFCS Elevation.

NOTE

Before performing this test, ensure that the cannon assembly is properly equilibrated (para 3-8.2) to prevent tube elevation drift.

The PDFCS elevation accuracy should be tested whenever the trunnions have been leveled for optical fire control alignment test and measurements. It is suggested that a survey point be put in at the location of these tests for the purpose of proper initialization of the PDFCS.

This test is used to verify the PDFCS quadrant elevation and gunner's quadrant agree at all elevations. Perform the test as follows.

- a. Initialize the PDFCS with the tube stowed in the travel lock.
- b. When the Nav Subsystem is fully aligned, unstow tube, and recheck trunnion level using a plumbline.
- c. Level the tube using a pretested gunner's quadrant on the machined surface just rear of the muzzle brake. Set the gunner's quadrant on the top (widest) surface with the feet aligned with the machined shoulder.
- d. With the tube held at the level position, place the gunner's quadrant on the breech elevation seats. Measure and record breech correction.
- e. Select FIRE COMMANDS from the SETUP AND INFORMATION menu. When FIRE COMMANDS menu is displayed, press USE ALL to display a FIRE MISSION screen.
- f. Read and record ACTL QUAD on the FIRE MISSION screen. QUAD should be zero mils ± 0.5 mils.
- g. If ACTL QUAD is not within tolerance, notify unit maintenance.
- h. Set the scale of the gunner's quadrant to 100 mils plus the sum of the gunner's quadrant correction and the breech correction.
- i. Place the gunner's quadrant on the breech seats. Elevate the tube (power or manual) until the bubble is centered.
- j. Read and record the ACTL QUAD on the FIRE MISSION screen. If the difference between the ACTL QUAD and the tube elevation exceeds ± 0.5 mils, verify all settings. Record the difference.
- k. Repeat steps h through j, adding 100 mils elevation each time, until maximum elevation is reached. Then decrease elevation in 100 mil increments and repeat measurements.
- l. Compare all differences to the tolerance of ± 0.5 mils. If the reading at any elevation exceeds the tolerance, notify unit maintenance.

APPENDIX N

OPERATION OF AUTOMATIC FIRE CONTROL SYSTEM (AFCS) (VERSION 2 SOFTWARE)

TABLE OF CONTENTS

	<u>Page</u>
N-1 SCOPE	N-3
N-2 GENERAL	N-3
N-3 AFCS OPERATING MODES	N-3
N-3.1 Training Mode	N-3
N-3.2 Normal Operation Mode	N-4
N-3.3 Maintenance Mode	N-4
N-4 AFCS OPERATING CONTROLS AND INDICATORS	N-4
N-5 DC POWER MESSAGES	N-50
N-5.1 On Auxiliary Power	N-50
N-5.2 Auxiliary Power Not Available	N-51
N-5.3 Vehicle and Auxiliary Power OK	N-51
N-6 AFCS INITIALIZATION	N-52
N-6.1 System Power-Up	N-52
N-6.2 Initializing	N-58
N-6.3 Initialization After an Orderly Shutdown	N-111
N-6.4 Initialization After a Catastrophic Failure	N-128
N-7 AFCS TRAVEL MODE	N-130
N-7.1 Movement	N-130
N-7.2 Emplacement Fire Point/Fire Area	N-135
N-8 AFCS FIRE MISSION	N-146
N-8.1 Platoon Operation Center	N-148
N-8.2 Firing Mission	N-150
N-8.3 Ammunition Accountability	N-153
N-8.4 End of Mission	N-155
N-8.5 AFCS Emergency Mission	N-156
N-8.6 Direct Fire Procedures Using AFCS	N-158
N-8.7 System Menus	N-163
N-9 AFCS AND PDIU FAULT DETECTION	N-201
N-9.1 Power Up Built-In-Test (BIT)	N-201
N-9.2 AFCS Status	N-204
N-9.3 PDIU System Test	N-210
N-9.4 Weapon Control Test	N-224
N-9.5 Vehicle Motion Sensor Test	N-228
N-9.6 Audio Alert Test	N-230
N-9.7 Display Test	N-231
N-9.8 Key and Switch Test	N-232
N-9.9 Boresight Angle Entry Test	N-233
N-9.10 Equivalent Full Charge (EFC)	N-233
N-9.11 AFCS and PDIU Abbreviations	N-238
N-9.12 Software Version/Configuration Display	N-242
N-9.13 CPU Environment Display	N-244
N-10 SYMPTOM INDEX	N-245
N-11 AFCS CONFIDENCE TESTS	N-256
N-11.1 Verification of Position and Direction Using Survey Data	N-256
N-11.2 Testing the Accuracy of the AFCS Elevation	N-261

LIST OF TABLES

	<u>Page</u>
Table N-1 EL Panel	N-6
Table N-2 Fire Mission Display	N-12
Table N-3 Other Volley Display	N-16
Table N-4 Section In Order Display	N-18
Table N-5 Charge Displayed Based on Propellant Model	N-20
Table N-6 U.S Shell/Fuze Combinations Cross Reference	N-21
Table N-7 Urgent Messages	N-27
Table N-8 High Priority Messages	N-28
Table N-9 Low Priority Messages with Audio Alerts	N-31
Table N-10 Low Priority Messages without Audio Alerts	N-43
Table N-11 Power Up Status Display	N-56
Table N-12 Network Configurations	N-63
Table N-13 Paladin Fire Commands Entry Display	N-166
Table N-14 Shell Model Numbers	N-174
Table N-15 Fuze Model Numbers	N-175
Table N-16 Record of Fire Select Target Display	N-183
Table N-17 Record of Fire Display	N-184
Table N-18 Record of Fire Data Display	N-190
Table N-19 Weapon Control Test Display	N-225
Table N-20 Weapon Control Test Status Messages	N-227
Table N-21 Troubleshooting	N-246

N-1 SCOPE.

This appendix contains the procedures and actions necessary for proper operation of the Automatic Fire Control System (AFCS) utilizing Version 2.0 Software.

N-2 GENERAL.

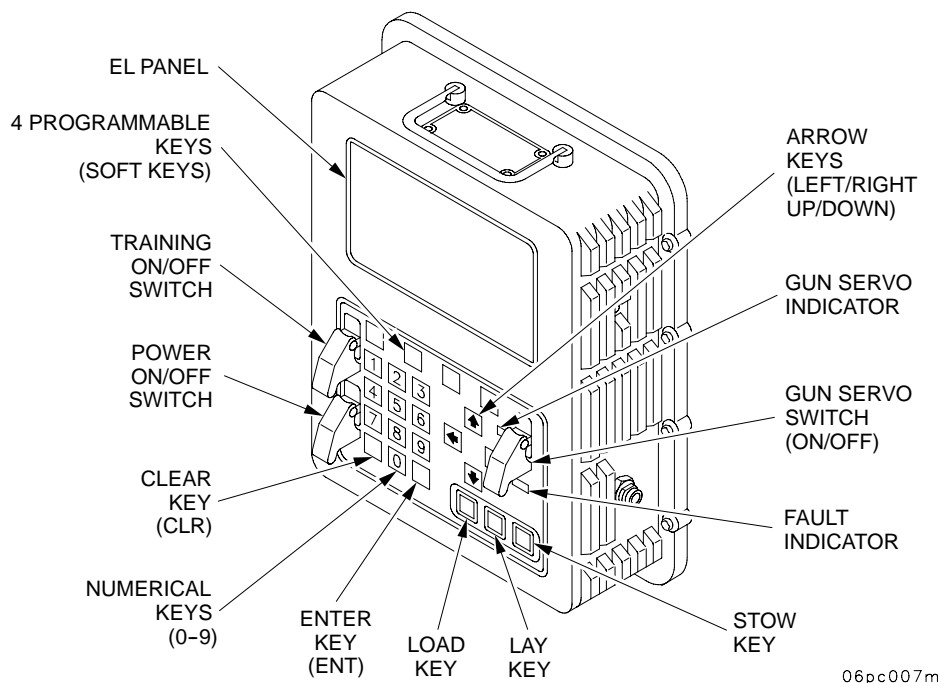
The Automatic Fire Control System (AFCS) performs ballistic computations and weapon control, provides the interface between the AFCS computer and the radios, and stores data which is displayed/entered on the Display Unit (DU).

AFCS eliminates the use of optical fire control equipment in laying vehicle for deflection and elevation during indirect fire missions. The AFCS receives target information, calculates weapons position and automatically lays the gun tube. Calls for fire are accepted directly. Communication can be performed with any authorized source.

In addition AFCS contains a maintenance utility designed to perform initial troubleshooting of the system and a Built-In Training Device (Embedded Trainer) containing a tutorial on system operations.

N-3 AFCS OPERATING MODES.

The AFCS functions are performed during three operating modes. These modes are Training, Normal Operations, and Maintenance.



N-3.1 Training Mode.

The AFCS has a Built-In Training Device (Embedded Trainer). This can be used as a tutorial device to train, maintain, improve, and evaluate crew efficiency/performance. This function allows for simulating Move and Fire Missions under a variety of battlefield scenarios. These include: Shoot Heavy, Move Heavy, Modified Balanced, as well as Degraded conditions (for AFCS), all without need for radio communications (AFCS simulates all radio communications so training can be accomplished without POC assets). In addition, the Embedded Trainer can be run from a Beginner's Tutorial option through a full scale scenario.

N-3 AFCS OPERATING MODES - CONTINUED

N-3.2 Normal Operation Mode.

During the normal operation mode, there are submodes which make up initializing the system navigation, emplacement, and firing the howitzer. These submodes are initialization, travel, and fire mission.

N-3.3 Maintenance Mode.

This mode is designed to be used by the crew to do initial troubleshooting of a failure in the AFCS, isolate to an LRU and expedite repair, and view detailed software configuration information for each LRU/CPCI.

N-4 AFCS OPERATING CONTROLS AND INDICATORS.

- a. GUN SERVO Indicator Lamp. This amber indicator lamp will come on only during AFCS movement of the weapon. Additionally, the lamp stays on when the servos position the weapon on command LAY.
- b. GUN SERVO ON/OFF Switch. This toggle switch enables gun servo units. Lifting guard and placing switch in ON position allows AFCS to control gun servo valves. (This is required for Gun Laying by AFCS, also needed for STOW and LOAD commands by AFCS.) Closing switch guard will automatically place switch in OFF position.
- c. Arrow Keys (up/right/down and left). Pressing proper key will move highlighted area of display on EL Panel.
- d. FAULT Indicator Lamp. This indicator lamp will come on when a failure has been detected by internal BIT of AFCS.
- e. STOW Key. With GUN switch ON, pressing STOW key will automatically return gun to a position above the travel lock. (Final tube positioning to secure gun in travel lock must be done with gunner's/COS control handles.)
- f. LAY Key. With GUN switch ON, pressing LAY key will automatically drive gun to Commanded (CMD) position by AFCS (in proper azimuth and elevation).
- g. LOAD Key. With GUN switch ON, pressing LOAD key during high firing angles will automatically return gun to a preselected low elevation angle. This allows easier loading of gun.
 - (1) During Fire Mission. Pressing LOAD key during a Fire Mission will return gun to preselected load elevation and traverse gun to LAY position.
 - (2) Prior to Fire Mission. Pressing LOAD key prior to a Fire Mission (Section in Order) will return gun to preselected load elevation and traverse to Final Protective Fire (FPF) azimuth.

NOTE

If there is no FPF, the gun will traverse to the assigned center sector of fire.

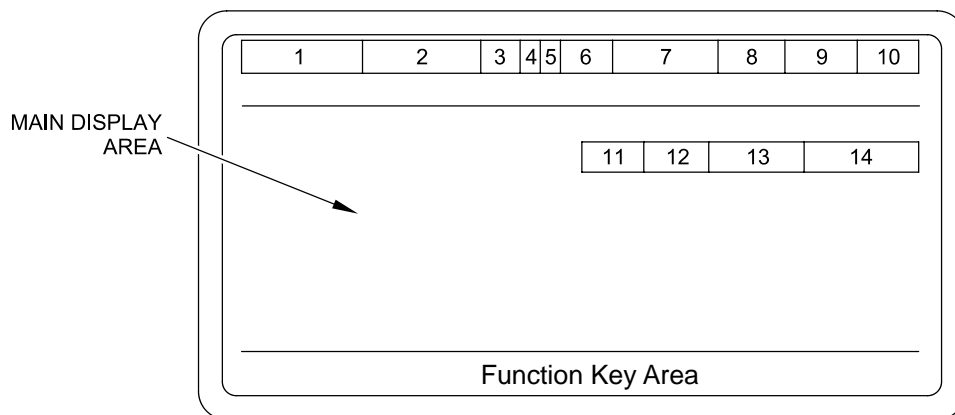
- h. KEYPAD (Numerals 0 through 9, CLR--clear, and ENT--enter keys). These keys are used for entering data. The CLR key is used to delete a numeric entry within the cursor field on EL Panel. The ENT key is used to insert a numeric entry into highlighted field on EL Panel.

NOTE

If DU POWER is switched to OFF, alignment data will have to be reentered at next power up. Navigation Restart is a 15-minute procedure. Closing switch guard will not place this switch in OFF position. Switch must be manually put in OFF position.

N-4 AFCS OPERATING CONTROLS AND INDICATORS - CONTINUED

- i. POWER ON/OFF Switch. Lifting the guard and placing switch in ON position powers up AFCS. System will then automatically perform self-test (BIT). After BIT, AFCS will control gun hydraulics when GUN ON/OFF switch is ON. At this time, some gun movement may occur. Do not power down DU (AFCS) when entering/exiting different modes. After AFCS has been powered down, the AFCS will power up and be operational in approximately 3-4 minutes.
- j. TRAINING ON/OFF Switch. Lifting the guard and placing switch in ON position while AFCS is at the select operating mode menu allows operator to select Training Mode. (To exit Training Mode, either finish scenario and exit via appropriate softkey, or place TRAINING ON/OFF switch to OFF and select appropriate softkey to exit.)
- k. Softkeys (four). Function of keys depends on menu being displayed (worked). Lowest display line identifies function.
- l. Audio Alerts. There are two audio alerts that are sounded by the AFCS. Type 1 is a constant repetition of alternating high and low tones of .3 seconds each. Type 2 is a constant repetition of a single tone for .2 seconds with .6 seconds of quiet between each tone.
- m. EL Panel. Displays various menus, operator alerts/warnings, messages and orders/commands. Information shown on the EL panel will vary, but format will remain the same. The format will show possible fire mission data fields, advisory messages, instructions, and commands. The EL panel data fields are numbered as follows:



06pc088mf

N-4 AFCS OPERATING CONTROLS AND INDICATORS - CONTINUED

Table N-1. EL Panel

Field	Description	Conditions for display
1	Operational Mode Range/Values: (1) NORMAL (2) EMB TNG (3) MAINT (4) STE-X (5) aaaaaaa (6) Blank (7) MV (8) NO MV (9) BAD MV	(1) Indicates the normal operational mode was selected. (2) Indicates the training mode was selected. (3) Indicates maintenance mode was selected. (4) Indicates the STE-X has control of the system. (5) Represents the Paladin software version and is only displayed on POWER UP STATUS. (6) Indicates the software configuration data table is invalid. Note: MV, NO MV and BAD MV shall be displayed in inverse video. (7) Displayed upon shot detect and a valid muzzle velocity was received from the MVS. (8) Displayed upon shot detect and no muzzle velocity was received from the MVS. (9) Displayed upon shot detect and a muzzle velocity was received but the data was not valid.
2a	Fire Mission 1 Indicator Range/Values: (1) FM1 (2) CK1 (3) CHK (4) Blank	Note: The Paladin shall remove the appropriate Fire Mission Status upon receipt of EOM, Early EOM, Cancel Checkfire By Target, or Cancel Checkfire All. (1) FM1 displayed upon receipt of a valid fire mission and field 2a is blank. Inverse video=active mission. Normal video=non-active mission. (2) CK1 if the FM1 fire mission is in Checkfire Target Number and Paladin is not in Checkfire All. Inverse video=active mission. Normal video=non-active mission. (3) CHK displayed in inverse video upon receipt of a valid Check Fire All. (4) Blank indicates that none of the above conditions apply.

N-4 AFCS OPERATING CONTROLS AND INDICATORS - CONTINUED**Table N-1. EL Panel - Continued**

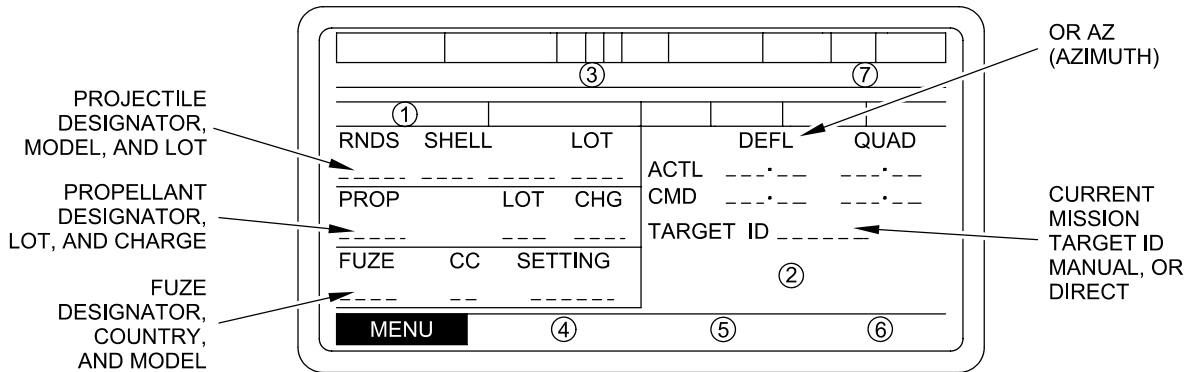
Field	Description	Conditions for display
2b	Fire Mission 2 Indicator Range/Values: (1) FM2 (2) CK2 (3) ALL (4) Blank	Note: The Paladin shall remove the appropriate Fire Mission Status upon receipt of EOM, Early EOM, Cancel Checkfire By Target, or Cancel Checkfire All. (1) FM2 displayed upon receipt of a valid fire mission and field 2a is FM1 or CK1. Inverse video=active mission. Normal video=non-active mission. (2) CK2 if the FM2 fire mission is in Checkfire Target Number and Paladin is not in Checkfire All. Inverse video=active mission. Normal video=non-active mission. (3) ALL displayed in inverse video upon receipt of a valid Check Fire All. (4) Blank indicates that none of the above conditions apply.
3	Move Order Indicator Range/ Values: (1) MO (2) Blank	Note: MO is displayed in inverse video. (1) The Paladin has an active move order. (2) The Paladin does not have an active move order.
4	Warning Message Indicator Range/Value: (1) W (2) Blank	Note: W is displayed in inverse video. (1) A warning message has been queued. (2) There are no warning messages for the operator to view.
5	Received Message Indicator Range/Values: (1) R (2) Blank	Note: R is displayed in inverse video. (1) A received message has been queued. (2) There are no messages for the operator to view.

N-4 AFCS OPERATING CONTROLS AND INDICATORS - CONTINUED**Table N-1. EL Panel - Continued**

Field	Description	Conditions for display
6	Align Time to Go Indicator Range/Values: (1) ZPT (2) CMD (3) POS (4) 0-999 (5) Blank	Note: The data displayed below are listed in highest to lowest priority order. (1) Indicates a ZUPT stop is required. (2) This indicates that the AFCS has initiated a command sequence with the Navigation Device and the command sequence has not yet been completed. (3) This indicates that the Navigation Device has requested a position update. (4) This three digit number indicates the number of seconds remaining before navigation alignment is complete. When the alignment has proceeded to the point where the Paladin can be fired or moved, an alert will be provided to the operation indicating that it is okay to move or shoot. The align time will continue to be updated until the "nnn" value reaches zero. If the navigation device is not able to complete the alignment within two (2) seconds of the timer reaching zero, an error prompt will be presented indicating that a navigation device restart is required. (5) Indicates that none of the above applies.
7	Function Status Range/Values: (1) N (2) A (3) C (4) D (5) W (6) F (7) Blank	(1) The Navigation Subsystem is --, DEGRADED, or OUT. (2) GPS is not supplying position data or DRUH is operating in the inertial mode; or GPS Data is invalid, EPE is greater than the good threshold, or GPS is unavailable while moving. (3) The COMMO Subsystem is --, DEGRADED, or OUT. (4) Operator selects DRY FIRE from the Fire Mission Mode Selection Menu. (5) The WPN Subsystem is --, DEGRADED, or OUT. (6) The IFS Subsystem is --, OUT, DEG-MNT, DEG-GPS or DEG-BAT. (7) All of the above subsystems are OK, or not in Dry Fire mode.
8	Load Key Status Range/Values: (1) LOAD (2) Blank	Note: When Load is displayed in inverse video, the tube is within the load window. (1) Indicates the load key is active. (2) Indicates the load key is inactive.
9	Lay Key Status Range/Values: (1) LAY (2) Blank	Note: When Lay is displayed in inverse video, the tube is in the Lay position. (1) Indicates the Lay key is active. (2) Indicates the Lay key is inactive.

N-4 AFCS OPERATING CONTROLS AND INDICATORS - CONTINUED

The main display area contains the menu, information, and data entry areas required for operating the AFCS. The specific data shown in this area is dependent on the functions being performed. Various instructions and warnings will appear in this area, as necessary. Below are some of the displays and data requirements for the main display area.



06pc242ta

Listed below are the legal values for each field of FIRE MISSION display.

NOTE

The 1/1, 1/2, and 2/2 data shall not be displayed for direct or FDC Fire Commands fire missions.

- VLV / = current volley being displayed: 1/1, 1/2 or 2/2
- RNDS = Number of rounds remaining to fire 1..99 or blank
- SHELL = Shell model only (see Table N-6) or blank
- SHELL LOT = A..Z or blank
- PROP = Propellant model (see Table N-6) or blank
- PROP LOT = A..Z or blank
- CHG = Propellant charge designator (see Table N-5) or blank
- DEFL or AZ = 0.0..6399.9 mils or blank
- QUAD = -200.0..+1600.0 mils or blank
- TARGET ID = Current mission target identification

N-4 AFCS OPERATING CONTROLS AND INDICATORS - CONTINUED

The display data format for the FIRE MISSION screen follows in Table N-2.

NOTE

- The alerts marked with an asterisk (*) will result in an “OK TO SHOOT?” YES, NO short error message to the AFCS operator.
- The operator must determine if mission is safe to shoot by notifying the FDC and either accept or abort as instructed.
- If the operator presses YES then the AFCS shall continue to process the fire mission.
- If the fire mission is a single aimpoint mission or if the violation applies to the entire mission and operator presses NO then the AFCS shall abort the fire mission.
- If the fire mission has multiple aimpoints and the operator presses NO then the AFCS shall transition to the next aimpoint.
- If the fire mission is a multiple phase fire mission and the violation occurs for only one phase, the violation and error message will be displayed before continuing the mission.
- If the fire mission has multiple aimpoints and the violation does not apply to every aimpoint, the violation and error message will be displayed for each aimpoint that has the violation, when the data for that aimpoint is displayed the first time.
- The “SAFE FIRE AREA VIOLATION” warning will be the first to appear. The additional information in this field shall remain until it is superseded or no longer applies.

N-4 AFCS OPERATING CONTROLS AND INDICATORS - CONTINUED

Table N-2. Fire Mission Display

Field	Description	Conditions for display
1	SHEAF INFORMATION Range/Values: (1) Blank (2) SHEAF PT (3) SHEAF X/XX	(1) Fire mission is not a sheaf mission. (2) This gun is participating in a multi-gun sheaf. (3) This gun is participating in a single gun sheaf where X is the current aimpoint number and XX is the number of aimpoints.
2	Range/Values: (1) Blank (2) SAFE FIRE AREA VIOLATION* (3) REMEMBER TO UPDATE INVENTORY (4) WARNING TUBE IS NOT IN LAY POSITION (5) TUBE MUST BE LAID MANUALLY (6) CALL FDC IF ROUND IN TUBE (7) PRESS SHOT OR CLEAR TO ACK CEASE-LOAD (8) SECTOR OF FIRE VIOLATION* (9) SITE VIOLATION* (10) INSUFFICIENT AMMO SHELL/FUZE/PROP* (11) INSUFFICIENT AMMO SHELL/FUZE* (12) INSUFFICIENT AMMO SHELL/PROP* (13) INSUFFICIENT AMMO FUZE/PROP* (14) INSUFFICIENT AMMO SHELL*	(1) Displayed when none of the following apply. (2) The aimpoint or trajectory terminates outside the Safe Fire Area. (3) Direct fire or FDC fire commands mission. (4) The Weapon Controller is operational and the tube is not in the Lay window. (5) The Weapon Controller is not operational. (6) Awaiting tube clear and crew is not authorized to fire. (7) The Paladin has received a CEASELOAD request. (8) Gun-target line is outside the defined sector of fire. (9) Firing parameters violate defined mask. (10) Insufficient ammo quantities. (11) Insufficient shell/fuze quantities. (12) Insufficient shell/prop quantities. (13) Insufficient fuze/prop quantities. (14) Insufficient shell quantities.

N-4 AFCS OPERATING CONTROLS AND INDICATORS - CONTINUED

Table N-2. Fire Mission Display - Continued

Field	Description	Conditions for display
	(15) INSUFFICIENT AMMO FUZE* (16) INSUFFICIENT AMMO PROP* (17) MAX TUBE EL EXCEEDED* (18) MINIMUM QE VIOLATED*	(15) Insufficient fuze quantities. (16) Insufficient prop quantities. (17) Computed QE exceeds the defined maximum elevation. (18) The gun tube has violated the minimum QE as entered by the AFCS operator in the ENTER MINIMUM FIRING QE display.
3	Range/Values: (1) FIRE WHEN READY (2) FIRE WHEN READY- FDC COMP (3) UNDER VOICE ORDERS (4) COMPUTING DO NOT LOAD (5) DO NOT LOAD (6) DO NOT LOAD- FDC COMP (7) LOAD LAY THEN PRESS READY (8) WAIT FOR COMMAND (9) WAIT FOR COMMAND- FDC COMP (10) WAIT NNN SECONDS (11) WAIT NNN SECONDS-FDC COMP (12) FIRE (13) FIRE-FDC COMP (14) FPF END OF MISSION (15) EARLY END OF MISSION (16) CEASELOAD	(1) Fire at will. (2) Fire at will and FDC computed the fire mission. (3) All commands are received via voice communications. (4) The Paladin is computing or waiting for an operator response. (5) Do not load mission. (6) Do not load mission computed by the FDC. (7) At My Command or Copperhead mission. (8) At My Command after ready. (9) At My Command after ready and the FDC computed the mission. (10) Time on target, time to fire, or continuous fire interval mission and the operator must wait NNN seconds before firing the howitzer. (11) Time on target, time to fire, or continuous fire interval mission, the FDC computed the mission and the operator must wait NNN seconds before firing the howitzer. (12) Command to fire. (13) Command to fire and FDC computed the mission. (14) EOM or CEASELOAD received during FPF mission. (15) EOM received before all rounds are fired. (16) CEASELOAD received after load but before all rounds are fired.

N-4 AFCS OPERATING CONTROLS AND INDICATORS - CONTINUED

Table N-2. Fire Mission Display - Continued

Field	Description	Conditions for display
4	SOFTKEY POSITION 1 Range/Values: (1) Blank (2) SHOT (3) READY	(1) SHOT or READY do not apply. (2) Used to initiate SHOT processing if not automatically performed when a round is fired. (3) Used for At My Command fire missions, and notifies FDC the Paladin is ready to fire.
5	SOFTKEY POSITION 2 Range/Values: (1) Blank (2) CLEAR (3) OTHER VLY	(1) CLEAR or OTHER VLY do not apply. (2) The Paladin requires notification of tube clear. (3) Other volley information is available for operator viewing.
6	SOFTKEY POSITION 3 Range/Values: (1) Blank (2) CHECK	(1) CHECK does not apply. (2) For Paladin operator initiated Check Fire.
7	SOFTKEY POSITION 4 Range/Values: (1) Blank (2) ABORT (3) EOM	(1) No active fire mission. Note: If the operator presses the EOM or ABORT softkey, the Paladin will display the operator alerts "ARE YOU SURE?" "YES" "NO" for EOM, and "ABORT ARE YOU SURE?" "YES" "NO" for Abort. (2) Fire mission other than direct or FDC Fire Commands is active. (3) Direct or FDC Fire Commands fire mission is active.

The following alerts shall appear if the operator presses the LOAD or LAY keys and the tube transitions across the minimum quadrant elevation:

"MINIMUM QE VIOLATED" "ACK" - The gun tube has violated minimum QE entered by the operator.

"MINIMUM QE NO LONGER VIOLATED" "ACK" - The gun tube no longer violates the minimum QE entered by the operator.

A type 2 audio alert shall be generated until the ACK key is pressed.

N-4 AFCS OPERATING CONTROLS AND INDICATORS - CONTINUED

The diagram shows a rectangular display window titled "OTHER VOLLEY". At the top, there is a header bar with several small empty boxes. Below the header, the text "OTHER VOLLEY" is centered. The main display area is divided into several sections. On the left, there are four rows of input fields: the first row has a circled "1" above a field labeled "VLY2/2"; the second row has "RND" followed by "SHELL -" and "LOT"; the third row has "PROP" followed by "LOT" and "CHG"; the fourth row has "FUZE -" followed by "/CC" and "SETTING". Below the "SETTING" field are two circled numbers "2" and "3". On the right side of the display, the text "PRESS CANCEL TO RETURN TO CURRENT FIRE DISPLAY" is displayed. At the bottom right corner, there is a black rectangular button labeled "CANCEL".

06pc243t

Listed below are the legal values for each field of the OTHER VOLLEY display:

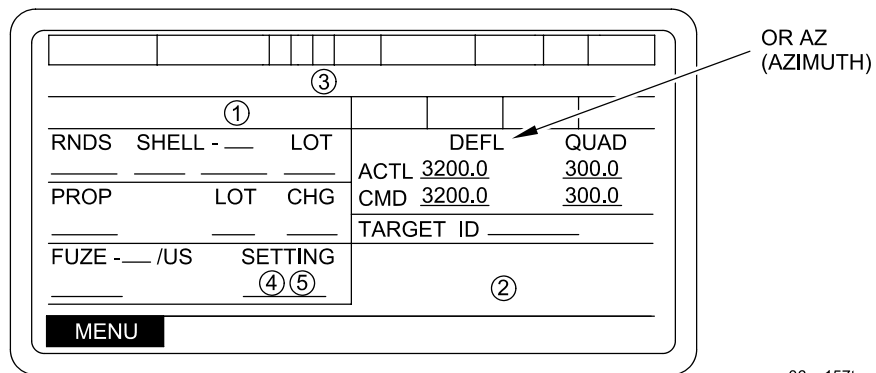
- RND = 1..99
- SHELL = Shell model (see Table N-6).
- SHELL LOT = A..Z
- PROP = Propellant model (see Table N-6)
- PROP LOT = A..Z
- CHG = Propellant charge designator (see Table N-5)

N-4 AFCS OPERATING CONTROLS AND INDICATORS - CONTINUED

Table N-3. Other Volley Display

Field	Description	Conditions for display
1	SHEAF INFORMATION Range/Values: (1) Blank (2) SHEAF PT (3) SHEAF X/XX	(1) Fire mission is not a sheaf mission. (2) This gun is participating in a multi-gun sheaf. (3) This gun is conducting a single gun sheaf where: X = Current aimpoint number XX = Number of aimpoints
2	FUZE MODE Range/Values: (1) PD (2) DLY (3) TI (4) VT	(1) Fuze Mode is Point Detonating or "Q". (2) Fuze Mode is Delay. (3) Fuze Mode is Time. (4) Fuze Mode is Variable Time.
3	FUZE TIME SETTING Range/Values: (1) NNN.N (where NNN.N is the time setting in seconds.) (2) Blank	(1) Fuze setting in seconds. (2) If fuze mode is PD or DLY and shell is not XM982 or if an XM982 mission.

N-4 AFCS OPERATING CONTROLS AND INDICATORS - CONTINUED



06pc157tc

Listed below are the legal values for each field of the SECTION IN ORDER display:

- RNDS = 0..99 or blank
- SHELL = Shell model only (see Table N-6) or blank
- SHELL LOT = A..Z or blank
- PROP = Propellant model (see Table N-6) or blank
- PROP LOT = A..Z or blank
- PROP CHG = Propellant charge designator (see Table N-6) or blank
- FUZE SETTING = Computed fuze setting, "PD" or "DELAY"
- DEFL (or AZ) = 0.0..6399.9 mils
- QUAD = -200.0..+1600.0 mils
- TARGET ID = FPF/PRI target identification if a target exists; otherwise blank

The display data format for the SECTION IN ORDER screen follows in Table N-4.

N-4 AFCS OPERATING CONTROLS AND INDICATORS - CONTINUED

Table N-4. Section In Order Display

Field	Description	Conditions for display
1	FPF/PRI STATUS Range/Value: (1) BLANK (2) COMPUTING FPF/PRI (3) NO FPF/PRI EXISTS (4) UNABLE TO COMPUTE (5) SECTOR VIOLATION (6) MASK VIOLATION (7) INSUFFICIENT AMMO (8) NO FUZE INVENTORY (9) NO PROJ INVENTORY (10) NO PROP INVENTORY (11) BAD PROJ LOT MODEL (12) NO AMMO INV COMBO (13) INVALID AMMO COMBO (14) INSUFFICIENT RANGE (15) NO SOLUTION (16) NOT FPF TYPE MISSION (17) UNASSIGNED FPF/PRI (18) TARGET TOO CLOSE (19) TUBE EL VIOLATION (20) FDC COMP (INVERSE VIDEO)	(1) Displayed when no FPF/PRI exists. (2) Displayed while computing Fire Mission data for FPF/PRI. (3) Displayed when the FPF/PRI has not been received. (4) Displayed when the Paladin is unable to compute a ballistic solution for FPF/PRI. (5) Displayed when the commanded deflection for FPF/PRI is outside the Sector of Fire. (6) Displayed when the FPF/PRI Firing Data violates Mask. (7) Displayed when the Ammo inventory is insufficient to support all phases of Fire Mission. (8) Displayed when the specified Fuze not in inventory. (9) Displayed when the specified Proj not in inventory. (10) Displayed when the specified Prop not in inventory. (11) Displayed when the specified Proj Lot/Model conflict. (12) Displayed when the specified Ammo combination is not in inventory. (13) Displayed when the specified shell/fuze/prop is invalid. (14) Displayed when the Paladin can not range the target. (15) Displayed when the Paladin can not compute a firing solution. (16) Displayed when in an active FPF (Adjust Fire), and an EOM/RAT is received with refinement data. (17) Displayed when an FPF/PRI stored target is received and the fire mission is not assigned to this gun. (18) Displayed when an FPF/PRI has been established and Paladin has moved too close to range the target. (19) Displayed when an FPF/PRI stored target at a fire point or fire area, and a tube elevation violation has been detected during the mask result checks. (20) Displayed when an FPF/PRI stored target at a fire point or fire area, and the fire mission was computed by the FDC.

N-4 AFCS OPERATING CONTROLS AND INDICATORS - CONTINUED

Table N-4. Section in Order Display- Continued

Field	Description	Conditions for display
2	SECTION IN ORDER STATUS Range/Value: (1) SECTION IN ORDER AT FIRE POINT (2) SECTION IN ORDER AT IN ROUTE POINT (3) SECTION IN ORDER WITHIN FIRE AREA	(1) Arrived at a Fire Point. (2) Arrived at any point short of Fire Point or Fire Area. (3) Arrived within the Fire Area radius as defined in the Move Order.
3	CONTROL STATUS Range/Values: (1) DO NOT MOVE/DO NOT LOAD (2) DO NOT MOVE (3) MOVES ALLOWED (4) MOVES ALLOWED/DO NOT LOAD	(1) Arrived at Fire Point and an FPF/PRI exists. (2) Arrived at Fire Point and NO FPF/PRI exists. (3) Arrived at Fire Area and and NO FPF/PRI exists. (4) Arrived at Fire Area and an FPF/PRI exists.
4	FUZE MODE Range/Values: (1) PD (2) DLY (3) TI (4) VT (5) Blank	(1) Fuze Mode is Point Detonating or "Q". (2) Fuze Mode is Delay. (3) Fuze Mode is Time. (4) Fuze Mode is Variable Time. (5) If copperhead fire mission or an XM982 or M982 fire mission is in DNL status.
5	FUZE TIME SETTING Range/Values: (1) NNN.N (where NNN.N is the time setting in seconds.) (2) NN PPP (where NNN.N is the fuze setting and PPP is the PRF Code) (3) Blank	(1) Fuze setting in seconds. (2) Shell is M712. (3) If fuze mode is PD or DLY and shell is not XM 982 or if an XM982 mission.

N-4 AFCS OPERATING CONTROLS AND INDICATORS - CONTINUED

Table N-5. Charge Displayed Based on Propellant Model

Charge Displayed	Based on Propellant Model
3G, 4G, 5G	M3, M3A1, M3A1BG, M3C2, DM62
3G, 4G, 5G, 6G	MLE56
6W, 7W, 8W, 9W, 9BW	MLE69
3W, 4W, 5W, 6W, 7W	M4A1, M4A2, M4C3, M4C4, DM42, DM42B1, NM23
8	M119A1, NR13C1
7R	M119A2, M119A2BG, EBO-5, DM52
8R	M203
8S	M203A1
1L, 2L	M231
3H, 4H, 5H	M232, M232A1

N-4 AFCS OPERATING CONTROLS AND INDICATORS - CONTINUED

Table N-6. U.S Shell/Fuze Combinations Cross Reference

Shell		Fuze												Propellants		
CC	Model	Q		D		CP		CPD		TI		VT		CC	Model	Charges
		CC	Model	CC	Model	CC	Model	CC	Model	CC	Model	CC	Model			
US	M718													US	M3A1	3-5
	FCI 155-AR-A													US	M4A1	3-7
	Supplement 4													US	M4A2	3-7
														US	M119A1	8
														US	M119A2	7R
														US	M231	1-2
														US	M232	3-4
														US	M232A1	3-4
US	M718A1													US	M3A1	3-5
	FCI 155-AR-A													US	M4A1	3-7
	Supplement 4													US	M4A2	3-7
														US	M119A1	8
														US	M119A2	7R
														US	M231	1-2
														US	M232	3-4
														US	M232A1	3-4
US	M741													US	M3A1	3-5
	FCI 155-AR-A													US	M4A1	3-7
	Supplement 4													US	M4A2	3-7
														US	M119A1	8
														US	M119A2	7R
														US	M231	1-2
														US	M232	3-4
														US	M232A1	3-4
US	M741A1													US	M3A1	3-5
	FCI 155-AR-A													US	M4A1	3-7
	Supplement 4													US	M4A2	3-7
														US	M119A1	8
														US	M119A2	7R
														US	M231	1-2
														US	M232	3-4
														US	M232A1	3-4
US	M692													US	M3A1	3-5
	FCI 155-AR-A													US	M4A1	3-7
	Supplement 3													US	M4A2	3-7
														US	M119A1	8
														US	M119A2	7R
														US	M231	1-2
														US	M232	3-4
														US	M232A1	3-4
US	M731													US	M3A1	3-5
	FCI 155-AR-A													US	M4A1	3-7
	Supplement 3													US	M4A2	3-7
														US	M119A1	8
														US	M119A2	7R
														US	M231	1-2
														US	M232	3-4
														US	M232A1	3-4

N-4 AFCS OPERATING CONTROLS AND INDICATORS - CONTINUED

Table N-6. U.S Shell/Fuze Combinations Cross Reference - Continued

Shell		Fuze												Propellants		
CC	Model	Q		D		CP		CPD		TI		VT		CC	Model	Charges
CC	Model	CC	Model	CC	Model	CC	Model	CC	Model	CC	Model	CC	Model	CC	Model	Charges
US	M712													US	M3A1	4-5
	FCI 155-AS-A													US	M4A1	4-7
														US	M4A2	4-7
														US	M119A1	8
														US	M119A2	7R
														US	M231	2
														US	M232	3
														US	M232A1	3
US	M107DC	US	M557	US	M557	US	MK399	US	MK399	US	M564	US	M728	US	M3A1	3-5
	FCI 155-AM-B	US	M739	US	M739					US	M582	US	M732	US	M4A1	3-7
		US	M739A1	US	M739A1					US	M582A1	US	M732A2	US	M4A2	3-7
		US	M782	US	M782					US	M767	US	M782	US	M119A1	8
		US	MK399	US	MK399					US	M767A1			US	M119A2	7R
		US*	M582							US	M782			US	M231	1-2
		US*	M582A1											US	M232	3-4
		US*	M564											US	M232A1	3-4
		US*	M767													
		US*	M767A1													
		US*	M728													
		US*	M732													
		US*	M732A2													
US	M449A1									US	M565			US	M3A1	3-5
	FCI 155-AM-B									US	M577			US	M4A1	3-7
	Supplement 6									US	M577A1			US	M4A2	3-7
										US	M762			US	M119A1	8
										US	M762A1			US	M119A2	7R
														US	M231	1-2
														US	M232	3-4
														US	M232A1	3-4
US	M483A1									US	M577			US	M3A1	3-5
	FCI 155-AR-A									US	M577A1			US	M4A1	3-7
	Supplement 1									US	M762			US	M4A2	3-7
										US	M762A1			US	M119A1	8
														US	M119A2	7R
														US	M231	1-2
														US	M232	3-4
														US	M232A1	3-4
US	M795	US	M557	US	M557	US	MK399	US	MK399	US	M564	US	M732	US	M3A1	3-5
	FCI 155-AR-A	US	M739	US	M739					US	M582	US	M732A2	US	M4A1	4-7
		US	M739A1	US	M739A1					US	M582A1	US	M782	US	M4A2	4-7
		US	M782	US	M782					US	M767			US	M119A1	8
		US	MK399	US	MK399					US	M767A1			US	M119A2	7R
		US*	M582							US	M782			US	M203	8R
		US*	M582A1											US	M203A1	8S
		US*	M564											US	M231	1-2
		US*	M767											US	M232	3-5
		US*	M767A1											US	M232A1	3-5
		US*	M732													
		US*	M732A2													

US* - TI or VT fuzes in the point detonating mode

N-4 AFCS OPERATING CONTROLS AND INDICATORS - CONTINUED

Table N-6. U.S Shell/Fuze Combinations Cross Reference - Continued

Shell		Fuze												Propellants		
		Q		D		CP		CPD		TI		VT				
CC	Model	CC	Model	CC	Model	CC	Model	CC	Model	CC	Model	CC	Model	CC	Model	Charges
US	M864									US	M577			US	M4A1	7
	FCI 155-AU-A									US	M577A1			US	M4A2	7
										US	M762			US	M119A1	8
										US	M762A1			US	M119A2	7R
														US	M203	8R
														US	M203A1	8S
														US	M232	3-5
														US	M232A1	3-5
US	M864A1									US	M577			US	M4A1	7
	FCI 155-AU-A									US	M577A1			US	M4A2	7
										US	M762			US	M119A1	8
										US	M762A1			US	M119A2	7R
														US	M203	8R
														US	M203A1	8S
														US	M232	3-5
														US	M232A1	3-5
US	M549	US	M557	US	M557	US	MK399	US	MK399	US	M582	US	M732A2	US	M4A1	7
	FCI 155-AO-A	US	M739	US	M739					US	M582A1	US	M782	US	M4A2	7
		US	M739A1	US	M739A1					US	M767			US	M119A1	8
		US	M782	US	M782					US	M767A1			US	M119A2	7R
		US	MK399	US	MK399					US	M782			US	M232	3-4
		US*	M582											US	M232A1	3-4
		US*	M582A1													
		US*	M767													
		US*	M767A1													
		US*	M732A2													
US	M549A1	US	M557	US	M557	US	MK399	US	MK399	US	M582	US	M732A2	US	M4A1	7
	FCI 155-AO-A	US	M739	US	M739					US	M582A1	US	M782	US	M4A2	7
		US	M739A1	US	M739A1					US	M767			US	M119A1	8
		US	M782	US	M782					US	M767A1			US	M119A2	7R
		US	MK399	US	MK399					US	M782			US	M203	8R
		US*	M582											US	M203A1	8S
		US*	M582A1											US	M232	3-5
		US*	M767											US	M232A1	3-5
		US*	M767A1													
		US*	M732A2													
US	M485A1									US	M565			US	M3A1	3-5
	FCI 155-AM-B									US	M577			US	M4A1	3-7
	Supplement 5									US	M577A1			US	M4A2	3-7
										US	M762			US	M119A1	8
										US	M762A1			US	M119A2	7R
														US	M231	1-2
														US	M232	3-4
														US	M232A1	3-4

US*-TI or VT fuzes in the point detonating mode

N-4 AFCS OPERATING CONTROLS AND INDICATORS - CONTINUED

Table N-6. U.S Shell/Fuze Combinations Cross Reference - Continued

Shell		Fuze												Propellants		
		Q		D		CP		CPD		TI		VT				
CC	Model	CC	Model	CC	Model	CC	Model	CC	Model	CC	Model	CC	Model	CC	Model	Charges
US	M485A2									US	M565			US	M3A1	3-5
	FCI 155-AM-B									US	M577			US	M4A1	3-7
	Supplement 5									US	M577A1			US	M4A2	3-7
										US	M762			US	M119A1	8
										US	M762A1			US	M119A2	7R
														US	M231	1-2
														US	M232	3-4
														US	M232A1	3-4
US	M898									US	M577A1			US	M3A1	3-5
	FCI 155-AR-A									US	M762A1			US	M4A1	3-7
	Supplement 7													US	M4A2	3-7
														US	M119A1	8
														US	M119A2	7R
														US	M203	8R
														US	M203A1	8S
														US	M231	1-2
														US	M232	3-5
														US	M232A1	3-5
US	M110 (WP)	US	M557	US	M557					US	M564			US	M3A1	3-5
	FCI 155-AM-B	US	M739	US	M739					US	M582			US	M4A1	3-7
	Supplement 1	US	M739A1	US	M739A1					US	M582A1			US	M4A2	3-7
		US	M782	US	M782					US	M767			US	M119A1	8
		US*	M582							US	M767A1			US	M119A2	7R
		US*	M582A1							US	M782			US	M231	1-2
		US*	M564											US	M232	3-4
		US*	M767											US	M232A1	3-4
		US*	M767A1													
US	M110A1 (WP)	US	M557	US	M557					US	M564			US	M3A1	3-5
	FCI 155-AM-B	US	M739	US	M739					US	M582			US	M4A1	3-7
	Supplement 1	US	M739A1	US	M739A1					US	M582A1			US	M4A2	3-7
		US	M782	US	M782					US	M767			US	M119A1	8
		US*	M582							US	M767A1			US	M119A2	7R
		US*	M582A1							US	M782			US	M231	1-2
		US*	M564											US	M232	3-4
		US*	M767											US	M232A1	3-4
		US*	M767A1													
US	M110A2 (WP)	US	M557	US	M557					US	M564			US	M3A1	3-5
	FCI 155-AM-B	US	M739	US	M739					US	M582			US	M4A1	3-7
	Supplement 1	US	M739A1	US	M739A1					US	M582A1			US	M4A2	3-7
		US	M782	US	M782					US	M767			US	M119A1	8
		US*	M582							US	M767A1			US	M119A2	7R
		US*	M582A1							US	M782			US	M231	1-2
		US*	M564											US	M232	3-4
		US*	M767											US	M232A1	3-4
		US*	M767A1													
US	M116A1/HC									US	M565			US	M3A1	3-5
	FCI 155-AM-B									US	M577			US	M4A1	3-7
	Supplement 2									US	M577A1			US	M4A2	3-7
										US	M762			US	M119A1	8
										US	M762A1			US	M119A2	7R
														US	M231	1-2
														US	M232	3-4
														US	M232A1	3-4

US*-TI or VT fuzes in the point detonating mode

N-4 AFCS OPERATING CONTROLS AND INDICATORS - CONTINUED

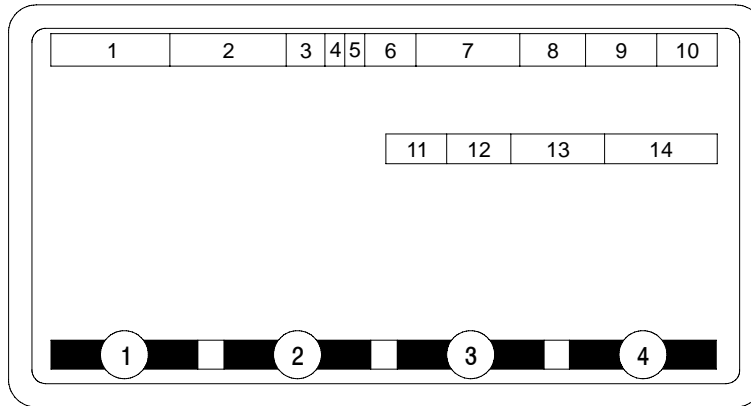
Table N-6. U.S Shell/Fuze Combinations Cross Reference - Continued

Shell		Fuze												Propellants		
		Q		D		CP		CPD		TI		VT				
CC	Model	CC	Model	CC	Model	CC	Model	CC	Model	CC	Model	CC	Model	CC	Model	Charges
US	M825									US	M577			US	M3A1	3-5
	FCI 155-AR-A									US	M577A1			US	M4A1	3-7
	Supplement 5									US	M762			US	M4A2	3-7
										US	M762A1			US	M119A1	8
														US	M119A2	7R
														US	M231	1-2
														US	M232	3-4
														US	M232A1	3-4
US	M825A1									US	M577			US	M3A1	3-5
	FCI 155-AR-A									US	M577A1			US	M4A1	3-7
	Supplement 5									US	M762			US	M4A2	3-7
										US	M762A1			US	M119A1	8
														US	M119A2	7R
														US	M203	8R
														US	M203A1	8S
														US	M231	1-2
														US	M232	3-5
														US	M232A1	3-5
US	DM702									US	M762A1			US	M232	3-5
	FCI 155-AR-A													US	M232A1	3-5
	Supplement 9															
US	DM702A1									US	M762A1			US	M232	3-5
	FCI 155-AR-A													US	M232A1	3-5
	Supplement 9															
US	155BONUS									US	M577			US	M232	3-5
	FCI 155-AU-A									US	M577A1			US	M232A1	3-5
	Supplement 2									US	M762					
										US	M762A1					
US	O155ACF1BO-NUS									US	M577			US	M232	3-5
	FCI 155-AU-A									US	M577A1			US	M232A1	3-5
	Supplement 2									US	M762					
										US	M762A1					

N-4 AFCS OPERATING CONTROLS AND INDICATORS - CONTINUED

Function Key Labels- This block is used to identify the function of the four softkeys.

Softkey messages and task actions are also displayed in this area to give the AFCS operator a means of keeping track of various AFCS related actions during Fire Control operation. Typical messages are shown below:



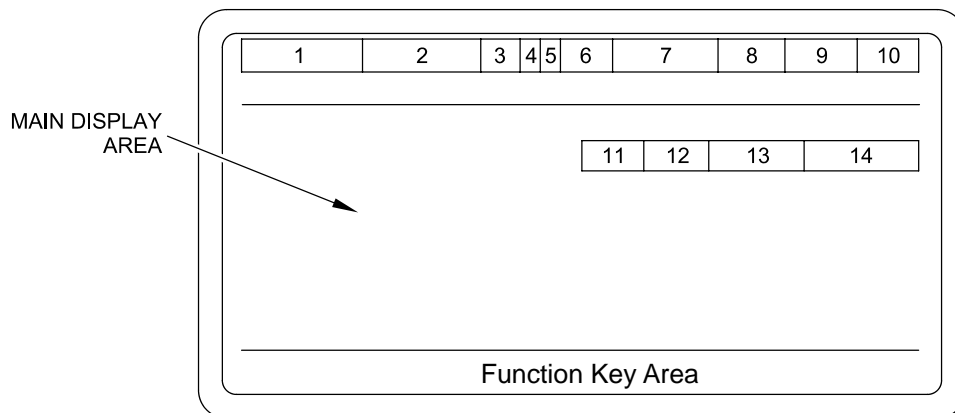
06pc088m

- | | |
|--|---|
| <p>① Function Key 1, indicates what may appear in this field.
 SELECT
 NEXT MSG
 +/-
 MARK
 ADJ
 PREV
 MENU
 VERIFY
 PREV</p> | <p>③ Function Key 3, indicates what may appear in this field.
 CHECK
 DELETE
 YES
 USE GPS
 EMPLACE
 STEERTO
 FFE2
 SEND
 CLEAR
 EXPECTED</p> |
| <p>② Function Key 2, indicates what may appear in this field.
 USE ALL
 FINISHED
 NEXT PAGE
 +/-
 FINISHED
 USE LOCAL
 FFE1
 INVENTORY
 ARRIVED
 UPDATE EFC
 CLEAR</p> | <p>④ Function Key 4, indicates what may appear in this field.
 CANCEL
 ACK
 EOM
 NO
 CONTINUE
 MOVING
 EXIT
 ABORT</p> |

N-4 AFCS OPERATING CONTROLS AND INDICATORS - CONTINUED

Table N-7. Urgent Messages

Audio Alert	Operator Alert/Message	Cause	Removal Conditions	Operator Notes
Type 2	"PALADIN CHECK-FIRED" "ACK"	The Paladin received a "Check Fire All" or "Check Fire By Target Number".	Operator presses "ACK"	<p>If the Paladin received a "CHECK FIRE ALL", all fire missions will be stopped until a "CANCEL CHECK FIRE ALL" message is received from the FDC.</p> <p>If the Paladin received a "CHECK FIRE TARGET", the fire mission with the matching target number will be stopped until a "CANCEL CHECK FIRE TARGET" message is received with a matching target ID is received from the FDC.</p>



06pc088mf

N-4 AFCS OPERATING CONTROLS AND INDICATORS - CONTINUED

Table N-8. High Priority Messages

Audio Alert	Operator Alert/Message	Cause	Removal Conditions	Operator Notes
Type 1	"FIRE"	The Paladin received a "Fire" command (At My Command) or is in a Time On Target Mission, and the TOT countdown timer reaches 0.	"SHOT" is detected (softkey, DRUH, or MVS), operator aborts, Checkfire by Target Number, Check-fire All, or End Of Mission is received.	Fire the mission.
Type 2	"ALIGN ABORTED RESTART REQD" "ACK"	The DRUH was unable to complete align.	Operator presses "ACK"	NOTE: During the first 90 seconds of align, motion or performing a VMS test may cause the DRUH to abort. Perform a NAV restart.
Type 2	"AUX BATTERY NOT CONNECTED" "ACK"	AUX battery isn't connected or a PCU failure has occurred.	Operator presses "ACK"	On PCU, check AUX Battery connections and circuit breakers.
Type 2	"AUX POWER LOW" "ACK"	The PCU reports vehicle power voltage is getting low and the AUX battery can't support operation.	Operator presses "ACK"	Start vehicle to charge batteries.
Type 2	"FIRE MISSION RCVD" "ACCEPT" "REJECT"	A Fire Mission was received while AFCS was in Maintenance mode.	Operator presses "ACCEPT" or "REJECT"	Acceptance of the Fire Mission terminates all maintenance functions and continues the Fire Mission. Rejection of the Fire Mission forces a tube clear, aborts the Fire Mission, and continues maintenance functions.
Type 2	"FIRE MISSION RECEIVED" "ACK"	A new Fire Mission (not operator initiated) or a continuation of an active mission was received.	Operator presses "ACK"	AFCS transitions to the Fire Mission screen and continues Fire Mission Processing.
Type 2	"MOVE MISSION RECEIVED" "ACK"	A move mission was received from the FDC.	Operator presses "ACK"	AFCS transitions to the Move Order screen and continues move mission processing.
Type 2	"MOVE ORDER RECEIVED" "ACK"	A Move Order was received.	Operator presses "ACK"	Start the Move Order.

N-4 AFCS OPERATING CONTROLS AND INDICATORS - CONTINUED

Table N-8. High Priority Messages - Continued

Audio Alert	Operator Alert/Message	Cause	Removal Conditions	Operator Notes
Type 2	"NAV CONFLICT-UPDATE NAV" "ACK"	An unexplained and unreasonable change in DRUH position was detected.	Operator presses "ACK"	Perform a NAV Update.
Type 2	"NAV EXCESSIVE RATE RESTART REQ" "ACK"	Excessive vehicle motion caused the DRUH to lose accuracy.	Operator presses "ACK"	Perform a NAV Restart.
Type 2	"NAV OUT, DRU BIT FAIL" "ACK"	The DRUH reports a BIT failure.	Operator presses "ACK"	Cycle AFCS power. If the fault does not clear, notify unit maintenance.
Type 2	"NAV OUT, DRU DISCONNECT" "ACK"	The ACU has lost communications with the DRUH.	Operator presses "ACK"	If DRUH does not "hum", check power cable connections and PCU circuit breakers. Perform a System Restart when power is restored. If DRUH "hums", check W-17A connections and perform a NAV Restart. If problem persists, notify unit maintenance.
Type 2	"NAV OUT, DRU INERTIAL FAIL" "ACK"	DRUH BIT reported Inertial Fail.	Operator presses "ACK"	Cycle AFCS power. If the problem persists, notify unit maintenance.
Type 2	"NAV OUT, DRU OP FAIL" "ACK"	ACU detected abnormal DRUH data.	Operator presses "ACK"	NOTE: During the first 90 seconds of a NAV Restart, performing a VMS test may trigger a DRU OP FAIL. Perform a System Restart.
Type 2	"NAV OUT, NSP DISCONNECT" "ACK"	Displayed when the Critical Error signal is generated within the software.	Operator presses "ACK"	Check NAV connections and perform a NAV Restart.
Type 2	"NAV OUT, NSP POWER UP BIT" "ACK"	The ACU NAV subsystem interface has failed or has not initialized correctly.	Operator presses "ACK"	Perform a System Restart. If failure repeats, notify unit maintenance.
Type 2	"ON AUX POWER START VEHICLE" "ACK"	PCU reports operating on AUX battery because vehicle voltage is too low.	Operator presses "ACK"	Start vehicle engine to charge batteries.

N-4 AFCS OPERATING CONTROLS AND INDICATORS - CONTINUED

Table N-8. High Priority Messages - Continued

Audio Alert	Operator Alert/Message	Cause	Removal Conditions	Operator Notes
Type 2	"OVERRIDE AZ LIMITS" "YES" "NO"	The tube has exceeded traverse limits when its position is +/-45 degrees (+/-3 degrees) from the defined stow azimuth.	Operator selects "YES" or "NO"	If YES is selected, the Lay key will continue to function while holding the OVERRIDE switch. The override will be in effect until the tube is within traverse limits. If NO is selected, the Lay key will no longer function. If NO is selected in error, the howitzer will have to be layed with either the hand wheels or the power control handles.
Type 2	"POWER FAILURE SHUTDOWN"	PCU reports vehicle and AUX battery voltages are too low to sustain operation.	No operator action required.	The AFCS will shutdown automatically.
Type 2	"VEHICLE AND AUX POWER OK" "ACK"	PCU reports both vehicle and back up battery are ok after a problem has been corrected.	Operator presses "ACK"	No further action is required.

N-4 AFCS OPERATING CONTROLS AND INDICATORS - CONTINUED

Table N-9. Low Priority Messages with Audio Alerts

Audio Alert	Operator Alert/Message	Cause	Removal Conditions	Operator Notes
Type 2	"BORESIGHT UPDT RJTD VEH MOVING" "ACK"	Motion detected during DRUH boresight angle entry.	Operator presses "ACK"	Ensure Paladin is stationary and re-enter boresight angles.
Type 2	"CC MISMATCH" "ACK"	Country Codes (CC) for the selected shells and propellants do not match.	Operator presses "ACK"	Resolve the country code mismatch between the projectile and propellant.
Type 2	"CHK DATA BASE BAD DATA DETECTED" "ACK"	The value of one or more NVM data elements was found to be out of range during initialization.	Operator presses "ACK"	The AFCS discards NVM data and initializes the database to default values. The operator must manually enter all NVM data (i.e. ammo, location, prop temp, etc.).
Type 2	"CLOCK UPDATE RJTD FM ACTIVE" "ACK"	A Date/Time Update was attempted while a Fire Mission was active.	Operator presses "ACK"	Complete or abort the Fire Mission before changing Date/Time settings.
Type 2	"COMMO OUT" "ACK"	A known operational CP has failed.	Operator presses "ACK"	Cycle AFCS power.
Type 2	"DEPARTED FIRE AREA RADIUS" "ACK"	The Paladin leaves the Fire Area without a current move order.	Operator presses "ACK"	No further action required.
Type 2	"DIRECT FIRE RJTD TGT COMP ERR" "ACK"	A value greater than (-) 400 is entered in the Up/Down selection of the Direct Fire Display.	Operator presses "ACK"	Verify target information and re-enter as needed.
Type 2	"DRU CONNECTED" "ACK"	The PDCU has re-established communication with the DRUH.	Operator presses "ACK"	No further action required.
Type 2	"DRU NO LONGER OVERTEMP" "ACK"	The DRUH is no longer in an Over-temp state.	Operator presses "ACK"	If in an active Fire Mission, this message will be pended until EOM.
Type 2	"DRU OVERTEMP" "ACK"	The DRUH is too hot and may turn off to protect itself.	Operator presses "ACK"	If in an active Fire Mission, this message will be pended until EOM.

N-4 AFCS OPERATING CONTROLS AND INDICATORS - CONTINUED**Table N-9. Low Priority Messages with Audio Alerts - Continued**

Audio Alert	Operator Alert/Message	Cause	Removal Conditions	Operator Notes
Type 2	"DTG OUT OF SYNC-URN NNNNNNNN" "ACK"	A subscriber within the subscriber table has a DTG that is not in sync with the Paladin.	Operator presses "ACK"	Note: NNNNNNNN represents the URN of the subscriber that is out of sync with the Paladin. The operator must verify the current DTG.
Type 2	"ENTERED FIRE AREA RADIUS" "ACK"	The Paladin is in a current move order and enters the Fire Area.	Operator presses "ACK"	Select a suitable fire position, orient Paladin on the azimuth of fire, and conduct arrival processing.
Type 2	"FIRE CONTROL ALIGN REQUIRED" "ACK"	Boresight angles have not been stored or those stored in PDCU and DRUH differ.	Operator presses "ACK"	Perform Fire Control Align.
Type 2	"FIRE CONTROL INFO RCVD" "ACK"	The operator has entered boresight angles into the AFCS.	Operator presses "ACK"	No further action required.
Type 2	"FIRE MISSION RJTD FM ACTIVE" "ACK"	A Direct Fire mission was attempted while in an active Fire Mission.	Operator presses "ACK"	Wait until Fire Mission is ended before attempting a Direct Fire mission.
Type 2	"FIRE MISSION RJTD IN CHECKFIRE" "ACK"	A Direct Fire mission was attempted while in Checkfire Target or Checkfire All.	Operator presses "ACK"	Wait until Cancel Checkfire Target or Cancel Checkfire All is received before attempting a Direct Fire mission.
Type 2	"FIRE MISSION RJTD NAV NOT INIT" "ACK"	A Direct Fire mission was attempted before the "OK TO MOVE OR SHOOT" message was displayed.	Operator presses "ACK"	Verify the NAV subsystem has been initialized with a NAV Update or Restart and wait for the "OK TO MOVE OR SHOOT" message before initiating a Direct Fire mission.
Type 2	"FIRE MISSION RJTD TGT COMP ERR" "ACK"	Calculated target altitude is below 400 meters based on entries in the Direct Fire Display.	Operator presses "ACK"	Verify target information and re-enter as needed.
Type 2	"GPS ANTENNA FAULT" "ACK"	A GPS Antenna Fault was detected.	Operator presses "ACK"	Check cable connections between GPS receiver and antenna. If in an active Fire Mission, this message will be pended until EOM.

N-4 AFCS OPERATING CONTROLS AND INDICATORS - CONTINUED**Table N-9. Low Priority Messages with Audio Alerts - Continued**

Audio Alert	Operator Alert/Message	Cause	Removal Conditions	Operator Notes
Type 2	"GPS ANTENNA OK" "ACK"	A GPS Antenna Fault was corrected.	Operator presses "ACK"	If in an active Fire Mission, this message will be pended until EOM.
Type 2	"GPS CONNECTED" "ACK"	The DRUH re-established communications with the GPS receiver.	Operator presses "ACK"	If in an active Fire Mission, this message will be pended until EOM.
Type 2	"GPS OPERATIONAL" "ACK"	A GPS failure was corrected.	Operator presses "ACK"	If in an active Fire Mission, this message will be pended until EOM.
Type 2	"GPS OUT-DISCONNECTED" "ACK"	The DRUH lost communications with the GPS receiver.	Operator presses "ACK"	Check power and signal cable connections to the GPS receiver and verify the receiver is turned on. If in an active Fire Mission, this message will be pended until EOM.
Type 2	"GPS OUT-FAILED" "ACK"	The GPS receiver reported a BIT failure.	Operator presses "ACK"	Disconnect data cable from GPS receiver and run GPS receiver self test. If in an active Fire Mission this message will be pended until EOM.
Type 2	"GPS UNKEYED" "ACK"	The GPS receiver doesn't have a valid crypto key loaded.	Operator presses "ACK"	Have a valid crypto key loaded into the GPS receiver. If in an active Fire Mission, this message will be pended until EOM.
Type 2	"GUN SWITCH FAULT" "ACK"	Hardware BIT detected a GUN (servo) switch fault.	Operator presses "ACK"	Check to see if the GUN SWITCH is in the up (on) position. If YES, place the Gun Switch in the down (off) position and perform a system restart. If the Gun Switch is in the down (off) position, notify unit maintenance.
Type 2	"INP/GPS ALT EXCESSIVE" "ACK"	Altitude in a NAV Update or Restart deviates too much from the current GPS altitude.	Operator presses "ACK"	Verify current location, re-enter, and perform NAV Update or Restart. A second update may be accepted if the entered values remain the same.
Type 2	"INP/GPS ALT REJECTED" "ACK"	Altitude in a NAV Update or Restart deviates too much from the current GPS altitude.	Operator presses "ACK"	Verify current location, re-enter, and perform NAV Update or Restart. A second update will be rejected if the entered values remain the same.
Type 2	"INP/GPS DELTA TOO LARGE" "ACK"	The DRUH returned an incorrect response to a NAV Update or Restart.	Operator presses "ACK"	Cycle AFCS power.

N-4 AFCS OPERATING CONTROLS AND INDICATORS - CONTINUED**Table N-9. Low Priority Messages with Audio Alerts - Continued**

Audio Alert	Operator Alert/Message	Cause	Removal Conditions	Operator Notes
Type 2	"INP/GPS N/E EXCESSIVE" "ACK"	Horizontal position in a NAV Update or Restart deviates too much from the current GPS position.	Operator presses "ACK"	Verify current location, re-enter, and perform NAV Update or Restart. A second update may be accepted if the entered values remain the same.
Type 2	"INP/GPS N/E REJECTED" "ACK"	Horizontal position in a NAV Update or Restart deviates too much from the current GPS position.	Operator presses "ACK"	Verify current location, re-enter, and perform NAV Update or Restart. A second update will be rejected if the entered values remain the same.
Type 2	"INP/NAV ALT EXCESSIVE" "ACK"	Entered altitude value exceeds the current DRUH acceptance criteria.	Operator presses "ACK"	Verify current location and perform NAV Update. If the values remain the same, the DRUH will accept the update the second time.
Type 2	"INP/NAV ALT REJECTED" "ACK"	Entered altitude value exceeds the current DRUH acceptance criteria.	Operator presses "ACK"	Verify current location and perform NAV Update. If the values remain the same, the DRUH will accept the update the second time.
Type 2	"INP/NAV N/E EXCESSIVE" "ACK"	Entered northing and easting values are outside the current DRUH acceptance criteria.	Operator presses "ACK"	Verify current location and perform NAV Update. If the values remain the same, the DRUH will accept the update the second time.
Type 2	"INP/NAV N/E REJECTED" "ACK"	Entered northing and easting values are outside the current DRUH acceptance criteria.	Operator presses "ACK"	Verify current location and perform NAV update. If the values remain the same, the DRUH will reject the second update.
Type 2	"INVALID OPERATIONAL MODE" "ACK"	Selection of an invalid operational mode (Normal Operations, Maintenance, Training) was attempted.	Operator presses "ACK"	No further action required.
Type 2	"INVALID SOFTWARE CONFIGURATION" "ACK"	The software configuration is not valid.	Operator presses "ACK"	The AFCS will continue to the Normal Operations mode selection screen.
Type 2	"MANUAL COMMANDS RJTD CHECKFIRE" "ACK"	A Manual Commands Fire Mission was received while in CHECKFIRE.	Operator presses "ACK"	NOTE: This warning will be displayed only if the CHECKFIRE originated from the Paladin. No further action required.

N-4 AFCS OPERATING CONTROLS AND INDICATORS - CONTINUED

Table N-9. Low Priority Messages with Audio Alerts - Continued

Audio Alert	Operator Alert/Message	Cause	Removal Conditions	Operator Notes
Type 2	"MANUAL COMMANDS RJTD FM ACTIVE" "ACK"	A Manual Commands Fire mission was received while in an active Fire Mission.	Operator presses "ACK"	No further action required.
Type 2	"MINIMUM QE NO LONGER VIOLATED" "ACK"	The tube returned above Min QE after the "Minimum QE Violated" warning was displayed.	Operator presses "ACK"	No further action required.
Type 2	"MINIMUM QE VIOLATED" "ACK"	While in an active Fire Mission and Load or Lay command forces tube below Min QE and volley is not Direct Fire.	Operator presses "ACK"	Determine if mission is safe to shoot and accept or abort as needed.
Type 2	"MVS OUT or MVS BUS OUT" "ACK"	If the MVS was operational and either the data in the status message indicates a failure or the AFCS and MVS are no longer communicating, this alert will be displayed to the operator.	Operator presses "ACK"	The Paladin will no longer record MVV data. All MVVs will have to be received from FDC to be applied to Paladin computed Fire Missions.
Type 2	"MVV DATABASE FULL," "ACK"	The MVV database is full and the next MVV measured will be lost.	Operator presses "ACK"	If the operator takes no action to eliminate the saturation condition, velocity data from the MVS will be discarded until the condition is eliminated. Operator must delete MVV entries.
Type 2	"MVV DB ALMOST FULL" "ACK"	The MVV database is 95% full.	Operator presses "ACK"	If the operator takes no action to eliminate the saturation condition, velocity data from the MVS will be discarded until the condition is eliminated. Operator must delete MVV entries.
Type 2	"MVV DB FULL-DATA LOST" "ACK"	A MVV was recorded but could not be stored in database and was lost.	Operator presses "ACK"	If the operator takes no action to eliminate the saturation condition, velocity data from the MVS will be discarded until the condition is eliminated. Operator must delete MVV entries.

N-4 AFCS OPERATING CONTROLS AND INDICATORS - CONTINUED

Table N-9. Low Priority Messages with Audio Alerts - Continued

Audio Alert	Operator Alert/Message	Cause	Removal Conditions	Operator Notes
Type 2	"NAV POS UPDATE NO LONGER REQ" "ACK"	The DRUH accepted a NAV update or valid GPS aiding data.	Operator presses "ACK"	No further action required.
Type 2	"NAV POS UPDATE REQUESTED" "ACK"	The DRUH requests a Position Update to restore accuracy.	Operator presses "ACK"	Perform a NAV Update.
Type 2	"NAV RESTART RJTD FM ACTIVE" "ACK"	A NAV Restart is pending and a fire mission is activated before the restart is executed.	Operator presses "ACK"	Complete or abort the Fire Mission and perform a NAV Restart.
Type 2	"NAV RESTART RJTD NAV OUT" "ACK"	NAV subsystem fails before a pending NAV Restart is executed.	Operator presses "ACK"	Cycle AFCS power.
Type 2	"NAV RESTART RJTD VEH MOVING" "ACK"	Motion detected while DRUH was processing a NAV restart.	Operator presses "ACK"	Ensure vehicle is stationary and perform NAV Restart.

N-4 AFCS OPERATING CONTROLS AND INDICATORS - CONTINUED

Table N-9. Low Priority Messages with Audio Alerts - Continued

Audio Alert	Operator Alert/Message	Cause	Removal Conditions	Operator Notes
Type 2	"NET BUSY XXXXXX" "RETRY" "NO RETRY"	This message will be displayed for ANY Paladin transmitted message (i.e. AMMO, REQ AMMO, CHECKFIRE, FREE TEXT, VEH STS, REQ VEH STS, REQ INIT, SITE DATA, REQ SITE, REQ MOV ORD, MTO TOF, MTO DENY, MVV, REQ MVV, READY, ROUND COMP, SHOT, SPLASH, TARGET FILE, GEOMETRIES, RECORD OF FIRE, QUERY, POSITION REPORT and UTE BAT) if Net Busy (more than 55 messages in progress) is detected.	Operator selects "RETRY" or "NO RETRY"	If "RETRY" is selected, the AFCS will attempt to retransmit the message. If "NO RETRY" is selected, the attempt to retransmit will be aborted.
Type 2	"NET CONFIG UPDTE RJTD FM ACTIVE" "ACK"	A Network Configuration Update is pending and a fire mission is received before the network access parameters have been processed.	Operator presses "ACK"	Complete or abort the Fire Mission before changing Network settings.
Type 2	"NETWORK COMMO OUT" "ACK"	A previously operational Radio Network Controller has failed.	Operator presses "ACK"	Perform a System Restart.

N-4 AFCS OPERATING CONTROLS AND INDICATORS - CONTINUED

Table N-9. Low Priority Messages with Audio Alerts - Continued

Audio Alert	Operator Alert/Message	Cause	Removal Conditions	Operator Notes
Type 2	"NO ACK XXXXXX" "RETRY" NO RETRY"	An ACK for a message Paladin transmitted to a subscriber was not received (i.e. AMMO, REQ AMMO, CHECKFIRE, FREE TEXT, VEH STS, REQ VEH STS, REQ INIT, SITE DATA, REQ SITE, REQ MOV ORD, MTO TOF, MTO DENY, MVV, REQ MVV, READY, ROUND COMP, SHOT, SPLASH, TARGET FILE, GEOMETRIES, RECORD OF FIRE, QUERY, POSITION RE-PORT and UTE BAT).	Operator selects "RETRY" or "NO RETRY"	If "RETRY" is selected, the AFCS will retransmit the message. If "NO RETRY" is selected, the attempt to transmit will be aborted.
Type 2	"NO BALLISTIC SOLUTION" "ACK"	The operator has entered fire mission data (i.e. target location, target altitude and shell/fuze combination) and the AFCS has failed to determine a ballistic solution.	Operator presses "ACK"	Once "ACK" is pressed, the operator will be allowed to edit all fields on PALADIN FIRE COMMANDS ENTRY display. Verify fire mission data and re-enter as needed.
Type 2	"NO LEGAL AMMO INV COMBINATION" "ACK"	There is no legal shell/fuze combination in inventory, based on the generic shell/fuze combination selected by the operator, for a Paladin Computed Fire Commands fire mission.	Operator presses "ACK"	Edit the PALADIN FIRE COMMANDS ENTRY display.

N-4 AFCS OPERATING CONTROLS AND INDICATORS - CONTINUED

Table N-9. Low Priority Messages with Audio Alerts - Continued

Audio Alert	Operator Alert/Message	Cause	Removal Conditions	Operator Notes
Type 2	"OK TO MOVE OR SHOOT" "ACK"	The Initial howitzer location has been established and the NAV subsystem is aligned in survey.	Operator presses "ACK"	No further action required.
Type 2	"PALADIN COMMO OUT XMIT RJTD" "ACK"	A CP failure prevents transmission of a message to the FDC.	Operator presses "ACK"	Perform a System Restart and re-try transmitting the message.
Type 2	"PDIU WARNING RECEIVED" "ACK"	A PDIU high priority warning has been received.	Operator presses "ACK"	The AFCS will display "W" in inverse video on top line of the screen, to prompt the operator to check warning messages.
Type 2	"PDIU OUT OR PDIU BUS OUT" "ACK"	PDIU was operational and then a PDIU failure is detected.	Operator presses "ACK"	Perform System Restart to attempt to restore PDIU.
Type 2	"POS UPDATE INTERRUPTED" "ACK"	DRUH detected motion when a NAV Update or Restart was in progress.	Operator presses "ACK"	Ensure vehicle is stationary, verify current location, and perform NAV Update or Restart.
Type 2	"POS UPDATE RJTD FM ACTIVE" "ACK"	A fire mission is activated before a pending NAV Update or Restart has executed.	Operator presses "ACK"	ABORT or complete fire mission and perform NAV Update or Restart.
Type 2	"POS UPDATE RJTD HOWITZER MOVG" "ACK"	DRUH detected vehicle motion during a NAV Update.	Operator presses "ACK"	Ensures vehicle is stationary and perform NAV update or restart.
Type 2	"POS UPDATE RJTD NAV OUT" "ACK"	NAV subsystem fails before a NAV Update can be processed.	Operator presses "ACK"	Cycle AFCS power.
Type 2	"POSITION UPDATE BEYOND ZONE" "ACK"	Position in a NAV Update or Restart is outside the (extended) UTM zone boundaries.	Operator presses "ACK"	Verify current location, re-enter, and perform NAV Update or Restart.
Type 2	"POSITION UPDATE REQUIRED" "ACK"	DRUH requests a NAV Update to restore accuracy.	Operator presses "ACK"	Verify current location and perform a NAV Update.

N-4 AFCS OPERATING CONTROLS AND INDICATORS - CONTINUED**Table N-9. Low Priority Messages with Audio Alerts - Continued**

Audio Alert	Operator Alert/Message	Cause	Removal Conditions	Operator Notes
Type 2	"PRESS ACK WHEN TUBE STOWED" "ACK"	Paladin has moved since arrival processing was performed.	Operator presses "ACK"	Verify gun tube is stowed before pressing "ACK". Pressing "ACK" notifies the DRUH that it can use VMS aiding to extend time between ZUPT stops.
Type 2	"PRESS LOAD THEN READY" "ACK"	Displayed when a fire mission is an XM982 or M982 and the Method of Control is DNL.	Operator presses "ACK"	Ensure the XM982 or M982 projectile is on the loading tray, at the correct load elevation, and unrammed. Then press the "READY" softkey.
Type 2	"PROP TEMP UPDATE PENDED" "ACK"	Prop Temp was updated while a Fire Mission was active.	Operator presses "ACK"	The "PROP TEMP UPDATE" message will be pended until EOM is received.
Type 2	"PROP TEMP UPDATE REQUIRED" "ACK"	The Prop Temp Update time has expired since last entered.	Operator presses "ACK"	If in an active Fire Mission, the "PROP TEMP UPDATE REQUIRED" message will be pended until EOM.
Type 2	"RANGE TOO FAR" "ACK"	The Target Location entered during an Operator Initiated Fire Mission can not be reached with Ammo currently in inventory.	Operator presses "ACK"	Once "ACK" is pressed, the operator shall be allowed to edit all fields on PALADIN FIRE COMMANDS ENTRY display. Verify the coordinates and re-enter, otherwise, this mission is not supportable from the current location.
Type 2	"RESTART REQUIRED" "ACK"	An AFCS software fault was detected.	Operator presses "ACK"	Perform a System Restart.
Type 2	"RESTART RJTD BAD POS" "ACK"	This message is displayed if the NAV system components do not agree upon the current howitzer location.	Operator presses "ACK"	Verify current position.
Type 2	"SIMULATED COMMO FAILURE" "ACK"	While in Embedded Training Level 4, a simulated commo failure occurs.	Operator presses "ACK"	Press the "ACK" softkey to continue. Pressing the "Secret" non-illuminated softkeys 2 or 3 on AFCS STATUS display will clear all simulated failures.
Type 2	"SIMULATED COMMO FAILURE" "CLEAR"	While in Embedded Training Level 3, a simulated commo failure occurs.	Operator selects "Clear"	Press the "CLEAR" softkey to continue. This will clear all simulated failures.

N-4 AFCS OPERATING CONTROLS AND INDICATORS - CONTINUED

Table N-9. Low Priority Messages with Audio Alerts - Continued

Audio Alert	Operator Alert/Message	Cause	Removal Conditions	Operator Notes
Type 2	"SIMULATED ELECTRICAL FAILURE" "ACK"	While in Embedded Training Level 4, a simulated Electrical failure occurs.	Operator presses "ACK"	Press the "ACK" softkey to continue. Pressing the "Secret" non-illuminated softkeys 2 or 3 on AFCS STATUS display will clear all simulated failures.
Type 2	"SIMULATED ELECTRICAL FAILURE" "CLEAR"	While in Embedded Training Mode Level 3, a simulated electrical failure occurs.	Operator selects "CLEAR"	Press the "CLEAR" softkey to continue. This will clear all simulated failures.
Type 2	"SIMULATED FAILURES CLEARED" "ACK"	Operator cleared simulated failures while in Embedded Training Level 4.	Operator presses "ACK"	Press softkey 2 or 3 to clear simulated failures and display this alert.
Type 2	"SIMULATED HYDRAULIC FAILURE" "ACK"	While in Embedded Training Level 4, a simulated hydraulic failure occurs.	Operator presses "ACK"	Press the "ACK" softkey to continue. Pressing the "Secret" non-illuminated softkeys 2 or 3 on AFCS STATUS display will clear all simulated failures.
Type 2	"SIMULATED HYDRAULIC FAILURE" "CLEAR"	While in Embedded Training Level 3, a simulated hydraulic failure occurs.	Operator selects "CLEAR"	Press the "CLEAR" softkey to continue. This will clear all simulated failures.
Type 2	"SIMULATED NAV FAILURE" "ACK"	While in Embedded Training Level 4, a simulated NAV failure occurs.	Operator presses "ACK"	Press the "ACK" softkey to continue. Pressing the "Secret" non-illuminated softkeys 2 or 3 on AFCS STATUS display will clear all simulated failures.
Type 2	"SIMULATED NAV FAILURE" "CLEAR"	While in Embedded Training Mode Level 3, a simulated NAV failure occurs.	Operator selects "CLEAR"	Press the "CLEAR" softkey to continue. This will clear all simulated failures.
Type 2	"SIMULATED WPN FAILURE" "ACK"	While in Embedded Training Level 4, a simulated weapon failure occurs.	Operator presses "ACK"	Press the "ACK" softkey to continue. Pressing the "Secret" non-illuminated softkeys 2 or 3 on AFCS STATUS display will clear all simulated failures.
Type 2	"SIMULATED WPN FAILURE" "CLEAR"	While in Embedded Training Level 3, a simulated weapon failure occurs.	Operator selects "CLEAR"	Press the "CLEAR" softkey to continue. This will clear all simulated failures.
Type 2	"SITE DEFINITION UPDATE PENDED" "ACK"	Site data was updated while a Fire Mission was active.	Operator presses "ACK"	The "SITE DEFINITION" message will be pended until EOM is received.
Type 2	"TRANSMIT OVERRUN-RESET TCIM" "ACK"	There are more than 55 message transmissions in progress.	Operator presses "ACK"	Reset the TCIM.

N-4 AFCS OPERATING CONTROLS AND INDICATORS - CONTINUED**Table N-9. Low Priority Messages with Audio Alerts - Continued**

Audio Alert	Operator Alert/Message	Cause	Removal Conditions	Operator Notes
Type 2	"TUBE TEMP SENSOR OUT" "ACK"	A previously operational Tube Temperature Sensor has failed.	Operator presses "ACK"	Monitor rates of fire to determine Safe Time In Tube.
Type 2	"UPDATE RJTD WRONG NAV MODE" "ACK"	NAV Update or Restart attempted when GUN SERVO is active or TBD.	Operator presses "ACK"	Perform a System Restart.
Type 2	"VEHICLE MOTION SENSOR GOOD" "ACK"	The VMS passed a DRUH initiated hardware test and operation has been restored.	Operator presses "ACK"	No further action required.
Type 2	"VEHICLE MOTION SENSOR OUT" "ACK"	DRUH BIT declared the VMS Failed.	Operator presses "ACK"	If in an active Fire Mission, the "VEHICLE MOTION SENSOR OUT" message will be pended until EOM.
Type 2	"WPN OUT" "ACK"	The BCWC has failed.	Operator presses "ACK"	Perform a System Restart.
Type 2	"WPN SUBSYSTEM OUT" "ACK"	The Weapon Control portion of the BCWC (WC) has failed.	Operator presses "ACK"	Perform a System Restart.
Type 2	"ZUPT NO LONGER REQUIRED" "ACK"	The DRUH completed a ZUPT or good GPS aiding data became available.	Operator presses "ACK"	No further action required.
Type 2	"ZUPT REQUIRED" "ACK"	The DRUH requests a ZUPT stop to maintain accuracy.	Operator presses "ACK"	Ensure vehicle is stationary and wait approximately 30 seconds for the "ZUPT NO LONGER REQUIRED" "ACK" message to be displayed.

N-4 AFCS OPERATING CONTROLS AND INDICATORS - CONTINUED

Table N-10. Low Priority Messages without Audio Alerts

Audio Alert	Operator Alert/Message	Cause	Removal Conditions	Operator Notes
None	"AZIMUTH OF FIRE NOT IN SECTOR" "ACK"	The entered Azimuth of Fire is outside the entered Sector of Fire.	Operator presses "ACK"	Verify the Sectors and Azimuth of Fire and re-enter as needed.
None	"CEASE LOAD"	Cease load means that loading of rounds is suspended. If a round is already loaded, it may be shot, then loading will cease.	Operator selects "SHOT", "CLEAR" or "CHECK".	If "SHOT" or "CLEAR" is selected, the AFCS will transition to the Verification display. If "CHECK" is selected, normal "CHECKFIRE" processing is followed.
None	"CHANGE COMM CONFIG" "YES" "NO"	Communication Configuration was selected, in the Network Settings Display, and there is an active network already established.	Operator selects "YES" or "NO"	If "YES" is selected, the AFCS transitions to the Standard Communication Configuration display. The operator may select another Network setting and modify as needed. If "NO" is selected, no changes to the Communication Configuration will be made.
None	"CHANGE TO XXXXXX?" "YES" "NO" Where XXXXXX represents "BACK UP" OR "PRIMARY".	The controlling FDC field was selected on the Edit Addresses display.	Operator selects "YES" or "NO"	If "YES" is selected, the controlling FDC will change to either "BACK UP" or "PRIMARY". If "NO" is selected, changes to the controlling FDC will be made and the display will transition to the address line.
None	"CLEAR *ASTERISKS* TO CONTINUE" "ACK"	"USE ALL" was selected while there are fields with asterisks in the Edit Addresses display.	Operator presses "ACK"	Review addresses and enter all required fields to clear all asterisks before selecting "USE ALL." The Fields required are Paladin URN, FDC (control) URN and Station Rank for both.
None	"DEGRADED-ACK TO CONTINUE" "ACK"	A Degraded Power Up status was detected.	Operator presses "ACK"	No further action required unless the degraded item is needed for operation. In which case, troubleshoot and cycle AFCS power.
None	"DELETE ADDRESS" "YES" "NO"	The "DELETE" softkey was selected in the Edit Addresses display.	Operator selects "YES" or "NO"	If "YES" is selected, the boxed Address or Station Rank will be deleted. If "NO" is selected, no changes will be made to the boxed Address or Station Rank.
None	"DISTANCE EXCEEDS 350 KM" "ACK"	A Manual Move Order was entered to a location more than 350KM away.	Operator presses "ACK"	Verify Destination coordinates and re-enter.

N-4 AFCS OPERATING CONTROLS AND INDICATORS - CONTINUED

Table N-10. Low Priority Messages without Audio Alerts - Continued

Audio Alert	Operator Alert/Message	Cause	Removal Conditions	Operator Notes
None	"DOWNLOAD COMPLETE" "ACK"	Download of an ET level 3 or 4 scenario from a local disk completed successfully.	Operator presses "ACK"	No further action required.
None	"DOWNLOAD FAILED" "ACK"	Download of an ET level 3 or 4 scenario from a local disk did not complete successfully.	Operator presses "ACK"	Check connections and re-try.
None	"DUPLICATE ADDRESS" "ACK"	One or more IP/Station addresses are customized in Advanced Communication Settings, which resulted in a duplicate condition.	Operator presses "ACK"	This alert/error may not be noticed until another attempt to change Network settings is made. Advanced Communications Settings should <i>NEVER</i> be used unless directed by FDC. Return to "BASIC MODE" to reset default settings, then select Advanced Mode only if directed by FDC.
None	"DUPLICATE EXTENDED LOT FOUND" "ACK"	A duplicate Propellant Extended Lot was entered.	Operator presses "ACK"	Verify extended Lot and re-enter.
None	"DUPLICATE STATION ADDRESS" "ACK"	One or more IP/Station addresses were customized, in Advanced Communication Settings, which resulted in a duplicate condition.	Operator presses "ACK"	This alert/error may not be noticed until another attempt to change Network settings is made. Advanced Communications Settings should <i>NEVER</i> be used unless directed by FDC. Return to "BASIC MODE" to reset default settings, then select Advanced Mode only if directed by FDC.
None	"DUPLICATE VALUE-REENTER" "ACK"	The same value (URN, station rank or IP address) was entered in the Edit Addresses display.	Operator presses "ACK"	Check and re-enter the last value.
None	"EARLY END OF MISSION"	A Fire Mission is ended before Rounds Complete.	Operator selects "SHOT", "CLEAR", or "CHECK".	If "SHOT" or "CLEAR" is selected, the AFCS will transition to the Verification display. If "CHECK" is selected, normal "CHECKFIRE" processing is followed.
None	"EMPLACEMENT MISSION UPDATED" "ACK"	The Section In Order display has changed; the data will pertain to the FPF.	Operator presses "ACK"	No further action is required.

N-4 AFCS OPERATING CONTROLS AND INDICATORS - CONTINUED

Table N-10. Low Priority Messages without Audio Alerts - Continued

Audio Alert	Operator Alert/Message	Cause	Removal Conditions	Operator Notes
None	"ERROR SEGMENT OVERLAP" "ACK"	The entered Mask data segments overlap.	Operator presses "ACK"	Verify Mask data and re-enter.
None	"ERROR-LEFT AND RIGHT EQUAL" "ACK"	The entered Sectors Of Fire are equal or Mask segments are equal.	Operator presses "ACK"	The Sectors of Fire and the Mask segments can not be equal.
None	"EXCEEDED 84N OR 80S LATITUDE RE-ENTER VALUE" "ACK"	The entered coordinates are outside the UTM area.	Operator presses "ACK"	Verify location and re-enter coordinates.
None	"FPF END OF MISSION"	FPF End Of Mission is received from FDC.	Operator selects "SHOT", "CLEAR", or "CHECK".	If "SHOT" or "CLEAR" is selected the PDFCS will transition to the Verification display. If "CHECK" is selected, normal "CHECKFIRE" processing is followed.
None	"GRID ZONE ZERO NOT VALID" "ACK"	Grid Zone Zero is not valid Grid Zone.	Operator presses "ACK"	Enter a legal Grid Zone and press ENT again.
None	"GUN SWITCH MUST BE OFF" "ACK"	The gun switch is in the "ON" position and a system restart was attempted by selecting SYSTEM RESTART on the main or maintenance menu, or by attempting to leave embedded training.	Operator presses "ACK"	Turn off the gun switch and initiate system restart again.
None	"HOWITZER LOCATION NOT DEFINED" "ACK"	Invalid Howitzer location.	Operator presses "ACK".	Edit location and perform a NAV Update.
None	"HOWITZER LOCATION NOT VALID" "ACK"	If operator map is modified and current geodetic location cannot be transformed to the selected operator map.	Operator presses "ACK".	Edit location and perform a NAV Update.
None	"ILLEGAL HOWITZER AREA" "ACK"	ET levels 3 and 4: Operator entered howitzer area illegal.	Operator presses "ACK"	Verify location and re-enter coordinates.
None	"ILLEGAL TARGET AREA" "ACK"	ET levels 3 and 4: operator entered target area illegal.	Operator presses "ACK"	Verify Target area and re-enter as needed.

N-4 AFCS OPERATING CONTROLS AND INDICATORS - CONTINUED

Table N-10. Low Priority Messages without Audio Alerts - Continued

Audio Alert	Operator Alert/Message	Cause	Removal Conditions	Operator Notes
None	"INCOMPLETE ADDRESS XXX(X)" "ACK" Where XXX(X) represents the subscriber (SUB(1), FDC(B) etc.).	"USE ALL" was selected without entering a value in either the URN or Station Rank field on the Edit Addresses Display.	Operator presses "ACK"	Enter a value in the empty field to complete the address.
None	"INCOMPLETE ENTRY" "ACK"	The "USE ALL" softkey was selected without entering a value in an all-dashed (-----) field.	Operator presses "ACK"	Enter a value in all dashed fields before pressing the "USE ALL" softkey.
None	"INVALID DTG VALUE" "ACK"	Incorrect Date Time Group data entered.	Operator presses "ACK"	This message can be displayed in a number of screens. Usually accompanied with on screen dialog to correct date-time.
None	"INVALID GATEWAY" "ACK"	A Gateway was entered, which is not on the same local network, in the Advanced Communication Configuration Mode.	Operator presses "ACK"	Verify the "Gateway" value is defined, and then the Gateway and FDC IP Address will be on the same local network as the Paladin Address.
None	"INVALID IP-NOT LOCAL" "ACK"	An incorrect IP address was entered in the Advanced Communication Configuration Mode.	Operator presses "ACK"	Verify IP addresses for all subscribers. The IP addresses must all start with the same number.
None	"INVALID LOCATION" "ACK"	Target coordinates are not valid for the Howitzer's current location.	Operator presses "ACK"	Operator is allowed to edit coordinates.
None	"INVALID SELECTION" "ACK"	Operator made an invalid selection.	Operator presses "ACK"	Verify selection and re-enter.
None	"MESSAGES HAVE BEEN LOST" "ACK"	The message buffer has overflowed.	Operator presses "ACK"	The message buffer holds 8 messages. Check incoming messages when received.

N-4 AFCS OPERATING CONTROLS AND INDICATORS - CONTINUED

Table N-10. Low Priority Messages without Audio Alerts - Continued

Audio Alert	Operator Alert/Message	Cause	Removal Conditions	Operator Notes
None	"MVV EXTENDED LOT CONFLICT" "ACK"	The PDFCS has stored MVVs, and the operator entered a propellant with the same Extended Lot but different model number into the Ammo Inventory.	Operator presses "ACK"	Verify the conflicting Extended Lot and re-enter as needed.
None	"NAV OUT, KEYBOARD ENTRY REQ" "ACK"	The DRUH is not in survey mode and the operator attempts to use tube position to enter azimuth for LEFT, or RIGHT edges, or an EL value on the SITE DATA Display by pressing ENT with no numbers in the selected field.	Operator presses "ACK"	This can happen when the NAV subsystem is OUT or "OK TO MOVE OR SHOOT" has not yet been displayed. Manually enter SITE DATA values.
None	"NO AMMO PRESENT" "ACK"	An attempt to initiate a Paladin Computed Fire Command.	Operator presses "ACK"	The inventory must be edited in order to proceed any further.
None	"NO BALLISTIC SOLUTION" "ACK"	No ballistic solution could be obtained for a Direct Fire or Paladin Fire Commands mission.	Operator presses "ACK"	Verify entries and edit as needed.
None	"NORTHING VALUE NOT VALID RE-ENTER VALUE" "ACK"	An invalid northing was entered.	Operator presses "ACK"	Verify location and re-enter coordinates.
None	"NUMBER OF STATIONS SET TO XX" "ACK" Where "XX" represents the number of stations on this Network.	The value entered in the Station Rank field is greater than the number of stations specified in the Network Settings Display.	Operator presses "ACK"	No further actions required.
None	"OFFLOAD COMPLETE" "ACK"	Offload of ET level 3 or 4 performance data completed successfully.	Operator presses "ACK"	No further action required.
None	"OFFLOAD FAILED" "ACK"	Offload of ET level 3 or 4 performance data failed.	Operator presses "ACK"	Check connections and re-try.

N-4 AFCS OPERATING CONTROLS AND INDICATORS - CONTINUED

Table N-10. Low Priority Messages without Audio Alerts - Continued

Audio Alert	Operator Alert/Message	Cause	Removal Conditions	Operator Notes
None	"OPERATOR MAP NOT DEFINED" "ACK"	SPHEROID/DATUM selection is not initialized.	Operator presses "ACK"	Initialize SPHEROID/DATUM.
None	"OTHER VOLLEY"	An Active Fire Mission has another volley with different information. (shell/fuze/propellant combinations)	Clears when first volley is fired.	Prepare for second volley. NOTE: AFCS equipped vehicles do not include the IFS. PERFORM SETTER CHECK, should be set to "NO" to avoid invalid BIT indications.
None	"PERFORM SETTER CHECK" "YES" "NO"	"PERFORM SETTER CHECK" was selected.	Operator selects "YES" or "NO"	If "YES" is selected, PERFORM SETTER CHECK will be set to "YES". If "NO" is selected, PERFORM SETTER CHECK will be set to "NO". No further action is required.
None	"POSITION COORDINATES INVALID RE-ENTER VALUE" "ACK"	The entered coordinate values do not correlate with the other data entered, or a NAV Update was attempted in ET level 2, 3, or 4.	Operator presses "ACK"	If not in ET level 2, 3, or 4, verify location and re-enter coordinates. NAV Updates are not allowed in ET levels 2, 3, and 4.
None	"POSITION IS NOT VALID" "ACK"	A Manual Move Order was entered to an invalid location; e.g. above 84 degrees North. For ET levels 2, 3 and 4 reject any attempted NAV updates.	Operator presses "ACK"	Verify Destination coordinates and re-enter.
None	"RANGE TOO FAR" "ACK"	The target location entered in a Paladin Computed Fire Commands fire mission is beyond 50,000 meters from the howitzer's location.	Operator presses "ACK"	Verify target location and edit as needed.
None	"RESET TCIM" "YES" "NO"	RESET TCIM was selected from the SETUP AND INFORMATION display.	Operator selects "YES" or "NO"	If "YES" is selected, the TCIM will be reset. If "NO" is selected, the TCIM will not be reset. No further action is required.

N-4 AFCS OPERATING CONTROLS AND INDICATORS - CONTINUED**Table N-10. Low Priority Messages without Audio Alerts - Continued**

Audio Alert	Operator Alert/Message	Cause	Removal Conditions	Operator Notes
None	"SET ACTIVE" "YES" "NO"	A configured Network was selected that is not currently active.	Operator selects "YES" or "NO"	If "YES" is selected, the selected Network will become active and the previously active Network will become inactive. If "NO" is selected, the active Network will not be changed.
None	"TRAINING NOT AVAILABLE" "ACK"	A Degraded Power Up status was detected and training is not available.	Operator presses "ACK"	No further action required unless the degraded item is needed for operation or Training Mode is needed. In which case, troubleshoot and cycle AFCS power.
None	"UNALLOWED-BEING USED BY FM" "ACK"	The operator tried to delete Ammo (shell, propellant, or fuze) while in the EOM/Continuation state of a Fire Mission.	Operator presses "ACK"	Ammo quantity can be changed, but not deleted, when in a Fire Mission EOM/Continuation state.
None	"USE ALL AND COPY" "YES" "NO"	"COPY" was selected in the Network Settings, Select Configuration Option display.	Operator selects "YES" or "NO"	If "YES" is pressed, the current Network will be copied and displayed in the Network display. If "NO" is pressed, the action to Copy is cancelled.
None	"VALUE TOO "XXXX""	The entered number is either "TOO BIG" or "TOO SMALL."	Operator presses "ACK"	Enter a number value with in the range shown in the prompt.
None	"WARNING-RANGE SET TO MAXIMUM" "ACK"	The range to the Mask is set to a calculated minimal Maximum range.	Operator presses "ACK"	Verify Mask and contact FDC if an Unsafe condition exists.

N-5 DC POWER MESSAGES.

Three Auxiliary Power messages can appear on any menu being displayed on the DU panel. Operator actions for any message will be the same regardless of the menu on which it is displayed.

N-5.1 On Auxiliary Power.

If vehicle battery voltage drops to a point below that needed by the Power Conditioner Unit (PCU) to operate the AFCS, the PCU will automatically switch to auxiliary power (backup batteries) to maintain AFCS operation. When the switch to auxiliary power occurs, an audible alert will be sounded over the intercom, and a visual alert will be displayed at the bottom of the menu.



Prolonged operation on auxiliary power may cause the AFCS to shut down automatically.

At this time, the vehicle engine must be started to recharge the vehicle batteries.

The operator must press the softkey under ACK to silence the audible alarm and eliminate the message.

RNDS SHELL- ____ LOT			DEFL	QUAD	
____	____	____	ACTL	3200.0	300.0
PROP	LOT	CHG	CMD	3200.0	300.0
____	____	____	TARGET ID ____		
FUZE - ____/US			SETTING		
____	____		____		
ON AUX POWER START VEHICLE				ACK	

06pc157td

N-5 DC POWER MESSAGES - CONTINUED

N-5.2 Auxiliary Power Not Available.

If the auxiliary power batteries are not functional (e.g., low, damaged, or disconnected), a visual alert will be displayed at the bottom of the menu.

The operator must press the softkey under ACK to eliminate the message. At this time, the vehicle engine must be started and kept running to ensure AFCS operation until auxiliary power is restored.

NOTE

This message can also appear during BIT.

RNDS SHELL-___ LOT		DEFL		QUAD	
___	___	ACTL	3200.0	300.0	
PROP	LOT	CHG	CMD	3200.0	300.0
___	___	___	TARGET ID ___		
FUZE - ___/US		SETTING			
___	___				
AUX BATTERY NOT CONNECTED				ACK	

06pc158ta

N-5.3 Vehicle and Auxiliary Power OK.

When the vehicle battery voltage rises sufficiently, the PCU will automatically switch to vehicle power. When the switch occurs, a visual alert is displayed at the bottom of the menu as shown below.

The operator must press softkey under ACK to eliminate the message.

RNDS SHELL-___ LOT		DEFL		QUAD	
___	___	ACTL	3200.0	300.0	
PROP	LOT	CHG	CMD	3200.0	300.0
___	___	___	TARGET ID ___		
FUZE - ___/US		SETTING			
___	___				
VEHICLE AND AUX POWER OK				ACK	

06pc159ta

N-6 AFCS INITIALIZATION.

N-6.1 System Power-Up.

WARNING

ALKALINE BATTERIES

Caustic potassium hydroxide gas may be released from leaking or ruptured batteries. Avoid eye or skin contact and inhalation of vapors. Increase ventilation. Wear safety glasses and rubber gloves when handling leaking batteries. Dispose in accordance with local regulation. Refer to TB 43-0134, Batteries, Disposition and Disposal for additional information.

NOTE

- M93 MVS must be installed and connected prior to turning the vehicle MASTER power switch ON.
- PLGR/DAGR should be installed and powered prior to turning on the DU of the AFCS in order for the AFCS to use the PLGR/DAGR data.
- The following steps must be completed prior to POWERING UP and INITIALIZATION of the AFCS.
 - a. Outside the howitzer:
 1. Left front drive sprocket must be within 1 meter of SCP.
 2. Gun tube in travel lock.
 3. M93 Chronograph connections verified.
 4. FM VOICE/DIGITAL Radio antennas are properly mounted, cables and ground connections verified.
 5. PLGR/DAGR antenna cable connections verified.

N-6 AFCS INITIALIZATION - CONTINUED

N-6.1 System Power-Up - Continued

- b. Inside the howitzer:
 1. Turret lock in LOCKED position.
 2. 1553 BUS terminator connection verified.
 3. PLGR/DAGR ground connection verified.
 4. PLGR/DAGR installed.
 5. Set MASTER switch to ON.
 6. Ensure 10 PCU switches are ON.
 7. Turn PLGR/DAGR ON and FILL verified.
 8. Turn radios ON, and perform VOICE radio check.
 9. Idle engine at 1000 to 1200 RPMs.
 10. Make sure TRAINING switch on DU is OFF.

With the PLGR/DAGR in the PLGR/DAGR mount and all external cables attached, press the ON/BRT key on the PLGR key pad or press the PWR/QUIT key on the DAGR keypad. The PLGR/DAGR should power up automatically and perform its self-test (BIT). Operate the PLGR in accordance with the PLGR TM 11-5825-291-13 or operate the DAGR in accordance with the DAGR TM 11-5820-1172-13.

If the PLGR/DAGR does not have a current key (i.e. the PLGR/DAGR was previously zeroized, newly installed or the key has expired), then load a valid key in accordance with the PLGR TM 11-5825-291-13, or in accordance with DAGR TM 11-5820-1172-13.

NOTE

To load a key, the DRUH must be off, or the P4 DRUH-PLGR/DAGR signal connector must be disconnected to cause a PLGR/DAGR COM FAIL. Simple re-attachment of P4 DRUH-PLGR/DAGR Signal Connector after PLGR/DAGR keying will automatically cause DRUH-PLGR/DAGR communications to resume if DRUH is on.

If the PLGR/DAGR antenna has a clear view of the sky, turn PLGR/DAGR on.

If the antenna's view of the sky is blocked (e.g. the vehicle is in a building, under tree cover or parked next to a large structure), move vehicle until the PLGR/DAGR antenna is clear.

If the vehicle cannot be moved, keep PLGR/DAGR turned off until the vehicle can be moved to a location with a clear view of the sky.

NOTE

If the PLGR/DAGR is off, the Navigation System will still accept initialization data from the AFCS for inertial operation and the Navigation System will operate as before.

- c. If the antenna has a clear view of the sky and PLGR/DAGR has a valid position, current GPS time, current GUV key, and has stored a current satellite almanac, PLGR/DAGR will be acceptable for use in about 3 minutes following the first turn-on of the day. It will take about 90 seconds for subsequent turn-ons. These are the normal operating conditions.

N-6 AFCS INITIALIZATION - CONTINUED

N-6.1 System Power-Up - Continued

- d. If the antenna has a clear view of the sky and PLGR/DAGR has a current GUV key but PLGR/DAGR doesn't have a valid position, current GPS time, or current satellite almanac, it may take up to 20 minutes after turn-on for the PLGR/DAGR to output data of acceptable accuracy.
- e. If the PLGR/DAGR has a valid position, current GPS time, current key, and current satellite almanac, but the antenna is masked from a clear view of the sky when PLGR/DAGR is turned on, it may take up to 20 minutes to get acceptable data after the vehicle is moved to a location with a clear view of the sky. This results from the PLGR initiating a search for all possible satellites if it can't lock on to those expected, for its current position, time, and almanac, within a reasonable time interval.
- f. If the PLGR/DAGR doesn't have a current key, its data won't be acceptable for use by the AFCS. However, assuming a clear view of the sky, it can be turned on to initialize position, time, and satellite almanac in about 20 minutes. Then when a valid key is located, the PLGR/DAGR will be ready to go within three minutes.

NOTE

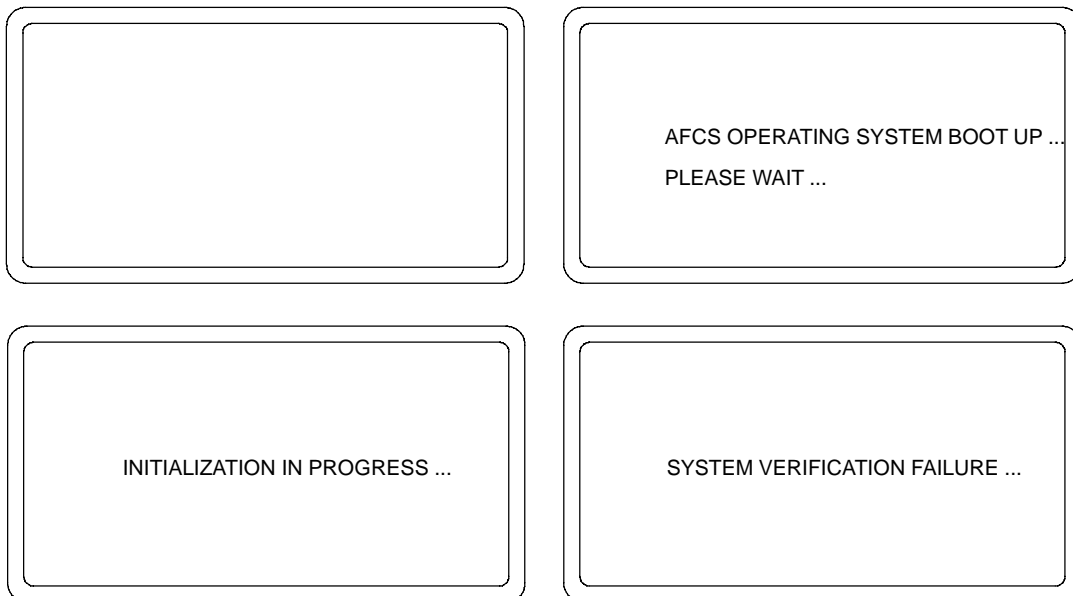
M93 MVS must be installed and connected prior to turning the vehicle MASTER power switch ON.

Make sure TRAINING switch on DU is OFF. Set POWER switch on DU to ON. When power is first applied to the AFCS, the display will be blank and the AFCS will automatically perform its internal self-test (BIT). Next a screen will be displayed with this message "AFCS OPERATING SYSTEM BOOT UP . . . PLEASE WAIT" . . . , followed by an "INITIALIZATION IN PROGRESS. . ." screen.

NOTE

- The time lapse between first three screens can range from 3 to 5 minutes.
- If screen stays blank for more than 7 minutes, power down system.

A SYSTEM VERIFICATION FAILURE screen may be displayed only if there is an incompatibility between hardware and software. In this case the AFCS shall automatically be powered down.



06pc414mo

N-6 AFCS INITIALIZATION - CONTINUED

N-6.1 System Power-Up - Continued

After the AFCS powers up, the PLGR/DAGR screen should read:

REMOTE CONTROL
Only ZEROIZE key
activated

At this point the PLGR/DAGR key pad will become inactive. The only PLGR/DAGR operation allowed using the key is EMERGENCY ZEROIZE.

If this message is not displayed on the PLGR/DAGR screen, and the Low Priority Message "GPS OUT - GPS DISCONNECTED" is not displayed on the DU, ensure that the DRUH-PLGR/DAGR Signal Connector (P4) plug on the W17A cable is connected and secure. Once this PLGR/DAGR screen is displayed, proceed with system initialization.

NOTE

- NAV SUBSYSTEM includes: VMS, DRUH, and VMS modems
- PCU SUBSYSTEM includes: PCU and both back-up batteries.
- The switches on the PCU are circuit breakers. They should be left ON at all times, so they will not wear out from being turned off and on constantly.
- In AFCS equipped vehicles, the Inductive Fuze Setter (IFS) is not utilized. Upon system power-up, the software will detect no IFS and display the power up BIT status as - -.

This screen displays the subsystems that are checked by BIT. As the subsystems are checked, the dashed lines will change to a subsystem status (OK, DEGRADED, - -). The - - appears on the MVS status line when the AFCS could not be connected to the MVS. This screen also identifies the system software version.

N-6 AFCS INITIALIZATION - CONTINUED

N-6.1 System Power-Up - Continued

POWER UP STATUS			
DCU	SUBSYSTEM	--	①
COMMO	SUBSYSTEM	--	②
NAV	SUBSYSTEM	--	③
WPN	SUBSYSTEM	--	④
PCU	SUBSYSTEM	--	⑤
1553	BUS	--	⑥
PDIU	SUBSYSTEM	--	⑦
MVS	SUBSYSTEM	--	⑧
IFS	SUBSYSTEM	--	⑨

06pc071mk

Table N-11. Power Up Status Display

Field	Description	Conditions for display
1	DCU Range/Values: (1) -- (2) DEGRADED (3) OK	(1) Status not yet determined. (2) NAV interface BIT, ET interface BIT or 1553B bus controller BIT fails. (3) Subsystem is fully operational.
2	COMMO Range/Values: (1) -- (2) OUT (3) DEGRADED (4) OK	(1) Status not yet determined. (2) COMMO not operational. (3) TCIM BIT or CP CPCI NVM BIT fails and COMMO operational. (4) Subsystem is fully operational.
3	NAV Range/Values: (1) -- (2) OUT (3) DEGRADED (4) OK	(1) Status not yet determined. (2) NAV interface BIT or DRU BIT fails. (3) VMS BIT fails. (4) Subsystem is fully operational.

N-6 AFCS INITIALIZATION - CONTINUED**N-6.1 System Power-Up - Continued****Table N-11. Power Up Status Display - Continued**

Field	Description	Conditions for display
4	WPN Range/Values: (1) -- (2) OUT (3) DEGRADED (4) OK	(1) Status not yet determined. (2) Servo fails or WPN subsystem not operational. (3) BCWC CPCI operational and cannon setup not acknowledged or tube temperature sensor or BCWC CPCI NVM fails. (4) Subsystem is fully operational.
5	PCU Range/Values: (1) -- (2) DEGRADED (3) OK	(1) Status not yet determined. (2) PCU BIT fails. (3) Subsystem is fully operational.
6	1553 Range/Values: (1) OUT (2) DEGRADED (3) OK	(1) 1553B bus controller BIT fails or no LRUs are connected on this bus. (2) One or more operational LRUs (not MVS) are not communicating on this bus. (3) Subsystem is fully operational.
7	PDIU Range/Values: (1) -- (2) OUT (3) OK	(1) Status not yet determined. (2) PDIU not operational. (3) Subsystem is fully operational.
8	MVS Range/Values: (1) -- (2) OUT (3) OK	(1) Status not yet determined. (2) MVS not operational. (3) Subsystem is fully operational.
9	IFS Range/Values: (1) --	(1) The IFS system is not operational.

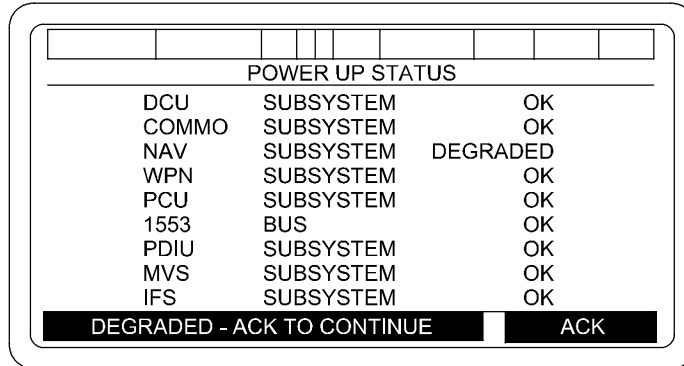
N-6 AFCS INITIALIZATION - CONTINUED

N-6.2 Initializing.

In the event of a failure during POWER UP STATUS, the message “DEGRADED - ACK TO CONTINUE” will be displayed on the bottom line of the EL Panel. To continue, depress softkey under ACK. After the self-test is complete, SELECT OPERATIONAL MODE menu is displayed.

NOTE

If all systems are OK, the screen below will not be shown.

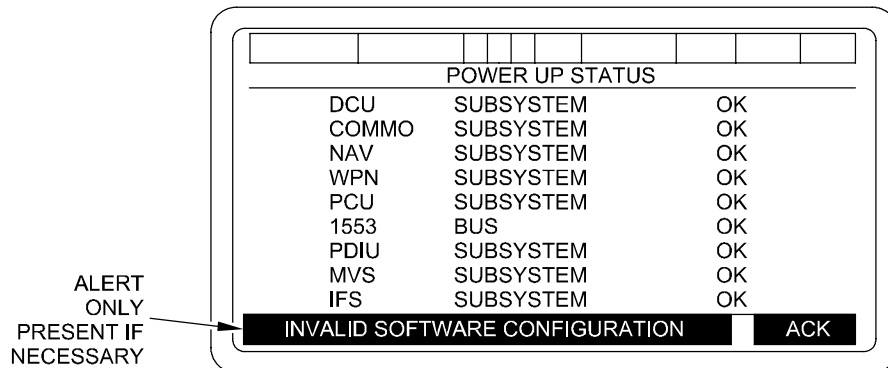


06pc072mf

NOTE

If DCU contains an incorrect configuration, the AFCS will not allow the operator to select normal operations until a correct DCU software configuration is downloaded.

When configuration verification checking indicates that the executed software configuration is not the same as the acquired software configuration, a short error message “INVALID SOFTWARE CONFIGURATION”, “ACK” will appear on the softkey label line of the DU.

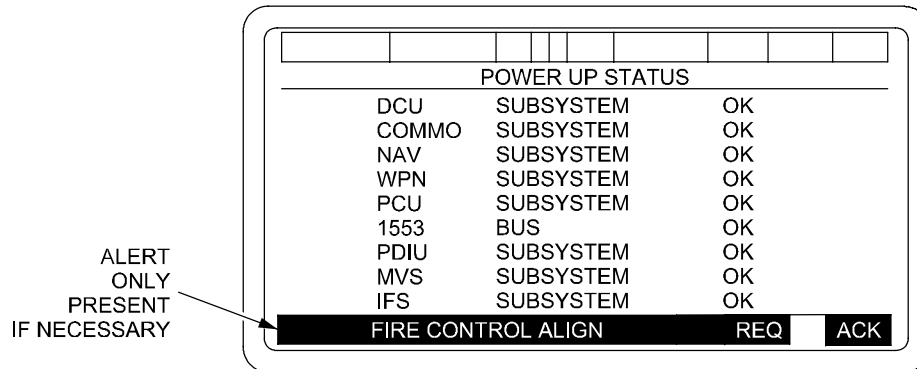


06pc245tb

N-6 AFCS INITIALIZATION - CONTINUED

N-6.2 Initializing - Continued

When a Fire Control Alignment is required by the AFCS, the alert "FIRE CONTROL ALIGN" "REQ" "ACK" will appear on the softkey label line of the DU. This alignment must be accomplished before INITIALIZATION of the AFCS can be completed. If a full Fire Control Alignment including SYSTEM RESTART or Power Cycle is not completed when it is requested, the DU FAULT lamps and ACU BIT lamp will illuminate and remain lit.



06pc073ml

When the message is acknowledged, the AFCS will proceed to the SELECT OPERATIONAL MODE menu. To view detailed software configuration information for each LRU, MAINTENANCE should be selected IAW procedure in para N-9.1.

After an orderly shutdown, go to para N-6.3. However, if a catastrophic failure happens within the system, follow the procedures below.

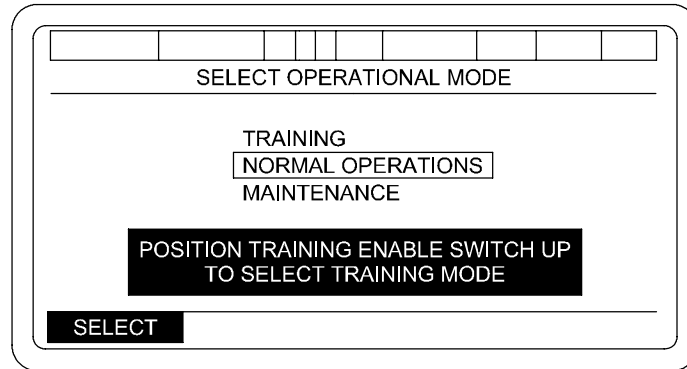
When initializing the AFCS, communications parameters (NETWORK setup display) are entered to establish digital communications. Data to align the navigation system to a known location must also be entered at initialization. Other data to establish date/time, ammunition supply and propellant temperature, TOT response time, load elevation, and sector of fire must be entered before the initialization process is complete. All this data is input during NORMAL OPERATIONS Mode which is selected from the SELECT OPERATIONAL MODE menu.

NOTE

- It is possible that an ALERT(S) may appear on the bottom line of the SELECT OPERATIONAL MODE screen. To continue, press the ACK softkey.
- NORMAL OPERATIONS and MAINTENANCE shall not be available when the training enable switch is up.

N-6 AFCS INITIALIZATION - CONTINUED

N-6.2 Initializing - Continued

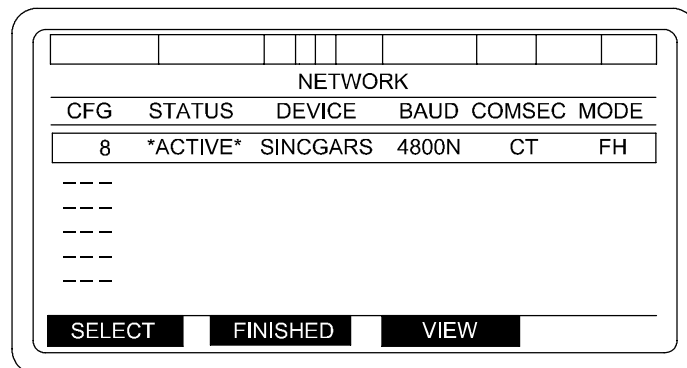


06pc094ma

- a. Mode Selection. Set TRAINING ON/OFF switch to OFF when selection other than TRAINING is required. Box in NORMAL OPERATIONS mode, Press SELECT key, NETWORK menu will be displayed. The operator has the option of storing up to six NETWORK configurations.
- b. NETWORK display. Upon initialization of a previously configured AFCS, the display lists all previously configured network configurations.

Initialization of a virgin PALADIN, all communications configurations, "CFG", shall be set to "---" and all other columns will be blank.

Only one network configuration will be active at any one time. The active configuration is identified by the label "*ACTIVE*" in the STATUS column. Inactive configurations will not have anything displayed in the STATUS column. When initializing a virgin Paladin and once the first network is defined, the system shall automatically set to *ACTIVE*.



06pc321t

TACFIRE configurations will not display anything in the COMSEC and MODE columns of the NETWORK screen.

188-220 communications configurations identify the Device, Baud Rate, COMSEC and MODE. 188-220 configurations with any customized values identify the Device as "CUSTOM/R" for Radio and "CUSTOM/W" for Two-Wire.

The AFCS will not reorder network configurations as a result of deletions.

The FINISHED and VIEW softkeys are not visible unless at least one configuration is defined.

N-6 AFCS INITIALIZATION - CONTINUED

N-6.2 Initializing - Continued

NETWORK					
CFG	STATUS	DEVICE	BAUD	COMSEC	MODE
3		SINGGARS	4800N	CT	FH
6		SINGGARS	1200N	CT	FH
6	*ACTIVE*	CUSTOM/R	1200N	CT	FH
10		CUSTOM/W	32000	PT	SC
0		TACFIRE	1200		
8		CUSTOM	9600N	CT	FH

SELECT FINISHED VIEW

06pc322t

Softkey sequencing shall be as follows:

- **SELECT** - If the highlighted configuration was previously defined, control transitions to NETWORK SETTINGS-SELECT CONFIGURATION OPTION display. If the highlighted configuration has not been defined, control transitions to NETWORK SETTINGS-STANDARD COMMUNICATION CONFIGURATION display.
- **FINISHED** - When the operator presses the FINISHED softkey, the AFCS stores all defined network configurations and control transitions to NORMAL OPERATIONAL INITIALIZATION display.
- **VIEW** - When the VIEW softkey is pressed and the currently selected network configuration has been defined, control transitions to the NETWORK SETTINGS display. If the currently selected network configuration has not been defined, the VIEW softkey is inactive.
- **CANCEL** - When the CANCEL softkey is pressed, any defined configuration values are discarded.

N-6 AFCS INITIALIZATION - CONTINUED

N-6.2 Initializing - Continued

NETWORK SETTINGS

SELECT CONFIGURATION OPTION

MODIFY

COPY

SELECT CANCEL

NETWORK SETTINGS

STANDARD COMMUNICATION CONFIGURATION

MORE ABOVE

5	SINGGARS	1200N	NRZ	CT	SC
6	SINGGARS	1200N	NRZ	CT	FH
7	SINGGARS	2400N	NRZ	CT	FH
8	SINGGARS	4800N	NRZ	CT	FH
9	2 - WIRE	1200	FSK -C	PT	SC
10	2 - WIRE	32000	CDP	PT	SC

SELECT CANCEL

06pc320t

c. Standard Communications Configurations.

NOTE

- If the Communication Configuration is not defined in NETWORK display, then configuration #8 will be the default boxed selection.
- If the Communication Configuration is defined in NETWORK display, then that configuration number is the default boxed selection.

N-6 AFCS INITIALIZATION - CONTINUED

N-6.2 Initializing - Continued

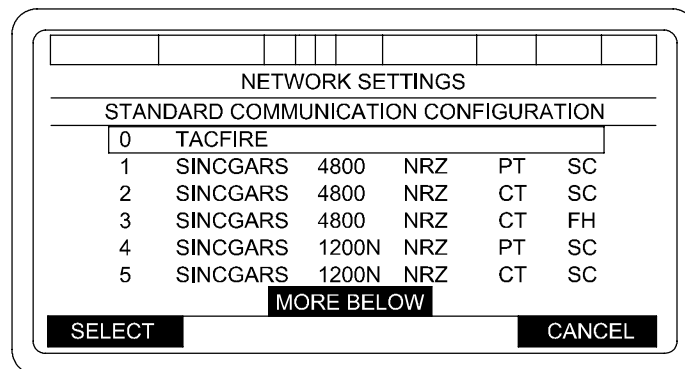
(1) AFCS supports the following 11 predefined communications configurations:

Table N-12. Network Configurations

CONFIGURATION MODE	DEVICE	BAUD RATE	COMSEC	MODE	MODULATION
0	TACFIRE	4800	-----	-----	NRZ
1	Sincgars	4800	PT	SC	NRZ
2	Sincgars	4800	CT	SC	NRZ
3	Sincgars	4800	CT	FH	NRZ
4	Sincgars SIP or ASIP	1200N	PT	SC	NRZ
5	Sincgars SIP or ASIP	1200N	CT	SC	NRZ
6	Sincgars SIP or ASIP	1200N	CT	FH	NRZ
7	Sincgars SIP or ASIP	2400N	CT	FH	NRZ
8	Sincgars SIP or ASIP	4800N	CT	FH	NRZ
9	2-Wire	1200	PT	SC	FSK-C
10	2-Wire	32000	PT	SC	CDP

(2) Softkey sequencing shall be as follows:

- **SELECT** - Selects the currently boxed selection. If the currently boxed selection is Communication Configuration 0, control transitions to TACFIRE NETWORK SETTINGS. If the currently boxed selection is Communication Configuration 1 to 10, control transitions to 188-220 NETWORK SETTINGS.
- **CANCEL** - If the operator presses CANCEL, the current display transitions to the previous display.



06pc319t

N-6 AFCS INITIALIZATION - CONTINUED

N-6.2 Initializing - Continued

d. Network Settings-Select Configuration Option.

- (1) Softkey sequencing shall be as follows:
 - SELECT - Selects the currently boxed selection. Transition of control depends upon the selected menu.
 - CANCEL - When pressed, control transitions to NETWORK display.
- (2) MODIFY selection - Allows the operator to modify the current network configuration. If the current protocol is 188-220, then control transitions to 188-220 NETWORK SETTINGS. If the current protocol is TACFIRE, then control transitions to TACFIRE NETWORK SETTINGS.
- (3) SET ACTIVE selection

NOTE

SET ACTIVE selection will not be displayed if the current configuration is active.

This selection allows the operator to set the current network configuration as the ACTIVE configuration. The following operator prompts are displayed: "SET ACTIVE" "YES" "NO"
If NO is selected, no changes will be made.

If YES is selected, then the display will transition as follows:

If the current protocol is TACFIRE, then control shall transition to TACFIRE NETWORK SETTINGS.
If the current protocol is 188-220, then control shall transition to display 188-220 NETWORK SETTINGS.

- (4) COPY selection

NOTE

COPY selection will not be displayed if all six network configurations have been defined.

Allows the operator to copy the current configuration into the first empty network configuration. The following operator prompt shall be displayed:

"USE ALL AND COPY?" "YES" "NO"

If NO is selected, no changes will be made.

If YES is selected, the current configuration copies into the first undefined network configuration. Control then transitions to the NETWORK display.

N-6 AFCS INITIALIZATION - CONTINUED

N-6.2 Initializing - Continued

Terminal screen showing NETWORK SETTINGS menu. At the top is a header bar with 12 small boxes. Below it, the text "NETWORK SETTINGS" is centered. Underneath is a horizontal line, followed by "SELECT CONFIGURATION OPTION" centered. Below this is another horizontal line. In the center of the screen, the word "MODIFY" is enclosed in a rectangular box. Below "MODIFY" is the word "COPY". At the bottom of the screen, there are two black rectangular buttons: "SELECT" on the left and "CANCEL" on the right.

Terminal screen showing NETWORK SETTINGS menu. At the top is a header bar with 12 small boxes. Below it, the text "NETWORK SETTINGS" is centered. Underneath is a horizontal line, followed by "SELECT CONFIGURATION OPTION" centered. Below this is another horizontal line. In the center of the screen, the word "MODIFY" is enclosed in a rectangular box. Below "MODIFY" are the words "SET ACTIVE", "COPY", and "DELETE" stacked vertically. At the bottom of the screen, there are two black rectangular buttons: "SELECT" on the left and "CANCEL" on the right.

06pc318t

(5) DELETE selection

NOTE

DELETE selection will not be displayed if the current configuration is the active configuration.

Allows the operator to delete the current network configuration. The following message shall be displayed:

"DELETE NETWORK?" "YES" "NO"

If NO is selected, no changes will be made.

If YES is selected, the current configuration is deleted and control transitions to the NETWORK display.

Terminal screen showing NETWORK SETTINGS menu. At the top is a header bar with 12 small boxes. Below it, the text "NETWORK SETTINGS" is centered. Underneath is a horizontal line, followed by "SELECT CONFIGURATION OPTION" centered. Below this is another horizontal line. In the center of the screen, the words "MODIFY", "SET ACTIVE", and "COPY" are stacked vertically. Below "COPY" is the word "DELETE" enclosed in a rectangular box. At the bottom of the screen, there are two black rectangular buttons: "SELECT" on the left and "CANCEL" on the right.

06pc317la

N-6 AFCS INITIALIZATION - CONTINUED

N-6.2 Initializing - Continued

- e. Network Settings-188-220C Protocol.

NOTE

- Each selection that requires configuration is marked with an asterisk (*). The default boxed shall be the first asterisked selection. If there are no asterisked selections, the default boxed selection is Net Type when the display is entered.
- The following values are required: "Net Type" and "Edit Addresses". If the "Net Type" is not defined, the "Edit Addresses" selection shall not be visible to the operator. The address definition depends on the "Net Type" value.
- If the "Configuration Mode" is set to BASIC, the "Advanced Settings" selection will not be visible. If the "Configuration Mode" is set to ADVANCED and any "Advanced Settings" have been customized, the "Communication Configuration" value will be displayed as "CUSTOM-XX" where "XX" is the original Communication Configuration number.

SELECT softkey when the following selection is boxed:

188 - 220 NETWORK SETTINGS	
COMMUNICATION CONFIGURATION	8
NET TYPE	4
EDIT ADDRESSES	
NUMBER OF STATIONS	10
USE NET BUSY DETECT	YES
INTRANET RELAYER	DISABLED
N - LAYER PASS THROUGH	FDC ONLY
CONFIGURATION MODE	BASIC
SELECT	USE ALL
VIEW	CANCEL

06pc316t

- (1) Communication Configuration selection - Allows the operator to change the current Communication Configuration. The following message shall be displayed:
 "CHANGE COMM CONFIG?" "YES" "NO".
 If NO is selected, no changes will be made.
 If YES is selected, the NETWORK SETTINGS-STANDARD COMMUNICATION CONFIGURATION screen will be displayed.

N-6 AFCS INITIALIZATION - CONTINUED

N-6.2 Initializing - Continued

- (2) Net Type selection - Prompts the operator to enter a value for the NET TYPE. The valid range is 0 to 255.
 If the "Net Type" is modified and the "Configuration Mode" is set to ADVANCED, then default subscriber addresses shall be updated.
 If any address becomes a duplicate of another address as a result of changing the "Net Type", the following message will be displayed:
 "DUPLICATE IP ADDRESS" "ACK"
 If a duplicate address is detected, the "Edit Addresses" selection is marked with an asterisk (*).
- (3) Edit Addresses selection - Allows the operator to modify the network addresses. If the Configuration Mode is set to BASIC, then control transitions to 188-220 Network Addresses (Basic). If the "Configuration Mode" is set to ADVANCED, then control transitions to 188-220 Network Addresses (Advanced).

	URN	RANK
PALADIN	1 2 3 4 5 6 7	22
FDC(P)	5 6 4 7 3	2
FDC(B)	-----	---
SUB(1)	-----	---
SUB(2)	-----	---
SUB(3)	-----	---

CONTROL FDC (P) GUN NUMBER X/X

SELECT USE ALL DELETE CANCEL

06pc315ta

- (4) Number of Stations selection - Prompts the operator to enter a value for NUMBER OF STATIONS. The valid range is 2 to 31 for previously undefined configurations. If the configuration has been previously defined, the valid range shall be XX to 31 where XX is equal to the highest current Rank that was selected.
- (5) Use Net Busy Detect selection - If the installed TCIM is not capable of performing Net Busy Detection function, the following message shall be displayed:
 "NOT SUPPORTED BY THIS TCIM" "ACK".
 If the installed TCIM supports Net Busy Detect and allows the operator to select either "YES" or "NO" by pressing the SELECT softkey.
 If Use Net Busy Detect is modified when the Configuration Mode is set to ADVANCED, then the value of Busy Detect Override will be set to default value for current settings of Device, COMSEC, Mode, Modulation, Baud Rate and EDC.

188 - 220 NETWORK SETTINGS	
USE NET BUSY DETECT	
YES	
NO	

SELECT CANCEL

06pc314ta

N-6 AFCS INITIALIZATION - CONTINUED

N-6.2 Initializing - Continued

- (6) Intranet Relayer selection - Control transitions to a screen titled 188-220 NETWORK SETTINGS - INTRANET RELAYER and allows the operator to select either "Enabled" or "Disabled" by pressing the SELECT softkey.

188 - 220 NETWORK SETTINGS
INTRANET RELAYER

DISABLED
ENABLED

SELECT CANCEL

06pc313ta

- (7) N-Layer Pass Through selection - Control transitions to 188-220 NETWORK SETTINGS - N-LAYER PASS THROUGH and allows the operator to select "FDC Only", "Enabled", or "Disabled" by pressing the SELECT softkey.

188 - 220 NETWORK SETTINGS
N - LAYER PASS THROUGH

FDC ONLY
ENABLED
DISABLED

SELECT CANCEL

06pc312ta

- (8) Configuration Mode selection

If the current Configuration Mode is set to BASIC, the following **WARNING** screen is displayed:

WARNING

USE ADVANCED SETTING
ONLY WHEN DIRECTED BY FDC

IMPROPER USE OF ADVANCED
SETTING WILL SERIOUSLY
DEGRADE NETWORK

USE ADVANCED MODE? YES NO

06pc311t

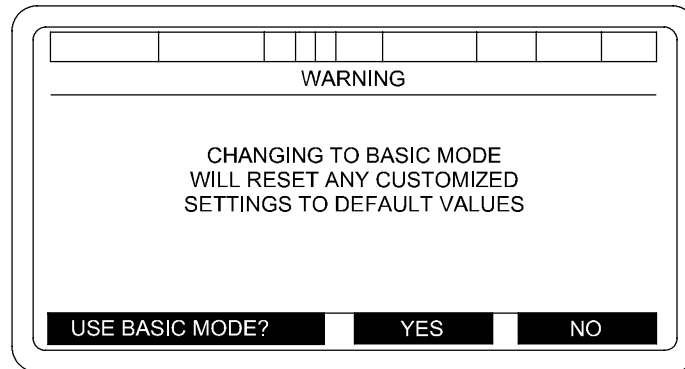
If the operator presses YES, Configuration Mode changes to ADVANCED.

If the operator presses NO, Configuration Mode remains set to BASIC.

N-6 AFCS INITIALIZATION - CONTINUED

N-6.2 Initializing - Continued

If the current Configuration Mode is set to ADVANCED, the following **WARNING** screen is displayed:



06pc310t

If the operator presses YES, Configuration Mode changes to BASIC.
If the operator presses NO, Configuration Mode remains set to ADVANCED.

(9) ADVANCED SETTINGS selection

WARNING

- Modification and use of ADVANCED SETTINGS should only be performed at the direction of FDC. Improper use of ADVANCED SETTINGS will seriously degrade network.
- ADVANCED SETTING changes are not authorized by the user unless directed by FDC. Failure to comply could result in system degradation.

When ADVANCED SETTING is selected, control transitions to ADVANCED 188-220 PROTOCOL SETTINGS.

f. Network Settings-TACFIRE Protocol.

NOTE

- Each selection that requires configuration shall be marked with an asterisk (*). The default boxed will be the first asterisked selection. If there are no asterisked selections, the default boxed selection shall be Edit Addresses when the display is entered.
- The following values are required: "Edit Addresses", "Net Access Delay (Seconds)", and "Gun Key Time (Seconds)".

N-6 AFCS INITIALIZATION - CONTINUED

N-6.2 Initializing - Continued

If the "Device" value is modified and the current "Modulation" becomes invalid, the "Modulation" is set to the default values of SINCGARS/NRZ and 2 Wire/CDP.

If the "Modulation" value is changed because "Device" was modified, then the "Baud Rate" shall be set to the default value of SINCGARS/NRZ/4800 baud and 2 Wire/CDP/32000 baud.

If the "Modulation" value is modified, and the "Baud Rate" value becomes invalid, then the "Baud Rate" shall be set to default value based on "Device" and "Modulation" setting as follows:

Device	Modulation	Default Baud Rate
SINCGARS	NRZ	4800 baud
SINCGARS	Fsk-188B	1200 baud
SINCGARS	Fsk-188C	1200 baud
2 Wire	CDP	32000 baud
2 Wire	Fsk-188B	1200 baud
2 Wire	Fsk-188C	1200 baud

Pressing CANCEL softkey transitions to TACFIRE NETWORK SETTINGS display without changing the selection value. Invalid combinations will not be selectable.

SELECT softkey when the following selection is boxed:

TACFIRE NETWORK SETTINGS

COMMUNICATION CONFIGURATION 0

*EDIT ADDRESSES

DEVICE SINCGARS

MODULATION NRZ

BAUD RATE 4800

*NET ACCESS DELAY (SECONDS) ----

*GUN KEY TIME (SECONDS) ----

BLOCK MODE SELECTION SINGLE

NET BUSY SENSE OVERRIDE OFF

SELECT USE ALL VIEW CANCEL

06pc307ta

- (1) Communication Configuration selection - Allows the operator to change the current Communications Configuration. The following message will be displayed:
 "CHANGE COMM CONFIG?" "YES" "NO".
 If NO is selected, no changes will be made.
 If YES is selected, the NETWORK SETTINGS-STANDARD COMMUNICATION CONFIGURATION screen will be displayed.

N-6 AFCS INITIALIZATION - CONTINUED

N-6.2 Initializing - Continued

- (2) Edit Addresses selection - Transitions to display TACFIRE NETWORK ADDRESSES.

	URN	PHYSICAL	BROADCAST
PALADIN	*-----*	*--	*--
FDC(P)	*-----*	--	
FDC(B)	-----	--	
SUB(1)	-----	--	
SUB(2)	-----	--	
SUB(3)	-----	--	

CONTROL FDC (P) GUN NUMBER X/X

SELECT **USE ALL** **DELETE** **CANCEL**

06pc308ta

- (3) DEVICE MODULATION, and BAUD RATE selections—Transitions to TACFIRE NETWORK SETTINGS and subtitled with the selection values shown below:

TACFIRE NETWORK SETTINGS			
DEVICE			
2 WIRE			
<input type="text" value="SINGGARS"/>			
SINGGARS SIP/ASIP			

SELECT **CANCEL**

TACFIRE NETWORK SETTINGS			
MODULATION			
<input type="text" value="NRZ"/>			
CDP			
FSK-188C			
FSK-4202A			

SELECT **CANCEL**

TACFIRE NETWORK SETTINGS			
BAUD RATE			
600			
1200			
2400			
<input type="text" value="4800"/>			
8000			
16000			
32000			

SELECT **CANCEL**

06pc309tc

- (4) NET ACCESS DELAY (SECONDS) selection - Selects proper transmission delay time to maintain network access order assigned to various subscribers. To enter a new NET ACCESS DELAY time, box in new time. The operator is then prompted to enter a value for the "NET ACCESS DELAY" in seconds. The valid range is 0.5 seconds to 49.5 seconds in 0.5-second increments.

N-6 AFCS INITIALIZATION - CONTINUED

N-6.2 Initializing - Continued

TACFIRE NETWORK SETTINGS

COMMUNICATION CONFIGURATION 0

*EDIT ADDRESSES

DEVICE SINGGARS

MODULATION NRZ

BAUD RATE 4800

*NET ACCESS DELAY (SECONDS) []

*GUN KEY TIME (SECONDS) []

BLOCK MODE SELECTION SINGLE

NET ACC DEL : 0.5 TO 49.5 - PRESS ENT -

CANCEL

06pc305ta

- (5) GUN KEY TIME (SECONDS) selections - Selects assigned transmit delay time. This stabilizes the communications link and allows radio to reach full transmit power before digital data message is sent. When GUN KEY TIME is selected from TACFIRE NETWORK SETTINGS menu, a GUN KEY TIME menu is displayed. box in proper time. Press SELECT softkey. This will enter data and return to TACFIRE NETWORK SETTINGS menu (new GUN KEY TIME will be shown).

TACFIRE NETWORK SETTINGS

GUN KEY TIME

0.0 SECONDS 0.2 SECONDS

0.7 SECONDS 1.4 SECONDS

2.1 SECONDS 2.8 SECONDS

4.0 SECONDS

SELECT CANCEL

06pc306ta

- (6) BLOCK MODE selection - Selects single-block or double-block mode transmission of each data block. Double-block transmission provides for each block to be transmitted twice. when the BLOCK MODE SELECTION is selected, TACFIRE NETWORK SETTINGS - BLOCK MODE will appear with present block mode boxed in. After selection is made, TACFIRE NETWORK SETTINGS display will be shown with the new data in proper field. (Other data will remain unchanged). Double-block mode will be used when requested by Platoon Operations Center (POC).

TACFIRE NETWORK SETTINGS

BLOCK MODE

SINGLE

DOUBLE

SELECT CANCEL

06pc303ta

N-6 AFCS INITIALIZATION - CONTINUED

N-6.2 Initializing - Continued

- (7) NET BUSY SENSE OVERRIDE selection - Used to force a message through when communication net is degraded or jammed (message traffic or noise is sensed by communications processor). Selecting NET BUSY SENSE OVERRIDE (ON) when other subscribers are transmitting can cause message errors in radio traffic, and denies the other subscribers access. Consult unit SOP for proper use of NET BUSY SENSE OVERRIDE and press SELECT key. A TACFIRE NETWORK SETTINGS menu will be displayed showing present status boxed in. After proper selection, YES or NO is made, new data will be shown in the proper field. (Other data remains unchanged.)

The screenshot shows a menu titled "TACFIRE NETWORK SETTINGS". Below the title is a horizontal line, followed by the text "NET BUSY SENSE OVERRIDE". Underneath this text is a small box containing the word "ON" above the word "OFF". At the bottom of the screen are two buttons: "SELECT" on the left and "CANCEL" on the right.

06pc304ta

Softkey sequencing shall be as follows:

- USE ALL - If any selection is marked with an asterisk (*), the following message is displayed: "CLEAR *ASTERISKS* TO CONTINUE" "ACK"
If all asterisks have been cleared, control transitions to NETWORK display.
 - VIEW - Control transitions to display all protocol and address information for review using the same format as actual selection displays except fields cannot be selected.
 - CANCEL - Discard any changes and control transitions to NETWORK display.
- g. 188-220 Network Addresses (Basic).

NOTE

Each selection that requires configuration will be marked with an asterisk (*). The following values are required: PALADIN URN, PALADIN RANK, PALADIN GUN, Controlling FDC URN, Controlling FDC RANK. Once the selection has been configured, the asterisk will be cleared.

SELECT softkey - Selects currently boxed selection. Transition of control depends on currently selected menu item as described below:

- (1) CONTROL Row selection—If current controlling FDC is the primary FDC, the following message is displayed:
"CHANGE TO BACKUP?" "YES" "NO"
If the current control FDC is the backup FDC, the following message is displayed:
"CHANGE TO PRIMARY?" "YES" "NO"
If NO is selected, no changes will be made.
If YES is selected, the controlling FDC value shall be toggled with its current state.

N-6 AFCS INITIALIZATION - CONTINUED

N-6.2 Initializing - Continued

- (2) URN Column selection—Prompts the operator to enter a URN value ranging from 0 to 16,777,214. When the ENT key is pressed, the values shall be checked for duplicate URN values. If a duplicate value is found, the following message will be displayed:
 “DUPLICATE VALUE-REENTER” “ACK”
 Once the message is acknowledged, the operator is required to enter a new URN or press CANCEL softkey.
- (3) RANK Column selection—Prompts the operator to enter AFCS station rank range 1 to 31. When the ENT key is pressed, values will be checked for duplicate Station Rank values. If a duplicate value is found within the current configuration, the following message will be displayed:
 “DUPLICATE VALUE-REENTER” “ACK”
 Once the message is acknowledged, the operator is required to enter a new Station Rank value or press CANCEL.

If the Rank entered exceeds the Number of Stations value, the Number of Stations shall be set to the Rank value entered and the following message shall be displayed:
 “NUMBER OF STATIONS SET TO XX” “ACK”
 Where XX is the Rank value entered. Once the message is acknowledged, control transitions back to 188-220 Networks Addresses (Basic).

	URN	RANK
PALADIN	1500	1
FDC(P)	3000	2
FDC(B)	-----	---
SUB(1)	-----	---
SUB(2)	-----	---
SUB(3)	-----	---

CONTROL **FDC (P)** GUN NUMBER X/X

CHANGE TO BACKUP? **YES** **NO**

	URN	RANK
PALADIN	1500	1
FDC(P)	3000	2
FDC(B)	-----	---
SUB(1)	-----	---
SUB(2)	-----	---
SUB(3)	-----	---

CONTROL FDC (P) GUN NUMBER X/X

SELECT **USE ALL** **DELETE** **CANCEL**

06pc302t

- (4) GUN NUMBER Column selection - Control transitions to 188-220 NETWORK SETTINGS - GUN NUMBER display.

Softkey sequencing shall be as follows:

- USE ALL softkey - The following validity checks will be performed. If all are valid, control shall transition to 188-220 NETWORK SETTINGS. If any menu selections are marked with an asterisk (*), the following message will be displayed:
 “CLEAR *ASTERISKS* TO CONTINUE” “ACK”
 Address Completion Check - If a subscriber entry line has been incompletely defined (URN defined and Rank not defined, or Rank defined and URN not defined), then the following message will be displayed:
 “INCOMPLETE ADDRESS XXXXXX”, “ACK”
 Where “XXXXXX” identifies the incomplete subscriber: FDC(P), FDC(B), SUB(1), SUB(2) or SUB(3).

N-6 AFCS INITIALIZATION - CONTINUED

N-6.2 Initializing - Continued

- DELETE softkey—Allows the operator to delete the currently boxed URN or Rank. The following message will be displayed:
“DELETE ADDRESS”, “YES” “NO”
If NO is selected, no changes will be made.
If YES is selected, the current selection is deleted and its value displayed as a dashed value. Pressing the DELETE softkey when Control FDC selection is boxed will have no effect.
- CANCEL softkey - Discards any changes made to the addresses, control transitions to 188-220 NETWORK SETTINGS.

h. 188-220 Network Settings—Gun Number Display.

Softkey sequencing shall be as follows:

- SELECT - Selects the gun number currently boxed, and assigns it as the gun number for the AFCS address. Control then transitions to 188-220 NETWORK ADDRESSES (Basic).
- CANCEL - Allows the operator to exit the screen without making any changes. Control then transitions to 188-220 NETWORK ADDRESSES (Basic).

The screenshot shows a terminal-style interface for '188-220 NETWORK SETTINGS'. At the top, there is a header bar with several small rectangular boxes. Below this, the text '188-220 NETWORK SETTINGS' is centered. Underneath, 'GUN NUMBER' is also centered. A list of four options is displayed: '1/1', '1/2', '1/3', and '1/4' on the left, and '2/1', '2/2', '2/3', and '2/4' on the right. The '1/1' option is enclosed in a small box, indicating it is the current selection. At the bottom of the screen, there are two black rectangular buttons labeled 'SELECT' and 'CANCEL'.

06pc300ta

i. TACFIRE Network Addresses.

Each selection that requires configuration is marked with an asterisk (*). The following values are required:

- PALADIN URN
- PALADIN Physical Address
- PALADIN Broadcast Address
- GUN
- Controlling FDC URN
- Controlling FDC Physical Address

SELECT softkey - Selects the currently boxed selection. Transition of control depends on currently selected menu item as described below:

- (1) CONTROL Row selection - If current controlling FDC is the primary FDC, the following message is displayed:
“CHANGE TO BACKUP?” “YES” “NO”
If the current controlling FDC is the backup FDC, the following message is displayed:
“CHANGE TO PRIMARY?” “YES” “NO”
If NO is selected, no changes are made.
If YES is selected, the controlling FDC value shall be toggled with its current state.

N-6 AFCS INITIALIZATION - CONTINUED

N-6.2 Initializing - Continued

- (2) URN Column selection - Prompts the operator to enter a URN value. The valid range is 0 to 16,777,214. When the ENT key is pressed, the values are checked for duplicate URN values. If a duplicate value is found within the current configuration, the following message is displayed: "DUPLICATE VALUE-REENTER" "ACK"
Once the message is acknowledged, the operator is required to enter a new URN or press CANCEL softkey.
- (3) PHYSICAL Column selection - Control transitions to NETWORK SETTINGS - TACFIRE ADDRESSES with currently selected subscriber identified in the subtitle.
- (4) BROADCAST Column selection - Control transitions to NETWORK SETTINGS - TACFIRE ADDRESSES with the AFCS Broadcast Address identified in the subtitle.
- (5) GUN NUMBER selection - Control transitions to TACFIRE NETWORK SETTINGS - GUN NUMBER.

	URN	PHYSICAL	BROADCAST
PALADIN	* -----	* ---	* --
FDC(P)	* -----	* ---	
FDC(B)	-----	---	
SUB(1)	-----	---	
SUB(2)	-----	---	
SUB(3)	-----	---	
CONTROL	FDC (P)	GUN NUMBER X/X	
CHANGE TO BACKUP?		YES	NO

	URN	PHYSICAL	BROADCAST
PALADIN	1 6 7 7 7 2 1 4	D	C
FDC(P)	* -----	* ---	
FDC(B)	-----	---	
SUB(1)	-----	---	
SUB(2)	-----	---	
SUB(3)	-----	---	
CONTROL	FDC (P)	GUN NUMBER X/X	
SELECT	USE ALL	DELETE	CANCEL

06pc301a

Softkey sequencing shall be as follows:

- **USE ALL** - If any selection is marked with an asterisk (*), the following message is displayed: "CLEAR *ASTERISKS* TO CONTINUE" "ACK"
If a subscriber entry line is incompletely defined (URN defined and Address not defined, or Address defined and URN not defined), then the following message is displayed: "INCOMPLETE ADDRESS XXXXXX", "ACK"
Where "XXXXXX" identifies the incomplete subscriber: FDC(P), FDC(B), SUB(1), SUB(2) OR SUB(3).
If all asterisks are cleared, the address information shall be saved and control transitions to TACFIRE NETWORK SETTINGS.
- **DELETE** - Allows the operator to delete the currently boxed URN or address value. The following message will be displayed: "DELETE ADDRESS" "YES" "NO"
If NO is selected, no changes are made.
If YES is selected, current selection is deleted, and its value displayed as a dashed value.
Pressing the DELETE softkey when Control FDC selection is boxed will have no effect.
- **CANCEL** - Disregards any changes made to the addresses and control transitions to TACFIRE NETWORK SETTINGS.

N-6 AFCS INITIALIZATION - CONTINUED

N-6.2 Initializing - Continued

k. TACFIRE Network Settings - Gun Number Display.

Softkey sequencing shall be as follows:

- **SELECT** - Selects the gun number currently boxed, and assigns it as the gun number for the AFCS address. Control then transitions to TACFIRE NETWORK ADDRESSES.
- **CANCEL** - Allows the operator to exit the screen without making any changes. Control then transitions to TACFIRE NETWORK ADDRESSES.

The screenshot shows a rectangular window titled "TACFIRE NETWORK SETTINGS". Below the title is a horizontal line, followed by the text "GUN NUMBER". Below this is another horizontal line. The main area contains a list of four pairs of options: "1/1" (with a small box around it), "2/1", "1/2", "2/2", "1/3", "2/3", and "1/4", "2/4". At the bottom of the window are two dark rectangular buttons labeled "SELECT" and "CANCEL".

06pc300f

- i. Other Initialization Steps. When NETWORK has been initialized, a SETUP AND INFORMATION menu will be displayed. There are two pages to this menu. By pressing NEXT PAGE key, second page will be displayed.

NOTE

- Items marked with an asterisk (*) must be entered to complete initialization process. Without these data entries, the system will not be completely initialized and the AFCS will not be able to receive a mission. The AFCS will automatically move the cursor box to the next item that as an asterisk (*) each time initialization of a particular item has been completed.
- The NAV UPDATE selection will be blank when a command has been sent to the navigation subsystem and has not yet been completed.
- During initialization, certain items will not appear. These items become available following completion of initialization.
- If the AFCS has a valid NVM, the FAST INIT softkey will be available during initialization. Pressing the FAST INIT softkey will clear the asterisk (*) from the FDC DATA XFER, AMMO INVENTORY, PROP TEMP, and TOTAL RESPONSE fields.

N-6 AFCS INITIALIZATION - CONTINUED

N-6.2 Initializing - Continued

SETUP AND INFORMATION	
DIRECT FIRE	TOT RESPONSE
FIRE COMMANDS	LOAD ELEVATION
SET DATE/TIME	SECTOR OF FIRE
FDC DATA XFER	RECEIVED MSG
SPHEROID/DATUM	WARNING MSG
NAV UPDATE	MAX TUBE EL
AMMO INVENTORY	SITE DATA
PROP TEMP	SEND CHECKFIRE
SELECT	NEXT PAGE
	CANCEL

SETUP AND INFORMATION	
LAST MOVE ORDERS	STORED TARGETS
TUBE TEMPERATURE	AFCS STATUS
NETWORK	DISPLAY FORMAT
RESET TCIM	DISPLAY INTENSITY
MUZZLE VELOCITY	MANUAL MOVE ORD
SYSTEM RESTART	GPS CONTROL
MAINTENANCE	RECORD OF FIRE
IFS	FIRE MISSION MODE
SELECT	NEXT PAGE
	CANCEL

06pc248ta

Steps of other initialization data entry are done as follows:

- (1) SET DATE/TIME Group - This data is required for proper communications and is used for TOT data and other time related tasks and missions. From SETUP AND INFORMATION menu, box in SET DATE/TIME. Press SELECT key. This will cause a SET DATE/TIME Group menu to be displayed. If GPS data is available select USE GPS. Note, GPS Time is ZULU (Greenwich Mean Time) when USE GPS selected, all times will be aligned to ZULU (Local ZULU and GPS). If GPS data is not available or if POC has instructed you not to use GPS proceed as follows:
 - (a) Enter two digits each for Year, Month, Date, Hour and Minute into boxed-in area.
 - (b) If a mistake is made prior to typing in all ten digits, press CLR key and try again. If all ten digits have been typed in, then menu will automatically show a SET DATE/TIME GROUP display with prompt.
 - (c) If incorrect data has been typed in after all 10 digits have been entered, press CANCEL key. This will return display to SET DATE/TIME menu. Then proceed with reentering correct data for Date/Time Group.
 - (d) To ensure proper time synchronization between the AFCS and POC/FDC, a countdown to MARK should be controlled by the POC. If data is correct when MARK is announced by POC, press MARK key to start the clock. This will return the display to the SETUP AND INFORMATION menu.
 - (e) Date/Time setting on system - Defaults to system clock if no other input is entered in. FDC and the AFCS messages will be rejected if more than 60 minutes difference between FDC time and AFCS time has elapsed. Unit SOP needs to be in real Date/Time.

N-6 AFCS INITIALIZATION - CONTINUED

N-6.2 Initializing - Continued

SET LOCAL TIME

ZULU	TIME	IS	99:02:05:1230
LOCAL	TIME	IS	99:02:05:1230
GPS	TIME	IS	99:02:05:1230
TIME ZONE			Z
DAYLIGHT SAVINGS			STANDARD
SET LOCAL TIME			--:--:--:--:--

06pc180td

1

TYPE IN NEW DTG - YY:MM:DD:HHMM = Shall appear below the SET LOCAL TIME row upon entry to display above menu. Operator must enter date in format displayed (YY:MM:DD:HHMM). Operator may press CLEAR any time to reset entry. The year must be entered in two-digit format in the range of 0-99.

PRESS MARK TO SET LOCAL TIME = Shall appear below the SET LOCAL TIME row upon entry of the last digit of the minute.

2

MARK = The MARK key shall be displayed upon entry of the last digit of the minute. When the MARK key is pressed the Local Time shall be processed and returned to the SET UP AND INFORMATION menu.

INVALID DTG VALUE **ACK** = If an invalid DGT is entered, this error shall be displayed to the operator. Press "ACK" and re-enter the date and time.

3

CANCEL = When PRESS MARK TO SET LOCAL TIME is displayed and the CANCEL key is pressed the SET LOCAL TIME entries shall be cleared and the operator shall be able to enter a new LOCAL TIME.

= When the CANCEL key is pressed under all other conditions to display the SETUP AND INFORMATION menu will be displayed.

Date/Time setting on System - Defaults to system clock if no other Input is recorded in FDC and AFCS. Messages will reject if more than 60 minutes has elapsed. Unit SOP needs to be in real Date/Time.

N-6 AFCS INITIALIZATION - CONTINUED

N-6.2 Initializing - Continued

NOTE

- The FDC data transfer must be done each time you initialize the AFCS, if the FDC is operational.
 - AFCS will disable the capability of the operator to send SITE DATA (Mask), AMMO STATUS, GEOMETRIES (SFA) or RECORD OF FIRE data when not available by suppressing their display on the FDC DATA TRANSFER display.
 - Selection of FDC DATA XFER during initialization (first selection only) will cause the GET INITIALIZATION field to be boxed and "ARE YOU SURE?" prompt to appear.
- (2) FDC DATA XFER - To get initialization data from the POC/FDC, box in FDC DATA XFER and then press SELECT key. This will cause a FDC DATA XFER menu to be displayed with INITIALIZATION already boxed and Operator Alert. Pressing YES key will send a request to POC/FDC for needed data. Data includes: Subscriber File Message, Map Modification Input Message, Computer Meteorological Message, and Registration Data Input Message. This ensures that operator can properly communicate with other subscribers and can compute fire mission accurately. If NO ACK REQ INIT is displayed, contact POC to ensure that proper initialization has taken place. Repeat procedure if required. When initialization is complete, press CANCEL key.

If FDC DATA XFER does not have an asterisk (*), then pressing the SELECT key will cause a FDC DATA XFER menu to be displayed without INITIALIZATION boxed. Box in INITIALIZATION and press SELECT key to provide the Operator Alert. Pressing YES sends the request to POC/FDC as described above.

SETUP AND INFORMATION	
<ul style="list-style-type: none"> * SET DATE/TIME * FDC DATA XFER * SPHEROID/DATUM * NAV UPDATE * AMMO INVENTORY * PROP TEMP 	<ul style="list-style-type: none"> * TOT RESPONSE * LOAD ELEVATION * SECTOR OF FIRE RECEIVED MSG WARNING MSG MAX TUBE EL SITE DATA SEND CHECKFIRE
<div style="display: flex; justify-content: space-between;"> SELECT NEXT PAGE FAST INIT </div>	

FDC DATA TRANSFER	
<p style="text-align: center;">SEND</p> <ul style="list-style-type: none"> PIECE STATUS SITE DATA MVV DATA AMMO STATUS GEOMETRIES RECORD OF FIRE 	<p style="text-align: center;">GET</p> <ul style="list-style-type: none"> INITIALIZATION MOVE ORDERS MVV DATA PIECE STATUS SITE DATA AMMO STATUS
<div style="display: flex; justify-content: space-between;"> SELECT CANCEL </div>	

06pc323t

SELECT softkey - The following message will be displayed:
 "ARE YOU SURE?" "YES" "NO"

CANCEL softkey - Selection of of this key will transition display back to the SETUP AND INFORMATION screen without cancelling any SEND or GET requests.

N-6 AFCS INITIALIZATION - CONTINUED

N-6.2 Initializing - Continued

- (3) SELECT SPHEROID/DATUM -The FDC DATA XFER, INITIALIZATION data includes a SPHEROID/DATUM.

NOTE 1 → SPHEROID USRDEF GRID ZONE 1 ← NOTE 3
 DATUM USRDEF

NOTE 2 → DATUM OFST X +0.1 Y +0.0 Z +0.0
 SPHEROID MAJ 6378137.00 MIN 6356752.31

SELECT **USE ALL** **CANCEL**

06pc249tb

Check to see if all the data is correct. If it is correct, press the USE ALL key, and proceed with the initialization. If an entry is not correct, select that field and make corrections.

- NOTE 1 Selection of this field will display SELECT SPHEROID Menu.
- NOTE 2 Field is only present if user defined (USRDEF) SPHEROID is used. modifiable.
- NOTE 3 When GRID ZONE is selected the following will be displayed:

SPHEROID/DATUM ENTRY

SPHEROID WE GRID ZONE 1
 DATUM WE

TYPE GRID ZONE
 1 TO 60
 - PRESS ENT KEY -

CANCEL

06pc250ta

SELECT SPHEROID

AN	AUSTRALIAN NATIONAL
BR	BESSEL 1841
BN	BESSEL NAMBIA
CC	CLARKE 1866
CD	CLARKE 1880
EB	EVEREST (BRUNEI)
EA	EVEREST (1830)
EC	EVEREST (1956)

MORE BELOW

SELECT **CANCEL**

06pc251ta

When more than one page is required to display choices, scrolling shall be enabled and "MORE BELOW" or "MORE ABOVE" will be displayed.

N-6 AFCS INITIALIZATION - CONTINUED

N-6.2 Initializing - Continued

Enter the defined SPHEROID, PRESS the SELECT softkey and the SELECT DATUM menu will be displayed. Refer to Tables in Appendix J.1 for SPHEROID listings.

Softkey sequencing shall be as follows:

1. If USRDEF is boxed in and SELECTED then the ENTER USER DEFINED SPHEROID MAJOR AXIS menu will be displayed.
2. If any other SPHEROID is SELECTED then the SELECT DATUM menu will be displayed to force SELECTION of the DATUM.
3. If CANCEL, then the SPHEROID/DATUM menu will be displayed.

Maps are based upon a “reference datum”. This is really the model of the Earth that the cartographer uses when making a map. The reference datum consists of two parts, the spheroids and the datum offsets.

The Earth is really not a perfectly round globe but is a little “fatter” at the equator. Therefore, the mapmaker uses a spheroid rather than a globe to describe the Earth’s shape. Instead of just using one radius as one would do to describe a globe, two values are used. The first is the semi-major axis. It is the radius of the Earth at the equator. The second number is the semi-minor axis. It is the distance from the center of the Earth to the poles. It is slightly smaller than the semi-major axis. (The WGS 84 model of the Earth uses a semi-major axis of 6,378,137 meters and 6,356,752 meters for the semi-minor axis).

The cartographer may choose to base his model of the Earth’s surface using a center point that is different from the true center of the Earth. This offset of the center point is described by three “datum offset” values: delta X, delta Y, and delta Z. These values are typically a few hundred meters.

There are many standard spheroid and datums commonly used for maps. If the spheroid/datum is not supplied by a message from FDC, the AFCS operator will be told to select a certain spheroid and datum at the display unit. The starting point for entering this data is the SPHEROID/DATUM display.

The spheroid is selected using the SELECT SPHEROID sub-display. This display lists choices. It is possible to use spheroid values different from the ones in the display lists. The different values are entered as “user defined”. This is selected by the USRDEF option listed as a choice for a spheroid. If the operator selects USRDEF, other sub-displays prompt him to enter the semi-major and semi-minor axis. These values must be obtained from the POC and should only be used with guidance from Battery Commander.

ENTER USER DEFINED SPHEROID MAJOR AXIS

6378137.00

TYPE VALUE
BETWEEN 6376137.00 AND 6380137.00
- PRESS ENT KEY -

CANCEL

06pc252td

1. Any unedited DATA fields remain at their current values when ENT is pressed.
2. Enter the appropriate value and press ENT key. The USER DEFINED SPHEROID MINOR AXIS menu will be displayed.

N-6 AFCS INITIALIZATION - CONTINUED

N-6.2 Initializing - Continued

3. If the CANCEL key is selected, the SELECT SPHEROID menu will be displayed.

ENTER USER DEFINED SPHEROID MINOR AXIS

6356752.31

1

CANCEL

06pc252tf

1. TYPE VALUE BETWEEN XXXXXXXX.XX AND YYYYYYYY.YY PRESS ENT KEY

Where XXXXXXXX.XX and YYYYYYYY.YY are the minimum and maximum allowable values for the semi-minor axis, which will appear after entry into this screen.

1. Any unedited DATA fields remain at their current values when ENT is pressed.
2. Enter the appropriate value and press ENT key. The CONFIRM USER DEFINED SPHEROID AXIS menu will be displayed.
3. If the CANCEL key is selected, the ENTER USER DEFINED SPHEROID MAJOR AXIS menu will be displayed.

CONFIRM USER DEFINED SPHEROID AXES

SEMI - MAJOR AXIS 6378137.00
SEMI - MINOR AXIS 6356752.31

USE ALL CANCEL

06pc252te

Softkey sequencing shall be as follows:

If **CANCEL** , then ENTER USER DEFINED SPHERIOD MINOR AXIS menu will be displayed.

If **USE ALL** , then the SELECT DATUM menu will be displayed.

The datum offset is selected using the SELECT DATUM sub-display. This display lists valid choices listed by an alphabetic code. It is possible to use datum offset values different from the ones in the display lists. The different values are entered as "user defined". This is selected by the USRDEF option listed as a choice for a datum offset. The datum offset values are entered using the ENTER USER DATUM PARAMETERS sub-display. The offset values are listed as DATUM OFFSET X, Y, and Z.

N-6 AFCS INITIALIZATION - CONTINUED

N-6.2 Initializing - Continued

NOTE - Continued

- The FDC can provide the SPHEROID. The SPHEROID selected will determine which DATUM IDs will be available for selection. The AFCS/FDC SPHEROID and DATUM TABLE provides the SPHEROID number for the AFCS and FDC, which DATUM IDs are available, in Appendix J.1, for that SPHEROID number and the normal coverage area. Note that there may be more than one DATUM ID associated with a Local DATUM because the shifts vary by locality. For other DATUMS or areas outside the indicated coverage area, User Defined (USRDEF) Datum shifts may be entered manually. The table is not intended as an absolute. A map sheet will identify the DATUM name, Ellipsoid (SPHEROID) name and the coordinate type, or the map sheet will identify the area. The data from a Trig list should identify the same information. These parameters must be correlated to the DATUM ID. If the applicable DATUM hasn't been programmed in the AFCS, shift parameters for many other DATUMS and regions have been published in DMA TR 8350.2 and may be entered thru the DATUM X, Y, and Z OFFSETS. Note that the AFCS cannot accept shift parameters for all DATUMS because its SPHEROID capability is limited to those listed in the AFCS/FDC Spheroid and Datum table in Appendix J.1.

If the DATUM USRDEF is selected, then the DATUM X, Y, and Z offsets must be entered. These values must be obtained from the POC and should only be used with guidance from Battery Commander.

The ENTER USER DATUM PARAMETERS page should look like:

06pc254ta

- When field selected:
TYPE OFFSET
BETWEEN -2000.0 AND +2000.0
-PRESS ENT KEY-
- When field selected:
Otherwise:
- When no fields are selected:
Otherwise: BLANK

NOTE

Any un-edited DATA fields remain at their current values when USE ALL key is pressed.

Softkey sequencing shall be as follows:

- If , then the SELECT DATUM menu will be displayed.
- If , then the ENTER SPHEROID/DATUM ENTRY menu will be displayed.
- If is selected, all information up to this point will be deleted.

N-6 AFCS INITIALIZATION - CONTINUED

N-6.2 Initializing - Continued

SPHEROID/DATUM ENTRY

SPHEROID	USRDEF	GRID ZONE	1
DATUM	USRDEF		

DATUM OFST X +0.1 Y +0.0 Z +0.0
 SPHEROID MAJ 6378137.00 MIN 6356752.31

SELECT USE ALL CANCEL

06pc270ta

If **USE ALL** is selected, all information will be locked in and the SETUP AND INFORMATION MENU will be displayed.

(4) NAV UPDATE - Navigation Subsystem Update is performed as follows:

- (a) With the Gun Tube in Travel Lock, park the howitzer at a known Survey Control Point (SCP) with the left sprocket within one meter of SCP.
- (b) Box in *NAV UPDATE and press the SELECT softkey. This will bring up the NAVIGATION SUBSYSTEM UPDATE menu.

NAVIGATION SUBSYSTEM UPDATE

EASTING	GET LAST MOVE ORD	SEE NOTE 1
NORTHING	GET CURR NAV POSN	SEE NOTE 2
ALTITUDE	GET FDC RPT POSN	SEE NOTE 3
GRID ZONE	GET LAST ENT POSN	SEE NOTE 4
HEMISPHERE	GET CURR GPS POSN	SEE NOTE 5

SPHEROID ①
 DATUM

③

SELECT ② CANCEL

06pc188ta

N-6 AFCS INITIALIZATION - CONTINUED

N-6.2 Initializing - Continued

NOTE

The datum to be used is selected from the SETUP AND INFORMATION menu (Enter MAP/DATUM menu)

- ① This field contains OPERATOR PROMPTS and selections which depend on the current status of the NAVIGATION SUBSYSTEM
- ② When ALTITUDE SELECTED - **+/-**
otherwise - **USE ALL**
- ③ This field contains OPERATOR PROMPTS for updating the values of: EASTING, NORTHING, ALTITUDE, and GRID ZONE:
When EASTING is selected:
Type EASTING 1 to 999999
Press ENT key
When NORTHING is selected:
Type NORTHING 0 to 9999999
Press ENT key
When ALTITUDE is selected:
Type ALTITUDE -400 to 9999
Press ENT key
When GRID ZONE is selected:
Type GRID ZONE XX, YY, or ZZ
Press ENT key
Where XX, YY, and ZZ are dependent on the Grid Zone (GZ) previously entered on the SPHERIOD/DATUM display. XX identifies the GZ to the west of the entered GZ, YY is equal to the entered GZ and ZZ identifies the GZ to the east of the entered GZ.
HEMISPHERE = NORTH or SOUTH
SPHEROID = 1 . . 9 and A . . I and USRDEF (not modifiable by operator)
DATUM = See AFCS/FDC Spheroid and Datum table in appendix J.1 (not modifiable by operator on this display).

NOTE 1: Blank if no Move Order occurred since the last power up of the AFCS.

NOTE 2: Blank when Navigation Subsystem is not available.

NOTE 3: Available if position data has been sent from the FDC. Selection disappears when AFCS operator performs Nav Update or Move Order.

NOTE 4: Last coordinates on which position update was performed. Blank if operator has pressed the ARRIVED key at a position area since the last position update.

NOTE 5: Field is blank when the following conditions exist:

- a. Navigation subsystem functionality not currently available.
- b. GPS position data not currently available from the Navigation subsystem.
- c. The GPS position data currently available has an estimated probable error greater than the navigation devices' "poor GPS data limit".

If the available GPS data has an estimated probable error greater than the Navigation device "Good GPS data limit", but less than or equal to the navigation device "Poor GPS data limit" when this menu item is selected, then the following alert will be placed on the softkey line:

USE DGRD GPS DATA? YES NO

If the YES softkey is pressed, then the available GPS data shall be used to update the listing, Northing, and Altitude fields on the menu. If the NO softkey is pressed, then the Easting, Northing, and Altitude fields on the menu will not be updated with the available GPS data.

N-6 AFCS INITIALIZATION - CONTINUED

N-6.2 Initializing - Continued

- (c) Operator warning/alerts - When USE ALL is selected and the coordinate data entered does not correlate with the other data the following messages will be displayed:
1. "POSITION COORDINATES INVALID" and "RE-ENTER VALUE ACK" when the local UTM coordinate does not transform to WGS 84.
 2. "NORTHING VALUE NOT VALID" and "RE-ENTER VALUE ACK" when the entered Northing coordinate is invalid when correlated with other entered data.
 3. "EXCEEDED 84N OR -80S LATITUDE" and "RE-ENTER VALUE ACK" when the latitude does not correlate with the local UTM to WGS 84 transformation.

If the operator attempts to enter a position that is more than one grid zone away, then the AFCS will revert to the default value of 500000 E and 0 N in the current gridzone with no warnings.

If operator selects GET LAST ENT POSN on the NAV UPDATE screen, AFCS will display the last data that was entered when operator selected USE ALL while conducting a position update. The AFCS will suppress the GET LAST ENT POSN entry once the Paladin moves and arrives at a new location (INIT, LOG, FIRE PT, or FIRE AREA).

NOTE

Perform the following steps in accordance with unit SOP.

- (d) RESTART REQUIRED - This prompt will appear in field (1). With the gun tube in travel lock, the Howitzer must be positioned at a Survey Control Point (SCP) with the left front sprocket within one meter on the SCP. No selection of RESTART REQUIRED is required, it will happen automatically and a full alignment will be performed. Enter the SCP data of EASTING, NORTHING ALTITUDE and GRID ZONE. When all data is entered, double check the SCP coordinates and SPHEROID/DATUM and HEMISPHERE displayed on the screen. If it is not correct, make any correction. If it is correct, press the USE ALL softkey. The following prompt will be displayed:

"NAV POSITION UPDATE ABOUT TO START" "ARE YOU SURE" "YES" "NO"

Press the YES softkey, and the Navigation Position Update will be started. The SETUP AND INFORMATION menu will appear. The prompt CMD will appear in field (6), and then be replaced by the Align Time to Go countdown. Proceed with the rest of Initialization.

- (e) NAV POSITION UPDATE - If this prompt is displayed in field (1), then only a Navigation Subsystem Position Update is required. With the gun tube in travel lock, the Howitzer must be positioned at a Survey Control Point (SCP), with the left front sprocket within one meter of the SCP. Enter the SCP data of EASTING, NORTHING and ALTITUDE. When all data is entered, double check the SCP coordinates and SPHEROID/DATUM, GRID ZONE and HEMISPHERE displayed on the screen. If it is not correct, make any correction. If it is correct, press the USE ALL softkey. The following prompt will be displayed:

"NAV POSITION UPDATE ABOUT TO START" "ARE YOU SURE" "YES" "NO"

Press the YES softkey, and the Navigation Position Update will be started. The SETUP AND INFORMATION menu will appear. The prompt CMD will appear in field (6), and then be replaced by the Align Time to Go countdown. Proceed with the rest of Initialization.

- (f) NAV RESTART - If the prompt NAV POSITION UPDATE is highlighted and selected, a message prompt "CHANGE TO RESTART" "YES" "NO" will appear. Press the YES softkey. "FORCE NAV RESTART" will appear. Press USE ALL then press the YES softkey to "ARE YOU SURE" prompt, the SETUP AND INFORMATION menu will be displayed and CMD will be displayed in field (6). This will be replaced with the Align Time to Go count down timer. The Navigation Subsystem aligns itself automatically.

N-6 AFCS INITIALIZATION - CONTINUED

N-6.2 Initializing - Continued

NOTE

The Navigation Subsystem has 3 modes of alignment; Stored Heading Alignment, Normal Alignment and Dynamic Alignment.

1. Stored Heading Alignment - Will occur only if the previous AFCS shutdown was orderly and the Howitzer or Turret has not moved since the last shutdown. This Alignment will take a maximum of 90 seconds, and will start as soon as the power is applied to the Navigation Subsystem. A NAV UPDATE is still required. But since the Howitzer has not moved since the last shutdown, all the NAV UPDATE data should be correct and only pressing the USE ALL softkey is required. If the Howitzer has been moved since the last shutdown, or the last shutdown was abnormal, or the Howitzer was moving during the last shutdown procedure, the Stored Heading Alignment will automatically be rejected and after a NAV UPDATE is performed the Navigation Subsystem will automatically perform a Normal Align.
2. Normal Alignment - Will occur when ever a Stored Heading Alignment cannot be performed. This alignment will take a maximum of 15 minutes (900 seconds). After the NAV UPDATE is performed and accepted, the Normal Alignment will automatically start, and the Align Time to Go counter will start counting down to 0. During the countdown, a message "OK TO MOVE OR SHOOT" "ACK" may appear before the countdown reaches 0. This means the Navigation Subsystem estimated Azimuth Error is within the bounds that are safe to move or shoot. At this point, a Move Order or Fire Missions may be performed. If the PLGR/DAGR data is valid (i.e. the "A" is gone) the Align Time to Go counter will continue to countdown while the Howitzer is moving. If the PLGR/DAGR is not valid (i.e. "A" is on), the timer will stop counting during movement and ZUPTs will be requested.
3. Dynamic Alignment - A Dynamic Alignment is nothing more than a moving Normal Alignment, but the following conditions must be met: The PLGR/DAGR must have data (i.e. the "A" is gone) and a NAV UPDATE must have been performed prior to movement. If these conditions are true, then the Howitzer may be moved before the "OK TO MOVE OR SHOOT" "ACK" is displayed. Move Orders and Fire Missions cannot be performed, but as long as the PLGR/DAGR is valid (i.e. the "A" is gone), the Align Time to Go timer will continue to countdown and the Navigation Subsystem will not require a RESTART. Moving prior to the "OK TO MOVE OR SHOOT" "ACK" must be done in accordance with Unit SOP.

NOTE

AFCS supports two modes of Navigation Update; a Position Update and a Navigation Subsystem Restart. Normally, the Navigation Subsystem will align itself automatically, so only a Position Update is required.

- (g) To perform a NAV Position Update, if entries are correct per unit SOP. If incorrect, this indicates that FDC DATA Transfer of the Map Mod was not successful in the previous step; press CANCEL, to return to the SETUP AND INFORMATION menu and repeat the FDC DATA XFER procedure to get initialized by FDC. If GRID ZONE, HEMISPHERE and SPHEROID entries are correct, then enter, in turn, EASTING, NORTHING, and ALTITUDE as follows: for each item, first box in the item, then press SELECT key. Use keypad to type in value. Press ENT key. Press USE ALL to complete the NAV UPDATE and return to the SETUP AND INFORMATION menu.

If invalid data is entered, the Navigational System will reject it and ask for data re-entry. Press ACK key to acknowledge Alert and re-enter data.

N-6 AFCS INITIALIZATION - CONTINUED

N-6.2 Initializing - Continued

06pc324ta

- (5) AMMO INVENTORY - Ammunition inventory must be done before the AFCS will accept a fire mission. Inventories must be complete and accurate before the system initialization is completed. The three parts of the inventory records, Shells, Propellants, and Fuzes, are updated as follows:
 - (a) Box in AMMO INVENTORY from the SETUP AND INFORMATION menu. Then press SELECT key. This will cause an INVENTORY MANAGEMENT menu to be displayed. Box in either EDIT CURRENT PALADIN or EDIT FDC PROVIDED data. Press SELECT key. This will cause an INVENTORY MANAGEMENT menu to be displayed.

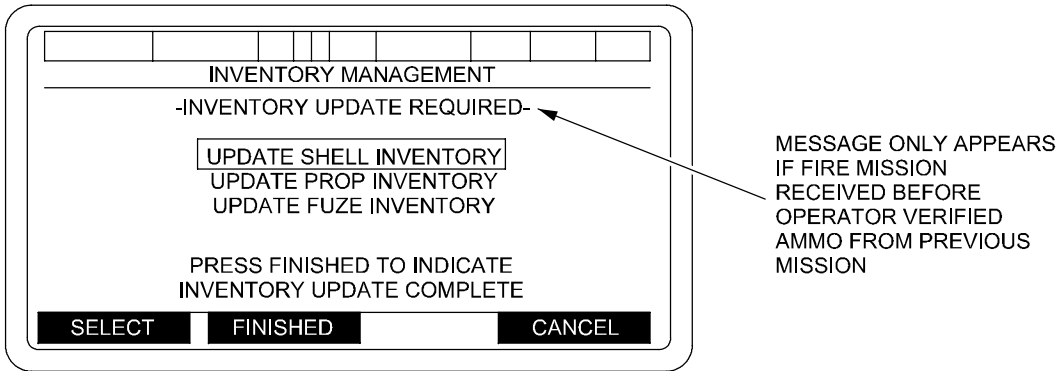
06pc654ma

NOTE

- This menu will not be displayed when FDC provided inventory data is not available at the AFCS.
- You can request the POC to provide your Ammo Inventory from the FDC if you know it is a correct count. Use FDC DATA XFER to GET AMMO STATUS (para N-6.2.I(2)).

N-6 AFCS INITIALIZATION - CONTINUED

N-6.2 Initializing - Continued

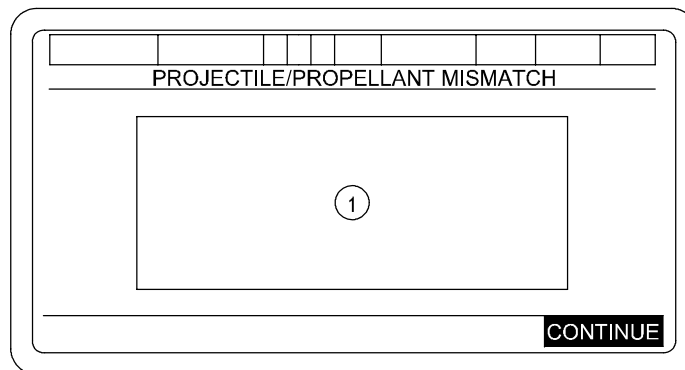


06pc118mb

NOTE

If a Fire Mission is activated while in the UPDATE FUZE INVENTORY submenus, all valid complete entries with consistent fuze country code matches will be saved. The Paladin will save complete projectile/propellant entries when the FINISHED softkey is pressed.

FINISHED = When the FINISHED key is pressed the ammunition inventory shall be reviewed to insure each group of projectiles has at least one propellant and each group of propellants has at least one projectile. If a projectile is found without a propellant or a propellant without a projectile, the AFCS will display PROJECTILE/PROPELLANT MISMATCH menu.



06pc189ta

CONTINUE = Will display INVENTORY MANANGEMENT menu.

① = NO ** PROJECTILE and or NO ** PROPELLANT MATCH for each country.
 ** = BE, CA, DA, FR, GE, IT, NL, NO, PO, SP, US or UK

NOTE

Use Up and DOWN keys to scroll.

(b) Box in UPDATE SHELL INVENTORY. Press SELECT key. This will cause an UPDATE SHELL INVENTORY menu to be displayed.

N-6 AFCS INITIALIZATION - CONTINUED

N-6.2 Initializing - Continued

TYPE	LOT	WT	ONH	+/-	CC
M107DC	A	4SQ	250	0	US
M712	B	4SQ	250	0	US
M731	C	4SQ	250	0	US
M898	D	4SQ	250	0	US
-----	-	----	----	---	--

06pc190tb

NOTE

- When USE ALL key is selected to update inventory, it will automatically forward to the INVENTORY MANAGEMENT screen.
 - Pressing the DELETE key will cause the selected shell to be deleted from inventory no matter where on the inventory line the selection box is positioned.
 - If the operator presses the DELETE key or attempts to modify the lot for a shell that is currently being used for a fire mission, the AFCS operator warning "UNALLOWED - BEING USED BY FM" "ACK" will be displayed.
- (c) To add a new entry, box in the first blank line. Press SELECT key. This will cause an UPDATE SHELL INVENTORY-SELECT SHELL TYPE menu to be displayed.

NOTE

When more than one page is required to display choices, MORE BELOW and/or MORE ABOVE may be used to navigate between screens.

TYPE	LOT	WT	ONH	+/-	CC
M107DC	M110		M110A1		M110A2
M116A1	M449A1		M483A1		M485A1
M485A2	M549		M549A1		M692
M712	M718		M718A1		M731
M741	M741A1		M795		M825
M825A1	M864		M864A1		M898

06pc191ff

N-6 AFCS INITIALIZATION - CONTINUED

N-6.2 Initializing - Continued

INITIALLY BOX SHELL TYPE FROM THE SELECTED INVENTORY ENTRY OR BOX THE FIRST ITEM IF A BLANK LINE WAS SELECTED

UPDATE SHELL INVENTORY				SELECT SHELL TYPE	
TYPE	LOT	WT	ONH	+/-	CC
-----	-	----	----	---	US
MORE ABOVE					
M825A1		M864	M864A1	M898	
XM982		M982	DM702	DM702A1	
0155ACF1		155BONUS			

COUNTRY OF ORIGIN

SELECT **CANCEL**

06pc191te

- (d) Press SELECT key to display a SELECT LOT menu.
- (e) Box in Lot choice and press SELECT key. This will cause a lot designator to be assigned to the selected shell. Once a lot selection is made, that designator (letter) will disappear. This prevents using same lot twice.

INITIALLY BOX LOT FROM SELECTED INVENTORY ENTRY (IF BLANK LINE NOT SELECTED) OTHERWISE BOX THE FIRST AVAILABLE UNUSED LOT
BLANK ALL USED LOTS EXCEPT THE LOT FROM THE SELECTED INVENTORY ENTRY (IF A BLANK LINE NOT SELECTED)

UPDATE SHELL INVENTORY				SELECT LOT	
TYPE	LOT	WT	ONH	+/-	CC
_____	_____	_____	_____	---	US
	B	C	D	E	F
G	H	I	J	K	L
M	N	O	P	Q	R
S	T	U	V	W	X
Y	Z				

COUNTRY OF ORIGIN

SELECT **CANCEL**

06pc192ta

NOTE

Weight will be displayed in pounds or squares.

- (f) Box in WT choice and press SELECT key; an ENTER SHELL WEIGHT menu will be displayed. If shell weight is not the same as default weight, type in new weight and press ENT key. This will cause the UPDATE SHELL INVENTORY-UPDATE QUANTITY menu to be displayed.

N-6 AFCS INITIALIZATION - CONTINUED

N-6.2 Initializing - Continued

ENTER SHELL WEIGHT

TYPE	LOT	WT	ONH	+/-	CC
_____	_____	_____	_____	_____	US

WT

TYPE WEIGHT IN POUNDS BETWEEN _____ AND _____
- PRESS ENT KEY -

CANCEL

06pc193ta

- (g) Move box to proper column (ONH, ADD or SUB) in desired line and press SELECT key. A prompt to TYPE SHELL QUANTITY will be displayed. Type in new quantity and press ENT key. New quantity will be displayed.
- (h) When all shell data has been updated or edited, press USE ALL key to return to INVENTORY MANAGEMENT menu.

UPDATE SHELL INVENTORY UPDATE QUANTITY

TYPE	LOT	WT	ONH	+/-	CC
_____	_____	_____	<input type="text"/>	_____	US

TYPE SHELL QUANTITY -PRESS ENT KEY-

CANCEL

UPDATE SHELL INVENTORY UPDATE QUANTITY

TYPE	LOT	WT	ONH	+/-	CC
_____	_____	_____	_____	+	US

TYPE SHELL QUANTITY -PRESS ENT KEY-

+/-

CANCEL

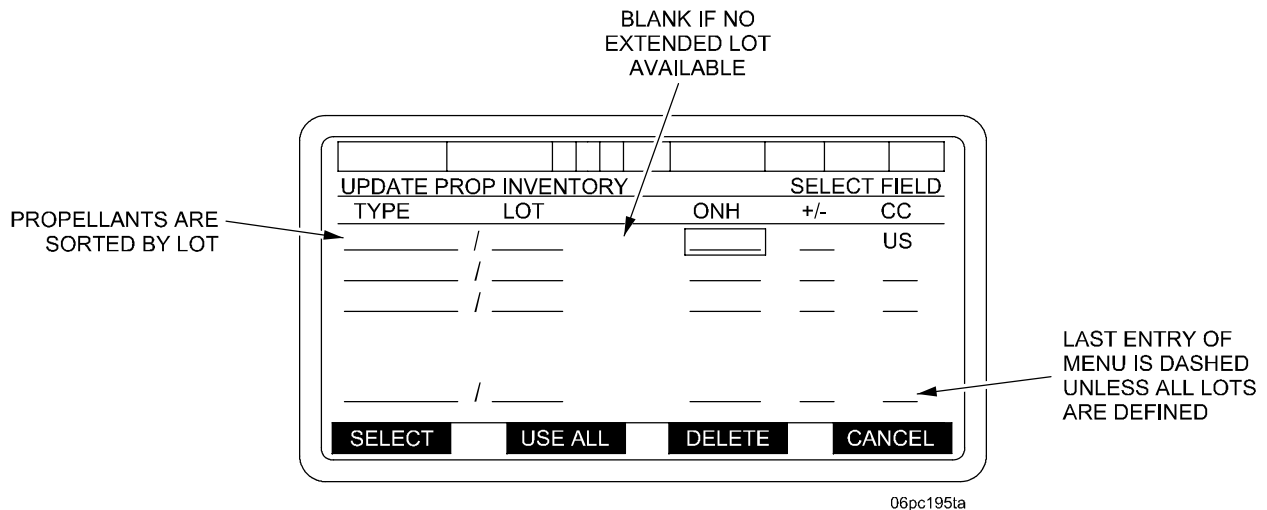
06pc194ta

N-6 AFCS INITIALIZATION - CONTINUED

N-6.2 Initializing - Continued

NOTE

- The +/- softkey will appear when the +/- column is selected. If you select the ONH column, the +/- softkey will not appear.
- Minus values must not exceed the amount on-hand. Plus values must not cause the on-hand total to exceed 9999. Either of these conditions shall cause the error message: "VALUE TOO SMALL" "ACK" or "VALUE TOO BIG" "ACK".
- (i) Box in UPDATE PROP INVENTORY on INVENTORY MANAGEMENT (UPDATE) menu. Press SELECT key to display UPDATE PROP INVENTORY menu.



NOTE

- The DELETE key shall cause the selected propellant to be deleted from inventory no matter where on the inventory line the selection box is positioned.
- If the operator presses the DELETE key or attempts to modify the lot for a propellant that is currently being used for a fire mission, the AFCS shall display the operator warning "UNALLOWED - BEING USED BY FM" "ACK".

N-6 AFCS INITIALIZATION - CONTINUED

N-6.2 Initializing - Continued

- (j) To add a new entry, box in the first blank line on UPDATE PROP INVENTORY menu. Press SELECT key to display SELECT PROP TYPE menu. Box in propellant type and press SELECT key.

NOTE

The data displayed on the third line of this display is that given in the selected inventory entry (either a blank line or an existing entry) and is updated as entries are made.

INITIALLY BOX THE PROP TYPE FROM THE SELECTED INVENTORY ENTRY OR BOX THE FIRST ITEM IF A BLANK LINE WAS SELECTED

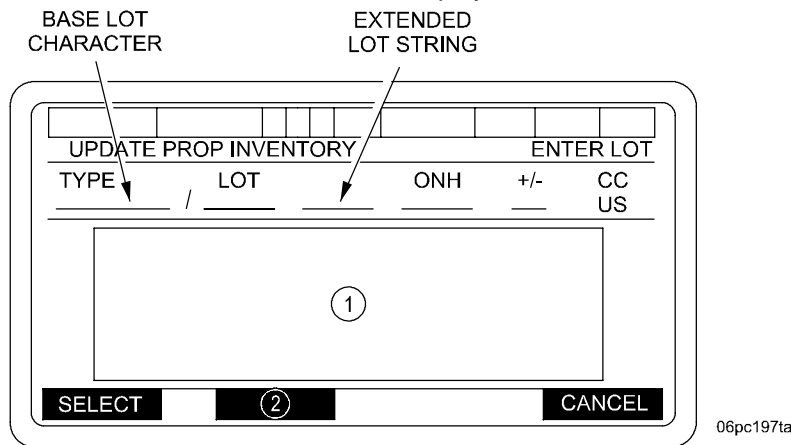
UPDATE PROP INVENTORY		SELECT PROP TYPE		
TYPE	LOT	ONH	+/-	CC
-----	-----	----	---	US
M3A1	M4A1	M4A2	M119A1	
M119A2	M203	M203A1	M231	
M232	M232A1			

06pc196tc

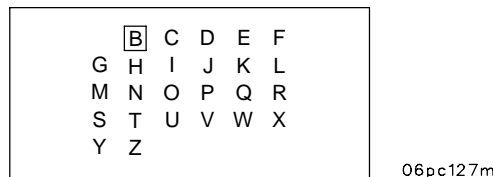
N-6 AFCS INITIALIZATION - CONTINUED

N-6.2 Initializing - Continued

- (k) When the SELECT key on the SELECT PROP TYPE screen is pressed the UPDATE PROP INVENTORY-ENTER LOT menu will be displayed.

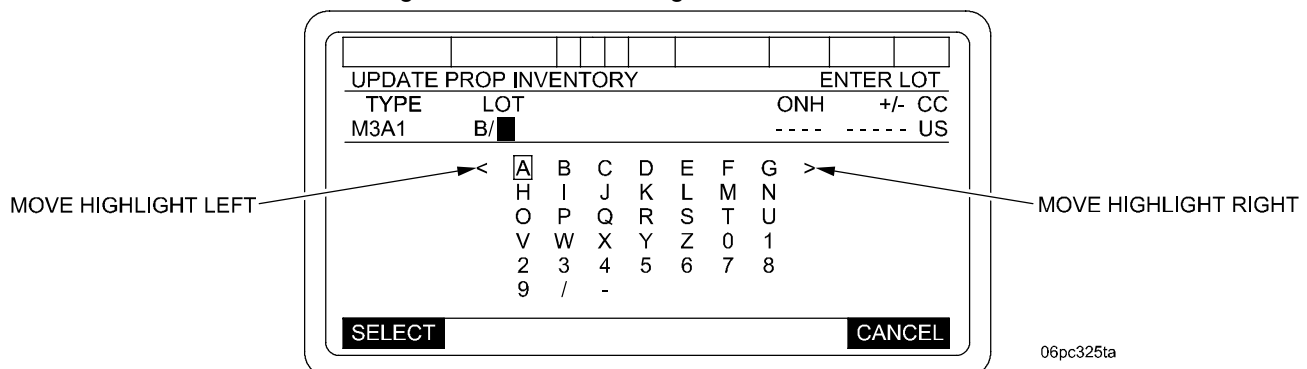


- 1 On initial entry to this display, the cursor box is on the base lot from the selected inventory entry (if a blank line was not selected). Otherwise, box the first available unused base lot letter. The base lot location in the upper display is highlighted in reverse video. All base lots currently in the propellant inventory are deleted from the selection area (except for the selected inventory entry base lot if not on a blank inventory line).



After the base lot is selected, the extended lot editing function is entered. All alphabetic characters as well as numeric, virgule, hyphen, and highlight movement characters are made available for operator selection. The operator will be allowed to enter blanks while editing the extended lot string, but they will be removed when the operator selects USE ALL. The reverse video highlight is initially moved to the first character position (left most character) in the extended lot string. Highlight movement will wrap at the ends of the extended lot string. Pressing the CANCEL key will erase the character under the reverse video highlight. If the CANCEL key is pressed while the USE ALL selection is not present, AFCS will clear the propellant type/model selected and display a blank UPDATE PROP INVENTORY-ENTER LOT screen.

- 2 Blank - until extended lot string editing begins.
 USE ALL - while editing the extended lot string.



N-6 AFCS INITIALIZATION - CONTINUED

N-6.2 Initializing - Continued

When USE ALL key is pressed the following checks occur:

- The extended string is compared with other extended lot codes in inventory. If a duplicate extended lot string is found, a short error message will be displayed.

DUPLICATE EXTENDED LOT FOUND ACK

When ACK is pressed, the extended lot editing function will be resumed and the highlight will be at the last character position prior to pressing USE ALL. Before pressing USE ALL, enter a different extended lot.

- The extended lot string is compared with other extended codes in the MVV Lot Database. If a duplicate extended lot string is found and there is a propellant model mismatch, the error message shall be generated.

MVV EXTENDED LOT CONFLICT ACK

When ACK is pressed, the extended lot editing function shall be resumed and the highlight shall be at the last character position prior to pressing USE ALL.

EXTENDED
LOT STRING

BASE LOT CHARACTER

UPDATE PROP INVENTORY ENTER LOT

TYPE LOT ONH +/- CC

_____ / _____ _____ _____ _____

SELECT USE ALL CANCEL

06pc198ta

- (I) When the USE ALL key is pressed, the UPDATE PROP INVENTORY-UPDATE QUANTITY menu is displayed. Box in either +/- column and press SELECT key. Type in new quantity and press ENTER key. New quantity will be displayed.

UPDATE PROP INVENTORY UPDATE QUANTITY

TYPE LOT ONH +/- CC

_____ / _____ _____ _____ _____

TYPE PROP QUANTITY -PRESS ENT KEY-

+/- CANCEL

NUMERIC FIELD
ADDS/SUBTRACTS
ENTERED VALUE
TO ON-HAND
QUANTITY (0-9999)

06pc199ta

N-6 AFCS INITIALIZATION - CONTINUED

N-6.2 Initializing - Continued

NOTE

- The +/- softkey will appear when the +/- column is selected. If you select the ONH column, the +/- softkey will not appear.
 - Minus values must not exceed the amount on-hand. Plus values must not cause the on-hand total to exceed 9999. Either of these conditions shall cause the error message: "VALUE TOO SMALL" "ACK" or "VALUE TOO BIG" "ACK".
- (m) When propellant types have been updated or edited, press USE ALL key. This will cause the INVENTORY MANAGEMENT menu to be displayed.
- (n) Box in UPDATE FUZE INVENTORY on INVENTORY MANAGEMENT menu. Press SELECT key to display UPDATE FUZE INVENTORY - SELECT FIELD menu. To add a new entry, move box to the first blank line. Press SELECT key. A SELECT FUZE TYPE menu will be displayed.

UPDATE FUZE INVENTORY		SELECT FIELD	
TYPE	ONH	+/-	CC
_____	<input type="text"/>	_____	US
_____	_____	_____	_____

06pc200ta

NOTE

- The DELETE key will cause the selected fuze to be deleted from inventory no matter where on the inventory line the selection box is positioned.
 - If the operator presses the DELETE softkey or attempts to modify the fuze model that is currently being used for a fire mission, the AFCS shall display the operator warning "UNALLOWED - BEING USED BY FM" "ACK".
- (o) Box in FUZE TYPE and press SELECT key.

NOTE

The data displayed on the third line of this display is that given in the selected inventory entry (either a blank line or an existing entry) and is updated as entries are made.

N-6 AFCS INITIALIZATION - CONTINUED

N-6.2 Initializing - Continued

INITIALLY BOX THE FUZE TYPE FROM THE SELECTED INVENTORY ENTRY OR BOX THE FIRST ITEM IF A BLANK LINE WAS SELECTED

UPDATE FUZE INVENTORY		SELECT FUZE TYPE	
TYPE		ONH	+/- CC
-----		----	--- US
MK399	M557	M564	M565
M577	M577A1	M582	M582A1
M728	M732	M732A2	M739
M739A1	M762	M762A1	M767
M767A1	M782		

SELECT CANCEL

06pc326ta

- (p) Box in COUNTRY OF ORIGIN code and press SELECT key. Display will transition to UPDATE FUZE INVENTORY-SELECT FUZE TYPE for the selected country. Pressing the CANCEL key will return display to the UPDATE FUZE INVENTORY-SELECT FUZE TYPE screen.

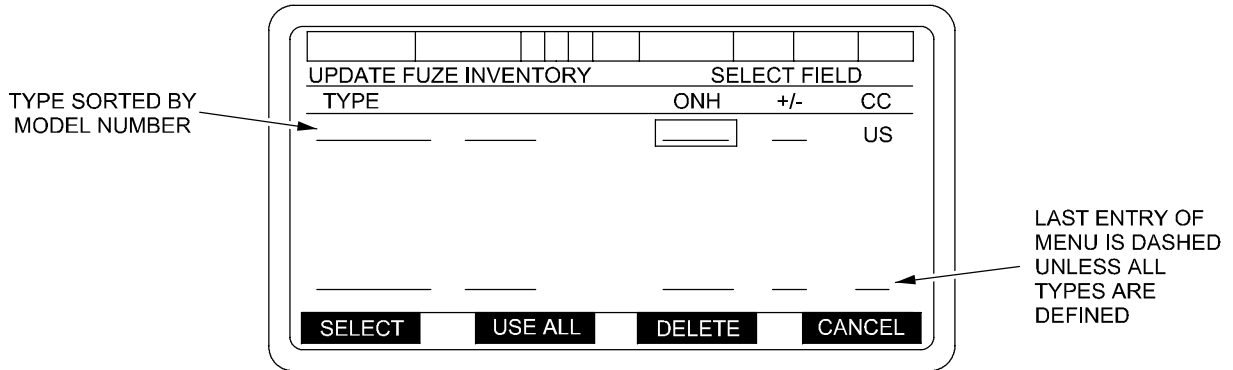
N-6 AFCS INITIALIZATION - CONTINUED

N-6.2 Initializing - Continued

NOTE

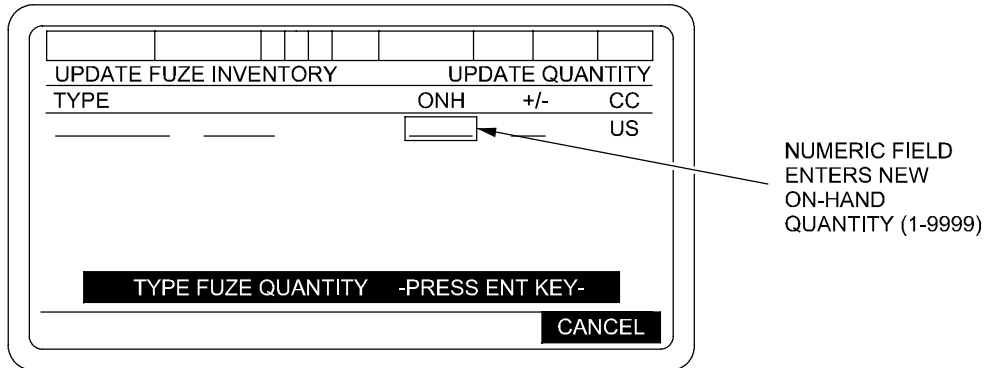
- The +/- softkey will appear when the +/- column is selected. If you select the ONH column, the +/- softkey will not appear.
- Minus values must not exceed the amount on-hand. Plus values must not cause the on-hand total to exceed 9999. Either of these conditions shall cause the error message: "VALUE TOO SMALL" "ACK" or "VALUE TOO BIG" "ACK".

(q) Move box to proper column (ONH or +/-). Press SELECT key.



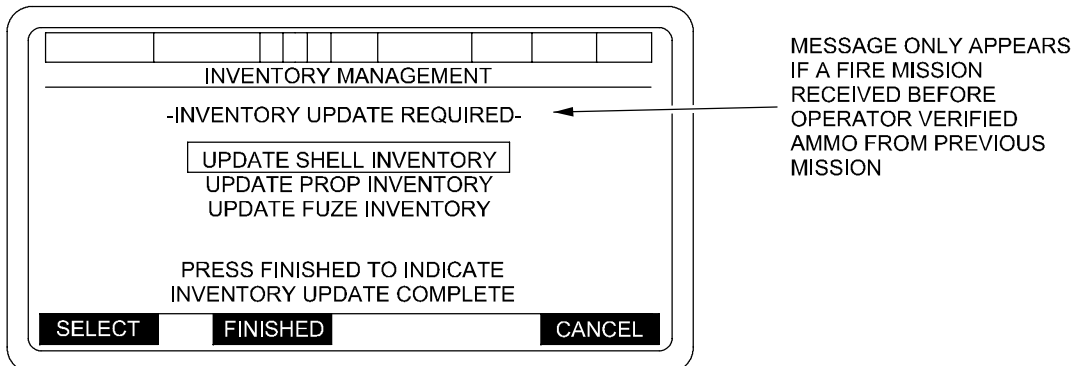
06pc200ta

(r) Type in quantity and press ENT key.



06pc2021a

(s) When fuzes have been updated, press USE ALL key to return to INVENTORY MANAGEMENT menu.



06pc2031a

N-6 AFCS INITIALIZATION - CONTINUED

N-6.2 Initializing - Continued

NOTE

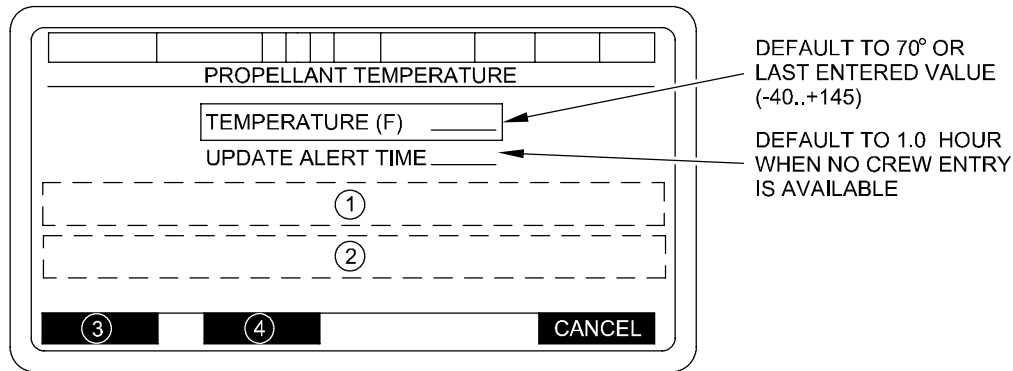
- If a fire mission is activated while in any of the ammunition inventory sub-menus, all valid complete entries with consistent projectile/propellant, country code matches shall be saved.
 - If the **CANCEL** softkey is selected all edits will be ignored.
 - When the **FINISHED** softkey is pressed the ammunition inventory shall be reviewed to insure each group of projectiles has at least one propellant and each group of propellants has at least one projectile. If a projectile group is found without a propellant or a propellant without a projectile, the AFCS will display PROJECTILE/PROPELLANT MISMATCH menu. Pressing the **CONTINUE** softkey on this menu will return operator to the INVENTORY MANAGEMENT menu, at which time the operator has to update SHELL/PROP inventory.
 - (t) When all ammunition data has been entered or updated, press **FINISHED** key to display the **SETUP AND INFORMATION** menu.
- (6) **PROPELLANT TEMPERATURE** - Must be entered in order to complete initialization. After ammunition has been received, a propellant temperature should be obtained by the crew using a calibrated propellant temperature gage. Propellant temperatures are entered as follows:

NOTE

- Accurate propellant temperatures must be entered in order for AFCS to accurately compute muzzle velocity variances (MVs).
- Numerical value must be entered before sign. Default sign is (+).
 - (a) Box in **PROP TEMP** from **SETUP AND INFORMATION** menu. Press **SELECT** key. A **PROPELLANT TEMPERATURE** menu will be displayed. Type in correct temperature and press **ENT** key.

N-6 AFCS INITIALIZATION - CONTINUED

N-6.2 Initializing - Continued

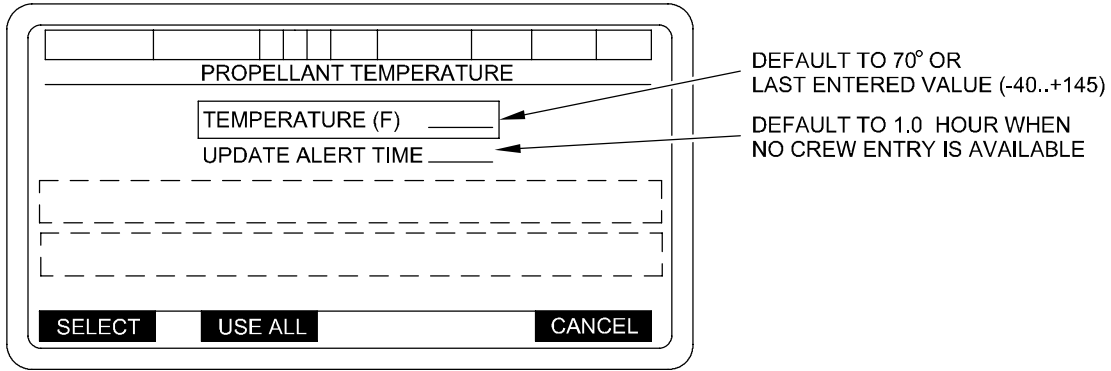


06pc204ta

- ① TIME TO GO XX:XX (HOURS:MINUTES) OR TIME EXCEEDED
TIME EXCEEDED will be displayed upon initial entry to this screen.
 - ② WHEN TEMPERATURE SELECTED
TYPE TEMPERATURE IN FAHRENHEIT DEGREES: -40 TO +145
- PRESS ENT KEY -
WHEN UPDATE ALERT TIME SELECTED
TYPE UPDATE TIME IN 0.5 HOUR INCREMENTS: 0.5 TO 2.0
- PRESS ENT KEY -
 - ③ BLANK - When TEMPERATURE or UPDATE ALERT TIME selected
SELECT - When item is not selected
 - ④ USE ALL - When no item is selected
+/- When temperature is selected
BLANK - When UPDATE ALERT TIME is selected
- (b) If a temperature outside allowable range is input, operator alert "VALUE TOO BIG" or "VALUE TOO SMALL" will appear when ENT key is pressed. The ACK key must be pressed to return to the PROPELLANT TEMPERATURE menu to enter correct temperature.
- (c) A propellant temperature is input during initialization by selecting PROP TEMP from the SETUP AND INFORMATION menu to display the PROPELLANT TEMPERATURE menu. The operator is allowed to enter the propellant temperature. If no temperature is entered the AFCS will use the default value of 70 degrees F. To enter the propellant temperature, place cursor to TEMPERATURE (F), press the SELECT softkey. An operator prompt "TYPE TEMPERATURE IN FAHRENHEIT DEGREES -40 TO +145 --PRESS ENTER KEY" will appear. Type in propellant temperature and press ENT key. In addition, the AFCS incorporates a timed audible and visual alert to the operator to warn that a propellant temperature update is required. The time interval to use for the audible and visual alerts are selectable on the PROP TEMP menu, from 30 minutes (0.5 hours) to 120 minutes (2.0 hours) in 30 minute increments. The alert time is defaulted to 1.0 hour when no time is entered by the operator. To set alert time, place cursor on UPDATE ALERT TIME, and press SELECT softkey. An operator prompt, "TYPE UPDATE TIME IN 0.5 HOUR INCREMENTS 0.5 TO 2.0, PRESS ENTER KEY" will appear. When the operator has successfully entered the propellant temperature and alert time return to SETUP AND INFORMATION menu by pressing USE ALL softkey. When correct propellant temperature and alert time have been entered, pressing USE ALL will display the SETUP AND INFORMATION menu.

N-6 AFCS INITIALIZATION - CONTINUED

N-6.2 Initializing - Continued



06pc134mc

NOTE

- “Changed” means the item was “Selected” and “Entered”.
- “TEMPERATURE (F) update” updates the Powder Temperature and an internal DTG identifying when the TEMPERATURE (F) was last updated.
- “TIME TO GO” calculation = TEMPERATURE (F) update DTG – Current DTG. If the TIME TO GO is less than zero seconds, TIME TO GO equals TIME EXCEEDED.
- (d) If only the UPDATE ALERT TIME is changed and the USE ALL key is pressed, the TEMPERATURE (F) will not be updated unless it had not been initialized during this particular power-up in which case it will be updated, UPDATE ALERT TIME will be updated, TIME TO GO will be recalculated and AFCS will return to the SETUP AND INFORMATION display.
- (e) If only TEMPERATURE (F) is changed and USE ALL is pressed, TEMPERATURE (F) will be updated but UPDATE ALERT TIME will not. TIME TO GO will be recalculated and AFCS will return to the SETUP AND INFORMATION display.
- (f) If neither UPDATE ALERT TIME or TEMPERATURE (F) is changed and USE ALL is pressed, TEMPERATURE (F) will be updated, UPDATE ALERT TIME will not be updated and TIME TO GO will be recalculated and AFCS will return to the SETUP AND INFORMATION display.
- (g) If both UPDATE ALERT TIME and TEMPERATURE (F) are changed and USE ALL is pressed, both fields will be updated and TIME TO GO will be recalculated and AFCS will return to the SETUP AND INFORMATION display.

N-6 AFCS INITIALIZATION - CONTINUED**N-6.2 Initializing - Continued****NOTE**

Do not enter a time value smaller than 0.5 minutes or larger than 10.0 minutes. Either of these conditions will cause the error message: "VALUE TOO SMALL" "ACK" or "VALUE TOO BIG" "ACK".

- (7) TOT RESPONSE TIME - This is used to set crew time response for a specific fire mission. The data tells the AFCS how much advance warning a crew needs before a Time on Target (TOT) mission is to be fired. This data is entered as follows:
- (a) Box in TOT RESPONSE from SETUP AND INFORMATION menu. Press SELECT key to display a TIME ON TARGET CREW RESPONSE TIME menu.
 - (b) Enter data for response time and press the ENT key. This will return the display to the SETUP AND INFORMATION menu.

TIME ON TARGET CREW RESPONSE TIME

TOT RESPONSE TIME 10.0

TYPE TIME BETWEEN
.5 AND 10.0 MINUTES
-PRESS ENT KEY-

CANCEL

06pc136ma

N-6 AFCS INITIALIZATION - CONTINUED

N-6.2 Initializing - Continued

- (8) LOAD ELEVATION - This data is entered in the AFCS to specify an elevation that the gun tube will automatically return to after firing when the LOAD key is pressed on the DU panel. Enter LOAD ELEVATION as follows:
- (a) Box in LOAD ELEVATION from the SETUP AND INFORMATION menu. Press SELECT key to display a TUBE LOAD ELEVATION menu.



Do not enter an elevation greater than 300 mils. Settings above 300 mils may result in breech failing to close and could cause unnecessary wear on spring pack.

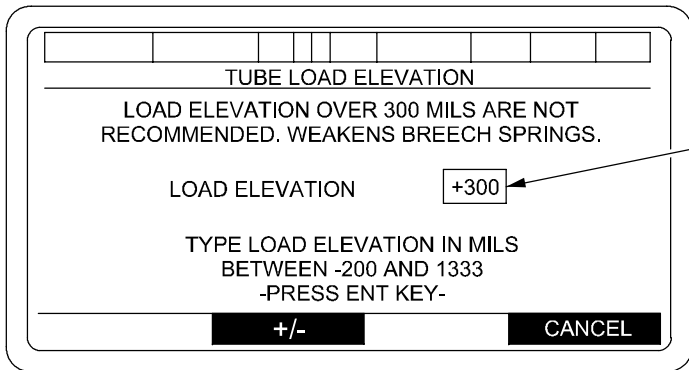
NOTE

Numerical value must be entered before sign. Default sign is (+).

- (b) Type in desired elevation data and press ENT key. The SETUP AND INFORMATION menu will be displayed.

NOTE

- If a value larger than 1333 is entered, Paladin will display the operator alert "VALUE TOO BIG" "ACK".
- If a value smaller than -200 is entered, Paladin will display the operator alert "VALUE TOO SMALL" "ACK".



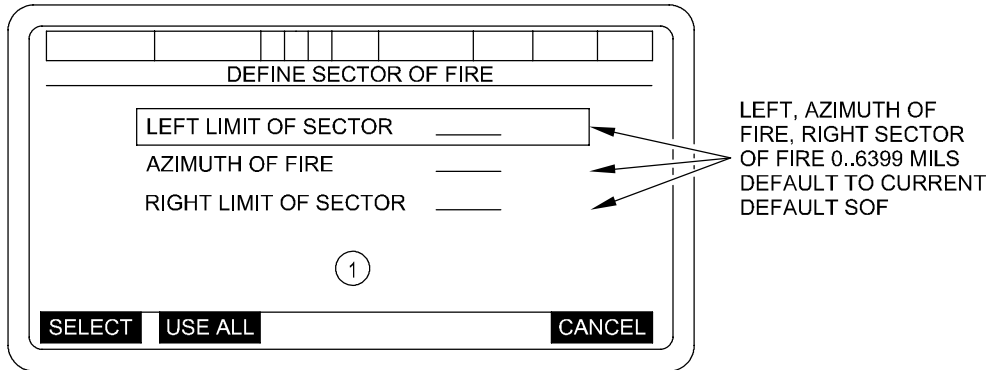
NUMERIC FIELD LOAD ELEVATION -200..1333 MILS DEFAULT TO CURRENT LOAD ELEVATION

06pc135ma

N-6 AFCS INITIALIZATION - CONTINUED

N-6.2 Initializing - Continued

- (9) SECTOR OF FIRE - Used to define the howitzer's sector of fire. Data is entered as follows:
 - (a) Box in SECTOR OF FIRE from SETUP AND INFORMATION menu. Press SELECT key to display DEFINE SECTOR OF FIRE menu.
 - (b) Box in LEFT LIMIT OF SECTOR. Press SELECT key. Enter data. Press ENT key. Move box to AOF. Press SELECT key. Enter data. Press ENT key. Move box to RIGHT LIMIT OF SECTOR. Press SELECT key. Enter data. Press ENT key.



06pc205td

IF LEFT = RIGHT

ERROR - LEFT AND RIGHT EQUAL **ACK**

If AZIMUTH OF FIRE is not to
RIGHT OF LEFT LIMIT and LEFT
OF RIGHT LIMIT.

AZIMUTH OF FIRE NOT IN SECTOR **ACK**

① BLANK: No selection made

Selection made:

“TYPE AZIMUTH BETWEEN 0 AND 6399 MILS”
“PRESS ENT KEY”

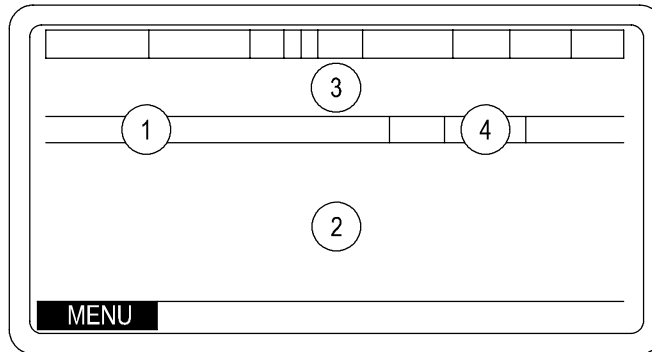
N-6 AFCS INITIALIZATION - CONTINUED

N-6.2 Initializing - Continued

NOTE

- Operator entered Sector of Fire data will be used by the AFCS during Move Orders to help orient the vehicle during emplacement at a Firing Point/Firing Area.
- During Emplacement after a Move Order, this AOF will be “Base Azimuth” for 3200 Deflection.
- SECTOR OF FIRE entered by the operator will be used to calculate ballistic. If FDC has not sent SECTOR OF FIRE for prescribed location (FIRING AREA/POINT).
 - (c) When all correct data has been entered, press USE ALL key to enter data. The following message will be displayed: “ARE YOU SURE” “YES” “NO”. If YES is selected, the sector of fire will be updated and the display will return to SETUP AND INFORMATION menu. If NO is selected, the message will be removed for re-entry of data. Operator entered Sector of Fire data will update the Site Data display.
 - (d) When all initialization data (Asterisk items from SETUP AND INFORMATION menu) has been entered, and the navigation subsystem alert “OK TO MOVE OR SHOOT” “ACK” has been displayed and the ACK key pressed, then press CANCEL key on SETUP AND INFORMATION menu to bring up a SECTION IN ORDER AT INITIALIZATION POINT display.

(10) SECTION IN ORDER Display - Displays the format and content for an initialization or logistics point.



06pc138ma

- ① “FPF/PRI EXISTS” - FPF/PRI target exists in stored target table
“NO FPF/PRI EXISTS” - No FPF/PRI or priority target exists in stored target table
- ② “SECTION IN ORDER AT LOGISTICS POINT” - Arrival location is logistics point
“SECTION IN ORDER AT INITIALIZATION POINT” - Arrival location is initialization point
- ③ **DO NOT MOVE** - No FPF/PRI target exists
DO NOT MOVE / DO NOT LOAD - FPF/PRI target exists
- ④ Tube temperature status

N-6 AFCS INITIALIZATION - CONTINUED

N-6.3 Initialization After an Orderly Shutdown.

WARNING

ALKALINE BATTERIES

Caustic potassium hydroxide gas may be released from leaking or ruptured batteries. Avoid eye or skin contact and inhalation of vapors. Increase ventilation. Wear safety glasses and rubber gloves when handling leaking batteries. Dispose in accordance with local regulation. Refer to TB 43-0134, Batteries, Disposition and Disposal for additional information.

NOTE

M93 MVS must be installed and connected prior to turning the vehicle MASTER power switch ON.

During AFCS operation, it may become necessary to power down and then back up; (example, a system lockup occurs).

NOTE

After AFCS has been powered down, the AFCS will power up and be operational in approximately 3-4 minutes.

Power down in this form causes an orderly shutdown, and some of the AFCS data is saved. An orderly shutdown also occurs when the power is turned off after normal operations. Some of the data saved on orderly shutdown is Network Setup, Ammo Inventory, Navigation Data (location where system was powered down), TOT Response, Load Elevation, and the last operator-entered Sector of Fire. When the system is turned back on from an orderly shutdown, step-by-step initialization is not necessary, although action on all asterisk marked items on the SETUP AND INFORMATION menu must be accomplished. The process for initialization after an orderly shutdown is as follows:

- a. System Power Up. Set MASTER switch and Power Conditioner Unit circuit breakers to ON.

With the PLGR/DAGR in the PLGR/DAGR mount and all external cables attached, press the ON/BRT key on the PLGR key pad or press the PWR/QUIT key on the DAGR keypad. The PLGR/DAGR should power up automatically and perform its self-test (BIT). Operate the PLGR in accordance with the PLGR TM 11-5825-291-13 or operate the DAGR in accordance with the DAGR TM 11-5820-1172-13.

If the PLGR does not have a current key (i.e. the PLGR/DAGR was previously zeroized, newly installed or the key has expired), then load a valid key in accordance with the PLGR TM 11-5825-291-13 or in accordance with the DAGR TM 11-5820-1172-13.

N-6 AFCS INITIALIZATION - CONTINUED

N-6.3 Initialization After an Orderly Shutdown - Continued

NOTE

To load a key, the DRUH must be off, or the P4 DRUH-PLGR/DAGR signal connector must be disconnected to cause a PLGR/DAGR COM FAIL. Re-attachment of P4 DRUH-PLGR/DAGR signal connector after PLGR/DAGR keying will automatically cause DRUH-PLGR/DAGR communications to resume if DRUH is on.

If the PLGR/DAGR antenna has a clear view of the sky, turn PLGR/DAGR on. If the antenna's view of the sky is blocked (e.g. the vehicle is in a building, under tree cover or parked next to a large structure), move vehicle until the PLGR/DAGR is clear.

If the vehicle cannot be moved, keep PLGR/DAGR turned off until the vehicle can be moved to a location with a clear view of the sky.

NOTE

- If the PLGR/DAGR is off, the Navigation Subsystem will still accept initialization data from the AFCS for inertial operation and the Navigation System will operate as before.
- Guidelines for conditions and times for the PLGR/DAGR to obtain position data acceptable by the AFCS.
 - (1) If the antenna has a clear view of the sky and PLGR/DAGR has a valid position, current GPS time, current GUV key, and has stored a current satellite almanac, PLGR/DAGR will be acceptable for use in about three minutes following the first turn-on of the day. It will take about 90 seconds for subsequent turn-ons. These are the normal operating conditions.
 - (2) If the antenna has a clear view of the sky and PLGR/DAGR has a current GUV key but the PLGR/DAGR doesn't have a valid position, current GPS time, or current satellite almanac, it may take up to 20 minutes after turn-on for the PLGR/DAGR to output data of acceptable accuracy.
 - (3) If the PLGR/DAGR has a valid position, current GPS time, current key, and current satellite almanac, but the antenna is masked from a clear view of the sky when PLGR/DAGR is turned on, it may take up to 20 minutes to get acceptable data after the vehicle is moved to a location with a clear view of the sky. This results from the PLGR/DAGR initiating a search for all possible satellites if it can't lock on to those expected, for its current position, time, and almanac, within a reasonable time interval.
 - (4) If the PLGR/DAGR doesn't have a current key, its data won't be acceptable for use by the AFCS. However, assuming a clear view of the sky, it can be turned on to initialize position, time, and satellite almanac in about 20 minutes. Then when a valid key is loaded, the PLGR/DAGR will be ready to go within three minutes.

NOTE

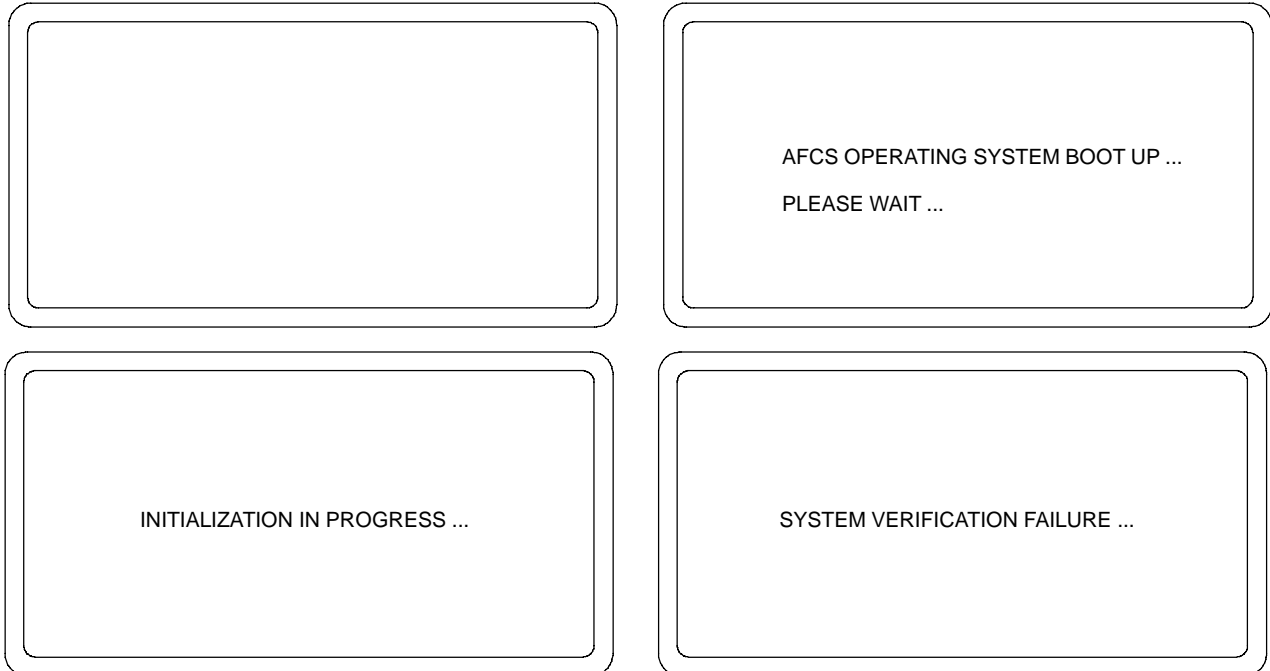
M93 MVS must be installed and connected prior to turning the vehicle MASTER power switch on.

Make sure TRAINING switch on DU is OFF. Set POWER switch on DU to ON. When power is first applied to the AFCS, the display will be blank and the AFCS will automatically perform its internal self-test (BIT). Next a screen will be displayed with this message "AFCS OPERATING SYSTEM BOOT UP...PLEASE WAIT...", followed by an "INITIALIZATION IN PROGRESS..." screen.

N-6 AFCS INITIALIZATION - CONTINUED**N-6.3 Initialization After an Orderly Shutdown - Continued****NOTE**

- The time lapse between first three screens can range from 3 to 5 minutes.
- If screen stays blank for more than 7 minutes, power down system.

A "SYSTEM VERIFICATION FAILURE" message will be displayed only if a failure is detected.



06pc414ma

After the AFCS powers up, the PLGR/DAGR screen should read:

REMOTE CONTROL
Only ZEROIZE key
activated

At this point the PLGR/DAGR key pad will become inactive. The only PLGR/DAGR operation allowed using the key pad is EMERGENCY ZEROIZE.

If this message is not displayed on the PLGR/DAGR screen, and the Low Priority Message "GPS OUT - GPS DISCONNECTED" is not displayed on the DU, ensure that the DRUH-PLGR Signal Connector (P4) plug on the W17A cable is connected and secure. Once this PLGR/DAGR screen is displayed, proceed with system initialization.

NOTE

- NAV SUBSYSTEM includes: VMS, DRUH, VMS modems
- PCU SUBSYSTEM includes: PCU and both back-up batteries
- The switches on the PCU are circuit breakers. They should be left ON at all times, so they will not wear out from being turned off and on constantly.

N-6 AFCS INITIALIZATION - CONTINUED

N-6.3 Initialization After an Orderly Shutdown - Continued

- (5) This screen displays the subsystems that are checked by BIT. As the subsystems are checked, the dashed lines will change to a subsystem status (OK, DEGRADED, OUT, - -). The - - appears on the MVS status line when the AFCS could not be connected to the MVS. This screen also identifies the system software version.

POWER UP STATUS		
DCU	SUBSYSTEM	-
COMMO	SUBSYSTEM	-
NAV	SUBSYSTEM	-
WPN	SUBSYSTEM	-
PCU	SUBSYSTEM	-
1553	BUS	-
PDIU	SUBSYSTEM	-
MVS	SUBSYSTEM	-
IFS	SUBSYSTEM	-

06pc271tb

In the event of a failure during POWER UP STATUS, the message, "DEGRADED-ACK TO CONTINUE", will be displayed on the bottom line of the EL Panel. To continue, depress softkey under ACK. After the self-test is complete, SELECT OPERATIONAL MODE menu is displayed.

POWER UP STATUS		
DCU	SUBSYSTEM	OK
COMMO	SUBSYSTEM	OK
NAV	SUBSYSTEM	DEGRADED
WPN	SUBSYSTEM	OK
PCU	SUBSYSTEM	OK
1553	BUS	OK
PDIU	SUBSYSTEM	OK
MVS	SUBSYSTEM	OK
IFS	SUBSYSTEM	OK
DEGRADED - ACK TO CONTINUE		ACK

06pc244td

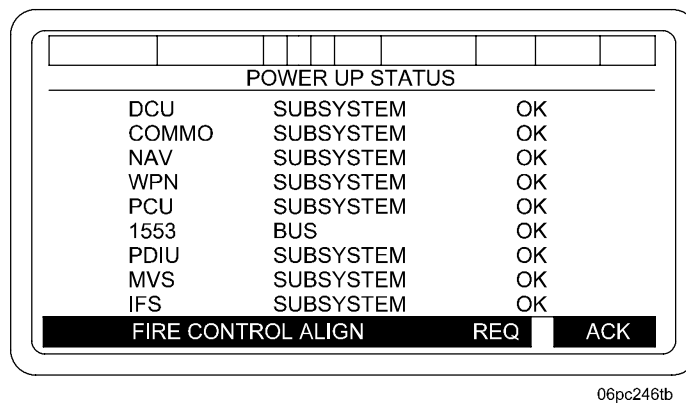
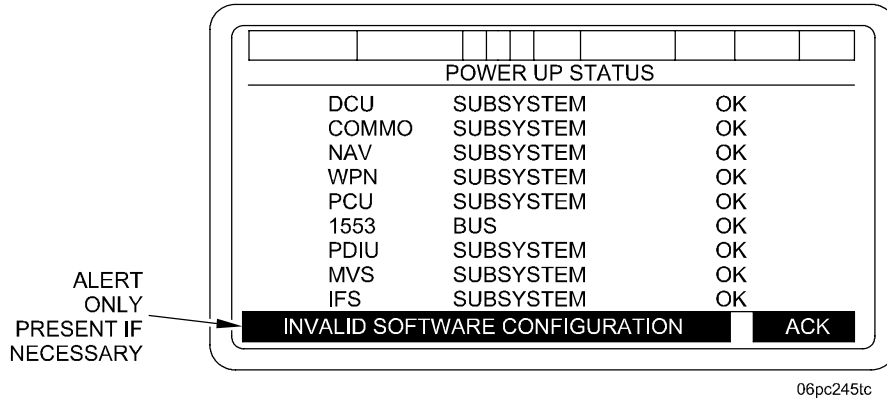
NOTE

If DCU contains an incorrect configuration, the AFCS will not allow the operator to select normal operations until a correct DCU software configuration is downloaded.

N-6 AFCS INITIALIZATION - CONTINUED

N-6.3 Initialization After an Orderly Shutdown - Continued

When configuration verification checking indicates that an invalid howitzer software configuration is present, a short error message "INVALID SOFTWARE CONFIGURATION" "ACK" will appear on the softkey label line of the DU.



When the message is acknowledged, the AFCS will proceed to the SELECT OPERATIONAL MODE menu. To view detailed software configuration information for each LRU, MAINTENANCE should be selected, IAW procedure in para N-9.1.

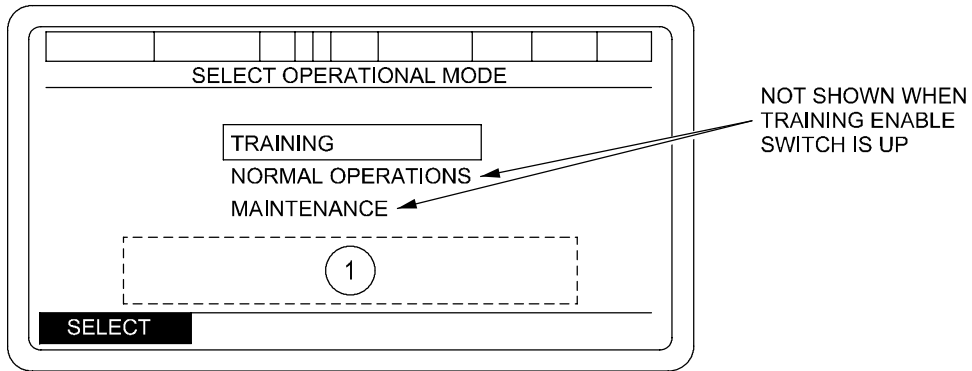
(6) Operational Mode Selection Menu.

This menu allows selection of the primary operating mode for the AFCS.

The selection structure shows the prompting for Embedded Training selection. Note that the TRAINING selection and the associated prompting will not be available if the Embedded Training Controller fails power-up BIT.

N-6 AFCS INITIALIZATION - CONTINUED

N-6.3 Initialization After an Orderly Shutdown - Continued



06pc139mb

- ① - WHEN TRAINING SWITCH IS UP:
POSITION TRAINING ENABLE SWITCH DOWN
TO SELECT OTHER MODES
- WHEN TRAINING SWITCH IS DOWN:
POSITION TRAINING ENABLE SWITCH UP
TO SELECT TRAINING MODE

b. Initialization.

NOTE

After an orderly shutdown, follow the procedures below. However, if a catastrophic failure happens within the system, go to para N-6.4.

Select **NORMAL OPERATIONS** on the **SELECT OPERATIONAL MODE** menu and press **SELECT** softkey. A **NETWORK** menu will be displayed.

- (1) **NETWORK** - Check data on the **NETWORK** menu for correctness against current data from POC/FDC and press **FINISHED**.

Using the **NET ACCESS** menu, check that data in the displayed menu shows same data that the unit SOP specifies.

NOTE

To ensure efficient set up of the digital net, it is very important that **NETWORK** data be assigned and controlled by POC/FDC. Verify data per local SOP.

- (a) Only one network configuration will be active at any one time. The active configuration is identified by the label ****ACTIVE**** in the **STATUS** column.
- (b) Inactive configurations do not have anything displayed in the **STATUS** column.
- (c) **TACFIRE** configurations will not display anything in the **COMSEC** and **MODE** columns of the **NETWORK** screen.
- (d) 188-220 communications configurations identify the Device, Baud, **COMSEC** and **MODE**. 188-220 configurations with any customized values identify the Device as **"CUSTOM/R"** for Radio and **"CUSTOM/W"** for Two-Wire.

N-6 AFCS INITIALIZATION - CONTINUED

N-6.3 Initialization After an Orderly Shutdown - Continued

- (e) The AFCS will not reorder network configurations as a result of deletions.
- (f) The FINISHED and VIEW softkeys are not visible unless at least one configuration is defined.
- (g) Softkey sequencing shall be as follows:

SELECT softkey - If the highlighted configuration was previously defined, control transitions to NETWORK SETTINGS-SELECT CONFIGURATION OPTION display. If the highlighted configuration has not been defined, control transitions to NETWORK SETTINGS-STANDARD COMMUNICATION CONFIGURATION display (see para N-6.2c).

FINISHED softkey - When the operator presses the FINISHED softkey, the AFCS stores all defined network configurations and control transitions to Normal Operational Initialization display.

VIEW softkey - When the VIEW softkey is pressed and the currently selected network configuration has been defined, control transitions to the NETWORK SETTINGS display (see para N-6.2e). When the VIEW softkey is pressed and the currently selected network configuration has not been defined, control does not transition.

- (h) AFCS supports 11 predefined communications configurations (see Table N-12).

NETWORK					
CFG	STATUS	DEVICE	BAUD	COMSEC	MODE
3		SINGGARS	4800N	CT	FH
6		SINGGARS	1200N	CT	FH
6	*ACTIVE*	CUSTOM/R	1200N	CT	FH
10		CUSTOM/W	32000	PT	SC
0		TACFIRE	1200		
8		CUSTOM	9600N	CT	FH

SELECT FINISHED VIEW

06pc322t

- (2) SET DATE/TIME - Select SET DATE/TIME on SETUP AND INFORMATION menu and press SELECT to display a SET DATE/TIME GROUP menu.

SETUP AND INFORMATION	
* SET DATE/TIME	* TOT RESPONSE
* FDC DATA XFER	* LOAD ELEVATION
* SPHEROID/DATUM	* SECTOR OF FIRE
* NAV UPDATE	RECEIVED MSG
* AMMO INVENTORY	WARNING MSG
* PROP TEMP	MAX TUBE EL
	SITE DATA
	SEND CHECKFIRE

SELECT NEXT PAGE FAST INIT

06pc327ta

N-6 AFCS INITIALIZATION - CONTINUED

N-6.3 Initialization After an Orderly Shutdown - Continued

NOTE

Use according to unit SOP.

If GPS data is available select USE GPS.

PRESENT ONLY IF GPS IS AVAILABLE

CURSOR DEFAULT POSITION

06pc177ta

If GPS is not available or if POC has instructed you not to use GPS time, type in new DTG.

SELECT TIME ZONE - Enter SELECT TIME ZONE in accordance with unit SOP.

06pc178ta

SELECT DAYLIGHT SAVINGS - Enter DAYLIGHT SAVINGS TIME in accordance with unit SOP.

06pc179ta

N-6 AFCS INITIALIZATION - CONTINUED

N-6.3 Initialization After an Orderly Shutdown - Continued

Contact the POC by voice radio to obtain the correct date/time data and a MARK. Type in date/time data (year, month, day, hour, minute) as given by the POC. If the data is entered incorrectly a message will be displayed stating "Invalid DTG Value", and you will have to re-enter the data. When this is done, another SET DATE/TIME GROUP menu will be displayed.

```

    SET LOCAL TIME
    ZULU   TIME   IS   99:02:05:1230:52
    LOCAL  TIME   IS   99:02:05:1230:52
    GPS    TIME   IS   99:02:05:1230

    TIME ZONE                Z
    DAYLIGHT SAVINGS        STANDARD

    SET LOCAL TIME  __:__:__:__:__
  
```

06pc180tb

When the FDC operator gives a countdown and announces MARK, press MARK. The AFCS and FDC time should now be synchronized. A SETUP AND INFORMATION menu is then displayed on the DU.

```

    SETUP AND INFORMATION
    * SET DATE/TIME
    * FDC DATA XFER
    * SPHEROID/DATUM
    * NAV UPDATE
    * AMMO INVENTORY
    * PROP TEMP
    * TOT RESPONSE
    * LOAD ELEVATION
    * SECTOR OF FIRE
    RECEIVED MSG
    WARNING MSG
    MAX TUBE EL
    SITE DATA
    SEND CHECKFIRE

    SELECT  NEXT PAGE  FAST INIT
  
```

06pc327t

NOTE

The FDC DATA TRANSFER must be done each time you initialize the AFCS, if the POC/FDC is operational.

- (3) FDC DATA TRANSFER - To obtain current initialization data (current MET, registration data, etc.), select FDC DATA XFER on SETUP AND INFORMATION menu. Press SELECT softkey to display a FDC DATA TRANSFER menu.

N-6 AFCS INITIALIZATION - CONTINUED

N-6.3 Initialization After an Orderly Shutdown - Continued

The INITIALIZATION menu item will be automatically boxed and the operator will be prompted to press “YES” or “NO”. Pressing YES will cause a message to be sent to FDC requesting initialization data. If you know that FDC is not operational, pressing NO will clear the * from FDC DATA XFER on the SETUP AND INFORMATION menu.

FDC DATA TRANSFER	
SEND	GET
PIECE STATUS	INITIALIZATION
SITE DATA	MOVE ORDERS
MVV DATA	MVV DATA
AMMO STATUS	PIECE STATUS
GEOMETRIES	SITE DATA
RECORD OF FIRE	AMMO STATUS
SELECT	CANCEL

06pc328ta

- (4) ENTER SPHEROID/DATUM - The FDC DATA XFER, INITIALIZATION data includes a SPHEROID/DATUM, but does not transfer the necessary map DATUM. To input the correct DATUM, box in the “ENTER SPHEROID/DATUM” and press the SELECT key. This brings up the SPHEROID/DATUM entry menu.

SPHEROID/DATUM ENTRY			
SPHEROID	USRDEF	GRID ZONE	1
DATUM	USRDEF		
DATUM OFST X	+0.1 Y	+0.0 Z	+0.0
SPHEROID MAJ	6378137.00	MIN	6356752.31
SELECT	USE ALL	CANCEL	

06pc249tc

Check to see that all the data is correct. If it is correct, press the USE ALL key, and proceed with the initialization. If an entry is not correct, select that field and make corrections.

- NOTE 1 Selection of this field will display select spheroid menu.
- NOTE 2 Field is only present if user defined (USRDEF) spheroid is used.

N-6 AFCS INITIALIZATION - CONTINUED

N-6.3 Initialization After an Orderly Shutdown - Continued

When grid zone is selected, the following will be displayed:

SPHEROID/DATUM ENTRY			
SPHEROID	WE	GRID ZONE	1
DATUM	WE		

TYPE GRID ZONE
1 TO 60
- PRESS ENT KEY -

CANCEL

06pc250ta

When DATUM is selected, SELECT DATUM menu is displayed:

SELECT DATUM	
BUR	BUKIT RIMPAH
BAT	DJAKARTA BATAV
GSE	GUNUNG SEGARA
MAS	MASSAWA
TOY-M	TOKYO (MEAN)
USRDEF	USER DEFINED

SELECT

CANCEL

06pc253ta

Box in the correct DATUM and press the SELECT key. The DATUMs available are dependent on the SPHEROID selected. See AFCS/FDC Spheroid and Datum table in appendix J.1 for Spheroid/Datum combinations.

N-6 AFCS INITIALIZATION - CONTINUED**N-6.3 Initialization After an Orderly Shutdown - Continued****NOTE**

The reference frame for UTM position coordinates is a DATUM. Typically, a Local DATUM is defined by an ellipsoidal earth model (SPHEROID) and a starting point (origin) for the coordinate system. Coordinates on a map or in a Trig list (SCPs) often are on a Local DATUM. An example of a Local DATUM is the North American 1927 (NAD 27) DATUM used in the United States. There have been many different Local DATUMs developed. GPS computes position on the World Geodetic System 1984 (WGS 84), a worldwide coordinate system. To use GPS with coordinates on a Local DATUM, the coordinates must be mathematically shifted. The AFCS (DRUH and PLGR/DAGR) can automatically perform DATUM shifting, but first the operator must select the Local DATUM to be used, or provide the appropriate shift parameters. For AFCS operation, Local DATUMs are represented by two sets of parameters: The Local Ellipsoid (SPHEROID) and shift parameters as defined for each Local DATUM (DATUM IDs). The FDC can provide the SPHEROID. But the FDC cannot provide the Local DATUM. Therefore the operator must enter it. The SPHEROID selected will determine which DATUM IDs will be available for selection. The AFCS/FDC SPHEROID and DATUM TABLE, in appendix J.1, provides the SPHEROID number for the AFCS and FDC, which DATUM IDs are available for that SPHEROID number and the normal coverage area. Note that there may be more than one DATUM ID associated with a Local DATUM because the shifts vary by locality. For other DATUMs or areas outside the indicated coverage area, User Defined (USRDEF) Datum shifts may be entered manually. The table is not intended as an absolute. A map sheet will identify the DATUM name, Ellipsoid (SPHEROID) name and the coordinate type, or the map sheet will identify the area. The data from a Trig list should identify the same information. These parameters must be correlated to the DATUM ID. If the applicable DATUM ID hasn't been programmed in the AFCS, shift parameters for many other DATUMs and regions have been published in DMA TR 8350.2 and may be entered thru the DATUM X, Y and Z offsets. Note that the AFCS cannot accept shift parameters for all datums because the Spheroid capability is limited to those listed in the AFCS/FDC Spheroid and Datum table in appendix J.1.

N-6 AFCS INITIALIZATION - CONTINUED

N-6.3 Initialization After an Orderly Shutdown - Continued

If the DATUM USR DEF is selected, then the DATUM X, Y, and Z offsets must be entered. These values must be obtained from the POC and should only be used with guidance from Battery Commander. The ENTER USER DATUM PARAMETERS page should look like:

ENTER USER DATUM PARAMETERS

DATUM OFFSET X	+0.1
DATUM OFFSET Y	+0.0
DATUM OFFSET Z	+0.0

SELECT USE ALL CANCEL

06pc254ta

When DATUM OFFSET X is selected:

Type -2000.0 TO +2000.0:
Press ENT key.

When DATUM OFFSET Y is selected:

Type -2000.0 TO +2000.0:
Press ENT key.

When DATUM OFFSET Z is selected:

Type -2000.0 TO +2000.0:
Press ENT key.

After all the correct data has been entered, press the USE ALL key to clear and return to the main menu.

- (5) NAVIGATION UPDATE - Select NAV UPDATE and press SELECT soft key to display a NAVIGATION SUBSYSTEM UPDATE menu.

NOTE

- If vehicle has not been moved since orderly shutdown, the Navigation Subsystem will initiate a Stored Heading Align, which will be completed in about 90 seconds.
- If vehicle has been moved since orderly shutdown, move vehicle to a survey point and enter survey data.

N-6 AFCS INITIALIZATION - CONTINUED

N-6.3 Initialization After an Orderly Shutdown - Continued

Check data for correctness. If correct, press USE ALL softkey. The prompt, NAV POSITION UPDATE TO START, ARE YOU SURE (YES OR NO), will be displayed. Make proper selection. Press the YES key to RESTART the Navigation Subsystem and display the SETUP AND INFORMATION menu.

Press the NO key to redisplay NAVIGATION SUBSYSTEM UPDATE menu. Make corrections or press CANCEL to display SET UP AND INFORMATION menu.

NAVIGATION SUBSYSTEM UPDATE		
EASTING	500000	
NORTHING	100	GET CURR NAV POSN
ALTITUDE	0	
GRID ZONE	1	GET LAST ENT POSN
HEMISPHERE	NORTH	GET CURR GPS POSN
SPHEROID	2	NAV POSITION UPDT
DATUM	USRDEF	
<div style="display: flex; justify-content: space-around;"> SELECT USE ALL CANCEL </div>		

06pc144ma

- (6) AMMO INVENTORY - Select AMMO INVENTORY on the SETUP AND INFORMATION menu. Press SELECT softkey to display INVENTORY MANAGEMENT menu.

INVENTORY MANAGEMENT	
-INVENTORY UPDATE REQUIRED-	
UPDATE SHELL INVENTORY	
UPDATE PROP INVENTORY	
UPDATE FUZE INVENTORY	
PRESS FINISHED TO INDICATE INVENTORY UPDATE COMPLETE	
<div style="display: flex; justify-content: space-around;"> SELECT FINISHED CANCEL </div>	

MESSAGE ONLY APPEARS
IF FIRE MISSION
RECEIVED BEFORE
OPERATOR VERIFIED
AMMO FROM PREVIOUS
MISSION

06pc145ma

NOTE

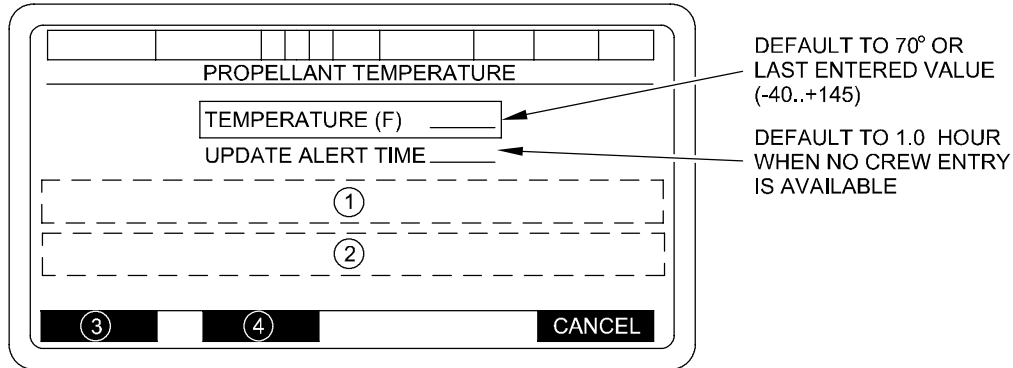
If a fire mission is activated while in any of the ammunition inventory sub-menus, all valid complete entries shall be saved.

If the ammunition inventory is current, press FINISHED softkey to display the SETUP AND INFORMATION menu. If ammunition inventory is not current, to enter ammunition data, refer to para N-6.2.

N-6 AFCS INITIALIZATION - CONTINUED

N-6.3 Initialization After an Orderly Shutdown - Continued

- (7) PROPELLANT TEMPERATURE - Select PROP TEMP on SETUP AND INFORMATION menu. Press SELECT key to display a PROPELLANT TEMPERATURE menu.



① TIME TO GO XX:XX (HOURS:MINUTES) OR TIME EXCEEDED 06pc204ta

② WHEN TEMPERATURE (F) SELECTED
 TYPE TEMPERATURE IN FAHRENHEIT
 DEGREES -40 TO +145
 - PRESS ENT KEY -

WHEN UPDATE ALERT TIME SELECTED
 TYPE UPDATE TIME IN 0.5 HOUR
 INCREMENTS 0.5 TO 2.0

③ BLANK - WHEN TEMPERATURE (F) OR UPDATE ALERT TIME SELECTED
 SELECT - WHEN ITEM IS NOT SELECTED

④ USE ALL - WHEN NO ITEM IS SELECTED
 +/- WHEN TEMPERATURE (F) IS SELECTED
 BLANK - WHEN UPDATE ALERT TIME IS SELECTED

N-6 AFCS INITIALIZATION - CONTINUED

N-6.3 Initialization After an Orderly Shutdown - Continued

If displayed temperature and update alert time are correct, press USE ALL key. If another temperature or alert time entry is necessary, box the desired item and press SELECT key. Type in new temperature or alert time and press ENT key. When entries are correct, press USE ALL key. The SETUP AND INFORMATION menu will be displayed.

- (8) TOT RESPONSE - To access the TOT RESPONSE menu, press NEXT PAGE key to display next page of SETUP AND INFORMATION menu.

Select TOT RESPONSE and press SELECT to display a TOT RESPONSE menu.

Type in desired time to be used and press ENT key. The SETUP AND INFORMATION menu will be displayed.

06pc136ma

- (9) Select LOAD ELEVATION on the SETUP AND INFORMATION menu. Press SELECT key to display a TUBE LOAD ELEVATION menu.



Do not enter an elevation greater than 300 mils. Settings above 300 mils may result in breech failing to close and could cause unnecessary wear on spring pack.

NUMERIC FIELD LOAD ELEVATION -200..1333 MILS DEFAULT TO CURRENT LOAD ELEVATION

06pc135ma

If load elevation shown is the desired elevation, press ENT key. If a new elevation is desired, type in desired elevation and then press ENT key. The SETUP AND INFORMATION menu will be displayed.

N-6 AFCS INITIALIZATION - CONTINUED

N-6.3 Initialization After an Orderly Shutdown - Continued

- (10) Select SECTOR OF FIRE on SETUP AND INFORMATION menu. Press SELECT softkey to display a DEFINE SECTOR OF FIRE menu.

DEFINE SECTOR OF FIRE

LEFT LIMIT OF SECTOR _____

AZIMUTH OF FIRE _____

RIGHT LIMIT OF SECTOR _____

SELECT USE ALL CANCEL

06pc205tc

If data displayed on menu is desired sector of fire, press USE ALL softkey. If a change is needed, select area to be changed, type in change and press ENT key. Repeat for additional changes, when complete press USE ALL softkey. The following message will be displayed: "ARE YOU SURE" "YES" "NO". If YES is selected, data will be updated and the display will return to SETUP and INFORMATION menu. If NO is selected, the message will be removed for re-entry of data. A POS UPDATE or NAV RESTART must be performed if the changes are to be used by the AFCS.

- (11) SECTION IN ORDER - When navigation alignment time has been completed, or message "OK TO MOVE OR SHOOT" "ACK" has been acknowledged, a CANCEL prompt will appear on the SETUP AND INFORMATION menu. Press CANCEL to display the SECTION IN ORDER AT INITIALIZATION POINT screen.

The AFCS system is now initialized and can perform missions as directed.

SECTION IN ORDER AT INITIALIZATION POINT

DO NOT MOVE

NO FPF/PRI EXISTS

MENU

06pc148ma

N-6 AFCS INITIALIZATION - CONTINUED

N-6.4 Initialization After a Catastrophic Failure.

- a. If a catastrophic failure (e.g., sudden loss of power of PCU) occurs, it is possible that no data at all will be saved by the AFCS. In this case, a step-by-step-system initialization must be done.

NOTE

- Position data must be recorded prior to pressing ARRIVED key during emplacement. If time permits the crew should also set out collimator or select a DAP and set 3200 Deflection on the PANTEL on Center of Sector (Base Azimuth).
 - To be able to react quickly to re-initialize a failed AFCS, a Platoon SOP voice request procedure from crew to POC to send all required data messages from FDC may be helpful. Data that would be useful from FDC are: INITIALIZATION (Subscriber File, Map Mode, MET, Registration), MUZZLE VELOCITY, Current Position (to include Sector of Fire) and Propellant Temp (PIECE STATUS), SITE STATUS, and AMMO STATUS.
- b. Getting Data. To return to Section in Order as fast as possible after a catastrophic failure of the AFCS, return the tube to travel lock before shutting AFCS power off. Wait about 5 seconds, then turn AFCS power on. Begin the Initialization process as normal, working off the * menu items on the SETUP AND INFORMATION menus. If FDC has current data, get as much data as you can from FDC. This data can be obtained as follows:
- (1) Box FDC DATA XFER on the SETUP AND INFORMATION menu and press SELECT key. The INITIALIZATION item under the GET column will be boxed as usual. Press YES to transmit the request for INITIALIZATION data (Subscriber File, Map Mode, MET and Registration).
 - (2) Next, box MUZZLE VELOCITY under the GET column and press SELECT key. Press YES key to transmit the request to FDC.

NOTE

The AFCS automatically uses the Muzzle Velocity data sent by FDC. No further action is necessary by the crew.

- (3) Repeat the last step for PIECE STATUS, SITE STATUS, and AMMO STATUS.
 - (4) Once all requests have been sent, press CANCEL key to move to the next initialization step on the SETUP AND INFORMATION menu.
- c. Nav Update.
- (1) Use your current position data that you recorded upon emplacement.
 - (2) If POC has a current location where the failure occurred, use that data for navigation initialization. To use position data obtained from FDC in the step above, box NAV UPDATE on the SETUP AND INFORMATION menu, press SELECT key and a NAV SUBSYSTEM UPDATE menu will be displayed. Box GET FDC PRPT POSN and press SELECT key. Press USE ALL key, and AFCS will use the FDC reported position data and return to the SETUP AND INFORMATION menu.

N-6 AFCS INITIALIZATION - CONTINUED

N-6.4 Initialization After a Catastrophic Failure - Continued

- (3) Another howitzer with an operational DRUH and AFCS can pull into failed howitzer's position (left hub to left hub) and provide navigation data to be entered on the keyboard.

NOTE

If no FDC-provided Move Order is expected after AFCS initialization, then the Sectors of Fire must be changed to those provided by the FDC prior to the failure. Sector of Fire entries must be completed prior to inputting a manual Move Order.

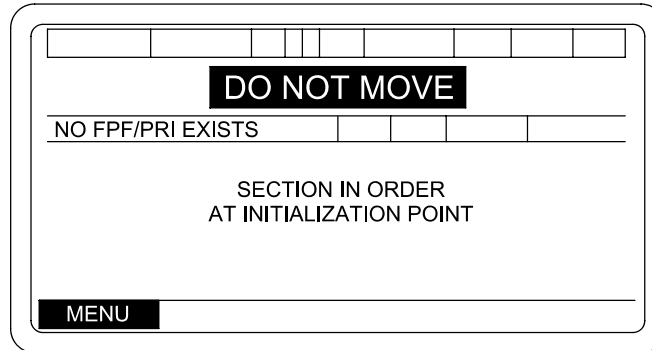
- (4) The failed howitzer can be taken to a surveyed point and navigation initialized from survey data.
- d. Ammo Inventory. To use ammunition inventory data obtained from FDC in the step above, box AMMO INVENTORY on the SETUP AND INFORMATION menu, press SELECT key and INVENTORY MANAGEMENT menu will be displayed. Box EDIT FDC PROVIDED and press SELECT key. When the FINISHED key is pressed the ammunition inventory shall be reviewed to insure each group of projectiles has at least one propellant and each group of propellants has at least one projectile. If a projectile is found without a propellant or a propellant without a projectile, AFCS will display PROJECTILE/PROPELLANT MISMATCH menu. Pressing the CONTINUE softkey on this menu will return operator to the INVENTORY MANAGEMENT menu, at which time the operator has to update SHELL/PROP inventory. On the next INVENTORY MANAGEMENT menu, press FINISHED to accept the FDC PROVIDED data. If you want to check the ammo inventory for accuracy, then box and select UPDATE SHELL, UPDATE PROP, and UPDATE FUZE one at a time (para N-6.2l(5)).
 - e. Site Definition. To use Site data obtained from FDC in the step above, box SITE DATA on the SETUP AND INFORMATION menu, press SELECT key and SITE DEFINITION menu will be displayed. Box GET FDC SITE and press SELECT key (This option will only be available if the POC has sent an AFU mask to the AFCS). Press USE ALL, and the FDC provided Site Data will be used by the AFCS.

N-7 AFCS TRAVEL MODE.

During the travel mode the navigation system provides a continuous position data display to the operator. The data displayed on the EL Panel will show UTM coordinates for both position and destination. Also included is a graphic display showing where the vehicle is traveling in relation to destination. After alignment, the AFCS will automatically go into travel mode when the howitzer starts to move.

N-7.1 Movement.

Once the howitzer has been initialized and the navigation system has had time to align, a CANCEL softkey will appear on the main menu. To view a SECTION IN ORDER AT INITIALIZATION POINT screen, press the CANCEL softkey.



06pc148ma

NOTE

- DO NOT MOVE the howitzer until you see OK TO MOVE OR SHOOT, ACK message.
- You may then move the howitzer or accept fire missions, but you can expect ZUPT requests during moves if the ALN_ _ _S is still counting down.

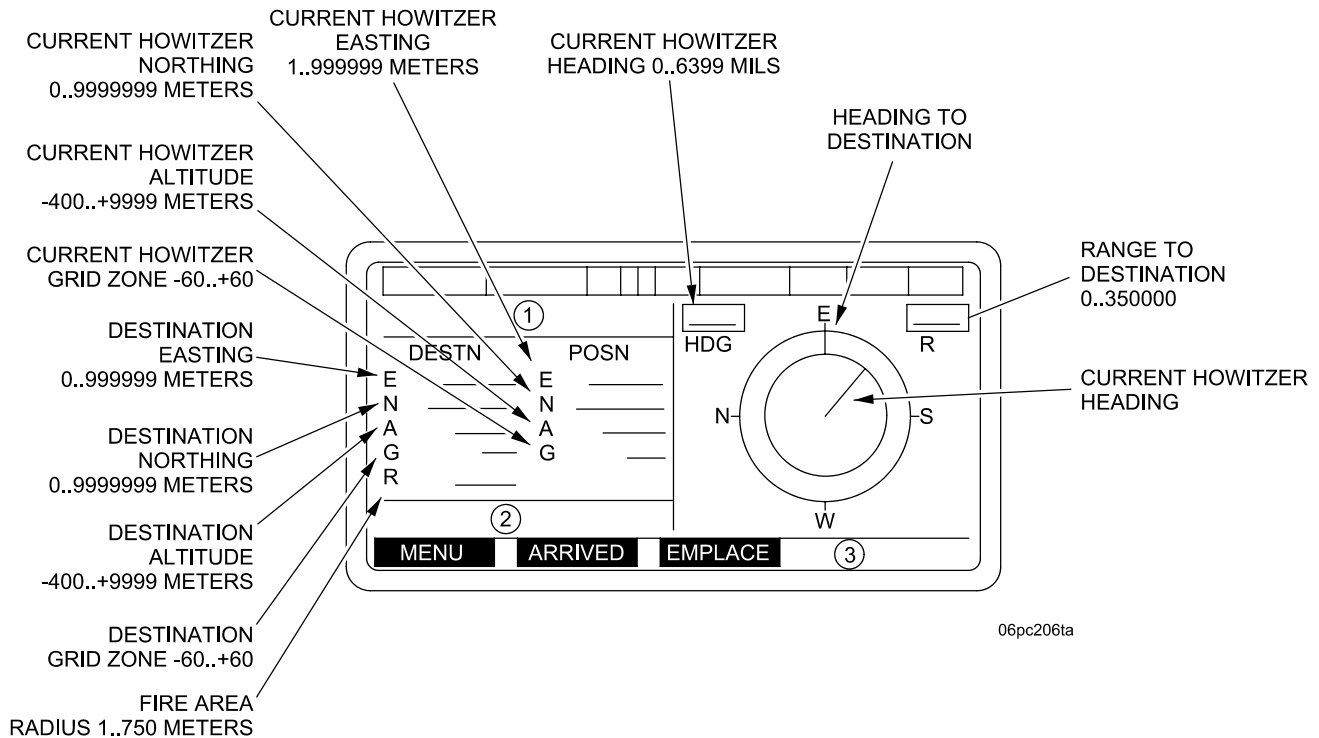
N-7.1.1 Move Order. Upon receipt of a Move Order, an audio alert will sound and an OPERATOR ALERT and a STEERTO/EMPLACEMENT screen will automatically appear if the system display was at a SECTION IN ORDER screen. If the SET UP AND INFORMATION screen is displayed a MOVE ORDER alert will appear in field 3 of the screen, and an OPERATOR ALERT, "MOVE MISSION" "ACK", will be displayed and the CANCEL softkey must be pressed to display the STEERTO/EMPLACEMENT screen. Once the vehicle has moved about 25 meters an audible and softkey alert "PRESS ACK WHEN TUBE STOWED" "ACK" will be displayed. Acknowledge the tube is stowed and press ACK softkey.

N-7 AFCS TRAVEL MODE - CONTINUED

N-7.1 Movement - Continued

N-7.1.1 Move Order - Continued

STEERTO display screens:



06pc206ta

- ① "STEERTO FIRE AREA" - Destination is Fire Area
 "STEERTO INIT POINT" - Destination is Initialization point
 "STEERTO LOG POINT" - Destination is Logistics Point
 "STEERTO FIRE POINT" - Destination is Fire Point
- ② "ORDERED MOVE IN PROGRESS"
 "STOP MOVING AND WAIT"
 "MOVE IN PROGRESS"
 "NO AUTHORITY OR ORDERS TO MOVE"
 "AWAITING START OF ORDERED MOVE"
 "DO NOT START ORDERED MOVE"
- ③ "ZUPT REQUIRED"
 "NAV POS UPDATE REQUIRED"

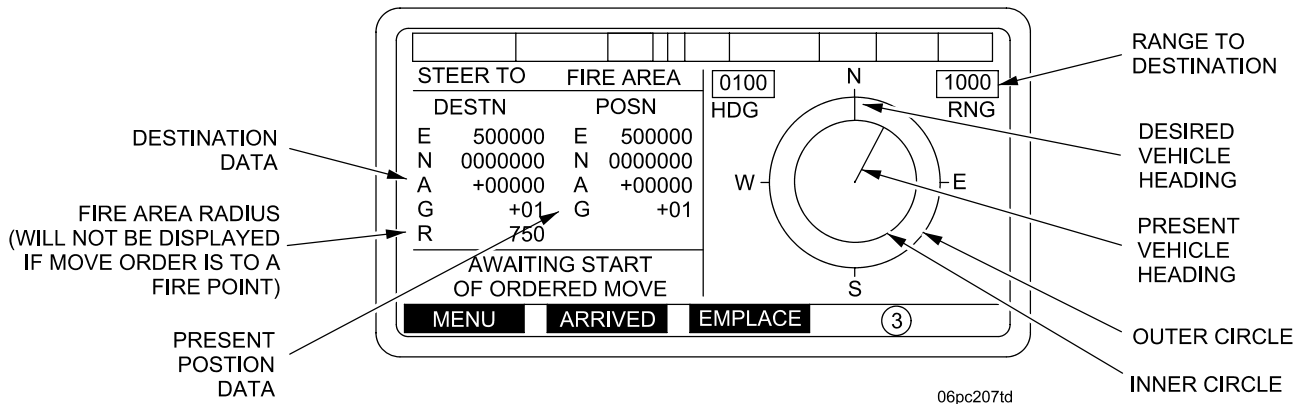
N-7 AFCS TRAVEL MODE - CONTINUED

N-7.1 Movement - Continued

N-7.1.1 Move Order - Continued

The STEER TO FIRE AREA screen contains the following:

- MO - Describes Move Order status.
- DESTN - Indicates destination coordinates: (E) Easting, (N) Northing, (A) Altitude, (G) Grid Zone, (R) Radius of operating area,
- POSN - Indicates present howitzer position: (E) Easting, (N) Northing, (A) Altitude, (G) Grid Zone.
- HDG - Howitzer's numerical heading in Mils (Azimuth).
- RNG - Range to destination in radial distance.
- Graphic Display - N, E, S, W on outer circle, indicates North, East, South and West and rotates like a compass. The line running from the center of display to edge of the inner circle indicates present vehicle heading. The line between the inner and outer circle indicates the desired heading. When these two lines are aligned, the vehicle is traveling toward destination.



N-7 AFCS TRAVEL MODE - CONTINUED

N-7.1 Movement - Continued

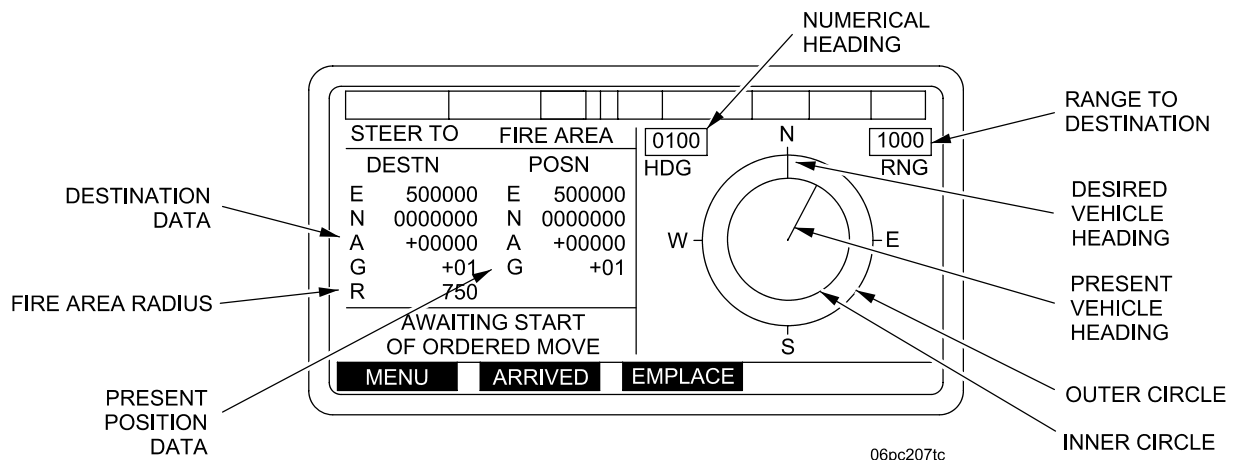
N-7.1.2 Moving. During movement of the howitzer, the STEER TO FIRE AREA screen will assist the operator in locating his destination. While the howitzer is on the move, the following will occur:

- The graphic portion of the display will indicate the howitzer's movement by the outer circle of the display moving according to the vehicle heading. The line from center of the display to the inner circle will move as the howitzer changes directions.
- The alphanumeric portion of the display under POSN will provide the operator with his current position constantly. The display above HDG will change as the howitzer changes headings and the display above RNG will change to indicate whether the movement is away from destination (increase) or toward destination (decrease).
- Navigation system update may occur (zero velocity update) to maintain location accuracy.

N-7.1.3 Zero Velocity Updates. "Periodic Zero Velocity Updates (ZUPT) may be required if the VMS fails or is out, and the GPS is not valid. ZUPTs are required to increase the accuracy of the Navigation Subsystem. To insure proper Navigation Subsystem Operation and to maintain system performance accuracies, ALL Requested ZUPTs must be honored". When an update is required, the AFCS will notify the operator with an audible alert and "ZPT" will appear in Field 6 and a softkey alert "ZUPT REQUIRED", "ACK". To accomplish a ZUPT, perform the following steps:

- Stop the vehicle as soon as possible after the alert (the less time traveled between each ZUPT, the better the system accuracy).
- Press ACK key to acknowledge operator alert.
- Remain stopped until ZUPT is complete. ZUPT is done automatically during this period.

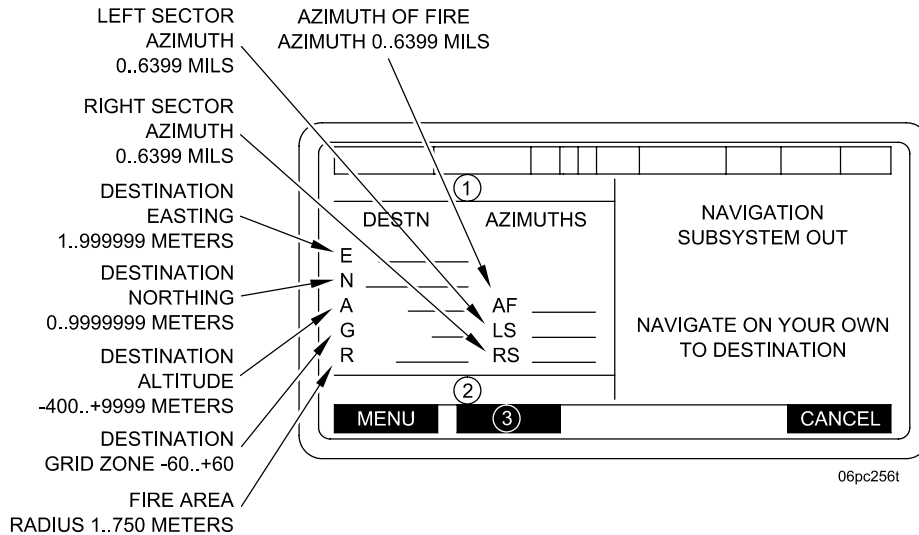
When the ZUPT is complete, another operator alert will be displayed, "ZUPT NO LONGER REQUIRED", "ACK". "ZPT" is no longer displayed in status line. Press ACK key, then vehicle movement can be continued.



N-7 AFCS TRAVEL MODE - CONTINUED

N-7.1 Movement - Continued

N-7.1.4 Moving with Navigation System Degraded. If a navigation system failure occurs while the howitzer is moving, the operator will be alerted visually with a NAVIGATE ON YOUR OWN TO DESTINATION display. The chief of section must use established navigation procedures to reach the destination shown. If only the PLGR/DAGR is operational there will be no HDG information on the display.



- 1 "DEGRADED FIRE AREA" - Destination Is Fire Area
 "DEGRADED INIT POINT" - Destination Is Initialization Point
 "DEGRADED LOG POINT" - Destination Is Logistics Point
 "DEGRADED FIRE POINT" - Destination Is Fire Point

- 2 "ORDERED MOVE IN PROGRESS"
 "STOP MOVING AND WAIT"
 "MOVE IN PROGRESS"
 "NO AUTHORITY OR ORDERS TO MOVE"
 "AWAITING START OF ORDERED MOVE"
 "DO NOT START ORDERED MOVE"

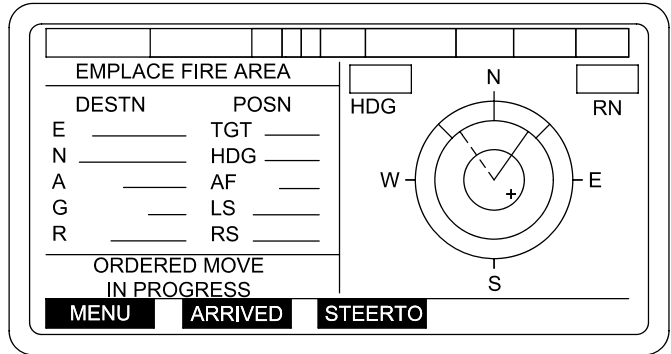
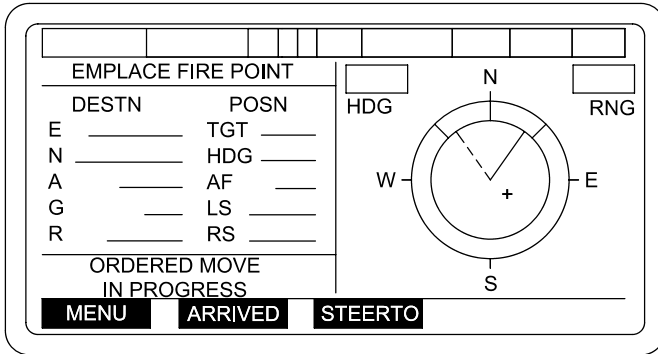
- 3 MOVING softkey only appears when the Navigation System is DEGRADED or OUT. Press MOVING softkey after vehicle starts moving to inform the navigation system that the vehicle is on the move. Press ARRIVED key when vehicle has arrived at destination.

N-7 AFCS TRAVEL MODE - CONTINUED

N-7.2 Emplacement Fire Point/Fire Area.

When the howitzer enters the radius the AFCS will display the Emplacement at a FIRING AREA/POINT screen depending on type of MOVE ORDER received.

The EMPLACE FIRE POINT screen is also used for DESTINATION TYPES, INITIALIZATION POINT and LOGISTICS POINT emplacement.

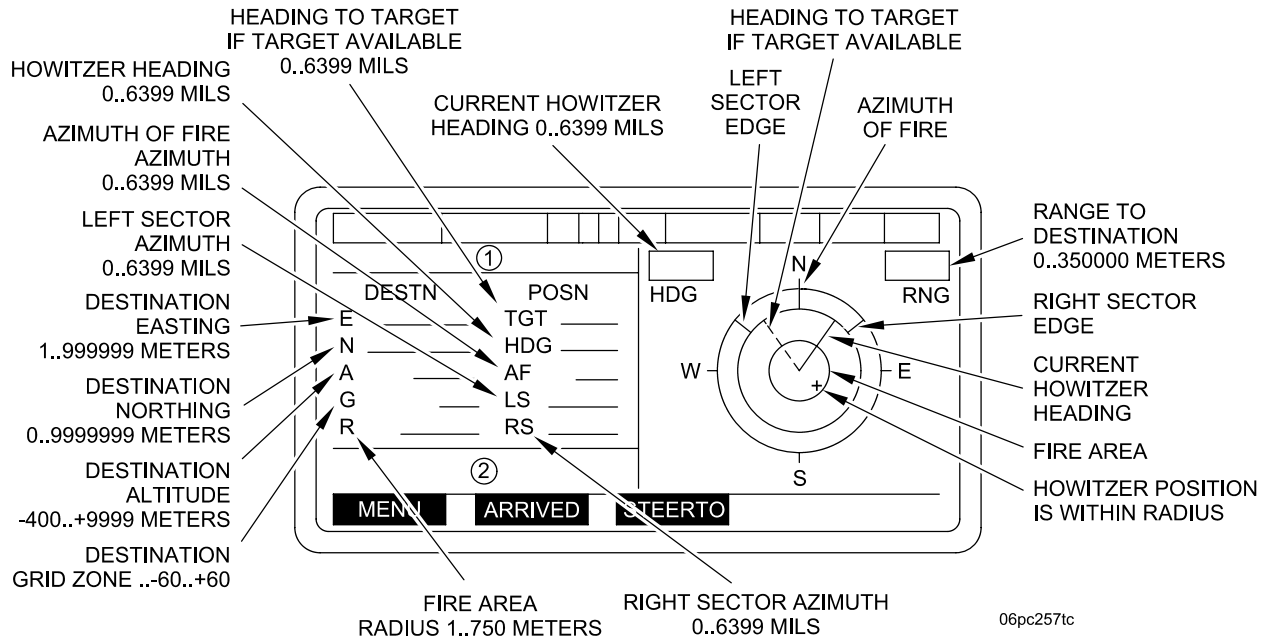


06pc257tb

N-7 AFCS TRAVEL MODE - CONTINUED

N-7.2 Emplacement Fire Point/Fire Area - Continued

EMPLACE FIRE AREA Screen - The data on the EMPLACE FIRE AREA screen is the same as the STEER TO FIRE AREA screen with the following exceptions:



06pc257tc

- ① "EMPLACE FIRE AREA" - Destination Is Fire Area
 "EMPLACE INIT POINT" - Destination Is Initialization Point
 "EMPLACE LOG POINT" - Destination Is Logistics Point
 "EMPLACE FIRE POINT" - Destination Is Fire Point

- ② "ORDERED MOVE IN PROGRESS"
 "STOP MOVING AND WAIT"
 "MOVE IN PROGRESS"
 "NO AUTHORITY OR ORDERS TO MOVE"
 "AWAITING START OF ORDERED MOVE"
 "DO NOT START ORDERED MOVE"

N-7 AFCS TRAVEL MODE - CONTINUED

N-7.2 Emplacement Fire Point/Fire Area - Continued

- a. Plus Sign - Represents the vehicle. When the vehicle is within the allowable move area assigned by the Platoon Operation Center (POC), the "+" will appear on the display. As the vehicle moves, the plus sign will also move, indicating direction of travel.
- b. Inner Circle - Represents the Allowable Movement Area and will vary in size. This is determined by the radius of the Fire Area and is assigned by POC with a Move Order. This circle is an Emplacement Aid.

NOTE

- If EMPLACEMENT screen was accessed prior to arriving at next firing area the EMPLACEMENT screen may not display automatically.
 - Once the vehicle is within the inner circle (shown by the + sign) the CHIEF OF SECTION may choose his emplacement position to take advantage of terrain features.
- c. The line running from middle circle to outer circle between N and E represents Right Sector of Fire and the line between N and W represents Left Sector of Fire. The line under N represents Azimuth of Fire. The sector of fire is assigned by POC with the Move Order.
 - d. Solid Line - Represents the current heading. It extends from the center of the smallest circle to the edge of the middle circle. When this line is aligned with the line under the "N", the vehicle is travelling toward the ordered destination.
 - e. Dotted Line - Represents the gun-target line to a Final Protective Fire (FPF) target (if stored on AFCS) and is designated by the POC.
 - f. Destination - Represented by the intersection of the solid line and the dotted line at the center of the smallest circle.
 - g. Azimuths - Display of azimuths in Mils to TGT (FPF target if one exists), HDG (present howitzer heading), AF (Azimuth of Fire), LS (Left Sector of Fire), RS (Right Sector of Fire).

N-7.2.1 Emplacing. Once the plus sign is within the designated firing area the howitzer has reached it's destination. The howitzer is then maneuvered until vehicle heading (solid line from the center of the smallest circle to the edge of the middle circle) is aligned as closely as possible with the Azimuth of Fire Line (center solid line between the middle and outer circle). When these lines are aligned, the howitzer is roughly laid on the Azimuth of LAY.

NOTE

- DRUH position data improves approximately 30 seconds after the howitzer is stopped. The chief of section has the option of awaiting this time and then pressing the ARRIVED softkey to achieve optimum positioning data. However, this option should not be considered during an emergency fire mission. (EMERGENCY MISSION)
- Before pressing ARRIVED key you must record your position data and Azimuth of Fire (Base Azimuth) in case the AFCS fails.

N-7 AFCS TRAVEL MODE - CONTINUED

N-7.2 Emplacement Fire Point/Fire Area - Continued

N-7.2.1 Emplacing - Continued

NOTE - Continued

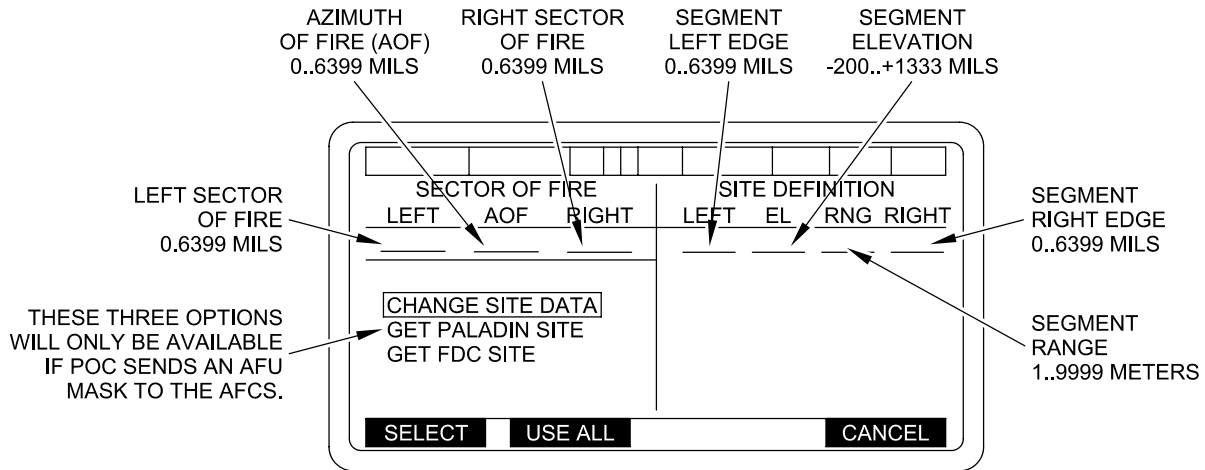
- If cab-side VMS modem is disconnected and position data is not available from the PLGR/DAGR, the DRUH position data will degrade even though the howitzer is not moving. This data may degrade to the point where the navigation subsystem will be declared out.
- The softkey under ARRIVED on the MOVE ORDER screen must be pressed before the gun tube is unstowed from travel lock. This action establishes the TUBE STOW (travel lock) position. Pressing the STOW key will move the tube back to this azimuth.
- If EMPLACEMENT screen was accessed prior to arriving at next firing area the EMPLACEMENT screen may not display automatically.
- Once the vehicle is within the inner circle (shown by the + sign) the CHIEF OF SECTION may choose his emplacement position to take advantage of terrain features.
- When emplacing the howitzer, the Azimuth of Fire (Azimuth of LAY) from the Move Order is the azimuth the AFCS holds as the "Base Azimuth" (the 3200 deflection reference position). This is the azimuth used by the AFCS to compute ballistic data, and is also sent to the FDC in the PIECE STATUS (HOW: UPDATE) message for ballistic computations at the FDC.
- When emplacing at a FIRING POINT the howitzer range must be 50 meters or less. (Optimum 10 meters or less)

Press the ARRIVED softkey on the EMPLACE FIRE AREA or Fire Point Site Definition screen to display a SITE DEFINITION screen. Take the tube out of travel lock.

N-7 AFCS TRAVEL MODE - CONTINUED

N-7.2 Emplacement Fire Point/Fire Area - Continued

N-7.2.1 Emplacing - Continued

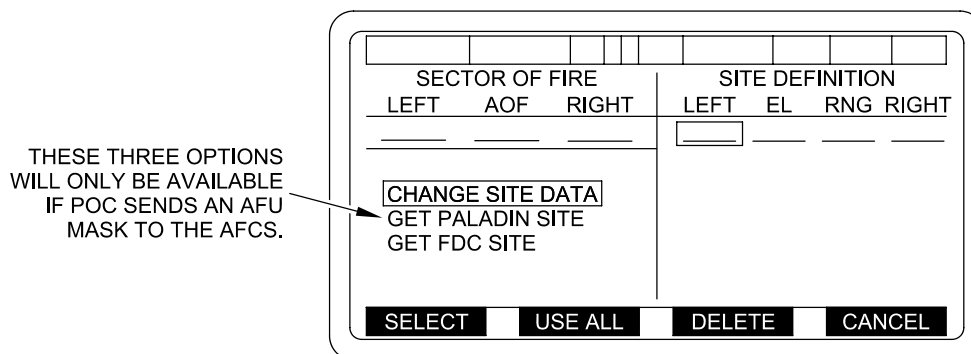


06pc331t

Automatic selection boxing will occur starting from field LEFT and then continuing from LEFT to RIGHT, to field EL RNG and RIGHT, after each previous entry has been ENTERED.

N-7.2.2 Site Data. Identifies left and right limits, range and elevation in mils, and is used to ensure that all rounds clear crests within the howitzer's SECTOR OF FIRE. Up to eight sets of site definition data can be entered. Site definition data is determined using the same procedures as SITE TO CREST (sighting through the cannon tube). This data is entered using the SITE DEFINITION screen as follows:

- Obtain SECTOR OF FIRE data from POC. Normally Azimuth of Fire, Left and Right Sector limits will be provided by the POC in the Move Order and will be displayed automatically on the SITE DEFINITION menu on the left side of the screen under LEFT AOF RIGHT headings.
- Press the DELETE key to remove SITE DATA from previous occupation. Box in limit under column to be changed and press the SELECT key.



06pc332ta

N-7 AFCS TRAVEL MODE - CONTINUED

N-7.2 Emplacement Fire Point/Fire Area - Continued

N-7.2.2 Site Data - Continued

- c. One Line SITE DATA (For Initial Occupation). Pressing the ARRIVED key the COS must obtain One Line SITE DATA. AFTER removing the gun tube from the travel lock the COS brings the cursor box to the left limit and presses SELECT, then traverses the gun tube to the left while monitoring the Azimuth readout until he reaches at least one mil beyond the Left limit then press ENTER. While the GUNNER sights through the gun tube the COS elevates or depresses the gun tube to obtain immediate crest. COS brings the cursor box to the Right limit and presses SELECT then COS traverses the gun tube to the Right limit while the GUNNER sights through the gun tube. COS elevates gun tube upon the COMMAND "Elevate" from the GUNNER when the GUNNER needs to clear an obstruction until the COS reaches the Right limit while monitoring the Azimuth readout, then presses ENTER. Before moving the gun tube, COS then cursors to the entry under EL, presses SELECT and ENT to obtain elevation to immediate Crest. COS then cursors to entry under Range, presses SELECT and ENT and inputs RANGE TO CREST from the numeric keypad and presses ENT. Upon completion of One Line SITE DATA the COS then presses USE ALL to input MIN QE.

SECTOR OF FIRE LEFT AOF RIGHT — — — —	SITE DEFINITION LEFT EL RING RIGHT — — — —
TYPE MINIMUM FIRING QE IN MILS -200 TO 1333 - PRESS ENTER KEY - 1333	
+/-	

06pc215ta

Pressing the ENTER key will display SECTION IN ORDER menu. During NORMAL OPERATIONS the last value entered shall be displayed.

- d. MINIMUM QUADRANT ENTRY. Upon completion of One Line SITE DATA, press USE ALL and a display will appear in the left side of the SITE DEFINITION screen. Enter the MIN QE obtained from the POC for the current position. Upon voice verification of the MIN QE with the POC, press the ENT key. This will display the SECTION IN ORDER at FIRING AREA/POINT screen.
- e. Send piece status to POC.

NOTE

COS will obtain MAX QE and send updated piece status to POC (see para N-8.7.3).

N-7.2.2.1 SITE DEFINITION screen display. With the GUNNER sighting through the tube the COS elevates or depresses the gun tube to obtain immediate Crest. COS traverses right while the GUNNER looks through the gun tube. When an obstruction appears, data for the Left limit SITE DEFINITION can be entered by pressing the ENT key. The SITE DEFINITION screen with Left Azimuth will be displayed. Perform steps d and e to establish 6400 mils SITE DEFINITION.

NOTE

This procedure is conducted as part of Position Improvement.

N-7 AFCS TRAVEL MODE - CONTINUED

N-7.2 Emplacement Fire Point/Fire Area - Continued

N-7.2.2 Site Data - Continued

CURRENT TUBE AZIMUTH AND ELEVATION IS DISPLAYED WHEN SELECT IS PRESSED. AS THE TUBE IS MOVED THE AZIMUTH AND ELEVATION DISPLAY WILL BE UPDATED.

NOT PRESENT IF NAV DEGRADED

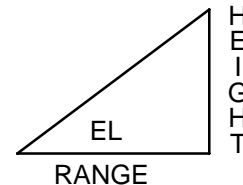
06pc211ta

1 THE FOLLOWING PROMPTS ARE DISPLAYED DEPENDING ON WHICH FIELD IS SELECTED:

<p>WHEN "LEFT" IS SELECTED MOVE TUBE OR TYPE LEFT EDGE OF SITE IN MILS: 0 TO 6399 -PRESS ENT KEY-</p>	<p>WHEN "EL" IS SELECTED MOVE TUBE OR TYPE ELEVATION OF SITE IN MILS: -200 TO 1333 -PRESS ENT KEY-</p>
<p>WHEN "RNG" IS SELECTED TYPE RANGE TO SITE IN METERS: 1 TO 9999 -PRESS ENT KEY-</p>	<p>WHEN "RIGHT" IS SELECTED MOVE TUBE OR TYPE RIGHT EDGE OF SITE IN MILS: 0 TO 6399 -PRESS ENT KEY-</p>

NOTE: MASK HEIGHT CANNOT EXCEED 10,000 METERS, THEREFORE:

- (A) UPPER LIMIT ON RANGE WILL CHANGE DEPENDING ON CURRENT MASK ELEVATION
- (B) UPPER LIMIT ON ELEVATION WILL CHANGE DEPENDING ON CURRENT MASK RANGE



NOTE: WHEN CURRENT TUBE POSITION IS USED TO SET MASK ELEVATION:
 IF THE RANGE FIELD CONTAINS AN ENTRY WHICH RESULTS IN A MASK EXCEEDING 10,000 METERS, THE RANGE FIELD WILL BE RESET TO THE MAXIMUM ALLOWED VALUE AND THE FOLLOWING MESSAGE WILL BE DISPLAYED: **"WARNING - RANGE SET TO MAXIMUM", "ACK"**

Automatic selection boxing will occur starting from field LEFT and then continuing from LEFT to RIGHT, to field EL, RNG, and RIGHT, after each previous entry has been ENTERED.

N-7 AFCS TRAVEL MODE - CONTINUED

N-7.2 Emplacement Fire Point/Fire Area - Continued

N-7.2.2 Site Data - Continued

- a. Select column (LEFT) to display left limit SITE DEFINITION screen. Data for this limit can be typed in, or use tube position. Enter data by pressing ENT key.

SECTOR OF FIRE SITE DEFINITION
LEFT AOF RIGHT LEFT EL RNG RIGHT

TYPE
LEFT EDGE OF SITE
IN MILS:
0 TO 6399
- PRESS ENT KEY -

CANCEL

06pc329t

NOTE

- Numerical value must be entered before sign. Default sign is (+).
 - Upper limit on elevation will change depending on current mask range. If range is blank, default shall be 1333.
- b. Select next limit column (EL) to display Elevation SITE DEFINITION screen. Enter elevation data in the same manner as left limit (type in data or use gun tube position). If elevation is below zero, press +/- key to place minus sign in front of numbers to be entered (used only when typing in data). Press ENT key.

SECTOR OF FIRE SITE DEFINITION
LEFT AOF RIGHT LEFT EL RNG RIGHT

TYPE
ELEVATION OF SITE
IN MILS:
-200 TO 1333
- PRESS ENT KEY -

CANCEL

+/-

SEGMENT ELEVATION

ELEVATION ENTRY ONLY

06pc330ta

NOTE

Upper limit on elevation will change depending on current mask elevation. If elevation is blank, default shall be 9999.

N-7 AFCS TRAVEL MODE - CONTINUED

N-7.2 Emplacement Fire Point/Fire Area - Continued

N-7.2.2 Site Data - Continued

- c. Select next limit column (RNG) to display the Range SITE DEFINITION screen. Enter range to crest and press ENT key. (Data for this must be typed in; gun tube position cannot be used.)

SECTOR OF FIRE			SITE DEFINITION			
LEFT	AOF	RIGHT	LEFT	EL	RNG	RIGHT
---	---	---	---	---	<input type="text"/>	---
TYPE RANGE TO SITE IN METERS: 1 TO 9999 - PRESS ENTER KEY -						
			<input type="button" value="DELETE"/> <input type="button" value="CANCEL"/>			

06pc334t

- d. Select next limit column (RIGHT) to display the right limit SITE DEFINITION screen. Data for this limit can be typed in, or use tube position. Enter data by pressing ENT key.

SECTOR OF FIRE			SITE DEFINITION			
LEFT	AOF	RIGHT	LEFT	EL	RNG	RIGHT
---	---	---	---	---	<input type="text"/>	---
MOVE TUBE OR TYPE RIGHT EDGE OF SITE IN MILS: 0 TO 6399 - PRESS ENTER KEY -						
			<input type="button" value="DELETE"/> <input type="button" value="CANCEL"/>			

06pc335t

- e. Using arrow key, move cursor box to next available line and to the left and identify next obstruction.
- f. Sequence can be repeated as many as seven times if needed.

N-7.2.3 Section In Order. When all data is correct, press ENTER key. This will bring up a SECTION IN ORDER WITHIN FIRE AREA or SECTION IN ORDER AT FIRE POINT screen depending on whether the Move Order was a move to a FIRE AREA or FIRE POINT. An ordered move of any other type would be indicated as such in field 11 of the menu.

SECTOR OF FIRE			SITE DEFINITION			
LEFT	AOF	RIGHT	LEFT	EL	RING	RIGHT
---	---	---	---	---	---	---
TYPE MINIMUM FIRING QE IN MILS -200 TO 1333 - PRESS ENTER KEY -						
<input type="text" value="1333"/>						
			<input type="button" value="+/-"/>			

06pc215ta

N-7 AFCS TRAVEL MODE - CONTINUED

N-7.2 Emplacement Fire Point/Fire Area - Continued

N-7.2.3 Section In Order - Continued

NOTE

- See Table N-4 in Section N-4 (AFCS Operating Controls and Indicators) for instructions and warnings which could appear on the SECTION IN ORDER display.
- When SECTION IN ORDER screen is displayed, the commanded deflection (CMD DEFL) may be either: 1) the Azimuth of Fire (Azimuth of LAY) from the Move Order, expressed at 3200 deflection. Since this is also the "Base Azimuth" position (the difference between the 3200 reference and the ordered Azimuth of LAY); or 2) if a Final Protective Fire (FPF) or Priority (PRI) target has been designated by the POC, the CMD DEFL will be the deflection from "Base Azimuth" to the FPF; or 3) when a Manual Move Order has been done, the CMD DEFL is the default Azimuth of Fire (Base Azimuth) entered upon initialization.
- LOAD/LAY and STOW will not be displayed unless the gun switch is in the ON position.

06pc157te

Listed below are the legal values for each field of the SECTION IN ORDER display:

- RNDS = Number of rounds remaining to fire 0..999 or blank
- SHELL = Shell model only (see Table N-6) or blank
- SHELL LOT = A..Z or blank
- PROP = Propellant model (see Table N-6) or blank
- PROP LOT = A..Z or blank
- PROP CHG = Propellant charge designator (see Table N-6) or blank
- FUZE = Fuze model only (see Table N-6) or blank
- FUZE SETTING = Computed fuze setting, "PD" or "DELAY"
- DEFL (or AZ) = 0.0..6399.9 mils
- QUAD = -200.0..+1600.0 mils
- TARGET ID = FPF/PRI target identification if a target exists; otherwise blank

N-7 AFCS TRAVEL MODE - CONTINUED

N-7.2 Emplacement Fire Point/Fire Area - Continued

N-7.2.3 Section In Order - Continued

See Table N-4 in Section N-4 (AFCS Operating Controls and Indicators) for instructions and warnings which could appear on the SECTION IN ORDER display.

N-7.2.4 Establish Distant Aiming Point or Set Collimator Per Unit SOP.

NOTE

If time permits, the crew should set out collimator or select a DAP and set the PANTEL with the tube "Base Azimuth". If this is not possible immediately, traverse back to "Base Azimuth" using one of the following procedures based on the conditions indicated on the SECTION IN ORDER screen.

- a. Use this procedure when the CMD DEFL reads 3200 deflection and there is no FPF nor PRIORITY (PRI) target displayed on the SECTION IN ORDER screen. Under these conditions, CMD DEFL is using the Azimuth of Fire (Base Azimuth). To move the tube to Base Azimuth, 1) Turn on hydraulic power, 2) Set GUN SERVO switch to ON, and 3) Press/hold the LOAD key until the LOAD indicator is highlighted in the upper right corner of the screen. Tube is now laid on Azimuth of Fire (Base Azimuth) and both the ACTL DEFL and CMD DEFL should read 3200. 4) Sight onto the Collimator or the DAP and set 3200 Deflection on the PANTEL.
- b. Use this procedure when the CMD DEFL shows a deflection other than 3200 and there is either an FPF or PRIORITY (PRI) target displayed on the SECTION IN ORDER screen. The CMD DEFL is the Firing Azimuth for the FPF/PRI target, so the LOAD key cannot be used to move the tube to 3200 deflection. Under these conditions, 1) use the Hydraulic Power Handle Controls to traverse the tube until the ACTL DEFL reads 3200 deflection. Tube is now laid on Center of Sector (Base Azimuth). 2) Sight onto the Collimator or the DAP and set 3200 Deflection on the PANTEL.

NOTE

If the AFCS fails, use the Azimuth of Fire recorded during emplacement as Azimuth of Lay (Base Azimuth) and use reciprocal lay procedures with the aid of an operational howitzer.

N-7.2.5 Final Laying of Gun Tube at FIRING AREA. It is necessary to lay the gun tube on the Azimuth of Fire (from MOVE ORDER) or the FPF/PRI azimuth/deflection. The SECTION IN ORDER screen will show a difference between the ACTL DEFL and the CMD DEFL. The ACTL and CMD values must be the same for the gun tube to be laid. To accomplish this: 1) set GUN SERVO switch to ON, and 2) depress and hold LOAD key (para N-4). The gun will traverse to the CMD DEFL (match ACTL and CMD) and to the LOAD ELEVATION stored at initialization. When the LOAD indicator is highlighted, release the LOAD key.

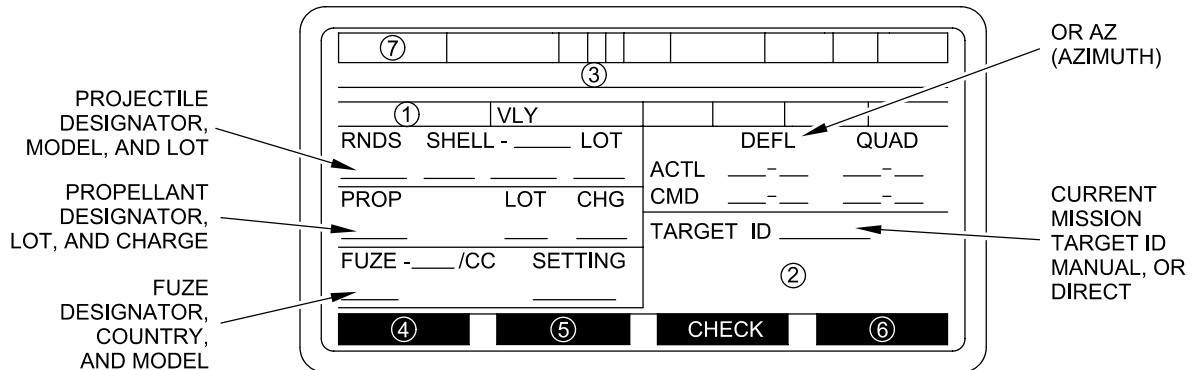
N-8 AFCS FIRE MISSION.

Fire missions are usually generated as a result of a message from the FDC to the AFCS. Included in the message are target location, method of control, and ammunition to fire (if ammunition is not specified the AFCS will default to its own selection). When the message is received by the AFCS, a FIRE MISSION display is displayed on the DU and an audible alert is sounded through the intercom system. The Ballistics Computer will then compute the ballistics (azimuth and quadrant), based on ammunition data (projectile, propellant, and fuze), target location and the location of the howitzer (provided by the navigation system). The ballistic solution is then displayed on the FIRE MISSION display.

A typical FIRE MISSION display contains the following:

WARNING

The crew compartment must be adequately ventilated during all firing using the LEAD PARTICULATE FILTER or ventilation system in accordance with para 2-22.2.



06pc242t

Listed below are the legal values for each field of FIRE MISSION display.

NOTE

The 1/1, 1/2, and 2/2 data shall not be displayed for direct or FDC Fire Command fire missions.

- VLY / = current volley being displayed: 1/1, 1/2 or 2/2
- RNDS = Number of rounds remaining to fire 1..99 or blank
- SHELL = Shell model only (see Table N-6) or blank
- SHELL LOT = A..Z or blank
- PROP = Propellant model (see Table N-6) or blank
- PROP LOT = A..Z or blank
- CHG = Propellant charge designator (see Table N-5) or blank
- FUZE = Fuze model only (see Table N-6) or blank
- FUZE SETTING = Computed fuze setting, "PD" or "DELAY"
- DEFL or AZ = 0.0..6399.9 mils or blank
- QUAD = -200.0..+1600.0 mils or blank
- TARGET ID = Current mission target identification

N-8 AFCS FIRE MISSION - CONTINUED

Instructions and warnings which could appear on the FIRE MISSION display:

See Table N-2 in Section N-4 (AFCS Operating Controls and Indicators) for instructions and warnings which could appear on the FIRE MISSION display.

The following alerts shall appear if the operator presses the LOAD or LAY keys and the tube transitions across the minimum quadrant elevation:

MINIMUM QE VIOLATED

ACK

The Gun Tube has violated the minimum QE as entered by the AFCS operator in the Enter Minimum Firing QE Display. A type 2 audio alert will sound until the ACK key is pressed.

MINIMUM QE NO LONGER VIOLATED

ACK

The Gun Tube no longer violates the minimum QE as entered by the AFCS operator in the Enter Minimum Firing QE Display. A type 2 audio alert will sound until the ACK key is pressed.

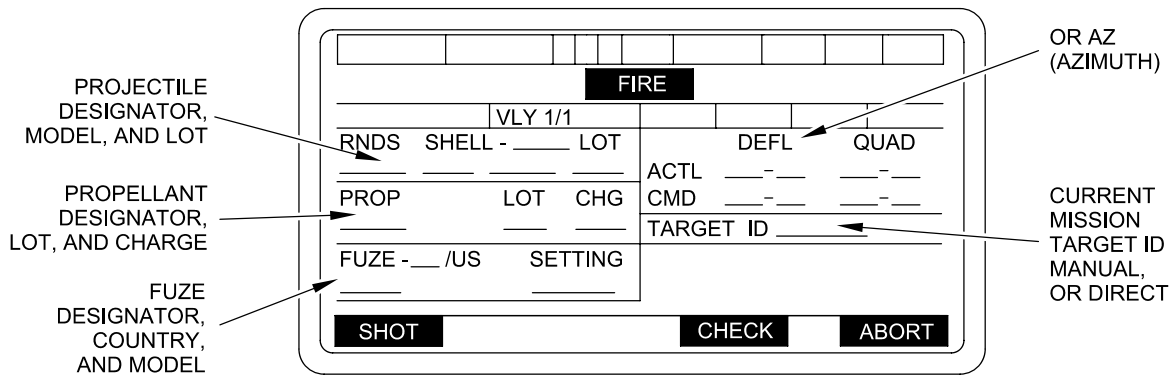
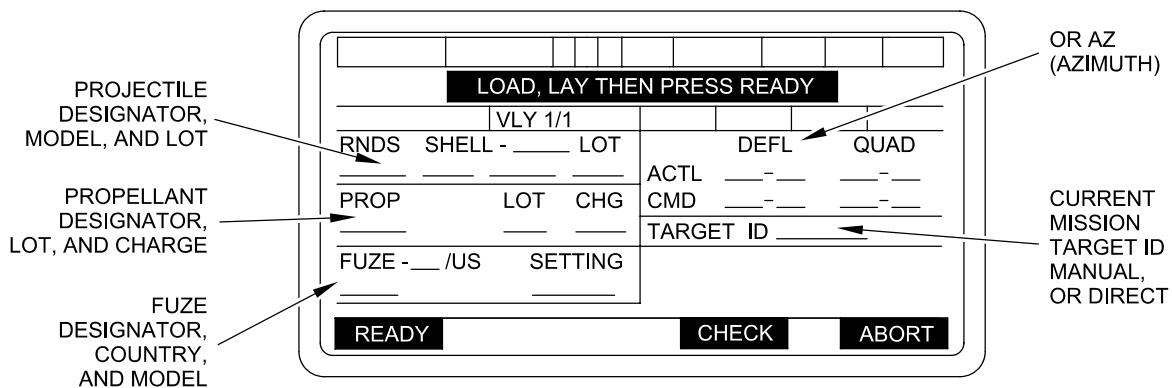
Fire Mission Received. When displayed, press ACK to confirm receipt of fire mission.

N-8 AFCS FIRE MISSION - CONTINUED

N-8.1 Platoon Operation Center.

Although the howitzer has the ability to compute its own firing data, the actual firing of a mission is controlled by the POC. The control method is included within the fire mission message and displayed on the FIRE MISSION screen. Control methods are as follows:

- a. AT MY COMMAND. In this method, the POC controls when the howitzer is fired. (An example is a normal Copperhead mission.) The Method of Control field of the FIRE MISSION screen will tell the COS to LOAD, LAY, then press READY key. When these are accomplished, a message that the howitzer is ready to fire is sent to the POC. When the FIRE COMMAND is issued by the POC, an audible alert and an alternating tone is sounded and a FIRE prompt is displayed. If more than one volley is to be fired, the other volleys will be FIRE WHEN READY.

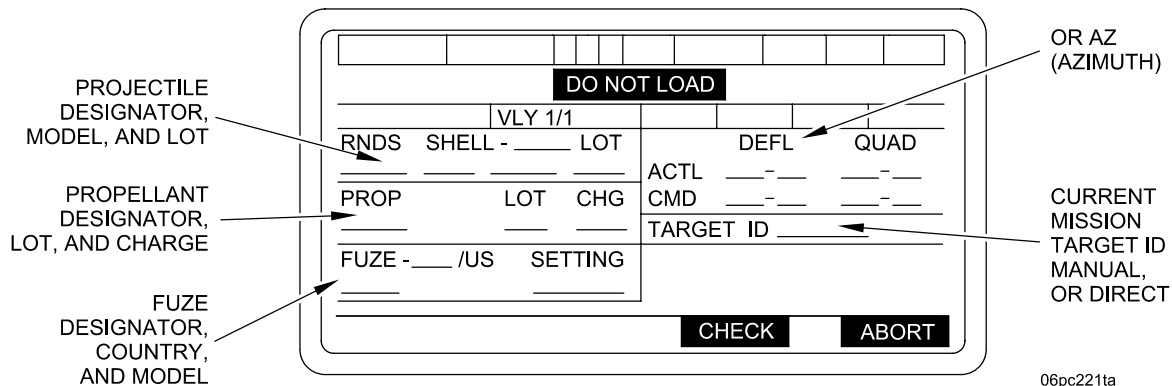


06pc220ta

N-8 AFCS FIRE MISSION - CONTINUED

N-8.1 Platoon Operation Center - Continued

- b. **DO NOT LOAD.** This is a restrictive command that prohibits loading and firing. This is used when it is anticipated that significant time will elapse between loading and firing. When the DO NOT LOAD command is canceled, then the FIRE command is issued, and the same audible and visual alerts will be received as in AT MY COMMAND.



- c. **TIME TO FIRE (TTF) SEQUENCE.** This sequence consists of the following:
- (1) Ballistic sequencing is performed. (COMPUTING DO NOT LOAD)
 - (2) If no ABORT is performed during the ballistic sequencing the AFCS operator is given the data.
 - (3) The AFCS operator is told to "WAIT FOR XXXX SECONDS" where xxx is the number of seconds remaining until time to fire.
 - (4) The "WAIT FOR XXX SECONDS" prompt is updated each second.
 - (5) When the countdown has expired, the AFCS operator is told to "FIRE".
 - (6) If this is not a FPF mission, then when the first shot out is detected and there is a Continuous Fire Interval specified processing continues using the Continuous Fire Interval sequence. If there are more rounds to fire, and a Continuous Fire Interval is not specified, the AFCS operator is told to "FIRE WHEN READY" (similar to when ready sequencing subsequent rounds). Otherwise, if shot out is not detected within 20 seconds then the mission is automatically ended.
- If this is a FPF mission, then when shot out is detected the AFCS operator is told to "FIRE WHEN READY" again. This is repeated until the mission is ended and no rounds complete is generated.
- (7) When rounds complete is detected the mission is automatically ended.

N-8 AFCS FIRE MISSION - CONTINUED

N-8.1 Platoon Operation Center - Continued

- d. CONTINUOUS FIRE INTERVAL SEQUENCE. The Continuous Fire Interval sequence shall be as follows for the second and subsequent rounds in a mission where a continuous fire interval is specified.
- (1) Following the first round fired using the sequences described above, the operator shall be told to "WAIT FOR XXX SECONDS" where xxx is the number of seconds remaining until time to fire.
 - (2) The "WAIT FOR XXX SECONDS" prompt shall be updated each second.
 - (3) When the countdown has expired, the operator is told to "FIRE".
 - (4) If all rounds in the mission have not been shot, processing will sequence through steps 1, 2, and 3 above.
 - (5) When rounds complete is detected, the mission is automatically ended.

N-8.2 Firing Mission.

WARNING

The crew compartment must be adequately ventilated during all firing using the LEAD PARTICULATE FILTER or ventilation system in accordance with para 2-22.2.

WARNING

LEAD PARTICULATE AND FUMES HAZARD

- The adverse effects associated with exposure of lead range from acute to relatively mild. The symptoms of severe lead intoxication include loss of appetite, metallic taste, constipation, nausea, pallor, excessive tiredness, weakness, insomnia, headache, nervous irritability, muscle and joint pains, fine tremors, numbness, dizziness, hyperactivity, and colic.
- The following precautions must be observed to ensure safety of personnel during routine and combat conditions.
- **BE ALERT** during all firing missions for exposure symptoms. If symptoms of lead intoxication are suspected, **IMMEDIATELY** ventilate vehicle. If symptoms persist, remove affected personnel from vehicle and treat as follows: Expose to fresh air, keep warm, do not permit physical exercise. (Consult FM 4-25.11, "First Aid for Soldiers", for additional instruction.) A physician should be consulted within 24 hours.

N-8 AFCS FIRE MISSION - CONTINUED**N-8.2 Firing Mission - Continued****WARNING**

Individual exposure shall be limited to a maximum firing dosage of 13 M119 charges or six M203 charges per 24 hour period. If firing dosage will exceed these limits, MCS operation with the M25A1 face mask is required.

When a fire mission is received, visual as well as an audible alert is given. The visual alerts are FIREMSN in Field 2 and OPERATOR ALERT AND ACK display. The audible alert can be heard by all crewmembers. When a fire mission is in process, each crewmember will perform his portion of the following:

- a. GUNNER and CANNONEER stow seats (if not previously stowed).
- b. Driver starts engine and/or raises idle speed to 1000-1200 rpm.
- c. COS issues the fire order (for example, 1 round HE; charge 4 green bag; Fuze Time, Time 25.0) and activates the HYDRAULIC POWER switch on the hydraulic control box and the GUN SERVO switch on the DU.
- d. Cannoneer turns LEAD FILTER switch on the Accessory Control Box to ON and moves Vent Duct Control Handle into UP position.
- e. GUNNER opens breech (first round only).
- f. CANNONEER positions rammer to RAM position.
- g. GUNNER prepares propellant (charge/zone taken from bustle stowage).
- h. CANNONEER prepares projectile and fuze (sets time on fuze if necessary).
- i. COS verifies projectile, fuze, fuze time and propellant and depresses LOAD key on DU (if necessary).
- j. When the tube is in the LOAD position, the CANNONEER places the projectile on the ram tray and activates rammer.
- k. When the ramming cycle is complete, the CANNONEER places the rammer in the stowed position.
- l. GUNNER places propellant in powder chamber and closes breech.

NOTE

When the AFCS has laid the gun and the LAY key is highlighted the gun must stay within +/- 0.9 mils of the commanded deflection.

- m. The COS presses and holds the LAY key on the DU until the cannon is laid on the COMMAND FIRING Data.
- n. COS ensures that the gun is in the LAY position by verifying and announcing LAY light is highlighted (ACTUAL and COMMANDED DEFLECTION) and QUADRANT are within tolerance (+/- 0.9) and the prompt "WARNING TUBE IS NOT IN LAY POSITION" is no longer displayed).
- o. GUNNER verifies LAY data. If data is correct GUNNER will announce "Verified". (If data is incorrect GUNNER will announce "Check firing").
- p. COS gives the command to PRIME.

N-8 AFCS FIRE MISSION - CONTINUED

N-8.2 Firing Mission - Continued

NOTE

During high angle missions or illumination missions, it is recommended prime be done at load elevation.

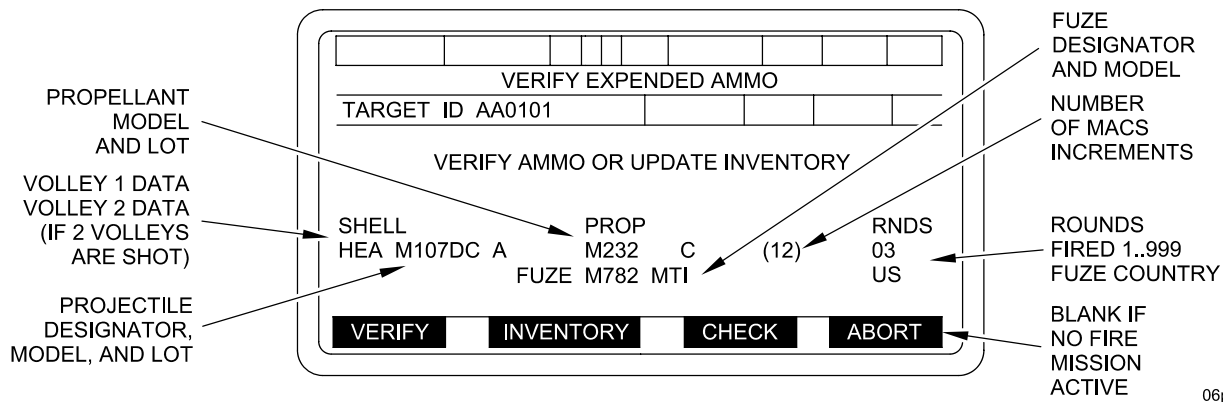
- q. COS commands "Hookup", CANNONEER attaches lanyard to firing block and announces "Hookup",
- r. COS announces, "FIRE".

NOTE

If the Navigation Subsystem or MVS are out, the AFCS will not detect the shot, and COS must press the SHOT softkey after each round.

- s. CANNONEER pulls the lanyard to fire the round.
- t. The AFCS is capable of automatically detecting Shot. In most cases pressing the SHOT softkey is not required. When a round is fired, the Navigation Subsystem and MVS will detect the round. After the round is fired and detected by the AFCS, the SHOT softkey will automatically disappear for 5 seconds, the Fire Mission will automatically decrement by one round (i.e. rounds to complete mission will decrease by one), and the Ammo Inventory will automatically be adjusted. In the very rare case that the AFCS does not detect shot, the COS must press the SHOT softkey as before.
- u. Cannoneer turns on Personnel Fan (Exhaust) switch on the Accessory Control Box and moves the Vent Duct Control Handle into DOWN position. Operate Personnel Fan for 1-2 minutes until all fumes are exhausted.

N-8.2.1 Subsequent Rounds. The first procedure is also used for all subsequent rounds in a fire mission. When all rounds have been fired for the mission, a VERIFY EXPENDED AMMO screen will be displayed. Ammunition accountability is covered in para N-8.3.



N-8 AFCS FIRE MISSION - CONTINUED

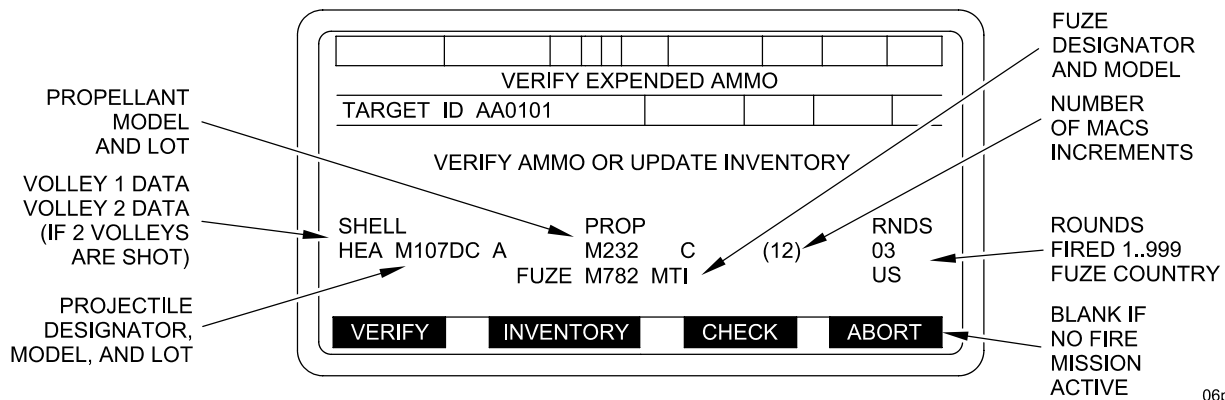
N-8.3 Ammunition Accountability.

NOTE

- If a shell, fuze or propellant is entered in the AFCS inventory, but the quantity is insufficient for the mission, or zero, the AFCS will prompt the Chief of Section to accept or reject the mission (in case a new load of ammunition just arrived and has not been entered into inventory yet).
- If a fire mission is activated while you are in any of the inventory management menus, all completed entries will be saved automatically.

It is essential that accurate ammunition updates to the AFCS be done in order to be able to fire all missions received. This should be done after a mission is fired. When all rounds in a mission have been fired, a VERIFY EXPENDED AMMO screen is displayed. This screen asks the operator either to verify ammunition fired or to update the ammo inventory. This is accomplished as follows:

- If the ammunition shown in the lower part of the VERIFY EXPENDED AMMO screen is an accurate account of the ammunition fired, press VERIFY key, to update the ammunition count. This updates the AFCS ammunition count automatically.



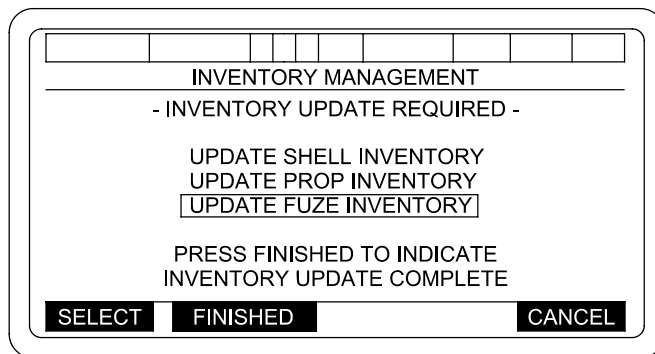
N-8 AFCS FIRE MISSION - CONTINUED

N-8.3 Ammunition Accountability - Continued

- b. If the ammunition shown on the VERIFY EXPENDED AMMO screen is not an accurate account of ammunition fired (for example, a compatible fuze was used as a substitute for the fuze specified in the mission), press the INVENTORY key. This causes an INVENTORY MANAGEMENT screen to be displayed.

NOTE

- When INVENTORY key is pressed, SHELL, PROP and FUZE must be updated.
- The message "INVENTORY UPDATE REQUIRED" only appears if the screen is entered after a fire mission and the operator has not verified the ammo from the previous fire mission, or if a direct or manual mission was performed.



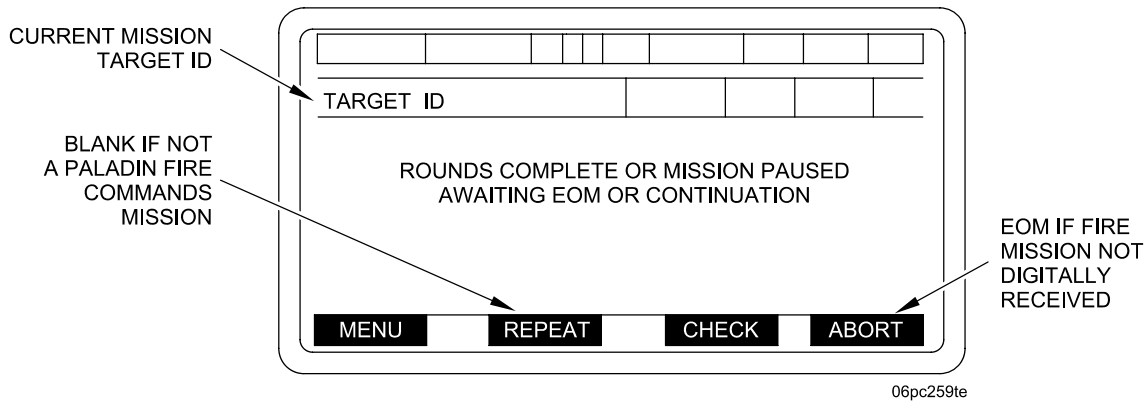
06pc172ma

- c. This will allow the operator to manually input the type of round actually fired and correct the ammo inventory.
- d. If **FINISHED** is pressed at this point, the operator will be returned to a ROUND COMPLETE screen and none of the ammo from that fire mission will be subtracted from the inventory.

N-8 AFCS FIRE MISSION - CONTINUED

N-8.4 End of Mission.

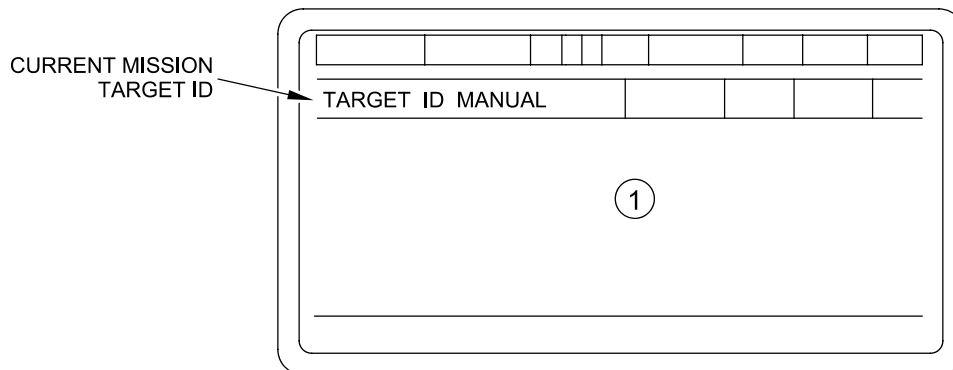
Notification that a Fire Mission has ended is sent by an END OF MISSION (EOM) message from the POC. Normally, this is done when all rounds requested in a Fire Mission have been fired. When all the rounds for a mission have been fired, a ROUNDS COMPLETE OR MISSION PAUSED, AWAITING EOM OR CONTINUATION OF MISSION screen will be displayed until an EOM message is sent from the POC. When the EOM message is received by the AFCS, an END OF MISSION screen is displayed.



Operate Personnel Fan (Exhaust) switch on the Accessory Control Box with the Vent Duct Control Handle in DOWN position for 2 minutes when crew members observe fumes, smoke or indication of carbon monoxide build up in the crew compartment.

NOTE

- While awaiting EOM or continuation of a mission, you can access the SETUP AND INFORMATION menus by pressing the MENU key (e.g. to update inventory to add new ammo received). The AFCS will automatically interrupt whatever you are doing if the fire mission is continued.
- See Table N-4 in Section N-4 (PDFCS Operating Controls and Indicators) for instructions and warnings which could appear on the SECTION IN ORDER display.



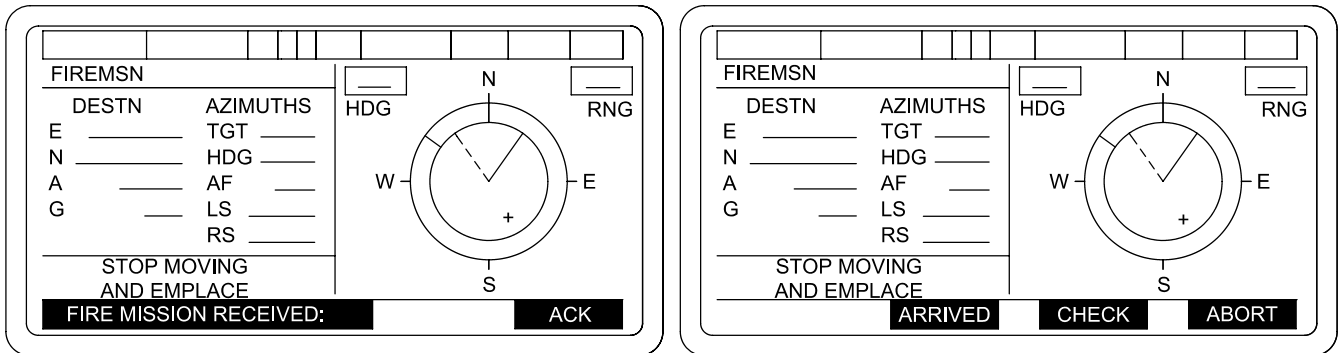
- ① **END OF MISSION** = MISSION TERMINATED NORMALLY
- MISSION ABORTED** = MISSION TERMINATED BY ABORT

06pc259td

N-8 AFCS FIRE MISSION - CONTINUED

N-8.5 AFCS Emergency Mission.

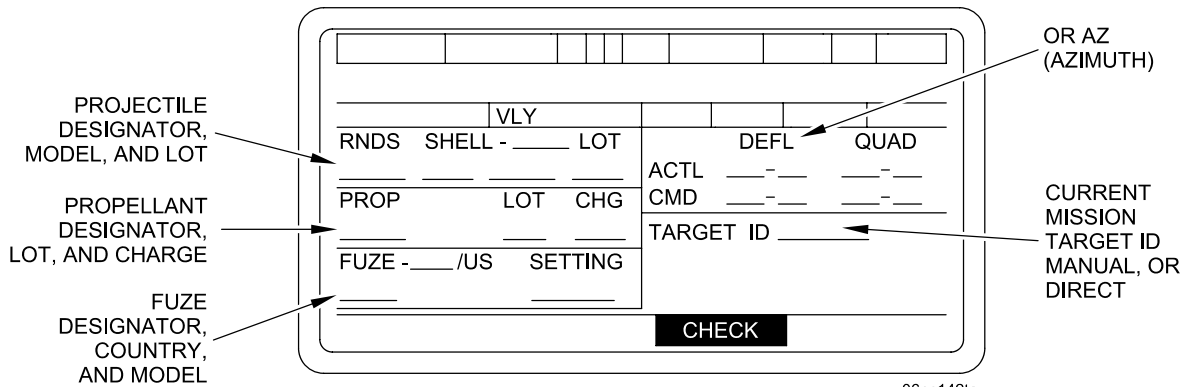
Because the M109A6 makes frequent tactical and survivability moves, receiving a Fire Mission while moving will become a routine event. During a move, a Fire Mission order may be sent requiring the individual howitzer to stop, emplace, and fire on a target at any time. When this type of order is sent, an audible alert and a visible alert in the form "FIREMSN RECEIVED" "ACK" in field 16 is displayed to the operator.



06pc274ta

N-8.5.1 Emplace.

The chief of section must ACK the mission and select a suitable firing position as quickly as possible. Depress ARRIVED softkey to receive the Fire Mission. Fire Mission data will be computed and displayed.



06pc142ta

N-8 AFCS FIRE MISSION - CONTINUED

N-8.5 AFCS Emergency Mission - Continued

N-8.5.2 Ready Gun.

- a. Set HYDRAULIC POWER switch on hydraulic control box and GUN SERVO switch on DU to ON.
- b. Release gun tube from travel lock.
- c. Release cab traverse lock.

N-8.5.3 LAY, LOAD, LAY, AND FIRE.

NOTE

Ballistic computations must have been completed before LAY key is depressed.

- a. Depress and hold LAY key to bring gun to target Azimuth and LAY elevation. Look thru tube and verify immediate Crest is clear.
- b. Depress LOAD key to LAY weapon on COMMANDED deflection and LOAD quadrant.
- c. Depress LAY key to LAY weapon on COMMANDED deflection and quadrant. Ensure LAY key is held until LAY indicator is highlighted.
- d. On command, fire the gun.

N-8.5.4 End of Mission.

- a. When END OF MISSION message is received, wait for instructions to proceed with displacement.
- b. After the END OF MISSION message, the MOVE ORDER screen with previous move mission data will be displayed.
- c. Turn on Personnel Fan (Exhaust) switch on the Accessory Control Box and move the Vent Duct Control Handle into DOWN position. Operate Personnel Fan for 1-2 minutes until all fumes are exhausted.
- d. Proceed to ordered destination.

CAUTION

Operate Personnel Fan (Exhaust) switch on the Accessory Control Box with the Vent Duct Control Handle in DOWN position for 2 minutes when crew members observe fumes, smoke or indication of carbon monoxide build up in the crew compartment.

N-8 AFCS FIRE MISSION - CONTINUED

N-8.6 Direct Fire Procedures Using AFCS.

NOTE

While the AFCS can be used, manual (one man-one sight) procedures have been found to be faster and just as accurate.

For direct fire against close range targets, AFCS can be used to aid in laying the cannon. COS identifies target, states type charge, projectile and fuze to be used, estimates speed (if target is moving) and announces lead to GUNNER. COS continues direct firing procedures until target is destroyed.

- a. COS first identifies direct fire target. If target consists of several weapons, he selects target that is the greatest threat to his position.
- b. COS gives fire command in the following order:

ELEMENT	EXAMPLE
Target designation	Target, lead tank
Target direction	Left/right front
Projectile, charge, fuze	Shell HE, charge 7, fuze quick
Lead	Lead left/right 10
Method of fire	Fire at will

NOTE

- Fire at will means to keep firing until target is destroyed or another command is given.
- COS will estimate range if he has no accurate range.
- COS will use lead chart mounted in commander's cupola (shown below) for initial lead.

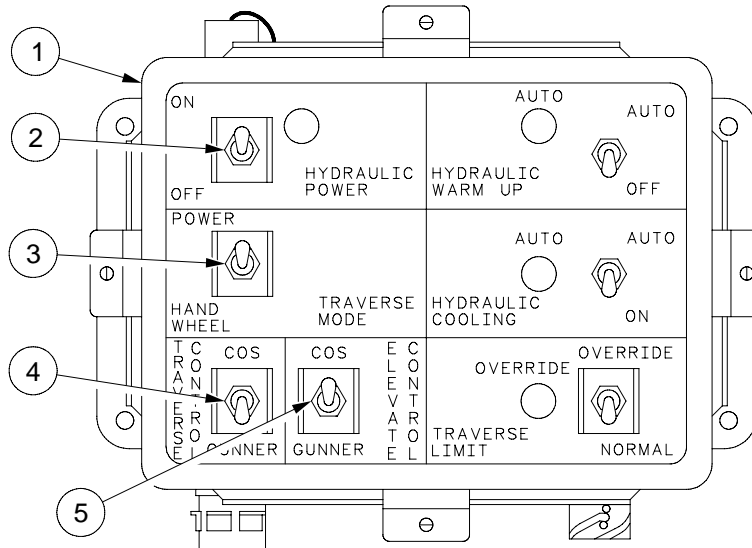
DIRECT FIRE MOVING TARGET LEAD			
TARGET SPEED (MPH)	TARGET DIRECTION OF TRAVEL LEAD IN MILS (m)		
	←→	↖↗	↕
5	5m	5m	0m
10	10m	5m	0m
15	15m	10m	0m
20	20m	15m	0m
25	20m	15m	0m
30	30m	20m	0m

- c. On Display Unit COS sets GUN SERVO switch to OFF.

N-8 AFCS FIRE MISSION - CONTINUED

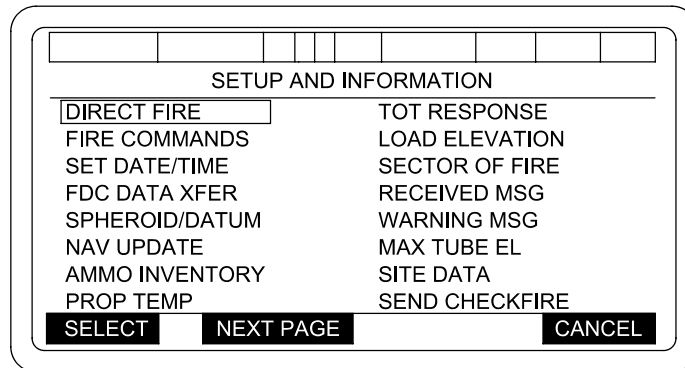
N-8.6 Direct Fire Procedures Using AFCS - Continued

- d. On hydraulic control box (1), turn HYDRAULIC POWER switch (2) to ON, TRAVERSE MODE switch (3) to POWER, TRAVERSE CONTROL switch (4) to GUNNER, and ELEVATE CONTROL switch (5) to COS.



hipc173a

- e. Bring up SETUP AND INFORMATION menu on Display Unit.



06pc260tb

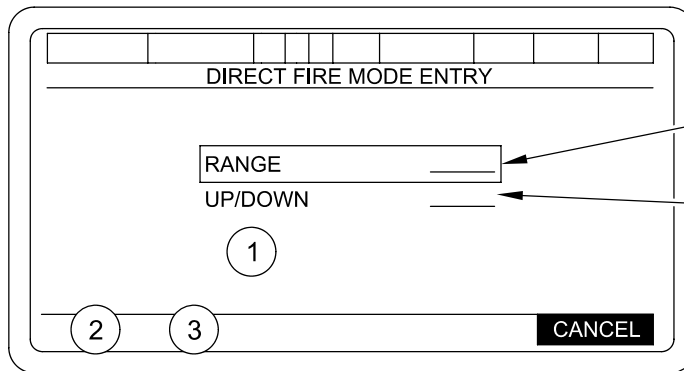
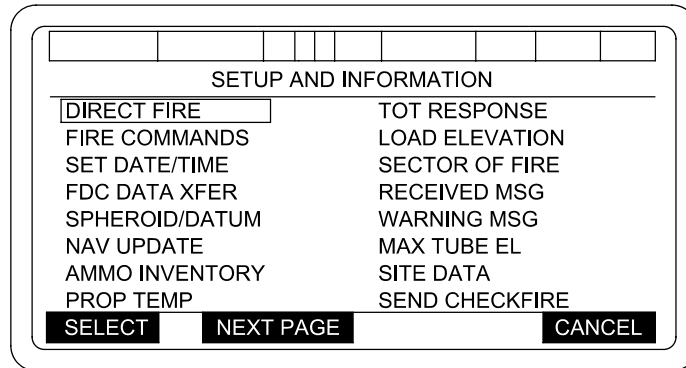
NOTE

The NAV update selection shall be available to the AFCS operator at all times except when a fire mission is active or the navigation subsystem is unavailable.

N-8 AFCS FIRE MISSION - CONTINUED

N-8.6 Direct Fire Procedures Using AFCS - Continued

- f. With cursor (box) at DIRECT FIRE, press softkey located directly beneath SELECT prompt to display a DIRECT FIRE MODE ENTRY menu on DU.



RANGE TO TARGET
10..2500 METERS
DEFAULT = 500

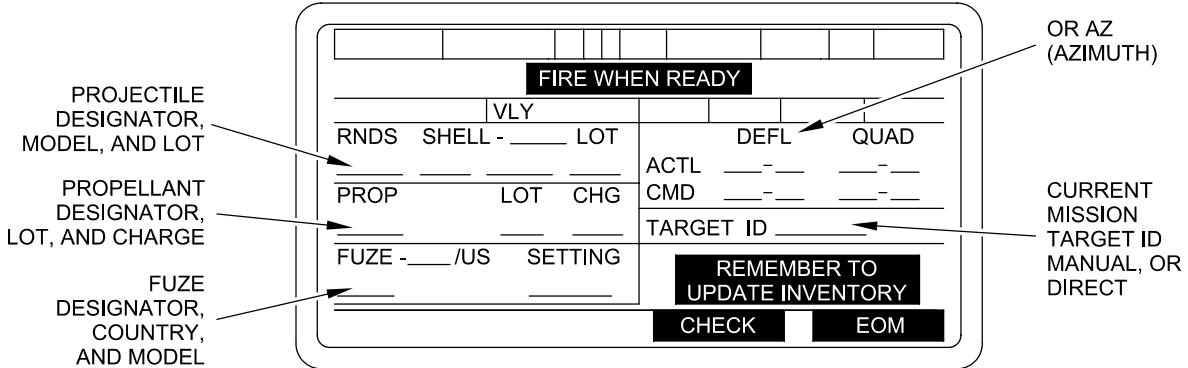
RELATIVE ALTITUDE
OF TARGET
-999.. +999 METERS
DEFAULT = 0

- ① blank - No selection made
"TYPE VALUE 10 TO 2500 METERS" - RANGE Selected.
"-PRESS ENT KEY-"
"TYPE VALUE -999 TO +999" - UP/DOWN Selected.
"-PRESS ENT KEY-"
- ② blank - If RANGE or UP/DOWN Selected
- SELECT** -Awaiting Selection or USE ALL. Selects current menu item.
- ③ blank - If RANGE Selected
- +/-** - UP/DOWN Selected. Change sign of value
- USE ALL** - Awaiting Selection or USE ALL. Initiate direct fire mission.

N-8 AFCS FIRE MISSION - CONTINUED

N-8.6 Direct Fire Procedures Using AFCS - Continued

- g. Press softkey located directly beneath the USE ALL prompt of the DIRECT FIRE MODE ENTRY menu to display a FIRE MISSION menu.



06pc141ta

NOTE

You will only use the ACTL QUAD field of this screen to set tube elevation.

- h. Using the DIRECT FIRE RANGE PLATE, the COS determines elevation based on estimated range. Using COS control handle, COS elevates/depresses gun to proper elevation in the ACTL QUAD field of the FIRE MISSION menu, then announces "SET" continually until howitzer is fired.

DIRECT FIRE RANGE PLATE 155MM HOWITZER			
M549A1 RAP		M107 HE PROJECTILE	
ROCKET OFF		M19A1 PC WB	
M203 SERIES PC RB		M119A2 PC RB	
RANGE METERS	ELEV MILS	RANGE METERS	ELEV MILS
400	3	400	4
600	5	600	7
800	6	800	9
1000	8	1000	11
1200	9	1200	14
1400	11	1400	16
L15 HE PROJECTILE		M107 HE PROJECTILE	
M203 SERIES PC RB		M4A2 PC WB	
RANGE METERS	ELEV MILS	RANGE METERS	ELEV MILS
400		400	6
600		600	10
800		800	13
1000		1000	16
1200		1200	20
1400		1400	23
PLATE DIRECT FIRE		P/N 12910859	

N-8 AFCS FIRE MISSION - CONTINUED

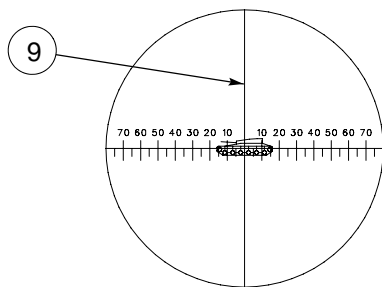
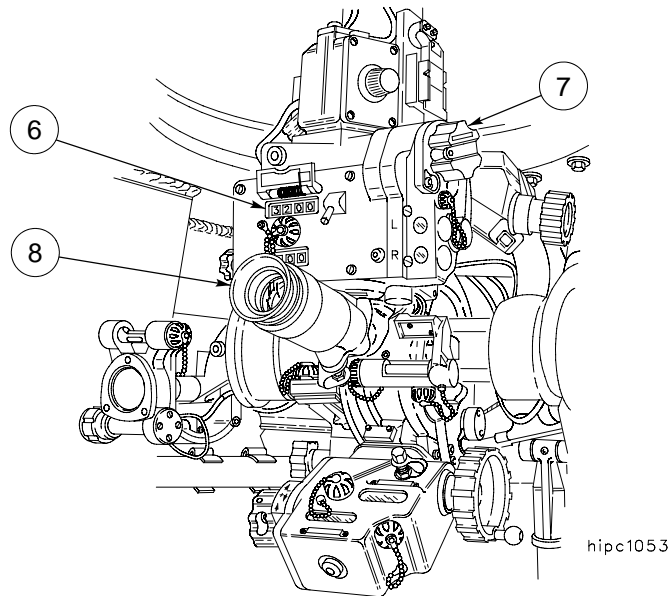
N-8.6 Direct Fire Procedures Using AFCS - Continued

- i. On subsequent rounds, the COS will estimate a new range based on observed effects and repeat step h until target is destroyed or other commands become necessary.
- j. GUNNER sets azimuth counter (6) to 3200, and turns direct/indirect fire bar knob (7) to DIRECT position to engage 5.0 mils per click sight mechanism.

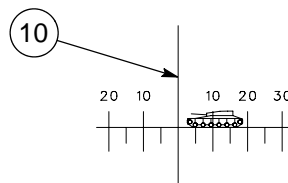
NOTE

The head of the PANTEL must remain oriented with the gun tube. The PANTEL will be oriented with the gun tube if the azimuth counter reads 3200 and the PANTEL is properly boresighted.

- k. If central laying is used, GUNNER applies announced lead to azimuth counter (6). If lead is left, add the lead angle to 3200; if lead is right, subtract the lead angle from 3200. The GUNNER then sights through the eyepiece (8) and traverses tube until vertical hairline (9) of PANTEL centers on the target. If reticle method is used, GUNNER places vertical hairline (10) left or right of target the number of mils lead announced by COS.



CENTRAL LAYING



RETICLE METHOD

hipc1057

N-8 AFCS FIRE MISSION - CONTINUED

N-8.6 Direct Fire Procedures Using AFCS - Continued

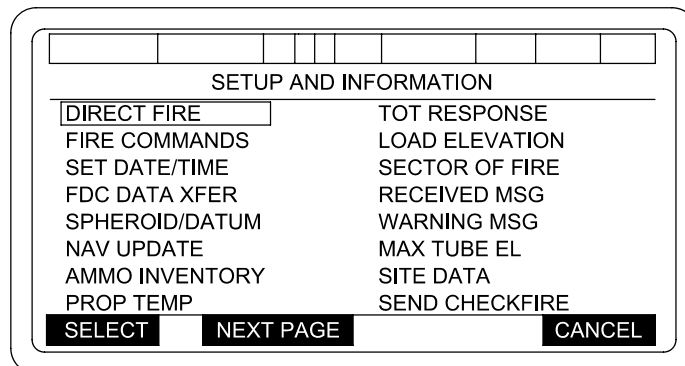
- l. When GUNNER establishes correct sight picture, and COS has announced "SET", GUNNER commands "FIRE".
- m. CANNONEER fires gun.
- n. After firing, GUNNER continues to lay on target until it is destroyed or a subsequent fire command is issued.
- o. COS gives subsequent fire commands based on observed effects and changes lead as necessary.

ELEMENT	EXAMPLE
Change in Lead	Right/left 5

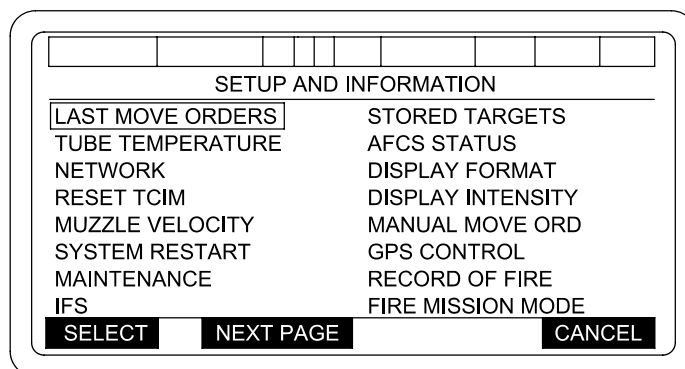
- p. GUNNER turns azimuth deflection knob in 5-mil (1-click) increments to set lead change.

N-8.7 System Menus.

The SETUP AND INFORMATION menu is used to access the various screens to initialize the AFCS and align the Navigation System. It also provides access to menus allowing the operator to enter fire commands and muzzle velocities, access messages, and to monitor AFCS STATUS and tube temperature. The operator can change the display format and intensity, input Manual Move Orders, perform a system update, and access stored targets. The operator can enter a SPHEROID/DATUM; can access the MAINTENANCE MODE MENU; and can update his ammunition inventory. This will complete the capabilities of the system menus.



06pc260tb

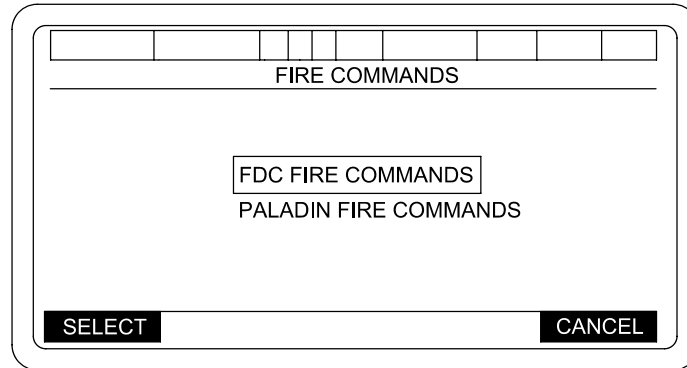


06pc261te

N-8 AFCS FIRE MISSION - CONTINUED

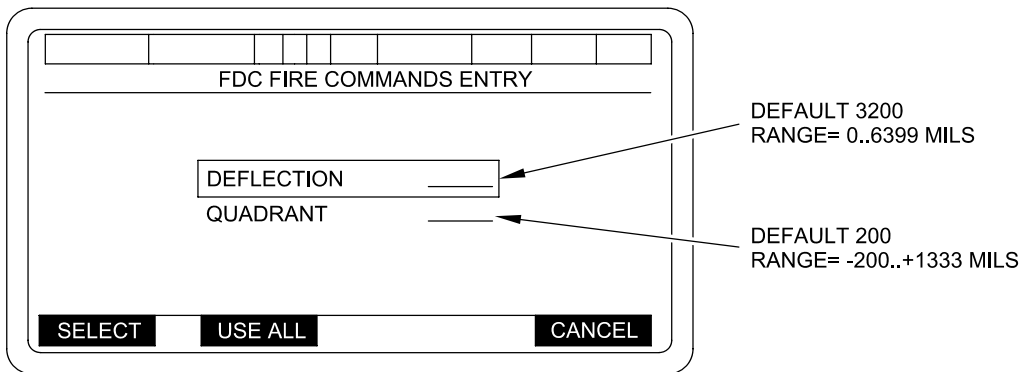
N-8.7 System Menus - Continued

N-8.7.1 Fire Commands. Selection of FIRE COMMANDS from the SETUP AND INFORMATION menu will result in display of the FIRE COMMANDS screen. Two options will be shown, FDC FIRE COMMANDS and PALADIN FIRE COMMANDS.



06pc204tc

N-8.7.1.1 FDC FIRE COMMANDS ENTRY screen.



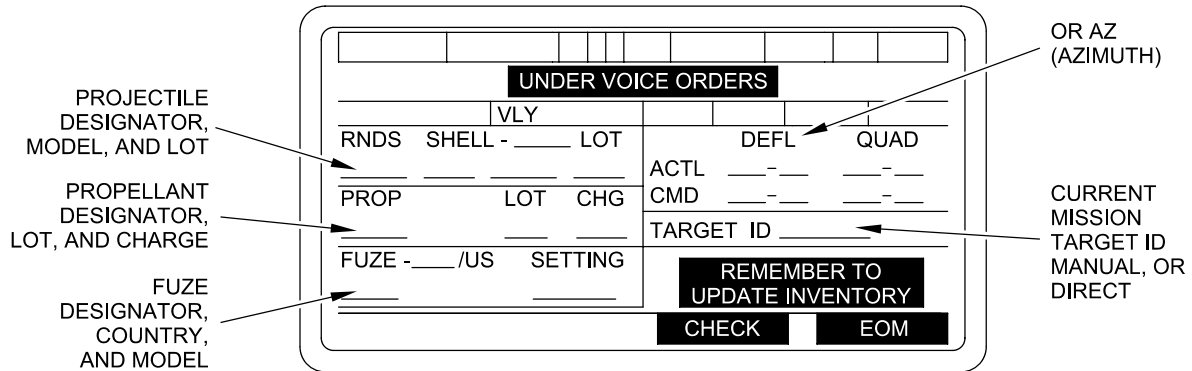
06pc204tb

- With the FDC FIRE COMMANDS ENTRY screen displayed, box in DEFLECTION; press SELECT key; type in deflection; and press ENT key.
- Box in QUADRANT and press SELECT key. Type in quadrant and press ENT key.
- When correct fire command has been entered, press USE ALL key to display a FIRE MISSION screen with firing data in the COMMANDED (CMD) field.

N-8 AFCS FIRE MISSION - CONTINUED

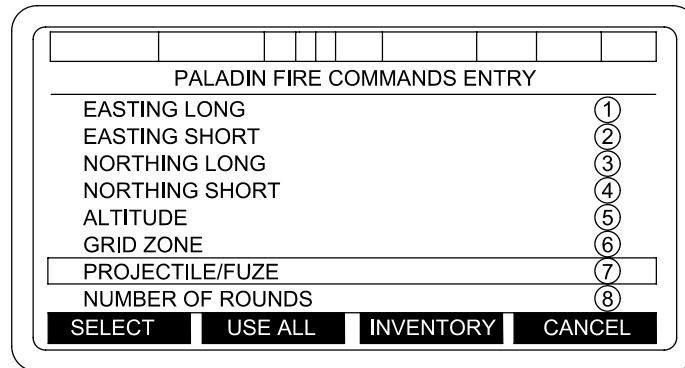
N-8.7 System Menus - Continued

N-8.7.1 Fire Commands - Continued



06pc144ta

- d. The fire mission is fired using normal procedures.
- e. When the voice order to end the mission is received, press the EOM key.
- f. Ammo accountability is then manually processed (para N-8.3).



06pc300tc

N-8.7.1.2 PALADIN FIRE COMMANDS ENTRY display. If selected, the Paladin will check the current ammunition inventory. If at least one Projectile/Fuze combination is present, the Paladin will display the PALADIN FIRE COMMANDS ENTRY screen.

NOTE

If no Projectile/Fuze combinations are found, Paladin will display "NO AMMO PRESENT" "ACK". Pressing ACK will return display to the SETUP AND INFORMATION menu.

N-8 AFCS FIRE MISSION - CONTINUED

N-8.7 System Menus - Continued

N-8.7.1 Fire Commands - Continued

Table N-13. Paladin Fire Commands Entry Display

Field	Description	Conditions for display
1	EASTING LONG Range/Values: (1) 0-9 Default/Initial value: Paladin's entered location Units: Meters	(1) Defaults to the Paladin's current location. (2) Shall be editable.
2	EASTING SHORT Range/Values: (1) 0-99999 (2) - - - - - Default/Initial value: - - - - - Units: Meters	Note: Easting short fields shall be left justified. If the operator enters at least 1 digit and presses enter, the Paladin shall default remaining digits to the right with zeros. (1) Operator entered. (2) - - - - -
3	NORTHING LONG Range/Values: (1) 001-100 Default/Initial value: Paladin's entered location Units: Meters	(1) Defaults to the Paladin's current location. (2) Shall be editable.
4	NORTHING SHORT Range/Values: (1) 0-99999 (2) - - - - - Default/Initial value: Blank Units: Meters	Note: Northing short fields shall be left justified. If the operator enters at least 1 digit and presses enter, the Paladin shall default remaining digits to the right with zeros. (1) Operator entered. (2) - - - - -

N-8 AFCS FIRE MISSION - CONTINUED

N-8.7 System Menus - Continued

N-8.7.1 Fire Commands - Continued

Table N-13. Paladin Fire Commands Entry Display - Continued

Field	Description	Conditions for display
5	<p>ALTITUDE</p> <p>Range/Values:</p> <p>(1) -400 to +9999</p> <p>(2) - - - - -</p> <p>Default/Initial value: Blank</p> <p>Units: Meters</p>	<p>(1) Operator entered.</p> <p>(2) - - - - -</p>
6	<p>GRID ZONE</p> <p>Range/Values:</p> <p>(1) +/- 1-60</p> <p>Default/Initial value: Paladin's entered grid zone</p>	<p>(1) Defaults to the Paladin's current location.</p> <p>(2) Shall be editable.</p>
7	<p>PROJECTILE/ FUZE</p> <p>Range/Values:</p> <p>(1) HE / Q</p> <p>(2) HE / TI</p> <p>(3) HE / VT</p> <p>(4) HE / D</p> <p>(5) HE / CP</p> <p>(6) HE / CPD</p> <p>(7) ICM / TI</p> <p>(8) WP / Q</p> <p>(9) WP / TI</p> <p>(10) SMK / TI</p> <p>(11) ILL / TI</p> <p>(12) - - - - -</p> <p>Default/Initial value: - - - - -</p>	<p>Note: The PROJECTILE / FUZE shall not be available until the target location (EASTING LONG, EASTING SHORT, NORTHING LONG and NORTHING SHORT) is entered and is calculated to be within 50,000 meters.</p> <p>(1) Operator selected.</p> <p>(2) Operator selected.</p> <p>(3) Operator selected.</p> <p>(4) Operator selected.</p> <p>(5) Operator selected.</p> <p>(6) Operator selected.</p> <p>(7) Operator selected.</p> <p>(8) Operator selected.</p> <p>(9) Operator selected.</p> <p>(10) Operator selected.</p> <p>(11) Operator selected.</p> <p>(12) Operator has not selected a PROJECTILE / FUZE.</p>

N-8 AFCS FIRE MISSION - CONTINUED

N-8.7 System Menus - Continued

N-8.7.1 Fire Commands - Continued

Table N-13. Paladin Fire Commands Entry Display - Continued

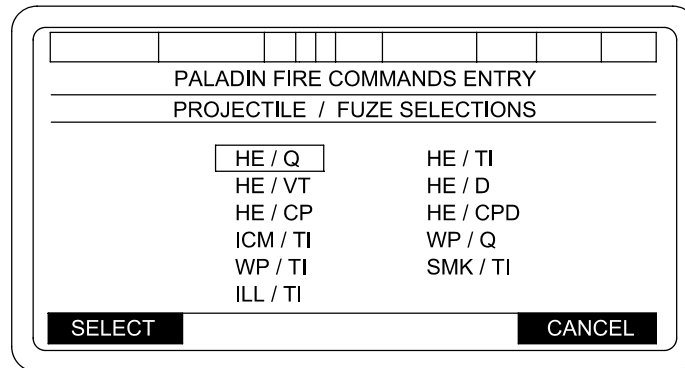
Field	Description	Conditions for display
8	NUMBER OF ROUNDS Range/Values: (1) 1-99 (2) - - Default/Initial value: -----	Note: The NUMBER OF ROUNDS fields shall not be available until the target location (EASTING LONG, EASTING SHORT, NORTHING LONG and NORTHING SHORT) is entered and is calculated to be within 50,000 meters. (1) Operator entered. (2) Operator has not entered NUMBER OF ROUNDS.

N-8 AFCS FIRE MISSION - CONTINUED

N-8.7 System Menus - Continued

N-8.7.1 Fire Commands - Continued

- a. After target location (fields 1-6) has been entered, Paladin will calculate the range to target. If the calculated range to target exceeds 50,000 meters, Paladin will display "RANGE TOO FAR" "ACK".
- b. Pressing ACK will allow operator to re-enter values into fields 1-6 of the PALADIN FIRE COMMANDS ENTRY display. Once the Paladin calculates the range to be within 50,000 meters, fields 7-8 will be available.
- c. Selection of field 7 (Projectile/Fuze) will display the PALADIN FIRE COMMANDS ENTRY - PROJECTILE/FUZE SELECTIONS screen.



06pc300tg

- d. The PALADIN FIRE COMMANDS ENTRY - PROJECTILE/FUZE SELECTIONS display will be populated with Projectile/Fuze combinations values that are available. Selection of a Projectile/Fuze will transition display back to PALADIN FIRE COMMANDS ENTRY screen.

NOTE

A target number block will be assigned by the Paladin. These target numbers will from PF9974 to PF9999. The target numbers will recycle when PF9999 is reached or there is a system restart.

Softkey sequencing shall be as follows:

- USE ALL - Paladin will transition to FIRE MISSION display. If dashed (----) fields remain in the display, the following message will display "INCOMPLETE ENTRY" "ACK". Pressing ACK will end the mission and allow the operator to edit the mission data.

If an error is detected (an error is a condition that causes to fire mission to be rejected), the Paladin shall abort the mission and return to the PALADIN FIRE COMMANDS ENTRY screen after 5 seconds. Upon return to the PALADIN FIRE COMMANDS ENTRY screen, the Paladin will display an appropriate operator message to indicate what caused the fire mission to abort.

- INVENTORY - Transitions to the AMMO INVENTORY display.
- + / - - Changes sign for current value.
- CANCEL - Transitions to SETUP AND INFORMATION menu.

N-8 AFCS FIRE MISSION - CONTINUED

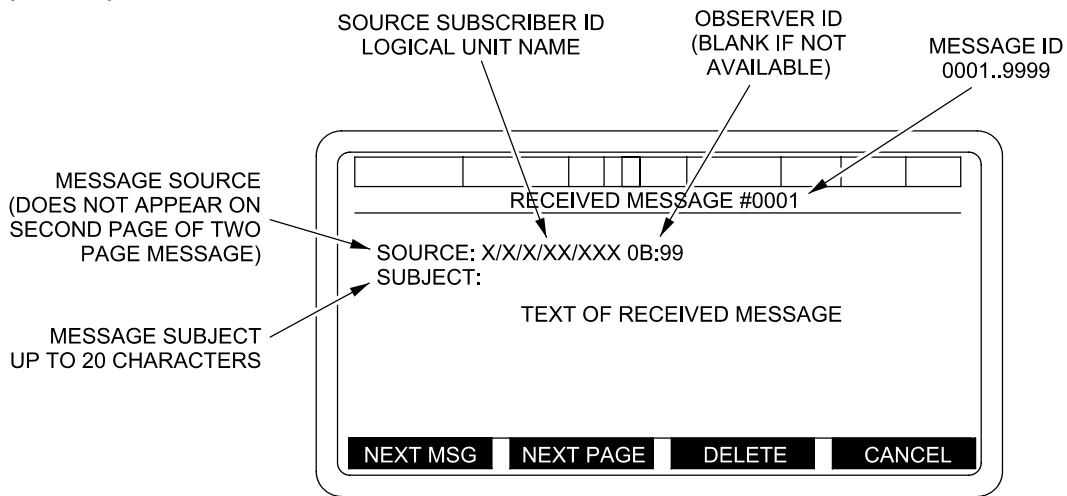
N-8.7 System Menus - Continued

N-8.7.2 Messages. The two types of AFCS messages accessed from the SETUP AND INFORMATION menu are RECEIVED MSG and WARNING MSG. The received messages are ones received from the POC and the warning messages are generated by the AFCS for system status. When there is a new message to read, a RCVD MSG (R) highlighted field 5 or WARN MSG (W) highlighted field 4 indicator will be displayed at the top of the screen. Access messages using the following procedures:

- a. Box in desired message on SETUP AND INFORMATION menu and press SELECT key to display a RECEIVED MESSAGE/SYSTEM WARNING MESSAGE.
- b. If more than one message is in the message queue, display next message by pressing the NEXT MSG key. If a message contains more than one page, display next page by pressing NEXT PAGE key.
- c. To return to the SETUP AND INFORMATION menu, press CANCEL key.

NOTE

- The AFCS will keep eight (8) messages in a buffer. If there are more than eight unviewed messages, the AFCS will discard the oldest and display the error message "MESSAGES HAVE BEEN LOST" "ACK" to the operator upon entry into the screen.
- The RECEIVED MESSAGE counter has a range from 0001 to 9999 and will rest on each power-up.



- NEXT MSG** = DISPLAY NEXT MESSAGE (WHEN ON THE LAST MESSAGE AND NEXT MSG IS PRESSED, THE DISPLAY SCROLLS TO THE FIRST MESSAGE IN THE BUFFER)
- NEXT PAGE** = DISPLAY NEXT PAGE (BLANKED IF NO NEXT PAGE)
- DELETE** = DELETE CURRENT MESSAGE (IF THERE ARE NO MORE MESSAGES, THEN "NO MORE MESSAGES" SHALL BE DISPLAYED)

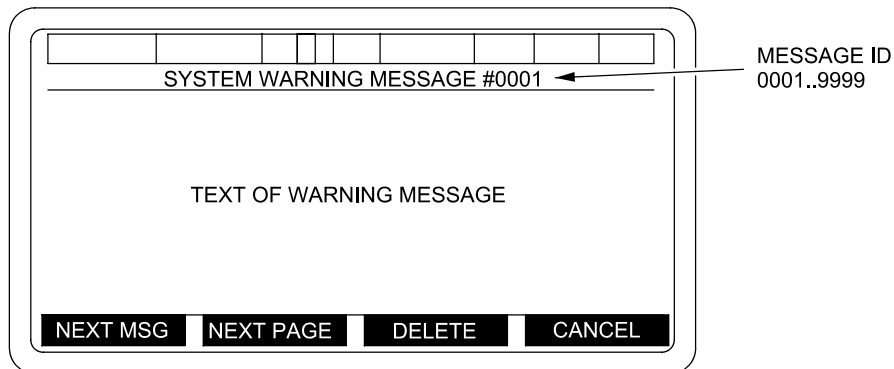
N-8 AFCS FIRE MISSION - CONTINUED

N-8.7 System Menus - Continued

N-8.7.2 Messages - Continued

NOTE

The SYSTEM WARNING MESSAGE counter has a range from 0001 to 9999 and will reset on each power-up. If the counter reaches 9999, then the next WARNING MESSAGE number will be reset to 0001.



06pc189ma

NEXT MSG

= DISPLAY NEXT MESSAGE (WHEN ON THE LAST MESSAGE AND NEXT MSG IS PRESSED, THE DISPLAY SCROLLS TO THE FIRST MESSAGE IN THE BUFFER)

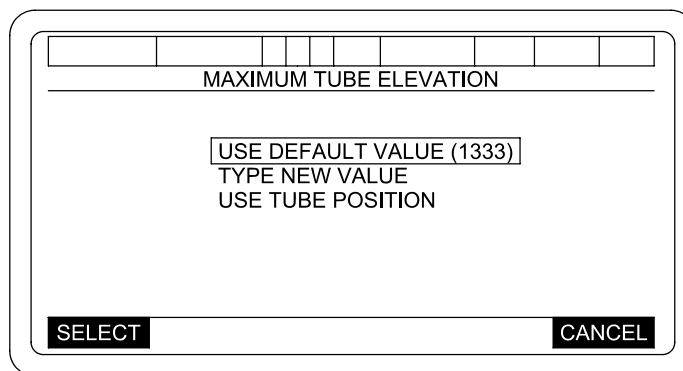
NEXT PAGE

= DISPLAY NEXT PAGE (BLANKED IF NO NEXT PAGE)

DELETE

= DELETE CURRENT MESSAGE (IF THERE ARE NO MORE MESSAGES, THEN "NO MORE MESSAGES" SHALL BE DISPLAYED)

N-8.7.3 Maximum Tube Elevation. From the SET UP AND INFORMATION menu select MAX TUBE EL to input the maximum tube elevation.



06pc154ma

- a. Entering MAXIMUM TUBE ELEVATION. If a maximum tube elevation is not entered, the default value as shown on the display will be entered automatically. If an elevation other than the default value is desired, the entry can be made by either of two methods:

N-8 AFCS FIRE MISSION - CONTINUED

N-8.7 System Menus - Continued

N-8.7.3 Maximum Tube Elevation - Continued

NOTE

- Numerical value must be entered before sign. Default sign is (+).
 - The AFCS will default to maximum tube elevation of 1333 mils unless a value or the USE TUBE POSITION was selected since last power up or restart.
- (1) Box in TYPE NEW VALUE and depress SELECT to bring up a new MAXIMUM TUBE ELEVATION display. Enter required value for MAX TUBE EL and press ENT key.

A screenshot of a terminal display showing the 'MAXIMUM TUBE ELEVATION' menu. At the top is a status bar with several empty boxes. Below it, the text reads: 'MAXIMUM TUBE ELEVATION', 'USE DEFAULT VALUE (1333)', 'TYPE NEW VALUE' (highlighted with a black box), 'USE TUBE POSITION', 'TYPE MAXIMUM TUBE ELEVATION IN MILS BETWEEN -200 AND 1333:', and a small box containing '---'. At the bottom, it says '-PRESS ENT KEY-' and has two buttons: '+/-' and 'CANCEL'.

06pc655m

- (2) Box in USE TUBE POSITION and press SELECT key to bring up a new MAXIMUM TUBE ELEVATION display. Using the COS or gunner's control handle, move tube to desired elevation and press ENT key.

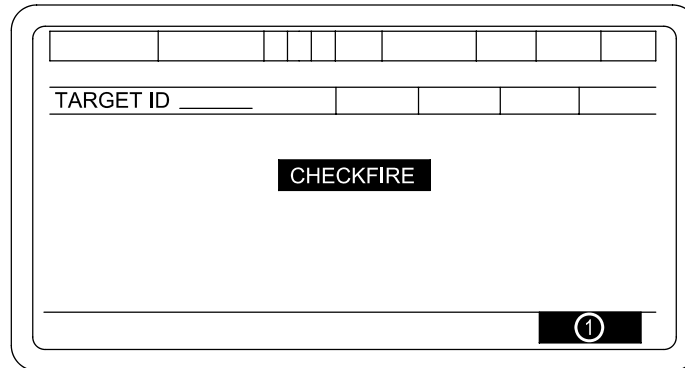
A screenshot of a terminal display showing the 'MAXIMUM TUBE ELEVATION' menu. At the top is a status bar with several empty boxes. Below it, the text reads: 'MAXIMUM TUBE ELEVATION', 'USE DEFAULT VALUE (1333)', 'TYPE NEW VALUE', 'USE TUBE POSITION' (highlighted with a black box), 'MOVE TUBE TO MAXIMUM ELEVATION POSITION', and '--- PRESS ENT KEY ---'. At the bottom right, there is a 'CANCEL' button.

06pc156ma

N-8 AFCS FIRE MISSION - CONTINUED

N-8.7 System Menus - Continued

N-8.7.4 Send Checkfire. Selecting SEND CHECKFIRE will result in questions asked, "ARE YOU SURE" "YES" "NO". YES selection will cause all howitzer systems to be placed on CHECKFIRE. Only the POC/FDC can cancel the CHECKFIRE. NO selection = No action.



06pc145tb

- ① **EOM** - MISSION is direct or manual
- ABORT** - MISSION is not direct or manual

N-8.7.5 Stored Targets. The AFCS can store up to ten targets. These targets can be reviewed for information concerning target number, rounds to be fired, shell, propellant, fuze, and method of control. To access the target summary, perform the following steps:

- a. Box in STORED TARGETS on SETUP AND INFORMATION menu and press SELECT key to display a STORED TARGET SUMMARY screen.
- b. If there is more than one page, press NEXT PAGE key to display next page.
- c. To return to SETUP AND INFORMATION menu, press CANCEL key.

TARGET	RND	SHELL	PROP	FUZE	CONTROL
AA0001 AA0340	6	HE ICM		TI	FPF 12:1430
AA0245	3				12:1545
AA0045	2 2	WP HEA A	M232	TI PDAD/US	WR

Annotations:

- FPF ALWAYS FIRST ENTRY (IF AVAILABLE)
- TOT MISSIONS NEXT SORTED BY TOT TIME
- FIELDS BLANK WHEN TGT AMMO IS UNSPECIFIED
- SECOND VOLLEY
- OTHER MISSIONS SORTED BY TARGET ID

06pc145tc

NEXT PAGE = Shows next page. If last page, then shows first page. (Blanked if only one page or no targets).

- d. Paladin will store the shell and/or fuze model as received and display that data based on its associated generic type. SHELL values are HE, ICM, WP, SMK, ILL, CPH and SAD. FUZE values are PD, TI, VT, D, CP or CPD. Shell model numbers are shown in Table N-14. Fuze model numbers are shown in Table N-15.

N-8 AFCS FIRE MISSION - CONTINUED

N-8.7 System Menus - Continued

N-8.7.5 Stored Targets - Continued

Table N-14. Shell Model Numbers

HE SHELLS	ICM SHELLS	WP SHELLS	SMK SHELLS	ILL SHELLS	CPH SHELL	SAD SHELL
M795	M483A1	M110	M116A1/HC	M485A1	M712	M898
M107DC	M864	M110A1	M116C1	M485A2		DM702
M107DCBG	M864A1	M110A2	M116C2	NR109		DM702A1
M107DCB2	M449A1	M110E2	DM45A1			O155ACF1
M107DCC1	M718	M110C1				155BONUS
NM28DC	M718A1	M825				
OE56DC	M741	M825A1				
OE69DC	M741A1					
DM21DC	M692					
M107NC	M731					
M107NCBG						
M107NCB2						
M107NCC1						
NM28NC						
OE56NC						
OE69NC						
DM21NC						
M549						
M549A1						

N-8 AFCS FIRE MISSION - CONTINUED**N-8.7 System Menus - Continued**N-8.7.5 Stored Targets - Continued**Table N-15. Fuze Model Numbers**

PD FUZES	TI FUZE	VT FUZE	D FUZE	CP/CPD FUZE
M51A4	M767	M732A2	M51A4	M78
M51A5	M767A1	M732	M51A5	M78A1
M557	M762	M728	M557	DM371
PDM557	M762A1	M782	PDM557	MK399
M557C1	M564	M514	M557C1	
M572	M577		M739	
M739	M577A1		M739A1	
M739A1	M565		M782	
M782	M582		DM211	
DM211	M582A1		DM241	
DM241	M782		M572	
L32A2	M548		L85A2	
L32A3			L106A2	
L32A4			L106A3	
L85A2			L112A1	
L106A1				
L106A2				
L106A3				
L112A1				

NOTE

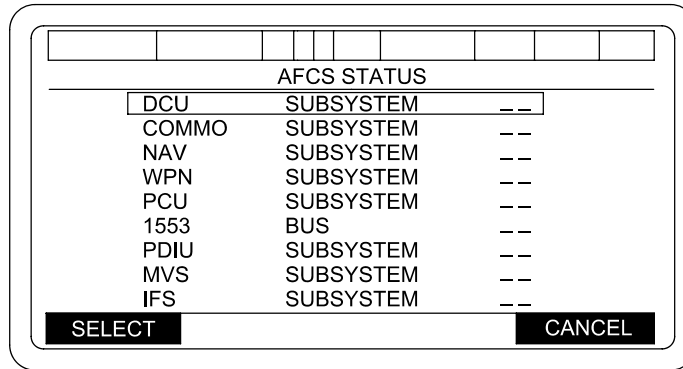
- If no targets are stored in the Stored Target buffer, then the AFCS shall display “NO STORED TARGETS”.
- Shell and fuze entries will be blank if the stored mission arrives from the FDC with unspecified ammunition and is not an FPF mission (as shown above in target ID AA0245).
- Targets with RND (rounds) over 99 are displayed with **.

N-8.7.6 AFCS Status. To display the AFCS SUBSYSTEM STATUS, proceed as follows:

- Box in AFCS STATUS on SETUP AND INFORMATION menu and press SELECT to display the AFCS STATUS screen.
- Cursor and select an AFCS subsystem to view the subsystems. The status of each subsystem will be displayed either “OK” or “FAIL”.
- To return to the SETUP AND INFORMATION menu, press CANCEL key.

N-8 AFCS FIRE MISSION - CONTINUED

N-8.7 System Menus - Continued



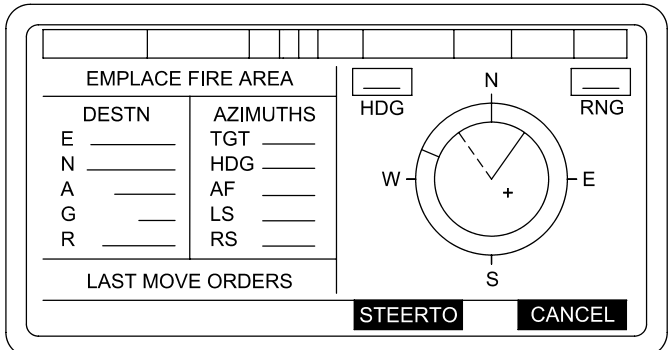
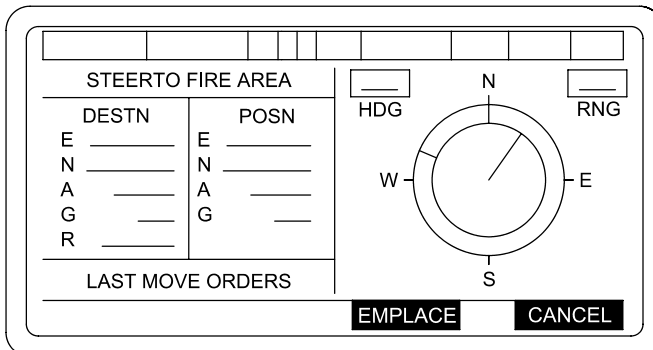
06pc075me

N-8.7.7 Last Move Orders. To display the last move orders received by the AFCS, proceed as follows:

- Box in LAST MOVE ORDERS on SETUP AND INFORMATION menu and press SELECT key. A STEERTO FIRE AREA screen will be displayed showing LAST MOVE ORDERS.
- Press the EMPLACE key to display an EMPLACE FIRE AREA screen showing LAST MOVE ORDERS.
- From STEERTO FIRE AREA or EMPLACE FIRE AREA screen, the SETUP AND INFORMATION menu can be reached by pressing the CANCEL key.

NOTE

This will not be available after the first Survivability Move.



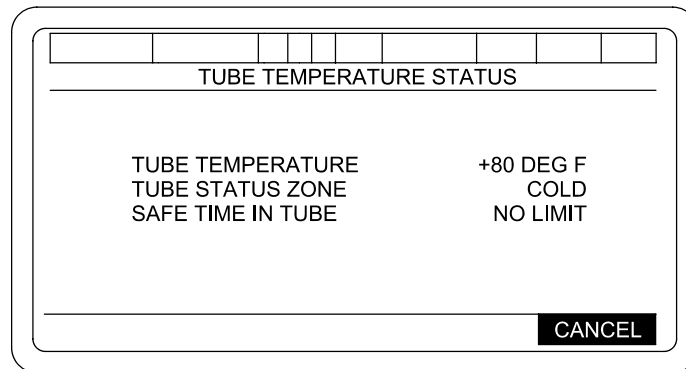
06pc192mb

N-8 AFCS FIRE MISSION - CONTINUED

N-8.7 System Menus - Continued

N-8.7.8 Tube Temperature. The TUBE TEMPERATURE STATUS is shown on the FIRE MISSION screen as COLD, WARM, or HOT; and a time is displayed which indicates how long a complete round may remain in the tube. TUBE TEMPERATURE STATUS can also be displayed as follows:

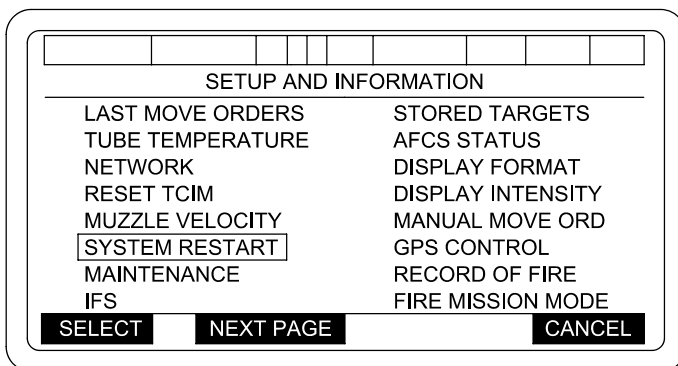
- Box in TUBE TEMPERATURE on SETUP AND INFORMATION menu and press SELECT key.
- A TUBE TEMPERATURE screen will be displayed showing TEMPERATURE STATUS (COLD, WARM, HOT), and SAFE TIME IN TUBE.
- To return to SETUP AND INFORMATION menu, press CANCEL key.



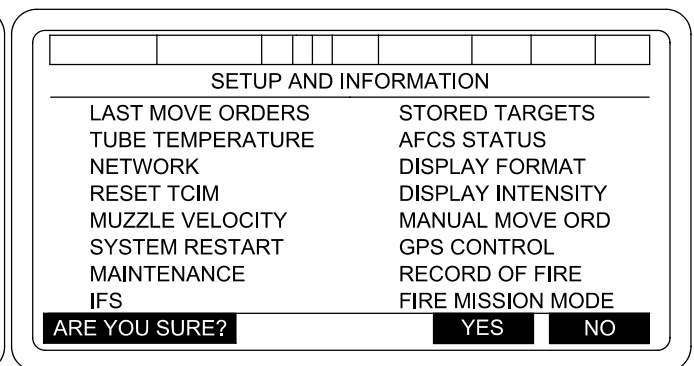
06pc193ma

N-8.7.9 System Restart. To do a SYSTEM RESTART without shutting the system off and powering back up, proceed as follows:

- Box in SYSTEM RESTART on SETUP AND INFORMATION menu and press SELECT key. A prompt will be displayed, "ARE YOU SURE" "YES" "NO".
- The system will restart at a POWER UP STATUS.
- INITIALIZATION must be performed.



06pc261tk



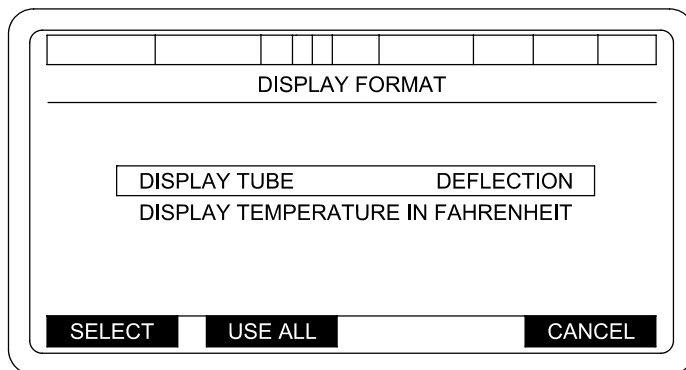
06pc261tm

N-8 AFCS FIRE MISSION - CONTINUED

N-8.7 System Menus - Continued

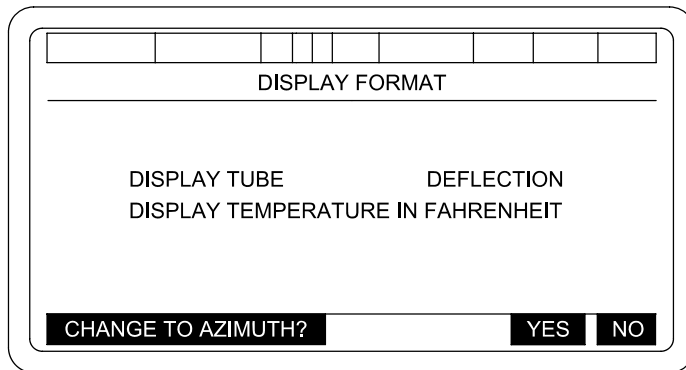
N-8.7.10 Display Format. This function is used to change the display of the tube position from AZIMUTH to DEFLECTION, and vice versa; or the TEMPERATURE STATUS display from Fahrenheit to Celsius, and vice versa. This display format is changed as follows:

- a. Box in DISPLAY FORMAT on SETUP AND INFORMATION menu and press SELECT key to display a DISPLAY FORMAT screen.



06pc196ma

- b. To change deflection, box in DISPLAY TUBE DEFLECTION and press SELECT to display another DISPLAY FORMAT screen.
- c. This screen asks the question: "CHANGE TO AZIMUTH/DEFLECTION?" Press the appropriate softkey, YES or NO. This will return the display to the original DISPLAY FORMAT screen.



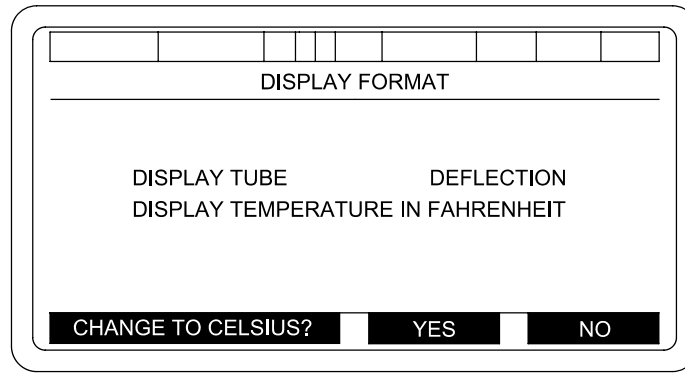
06pc197ma

N-8 AFCS FIRE MISSION - CONTINUED

N-8.7 System Menus - Continued

N-8.7.10 Display Format - Continued

- d. To change the temperature display, box in DISPLAY TEMPERATURE IN FAHRENHEIT and press SELECT key to display another DISPLAY FORMAT screen.

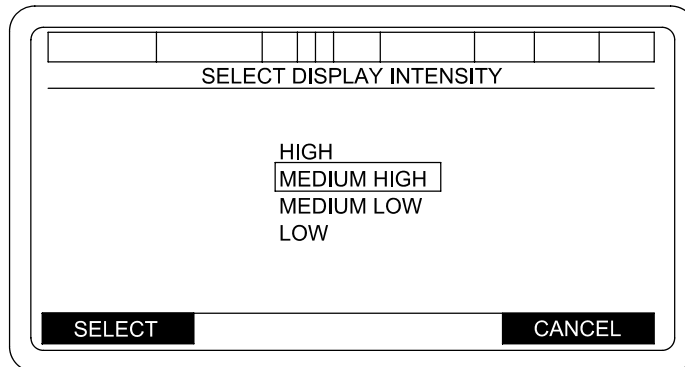


06pc198m

- e. Answer screen question CHANGE TO CELSIUS/FAHRENHEIT? by pressing appropriate softkey.
- f. When original DISPLAY FORMAT screen is displayed, press USE ALL key to return to SETUP AND INFORMATION menu.

N-8.7.11 Display Intensity. The display intensity of the EL Panel can be changed to four different intensity levels as follows:

- a. Box in DISPLAY INTENSITY on SETUP AND INFORMATION menu and press SELECT key to display a SELECT DISPLAY INTENSITY screen.
- b. On the SELECT DISPLAY INTENSITY screen, box in desired intensity and press SELECT key. Display will change to the selection made.



06pc199ma

N-8 AFCS FIRE MISSION - CONTINUED

N-8.7 System Menus - Continued

N-8.7.12 Manual Move Order. When it is necessary to move the howitzer without a move order from the POC enter the movement data as follows:

- a. Box in MANUAL MOVE ORDER on SETUP AND INFORMATION menu and depress SELECT key to display a MANUAL MOVE ORDER ENTRY screen.
- b. Enter data by boxing in each data field and then typing in desired data. As each field is filled, press ENT key to enter data.
- c. When all data has been entered, press USE ALL key. This will cause the SETUP AND INFORMATION screen to be displayed with MOVE ORD at the top. Press CANCEL key to display the MOVE ORDER screen (STEERTO or EMLACE).

06pc262t

NOTE

- If the Move Order coordinates are outside the MapMod, no AFCS warning message will be issued. All Move Order coordinates should be checked with a map spot, or through some other secondary means to insure they are within the current MapMod.
- If the Move Order coordinates are in an adjacent Grid Zone, the AFCS will automatically convert these coordinates to the MapMod Grid Zone. Once the STEER TO screen is displayed, the entered coordinates will be converted to the MapMod Grid Zone. If a map spot is performed, the MapMod Grid Zone will need to be extended into the adjacent Grid Zone.
- If Destination Type is to a FIRING POINT, Operator must input SECTOR OF FIRE prior to inputting a Manual Move Order.

N-8 AFCS FIRE MISSION - CONTINUED

N-8.7 System Menus - Continued

N-8.7.12 Manual Move Order - Continued

NOTE - Continued

- Destination Types are: LOG POINT (for resupply), INIT POINT (for survey control point) and FIRE POINT.
- If DO NOT MOVE was on the screen before you start this move, the AFCS will notify FDC that the howitzer is moving.
- RANGE shows the distance to the entered point from the current location based on easting and northing. It is not operator selectable. Move order distance will only be displayed up to 99,999 meters. If the value is 100,000 to 350,000 meters, "*****" will be displayed. If the value is more than 350,000 meters, you will receive an error message, "DISTANCE EXCEEDS 350 KM" "ACK".
- If the position entered is above 84 degrees north or below 80 degrees south, the entry will be rejected and you will receive an error message, "POSITION IS NOT VALID" "ACK".

N-8.7.13 GPS Control. Used to enhance positioning. The POC will instruct you when to use GPS Control.

NOTE

Use according to unit SOP.

- Select either USE GPS AIDING or USE ONLY CODED GPS DATA.
- You will receive the following operator prompts.

The screenshot shows a rectangular menu box with a title bar at the top containing several small icons. Below the title bar, the text 'GPS CONTROL' is centered. A horizontal line separates the title from the main content. There are two lines of text, each with a softkey to its right: 'USE GPS AIDING' followed by 'YES', and 'USE ONLY CODED GPS DATA' followed by 'YES'. At the bottom of the menu, there are three buttons: 'SELECT', 'USE ALL', and 'CANCEL'.

OPERATOR PROMPTS (ON SOFTKEY LINE): 06pc201ma

1. WHEN GPS AIDING SELECTED:

USE GPS AIDING ? YES NO

2. WHEN USE ONLY CODED GPS DATA SELECTED:

USE ONLY CODED GPS? YES NO

NOTE: VALUES SHOWN ARE SYSTEM SUPPLIED DEFAULTS.

N-8 AFCS FIRE MISSION - CONTINUED

N-8.7 System Menus - Continued

N-8.7.14 Record of Fire.

NOTE

- See Table N-16 for fields ① through ⑤ criteria.
- When more than one page is required to display choices, MORE BELOW and/or MORE ABOVE may be used to navigate between screens.

RECORD OF FIRE				
FM	DTG RCVD	TGT	LOC	
①	②	③ /	④ /	⑤
MORE BELOW		SELECT	CANCEL	

06pc191tg

NOTE

If there are no targets in the Record of Fire, the SELECT softkey will not be available.

SELECT : View firing data from a particular mission.

CANCEL : Returns to SETUP AND INFORMATION menu.

Mission data displayed in order from latest received to earliest.

The following default criteria for FDC computed fire missions shall appear in the RECORD OF FIRE displays:

MET (CURRENT NVM)
 POWDER TEMPERATURE (CURRENT NVM)
 MVV (-99.9)
 REGISTRATION DATA (NO DATA IS DISPLAYED)
 TARGET LOCATION AND ELEVATION (ZEROS)

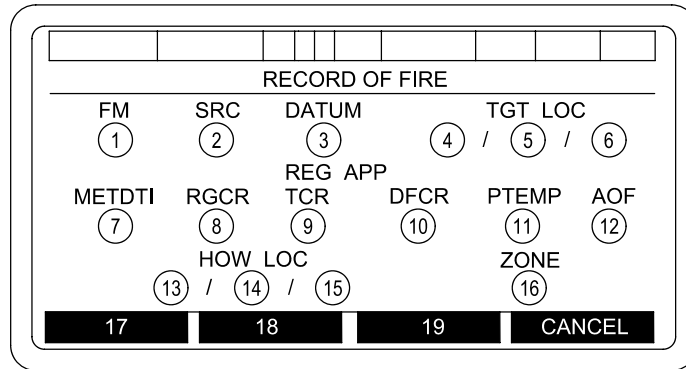
N-8 AFCS FIRE MISSION - CONTINUED**N-8.7 System Menus - Continued**N-8.7.14 Record of Fire - Continued**Table N-16. Record of Fire Select Target Display**

Field	Description	Conditions for display
1	FM Range/Values: (1) MANUAL (2) DIRECT (3) AA0000- ZZ9999 (4) Blank	(1) Indicates that an FDC Fire Commands mission was fired from the Paladin. (2) Indicates that the Paladin has fired a mission in Direct Fire mode. (3) Range values for target number received from the system initiating the Fire Mission, or Fire Commands initiated by the operator. (4) Indicates that there are no fire missions in the Record of Fire.
2	DTG Range/Values: (1) YYMMDDHH MM (2) Blank	(1) The DTG Fire Mission was received. (2) There are no fire missions in the record of fire.
3	Target Location Easting Range/Values: (1) 000000- 999999 (2) Blank	(1) Easting of the target location. (2) Indicates that the Paladin has fired an FDC FIRE COMMANDS Fire Mission or there are no fire missions in the Record of Fire.
4	Target Location Northing Range/Values: (1) 0-9999999 (2) Blank	(1) Northing of the target location. (2) Indicates that the Paladin has fired an FDC FIRE COMMANDS Fire Mission or there are no fire missions in the Record of Fire.
5	Target Location Altitude Range/Values: (1) -400 to +9999 (2) Blank	(1) Altitude of the target location. (2) Indicates that the Paladin has fired an FDC FIRE COMMANDS Fire Mission or there are no fire missions in the Record of Fire.

N-8 AFCS FIRE MISSION - CONTINUED

N-8.7 System Menus - Continued

N-8.7.14 Record of Fire - Continued



06pc191th

Table N-17. Record of Fire Display

Field	Description	Conditions for display
1	FM Range/Values: (1) MANUAL (2) DIRECT (3) AA0000-ZZ9999 Resolution: NA Default/Initial: NA Units: NA	(1) FDC FIRE COMMANDS computed mission was fired from the Paladin. (2) Paladin has fired a mission in Direct Fire mode. (3) Range values for target number received from FDC/Additional subscriber initiating the Fire Mission, or Paladin Fire Commands initiated by the operator.
2	SRC (source of mission) Range/Values: (1) FDC (2) OPR (3) OTH Resolution: NA Default/Initial: NA Units: NA	(1) Fire Mission was sent digitally from the FDC. (2) Fire Mission is a FDC FIRE COMMANDS, DIRECT, or PALADIN FIRE COMMANDS Fire Mission. (3) Fire Mission is received from an additional subscriber to the Paladin (i.e. not the FDC or backup FDC).

N-8 AFCS FIRE MISSION - CONTINUED

N-8.7 System Menus - Continued

N-8.7.14 Record of Fire - Continued

Table N-17. Record of Fire Display - Continued

Field	Description	Conditions for display
3	DATUM Range/Values: (1) See appendix J.1-1 Spheroid and Datum table (not selectable by the operator on this display). Resolution: NA Default/Initial: NA Units: NA	(1) Paladin will display the DATUM.
4	Target Location Easting Range/Values: (1) 000000-999999 (2) Blank Resolution: NA Default/Initial: Blank Units: NA	(1) Easting of the target location. (2) Indicates that the Paladin has fired an FDC FIRE COMMANDS Fire mission.
5	Target Location Northing Range/Values: (1) 0-9999999 (2) Blank Resolution: NA Default/Initial: Blank Units: NA	(1) Northing of the target location. (2) Indicates that the Paladin has fired an FDC FIRE COMMANDS Fire Mission.

N-8 AFCS FIRE MISSION - CONTINUED

N-8.7 System Menus - Continued

N-8.7.14 Record of Fire - Continued

Table N-17. Record of Fire Display - Continued

Field	Description	Conditions for display
6	Target Location Altitude Range/Values: (1) -400 through +9,999 (2) Blank Resolution: NA Default/Initial: Blank Units: NA	(1) Altitude of the target location. (2) Indicates that the Paladin has fired an FDC FIRE COMMANDS Fire Mission.
7	METDTI (Metrological Correction) Range/Values (1) DDHH.M (where DD represents Day where HH represents Hour and M represents tenths of minutes). (2) 1 0.0 Resolution: NA Default/Initial: NA Units: NA	(1) Date Time Group of the MET message that was applied to the Fire Mission. (2) No MET message was received.
8	RGCR (Range Correction) Range/Values: (1) -4095 to 4095 (2) 0 Resolution: NA Default/Initial: 0 Units: Meters	(1) A registration range correction was applied by the Paladin to the Fire Mission. (2) There was no range correction applied by the Paladin or the mission is an FDC computed Fire Mission or FDC FIRE COMMANDS Fire Mission.

N-8 AFCS FIRE MISSION - CONTINUED

N-8.7 System Menus - Continued

N-8.7.14 Record of Fire - Continued

Table N-17. Record of Fire Display - Continued

Field	Description	Conditions for display
9	TCR (Time Correction) Range/Values (1) -9.9 to 9.9 (2) 0.00 Resolution: NA Default/Initial: 0.00 Units: Seconds	(1) A registration time correction was applied by the Paladin to the Fire Mission. (2) There was no time correction applied by the Paladin or the mission is an FDC computed Fire Mission or an FDC FIRE COMMANDS Fire Mission.
10	DFCR (Deflection Correction) Range/Values (1) L 999 to R 999 (2) 0.00 Resolution: NA Default/Initial: 0.00 Units: Mils	(1) A registration deflection correction was applied by the Paladin to the Fire Mission. (2) There was no time correction applied by the Paladin or the mission is an FDC computed Fire Mission or an FDC FIRE COMMANDS Fire Mission.
11	PTEMP Range/Values (1) -40 to 145 F Resolution: NA Default/Initial: 70 Units: Degrees	(1) Propellant Temperature at the time the Fire Mission was processed.
12	AOF Range/Values (1) 0-6399 Resolution: NA Default/Initial: NA Units: Mils	(1) Azimuth of Fire at the time the mission was fired.
13	Howitzer Location Easting Range/Values: (1) 1 to 999999 Resolution: NA Default/Initial: Blank Units: NA	(1) Easting location of the Paladin during the Fire Mission.

N-8 AFCS FIRE MISSION - CONTINUED

N-8.7 System Menus - Continued

N-8.7.14 Record of Fire - Continued

Table N-17. Record of Fire Display - Continued

Field	Description	Conditions for display
14	Howitzer Location Northing Range/Values: (1) 0 to 9999999 Resolution: NA Default/Initial: Blank Units: NA	(1) Northing location of the Paladin during the Fire Mission.
15	Howitzer Location Altitude Range/Values: (1) -400 to +9,999 Resolution: NA Default/Initial: Blank Units: NA	(1) Altitude of the Paladin during the Fire Mission.
16	Zone Range/Values (1) 1 to 60 (2) -1 to -60 Resolution: NA Default/Initial: Blank Units: NA	(1) Grid zone that the Paladin was located in during the Fire Mission (Northern Hemisphere). (2) Grid zone that the Paladin was located in during the Fire Mission (Southern Hemisphere).
17	ADJ Range/Values (1) ADJ (2) Blank Resolution: NA Default/Initial: Blank Units: NA	(1) There is an adjust phase for the mission or when the mission ended before the Fire For Effect phase began. (2) No adjust phase for the mission.

N-8 AFCS FIRE MISSION - CONTINUED

N-8.7 System Menus - Continued

N-8.7.14 Record of Fire - Continued

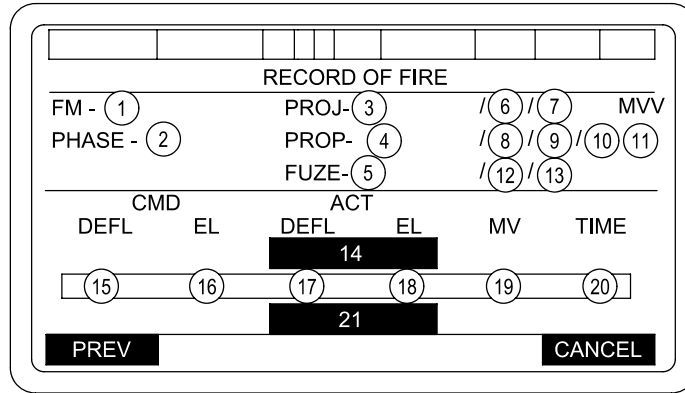
Table N-17. Record of Fire Display - Continued

Field	Description	Conditions for display
18	FFE1 Range/Values: (1) FFE1 (2) Blank Resolution: NA Default/Initial: Blank Units: NA	(1) FFE1 phase during a mission. (2) Fire Mission is an FDC FIRE COMMANDS or DIRECT or there was no FFE1 phase.
19	FFE2 Range/Values: (1) FFE2 (2) Blank Resolution: NA Default/Initial: Blank Units: NA	(1) There was a second Fire for Effect phase for the mission. (2) There was no FFE2 phase for the mission.

N-8 AFCS FIRE MISSION - CONTINUED

N-8.7 System Menus - Continued

N-8.7.14 Record of Fire - Continued



06pc191ti

- PREV** : Returns to previous screen for viewing pre-shot data of different phase
- CANCEL** : Return to RECORD OF FIRE menu

Table N-18. Record of Fire Data Display

Field	Description	Conditions for display
1	<p>FM</p> <p>Range/Values:</p> <p>(1) MANUAL</p> <p>(2) DIRECT</p> <p>(3) AA0000- ZZ9999</p> <p>Resolution: NA</p> <p>Default/Initial: Blank</p> <p>Units: NA</p>	<p>(1) An operator initiated FDC FIRE COMMANDS computed mission was fired from the Paladin.</p> <p>(2) A mission was fired in Direct Fire mode.</p> <p>(3) Range values for target number received from FDC or additional subscribers initiating the Fire Mission, or Paladin Fire Commands initiated by the operator.</p>
2	<p>PHASE</p> <p>Range/Values:</p> <p>(1) ADJ</p> <p>(2) FFE1</p> <p>(3) FFE2</p> <p>Resolution: NA</p> <p>Default/Initial: Blank</p> <p>Units: NA</p>	<p>(1) Adjust Fire phase.</p> <p>(2) Fire for Effect 1 phase.</p> <p>(3) Fire for Effect 2 phase.</p>

N-8 AFCS FIRE MISSION - CONTINUED

N-8.7 System Menus - Continued

N-8.7.14 Record of Fire - Continued

Table N-18. Record of Fire Data Display - Continued

Field	Description	Conditions for display
3	PROJ Range/Values: (1) PROJ (shell) model only (see table N-6 for US munitions) Resolutions: NA Default/Initial: Blank Units: NA	(1) Initial projectile fired during the selected phase (ADJ, FFE1, or FFE2) of the Fire Mission.
4	PROP Range/Values (1) PROP model only (see table N-6 for US munitions) Resolution: NA Default/Initial: Blank Units: NA	(1) Initial propellant fired during the selected phase (ADJ, FFE1, or FFE2) of the Fire Mission.
5	FUZE Range/Values: (1) FUZE model only (see table N-6 for US munitions) (2) Blank Resolution: NA Default/Initial: Blank Units: NA	(1) Initial fuze fired during the selected phase (ADJ, FFE1, or FFE2) of the Fire Mission. (2) Projectile XM982, M982, or M712 (Copperhead) was fired.

N-8 AFCS FIRE MISSION - CONTINUED

N-8.7 System Menus - Continued

N-8.7.14 Record of Fire - Continued

Table N-18. Record of Fire Data Display - Continued

Field	Description	Conditions for display
6	Projectile Lot Range/Values: (1) A-Z Resolution: NA Default/Initial: Blank Units: NA	(1) Projectile lot designator of the projectile fired during the selected phase (ADJ, FFE1, or FFE2) of the Fire Mission.
7	Projectile CC (Country Code) Range/Values: (1) Projectile CC only (see table N-6 for US munitions) Resolution: NA Default/Initial: Blank Units: NA	(1) CC of the projectile fired during the selected phase (ADJ, FFE1, or FFE2) of the Fire Mission.
8	Propellant Lot Range/Values: (1) A-Z Resolution: NA Default/Initial: Blank Units: NA	(1) Propellant lot designator of the propellant fired during the selected phase (ADJ, FFE1, or FFE2) of the Fire Mission.
9	Propellant Charge Range/Values: (1) Prop charge only (see table N-6 for US munitions) Resolution: NA Default/Initial: Blank Units: NA	(1) Propellant charge of the propellant fired during the selected phase (ADJ, FFE1, or FFE2) of the Fire Mission.

N-8 AFCS FIRE MISSION - CONTINUED**N-8.7 System Menus - Continued**N-8.7.14 Record of Fire - Continued**Table N-18. Record of Fire Data Display - Continued**

Field	Description	Conditions for display
10	Propellant CC (Country Code) Range/Values: (1) Projectile CC only (see table N-6 for US munitions) Resolution: NA Default/Initial: NA Units: NA	(1) Propellant country code for the propellant fired during the selected phase (ADJ, FFE1, or FFE2) of the Fire Mission.
11	MVV Range/Values: (1) -99.9 to 99.9 Resolution: NA Default/Initial: 0.0 Units: NA	(1) Total MVV applied to the selected phase (ADJ, FFE1, or FFE2) of the Fire Mission.
12	Fuze Setting Range/Values: (1) PD (2) DLY (3) VT (4) 00.0 to 500.0 (5) NN PPP Resolution: NA Default/Initial: 0.0	(1) Fuze is fired with a PD setting during the selected phase (ADJ, FFE1, or FFE2) of the Fire Mission. (2) Fuze is fired with a DLY setting during the selected phase (ADJ, FFE1, or FFE2) of the Fire Mission. (3) XM982 or M982 is fired with a VT setting during the selected phase (ADJ, FFE1, or FFE2) of the Fire Mission. (4) Fuze time setting for the initial round of the selected phase (ADJ, FFE1, or FFE2) of the Fire Mission. (5) NN PPP (where NN is the fuze setting and PPP is the Pulse Repetition Frequency Code).
13	FUZE CC (Country Code) Range/Values (1) FUZE CC (see table N-6 for US munitions) Resolution: NA Default/Initial: NA Units: NA	(1) Fuze country code of the fuze fired during the selected phase (ADJ, FFE1, or FFE2) of the Fire Mission.

N-8 AFCS FIRE MISSION - CONTINUED

N-8.7 System Menus - Continued

N-8.7.14 Record of Fire - Continued

Table N-18. Record of Fire Data Display - Continued

Field	Description	Conditions for display
14	MOVE ABOVE Range/Values: (1) MORE ABOVE (2) DATA (for rounds shot) Resolution: NA Default/Initial: Blank Units: NA	(1) Used to navigate between screens when there is more DATA that can be viewed on this display by scrolling. (2) Most recent DATA (up to the tenth shot) when there are no more than 4 recorded rounds fired for the selected phase or when scrolling is enabled.
15	CMD DEFL Range/Values: (1) 0.0 through 6399.9 Resolution: NA Default/Initial: Blank Units: Mils	(1) Command deflection for each round.
16	CMD EL Range/Values: (1) -200.0 through +1333.0 Resolution: NA Default/Initial: Blank Units: Mils	(1) Command elevation for each round.
17	ACT DEFL Range/Values: (1) 0.0 through 6399.9 Resolution: NA Default/Initial: Blank Units: Mils	(1) Actual deflection for each round at the time shot was detected.

N-8 AFCS FIRE MISSION - CONTINUED

N-8.7 System Menus - Continued

N-8.7.14 Record of Fire - Continued

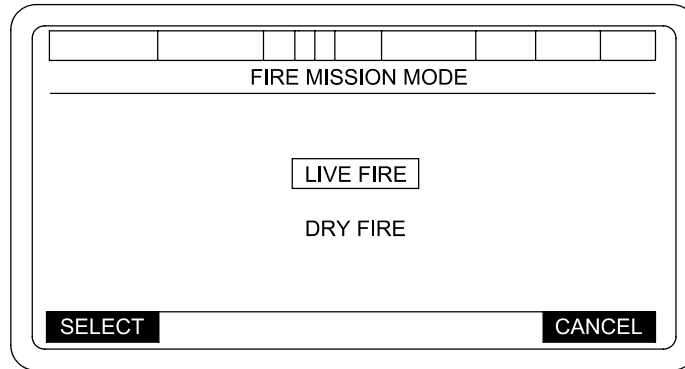
Table N-18. Record of Fire Data Display - Continued

Field	Description	Conditions for display
18	ACT EL Range/Values: (1) -200.0 through +1333.0 Resolution: NA Default/Initial: Blank Units: Mils	(1) Actual elevation for each round at the time shot was detected.
19	MV (Muzzle Velocity) Range/Values: (1) 0 to 999.9 Resolution: NA Default/Initial: 0.0 Units: Meters Per Second	(1) Muzzle velocity for each round of the Fire Mission.
20	TIME Range/Values: (1) 0000-5959 Resolution: NA Default/Initial: NA Units: Minutes/ Seconds	(1) Time the round was fired.
21	MORE BELOW Range/Values: (1) MORE BELOW (2) DATA (for rounds shot) Resolution: NA Default/Initial: Blank Units: NA	(1) Used to navigate between screens when there is more DATA that can be viewed on this display by scrolling. (2) Displayed when there are no more than 4 recorded rounds fired for the selected phase or the first shot DATA appears.

N-8 AFCS FIRE MISSION - CONTINUED

N-8.7 System Menus - Continued

N-8.7.14.1 Fire Mission Mode.



06pc269t

- When LIVE FIRE is selected, EFC updates shall be performed upon EOM/Abort Fire Mission Processing.
- When DRY FIRE is selected, Muzzle Velocity processing and EFC processing shall not be performed. All other functions are performed as they would be in a normal Live Fire Mode. An operator warning "D" shall be shown in position 4 of the Function Status Field. This warning shall remain in all screens until LIVE FIRE is selected.
- Pressing SELECT will transition display to the SETUP AND INFORMATION menu with the appropriate value shown in the Function Status field.

N-8.7.15 Muzzle Velocity. For more accurate firing data when computing ballistics, measured muzzle velocities are entered into the AFCS. Also, muzzle velocities can be entered as they are measured. This is performed as followed:

WARNING

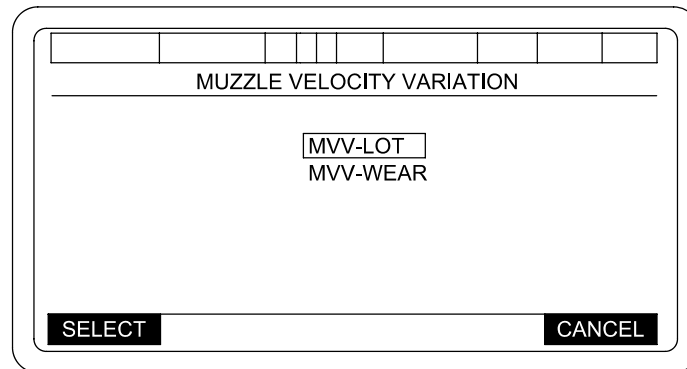
Ensure that correct propellant temperature and shell weights are entered in AFCS. Failure to comply will result in incorrect ballistic computations. This could result in injury or death to friendly troops.

N-8 AFCS FIRE MISSION - CONTINUED

N-8.7 System Menus - Continued

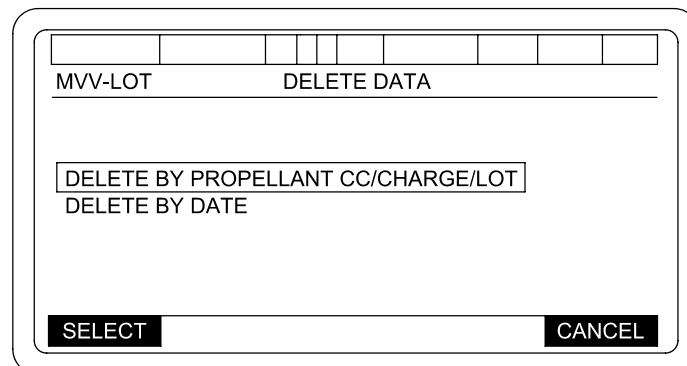
N-8.7.15 Muzzle Velocity - Continued

- a. Box in MUZZLE VELOCITY on SETUP AND INFORMATION menu and press SELECT key to display a MUZZLE VELOCITY VARIATION screen.



06pc266t

- b. To delete muzzle velocity, box in MVV-LOT from the MUZZLE VELOCITY VARIATION screen and press SELECT.



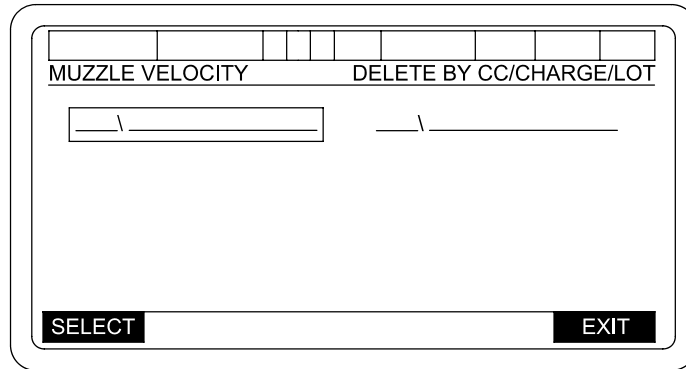
06pc266ta

N-8 AFCS FIRE MISSION - CONTINUED

N-8.7 System Menus - Continued

N-8.7.15 Muzzle Velocity - Continued

- c. To delete muzzle velocity by propellant cc/charge/lot, box in DELETE BY PROPELLANT CC/CHARGE/LOT and press SELECT.



06pc273ta

Lots are displayed in ascending ASCII sort sequence by country, manufacturer’s propellant lot, and then propellant charge. When SELECT softkey is pressed the short message “DELETE VELOCITY DATA” “YES” “NO” will be displayed. YES causes the MVV Lot data for the selected propellant lot to be deleted from the display. NO allows the re-selection of a propellant lot. While extended lot codes are being retrieved and sorted for display, the following message shall be displayed:

“RETRIEVING LIST PLEASE WAIT”

If no lots are available for deletion, the SELECT key will be blanked, you will have a CANCEL at softkey 4 and the message “NO LOTS TO DELETE” will be displayed.

If there is more than one page of entries in the MVV-Lot database, you will have a NEXT PAGE at softkey 2 and PREVIPAGE at softkey 3. If the first page of entries is displayed, the PREV PAGE softkey will be blanked. If the last page of entries is displayed, the NEXT PAGE softkey will be blanked.

EXIT replaces the CANCEL softkey once a lot has been deleted. When the EXIT softkey is pressed, the message “PERM DELETE LOTS” “YES” “NO” shall be displayed. If YES is selected, the propellant lots will be deleted from the MVV-Lot Database. If NO is selected, propellant lots shall not be deleted from the MVV-Lot Database.

If the entry has an asterisk (*) in front of the country code, then that entry has a 5% radial impact error. This error must be considered to ensure accurate fire.

N-8 AFCS FIRE MISSION - CONTINUED

N-8.7 System Menus - Continued

N-8.7.15 Muzzle Velocity - Continued

- d. To delete muzzle velocity by the date box in DELETE BY DATE and press SELECT.

06pc267t

When ENT key is pressed, a validity check is performed on the entered date/time. If the date/time is invalid, you will receive a short error message: "INVALID DTG VALUE" "ACK". You will be required to enter a new Date/Time value. If the date/time data is valid, a short message "DELETE MVV" "YES" "NO". YES causes all MVV Lot data older than the entered DTG to be deleted. NO allows re-entry of the DTG.

- e. To update muzzle velocity variation tube wear information, box in MVV-WEAR from the MUZZLE VELOCITY VARIATION screen and press SELECT.

PROJ FAMILY	MVV TUBE WEAR
HE	0.6
ICM	0.4
RAP	0.2
BB	0.1
CPH	0.1

06pc267tb

When an entry has been selected the "+/-" will be displayed at softkey 2. The phrase "ENTER A VALUE BETWEEN -49.9 AND +49.9" and "PRESS ENT KEY" will be displayed. If the value is greater than +/- 49.9, you will receive a short error message: "VALUE TOO BIG" "ACK" or "VALUE TOO SMALL" "ACK". The value will be returned to the previous value displayed and allow re-entry. when you have updated an entry with a different value, "UPDATE" will be displayed at softkey 2. Press UPDATE. This will update the MVV-Wear database and return to the MUZZLE VELOCITY VARIATION screen.

N-8 AFCS FIRE MISSION - CONTINUED

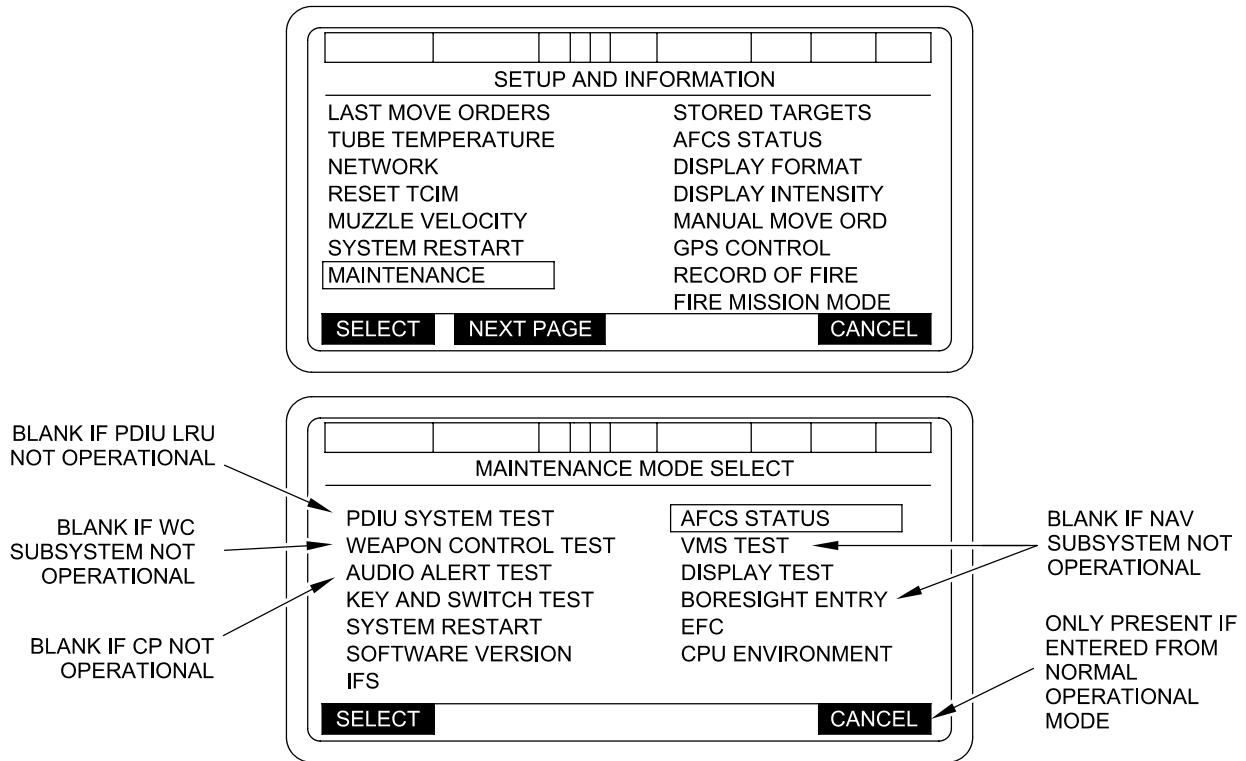
N-8.7 System Menus - Continued

N-8.7.16 Operational Maintenance Transition.

The AFCS will provide the capability for the AFCS operator to transition from NORMAL OPERATIONAL MODE functions to MAINTENANCE MODE functions and back to NORMAL OPERATIONAL MODE without having to POWER DOWN, perform SYSTEM RESTART, or perform NORMAL OPERATIONAL MODE initialization procedures. This capability will only be available when the AFCS has successfully completed an NORMAL OPERATIONAL MODE initialization. Selection of the MAINTENANCE MODE from the AFCS MODE SELECTION display will not allow the AFCS operator to transition to NORMAL OPERATIONAL MODE without first having to POWER DOWN, perform SYSTEM RESTART, or do a NORMAL OPERATIONAL MODE "INITIALIZATION" procedure.

When MAINTENANCE MODE functions are selected from the AFCS NORMAL OPERATIONAL MODE, the PDIU will be directed to limit instructive testing to only respond to Fire Mission requests. When MAINTENANCE MODE is entered from the AFCS SELECT OPERATIONAL MODE display, the PDIU will be allowed to perform its full range of intrusive tests.

If a Fire Mission is received while the AFCS is in a MAINTENANCE MODE function which was activated from the NORMAL OPERATIONAL MODE, the operator will be prompted to either accept or reject the mission. NORMAL OPERATIONAL acceptance of the mission will automatically terminate all MAINTENANCE MODE function activity and transition to NORMAL OPERATIONAL MODE Fire Mission processing. Operator rejection of the mission will cause an operator ABORT of the Fire Mission and will cause the AFCS to remain in the currently active MAINTENANCE MODE function.



06pc275ta

N-9 AFCS AND PDIU FAULT DETECTION.

N-9.1 Power Up Built-In-Test (BIT).

The BIT is a self-test of the AFCS. This test occurs when the vehicle MASTER power is ON and the AFCS POWER switch (located on the DU), is placed to ON. By placing the AFCS POWER switch and PCU circuit breakers to ON, the DU will display the screen shown.

As each of the nine subsystems is tested, the "--" will change and provide a subsystem condition. An OK condition (see illustration below), indicates a subsystem is 100% functional.

POWER UP STATUS		
DCU	SUBSYSTEM	OK
COMMO	SUBSYSTEM	OK
NAV	SUBSYSTEM	OK
WPN	SUBSYSTEM	OK
PCU	SUBSYSTEM	OK
1553	BUS	OK
PDIU	SUBSYSTEM	OK
MVS	SUBSYSTEM	OK
IFS	SUBSYSTEM	OK

06pc244tb

NOTE

If DCU contains an incorrect configuration, the AFCS will not allow the operator to select normal operations until a correct DCU software configuration is downloaded.

When configuration verification checking indicates that the executed software configuration is not the same as the acquired software configuration, a short error message "INVALID SOFTWARE CONFIGURATION" "ACK" will appear on the softkey label line of the DU.

POWER UP STATUS		
DCU	SUBSYSTEM	OK
COMMO	SUBSYSTEM	OK
NAV	SUBSYSTEM	OK
WPN	SUBSYSTEM	OK
PCU	SUBSYSTEM	OK
1553	BUS	OK
PDIU	SUBSYSTEM	OK
MVS	SUBSYSTEM	OK
IFS	SUBSYSTEM	OK
INVALID SOFTWARE CONFIGURATION		
		ACK

ALERT
ONLY
PRESENT IF
NECESSARY

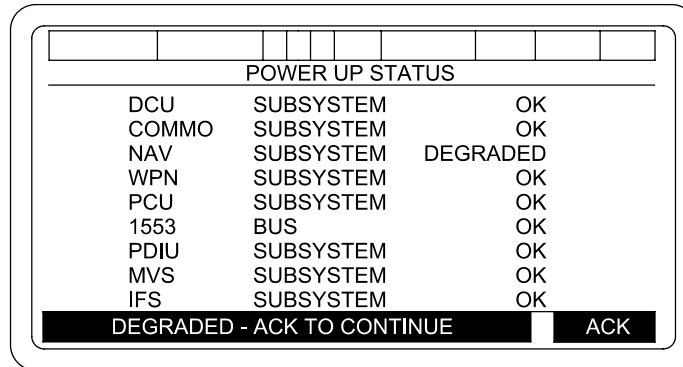
06pc245tc

When the message is acknowledged, the AFCS will proceed to the SELECT OPERATIONAL MODE menu. To view detailed software configuration information for each LRU, MAINTENANCE should be selected, IAW procedure in para N-9.2.

N-9 AFCS AND PDIU FAULT DETECTION - CONTINUED

N-9.1 Power Up Built-In-Test (BIT) - Continued

The display shown in the example below illustrates two conditions, DEGRADED and OUT.

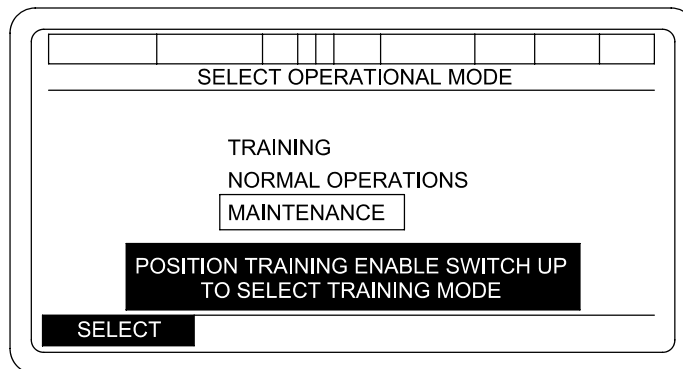


06pc244td

The DEGRADED condition indicates a subsystem is not 100% functional. When a degraded condition exists, it will be indicated in field 7 by one or a combination of these letters with the following meaning:

- N - Navigation
- A - GPS Aiding
- C - Communication Processing
- W - Weapon Controller

These two conditions, OUT and DGRD, will be tested to determine where the fault exists and the extent of the fault. After a fault has been detected (OUT or DGRD condition during self-test) press the illuminated softkey beneath the word ACK. After pressing the ACK key, the screen shown below will be displayed.

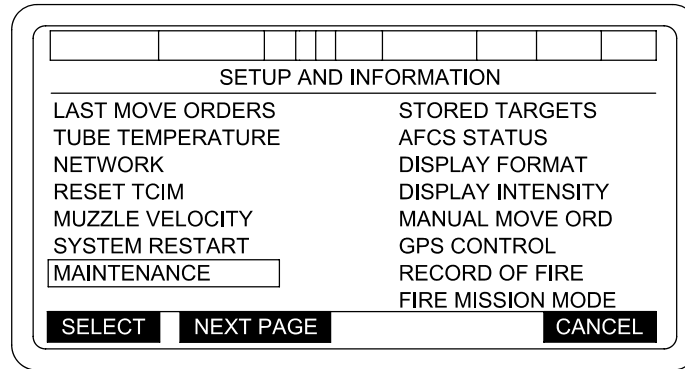


06pc567ma

The display above depicts three modes: TRAINING, NORMAL OPERATION and MAINTENANCE. To select MAINTENANCE MODE, box in MAINTENANCE as shown in the illustration above. Press illuminated softkey beneath the word SELECT to enter maintenance mode master menu.

N-9 AFCS AND PDIU FAULT DETECTION - CONTINUED

N-9.1 Power Up Built-In-Test (BIT) - Continued



06pc278t

The AFCS also provides the capability for the AFCS operator to transition from Normal Operational Mode functions to Maintenance Mode functions and back to Normal Operational Mode without having to perform a power down sequence, system restart, or Normal Operational Mode initialization procedures. This capability shall only be available when the AFCS has successfully completed an Normal Operational Mode initialization. Selection of the Maintenance Mode from the AFCS Mode Selection display shall not allow the AFCS operator to transition to Normal Operational Mode without first performing either a power down sequence or a system restart.

When Maintenance Mode functions are selected from the AFCS Operational Mode, the PDIU shall be directed to limit intrusive testing to only those tests which will not impact the ability of the AFCS to quickly respond to fire mission requests. When Maintenance Mode is entered from the AFCS Mode Selection display, the PDIU shall be allowed to perform its full range of intrusive tests.

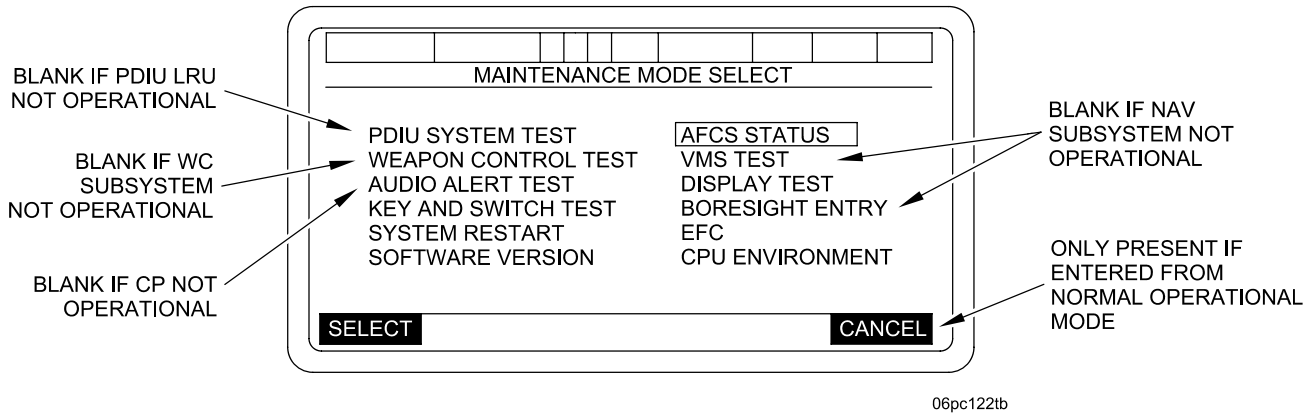
If a fire mission is received while the AFCS is in a Maintenance Mode function which was activated from the Operational Mode, the operator shall be prompted to either accept or reject the mission. Operator acceptance of the mission shall automatically terminate all Maintenance Mode function activity and transition to Normal Operational Mode fire mission processing. Operator rejection of the mission shall cause an operator abort of the fire mission and shall cause the AFCS to remain in the currently active Maintenance Mode function.

N-9 AFCS AND PDIU FAULT DETECTION - CONTINUED

N-9.2 AFCS Status.

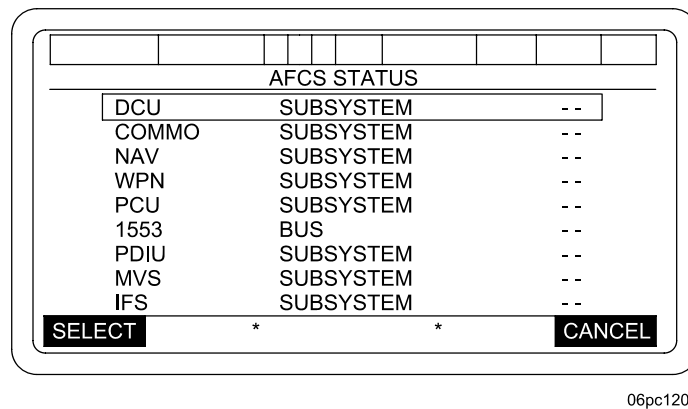
To display the AFCS STATUS menu:

- a. Select MAINTENANCE from the SETUP AND INFORMATION menu. Press SELECT key. This will cause the MAINTENANCE MODE SELECT menu to be displayed.



If MAINTENANCE is selected from NORMAL OPERATIONAL MODE, the MAINTENANCE screen will display SELECT and CANCEL options above softkeys 1 and 4 in field 16.

- b. Select AFCS STATUS from the MAINTENANCE MODE SELECT menu. Press SELECT key. This will cause the AFCS STATUS menu to be displayed.



The AFCS STATUS menu will display the various subsystem faults. Using this fault list (showing Degraded Mode of each subsystem), you will be able to determine if Degraded Mode is acceptable depending on mission requirements.

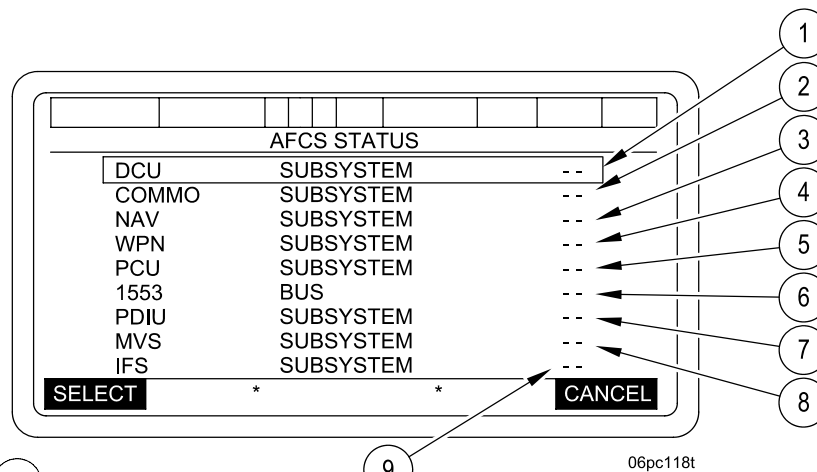
N-9 AFCS AND PDIU FAULT DETECTION - CONTINUED

N-9.2 AFCS Status - Continued

Certain degraded subsystems will not interfere with AFCS operation or mission capability. It is important to know, however, which subsystem is degraded (and which BIT item has failed). Knowing which failure to compensate for/correct will allow you to carry on with your mission. The various LRUs communicate/send messages periodically within AFCS. Whenever an LRU has not sent a message within a certain amount of time, the LRU timer sends an LRU FAILED message. In the event you get an LRU FAILED message, go into MAINTENANCE menu, check AFCS STATUS. If LRU failed, notify unit maintenance.

The AFCS STATUS menu is used by unit maintenance personnel, as well as by the operator. The operator must notify unit maintenance of any subsystem listed with a status of DEGRADED or OUT, then no faults within that subsystem are indicated. Look at each subsystem carefully.

Select the subsystem in question. Additional information will be displayed to identify where the fault lies.



- ① = (OK, DEGRADED, --)
- ② = (OK, DEGRADED, --)
- ③ = (OK, DEGRADED, --)
- ④ = (OK, DEGRADED, --)
- ⑤ = (OK, DEGRADED)
- ⑥ = (OK, DEGRADED, --)
- ⑦ = (OK, --)
- ⑧ = (OK, --)
- ⑨ = (--)

SELECT = SELECT A SUBSYSTEM

CANCEL = CANCEL and return to SETUP AND INFORMATION menu or INTERNAL MAINTENANCE menu

* = No test appears for these softkeys. Pressing FUNCTION KEY 2 or 3 will clear ET SIMULATED FAILURES

06pc118t

N-9 AFCS AND PDIU FAULT DETECTION - CONTINUED

N-9.2 AFCS Status - Continued

N-9.2.1 DCU SUBSYSTEM STATUS Display.

DCU SUBSYSTEM STATUS			
CPU BRD BIT	--	I/O BRD DU SERIAL	--
BIT HARDWARE	--	I/O BRD SERIAL	--
INVALID HDRW	--	I/O BRD DISCRETE	--
1553B BRD BIT	--	UNDET 1553B CONF	--
NVM R/W	--	TR SW STATUS REC	--
DU BIT	--	GUN SW STATUS REC	--

CANCEL

06pc119ta

-- = (OK, FAIL)

CANCEL = Return to the AFCS STATUS display

N-9.2.2 COMMO SUBSYSTEM STATUS Display.

COMMO SUBSYSTEM STATUS	
CP BIT RECEIVED	--
RC BIT RECEIVED	--
TCIM BOARD BIT	--
TCIM NET BUSY DETECT	--

CANCEL

-- = (OK, FAIL)

CANCEL = Return to the AFCS STATUS display

06pc121ta

N-9 AFCS AND PDIU FAULT DETECTION - CONTINUED

N-9.2 AFCS Status - Continued

N-9.2.3 NAV SUBSYSTEM STATUS Display.

NAV SUBSYSTEM STATUS			
BIT RECEIVED	--	NAV IF BIT	--
DRU CONNECT	--	GPS COMMO	--
DRU INERTIAL	--	GPS BIT	--
DRU BIT	--	GPS ANTENNA	--
I/O BRD SDLC BIT	--	VMS BIT	--

CANCEL

-- = (OK, FAIL)

06pc124ta

CANCEL = Return to the AFCS STATUS display

N-9.2.4 WPN SUBSYSTEM STATUS Display.

WPN SUBSYSTEM STATUS			
BIT RECEIVED	--	AZ VOLT	--
NVM R/W	--	AZ CURRENT	--
SERVO BRD BIT	--	EL VOLT	--
WPN BIT	--	EL CURRENT	--
TUBE TEMP BIT	--	AZ TACH	--
ADC BIT	--	EL TACH	--
BCWC TBL UPDATE	--		

CANCEL

-- = (OK, FAIL)

CANCEL = Return to the AFCS STATUS display

06pc125tb

N-9 AFCS AND PDIU FAULT DETECTION - CONTINUED

N-9.2 AFCS Status - Continued

N-9.2.5 PCU SUBSYSTEM STATUS Display.

A rectangular display window with a title bar at the top containing several small empty boxes. Below the title bar, the text "PCU SUBSYSTEM STATUS" is centered. The main area contains two lines of text: "BIT RECEIVED" followed by "--" and "PCU BIT" followed by "--". At the bottom right corner, there is a black rectangular button with the word "CANCEL" in white text.

06pc126ta

-- = (OK, FAIL)

CANCEL

= Return to the AFCS STATUS display

N-9.2.6 1553 BUS STATUS Display.

A rectangular display window with a title bar at the top containing several small empty boxes. Below the title bar, the text "1553 BUS STATUS" is centered. The main area contains five lines of text: "BIT HARDWARE" followed by "--", "1553 BOARD BIT" followed by "--", "DCU TO PDIU CONNECT" followed by "--", "DCU TO PDIU BUS" followed by "--", "DCU TO MVS CONNECT" followed by "--", and "DCU TO MVS BUS" followed by "--". At the bottom right corner, there is a black rectangular button with the word "CANCEL" in white text.

-- = (OK, FAIL)

CANCEL

= Return to the AFCS STATUS display

06pc127ta

N-9 AFCS AND PDIU FAULT DETECTION - CONTINUED

N-9.2 AFCS Status - Continued

N-9.2.7 PDIU SUBSYSTEM STATUS Display.

PDIU SUBSYSTEM STATUS

BIT RECEIVED	--
PDIU BIT	--
DCU TO PDIU CONNECT	--

CANCEL

06pc128tc

-- = (OK, FAIL)

CANCEL = Return to the AFCS STATUS display

N-9.2.8 MVS SUBSYSTEM STATUS Display.

MVS SUBSYSTEM STATUS

BIT RECEIVED	--
MVS BIT	--
DCU TO MVS CONNECT	--

CANCEL

06pc129ta

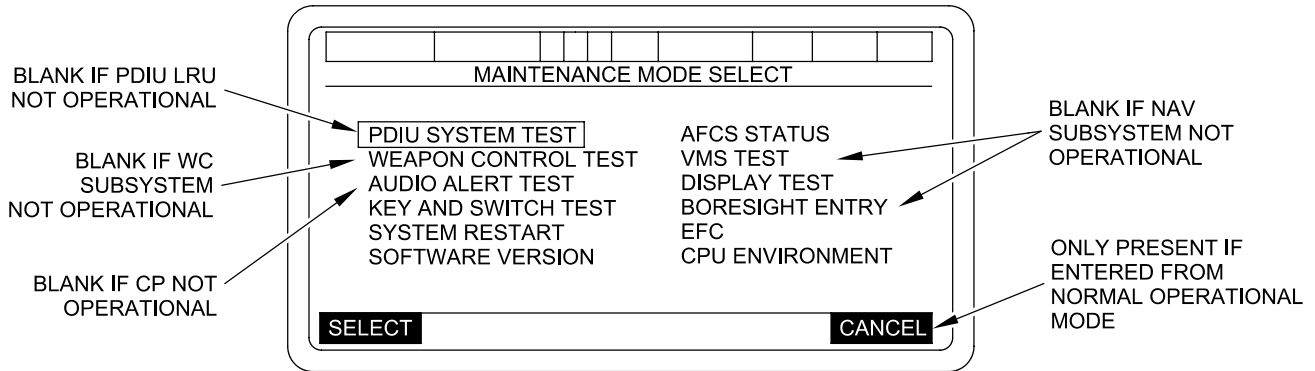
-- = (OK, FAIL)

CANCEL = Return to the AFCS STATUS display

N-9 AFCS AND PDIU FAULT DETECTION - CONTINUED

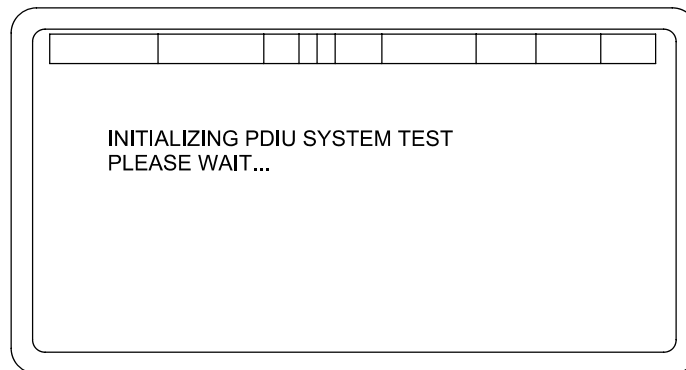
N-9.3 PDIU System Test.

To start the PDIU SYSTEM TEST, move the cursor with the arrow keys until the PDIU SYSTEM TEST is boxed, as shown below.



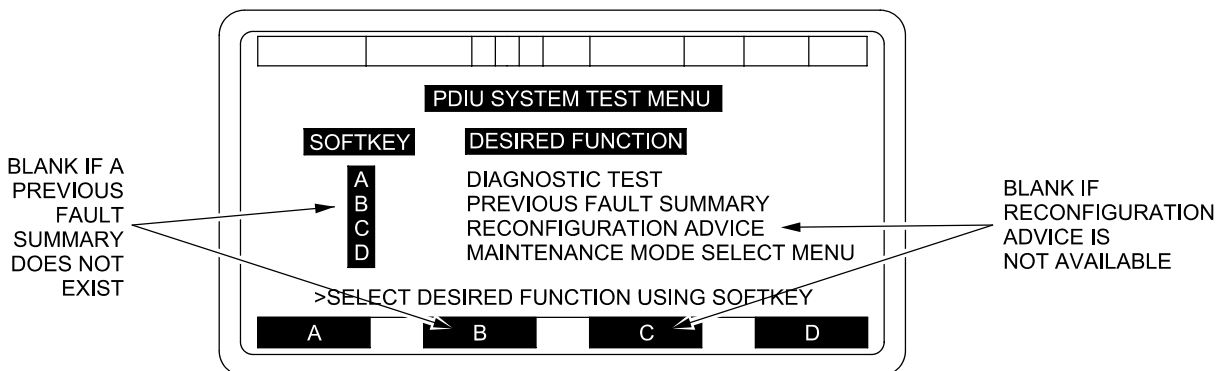
06pc130te

Press SELECT. The screen will display the prompt "ARE YOU SURE", YES OR NO. Press "YES". The screen will display the following message:



06pc525mc

This message requires no action on your part. In 3 to 5 seconds, when the system is ready, it will be replaced with a menu display like the following:



06pc526ma

This menu allows you to select whichever function you wish to perform.

N-9 AFCS AND PDIU FAULT DETECTION - CONTINUED

N-9.3 PDIU System Test - Continued

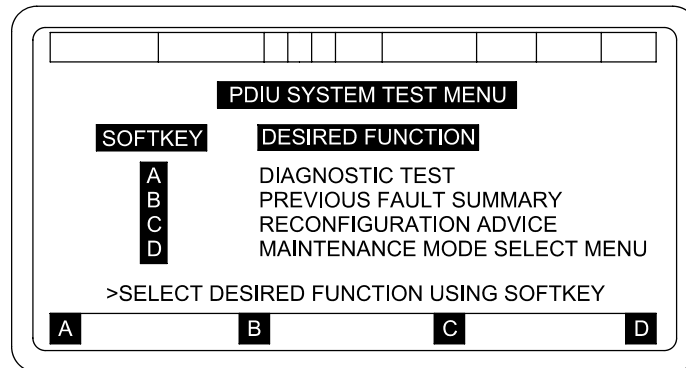
NOTE

The previous Fault Summary and Reconfiguration Advice functions are not always available. These options will not be displayed if their functions cannot be performed. (The different menu screens that can be seen because of this are shown at the end of the description.)

Each of the four functions will now be described separately.

a. DIAGNOSTIC TEST

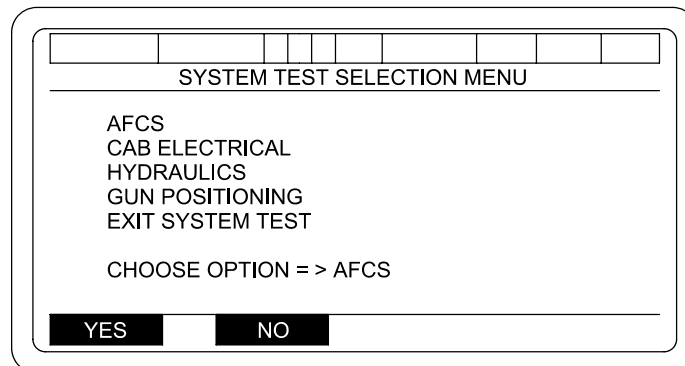
To perform DIAGNOSTIC TEST, press the A softkey.



06pc527ma

The next screen allows you to select which part of the system you would like to test based upon the problem you are troubleshooting. The Gun Positioning System will not be available until the hydraulics segment has been successfully tested (the PDIU should not be reset). To test the entire system, all four segments should be tested in the order they appear on the screen. As each segment passes its test, the next segment should be selected from this screen without resetting the system. If any of the segmented tests fail, the fault should be corrected, the AFCS should be reset and the testing should begin again with the first test. Continuing testing without resetting the system can result in false failures.

To perform any of the segment tests select YES when that segment appears behind CHOOSE OPTION.

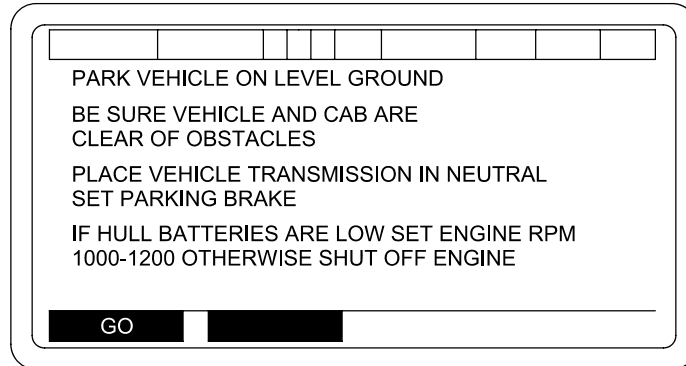


06pc377mb

N-9 AFCS AND PDIU FAULT DETECTION - CONTINUED

N-9.3 PDIU System Test - Continued

The following screen will be displayed.

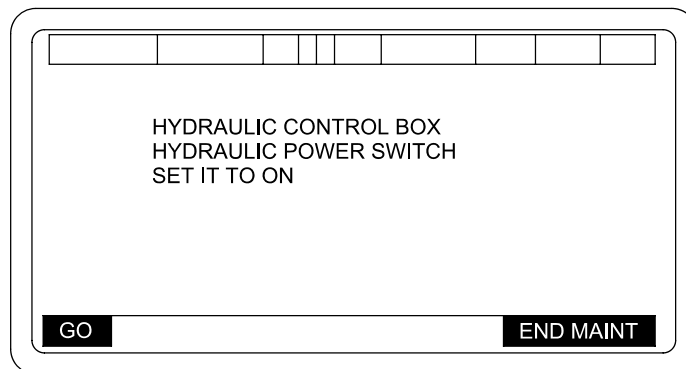


06pc378ma

When you have completed the required actions, press GO softkey and testing will continue.

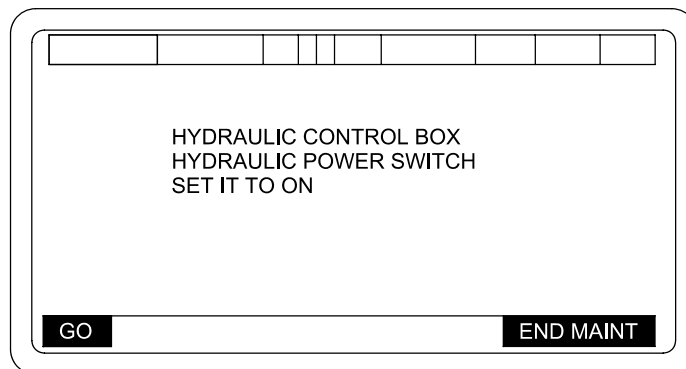
During the next few screens, you will be given the CANCEL softkey option. CANCEL is there in case you selected the DIAGNOSTIC TEST function (from the menu) by mistake or in case you changed your mind. When you press CANCEL, the system will display the PDIU SYSTEM TEST MENU again.

Throughout diagnostic testing, you will be given instructions. When you press GO, you are telling the system that you have done the task it asked for. It is important that you complete the task before pressing GO because many of the decisions that the system makes are based on the actions that you made. A typical instruction is shown below:



06pc411ma

When you are instructed to perform an action such as the screen below, the PDIU measures the voltage of the switch.

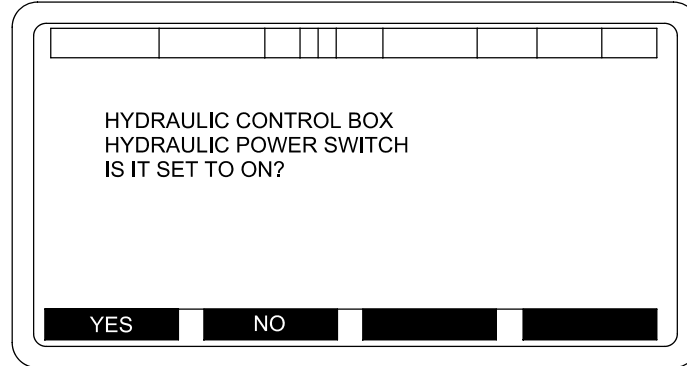


06pc408ma

N-9 AFCS AND PDIU FAULT DETECTION - CONTINUED

N-9.3 PDIU System Test - Continued

If the result is not correct, then you are asked if you performed the action correctly, as shown in the screen below.

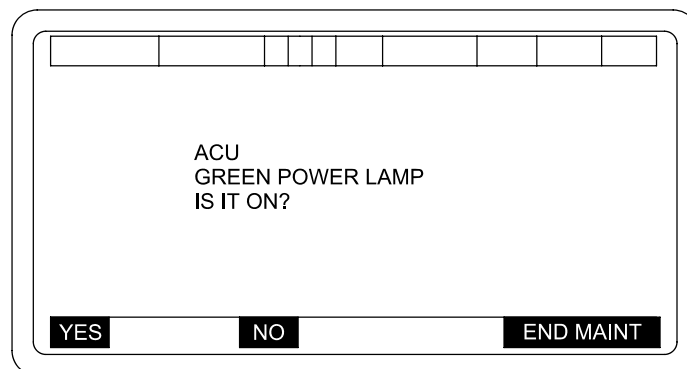


06pc409ma

If you answer YES, a fault will be detected by the PDIU. If you answer NO, you will be given another chance to perform the action correctly. Then, if the action is not performed correctly, a fault will be detected by the PDIU.

Most of the displays in the main section of the DIAGNOSTIC TEST will include an END MAINT softkey at the bottom of the display. When this is present, you have the option of stopping the test at that point. If you press END MAINT, testing will immediately stop and you will see the Fault Summary display with all of the test results up to where you stopped. This feature is provided to allow you to return to normal operations with a minimum of delay if necessary. REMEMBER - When you press END MAINT, the system can only report the results of the test up to where you stopped. There may be further faults not detected.

During diagnostic testing, you will also be asked to answer questions. A typical question is shown below:



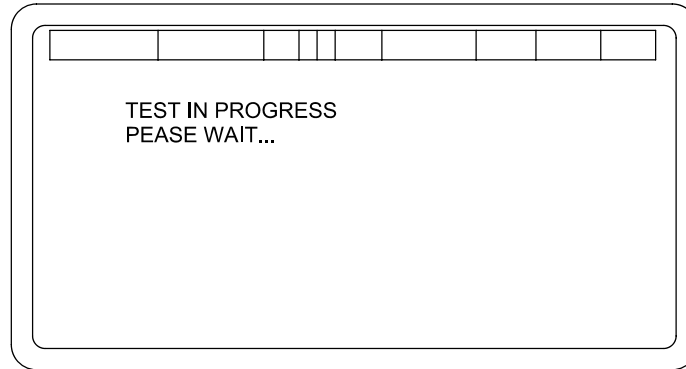
06pc407mh

Questions will always be asked so that a YES or NO answer is possible by pressing the YES or NO softkeys. The system is using your ability to see, feel and hear to get the information it needs. It uses your answers to make decisions about functions that cannot be measured directly by the PDIU.

N-9 AFCS AND PDIU FAULT DETECTION - CONTINUED

N-9.3 PDIU System Test - Continued

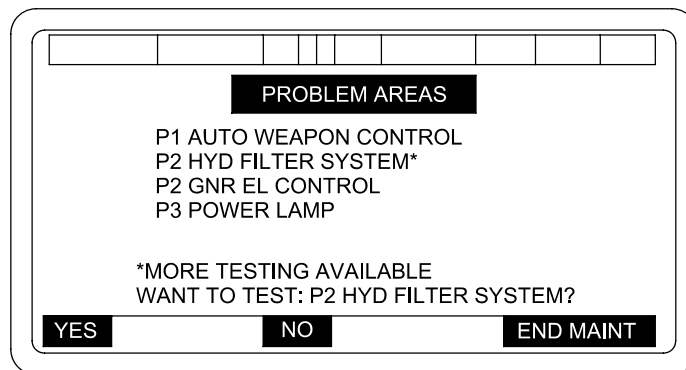
Several times during diagnostic testing, you will see messages that start with the words "TEST IN PROGRESS" like the following screen:



06pc259ma

These screens have no labels for the softkeys at the bottom of the screen and require no response. They are intended to let you know that the system has recognized your last response and is busy with a long test operation. When it is ready to continue, the display will automatically change to a question or instruction message

Most faults will be isolated as far as possible by the PDIU during the normal sequence of DIAGNOSTIC TEST. Usually, the test sequence will run to completion and display the Fault Summary screen. However, some faults can be isolated further. This requires extra testing which can involve disconnecting cables and opening the hydraulic compartment. When one of these faults is detected, the system will remember it until it has finished all of the fault detection tests. It will then display a special menu screen like the following:



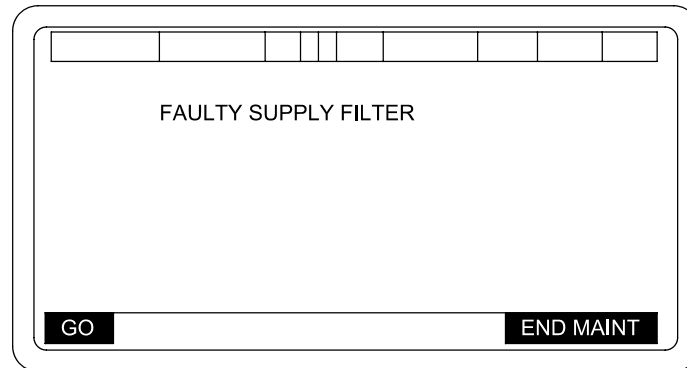
06pc531ma

Each of the problem areas that requires extra testing will be displayed with an asterisk (*). The question line at the bottom will have the same name of the first extra test problem area. You can choose to continue testing this problem area by pressing YES. If you press NO, the name of the next extra test problem area will appear. As long as you continue to press NO, the names of the * problem areas will appear in the question, one at a time. If you decide not to do any of the extra testing, press END MAINT and the system will immediately display the Fault Summary.

N-9 AFCS AND PDIU FAULT DETECTION - CONTINUED

N-9.3 PDIU System Test - Continued

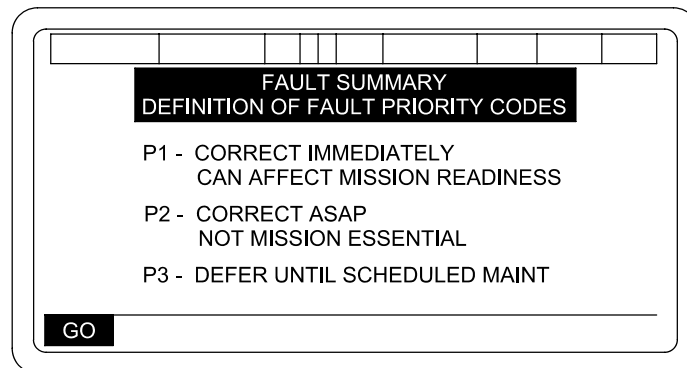
If you press the YES softkey for one of the problem areas, testing will continue with instructions and questions until the fault has been isolated as far as possible by the PDIU. When the extra testing is complete, you will see a screen like the following:



06pc532ma

This screen may show one faulty LRU or a short list of possible faulty LRUs that must be isolated further by manual troubleshooting procedures. It tells you that the PDIU has done all of the testing it can. When you press GO, the Fault Summary screens will begin.

The first screen of the Fault Summary sequence will be definition of the Fault Priority Codes assigned to each fault message.



06pc533ma

- P1 - These faults require immediate attention. You have lost or may soon lose a major system function that may affect your mission capabilities.
- P2 - These faults do not immediately affect your mission readiness but should be corrected as soon as possible.
- P3 - These faults can be deferred until a scheduled maintenance period.

N-9 AFCS AND PDIU FAULT DETECTION - CONTINUED

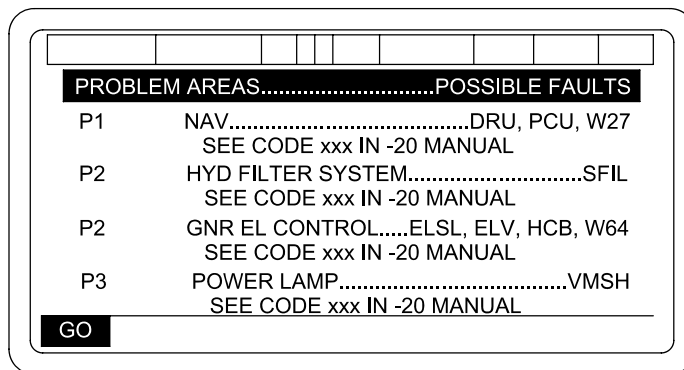
N-9.3 PDIU System Test - Continued

The fault definition screen is followed by a Fault Summary list like the one shown on the next screen.

NOTE

All of the information in the Fault Summary screens should be reported to Unit Maintenance. It is a good idea to copy the list of problems and possible faults before pressing GO. If you forget or don't have time to copy all the information now, it can be redisplayed by selecting the Previous Fault Summary option in the PDIU SYSTEM TEST MENU screen the next time it is displayed, even if power has been removed.

Press the GO softkey to continue.



06pc534ma

The Fault Summary screens are a list of all of the problems found during screen DIAGNOSTIC TEST. When no problems have been detected, this will simply say "NO FAULTS FOUND" and the Definition of Fault Priority Codes screen will not be shown. However, when problems have been detected, a list like the one above will appear.

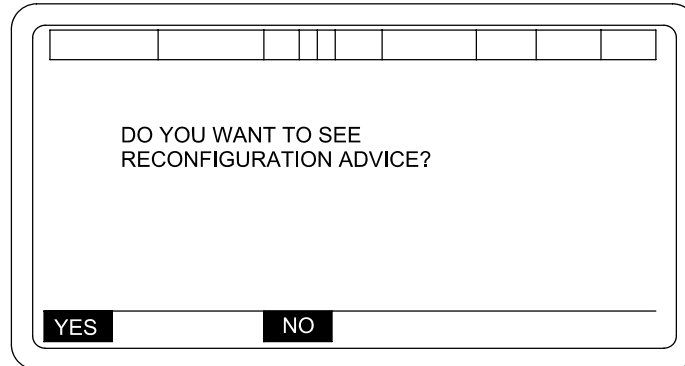
When the Fault Summary displays problem areas, it also displays a list of possible faulty LRUs for each problem area and a -20 manual code number. When only one LRU is listed for a problem area, DIAGNOSTIC TEST has determined that the LRU is definitely faulty and must be replaced. When more than one LRU (separated by commas) is listed as a possible fault for a problem area, further isolation by Unit Maintenance is required to determine which one of the LRUs listed is faulty.

The code number (xxx) listed in the "SEE CODE XXX IN -20 MANUAL" message is a reference to an index in the -20 manual which lists the page where the correct manual troubleshooting procedure can be found.

N-9 AFCS AND PDIU FAULT DETECTION - CONTINUED

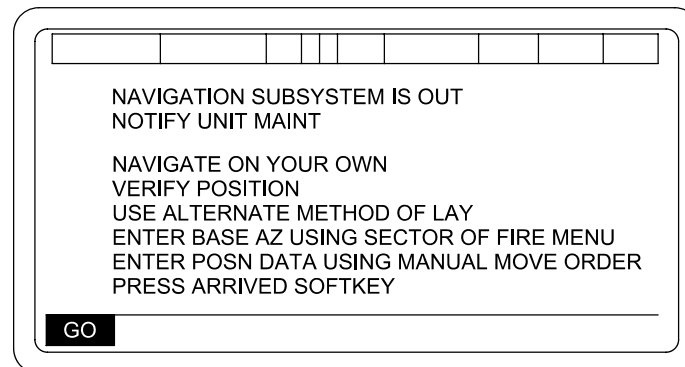
N-9.3 PDIU System Test - Continued

The Fault Summary list can take up to three screens. When you have finished viewing or copying the information on each Fault Summary screen, press GO to continue. If more faults were detected, the next Fault Summary screen will be displayed. Some faults may not appear due to limited space on the screens. After corrective actions have been accomplished, the test should be re-run to ensure no additional faults are detected. If Reconfiguration Advice is available for the detected faults, you will be asked the following question:



06pc535ma

This screen offers you the chance to get further information on what backup modes of operation are available for subsystems that are not operational. If you press YES, a screen like the following will appear:



06pc536ma

N-9 AFCS AND PDIU FAULT DETECTION - CONTINUED

N-9.3 PDIU System Test - Continued

Reconfiguration Advice may take more than one screen depending on which (and how many) subsystems are not operational. After you have read each screen, press the GO softkey to continue.

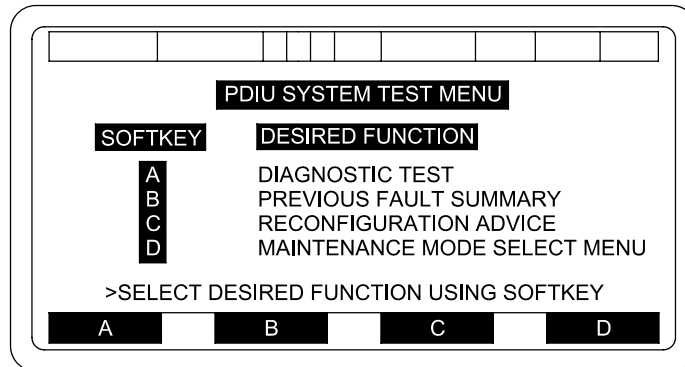
After all Reconfiguration Advice messages have been read, you will be given two screens of instructions that will return the vehicle to a given state. At this point, testing is complete. When you press the final GO, the screen will display the PDIU SYSTEM TEST MENU again.

General Notes About DIAGNOSTIC TEST

The sequence of messages and displays that you see during DIAGNOSTIC TEST will vary depending on the number of faults present in the vehicle. The system will choose its own path through the tests and guide you with instructions. Don't be concerned if you see messages and questions you haven't seen before. The system is simply troubleshooting a fault you haven't had before.

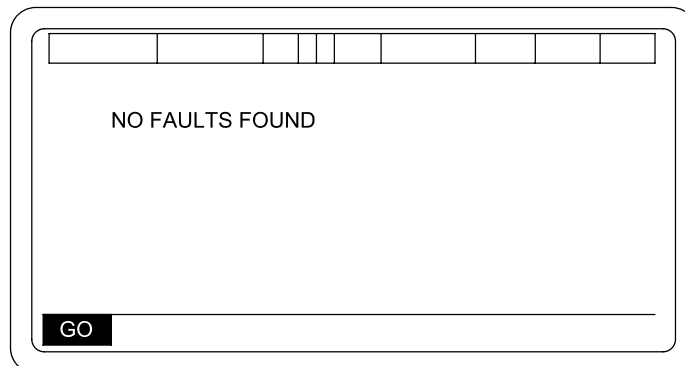
b. PREVIOUS FAULT SUMMARY

To view the PREVIOUS FAULT SUMMARY, press the B softkey.



06pc527mc

The PREVIOUS FAULT SUMMARY is a list of all the problems found during the last DIAGNOSTIC TEST performed. If no problems were detected, the following message will be displayed:

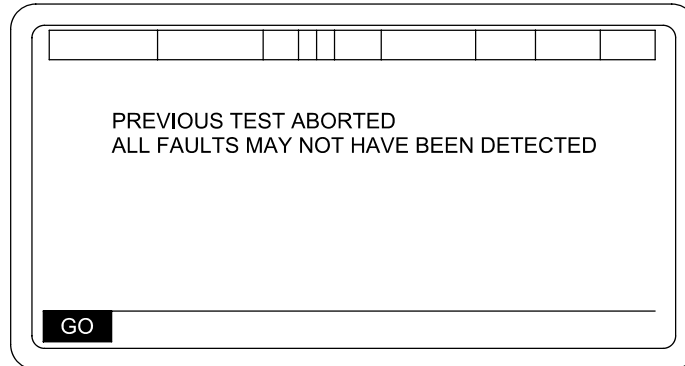


06pc537ma

N-9 AFCS AND PDIU FAULT DETECTION - CONTINUED

N-9.3 PDIU System Test - Continued

If the last DIAGNOSTIC TEST was aborted before completion, you will also see the following message:

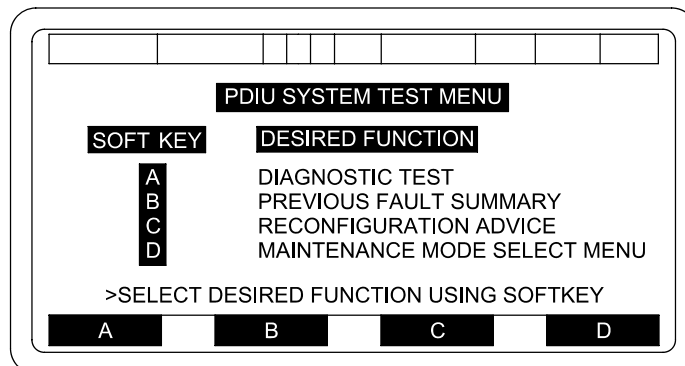


06pc538ma

When all screens in the Previous Fault Summary display sequence have been viewed, the PDIU SYSTEM TEST MENU will automatically be displayed again.

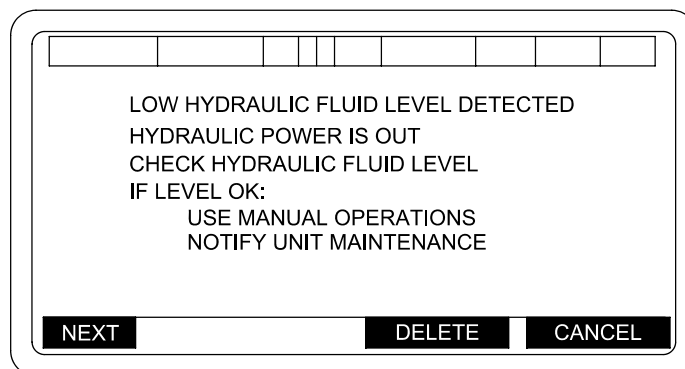
c. RECONFIGURATION ADVICE

To view Background Monitoring Mode RECONFIGURATION ADVICE, press the C softkey.



06pc527mc

A screen like the following will be displayed:



06pc539ma

N-9 AFCS AND PDIU FAULT DETECTION - CONTINUED

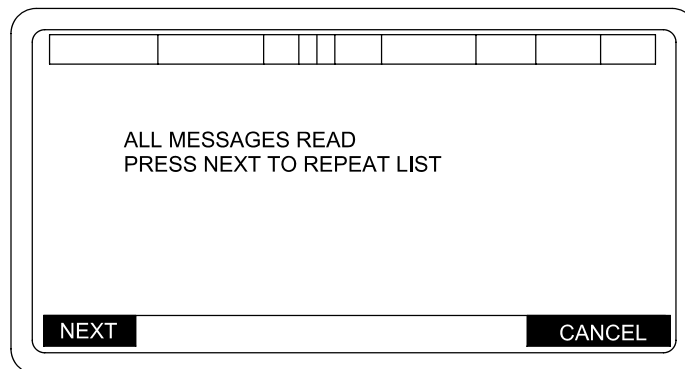
N-9.3 PDIU System Test - Continued

RECONFIGURATION ADVICE offers you the opportunity to get more information on what Backup Modes of Operation are available for subsystems that are not operational. This information is displayed for each warning message sent to the DCU during Normal Operations. RECONFIGURATION ADVICE can take several screens to display as each warning message/advisory information is displayed on a separate screen. You can cycle through and delete the messages as desired.

If you press NEXT, the next warning message and its advisory information will be displayed. If you press DELETE, the warning message and its advisory information displayed will be deleted and the next warning message will appear.

Throughout RECONFIGURATION ADVICE, the CANCEL softkey is available to you. If you press CANCEL, you will exit from RECONFIGURATION ADVICE and the PDIU SYSTEM TEST MENU will be displayed again.

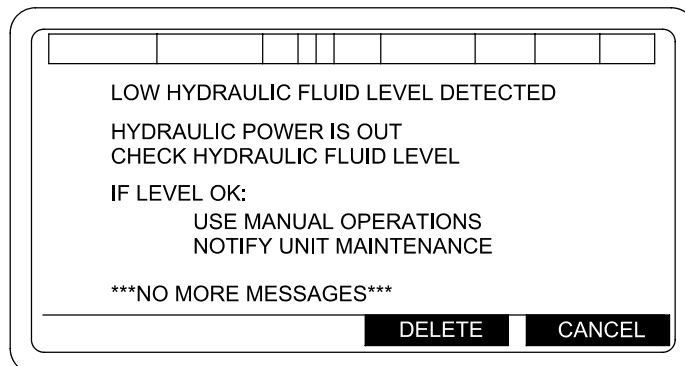
After all messages have been viewed, the following display will appear:



06pc540ma

You can press NEXT to cycle through all the messages which were not deleted. Or press CANCEL to exit.

When the last message is displayed and there are no more messages to view, a display like the following will appear:



06pc541ma

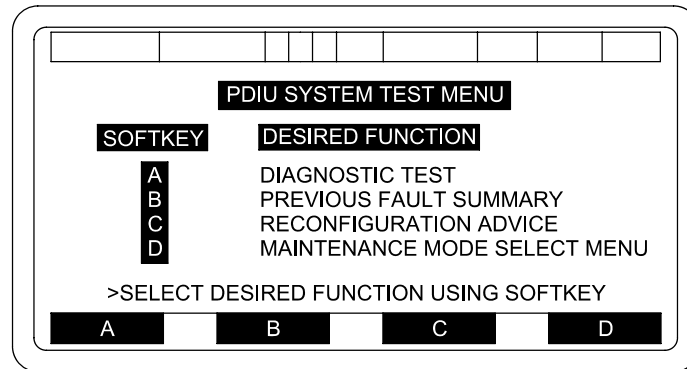
If you press DELETE, the warning message and its advisory information will be deleted and the PDIU SYSTEM TEST MENU will be displayed again.

N-9 AFCS AND PDIU FAULT DETECTION - CONTINUED

N-9.3 PDIU System Test - Continued

d. MAINTENANCE MODE SELECT MENU

To exit from PDIU SYSTEM TEST, press the D softkey.



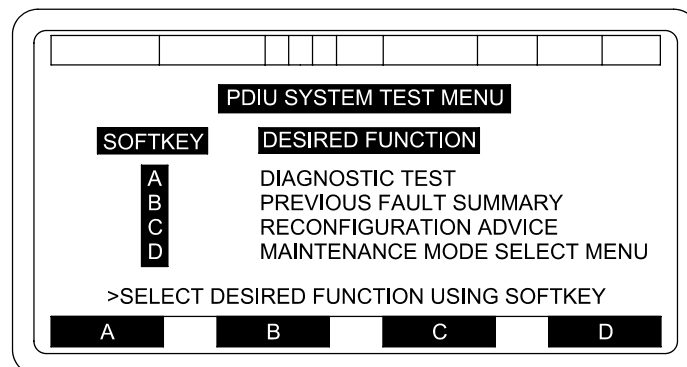
06pc527mc

Pressing D will terminate PDIU SYSTEM TEST and the MAINTENANCE MODE SELECT menu screen will appear. The PDIU will automatically enter into its Background Monitoring Mode.

e. PDIU SYSTEM TEST MENU VARIATIONS

The following screens show all of the different menus that can be displayed when entering the PDIU SYSTEM TEST. As mentioned above, all options are not always available. An option will not be displayed if its function cannot be performed.

In the following screen, all options are available to the user.

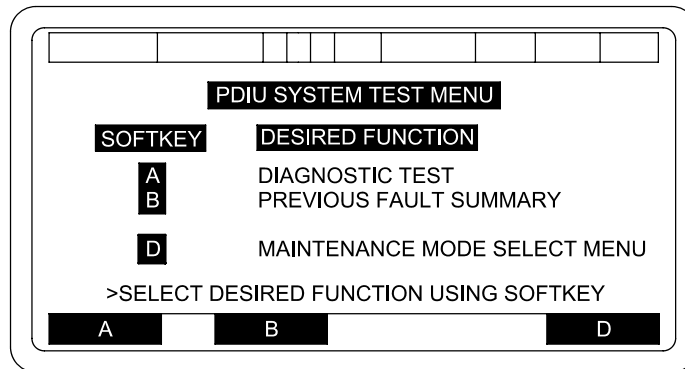


06pc527mc

N-9 AFCS AND PDIU FAULT DETECTION - CONTINUED

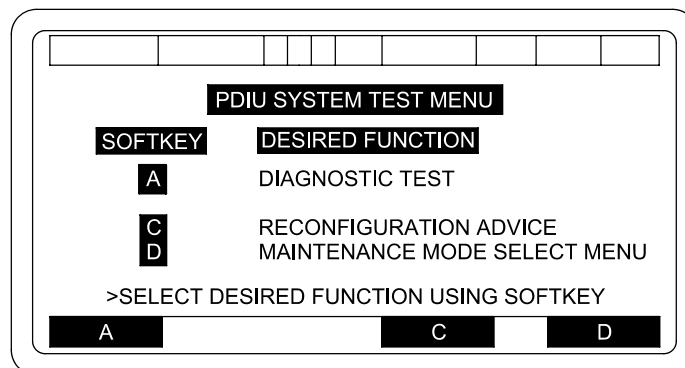
N-9.3 PDIU System Test - Continued

The RECONFIGURATION ADVICE option is missing from the following menu screen. RECONFIGURATION ADVICE will only be available for warning messages sent to the DCU during Normal Operations and for certain faults detected by the AFCS.



06pc542mc

The PREVIOUS FAULT SUMMARY option is missing from the following menu screen. A PREVIOUS FAULT SUMMARY will only be available if the last DIAGNOSTIC TEST performed was aborted while in progress and faults had been detected or if the last DIAGNOSTIC TEST was completed.

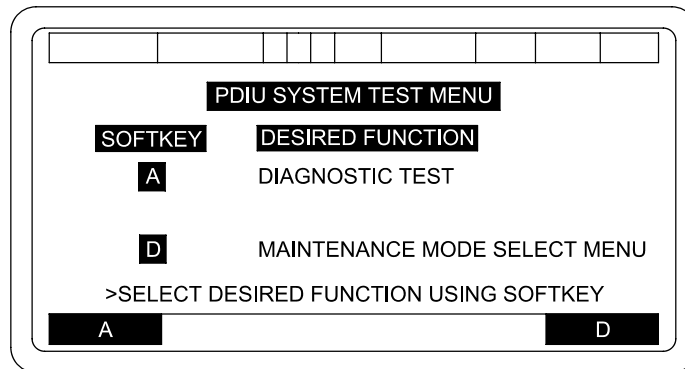


06pc543mc

N-9 AFCS AND PDIU FAULT DETECTION - CONTINUED

N-9.3 PDIU System Test - Continued

Both the PREVIOUS FAULT SUMMARY and RECONFIGURATION ADVICE options are missing from the following menu screen. Neither of these options can be performed. DIAGNOSTIC TEST and MAINTENANCE MODE SELECT MENU options will always be available.



06pc546mc

DIAGNOSTIC TEST is the way you perform all diagnostic testing.

MAINTENANCE MODE SELECT MENU is the way you end PDIU system testing and return to AFCS operations.

N-9 AFCS AND PDIU FAULT DETECTION - CONTINUED

N-9.4 Weapon Control Test.

This test checks the elevation and azimuth tachometers which control the speed of the gun tube and cab movement during automatic positioning; LOAD, LAY and STOW.

This test SHOULD NOT be performed in accordance with the standard vehicle setup condition. Vehicle setup conditions for THIS test are:

- a. Park vehicle with transmission in neutral, engine running.
- b. Set parking brakes.
- c. Remove gun tube from travel lock and place travel lock in lower/unlock position.
- d. Unlock cab traverse lock.
- e. Set DCU POWER switch to ON.
- f. Place hydraulic control box POWER switch to ON.
- g. Set GUN SERVO switch to ON.

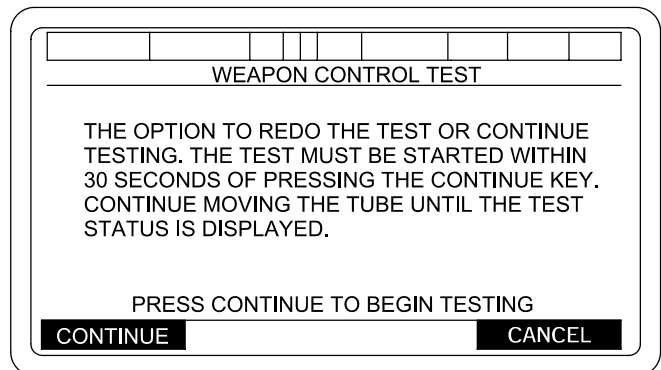
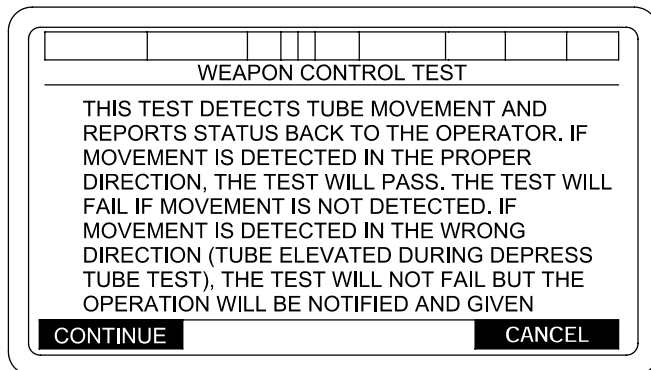
This test will be used when directed by troubleshooting procedures, or when the tachometers appear to malfunction.

If test results indicate tachometer malfunctions, notify unit maintenance personnel for corrective actions.

Elevating gun tube will cause numbers to appear/change (as CHIEF OF SECTION control handles are elevated) in EL TACH box. If numbers do not change/move, your TACH is not working.

Select WEAPON CONTROL TEST from MAINTENANCE MODE SELECT menu.

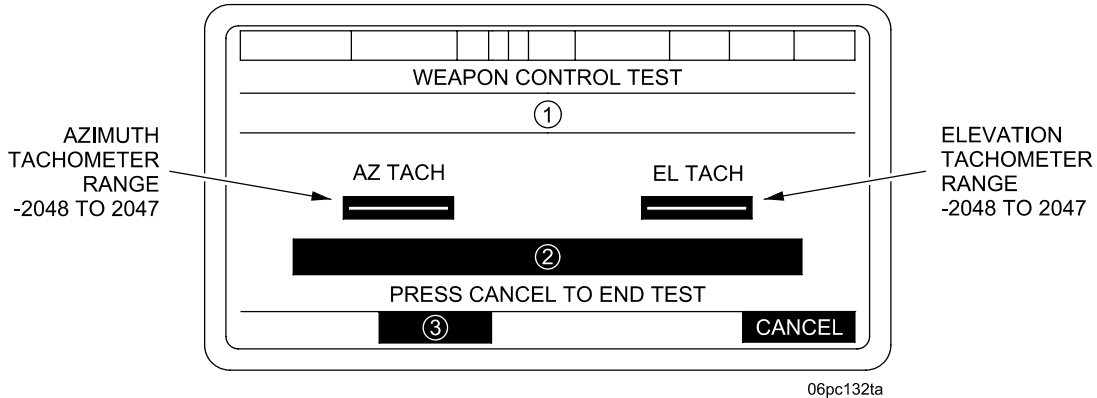
The first menu to be displayed will be the WEAPON CONTROL INSTRUCTIONS menu and may contain two pages of instructions. The second display will be the WEAPON CONTROL TEST BEGIN menu followed by several WEAPON CONTROL TEST menus.



06pc131ta

N-9 AFCS AND PDIU FAULT DETECTION - CONTINUED

N-9.4 Weapon Control Test - Continued



CONTINUED: Go to next text phase

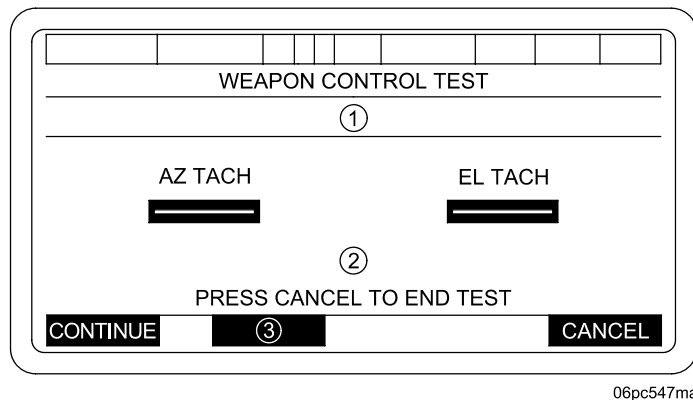
- ③ REDO: Rerun the current test phase
- CANCEL: End the test

Table N-19 shows messages displayed in Fields ① and ② for the beginning of the WEAPON CONTROL TEST. Table N-20 shows WEAPON CONTROL TEST status messages.

Table N-19. Weapon Control Test Display

TEST PHASE	1	2
1	"ELEVATE TUBE TEST"	"ELEVATE TUBE APPROX 100 MILS"
2	"DEPRESS TUBE TEST"	"DEPRESS TUBE APPROX 100 MILS"
3	"TRAVERSE TUBE RIGHT TEST"	"TRAVERSE TUBE RIGHT APPROX 100 MILS"
4	"TRAVERSE TUBE LEFT TEST"	"TRAVERSE TUBE LEFT APPROX 100 MILS"

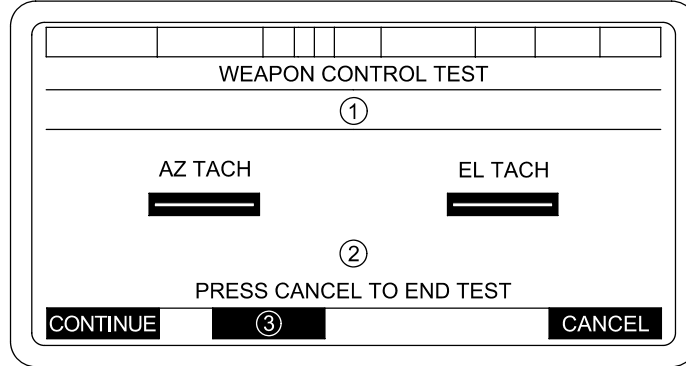
Elevating gun tube will cause numbers to appear/change (as CHIEF OF SECTION control handles are elevated) in EL TACH box. If numbers do not change/move, your TACH is not working.



N-9 AFCS AND PDIU FAULT DETECTION - CONTINUED

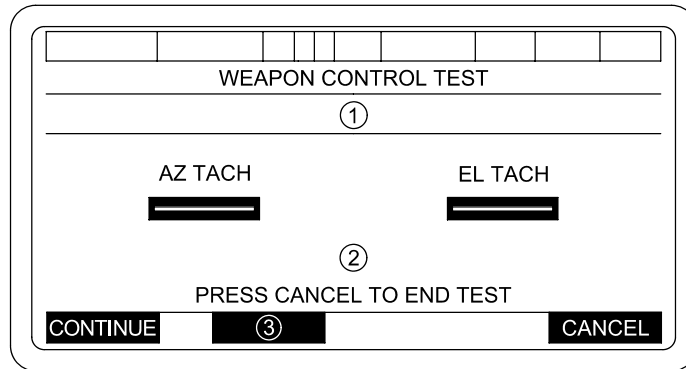
N-9.4 Weapon Control Test - Continued

Depressing gun tube will cause numbers to appear/change (as CHIEF OF SECTION control handles are depressed) in EL TACH box. If numbers do not change/move, your TACH is not working.



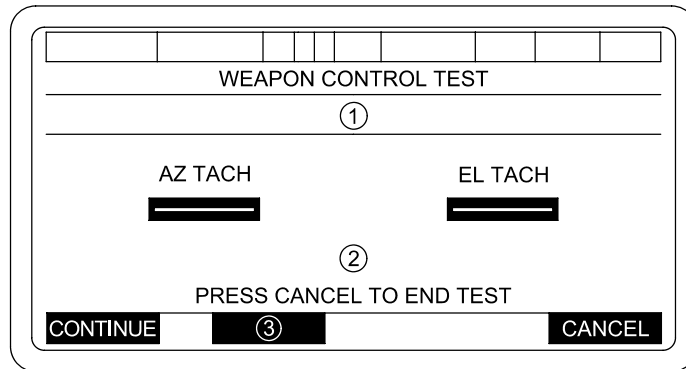
06pc547ma

Traversing gun tube to right will cause numbers to appear/change (as CHIEF OF SECTION control handles are rotated to right) in AZ TACH box. If numbers do not change/move, your TACH is not working.



06pc547ma

Traversing gun tube to left will cause numbers to appear/change (as CHIEF OF SECTION control handles are rotated to left) in AZ TACH box. If numbers do not change/move, your TACH is not working.



06pc547ma

N-9 AFCS AND PDIU FAULT DETECTION - CONTINUED**N-9.4 Weapon Control Test - Continued**

The following table describes the status messages to be displayed in Fields (1) and (2) during the Weapon Control Test.

Table N-20. Weapon Control Test Status Messages

TEST PHASE	1	2	3
1	"ELEVATE TUBE TEST"	"ERROR IN TUBE MOVEMENT SELECT CONTINUE, REDO, OR CANCEL"	"REDO"
1	"ELEVATE TUBE TEST"	"TEST FAILED - PRESS REDO TO RE-RUN OR CONTINUE FOR NEXT TEST PHASE"	"REDO"
1	"ELEVATE TUBE TEST"	"TEST PASSED PRESS CONTINUE FOR NEXT TEST PHASE"	BLANK
2	"DEPRESS TUBE TEST"	"ERROR IN TUBE MOVEMENT SELECT CONTINUE, REDO, OR CANCEL"	"REDO"
2	"DEPRESS TUBE TEST"	"TEST FAILED - PRESS REDO TO RE-RUN OR CONTINUE FOR NEXT TEST PHASE"	"REDO"
2	"DEPRESS TUBE TEST"	"TEST PASSED - PRESS CONTINUE FOR NEXT TEST PHASE"	BLANK
3	"TRAVERSE TUBE LEFT TEST"	"TEST PASSED PRESS CONTINUE FOR NEXT TEST PHASE"	BLANK
3	"TRAVERSE TUBE LEFT TEST"	"ERROR IN TUBE MOVEMENT SELECT CONTINUE, REDO, OR CANCEL"	"REDO"
3	"TRAVERSE TUBE LEFT TEST"	"TEST FAILED - PRESS REDO TO RE-RUN OR CONTINUE FOR NEXT TEST PHASE"	"REDO"
4	"TRAVERSE TUBE RIGHT TEST"	"ERROR IN TUBE MOVEMENT SELECT CONTINUE, REDO, OR CANCEL"	"REDO"
4	"TRAVERSE TUBE RIGHT TEST"	"TEST FAILED - PRESS REDO TO RE-RUN OR CONTINUE TO REPEAT TEST"	"REDO"
4	"TRAVERSE TUBE RIGHT TEST"	"TEST PASSED PRESS CONTINUE TO REPEAT TEST"	BLANK

N-9 AFCS AND PDIU FAULT DETECTION - CONTINUED

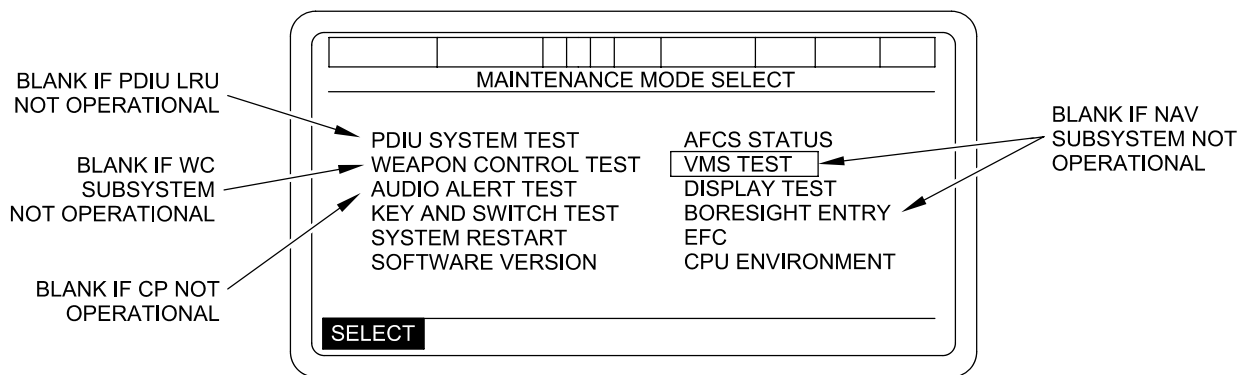
N-9.5 Vehicle Motion Sensor Test.

This test is designed to check Vehicle Positioning System. The VMS provides signals to the AFCS that aid in the location and positioning of vehicle (coordinates).

This test SHOULD be performed under standard vehicle setup conditions (para N-9.3). This test is used whenever directed by troubleshooting procedures, or when NAV DEGRADED is displayed on the DU and you get ZUPT requests after about 4 minutes of travel.

If test results indicate that VMS is not properly functioning, notify unit maintenance personnel for corrective action.

- a. Select VMS TEST from MAINTENANCE MODE SELECT menu.



06pc134tb

N-9 AFCS AND PDIU FAULT DETECTION - CONTINUED

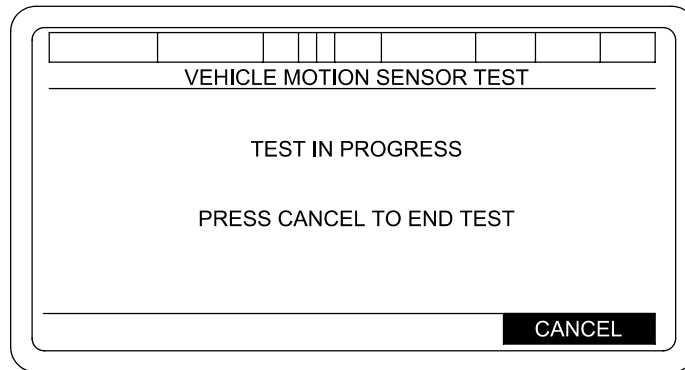
N-9.5 Vehicle Motion Sensor Test - Continued

This test is run automatically.

- b. Depressing softkey under CANCEL will end test and take you back to MAINTENANCE MODE SELECT menu.

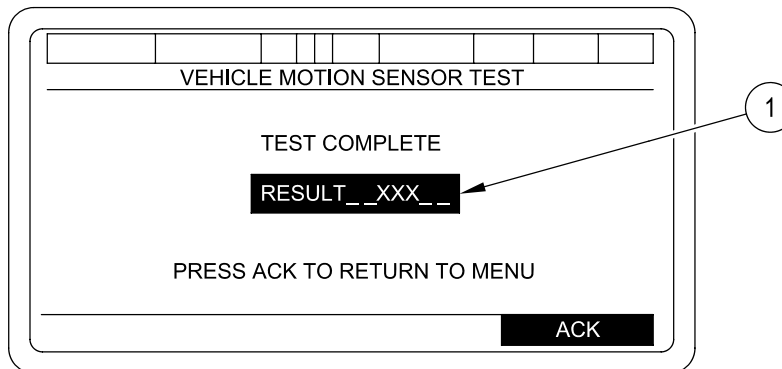
NOTE

VMS test does not restore use of the VMS by the DRUH. Therefore, NAV SUBSYSTEM STATUS may show "VMS BIT FAIL" even though the result of VMS test is "VMS GOOD". When the DRUH has been stationary for 5 minutes, the AFCS will attempt to restore use of the VMS by the DRUH. If the attempt was successful, NAV SUBSYSTEM STATUS will change to "VMS BIT OK".



06pc548ma

If test results indicate a fault, determine if this degraded mode is acceptable. If not, notify unit maintenance.



06pc549ma

- 1 Test results can show any of the following:

RESULT -- VMS GOOD

RESULT -- VMS BAD

RESULT -- CAB SIDE VMS MODEM BAD

RESULT -- CHASSIS SIDE VMS MODEM BAD

- c. When test is completed, depress softkey under ACK. This will take you back to MAINTENANCE MODE SELECT menu.

N-9 AFCS AND PDIU FAULT DETECTION - CONTINUED

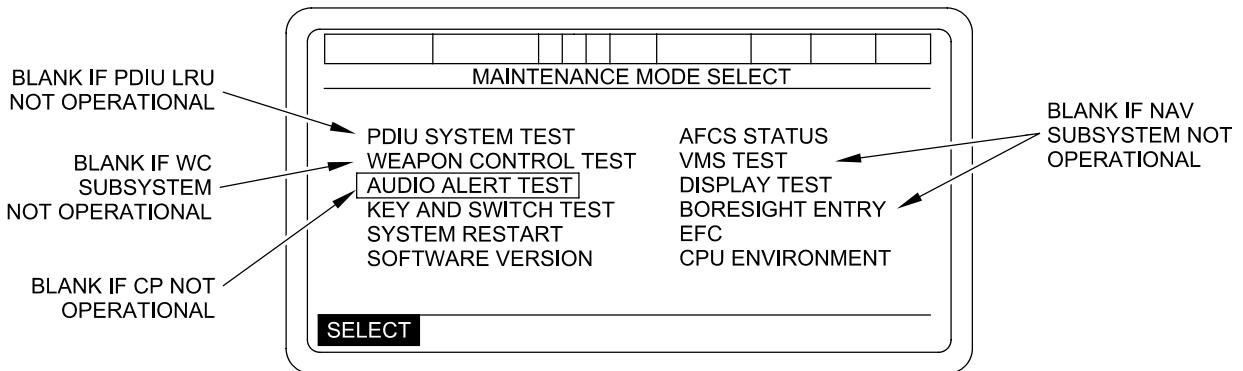
N-9.6 Audio Alert Test.

This test checks the AFCS communications system fire mission alert notification. During this test, all crewmember's intercom control boxes should emit a repeating tone for 5 seconds. Checks of CVC helmets and intercoms should be performed.

This test should be performed under the standard vehicle setup conditions.

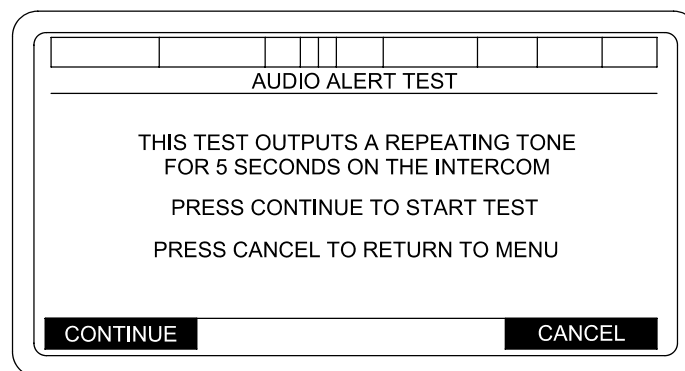
This test is used when directed by troubleshooting procedures, or if testing intercom/CVC is desirable.

- a. Select AUDIO ALERT TEST from MAINTENANCE MODE SELECT menu. Press SELECT KEY. AUDIO ALERT TEST is displayed.



06pc135tb

- b. Depressing softkey under CANCEL will take you back to MAINTENANCE MODE SELECT menu.
- c. Depressing softkey under CONTINUE will start your AUDIO ALERT TEST.
- d. When your AUDIO ALERT TEST is completed, you may depress softkey under CONTINUE to repeat test.
- e. When test is completed, depress softkey under CANCEL to return to MAINTENANCE MODE SELECT menu.
- f. If there is fault with your intercom/AFCS, notify unit maintenance.



06pc550ma

N-9 AFCS AND PDIU FAULT DETECTION - CONTINUED

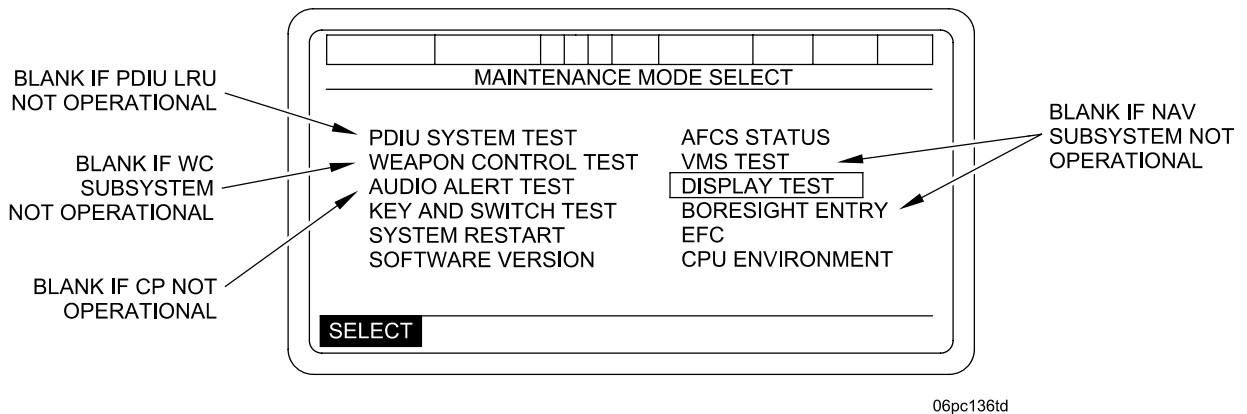
N-9.7 Display Test.

This test checks the uniform color contrast in the screen on the display unit. Information appearing on the screen may become too light to read.

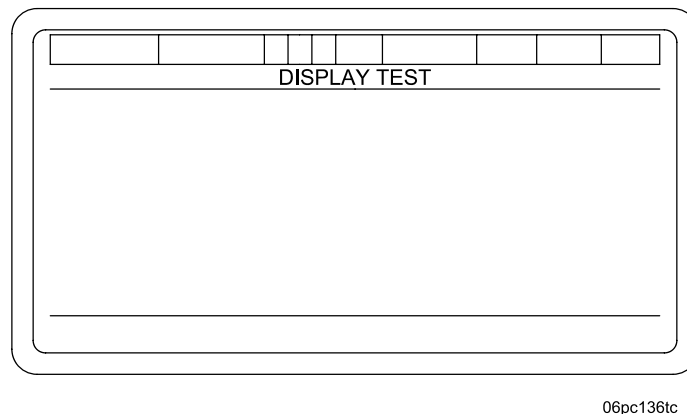
This test should be performed under standard vehicle setup condition (para N-9.3).

This test will be used when directed by troubleshooting procedures, or if testing of DCU screen is desirable.

- a. Select DISPLAY TEST from MAINTENANCE MODE SELECT menu. Press SELECT key.



- b. Your display (EL PANEL) will become highlighted for 2 seconds. After 2 seconds, your EL PANEL will return to normal. You may reselect DISPLAY TEST if required.
- c. If there are some spots on your EL PANEL that did not light up, determine if this degraded mode is acceptable. If this is not acceptable, notify unit maintenance.



N-9 AFCS AND PDIU FAULT DETECTION - CONTINUED

N-9.8 Key and Switch Test.

NOTE

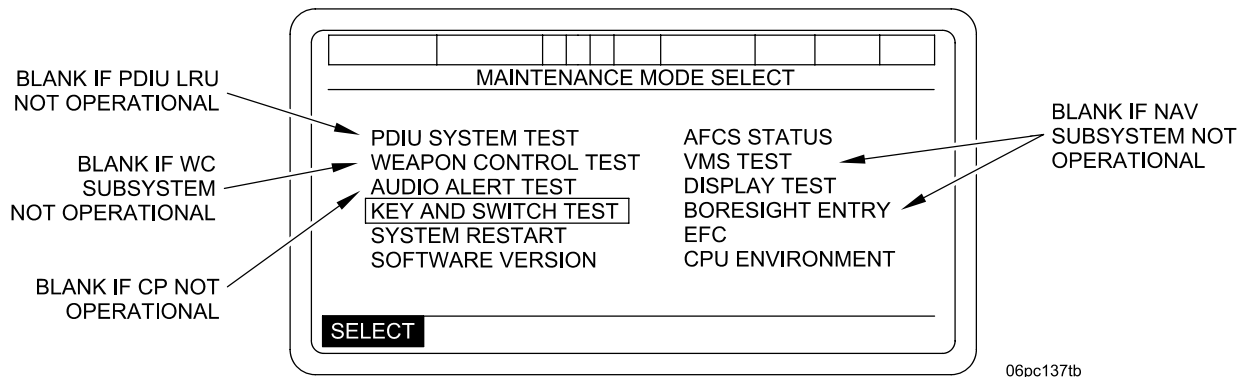
AFCS must be powered up at least 5 minutes prior to performing this test.

This test checks the response of each key and toggle switch on the display panel. The key marked T is for the embedded trainer switch and the key marked S is the GUN SERVO switch. Ensure that NOTES are observed when conducting this test.

This test should be performed under the standard vehicle setup condition (para N-9.3).

This test will be used, when directed by troubleshooting procedures, or if malfunctions of keypad and switches are apparent.

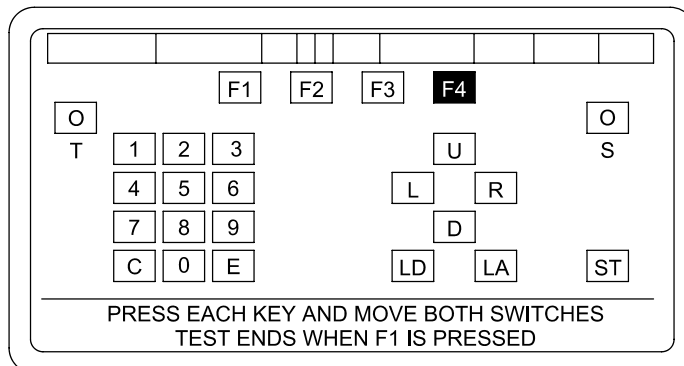
Select KEY AND SWITCH TEST from MAINTENANCE MODE SELECT menu. Press SELECT key.



06pc137tb

NOTE

- Test ends when F1 (softkey) is depressed. Make sure you depress F1 softkey last while performing this test.
 - Do not place DU POWER switch to OFF during this test.
- a. Depress each key in turn (including arrow keys, softkeys, LOAD, LAY, and STOW keys) and place both switches shown to ON/OFF for testing. As each key is depressed, it will be highlighted.
 - b. As each switch/toggle is moved, it will move up or down on your EL PANEL.
 - c. If fault is indicated with your keypad, switches, softkeys, arrow keys, LOAD, LAY, or STOW keys, notify unit maintenance.



06pc551ma

N-9 AFCS AND PDIU FAULT DETECTION - CONTINUED

N-9.9 Boresight Angle Entry Test.

NOTE

If you accidentally enter this mode, you must exit immediately by pressing the CANCEL key.
This capability is for use by unit maintenance personnel only. Operators must not use this selection.

WARNING

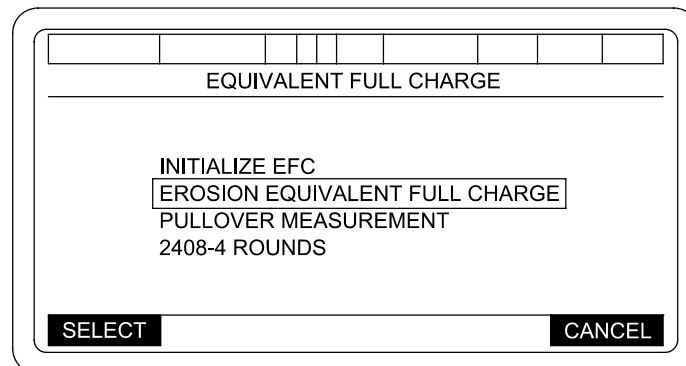
Selection of boresight angle entry will be used by unit maintenance personnel to input correction to NAV SUBSYSTEM boresight. Entry of improper data into boresight angle entry menu can cause gun to be laid incorrectly. This could result in injury or death to personnel down range.

N-9.10 Equivalent Full Charge (EFC).

EFC data is maintained by the AFCS. It consists of a cumulative set which contains the total number of rounds fired by the gun using legal charge and the accumulated EFC based on the total number of rounds fired. The AFCS saves the data in the non-volatile memory during normal AFCS power down sequencing.

The calculation of EFC is done automatically for POC/FDC directed fire missions when the operator presses the softkey under the VERIFIED prompt on the VERIFY EXPENDED AMMO menu. However, should the operator not be able to VERIFY that the specified ammunition has been fired, or fire missions have been fired with data supply by voice radios, or direct fire missions have occurred, then the operator will be required to update the AFCS Ammunition Inventory and the EFC.

To update the EFC, access the SETUP AND INFORMATION menu, place the cursor on MAINTENANCE and press softkey under SELECT prompt. The MAINTENANCE MODE SELECT menu will appear. Place cursor on EFC and press softkey under SELECT prompt. The EQUIVALENT FULL CHARGE Menu will be displayed.



06pc281t

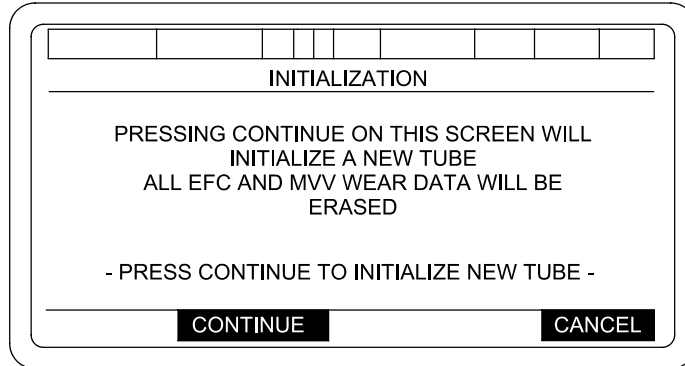
Each of the four functions will now be described separately.

N-9 AFCS AND PDIU FAULT DETECTION - CONTINUED

N-9.10 Equivalent Full Charge (EFC) - Continued

N-9.10.1 Initialize EFC.

This function is used to initialize EFC data in the event a new cannon tube is placed on the vehicle.



06pc281ta

If you press CONTINUE, the AFCS shall display the operator prompt "ARE YOU SURE?" "YES" "NO".

If YES is pressed, the following actions occur automatically and the display will return to the EQUIVALENT FULL CHARGE menu:

- Pullover Gauge Measurement is reset to 6.100 (This also causes EFC Erosion to reset to Zero)
- MVV Wear Database is reset to Zero
- 2408-4 Rounds Information is reset to Zero

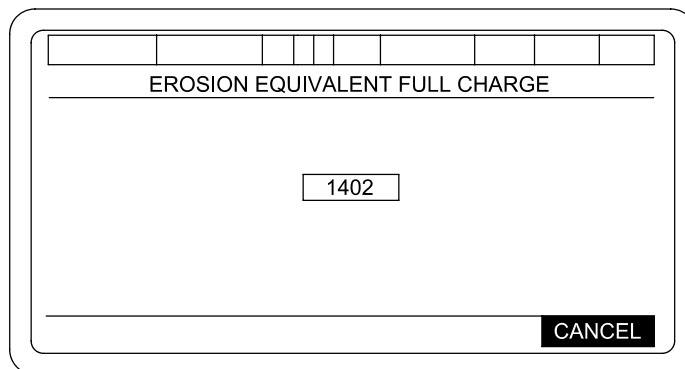
If NO is pressed, the display will return to the EQUIVALENT FULL CHARGE menu.

N-9.10.2 Erosion Equivalent Full Charge.

NOTE

The maximum value of EFC displayed shall not exceed 2700.

This function is used to view the Current EFC Erosion Count of the weapon.



06pc282t

When the CANCEL softkey is pressed, the display shall return to the EQUIVALENT FULL CHARGE menu.

N-9 AFCS AND PDIU FAULT DETECTION - CONTINUED

N-9.10 Equivalent Full Charge (EFC) - Continued

N-9.10.3 Pullover Measurement.

This function is used to view the Current Pullover Gauge Measurement or input a new Pullover Gauge Measurement.

PULLOVER MEASUREMENT

6.101

ENTER A VALUE FROM 6.100 TO 6.205
-PRESS ENT KEY-

CANCEL

06pc282ta

The operator shall only be allowed to enter a Pullover Measurement of 6.100 to 6.205. If the operator enters a value less than 6.100 or greater than 6.205, the AFCS shall display the operator warning “VALUE TOO BIG” “ACK” or “VALUE TOO SMALL” “ACK”. When the ACK softkey is pressed, the display shall return to the previously stored value.

When the ENTER key is pressed, the AFCS shall display the operator prompt “ARE YOU SURE?” “YES” “NO”.

If YES is pressed, then the AFCS shall convert the Pullover Gauge Measurement into the equivalent EFC Erosion count and update the EFC Erosion count in the MVV Wear Database. The display will then return to the EQUIVALENT FULL CHARGE menu.

If NO is pressed, the screen will return to the previously stored values for re-entry of data.

N-9.10.4 2408-4 Rounds.

This screen allows four separate and distinct functions:

The first allows update of Total Rounds (which shall not affect EFC Erosion) to match the Manual 2408-4. The second permits entry of rounds fired during a period in which the AFCS was inoperable. The third allows adjustment of rounds entered during Verification or “Other” missions not actually fired. The fourth function allows initialization of a new ACU. When coupled with Pullover Gauge, 2408-4 TOT RNDS PRIOR TO PULLOVER GAUGE, AND “+/- RNDS”, the last known EFC Erosion can be duplicated.

N-9 AFCS AND PDIU FAULT DETECTION - CONTINUED

N-9.10 Equivalent Full Charge (EFC) - Continued

N-9.10.4 2408-4 Rounds - Continued

NOTE

To maintain accuracy and consistency, the AFCS database must be restored exactly as it was at the time the AFCS became inoperable.

2408-4 ROUNDS			
TUBE		TOT RND	0
PROP/CHARGE		+/- RND	TOT RND
M3A1	3G	0	0
M3A1	4G	0	0
M3A1	5G	0	0
M4A1	3W	0	0
M4A1	4W	0	0

MORE BELOW

SELECT **CANCEL**

06pc283t

NOTE

Scrolling shall be enabled, with MORE BELOW and MORE ABOVE appearing as appropriate.

When +/- RND is highlighted and the SELECT softkey is pressed, the following will be displayed:

2408-4 ROUNDS			
TUBE		TOT RND	2
PROP/CHARGE		+/- RND	TOT RND
M232	3H		2

TYPE +/- RND FIRED
BETWEEN -2 AND 99997
+0
-PRESS ENT KEY-

+/- **CANCEL**

06pc283ta

N-9 AFCS AND PDIU FAULT DETECTION - CONTINUED

N-9.10 Equivalent Full Charge (EFC) - Continued

N-9.10.4 2408-4 Rounds - Continued

When TOT RNDS is highlighted and the SELECT softkey is pressed, the following will be displayed:

2408-4 ROUNDS									
TUBE TOT RNDS					0				
PROP/CHARGE		+/- RNDS			TOT RNDS				
M3A1		3G			0				
TYPE TOTAL RNDS FIRED									
BETWEEN 0 AND 99999									
<input type="text" value="+0"/>									
-PRESS ENT KEY-									
									CANCEL

06pc284t

Input new value and press ENTER to accept value. when ENTER has been pressed, the display will return to the 2408-4 ROUNDS screen.

N-9 AFCS AND PDIU FAULT DETECTION - CONTINUED**N-9.11 AFCS and PDIU Abbreviations.**

ABBREVIATION	NAME
ACU	AFCS COMPUTER UNIT
AFCS	AUTOMATIC FIRE CONTROL SYSTEM
AOF	AZIMUTH OF FIRE
ASIP	ADVANCED SYSTEM IMPROVEMENT PROGRAM
AZ	AZIMUTH
AUXA	EXTERNAL BATTERY-A
AUXB	EXTERNAL BATTERY-B
AZ/EL TACHS	AZIMUTH AND ELEVATION TACHOMETERS
AZTACH	AZIMUTH TACHOMETER
BATT	BATTERY
BB2	BRUSH BLOCK #2
BB6	BRUSH BLOCK #6
BB7	BRUSH BLOCK #7
BCS	BATTERY COMPUTER SYSTEM
BC	BALLISTIC COMPUTATION
BIT	BUILT IN TEST
BPSL	BYPASS SOLENOID
BPV	BYPASS VALVE
CBLS	CABLES
CDP	CONDITION DIPOLE
CHKFIRE	CHECK FIRE
CFN	COOLING FAN
CLCS	CLUTCH SOLENOID
CLV	CLUTCH VALVE
COMMO	COMMUNICATION
COS	CHIEF OF SECTION
COSCH	CHIEF OF SECTION CONTROL HANDLE
COSCH VLF	CHIEF OF SECTION CONTROL HANDLE VELOCITY FUSE
CP	COMMUNICATIONS PROCESSING
CPCI	COMPUTER PROGRAM CONFIGURATION ITEM
CRSH	CURRENT SHUNT
CTRL	CONTROL
CTSW	COOLING TEMPERATURE SWITCH
DAGR	DEFENSE ADVANCED GPS RECEIVER
DLY	DELAY
DTG	DATE TIME GROUP
DU	DISPLAY UNIT
DRU	DYNAMIC REFERENCE UNIT
DRUH	DYNAMIC REFERENCE UNIT HYBRID
EL	ELEVATION

N-9 AFCS AND PDIU FAULT DETECTION - CONTINUED**N-9.11 AFCS and PDIU Abbreviations - Continued**

ABBREVIATION	NAME
ELHP	ELEVATION HANDPUMP
ELSL	ELEVATION SELECT SOLENOID
ELSV	ELEVATION SERVO VALVE
ELTACH	ELEVATION TACHOMETER
ELTRUN	ELEVATION TRUNNION
ELV	ELEVATION SELECT VALVE
EOM	END OF MISSION
EQ	EQUILIBRATION
EQA	EQUILIBRATION ASSEMBLY
EQACC	EQUILIBRATION ACCUMULATOR
EQHP	EQUILIBRATOR HANDPUMP
EQMANIFOLD	EQUILIBRATION MANIFOLD
EQ CHARGE VALVE	EQUILIBRATOR CHARGE VALVE
FDC	FIRE DIRECTION CENTER
FIL	FILTER
FILA	FILTER ASSEMBLY
FIREMSN	FIRE MISSION
FLOM	FLOWMETER
FLU	FLUID
FLUSN	FLUID LEVEL SENSOR
FPF	FINAL PROTECTIVE FIRE
GCH	GUNNER'S CONTROL HANDLE
GNR	GUNNER
GPS	GLOBAL POSITIONING SYSTEM
HCB	HYDRAULIC CONTROL BOX
HPUMP	HANDPUMP
HYD	HYDRAULIC
HYM	HYDRAULIC PUMP ELECTRIC MOTOR
HYP	HYDRAULIC PUMP
HYPR	HYDRAULIC POWER RELAY
IAW	IN ACCORDANCE
IFS	INDUCTIVE FUZE SETTER
INP	INPUT
LRU	LINE REPLACEABLE UNIT
MO	MOVE ORDER
MSL	MODE SELECT SOLENOID
MSV	MODE SELECT VALVE
MVS	MUZZLE VELOCITY SENSOR
MVV	MUZZLE VELOCITY VARIANCES
NAV	NAVIGATION
NA	NAV ASSIST

N-9 AFCS AND PDIU FAULT DETECTION - CONTINUED**N-9.11 AFCS and PDIU Abbreviations - Continued**

ABBREVIATION	NAME
NRZ	NON-RETURN TO ZERO
OLSN	OVERLOAD SENSOR
PCU	POWER CONDITIONER UNIT
PDCU	PDFCS COMPUTER UNIT
PDI	PROGNOSTIC DIAGNOSTIC INTERFACE
PDIU	PROGNOSTIC DIAGNOSTIC INTERFACE UNIT
PIA	PLATFORM INTERFACE ADAPTER
PIK	PLATFORM INTEGRATION KIT
PLGR	PRECISION LIGHTWEIGHT GPS RECEIVER
PRESS	PRESSURE
PWR	POWER
PXDCR	PRESSURE TRANSDUCER
REFIL	RETURN FILTER
RR	RADIO RACK
SFIL	SUPPLY FILTER
SH	SHUNT
SIP	SYSTEM IMPROVEMENT PROGRAM
SL	SOLENOID
SN	SENSOR
SR	SLIP RING
STE-X	SIMPLIFIED TEST EQUIPMENT-EXPANDED
SV	SERVO
SW	SWITCH
SYS	SYSTEM
TEMP	TEMPERATURE
TF XXI	TASK FORCE TWENTY-ONE
TOT	TIME ON TARGET
TRAV	TRAVERSE
TRAV GEAR	TRAVERSING GEAR
TRDM	TRAVERSE DRIVE MECHANISM
TRLSL	TRAVERSE LIMIT SOLENOID
TRLSW	TRAVERSE LIMIT SWITCH
TRLV	TRAVERSE LIMIT VALVE
TRSL	TRAVERSE SELECT SOLENOID
TRSV	TRAVERSE SERVO VALVE
TRV	TRAVERSE SELECT VALVE
TSN	TEMPERATURE SENSOR
TTCBL	TUBE TEMPERATURE SENSOR GFE CABLE
TTTSN	TUBE TEMPERATURE SENSOR

N-9 AFCS AND PDIU FAULT DETECTION - CONTINUED**N-9.11 AFCS and PDIU Abbreviations - Continued**

ABBREVIATION	NAME
TXDCR	TEMPERATURE TRANSDUCER
USRDEF	USER DEFINED
VMS	VEHICLE MOTION SENSOR
VMSC	VEHICLE MOTION SENSOR MODEM-CAB
VMSH	VEHICLE MOTION SENSOR MODEM-HULL
VLF	VELOCITY FUSES
VT	VARIABLE TIME
WC	WEAPONS CONTROLLER
WPN	WEAPON
WTSL	WARMUP TEMPERATURE SOLENOID
WTSW	WARMUP TEMPERATURE SWITCH
WTV	WARMUP TEMPERATURE VALVE

N-9 AFCS AND PDIU FAULT DETECTION - CONTINUED

N-9.12 Software Version/Configuration Display.

To view detailed software configuration information for each Computer Program Configuration Item (CPCI) move cursor to SOFTWARE VERSION on the MAINTENANCE MODE SELECT menu.

NOTE

- Information displayed from the DRUH can be interpreted as version configuration data.
- When a LRU/CPCI other than the DCU is reported with an indirect configuration, then the system will run in a degraded mode and will declare the LRU/CPCI as unavailable.
- Initially, the ACQUIRED information of the display will give the boot loader, system software version and build data for each computer program configuration item that is acceptable to the system software configuration.
- If the CPCI is not acceptable, there will be an asterisk (*) to the left of the CPCI. If the asterisk is present, this will cause the system to operate in the DEGRADED mode unless the asterisk appears next to DCU, then the system will only operate in the maintenance mode.
- To check which version of software is acceptable, press softkey under EXPECTED.
- If a CPCI is blank, the version of software loaded is acceptable with any system configuration.
- If uploading of software is required, notify unit maintenance.

N-9 AFCS AND PDIU FAULT DETECTION - CONTINUED

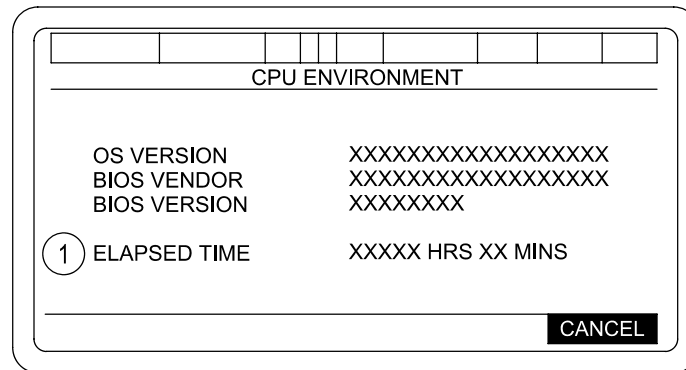
N-9.13 CPU Environment Display.

This display allows the operator to view system related parameters as follows:

Inputs:

1. Operating System Version (O/S)
2. BIOS Information (Vendor & Version)
3. Elapsed Time Meter (in hours)

The tactical software receives the data listed above from the ACU and presents this information to the operator on the DU. This information is used by maintenance personnel.



06pc428ma

- ① The "ELAPSED TIME" line is not present on a PDCU system because the PDCU uses a mechanical timer to perform this function.

N-10 SYMPTOM INDEX.

NOTE

- Before you use this troubleshooting table, be sure you have performed all applicable operating checks in Chapter 2.
- For corrective actions of malfunctions not listed in this table, notify unit maintenance.
- Wherever the word lubricate appears, see Appendix I.

The following symptom index is to assist you in locating the correct troubleshooting procedure quickly.

	Troubleshooting Procedure Page
AFCS	
AFCS – software lockup	N-246
Cab does not traverse freely under AFCS control	N-246
Cab creeps under AFCS control	N-247
Gun tube does not move to LOAD position when LOAD is selected under AFCS control	N-248
Gun tube does not move to STOW position when STOW is selected under AFCS control	N-249
Gun tube does not move to LAY position when LAY is selected under AFCS control	N-250
DU does not power up	N-251
Training mode cannot be selected	N-251
AFCS is not able to receive a mission	N-251
No audible alert for COS or crew (DU power is On)	N-252
EL Panel messages are garbled/hard to read	N-252
DU softkeys/arrow keys/keypad switches, LOAD, LAY, or STOW keys do not respond properly	N-252
NAV subsystem fault (degraded mode) is indicated	N-252
DU subsystem fault (degraded mode) is indicated	N-253
WPN subsystem fault (degraded mode) is indicated	N-253
PDIU subsystem fault (degraded mode) is indicated	N-253
PCU subsystem fault (degraded mode) is indicated	N-253
MVS subsystem fault (degraded mode) is indicated	N-254
AFCS position drifts/DRUH “OP FAIL” is indicated	N-255

Table N-21. TROUBLESHOOTING

MALFUNCTION**TEST OR INSPECTION****CORRECTIVE ACTION****AFCS****WARNING**

Before troubleshooting AFCS gun positioning faults, make sure immediate area around and in the howitzer is clear of nonessential personnel and that no other equipment is within the 360 degree radius of the cab. Before moving gun servo switch to the ON position, announce loudly to everyone in immediate area, "AFCS POWER ON". Serious injury or death, and/or equipment damage could result.

1. AFCS - SOFTWARE LOCKUP

Step 1. Place DU POWER switch OFF and wait at least 5 seconds.

Step 2. Place DU POWER switch ON and restart system. If lockup persists, notify unit maintenance.

2. CAB DOES NOT TRAVERSE FREELY UNDER AFCS CONTROL.

NOTE

Verify following: main drive gears and gun tube are unobstructed and main hydraulic pressure is at 1925 psi \pm 50 psi.

Step 1. Verify that GUN SERVO light illuminates when LAY button is pressed.

a. If not ON, place gun switch ON.

b. If switch is ON, go to step 2.

Step 2. Check to see if you are in NORMAL OPERATIONS mode.

a. Verify that TRAVERSE mode switch is in the POWER position. Check EL Panel for mode display. Status line will indicate mode.

If not, enter proper mode.

b. If in NORMAL OPERATIONS mode, check EL Panel fields.

(1) Verify that LOAD, LAY, or STOW fields are displayed on EL Panel of DU when GUN SERVO SWITCH is on.

(2) LOAD, LAY, or STOW fields (graphics) are highlighted when displayed.

Gun is already in proper position.

(3) LOAD, LAY, or STOW fields (graphics) are displayed in normal form.

Reselect proper functional key. If cab does not traverse freely, notify unit maintenance. Complete mission in DEGRADED mode.

(4) LOAD, LAY, or STOW fields are not displayed

If fields are not displayed, go to step 3.

Table N-21. TROUBLESHOOTING - Continued

MALFUNCTION	TEST OR INSPECTION	CORRECTIVE ACTION
AFCS - Continued		
Step 3.	Check DU for fault indication.	<ul style="list-style-type: none"> a. GUN SERVO indicator not lit during LOAD/LAY/STOW operation. Run PDIU system test (para N-9.3) and notify unit maintenance. Complete mission in DEGRADED mode. b. FAULT indicator lit. Check status line for faulty hardware, run PDIU system test (para N-9.3) and notify unit maintenance. Complete mission in DEGRADED mode.
3. CAB CREEPS UNDER AFCS CONTROL.	Step 1. Verify that GUN SERVO ON/OFF switch is ON.	<ul style="list-style-type: none"> a. If not ON, place switch ON. b. If switch is ON, go to step 2.
	Step 2. Check to see if you are in NORMAL OPERATIONS mode.	<ul style="list-style-type: none"> a. Check EL Panel for mode display. If not in proper mode, enter proper mode. b. If in NORMAL OPERATIONS mode, check EL Panel fields. <ul style="list-style-type: none"> (1) Verify that LOAD, LAY, or STOW fields are displayed on EL Panel of DU. (2) LOAD, LAY, or STOW fields are highlighted, when displayed. Gun is already in proper position, cab should not creep. If cab still creeps, notify unit maintenance. Complete mission in DEGRADED mode. (3) LOAD, LAY, or STOW fields are displayed properly. Reselect proper functional key. If cab still creeps, notify unit maintenance. (4) LOAD, LAY, or STOW fields are not displayed. If fields are not displayed, go to step 3.
	Step 3. Check DU for fault indication.	<ul style="list-style-type: none"> a. GUN SERVO indicator not lit during LOAD/LAY/STOW operation. Run PDIU system test (para N-9.3) and notify unit maintenance. Complete mission in DEGRADED mode. b. FAULT indicator lit. Check status line on EL Panel for faulty hardware, run PDIU system test (para N-9.3), and notify unit maintenance. Complete mission in DEGRADED mode.

Table N-21. TROUBLESHOOTING - Continued

MALFUNCTION**TEST OR INSPECTION****CORRECTIVE ACTION****AFCS - Continued**

4. GUN TUBE DOES NOT MOVE TO LOAD POSITION WHEN LOAD IS SELECTED UNDER AFCS CONTROL.

Step 1. Verify that GUN SERVO ON/OFF switch is ON.

- a. If not ON, place switch ON.
- b. If switch is ON, go to step 2.

Step 2. Check to see if you are in NORMAL OPERATIONS mode.

- a. Verify that TRAVERSE mode switch is in the POWER position. Check EL Panel for mode display.

If not in proper mode, enter proper mode.

- b. If in NORMAL OPERATIONS mode, check EL Panel fields.

(1) Verify that LOAD, LAY or STOW fields are displayed on EL Panel of DU.

(2) LOAD, LAY, or STOW fields are highlighted, when displayed.

Gun is already in proper position.

(3) LOAD, LAY, or STOW fields are displayed properly.

Reselect proper functional key. If gun tube still does not move to LOAD position, notify unit maintenance. Complete mission in DEGRADED mode.

(4) LOAD, LAY, or STOW fields are not displayed.

If fields are not displayed, go to step 3.

Step 3. Check DU for fault indication.

- a. GUN SERVO indicator not lit during LOAD/LAY/STOW operation.

Run PDIU system test (para N-9.3) and notify unit maintenance. Complete mission in DEGRADED mode.

- b. FAULT indicator lit.

Check status line on EL Panel for faulty hardware, run PDIU system test (para N-9.3), and notify unit maintenance. Complete mission in DEGRADED mode.

Table N-21. TROUBLESHOOTING - Continued

MALFUNCTION	TEST OR INSPECTION	CORRECTIVE ACTION
AFCS - Continued		
5. GUN TUBE DOES NOT MOVE TO STOW POSITION WHEN STOW IS SELECTED UNDER AFCS CONTROL.	<p>Step 1. Verify that GUN SERVO ON/OFF switch is ON.</p> <ul style="list-style-type: none"> a. If not ON, place switch ON. b. If switch is ON, go to step 2. 	
	<p>Step 2. Check to see if you are in NORMAL OPERATIONS mode.</p> <ul style="list-style-type: none"> a. Verify that TRAVERSE mode switch is in the POWER position. Check EL Panel for mode display. If not in proper mode, enter proper mode. b. If in NORMAL OPERATIONS mode, check EL Panel fields. <ul style="list-style-type: none"> (1) Verify that LOAD, LAY, or STOW fields are displayed on EL Panel of DU. (2) LOAD, LAY, or STOW fields are highlighted when displayed. Gun tube is already in proper position. (3) LOAD, LAY, or STOW fields are displayed properly. Reselect proper functional key. If gun tube does not traverse/elevate freely, notify unit maintenance. Complete mission in DEGRADED mode. (4) LOAD, LAY, or STOW fields are not displayed. If fields are not displayed, go to step 3. 	
	<p>Step 3. Check DU for fault indication.</p> <ul style="list-style-type: none"> a. GUN TUBE SERVO indicator not lit during LOAD/LAY/STOW operation. Run PDIU system test (para N-9.3) and notify unit maintenance. Complete mission in DEGRADED mode. b. FAULT indicator lit. Check status line on EL Panel for faulty hardware, run PDIU system test (para N-9.3), and notify unit maintenance. Complete mission in DEGRADED mode. 	

Table N-21. TROUBLESHOOTING - Continued

MALFUNCTION**TEST OR INSPECTION****CORRECTIVE ACTION****AFCS - Continued**

6. GUN TUBE DOES NOT MOVE TO LAY POSITION WHEN LAY IS SELECTED UNDER AFCS CONTROL.

Step 1. Verify that GUN SERVO ON/OFF switch is ON.

- a. If not ON, place switch ON.
- b. If switch is ON, verify TRAVERSE LOCK is in UNLOCKED position. Go to step 2.

Step 2. Check to see if you are in NORMAL OPERATIONS mode.

- a. Verify that TRAVERSE mode switch is in the POWER position. Check EL Panel for mode display.

If not in proper mode, enter proper mode.

- b. If in NORMAL OPERATIONS mode, check EL Panel fields.

(1) Verify that LOAD, LAY, or STOW fields are displayed on EL Panel of DU.

(2) LOAD, LAY, or STOW fields are highlighted, when displayed.

Gun tube is already in proper position.

(3) LOAD, LAY, or STOW fields are displayed properly.

Reselect proper functional key. If gun tube still does not move to LAY position, notify unit maintenance. Complete mission in DEGRADED mode.

(4) LOAD, LAY, or STOW fields are not displayed.

If fields are not displayed, go to step 3.

Step 3. Check DU for fault indication.

- a. GUN TUBE SERVO indicator not lit during LOAD/LAY/STOW operation.

Run PDIU system test (para N-9.3) and notify unit maintenance. Complete mission in DEGRADED mode.

- b. FAULT indicator lit.

Check status line on EL Panel for faulty hardware and notify unit maintenance. Complete mission in DEGRADED mode.

Table N-21. TROUBLESHOOTING - Continued

MALFUNCTION	TEST OR INSPECTION	CORRECTIVE ACTION
AFCS - Continued		
7. DU DOES NOT POWER UP.	Step 1. Verify that MASTER and HYDRAULIC POWER switches are ON. <ol style="list-style-type: none"> a. If not ON, place switch(es) ON. b. If switch(es) are ON, go to step 2. 	Step 2. Verify that PCU circuit breakers are ON. <ol style="list-style-type: none"> a. If not ON, place appropriate circuit breaker(s) ON. b. If all circuit breakers are ON, notify unit maintenance.
8. TRAINING MODE CANNOT BE SELECTED.	Step 1. Verify that you are in the proper mode for TRAINING selection. <ol style="list-style-type: none"> a. If not, enter TRAINING mode. b. If in TRAINING mode, place the TRAINING ON/OFF switch in ON position. 	Step 2. TRAINING mode still cannot be entered. Notify unit maintenance.
9. AFCS IS NOT ABLE TO RECEIVE A MISSION.	Step 1. Verify that during POWER UP STATUS, AFCS is okay. <ol style="list-style-type: none"> a. AFCS subsystems do not check out as OK. If 1553 bus is not OK, notify unit maintenance. If the 1553 bus is degraded, go to step 2. b. AFCS subsystems check out OK. Go to step 2. 	Step 2. Verify that you are in proper mode (NORMAL OPERATIONS). <ol style="list-style-type: none"> a. If not in proper mode, enter NORMAL OPERATIONS mode and go through NETWORK display until you get to SETUP AND INFORMATION display. Now go to step 3. b. If already in proper mode, go to step 3.
	Step 3. Verify that data entry has been provided and is correct for all items marked with an * on SETUP AND INFORMATION display. <ol style="list-style-type: none"> a. If data has not been entered, enter data now to initialize system. Now system is able to receive a mission. b. If data has been entered for the * items and you still are unable to receive a mission, notify unit maintenance. 	

Table N-21. TROUBLESHOOTING - Continued

MALFUNCTION**TEST OR INSPECTION****CORRECTIVE ACTION****AFCS - Continued**

10. NO AUDIBLE ALERT FOR COS OR CREW (DU POWER IS ON).
- Step 1. Verify that wire/cable connections are tight.
If wire/cable connections are tight, go to step 2.
- Step 2. Go to para N-9.6 and perform Audio Alert Test.
- If intercom is not adjusted properly, adjust it now.
 - Rerun Audio Alert Test and go to step 3.
- Step 3. If there is still no audible signal, notify unit maintenance that intercom/AFCS is faulty.
11. EL PANEL MESSAGES ARE GARBLED/HARD TO READ.
- Step 1. Verify that wire/cable connections are tight.
If wire/cable connections are tight, go to step 2.
- Step 2. Go to para N-9.7 and perform Display Test.
- If test indicates that some of the pixels on EL Panel are burned out, notify unit maintenance that DU (EL Panel) is faulty.
 - If test does not indicate a problem with pixels, have unit maintenance check AFCS.
12. DU SOFTKEYS/ARROW KEYS/KEYPAD SWITCHES, LOAD, LAY, OR STOW KEYS DO NOT RESPOND PROPERLY.
- Step 1. Verify that cable/harness connections are tight.
If wire/cable connections are tight, go to step 2.
- Step 2. Go to para N-9.8 and perform Key and Switch Test.
- If test indicates a fault, notify unit maintenance that DU is faulty.
 - If no fault is indicated, notify unit maintenance to check AFCS.
13. NAV SUBSYSTEM FAULT (DEGRADED MODE) IS INDICATED.
- Step 1. Verify that wire/cable connections are tight.
If wire/cable connections are tight, go to step 2.
- Step 2. Traverse cab left and right 90 degrees from travel lock position and verify fault has been eliminated. If not, clean slip ring segment boards (para 3-8.17) and try the VMS test again before notifying unit maintenance.
- Step 3. Go to para N-9.2 and perform BIT Status Test.
- Determine which subsystem is degraded. If VMS fault is indicated, go to para N-9.5 and perform VMS test. Notify unit maintenance of particular fault.
 - Check PDIU reconfiguration advice (Appendix G.4). Determine if DEGRADED mode is acceptable. (Certain degraded subsystems will not interfere with AFCS operation or mission capability, i.e., VMS is out.) If acceptable, continue mission.

Table N-21. TROUBLESHOOTING - Continued

MALFUNCTION**TEST OR INSPECTION****CORRECTIVE ACTION****AFCS - Continued**

14. DU SUBSYSTEM FAULT (DEGRADED MODE) IS INDICATED.

Step 1. Verify that wire/cable connections are tight.

If wire/cable connections are tight, go to step 2.

Step 2. Go to para N-9.2 and perform BIT Status Test.

a. Determine which subsystem is degraded. Notify unit maintenance of particular fault.

b. Determine if DEGRADED mode is acceptable. (Certain degraded subsystems will not interfere with AFCS operation or mission capability; i.e., Embedded Trainer is out.) If acceptable, continue mission.

15. WPN SUBSYSTEM FAULT (DEGRADED MODE) IS INDICATED.

Step 1. Verify that wire/cable connections are tight.

If wire/cable connections are tight, go to step 2.

Step 2. Go to para N-9.2 and perform BIT Status Test.

a. Determine which subsystem is degraded. Notify unit maintenance of particular fault.

b. Check PDIU reconfiguration advice (Appendix G.4). Determine if DEGRADED mode is acceptable. (Certain degraded subsystems will not interfere with AFCS operation or mission capability; i.e., Tube Temp is out.) If acceptable, continue mission.

16. PDIU SUBSYSTEM FAULT (DEGRADED MODE) IS INDICATED.

Step 1. Verify that wire/cable connections are tight.

If wire/cable connections are tight, go to step 2.

Step 2. Go to para N-9.2 and perform BIT Status Test.

a. Determine which subsystem is degraded. Notify unit maintenance of particular fault.

b. Determine if DEGRADED mode is acceptable. (Certain degraded subsystems will not interfere with AFCS operation or mission; i.e., PDIU is out.) If acceptable, continue mission.

17. PCU SUBSYSTEM FAULT (DEGRADED MODE) IS INDICATED.

Step 1. Verify that wire/cable connections are tight.

If wire/cable connections are tight, go to step 2.

Step 2. Go to para N-9.2 and perform BIT Status Test.

a. Determine which subsystem is degraded. Notify unit maintenance of particular fault.

b. Determine if DEGRADED mode is acceptable. (Certain degraded subsystems will not interfere with AFCS operation or mission capability; i.e., PCU BIT failed.) If acceptable, continue mission.

Table N-21. TROUBLESHOOTING - Continued

MALFUNCTION

TEST OR INSPECTION

CORRECTIVE ACTION

AFCS - Continued

18. MVS SUBSYSTEM FAULT (DEGRADED MODE) IS INDICATED.

NOTE

Make sure the 1553 termination connector is installed (para 2-22.3) if M93 radar antenna transceiver is not mounted.

Step 1. Verify that cable/harness connections are tight.

If wire/cable connections are tight, go to step 2.

Step 2. Go to para N-9.2 and perform BIT status test.

- a. Determine which subsystem is degraded. Notify unit maintenance of particular fault.
- b. Determine if DEGRADED mode is acceptable. (Certain degraded subsystems will not interfere with AFCS operation or mission capability; i.e. PCU bit failed.) If acceptable, continue mission.

Table N-21. TROUBLESHOOTING - Continued

MALFUNCTION**TEST OR INSPECTION****CORRECTIVE ACTION****AFCS - Continued**

19. AFCS POSITION DRIFTS/DRUH "OP FAIL" IS INDICATED.

NOTE

- Infrequently, the AFCS position has been observed to drift while the howitzer is stationary, or the "NAV OUT - DRU OP FAIL" alert message is displayed, for no apparent reason. These problems have been traced to errors in communications between the AFCS and DRUH. With the GPS receiver (PLGR/DAGR) installed and the AFCS operated in a GPS aided mode, the problem will be bound to an acceptable level. If the PLGR/DAGR is off or not receiving acceptable signals from four satellites, the drift may occur to an unacceptable level.
- Unless there is an operational constraint on using GPS, it is recommended that the PLGR/DAGR be installed and the AFCS be operated in the GPS aided mode.

Follow the steps below if position is drifting when the howitzer is stationary and any of the following symptoms are observed: Note that these conditions are normal when the howitzer is travelling.

- a. "ZPT" is displayed in field 6 in the top line of the display. Note that it takes about 30 seconds after the vehicle stops for a normal "ZPT" indication to clear.
- b. AFCS position changes more than 10 meters.
- c. The "ZUPT REQUIRED" alert message is displayed.
- d. The "NAV POS UPDATE REQUESTED" alert message is displayed.
- e. The "PRESS ACK WHEN TUBE STOWED" alert message is displayed when the howitzer hasn't traveled.
- f. The "POS UPDATE INTERRUPTED" alert message is displayed after a NAV UPDATE is attempted.
- g. The "POS UPDATE RJTD HOWITZER MOVG" alert message is displayed after a NAV UPDATE is attempted.

NOTE

The "POSITION UPDATE REQUIRED" alert message can be triggered by several conditions. Unless accompanied by one of the above indications, it is not a symptom of position drift.

If any of the position drift symptoms is observed or the "NAV OUT - DRU OP FAIL" alert message is displayed, perform the following procedure:

- Step 1. Power down the AFCS.
- Step 2. Power the AFCS back up.
- Step 3. Reinitialize the AFCS.

NOTE

Do not replace the DRUH or the ACU for position drift or DRU OP FAIL problems. If cycling power, as discussed above, doesn't relieve the symptoms, notify unit maintenance.

N-11 AFCS CONFIDENCE TESTS.

N-11.1 Verification of Position and Direction Using Survey Data.

NOTE

To perform the direction tests, it is important that the spheroid and grid zone stored in the AFCS map mod are correct for the area of operation. If the AFCS spheroid and grid zone are incorrect, get a correct map mod from FDC (select GET INITIALIZATION on the FDC DATA XFER menu) or enter the correct spheroid and grid zone by selecting ENTER SPHEROID/DATUM on the SETUP AND INFORMATION menu.

During field training or combat, the position and direction data shown by the AFCS can be checked by using a surveyed location. The built-in-test (BIT) does not fully assure that the AFCS accuracy is within tolerance.

To perform the position test, two carefully surveyed points about 3-4 km apart are required, with an accuracy of 1:1000 or better.

To perform the direction test, there are three options:

- Surveyed orienting station and end of orienting line (OS/EOL). The OS should be at least 100 meters from the howitzer survey point.
- A surveyed azimuth to a distant aiming point (DAP) that is at least 1500 meters away from the survey point. A closer point may be used, but the test will not be as accurate.
- When no survey azimuth is available, a deflection test using the PANTEL is possible.

Perform the tests as follows.

N-11.1.1 Verification of Position Using Survey Points.

- a. Initialize the AFCS with the howitzer left front sprocket within one meter of the first survey point. Ensure easting, northing, and altitude match the data posted on the survey marker.

NOTE

If a surveyed azimuth to a DAP will be used for a direction test at the second survey point, then the FDC move order should include the azimuth to DAP as the center of sector. If a manual move order is used, first enter the azimuth to DAP as the center of sector on the DEFINE SECTOR OF FIRE menu (select SECTOR OF FIRE from SETUP AND INFORMATION menu). Then by positioning howitzer at second survey point with vehicle heading aligned with center of sector, you will ensure the tube is pointed toward the DAP.

- b. After the nav subsystem is fully aligned, receive a move order from FDC (destination INIT POINT) to the second survey point. If FDC is not available, enter a manual move order to the second survey point.
- c. Move to the second survey point without stopping.
- d. Upon arrival at the survey point, position howitzer with the left front sprocket within one meter of survey point. Wait 30 seconds before proceeding to next step.

N-11 AFCS CONFIDENCE TESTS - CONTINUED

N-11.1 Verification of Position and Direction Using Survey Data - Continued

N-11.1.1 Verification of Position Using Survey Points - Continued

- e. With the STEER TO screen displayed, read and record AFCS position data under POSN (easting, northing, and altitude) and the range to destination (RNG) in the upper right corner of the screen. Subtract the POSN altitude from the DESTN altitude.
- f. Compare the data obtained in step e with the following tolerances.

RNG	26 meters or less
Altitude Difference	± 26 meters
- g. If the AFCS data is within tolerance, but the POSN easting, northing, and altitude do not match the survey marker data exactly, then press ARRIVED key and do a NAV POSN UPDATE, using the NAV POSN UPDATE screen from the SETUP AND INFORMATION menu.
- h. If AFCS data is within tolerance, position test is complete. Skip the steps below and proceed to the chosen method for testing direction.
- i. If the AFCS data is out of tolerance, verify the DESTN easting, northing, and altitude matches the data on the survey marker. If they do not match, record the survey marker data for later use.
- j. Press ARRIVED key. Select NAV POSN UPDATE from the SETUP AND INFORMATION menu to enter the survey marker data. Do a NAV POSN UPDATE by pressing the USE ALL key.
- k. After the nav subsystem is fully aligned, receive a MOVE ORDER from FDC (or do a manual move order) to the first survey point.
- l. Move to the first survey point without stopping.
- m. Repeat steps d through f at the first survey point. Record the data and note whether the AFCS is in or out of tolerance.
- n. Press ARRIVED key. Select NAV update from the SETUP AND INFORMATION menu to enter the survey marker data. Do a NAV position update by pressing the USE ALL key.
- o. After the nav subsystem is fully aligned, receive a move order from FDC (or do a manual move order) to the second survey point.
- p. Move to the second survey point without stopping.
- q. Repeat steps d through f at the second survey point. Record the data and note whether the AFCS is in or out of tolerance.
- r. If the AFCS was out of tolerance two out of three trials, notify unit maintenance.
- s. If the AFCS was in tolerance two out of three trials, press ARRIVED key. Select NAV UPDATE from the SETUP AND INFORMATION menu and enter the second survey marker data. Do a NAV POSN UPDATE by pressing USE ALL key. Proceed to the chosen method for testing direction.

N-11.1.2 Verification of Direction Using an OS/EOL.

The AFCS nav subsystem uses gyros to align the system to north. Checks of AFCS direction may be accomplished using survey points and the M2 aiming circle, or a theodolite. Perform the test as follows.

- a. Ensure the howitzer is fully initialized and emplaced at the survey point on level ground. Ensure that a NAV POSN UPDATE has been done using the survey marker data.
- b. Unstow the tube. Install muzzle crosshairs.

N-11 AFCS CONFIDENCE TESTS - CONTINUED

N-11.1 Verification of Position and Direction Using Survey Data - Continued

N-11.1.2 Verification of Direction Using an OS/EOL - Continued

- c. Set up and level the aiming circle over the OS.
- d. Place the azimuth of the Orienting Line (OL) on the aiming circle using the upper (recording) motion.
- e. Sight the aiming circle on the EOL using the lower (non-recording) motion.
- f. Sight the aiming circle toward the howitzer using the upper (recording) motion.
- g. Using the primer vent hole and muzzle crosshairs, align the cannon bore on the aiming circle lens.
- h. With the upper (recording) motion of the aiming circle, align the vertical crosshair on the center of the cannon bore. Aiming circle operator announces "NUMBER (SO AND SO) REFER, AIMING POINT THIS INSTRUMENT".
- i. Read the azimuth to the cannon bore. This corresponds to the back azimuth of the cannon bore.
- j. If the aiming circle azimuth to the tube is greater than 3200, subtract 3200 to obtain tube pointing azimuth. If the aiming circle azimuth to the tube is less than 3200, add 3200 to obtain tube pointing azimuth.
- k. Select DISPLAY FORMAT from the SETUP AND INFORMATION menu. Change display from DEFLECTION to AZIMUTH and press USE ALL key.
- l. Select FIRE COMMANDS from the SETUP AND INFORMATION menu. When FIRE COMMANDS menu is displayed, press USE ALL to display a FIRE MISSION screen.
- m. Read and record ACTL AZ and QUAD off the FIRE MISSION screen. AFCS operator announces "NUMBER (SO AND SO), AZIMUTH (SO MUCH)".
- n. Aiming circle operator compares the readings from steps j and m. If the difference is with ± 2 mils, the aiming circle operator announces "SAFE".

NOTE

Quadrant should also be checked with a pretested gunner's quadrant. After adjusting for breech correction, reading should compare within ± 2 mils.

- o. AFCS operator compares the readings from steps k and n. If the difference is within ± 2 mils, the direction test is complete. Skip the steps below. Press EOM key on the FIRE MISSION menu to return to the SETUP AND INFORMATION menu. Select DISPLAY FORMAT and change display back to DEFLECTION and press USE ALL key.
- p. If either the azimuth or quadrant difference exceeds ± 2 mils, stow tube. Select NAV UPDATE from SETUP AND INFORMATION menu. When NAV UPDATE menu is displayed, check data and correct if necessary. When data is correct, select FORCE NAV RESTART and press USE ALL key to align the nav subsystem.
- q. Recheck the aiming circle level and position over the stake.
- r. After the nav subsystem is fully aligned, unstow tube and repeat steps d through o.
- s. If results are still out of tolerance, notify unit maintenance.

N-11 AFCS CONFIDENCE TESTS - CONTINUED

N-11.1 Verification of Position and Direction Using Survey Data - Continued

N-11.1.3 Verification of Direction Using an Azimuth to a DAP.

The AFCS nav subsystem uses gyros to align the system to north. Checks of AFCS direction may be accomplished using a survey point and a surveyed azimuth to a DAP at least 1500 meters away. A closer point may be used, but the test will not be as accurate. Perform the test as follows.

- a. Ensure the AFCS is fully initialized and the nav subsystem is fully aligned. Ensure the howitzer is positioned with the left front sprocket within one meter of the survey point. Ensure the howitzer is pointed generally toward the DAP.
- b. Unstow the tube.
- c. Align the cannon bore on the DAP.
- d. Select DISPLAY FORMAT from the SETUP AND INFORMATION menu. Change display from DEFLECTION to AZIMUTH and press USE ALL key.
- e. Select FIRE COMMANDS from the SETUP AND INFORMATION menu. When FIRE COMMAND menu is displayed, press USE ALL to display a FIRE MISSION screen.
- f. Read and record ACTL AZ and QUAD off the FIRE MISSION screen.
- g. Compare the azimuth display on the AFCS (ACTL AZ) with the surveyed azimuth to the DAP. Azimuth should compare within ± 2 mils.
- h. Compare the quadrant displayed on the AFCS (ACTL QUAD) with the quadrant elevation off the M145A1 Mount. Quadrant elevation should compare within ± 2 mils.

NOTE

Quadrant should also be checked with a pretested gunner's quadrant. After adjusting for breech correction, reading should compare within ± 2 mils.

- i. If the results are within tolerance, the test is complete. Skip the steps below. Press EOM key on the FIRE MISSION menu to return to the SETUP AND INFORMATION menu. Select DISPLAY FORMAT and change display back to DEFLECTION and press USE ALL key.
- j. If the results are out of tolerance, stow tube. Select NAV UPDATE from SETUP AND INFORMATION menu. When NAV UPDATE menu is displayed, check data and correct if necessary. When data is correct, select FORCE NAV RESTART and press USE ALL key to align the nav subsystem.
- k. After the NAV subsystem is fully aligned, unstow tube and repeat steps c through i.
- l. If results are still out of tolerance, notify unit maintenance.

N-11 AFCS CONFIDENCE TESTS - CONTINUED**N-11.1 Verification of Position and Direction Using Survey Data - Continued****N-11.1.4 Verification of Deflection and Quadrant.**

If surveyed azimuth data is not available, you can check the AFCS and the PANTEL for a match in deflection and quadrant elevation. To perform this test, a DAP at least 1500 meters away is needed. Perform the test as follows.

NOTE

The howitzer may be positioned at a survey point if the position test is also being conducted. However, a survey point is not necessary to perform the deflection and quadrant test alone.

- a. Receive a move order from FDC to fire point. If FDC is not available, enter a manual move order to a FIRE POINT.
- b. With the EMPLACE FIRE POINT screen displayed, position howitzer with tube pointed generally toward center of sector (base azimuth).
- c. Press ARRIVED and unstow tube. Install muzzle crosshairs.
- d. Use default value for MAXIMUM TUBE ELEVATION and press USE ALL on the SITE DEFINITION screen. The SECTION IN ORDER AT FIRE POINT screen will be displayed.
- e. Using the power control handle, traverse the tube until ACTL DEFL displays 3200 deflection on the SECTION IN ORDER screen (this is the center of sector or base azimuth).

NOTE

If there is no FPF or priority fire mission on the screen, you may press the LOAD key to traverse the tube to 3200 deflection. Ensure that ACTL DEFL remains on 3200 deflection when you release the LOAD key. Adjust with power control handle, if necessary.

- f. Check boresight of PANTEL with M140/M140A1 alignment device.
- g. Select a DAP that is at least 1500 meters away.
- h. Using the Azimuth deflection knob, align the vertical hairline of the PANTEL on the DAP. Level the pitch and cross level bubbles and check alignment.
- i. Rotate counter rest knob on PANTEL until 3200 appears on reset counter.
- j. Using the primer vent hole and muzzle crosshairs, align the tube on the DAP.
- k. Level pitch and cross level bubbles on PANTEL mount. Using the azimuth deflection knob, align vertical hairline of PANTEL on the DAP. Record PANTEL deflection reading.
- l. Center elevation level vial on M145A1 mount. Record M145A1 quadrant reading.
- m. Read and record the ACTL deflection (DEFL) and quadrant (QUAD) obtained on the AFCS SECTION IN ORDER screen.
- n. Compare deflections and quadrants obtained in steps k, l, and m. The tolerance between readings is ± 2 mils for both deflection and quadrant.
- o. If AFCS and PANTEL agree within the tolerance, the test is complete. Skip the step below.
- p. If AFCS and PANTEL do not agree with the tolerance, notify unit maintenance.

N-11 AFCS CONFIDENCE TESTS - CONTINUED

N-11.2 Testing the Accuracy of the AFCS Elevation.

NOTE

Before performing this test, ensure that the cannon assembly is properly equilibrated (para 3-8.2) to prevent tube elevation drift.

The AFCS elevation accuracy should be tested whenever the trunnions have been leveled for optical fire control alignment test and measurements. It is suggested that a survey point be put in at the location of these tests for the purpose of proper initialization of the AFCS.

This test is used to verify the AFCS quadrant elevation and gunner's quadrant agree at all elevations. Perform the test as follows.

- a. Initialize the AFCS with the tube stowed in the travel lock.
- b. When the Nav Subsystem is fully aligned, unstow tube, and recheck trunnion level using a plumbline.
- c. Level the tube using a pretested gunner's quadrant on the machined surface just rear of the muzzle brake. Set the gunner's quadrant on the top (widest) surface with the feet aligned with the machined shoulder.
- d. With the tube held at the level position, place the gunner's quadrant on the breech elevation seats. Measure and record breech correction.
- e. Select FIRE COMMANDS from the SETUP AND INFORMATION menu. When FIRE COMMANDS menu is displayed, press USE ALL to display a FIRE MISSION screen.
- f. Read and record ACTL QUAD on the FIRE MISSION screen. QUAD should be zero mils \pm 0.5 mils.
- g. If ACTL QUAD is not within tolerance, notify unit maintenance.
- h. Set the scale of the gunner's quadrant to 100 mils plus the sum of the gunner's quadrant correction and the breech correction.
- i. Place the gunner's quadrant on the breech seats. Elevate the tube (power or manual) until the bubble is centered.
- j. Read and record the ACTL QUAD on the FIRE MISSION screen. If the difference between the ACTL QUAD and the tube elevation exceeds \pm 0.5 mils, verify all settings. Record the difference.
- k. Repeat steps h. through j., adding 100 mils elevation each time, until maximum elevation is reached. Then decrease elevation in 100 mil increments and repeat measurements.
- l. Compare all differences to the tolerance of \pm 0.5 mils. If the reading at any elevation exceeds the tolerance, notify unit maintenance.

APPENDIX O

OPERATION OF PALADIN DIGITAL FIRE CONTROL SYSTEM (PDFCS) (VERSION 2P SOFTWARE)

TABLE OF CONTENTS

	<u>Page</u>
O-1 SCOPE	O-3
O-2 GENERAL	O-3
O-3 PDFCS Operating Modes	O-3
O-3.1 FC Mode	O-3
O-3.2 Training Mode	O-4
O-3.3 Normal Operation Mode	O-4
O-3.4 Maintenance Mode	O-4
O-3.5 FCB2 (SA) Mode	O-4
O-4 PDFCS Operating Controls and Indicators	O-5
O-5 DC Power Messages	O-52
O-5.1 On Auxiliary Power	O-52
O-5.2 Auxiliary Power Not Available	O-53
O-5.3 Vehicle and Auxiliary Power OK	O-53
O-6 PDFCS Initialization	O-54
O-6.1 System Power-Up	O-54
O-6.2 Initializing	O-61
O-6.3 Initialization After an Orderly Shutdown	O-115
O-6.4 Initialization After a Catastrophic Failure	O-132
O-7 PDFCS TRAVEL MODE	O-134
O-7.1 Movement	O-134
O-7.2 Emplacement Fire Point/Fire Area	O-139
O-8 PDFCS FIRE MISSION	O-150
O-8.1 Platoon Operation Center	O-152
O-8.2 Firing Mission	O-154
O-8.3 Ammunition Accountability	O-156
O-8.4 End of Mission	O-158
O-8.5 PDFCS Emergency Mission	O-159
O-8.6 Direct Fire Procedures Using PDFCS	O-161
O-8.7 System Menus	O-166
O-9 PDFCS AND PDI FAULT DETECTION	O-206
O-9.1 Power Up Built-In-Test (BIT)	O-206
O-9.2 PDFCS Status	O-209
O-9.3 PDI System Test	O-214
O-9.4 Vehicle Motion Sensor Test	O-228
O-9.5 Audio Alert Test	O-230
O-9.6 Display Test	O-231
O-9.7 Key and Switch Test	O-232
O-9.8 Boresight Angle Entry	O-233
O-9.9 Equivalent Full Charge (EFC)	O-233
O-9.10 PDFCS and PDCU Abbreviations	O-238
O-9.11 Software Version/Configuration Display	O-242
O-9.12 CPU Environment Display	O-244
O-9.13 Inductive Fuze Setter Display	O-245
O-10 SYMPTOM INDEX	O-247
O-11 PDFCS CONFIDENCE TESTS	O-258
O-11.1 Verification of Position and Direction Using Survey Data	O-258
O-11.2 Testing the Accuracy of the PDFCS Elevation	O-263

LIST OF TABLES

	Page
Table O-1 EL Panel Display	O-7
Table O-2 Fire Mission Display	O-13
Table O-3 Other Volley Display	O-17
Table O-4 Section In Order Display	O-19
Table O-5 Charge Displayed Based on Propellant Model	O-21
Table O-6 U.S Shell/Fuze Combinations Cross Reference	O-22
Table O-7 Urgent Messages	O-29
Table O-8 High Priority Messages	O-30
Table O-9 Low Priority Messages with Audio Alerts	O-33
Table O-10 Low Priority Messages without Audio Alerts	O-45
Table O-11 Power Up Status Display	O-58
Table O-12 Network Configurations	O-64
Table O-13 Paladin Fire Commands Entry Display	O-169
Table O-14 Shell Model Numbers	O-177
Table O-15 Fuze Model Numbers	O-177
Table O-16 IFS Subsystem Status Display	O-179
Table O-17 Record of Fire Select Target Display	O-188
Table O-18 Record of Fire Display	O-189
Table O-19 Record of Fire Data Display	O-195
Table O-20 Troubleshooting	O-248

O-1 SCOPE.

This appendix contains the procedures and actions necessary for proper operation of the Paladin Digital Fire Control System (PDFCS) utilizing Version 2P Software.

O-2 GENERAL.

The Paladin Digital Fire Control System (PDFCS) performs ballistic computations and weapon control, provides the interface between the PDFCS computer and the radios, and stores data which is displayed/entered on the Display Unit (DU).

PDFCS eliminates the use of optical fire control equipment in laying vehicle for deflection and elevation during indirect fire missions. PDFCS receives target information, calculates weapons position and automatically lays the gun tube. Calls for fire are accepted directly. Communication can be performed with any authorized source.

In addition PDFCS contains a maintenance utility designed to perform initial troubleshooting of the system and a Built-In Training Device (Embedded Trainer) containing a tutorial on system operations.

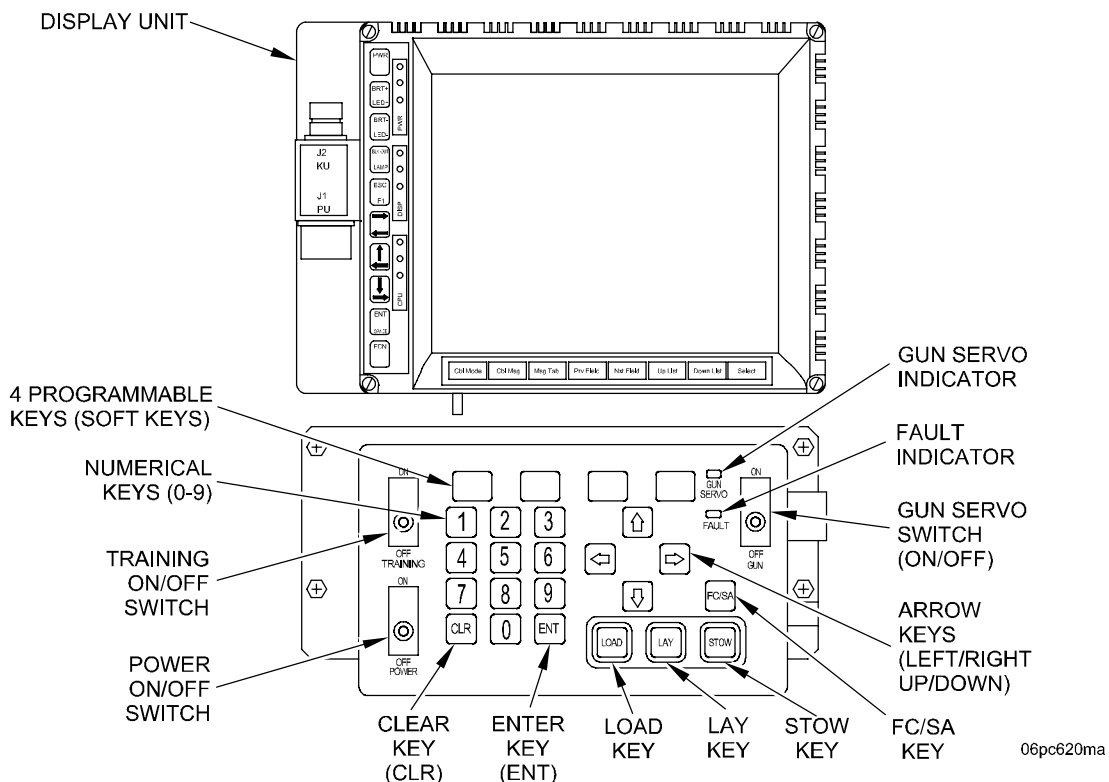
O-3 PDFCS OPERATING MODES.

PDFCS has two operational modes: Fire Control (FC) and Force XXI Battle Command Brigade and Below (FBCB2), each of these is as discussed below. Since the primary function of PDFCS is Fire Control, the terms "PDFCS" and "FC" are often used interchangeably. Since the primary function of FBCB2 is Situational Awareness (SA), the terms "FBCB2" and "SA" are often used interchangeably.

O-3.1 FC Mode.

Refers to the PDFCS functionally to provide for fire control net connectivity, FC unit commands, fire mission messages, and Paladin system controls. The PDFCS has automatic mode control for FC mode to automatically take charge of the display upon receipt of a FC message. The operator has the capability to switch between FC and SA modes of operations.

Fire Control functions are performed during three operating modes. These modes are Training, Normal Operations, and Maintenance.



O-3 PDFCS OPERATING MODES - CONTINUED

O-3.2 Training Mode.

The PDFCS has a Built-In Training Device (Embedded Trainer). This can be used as a tutorial device to train, maintain, improve, and evaluate crew efficiency/performance. This function allows for simulating Move and Fire Missions under a variety of battlefield scenarios. These include: Shoot Heavy, Move Heavy, Modified Balanced, as well as Degraded conditions for Fire Control, all without need for radio communications (PDFCS simulates all radio communications so training can be accomplished without POC assets). In addition, the Embedded Trainer can be run from a Beginner's Tutorial option through a full scale scenario.

O-3.3 Normal Operation Mode.

During the normal operation mode, there are submodes which make up initializing the system navigation, emplacement, and firing the howitzer. These submodes are initialization, travel, and fire mission.

O-3.4 Maintenance Mode.

This mode is designed to be used by the crew to do initial troubleshooting of a failure in the PDFCS, isolate to an LRU and expedite repair, and view detailed software configuration information for each LRU/CPCI.

NOTE

In the SA mode, M109A6 crews should not respond to either of the following FBCB2 message alerts:

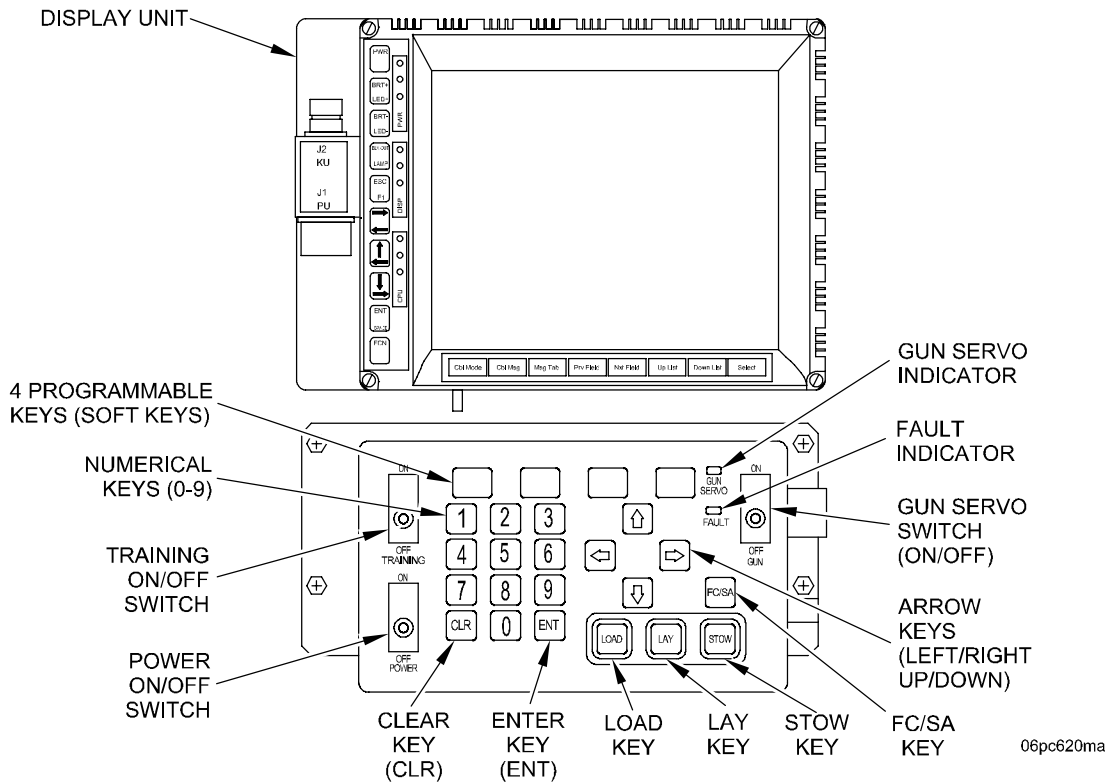
- Fire Mission
- Check Fire

These messages should only be acted upon when received in the Fire Control (FC) mode.

O-3.5 FBCB2 (SA) Mode.

Refers to Situational Awareness and Command and Control (C2) operations provided by FBCB2. This mode provides connectivity to the Tactical Internet, a constantly updated SA picture (friendly and reported enemy/other positions, danger areas and obstacles), FBCB2 system controls as well as report, alert, planning, overlay, logistic, coordination and fire support messages.

O-4 PDFCS OPERATING CONTROLS AND INDICATORS.



- a. GUN SERVO Indicator Lamp. This amber indicator lamp will come on only during PDFCS movement of the weapon. Additionally, the lamp stays on when the servos position the weapon on command LAY.
- b. GUN SERVO ON/OFF Switch. This toggle switch enables gun servo units. Lifting guard and placing switch in ON position allows PDFCS to control gun servo valves. (This is required for Gun Laying by PDFCS, also needed for STOW and LOAD commands by PDFCS.) Closing switch guard will automatically place switch in OFF position.
- c. Arrow Keys (up/right/down and left). Pressing proper key will move highlighted area of display on PDU.
- d. FAULT Indicator Lamp. This indicator lamp will come on when a failure has been detected by internal BIT of PDFCS.
- e. STOW Key. With GUN switch ON, pressing STOW key will automatically return gun to a position above the travel lock. (Final tube positioning to secure gun in travel lock must be done with gunner's/COS control handles.)
- f. LAY Key. With GUN switch ON, pressing LAY key will automatically drive gun to Commanded (CMD) position by PDFCS (in proper azimuth and elevation).
- g. LOAD Key. With GUN switch ON, pressing LOAD key during high firing angles will automatically return gun to a preselected low elevation angle. This allows easier loading of gun.
 - (1) During Fire Mission. Pressing LOAD key during a Fire Mission will return gun to preselected load elevation and traverse gun to LAY position.

NOTE

If there is no FPF, the gun will traverse to the assigned center sector of fire.

- (2) Prior to Fire Mission. Pressing LOAD key prior to a Fire Mission (Section in Order) will return gun to preselected load elevation and traverse to Final Protective Fire (FPF) azimuth.

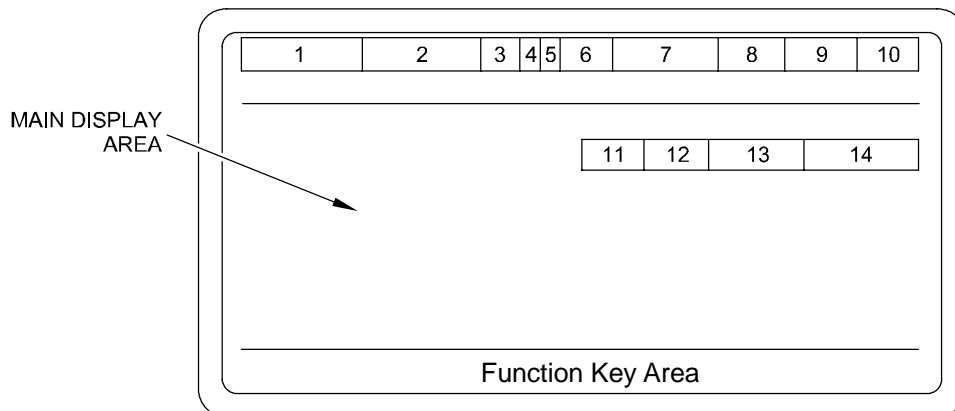
O-4 PDFCS OPERATING CONTROLS AND INDICATORS - CONTINUED

- h. KEYPAD (Numerals 0 through 9, CLR--clear, and ENT--enter keys). These keys are used for entering data. The CLR key is used to delete a numeric entry within the cursor field on the display. The ENT key is used to insert a numeric entry into highlighted field on the display.

NOTE

If PDFCS POWER is switched to OFF, alignment data will have to be reentered at next power up. Navigation Restart is a 15-minute procedure. Closing switch guard will not place this switch in OFF position. Switch must be manually put in OFF position.

- i. POWER ON/OFF Switch. Lifting the guard and placing switch in ON position powers up PDFCS. System will then automatically perform self-test (BIT). After BIT, PDFCS will control gun hydraulics when GUN ON/OFF switch is ON. At this time, some gun movement may occur. Do not power down PDFCS when entering/exiting different modes. After PDFCS has been powered down, the PDFCS will power up and be operational in approximately 3-4 minutes.
- j. TRAINING ON/OFF Switch. Lifting the guard and placing switch in ON position while PDFCS is at the select operating mode menu allows operator to select Training Mode. (To exit Training Mode, either finish scenario and exit via appropriate softkey, or place TRAINING ON/OFF switch to OFF and select appropriate softkey to exit.)
- k. softkeys (four). Function of keys depends on menu being displayed (worked). Lowest display line identifies function.
- l. FC/SA Key. This key is used to toggle the display between PDFCS (FC) and FBCB2 (SA) modes.
- m. Audio Alerts. There are two audio alerts that are sounded by the PDFCS. Type 1 is a constant repetition of alternating high and low tones of .3 seconds each. Type 2 is a constant repetition of a single tone for .2 seconds with .6 seconds of quiet between each tone.
- n. PDFCS Display Unit (PDU). The PDU displays both FC and SA screens. If the fire control screen is active, the FBCB2 screen can be activated by pressing the FC/SA key on the keypad. If the FBCB2 screen is active, the fire control screen can be activated by pressing the FC/SA key on the keypad. If a user is viewing FBCB2, the display will automatically switch the FC screen if important fire control alerts occur. The PDFCS keypad buttons are disabled when FBCB2 is displayed. The PDFCS keypad is only used in conjunction with functions. All FBCB2 functions are performed using the touchscreen. When the FC screen is displayed, the format will show possible fire mission data fields, advisory messages, instructions and commands. The data fields in the FC screen are numbered as follows:



06pc088mf

O-4 PDFCS OPERATING CONTROLS AND INDICATORS - CONTINUED

Table O-1. EL Panel Display

Field	Description	Conditions for display
1	Operational Mode Range/Values: (1) NORMAL (2) EMB TNG (3) MAINT (4) STE-X (5) aaaaaaa (6) Blank (7) MV (8) NO MV (9) BAD MV	(1) Indicates the normal operational mode was selected. (2) Indicates the training mode was selected. (3) Indicates maintenance mode was selected. (4) Indicates the STE-X has control of the system. (5) Represents the Paladin software version and is only display on POWER UP STATUS. (6) Indicates the software configuration data table is invalid. Note: MV, NO MV and BAD MV shall be displayed in inverse video. (7) Displayed upon shot detect and a valid muzzle velocity was received from the MVS. (8) Displayed upon shot detect and no muzzle velocity was received from the MVS. (9) Displayed upon shot detect and a muzzle velocity was received but the data was not valid.
2a	Fire Mission 1 IndicatorRange/ Values: (1) FM1 (2) CK1 (3) CHK (4) Blank	Note: The Paladin shall remove the appropriate Fire Mission Status upon receipt of EOM, Early EOM, Cancel Checkfire By Target, or Cancel Checkfire All. (1) FM1 displayed upon receipt of a valid fire mission and field 2a is blank. Inverse video=active mission. Normal video=non-active mission. (2) CK1 if the FM1 fire mission is in Checkfire Target Number and Paladin is not in Checkfire All. Inverse video=active mission. Normal video=non-active mission. (3) CHK displayed in inverse video upon receipt of a valid Check Fire All. (4) Blank indicates that none of the above conditions apply.

O-4 PDFCS OPERATING CONTROLS AND INDICATORS - CONTINUED

Table O-1. EL Panel Display - Continued

Field	Description	Conditions for display
2b	Fire Mission 2 Indicator Range/ Values: (1) FM2 (2) CK2 (3) ALL (4) Blank	Note: The Paladin shall remove the appropriate Fire Mission Status upon receipt of EOM, Early EOM, Cancel Checkfire By Target, or Cancel Checkfire All. (1) FM2 displayed upon receipt of a valid fire mission and field 2a is FM1 or CK1. Inverse video=active mission. Normal video=non-active mission. (2) CK2 if the FM2 fire mission is in Checkfire Target Number and Paladin is not in Checkfire All. Inverse video=active mission. Normal video=non-active mission. (3) ALL displayed in inverse video upon receipt of a valid Check Fire All. (4) Blank indicates that none of the above conditions apply.
3	Move Order Indicator Range/ Values: (1) MO (2) Blank	Note: MO is displayed in inverse video. (1) The Paladin has an active move order. (2) The Paladin does not have an active move order.
4	Warning Message IndicatorRange/ Value: (1) W (2) Blank	Note: W is displayed in inverse video. (1) A warning message has been queued. (2) There are no warning messages for the operator to view.
5	Received Message IndicatorRange/ Values: (1) R (2) Blank	Note: R is displayed in inverse video. (1) A received message has been queued. (2) There are no messages for the operator to view.

O-4 PDFCS OPERATING CONTROLS AND INDICATORS - CONTINUED**Table O-1. EL Panel Display - Continued**

Field	Description	Conditions for display
6	Align Time to Go IndicatorRange/ Values: (1) ZPT (2) CMD (3) POS (4) 0-999 (5) Blank	Note: The data displayed below are listed in highest to lowest priority order. (1) Indicates a ZUPT stop is required. (2) This indicates that the PDFCS has initiated a command sequence with the Navigation Device and the command sequence has not yet been completed. (3) This indicates that the Navigation Device has requested a position update. (4) This three digit number indicates the number of seconds remaining before navigation alignment is complete. When the alignment has proceeded to the point where the Paladin can be fired or moved, an alert will be provided to the operation indicating that it is okay to move or shoot. The align time will continue to be updated until the "nnn" value reaches zero. If the navigation device is not able to complete the alignment within (2) seconds of the timer reaching zero, an error prompt will be presented indicating that a navigation device restart is required. (5) Indicates that none of the above applies.
7	Function Status- Range/Values: (1) N (2) A (3) C (4) D (5) W (6) F (7) Blank	(1) The Navigation Subsystem is --, DEGRADED, or OUT. (2) GPS is not supplying position data or DRUH is operating in the inertial mode; or GPS Data is invalid, EPE is greater than the good threshold, or GPS is unavailable while moving. (3) The COMMO Subsystem is --, DEGRADED, or OUT. (4) Operator selects DRY FIRE from the Fire Mission Mode Selection Menu. (5) The WPN Subsystem is --, DEGRADED, or OUT. (6) The IFS Subsystem is --, OUT, DEG-MNT, DEG-GPS or DEG-BAT. (7) All of the above subsystems are OK, or not in Dry Fire mode.
8	Load Key Status- Range/Values: (1) LOAD (2) Blank	Note: When Load is displayed in inverse video, the tube is within the load window. (1) Indicates the load key is active. (2) Indicates the load key is inactive.
9	Lay Key Status- Range/Values: (1) LAY (2) Blank	Note: When Lay is displayed in inverse video, the tube is in the Lay position. (1) Indicates the Lay key is active. (2) Indicates the Lay key is inactive.

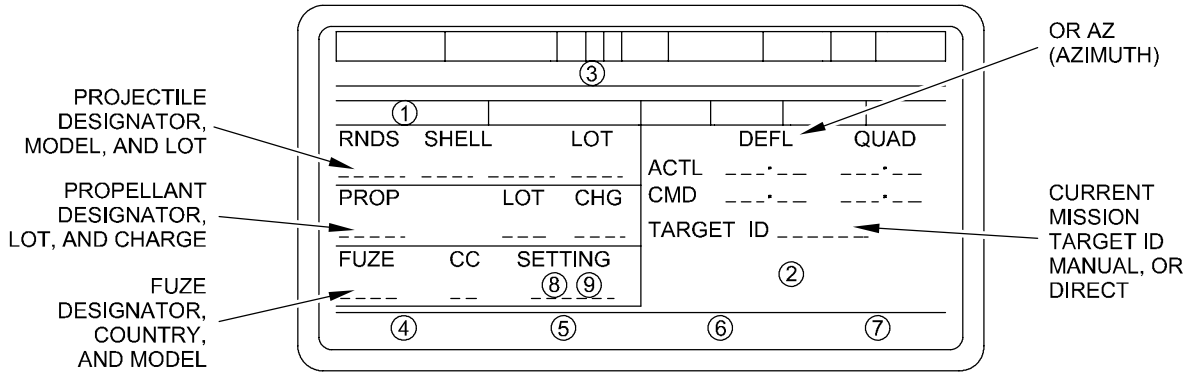
O-4 PDFCS OPERATING CONTROLS AND INDICATORS - CONTINUED

Table O-1. EL Panel Display - Continued

Field	Description	Conditions for display
10	Stow Key Status- Range/Values: (1) STOW (2) Blank	Note: When Stow is displayed in inverse video, the tube is in the stow window. (1) Indicates the Stow key is active. (2) Indicates the Stow key is inactive.
11	Mission Priority Range/Value (1) FPF (2) PRI (3) Blank	(1) Indicates that the mission is a Final Protective Fire mission. (2) Indicates that the mission is a Priority mission. (3) Indicates that the mission is a Normal mission.
12	Mission Urgency Range/Value (1) DC (2) TOT (3) Blank	(1) Indicates that the mission has an associated Danger Close status. (2) Indicates that the PDFCS is processing a Time On Target fire mission. (3) Indicates that the PDFCS has Normal urgency for this mission.
13	Tube Temperature Color Status Range/Value (1) COLD (2) WARM (3) HOT (4) Blank	(1) Indicates that the tube temperature is in a green status. (2) Indicates that the tube temperature is in an amber status. (3) Indicates that the tube temperature is in a red status. (4) Indicates that the tube temperature is not available.
14	Safe Time in Tube Status Range/Value (1) mm (2) Blank	(1) Indicates the current safe time for around to be in the tube. Time is shown in minutes. WARM 20 -- Safe time in tube 20 min WARM 15 -- Safe time in tube 15 min WARM 10 -- Safe time in tube 10 min WARM 05 -- Safe time in tube 5 min 0 MIN -- Indicates the tube is HOT. (2) Indicates that the tube is cold and there is no limit on the safe time in the tube

O-4 PDFCS OPERATING CONTROLS AND INDICATORS - CONTINUED

The main display area contains the menu, information, and data entry areas required for operating the PDFCS. The specific data shown in this area is dependent on the functions being performed. Various instructions and warnings will appear in this area, as necessary. Below are some of the displays and data requirements for the main display area.



06pc242ta

Listed below are the legal values for each field of FIRE MISSION display.

NOTE

The 1/1, 1/2, and 2/2 data shall not be displayed for direct or FDC fire commands fire missions.

- VLV / = current volley being displayed: 1/1, 1/2 or 2/2
- RNDS = Number of rounds remaining to fire 1..99 or blank
- SHELL = Shell model only (see Table O-6) or blank
- SHELL LOT = A..Z or blank
- PROP = Propellant model (see Table O-6) or blank
- PROP LOT = A..Z or blank
- CHG = Propellant charge designator (see Table O-5) or blank
- FUZE = Fuze model only (see Table O-6) or blank
- FUZE SETTING = Computed fuze setting, "PD" or "DELAY"
- DEFL or AZ = 0.0..6399.9 mils or blank
- QUAD = -200.0..+1600.0 mils or blank
- TARGET ID = Current mission target identification

O-4 PDFCS OPERATING CONTROLS AND INDICATORS - CONTINUED

The display data format for the FIRE MISSION screen follows in Table O-2.

NOTE

- The alerts marked with an asterisk (*) will result in an "OK TO SHOOT?" "YES" "NO" short error message to the PDFCS operator.
- The operator must determine if mission is safe to shoot by notifying the FDC and either accept or abort as instructed.
- If the operator presses YES, then the PDFCS shall continue to process the fire mission.
- If the fire mission is a single aimpoint mission or if the violation applies to the entire mission and operator presses NO then the PDFCS shall abort the fire mission.
- If the fire mission has multiple aimpoints and the operator presses NO then the PDFCS shall transition to the next aimpoint.
- If the fire mission is a multiple phase fire mission and the violation occurs for only one phase, the violation and error message will be displayed before continuing the mission.
- If the fire mission has multiple aimpoints and the violation does not apply to every aimpoint, the violation and error message will be displayed for each aimpoint that has the violation, when the data for that aimpoint is displayed the first time.
- The "SAFE FIRE AREA VIOLATION" warning shall be the first to appear. The additional information in this field shall remain until it is superseded or no longer applies.

O-4 PDFCS OPERATING CONTROLS AND INDICATORS - CONTINUED

Table O-2. Fire Mission Display

Field	Description	Conditions for display
1	SHEAF INFORMATION Range/Values: (1) Blank (2) SHEAF PT (3) SHEAF X/XX	(1) Fire mission is not a sheaf mission. (2) This gun is participating in a multi-gun sheaf. (3) This gun is participating in a single gun sheaf where X is the current aimpoint number and XX is the number of aimpoints.
2	Range/Values: (1) Blank (2) SAFE FIRE AREA VIOLATION* (3) REMEMBER TO UPDATE INVENTORY (4) WARNING TUBE IS NOT IN LAY POSITION (5) TUBE MUST BE LAID MANUALLY (6) CALL FDC IF ROUND IN TUBE (7) PRESS SHOT OR CLEAR TO ACK CEASELOAD (8) SECTOR OF FIRE VIOLATION* (9) SITE VIOLATION* (10) INSUFFICIENT AMMO SHELL/ FUZE/PROP* (11) INSUFFICIENT AMMO SHELL/ FUZE* (12) INSUFFICIENT AMMO SHELL/ PROP* (13) INSUFFICIENT AMMO FUZE/ PROP*	(1) Displayed when none of the following apply. (2) The aimpoint or trajectory terminates outside the Safe Fire Area. (3) Direct fire or FDC fire commands missions. (4) The Weapon Controller is operational and the tube is not in the Lay window. (5) The Weapon Controller is not operational. (6) Awaiting tube clear and crew is not authorized to fire. (7) The Paladin has received a CEASELOAD request. (8) Gun-target line is outside the defined sector of fire. (9) Firing parameters violate defined mask. (10) Insufficient ammo quantities. (11) Insufficient shell/fuze quantities. (12) Insufficient shell/prop quantities. (13) Insufficient fuze/prop quantities.

O-4 PDFCS OPERATING CONTROLS AND INDICATORS - CONTINUED

Table O-2. Fire Mission Display - Continued

Field	Description	Conditions for display
	(14) INSUFFICIENT AMMO SHELL* (15) INSUFFICIENT AMMO FUZE* (16) INSUFFICIENT AMMO PROP* (17) MAX TUBE EL EXCEEDED* (18) MINIMUM QE VIOLATED*	(14) Insufficient shell quantities. (15) Insufficient fuze quantities. (16) Insufficient prop quantities. (17) Computed QE exceeds the defined maximum elevation. (18) The gun tube has violated the minimum QE as entered by the PDFCS operator in the ENTER MINIMUM FIRING QE display.
3	Range/Values: (1) FIRE WHEN READY (2) FIRE WHEN READY- FDC COMP (3) UNDER VOICE ORDERS (4) COMPUTING DO NOT LOAD (5) DO NOT LOAD (6) DO NOT LOAD- FDC COMP (7) LOAD LAY THEN PRESS READY (8) WAIT FOR COMMAND (9) WAIT FOR COMMAND- FDC COMP (10) WAIT NNN SECONDS (11) WAIT NNN SECONDS- FDC COMP (12) FIRE (13) FIRE-FDC COMP (14) FPF END OF MISSION (15) EARLY END OF MISSION (16) CEASELOAD	(1) Fire at will. (2) Fire at will and FDC computed the fire mission. (3) All commands are received via voice communications. (4) The Paladin is computing or waiting for an operator response. (5) Do not load mission. (6) Do not load mission computed by the FDC. (7) At My Command or Copperhead mission. (8) At My Command after ready. (9) At My Command after ready and the FDC computed the mission. (10) Time on target, time to fire, or continuous fire interval mission and the operator must wait NNN seconds before firing the howitzer. (11) Time on target, time to fire, or continuous fire interval mission, the FDC computed the mission and the operator must wait NNN seconds before firing the howitzer. (12) Command to fire. (13) Command to fire and FDC computed the mission. (14) EOM or CEASELOAD received during FPF mission. (15) EOM received before all rounds are fired. (16) CEASELOAD received after load but before all rounds are fired.

O-4 PDFCS OPERATING CONTROLS AND INDICATORS - CONTINUED

Table O-2. Fire Mission Display - Continued

Field	Description	Conditions for display
4	SOFTKEY POSITION 1 Range/Values: (1) Blank (2) SHOT (3) READY	(1) SHOT or READY do not apply. (2) Used to initiate SHOT processing if not automatically performed when a round is fired. (3) Used for At My Command fire missions, and notifies FDC the Paladin is ready to fire.
5	SOFTKEY POSITION 2 Range/Values: (1) Blank (2) CLEAR (3) OTHER VLY	(1) CLEAR or OTHER VLY do not apply. (2) The Paladin requires notification of tube clear. (3) Other volley information is available for operator viewing.
6	SOFTKEY POSITION 3 Range/Values: (1) Blank (2) CHECK	(1) CHECK does not apply. (2) For Paladin operator initiated Check Fire.
7	SOFTKEY POSITION 4 Range/Values: (1) Blank (2) ABORT (3) EOM	(1) No active fire mission. Note: If the operator presses the EOM or ABORT softkey, the Paladin shall display the operator alerts "ARE YOU SURE?" "YES" "NO" for EOM, and "ABORT ARE YOU SURE?" "YES" "NO" for Abort. (2) Fire mission other than direct or FDC Fire Commands is active. (3) Direct or FDC Fire Commands fire mission is active.
8	FUZE MODE Range/Values: (1) PD (2) DLY (3) TI (4) VT (5) Blank	Note: If the shell is XM982/M982, then the values shall be displayed in inverse video before the fuze is successfully set. For XM982 TTF missions, the fuze setting mode shall not be displayed if the TTF is greater than 7 minutes. (1) Fuze Mode is Point Detonating or "Q". (2) Fuze Mode is Delay. (3) Fuze Mode is Time. (4) Fuze Mode is Variable Time. (5) If manual, direct, or copperhead fire mission.
9	FUZE SETTING TIME Range/Values: (1) NNN.N (where NNN.N is the time setting in seconds.) (2) NN PP (where NN is the fuze setting and PPP is the PRF Code) (3) Blank	Note: The Excalibur countdown timer will start at 420.0 seconds and shall be displayed in inverse video when XM982 is successfully set. (1) Fuze setting in seconds or the Excalibur Countdown timer in seconds. (2) Shell is M712. (3) If fuze mode is PD or DLY and shell is not XM982 or if an XM982 mission and the fuze has not been successfully set.

O-4 PDFCS OPERATING CONTROLS AND INDICATORS - CONTINUED

The following alerts shall appear if the operator presses the LOAD or LAY keys and the tube transitions across the minimum quadrant elevation:

“MINIMUM QE VIOLATED” “ACK” - The gun tube has violated minimum QE entered by the operator.

“MINIMUM QE NO LONGER VIOLATED” “ACK” - The gun tube no longer violates the minimum QE entered by the operator.

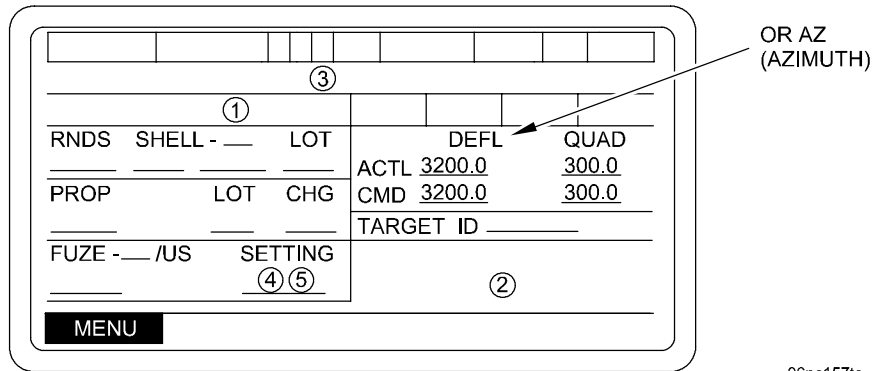
A type 2 audio alert shall be generated until the ACK key is pressed.

06pc243t

Listed below are the legal values for each field of the OTHER VOLLEY display:

- RNDS = 1..99
- SHELL = Shell model (see Table O-6)
- SHELL LOT = A..Z
- PROP = Propellant model (see Table O-6)
- PROP LOT = A..Z
- CHG = Propellant charge designator (see Table O-5)

O-4 PDFCS OPERATING CONTROLS AND INDICATORS - CONTINUED



06pc157tc

Listed below are the legal values for each field of the SECTION IN ORDER display:

- RNDS = 0..99 or blank
- SHELL = Shell model only (see Table O-6) or blank
- SHELL LOT = A..Z or blank
- PROP = Propellant model (see Table O-6) or blank
- PROP LOT = A..Z or blank
- PROP CHG = Propellant charge designator (see Table O-6) or blank
- DEFL (or AZ) = 0.0..6399.9 mils
- QUAD = -200.0..+1600.0 mils
- TARGET ID = FPF/PRI target identification if a target exists; otherwise blank

The display data format for the SECTION IN ORDER screen follows in Table O-4.

O-4 PDFCS OPERATING CONTROLS AND INDICATORS - CONTINUED**Table O-4. Section In Order Display**

Field	Description	Conditions for display
1	FPF/PRI STATUS Range/Value: (1) BLANK (2) COMPUTING FPF/PRI (3) NO FPF/PRI EXISTS (4) UNABLE TO COMPUTE (5) SECTOR VIOLATION (6) MASK VIOLATION (7) INSUFFICIENT AMMO (8) NO FUZE INVENTORY (9) NO PROJ INVENTORY (10) NO PROP INVENTORY (11) BAD PROJ LOT MODEL (12) NO AMMO INV COMBO (13) INVALID AMMO COMBO (14) INSUFFICIENT RANGE (15) NO SOLUTION (16) NOT FPF TYPE MISSION (17) UNASSIGNED FPF/PRI (18) TARGET TOO CLOSE (19) TUBE EL VIOLATION (20) FDC COMP (INVERSE VIDEO)	(1) Displayed when no FPF/PRI exists. (2) Displayed while computing Fire Mission data for FPF/PRI. (3) Displayed when the FPF/PRI has not been received. (4) Displayed when the Paladin is unable to compute a ballistic solution for FPF/PRI. (5) Displayed when the commanded deflection for FPF/PRI is outside the Sector of Fire. (6) Displayed when the FPF/PRI Firing Data violates Mask. (7) Displayed when the Ammo inventory is insufficient to support all phases of Fire Mission. (8) Displayed when the specified Fuze not in inventory. (9) Displayed when the specified Proj not in inventory. (10) Displayed when the specified Prop not in inventory. (11) Displayed when the specified Proj Lot/Model conflict. (12) Displayed when the specified Ammo combination is not in inventory. (13) Displayed when the specified shell/fuze/prop is invalid. (14) Displayed when the Paladin can not range the target. (15) Displayed when the Paladin can not compute a firing solution. (16) Displayed when in an active FPF(Adjust Fire), and an EOM/RAT is received with refinement data. (17) Displayed when an FPF/PRI stored target is received and the fire mission is not assigned to this gun. (18) Displayed when an FPF/PRI has been established and Paladin has moved too close to range the target. (19) Displayed when an FPF/PRI stored target at a fire point or fire area, and a tube elevation violation has been detected during the mask result checks. (20) Displayed when an FPF/PRI stored target at a fire point or fire area, and the fire mission was computed by the FDC.

O-4 PDFCS OPERATING CONTROLS AND INDICATORS - CONTINUED

Table O-4. Section in Order Display - Continued

Field	Description	Conditions for display
2	SECTION IN ORDER STATUS Range/Value: (1) SECTION IN ORDER AT FIRE POINT (2) SECTION IN ORDER AT IN ROUTE POINT (3) SECTION IN ORDER WITHIN FIRE AREA	(1) Arrived at a Fire Point. (2) Arrived at any point short of Fire Point or Fire Area. (3) Arrived within the Fire Area radius as defined in the Move Order.
3	CONTROL STATUS Range/Values: (1) DO NOT MOVE/DO NOT LOAD (2) DO NOT MOVE (3) MOVES ALLOWED (4) MOVES ALLOWED/DO NOT LOAD	(1) Arrived at Fire Point and an FPF/PRI exists. (2) Arrived at Fire Point and NO FPF/PRI exists. (3) Arrived at Fire Area and NO FPF/PRI exists. (4) Arrived at Fire Area and an FPF/PRI exists.
4	FUZE MODE Range/Values: (1) PD (2) DLY (3) TI (4) VT (5) Blank	(1) Fuze Mode is Point Detonating or "Q". (2) Fuze Mode is Delay. (3) Fuze Mode is Time. (4) Fuze Mode is Variable Time. (5) If copperhead fire mission or an XM982 or M892 fire mission is in DNL status.
5	FUZE SETTING TIME Range/Values: (1) NNN.N (where NNN.N is the time setting in seconds.) (2) NN PPP (where NNN.N is the fuze setting and PPP is the PRF Code) (3) Blank	(1) Fuze setting in seconds. (2) Shell is M712. (3) If fuze mode is PD or DLY and shell is not XM 982 or if an XM982 mission.

O-4 PDFCS OPERATING CONTROLS AND INDICATORS - CONTINUED**Table O-5. Charge Displayed Based on Propellant Model**

Charge Displayed	Based on Propellant Model
3G, 4G, 5G	M3, M3A1, M3A1BG, M3C2, DM62
3G, 4G, 5G, 6G	MLE56
6W, 7W, 8W, 9W, 9BW	MLE69
3W, 4W, 5W, 6W, 7W	M4A1, M4A2, M4C3, M4C4, DM42, DM42B1, NM23
8	M119A1, NR13C1
7R	M119A2, M119A2BG, EBO-5, DM52
8R	M203
8S	M203A1
1L, 2L	M231
3H, 4H, 5H	M232, M232A1

O-4 PDFCS OPERATING CONTROLS AND INDICATORS - CONTINUED

Table O-6. U.S Shell/Fuze Combinations Cross Reference

Shell		Fuze										Propellants				
CC	Model	Q		D		CP		CPD		TI		VT		CC	Model	Charges
		CC	Model	CC	Model	CC	Model	CC	Model	CC	Model	CC	Model			
US	M718													US	M3A1	3-5
	FCI 155-AR-A													US	M4A1	3-7
	Supplement 4													US	M4A2	3-7
														US	M119A1	8
														US	M119A2	7R
														US	M231	1-2
														US	M232	3-4
														US	M232A1	3-4
US	M718A1													US	M3A1	3-5
	FCI 155-AR-A													US	M4A1	3-7
	Supplement 4													US	M4A2	3-7
														US	M119A1	8
														US	M119A2	7R
														US	M231	1-2
														US	M232	3-4
														US	M232A1	3-4
US	M741													US	M3A1	3-5
	FCI 155-AR-A													US	M4A1	3-7
	Supplement 4													US	M4A2	3-7
														US	M119A1	8
														US	M119A2	7R
														US	M231	1-2
														US	M232	3-4
														US	M232A1	3-4
US	M741A1													US	M3A1	3-5
	FCI 155-AR-A													US	M4A1	3-7
	Supplement 4													US	M4A2	3-7
														US	M119A1	8
														US	M119A2	7R
														US	M231	1-2
														US	M232	3-4
														US	M232A1	3-4
US	M692													US	M3A1	3-5
	FCI 155-AR-A													US	M4A1	3-7
	Supplement 3													US	M4A2	3-7
														US	M119A1	8
														US	M119A2	7R
														US	M231	1-2
														US	M232	3-4
														US	M232A1	3-4

O-4 PDFCS OPERATING CONTROLS AND INDICATORS - CONTINUED

Table O-6. U.S Shell/Fuze Combinations Cross Reference - Continued

Shell		Fuze										Propellants				
CC	Model	Q		D		CP		CPD		TI		VT		CC	Model	Charges
		CC	Model	CC	Model	CC	Model	CC	Model	CC	Model	CC	Model			
US	M731									US	M577			US	M3A1	3-5
	FCI 155-AR-A									US	M577A1			US	M4A1	3-7
	Supplement 3									US	M762			US	M4A2	3-7
										US	M762A1			US	M119A1	8
														US	M119A2	7R
														US	M231	1-2
														US	M232	3-4
														US	M232A1	3-4
US	M712													US	M3A1	4-5
	FCI 155-AS-A													US	M4A1	4-7
														US	M4A2	4-7
														US	M119A1	8
														US	M119A2	7R
														US	M231	2
														US	M232	3
														US	M232A1	3
US	M107DC	US	M557	US	M557	US	MK399	US	MK399	US	M564	US	M728	US	M3A1	3-5
	FCI 155-AM-B	US	M739	US	M739					US	M582	US	M732	US	M4A1	3-7
		US	M739A1	US	M739A1					US	M582A1	US	M732A2	US	M4A2	3-7
		US	M782	US	M782					US	M767	US	M782	US	M119A1	8
		US	MK399	US	MK399					US	M767A1			US	M119A2	7R
		US*	M582							US	M782			US	M231	1-2
		US*	M582A1											US	M232	3-4
		US*	M564											US	M232A1	3-4
		US*	M767													
		US*	M767A1													
		US*	M728													
		US*	M732													
		US*	M732A2													
US	M449A1									US	M565			US	M3A1	3-5
	FCI 155-AM-B									US	M577			US	M4A1	3-7
	Supplement 6									US	M577A1			US	M4A2	3-7
										US	M762			US	M119A1	8
										US	M762A1			US	M119A2	7R
														US	M231	1-2
														US	M232	3-4
														US	M232A1	3-4
US	M483A1									US	M577			US	M3A1	3-5
	FCI 155-AR-A									US	M577A1			US	M4A1	3-7
	Supplement 1									US	M762			US	M4A2	3-7
										US	M762A1			US	M119A1	8
														US	M119A2	7R
														US	M231	1-2
														US	M232	3-4
														US	M232A1	3-4

US*-TI or VT fuzes in the point detonating mode

O-4 PDFCS OPERATING CONTROLS AND INDICATORS - CONTINUED

Table O-6. U.S Shell/Fuze Combinations Cross Reference - Continued

Shell		Fuze										Propellants				
CC	Model	Q		D		CP		CPD		TI		VT		CC	Model	Charges
		CC	Model	CC	Model	CC	Model	CC	Model	CC	Model	CC	Model			
US	M795	US	M557	US	M557	US	MK399	US	MK399	US	M564	US	M732	US	M3A1	3-5
	FCI 155-AR-A	US	M739	US	M739					US	M582	US	M732A2	US	M4A1	4-7
		US	M739A1	US	M739A1					US	M582A1	US	M782	US	M4A2	4-7
		US	M782	US	M782					US	M767			US	M119A1	8
		US	MK399	US	MK399					US	M767A1			US	M119A2	7R
		US*	M582							US	M782			US	M203	8R
		US*	M582A1											US	M203A1	8S
		US*	M564											US	M231	1-2
		US*	M767											US	M232	3-5
		US*	M767A1											US	M232A1	3-5
		US*	M732													
		US*	M732A2													
US	M864									US	M577			US	M4A1	7
	FCI 155-AU-A									US	M577A1			US	M4A2	7
										US	M762			US	M119A1	8
										US	M762A1			US	M119A2	7R
														US	M203	8R
														US	M203A1	8S
														US	M232	3-5
														US	M232A1	3-5
US	M864A1									US	M577			US	M4A1	7
	FCI 155-AU-A									US	M577A1			US	M4A2	7
										US	M762			US	M119A1	8
										US	M762A1			US	M119A2	7R
														US	M203	8R
														US	M203A1	8S
														US	M232	3-5
														US	M232A1	3-5
US	M549	US	M557	US	M557	US	MK399	US	MK399	US	M582	US	M732A2	US	M4A1	7
	FCI 155-AO-A	US	M739	US	M739					US	M582A1	US	M782	US	M4A2	7
		US	M739A1	US	M739A1					US	M767			US	M119A1	8
		US	M782	US	M782					US	M767A1			US	M119A2	7R
		US	MK399	US	MK399					US	M782			US	M232	3-4
		US*	M582											US	M232A1	3-4
		US*	M582A1													
		US*	M767													
		US*	M767A1													
		US*	M732A2													

US*-TI or VT fuzes in the point detonating mode

O-4 PDFCS OPERATING CONTROLS AND INDICATORS - CONTINUED

Table O-6. U.S Shell/Fuze Combinations Cross Reference - Continued

Shell		Fuze										Propellants				
CC	Model	Q		D		CP		CPD		TI		VT		CC	Model	Charges
		CC	Model	CC	Model	CC	Model	CC	Model	CC	Model	CC	Model			
US	M549A1	US	M557	US	M557	US	MK399	US	MK399	US	M582	US	M732A2	US	M4A1	7
	FCI 155-AO-A	US	M739	US	M739					US	M582A1	US	M782	US	M4A2	7
		US	M739A1	US	M739A1					US	M767			US	M119A1	8
		US	M782	US	M782					US	M767A1			US	M119A2	7R
		US	MK399	US	MK399					US	M782			US	M203	8R
		US*	M582											US	M203A1	8S
		US*	M582A1											US	M232	3-5
		US*	M767											US	M232A1	3-5
		US*	M767 A1													
		US*	M732A2													
US	M485A1									US	M565			US	M3A1	3-5
	FCI 155-AM-B									US	M577			US	M4A1	3-7
	Supplement 5									US	M577A1			US	M4A2	3-7
										US	M762			US	M119A1	8
										US	M762A1			US	M119A2	7R
														US	M231	1-2
														US	M232	3-4
														US	M232A1	3-4
US	M485A2									US	M565			US	M3A1	3-5
	FCI 155-AM-B									US	M577			US	M4A1	3-7
	Supplement 5									US	M577A1			US	M4A2	3-7
										US	M762			US	M119A1	8
										US	M762A1			US	M119A2	7R
														US	M231	1-2
														US	M232	3-4
														US	M232A1	3-4
US	M898									US	M577A1			US	M3A1	3-5
	FCI 155-AR-A									US	M762A1			US	M4A1	3-7
	Supplement 7													US	M4A2	3-7
														US	M119A1	8
														US	M119A2	7R
														US	M203	8R
														US	M203A1	8S
														US	M231	1-2
														US	M232	3-5
														US	M232A1	3-5

US*-TI or VT fuzes in the point detonating mode

O-4 PDFCS OPERATING CONTROLS AND INDICATORS - CONTINUED

Table O-6. U.S Shell/Fuze Combinations Cross Reference - Continued

Shell		Fuze										Propellants				
		Q		D		CP		CPD		TI					VT	
CC	Model	CC	Model	CC	Model	CC	Model	CC	Model	CC	Model	CC	Model	Charges		
US	M110 (WP)	US	M557	US	M557					US	M564			US	M3A1	3-5
	FCI 155-AM-B	US	M739	US	M739					US	M582			US	M4A1	3-7
	Supplement 1	US	M739A1	US	M739A1					US	M582A1			US	M4A2	3-7
		US	M782	US	M782					US	M767			US	M119A1	8
		US*	M582							US	M767A1			US	M119A2	7R
		US*	M582A1							US	M782			US	M231	1-2
		US*	M564											US	M232	3-4
		US*	M767											US	M232A1	3-4
		US*	M767A1													
US	M110A1 (WP)	US	M557	US	M557					US	M564			US	M3A1	3-5
	FCI 155-AM-B	US	M739	US	M739					US	M582			US	M4A1	3-7
	Supplement 1	US	M739A1	US	M739A1					US	M582A1			US	M4A2	3-7
		US	M782	US	M782					US	M767			US	M119A1	8
		US*	M582							US	M767A1			US	M119A2	7R
		US*	M582A1							US	M782			US	M231	1-2
		US*	M564											US	M232	3-4
		US*	M767											US	M232A1	3-4
		US*	M767A1													
US	M110A2 (WP)	US	M557	US	M557					US	M564			US	M3A1	3-5
	FCI 155-AM-B	US	M739	US	M739					US	M582			US	M4A1	3-7
	Supplement 1	US	M739A1	US	M739A1					US	M582A1			US	M4A2	3-7
		US	M782	US	M782					US	M767			US	M119A1	8
		US*	M582							US	M767A1			US	M119A2	7R
		US*	M582A1							US	M782			US	M231	1-2
		US*	M564											US	M232	3-4
		US*	M767											US	M232A1	3-4
		US*	M767A1													
US	M116A1/HC									US	M565			US	M3A1	3-5
	FCI 155-AM-B									US	M577			US	M4A1	3-7
	Supplement 2									US	M577A1			US	M4A2	3-7
										US	M762			US	M119A1	8
										US	M762A1			US	M119A2	7R
														US	M231	1-2
														US	M232	3-4
														US	M232A1	3-4
US	M825									US	M577			US	M3A1	3-5
	FCI 155-AR-A									US	M577A1			US	M4A1	3-7
	Supplement 5									US	M762			US	M4A2	3-7
										US	M762A1			US	M119A1	8
														US	M119A2	7R
														US	M231	1-2
														US	M232	3-4
														US	M232A1	3-4

US*-TI or VT fuzes in the point detonating mode

O-4 PDFCS OPERATING CONTROLS AND INDICATORS - CONTINUED

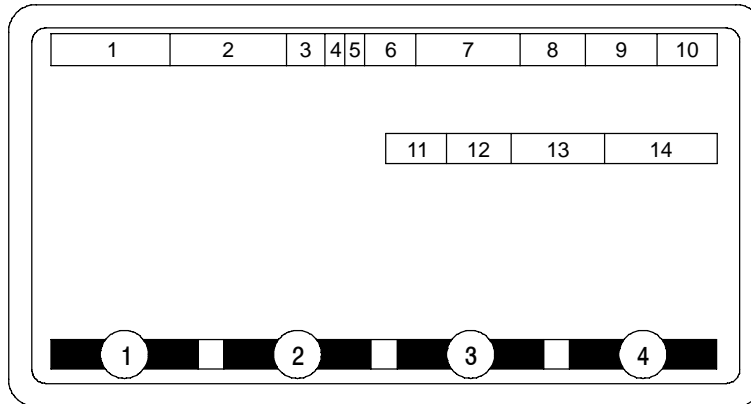
Table O-6. U.S Shell/Fuze Combinations Cross Reference - Continued

Shell		Fuze										Propellants				
		Q		D		CP		CPD		TI					VT	
CC	Model	CC	Model	CC	Model	CC	Model	CC	Model	CC	Model	CC	Model	Charges		
US	M825A1									US	M577			US	M3A1	3-5
	FCI 155-AR-A									US	M577A1			US	M4A1	3-7
	Supplement 5									US	M762			US	M4A2	3-7
										US	M762A1			US	M119A1	8
														US	M119A2	7R
														US	M203	8R
														US	M203A1	8S
														US	M231	1-2
														US	M232	3-5
														US	M232A1	3-5
US	DM702									US	M762A1			US	M232	3-5
	FCI 155-AR-A													US	M232A1	3-5
	Supplement 9															
US	DM702A1									US	M762A1			US	M232	3-5
	FCI 155-AR-A													US	M232A1	3-5
	Supplement 9															
US	155BONUS									US	M577			US	M232	3-5
	FCI 155-AU-A									US	M577A1			US	M232A1	3-5
	Supplement 2									US	M762					
										US	M762A1					
US	O155ACF1BO-NUS									US	M577			US	M232	3-5
	FCI 155-AU-A									US	M577A1			US	M232A1	3-5
	Supplement 2									US	M762					
										US	M762A1					
US	XM982													US	M232	3-4
	FCI 155-BB-PAD													US	M232A1	3-4

O-4 PDFCS OPERATING CONTROLS AND INDICATORS - CONTINUED

Function Key Labels- This block is used to identify the function of the four softkeys.

softkey messages and task actions are also displayed in this area to give the PDFCS operator a means of keeping track of various PDFCS related actions during Fire Control operation. Typical messages are shown below:



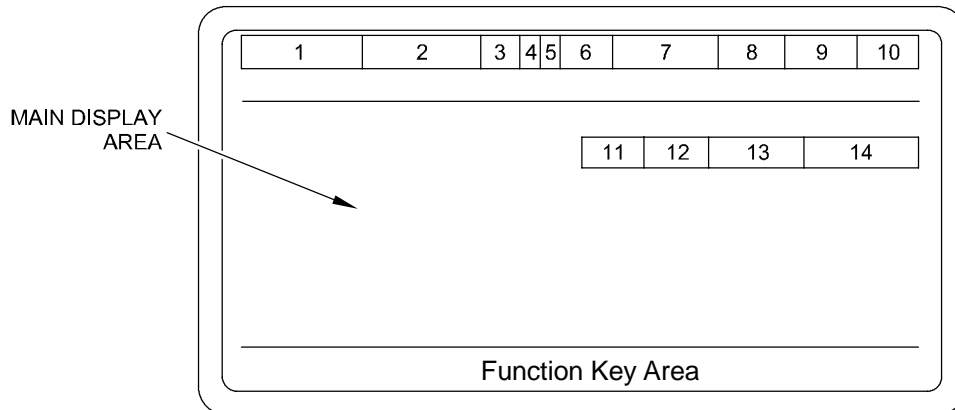
06pc088m

- | | |
|--|---|
| <p>① Function Key 1, indicates what may appear in this field.
 SELECT
 NEXT MSG
 +/-
 MARK
 ADJ
 PREV
 MENU
 VERIFY
 PREV</p> | <p>③ Function Key 3, indicates what may appear in this field.
 CHECK
 DELETE
 YES
 USE GPS
 EMPLACE
 STEERTO
 FFE2
 SEND
 CLEAR
 EXPECTED</p> |
| <p>② Function Key 2, indicates what may appear in this field.
 USE ALL
 FINISHED
 NEXT PAGE
 +/-
 FINISHED
 USE LOCAL
 FFE1
 INVENTORY
 ARRIVED
 UPDATE EFC
 CLEAR</p> | <p>④ Function Key 4, indicates what may appear in this field.
 CANCEL
 ACK
 EOM
 NO
 CONTINUE
 MOVING
 EXIT
 ABORT</p> |

O-4 PDFCS OPERATING CONTROLS AND INDICATORS - CONTINUED

Table O-7. Urgent Messages

Audio Alert	Operator Alert/Message	Cause	Removal Conditions	Operator Notes
Type 2	"PALADIN CHECK-FIRED" "ACK"	The Paladin received a "Check Fire All" or "Check Fire By Target Number".	Operator presses "ACK"	<p>If the Paladin received a "CHECK FIRE ALL", all fire missions will be stopped until a "CANCEL CHECK FIRE ALL" message is received from the FDC.</p> <p>If the Paladin received a "CHECK FIRE TARGET", the fire mission with the matching target number will be stopped until a "CANCEL CHECK FIRE TARGET" message is received with a matching target ID is received from the FDC.</p>



06pc088mf

O-4 PDFCS OPERATING CONTROLS AND INDICATORS - CONTINUED**Table O-8. High Priority Messages**

Audio Alert	Operator Alert/Message	Cause	Removal Conditions	Operator Notes
Type 1	"FIRE"	The Paladin received a "Fire" command (At My Command) or is in a Time On Target Mission, and the TOT countdown timer reaches 0.	"SHOT" is detected (softkey, DRUH, or MVS), operator aborts, Checkfire by Target Number, Check-fire All, or End Of Mission is received.	Fire the mission.
Type 2	"AUX BATTERY NOT CONNECTED" "ACK"	AUX battery isn't connected or a PCU failure has occurred.	Operator presses "ACK"	On PCU, check AUX Battery connections and circuit breakers.
Type 2	"AUX POWER LOW" "ACK"	The PCU reports vehicle power voltage is getting low and the AUX battery can't support operation.	Operator presses "ACK"	Start vehicle to charge batteries.
Type 2	"FIRE MISSION RCVD" "ACCEPT" "REJECT"	A Fire Mission was received while PDFCS was in Maintenance mode.	Operator presses "ACCEPT" or "REJECT"	Acceptance of the Fire Mission terminates all maintenance functions and continues the Fire Mission. Rejection of the Fire Mission forces a tube clear, aborts the Fire Mission, and continues maintenance functions.
Type 2	"FIRE MISSION RECEIVED" "ACK"	A new Fire Mission (not operator initiated) or a continuation of an active mission was received.	Operator presses "ACK"	PDFCS transitions to the Fire Mission screen and continues Fire Mission Processing.
Type 2	"FUZE EXPIRED CALL FDC" "ACK"	The Inductive Fuze timer has expired (reached 0).	Operator presses "ACK"	Contact the FDC for instructions.
Type 2	"FUZE EXPIRES IN 1 MIN CALL FDC" "ACK"	The Inductive Fuze timer has reached 60 seconds (1 min) remaining.	Operator presses "ACK"	Contact the FDC for instructions.
Type 2	"IFS OUT" "ACK"	The Inductive Fuze Setter is not operational.	Operator presses "ACK"	Correct the failure condition before Paladin will be capable of firing Inductive Fuze missions. Review the IFS STATUS display for additional information.

O-4 PDFCS OPERATING CONTROLS AND INDICATORS - CONTINUED**Table O-8. High Priority Messages - Continued**

Audio Alert	Operator Alert/Message	Cause	Removal Conditions	Operator Notes
Type 2	"MOVE MISSION RECEIVED" "ACK"	A move mission was received from the FDC.	Operator presses "ACK"	PDFCS transitions to the Move Order screen and continues move mission processing.
Type 2	"MOVE ORDER RECEIVED" "ACK"	A Move Order was received.	Operator presses "ACK"	Start the Move Order.
Type 2	"NAV CONFLICT-UPDATE NAV" "ACK"	An unexplained and unreasonable change in DRUH position was detected.	Operator presses "ACK"	Perform a NAV Update.
Type 2	"NAV EXCESSIVE RATE RESTART REQ" "ACK"	Excessive vehicle motion caused the DRUH to lose accuracy.	Operator presses "ACK"	Perform a NAV Restart.
Type 2	"NAV OUT, DRU BIT FAIL" "ACK"	The DRUH reports a BIT failure.	Operator presses "ACK"	Cycle PDFCS power. If the fault does not clear, notify unit maintenance.
Type 2	"NAV OUT, DRU DISCONNECT" "ACK"	The PDCU has lost communications with the DRUH.	Operator presses "ACK"	If DRUH does not "hum", check power cable connections and PCU circuit breakers. Perform a System Restart when power is restored. If DRUH "hums", check W-17A connections and perform a NAV Restart. If problem persists, notify unit maintenance.
Type 2	"NAV OUT, DRU INERTIAL FAIL" "ACK"	DRUH BIT reported Inertial Fail.	Operator presses "ACK"	Cycle PDFCS power. If the problem persists, notify unit maintenance.
Type 2	"NAV OUT, DRU OP FAIL" "ACK"	PDCU detected abnormal DRUH data.	Operator presses "ACK"	NOTE: During the first 90 seconds of a NAV Restart, performing a VMS test may trigger a DRU OP FAIL. Perform a System Restart.
Type 2	"NAV OUT, NSP DISCONNECT" "ACK"	Displayed when the Critical Error signal is generated within the software.	Operator presses "ACK"	Check NAV connections and perform a NAV Restart.
Type 2	"NAV OUT, NSP POWER UP BIT" "ACK"	The PDCU NAV subsystem interface has failed or has not initialized correctly.	Operator presses "ACK"	Perform a System Restart. If failure repeats, notify unit maintenance.

O-4 PDFCS OPERATING CONTROLS AND INDICATORS - CONTINUED

Table O-8. High Priority Messages - Continued

Audio Alert	Operator Alert/Message	Cause	Removal Conditions	Operator Notes
Type 2	"NOT PGM CAPABLE-GPS" "ACK"	GPS data is inadequate to set/initialize GPS guided munitions.	Operator presses "ACK"	Check the GPS/DAGR connections and correct as required. The howitzer may need to be moved in order to receive signals from additional satellites. Check the IFS STATUS display for additional information.
Type 2	"NOT PGM CAPABLE-MAINTENANCE" "ACK"	An IFS hardware failure renders Paladin incapable of firing GPS guided munitions.	Operator presses "ACK"	Check IFS cables and connections to correct this condition before GPS guided munitions can be fired. Check the IFS STATUS display for additional information.
Type 2	"ON AUX POWER START VEHICLE" "ACK"	PCU reports operating on AUX battery because vehicle voltage is too low.	Operator presses "ACK"	Start vehicle engine to charge batteries.
Type 2	"OVERRIDE AZ LIMITS" "YES" "NO"	The tube has exceeded traverse limits when it's position is +/-45 degrees (+/-3 degrees) from the defined stow azimuth.	Operator selects "YES" or "NO"	If YES is selected, the Lay key will continue to function while holding the OVERRIDE switch. The override will be in effect until the tube is within traverse limits. If NO is selected, the Lay key will no longer function. If NO is selected in error, the howitzer will have to be layed with either the hand wheels or the power control handles.
Type 2	"POWER FAILURE SHUTDOWN"	PCU reports vehicle and AUX battery voltages are too low to sustain operation.	No operator action required.	The PDFCS will shut down automatically.
Type 2	"VEHICLE AND AUX POWER OK" "ACK"	PCU reports both vehicle and back up battery are ok after a problem has been corrected.	Operator presses "ACK"	No further action is required.
Type 2	"ZEROIZE IFS/GPS COMPLETE" "ACK"	The IFS/GPS was zeroized successfully.	Operator presses "ACK"	No further action required.
Type 2	"ZEROIZE IFS/GPS FAILED" "ACK"	The IFS/GPS failed a zeroize attempt.	Operator presses "ACK"	Check the IFS/GPS cable connections and retry.

O-4 PDFCS OPERATING CONTROLS AND INDICATORS - CONTINUED

Table O-9. Low Priority Messages with Audio Alerts

Audio Alert	Operator Alert/Message	Cause	Removal Conditions	Operator Notes
Type 2	"BORESIGHT UPDT RJTD VEH MOVING" "ACK"	Motion detected during DRUH boresight angle entry.	Operator presses "ACK"	Ensure Paladin is stationary and re-enter boresight angles.
Type 2	"CC MISMATCH" "ACK"	Country Codes (CC) for the selected shells and propellants do not match.	Operator presses "ACK"	Resolve the country code mismatch between the projectile and propellant.
Type 2	"CHK DATA BASE BAD DATA DETECTED" "ACK"	The value of one or more NVM data elements was found to be out of range during initialization.	Operator presses "ACK"	The PDFCS discards NVM data and initializes the database to default values. The operator must manually enter all NVM data (i.e. ammo, location, prop temp, etc.).
Type 2	"CLOCK UPDATE RJTD FM ACTIVE" "ACK"	A Date/Time Update was attempted while a Fire Mission was active.	Operator presses "ACK"	Complete or abort the Fire Mission before changing Date/Time settings.
Type 2	"COMMO OUT" "ACK"	A known operational CP has failed.	Operator presses "ACK"	Cycle PDFCS power.
Type 2	"DEPARTED FIRE AREA RADIUS" "ACK"	The Paladin leaves the Fire Area without a current move order.	Operator presses "ACK"	No further action required.
Type 2	"DIRECT FIRE RJTD TGT COMP ERR" "ACK"	A value greater than (-) 400 is entered in the Up/Down selection of the Direct Fire Display.	Operator presses "ACK"	Verify target information and re-enter as needed.
Type 2	"DRU CONNECTED" "ACK"	The PDCU has re-established communication with the DRUH.	Operator presses "ACK"	No further action required.
Type 2	"DRU NO LONGER OVERTEMP" "ACK"	The DRUH is no longer in an Overtemp state.	Operator presses "ACK"	If in an active Fire Mission, this message will be pended until EOM.
Type 2	"DRU OVERTEMP" "ACK"	The DRUH is too hot and may turn off to protect itself.	Operator presses "ACK"	If in an active Fire Mission, this message will be pended until EOM.

O-4 PDFCS OPERATING CONTROLS AND INDICATORS - CONTINUED

Table O-9. Low Priority Messages with Audio Alerts - Continued

Audio Alert	Operator Alert/Message	Cause	Removal Conditions	Operator Notes
Type 2	"DTG OUT OF SYNC-URN NNNNNNNN" "ACK"	A subscriber within the subscriber table has a DTG that is not in sync with the Paladin.	Operator presses "ACK"	Note: NNNNNNNN represents the URN of the subscriber that is out of sync with the Paladin. The operator must verify the current DTG.
Type 2	"ENTERED FIRE AREA RADIUS" "ACK"	The Paladin is in a current move order and enters the Fire Area.	Operator presses "ACK"	Select a suitable fire position, orient Paladin on the azimuth of fire, and conduct arrival processing.
Type 2	"FBCB2 ALARM" "ACK"	The FBCB2 sends the Paladin the triggering alarm.	Operator presses "ACK"	No further action required.
Type 2	"FBCB2 EVENT" "ACK"	The FBCB2 sends the Paladin the triggering event.	Operator presses "ACK"	No further action required.
Type 2	"FIRE CONTROL ALIGN REQUIRED" "ACK"	Boresight angles have not been stored or those stored in PDCU and DRUH differ.	Operator presses "ACK"	Perform Fire Control Align.
Type 2	"FIRE CONTROL INFO RCVD" "ACK"	The operator has entered boresight angles into the PDFCS.	Operator presses "ACK"	No further action required.
Type 2	"FIRE MISSION RJTD FM ACTIVE" "ACK"	A Direct Fire mission was attempted while in an active Fire Mission.	Operator presses "ACK"	Wait until Fire Mission is ended before attempting a Direct Fire mission.
Type 2	"FIRE MISSION RJTD IN CHECKFIRE" "ACK"	A Direct Fire mission was attempted while in Checkfire Target or Checkfire All.	Operator presses "ACK"	Wait until Cancel Checkfire Target or Cancel Checkfire All is received before attempting a Direct Fire mission.
Type 2	"FIRE MISSION RJTD NAV NOT INIT" "ACK"	A Direct Fire mission was attempted before the "OK TO MOVE OR SHOOT" message was displayed.	Operator presses "ACK"	Verify the NAV subsystem has been initialized with a NAV Update or Restart and wait for the "OK TO MOVE OR SHOOT" message before initiating a Direct Fire mission.

O-4 PDFCS OPERATING CONTROLS AND INDICATORS - CONTINUED**Table O-9. Low Priority Messages with Audio Alerts - Continued**

Audio Alert	Operator Alert/Message	Cause	Removal Conditions	Operator Notes
Type 2	"FIRE MISSION RJTD TGT COMP ERR" "ACK"	Calculated target altitude is below 400 meters based on entries in the Direct Fire Display	Operator presses "ACK"	Verify target information and re-enter as needed.
Type 2	"GPS ANTENNA FAULT" "ACK"	A GPS Antenna Fault was detected.	Operator presses "ACK"	Check cable connections between GPS receiver and antenna. If in an active Fire Mission, this message will be pended until EOM.
Type 2	"GPS ANTENNA OK" "ACK"	A GPS Antenna Fault was corrected.	Operator presses "ACK"	If in an active Fire Mission, this message will be pended until EOM.
Type 2	"GPS CONNECTED" "ACK"	The DRUH re-established communications with the GPS receiver.	Operator presses "ACK"	If in an active Fire Mission, this message will be pended until EOM.
Type 2	"GPS OPERATIONAL" "ACK"	A GPS failure was corrected.	Operator presses "ACK"	If in an active Fire Mission, this message will be pended until EOM.
Type 2	"GPS OUT-DISCONNECTED" "ACK"	The DRUH lost communications with the GPS receiver.	Operator presses "ACK"	Check power and signal cable connections to the GPS receiver and verify the receiver is turned on. If in an active Fire Mission, this message will be pended until EOM.
Type 2	"GPS OUT-FAILED" "ACK"	The GPS receiver reported a BIT failure.	Operator presses "ACK"	Disconnect data cable from GPS receiver and run GPS receiver self-test. If in an active Fire Mission, this message will be pended until EOM.
Type 2	"GPS UNKEYED" "ACK"	The GPS receiver doesn't have a valid crypto key loaded.	Operator presses "ACK"	Have a valid crypto key loaded into the GPS receiver. If in an active Fire Mission, this message will be pended until EOM.
Type 2	"GUN SWITCH FAULT" "ACK"	Hardware BIT detected a GUN (servo) switch fault.	Operator presses "ACK"	Check to see if the GUN SWITCH is in the up (on) position. If YES, place the GUN SWITCH in the down (off) position and perform a System Restart. If the GUN SWITCH is in the down (off) position, notify unit maintenance.
Type 2	"INP/GPS ALT EXCESSIVE" "ACK"	Altitude in a NAV Update or Restart deviates too much from the current GPS altitude.	Operator presses "ACK"	Verify current location, re-enter, and perform NAV Update or Restart. A second update may be accepted if the entered values remain the same.

O-4 PDFCS OPERATING CONTROLS AND INDICATORS - CONTINUED

Table O-9. Low Priority Messages with Audio Alerts - Continued

Audio Alert	Operator Alert/Message	Cause	Removal Conditions	Operator Notes
Type 2	"INP/GPS ALT REJECTED" "ACK"	Altitude in a NAV Update or Restart deviates too much from the current GPS altitude.	Operator presses "ACK"	Verify current location, re-enter, and perform NAV Update or Restart. A second update will be rejected if the entered values remain the same.
Type 2	"INP/GPS DELTA TOO LARGE" "ACK"	The DRUH returned an incorrect response to a NAV Update or Restart.	Operator presses "ACK"	Cycle PDFCS power.
Type 2	"INP/GPS N/E EXCESSIVE" "ACK"	Horizontal position in a NAV Update or Restart deviates too much from the current GPS position.	Operator presses "ACK"	Verify current location, re-enter, and perform NAV Update or Restart. A second update may be accepted if the entered values remain the same.
Type 2	"INP/GPS N/E REJECTED" "ACK"	Horizontal position in a NAV Update or Restart deviates too much from the current GPS position.	Operator presses "ACK"	Verify current location, re-enter, and perform NAV Update or Restart. A second update will be rejected if the entered values remain the same.
Type 2	"INP/NAV ALT EXCESSIVE" "ACK"	Entered altitude value exceeds the current DRUH acceptance criteria.	Operator presses "ACK"	Verify current location and perform NAV Update.
Type 2	"INP/NAV ALT REJECTED" "ACK"	Entered altitude value exceeds the current DRUH acceptance criteria.	Operator presses "ACK"	Verify current location and perform NAV Update. The DRUH will reject the second update if the values remain the same.
Type 2	"INP/NAV N/E EXCESSIVE" "ACK"	Entered northing and easting values are outside the current DRUH acceptance criteria.	Operator presses "ACK"	Verify current location and perform NAV Update. If the values remain the same, the DRUH will accept the update the second time.
Type 2	"INP/NAV N/E REJECTED" "ACK"	Entered northing and easting values are outside the current DRUH acceptance criteria.	Operator presses "ACK"	Verify current location and perform NAV Update. If the values remain the same, the DRUH will reject the second update.

O-4 PDFCS OPERATING CONTROLS AND INDICATORS - CONTINUED

Table O-9. Low Priority Messages with Audio Alerts - Continued

Audio Alert	Operator Alert/Message	Cause	Removal Conditions	Operator Notes
Type 2	"INVALID OPERATIONAL MODE" "ACK"	Selection of an invalid operational mode (Normal Operations, Maintenance, Training) was attempted.	Operator presses "ACK"	No further action required.
Type 2	"INVALID SOFTWARE CONFIGURATION" "ACK"	The software configuration is not valid.	Operator presses "ACK"	The PDFCS will continue to the Normal Operations mode selection screen.
Type 2	"MANUAL COMMANDS RJTD CHECKFIRE" "ACK"	A Manual Commands Fire Mission was received while in CHECKFIRE.	Operator presses "ACK"	NOTE: This warning will be displayed only if the CHECKFIRE originated from the Paladin. No further action required.
Type 2	"MANUAL COMMANDS RJTD FM ACTIVE" "ACK"	A Manual Commands Fire mission was received while in an active Fire Mission.	Operator presses "ACK"	No further action required.
Type 2	"MINIMUM QE NO LONGER VIOLATED" "ACK"	The tube returned above Min QE after the "Minimum QE Violated" warning was displayed.	Operator presses "ACK"	No further action required.
Type 2	"MINIMUM QE VIOLATED" "ACK"	While in an active Fire Mission and Load or Lay command forces tube below Min QE and volley is not Direct Fire.	Operator presses "ACK"	Determine if mission is safe to shoot and accept or abort as needed.
Type 2	"MVS OUT or MVS BUS OUT" "ACK"	If the MVS was operational and either the data in the status message indicates a failure or the PDFCS and MVS are no longer communicating, this alert will be displayed to the operator.	Operator presses "ACK"	The Paladin will no longer record MVV data. All MVVs will have to be received from FDC to be applied to Paladin computed Fire Missions.

O-4 PDFCS OPERATING CONTROLS AND INDICATORS - CONTINUED

Table O-9. Low Priority Messages with Audio Alerts - Continued

Audio Alert	Operator Alert/Message	Cause	Removal Conditions	Operator Notes
Type 2	"MVV DATABASE FULL, " "ACK"	The MVV database is full and the next MVV measured will be lost.	Operator presses "ACK"	If the operator takes no action to eliminate the saturation condition, velocity data from the MVS will be discarded until the condition is eliminated. Operator must delete MVV entries.
Type 2	"MVV DB ALMOST FULL" "ACK"	The MVV database is 95% full.	Operator presses "ACK"	If the operator takes no action to eliminate the saturation condition, velocity data from the MVS will be discarded until the condition is eliminated. Operator must delete MVV entries.
Type 2	"MVV DB FULL-DATA LOST" "ACK"	A MVV was recorded but could not be stored in database and was lost.	Operator presses "ACK"	If the operator takes no action to eliminate the saturation condition, velocity data from the MVS will be discarded until the condition is eliminated. Operator must delete MVV entries.
Type 2	"NAV POS UPDATE NO LONGER REQ" "ACK"	The DRUH accepted a NAV Update or valid GPS aiding data.	Operator presses "ACK"	No further action required.
Type 2	"NAV POS UPDATE REQUESTED" "ACK"	The DRUH requests a Position Update to restore accuracy.	Operator presses "ACK"	Perform a NAV Update.
Type 2	"NAV RESTART RJTD FM ACTIVE" "ACK"	A NAV Restart is pending and a fire mission is activated before the restart is executed.	Operator presses "ACK"	Complete or abort the Fire Mission and perform a NAV Restart.
Type 2	"NAV RESTART RJTD NAV OUT" "ACK"	NAV subsystem fails before a pending NAV Restart is executed.	Operator presses "ACK"	Cycle PDFCS power.
Type 2	"NAV RESTART RJTD VEH MOVING" "ACK"	Motion detected while DRUH was processing a NAV Restart.	Operator presses "ACK"	Ensure vehicle is stationary and perform NAV Restart.

O-4 PDFCS OPERATING CONTROLS AND INDICATORS - CONTINUED

Table O-9. Low Priority Messages with Audio Alerts - Continued

Audio Alert	Operator Alert/Message	Cause	Removal Conditions	Operator Notes
Type 2	"NET BUSY XXXXXX" "RETRY" "NO RETRY"	This message will be displayed for ANY Paladin transmitted message (i.e. AMMO, REQ AMMO, CHECKFIRE, FREE TEXT, VEH STS, REQ VEH STS, REQ INIT, SITE DATA, REQ SITE, REQ MOV ORD, MTO TOF, MTO DENY, MVV, REQ MVV, READY, ROUND COMP, SHOT, SPLASH, TARGET FILE, GEOMETRIES, RECORD OF FIRE, QUERY, POSITION REPORT and UTE BAT) if Net Busy (more than 55 messages in progress) is detected.	Operator selects "RETRY" or "NO RETRY"	If "RETRY" is selected, the PDFCS will attempt to retransmit the message. If "NO RETRY" is selected, the attempt to retransmit will be aborted.
Type 2	"NET CONFIG UPDTE RJTD FM ACTIVE" "ACK"	A Network Configuration Update is pending and a fire mission is received before the network access parameters have been processed.	Operator presses "ACK"	Complete or abort the Fire Mission before changing Network settings.
Type 2	"NETWORK COMMO OUT" "ACK"	A previously operational Radio Network Controller has failed.	Operator presses "ACK"	Perform a System Restart.

O-4 PDFCS OPERATING CONTROLS AND INDICATORS - CONTINUED

Table O-9. Low Priority Messages with Audio Alerts - Continued

Audio Alert	Operator Alert/Message	Cause	Removal Conditions	Operator Notes
Type 2	"NO ACK XXXXXX" "RETRY" NO RETRY"	An ACK for a message Paladin transmitted to a subscriber was not received (i.e. AMMO, REQ AMMO, CHECKFIRE, FREE TEXT, VEH STS, REQ VEH STS, REQ INIT, SITE DATA, REQ SITE, REQ MOV ORD, MTO TOF, MTO DENY, MVV, REQ MVV, READY, ROUND COMP, SHOT, SPLASH, TARGET FILE, GEOMETRIES, RECORD OF FIRE, QUERY, POSITION RE-PORT and UTE BAT).	Operator selects "RETRY" or "NO RETRY"	If "RETRY" is selected, the PDFCS will retransmit the message. If "NO RETRY" is selected, the attempt to transmit will be aborted.
Type 2	"NO BALLISTIC SOLUTION" "ACK"	The operator has entered fire mission data (i.e. target location, target altitude and shell/fuze combination) and the PDFCS has failed to determine a ballistic solution.	Operator presses "ACK"	Once "ACK" is pressed, the operator will be allowed to edit all fields on PALADIN FIRE COMMANDS ENTRY display. Verify fire mission data and re-enter as needed.
Type 2	"NO LEGAL AMMO INV COMBINATION" "ACK"	There is no legal Shell/Fuze combination in inventory, based on the generic Shell/Fuze combination selected by the operator, for a Paladin Computed Fire Commands fire mission.	Operator presses "ACK"	Edit the PALADIN FIRE COMMANDS ENTRY display.

O-4 PDFCS OPERATING CONTROLS AND INDICATORS - CONTINUED**Table O-9. Low Priority Messages with Audio Alerts - Continued**

Audio Alert	Operator Alert/Message	Cause	Removal Conditions	Operator Notes
Type 2	"OK TO MOVE OR SHOOT" "ACK"	The Initial howitzer location has been established and the NAV subsystem is aligned in survey.	Operator presses "ACK"	No further action required.
Type 2	"PALADIN COMMO OUT MIT RJTD" "ACK"	A CP failure prevents transmission of a message to the FDC.	Operator presses "ACK"	Perform a System Restart and re-try transmitting the message.
Type 2	"PDI WARNING RECEIVED" "ACK"	A PDI high priority warning has been received.	Operator presses "ACK"	The PDFCS will display "W" in inverse video on top line of the screen, to prompt the operator to check warning messages.
Type 2	"PDI OUT OR PDI BUS OUT" "ACK"	PDI was operational and then a PDI failure is detected.	Operator presses "ACK"	Perform System Restart to attempt to restore PDI.
Type 2	"POS UPDATE INTERRUPTED" "ACK"	DRUH detected motion when a NAV Update or Restart was in progress.	Operator presses "ACK"	Ensure vehicle is stationary, verify current location, and perform NAV Update or Restart.
Type 2	"POS UPDATE RJTD FM ACTIVE" "ACK"	A fire mission is activated before a pending NAV Update or Restart has executed.	Operator presses "ACK"	ABORT or complete fire mission and perform NAV Update or Restart.
Type 2	"POS UPDATE RJTD HOWITZER MOVG" "ACK"	DRUH detected vehicle motion during a NAV Update.	Operator presses "ACK"	Ensure vehicle is stationary and perform NAV Update or Restart.
Type 2	"POS UPDATE RJTD NAV OUT" "ACK"	NAV subsystem fails before a NAV Update can be processed.	Operator presses "ACK"	Cycle PDFCS power.
Type 2	"POSITION UPDATE BEYOND ZONE" "ACK"	Position in a NAV Update or Restart is outside the (extended) UTM zone boundaries.	Operator presses "ACK"	Verify current location, re-enter, and perform NAV Update or Restart.
Type 2	"POSITION UPDATE REQUIRED" "ACK"	DRUH requests a NAV Update to restore accuracy.	Operator presses "ACK"	Verify current location and perform a NAV Update.

O-4 PDFCS OPERATING CONTROLS AND INDICATORS - CONTINUED**Table O-9. Low Priority Messages with Audio Alerts - Continued**

Audio Alert	Operator Alert/Message	Cause	Removal Conditions	Operator Notes
Type 2	"PRESS ACK WHEN TUBE STOWED" "ACK"	The Paladin has moved since arrival processing was performed.	Operator presses "ACK"	Verify gun tube is stowed before pressing "ACK". Pressing "ACK" notifies the DRUH that it can use VMS aiding to extend time between ZUPT stops.
Type 2	"PRESS LOAD THEN READY" "ACK"	Displayed when a fire mission is an XM982 or M982 and the Method of Control is DNL.	Operator presses "ACK"	Ensure the XM982 or M982 projectile is on the loading tray, at the correct load elevation, and unrammed. Then press the "READY" softkey.
Type 2	"PROP TEMP UPDATE PENDED" "ACK"	Prop Temp was updated while a Fire Mission was active.	Operator presses "ACK"	The PROP TEMP UPDATE message will be pended until EOM is received.
Type 2	"PROP TEMP UPDATE REQUIRED" "ACK"	The Prop Temp Update time has expired since last entered.	Operator presses "ACK"	If in an active Fire Mission, the "PROP TEMP UPDATE REQUIRED" message will be pended until EOM.
Type 2	"RANGE TOO FAR" "ACK"	The Target Location entered during an Operator Initiated Fire Mission cannot be reached with Ammo currently in inventory.	Operator presses "ACK"	Once "ACK" is pressed, the operator shall be allowed to edit all fields on PALADIN FIRE COMMANDS ENTRY display. Verify the coordinates and re-enter, otherwise, this mission is not supportable from the current location.
Type 2	"RESET FUZE" "ACK"	A corrupt or unreadable fuze set message from PIK during a Fire Mission with GPS fuze.	Operator presses "ACK"	Reset fuze.
Type 2	"RESTART REQUIRED" "ACK"	A PDFCS software fault was detected.	Operator presses "ACK"	Perform a System Restart.
Type 2	"RESTART RJTD BAD POS" "ACK"	This message is displayed if the NAV system components do not agree upon the current howitzer location.	Operator presses "ACK"	Verify current position.
Type 2	"SIMULATED COMMO FAILURE" "ACK"	While in Embedded Training Level 4, a simulated commo failure occurs.	Operator presses "ACK"	Press the "ACK" softkey to continue. Pressing the "Secret" non-illuminated softkeys 2 or 3 on PDFCS STATUS display will clear all simulated failures.

O-4 PDFCS OPERATING CONTROLS AND INDICATORS - CONTINUED**Table O-9. Low Priority Messages with Audio Alerts - Continued**

Audio Alert	Operator Alert/Message	Cause	Removal Conditions	Operator Notes
Type 2	"SIMULATED COMMO FAILURE" "CLEAR"	While in Embedded Training Level 3, a simulated commo failure occurs.	Operator selects "CLEAR"	Press the "CLEAR" softkey to continue. This will clear all simulated failures.
Type 2	"SIMULATED ELECTRICAL FAILURE" "ACK"	While in Embedded Training Level 4, a simulated electrical failure occurs.	Operator presses "ACK"	Press the "ACK" softkey to continue. Pressing the "Secret" non-illuminated softkeys 2 or 3 on PDFCS STATUS display will clear all simulated failures.
Type 2	"SIMULATED ELECTRICAL FAILURE" "CLEAR"	While in Embedded Training Mode Level 3, a simulated electrical failure occurs.	Operator selects "CLEAR"	Press the "CLEAR" softkey to continue. This will clear all simulated failures.
Type 2	"SIMULATED FAILURES CLEARED" "ACK"	While in Embedded Training Level 4, operator cleared simulated failures.	Operator presses "ACK"	Press softkey 2 or 3 to clear simulated failures and display this alert.
Type 2	"SIMULATED HYDRAULIC FAILURE" "ACK"	While in Embedded Training Level 4, a simulated hydraulic failure occurs.	Operator presses "ACK"	Press the "ACK" softkey to continue. Pressing the "Secret" non-illuminated softkeys 2 or 3 on PDFCS STATUS display will clear all simulated failures.
Type 2	"SIMULATED HYDRAULIC FAILURE" "CLEAR"	While in Embedded Training Level 3, a simulated hydraulic failure occurs.	Operator selects "CLEAR"	Press the "CLEAR" softkey to continue. This will clear all simulated failures.
Type 2	"SIMULATED NAV FAILURE" "ACK"	While in Embedded Training Level 4, a simulated NAV failure occurs.	Operator presses "ACK"	Press the "ACK" softkey to continue. Pressing the "Secret" non-illuminated softkeys 2 or 3 on PDFCS STATUS display will clear all simulated failures.
Type 2	"SIMULATED NAV FAILURE" "CLEAR"	While in Embedded Training Mode Level 3, a simulated NAV failure occurs.	Operator selects "CLEAR"	Press the "CLEAR" softkey to continue. This will clear all simulated failures.
Type 2	"SIMULATED WPN FAILURE" "ACK"	While in Embedded Training Level 4, a simulated weapon failure occurs.	Operator presses "ACK"	Press the "ACK" softkey to continue. Pressing the "Secret" non-illuminated softkeys 2 or 3 on PDFCS STATUS display will clear all simulated failures.
Type 2	"SIMULATED WPN FAILURE" "CLEAR"	While in Embedded Training Level 3, a simulated weapon failure occurs.	Operator selects "CLEAR"	Press the "CLEAR" softkey to continue. This will clear all simulated failures.

O-4 PDFCS OPERATING CONTROLS AND INDICATORS - CONTINUED

Table O-9. Low Priority Messages with Audio Alerts - Continued

Audio Alert	Operator Alert/Message	Cause	Removal Conditions	Operator Notes
Type 2	"SITE DEFINITION UPDATE PENDED" "ACK"	Site data was updated while a Fire Mission was active.	Operator presses "ACK"	The "Site Definition" message will be pended until EOM is received.
Type 2	"TRANSMIT OVERRUN-RESET TCIM" "ACK"	There are more than 55 message transmissions in progress.	Operator presses "ACK"	Reset the TCIM.
Type 2	"TUBE TEMP SENSOR OUT" "ACK"	A previously operational Tube Temperature Sensor has failed.	Operator presses "ACK"	Monitor rates of fire to determine Safe Time In Tube.
Type 2	"UPDATE RJTD WRONG NAV MODE" "ACK"	NAV Update or Restart attempted when GUN SERVO is active or TBD.	Operator presses "ACK"	Perform a System Restart.
Type 2	"VEHICLE MOTION SENSOR GOOD" "ACK"	The VMS passed a DRUH initiated hardware test and operation has been restored.	Operator presses "ACK"	No further action required.
Type 2	"VEHICLE MOTION SENSOR OUT" "ACK"	DRUH BIT declared the VMS Failed.	Operator presses "ACK"	If in an active Fire Mission, the "VEHICLE MOTION SENSOR OUT" message will be pended until EOM.
Type 2	"WPN OUT" "ACK"	The BCWC has failed.	Operator presses "ACK"	Perform a System Restart.
Type 2	"WPN SUBSYSTEM OUT" "ACK"	The Weapon Control portion of the BCWC (WC) has failed.	Operator presses "ACK"	Perform a System Restart.
Type 2	"ZUPT NO LONGER REQUIRED" "ACK"	The DRUH completed a ZUPT or good GPS aiding data became available.	Operator presses "ACK"	No further action required.
Type 2	"ZUPT REQUIRED" "ACK"	The DRUH requests a ZUPT stop to maintain accuracy.	Operator presses "ACK"	Ensure vehicle is stationary and wait approximately 30 seconds for the "ZUPT NO LONGER REQUIRED" "ACK" message to be displayed.

O-4 PDFCS OPERATING CONTROLS AND INDICATORS - CONTINUED

Table O-10. Low Priority Messages without Audio Alerts

Audio Alert	Operator Alert/Message	Cause	Removal Conditions	Operator Notes
None	"AZIMUTH OF FIRE NOT IN SECTOR" "ACK"	The entered Azimuth of Fire is outside the entered Sector of Fire.	Operator presses "ACK"	Verify the Sector and Azimuth of Fire and re-enter as needed.
None	"CEASE LOAD"	Cease load means that loading of rounds is suspended. If a round is already loaded, it may be shot, and loading will cease.	Operator selects "SHOT", "CLEAR" or "CHECK".	If "SHOT" or "CLEAR" is selected, the PDFCS will transition to the Verification display. If "CHECK" is selected, normal "CHECKFIRE" processing is followed.
None	"CHANGE COMM CONFIG" "YES" "NO"	Communication Configuration was selected, in the Network Settings Display, and there is an active network already established.	Operator selects "YES" or "NO"	If "YES" is selected, the PDFCS transitions to the Standard Communication Configuration display. The operator may select another Network setting and modify as needed. If "NO" is selected, no changes to the Communication Configuration will be made.
None	"CHANGE TO XXXXXX?" "YES" "NO" Where XXXXXX represents "BACK UP" OR "PRIMARY".	The controlling FDC field was selected on the Edit Addresses display.	Operator selects "YES" or "NO"	If "YES" is selected, the controlling FDC will change to either "BACK UP" or "PRIMARY". If "NO" is selected, changes to the controlling FDC will be made and the display will transition to the address line.
None	"CLEAR *ASTERISKS* TO CONTINUE" "ACK"	"USE ALL" was selected while there are fields with asterisks in the Edit Addresses display.	Operator presses "ACK"	Review addresses and enter all required fields to clear all asterisks before selecting "USE ALL". The Fields required are Paladin URN, FDC (control) URN and Station Rank for both.
None	"DEGRADED-ACK TO CONTINUE" "ACK"	A Degraded Power Up status was detected.	Operator presses "ACK"	No further action required, unless the degraded item is needed for operation. In which case, troubleshoot and cycle PDFCS power.
None	"DELETE ADDRESS" "YES" "NO"	"DELETE" was selected in the Edit Addresses display.	Operator selects "YES" or "NO"	If "YES" is selected, the boxed Address or Station Rank will be deleted. If "NO" is selected, no changes will be made to the boxed Address or Station Rank.
None	"DISTANCE EXCEEDS 350 KM" "ACK"	A Manual Move Order was entered to a location more than 350KM away.	Operator presses "ACK"	Verify Destination coordinates and re-enter.

O-4 PDFCS OPERATING CONTROLS AND INDICATORS - CONTINUED

Table O-10. Low Priority Messages without Audio Alerts - Continued

Audio Alert	Operator Alert/Message	Cause	Removal Conditions	Operator Notes
None	"DOWNLOAD COMPLETE" "ACK"	Download of an ET level 3 or 4 scenario from a local disk completed successfully.	Operator presses "ACK"	No further action required.
None	"DOWNLOAD FAILED" "ACK"	Download of an ET level 3 or 4 scenario from a local disk did not complete successfully.	Operator presses "ACK"	Check connections and re-try.
None	"DUPLICATE ADDRESS" "ACK"	One or more IP/Station addresses are customized in Advanced Communication Settings, which resulted in a duplicate condition.	Operator presses "ACK"	This alert/error may not be noticed until another attempt to change Network settings is made. Advanced Communication Settings should <i>NEVER</i> be used unless directed by FDC. Return to "BASIC MODE" to reset default settings, then select Advanced Mode if directed by FDC.
None	"DUPLICATE EXTENDED LOT FOUND" "ACK"	A duplicate Propellant Extended Lot was entered.	Operator presses "ACK"	Verify extended Lot and re-enter.
None	"DUPLICATE STATION ADDRESS" "ACK"	One or more IP/Station addresses are customized, in Advanced Communication Settings, which resulted in a duplicate condition.	Operator presses "ACK"	This alert/error may not be noticed until another attempt to change Network settings is made. Advanced Communication Settings should <i>NEVER</i> be used unless directed by FDC. Return to "BASIC MODE" to reset default settings, then select Advanced Mode if directed by FDC.
None	"DUPLICATE VALUE-REENTER" "ACK"	The same value (URN, station rank or IP address) was entered in the Edit Addresses display.	Operator presses "ACK"	Check and re-enter the last value.
None	"EARLY END OF MISSION"	A Fire Mission is ended before Rounds Complete.	Operator selects "SHOT", "CLEAR", or "CHECK".	If "SHOT" or "CLEAR" is selected, the PDFCS will transition to the Verification display. If "CHECK" is selected, normal "CHECKFIRE" processing is followed.

O-4 PDFCS OPERATING CONTROLS AND INDICATORS - CONTINUED**Table O-10. Low Priority Messages without Audio Alerts - Continued**

Audio Alert	Operator Alert/Message	Cause	Removal Conditions	Operator Notes
None	"EMPLACEMENT MISSION UPDATED" "ACK"	The Section in Order display has changed; the data will pertain to the FPF.	Operator presses "ACK"	No further action is required.
None	"ERROR SEGMENT OVERLAP" "ACK"	The entered Mask data segments overlap.	Operator presses "ACK"	Verify Mask data and re-enter.
None	"ERROR-LEFT AND RIGHT EQUAL" "ACK"	The entered Sectors of Fire are equal or Mask segments are equal.	Operator presses "ACK"	The Sectors of Fire and the Mask segments cannot be equal.
None	"EXCEEDED 84N OR 80S LATITUDE RE-ENTER VALUE" "ACK"	The entered coordinates are outside the UTM area.	Operator presses "ACK"	Verify location and re-enter coordinates.
None	"FPF END OF MISSION"	FPF End Of Mission is received from FDC.	Operator selects "SHOT", "CLEAR", or "CHECK".	If "SHOT" or "CLEAR" is selected, the PDFCS will transition to the Verification display. If "CHECK" is selected, normal "CHECKFIRE" processing is followed.
None	"GRID ZONE ZERO NOT VALID" "ACK"	Grid Zone Zero is not a valid Grid Zone.	Operator presses "ACK".	Enter a legal Grid Zone and press ENT again.
None	"GUN SWITCH MUST BE OFF" "ACK"	The gun switch is in the "ON" position and a System Restart was attempted by selecting SYSTEM RESTART on the main or maintenance menu, or by attempting to leave embedded training.	Operator presses "ACK".	Turn off the gun switch and initiate system restart again.
None	"HOWITZER LOCATION NOT DEFINED" "ACK"	Invalid Howitzer location.	Operator presses "ACK".	Edit location and perform a NAV Update.
None	"HOWITZER LOCATION NOT VALID" "ACK"	If operator map is modified and current geodetic location cannot be transformed to the selected operator map.	Operator presses "ACK".	Edit location and perform a NAV Update.

O-4 PDFCS OPERATING CONTROLS AND INDICATORS - CONTINUED**Table O-10. Low Priority Messages without Audio Alerts - Continued**

Audio Alert	Operator Alert/Message	Cause	Removal Conditions	Operator Notes
None	"ILLEGAL HOWITZER AREA" "ACK"	ET levels 3 and 4: Operator entered howitzer area illegal.	Operator presses "ACK"	Verify location and re-enter coordinates.
None	"ILLEGAL TARGET AREA" "ACK"	ET levels 3 and 4: operator entered target area illegal.	Operator presses "ACK"	Verify target area and re-enter as needed.
None	"INCOMPLETE ADDRESS XXX(X)" "ACK" Where XXX(X) represents the subscriber. (SUB(1), FDC(B) etc.)	"USE ALL" was selected without entering a value in either the URN or Station Rank field on the Edit Addresses Display.	Operator presses "ACK"	Enter a value in the empty field to complete the address.
None	"INCOMPLETE ENTRY" "ACK"	"USE ALL" was selected without entering a value in an all-dashed (-----) field.	Operator presses "ACK"	Enter a value in all dashed fields before pressing the "USE ALL" softkey.
None	"INVALID DTG VALUE" "ACK"	Incorrect Date Time Group data entered.	Operator presses "ACK"	This message can be displayed in a number of screens. Usually accompanied with on screen dialog to correct date-time.
None	"INVALID GATEWAY" "ACK"	A Gateway was entered, that is not on the same local network, in the Advanced Communication Configuration Mode.	Operator presses "ACK"	Verify the Gateway value is defined. The Gateway and FDC IP address will be on the same local network as the Paladin address.
None	"INVALID IP-NOT LOCAL" "ACK"	An incorrect IP address was entered in the Advanced Communication Configuration Mode.	Operator presses "ACK"	Verify IP addresses for all subscribers. The IP addresses must all start with the same number.
None	"INVALID LOCATION" "ACK"	Target coordinants are not valid for the Howitzer's current location.	Operator presses "ACK"	Operator is allowed to edit coordinants.
None	"INVALID SELECTION" "ACK"	Operator made an invalid selection.	Operator presses "ACK"	Verify selection and re-enter.

O-4 PDFCS OPERATING CONTROLS AND INDICATORS - CONTINUED

Table O-10. Low Priority Messages without Audio Alerts - Continued

Audio Alert	Operator Alert/Message	Cause	Removal Conditions	Operator Notes
None	"MESSAGES HAVE BEEN LOST" "ACK"	The message buffer has overflowed.	Operator presses "ACK"	The message buffer holds 8 messages. Check incoming messages when received.
None	"MVV EXTENDED LOT CONFLICT" "ACK"	The PDFCS has stored MVVs, and the operator entered a propellant with the same Extended Lot but different model number into the Ammo Inventory.	Operator presses "ACK"	Verify the conflicting Extended Lot and re-enter as needed.
None	"NAV OUT, KEYBOARD ENTRY REQ" "ACK"	The DRUH is not in survey mode and the operator attempts to use tube position to enter azimuth for LEFT or RIGHT edges or an EL value on the SITE DATA Display by pressing ENT with no numbers in the selected field.	Operator presses "ACK"	This can happen when the NAV subsystem is OUT or "OK TO MOVE OR SHOOT" has not yet been displayed. Manually enter SITE DATA values.
None	"NO AMMO PRESENT" "ACK"	An attempt to initiate a Paladin Computed Fire Command.	Operator presses "ACK"	The inventory must be edited in order to proceed any further.
None	"NO BALLISTIC SOLUTION" "ACK"	No ballistic solution could be obtained for a Direct Fire or Paladin Fire Commands mission.	Operator presses "ACK"	Verify entries and edit as needed.
None	"NORTHING VALUE NOT VALID RE-ENTER VALUE" "ACK"	An invalid northing was entered.	Operator presses "ACK"	Verify location and re-enter coordinates.
None	"NUMBER OF STATIONS SET TO XX" "ACK" Where "XX" represents the number of stations on this Network.	The value entered in the Station Rank field is greater than the number of stations specified in the Network Settings Display.	Operator presses "ACK"	No further action required.

O-4 PDFCS OPERATING CONTROLS AND INDICATORS - CONTINUED

Table O-10. Low Priority Messages without Audio Alerts - Continued

Audio Alert	Operator Alert/Message	Cause	Removal Conditions	Operator Notes
None	"OFFLOAD COMPLETE" "ACK"	Offload of ET level 3 or 4 performance data completed successfully.	Operator presses "ACK"	No further action required.
None	"OFFLOAD FAILED" "ACK"	Offload of ET level 3 or 4 performance data failed.	Operator presses "ACK"	Check connections and re-try.
None	"OPERATION MAP NOT DEFINED" "ACK"	SPHEROID/DATUM selection is not initialized.	Operator presses "ACK"	Initialize SPHEROID/DATUM.
None	"OTHER VOLLEY"	An Active Fire Mission has another volley with different information (shell/fuze/propellant combinations).	Clears when first volley is fired.	Prepare for second volley.
None	"PERFORM SETTER CHECK" "YES" "NO"	"PERFORM SETTER CHECK" was selected.	Operator selects "YES" or "NO"	If "YES" is selected, PERFORM SETTER CHECK will be set to "YES". If "NO" is selected, PERFORM SETTER CHECK will be set to "NO". No further action is required.
None	"POSITION COORDINATES INVALID RE-ENTER VALUE" "ACK"	The entered coordinate values do not correlate with the other data entered, or a NAV Update was attempted in ET level 2, 3 or 4.	Operator presses "ACK"	If not in ET level 2, 3, or 4, verify location and re-enter coordinates. NAV Updates are not allowed in ET levels 2, 3, and 4.
None	"POSITION IS NOT VALID" "ACK"	A Manual Move Order was entered to an invalid location; e.g. above 84 degrees North. For ET levels 2, 3 and 4, reject any attempted NAV updates.	Operator presses "ACK"	Verify Destination coordinates and re-enter.
None	"RANGE TOO FAR" "ACK"	The target location entered in a Paladin Computed Fire Commands fire mission is beyond 50,000 meters from the howitzer's location.	Operator presses "ACK"	Verify target location and edit as needed.

O-4 PDFCS OPERATING CONTROLS AND INDICATORS - CONTINUED

Table O-10. Low Priority Messages without Audio Alerts - Continued

Audio Alert	Operator Alert/Message	Cause	Removal Conditions	Operator Notes
None	"RESET TCIM" "YES" "NO"	RESET TCIM was selected from the SETUP AND INFORMATION display.	Operator selects "YES" or "NO"	If "YES" is selected, the TCIM will be reset. If "NO" is selected, the TCIM will not be reset. No further action is required.
None	"SET ACTIVE" "YES" "NO"	A configured Network was selected that is not currently active.	Operator selects "YES" or "NO"	If "YES" is selected, the selected Network will become active and the previous active Network becomes inactive. If "NO" is selected, the active Network will not change.
None	"TRAINING NOT AVAILABLE" "ACK"	A Degraded Power Up status was detected and training is not available.	Operator presses "ACK"	No further action required, unless the degraded item is needed for operation or Training Mode is needed. In which case, troubleshoot and cycle PDFCS power.
None	"UNALLOWED-BEING USED BY FM" "ACK"	The operator tried to delete Ammo (i.e. shell, propellant, or fuze) while in the EOM/Continuation state of a Fire Mission.	Operator presses "ACK"	Ammo quantity can be changed, but not deleted, when in a Fire Mission EOM/Continuation state.
None	"USE ALL AND COPY" "YES" "NO"	"COPY" was selected in the Network Settings, Select Configuration Option display.	Operator selects "YES" or "NO"	If "YES" is selected, the current Network will be copied and displayed in the Network display. If "NO" is selected, the action to Copy is cancelled.
None	"VALUE TOO "XXXX"	The entered number is either "TOO BIG" or "TOO SMALL".	Operator presses "ACK"	Enter a number value within the range shown in the prompt.
None	"WARNING-RANGE SET TO MAXIMUM" "ACK"	The range to the Mask is set to a calculated nominal Maximum range.	Operator presses "ACK"	Verify Mask and contact FDC if an Unsafe condition exists.

O-5 DC POWER MESSAGES.

Three Auxiliary Power messages can appear on any menu being displayed on the PDU. Operator actions for any message will be the same regardless of the menu on which it is displayed.

O-5.1 On Auxiliary Power.

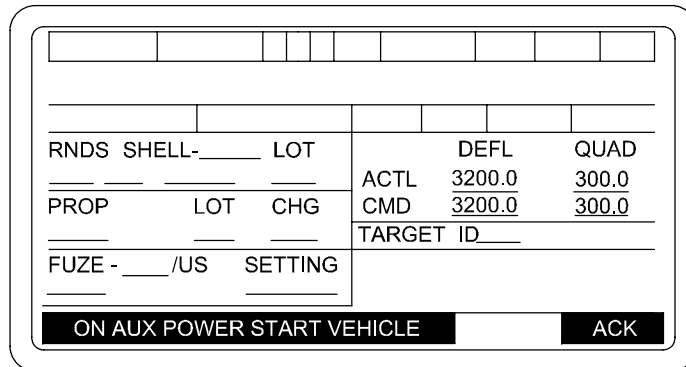
If vehicle battery voltage drops to a point below that needed by the Power Conditioner Unit (PCU-2) to operate the PDFCS, the PCU-2 will automatically switch to auxiliary power (backup batteries) to maintain PDFCS operation. When the switch to auxiliary power occurs, an audible alert will be sounded over the intercom, and a visual alert will be displayed at the bottom of the menu.



Prolonged operation on auxiliary power may cause the PDFCS to shut down automatically.

At this time, the vehicle engine must be started to recharge the vehicle batteries.

The operator must press the softkey under ACK to silence the audible alarm and eliminate the message.



06pc157td

O-5 DC POWER MESSAGES - CONTINUED

O-5.2 Auxiliary Power Not Available.

If the auxiliary power batteries are not functional (e.g., low, damaged, or disconnected), a visual alert will be displayed at the bottom of the menu.

The operator must press the softkey under ACK to eliminate the message. At this time, the vehicle engine must be started and kept running to ensure PDFCS operation until auxiliary power is restored.

NOTE

This message can also appear during BIT.

RNDS SHELL-____ LOT			DEFL			QUAD			
____			ACTL 3200.0			300.0			
PROP LOT CHG			CMD 3200.0			300.0			
____			TARGET ID ____						
FUZE - ____/US SETTING									

AUX BATTERY NOT CONNECTED						ACK			

06pc158ta

O-5.3 Vehicle and Auxiliary Power OK.

When the vehicle battery voltage rises sufficiently, the PCU-2 will automatically switch to vehicle power. When the switch occurs, a visual alert is displayed at the bottom of the menu as shown below.

The operator must press softkey under ACK to eliminate the message.

RNDS SHELL-____ LOT			DEFL			QUAD			
____			ACTL 3200.0			300.0			
PROP LOT CHG			CMD 3200.0			300.0			
____			TARGET ID ____						
FUZE - ____/US SETTING									

VEHICLE AND AUX POWER OK						ACK			

06pc159ta

O-6 PDFCS INITIALIZATION.

O-6.1 System Power-Up.

NOTE

- AFCS and PDFCS are used interchangeably when viewing PDFCS software screens. AFCS and PDFCS will appear in the on-vehicle software screens and the screens in the technical manual. PDFCS will be used within the text of the technical manual.
- PMVS must be installed and connected prior to turning the vehicle MASTER power switch ON.
- DAGR must be installed and powered prior to turning on PDFCS in order for the PDFCS to use the DAGR data.
- The following steps must be completed prior to POWERING UP and INITIALIZATION of the PDFCS.
 - a. Outside the howitzer:
 1. Left front drive sprocket must be within 1 meter of SCP.
 2. Gun tube in travel lock.
 3. PMVS connections verified.
 4. FM VOICE/DIGITAL Radio antennas are properly mounted, cables and ground connections verified.
 5. DAGR antenna cable connections verified.
 - b. Inside the howitzer:
 1. Turret lock in LOCKED position.
 2. DAGR installed.
 3. Set MASTER switch to ON.
 4. Ensure 10 PCU-2 switches are ON.
 5. Turn DAGR ON and FILL verified.
 6. Turn radios ON, and perform VOICE radio check.
 7. Idle engine at 1000 to 1200 RPMs.
 8. Make sure TRAINING switch on PDFCS keypad is OFF.

O-6 PDFCS INITIALIZATION - CONTINUED

O-6.1 System Power-Up - Continued

With the DAGR mounted and all external cables attached, press the PWR/QUIT key on the DAGR key pad. The DAGR should power up automatically and perform its self-test (BIT). Operate the DAGR in accordance with the DAGR TM 11-5820-1172-13.

NOTE

- If this is an XM982, crypto keys will be loaded by the IFS and the following key loading procedure will be skipped.
- If not performing an IFS mission, key status should be checked before installing DAGR into mount.

If the DAGR does not have a current key (i.e. the DAGR was previously zeroized, newly installed or the key has expired), load a valid key in accordance with the DAGR TM 11-5820-1172-13.

NOTE

To load a key, the DRUH must be off, or the P4 DRUH-DAGR signal connector must be disconnected to cause a DAGR COM FAIL. Re-attachment of P4 DRUH-DAGR signal connector after DAGR keying will automatically cause DRUH-DAGR communications to resume if DRUH is on.

If the DAGR antenna has a clear view of the sky, turn DAGR on.

If the antenna's view of the sky is blocked (e.g. the vehicle is in a building, under tree cover or parked next to a large structure), move vehicle until the DAGR antenna is clear.

If the vehicle cannot be moved, place DAGR in Standby mode until the vehicle can be moved to a location with a clear view of the sky.

NOTE

If the DAGR is off, the Navigation System will still accept initialization data from the PDFCS for inertial operation and the Navigation System will operate as before.

- c. If the antenna has a clear view of the sky and DAGR has a valid position, current GPS time, current GUV key, and has stored a current satellite almanac, DAGR will be acceptable for use in about 3 minutes following the first turn-on of the day. It will take about 90 seconds for subsequent turn-ons. These are the normal operating conditions.

O-6 PDFCS INITIALIZATION - CONTINUED

O-6.1 System Power-Up - Continued

NOTE

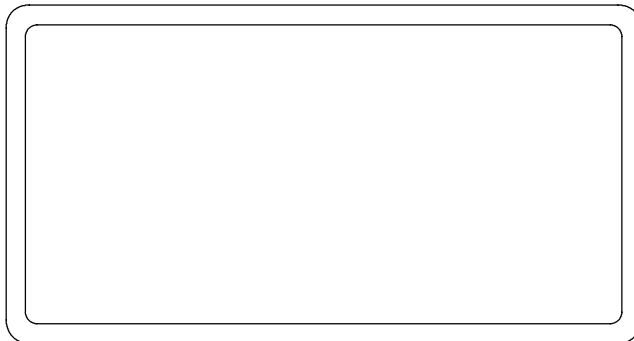
PMVS must be installed and connected prior to turning the vehicle MASTER power switch ON.

Make sure TRAINING switch on PDFCS keypad is OFF. Set POWER switch on PDFCS keypad to ON. The normal PDFCS initialization screens will be displayed. In approximately 3 minutes the PDFCS window will open with a blank screen, followed by the POWER UP STATUS screen.

NOTE

- The time lapse between first three screens can range from 3 to 5 minutes.
- If screen stays blank for more than 7 minutes, power down system.

A SYSTEM VERIFICATION FAILURE message will be displayed only if a failure is detected.



06pc272t

O-6 PDFCS INITIALIZATION - CONTINUED

O-6.1 System Power-Up - Continued

After the PDFCS powers up, the DAGR screen should read:

REMOTE CONTROL LOCKOUT
EMERGENCY ZEROIZE ALLOWED

MARK FASTFIX BASIC

At this point the DAGR key pad will become inactive. The only DAGR operation allowed using the key pad is EMERGENCY ZEROIZE.

If this message is not displayed on the DAGR screen, and the Low Priority Message “GPS OUT - DISCONNECTED” is not displayed on the PDU, ensure that the DRUH-DAGR signal connector (P4) plug on the W17A cable is connected and secure. Once this DAGR screen is displayed, proceed with system initialization.

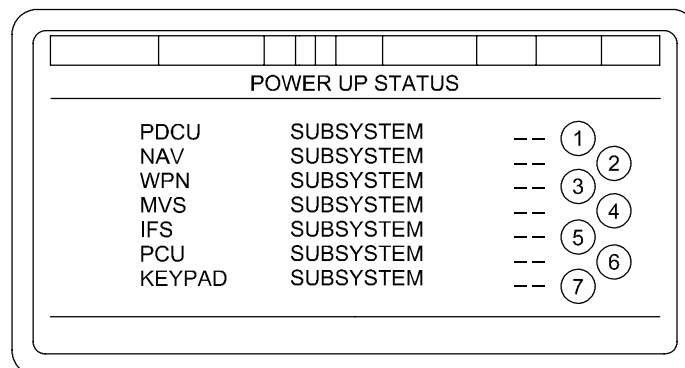
NOTE

- NAV SUBSYSTEM includes: VMS, DRUH, and VMS modems
- PCU-2 SUBSYSTEM includes: PCU-2 and both back-up batteries.
- The switches on the PCU-2 are circuit breakers. They should be left ON at all times, so they will not wear out from being turned off and on constantly.

This screen displays the subsystems that are checked by BIT. As the subsystems are checked, the dashed lines will change to a subsystem status (OK, DEGRADED, OUT, - -). The - - appears on the MVS status line when the PDFCS could not be connected to the MVS, on the PCU status line to indicate a PDCU failure that prevents PCU status from being determined, or on the keypad status line to indicate a PDCU failure that prevents KEYPAD status from being determined. This screen also identifies the system software version.

NOTE

- PCU and PCU-2 are used interchangeably when viewing PDFCS software screens. PCU will appear in the software screens. PCU-2 will be used in the text portion of this technical manual when referring to the physical equipment.
- If no IFS is connected, the power-up BIT status will display --.



06pc071mg

O-6 PDFCS INITIALIZATION - CONTINUED

O-6.1 System Power-Up - Continued

Table O-11. Power Up Status Display

Field	Description	Conditions for display
1	PDCU Range/Values: (1) OUT (2) DEGRADED (3) OK	(1) PDFCS startup BIT fails. (2) NAV interface BIT, ET interface BIT or 1553B bus controller BIT fails. (3) Subsystem is fully operational.
2	NAV Range/Values: (1) - - (2) OUT (3) DEGRADED (4) OK	(1) Status not yet determined. (2) NAV interface BIT or DRU BIT fails. (3) VMS BIT fails. (4) Subsystem is fully operational.
3	WPN Range/Values: (1) OUT (2) DEGRADED (3) OK	(1) Servo fails or WPN subsystem not operational. (2) BCWC CPCI operational and cannon setup not acknowledged or tube temperature sensor or BCWC CPCI NVM fails. (3) Subsystem is fully operational.
4	MVS Range/Values: (1) - - (2) OUT (3) OK	(1) Status not yet determined. (2) MVS not operational. (3) Subsystem is fully operational.
5	IFS Range/Values: (1) - - (2) OUT (3) DEG-MNT (4) DEG-GPS (5) DEG-BAT (6) OK	Note: See Table O-17 for detailed description of IFS status. (1) Status not yet determined. (2) The IFS system is not operational. (3) The IFS system status is degraded due to a maintenance issue. (4) The IFS system status is degraded due to a GPS issue. (5) The IFS system status is degraded due to a low battery. (6) Subsystem is fully operational.
6	PCU Range/Values: (1) DEGRADED (2) OK	(1) PCU BIT fails. (2) Subsystem is fully operational.
7	KEYPAD Range/Values: (1) - - (2) DEGRADED (3) OK	(1) Status not yet determined. (2) Keypad BIT fails. (3) Subsystem is fully operational.

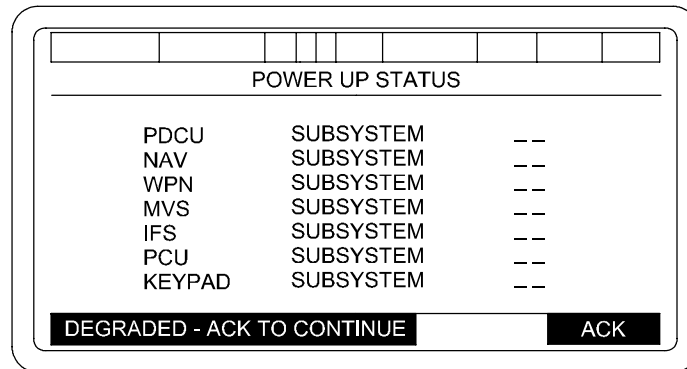
O-6 PDFCS INITIALIZATION - CONTINUED

O-6.1 System Power-Up - Continued

In the event of a failure during POWER UP STATUS, the message “DEGRADED - ACK TO CONTINUE” will be displayed on the bottom line of the PDU. To continue, depress softkey under ACK. After the self-test is complete, SELECT OPERATIONAL MODE menu is displayed.

NOTE

- If there is a gun switch failure during Hardware BIT Test, operator must acknowledge the gun switch status message.
- If all systems are OK, the screen below will not be shown.



06pc074md

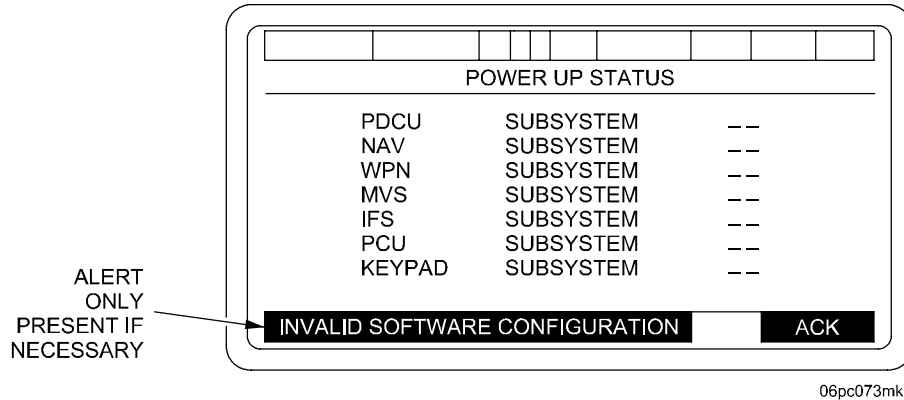
O-6 PDFCS INITIALIZATION - CONTINUED

O-6.1 System Power-Up - Continued

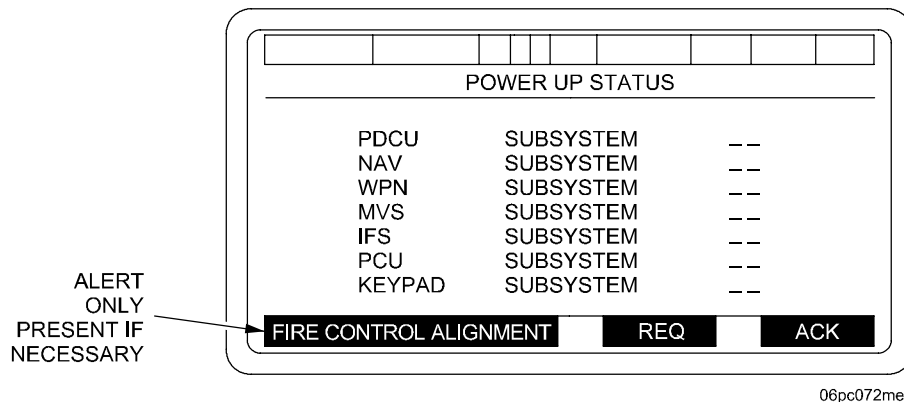
NOTE

If PDU contains an incorrect configuration, the PDFCS will not allow the operator to select normal operations until a correct PDU software configuration is downloaded.

When configuration verification checking indicates that the executed software configuration is not the same as the acquired software configuration, a short error message “INVALID SOFTWARE CONFIGURATION” “ACK” will appear on the softkey label line of the PDU.



When a Fire Control Alignment is required by the PDFCS, the alert “FIRE CONTROL ALIGN” “REQ” “ACK” will appear on the softkey label line of the PDU. This alignment must be accomplished before INITIALIZATION of the PDFCS can be completed. If a full Fire Control Alignment including SYSTEM RESTART or Power Cycle is not completed when it is requested, the PDU FAULT lamps and PDCU BIT FC lamp will illuminate and remain lit.



When the message is acknowledged, the PDFCS will proceed to the SELECT OPERATIONAL MODE menu. To view detailed software configuration information for each LRU, MAINTENANCE should be selected IAW procedure in para O-6.3.

After an orderly shutdown, go to para O-6.3. However, if a catastrophic failure happens within the system, follow the procedures below.

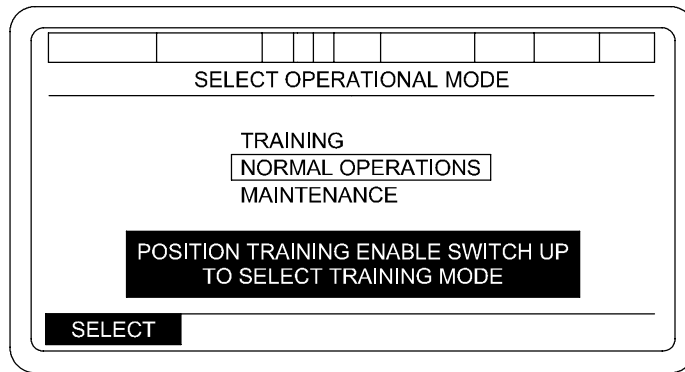
O-6 PDFCS INITIALIZATION - CONTINUED

O-6.2 Initializing.

When initializing the PDFCS, communications parameters (NETWORK setup display) are entered to establish digital communications. Data to align the navigation system to a known location must also be entered at initialization. Other data to establish date/time, ammunition supply and propellant temperature, TOT response time, load elevation, and sector of fire must be entered before the initialization process is complete. All this data is input during NORMAL OPERATIONS mode which is selected from the SELECT OPERATIONAL MODE menu.

NOTE

- It is possible that an ALERT(s) may appear on the bottom line of the SELECT OPERATIONAL MODE screen. To continue, press the ACK softkey.
- NORMAL OPERATIONS and MAINTENANCE shall not be available when the training enable switch is up.

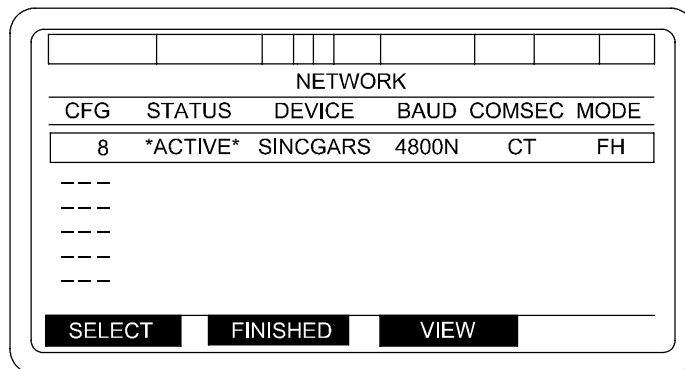


06pc094ma

- Mode Selection.** Set TRAINING ON/OFF switch to OFF when selection other than TRAINING is required. Box in NORMAL OPERATIONS mode, press SELECT key, NETWORK menu will be displayed. The operator has the option of storing up to six NETWORK configurations.
- NETWORK display.** Upon initialization of a previously configured PDFCS, the display lists all previously configured network configurations.

Initialization of a virgin PALADIN, all communications configurations, "CFG", shall be set to "---" and all other columns will be blank.

Only one network configuration will be active at any one time. The active configuration is identified by the label "**ACTIVE**" in the STATUS column. Inactive configurations will not have anything displayed in the STATUS column. When initializing a virgin Paladin and once the first network is defined, the system shall automatically set to *ACTIVE*.



06pc321t

O-6 PDFCS INITIALIZATION - CONTINUED

O-6.2 Initializing - Continued

TACFIRE configurations will not display anything in the COMSEC and MODE columns of the NETWORK screen.

188-220 communications configurations identify the Device, Baud Rate, COMSEC and Mode. 188-220 configurations with any customized values identify the Device as "CUSTOM/R" for Radio and "CUSTOM/W" for Two-Wire.

The PDFCS will not reorder network configurations as a result of deletions.

The FINISHED and VIEW softkeys are not visible unless at least one configuration is defined.

NETWORK					
CFG	STATUS	DEVICE	BAUD	COMSEC	MODE
3		SINGGARS	4800N	CT	FH
6		SINGGARS	1200N	CT	FH
6	*ACTIVE*	CUSTOM/R	1200N	CT	FH
10		CUSTOM/W	32000	PT	SC
0		TACFIRE	1200		
8		CUSTOM	9600N	CT	FH

SELECT FINISHED VIEW

06pc322t

Softkey sequencing shall be as follows:

- **SELECT** - If the highlighted configuration was previously defined, control transitions to NETWORK SETTINGS-SELECT CONFIGURATION OPTION display. If the highlighted configuration has not been defined, control transitions to NETWORK SETTINGS-STANDARD COMMUNICATION CONFIGURATION display.
- **FINISHED** - When the operator presses the FINISHED softkey the PDFCS stores all defined network configurations and control transitions to NORMAL OPERATIONAL INITIALIZATION display.
- **VIEW** - When the VIEW softkey is pressed and the currently selected network configuration has been defined, control transitions to the NETWORK SETTINGS display. If the currently selected network configuration has not been defined, the VIEW softkey is inactive.
- **CANCEL** - When the CANCEL softkey is pressed any defined configuration values are discarded.

O-6 PDFCS INITIALIZATION - CONTINUED

O-6.2 Initializing - Continued

NETWORK SETTINGS
 SELECT CONFIGURATION OPTION

MODIFY
 COPY

SELECT CANCEL

NETWORK SETTINGS
 STANDARD COMMUNICATION CONFIGURATION

MORE ABOVE

5	SINGGARS	1200N	NRZ	CT	SC
6	SINGGARS	1200N	NRZ	CT	FH
7	SINGGARS	2400N	NRZ	CT	FH
8	SINGGARS	4800N	NRZ	CT	FH
9	2 - WIRE	1200	FSK -C	PT	SC
10	2 - WIRE	32000	CDP	PT	SC

SELECT CANCEL

06pc320t

c. Standard Communications Configurations.

NOTE

- If the Communication Configuration is not defined in NETWORK display, then configuration #8 will be the default boxed selection.
- If the Communication Configuration is defined in NETWORK display, then that configuration number is the default boxed selection.

O-6 PDFCS INITIALIZATION - CONTINUED

O-6.2 Initializing - Continued

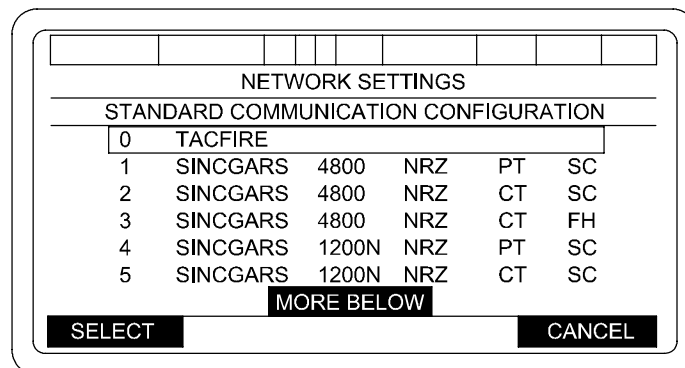
(1) PDFCS supports the following 11 predefined communications configurations:

Table O-12. Network Configurations

CONFIGURATION MODE	DEVICE	BAUD RATE	COMSEC	MODE	MODULATION
0	TACFIRE	4800	-----	-----	NRZ
1	Sincgars	4800	PT	SC	NRZ
2	Sincgars	4800	CT	SC	NRZ
3	Sincgars	4800	CT	FH	NRZ
4	Sincgars SIP or ASIP	1200N	PT	SC	NRZ
5	Sincgars SIP or ASIP	1200N	CT	SC	NRZ
6	Sincgars SIP or ASIP	1200N	CT	FH	NRZ
7	Sincgars SIP or ASIP	2400N	CT	FH	NRZ
8	Sincgars SIP or ASIP	4800N	CT	FH	NRZ
9	2-Wire	1200	PT	SC	FSK-C
10	2-Wire	32000	PT	SC	CDP

(2) Softkey sequencing shall be as follows:

- **SELECT** - Selects the currently boxed selection. If the currently boxed selection is Communication Configuration 0, control transitions to TACFIRE NETWORK SETTINGS. If the currently boxed selection is Communication Configuration 1 to 10, control transitions to 188-220 NETWORK SETTINGS.
- **CANCEL** - If the operator presses CANCEL the current display transitions to the previous display.



06pc319t

O-6 PDFCS INITIALIZATION - CONTINUED

O-6.2 Initializing - Continued

d. Network Settings-Select Configuration Option.

- (1) Softkey sequencing shall be as follows:
 - SELECT - Selects the currently boxed selection. Transition of control depends upon the selected menu.
 - CANCEL - When pressed, control transitions to NETWORK display.
- (2) MODIFY selection - Allows the operator to modify the current network configuration. If the current protocol is 188-220, then control transitions to 188-220 NETWORK SETTINGS. If the current protocol is TACFIRE, then control transitions to TACFIRE NETWORK SETTINGS.
- (3) SET ACTIVE selection

NOTE

SET ACTIVE selection will not be displayed if the current configuration is the active.

This selection allows the operator to set the current network configuration as the ACTIVE configuration. The following operator prompts are displayed: "SET ACTIVE" "YES" "NO"
If NO is selected, no changes will be made.

If YES is selected, then the display will transition as follows:

If the current protocol is TACFIRE, then control shall transition to TACFIRE NETWORK SETTINGS.
If the current protocol is 188-220, then control shall transition to display 188-220 NETWORK SETTINGS.

- (4) COPY selection

NOTE

COPY selection will not be displayed if all six network configurations have been defined.

Allows the operator to copy the current configuration into the first empty network configuration. The following operator prompt shall be displayed:

"USE ALL AND COPY?" "YES" "NO"

If NO is selected, no changes will be made.

If YES is selected, the current configuration copies into the first undefined network configuration. Control then transitions to the NETWORK display.

Terminal display showing NETWORK SETTINGS menu. The title bar contains several empty boxes. Below the title bar, the text "NETWORK SETTINGS" is displayed. Underneath, "SELECT CONFIGURATION OPTION" is shown. The menu lists two options: "MODIFY" (highlighted with a box) and "COPY". At the bottom of the screen, there are two softkey buttons: "SELECT" and "CANCEL".

Terminal display showing NETWORK SETTINGS menu. The title bar contains several empty boxes. Below the title bar, the text "NETWORK SETTINGS" is displayed. Underneath, "SELECT CONFIGURATION OPTION" is shown. The menu lists four options: "MODIFY" (highlighted with a box), "SET ACTIVE", "COPY", and "DELETE". At the bottom of the screen, there are two softkey buttons: "SELECT" and "CANCEL".

06pc318t

O-6 PDFCS INITIALIZATION - CONTINUED

O-6.2 Initializing - Continued

(5) DELETE selection

NOTE

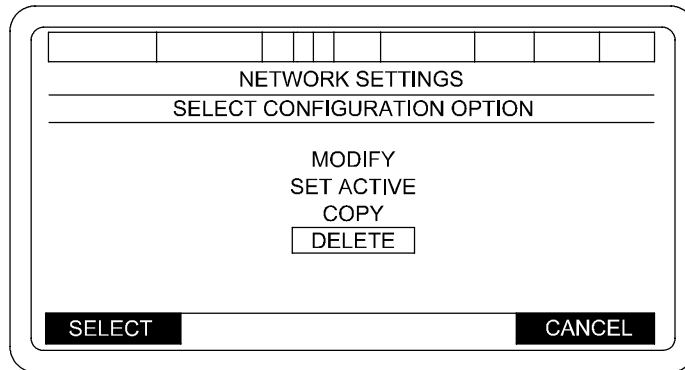
DELETE selection will not be displayed if the current configuration is the active configuration.

Allows the operator to delete the current network configuration. The following message shall be displayed:

“DELETE NETWORK?” “YES” “NO”

If NO is selected, no changes will be made.

If YES is selected, the current configuration is deleted and control transitions to the NETWORK display.



06pc3171a

e. Network Settings-188-220C Protocol.

NOTE

- Each selection that requires configuration is marked with an asterisk (*). The default boxed shall be the first asterisked selection. If there are no asterisked selections, the default boxed selection is Net Type when the display is entered.
- The following values are required: “Net Type” and “Edit Addresses”. If the “Net Type” is not defined, the “Edit Addresses” selection shall not be visible to the operator. The address definition depends on the “Net Type” value.
- If the “Configuration Mode” is set to BASIC, the “Advanced Settings” selection will not be visible. If the “Configuration Mode” is set to ADVANCED and any “Advanced Settings” have been customized, the “Communication Configuration” value will be displayed as “CUSTOM-XX” where “XX” is the original Communication Configuration number.

O-6 PDFCS INITIALIZATION - CONTINUED

O-6.2 Initializing - Continued

SELECT softkey when the following selection is boxed:

188 - 220 NETWORK SETTINGS	
COMMUNICATION CONFIGURATION	8
NET TYPE	4
EDIT ADDRESSES	
NUMBER OF STATIONS	10
USE NET BUSY DETECT	YES
INTRANET RELAYER	DISABLED
N - LAYER PASS THROUGH	FDC ONLY
CONFIGURATION MODE	BASIC
<div style="display: flex; justify-content: space-around;"> SELECT USE ALL VIEW CANCEL </div>	

06pc316t

- (1) Communication Configuration selection - Allows the operator to change the current Communication Configuration. The following message shall be displayed:
 "CHANGE COMM CONFIG?" "YES" "NO"
 If NO is selected, no changes will be made.
 If YES is selected, the NETWORK SETTINGS-STANDARD COMMUNICATION CONFIGURATION screen will be displayed.
- (2) Net Type selection - Prompts the operator to enter a value for the NET TYPE. The valid range is 0 to 255.
 If the "Net Type" is modified and the "Configuration Mode" is set to ADVANCED, then default subscriber addresses shall be updated.
 If any address becomes a duplicate of another address as a result of changing the "Net Type", the following message will be displayed:
 "DUPLICATE IP ADDRESS" "ACK"
 If a duplicate address is detected, the "Edit Addresses" selection is marked with an asterisk.
- (3) Edit Addresses selection - Allows the operator to modify the network addresses. If the Configuration Mode is set to BASIC, then control transitions to 188-220 Network Addresses (Basic). If the "Configuration Mode" is set to ADVANCED, then control transitions to 188-220 Network Addresses (Advanced).

URN	RANK
PALADIN	22
FDC(P)	2
FDC(B)	---
SUB(1)	---
SUB(2)	---
SUB(3)	---
<div style="display: flex; justify-content: space-around;"> CONTROL FDC (P) GUN NUMBER X/X </div> <div style="display: flex; justify-content: space-around;"> SELECT USE ALL DELETE CANCEL </div>	

06pc315ta

O-6 PDFCS INITIALIZATION - CONTINUED

O-6.2 Initializing - Continued

- (4) Number of Stations selection - Prompts the operator to enter a value for NUMBER OF STATIONS. The valid range is 2 to 31 for previously undefined configurations. If the configuration has been previously defined, the valid range shall be XX to 31 where XX is equal to the highest current Rank that was selected.
- (5) Use Net Busy Detect selection - If the installed TCIM is not capable of performing Net Busy Detection function, the following message shall be displayed:
"NOT SUPPORTED BY THIS TCIM" "ACK"
If the installed TCIM supports Net Busy Detect and allows the operator to select either YES or NO by pressing the SELECT softkey.
If Use Net Busy Detect is modified when the Configuration Mode is set to ADVANCED, then the value of Busy Detect Override will be set to default value for current settings of Device, COMSEC, Mode, Modulation, Baud Rate and EDC.

188 - 220 NETWORK SETTINGS

USE NET BUSY DETECT

YES
NO

SELECT CANCEL

06pc314ta

- (6) Intranet Relay selection - Control transitions to a screen titled "188-220 NETWORK SETTINGS - INTRANET RELAYER" and allows the operator to select either "Enabled" or "Disabled" by pressing the SELECT softkey.

188 - 220 NETWORK SETTINGS

INTRANET RELAYER

DISABLED
ENABLED

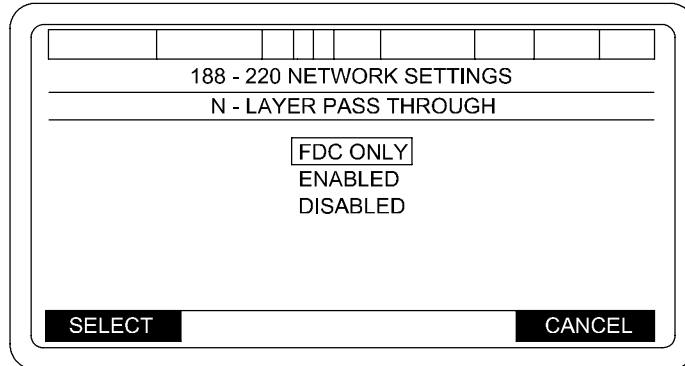
SELECT CANCEL

06pc313ta

O-6 PDFCS INITIALIZATION - CONTINUED

O-6.2 Initializing - Continued

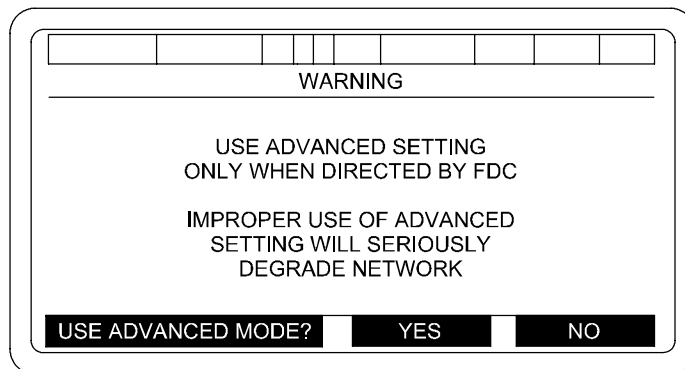
- (7) N-Layer Pass Through selection - Control transitions to 188-220 NETWORK SETTINGS - N-LAYER PASS THROUGH and allows the operator to select "FDC Only", "Enabled", or "Disabled" by pressing the SELECT softkey.



06pc312ta

- (8) Configuration Mode selection

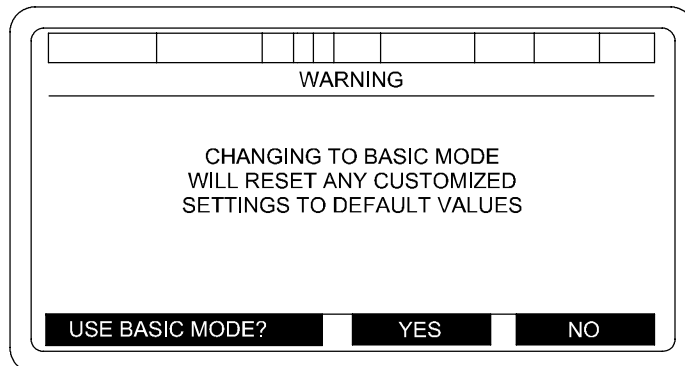
If the current Configuration Mode is set to BASIC, the following **WARNING** screen is displayed:



06pc311t

If the operator presses YES, Configuration Mode changes to ADVANCED.
If the operator presses NO, Configuration Mode remains set to BASIC.

If the current Configuration Mode is set to ADVANCED, the following **WARNING** screen is displayed:



06pc310t

If the operator presses YES, the Configuration Mode changes to BASIC.
If the operator presses NO, the Configuration Mode shall remain set to ADVANCED.

O-6 PDFCS INITIALIZATION - CONTINUED

O-6.2 Initializing - Continued

(9) ADVANCED SETTINGS selection



- Modification and use of ADVANCED SETTINGS should only be performed at the direction of FDC. Improper use of ADVANCED SETTINGS will seriously degrade network.
- ADVANCED SETTING changes are not authorized by the user unless directed by FDC. Failure to comply could result in system degradation.

When ADVANCED SETTING is selected, control transitions to ADVANCED 188-220 PROTOCOL SETTINGS.

f. Network Settings-TACFIRE Protocol.

NOTE

- Each selection that requires configuration shall be marked with an asterisk (*). The default boxed will be the first asterisked selection. If there are no asterisked selections, the default boxed selection shall be Edit Addresses when the display is entered.
- The following values are required: "Edit Addresses", "Net Access Delay (Seconds)", and "Gun Key Time (Seconds)".

If the "Device" value is modified and the current "Modulation" becomes invalid, the "Modulation" is set to the default values of SINCGARS/NRZ and 2 Wire/CDP.

If the "Modulation" value is changed because "Device" was modified, then the "Baud Rate" shall be set to the default value of SINCGARS/NRZ/4800 baud and 2 Wire/CDP/32000 baud.

If the "Modulation" value is modified, and the "Baud Rate" value becomes invalid, then the "Baud Rate" shall be set to default value based on "Device" and "Modulation" setting as follows:

Device	Modulation	Default Baud Rate
SINCGARS	NRZ	4800 baud
SINCGARS	Fsk-188B	1200 baud
SINCGARS	Fsk-188C	1200 baud
2 Wire	CDP	32000 baud
2 Wire	Fsk-188B	1200 baud
2 Wire	Fsk-188C	1200 baud

Pressing CANCEL softkey transitions to TACFIRE NETWORK SETTINGS display without changing the selection value. Invalid combinations will not be selectable.

O-6 PDFCS INITIALIZATION - CONTINUED

O-6.2 Initializing - Continued

SELECT softkey when the following selection is boxed:

The screenshot shows a terminal window titled "TACFIRE NETWORK SETTINGS". At the top, there is a header bar with several empty boxes. Below it, the text "TACFIRE NETWORK SETTINGS" is centered. Underneath, "COMMUNICATION CONFIGURATION" is displayed with a value of "0" to its right. A selection box highlights the option "*EDIT ADDRESSES". Below this, several parameters are listed with their current values: "DEVICE" is "SINCGARS", "MODULATION" is "NRZ", "BAUD RATE" is "4800", "*NET ACCESS DELAY (SECONDS)" is "----", "*GUN KEY TIME (SECONDS)" is "----", "BLOCK MODE SELECTION" is "SINGLE", and "NET BUSY SENSE OVERRIDE" is "OFF". At the bottom of the screen, four softkey options are visible: "SELECT", "USE ALL", "VIEW", and "CANCEL".

06pc307ta

- (1) Communication Configuration selection - Allows the operator to change the current Communications Configuration. The following message will be displayed:
 "CHANGE COMM CONFIG?" "YES" "NO"
 If NO is selected, no changes will be made.
 If YES is selected, the NETWORK SETTINGS-STANDARD COMMUNICATION CONFIGURATION screen will be displayed.
- (2) Edit Addresses selection - Transitions to display TACFIRE NETWORK ADDRESSES.

The screenshot shows a terminal window titled "TACFIRE NETWORK ADDRESSES". At the top, there is a header bar with several empty boxes. Below it, the text "TACFIRE NETWORK ADDRESSES" is centered. Underneath, there is a table with three columns: "URN", "PHYSICAL", and "BROADCAST". The first row is "PALADIN" with values "*-----*", "*--", and "*--". The second row is "FDC(P)" with values "*-----*", "*--", and "*--". The third row is "FDC(B)" with values "-----", "--", and "--". The fourth row is "SUB(1)" with values "-----", "--", and "--". The fifth row is "SUB(2)" with values "-----", "--", and "--". The sixth row is "SUB(3)" with values "-----", "--", and "--". Below the table, the text "CONTROL FDC (P)" is on the left and "GUN NUMBER X/X" is on the right. At the bottom of the screen, four softkey options are visible: "SELECT", "USE ALL", "DELETE", and "CANCEL".

06pc308ta

O-6 PDFCS INITIALIZATION - CONTINUED

O-6.2 Initializing - Continued

- (3) DEVICE, MODULATION, and BAUD RATE selections - Transitions to TACFIRE NETWORK SETTINGS and subtitled with the selection values shown below:

TACFIRE NETWORK SETTINGS

DEVICE

2 WIRE
SINGGARS
 SINGGARS SIP/ASIP

SELECT
CANCEL

TACFIRE NETWORK SETTINGS

MODULATION

NRZ
 CDP
 FSK-188C
 FSK-4202A

SELECT
CANCEL

TACFIRE NETWORK SETTINGS

BAUD RATE

600
 1200
 2400
4800
 8000
 16000
 32000

SELECT
CANCEL

06pc309tc

- (4) NET ACCESS DELAY (SECONDS) selection - Selects proper transmission delay time to maintain network access order assigned to various subscribers. To enter a new NET ACCESS DELAY time box in new time. The operator is then prompted to enter a value for the NET ACCESS DELAY in seconds. The valid range is 0.5 seconds to 49.5 seconds in 0.5-second increments.

TACFIRE NETWORK SETTINGS

COMMUNICATION CONFIGURATION 0

*EDIT ADDRESSES

DEVICE SINGGARS

MODULATION NRZ

BAUD RATE 4800

*NET ACCESS DELAY (SECONDS) -----

*GUN KEY TIME (SECONDS)

BLOCK MODE SELECTION SINGLE

NET ACC DEL: 0.5 TO 49.5
- PRESS ENT -

CANCEL

06pc305ta

O-6 PDFCS INITIALIZATION - CONTINUED

O-6.2 Initializing - Continued

- (5) GUN KEY TIME (SECONDS) selections - Selects assigned transmit delay time. This stabilizes the communications link and allows radio to reach full transmit power before digital data message is sent. When GUN KEY TIME is selected from TACFIRE NETWORK SETTINGS menu, a GUN KEY TIME menu is displayed. Box in proper time. Press SELECT softkey. This will enter data and return to TACFIRE NETWORK SETTINGS menu (new GUN KEY TIME will be shown).

TACFIRE NETWORK SETTINGS

GUN KEY TIME

0.0 SECONDS	0.2 SECONDS
0.7 SECONDS	1.4 SECONDS
2.1 SECONDS	2.8 SECONDS
4.0 SECONDS	

SELECT CANCEL

06pc306ta

- (6) BLOCK MODE selection - Selects single-block or double-block mode transmission of each data block. Double-block transmission provides for each block to be transmitted twice. When the BLOCK MODE SELECTION is selected, TACFIRE NETWORK SETTINGS - BLOCK MODE will appear with present block mode boxed in. After selection is made, TACFIRE NETWORK SETTINGS display will be shown with the new data in proper field. (Other data will remain unchanged). Double-block mode will be used when requested by Platoon Operations Center (POC).

TACFIRE NETWORK SETTINGS

BLOCK MODE

SINGLE

DOUBLE

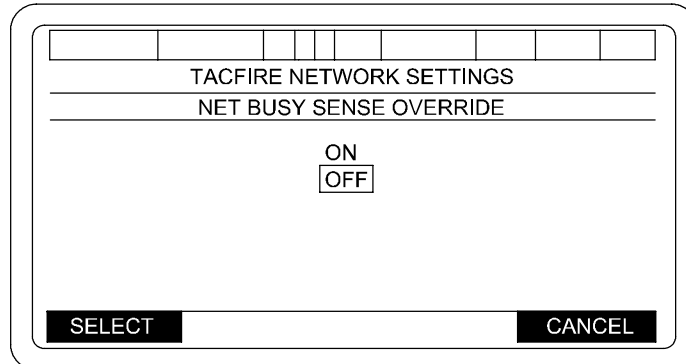
SELECT CANCEL

06pc303ta

O-6 PDFCS INITIALIZATION - CONTINUED

O-6.2 Initializing - Continued

- (7) NET BUSY SENSE OVERRIDE selection - Used to force a message through when communication net is degraded or jammed (message traffic or noise is sensed by communications processor). Selecting NET BUSY SENSE OVERRIDE (ON) when other subscribers are transmitting can cause message errors in radio traffic, and denies the other subscribers access. Consult unit SOP for proper use of NET BUSY SENSE OVERRIDE and press SELECT key. A TACFIRE NETWORK SETTINGS menu will be displayed showing present status boxed in. After proper selection, YES or NO is made, new data will be shown in the proper field. (Other data remains unchanged.)



06pc304ta

Softkey sequencing shall be as follows:

- USE ALL - If any selection is marked with an asterisk (*), the following message is displayed: "CLEAR *ASTERISKS* TO CONTINUE" "ACK"
If all asterisks have been cleared, control transitions to NETWORK display.
- VIEW - Control transitions to display all protocol and address information for review using the same format as actual selection displays except fields cannot be selected.
- CANCEL - Discards any changes and control transitions to NETWORK display.

g. 188-220 Network Addresses (Basic).

NOTE

Each selection that requires configuration will be marked with an asterisk (*). The following values are required: PALADIN URN, PALADIN RANK, Controlling FDC URN, Controlling FDC RANK. Once the selection has been configured, the asterisk will be cleared.

SELECT softkey - Selects currently boxed selection. Transition of control depends on currently selected menu item as described below:

- (1) CONTROL Row selection - If current controlling FDC is the primary FDC, the following message is displayed:
"CHANGE TO BACKUP?" "YES" "NO"
If the current control FDC is the backup FDC, the following message is displayed:
"CHANGE TO PRIMARY?" "YES" "NO"
If NO is selected, no changes will be made.
If YES is selected, the controlling FDC value shall be toggled with its current state.

O-6 PDFCS INITIALIZATION - CONTINUED

O-6.2 Initializing - Continued

- (2) URN Column selection - Prompts the operator to enter a URN value ranging from 0 to 16,777,214. When the ENT key is pressed, the values shall be checked for duplicate URN values. If a duplicate value is found, the following message will be displayed:
 "DUPLICATE VALUE-REENTER" "ACK"
 Once the message is acknowledged, the operator is required to enter a new URN or press CANCEL softkey.
- (3) RANK Column selection - Prompts the operator to enter PDFCS station rank range 1 to 31. When the ENT key is pressed, values will be checked for duplicate Station Rank values. If a duplicate value is found within the current configuration, the following message will be displayed:
 "DUPLICATE VALUE-REENTER" "ACK"
 Once the message is acknowledged, the operator is required to enter a new Station Rank value or press CANCEL.

If the Rank entered exceeds the Number of Stations value, the Number of Stations shall be set to the Rank value entered and the following message shall be displayed:

"NUMBER OF STATIONS SET TO XX" "ACK"

Where XX is the Rank value entered. Once the message is acknowledged, control transitions back to 188-220 Networks Addresses (Basic).

	URN	RANK
PALADIN	1500	1
FDC(P)	3000	2
FDC(B)	-----	---
SUB(1)	-----	---
SUB(2)	-----	---
SUB(3)	-----	---

CONTROL **FDC (P)** GUN NUMBER X/X

CHANGE TO BACKUP? **YES** **NO**

	URN	RANK
PALADIN	1500	1
FDC(P)	3000	2
FDC(B)	-----	---
SUB(1)	-----	---
SUB(2)	-----	---
SUB(3)	-----	---

CONTROL FDC (P) GUN NUMBER X/X

SELECT **USE ALL** **DELETE** **CANCEL**

06pc302t

- (4) GUN NUMBER column selection - control transitions to 188-220 NETWORK SETTINGS - GUN NUMBER display.

Softkey sequencing shall be as follows:

- USE ALL softkey - The following validity checks will be performed. If all are valid, control shall transition to 188-220 NETWORK SETTINGS. If any menu selections are marked with an asterisk (*), the following message will be displayed:
 "CLEAR *ASTERISKS* TO CONTINUE" "ACK"
 Address Completion Check - If a subscriber entry line has been incompletely defined (URN defined and Rank not defined, or Rank defined and URN not defined) then the following message will be displayed:
 "INCOMPLETE ADDRESS XXXXXX" "ACK"
 Where "XXXXXX" identifies the incomplete subscriber: FDC(P), FDC(B), SUB(1), SUB(2) or SUB(3).

O-6 PDFCS INITIALIZATION - CONTINUED

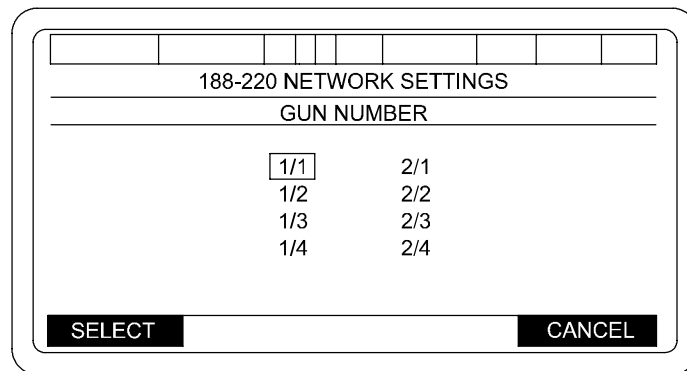
O-6.2 Initializing - Continued

- DELETE softkey - Allows the operator to delete the currently boxed URN or Rank. The following message will be displayed:
 "DELETE ADDRESS" "YES" "NO"
 If NO is selected, no changes will be made.
 If YES is selected, the current selection is deleted and its value displayed as a dashed value.
 Pressing the DELETE softkey when Control FDC selection is boxed will have no effect.
- CANCEL softkey - Discards any changes made to the addresses, control transitions to 188-220 - NETWORK SETTINGS.

h. 188-220 Network Settings—Gun Number Display.

softkey sequencing shall be as follows:

- SELECT - Selects the gun number currently boxed, and assigns it as the gun number for the PDFCS address. Control then transitions to 188-220 NETWORK ADDRESSES (Basic).
- CANCEL - Allows the operator to exit the screen without making any changes. Control then transitions to 188-220 NETWORK ADDRESSES (Basic).



06pc300ta

i. TACFIRE Network Addresses.

Each selection that requires configuration is marked with an asterisk (*). The following values are required:

PALADIN URN
 PALADIN Physical Address
 PALADIN Broadcast Address
 GUN
 Controlling FDC URN
 Controlling FDC Physical Address

SELECT softkey - Selects the currently boxed selection. Transition of control depends on currently selected menu item as described below:

- (1) CONTROL Row selection - If current controlling FDC is the primary FDC, the following message is displayed:
 "CHANGE TO BACKUP?" "YES" "NO"
 If the current controlling FDC is the backup FDC, the following message is displayed:
 "CHANGE TO PRIMARY?" "YES" "NO"
 If NO is selected, no changes are made.
 If YES is selected, the controlling FDC value will be toggled from its current state.

O-6 PDFCS INITIALIZATION - CONTINUED

O-6.2 Initializing - Continued

- (2) URN Column selection - Prompts the operator to enter a URN value. The valid range is 0 to 16,777,214. When the ENT key is pressed, the values are checked for duplicate URN values. If a duplicate value is found within the current configuration, the following message is displayed: "DUPLICATE VALUE-REENTER" "ACK"
Once the message is acknowledged, the operator is required to enter a new URN value or press CANCEL softkey.
- (3) PHYSICAL Column Selection - Control transitions to NETWORK SETTINGS - TACFIRE ADDRESSES with currently selected subscriber identified in the subtitle.
- (4) BROADCAST Column Selection - Control transitions to NETWORK SETTINGS - TACFIRE ADDRESSES with PALADIN Broadcast Address identified in the subtitle.
- (5) GUN NUMBER column Selection - Control transitions to TACFIRE NETWORK SETTINGS - GUN NUMBER.

	URN	PHYSICAL	BROADCAST
PALADIN	* -----	* ---	* --
FDC(P)	* -----	* ---	
FDC(B)	-----	---	
SUB(1)	-----	---	
SUB(2)	-----	---	
SUB(3)	-----	---	
CONTROL	FDC (P)	GUN NUMBER X/X	
CHANGE TO BACKUP?		YES	NO

	URN	PHYSICAL	BROADCAST
PALADIN	1 6 7 7 7 2 1 4	D	C
FDC(P)	* -----	* ---	
FDC(B)	-----	---	
SUB(1)	-----	---	
SUB(2)	-----	---	
SUB(3)	-----	---	
CONTROL	FDC (P)	GUN NUMBER X/X	
SELECT	USE ALL	DELETE	CANCEL

06pc301ta

Softkey sequencing shall be as follows:

- **USE ALL** - If any selection is marked with an asterisk (*), the following message is displayed: "CLEAR *ASTERISKS* TO CONTINUE" "ACK"
If a subscriber entry line is incompletely defined (URN defined and Address not defined, or Address defined and URN not defined) then the following message is displayed: "INCOMPLETE ADDRESS XXXXXX" "ACK"
Where "XXXXXX" identifies the incomplete subscriber: FDC(P), FDC(B), SUB(1), SUB(2) or SUB(3).
If all asterisks are cleared, the address information shall be saved and control transitions to TACFIRE NETWORK SETTINGS.
- **DELETE** - Allows the operator to delete the currently boxed URN or address value. The following message will be displayed: "DELETE ADDRESS" "YES" "NO"
If NO is selected, no changes are made.
If YES is selected, current selection is deleted and its value displayed as a dashed value. Pressing the DELETE softkey when Control FDC selection is boxed will have no effect.
- **CANCEL** - Disregards any changes made to the addresses and control transitions to TACFIRE NETWORK SETTINGS.

O-6 PDFCS INITIALIZATION - CONTINUED

O-6.2 Initializing - Continued

j. Network Settings - Tacfire Addresses Display.

NOTE

The screen subtitle will display which value is being entered as follows:

- PALADIN PHYSICAL ADDRESS
- PALADIN BROADCAST ADDRESS
- PRIMARY FDC ADDRESS
- BACKUP FDC ADDRESS
- OTHER SUBSCRIBER (1) ADDRESS
- OTHER SUBSCRIBER (2) ADDRESS
- OTHER SUBSCRIBER (3) ADDRESS

Addresses currently assigned, with the exception of the address for the value displayed in the subtitle, is not selectable.

softkey sequencing shall be as follows:

- **SELECT** - Selects the value currently boxed, and assigns it as the address for the device displayed in the subtitle. Control then transitions to TACFIRE NETWORK ADDRESS.
- **CANCEL** - Control transitions to TACFIRE NETWORK ADDRESSES without making any changes.

NETWORK SETTINGS - TACFIRE ADDRESSES									
PALADIN PHYSICAL ADDRESS									
A	B	C	D	E	F	G	H	I	J
K	L	M	N	O	P	Q	R	S	T
U	V	W	X	Y	Z	0	1	2	3
4	5	6	7	8	9	#	&	*	+
-	.	?							
SELECT					CANCEL				

NETWORK SETTINGS - TACFIRE ADDRESSES										
PALADIN BROADCAST ADDRESS										
		B	C	D	E	F	G	H	I	J
K	L	M	N	O	P	Q	R	S	T	
U	V	W	X	Y	Z	0	1	2	3	
4	5	6	7	8	9	#	&	*	+	
-	.	?								
SELECT					CANCEL					

06pc299ta

O-6 PDFCS INITIALIZATION - CONTINUED

O-6.2 Initializing - Continued

k. TACFIRE Network Settings - Gun Number Display.

softkey sequencing shall be as follows:

- **SELECT** - Selects the gun number currently boxed, and assigns it as the gun number for the PALADIN address. Control then transitions to TACFIRE NETWORK ADDRESSES.
- **CANCEL** - Allows the operator to exit the screen without making any changes. Control then transitions to TACFIRE NETWORK ADDRESSES.

The screenshot shows a terminal-style interface for 'TACFIRE NETWORK SETTINGS'. At the top, there is a header 'TACFIRE NETWORK SETTINGS' and a sub-header 'GUN NUMBER'. Below this, a list of gun numbers is displayed in two columns: 1/1, 1/2, 1/3, 1/4 in the left column, and 2/1, 2/2, 2/3, 2/4 in the right column. The '1/1' option is highlighted with a rectangular box. At the bottom of the screen, there are two softkey buttons: 'SELECT' on the left and 'CANCEL' on the right.

06pc300f

- i. Other Initialization Steps. When NETWORK has been initialized, a SETUP AND INFORMATION menu will be displayed. There are two pages to this menu. By pressing NEXT PAGE key, second page will be displayed.

NOTE

- Items marked with an asterisk (*) must be entered to complete initialization process. Without these data entries, the system will not be completely initialized and the PDFCS will not be able to receive a mission. The PDFCS will automatically move the cursor box to the next item that has an asterisk (*) each time initialization of a particular item has been completed.
- The NAV UPDATE selection will be blank when a command has been sent to the navigation subsystem and has not yet been completed.
- During initialization, some items will not appear. These items become available following completion of initialization.
- If the PDFCS has a valid NVM the FAST INIT softkey will be available during initialization. Pressing the FAST INIT softkey shall clear the asterisk (*) from the FDC DATA XFER, AMMO INVENTORY, PROP TEMP, and TOTAL RESPONSE fields.

O-6 PDFCS INITIALIZATION - CONTINUED

O-6.2 Initializing - Continued

SETUP AND INFORMATION									
* SET DATE/TIME	* TOT RESPONSE								
* FDC DATA XFER	* LOAD ELEVATION								
* SPHEROID/DATUM	* SECTOR OF FIRE								
* NAV UPDATE	RECEIVED MSG								
* AMMO INVENTORY	WARNING MSG								
* PROP TEMP	MAX TUBE EL								
	SITE DATA								
	SEND CHECKFIRE								
SELECT	NEXT PAGE	FAST INIT							

06pc327ta

SETUP AND INFORMATION									
LAST MOVE ORDERS	STORED TARGETS								
TUBE TEMPERATURE	PDFCS STATUS								
NETWORK	DISPLAY FORMAT								
RESET TCIM	DISPLAY INTENSITY								
MUZZLE VELOCITY	MANUAL MOVE ORD								
SYSTEM RESTART	GPS CONTROL								
MAINTENANCE	RECORD OF FIRE								
IFS	FIRE MISSION MODE								
SELECT	NEXT PAGE	CANCEL							

06pc261ff

Steps of other initialization data entry are done as follows:

- (1) SET DATE/TIME Group - This data is required for proper communications and is used for TOT data and other time related tasks and missions. From SETUP AND INFORMATION menu, box in SET DATE/TIME. Press SELECT key. This will cause a SET DATE/TIME Group menu to be displayed. If GPS data is available select USE GPS. Note, GPS Time is ZULU (Greenwich Mean Time) when USE GPS selected, all times will be aligned to ZULU (Local ZULU and GPS). If GPS data is not available or if POC has instructed you not to use GPS proceed as follows:
 - (a) Enter two digits each for Year, Month, Date, Hour and Minute into boxed-in area.
 - (b) If a mistake is made prior to typing in all 10 digits, press CLR key and try again. If all 10 digits have been typed in, then menu will automatically show a SET DATE/TIME GROUP display with prompt.
 - (c) If incorrect data has been typed in after all 10 digits have been entered, press CANCEL key. This will return display to SET DATE/TIME menu. Then proceed with reentering correct data for Date/Time Group.
 - (d) To ensure proper time synchronization between the PDFCS and POC/FDC, a countdown to MARK should be controlled by the POC. If data is correct when MARK is announced by POC, press MARK key to start the clock. This will return the display to the SETUP AND INFORMATION menu.
 - (e) Date/Time setting on system - Defaults to system clock if no other input is entered in. FDC and the PDFCS messages will be rejected if more than 60 minutes difference between FDC time and PDFCS time has elapsed. Unit SOP needs to be in real Date/Time.

O-6 PDFCS INITIALIZATION - CONTINUED

O-6.2 Initializing - Continued

SET DATE / TIME GROUP

ZULU	TIME	IS	99:02:05:1230:52
LOCAL	TIME	IS	99:02:05:1230:52
GPS	TIME	IS	99:02:05:1230

TIME ZONE Z
 DAYLIGHT SAVINGS STANDARD

SET LOCAL TIME __:__:__:__:

SELECT USE LOCAL USE GPS CANCEL

06pc177ta

NOTE

Upon entering the Current DTG, Current Zulu, and Current GPS time, if available, shall be displayed to the operator. Operator must enter Time Zone, Daylight Savings and NEW DTG. The first time the PDFCS-XXI program is executed the Zulu and Local time will be calculated from the hardware clock.

SELECT TIME ZONE - ENTER SELECT TIME ZONE IN ACCORDANCE WITH UNIT SOP.

SELECT TIME ZONE

A	B	C	D	E	F	G
H	I	K	L	M	N	O
P	Q	R	S	T	U	V
W	X	Y	Z			

SELECT CANCEL

06pc178ta

SELECT DAYLIGHT SAVINGS - ENTER SELECT DAYLIGHT SAVINGS TIME IN ACCORDANCE WITH UNIT SOP.

SELECT DAYLIGHT SAVINGS

STANDARD

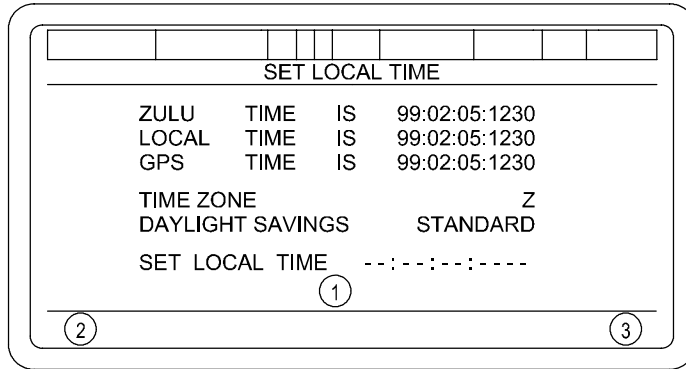
1/2	HR	AHEAD
1	HR	AHEAD
2	HRS	AHEAD

SELECT CANCEL

06pc179ta

O-6 PDFCS INITIALIZATION - CONTINUED

O-6.2 Initializing - Continued



06pc180tc

1

TYPE IN NEW DTG - YY:MM:DD:HHMM = Shall appear below the SET LOCAL TIME row upon entry to display above menu. Operator must enter date in format displayed (YY:MM:DD:HHMM). Operator may press CLEAR any time to reset entry.

PRESS MARK TO SET LOCAL TIME = Shall appear below the SET LOCAL TIME row upon entry of the last digit of the minute.

2

MARK = The MARK key shall be displayed upon entry of the last digit of the minute. When the MARK key is pressed the Local Time shall be processed and returned to the SET UP AND INFORMATION menu.

INVALID DTG VALUE **ACK** = If an invalid DGT is entered, this error shall be displayed to the operator. Press "ACK" and re-enter the date and time.

3

CANCEL = When PRESS MARK TO SET LOCAL TIME is displayed and the CANCEL key is pressed the SET LOCAL TIME entries shall be cleared and the operator shall be able to enter a new LOCAL TIME.

= When the CANCEL key is pressed under all other conditions to display the SETUP AND INFORMATION menu will be displayed.

Date/Time setting on System - Defaults to system clock if no other Input is recorded in FDC and PDFCS. Messages will reject if more than 60 minutes has elapsed. Unit SOP needs to be in real Date/Time.

O-6 PDFCS INITIALIZATION - CONTINUED

O-6.2 Initializing - Continued

NOTE

The FDC data transfer must be done each time you initialize the PDFCS, if the FDC/FDC is operational.

- (2) FDC DATA XFER - To get initialization data from the POC/FDC, box in FDC DATA XFER and then press SELECT key. This will cause a FDC DATA XFER menu to be displayed with INITIALIZATION already boxed and Operator Alert. Pressing YES key will send a request to POC/FDC for needed data. Data includes: Subscriber File Message, Map Modification Input Message, Computer Meteorological Message, and Registration Data Input Message. This ensures that operator can properly communicate with other subscribers and can compute fire mission accurately. If NO ACK REQ INIT is displayed, contact POC to ensure that proper initialization has taken place. Repeat procedure if required. When initialization is complete, press CANCEL key.

If FDC DATA XFER does not have an asterisk (*), then pressing the SELECT key will cause a FDC DATA XFER menu to be displayed without INITIALIZATION boxed. Box in INITIALIZATION and press SELECT key to provide the Operator Alert. Pressing YES sends the request to POC/FDC as described above.

SETUP AND INFORMATION	
<ul style="list-style-type: none"> * SET DATE/TIME * FDC DATA XFER * SPHEROID/DATUM * NAV UPDATE * AMMO INVENTORY * PROP TEMP 	<ul style="list-style-type: none"> * TOT RESPONSE * LOAD ELEVATION * SECTOR OF FIRE RECEIVED MSG WARNING MSG MAX TUBE EL SITE DATA SEND CHECKFIRE
SELECT NEXT PAGE FAST INIT	

FDC DATA TRANSFER	
<p style="text-align: center;">SEND</p> <ul style="list-style-type: none"> PIECE STATUS SITE DATA MVV DATA AMMO STATUS GEOMETRIES RECORD OF FIRE 	<p style="text-align: center;">GET</p> <ul style="list-style-type: none"> INITIALIZATION MOVE ORDERS MVV DATA PIECE STATUS SITE DATA AMMO STATUS
SELECT	CANCEL

06pc323t

SELECT softkey - The following message will be displayed: "ARE YOU SURE?" "YES" "NO".

CANCEL softkey - Selection of this key will transition display back to the SETUP AND INFORMATION screen without cancelling any SEND or GET requests.

O-6 PDFCS INITIALIZATION - CONTINUED

O-6.2 Initializing - Continued

- (3) SELECT SPHEROID/DATUM - The FDC DATA XFER, INITIALIZATION data includes a SPHEROID/DATUM.

The screenshot shows a terminal window titled "SPHEROID/DATUM ENTRY". At the top, there is a header bar with several empty boxes. Below the header, the menu is divided into two sections. The first section has three columns: "SPHEROID", "USRDEF", and "GRID ZONE". The "GRID ZONE" column contains the value "1". The second section has two columns: "DATUM" and "USRDEF". Below these sections, there is a table of datum offsets:

DATUM OFST	X	+0.1	Y	+0.0	Z	+0.0
SPHEROID	MAJ	6378137.00	MIN	6356752.31		

At the bottom of the window, there are three buttons: "SELECT", "USE ALL", and "CANCEL".

Annotations: NOTE 1 points to the "SPHEROID" field; NOTE 2 points to the "DATUM OFST" table; NOTE 3 points to the "GRID ZONE" field.

06pc249tb

Check to see if all the data is correct. If it is correct, press the USE ALL key, and proceed with the initialization. If an entry is not correct, select that field and make corrections.

- NOTE 1 Selection of this field will display SELECT SPHEROID menu.
- NOTE 2 Field is only present if user defined USRDEF DATUM is used.
- NOTE 3 When GRID ZONE is selected the following will be displayed.

The screenshot shows a terminal window titled "SPHEROID/DATUM ENTRY". At the top, there is a header bar with several empty boxes. Below the header, the menu is divided into two sections. The first section has three columns: "SPHEROID", "WE", and "GRID ZONE". The "GRID ZONE" column contains the value "1". The second section has two columns: "DATUM" and "WE". Below these sections, there is a message:

TYPE GRID ZONE
1 TO 60
- PRESS ENT KEY -

At the bottom right of the window, there is a "CANCEL" button.

06pc250ta

O-6 PDFCS INITIALIZATION - CONTINUED

O-6.2 Initializing - Continued

SELECT SPHEROID	
AN	AUSTRALIAN NATIONAL
BR	BESSEL 1841
BN	BESSEL NAMBIA
CC	CLARKE 1866
CD	CLARKE 1880
EB	EVEREST (BRUNEI)
EA	EVEREST (1830)
EC	EVEREST (1956)
MORE BELOW	
SELECT CANCEL	

06pc251ta

When more than one page is required to display choices, scrolling shall be enabled and “MORE BELOW” or “MORE ABOVE” will be displayed.

Enter the defined SPHEROID, PRESS the SELECT softkey and the SELECT DATUM menu will be displayed. Refer to PDFCS/FDC Spheroid and Datum table in Appendix J.1 for SPHEROID listings.

Softkey SEQUENCING SHALL BE AS FOLLOWS:

1. If USRDEF is boxed in and SELECTED then the ENTER USER DEFINED SPHEROID MAJOR AXIS menu will be displayed.
2. If any other SPHEROID is SELECTED then the SELECT DATUM menu will be displayed to force SELECTION of the DATUM.
3. If CANCEL, then the SPHEROID/DATUM ENTRY menu will be displayed.

Maps are based upon a “reference datum”. This is really the model of the Earth that the cartographer uses when making a map. The reference datum consists of two parts, the spheroids and the datum offsets.

The Earth is really not a perfectly round globe but is a little “fatter” at the equator. Therefore, the mapmaker uses a spheroid rather than a globe to describe the Earth’s shape. Instead of just using one radius as one would do to describe a globe, two values are used. The first is the semi-major axis. It is the radius of the Earth at the equator. The second number is the semi-minor axis. It is the distance from the center of the Earth to the poles. It is slightly smaller than the semi-major axis. (The WGS 84 model of the Earth uses a semi-major axis of 6,378,137 meters and 6,356,752 meters for the semi-minor axis).

The cartographer may choose to base his model of the Earth’s surface using a center point that is different from the true center of the Earth. This offset of the center point is described by three “datum offset” values: delta X, delta Y, and delta Z. These values are typically a few hundred meters.

There are many standard spheroid and datums commonly used for maps. If the spheroid/datum is not supplied by a message from FDC, the PDFCS operator will be told to select a certain spheroid and datum at the display unit. The starting point for entering this data is the SPHEROID/DATUM ENTRY display.

The spheroid is selected using the SELECT SPHEROID sub-display. This display lists choices. It is possible to use spheroid values different from the ones in the display lists. The different values are entered as “user defined”. This is selected by the USRDEF option listed as a choice for a spheroid. If the operator selects USRDEF, other sub-displays prompt him to enter the semi-major and semi-minor axis. These values must be obtained from the POC and should only be used with guidance from Battery Commander.

O-6 PDFCS INITIALIZATION - CONTINUED

O-6.2 Initializing - Continued

ENTER USER DEFINED SPHEROID MAJOR AXIS

6378137.00

TYPE VALUE
BETWEEN 6376137.00 AND 6380137.00
- PRESS ENT KEY -

CANCEL

06pc252td

1. An unedited DATA fields remain at their current values when ENT is pressed.
2. Enter the appropriate value and press ENT key. The USER DEFINED SPHEROID MINOR AXIS menu will be displayed.
3. If the CANCEL key is selected the SELECT SPHEROID menu will be displayed.

ENTER USER DEFINED SPHEROID MINOR AXIS

6356752.31

1

CANCEL

06pc252tf

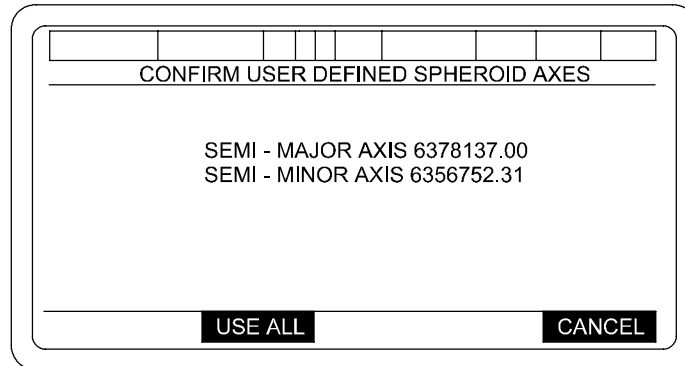
- ① TYPE VALUE
BETWEEN XXXXXXXX.XX AND YYYYYYYY.YY
PRESS ENT KEY

Where XXXXXXXX.XX and YYYYYYYY.YY are the minimum and maximum allowable values for the semi-minor axis, which will appear after entry into this screen.

O-6 PDFCS INITIALIZATION - CONTINUED

O-6.2 Initializing - Continued

1. An unedited DATA fields remain at their current values when ENT is pressed.
2. Enter the appropriate value and press ENT key. The CONFIRM USER DEFINED SPHERIOD AXIS menu will be displayed.
3. If the CANCEL key is selected the ENTER USER DEFINED SPHEROID MAJOR AXIS menu will be displayed.



06pc252te

Softkey sequencing shall be as follows:

If **CANCEL** , then ENTER USER DEFINED SPHERIOD MINOR AXIS menu will be displayed.

If **USE ALL** , then the SELECT DATUM menu will be displayed.

The datum offset is selected using the SELECT DATUM sub-display. This display lists valid choices listed by an alphabetical code. It is possible to use datum offset values different from the ones in the display lists. The different values are entered as "user defined". This is selected by the USRDEF option listed as a choice for datum offset. The datum offset values are entered using the ENTER USER DATUM PARAMETERS sub-display. The offset values are listed as DATUM OFFSET X, Y, and Z.

There is a restriction on the use of user defined spheroid and datum. The operator cannot use a new user defined spheroid if current spheroid selection is user defined. Likewise, the operator cannot select a new user defined datum selection if the current datum selection is user defined. If the operator wants to go from a user defined datum to a new user defined datum, the operator should simply select any standard datum and then enter the new user defined. Likewise, if the operator wants to go from a user defined spheroid to a new user defined spheroid, the operator should simply select any standard spheroid and then enter the new user defined.

O-6 PDFCS INITIALIZATION - CONTINUED

O-6.2 Initializing - Continued

When DATUM is selected, SELECT DATUM menu is displayed:

NOTE

The DATUMS available are dependant on the SPHEROID selected.

SELECT DATUM	
BUR	BUKIT RIMPAH
BAT	DJAKARTA BATAV
GSE	GUNUNG SEGARA
MAS	MASSAWA
TOY-M	TOKYO (MEAN)
USRDEF	USER DEFINED

06pc253ta

If **CANCEL** then the ENTER SPHEROID/DATUM ENTRY will be displayed.

When more than one page is required to display choices, scrolling shall be enabled and "MORE BELOW" or "MORE ABOVE" will be displayed.

Box in the correct DATUM and press the SELECT key. The DATUMS available are dependent on the SPHEROID selected. See PDFCS/FDC Spheroid and Datum table in appendix J.1.

NOTE

- The reference frame for UTM position coordinates is a DATUM. Typically, a local DATUM is defined by an ellipsoidal Earth model (SPHEROID) and a starting point (origin) for the coordinate system. Coordinates on a map or in a Trig list (SCPs) often are on a Local DATUM. An example of a Local DATUM is the North American 1927 (NAD 27) DATUM used in the United States.
- There have been many different Local DATUMS developed. GPS computes position on the World Geodetic System 1984 (WGS 84), a worldwide coordinate system. To use GPS with coordinates on a Local DATUM, the coordinates must be mathematically shifted. The PDFCS (DRUH and DAGR) can automatically perform DATUM shifting, but first the operator must select the Local DATUM to be used, or provide the appropriate shift parameters. For PDFCS operation, Local DATUMS are represented by two sets of parameters: the Local Ellipsoid (SPHEROID) and shift parameters as defined for each Local DATUM (DATUM IDs).

O-6 PDFCS INITIALIZATION - CONTINUED

O-6.2 Initializing - Continued

NOTE - Continued

- The FDC can provide the SPHEROID. The SPHEROID selected will determine which DATUM IDs will be available for selection. The PDFCS/FDC SPHEROID and DATUM TABLE provides the SPHEROID number for the PDFCS and FDC, which DATUM IDs are available for that SPHEROID number and the normal coverage area. Note that there may be more than one DATUM ID associated with a Local DATUM because the shifts vary by locality. For other DATUMS or areas outside the indicated coverage area, User Defined (USRDEF) Datum shifts may be entered manually. The table is not intended as an absolute. A map sheet will identify the DATUM name, Ellipsoid (SPHEROID) name and the coordinate type, or the map sheet will identify the area. The data from a Trig list should identify the same information. These parameters must be correlated to the DATUM ID. If the applicable DATUM hasn't been programmed in the PDFCS, shift parameters for many other DATUMS and regions have been published in DMA TR 8350.2 and may be entered thru the DATUM X, Y, and Z OFFSETS. Note that the PDFCS cannot accept shift parameters for all DATUMS because its SPHEROID capability is limited to those listed in the PDFCS/FDC Spheroid and Datum table in appendix J.1.

If the DATUM USRDEF is selected, then the DATUM X, Y, and Z offsets must be entered. These values must be obtained from the POC and should only be used with guidance from Battery Commander.

The ENTER USER DATUM PARAMETERS page should look like:

06pc254ta

- When field selected:
TYPE OFFSET
BETWEEN -2000.0 AND +2000.0
-PRESS ENT KEY-
- When field selected:
Otherwise:
- When no fields are selected:
Otherwise: BLANK

O-6 PDFCS INITIALIZATION - CONTINUED

O-6.2 Initializing - Continued

NOTE

Any un-edited DATA fields remain at their current values when USE ALL key is pressed.

Softkey sequencing shall be as follows:

- If **CANCEL** , then the SELECT DATUM menu will be displayed.
- If **USE ALL** , then the ENTER SPHEROID/DATUM ENTRY menu will be displayed.
- If **CANCEL** is selected, all information up to this point will be deleted.

SPHEROID/DATUM ENTRY			
SPHEROID	USRDEF	GRID ZONE	1
DATUM	USRDEF		
DATUM OFST X	+0.1 Y	+0.0 Z	+0.0
SPHEROID MAJ	6378137.00	MIN	6356752.31
SELECT		USE ALL	
		CANCEL	

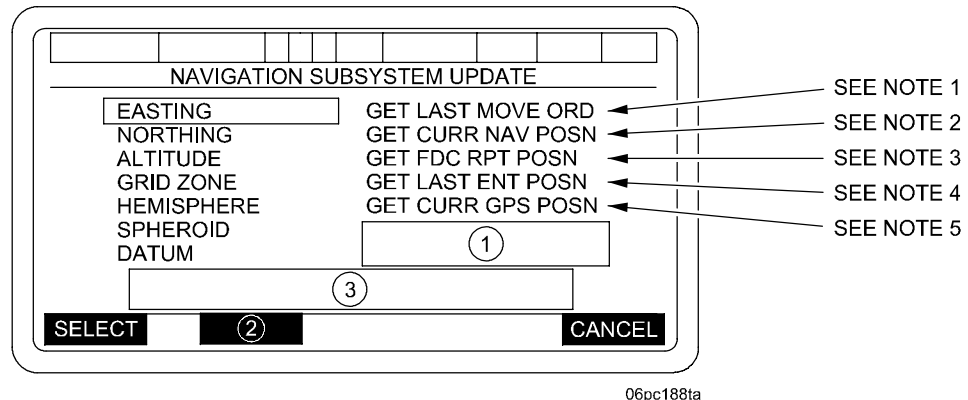
06pc270ta

If **USE ALL** is selected, all information will be locked in and the SETUP AND INFORMATION MENU will be displayed.

O-6 PDFCS INITIALIZATION - CONTINUED

O-6.2 Initializing - Continued

- (4) NAV UPDATE - Navigation Subsystem Update is performed as follows:
- With the Gun Tube in Travel Lock, park the howitzer at a known Survey Control Point (SCP) with the left sprocket within one meter of SCP.
 - Box in *NAV UPDATE and press the SELECT softkey. This will bring up the NAVIGATION SUBSYSTEM UPDATE menu.



NOTE

The datum to be used is selected from the SETUP AND INFORMATION menu (Enter MAP/DATUM menu)

- ① This field contains OPERATOR PROMPTS and selections which depend on the current status of the NAVIGATION SUBSYSTEM
- ② When ALTITUDE SELECTED - **+/-**
otherwise - **USE ALL**
- ③ This field contains OPERATOR PROMPTS for updating the values of: EASTING, NORTHING, ALTITUDE, and GRID ZONE:
When EASTING is selected:
Type EASTING 1 to 999999
Press ENT key
When NORTHING is selected:
Type NORTHING 0 to 9999999
Press ENT key
When ALTITUDE is selected:
Type ALTITUDE -400 to 9999
Press ENT key
When GRID ZONE is selected:
Type GRID ZONE XX, YY, or ZZ
Press ENT key
Where XX, YY and ZZ are dependent on the Grid Zone (GZ) previously entered on the SPHERIOD/DATUM display. XX identifies the GZ to the west of the entered GZ, YY is equal to the entered GZ and ZZ identifies the GZ to the east of the entered GZ.
HEMISPHERE = NORTH or SOUTH
SPHEROID = 1 . . 9 and A . . I and USRDEF (not modifiable by operator)
DATUM = See PDFCS/FDC Spheroid and Datum table in appendix J.1 (not modifiable by operator on this display).

O-6 PDFCS INITIALIZATION - CONTINUED

O-6.2 Initializing - Continued

NOTE 1: Blank if no Move Order occurred since the last power up of the PDFCS.

NOTE 2: Blank when Navigation Subsystem is not available.

NOTE 3: Available if position data has been sent from the FDC. Selection disappears when PDFCS operator performs Nav Update or Move Order.

NOTE 4: Last coordinates on which position update was performed. Blank if operator has pressed the ARRIVED key at a position area since the last position update.

NOTE 5: Field is blank when the following conditions exist:

- a. Navigation subsystem functionality not currently available.
- b. GPS position data not currently available from the Navigation subsystem.
- c. The GPS position data currently available has an estimated probable error greater than the navigation devices' "poor GPS data limit".

If the available GPS data has an estimated probable error greater than the Navigation device "Good GPS data limit", but less than or equal to the navigation device "Poor GPS data limit" when this menu item is selected, then the following alert will be placed on the softkey line:

USE DGRD GPS DATA? YES NO

If the YES softkey is pressed, then the available GPS data shall be used to update the listing, Northing, and Altitude fields on the menu. If the NO softkey is pressed, then the Easting, Northing, and Altitude fields on the menu will not be updated with the available GPS data.

- (c) Operator warning/alerts - When USE ALL is selected and the coordinate data entered does not correlate with the other data the following messages will be displayed:
 1. "POSITION COORDINATES INVALID" and "RE-ENTER VALUE ACK" when the local UTM coordinate does not transform to WGS 84.
 2. "NORTHING VALUE NOT VALID" and "RE-ENTER VALUE ACK" when the entered Northing coordinate is invalid when correlated with other entered data.
 3. "EXCEEDED 84N OR - 80S LATITUDE" and "RE-ENTER VALUE ACK" when the latitude does not correlate with the local UTM to WGS 84 transformation.

If the operator attempts to enter a position that is more than one grid zone away, then the AFCS will revert to the default value of 50000 E and 0 N in the current gridzone with no warnings.

If operator selects GET LAST ENT POSN on the NAV UPDATE screen, AFCS will display the last data that was entered when operator selected USE ALL while conducting a position update. The AFCS will suppress the GET LAST ENT POSN entry once the Paladin moves and arrives at a new location (INT, LOG, FIRE PT, or FIRE AREA).

O-6 PDFCS INITIALIZATION - CONTINUED

O-6.2 Initializing - Continued

NOTE

Perform the following steps in accordance with unit SOP.

- (d) **RESTART REQUIRED** - This prompt will appear in field (1). With the gun tube in travel lock, the Howitzer must be positioned at a Survey Control Point (SCP) with the left front sprocket within one meter on the SCP. No selection of **RESTART REQUIRED** is required, it will happen automatically and a full alignment will be performed. Enter the SCP data of **EASTING**, **NORTHING**, **ALTITUDE** and **GRID ZONE**. When all data is entered, double check the SCP coordinates and **SPHEROID/DATUM**, and **HEMISPHERE** displayed on the screen. If it is not correct, make any correction. If it is correct, press the **USE ALL** softkey. The following prompt will be displayed:

“NAV POSITION UPDATE ABOUT TO START” “ARE YOU SURE” “YES” “NO”

Press the **YES** softkey, and the Navigation Position Update will be started. The **SETUP AND INFORMATION** menu will appear. The prompt “**CMD**” will appear in field (6), and then be replaced by the Align Time to Go countdown. Proceed with the rest of Initialization.

- (e) **NAV POSITION UPDATE** - If this prompt is displayed in field (1), then only a Navigation Subsystem Position Update is required. With the gun tube in travel lock, the Howitzer must be positioned at a Survey Control Point (SCP), with the left front sprocket within one meter of the SCP. Enter the SCP data of **EASTING**, **NORTHING** and **ALTITUDE**. When all data is entered, double check the SCP coordinates and **SPHEROID/DATUM**, **GRID ZONE** and **HEMISPHERE** displayed on the screen. If it is not correct, make any correction. If it is correct, press the **USE ALL** softkey. The following prompt will be displayed:

“NAV POSITION UPDATE ABOUT TO START” “ARE YOU SURE” “YES” “NO”

Press the **YES** softkey, and the Navigation Position Update will be started. The **SETUP AND INFORMATION** menu will appear. The prompt “**CMD**” will appear in field (6), and then be replaced by the Align Time to Go countdown. Proceed with the rest of Initialization.

- (f) **NAV RESTART** - If the prompt **NAV POSITION UPDATE** is highlighted and selected, a message prompt “**CHANGE TO RESTART**” “**YES**” “**NO**” will appear. Press the **YES** softkey. “**FORCE NAV RESTART**” will appear. Press **USE ALL** then press the **YES** softkey to “**ARE YOU SURE**” prompt, the **SETUP AND INFORMATION** menu will be displayed and **CMD** will be displayed in field (6). This will be replaced with the Align Time to Go count down timer. The Navigation Subsystem aligns itself automatically.

O-6 PDFCS INITIALIZATION - CONTINUED

O-6.2 Initializing - Continued

NOTE

The Navigation Subsystem has 3 modes of alignment; Stored Heading Alignment, Normal Alignment and Dynamic Alignment.

- (1) Stored Heading Alignment - Will occur only if the previous PDFCS shutdown was orderly and the Howitzer or Turret has not moved since the last shutdown. This Alignment will take a maximum of 90 seconds, and will start as soon as the power is applied to the Navigation Subsystem. A NAV UPDATE is still required. But since the Howitzer has not moved since the last shutdown, all the NAV UPDATE data should be correct and only pressing the USE ALL softkey is required. If the Howitzer has been moved since the last shutdown, or the last shutdown was abnormal, or the Howitzer was moving during the last shutdown procedure, the Stored Heading Alignment will automatically be rejected and after a NAV UPDATE is performed the Navigation Subsystem will automatically perform a Normal Align.
- (2) Normal Alignment - Will occur when ever a Stored Heading Alignment cannot be performed. This alignment will take a maximum of 15 minutes (900 seconds). After the NAV UPDATE is performed and accepted, the Normal Alignment will automatically start, and the Align Time to Go counter will start counting down to 0. During the countdown, a message "OK TO MOVE OR SHOOT" "ACK" may appear before the countdown reaches 0. This means the Navigation Subsystem estimated Azimuth Error is within the bounds that are safe to move or shoot. At this point, a Move Order or Fire Missions may be performed. If the DAGR data is valid (i.e. the "A" is gone) the Align Time to Go counter will continue to countdown while the Howitzer is moving. If the DAGR is not valid (i.e. "A" is on), the timer will stop counting during movement and ZUPTs will be requested.
- (3) Dynamic Alignment - A Dynamic Alignment is nothing more than a moving Normal Alignment, but the following conditions must be met: The DAGR must have data (i.e. the "A" is gone) and a NAV UPDATE must have been performed prior to movement. If these conditions are true, then the Howitzer may be moved before the "OK TO MOVE OR SHOOT" "ACK" is displayed. Move Orders and Fire Missions cannot be performed, but as long as the DAGR is valid (i.e. the "A" is gone), the Align Time to Go timer will continue to countdown and the Navigation Subsystem will not require a RESTART. Moving prior to the "OK TO MOVE OR SHOOT" "ACK" must be done in accordance with Unit SOP.

O-6 PDFCS INITIALIZATION - CONTINUED

O-6.2 Initializing - Continued

NOTE

PDFCS supports two modes of Navigation Update; a Position Update and a Navigation Subsystem Restart. Normally, the Navigation Subsystem will align itself automatically, so only a Position Update is required.

- (g) To perform a NAV Position Update, if entries are correct per unit SOP. If incorrect, this indicates that FDC DATA Transfer of the Map Mod was not successful in the previous step; press CANCEL, to return to the SETUP AND INFORMATION menu and repeat the FDC DATA XFER procedure to get initialized by FDC. If GRID ZONE, HEMISPHERE and SPHEROID entries are correct, then enter, in turn, EASTING, NORTHING, and ALTITUDE as follows: for each item, first box in the item, then press SELECT key. Use PDFCS keypad to type in value. Press ENT key. Press USE ALL to complete the NAV UPDATE and return to the SETUP AND INFORMATION menu.

If invalid data is entered, the Navigational System will reject it and ask for data re-entry. Press ACK key to acknowledge Alert and re-enter data.

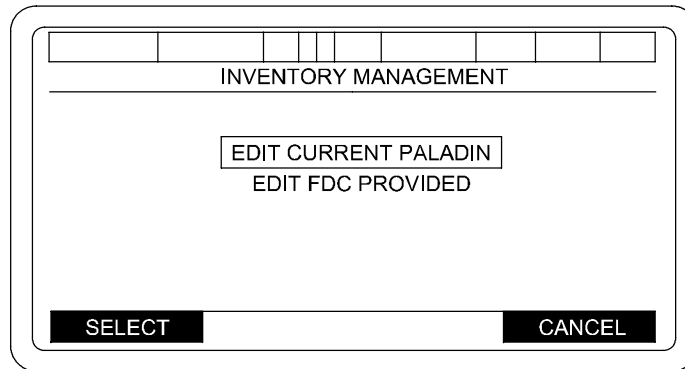
NAVIGATION SUBSYSTEM UPDATE		
EASTING	0	
NORTHING	84317	GET CURR NAV POSN
ALTITUDE	256	
GRID ZONE	1	
HEMISPHERE	NORTH	GET CURR GPS POSN
SPHEROID	USRDEF	NAV POSITION UPDT
DATUM	USRDEF	
TYPE EASTING 1 TO 999,999		
- PRESS ENT KEY -		
VALUE TOO SMALL		ACK

06pc324ta

O-6 PDFCS INITIALIZATION - CONTINUED

O-6.2 Initializing - Continued

- (5) AMMO INVENTORY - Ammunition inventory must be done before the PDFCS will accept a fire mission. Inventories must be complete and accurate before the system initialization is completed. The three parts of the inventory records, Shells, Propellants, and Fuzes, are updated as follows:
- (a) Box in AMMO INVENTORY from the SETUP AND INFORMATION menu. Then press SELECT key. This will cause an INVENTORY MANAGEMENT menu to be displayed. Box in either EDIT CURRENT PALADIN or EDIT FDC PROVIDED data. Press SELECT key. This will cause an INVENTORY MANAGEMENT menu to be displayed.



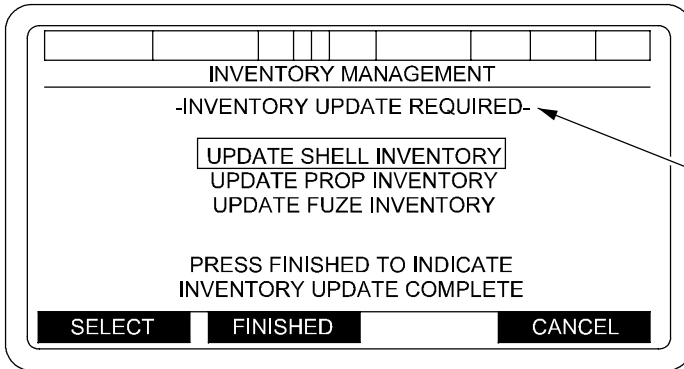
06pc654ma

NOTE

- This menu will not be displayed when FDC provided Inventory Data is not available at the PDFCS.
- You can request the POC to provide your Ammo Inventory from the FDC if you know it is a correct count. Use FDC DATA XFER to GET AMMO STATUS (para O-6.2.l(2)).

O-6 PDFCS INITIALIZATION - CONTINUED

O-6.2 Initializing - Continued



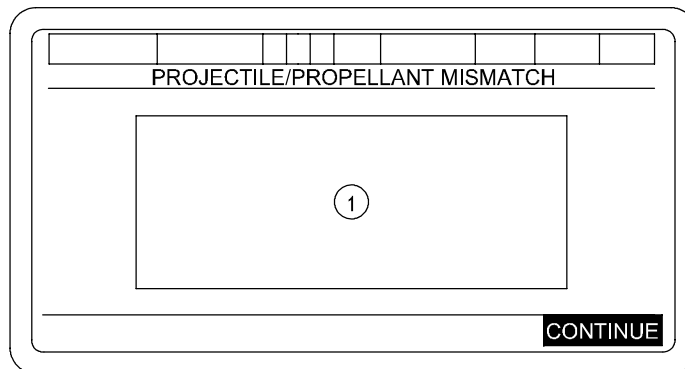
MESSAGE ONLY APPEARS IF FIRE MISSION RECEIVED BEFORE OPERATOR VERIFIED AMMO FROM PREVIOUS MISSION

06pc118mb

NOTE

If a Fire Mission is activated while in the UPDATE FUZE INVENTORY submenus, all valid complete entries with consistent Fuze country code matches will be saved. The Paladin will save complete projectile/propellant entries when the FINISHED softkey is pressed.

FINISHED = When the FINISHED key is pressed the ammunition inventory shall be reviewed to insure each group of projectiles has at least one propellant and each group of propellants has at least one projectile. If a projectile is found without a propellant or a propellant without a projectile, the PDFCS will display PROJECTILE/PROPELLANT MISMATCH menu.



06pc189ta

CONTINUE = Will display INVENTORY MANAGEMENT menu.

① = NO ** PROJECTILE and or NO ** PROPELLANT MATCH for each country.
 ** = BE, CA, DA, FR, GE, IT, NL, NO, PO, SP, US or UK

NOTE

Use Up and DOWN keys to scroll.

- (b) Box in UPDATE SHELL INVENTORY. Press SELECT key. This will cause an UPDATE SHELL INVENTORY menu to be displayed.

O-6 PDFCS INITIALIZATION - CONTINUED

O-6.2 Initializing - Continued

TYPE	LOT	WT	ONH	+/-	CC
M107DC	A	4SQ	250	0	US
M712	B	4SQ	250	0	US
M731	C	4SQ	250	0	US
M898	D	4SQ	250	0	US
-----	-	----	----	---	--

SELECT USE ALL DELETE CANCEL

06pc190tb

NOTE

- When USE ALL key is selected to update inventory, it will automatically forward to the INVENTORY MANAGEMENT screen.
 - Pressing the DELETE key will cause the selected shell to be deleted from inventory no matter where on the inventory line the selection box is positioned.
 - If the operator presses the DELETE key or attempts to modify the lot for a shell that is currently being used for a fire mission, the operator warning “UNALLOWED - BEING USED BY FM” “ACK” will be displayed.
- (c) To add a new entry, box in the first blank line. Press SELECT key. This will cause an UPDATE SHELL INVENTORY-SELECT SHELL TYPE menu to be displayed.

NOTE

When more than one page is required to display choices, MORE BELOW and/or MORE above may be used to navigate between screens.

TYPE	LOT	WT	ONH	+/-	CC
M107DC	M110		M110A1		M110A2
M116A1	M449A1		M483A1		M485A1
M485A2	M549		M549A1		M692
M712	M718		M718A1		M731
M741	M741A1		M795		M825
M825A1	M864		M864A1		M898

SELECT MORE BELOW CANCEL

06pc191f

O-6 PDFCS INITIALIZATION - CONTINUED

O-6.2 Initializing - Continued

INITIALLY BOX SHELL TYPE FROM THE SELECTED INVENTORY ENTRY OR BOX THE FIRST ITEM IF A BLANK LINE WAS SELECTED

UPDATE SHELL INVENTORY				SELECT SHELL TYPE	
TYPE	LOT	WT	ONH	+/-	CC
-----	-	-----	----	---	US
MORE ABOVE					
<input type="text" value="XM982"/>	M982		DM702		DM702A1
0155ACF1	155BONUS				

COUNTRY OF ORIGIN

SELECT **CANCEL**

06pc1911e

- (d) Press SELECT key to display a SELECT LOT menu.
- (e) Box in Lot choice and press SELECT key. This will cause a lot designator to be assigned to the selected shell. Once a lot selection is made, that designator (letter) will disappear. This prevents using same lot twice.

O-6 PDFCS INITIALIZATION - CONTINUED

O-6.2 Initializing - Continued

INITIALLY BOX LOT FROM
SELECTED INVENTORY
ENTRY (IF BLANK LINE
NOT SELECTED)
OTHERWISE BOX
THE FIRST AVAILABLE
UNUSED LOT

BLANK ALL USED
LOTS EXCEPT THE
LOT FROM THE
SELECTED INVENTORY
ENTRY (IF A BLANK
LINE NOT SELECTED)

UPDATE SHELL INVENTORY						SELECT LOT
TYPE	LOT	WT	ONH	+/-	CC	
	B	C	D	E	F	
G	H	I	J	K	L	
M	N	O	P	Q	R	
S	T	U	V	W	X	
Y	Z					

SELECT
CANCEL

06pc192ta

NOTE

Weight will be displayed in pounds or squares.

- (f) Box in WT choice and press SELECT key; an ENTER SHELL WEIGHT menu will be displayed. If shell weight is not the same as default weight, type in new weight and press ENT key. This will cause the UPDATE SHELL INVENTORY menu to be displayed.

ENTER SHELL WEIGHT					
TYPE	LOT	WT	ONH	+/-	CC
		WT <input style="width: 50px;" type="text"/>			US

TYPE WEIGHT IN POUNDS
 BETWEEN _____ AND _____
 - PRESS ENT KEY -

CANCEL

06pc193ta

- (g) Move box to proper column (ONH, ADD or SUB) in desired line and press SELECT key. A prompt to TYPE SHELL QUANTITY will be displayed. Type in new quantity and press ENT key. New quantity will be displayed.
- (h) When all shell data has been updated or edited, press USE ALL key to return to INVENTORY MANAGEMENT menu.

O-6 PDFCS INITIALIZATION - CONTINUED

O-6.2 Initializing - Continued

UPDATE SHELL INVENTORY			UPDATE QUANTITY		
TYPE	LOT	WT	ONH	+/-	CC
_____	_____	_____	<input type="text"/>	_____	US
_____	_____	_____	_____	_____	_____
_____	_____	_____	_____	_____	_____

TYPE SHELL QUANTITY -PRESS ENT KEY- CANCEL

(CC)-COUNTRY CODE

NUMERIC FIELD ENTERS NEW ON-HAND QUANTITY (0-9999)

NUMERIC FIELD ADDS/SUBTRACTS ENTERED VALUE TO ON-HAND QUANTITY (1-9999)

UPDATE SHELL INVENTORY			UPDATE QUANTITY		
TYPE	LOT	WT	ONH	+/-	CC
_____	_____	_____	_____	<input type="text"/>	US
_____	_____	_____	_____	_____	_____
_____	_____	_____	_____	_____	_____

TYPE SHELL QUANTITY +/- -PRESS ENT KEY- CANCEL

COUNTRY OF ORIGIN

NUMERIC FIELD ENTERS NEW ON-HAND QUANTITY (0-9999)

NUMERIC FIELD ADDS/SUBTRACTS ENTERED VALUE TO ON-HAND QUANTITY (1-9999)

06pc194ta

NOTE

- The +/- softkey will appear when the +/- column is selected. If you select the ONH column, the +/- softkey will not appear.
- Minus values must not exceed the amount on-hand. Plus values must not cause the on-hand total to exceed 9999. Either of these conditions shall cause the error message: "VALUE TOO SMALL" "ACK" or "VALUE TOO BIG" "ACK".

O-6 PDFCS INITIALIZATION - CONTINUED

O-6.2 Initializing - Continued

- (i) Box in UPDATE PROP INVENTORY on INVENTORY MANAGEMENT (UPDATE) menu. Press SELECT key to display UPDATE PROP INVENTORY menu.

BLANK IF NO EXTENDED LOT AVAILABLE

PROPELLANTS ARE SORTED BY LOT

UPDATE PROP INVENTORY				SELECT FIELD	
TYPE	LOT	ONH	+/-	CC	
_____ / _____		[]	_	US	
_____ / _____		_	_	_	
_____ / _____		_	_	_	
_____ / _____		_	_	_	

LAST ENTRY OF MENU IS DASHED UNLESS ALL LOTS ARE DEFINED

SELECT
USE ALL
DELETE
CANCEL

06pc195ta

NOTE

- The DELETE key shall cause the selected propellant to be deleted from inventory no matter where on the inventory line the selection box is positioned.
- If the operator presses the DELETE key or attempts to modify the lot for a propellant that is currently being used for a fire mission, the PDFCS shall display the operator warning "UNALLOWED - BEING USED BY FM" "ACK".

- (j) To add a new entry, box in the first blank line on UPDATE PROP INVENTORY menu. Press SELECT key to display SELECT PROP TYPE menu. Box in propellant type and press SELECT key.

NOTE

The data displayed on the third line of this display is that given in the selected inventory entry (either a blank line or an existing entry) and is updated as entries are made.

INITIALLY BOX THE PROP TYPE FROM THE SELECTED INVENTORY ENTRY OR BOX THE FIRST ITEM IF A BLANK LINE WAS SELECTED

UPDATE PROP INVENTORY				SELECT PROP TYPE	
TYPE	LOT	ONH	+/-	CC	
-----	-----	----	---	US	
[M3A1]	M4A1	M4A2	M119A1		
	M119A2	M203	M203A1	M231	
	M232	M232A1			

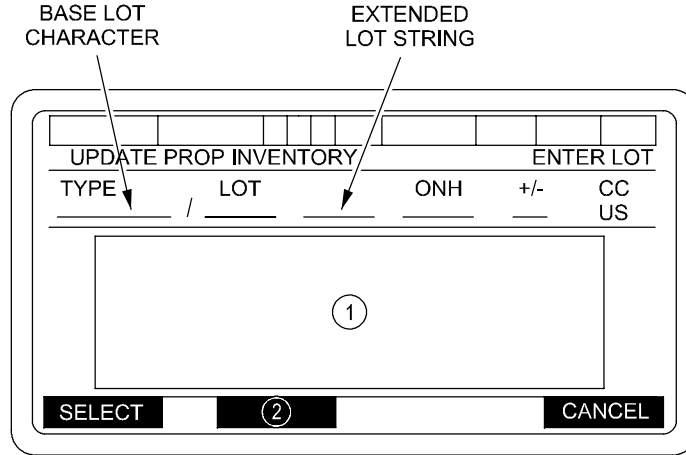
SELECT
CANCEL

06pc196tc

O-6 PDFCS INITIALIZATION - CONTINUED

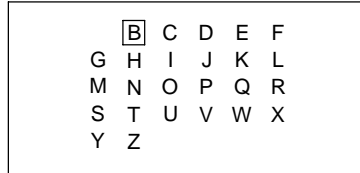
O-6.2 Initializing - Continued

- (k) When the SELECT key on the SELECT PROP TYPE screen is pressed the UPDATE PROP INVENTORY - ENTER LOT menu will be displayed.



06pc197ta

- ① On initial entry to this display, the cursor box is on the base lot from the selected inventory entry (if a blank line was not selected). Otherwise, box the first available unused base lot letter. The base lot location in the upper display is highlighted in reverse video. All base lots currently in the propellant inventory are deleted from the selection area (except for the selected inventory entry base lot if not on a blank inventory line).



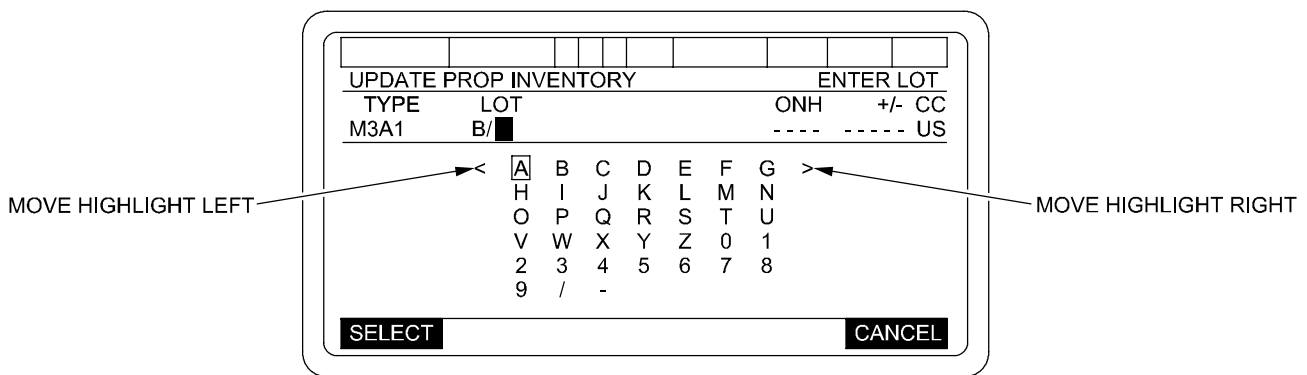
06pc127m

O-6 PDFCS INITIALIZATION - CONTINUED

O-6.2 Initializing - Continued

After the base lot is selected, the extended lot editing function is entered. All alphabetic characters as well as numeric, virgule, hyphen, and highlight movement characters are made available for operator selection. The operator will be allowed to enter blanks while editing the extended lot string, but they will be removed when the operator selects USE ALL. The reverse video highlight is initially moved to the first character position (left most character) in the extended lot string. Highlight movement will wrap at the ends of the extended lot string. Pressing the CANCEL key will erase the character under the reverse video highlight. If CANCEL key is pressed while the USE ALL selection is not present, PDFCS will clear the propellant type/model selected and display a blank UPDATE PROP INVENTORY - ENTER LOT screen.

- ② Blank - until extended lot string editing begins.
USE ALL - while editing the extended lot string.



When USE ALL key is pressed the following checks occur:

- The extended string is compared with other extended lot codes in inventory. If a duplicate extended lot string is found, a short error message will be displayed.

DUPLICATE EXTENDED LOT FOUND ACK

When ACK is pressed, the extended lot editing function will be resumed and the highlight will be at the last character position prior to pressing USE ALL. Before pressing USE ALL, enter a different extended lot.

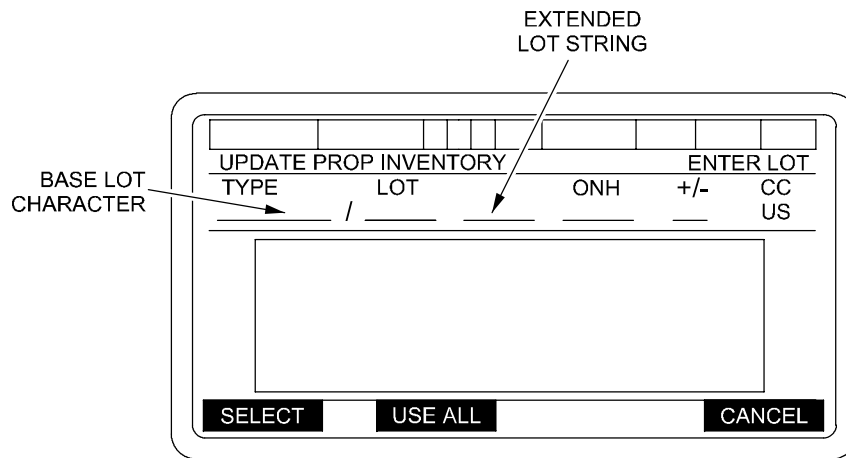
- The extended lot string is compared with other extended codes in the MVV Lot Database. If a duplicate extended lot string is found and there is a propellant model mismatch, the error message shall be generated.

MVV EXTENDED LOT CONFLICT ACK

When ACK is pressed, the extended lot editing function shall be resumed and the highlight shall be at the last character position prior to pressing USE ALL.

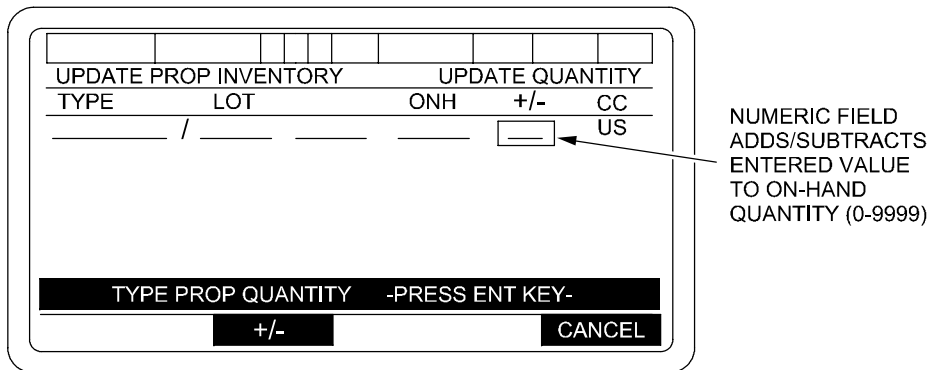
O-6 PDFCS INITIALIZATION - CONTINUED

O-6.2 Initializing - Continued



06pc198ta

- (l) When the USE ALL key is pressed, the UPDATE PROP INVENTORY-UPDATE QUANTITY menu is displayed. Box in either +/- column and press SELECT key. Type in new quantity and press ENTER key. New quantity will be displayed.



06pc199ta

NOTE

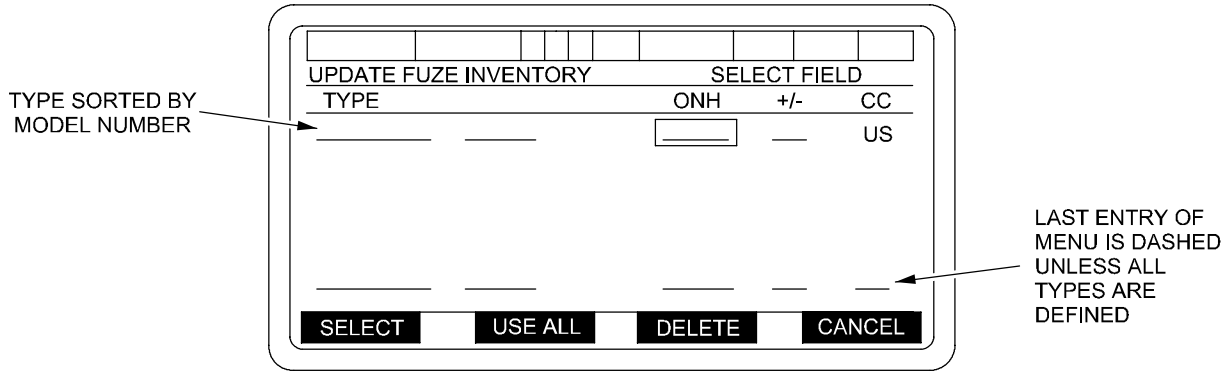
- The +/- softkey will appear when the +/- column is selected. If you select the ONH column, the +/- softkey will not appear.
- Minus values must not exceed the amount on-hand. Plus values must not cause the on-hand total to exceed 9999. Either of these conditions shall cause the error message: "VALUE TOO SMALL" "ACK" or "VALUE TOO BIG" "ACK".

- (m) When propellant types have been updated or edited, press USE ALL key. This will cause the INVENTORY MANAGEMENT menu to be displayed.

O-6 PDFCS INITIALIZATION - CONTINUED

O-6.2 Initializing - Continued

- (n) Box in UPDATE FUZE INVENTORY on INVENTORY MANAGEMENT menu. Press SELECT key to display UPDATE FUZE INVENTORY - SELECT FIELD menu. To add a new entry, move box to the first blank line. Press SELECT key. A SELECT FUZE TYPE menu will be displayed.



06pc200ta

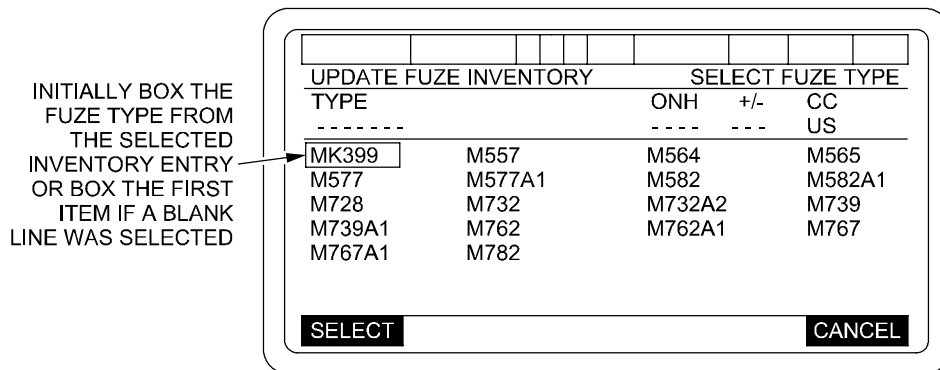
NOTE

- The DELETE key will cause the selected fuze to be deleted from inventory no matter where on the inventory line the selection box is positioned.
- If the operator presses the DELETE softkey or attempts to modify the fuze model that is currently being used for a fire mission, the PDFCS shall display the operator warning "UNALLOWED - BEING USED BY FM" "ACK".

- (o) Box in FUZE TYPE and press SELECT key.

NOTE

The data displayed on the third line of this display is that given in the selected inventory entry (either a blank line or an existing entry) and is updated as entries are made.



06pc326ta

- (p) Box in COUNTRY OF ORIGIN code and press SELECT key. Display will transition to UPDATE FUZE INVENTORY-SELECT FUZE TYPE for the selected country. Pressing the CANCEL key will return display to the UPDATE FUZE INVENTORY-SELECT FIELD screen.

O-6 PDFCS INITIALIZATION - CONTINUED

O-6.2 Initializing - Continued

NOTE

- The +/- softkey will appear when the +/- column is selected. If you select the ONH column, the +/- softkey will not appear.
 - Minus values must not exceed the amount on hand. Plus values must not cause the on-hand total to exceed 9999. Either of these conditions shall cause the error message: "VALUE TO SMALL" "ACK" or "VALUE TO BIG" "ACK".
- (q) Move to proper column (ONH, or +/-). Press SELECT key.

TYPE SORTED BY MODEL NUMBER

LAST ENTRY OF MENU IS DASHED UNLESS ALL TYPES ARE DEFINED

06pc200ta

- (r) Type in quantity and press ENT key.

NUMERIC FIELD ENTERS NEW ON-HAND QUANTITY (1-9999)

06pc202ta

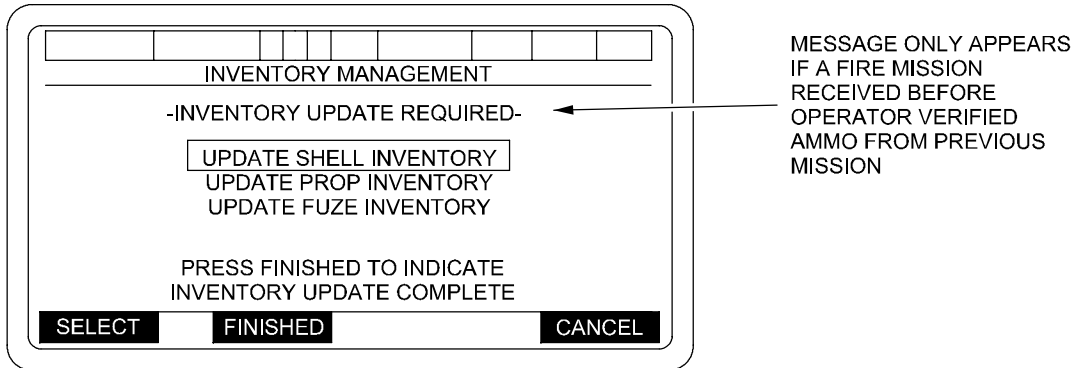
NUMERIC FIELD ADDS/SUBTRACTS ENTERED VALUE TO ON-HAND QUANTITY (0-9999)

06pc199ta

O-6 PDFCS INITIALIZATION - CONTINUED

O-6.2 Initializing - Continued

- (s) When fuzes have been updated, press USE ALL key to return to INVENTORY MANAGEMENT menu.



06pc2031a

NOTE

- If a fire mission is activated while in any of the ammunition inventory sub-menus, all valid complete entries with consistent projectile/propellant, country code matches shall be saved.
- If the **CANCEL** softkey is selected all edits will be ignored.
- When the **FINISHED** softkey is pressed the ammunition inventory shall be reviewed to insure each group of projectiles has at least one propellant and each group of propellants has at least one projectile. If a projectile group is found without a propellant or a propellant without a projectile, the PDFCS will display PROJECTILE/PROPELLANT MISMATCH menu. Pressing the CONTINUE softkey on this menu will return operator to the INVENTORY MANAGEMENT menu, at which time the operator has to update SHELL/PROP inventory.

- (t) When all ammunition data has been entered or updated, press FINISHED key to display the SETUP AND INFORMATION menu.

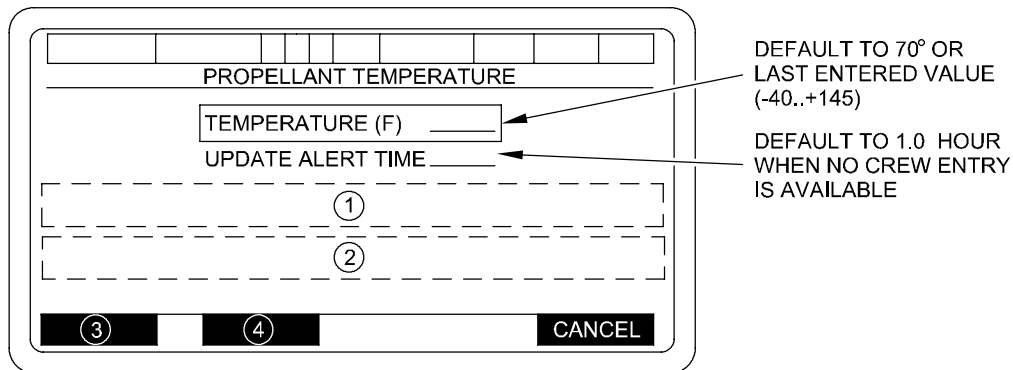
O-6 PDFCS INITIALIZATION - CONTINUED

O-6.2 Initializing - Continued

- (6) PROPELLANT TEMPERATURE - Must be entered in order to complete initialization. After ammunition has been received, a propellant temperature should be obtained by the crew using a calibrated propellant temperature gage. Propellant temperatures are entered as follows:

NOTE

- Accurate propellant temperatures must be entered in order for PDFCS to accurately compute muzzle velocity variances.
 - Numerical value must be entered before sign. Default sign is (+).
- (a) Box in PROP TEMP from SETUP AND INFORMATION menu. Press SELECT key. A PROPELLANT TEMPERATURE menu will be displayed. Type in correct temperature and press ENT key.



06pc204ta

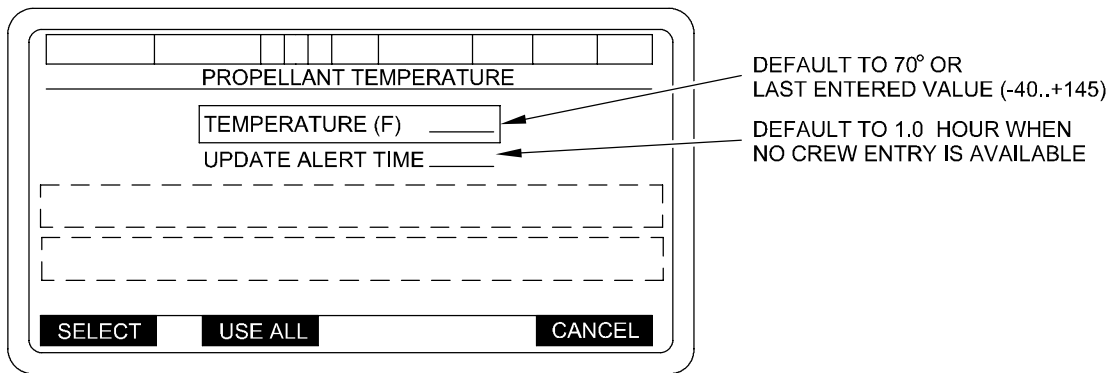
- ① TIME TO GO XX:XX (HOURS:MINUTES) OR TIME EXCEEDED
- ② WHEN TEMPERATURE SELECTED
TYPE TEMPERATURE IN FAHRENHEIT DEGREES: -40 TO +145
- PRESS ENT KEY -
WHEN UPDATE ALERT TIME SELECTED
TYPE UPDATE TIME IN 0.5 HOUR INCREMENTS: 0.5 TO 2.0
- PRESS ENT KEY -
- ③ BLANK - When TEMPERATURE or UPDATE ALERT TIME selected
SELECT - When item is not selected
- ④ USE ALL - When no item is selected
+/- - When temperature is selected
BLANK - When UPDATE ALERT TIME is selected

- (b) If a temperature outside allowable range is input, operator alert "VALUE TOO BIG" or "VALUE TOO SMALL" will appear when ENT key is pressed. The ACK key must be pressed to return to the PROPELLANT TEMPERATURE menu to enter correct temperature.

O-6 PDFCS INITIALIZATION - CONTINUED

O-6.2 Initializing - Continued

- (c) A propellant temperature is input during initialization by selecting PROP TEMP from the SETUP AND INFORMATION menu to display the PROPELLANT TEMPERATURE menu. The operator is allowed to enter the propellant temperature. If no temperature is entered the PDFCS will use the default value of 70 degrees F. To enter the propellant temperature, place cursor to TEMPERATURE (F), press the SELECT softkey. An operator prompt "TYPE TEMPERATURE IN FAHRENHEIT DEGREES -40 TO +145 --PRESS ENTER KEY" will appear. Type in propellant temperature and press ENT key. In addition, the PDFCS incorporates a timed audible and visual alert to the operator to warn that a propellant temperature update is required. The time interval to use for the audible and visual alerts are selectable on the PROP TEMP menu, from 30 minutes (0.5 hours) to 120 minutes (2.0 hours) in 30 minute increments. The alert time is defaulted to 1.0 hour when no time is entered by the operator. To set alert time, place cursor on UPDATE ALERT TIME, and press SELECT softkey. An operator prompt, "TYPE UPDATE TIME IN 0.5 HOUR INCREMENTS 0.5 TO 2.0, PRESS ENTER KEY" will appear. When the operator has successfully entered the propellant temperature and alert time return to SETUP AND INFORMATION menu by pressing USE ALL softkey. When correct propellant temperature and alert time have been entered, pressing USE ALL will display the SETUP AND INFORMATION menu.



06pc134mc

NOTE

- "Changed" means the item was "Selected" and "Entered".
 - "TEMPERATURE (F) update" updates the Powder Temperature and an internal DTG identifying when the TEMPERATURE (F) was last updated.
 - "TIME TO GO" calculation = TEMPERATURE (F) update DTG – Current DTG. If the TIME TO GO is less than zero seconds, TIME TO GO equals TIME EXCEEDED.
- (d) If only the UPDATE ALERT TIME is changed and the USE ALL key is pressed, the TEMPERATURE (F) will not be updated unless it had not been initialized during this particular power-up in which case it will be updated, UPDATE ALERT TIME will be updated, TIME TO GO will be recalculated and PDFCS will return to the SETUP AND INFORMATION display.
 - (e) If only TEMPERATURE (F) is changed and USE ALL is pressed, TEMPERATURE (F) will be updated but UPDATE ALERT TIME will not. TIME TO GO will be recalculated and PDFCS will return to the SETUP AND INFORMATION display.
 - (f) If neither UPDATE ALERT TIME or TEMPERATURE (F) is changed and USE ALL is pressed, TEMPERATURE (F) will be updated, UPDATE ALERT TIME will not be updated and TIME TO GO will be recalculated and PDFCS will return to the SETUP AND INFORMATION display.

O-6 PDFCS INITIALIZATION - CONTINUED

O-6.2 Initializing - Continued

- (g) If both UPDATE ALERT TIME and TEMPERATURE (F) are changed and USE ALL is pressed, both fields will be updated and TIME TO GO will be recalculated and PDFCS will return to the SETUP AND INFORMATION display.

NOTE

Do not enter a time value smaller than 0.5 or larger than 10.0 minutes. Either of these conditions will cause the error message "VALUE TOO SMALL" "ACK" or "VALUE TOO BIG" "ACK".

- (7) TOT RESPONSE TIME - This is used to set crew time response for a specific fire mission. The data tells the PDFCS how much advance warning a crew needs before a Time on Target (TOT) mission is to be fired. This data is entered as follows:
- (a) Box in TOT RESPONSE from SETUP AND INFORMATION menu. Press SELECT key to display a TIME ON TARGET CREW RESPONSE TIME menu.
- (b) Enter data for response time and press the ENT key. This will return the display to the SETUP AND INFORMATION menu.

TIME ON TARGET CREW RESPONSE TIME

TOT RESPONSE TIME 10.0

TYPE TIME BETWEEN
.5 AND 10.0 MINUTES
-PRESS ENT KEY-

CANCEL

06pc136ma

O-6 PDFCS INITIALIZATION - CONTINUED

O-6.2 Initializing - Continued

- (8) **LOAD ELEVATION** - This data is entered in the PDFCS to specify an elevation that the gun tube will automatically return to after firing when the **LOAD** key is pressed on the PDU panel. Enter **LOAD ELEVATION** as follows:
- (a) Box in **LOAD ELEVATION** from the **SETUP AND INFORMATION** menu. Press **SELECT** key to display a **TUBE LOAD ELEVATION** menu.



Do not enter an elevation greater than 300 mils. Settings above 300 mils may result in breech failing to close and could cause unnecessary wear on spring pack.

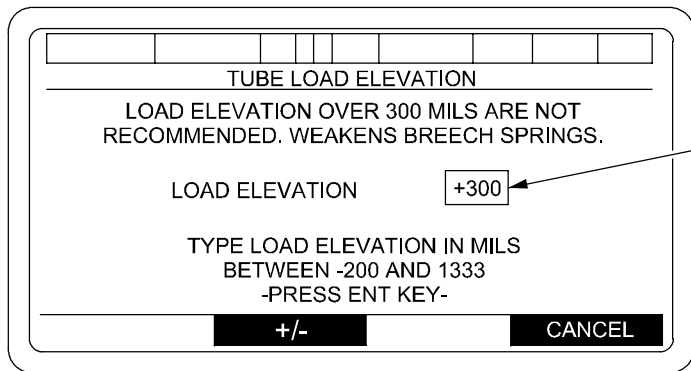
NOTE

Numerical value must be entered before sign. Default sign is (+).

- (b) Type in desired elevation data and press **ENT** key. The **SETUP AND INFORMATION** menu will be displayed.

NOTE

- If a value larger than 1333 is entered, Paladin will display the operator alert "VALUE TOO BIG" "ACK".
- If a value smaller than -200 is entered, Paladin will display the operator alert "VALUE TOO SMALL" "ACK".



NUMERIC FIELD LOAD ELEVATION -200..1333 MILS DEFAULT TO CURRENT LOAD ELEVATION

06pc135ma

O-6 PDFCS INITIALIZATION - CONTINUED

O-6.2 Initializing - Continued

(9) SECTOR OF FIRE - Used to define the howitzer's sector of fire. Data is entered as follows:

- (a) Box in SECTOR OF FIRE from SETUP AND INFORMATION menu. Press SELECT key to display DEFINE SECTOR OF FIRE menu.
- (b) Box in LEFT LIMIT OF SECTOR. Press SELECT key. Enter data. Press ENT key. Move box to AOF. Press SELECT key. Enter data. Press ENT key. Move box to RIGHT LIMIT OF SECTOR. Press SELECT key. Enter data. Press ENT key.

LEFT, AZIMUTH OF FIRE, RIGHT SECTOR OF FIRE 0..6399 MILS
DEFAULT TO CURRENT
DEFAULT SOF

06pc205td

IF LEFT = RIGHT

ERROR - LEFT AND RIGHT EQUAL **ACK**

If AZIMUTH OF FIRE is not to
RIGHT OF LEFT LIMIT and LEFT
OF RIGHT LIMIT.

AZIMUTH OF FIRE NOT IN SECTOR **ACK**

① BLANK: No selection made

Selection made:

"TYPE AZIMUTH BETWEEN 0 AND 6399 MILS"

"PRESS ENT KEY"

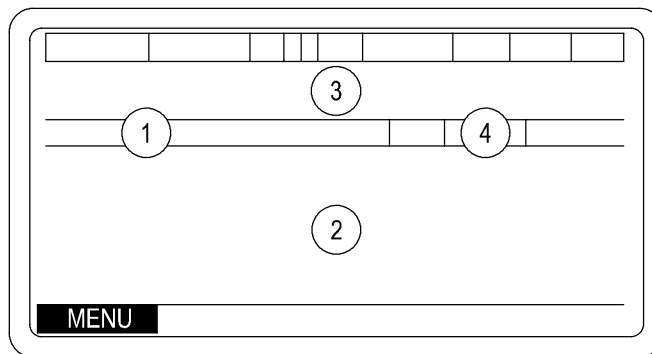
NOTE

- Operator entered Sector of Fire data will be used by the PDFCS during Move Orders to help orient the vehicle during emplacement at a Firing Point/Firing Area.
- During Emplacement after a Move Order, this AOF will be "Base Azimuth" for 3200 Deflection.
- SECTOR OF FIRE entered by the operator will be used to calculate ballistic if FDC has not sent SECTOR OF FIRE for prescribed location (FIRING AREA/POINT).

O-6 PDFCS INITIALIZATION - CONTINUED

O-6.2 Initializing - Continued

- (c) When all correct data has been entered, press USE ALL key to enter data. The following message will be displayed: "ARE YOU SURE" "YES" "NO". If YES is selected the sector of fire will be updated and the display will return to SETUP AND INFORMATION menu. If NO is selected the message will be removed for re-entry of data. Operator entered Sector of Fire data will update the Site Data display.
- (d) When all initialization data (Asterisk items from SETUP AND INFORMATION menu) has been entered, and the navigation subsystem alert "OK TO MOVE OR SHOOT" "ACK" has been displayed and the ACK key pressed, then press CANCEL key on SETUP AND INFORMATION menu to bring up a SECTION IN ORDER AT INITIALIZATION POINT display.



06pc138ma

- ① "FPF/PRI EXISTS" FPF/PRI target exists in stored target table
"NO FPF/PRI EXISTS" - FPF/PRI target does not exist in stored target table
- ② "SECTION IN ORDER AT LOGISTICS POINT" - Arrival location is logistics point
"SECTION IN ORDER AT INITIALIZATION POINT" - Arrival location is initialization point
- ③ **DO NOT MOVE** - No FPF/PRI exists
DO NOT MOVE / DO NOT LOAD - FPF/PRI target exists
- ④ Tube temperature status

O-6 PDFCS INITIALIZATION - CONTINUED

O-6.3 Initialization After an Orderly Shutdown.

NOTE

PMVS must be installed and connected prior to turning the vehicle MASTER power switch ON.

During PDFCS operation, it may become necessary to power down and then back up; (example, a system lockup occurs).

NOTE

After PDFCS has been powered down, the PDFCS will power up and be operational in approximately 3-4 minutes.

Power down in this form causes an orderly shutdown, and some of the PDFCS data is saved. An orderly shutdown also occurs when the power is turned off after normal operations. Some of the data saved on orderly shutdown is Network Setup, Ammo Inventory, Navigation Data (location where system was powered down), TOT Response, Load Elevation, and the last operator-entered Sector of Fire. When the system is turned back on from an orderly shutdown, step-by-step initialization is not necessary, although action on all asterisk marked items on the SETUP AND INFORMATION menu must be accomplished. The process for initialization after an orderly shutdown is as follows:

- a. System Power Up. Set MASTER switch and Power Conditioner Unit-2 circuit breakers to ON.

With the DAGR mounted and all external cables attached, press the PWR/QUIT key on the DAGR key pad. The DAGR should power up automatically and perform its self-test (BIT). Operate the DAGR in accordance with the DAGR TM 11-5820-1172-13.

If the DAGR does not have a current key (i.e. the DAGR was previously zeroized, newly installed or the key has expired), then load a valid key in accordance with the DAGR TM 11-5820-1172-13.

NOTE

To load a key, the DRUH must be off, or the P4 DRUH-DAGR signal connector must be disconnected to cause a GPS COM FAIL. Re-attachment of P4 DRUH-DAGR signal connector after DAGR keying will automatically cause DRUH-DAGR communications to resume if DRUH is on.

If the DAGR antenna has a clear view of the sky, turn DAGR on. If the antenna's view of the sky is blocked (e.g. the vehicle is in a building, under tree cover or parked next to a large structure), move vehicle until the DAGR is clear.

If the vehicle cannot be moved, place DAGR in Standby mode until the vehicle can be moved to a location with a clear view of the sky.

O-6 PDFCS INITIALIZATION - CONTINUED

O-6.3 Initialization After an Orderly Shutdown - Continued

NOTE

- If the DAGR is off, the Navigation Subsystem will still accept initialization data from the PDFCS for inertial operation and the Navigation System will operate as before.
- Guidelines for conditions and times for the DAGR to obtain position data acceptable by the PDFCS.

If the antenna has a clear view of the sky and DAGR has a valid position, current GPS time, current GUV key, and has stored a current satellite almanac, DAGR will be acceptable for use in about three minutes following the first turn-on of the day. It will take about 90 seconds for subsequent turn-ons. These are the normal operating conditions.

NOTE

PMVS must be installed and connected prior to turning the vehicle MASTER power switch on.

Make sure TRAINING switch on PDU is OFF. Set POWER switch on PDU to ON. When power is first applied to the PDFCS, the display will be blank and the PDFCS will automatically perform its internal self-test (BIT). Next a screen will be displayed with this message "INITIALIZATION IN PROGRESS".

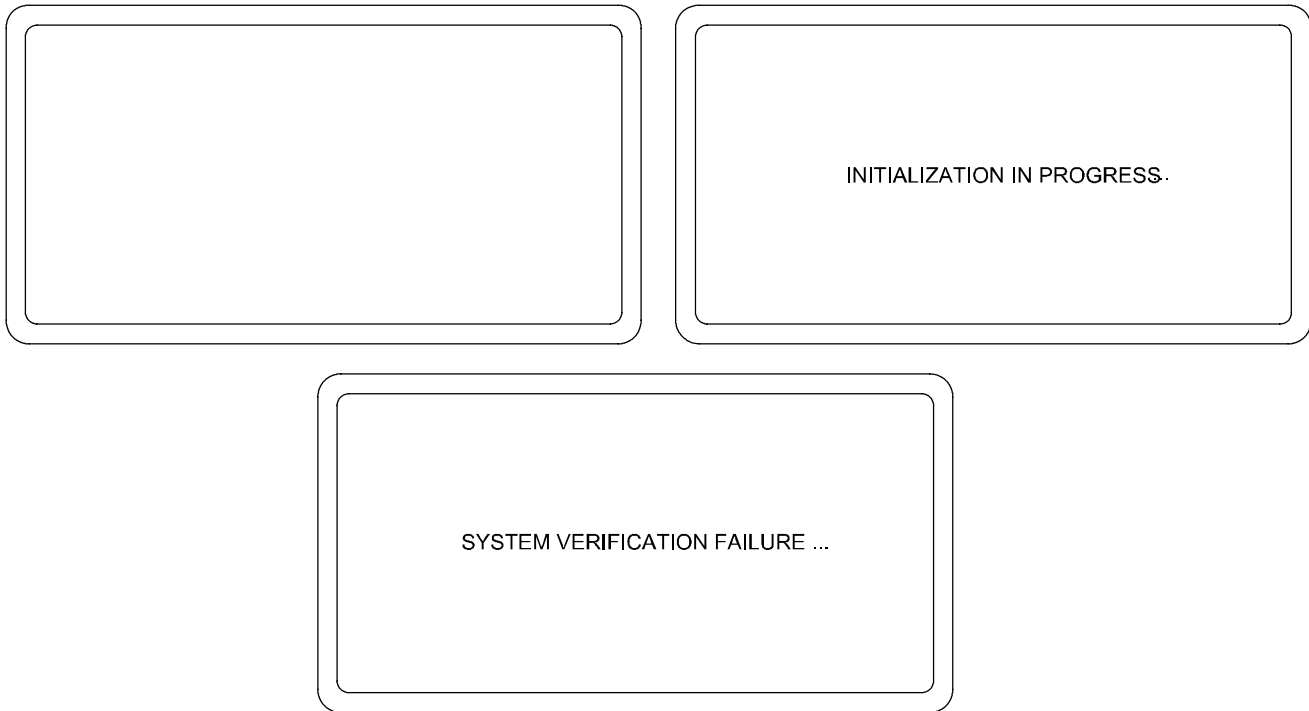
NOTE

- The time lapse between first two screens can range from 3 to 5 minutes.
- If screen stays blank for more than 7 minutes, power down system.

A "SYSTEM VERIFICATION FAILURE" message will be displayed only if a failure is detected.

O-6 PDFCS INITIALIZATION - CONTINUED

O-6.3 Initialization After an Orderly Shutdown - Continued



06pc272t

After the PDFCS powers up, the DAGR screen should read:

REMOTE CONTROL LOCKOUT
EMERGENCY ZEROIZE ALLOWED
MARK FASTFIX BASIC

At this point the DAGR key pad will become inactive. The only DAGR operation allowed using the key pad is EMERGENCY ZEROIZE.

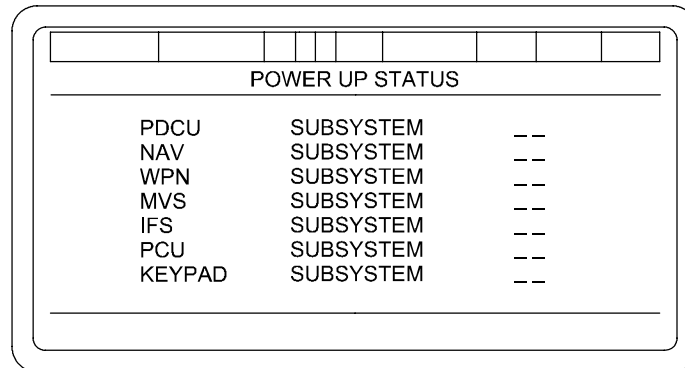
If this message is not displayed on the DAGR screen, and the Low Priority Message "GPS OUT - GPS DISCONNECTED" is not displayed on the PDU, ensure that the DRUH-DAGR signal connector (P4) plug on the W17A cable is connected and secure. Once this DAGR screen is displayed, proceed with system initialization.

NOTE

- NAV SUBSYSTEM includes: VMS, DRUH, VMS modems
 - PCU-2 SUBSYSTEM includes: PCU-2 and both back-up batteries
 - The switches on the PCU-2 are circuit breakers. They should be left ON at all times, so they will not wear out from being turned off and on constantly.
- (1) This screen displays the subsystems that are checked by BIT. As the subsystems are checked, the dashed lines will change to a subsystem status (OK, DEGRADED, OUT, - -). The - - appears on the MVS status line when the PDFCS could not be connected to the MVS. This screen also identifies the system software version.

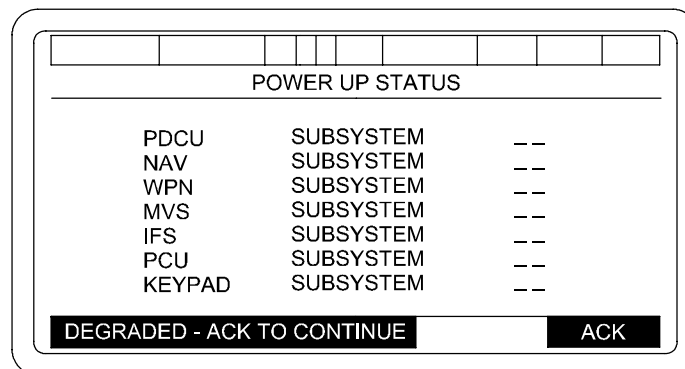
O-6 PDFCS INITIALIZATION - CONTINUED

O-6.3 Initialization After an Orderly Shutdown - Continued



06pc071mj

In the event of a failure during POWER UP STATUS, the message, "DEGRADED-ACK TO CONTINUE", will be displayed on the bottom line of the display. To continue, depress softkey under ACK. After the self-test is complete, SELECT OPERATIONAL MODE menu is displayed.



06pc074md

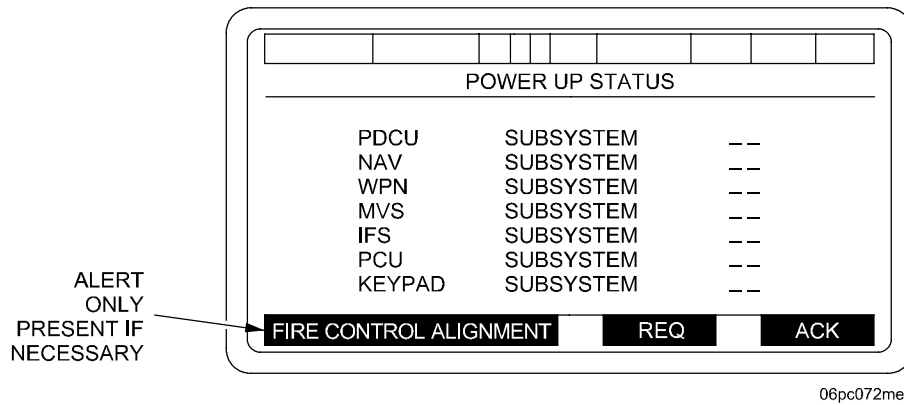
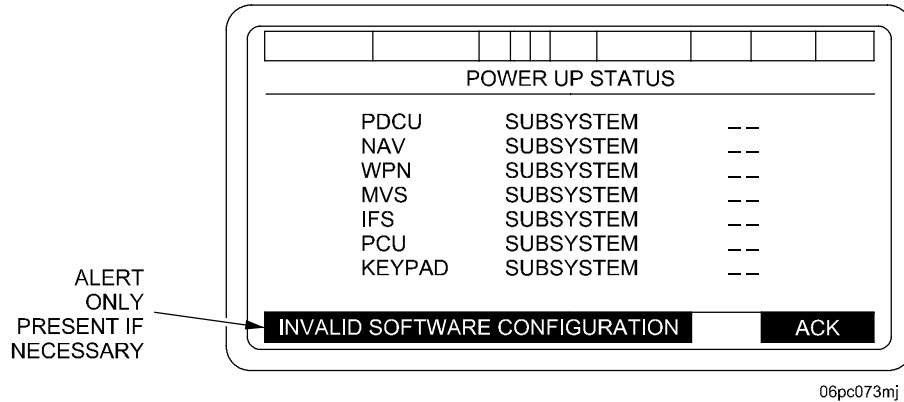
NOTE

If PCU-2 contains an incorrect configuration, the PDFCS will not allow the operator to select normal operations until a correct PDU software configuration is downloaded.

O-6 PDFCS INITIALIZATION - CONTINUED

O-6.3 Initialization After an Orderly Shutdown - Continued

When configuration verification checking indicates that an invalid howitzer software configuration is present, a short error message "INVALID SOFTWARE CONFIGURATION" "ACK" will appear on the softkey label line of the PDU.



When the message is acknowledged, the PDFCS will proceed to the SELECT OPERATIONAL MODE menu. To view detailed software configuration information for each LRU, MAINTENANCE should be selected, IAW procedure in para O-9.1.

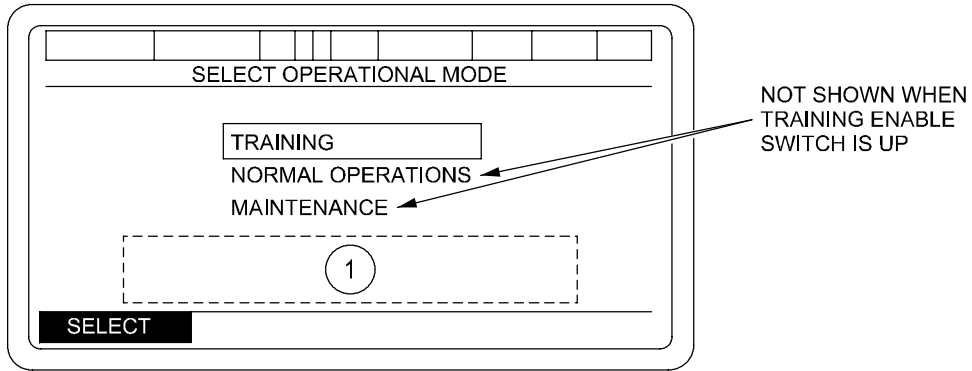
(2) Operational Mode Selection Menu.

This menu allows selection of the primary operating mode for the PDFCS.

The selection structure shows the prompting for Embedded Training selection. Note that the TRAINING selection and the associated prompting will not be available if the Embedded Training Controller fails power-up BIT.

O-6 PDFCS INITIALIZATION - CONTINUED

O-6.3 Initialization After an Orderly Shutdown - Continued



06pc139mb

- ① - WHEN TRAINING SWITCH IS UP:
POSITION TRAINING ENABLE SWITCH DOWN
TO SELECT OTHER MODES
- WHEN TRAINING SWITCH IS DOWN:
POSITION TRAINING ENABLE SWITCH UP
TO SELECT TRAINING MODE

b. Initialization.

NOTE

After an orderly shutdown, follow the procedures below. However, if a catastrophic failure happens within the system, go to para O-6.4.

Select **NORMAL OPERATIONS** on the **SELECT OPERATIONAL MODE** menu and press **SELECT** softkey. A **NETWORK** menu will be displayed.

- (1) **NETWORK** - Check data on the **NETWORK** menu for correctness against current data from POC/FDC and press **FINISHED**.

Using the **NET ACCESS** menu, check that data in the displayed menu shows same data that the unit SOP specifies.

NOTE

To ensure efficient set up of the digital net, it is very important that **NETWORK** data be assigned and controlled by POC/FDC. Verify data per local SOP.

- (a) Only one network configuration will be active at any one time. The active configuration is identified by the label ****ACTIVE**** in the **STATUS** column.
- (b) Inactive configurations do not have anything displayed in the **STATUS** column.
- (c) **TACFIRE** configurations will not display anything in the **COMSEC** and **MODE** columns of the **NETWORK** screen.

O-6 PDFCS INITIALIZATION - CONTINUED

O-6.3 Initialization After an Orderly Shutdown - Continued

- (d) 188-220 communications configurations identify the Device, Baud, COMSEC and MODE. 188-220 configurations with any customized values identify the Device as "CUSTOM/R" for Radio and "CUSTOM/W" for Two-Wire.
- (e) The PDFCS will not reorder network configurations as a result of deletions.
- (f) The FINISHED and VIEW softkeys are not visible unless at least one configuration is defined.
- (g) softkey sequencing shall be as follows:

SELECT softkey - If the highlighted configuration was previously defined, control transitions to NETWORK SETTINGS-SELECT CONFIGURATION OPTION display. If the highlighted configuration has not been defined, control transitions to NETWORK SETTINGS-STANDARD COMMUNICATION CONFIGURATION display (see para O-6.2c).

FINISHED softkey - When the operator presses the "FINISHED" softkey the PDFCS stores all defined network configurations and control transitions to Normal Operational Initialization display.

VIEW softkey - When the VIEW softkey is pressed and the currently selected network configuration has been defined, control transitions to the NETWORK SETTINGS display (see para O-6.2e). When the VIEW softkey is pressed and the currently selected network configuration has not been defined, control does not transition.

- (h) PDFCS supports 11 predefined communications configurations (see Table O-13).

NETWORK					
CFG	STATUS	DEVICE	BAUD	COMSEC	MODE
3		SINGGARS	4800N	CT	FH
6		SINGGARS	1200N	CT	FH
6	*ACTIVE*	CUSTOM/R	1200N	CT	FH
10		CUSTOM/W	32000	PT	SC
0		TACFIRE	1200		
8		CUSTOM	9600N	CT	FH

SELECT
FINISHED
VIEW

06pc322t

O-6 PDFCS INITIALIZATION - CONTINUED

O-6.3 Initialization After an Orderly Shutdown - Continued

- (2) SET DATE/TIME - Select SET DATE/TIME on SETUP AND INFORMATION menu and press SELECT to display a SET DATE/TIME GROUP menu.

06pc327ta

NOTE

Use according to unit SOP.

If GPS data is available select USE GPS.

PRESENT ONLY IF GPS IS AVAILABLE

CURSOR DEFAULT POSITION

06pc177ta

If GPS is not available or if POC has instructed you not to use GPS time, type in new DTG.

SELECT TIME ZONE - Enter SELECT TIME ZONE in accordance with unit SOP.

06pc178ta

O-6 PDFCS INITIALIZATION - CONTINUED

O-6.3 Initialization After an Orderly Shutdown - Continued

SELECT DAYLIGHT SAVINGS - Enter DAYLIGHT SAVINGS TIME in accordance with unit SOP.

06pc179ta

Contact the POC by voice radio to obtain the correct date/time data and a MARK. Type in date/time data (year, month, day, hour, minute) as given by the POC. If the data is entered incorrectly a message will be displayed stating "Invalid DTG Value", and you will have to re-enter the data. When this is done, another SET DATE/TIME GROUP menu will be displayed.

06pc180tb

When the FDC operator gives a countdown and announces MARK, press MARK. The PDFCS and FDC time should now be synchronized. A SETUP AND INFORMATION menu is then displayed on the DU.

06pc327t

O-6 PDFCS INITIALIZATION - CONTINUED

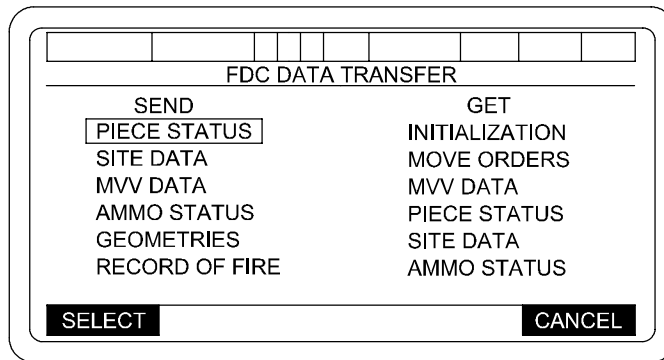
O-6.3 Initialization After an Orderly Shutdown - Continued

NOTE

The FDC DATA TRANSFER must be done each time you initialize the PDFCS, if the POC/FDC is operational.

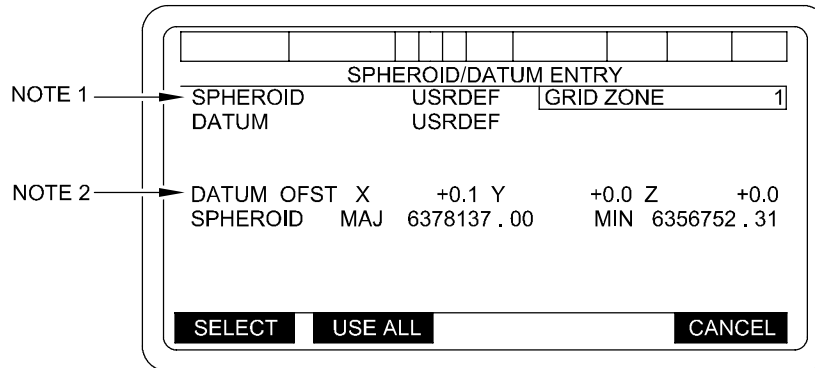
- (3) FDC DATA TRANSFER - To obtain current initialization data (current MET, registration data, etc.), select FDC DATA XFER on SETUP AND INFORMATION menu. Press SELECT softkey to display a FDC DATA TRANSFER menu.

The INITIALIZATION menu item will be automatically boxed and the operator will be prompted to press “YES” or “NO”. Pressing “YES” will cause a message to be sent to FDC requesting initialization data. If you know that FDC is not operational, pressing “NO” will clear the * from FDC DATA XFER on the SETUP AND INFORMATION menu.



06pc328t

- (4) ENTER SPHEROID/DATUM - The FDC DATA XFER, INITIALIZATION data includes a SPHEROID/DATUM, but does not transfer the necessary map DATUM. To input the correct DATUM, box in the “ENTER SPHEROID/DATUM” and press the SELECT key. This brings up the SPHEROID/DATUM entry menu.



06pc249tc

Check to see if all the data is correct. If it is correct, press the USE ALL key, and proceed with the initialization. If an entry is not correct, select that field and make corrections.

- NOTE 1 Selection of this field will display select spheroid menu.
- NOTE 2 Field is only present if user defined (USRDEF) datum is used.

O-6 PDFCS INITIALIZATION - CONTINUED

O-6.3 Initialization After an Orderly Shutdown - Continued

When grid zone is selected the following will be displayed:

SPHEROID/DATUM ENTRY			
SPHEROID	WE	GRID ZONE	1
DATUM	WE		

TYPE GRID ZONE
1 TO 60
- PRESS ENT KEY -

CANCEL

06pc250ta

When DATUM is selected, SELECT DATUM menu is displayed:

SELECT DATUM	
BUR	BUKIT RIMPAH
BAT	DJAKARTA BATAV
GSE	GUNUNG SEGARA
MAS	MASSAWA
TOY-M	TOKYO (MEAN)
USRDEF	USER DEFINED

SELECT

CANCEL

06pc253ta

Box in the correct DATUM and press the SELECT key. The DATUMs available are dependent on the SPHEROID selected. See PDFCS/FDC SPHEROID AND DATUM table in appendix J.1 for SPHEROID/DATUM combinations.

O-6 PDFCS INITIALIZATION - CONTINUED**O-6.3 Initialization After an Orderly Shutdown - Continued****NOTE**

The reference frame for UTM position coordinates is a DATUM. Typically, a Local DATUM is defined by an ellipsoidal earth model (SPHEROID) and a starting point (origin) for the coordinate system. Coordinates on a map or in a Trig list (SCPs) often are on a Local DATUM. An example of a Local DATUM is the North American 1927 (NAD 27) DATUM used in the United States. There have been many different Local DATUMs developed. GPS computes position on the World Geodetic System 1984 (WGS 84), a worldwide coordinate system. To use GPS with coordinates on a Local DATUM, the coordinates must be mathematically shifted. The PDFCS (DRUH and DAGR) can automatically perform DATUM shifting, but first the operator must select the Local DATUM to be used, or provide the appropriate shift parameters. For PDFCS operation, Local DATUMs are represented by two sets of parameters: The Local Ellipsoid (SPHEROID) and shift parameters as defined for each Local DATUM (DATUM IDs). The FDC can provide the SPHEROID. But the FDC cannot provide the Local DATUM. Therefore the operator must enter it. The SPHEROID selected will determine which DATUM IDs will be available for selection. The PDFCS/FDC SPHEROID and DATUM TABLE, appendix J.1, provides the SPHEROID number for the PDFCS and FDC, which DATUM IDs are available for that SPHEROID number and the normal coverage area. Note that there may be more than one DATUM ID associated with a Local DATUM because the shifts vary by locality. For other DATUMs or areas outside the indicated coverage area, User Defined (USDDEF) Datum shifts may be entered manually. The table is not intended as an absolute. A map sheet will identify the DATUM name, Ellipsoid (SPHEROID) name and the coordinate type, or the map sheet will identify the area. The data from a Trig list should identify the same information. These parameters must be correlated to the DATUM ID. If the applicable DATUM ID hasn't been programmed in the PDFCS, shift parameters for many other DATUMs and regions have been published in DMA TR 8350.2 and may be entered thru the DATUM X, Y and Z offsets. Note that the PDFCS cannot accept shift parameters for all Datums because its SPHEROID capability is limited to those listed in the PDFCS/FDC Spheroid and Datum table in appendix J.1.

O-6 PDFCS INITIALIZATION - CONTINUED

O-6.3 Initialization After an Orderly Shutdown - Continued

If the DATUM USR DEF is selected, then the DATUM X, Y, and Z offsets must be entered. These values must be obtained from the POC and should only be used with guidance from Battery Commander. The ENTER USER DATUM PARAMETERS page should look like:

ENTER USER DATUM PARAMETERS

DATUM OFFSET X	+0.1
DATUM OFFSET Y	+0.0
DATUM OFFSET Z	+0.0

SELECT USE ALL CANCEL

06pc254ta

When DATUM OFFSET X is selected:

Type -2000.0 TO +2000.0:
Press ENT key.

When DATUM OFFSET Y is selected:

Type -2000.0 TO +2000.0:
Press ENT key.

When DATUM OFFSET Z is selected:

Type -2000.0 TO +2000.0:
Press ENT key.

After all the correct data has been entered, press the USE ALL key to clear and return to the main menu.

- (5) NAVIGATION UPDATE - Select NAV UPDATE and press SELECT soft key to display a NAVIGATION SUBSYSTEM UPDATE menu.

NOTE

- If vehicle has not been moved since orderly shutdown, the Navigation Subsystem will initiate a Stored Heading Align, which will be completed in about 90 seconds.
- If vehicle has been moved since orderly shutdown, move vehicle to a survey point and enter survey data.

O-6 PDFCS INITIALIZATION - CONTINUED

O-6.3 Initialization After an Orderly Shutdown - Continued

Check data for correctness. If correct, press USE ALL softkey. The prompt, NAV POSITION UPDATE TO START, ARE YOU SURE (YES OR NO), will be displayed. Make proper selection. Press the YES key to RESTART the Navigation Subsystem and display the SETUP AND INFORMATION menu.

Press the NO key to redisplay NAVIGATION SUBSYSTEM UPDATE menu. Make corrections or press CANCEL to display SET UP AND INFORMATION menu.

NAVIGATION SUBSYSTEM UPDATE		
EASTING	500000	
NORTHING	100	GET CURR NAV POSN
ALTITUDE	0	
GRID ZONE	1	GET LAST ENT POSN
HEMISPHERE	NORTH	GET CURR GPS POSN
SPHEROID	2	NAV POSITION UPDT
DATUM	USRDEF	

SELECT USE ALL CANCEL

06pc144ma

- (6) AMMO INVENTORY - Select AMMO INVENTORY on the SETUP AND INFORMATION menu. Press SELECT softkey to display INVENTORY MANAGEMENT menu.

INVENTORY MANAGEMENT	
-INVENTORY UPDATE REQUIRED-	
UPDATE SHELL INVENTORY	
UPDATE PROP INVENTORY	
UPDATE FUZE INVENTORY	
PRESS FINISHED TO INDICATE INVENTORY UPDATE COMPLETE	

SELECT FINISHED CANCEL

MESSAGE ONLY APPEARS
IF FIRE MISSION
RECEIVED BEFORE
OPERATOR VERIFIED
AMMO FROM PREVIOUS
MISSION

06pc145ma

NOTE

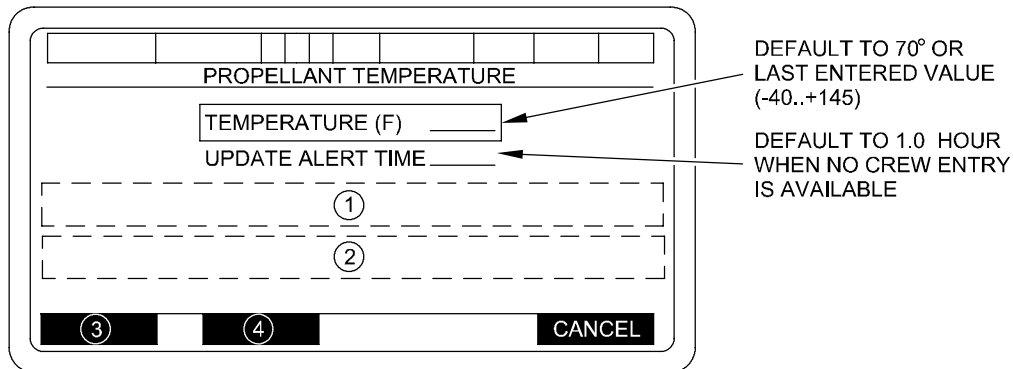
If a fire mission is activated while in any of the ammunition inventory sub-menus, all valid complete entries shall be saved.

If the ammunition inventory is current, press FINISHED softkey to display the SETUP AND INFORMATION menu. If ammunition inventory is not current, to enter ammunition data, refer to para O-6.2.

O-6 PDFCS INITIALIZATION - CONTINUED

O-6.3 Initialization After an Orderly Shutdown - Continued

- (7) PROPELLANT TEMPERATURE - Select PROP TEMP on SETUP AND INFORMATION menu. Press SELECT key to display a PROPELLANT TEMPERATURE menu.



06pc204ta

- ① TIME TO GO XX:XX (HOURS:MINUTES) OR TIME EXCEEDED
- ② WHEN TEMPERATURE (F) SELECTED
TYPE TEMPERATURE IN FAHRENHEIT DEGREES -40 TO +145
- PRESS ENT KEY -

WHEN UPDATE ALERT TIME SELECTED
TYPE UPDATE TIME IN 0.5 HOUR INCREMENTS 0.5 TO 2.0
- PRESS ENT KEY -
- ③ BLANK - WHEN TEMPERATURE (F) OR UPDATE ALERT TIME SELECTED
SELECT - WHEN ITEM IS NOT SELECTED
- ④ USE ALL - WHEN NO ITEM IS SELECTED
+/- WHEN TEMPERATURE (F) IS SELECTED
BLANK - WHEN UPDATE ALERT TIME IS SELECTED

O-6 PDFCS INITIALIZATION - CONTINUED

O-6.3 Initialization After an Orderly Shutdown - Continued

If displayed temperature and update alert time are correct, press USE ALL key. If another temperature or alert time entry is necessary, box the desired item and press SELECT key. Type in new temperature or alert time and press ENT key. When entries are correct, press USE ALL key. The SETUP AND INFORMATION menu will be displayed.

- (8) TOT RESPONSE - To access the TOT RESPONSE menu, press NEXT PAGE key to display next page of SETUP AND INFORMATION menu.

Select TOT RESPONSE and press SELECT to display a TOT RESPONSE menu.

Type in desired time to be used and press ENT key. The SETUP AND INFORMATION menu will be displayed.

06pc136ma

- (9) Select LOAD ELEVATION on the SETUP AND INFORMATION menu. Press SELECT key to display a TUBE LOAD ELEVATION menu.



Do not enter an elevation greater than 300 mils. Settings above 300 mils may result in breech failing to close and could cause unnecessary wear on spring pack.

NUMERIC FIELD LOAD ELEVATION -200..1333 MILS DEFAULT TO CURRENT LOAD ELEVATION

06pc135ma

If load elevation shown is the desired elevation, press ENT key. If a new elevation is desired, type in desired elevation and then press ENT key. The SETUP AND INFORMATION menu will be displayed.

O-6 PDFCS INITIALIZATION - CONTINUED

O-6.3 Initialization After an Orderly Shutdown - Continued

- (10) Select SECTOR OF FIRE on SETUP AND INFORMATION menu. Press SELECT softkey to display a DEFINE SECTOR OF FIRE menu.

06pc205tb

If data displayed on menu is desired sector of fire, press USE ALL softkey. If a change is needed, select area to be changed, type in change and press ENT key. Repeat for additional changes, when complete press USE ALL softkey. The following message will be displayed: "ARE YOU SURE" "YES" "NO". If YES is selected data will be updated and the display will return to SETUP and INFORMATION menu. If NO is selected the message will be removed for re-entry of data. A POS UPDATE or NAV RESTART must be performed if the changes are to be used by the PDFCS.

- (11) SECTION IN ORDER - When navigation alignment time has been completed, or message "OK TO MOVE OR SHOOT" "ACK" has been acknowledged, a CANCEL prompt will appear on the SETUP AND INFORMATION menu. Press CANCEL to display the SECTION IN ORDER AT INITIALIZATION POINT screen.

The PDFCS system is now initialized and can perform missions as directed.

06pc148ma

O-6 PDFCS INITIALIZATION - CONTINUED

O-6.4 Initialization After a Catastrophic Failure.

- a. If a catastrophic failure (e.g., sudden loss of power of PCU-2) occurs, it is possible that no data at all will be saved by the PDFCS. In this case, a step-by-step-system initialization must be done.

NOTE

- Position data must be recorded prior to pressing ARRIVED key during emplacement. If time permits the crew should also set out collimator or select a DAP and set 3200 Deflection on the PANTEL on Center of Sector (Base Azimuth).
 - To be able to react quickly to re-initialize a failed PDFCS, a Platoon SOP voice request procedure from crew to POC to send all required data messages from FDC may be helpful. Data that would be useful from FDC are: INITIALIZATION (Subscriber File, Map Mode, MET, Registration), MUZZLE VELOCITY, Current Position (to include Sector of Fire) and Propellant Temp (PIECE STATUS), SITE STATUS, and AMMO STATUS.
- b. Getting Data. To return to Section in Order as fast as possible after a catastrophic failure of the PDFCS, return the tube to travel lock before shutting PDFCS power off. Wait about 5 seconds, then turn PDFCS power on. Begin the Initialization process as normal, working off the * menu items on the SETUP AND INFORMATION menus. If FDC has current data, get as much data as you can from FDC. This data can be obtained as follows:
 - (1) Box FDC DATA XFER on the SETUP AND INFORMATION menu and press SELECT key. The INITIALIZATION item under the GET column will be boxed as usual. Press YES to transmit the request for INITIALIZATION data (Subscriber File, Map Mode, MET and Registration).
 - (2) Next, box MUZZLE VELOCITY under the GET column and press SELECT key. Press YES key to transmit the request to FDC.

NOTE

The PDFCS automatically uses the Muzzle Velocity data sent by FDC. No further action is necessary by the crew.

- (3) Repeat the last step for PIECE STATUS, SITE STATUS, and AMMO STATUS.
- (4) Once all requests have been sent, press CANCEL key to move to the next initialization step on the SETUP AND INFORMATION menu.

O-6 PDFCS INITIALIZATION - CONTINUED

O-6.4 Initialization After a Catastrophic Failure - Continued

c. Nav Update.

- (1) Use your current position data that you recorded upon emplacement.
- (2) If POC has a current location where the failure occurred, use that data for navigation initialization. To use position data obtained from FDC in the step above, box NAV UPDATE on the SETUP AND INFORMATION menu, press SELECT key and a NAV SUBSYSTEM UPDATE menu will be displayed. Box GET FDC PRPT POSN and press SELECT key. Press USE ALL key, and PDFCS will use the FDC reported position data and return to the SETUP AND INFORMATION menu.
- (3) Another howitzer with an operational DRUH and PDFCS can pull into failed howitzer's position (left hub to left hub) and provide navigation data to be entered on the keyboard.

NOTE

If no FDC-provided Move Order is expected after PDFCS initialization, then the Sectors of Fire must be changed to those provided by the FDC prior to the failure. Sector of Fire entries must be completed prior to inputting a manual Move Order.

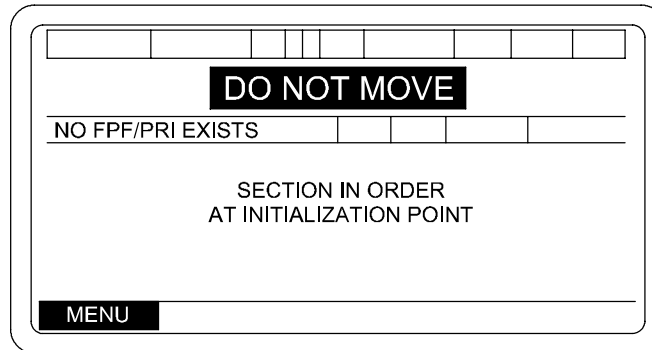
- (4) The failed howitzer can be taken to a surveyed point and navigation initialized from survey data.
- d. Ammo Inventory. To use ammunition inventory data obtained from FDC in the step above, box AMMO INVENTORY on the SETUP AND INFORMATION menu, press SELECT key and INVENTORY MANAGEMENT menu will be displayed. Box EDIT FDC PROVIDED and press SELECT key. When the FINISHED key is pressed the ammunition inventory shall be reviewed to insure each group of projectiles has at least one propellant and each group of propellants has at least one projectile. If a projectile is found without a propellant or a propellant without a projectile, PDFCS will display PROJECTILE/PROPELLANT MISMATCH menu. Pressing the CONTINUE softkey on this menu will return operator to the INVENTORY MANAGEMENT menu, at which time the operator has to update SHELL/PROP inventory. On the next INVENTORY MANAGEMENT menu, press FINISHED to accept the FDC PROVIDED data. If you want to check the ammo inventory for accuracy, then box and select UPDATE SHELL, UPDATE PROP, and UPDATE FUZE one at a time (para O-6.2l(5)).
- e. Site Definition. To use Site data obtained from FDC in the step above, box SITE DATA on the SETUP AND INFORMATION menu, press SELECT key and SITE DEFINITION menu will be displayed. Box GET FDC SITE and press SELECT key (This option will only be available if the POC has sent an AFU mask to the PDFCS). Press USE ALL, and the FDC provided Site Data will be used by the PDFCS.

O-7 PDFCS TRAVEL MODE.

During the travel mode the navigation system provides a continuous position data display to the operator. The data displayed on the EL Panel will show UTM coordinates for both position and destination. Also included is a graphic display showing where the vehicle is traveling in relation to destination. After alignment, the PDFCS will automatically go into travel mode when the howitzer starts to move.

O-7.1 Movement.

Once the howitzer has been initialized and the navigation system has had time to align, a CANCEL softkey will appear on the main menu. To view a SECTION IN ORDER AT INITIALIZATION POINT screen, press the CANCEL softkey.



06pc148ma

NOTE

- DO NOT MOVE the howitzer until you see OK TO MOVE OR SHOOT, ACK message.
- You may then move the howitzer or accept fire missions, but you can expect ZUPT requests during moves if the ALN_ _ _S is still counting down.

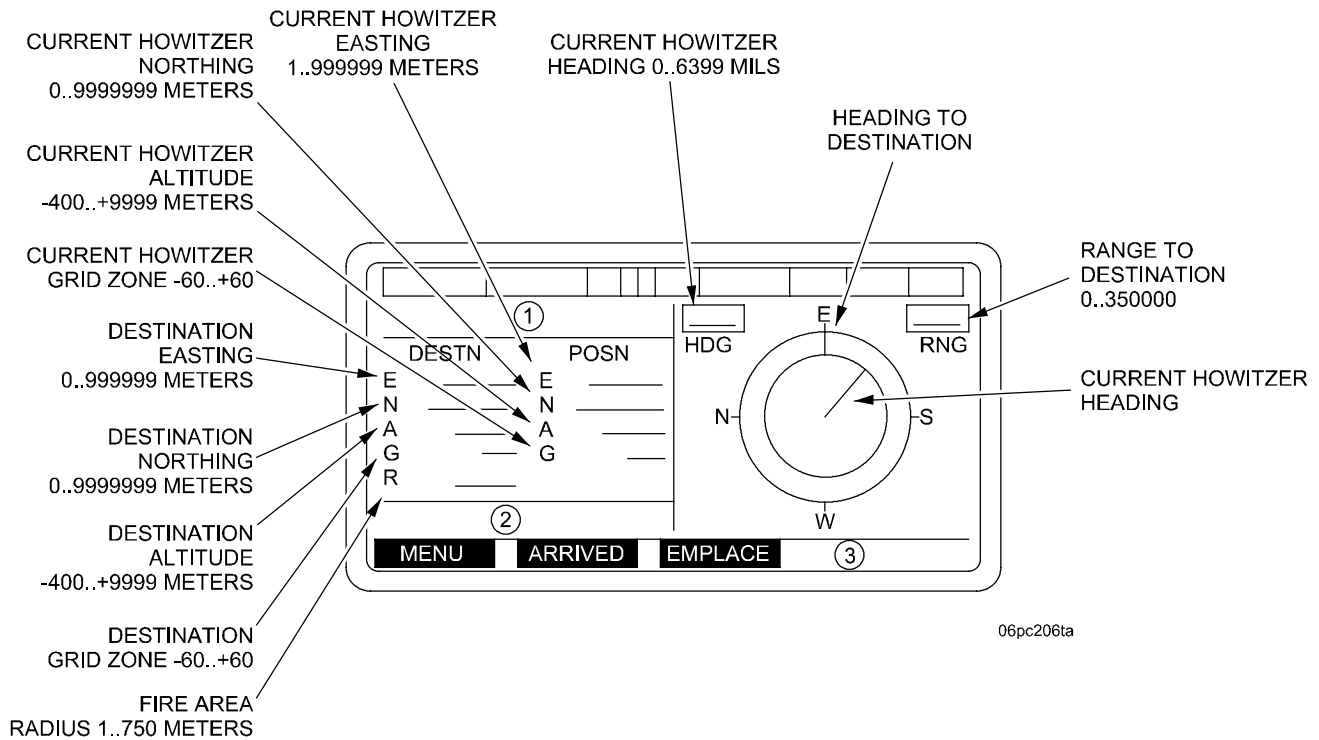
O-7.1.1 Move Order. Upon receipt of a Move Order, an audio alert will sound and an OPERATOR ALERT and a STEERTO/EMPLACEMENT screen will automatically appear if the system display was at a SECTION IN ORDER screen. If the SET UP AND INFORMATION screen is displayed a MOVE ORDER alert will appear in field 3 of the screen, and an OPERATOR ALERT, "MOVE MISSION" "ACK", will be displayed and the CANCEL softkey must be pressed to display the STEERTO/EMPLACEMENT screen. Once the vehicle has moved about 25 meters an audible and softkey alert "PRESS ACK WHEN TUBE STOWED" "ACK" will be displayed. Acknowledge the tube is stowed and press ACK softkey.

O-7 PDFCS TRAVEL MODE - CONTINUED

O-7.1 Movement - Continued

O-7.1.1 Move Order - Continued

STEERTO display screens:



06pc206ta

- ① “STEERTO FIRE AREA” - Destination is Fire Area
 “STEERTO INIT POINT” - Destination is Initialization point
 “STEERTO LOG POINT” - Destination is Logistics Point
 “STEERTO FIRE POINT” - Destination is Fire Point
- ② “ORDERED MOVE IN PROGRESS”
 “STOP MOVING AND WAIT”
 “MOVE IN PROGRESS”
 “NO AUTHORITY OR ORDERS TO MOVE”
 “AWAITING START OF ORDERED MOVE”
 “DO NOT START ORDERED MOVE”
- ③ “ZUPT REQUIRED”
 “NAV POS UPDATE REQUIRED”

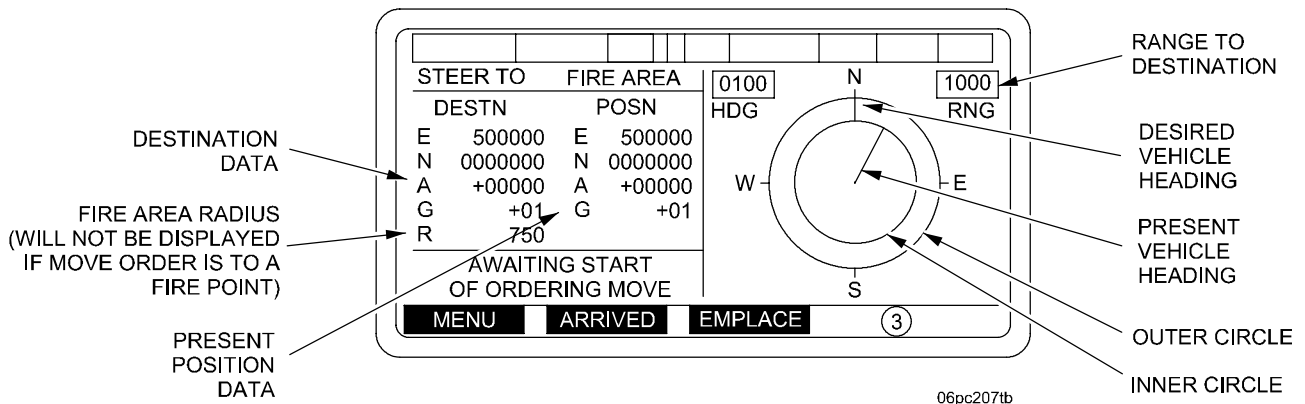
O-7 PDFCS TRAVEL MODE - CONTINUED

O-7.1 Movement - Continued

O-7.1.1 Move Order - Continued

The STEER TO FIRE AREA screen contains the following:

- MO - Describes Move Order status.
- DESTN - Indicates destination coordinates: (E) Easting, (N) Northing, (A) Altitude, (G) Grid Zone, (R) Radius of operating area,
- POSN - Indicates present howitzer position: (E) Easting, (N) Northing, (A) Altitude, (G) Grid Zone.
- HDG - Howitzer's numerical heading in Mils (Azimuth).
- RNG - Range to destination in radial distance.
- Graphic Display - N, E, S, W on outer circle, indicates North, East, South and West and rotates like a compass. The line running from the center of display to edge of the inner circle indicates present vehicle heading. The line between the inner and outer circle indicates the desired heading. When these two lines are aligned, the vehicle is traveling toward destination.



O-7 PDFCS TRAVEL MODE - CONTINUED

O-7.1 Movement - Continued

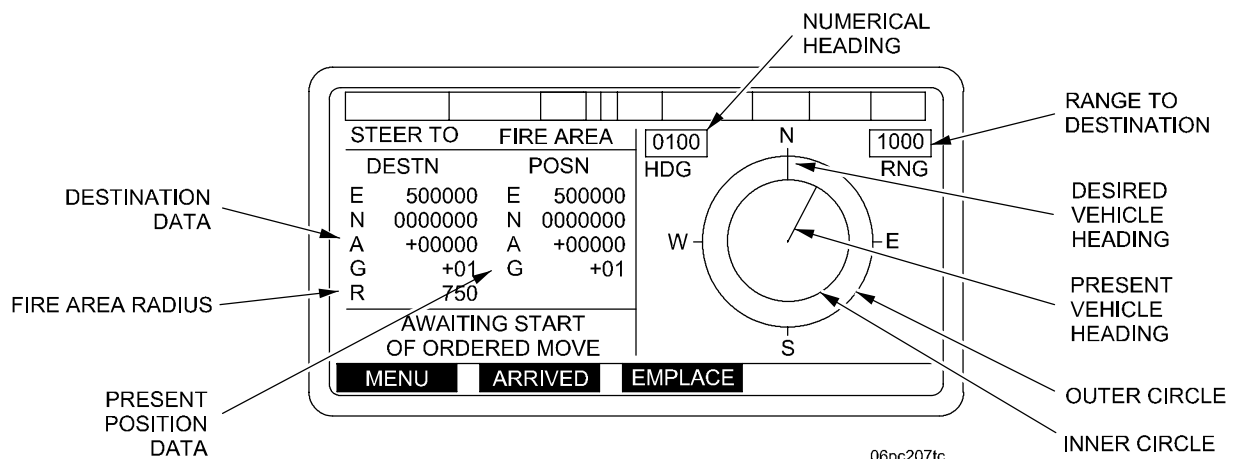
O-7.1.2 Moving. During movement of the howitzer, the STEER TO FIRE AREA screen will assist the operator in locating his destination. While the howitzer is on the move, the following will occur:

- The graphic portion of the display will indicate the howitzer's movement by the outer circle of the display moving according to the vehicle heading. The line from center of the display to the inner circle will move as the howitzer changes directions.
- The alphanumeric portion of the display under POSN will provide the operator with his current position constantly. The display above HDG will change as the howitzer changes headings and the display above RNG will change to indicate whether the movement is away from destination (increase) or toward destination (decrease).
- Navigation system update may occur (zero velocity update) to maintain location accuracy.

O-7.1.3 Zero Velocity Updates. "Periodic Zero Velocity Updates (ZUPT) may be required if the VMS fails or is out, and the GPS is not valid. ZUPTs are required to increase the accuracy of the Navigation Subsystem. To insure proper Navigation Subsystem Operation and to maintain system performance accuracies, ALL Requested ZUPTs must be honored". When an update is required, the PDFCS will notify the operator with an audible alert and "ZPT" will appear in Field 6 and a softkey alert "ZUPT REQUIRED", "ACK". To accomplish a ZUPT, perform the following steps:

- Stop the vehicle as soon as possible after the alert (the less time traveled between each ZUPT, the better the system accuracy).
- Press ACK key to acknowledge operator alert.
- Remain stopped until ZUPT is complete. ZUPT is done automatically during this period.

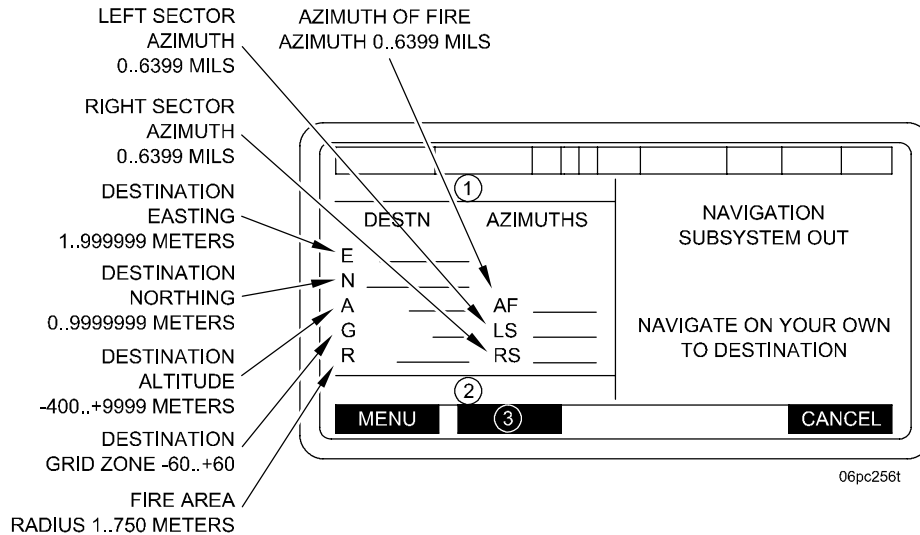
When the ZUPT is complete, another operator alert will be displayed, "ZUPT NO LONGER REQUIRED", "ACK". "ZPT" is no longer displayed in status line. Press ACK key, then vehicle movement can be continued.



O-7 PDFCS TRAVEL MODE - CONTINUED

O-7.1 Movement - Continued

O-7.1.4 Moving with Navigation System Degraded. If a navigation system failure occurs while the howitzer is moving, the operator will be alerted visually with a NAVIGATE ON YOUR OWN TO DESTINATION display. The chief of section must use established navigation procedures to reach the destination shown. If only the DAGR is operational there will be no HDG information on the display.



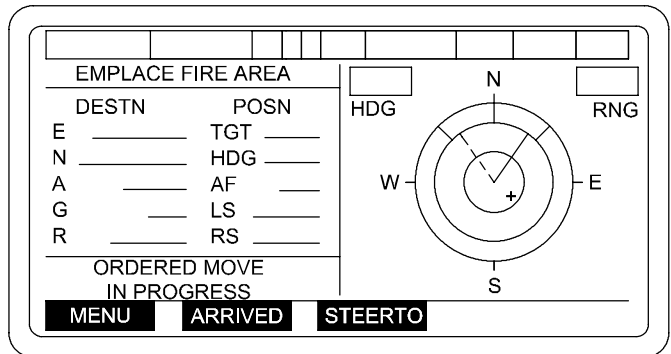
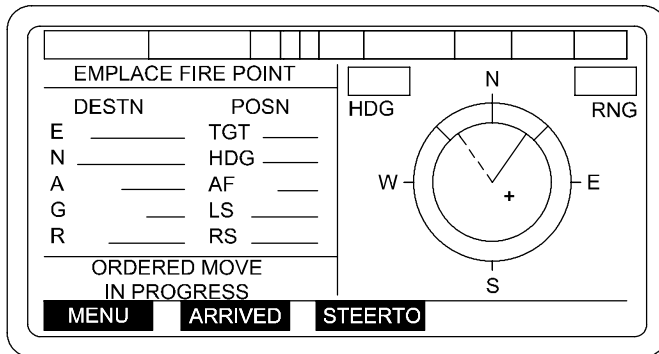
- 1 "DEGRADED FIRE AREA" - Destination Is Fire Area
 "DEGRADED INIT POINT" - Destination Is Initialization Point
 "DEGRADED LOG POINT" - Destination Is Logistics Point
 "DEGRADED FIRE POINT" - Destination Is Fire Point
- 2 "ORDERED MOVE IN PROGRESS"
 "STOP MOVING AND WAIT"
 "MOVE IN PROGRESS"
 "NO AUTHORITY OR ORDERS TO MOVE"
 "AWAITING START OF ORDERED MOVE"
 "DO NOT START ORDERED MOVE"
- 3 MOVING softkey only appears when the Navigation System is DEGRADED or OUT. Press MOVING softkey after vehicle starts moving. Press ARRIVED key when vehicle has arrived at destination.

O-7 PDFCS TRAVEL MODE - CONTINUED

O-7.2 Emplacement Fire Point/Fire Area.

When the howitzer enters the radius the PDFCS will display the Emplacement at a FIRING AREA/POINT screen depending on type of MOVE ORDER received.

The EMLACE FIRE POINT screen is also used for DESTINATION TYPES, INITIALIZATION POINT and LOGISTICS POINT emplacement.

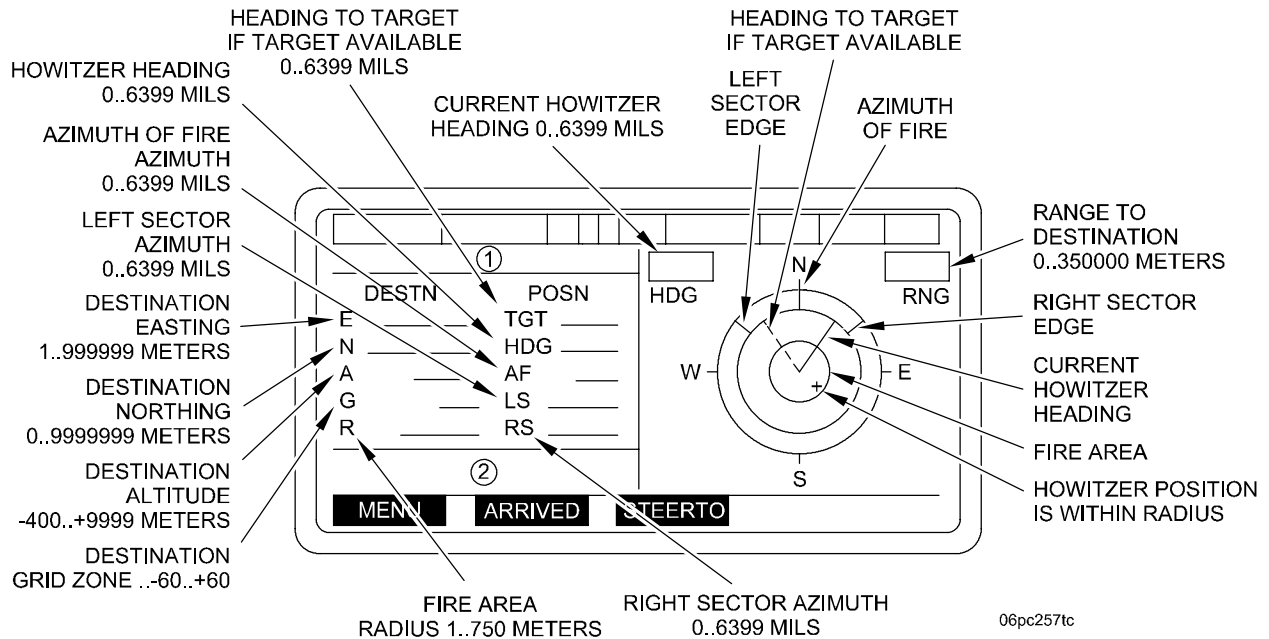


06pc257tb

O-7 PDFCS TRAVEL MODE - CONTINUED

O-7.2 Emplacement Fire Point/Fire Area - Continued

EMPLACE FIRE AREA Screen - The data on the EMPLACE FIRE AREA screen is the same as the STEER TO FIRE AREA screen with the following exceptions:



06pc257tc

- ① "EMPLACE FIRE AREA" - Destination Is Fire Area
 "EMPLACE INIT POINT" - Destination Is Initialization Point
 "EMPLACE LOG POINT" - Destination Is Logistics Point
 "EMPLACE FIRE POINT" - Destination Is Fire Point
- ② "ORDERED MOVE IN PROGRESS"
 "STOP MOVING AND WAIT"
 "MOVE IN PROGRESS"
 "NO AUTHORITY OR ORDERS TO MOVE"
 "AWAITING START OF ORDERED MOVE"
 "DO NOT START ORDERED MOVE"

O-7 PDFCS TRAVEL MODE - CONTINUED

O-7.2 Emplacement Fire Point/Fire Area - Continued

- a. Plus Sign - Represents the vehicle. When the vehicle is within the allowable move area assigned by the Platoon Operation Center (POC), the "+" will appear on the display. As the vehicle moves, the plus sign will also move, indicating direction of travel.
- b. Inner Circle - Represents the Allowable Movement Area and will vary in size. This is determined by the radius of the Fire Area and is assigned by POC with a Move Order. This circle is an Emplacement Aid.

NOTE

- If EMPLACEMENT screen was accessed prior to arriving at next firing area the EMPLACEMENT screen may not display automatically.
 - Once the vehicle is within the inner circle (shown by the + sign) the CHIEF OF SECTION may choose his emplacement position to take advantage of terrain features.
- c. The line running from middle circle to outer circle between N and E represents Right Sector of Fire and the line between N and W represents Left Sector of Fire. The line under N represents Azimuth of Fire. The sector of fire is assigned by POC with the Move Order.
 - d. Solid Line - Represents the current heading. It extends from the center of the smallest circle to the edge of the middle circle. When this line is aligned with the line under the "N", the vehicle is travelling toward the ordered destination.
 - e. Dotted Line - Represents the gun-target line to a Final Protective Fire (FPF) target (if stored on PDFCS) and is designated by the POC.
 - f. Destination - Represented by the intersection of the solid line and the dotted line at the center of the smallest circle.
 - g. Azimuths - Display of azimuths in Mils to TGT (FPF target if one exists), HDG (present howitzer heading), AF (Azimuth of Fire), LS (Left Sector of Fire), RS (Right Sector of Fire).

O-7.2.1 Emplacing. Once the plus sign is within the designated firing area the howitzer has reached its destination. The howitzer is then maneuvered until vehicle heading (solid line from the center of the smallest circle to the edge of the middle circle) is aligned as closely as possible with the Azimuth of Fire Line (center solid line between the middle and outer circle). When these lines are aligned, the howitzer is roughly laid on the Azimuth of LAY.

NOTE

- DRUH position data improves approximately 30 seconds after the howitzer is stopped. The chief of section has the option of awaiting this time and then pressing the ARRIVED softkey to achieve optimum positioning data. However, this option should not be considered during an emergency fire mission (EMERGENCY MISSION).
- Before pressing ARRIVED key you must record your position data and Azimuth of Fire (Base Azimuth) in case the PDFCS fails.

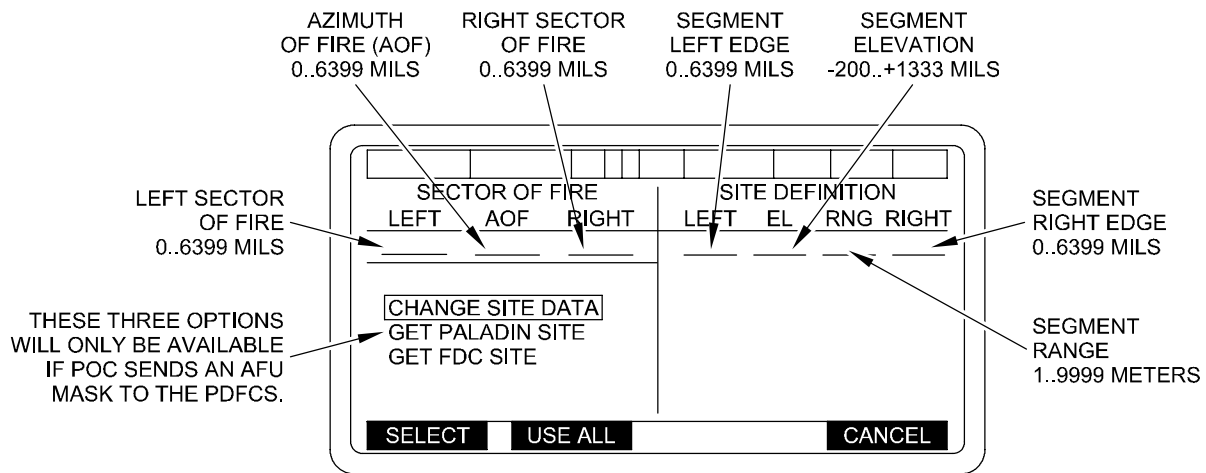
O-7 PDFCS TRAVEL MODE - CONTINUED

O-7.2 Emplacement Fire Point/Fire Area - Continued

NOTE - Continued

- If cab-side VMS modem is disconnected and position data is not available from the DAGR, the DRUH position data will degrade even though the howitzer is not moving. This data may degrade to the point where the navigation subsystem will be declared out.
- The softkey under ARRIVED on the MOVE ORDER screen must be pressed before the gun tube is unstowed from travel lock. This action establishes the TUBE STOW (travel lock) position. Pressing the STOW key will move the tube back to this azimuth.
- If EMPLACEMENT screen was accessed prior to arriving at next firing area the EMPLACEMENT screen may not display automatically.
- Once the vehicle is within the inner circle (shown by the + sign) the CHIEF OF SECTION may choose his emplacement position to take advantage of terrain features.
- When emplacing the howitzer, the Azimuth of Fire (Azimuth of LAY) from the Move Order is the azimuth the PDFCS holds as the "Base Azimuth" (the 3200 deflection reference position). This is the azimuth used by the PDFCS to compute ballistic data, and is also sent to the FDC in the PIECE STATUS (HOW: UPDATE) message for ballistic computations at the FDC.
- When emplacing at a FIRING POINT the howitzer range must be 50 meters or less. (Optimum 10 meters or less.)

Press the ARRIVED softkey on the EMPLACE FIRE AREA or Fire Point Site Definition screen to display a SITE DEFINITION screen. Take the tube out of travel lock.



06pc3311a

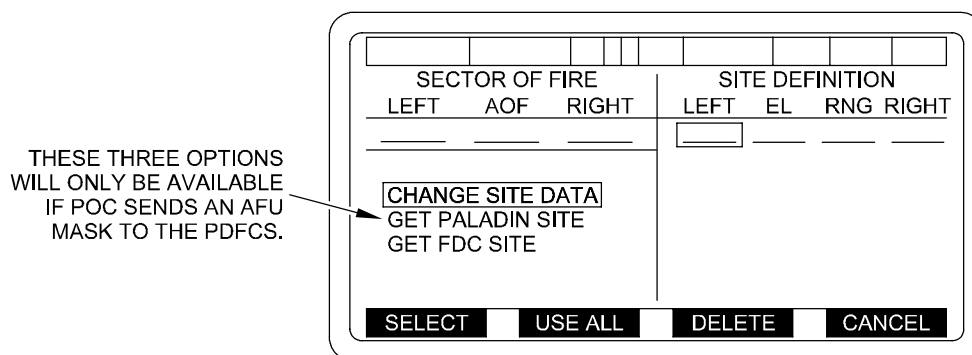
Automatic selection boxing will occur starting from field LEFT and then continuing from LEFT to RIGHT, to field EL RNG and RIGHT, after each previous entry has been ENTERED.

O-7 PDFCS TRAVEL MODE - CONTINUED

O-7.2 Emplacement Fire Point/Fire Area - Continued

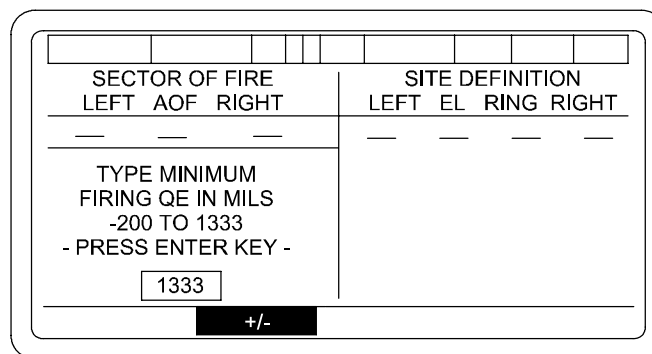
O-7.2.2 SITE DATA. Identifies left and right limits, range and elevation in mils, and is used to ensure that all rounds clear crests within the howitzer's SECTOR OF FIRE. Up to eight sets of site definition data can be entered. Site definition data is determined using the same procedures as SITE TO CREST (sighting through the cannon tube). This data is entered using the SITE DEFINITION screen as follows:

- Obtain SECTOR OF FIRE data from POC. Normally Azimuth of Fire, Left and Right Sector limits will be provided by the POC in the Move Order and will be displayed automatically on the SITE DEFINITION menu on the left side of the screen under LEFT AOF RIGHT headings.
- Press the DELETE key to remove SITE DATA from previous occupation. Box in limit under column to be changed and press the SELECT key.



06pc332t

- One Line SITE DATA (For Initial Occupation). Pressing the ARRIVED key, the COS must obtain One Line SITE DATA. After removing the gun tube from the travel lock, the COS brings the cursor box to the left limit and presses SELECT, then traverses the gun tube to the left while monitoring the Azimuth readout until he reaches at least one mil beyond the Left limit, then presses ENTER. While the GUNNER sights through the gun tube, the COS elevates or depresses the gun tube to obtain immediate crest. COS brings the cursor box to the Right limit and presses SELECT, then COS traverses the gun tube to the Right limit while the GUNNER sights through the gun tube. COS elevates gun tube upon the COMMAND "Elevate" from the GUNNER when the GUNNER needs to clear an obstruction until the COS reaches the Right limit while monitoring the Azimuth readout, then presses ENTER. Before moving the gun tube, COS then cursors to the entry under EL, presses SELECT and ENT to obtain elevation to immediate Crest. COS then cursors to entry under Range, presses SELECT and ENT and inputs RANGE TO CREST from the numeric PDFCS keypad and presses ENT. Upon completion of One Line SITE DATA the COS then presses USE ALL to input MIN QE.



06pc215ta

O-7 PDFCS TRAVEL MODE - CONTINUED

O-7.2 Emplacement Fire Point/Fire Area - Continued

O-7.2.2 Site Data - Continued

Pressing the ENTER key will display SECTION IN ORDER menu. During NORMAL OPERATIONS the last value entered shall be displayed.

- d. MINIMUM QUADRANT ENTRY. Upon completion of One Line SITE DATA, press USE ALL and a display will appear in the left side of the SITE DEFINITION screen. Enter the MIN QE obtained from the POC for the current position. Upon voice verification of the MIN QE with the POC, press the ENT key. This will display the SECTION IN ORDER at FIRING AREA/POINT screen.
- e. Send piece status to POC.

NOTE

COS will obtain MAX QE and send updated piece status to POC (see para O-8.7.3).

O-7.2.2.1 SITE DEFINITION screen display. With the GUNNER sighting through the tube the COS elevates or depresses the gun tube to obtain immediate Crest. COS traverses right while the GUNNER looks through the gun tube. When an obstruction appears, data for the Left limit SITE DEFINITION can be entered by pressing the ENT key. The SITE DEFINITION screen with Left Azimuth will be displayed. Perform steps d and e to establish 6400 mils SITE DEFINITION.

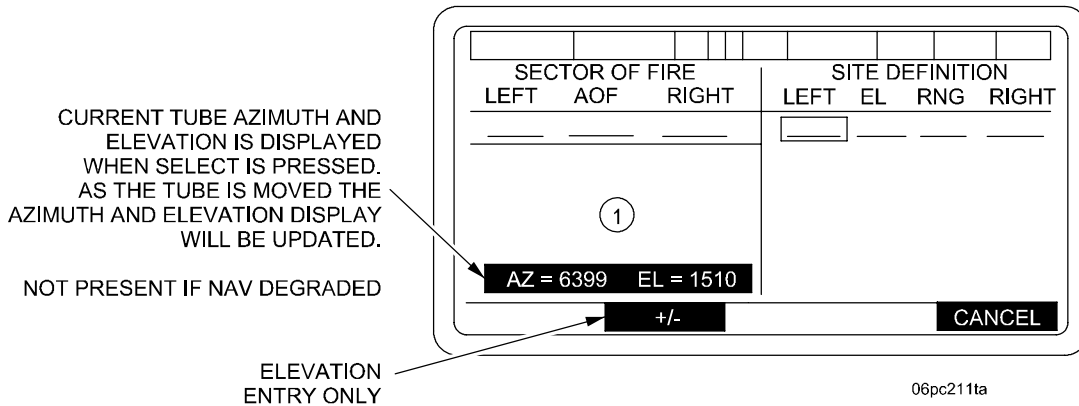
NOTE

This procedure is conducted as part of Position Improvement.

O-7 PDFCS TRAVEL MODE - CONTINUED

O-7.2 Emplacement Fire Point/Fire Area - Continued

O-7.2.2 Site Data - Continued

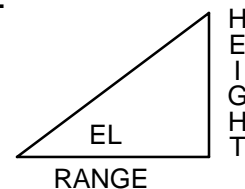


1 THE FOLLOWING PROMPTS ARE DISPLAYED DEPENDING ON WHICH FIELD IS SELECTED:

<p>WHEN "LEFT" IS SELECTED MOVE TUBE OR TYPE LEFT EDGE OF SITE IN MILS: 0 TO 6399 -PRESS ENT KEY-</p>	<p>WHEN "EL" IS SELECTED MOVE TUBE OR TYPE ELEVATION OF SITE IN MILS: -200 TO 1333 -PRESS ENT KEY-</p>
<p>WHEN "RNG" IS SELECTED TYPE RANGE TO SITE IN METERS: 1 TO 9999 -PRESS ENT KEY-</p>	<p>WHEN "RIGHT" IS SELECTED MOVE TUBE OR TYPE RIGHT EDGE OF SITE IN MILS: 0 TO 6399 -PRESS ENT KEY-</p>

NOTE: MASK HEIGHT CANNOT EXCEED 10,000 METERS, THEREFORE:

- (A) UPPER LIMIT ON RANGE WILL CHANGE DEPENDING ON CURRENT MASK ELEVATION
- (B) UPPER LIMIT ON ELEVATION WILL CHANGE DEPENDING ON CURRENT MASK RANGE



NOTE: WHEN CURRENT TUBE POSITION IS USED TO SET MASK ELEVATION:

IF THE RANGE FIELD CONTAINS AN ENTRY WHICH RESULTS IN A MASK EXCEEDING 10,000 METERS, THE RANGE FIELD WILL BE RESET TO THE MAXIMUM ALLOWED VALUE AND THE FOLLOWING MESSAGE WILL BE DISPLAYED: **"WARNING - RANGE SET TO MAXIMUM", "ACK"**

Automatic selection boxing will occur starting from field LEFT and then continuing from LEFT to RIGHT, to field EL, RNG, and RIGHT, after each previous entry has been ENTERED.

O-7 PDFCS TRAVEL MODE - CONTINUED

O-7.2 Emplacement Fire Point/Fire Area - Continued

O-7.2.2 Site Data - Continued

- a. Select column (LEFT) to display left limit SITE DEFINITION screen. Data for this limit can be typed in, or use tube position. Enter data by pressing ENT key.

06pc329t

NOTE

- Numerical value must be entered before sign. Default sign is (+).
 - Upper limit on elevation will change depending on current mask range. If range is blank, default shall be 1333.
- b. Select next limit column (EL) to display Elevation SITE DEFINITION screen. Enter elevation data in the same manner as left limit (type in data or use gun tube position). If elevation is below zero, press +/- key to place minus sign in front of numbers to be entered (used only when typing in data). Press ENT key.

06pc330ta

O-7 PDFCS TRAVEL MODE - CONTINUED

O-7.2 Emplacement Fire Point/Fire Area - Continued

O-7.2.2 Site Data - Continued

NOTE

Upper limit on range will change depending on current mask elevation. If elevation is blank, default shall be 9999.

- c. Select next limit column (RNG) to display the Range SITE DEFINITION screen. Enter range to crest and press ENT key. (Data for this must be typed in; gun tube position cannot be used.)

SECTOR OF FIRE			SITE DEFINITION			
LEFT	AOF	RIGHT	LEFT	EL	RNG	RIGHT
---	---	---	---	---	<input type="text"/>	---
TYPE RANGE TO SITE IN METERS: 1 TO 9999 - PRESS ENTER KEY -						
						CANCEL

06pc334t

- d. Select next limit column (RIGHT) to display the right limit SITE DEFINITION screen. Data for this limit can be typed in, or use tube position. Enter data by pressing ENT key.

SECTOR OF FIRE			SITE DEFINITION			
LEFT	AOF	RIGHT	LEFT	EL	RNG	RIGHT
---	---	---	---	---	<input type="text"/>	---
MOVE TUBE OR TYPE RIGHT EDGE OF SITE IN MILS: 0 TO 6399 - PRESS ENTER KEY -						
						CANCEL

06pc335t

- e. Using arrow key, move cursor box to next available line and to the left and identify next obstruction. Sequence can be repeated as many as seven times if needed.
- f. When all data has been entered, press USE ALL key.

O-7.2.3 Section In Order. When all data is correct, press ENTER key. This will bring up a SECTION IN ORDER WITHIN FIRE AREA or SECTION IN ORDER AT FIRE POINT screen depending on whether the Move Order was a move to a FIRE AREA or FIRE POINT. An ordered move of any other type would be indicated as such in field 11 of the menu.

SECTOR OF FIRE			SITE DEFINITION			
LEFT	AOF	RIGHT	LEFT	EL	RING	RIGHT
---	---	---	---	---	---	---
TYPE MINIMUM FIRING QE IN MILS -200 TO 1333 - PRESS ENTER KEY -						
<input type="text" value="1333"/>						
						+/-

06pc215ta

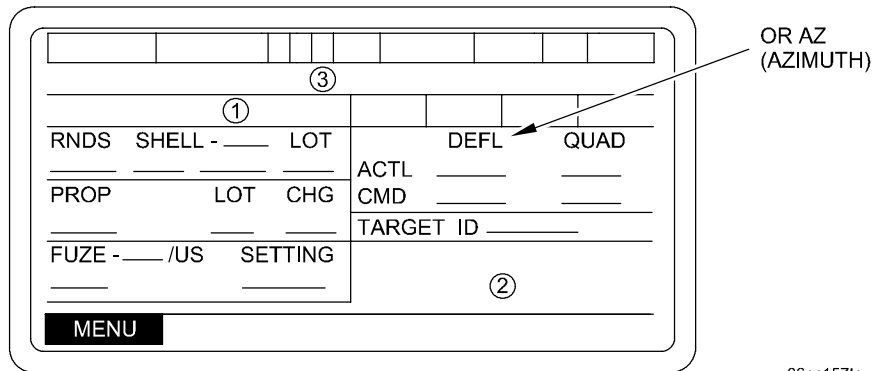
O-7 PDFCS TRAVEL MODE - CONTINUED

O-7.2 Emplacement Fire Point/Fire Area - Continued

O-7.2.3 Section In Order - Continued

NOTE

- See Table O-4 in Section O-4 (PDFCS Operating Controls and Indicators) for instructions and warnings which could appear on the SECTION IN ORDER display.
- When SECTION IN ORDER screen is displayed, the commanded deflection (CMD DEFL) may be either: 1) the Azimuth of Fire (Azimuth of LAY) from the Move Order, expressed at 3200 deflection. Since this is also the “Base Azimuth” position (the difference between the 3200 reference and the ordered Azimuth of LAY); or 2) if a Final Protective Fire (FPF) or Priority (PRI) target has been designated by the POC, the CMD DEFL will be the deflection from “Base Azimuth” to the FPF; or 3) when a Manual Move Order has been done, the CMD DEFL is the default Azimuth of Fire (Base Azimuth) entered upon initialization.
- LOAD/LAY and STOW will not be displayed unless the gun switch is in the ON position.



06pc157e

Listed below are the legal values for each field of the SECTION IN ORDER display:

- RNDS = Number of rounds remaining to fire 0..99 or blank
- SHELL = Shell model only (see Table O-6) or blank
- SHELL LOT = A..Z or blank
- PROP = Propellant model (see Table O-6) or blank
- PROP LOT = A..Z or blank
- PROP CHG = Propellant charge designator (see Table O-6) or blank
- FUZE = Fuze model only (see Table O-6) or blank
- FUZE SETTING = Computed fuze setting, “PD” or “DELAY”.
- DEFL (or AZ) = 0.0..6399.9 mils
- QUAD = -200.0..+1600.0 mils
- TARGET ID = FPF/PRI target identification if a target exists; otherwise blank

O-7 PDFCS TRAVEL MODE - CONTINUED

O-7.2 Emplacement Fire Point/Fire Area - Continued

O-7.2.4 Establish Distant Aiming Point or Set Collimator Per Unit SOP.

NOTE

If time permits, the crew should set out collimator or select a DAP and set the PANTEL with the tube "Base Azimuth". If this is not possible immediately, traverse back to "Base Azimuth" using one of the following procedures based on the conditions indicated on the SECTION IN ORDER screen.

- a. Use this procedure when the CMD DEFL reads 3200 deflection and there is no FPF nor PRIORITY (PRI) target displayed on the SECTION IN ORDER screen. Under these conditions, CMD DEFL is using the Azimuth of Fire (Base Azimuth). To move the tube to Base Azimuth, 1) Turn on hydraulic power, 2) Set GUN SERVO switch to ON, and 3) Press/hold the LOAD key until the LOAD indicator is highlighted in the upper right corner of the screen. Tube is now laid on Azimuth of Fire (Base Azimuth) and both the ACTL DEFL and CMD DEFL should read 3200.4) Sight onto the Collimator or the DAP and set 3200 Deflection on the PANTEL.
- b. Use this procedure when the CMD DEFL shows a deflection other than 3200 and there is either an FPF or PRIORITY (PRI) target displayed on the SECTION IN ORDER screen. The CMD DEFL is the Firing Azimuth for the FPF/PRI target, so the LOAD key cannot be used to move the tube to 3200 deflection. Under these conditions, 1) use the Hydraulic Power Handle Controls to traverse the tube until the ACTL DEFL reads 3200 deflection. Tube is now laid on Center of Sector (Base Azimuth). 2) Sight onto the Collimator or the DAP and set 3200 Deflection on the PANTEL.

NOTE

If the PDFCS fails, use the Azimuth of Fire recorded during emplacement as Azimuth of LAY (Base Azimuth) and use reciprocal lay procedures with the aid of an operational howitzer.

O-7.2.5 Final Laying of Gun Tube at FIRING AREA. It is necessary to lay the gun tube on the Azimuth of Fire (from MOVE ORDER) or the FPF/PRI azimuth/deflection. The SECTION IN ORDER screen will show a difference between the ACTL DEFL and the CMD DEFL. The ACTL and CMD values must be the same for the gun tube to be laid. To accomplish this: 1) set GUN SERVO switch to ON, and 2) depress and hold LOAD key (para O-4). The gun will traverse to the CMD DEFL (match ACTL and CMD) and to the LOAD ELEVATION stored at initialization. When the LOAD indicator is highlighted, release the LOAD key.

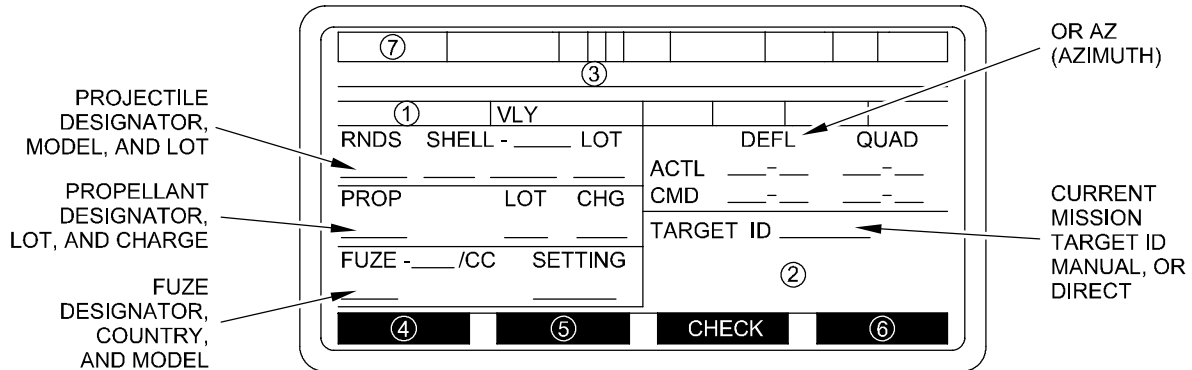
O-8 PDFCS FIRE MISSION.

Fire missions are usually generated as a result of a message from the FDC to the PDFCS. Included in the message are target location, method of control, and ammunition to fire (if ammunition is not specified the PDFCS will default to its own selection). When the message is received by the PDFCS, a FIRE MISSION display is displayed on the PDU and an audible alert is sounded through the intercom system. The Ballistics Computer will then compute the ballistics (azimuth and quadrant), based on ammunition data (projectile, propellant, and fuze), target location and the location of the howitzer (provided by the navigation system). The ballistic solution is then displayed on the FIRE MISSION display.

A typical FIRE MISSION display contains the following:

WARNING

The crew compartment must be adequately ventilated during all firing using the LEAD PARTICULATE FILTER or ventilation system in accordance with para 2-22.2.



06pc242t

Listed below are the legal values for each field of FIRE MISSION display.

VLY / = Current volley being displayed; 1/1, 1/2 or 2/2

NOTE

The 1/1, 1/2, and 2/2 data shall not be displayed for direct or FDC Fire Commands fire missions.

- VLY / = current volley being displayed: 1/1, 1/2 or 2/2
- RNDS = Number of rounds remaining to fire 1..99 or blank
- SHELL = Shell model only (see Table O-6) or blank
- SHELL LOT = A..Z or blank
- PROP = Propellant model (see Table O-6) or blank
- PROP LOT = A..Z or blank
- CHG = Propellant charge designator (see Table O-5) or blank
- FUZE = Fuze model only (see Table O-6) or blank
- FUZE SETTING = Computed fuze setting, "PD" or "DELAY".
- FUZE = Fuze model only (see Table O-6) or blank
- DEFL or AZ = 0.0..6399.9 mils or blank
- QUAD = -200.0..+1600.0 mils or blank
- TARGET ID = Current mission target identification

O-8 PDFCS FIRE MISSION - CONTINUED

Instructions and warnings which could appear on the FIRE MISSION display:

See Table O-2 in Section O-4 (PDFCS Operating Controls and Indicators) for instructions and warnings which could appear on the FIRE MISSION display.

NOTE

- If the projectile is an XM982 or M982 and successfully set the EPIAFS, then the Paladin will display the SHELL, SHELL LOT, Fuze Setting (PD, DLY, VT) in normal video and Shell expiration time (420-0 seconds) in inverse video.
- A type 2 audio alert will sound and the message "PRESS LOAD THEN READY" "ACK" will appear if the fire mission is an XM982 or M982 and the Method of Control is DNL.
- Selecting "PRESS LOAD THEN READY" "ACK" will cause the READY softkey to appear.

The following alerts shall appear if the operator presses the LOAD or LAY keys and the tube transitions across the minimum quadrant elevation:

MINIMUM QE VIOLATED**ACK**

The Gun Tube has violated the minimum QE as entered by the PDFCS operator in the Enter Minimum Firing QE Display. A type 2 audio alert will sound until the ACK key is pressed.

MINIMUM QE NO LONGER VIOLATED**ACK**

The Gun Tube no longer violates the minimum QE as entered by the PDFCS operator in the Enter Minimum Firing QE Display. A type 2 audio alert will sound until the ACK key is pressed.

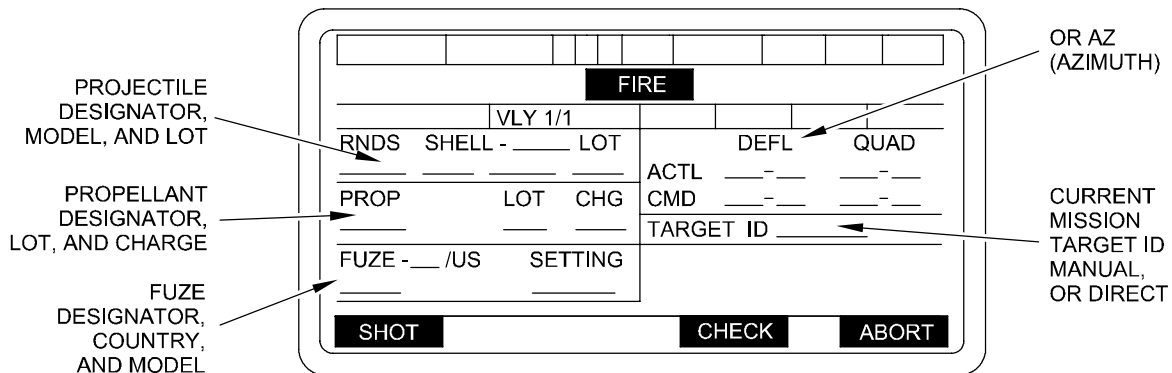
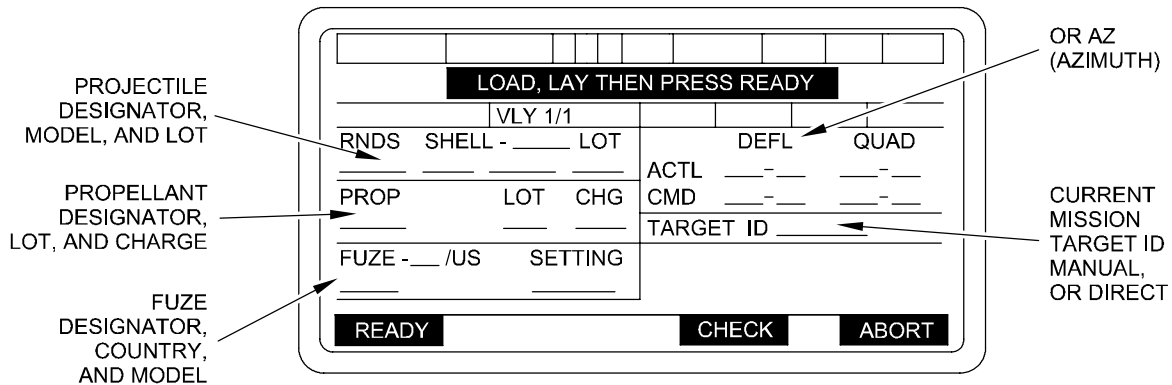
Fire Mission Received. When displayed, press ACK to confirm receipt of fire mission.

O-8 PDFCS FIRE MISSION - CONTINUED

O-8.1 Platoon Operation Center.

Although the howitzer has the ability to compute its own firing data, the actual firing of a mission is controlled by the POC. The control method is included within the fire mission message and displayed on the FIRE MISSION screen. Control methods are as follows:

- a. AT MY COMMAND. In this method, the POC controls when the howitzer is fired. (An example is a normal Copperhead mission.) The Method of Control field of the FIRE MISSION screen will tell the COS to LOAD, LAY, then press READY key. When these are accomplished, a message that the howitzer is ready to fire is sent to the POC. When the FIRE COMMAND is issued by the POC, an audible alert and an alternating tone is sounded and a FIRE prompt is displayed. If more than one volley is to be fired, the other volleys will be FIRE WHEN READY.



06pc220ta

O-8 PDFCS FIRE MISSION - CONTINUED

O-8.1 Platoon Operation Center - Continued

- b. **DO NOT LOAD.** This is a restrictive command that prohibits loading and firing. This is used when it is anticipated that significant time will elapse between loading and firing. When the DO NOT LOAD command is canceled, then the FIRE command is issued, and the same audible and visual alerts will be received as in AT MY COMMAND.

The diagram shows a control panel for the PDFCS FIRE MISSION. At the top, there is a row of eight small rectangular indicators. Below this is a large black button labeled "DO NOT LOAD". The panel is divided into several sections:

- Top Section:** A row of fields for "RNDS", "SHELL -", "LOT", "DEFL", and "QUAD".
- Middle Section:** Fields for "VLY 1/1", "ACTL", "CMD", and "TARGET ID".
- Bottom Section:** Fields for "PROP", "LOT", "CHG", "FUZE - /US", and "SETTING".

At the bottom of the panel are two buttons: "CHECK" and "ABORT".

Annotations with arrows point to specific fields:

- "PROJECTILE DESIGNATOR, MODEL, AND LOT" points to the "SHELL -" field.
- "PROPELLANT DESIGNATOR, LOT, AND CHARGE" points to the "PROP" field.
- "FUZE DESIGNATOR, COUNTRY, AND MODEL" points to the "FUZE - /US" field.
- "OR AZ (AZIMUTH)" points to the "DEFL" field.
- "CURRENT MISSION TARGET ID MANUAL, OR DIRECT" points to the "TARGET ID" field.

06pc2211a

- c. **TIME TO FIRE (TTF) SEQUENCE.** This sequence consists of the following:
- (1) Ballistic sequencing is performed. (COMPUTING DO NOT LOAD)
 - (2) If no ABORT is performed during the ballistic sequencing the PDFCS operator is given the data.
 - (3) The PDFCS operator is told to "WAIT FOR XXX SECONDS" where xxx is the number of seconds remaining until time to fire.
 - (4) The "WAIT FOR XXX SECONDS" prompt is updated each second.
 - (5) When the countdown has expired, the PDFCS operator is told to "FIRE".
 - (6) If this is not a FPF mission, then when the first shot out is detected, and there is a Continuous Fire Interval specified, processing continues using the Continuous Fire Interval sequence. If there are more rounds to fire, and a Continuous Fire Interval is not specified, the PDFCS operator is told to "FIRE WHEN READY" (similar to when ready sequencing subsequent rounds). Otherwise, if shot out is not detected within 20 seconds then the mission is automatically ended.
- If this is a FPF mission, then when shot out is detected the PDFCS operator is told to "FIRE WHEN READY" again. This is repeated until the mission is ended and no rounds complete is generated.
- (7) When rounds complete is detected the mission is automatically ended.
- d. **CONTINUOUS FIRE INTERVAL SEQUENCE.** The Continuous Fire Interval sequence shall be as follows for the second and subsequent rounds in a mission where a continuous fire interval is specified.
- (1) Following the first round fired using the sequences described above, the operator shall be told to "WAIT FOR XXX SECONDS" where xxx is the number of seconds remaining until time to fire.
 - (2) The "WAIT FOR XXX SECONDS" prompt shall be updated each second.
 - (3) When the countdown has expired, the operator is told to "FIRE".
 - (4) If all rounds in the mission have not been shot, processing will sequence through steps 1, 2, and 3 above.
 - (5) When rounds complete is detected, the mission is automatically ended.

O-8 PDFCS FIRE MISSION - CONTINUED

O-8.2 Firing Mission.

WARNING

The crew compartment must be adequately ventilated during all firing using the LEAD PARTICULATE FILTER or ventilation system in accordance with para 2-22.2.

WARNING

LEAD PARTICULATE AND FUMES HAZARD

- The adverse effects associated with exposure of lead range from acute to relatively mild. The symptoms of severe lead intoxication include loss of appetite, metallic taste, constipation, nausea, pallor, excessive tiredness, weakness, insomnia, headache, nervous irritability, muscle and joint pains, fine tremors, numbness, dizziness, hyperactivity, and colic.
- The following precautions must be observed to ensure safety of personnel during routine and combat conditions.
- **BE ALERT** during all firing missions for exposure symptoms. If symptoms of lead intoxication are suspected, **IMMEDIATELY** ventilate vehicle. If symptoms persist, remove affected personnel from vehicle and treat as follows: Expose to fresh air, keep warm, do not permit physical exercise. (Consult FM 4-25.11, "First Aid for Soldiers", for additional instruction.) A physician should be consulted within 24 hours.

WARNING

Individual exposure shall be limited to a maximum firing dosage of 13 M119 charges or six M203 charges per 24 hour period. If firing dosage will exceed these limits, MCS operation with the M25A1 face mask is required.

When a fire mission is received, visual as well as an audible alert is given. The visual alerts are FIREMSN in Field 2 and OPERATOR ALERT AND ACK display. The audible alert can be heard by all crewmembers. When a fire mission is in process, each crewmember will perform his portion of the following:

- a. GUNNER and CANNONEER stow seats (if not previously stowed).

O-8 PDFCS FIRE MISSION - CONTINUED

O-8.2 Firing Mission - Continued

- b. Driver starts engine and/or raises idle speed to 1000-1200 rpm.
- c. COS issues the fire order (for example, 1 round HE; charge 4 green bag; Fuze Time, Time 25.0) and activates the HYDRAULIC POWER switch on the hydraulic control box and the GUN SERVO switch on the PDU.
- d. Cannoneer turns LEAD FILTER switch on the Accessory Control Box to ON and moves Vent Duct Control Handle into UP position.
- e. GUNNER opens breech (first round only).
- f. CANNONEER positions rammer to RAM position.
- g. GUNNER prepares propellant (charge/zone taken from bustle stowage).
- h. CANNONEER prepares projectile and fuze (sets time on fuze if necessary).
- i. COS verifies projectile, fuze, fuze time and propellant and depresses LOAD key on PDU (if necessary).
- j. When the tube is in the LOAD position, the CANNONEER places the projectile on the ram tray and activates rammer.
- k. When the ramming cycle is complete, the CANNONEER places the rammer in the stowed position.
- l. GUNNER places propellant in powder chamber and closes breech.

NOTE

When the PDFCS has laid the gun and the LAY key is highlighted the gun must stay within +/- 0.9 mils of the commanded deflection.

- m. The COS presses and holds the LAY key on the PDU until the cannon is laid on the COMMAND FIRING data.
- n. COS ensures that the gun is in the LAY position by verifying and announcing LAY light is highlighted (ACTUAL and COMMANDED DEFLECTION) and QUADRANT is within tolerance (+/- 0.9) and the prompt "WARNING TUBE IS NOT IN LAY POSITION" is no longer displayed.
- o. GUNNER verifies LAY data. If data is correct GUNNER will announce "Verified". (If data is incorrect GUNNER will announce "Check firing").
- p. COS gives the command to "PRIME".

NOTE

During high angle missions or illumination missions, it is recommended prime be done at load elevation.

- q. COS commands "Hookup", CANNONEER attaches lanyard to firing block and announces "Hookup".
- r. COS announces, "FIRE".

NOTE

If the Navigation Subsystem or PMVS are out, the PDFCS will not detect the shot, and COS must press the SHOT softkey after each round.

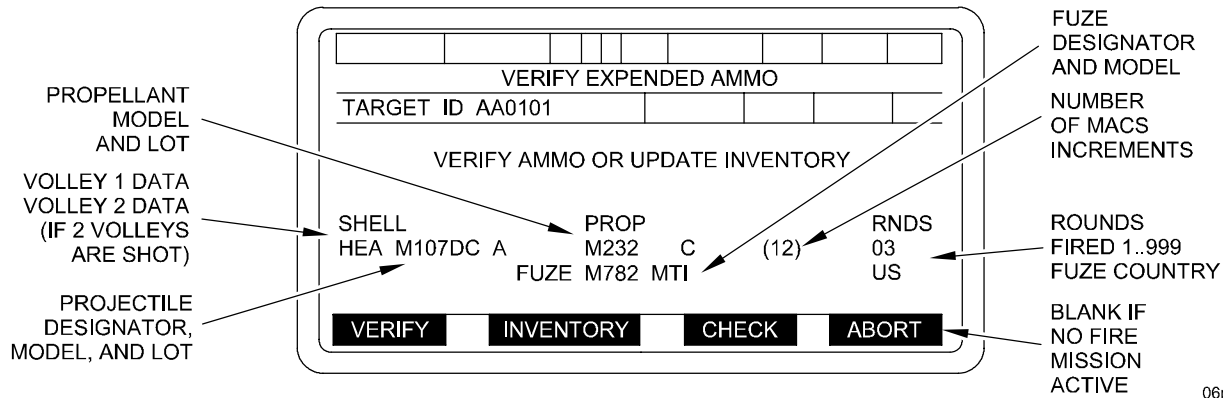
- s. CANNONEER pulls the lanyard to fire the round.
- t. The PDFCS is capable of automatically detecting Shot. In most cases pressing the SHOT softkey is not required. When a round is fired, the Navigation Subsystem and PMVS will detect the round. After the round is fired and detected by the PDFCS, the SHOT softkey will automatically disappear for 5 seconds, the Fire Mission will automatically decrement by one round (i.e. rounds to complete mission will decrease by one), and the Ammo Inventory will automatically be adjusted. In the very rare case that the PDFCS does not detect shot, the COS must press the SHOT softkey as before.

O-8 PDFCS FIRE MISSION - CONTINUED

O-8.2 Firing Mission - Continued

- u. Cannoneer turns on Personnel Fan (Exhaust) switch on the Accessory Control Box and moves the Vent Duct Control Handle into DOWN position. Operate Personnel Fan for 1-2 minutes until all fumes are exhausted.

O-8.2.1 Subsequent Rounds. The first procedure is also used for all subsequent rounds in a fire mission. When all rounds have been fired for the mission, a VERIFY EXPENDED AMMO screen will be displayed. Ammunition accountability is covered in para O-8.3.



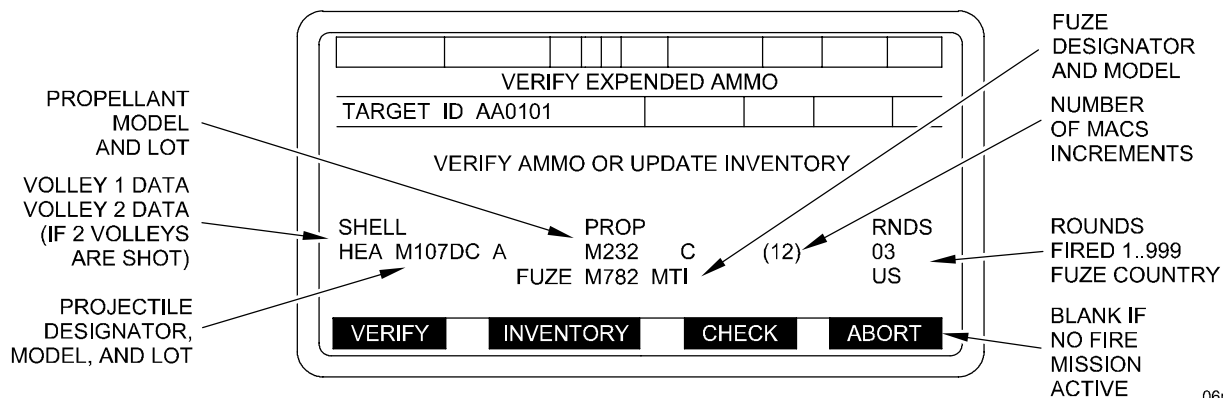
O-8.3 Ammunition Accountability.

NOTE

- If a shell, fuze or propellant is entered in the PDFCS inventory, but the quantity is insufficient for the mission, or zero, the PDFCS will prompt the Chief of Section to accept or reject the mission (in case a new load of ammunition just arrived and has not been entered into inventory yet).
- If a fire mission is activated while you are in any of the inventory management menus, all completed entries will be saved automatically.

It is essential that accurate ammunition updates to the PDFCS be done in order to be able to fire all missions received. This should be done after a mission is fired. When all rounds in a mission have been fired, a VERIFY EXPENDED AMMO screen is displayed. This screen asks the operator either to verify ammunition fired or to update the ammo inventory. This is accomplished as follows:

- a. If the ammunition shown in the lower part of the VERIFY EXPENDED AMMO screen is an accurate account of the ammunition fired, press VERIFY key, to update the ammunition count. This updates the PDFCS ammunition count automatically.



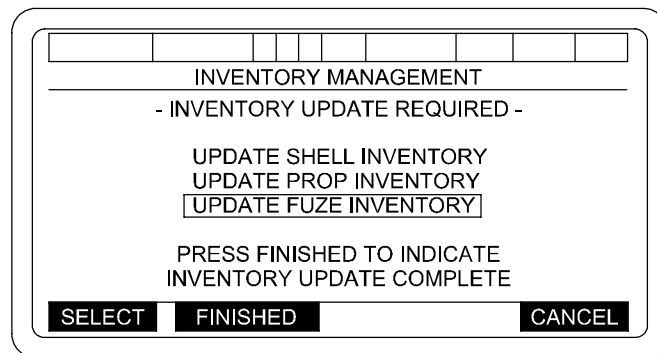
O-8 PDFCS FIRE MISSION - CONTINUED

O-8.3 Ammunition Accountability - Continued

- b. If the ammunition shown on the VERIFY EXPENDED AMMO screen is not an accurate account of ammunition fired (for example, a compatible fuze was used as a substitute for the fuze specified in the mission), press the INVENTORY key. This causes an INVENTORY MANAGEMENT screen to be displayed.

NOTE

- When INVENTORY key is pressed, SHELL, PROP and FUZE must be updated.
- The message "INVENTORY UPDATE REQUIRED" only appears if the screen is entered after a fire mission and the operator has not verified the ammo from the previous fire mission, or if a direct or manual mission was performed.



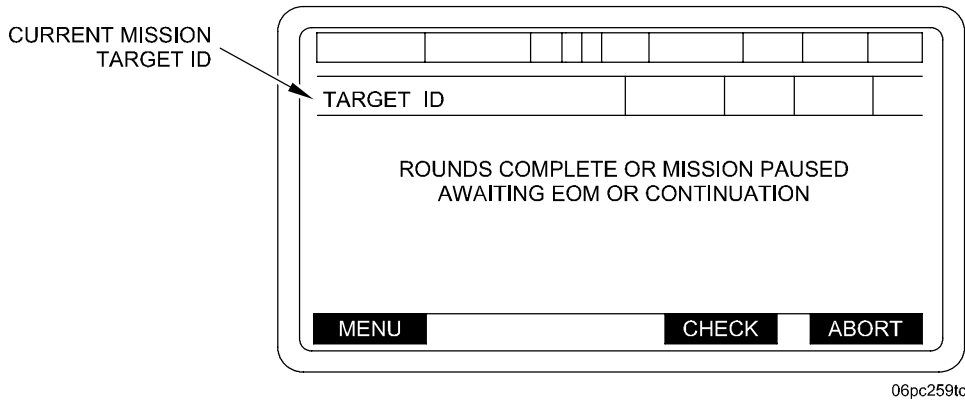
06pc172ma

- c. This will allow the operator to manually input the type of round actually fired and correct the ammo inventory.
- d. If **FINISHED** is pressed at this point, the operator will be returned to a ROUND COMPLETE screen and none of the ammo from that fire mission will be subtracted from the inventory.

O-8 PDFCS FIRE MISSION - CONTINUED

O-8.4 End of Mission.

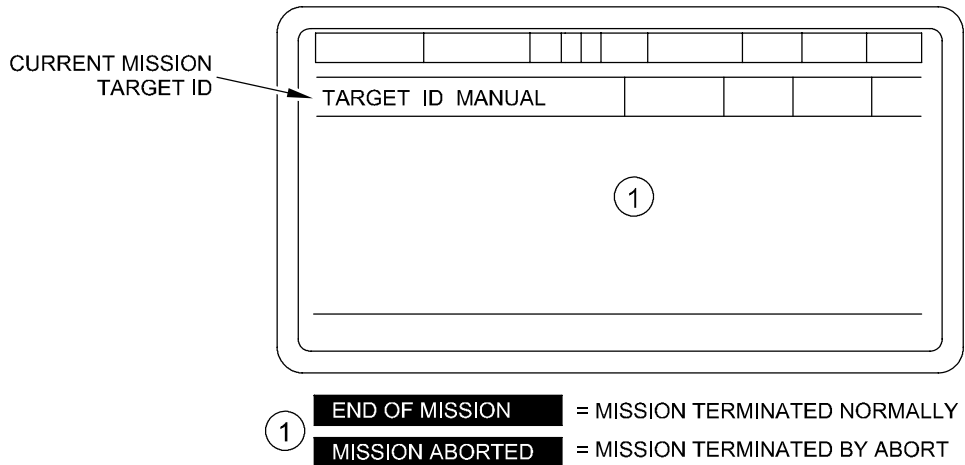
Notification that a Fire Mission has ended is sent by an END OF MISSION (EOM) message from the POC. Normally, this is done when all rounds requested in a Fire Mission have been fired. When all the rounds for a mission have been fired, a ROUNDS COMPLETE OR MISSION PAUSED, AWAITING EOM OR CONTINUATION OF MISSION screen will be displayed until an EOM message is sent from the POC. When the EOM message is received by the PDFCS, an END OF MISSION screen is displayed.



Operate Personnel Fan (Exhaust) switch on the Accessory Control Box with the Vent Duct Control Handle in DOWN position for 2 minutes when crew members observe fumes, smoke or indication of carbon monoxide build up in the crew compartment.

NOTE

- While awaiting EOM or continuation of a mission, you can access the SETUP AND INFORMATION menus by pressing the MENU key (e.g. to update inventory to add new ammo received). The PDFCS will automatically interrupt whatever you are doing if the fire mission is continued.
- See Table O-4 in Section O-4 (PDFCS Operating Controls and Indicators) for instructions and warnings which could appear on the SECTION IN ORDER display.

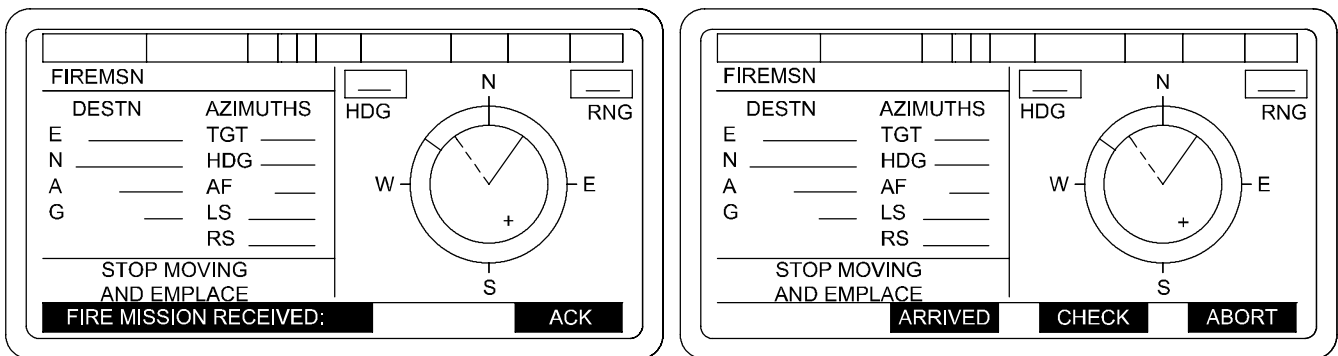


- ① **END OF MISSION** = MISSION TERMINATED NORMALLY
- MISSION ABORTED** = MISSION TERMINATED BY ABORT

O-8 PDFCS FIRE MISSION - CONTINUED

O-8.5 PDFCS Emergency Mission.

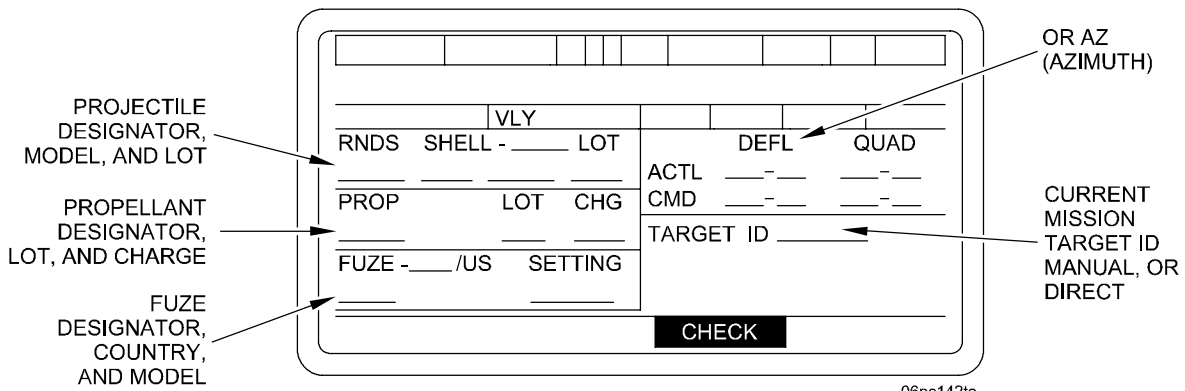
Because the M109A6 makes frequent tactical and survivability moves, receiving a Fire Mission while moving will become a routine event. During a move, a Fire Mission order may be sent requiring the individual howitzer to stop, emplace, and fire on a target at any time. When this type of order is sent, an audible alert and a visible alert in the form "FIREMSN RECEIVED" "ACK" in field 16 is displayed to the operator.



06pc274ta

O-8.5.1 Emplace.

The chief of section must ACK the mission and select a suitable firing position as quickly as possible. Depress ARRIVED softkey to receive the Fire Mission. Fire Mission data will be computed and displayed.



06pc142ta

O-8 PDFCS FIRE MISSION - CONTINUED

O-8.5 PDFCS Emergency Mission - Continued

O-8.5.2 Ready Gun.

- a. Set HYDRAULIC POWER switch on hydraulic control box and GUN SERVO switch on PDU to ON.
- b. Release gun tube from travel lock.
- c. Release cab traverse lock.

O-8.5.3 LAY, LOAD, LAY, AND FIRE.

NOTE

Ballistic computations must have been completed before LAY key is depressed.

- a. Depress and hold LAY key to bring gun to target Azimuth and LAY elevation. Look through tube and verify immediate Crest is clear.
- b. Depress LOAD key to LAY weapon on COMMANDED deflection and LOAD quadrant.
- c. Depress LAY key to LAY weapon on COMMANDED deflection and quadrant. Ensure LAY key is held until LAY indicator is highlighted.
- d. On command, fire the gun.

O-8.5.4 End of Mission.

- a. When END OF MISSION message is received, wait for instructions to proceed with displacement.
- b. After the END OF MISSION message, the MOVE ORDER screen with previous move mission data will be displayed.
- c. Turn on Personnel Fan (Exhaust) switch on the Accessory Control Box and move the Vent Duct Control Handle into DOWN position. Operate Personnel Fan for 1-2 minutes until all fumes are exhausted.
- d. Proceed to ordered destination.

CAUTION

Operate Personnel Fan (Exhaust) switch on the Accessory Control Box with the Vent Duct Control Handle in DOWN position for 2 minutes when crew members observe fumes, smoke or indication of carbon monoxide build up in the crew compartment.

O-8 PDFCS FIRE MISSION - CONTINUED

O-8.6 Direct Fire Procedures Using PDFCS.

NOTE

While the PDFCS can be used, manual (one man-one sight) procedures have been found to be faster and just as accurate.

For direct fire against close range targets, PDFCS can be used to aid in laying the cannon. COS identifies target, states type charge, projectile and fuze to be used, estimates speed (if target is moving) and announces lead to GUNNER. COS continues direct firing procedures until target is destroyed.

- a. COS first identifies direct fire target. If target consists of several weapons, he selects target that is the greatest threat to his position.
- b. COS gives fire command in the following order:

ELEMENT	EXAMPLE
Target designation	Target, lead tank
Target direction	Left/right front
Projectile, charge, fuze	Shell HE, charge 7, fuze quick
Lead	Lead left/right 10
Method of fire	Fire at will

NOTE

- "Fire at will" means to keep firing until target is destroyed or another command is given.
- COS will estimate range if he has no accurate range.
- COS will use lead chart mounted in commander's cupola (shown below) for initial lead.

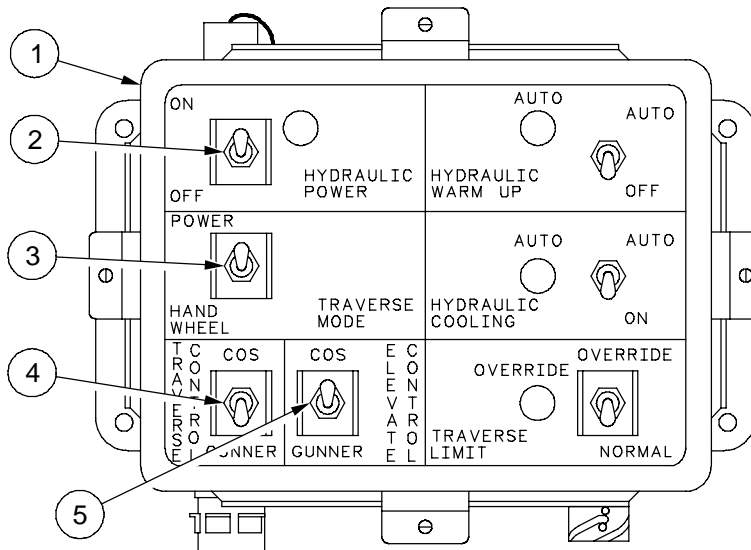
DIRECT FIRE MOVING TARGET LEAD			
TARGET SPEED (MPH)	TARGET DIRECTION OF TRAVEL		
	LEAD IN MILS (m)		
	←→	↖↗	↑↓
5	5m	5m	0m
10	10m	5m	0m
15	15m	10m	0m
20	20m	15m	0m
25	20m	15m	0m
30	30m	20m	0m

- c. On Display Unit COS sets GUN SERVO switch to OFF.

O-8 PDFCS FIRE MISSION - CONTINUED

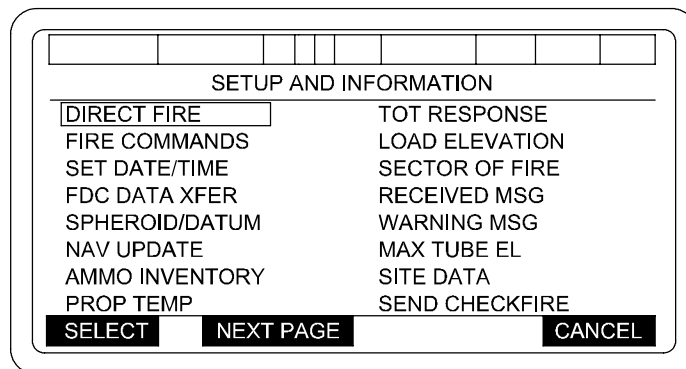
O-8.6 Direct Fire Procedures Using PDFCS - Continued

- d. On hydraulic control box (1), turn HYDRAULIC POWER switch (2) to ON, TRAVERSE MODE switch (3) to POWER, TRAVERSE CONTROL switch (4) to GUNNER, and ELEVATE CONTROL switch (5) to COS.



hipc173a

- e. Bring up SETUP AND INFORMATION menu on Display Unit.



06pc260tb

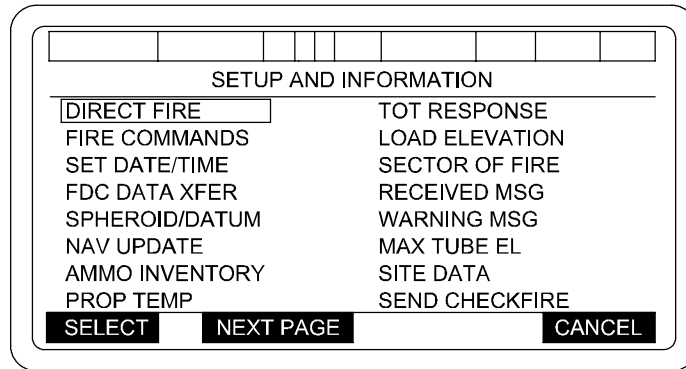
NOTE

The NAV update selection shall be available to the PDFCS operator at all times except when a fire mission is active or the navigation subsystem is unavailable.

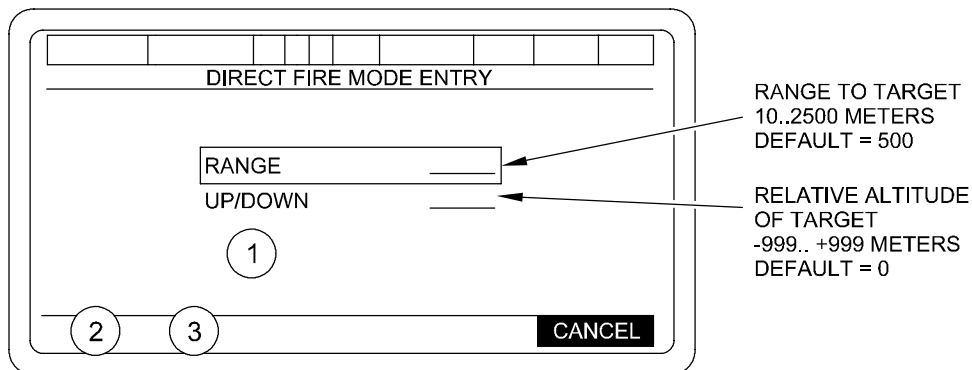
O-8 PDFCS FIRE MISSION - CONTINUED

O-8.6 Direct Fire Procedures Using PDFCS - Continued

- f. With cursor (box) at DIRECT FIRE, press softkey located directly beneath SELECT prompt to display a DIRECT FIRE MODE ENTRY menu on PDU.



06pc260tb



06pc183ma

- ① blank - No selection made
 "TYPE VALUE 10 TO 2500 METERS" - RANGE Selected.
 "-PRESS ENT KEY-"
 "TYPE VALUE -999 TO +999" - UP/DOWN Selected.
 "-PRESS ENT KEY-"
- ② blank - If RANGE or UP/DOWN Selected
- SELECT** - Awaiting Selection or USE ALL. Selects current menu item.
- ③ blank - If RANGE Selected
- +/-** - UP/DOWN Selected. Change sign of value
- USE ALL** - Awaiting Selection or USE ALL. Initiate direct fire mission.

O-8 PDFCS FIRE MISSION - CONTINUED

O-8.6 Direct Fire Procedures Using PDFCS - Continued

- g. Press softkey located directly beneath the USE ALL prompt of the DIRECT FIRE MODE ENTRY menu to display a FIRE MISSION menu.

The screenshot shows a handheld device screen with the following fields and callouts:

- FIRE WHEN READY**: A black bar at the top of the screen.
- PROJECTILE DESIGNATOR, MODEL, AND LOT**: Callout pointing to the **RNDS SHELL - ____ LOT** field.
- PROPELLANT DESIGNATOR, LOT, AND CHARGE**: Callout pointing to the **PROP LOT CHG** field.
- FUZE DESIGNATOR, COUNTRY, AND MODEL**: Callout pointing to the **FUZE - ____ /US SETTING** field.
- OR AZ (AZIMUTH)**: Callout pointing to the **DEFL** field.
- CURRENT MISSION TARGET ID MANUAL, OR DIRECT**: Callout pointing to the **TARGET ID** field.
- REMEMBER TO UPDATE INVENTORY**: A black bar with white text.
- CHECK** and **EOM**: Two black buttons at the bottom.

06pc1411a

NOTE

You will only use the ACTL QUAD field of this screen to set tube elevation.

- h. Using the DIRECT FIRE RANGE PLATE, the COS determines elevation based on estimated range. Using COS control handle, COS elevates/depresses gun to proper elevation in the ACTL QUAD field of the FIRE MISSION menu, then announces "SET" continually until howitzer is fired.

DIRECT FIRE RANGE PLATE 155MM HOWITZER			
M549A1 RAP		M107 HE PROJECTILE	
ROCKET OFF		M19A1 PC WB	
M203 SERIES PC RB		M119A2 PC RB	
RANGE METERS	ELEV MILS	RANGE METERS	ELEV MILS
400	3	400	4
600	5	600	7
800	6	800	9
1000	8	1000	11
1200	9	1200	14
1400	11	1400	16
L15 HE PROJECTILE		M107 HE PROJECTILE	
M203 SERIES PC RB		M4A2 PC WB	
RANGE METERS	ELEV MILS	RANGE METERS	ELEV MILS
400		400	6
600		600	10
800		800	13
1000		1000	16
1200		1200	20
1400		1400	23
○ PLATE DIRECT FIRE		P/N 12910859 ○	

O-8 PDFCS FIRE MISSION - CONTINUED

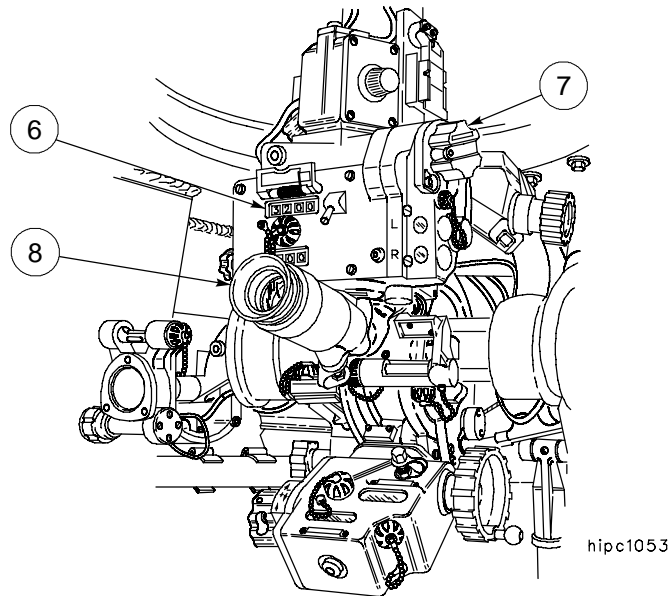
O-8.6 Direct Fire Procedures Using PDFCS - Continued

- i. On subsequent rounds, the COS will estimate a new range based on observed effects and repeat step h until target is destroyed or other commands become necessary.
- j. GUNNER sets azimuth counter (6) to 3200, and turns direct/indirect fire bar knob (7) to DIRECT position to engage 5.0 mils per click sight mechanism.

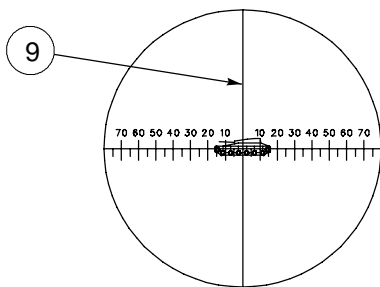
NOTE

The head of the PANTEL must remain oriented with the gun tube. The PANTEL will be oriented with the gun tube if the azimuth counter reads 3200 and the PANTEL is properly boresighted.

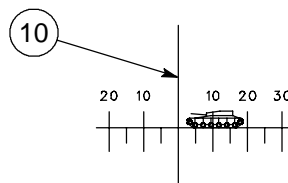
- k. If central laying is used, GUNNER applies announced lead to azimuth counter (6). If lead is left, add the lead angle to 3200; if lead is right, subtract the lead angle from 3200. The GUNNER then sights through the eyepiece (8) and traverses tube until vertical hairline (9) of PANTEL centers on the target. If reticle method is used, GUNNER places vertical hairline (10) left or right of target the number of mils lead announced by COS.



hipc1053



CENTRAL LAYING



RETICLE METHOD

hipc1057

O-8 PDFCS FIRE MISSION - CONTINUED

O-8.6 Direct Fire Procedures Using PDFCS - Continued

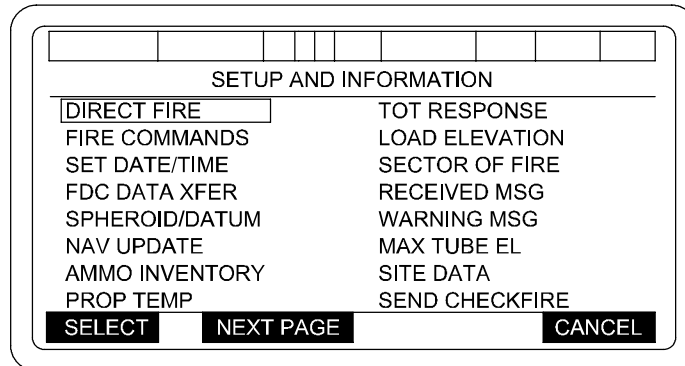
- l. When GUNNER establishes correct sight picture, and COS has announced "SET", GUNNER commands "FIRE".
- m. CANNONEER fires gun.
- n. After firing, GUNNER continues to lay on target until it is destroyed or a subsequent fire command is issued.
- o. COS gives subsequent fire commands based on observed effects and changes lead as necessary.

ELEMENT	EXAMPLE
Change in Lead	Right/left 5

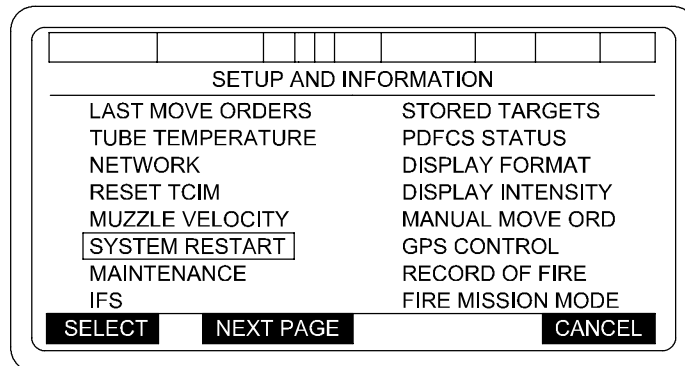
- p. GUNNER turns azimuth deflection knob in 5-mil (1-click) increments to set lead change.

O-8.7 System Menus.

The SETUP AND INFORMATION menu is used to access the various screens to initialize the PDFCS and align the Navigation System. It also provides access to menus allowing the operator to enter fire commands and muzzle velocities, access messages, and to monitor PDFCS STATUS and tube temperature. The operator can change the display format and intensity, input Manual Move Orders, perform a system update, and access stored targets. The operator can enter a SPHEROID/DATUM; can access the MAINTENANCE MODE MENU; and can update his ammunition inventory. This will complete the capabilities of the system menus.



06pc260tb

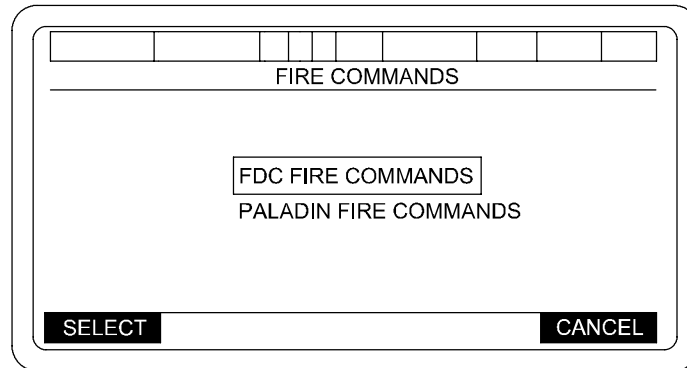


06pc261tf

O-8 PDFCS FIRE MISSION - CONTINUED

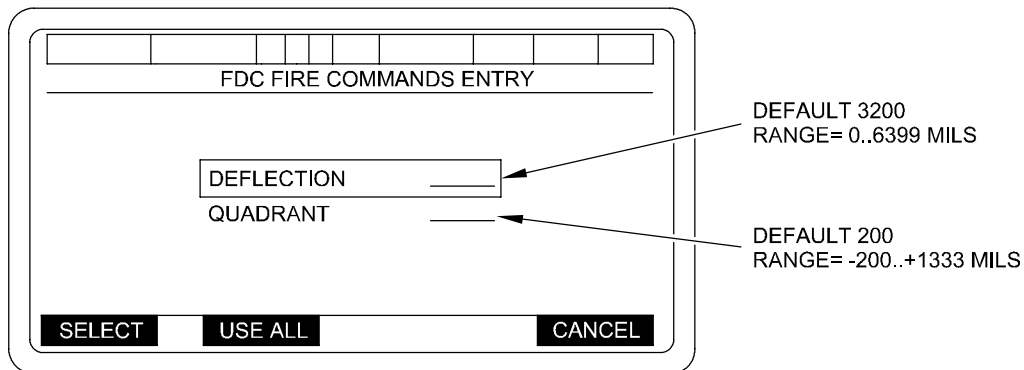
O-8.7 System Menus - Continued

O-8.7.1 Fire Commands. Selection of FIRE COMMANDS from the SETUP AND INFORMATION menu will result in display of the FIRE COMMANDS screen. Two options will be shown, FDC FIRE COMMANDS and PALADIN FIRE COMMANDS.



06pc204tc

O-8.7.1.1 FDC FIRE COMMANDS ENTRY screen.



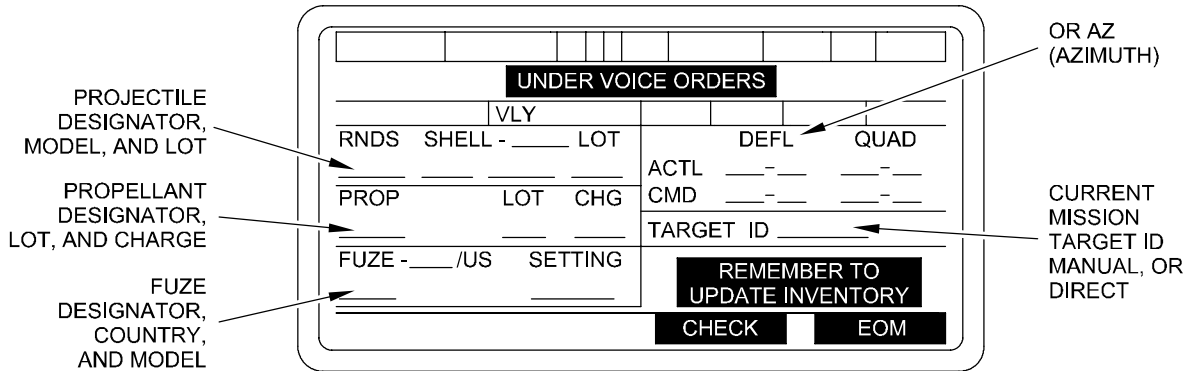
06pc204tb

- a. With the FIRE COMMANDS ENTRY screen displayed, box in DEFLECTION; press SELECT key; type in deflection; and press ENT key.
- b. Box in QUADRANT and press SELECT key. Type in quadrant and press ENT key.
- c. When correct fire command has been entered, press USE ALL key to display a FIRE MISSION screen with firing data in the COMMANDED (CMD) field.

O-8 PDFCS FIRE MISSION - CONTINUED

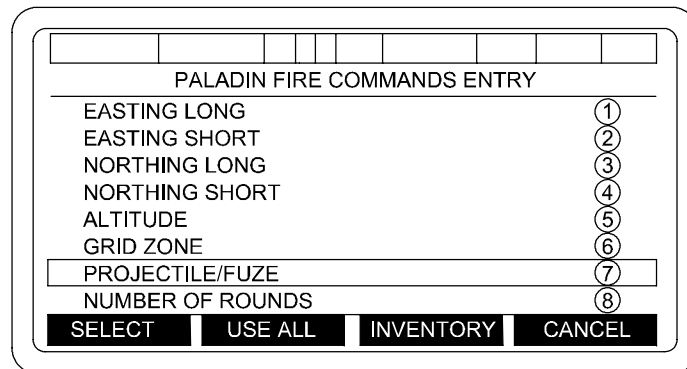
O-8.7 System Menus - Continued

O-8.7.1 Fire Commands - Continued



06pc144ta

- d. The fire mission is fired using normal procedures.
- e. When the voice order to end the mission is received, press the EOM key.
- f. Ammo accountability is then manually processed (para O-8.3).



06pc300tc

O-8.7.1.2 PALADIN FIRE COMMANDS ENTRY display. If selected, the Paladin will check the current ammunition inventory. If at least one Projectile/Fuze combination is present, the Paladin will display the PALADIN FIRE COMMANDS ENTRY screen.

NOTE

If no Projectile/Fuze combinations are found, Paladin will display "NO AMMO PRESENT" "ACK". Pressing ACK will return display to the SETUP AND INFORMATION menu. Refer to Table O-13.

O-8 PDFCS FIRE MISSION - CONTINUED

O-8.7 System Menus - Continued

O-8.7.1 Fire Commands - Continued

Table O-13. Paladin Fire Commands Entry Display

Field	Description	Conditions for display
1	EASTING LONG Range/Values: (1) 0-9 Default/Initial value: Paladin's entered location Units: Meters	(1) Defaults to the Paladin's current location. (2) Shall be editable.
2	EASTING SHORT Range/Values: (1) 0-99999 (2) - - - - - Default/Initial value: - - - - - Units: Meters	Note: Easting short fields shall be left justified. If the operator enters at least 1 digit and presses enter, the Paladin shall default remaining digits to the right with zeros. (1) Operator entered. (2) - - - - -
3	NORTHING LONG Range/Values: (1) 001-100 Default/Initial value: Paladin's entered location Units: Meters	(1) Defaults to the Paladin's current location. (2) Shall be editable.
4	NORTHING SHORT Range/Values: (1) 0-99999 (2) - - - - - Default/Initial value: Blank Units: Meters	Note: Northing short fields shall be left justified. If the operator enters at least 1 digit and presses enter, the Paladin shall default remaining digits to the right with zeros. (1) Operator entered. (2) - - - - -

O-8 PDFCS FIRE MISSION - CONTINUED

O-8.7 System Menus - Continued

O-8.7.1 Fire Commands - Continued

Table O-13. Paladin Fire Commands Entry Display - Continued

Field	Description	Conditions for display
5	<p>ALTITUDE</p> <p>Range/Values:</p> <p>(1) -400 to +9999</p> <p>(2) - - - - -</p> <p>Default/Initial value: Blank</p> <p>Units: Meters</p>	<p>(1) Operator entered.</p> <p>(2) - - - - -</p>
6	<p>GRID ZONE</p> <p>Range/Values:</p> <p>(1) +/- 1-60</p> <p>Default/Initial value: Paladin's entered grid zone</p>	<p>(1) Defaults to the Paladin's current location.</p> <p>(2) Shall be editable.</p>
7	<p>PROJECTILE/ FUZE</p> <p>Range/Values:</p> <p>(1) HE / Q</p> <p>(2) HE / TI</p> <p>(3) HE / VT</p> <p>(4) HE / D</p> <p>(5) HE / CP</p> <p>(6) HE / CPD</p> <p>(7) ICM / TI</p> <p>(8) WP / Q</p> <p>(9) WP / TI</p> <p>(10) SMK / TI</p> <p>(11) ILL / TI</p> <p>(12) - - - - -</p> <p>Default/Initial value: - - - - -</p>	<p>Note: The PROJECTILE / FUZE shall not be available until the target location (EASTING LONG, EASTING SHORT, NORTHING LONG and NORTHING SHORT) is entered and is calculated to be within 50,000 meters.</p> <p>(1) Operator selected.</p> <p>(2) Operator selected.</p> <p>(3) Operator selected.</p> <p>(4) Operator selected.</p> <p>(5) Operator selected.</p> <p>(6) Operator selected.</p> <p>(7) Operator selected.</p> <p>(8) Operator selected.</p> <p>(9) Operator selected.</p> <p>(10) Operator selected.</p> <p>(11) Operator selected.</p> <p>(12) Operator has not selected a PROJECTILE / FUZE.</p>

O-8 PDFCS FIRE MISSION - CONTINUED

O-8.7 System Menus - Continued

O-8.7.1 Fire Commands - Continued

Table O-13. Paladin Fire Commands Entry Display - Continued

Field	Description	Conditions for display
8	NUMBER OF ROUNDS Range/Values: (1) 1-99 (2) - - Default/Initial value: -----	Note: The NUMBER OF ROUNDS fields shall not be available until the target location (EASTING LONG, EASTING SHORT, NORTHING LONG and NORTHING SHORT) is entered and is calculated to be within 50,000 meters. (1) Operator entered. (2) Operator has not entered NUMBER OF ROUNDS.

O-8 PDFCS FIRE MISSION - CONTINUED

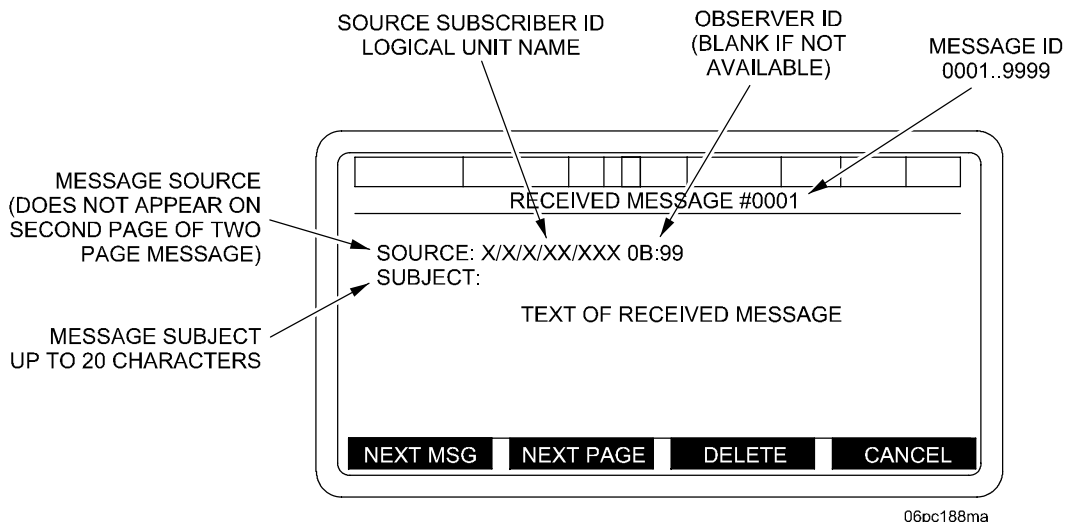
O-8.7 System Menus - Continued

O-8.7.2 Messages. The two types of PDFCS messages accessed from the SETUP AND INFORMATION menu are RECEIVED MSG and WARNING MSG. The received messages are ones received from the POC and the warning messages are generated by the PDFCS for system status. When there is a new message to read, a RCVD MSG (R) highlighted field 5 or WARN MSG (W) highlighted field 4 indicator will be displayed at the top of the screen. Access messages using the following procedures:

- Box in desired message on SETUP AND INFORMATION menu and press SELECT key to display a RECEIVED MESSAGE/SYSTEM WARNING MESSAGE.
- If more than one message is in the message queue, display next message by pressing the NEXT MSG key. If a message contains more than one page, display next page by pressing NEXT PAGE key.
- To return to the SETUP AND INFORMATION menu, press CANCEL key.

NOTE

- The PDFCS shall keep eight (8) messages in a buffer. If there are more than eight unviewed messages, the PDFCS shall discard the oldest and display the error message "MESSAGES HAVE BEEN LOST" "ACK" to the operator upon entry into the screen.
- The RECEIVED MESSAGE counter has a range from 0001 to 9999 and will reset on each power-up.



- NEXT MSG** = DISPLAY NEXT MESSAGE (WHEN ON THE LAST MESSAGE AND NEXT MSG IS PRESSED, THE DISPLAY SCROLLS TO THE FIRST MESSAGE IN THE BUFFER)
- NEXT PAGE** = DISPLAY NEXT PAGE (BLANKED IF NO NEXT PAGE)
- DELETE** = DELETE CURRENT MESSAGE (IF THERE ARE NO MORE MESSAGES, THEN "NO MORE MESSAGES" SHALL BE DISPLAYED)

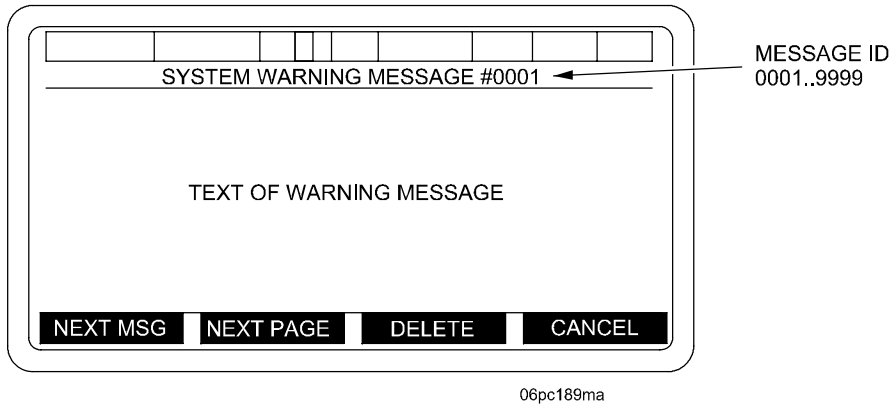
O-8 PDFCS FIRE MISSION - CONTINUED

O-8.7 System Menus - Continued

O-8.7.2 Messages - Continued

NOTE

The SYSTEM WARNING MESSAGE counter has a range from 0001 to 9999 and will reset on each power-up. If the counter reaches 9999, then the next WARNING MESSAGE number will be reset to 0001.

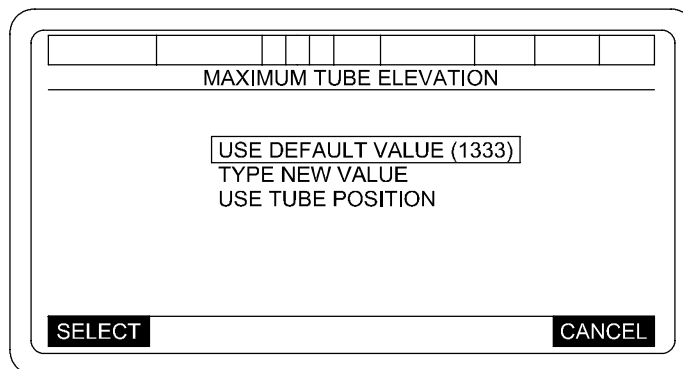


NEXT MSG = DISPLAY NEXT MESSAGE (WHEN ON THE LAST MESSAGE AND NEXT MSG IS PRESSED, THE DISPLAY SCROLLS TO THE FIRST MESSAGE IN THE BUFFER)

NEXT PAGE = DISPLAY NEXT PAGE (BLANKED IF NO NEXT PAGE)

DELETE = DELETE CURRENT MESSAGE (IF THERE ARE NO MORE MESSAGES THEN "NO MORE MESSAGES" IS DISPLAYED)

O-8.7.3 Maximum Tube Elevation. From the SET UP AND INFORMATION menu select "MAX TUBE EL" to input the maximum tube elevation.



- a. Entering MAXIMUM TUBE ELEVATION. If a maximum tube elevation is not entered, the default value as shown on the display will be entered automatically. If an elevation other than the default value is desired, the entry can be made by either of two methods:

O-8 PDFCS FIRE MISSION - CONTINUED

O-8.7 System Menus - Continued

O-8.7.3 Maximum Tube Elevation - Continued

NOTE

- Numerical value must be entered before sign. Default sign is (+).
 - The PDFCS will default to maximum tube elevation of 1333 mils unless a value or USE TUBE POSITION was selected since last power up or restart.
- (1) Box in TYPE NEW VALUE and depress SELECT to bring up a new MAXIMUM TUBE ELEVATION display. Enter required value for MAX TUBE EL and press ENT key.

A screenshot of a terminal display for 'MAXIMUM TUBE ELEVATION'. At the top is a header bar with ten empty boxes. Below it, the text reads: 'MAXIMUM TUBE ELEVATION', 'USE DEFAULT VALUE (1333)', 'TYPE NEW VALUE' (highlighted with a black box), 'USE TUBE POSITION', 'TYPE MAXIMUM TUBE ELEVATION IN MILS BETWEEN -200 AND 1333:', and a small box containing '---'. At the bottom, it says '-PRESS ENT KEY-' and has two buttons: '+/-' and 'CANCEL'.

06pc655m

- (2) Box in USE TUBE POSITION and press SELECT key to bring up a new MAXIMUM TUBE ELEVATION display. Using the COS or gunner's control handle, move tube to desired elevation and press ENT key.

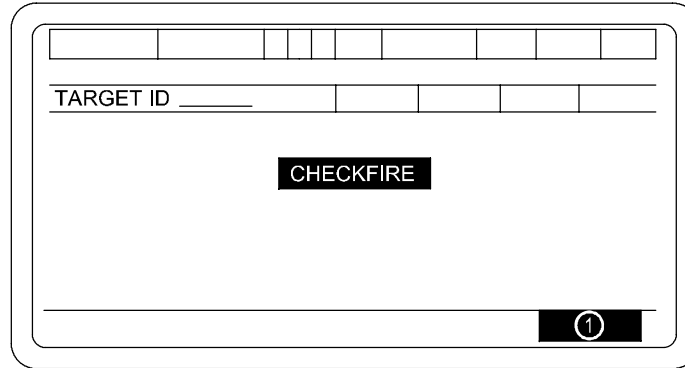
A screenshot of a terminal display for 'MAXIMUM TUBE ELEVATION'. At the top is a header bar with ten empty boxes. Below it, the text reads: 'MAXIMUM TUBE ELEVATION', 'USE DEFAULT VALUE (1333)', 'TYPE NEW VALUE', 'USE TUBE POSITION' (highlighted with a black box), 'MOVE TUBE TO MAXIMUM ELEVATION POSITION', and '-- PRESS ENT KEY --'. At the bottom right, there is a 'CANCEL' button.

06pc156ma

O-8 PDFCS FIRE MISSION - CONTINUED

O-8.7 System Menus - Continued

O-8.7.4 Send Checkfire. Selecting SEND CHECKFIRE will result in questions asked, "ARE YOU SURE", "YES" "NO". YES selection will cause all howitzer systems to be placed on CHECKFIRE. Only the POC/FDC can cancel the CHECKFIRE. NO selection = No action.



06pc145tb

① **EOM** - MISSION is direct or manual

ABORT - MISSION is not direct or manual

O-8.7.5 Stored Targets. The PDFCS can store up to ten targets. These targets can be reviewed for information concerning target number, rounds to be fired, shell, propellant, fuze, and method of control. To access the target summary, perform the following steps:

- Box in STORED TARGETS on SETUP AND INFORMATION menu and press SELECT key to display a STORED TARGET SUMMARY screen.
- If there is more than one page, press NEXT PAGE key to display next page.
- To return to SETUP AND INFORMATION menu, press CANCEL key.

STORED TARGET SUMMARY					
TARGET	RND	SHELL	PROP	FUZE	CONTROL
AA0001		HE			FPF
AA0340	6	ICM		TI	12:1430
AA0245	3				12:1545
	2	WP		TI	
AA0045	2	HEA A	M232	PDAD/US	WR
NEXT PAGE			CANCEL		

06pc145tc

NEXT PAGE = Shows next page. If last page, then shows first page. (Blanked if only one page or no targets).

- Paladin will store the shell and/or fuze model as received and display that data based on its associated generic type. SHELL values are HE, ICM, WP, SMK, ILL, CPH and SAD. FUZE values are PD, TI, VT, D, CP or CPD. If shell is specified XM982 or M982 the Paladin will display PGM. Shell model numbers are shown in Table O-14. Fuze model numbers are shown in Table O-15.

O-8 PDFCS FIRE MISSION - CONTINUED

O-8.7 System Menus - Continued

O-8.7.5 Stored Targets - Continued

Table O-14. Shell Model Numbers

<u>HE SHELLS</u>	<u>ICM SHELLS</u>	<u>WP SHELLS</u>	<u>SMK SHELLS</u>	<u>ILL SHELLS</u>	<u>CPH SHELL</u>	<u>SAD SHELL</u>
M795	M483A1	M110	M116A1/HC	M485A1	M712	M898
M107DC	M864	M110A1	M116C1	M485A2		DM702
M107DCBG	M864A1	M110A2	M116C2	NR109		DM702A1
M107DCB2	M449A1	M110E2	DM45A1			O155ACF1
M107DCC1	M718	M110C1				155BONUS
NM28DC	M718A1	M825				
OE56DC	M741	M825A1				
OE69DC	M741A1					
DM21DC	M692					
M107NC	M731					
M107NCBG						
M107NCB2						
M107NCC1						
NM28NC						
OE56NC						
OE69NC						
DM21NC						
M549						
M549A1						

Table O-15. Fuze Model Numbers

<u>PD FUZES</u>	<u>TI FUZE</u>	<u>VT FUZE</u>	<u>D FUZE</u>	<u>CP/CPD FUZE</u>
M51A4	M767	M732A2	M51A4	M78
M51A5	M767A1	M732	M51A5	M78A1
M557	M762	M728	M557	DM371
PDM557	M762A1	M782	PDM557	MK399
M557C1	M564	M514	M557C1	
M572	M577		M739	
M739	M577A1		M739A1	
M739A1	M565		M782	
M782	M582		DM211	
DM211	M582A1		DM241	
DM241	M782		M572	
L32A2	M548		L85A2	
L32A3			L106A2	
L32A4			L106A3	
L85A2			L112A1	
L106A1				
L106A2				
L106A3				
L112A1				

O-8 PDFCS FIRE MISSION - CONTINUED

O-8.7 System Menus - Continued

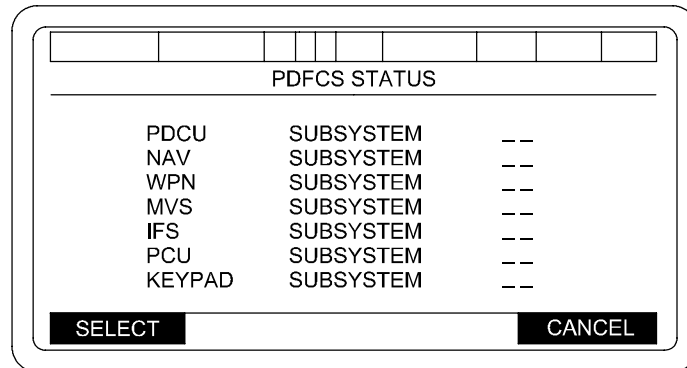
O-8.7.5 Stored Targets - Continued

NOTE

- If no targets are stored in the Stored Target buffer, then the PDFCS shall display "NO STORED TARGETS".
- Shell and fuze entries will be blank if the stored mission arrives from the FDC with unspecified ammunition and is not an FPF mission (as shown above in target ID AA0245).
- Targets with RND (rounds) over 99 are displayed with **.

O-8.7.6 PDFCS Status. To display the PDFCS SUBSYSTEM STATUS, proceed as follows:

- a. Box in PDFCS STATUS on SETUP AND INFORMATION menu and press SELECT to display the PDFCS STATUS screen.
- b. Cursor and select an PDFCS subsystem to view the subsystems. With the exception of the IFS SUBSYSTEM, the status of each subsystem will be displayed either "OK" or "FAIL".
- c. IFS SUBSYSTEM status values are shown in Table O-17.
- d. To return to the SETUP AND INFORMATION menu, press CANCEL key.

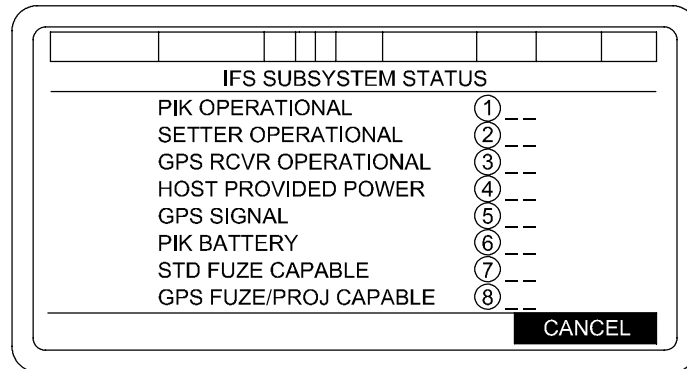


06pc638mb

O-8 PDFCS FIRE MISSION - CONTINUED

O-8.7 System Menus - Continued

O-8.7.6 PDFCS Status - Continued



06pc300te

Table O-16. IFS Subsystem Status Display

Field	Description	Conditions for display
1	PIK OPERATIONAL Range/Values: (1) -- (2) DISC (3) FAIL (4) YES	(1) Status not determined. (2) PIK disconnected. (3) Failed operational BIT. (4) Passed operational BIT
2	SETTER OPERATIONAL Range/Values: (1) -- (2) DISC (3) FAIL (4) YES	(1) Status unknown due to PIK OPERATIONAL is not determined or is DISC or FAIL. (2) Setter power, PIK-Setter cable, Setter or PIK disconnected. (3) Failed operational BIT. (4) Passed operational BIT.
3	GPS RCVR OPERATIONAL Range/Values: (1) -- (2) DISC (3) FAIL (4) YES	(1) Status unknown due to PIK OPERATIONAL is not determined or is DISC or FAIL. (2) GPS RCVR (DAGR) is disconnected from the PIK. (3) Failed operational BIT. (4) Passed operational BIT.

O-8 PDFCS FIRE MISSION - CONTINUED

O-8.7 System Menus - Continued

Table O-16. IFS Subsystem Status Display - Continued

Field	Description	Conditions for display
4	HOST PROVIDED POWER Range/Values: (1) -- (2) OK (3) LOW	(1) Status unknown due to PIK OPERATIONAL is not determined or is DISC or FAIL. (2) Host power is sufficient to operate the PIK and set GPS fuze/projectile. (3) Host power is sufficient to operate the PIK, but not sufficient to set a GPS fuze/projectile.
5	GPS SIGNAL Range/Values: (1) -- (2) GOOD (3) POOR (4) DISC	(1) Status unknown due to PIK OPERATIONAL is not determined, DISC or FAIL or the DAGR is DISC or FAIL. (2) DAGR is operational and signal is good. (3) DAGR is operational but, signal is degraded. (sky view shaded, jamming, damaged or poor connection of DAGR cable or antenna) (4) Antenna cable, antenna is disconnected.
6	PIK BATTERY Range/Values: (1) -- (2) GOOD (3) BAD	(1) Status unknown due to PIK OPERATIONAL is not determined or is DISC or FAIL. (2) PIK Battery is good. (3) PIK Battery is low.
7	STD FUZE CAPABLE Range/Values: (1) -- (2) YES (3) NO	(1) Status unknown due to PIK OPERATIONAL is not determined or is DISC or FAIL. (2) The PIK is capable of setting standard fuzes. (3) The PIK is <u>NOT</u> capable of setting standard fuzes.
8	GPS FUZE/PROJ CAPABLE Range/Values: (1) -- (2) YES (3) NO	(1) Status unknown due to PIK OPERATIONAL is not determined or is DISC or FAIL. (2) The PIK is capable of setting GPS fuze/projectiles. (3) The PIK is <u>NOT</u> capable of setting GPS fuze/projectiles.

O-8 PDFCS FIRE MISSION - CONTINUED

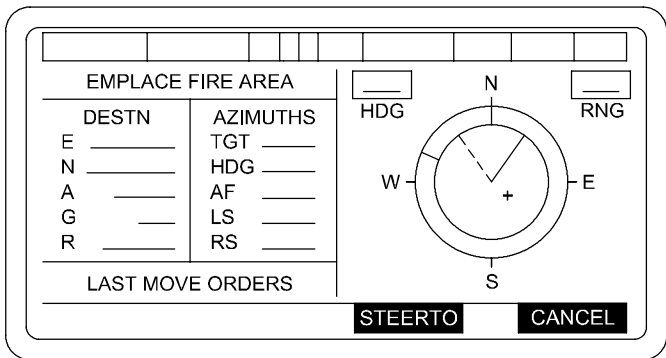
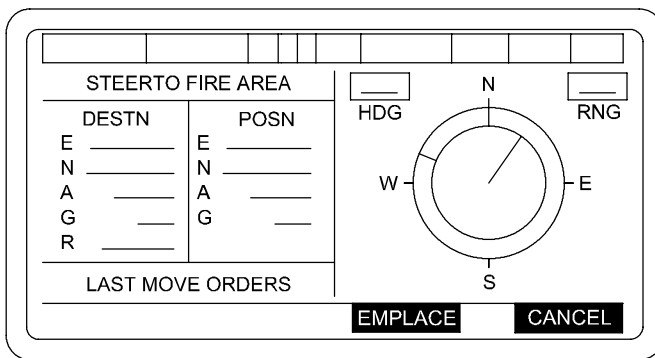
O-8.7 System Menus - Continued

O-8.7.7 Last Move Orders. To display the last move orders received by the PDFCS, proceed as follows:

- Box in LAST MOVE ORDERS on SETUP AND INFORMATION menu and press SELECT key. A STEERTO FIRE AREA screen will be displayed showing LAST MOVE ORDERS.
- Press the EMPLACE key to display an EMPLACE FIRE AREA screen showing LAST MOVE ORDERS.
- From STEERTO FIRE AREA or EMPLACE FIRE AREA screen, the SETUP AND INFORMATION menu can be reached by pressing the CANCEL key.

NOTE

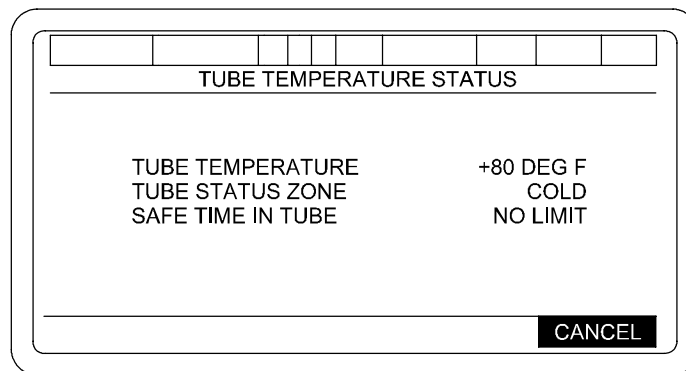
This will not be available after the first Survivability Move.



06pc192mb

O-8.7.8 Tube Temperature. The TUBE TEMPERATURE STATUS is shown on the FIRE MISSION screen as COLD, WARM, or HOT; and a time is displayed which indicates how long a complete round may remain in the tube. TUBE TEMPERATURE STATUS can also be displayed as follows:

- Box in TUBE TEMPERATURE on SETUP AND INFORMATION menu and press SELECT key.
- A TUBE TEMPERATURE screen will be displayed showing TEMPERATURE STATUS (COLD, WARM, HOT), and SAFE TIME IN TUBE.
- To return to SETUP AND INFORMATION menu, press CANCEL key.



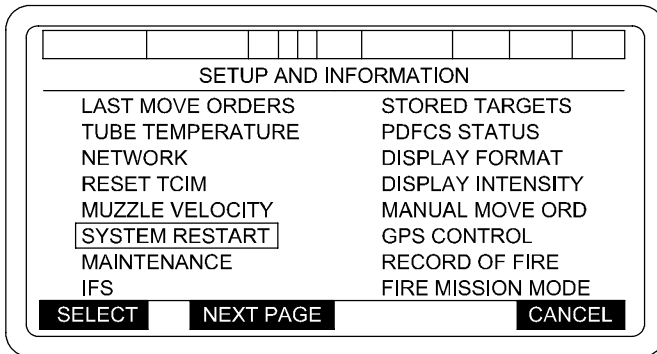
06pc193ma

O-8 PDFCS FIRE MISSION - CONTINUED

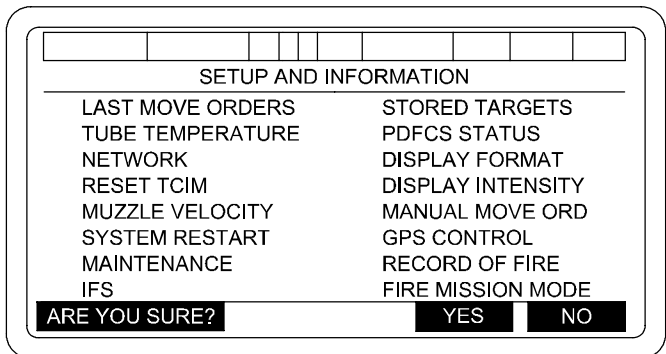
O-8.7 System Menus - Continued

O-8.7.9 System Restart. To do a SYSTEM RESTART without shutting the system off and powering back up, proceed as follows:

- a. Box in SYSTEM RESTART on SETUP AND INFORMATION menu and press SELECT key. A prompt will be displayed, "ARE YOU SURE" "YES" "NO".
- b. The system will restart at a POWER UP STATUS.
- c. INITIALIZATION must be performed.



06pc261f



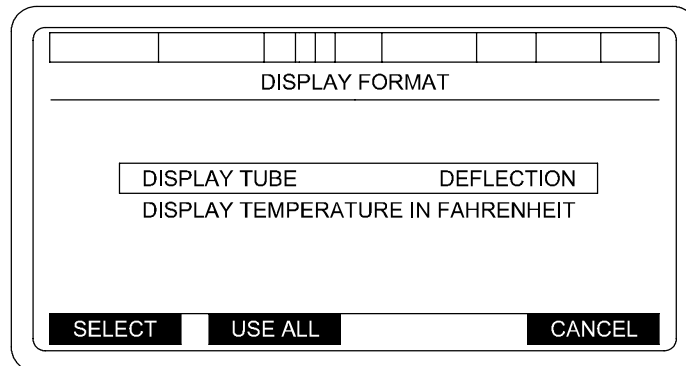
06pc261g

O-8 PDFCS FIRE MISSION - CONTINUED

O-8.7 System Menus - Continued

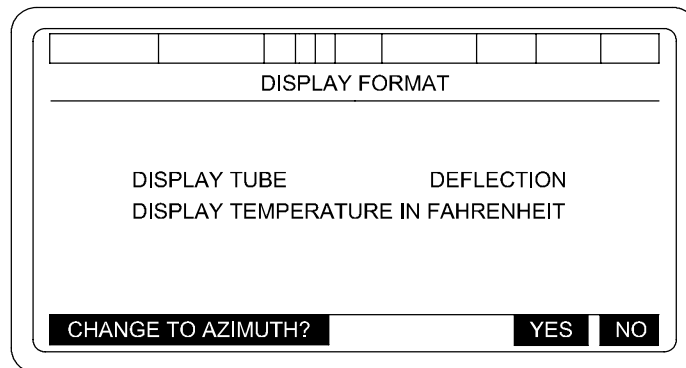
O-8.7.10 Display Format. This function is used to change the display of the tube position from AZIMUTH to DEFLECTION, and vice versa; or the TEMPERATURE STATUS display from Fahrenheit to Celsius, and vice versa. This display format is changed as follows:

- a. Box in DISPLAY FORMAT on SETUP AND INFORMATION menu and press SELECT key to display a DISPLAY FORMAT screen.



06pc196ma

- b. To change deflection, box in DISPLAY TUBE DEFLECTION and press SELECT to display another DISPLAY FORMAT screen.
- c. This screen asks the question: CHANGE TO AZIMUTH/DEFLECTION? Press the appropriate softkey, YES or NO. This will return the display to the original DISPLAY FORMAT screen.



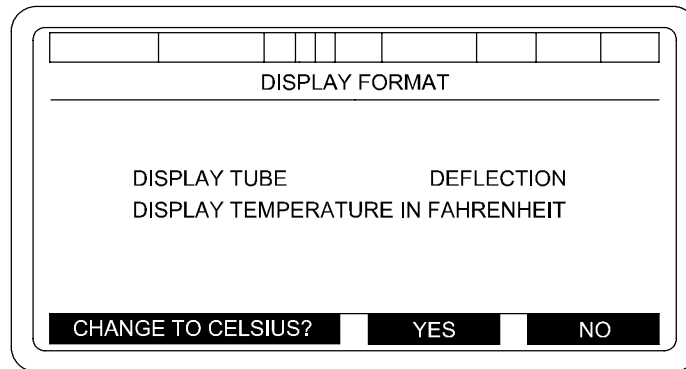
06pc197ma

O-8 PDFCS FIRE MISSION - CONTINUED

O-8.7 System Menus - Continued

O-8.7.10 Display Format - Continued

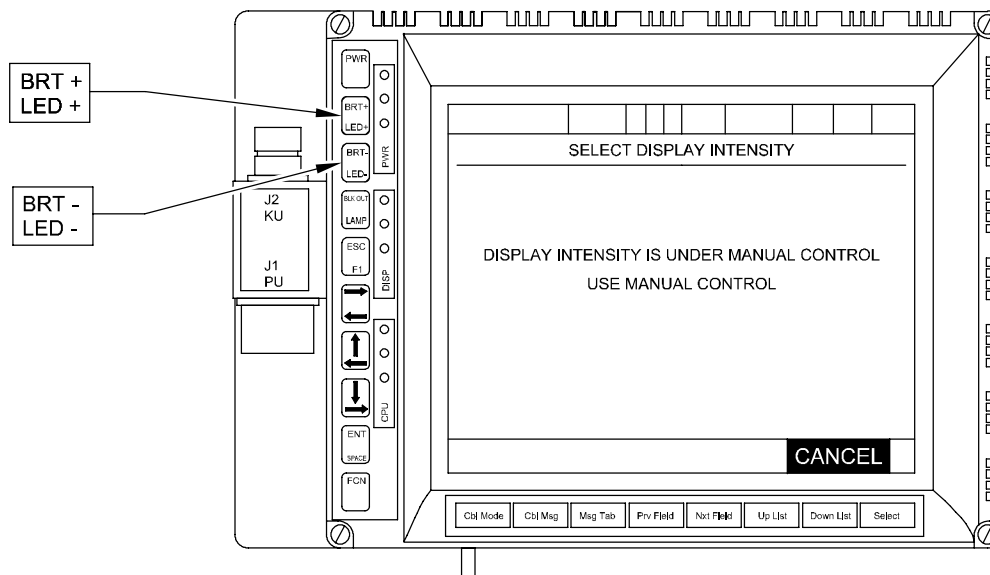
- d. To change the temperature display, box in DISPLAY TEMPERATURE IN FAHRENHEIT and press SELECT key to display another DISPLAY FORMAT screen.
- e. Answer screen question CHANGE TO CELSIUS? by pressing appropriate softkey.



06pc198m

- f. When original DISPLAY FORMAT screen is displayed, press USE ALL key to return to SETUP AND INFORMATION menu.

O-8.7.11 Display Intensity. Display intensity is set using the buttons on the left side of the PDFCS PDU. If DISPLAY INTENSITY on SETUP AND INFORMATION menu is selected, the following screen will be displayed.



06pc653m

O-8 PDFCS FIRE MISSION - CONTINUED

O-8.7 System Menus - Continued

O-8.7.12 Manual Move Order. When it is necessary to move the howitzer without a move order from the POC, enter the movement data as follows:

- Box in MANUAL MOVE ORDER on SETUP AND INFORMATION menu and depress SELECT key to display a MANUAL MOVE ORDER ENTRY screen.
- Enter data by boxing in each data field and then typing in desired data. As each field is filled, press ENT key to enter data.
- When all data has been entered, press USE ALL key. This will cause the SETUP AND INFORMATION screen to be displayed with MOVE ORD at the top. Press CANCEL key to display the MOVE ORDER screen (STEERTO or EMLPLACE).

MANUAL MOVE ORDER ENTRY

EASTING -----

NORTHING ----- RANGE

ALTITUDE -----

GRID ZONE --

HEMISPHERE NORTH

DEST TYPE -----

SELECT USE ALL CANCEL

06pc262t

NOTE

- If the Move Order coordinates are outside the Map Mod, no PDFCS warning message will be issued. All Move Order coordinates should be checked with a map spot, or through some other secondary means to insure they are within the current Map Mod.
- If the Move Order coordinates are in an adjacent Grid Zone, the PDFCS will automatically convert these coordinates to the Map Mod Grid Zone. Once the STEER TO screen is displayed, the entered coordinates will be converted to the Map Mod Grid Zone. If a map spot is performed, the Map Mod Grid Zone will need to be extended into the adjacent Grid Zone.
- If Destination Type is to a FIRING POINT, Operator must input SECTOR OF FIRE prior to inputting a Manual Move Order.

O-8 PDFCS FIRE MISSION - CONTINUED

O-8.7 System Menus - Continued

O-8.7.12 Manual Move Order - Continued

NOTE - CONTINUED

- Destination Types are: LOG POINT (for resupply), INIT POINT (for survey control point) and FIRE POINT.
- If DO NOT MOVE was on the screen before you start this move, the PDFCS will notify FDC that the howitzer is moving.
- RANGE shows the distance to the entered point from the current location based on easting and northing. It is not operator selectable. Move order distance will only be displayed up to 99,999 meters. If the value is 100,000 to 350,000 meters, "*****" will be displayed. If the value is more than 350,000 meters you will receive an error message, "DISTANCE EXCEEDS 350 KM" "ACK".
- If the position entered is above 84 degrees north or below 80 degrees south the entry will be rejected and you will receive an error message, "POSITION IS NOT VALID" "ACK".

O-8.7.13 GPS Control. Used to enhance positioning. The POC will instruct you when to use GPS Control.

NOTE

Use according to unit SOP.

- Select either USE GPS AIDING or USE ONLY CODED GPS DATA.
- You will receive the following operator prompts.

The screenshot shows a rectangular menu titled "GPS CONTROL". At the top, there is a header bar with several small, empty rectangular boxes. Below the header, the text "GPS CONTROL" is centered. Underneath, there are two lines of text: "USE GPS AIDING" followed by "YES" and "USE ONLY CODED GPS DATA" followed by "YES". At the bottom of the menu, there are three buttons: "SELECT", "USE ALL", and "CANCEL".

06pc201ma

OPERATOR PROMPTS (ON softkey LINE):

1. WHEN GPS AIDING SELECTED:

A horizontal row of three softkey buttons: "USE GPS AIDING?", "YES", and "NO".

2. WHEN USE ONLY CODED GPS DATA SELECTED:

A horizontal row of three softkey buttons: "USE ONLY CODED GPS?", "YES", and "NO".

NOTE: VALUES SHOWN ARE SYSTEM SUPPLIED DEFAULTS.

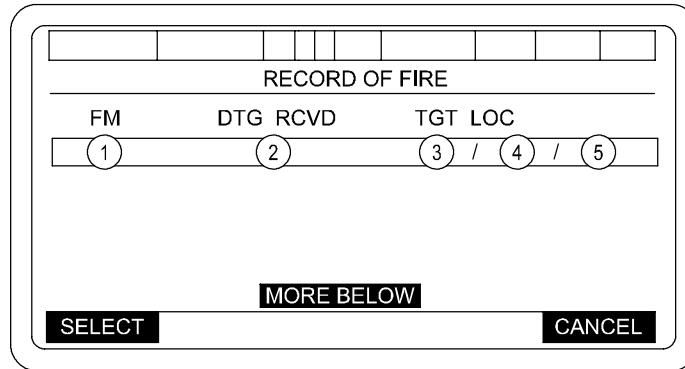
O-8 PDFCS FIRE MISSION - CONTINUED

O-8.7 System Menus - Continued

O-8.7.14 Record of Fire.

NOTE

- See Table O-17 for fields ① thru ⑤ criteria.
- When more than one page is required to display choices, MORE BELOW and/or MORE ABOVE may be used to navigate between screens.



06pc191lg

NOTE

If there are no targets in the Record of Fire, the SELECT softkey will not be available.

SELECT

: View firing data for a particular target

CANCEL

: Return to SETUP AND INFORMATION menu

Mission data displayed in order from latest received to earliest

The following default criteria for FDC computed fire missions shall appear in the RECORD OF FIRE displays.

- MET (CURRENT NVM)
- POWDER TEMPERATURE (CURRENT NVM)
- MVV (-99.9)
- REGISTRATION DATA (NO DATA IS DISPLAYED)
- TARGET LOCATION AND ELEVATION (ZEROS)

O-8 PDFCS FIRE MISSION - CONTINUED

O-8.7 System Menus - Continued

O-8.7.14 Record of Fire - Continued

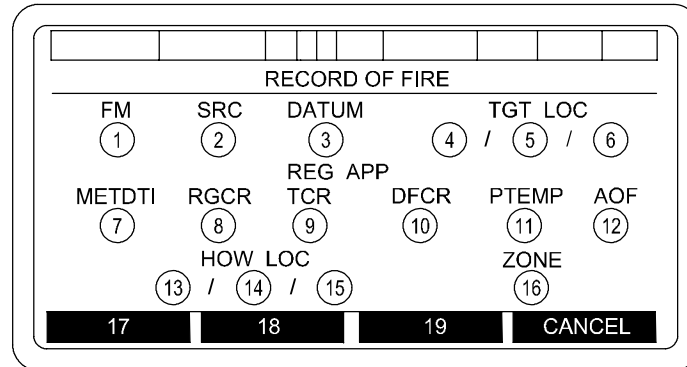
Table O-17. Record of Fire Select Target Display

Field	Description	Conditions for display
1	FM Range/Values: (1) MANUAL (2) DIRECT (3) AA0000- ZZ9999 (4) Blank	(1) Indicates that an FDC Fire Commands mission was fired from the Paladin. (2) Indicates that the Paladin has fired a mission in Direct Fire mode. (3) Range values for target number received from the system initiating the Fire Mission, or Fire Commands initiated by the operator. (4) Indicates that there are no fire missions in the Record of Fire.
2	DTG Range/Values: (1) YYMMDDHH MM (2) Blank	(1) The DTG Fire Mission was received. (2) There are no fire missions in the record of fire.
3	Target Location Easting Range/Values: (1) 000000- 999999 (2) Blank	(1) Easting of the target location. (2) Indicates that the Paladin has fired an FDC FIRE COMMANDS Fire Mission or there are no fire missions in the Record of Fire.
4	Target Location Northing Range/Values: (1) 0-9999999 (2) Blank	(1) Northing of the target location. (2) Indicates that the Paladin has fired an FDC FIRE COMMANDS Fire Mission or there are no fire missions in the Record of Fire.
5	Target Location Altitude Range/Values: (1) -400 to +9999 (2) Blank	(1) Altitude of the target location. (2) Indicates that the Paladin has fired an FDC FIRE COMMANDS Fire Mission or there are no fire missions in the Record of Fire.

O-8 PDFCS FIRE MISSION - CONTINUED

O-8.7 System Menus - Continued

O-8.7.14 Record of Fire - Continued



06pc191th

Table O-18. Record of Fire Display

Field	Description	Conditions for display
1	FM Range/Values: (1) MANUAL (2) DIRECT (3) AA0000-ZZ9999 Resolution: NA Default/Initial: NA Units: NA	(1) FDC FIRE COMMANDS computed mission was fired from the Paladin. (2) Paladin has fired a mission in Direct Fire mode. (3) Range values for target number received from FDC/Additional subscriber initiating the Fire Mission, or Paladin Fire Commands initiated by the operator.
2	SRC (Source of Mission) Range/Values: (1) FDC (2) OPR (3) OTH Resolution: NA Default/Initial: NA Units: NA	(1) Fire Mission was sent digitally from the FDC. (2) Fire Mission is a FDC FIRE COMMANDS, DIRECT, or PALADIN FIRE COMMANDS Fire Mission. (3) Fire Mission is received from an additional subscriber to the Paladin (i.e. not the FDC or backup FDC).

O-8 PDFCS FIRE MISSION - CONTINUED

O-8.7 System Menus - Continued

O-8.7.14 Record of Fire - Continued

Table O-18. Record of Fire Display - Continued

Field	Description	Conditions for display
3	DATUM Range/Values: (1) See appendix J.1-1 Spheroid and Datum table (not selectable by the operator on this display). Resolution: NA Default/Initial: NA Units: NA	(1) Paladin will display the DATUM.
4	Target Location Easting Range/Values: (1) 000000-999999 (2) Blank Resolution: NA Default/Initial: Blank Units: NA	(1) Easting of the target location. (2) Indicates that the Paladin has fired an FDC FIRE COMMANDS Fire mission.
5	Target Location Northing Range/Values: (1) 0-9999999 (2) Blank Resolution: NA Default/Initial: Blank Units: NA	(1) Northing of the target location. (2) Indicates that the Paladin has fired an FDC FIRE COMMANDS Fire Mission.

O-8 PDFCS FIRE MISSION - CONTINUED

O-8.7 System Menus - Continued

O-8.7.14 Record of Fire - Continued

Table O-18. Record of Fire Display - Continued

Field	Description	Conditions for display
6	Target Location Altitude Range/Values: (1) -400 through +9,999 (2) Blank Resolution: NA Default/Initial: Blank Units: NA	(1) Altitude of the target location. (2) Indicates that the Paladin has fired an FDC FIRE COMMANDS Fire Mission.
7	METDTI (Metrological Correction) Range/Values (1) DDHH.M (where DD represents Day where HH represents Hour and M represents tenths of minutes. (2) 1 0.0 Resolution: NA Default/Initial: NA Units: NA	(1) Date Time Group of the MET message that was applied to the Fire Mission. (2) No MET message was received.
8	RGCR (Range Correction) Range/Values: (1) -4095 to 4095 (2) 0 Resolution: NA Default/Initial: 0 Units: Meters	(1) A registration range correction was applied by the Paladin to the Fire Mission. (2) There was no range correction applied by the Paladin or the mission is an FDC computed Fire Mission or FDC FIRE COMMANDS Fire Mission.

O-8 PDFCS FIRE MISSION - CONTINUED

O-8.7 System Menus - Continued

O-8.7.14 Record of Fire - Continued

Table O-18. Record of Fire Display - Continued

Field	Description	Conditions for display
9	TCR (Time Correction) Range/Values (1) -9.9 to 9.9 (2) 0.00 Resolution: NA Default/Initial: 0.00 Units: Seconds	(1) A registration time correction was applied by the Paladin to the Fire Mission. (2) There was no time correction applied by the Paladin or the mission is an FDC computed Fire Mission or an FDC FIRE COMMANDS Fire Mission.
10	DFCR (Deflection Correction) Range/Values (1) L 999 to R 999 (2) 0.00 Resolution: NA Default/Initial: 0.00 Units: Mils	(1) A registration deflection correction was applied by the Paladin to the Fire Mission. (2) There was no time correction applied by the Paladin or the mission is an FDC computed Fire Mission or an FDC FIRE COMMANDS Fire Mission.
11	PTEMP Range/Values (1) -40 to 145 F Resolution: NA Default/Initial: 70 Units: Degrees	(1) Propellant Temperature at the time the Fire Mission was processed.
12	AOF Range/Values (1) 0-6399 Resolution: NA Default/Initial: NA Units: Mils	(1) Azimuth of Fire at the time the mission was fired.
13	Howitzer Location Easting Range/Values: (1) 1 to 999999 Resolution: NA Default/Initial: Blank Units: NA	(1) Easting location of the Paladin during the Fire Mission.

O-8 PDFCS FIRE MISSION - CONTINUED

O-8.7 System Menus - Continued

O-8.7.14 Record of Fire - Continued

Table O-18. Record of Fire Display - Continued

Field	Description	Conditions for display
14	Howitzer Location Northing Range/Values: (1) 0 to 9999999 Resolution: NA Default/Initial: Blank Units: NA	(1) Northing location of the Paladin during the Fire Mission.
15	Howitzer Location Altitude Range/Values: (1) -400 to +9,999 Resolution: NA Default/Initial: Blank Units: NA	(1) Altitude of the Paladin during the Fire Mission.
16	Zone Range/Values (1) 1 to 60 (2) -1 to -60 Resolution: NA Default/Initial: Blank Units: NA	(1) Grid zone that the Paladin was located in during the Fire Mission (Northern Hemisphere). (2) Grid zone that the Paladin was located in during the Fire Mission (Southern Hemisphere).
17	ADJ Range/Values (1) ADJ (2) Blank Resolution: NA Default/Initial: Blank Units: NA	(1) There is an adjust phase for the mission or when the mission ended before the Fire For Effect phase began. (2) No adjust phase for the mission.

O-8 PDFCS FIRE MISSION - CONTINUED

O-8.7 System Menus - Continued

O-8.7.14 Record of Fire - Continued

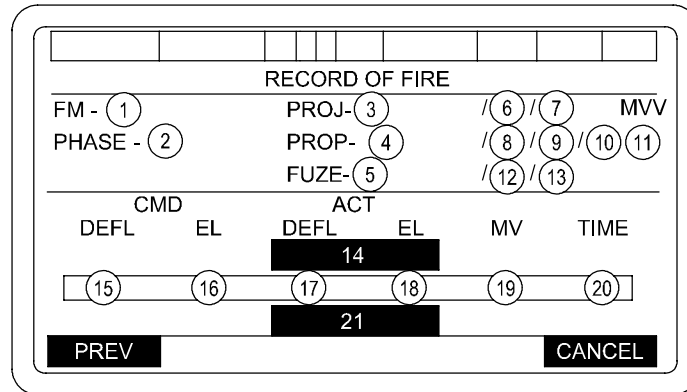
Table O-18. Record of Fire Display - Continued

Field	Description	Conditions for display
18	FFE1 Range/Values: (1) FFE1 (2) Blank Resolution: NA Default/Initial: Blank Units: NA	(1) FFE1 phase during a mission. (2) Fire Mission is an FDC FIRE COMMANDS or DIRECT or there was no FFE1 phase.
19	FFE2 Range/Values: (1) FFE2 (2) Blank Resolution: NA Default/Initial: Blank Units: NA	(1) There was a second Fire for Effect phase for the mission. (2) There was no FFE2 phase for the mission.

O-8 PDFCS FIRE MISSION - CONTINUED

O-8.7 System Menus - Continued

O-8.7.14 Record of Fire - Continued



06pc191ti

- PREV** : Returns to previous screen for viewing pre-shot data of different phase
- CANCEL** : Return to RECORD OF FIRE menu

Table O-19. Record of Fire Data Display

Field	Description	Conditions for display
1	<p>FM</p> <p>Range/Values:</p> <p>(1) MANUAL</p> <p>(2) DIRECT</p> <p>(3) AA0000-ZZ9999</p> <p>Resolution: NA</p> <p>Default/Initial: Blank</p> <p>Units: NA</p>	<p>(1) An operator initiated FDC FIRE COMMANDS computed mission was fired from the Paladin.</p> <p>(2) A mission was fired in Direct Fire mode.</p> <p>(3) Range values for target number received from FDC or additional subscribers initiating the Fire Mission, or Paladin Fire Commands initiated by the operator.</p>
2	<p>PHASE</p> <p>Range/Values:</p> <p>(1) ADJ</p> <p>(2) FFE1</p> <p>(3) FFE2</p> <p>Resolution: NA</p> <p>Default/Initial: Blank</p> <p>Units: NA</p>	<p>(1) Adjust Fire phase.</p> <p>(2) Fire for Effect 1 phase.</p> <p>(3) Fire for Effect 2 phase.</p>

O-8 PDFCS FIRE MISSION - CONTINUED

O-8.7 System Menus - Continued

O-8.7.14 Record of Fire - Continued

Table O-19. Record of Fire Data Display - Continued

Field	Description	Conditions for display
3	PROJ Range/Values: (1) PROJ (shell) model only (see table O-6 for US munitions) Resolutions: NA Default/Initial: Blank Units: NA	(1) Initial projectile fired during the selected phase (ADJ, FFE1, or FFE2) of the Fire Mission.
4	PROP Range/Values (1) PROP model only (see table O-6 for US munitions) Resolution: NA Default/Initial: Blank Units: NA	(1) Initial propellant fired during the selected phase (ADJ, FFE1, or FFE2) of the Fire Mission.
5	FUZE Range/Values: (1) FUZE model only (see table O-6 for US munitions) (2) Blank Resolution: NA Default/Initial: Blank Units: NA	(1) Initial fuze fired during the selected phase (ADJ, FFE1, or FFE2) of the Fire Mission. (2) Projectile XM982, M982, or M712 (Copperhead) was fired.

O-8 PDFCS FIRE MISSION - CONTINUED

O-8.7 System Menus - Continued

O-8.7.14 Record of Fire - Continued

Table O-19. Record of Fire Data Display - Continued

Field	Description	Conditions for display
6	Projectile Lot Range/Values: (1) A-Z Resolution: NA Default/Initial: Blank Units: NA	(1) Projectile lot designator of the projectile fired during the selected phase (ADJ, FFE1, or FFE2) of the Fire Mission.
7	Projectile CC (Country Code) Range/Values: (1) Projectile CC (see table O-6 for US munitions) Resolution: NA Default/Initial: Blank Units: NA	(1) CC of the projectile fired during the selected phase (ADJ, FFE1, or FFE2) of the Fire Mission.
8	Propellant Lot Range/Values: (1) A-Z Resolution: NA Default/Initial: Blank Units: NA	(1) Propellant lot designator of the propellant fired during the selected phase (ADJ, FFE1, or FFE2) of the Fire Mission.
9	Propellant Charge Range/Values: (1) Prop charge only (see table O-6 for US munitions) Resolution: NA Default/Initial: Blank Units: NA	(1) Propellant charge of the propellant fired during the selected phase (ADJ, FFE1, or FFE2) of the Fire Mission.

O-8 PDFCS FIRE MISSION - CONTINUED

O-8.7 System Menus - Continued

O-8.7.14 Record of Fire - Continued

Table O-19. Record of Fire Data Display - Continued

Field	Description	Conditions for display
10	Propellant CC (Country Code) Range/Values: (1) Projectile CC (see table O-6 for US munitions) Resolution: NA Default/Initial: NA Units: NA	(1) Propellant Country Code for the propellant fired during the selected phase (ADJ, FFE1, or FFE2) of the Fire Mission.
11	MVV Range/Values: (1) -99.9 to 99.9 Resolution: NA Default/Initial: 0.0 Units: NA	(1) Total MVV applied to the selected phase (ADJ, FFE1, or FFE2) of the Fire Mission.
12	Fuze Setting Range/Values: (1) PD (2) DLY (3) VT (4) 00.0 to 500.0 (5) NN PPP Resolution: NA Default/Initial: 0.0	(1) Fuze is fired with a PD setting during the selected phase (ADJ, FFE1, or FFE2) of the Fire Mission. (2) Fuze is fired with a DLY setting during the selected phase (ADJ, FFE1, or FFE2) of the Fire Mission. (3) XM982 or M982 is fired with a VT setting during the selected phase (ADJ, FFE1, or FFE2) of the Fire Mission. (4) Fuze time setting for the initial round of the selected phase (ADJ, FFE1, or FFE2) of the Fire Mission. (5) NN PPP (where NN is the fuze setting and PPP is the Pulse Repetition Frequency Code.)
13	FUZE CC (Country Code) Range/Values (1) FUZE CC (see table O-6 for US munitions) Resolution: NA Default/Initial: NA Units: NA	(1) Fuze country code of the fuze fired during the selected phase (ADJ, FFE1, or FFE2) of the Fire Mission.

O-8 PDFCS FIRE MISSION - CONTINUED

O-8.7 System Menus - Continued

O-8.7.14 Record of Fire - Continued

Table O-19. Record of Fire Data Display - Continued

Field	Description	Conditions for display
14	MOVE ABOVE Range/Values: (1) MORE ABOVE (2) DATA (for rounds shot) Resolution: NA Default/Initial: Blank Units: NA	(1) Used to navigate between screens when there is more DATA that can be viewed on this display by scrolling. (2) Most recent DATA (up to the tenth shot) when there are no more than 4 recorded rounds fired for the selected phase or when scrolling is enabled.
15	CMD DEFL Range/Values: (1) 0.0 through 6399.9 Resolution: NA Default/Initial: Blank Units: Mils	(1) Command deflection for each round.
16	CMD EL Range/Values: (1) -200.0 through +1333.0 Resolution: NA Default/Initial: Blank Units: Mils	(1) Command elevation for each round.
17	ACT DEFL Range/Values: (1) 0.0 through 6399.9 Resolution: NA Default/Initial: Blank Units: Mils	(1) Actual deflection for each round at the time shot was detected.

O-8 PDFCS FIRE MISSION - CONTINUED

O-8.7 System Menus - Continued

O-8.7.14 Record of Fire - Continued

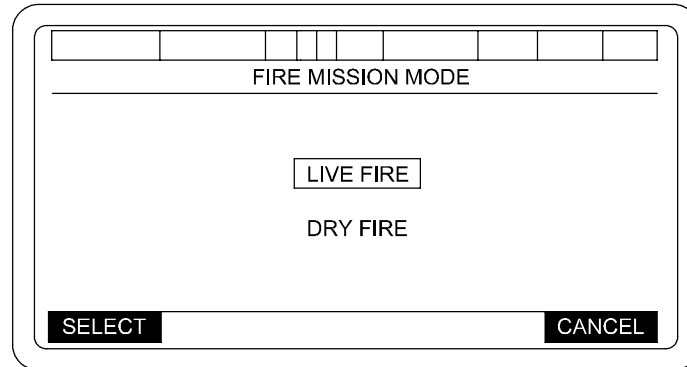
Table O-19. Record of Fire Data Display - Continued

Field	Description	Conditions for display
18	ACT EL Range/Values: (1) -200.0 through +1333.0 Resolution: NA Default/Initial: Blank Units: Mils	(1) Actual Elevation for each round at the time shot was detected.
19	MV (Muzzle Velocity) Range/Values: (1) 0 to 999.9 Resolution: NA Default/Initial: 0.0 Units: Meters Per Second	(1) Muzzle velocity for each round of the Fire Mission.
20	TIME Range/Values: (1) 0000-5959 Resolution: NA Default/Initial: NA Units: Minutes/Sec- onds	(1) Time the round was fired.
21	MORE BELOW Range/Values: (1) MORE BELOW (2) DATA (for rounds shot) Resolution: NA Default/Initial: Blank Units: NA	(1) Used to navigate between screens when there is more DATA that can be viewed on this display by scrolling. (2) Displayed when there are no more than 4 recorded rounds fired for the selected phase or the first shot DATA appears.

O-8 PDFCS FIRE MISSION - CONTINUED

O-8.7 System Menus - Continued

O-8.7.14.1 Fire Mission Mode.



06pc269t

- When LIVE FIRE is selected, EFC updates shall be performed upon EOM/Abort Fire Mission Processing.
- When DRY FIRE is selected, Muzzle Velocity processing and EFC processing shall not be performed. All other functions are performed as they would be in a normal Live Fire Mode. An operator warning "D" shall be shown in position 4 of the Function Status Field. This warning shall remain in all screens until LIVE FIRE is selected.
- Pressing SELECT will transition display to the SETUP AND INFORMATION menu with the appropriate value shown in the Function Status field.

O-8.7.15 Muzzle Velocity. For more accurate firing data when computing ballistics, measured muzzle velocities are entered into the PDFCS. Also, muzzle velocities can be entered as they are measured. This is performed as followed:

WARNING

Ensure that correct propellant temperature and shell weights are entered in PDFCS. Failure to comply will result in incorrect ballistic computations. This could result in injury or death to friendly troops.

O-8 PDFCS FIRE MISSION - CONTINUED

O-8.7 System Menus - Continued

O-8.7.15 Muzzle Velocity - Continued

- a. Box in MUZZLE VELOCITY on SETUP AND INFORMATION menu and press SELECT key to display a MUZZLE VELOCITY VARIATION screen.

MUZZLE VELOCITY VARIATION

MVV-LOT
MVV-WEAR

SELECT CANCEL

06pc266t

- b. To delete muzzle velocity, box in MVV-LOT from the MUZZLE VELOCITY VARIATION screen and press SELECT.

MVV-LOT DELETE DATA

DELETE BY PROPELLANT CC/CHARGE/LOT
DELETE BY DATE

SELECT CANCEL

06pc266ta

O-8 PDFCS FIRE MISSION - CONTINUED

O-8.7 System Menus - Continued

O-8.7.15 Muzzle Velocity - Continued

- c. To delete muzzle velocity by propellant cc/charge/lot, box in DELETE BY PROPELLANT CC/CHARGE/LOT and press SELECT.

The screenshot shows a terminal-style interface with a title bar containing several small boxes. Below the title bar, the text 'MUZZLE VELOCITY' is on the left and 'DELETE BY CC/CHARGE/LOT' is on the right. Underneath, there are two input fields, each containing a backslash character '\'. At the bottom of the screen, there are two buttons: 'SELECT' on the left and 'EXIT' on the right.

06pc273ta

Lots are displayed in ascending ASCII sort sequence by country, manufacturer's propellant lot, and then propellant charge. When SELECT softkey is pressed the short message "DELETE VELOCITY DATA" "YES" "NO" will be displayed. YES causes the MVV Lot data for the selected propellant lot to be deleted from the display. NO allows the re-selection of a propellant lot. While extended lot codes are being retrieved and sorted for display, the following message shall be displayed:

"RETRIEVING LIST PLEASE WAIT"

If no lots are available for deletion, the SELECT key will be blanked, you will have a CANCEL at softkey 4 and the message "NO LOTS TO DELETE" will be displayed.

If there is more than one page of entries in the MVV-Lot database you will have a NEXT PAGE at softkey 2 and PREV PAGE at softkey 3. If the first page of entries is displayed, the PREV PAGE softkey will be blanked. If the last page of entries is displayed, the NEXT PAGE softkey will be blanked.

EXIT replaces the CANCEL softkey once a lot has been deleted. When the EXIT softkey is pressed, the message "PERM DELETE LOTS" "YES" "NO" shall be displayed. If YES is selected, the propellant lots will be deleted from the MVV-Lot Database. If NO is selected, propellant lots shall not be deleted from the MVV-Lot Database.

If the entry has an asterisk (*) in front of the country code, then that entry has a 5% radial impact error. This error must be considered to ensure accurate fire.

O-8 PDFCS FIRE MISSION - CONTINUED

O-8.7 System Menus - Continued

O-8.7.15 Muzzle Velocity - Continued

- d. To delete muzzle velocity by the date box in DELETE BY DATE and press SELECT.

06pc267t

When ENT key is pressed, a validity check is performed on the entered date/time. If the date/time is invalid, you will receive a short error message: "INVALID DTG VALUE" "ACK". You will be required to enter a new Date/Time value. If the date/time data is valid, a short message "DELETE MVV" "YES" "NO". YES causes all MVV Lot data older than the entered DTG to be deleted. NO allows re-entry of the DTG.

- e. To update MUZZLE VELOCITY VARIATION tube wear information, box in MVV-WEAR from the MUZZLE VELOCITY VARIATION screen and press SELECT.

PROJ FAMILY	MVV TUBE WEAR
HE	0.6
ICM	0.4
RAP	0.2
BB	0.1
CPH	0.1

06pc267tb

When an entry has been selected the "+/-" will be displayed at softkey 2. The phrase "ENTER A VALUE BETWEEN -49.9 AND +49.9" and "PRESS ENT KEY" will be displayed. If the value is greater than +/- 49.9 you will receive a short error message: "VALUE TOO BIG" "ACK" or "VALUE TOO SMALL" "ACK". The value will be returned to the previous value displayed and allow re-entry. When you have updated an entry with a different value, UPDATE will be displayed at softkey 2. Press UPDATE. This will update the MVV-Wear database and return to the MUZZLE VELOCITY VARIATION screen.

O-8 PDFCS FIRE MISSION - CONTINUED

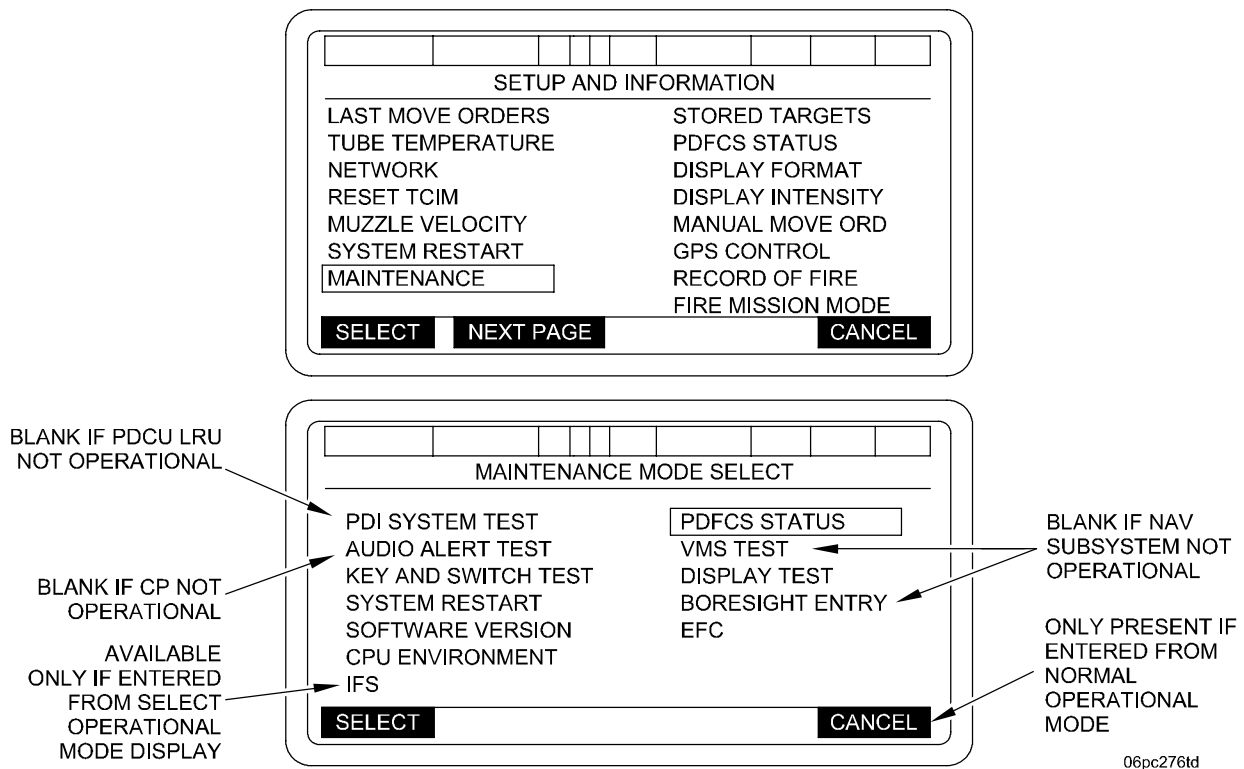
O-8.7 System Menus - Continued

O-8.7.16 Operational Maintenance Transition.

The PDFCS will provide the capability for the PDFCS operator to transition from NORMAL OPERATIONAL MODE functions to MAINTENANCE MODE functions and back to NORMAL OPERATIONAL MODE without having to POWER DOWN, perform SYSTEM RESTART, or perform NORMAL OPERATIONAL MODE initialization procedures. This capability will only be available when the PDFCS has successfully completed a NORMAL OPERATIONAL MODE initialization. Selection of the MAINTENANCE MODE from the PDFCS MODE SELECTION display will not allow the PDFCS operator to transition to NORMAL OPERATIONAL MODE without first having to POWER DOWN, perform SYSTEM RESTART, or do a NORMAL OPERATIONAL MODE "INITIALIZATION" procedure.

When MAINTENANCE MODE functions are selected from the PDFCS NORMAL OPERATIONAL MODE, the PDCU will be directed to limit instructive testing to only respond to Fire Mission requests. When MAINTENANCE MODE is entered from the PDFCS SELECT OPERATIONAL MODE display, the PDCU will be allowed to perform its full range of intrusive tests.

If a Fire Mission is received while the PDFCS is in a MAINTENANCE MODE function which was activated from the NORMAL OPERATIONAL MODE, the operator will be prompted to either accept or reject the mission. NORMAL OPERATIONAL acceptance of the mission will automatically terminate all MAINTENANCE MODE function activity and transition to NORMAL OPERATIONAL MODE Fire Mission processing. Operator rejection of the mission will cause an operator ABORT of the Fire Mission and will cause the PDFCS to remain in the currently active MAINTENANCE MODE function.



O-9 PDFCS AND PDI FAULT DETECTION.

O-9.1 Power Up Built-In-Test (BIT).

The BIT is a self-test of the PDFCS. This test occurs when the vehicle MASTER power is ON and the PDFCS POWER switch (located on the PDU), is placed to ON. By placing the PDFCS POWER switch and PCU-2 circuit breakers to ON, the PDU will display the screen shown.

As each of the six subsystems is tested, the "--" will change and provide a subsystem condition. An OK condition (see illustration below), indicates a subsystem is 100% functional.

POWER UP STATUS		
PDCU	SUBSYSTEM	OK
NAV	SUBSYSTEM	OK
WPN	SUBSYSTEM	OK
MVS	SUBSYSTEM	OK
IFS	SUBSYSTEM	OK
PCU	SUBSYSTEM	OK
KEYPAD	SUBSYSTEM	OK

06pc279tc

NOTE

If PDU contains an incorrect configuration, the PDFCS will not allow the operator to select normal operations until a correct PDU software configuration is downloaded.

When configuration verification checking indicates that the executed software configuration is not the same as the acquired software configuration, a short error message "INVALID SOFTWARE CONFIGURATION" "ACK" will appear on the sofkey label line of the PDU.

POWER UP STATUS		
PDCU	SUBSYSTEM	OK
NAV	SUBSYSTEM	OK
WPN	SUBSYSTEM	OK
MVS	SUBSYSTEM	OK
IFS	SUBSYSTEM	OK
PCU	SUBSYSTEM	OK
KEYPAD	SUBSYSTEM	OK
INVALID SOFTWARE CONFIGURATION		ACK

ALERT ONLY PRESENT IF NECESSARY

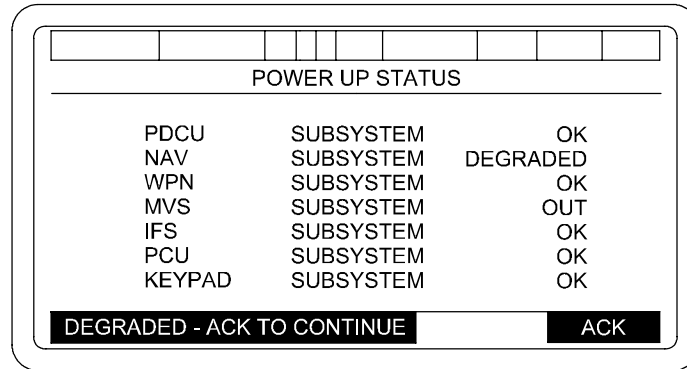
06pc279tb

When the message is acknowledged, the PDFCS will proceed to the SELECT OPERATIONAL MODE menu. To view detailed software configuration information for each LRU, MAINTENANCE should be selected, IAW procedure in para O-9.2.

O-9 PDFCS AND PDI FAULT DETECTION - CONTINUED

O-9.1 Power Up Built-In-Test (BIT) - Continued

The display shown in the example below illustrates two conditions, DEGRADED and OUT.

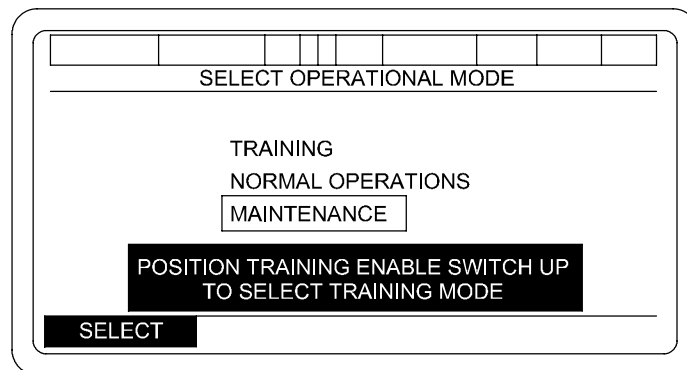


06pc077mf

The DEGRADED condition indicates a subsystem is not 100% functional. When a degraded condition exists, it will be indicated in field 7 by one or a combination of these letters with the following meaning:

- N - Navigation
- A - GPS Aiding
- C - Communication Processing
- W - Weapon Controller

These two conditions, OUT and DGRD, will be tested to determine where the fault exists and the extent of the fault. After a fault has been detected (OUT or DGRD condition during self-test) press the illuminated softkey beneath the word ACK. After pressing the ACK key, the screen shown below will be displayed.

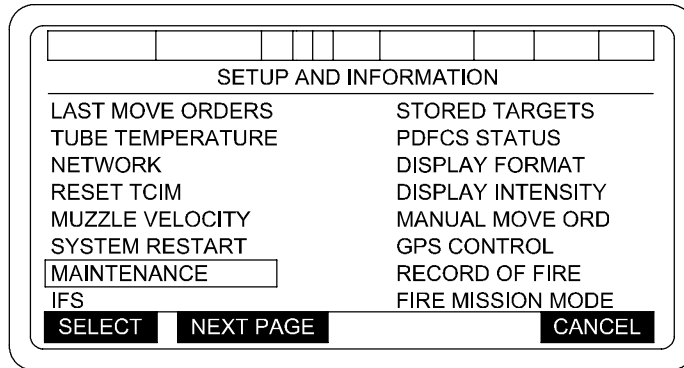


06pc567ma

The display above depicts three modes: TRAINING, NORMAL OPERATION and MAINTENANCE. To select MAINTENANCE MODE, box in MAINTENANCE as shown in the illustration above. Press illuminated softkey beneath the word SELECT to enter maintenance mode master menu.

O-9 PDFCS AND PDI FAULT DETECTION - CONTINUED

O-9.1 Power Up Built-In-Test (BIT) - Continued



06pc276tb

The PDFCS also provides the capability for the PDFCS operator to transition from Normal Operational Mode functions to Maintenance Mode functions and back to Normal Operational Mode without having to perform a power down sequence, system restart, or Normal Operational Mode initialization procedures. This capability shall only be available when the PDFCS has successfully completed a Normal Operational Mode initialization. Selection of the Maintenance Mode from the PDFCS Mode Selection display shall not allow the PDFCS operator to transition to Normal Operational Mode without first performing either a power down sequence or a system restart.

When Maintenance Mode functions are selected from the PDFCS Operational Mode, the PDI shall be directed to limit intrusive testing to only those tests which will not impact the ability of the PDFCS to quickly respond to fire mission requests. When Maintenance Mode is entered from the PDFCS Mode Selection display, the PDI shall be allowed to perform its full range of intrusive tests.

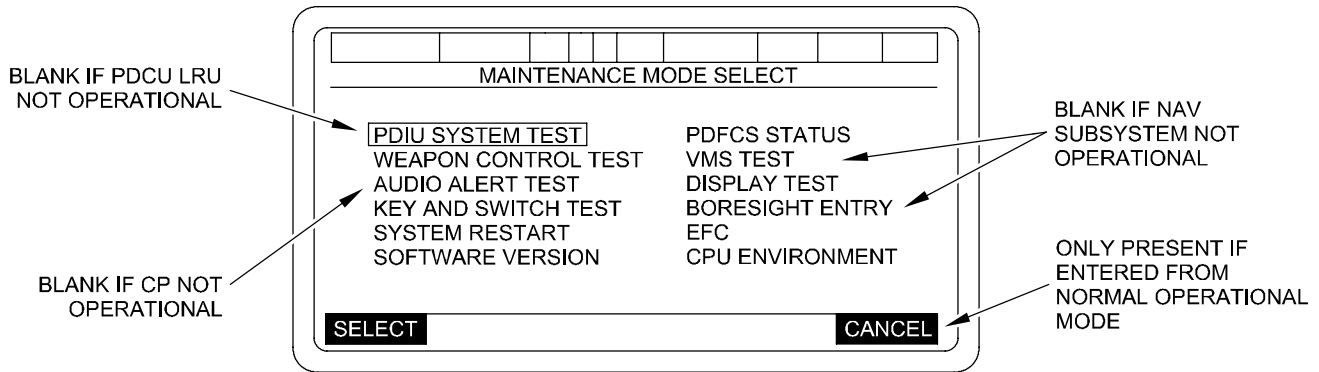
If a fire mission is received while the PDFCS is in a Maintenance Mode function which was activated from the Operational Mode, the operator shall be prompted to either accept or reject the mission. Operator acceptance of the mission shall automatically terminate all Maintenance Mode function activity and transition to Normal Operational Mode fire mission processing. Operator rejection of the mission shall cause an operator abort of the fire mission and shall cause the PDFCS to remain in the currently active Maintenance Mode function.

O-9 PDFCS AND PDI FAULT DETECTION - CONTINUED

O-9.2 PDFCS Status.

To display the PDFCS STATUS menu:

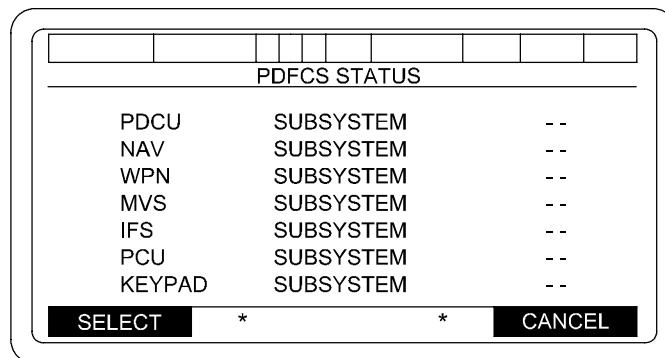
- a. Select MAINTENANCE from the SETUP AND INFORMATION menu. Press SELECT key. This will cause the MAINTENANCE MODE SELECT menu to be displayed.



06pc122td

If MAINTENANCE is selected from NORMAL OPERATIONAL MODE, the MAINTENANCE screen will display SELECT and CANCEL options above softkeys 1 and 4 in field 16.

- b. Select PDFCS STATUS from the MAINTENANCE MODE SELECT menu. Press SELECT key. This will cause the PDFCS STATUS menu to be displayed.



06pc640mb

The PDFCS STATUS menu will display the various subsystem faults. Using this fault list (showing Degraded Mode of each subsystem), you will be able to determine if Degraded Mode is acceptable depending on mission requirements.

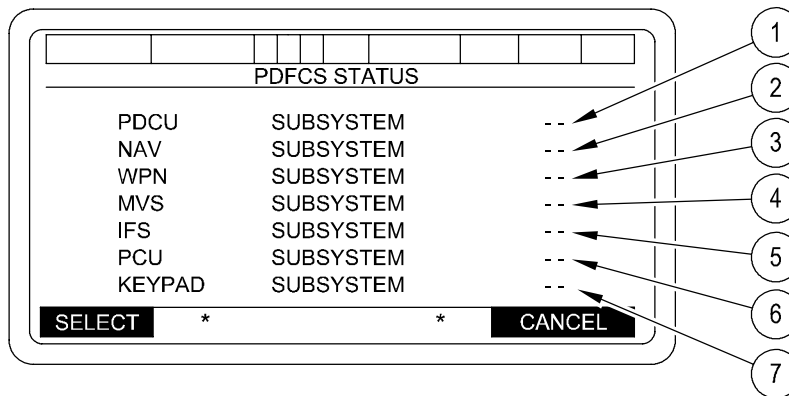
O-9 PDFCS AND PDI FAULT DETECTION - CONTINUED

O-9.2 PDFCS Status - Continued

Certain degraded subsystems will not interfere with PDFCS operation or mission capability. It is important to know, however, which subsystem is degraded (and which BIT item has failed). Knowing which failure to compensate for/correct will allow you to carry on with your mission. The various LRUs communicate/send messages periodically within PDFCS. Whenever an LRU has not sent a message within a certain amount of time, the LRU timer sends an LRU FAILED message. In the event you get an LRU FAILED message, go into MAINTENANCE menu, check PDFCS STATUS. If LRU failed, notify unit maintenance.

The PDFCS STATUS menu is used by unit maintenance personnel, as well as by the operator. The operator must notify unit maintenance of any subsystem listed with a status of DEGRADED or -- (OUT), then no faults within that subsystem are indicated. Look at each subsystem carefully.

Select the subsystem in question. Additional information will be displayed to identify where the fault lies. There is no additional information for PDU and KEYPAD.



- ① = (OK, DEGRADED, --)
- ② = (OK, DEGRADED, --)
- ③ = (OK, DEGRADED, --)
- ④ = (OK, --) Where -- indicates that the PDFCS could not connect to the MVS, or OUT
- ⑤ = (DEG - MNT, DEG,- GPS, DEG - BAT, OK, --) Where -- indicates status not determined, or OUT
- ⑥ = (OK, DEGRADED, --) Where -- indicates PDCU failure that prevents PCU status from being determined, or OUT
- ⑦ = (OK, DEGRADED, --) Where -- indicates PDCU failure that prevents KEYPAD status from being determined, or OUT

SELECT = SELECT A SUBSYSTEM

CANCEL = CANCEL and return to SETUP AND INFORMATION menu or INTERNAL MAINTENANCE menu

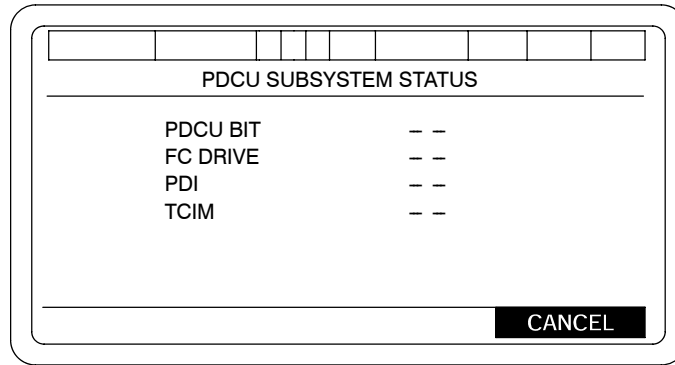
* = No test appears for these softkeys. Pressing FUNCTION KEY 2 or 3 will clear ET SIMULATED FAILURES

06pc641mb

O-9 PDFCS AND PDI FAULT DETECTION - CONTINUED

O-9.2 PDFCS Status - Continued

O-9.2.1 PDCU SUBSYSTEM STATUS Display.

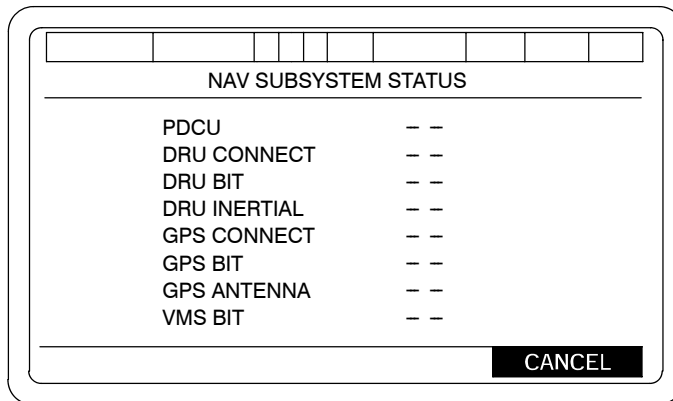


-- = (OK, FAIL)

CANCEL = Return to the PDFCS STATUS display

06pc642m

O-9.2.2 NAV SUBSYSTEM STATUS Display.



-- = (OK, FAIL)

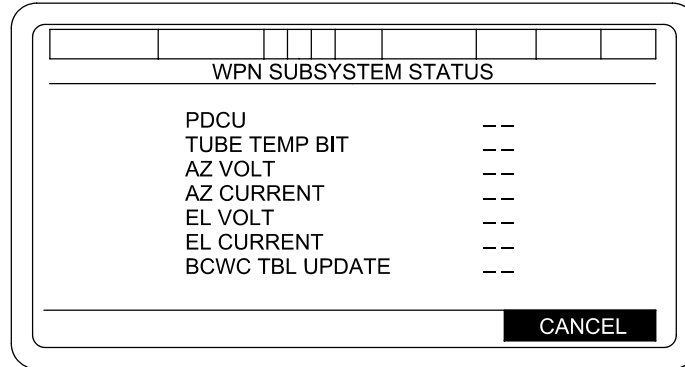
CANCEL = Return to the PDFCS STATUS display

06pc643m

O-9 PDFCS AND PDI FAULT DETECTION - CONTINUED

O-9.2 PDFCS Status - Continued

O-9.2.3 WPN SUBSYSTEM STATUS Display.

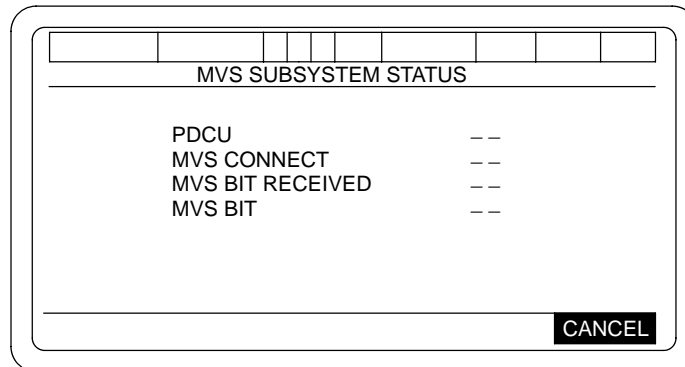


-- = (OK, FAIL)

CANCEL = Return to the PDFCS STATUS display

06pc644ma

O-9.2.4 MVS SUBSYSTEM STATUS Display.



-- = (OK, FAIL)

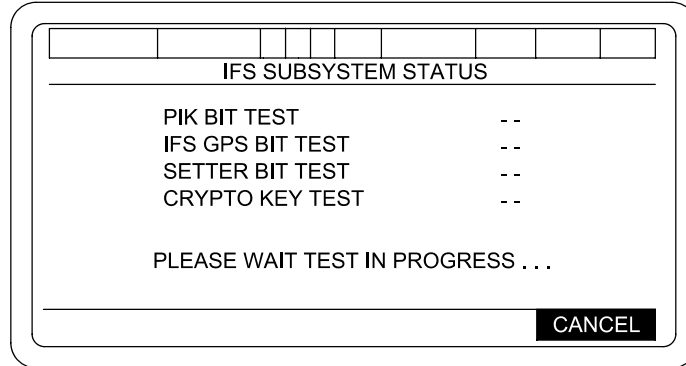
CANCEL = Return to the PDFCS STATUS display
 = Press CANCEL twice,
 returns to MAINTENANCE MODE SELECT
 display

06pc645m

O-9 PDFCS AND PDI FAULT DETECTION - CONTINUED

O-9.2 PDFCS Status - Continued

O-9.2.5 IFS SUBSYSTEM STATUS Display.



-- = (OK, FAIL)

CANCEL = Return to the PDFCS STATUS display

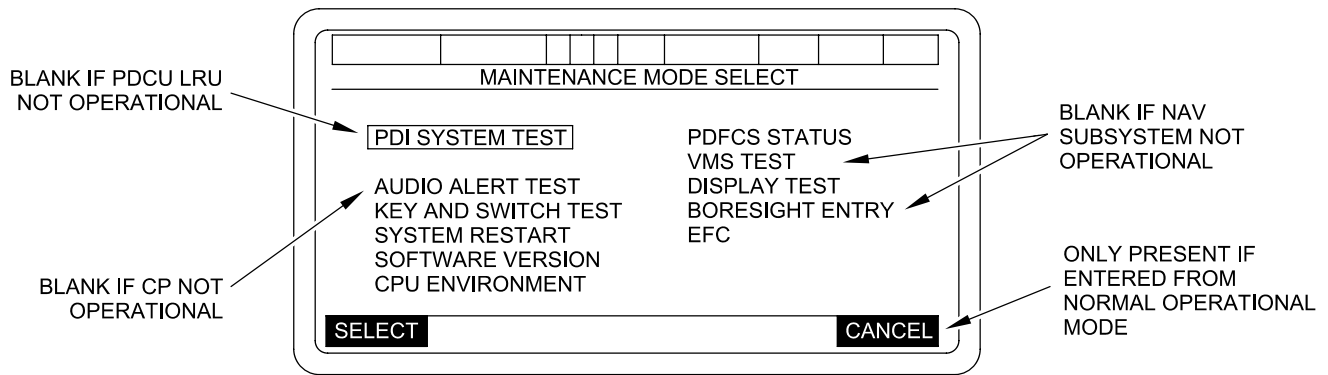
06pc128td

O-9 PDFCS AND PDI FAULT DETECTION - CONTINUED

O-9.3 PDI System Test.

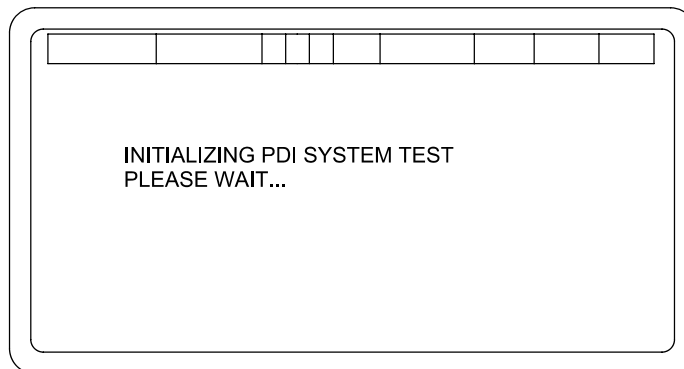
Ensure NAV alignment is complete prior to performing PDI system test.

To start the PDI SYSTEM TEST, move the cursor with the arrow keys until the PDI SYSTEM TEST is boxed, as shown below.



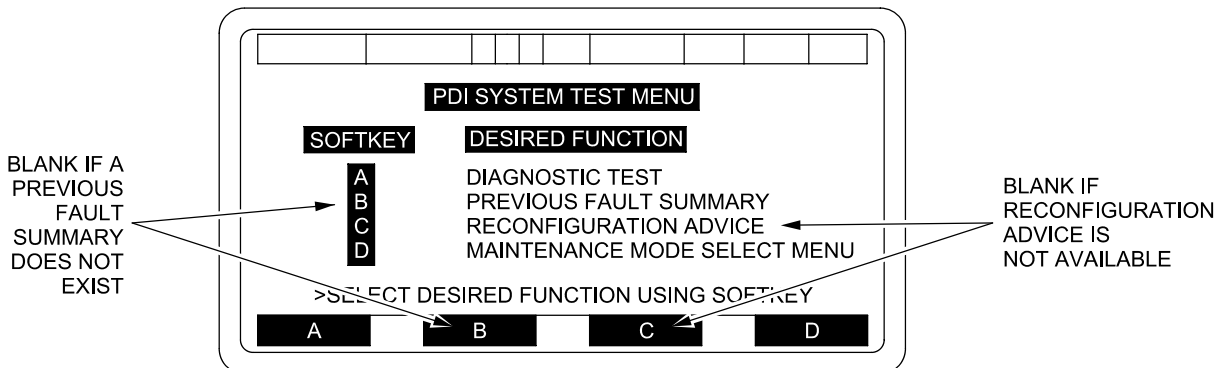
06pc130tf

Press SELECT. The screen will display the prompt "ARE YOU SURE" "YES" "NO". Press YES. The screen will display the following message:



06pc525mb

This message requires no action on your part. In 3 to 5 seconds, when the system is ready, it will be replaced with a menu display like the following:



06pc526ma

This menu allows you to select whichever function you wish to perform.

O-9 PDFCS AND PDI FAULT DETECTION - CONTINUED

O-9.3 PDI System Test - Continued

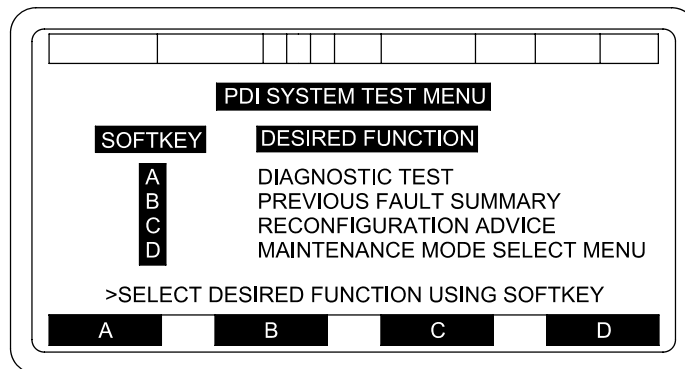
NOTE

The previous Fault Summary and Reconfiguration Advice functions are not always available. These options will not be displayed if their functions cannot be performed. (The different menu screens that can be seen because of this are shown at the end of the description.)

Each of the four functions will now be described separately.

a. DIAGNOSTIC TEST

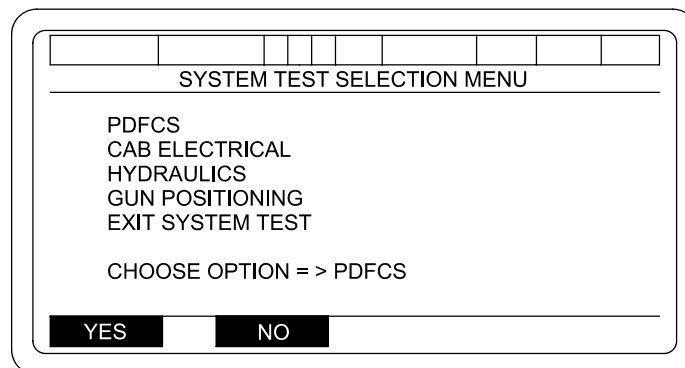
To perform DIAGNOSTIC TEST, press the "A" softkey.



06pc527mb

The next screen allows you to select which part of the system you would like to test based upon the problem you are troubleshooting. The Gun Positioning System will not be available until the hydraulics segment has been successfully tested (the PDI should not be reset). To test the entire system, all four segments should be tested in the order they appear on the screen. As each segment passes its test, the next segment should be selected from this screen without resetting the system. If any of the segmented tests fail, the fault should be corrected, the PDFCS should be reset and the testing should begin again with the first test. Continuing testing without resetting the system can result in false failures.

To perform any of the segment tests select "YES" when that segment appears behind "CHOOSE OPTION".

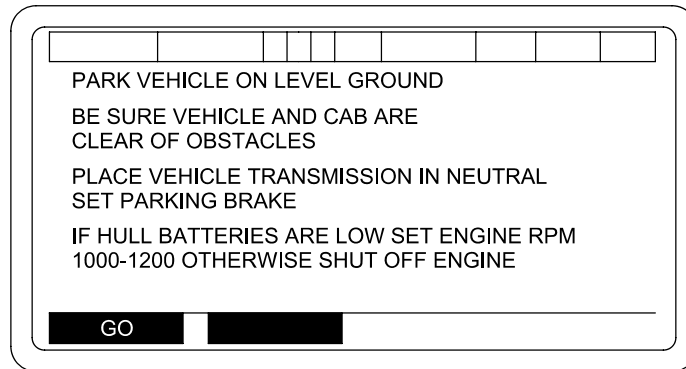


06pc377mc

O-9 PDFCS AND PDI FAULT DETECTION - CONTINUED

O-9.3 PDI System Test - Continued

The following screen will be displayed.

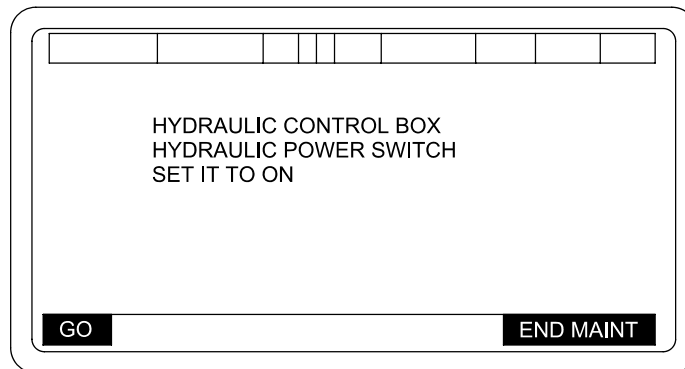


06pc378ma

When you have completed the required actions, press GO softkey and testing will continue.

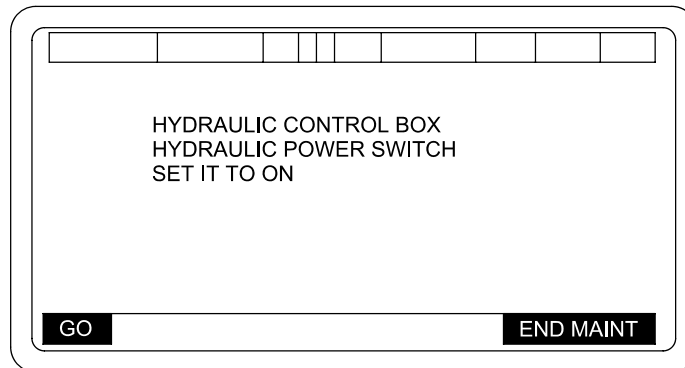
During the next few screens, you will be given the CANCEL softkey option. CANCEL is there in case you selected the DIAGNOSTIC TEST function (from the menu) by mistake or in case you changed your mind. When you press CANCEL, the system will display the PDI SYSTEM TEST MENU again.

Throughout diagnostic testing, you will be given instructions. When you press GO, you are telling the system that you have done the task it asked for. It is important that you complete the task before pressing GO because many of the decisions that the system makes are based on the actions that you made. A typical instruction is shown below:



06pc411ma

When you are instructed to perform an action such as the screen below, the PDI measures the voltage of the switch.

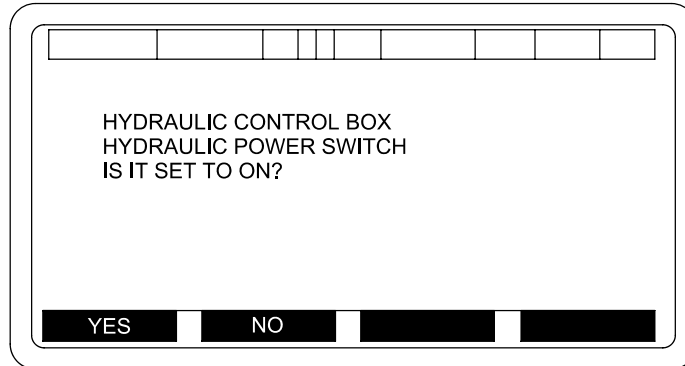


06pc411ma

O-9 PDFCS AND PDI FAULT DETECTION - CONTINUED

O-9.3 PDI System Test - Continued

If the result is not correct, then you are asked if you performed the action correctly, as shown in the screen below.

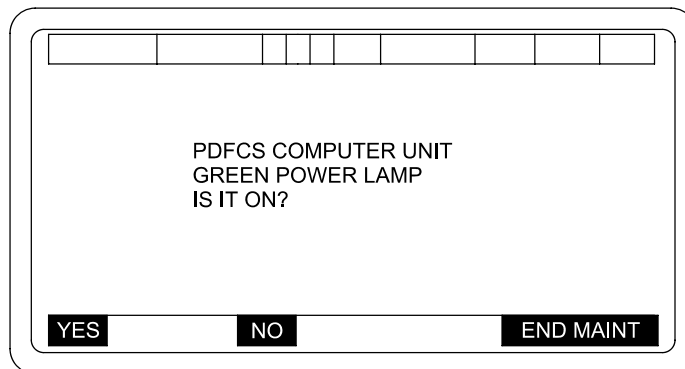


06pc409ma

If you answer "YES", a fault will be detected by the PDI. If you answer "NO", you will be given another chance to perform the action correctly. Then, if the action is not performed correctly, a fault will be detected by the PDI.

Most of the displays in the main section of the DIAGNOSTIC TEST will include an END MAINT softkey at the bottom of the display. When this is present, you have the option of stopping the test at that point. If you press END MAINT, testing will immediately stop and you will see the Fault Summary display with all of the test results up to where you stopped. This feature is provided to allow you to return to normal operations with a minimum of delay if necessary. REMEMBER - When you press END MAINT, the system can only report the results of the test up to where you stopped. There may be further faults not detected.

During diagnostic testing, you will also be asked to answer questions. A typical question is shown below:



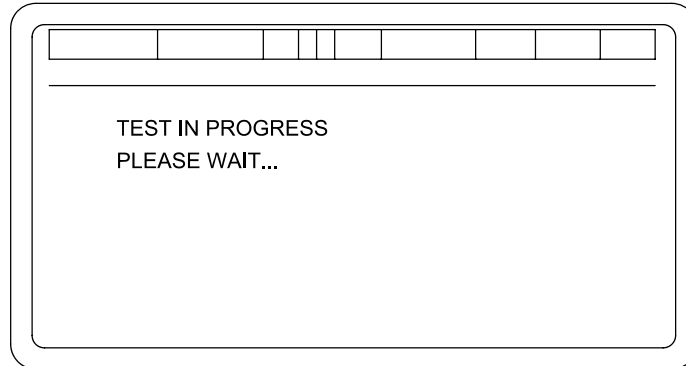
06pc407me

Questions will always be asked so that a YES or NO answer is possible by pressing the YES or NO softkeys. The system is using your ability to see, feel and hear to get the information it needs. It uses your answers to make decisions about functions that cannot be measured directly by the PDI.

O-9 PDFCS AND PDI FAULT DETECTION - CONTINUED

O-9.3 PDI System Test - Continued

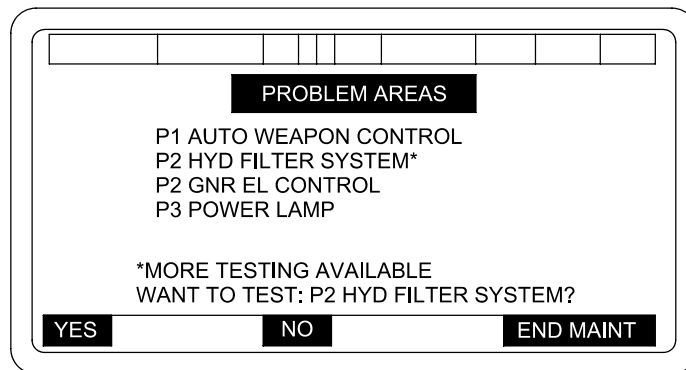
Several times during diagnostic testing, you will see messages that start with the words "TEST IN PROGRESS" like the following screen:



06pc548mb

These screens have no labels for the softkeys at the bottom of the screen and require no response. They are intended to let you know that the system has recognized your last response and is busy with a long test operation. When it is ready to continue, the display will automatically change to a question or instruction message.

If you are troubleshooting a hydraulics or weapon positioning problem or performing a full system checkout, you should press the YES softkey. The system will then begin a new sequence of instructions and questions. Most faults will be isolated as far as possible by the PDI during the normal sequence of DIAGNOSTIC TEST. Usually, the test sequence will run to completion and display the Fault Summary screen. However, some faults can be isolated further. This requires extra testing which can involve disconnecting cables and opening the hydraulic compartment. When one of these faults is detected, the system will remember it until it has finished all of the fault detection tests. It will then display a special menu screen like the following:



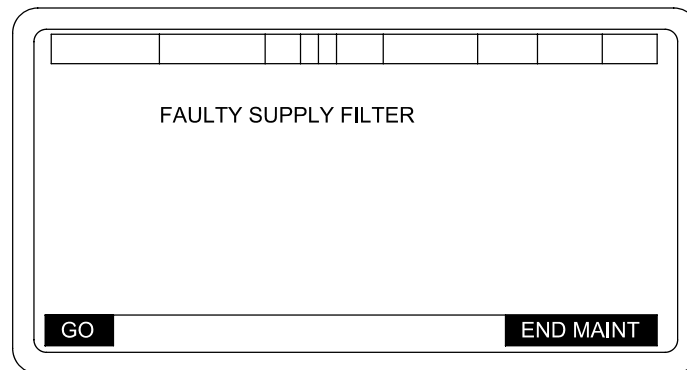
06pc531ma

Each of the problem areas that requires extra testing will be displayed with an asterisk (*). The question line at the bottom will have the same name of the first extra test problem area. You can choose to continue testing this problem area by pressing YES. If you press NO, the name of the next extra test problem area will appear. As long as you continue to press NO, the names of the * problem areas will appear in the question, one at a time. If you decide not to do any of the extra testing, press END MAINT and the system will immediately display the Fault Summary.

O-9 PDFCS AND PDI FAULT DETECTION - CONTINUED

O-9.3 PDI System Test - Continued

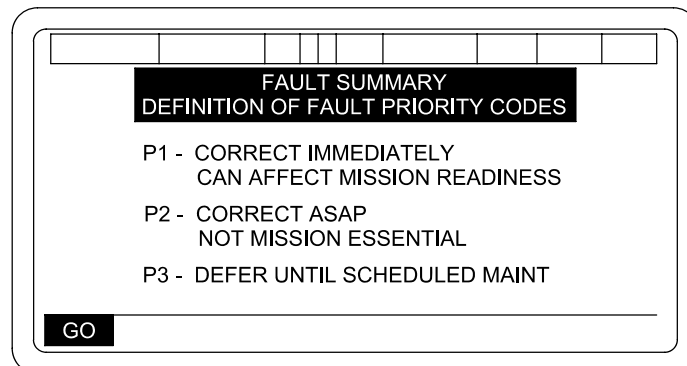
If you press the YES softkey for one of the problem areas, testing will continue with instructions and questions until the fault has been isolated as far as possible by the PDI. When the extra testing is complete, you will see a screen like the following:



06pc532ma

This screen may show one faulty LRU or a short list of possible faulty LRUs that must be isolated further by manual troubleshooting procedures. It tells you that the PDI has done all of the testing it can. When you press GO, the Fault Summary screens will begin.

The first screen of the Fault Summary sequence will be definition of the Fault Priority Codes assigned to each fault message.



06pc533ma

- P1 - These faults require immediate attention. You have lost or may soon lose a major system function that may affect your mission capabilities.
- P2 - These faults do not immediately affect your mission readiness but should be corrected as soon as possible.
- P3 - These faults can be deferred until a scheduled maintenance period.

O-9 PDFCS AND PDI FAULT DETECTION - CONTINUED

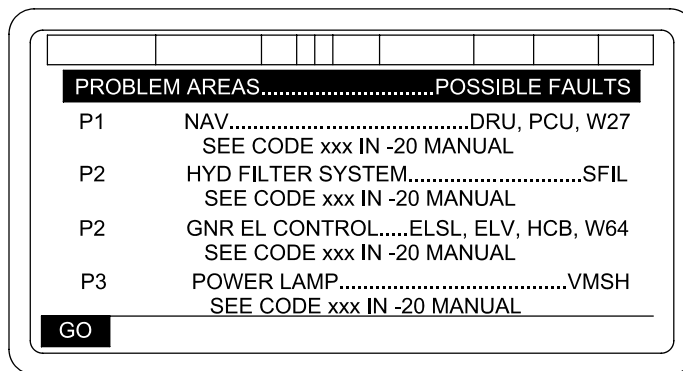
O-9.3 PDI System Test - Continued

The fault definition screen is followed by a Fault Summary list like the one shown on the next screen.

NOTE

All of the information in the Fault Summary screens should be reported to Unit Maintenance. It is a good idea to copy the list of problems and possible faults before pressing GO. If you forget or don't have time to copy all the information now, it can be redisplayed by selecting the Previous Fault Summary option in the PDI SYSTEM TEST MENU screen the next time it is displayed, even if power has been removed.

Press the GO softkey to continue.



06pc534ma

The Fault Summary screens are a list of all of the problems found during screen DIAGNOSTIC TEST. When no problems have been detected, this will simply say "NO FAULTS FOUND" and the Definition of Fault Priority Codes screen will not be shown. However, when problems have been detected, a list like the one above will appear.

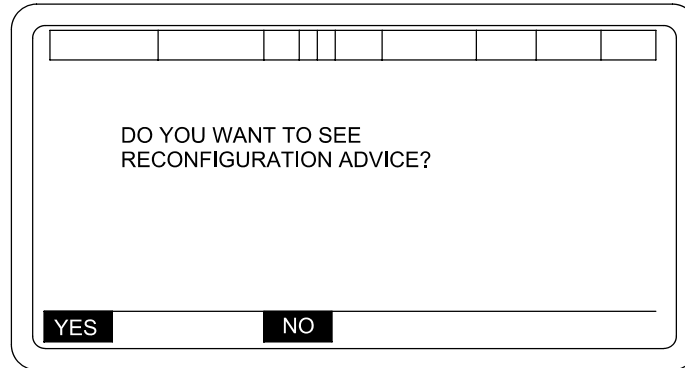
When the Fault Summary displays problem areas, it also displays a list of possible faulty LRUs for each problem area and a -20 manual code number. When only one LRU is listed for a problem area, DIAGNOSTIC TEST has determined that the LRU is definitely faulty and must be replaced. When more than one LRU (separated by commas) is listed as a possible fault for a problem area, further isolation by Unit Maintenance is required to determine which one of the LRUs listed is faulty.

The code number (xxx) listed in the "SEE CODE XXX IN -20 MANUAL" message is a reference to an index in the -20 manual which lists the page where the correct manual troubleshooting procedure can be found.

O-9 PDFCS AND PDI FAULT DETECTION - CONTINUED

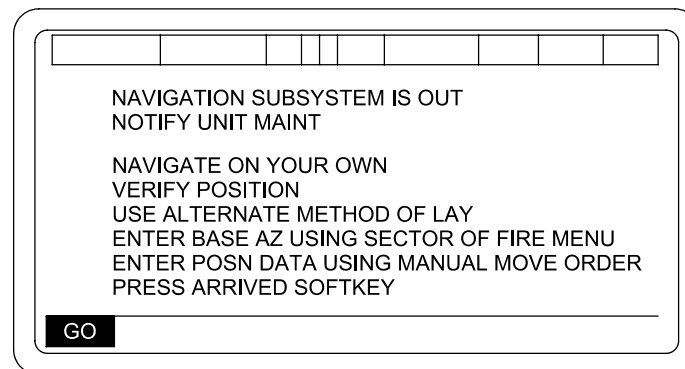
O-9.3 PDI System Test - Continued

The Fault Summary list can take up to three screens. When you have finished viewing or copying the information on each Fault Summary screen, press GO to continue. If more faults were detected, the next Fault Summary screen will be displayed. Some faults may not appear due to limited space on the screens. After corrective actions have been accomplished, the test should be re-run to ensure no additional faults are detected. If Reconfiguration Advice is available for the detected faults, you will be asked the following question:



06pc535ma

This screen offers you the chance to get further information on what backup modes of operation are available for subsystems that are not operational. If you press YES, a screen like the following will appear:



06pc536ma

O-9 PDFCS AND PDI FAULT DETECTION - CONTINUED

O-9.3 PDI System Test - Continued

Reconfiguration Advice may take more than one screen depending on which (and how many) subsystems are not operational. After you have read each screen, press the GO softkey to continue.

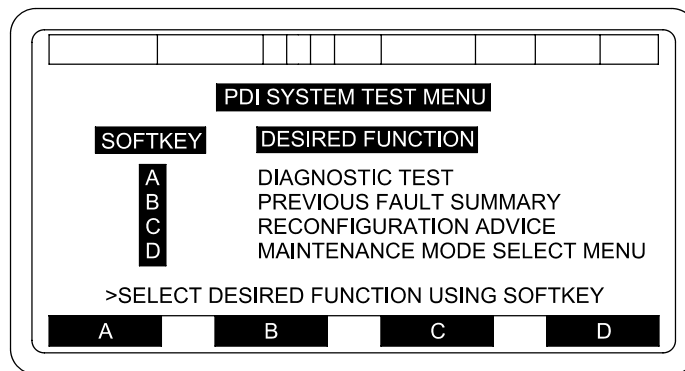
After all Reconfiguration Advice messages have been read, you will be given two screens of instructions that will return the vehicle to a given state. At this point, testing is complete. When you press the final GO, the screen will display the PDIU SYSTEM TEST MENU again.

General Notes About DIAGNOSTIC TEST

The sequence of messages and displays that you see during DIAGNOSTIC TEST will vary depending on the number of faults present in the vehicle. The system will choose its own path through the tests and guide you with instructions. Don't be concerned if you see messages and questions you haven't seen before. The system is simply troubleshooting a fault you haven't had before.

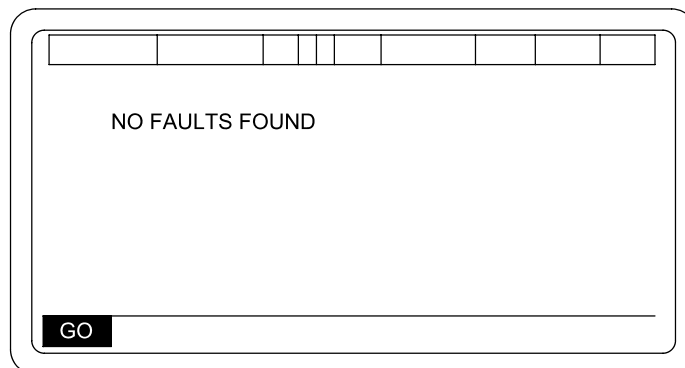
b. PREVIOUS FAULT SUMMARY

To view the PREVIOUS FAULT SUMMARY, press the B softkey.



06pc527mb

The PREVIOUS FAULT SUMMARY is a list of all the problems found during the last DIAGNOSTIC TEST performed. If no problems were detected, the following message will be displayed:

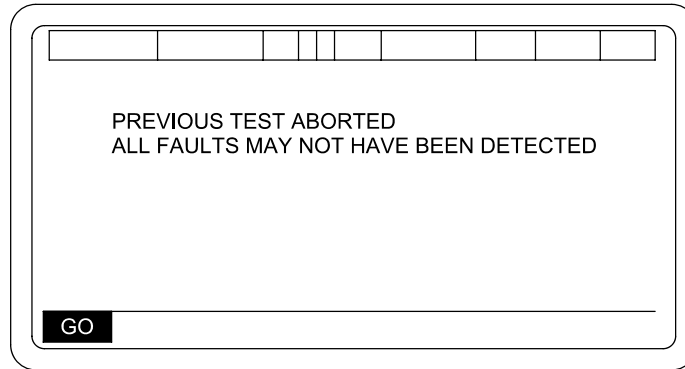


06pc537ma

O-9 PDFCS AND PDI FAULT DETECTION - CONTINUED

O-9.3 PDI System Test - Continued

If the last DIAGNOSTIC TEST was aborted before completion, you will also see the following message:

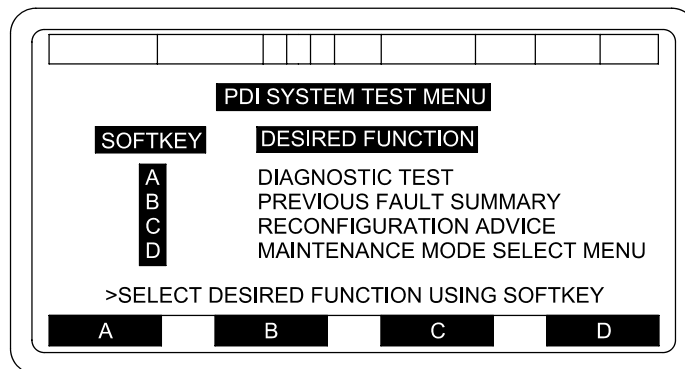


06pc538ma

When all screens in the Previous Fault Summary display sequence have been viewed, the PDIU SYSTEM TEST MENU will automatically be displayed again.

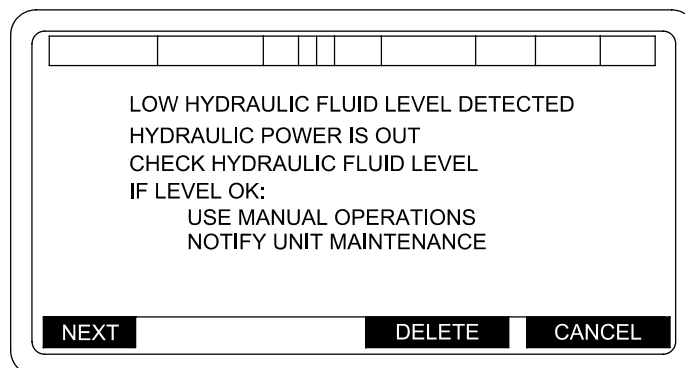
c. RECONFIGURATION ADVICE

To view Background Monitoring Mode RECONFIGURATION ADVICE, press the C softkey.



06pc527mb

A screen like the following will be displayed:



06pc539ma

O-9 PDFCS AND PDI FAULT DETECTION - CONTINUED

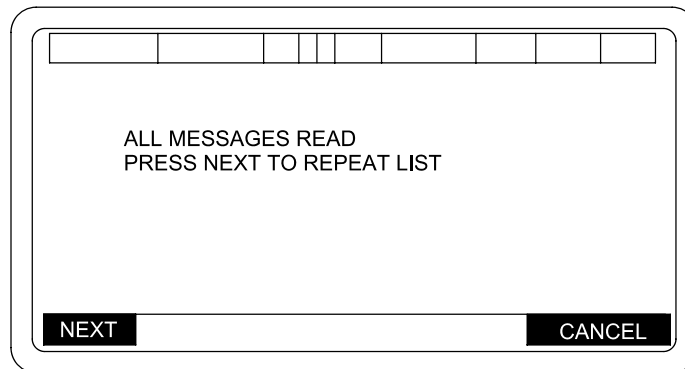
O-9.3 PDI System Test - Continued

RECONFIGURATION ADVICE offers you the opportunity to get more information on what Backup Modes of Operation are available for subsystems that are not operational. This information is displayed for each warning message sent to the PDCU during Normal Operations. RECONFIGURATION ADVICE can take several screens to display as each warning message/advisory information is displayed on a separate screen. You can cycle through and delete the messages as desired.

If you press NEXT, the next warning message and its advisory information will be displayed. If you press DELETE, the warning message and its advisory information displayed will be deleted and the next warning message will appear.

Throughout RECONFIGURATION ADVICE, the CANCEL softkey is available to you. If you press CANCEL, you will exit from RECONFIGURATION ADVICE and the PDI SYSTEM TEST MENU will be displayed again.

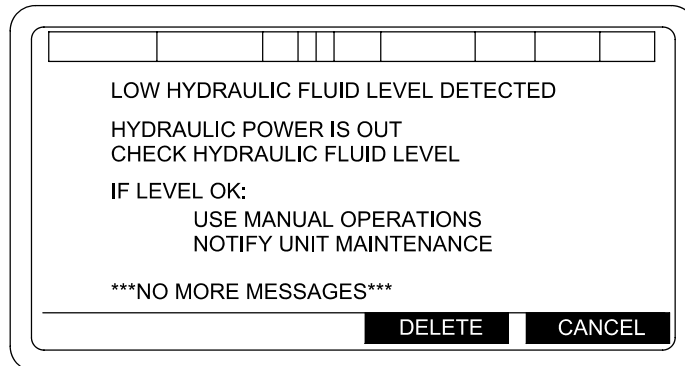
After all messages have been viewed, the following display will appear:



06pc540ma

You can press NEXT to cycle through all the messages which were not deleted. Or press CANCEL to exit.

When the last message is displayed and there are no more messages to view, a display like the following will appear:



06pc541ma

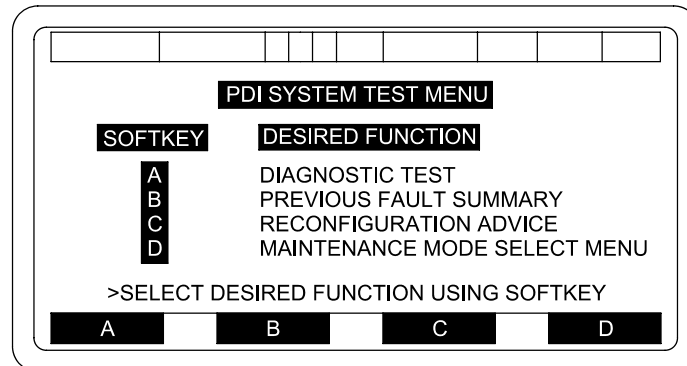
If you press DELETE, the warning message and its advisory information will be deleted and the PDI SYSTEM TEST MENU will be displayed again.

O-9 PDFCS AND PDI FAULT DETECTION - CONTINUED

O-9.3 PDI System Test - Continued

d. MAINTENANCE MODE SELECT MENU

To exit from PDI SYSTEM TEST, press the D softkey.



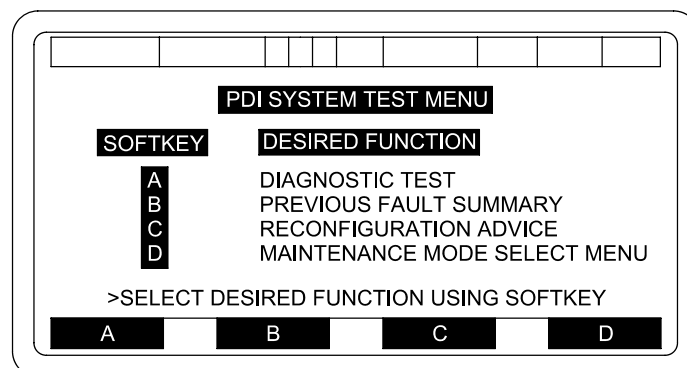
06pc527mb

Pressing D will terminate PDI SYSTEM TEST and the MAINTENANCE MODE SELECT menu screen will appear. The PDI will automatically enter into its Background Monitoring Mode.

e. PDI SYSTEM TEST MENU VARIATIONS

The following screens show all of the different menus that can be displayed when entering the PDI SYSTEM TEST. As mentioned above, all options are not always available. An option will not be displayed if its function cannot be performed.

In the following screen, all options are available to the user.

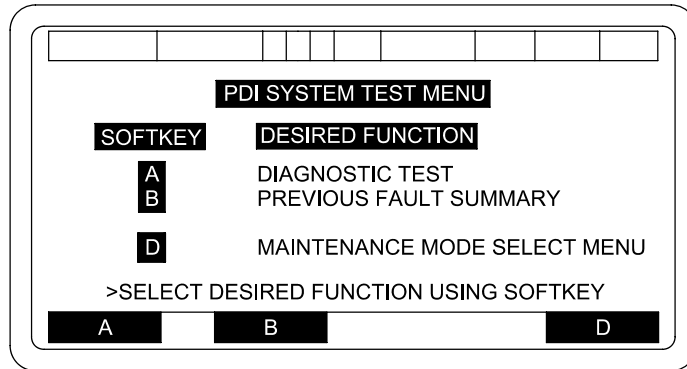


06pc527mb

O-9 PDFCS AND PDI FAULT DETECTION - CONTINUED

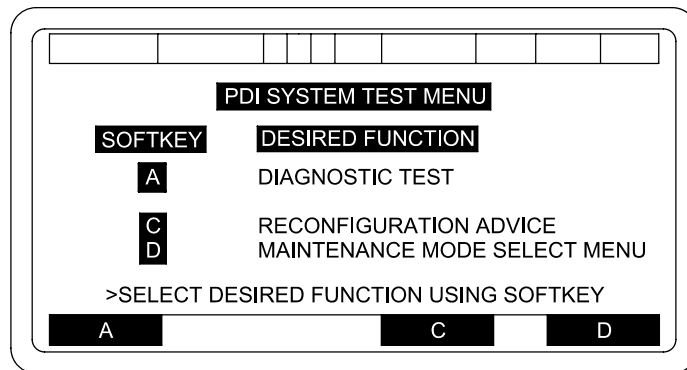
O-9.3 PDI System Test - Continued

The RECONFIGURATION ADVICE option is missing from the following menu screen. RECONFIGURATION ADVICE will only be available for warning messages sent to the PDCU during Normal Operations and for certain faults detected by the PDFCS.



06pc542mb

The PREVIOUS FAULT SUMMARY option is missing from the following menu screen. A PREVIOUS FAULT SUMMARY will only be available if the last DIAGNOSTIC TEST performed was aborted while in progress and faults had been detected or if the last DIAGNOSTIC TEST was completed.

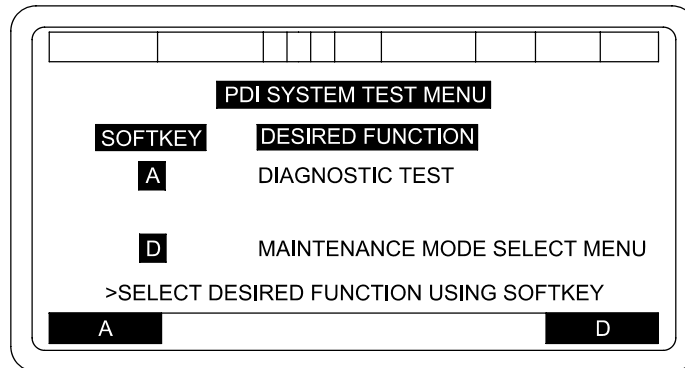


06pc543mb

O-9 PDFCS AND PDI FAULT DETECTION - CONTINUED

O-9.3 PDI System Test - Continued

Both the PREVIOUS FAULT SUMMARY and RECONFIGURATION ADVICE options are missing from the following menu screen. Neither of these options can be performed. DIAGNOSTIC TEST and MAINTENANCE MODE SELECT MENU options will always be available.



06pc546mb

DIAGNOSTIC TEST is the way you perform all diagnostic testing.

MAINTENANCE MODE SELECT MENU is the way you end PDI system testing and return to PDFCS operations.

O-9 PDFCS AND PDI FAULT DETECTION - CONTINUED

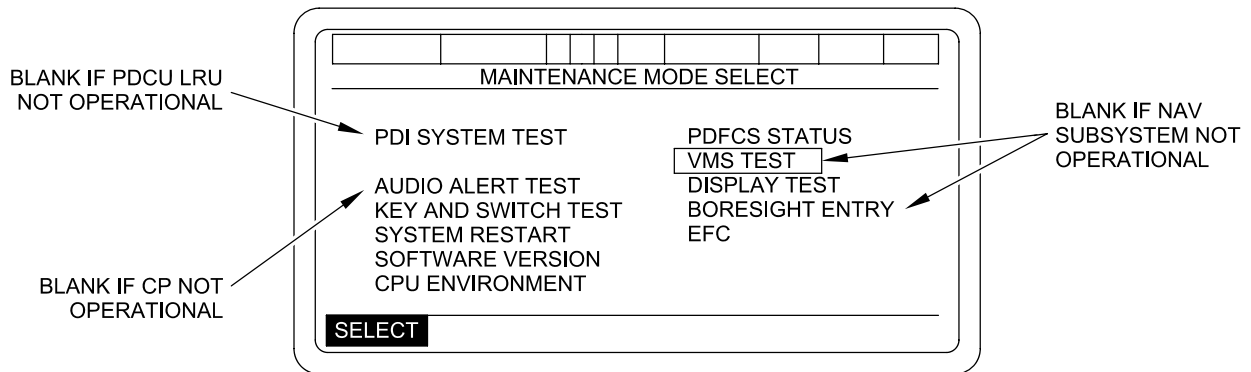
O-9.4 Vehicle Motion Sensor Test.

This test is designed to check Vehicle Positioning System. The VMS provides signals to the PDFCS that aid in the location and positioning of vehicle (coordinates).

This test SHOULD be performed under standard vehicle setup conditions (para O-9.3). This test is used whenever directed by troubleshooting procedures, or when NAV DEGRADED is displayed on the PDU and you get ZUPT requests after about 4 minutes of travel.

If test results indicate that VMS is not properly functioning, notify unit maintenance personnel for corrective action.

- a. Select VMS TEST from MAINTENANCE MODE SELECT menu.



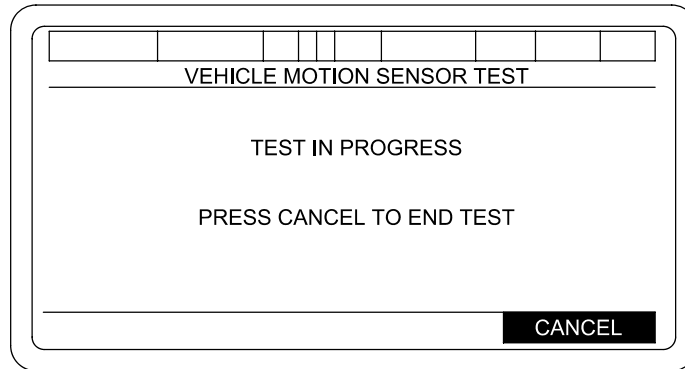
06pc134f

O-9 PDFCS AND PDI FAULT DETECTION - CONTINUED

O-9.4 Vehicle Motion Sensor Test - Continued

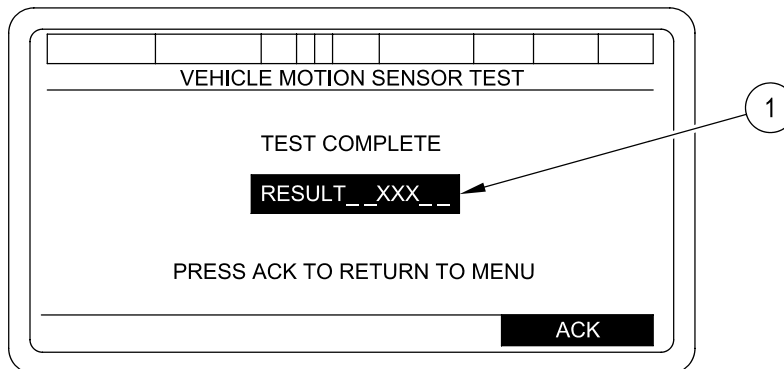
This test is run automatically.

- b. Depressing softkey under CANCEL will end test and take you back to MAINTENANCE MODE SELECT menu.



06pc548ma

If test results indicate a fault, determine if this degraded mode is acceptable. If not, notify unit maintenance.



06pc549ma

- ① Test results can show any of the following:

- RESULT -- VMS GOOD
- RESULT -- VMS BAD
- RESULT -- CAB SIDE VMS MODEM BAD
- RESULT -- CHASSIS SIDE VMS MODEM BAD

- c. When test is completed, depress softkey under ACK. This will take you back to MAINTENANCE MODE SELECT menu.

O-9 PDFCS AND PDI FAULT DETECTION - CONTINUED

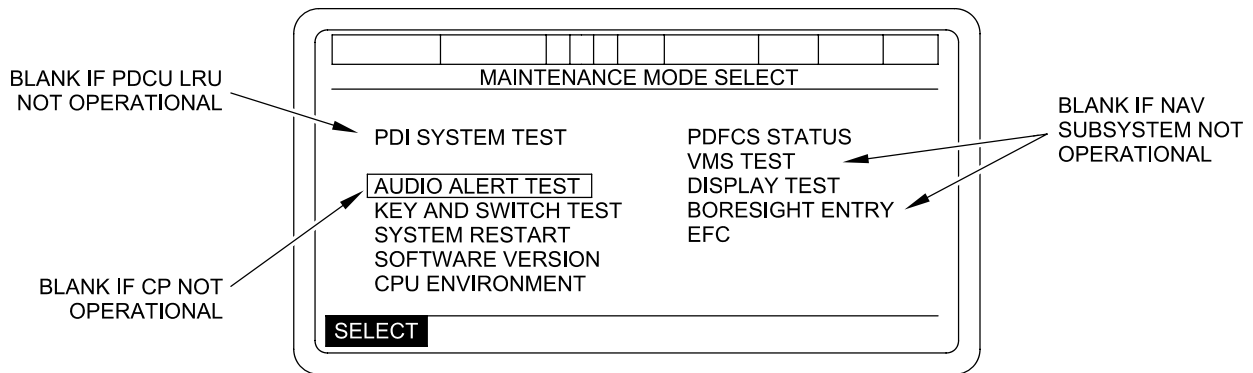
O-9.5 Audio Alert Test.

This test checks the PDFCS communications system fire mission alert notification. During this test, all crewmember's intercom control boxes should emit a repeating tone for 5 seconds. Checks of CVC helmets and intercoms should be performed.

This test should be performed under the standard vehicle setup conditions.

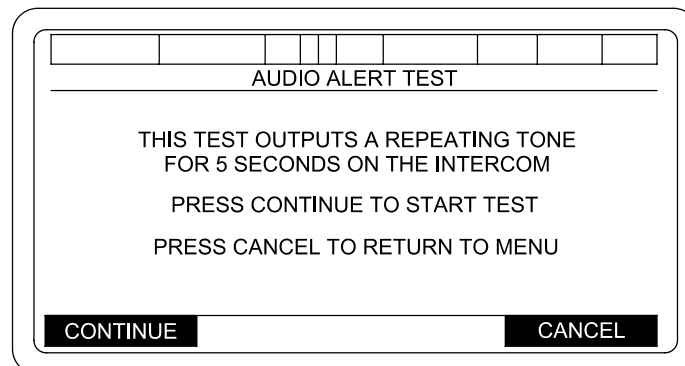
This test is used when directed by troubleshooting procedures, or if testing intercom/CVC is desirable.

- a. Select AUDIO ALERT TEST from MAINTENANCE MODE SELECT menu. Press SELECT KEY. AUDIO ALERT TEST is displayed.



06pc135tc

- b. Depressing softkey under CANCEL will take you back to MAINTENANCE MODE SELECT menu.
- c. Depressing softkey under CONTINUE will start your AUDIO ALERT TEST.
- d. When your AUDIO ALERT TEST is completed, you may depress softkey under CONTINUE to repeat test.
- e. When test is completed, depress softkey under CANCEL to return to MAINTENANCE MODE SELECT menu.
- f. If there is fault with your intercom/PDFCS, notify unit maintenance.



06pc550ma

O-9 PDFCS AND PDI FAULT DETECTION - CONTINUED

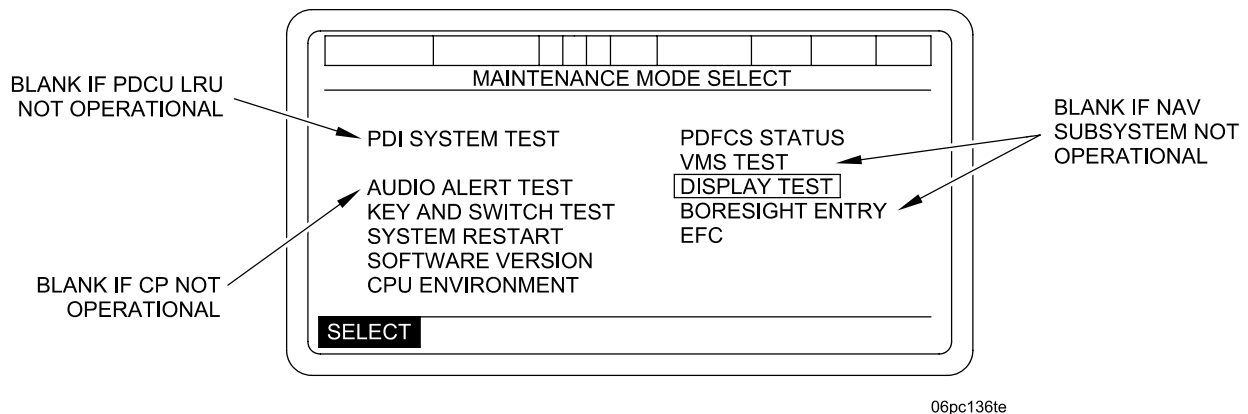
O-9.6 Display Test.

This test checks the uniform color contrast of the display. Information appearing on the screen may become too light to read.

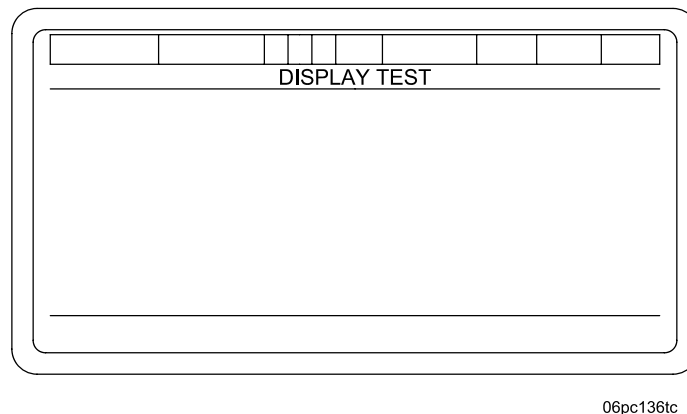
This test should be performed under standard vehicle setup condition (para 3-5A.3).

This test will be used when directed by troubleshooting procedures, or if testing of PDU screen is desirable.

- a. Select DISPLAY TEST from MAINTENANCE MODE SELECT menu. Press SELECT key.



- b. Your display will become highlighted for 2 seconds. After 2 seconds, the display will return to normal. You may reselect DISPLAY TEST if required.
- c. If there are some spots on your display that did not light up, determine if this degraded mode is acceptable. If this is not acceptable, notify unit maintenance.



O-9 PDFCS AND PDI FAULT DETECTION - CONTINUED

O-9.7 Key and Switch Test.

NOTE

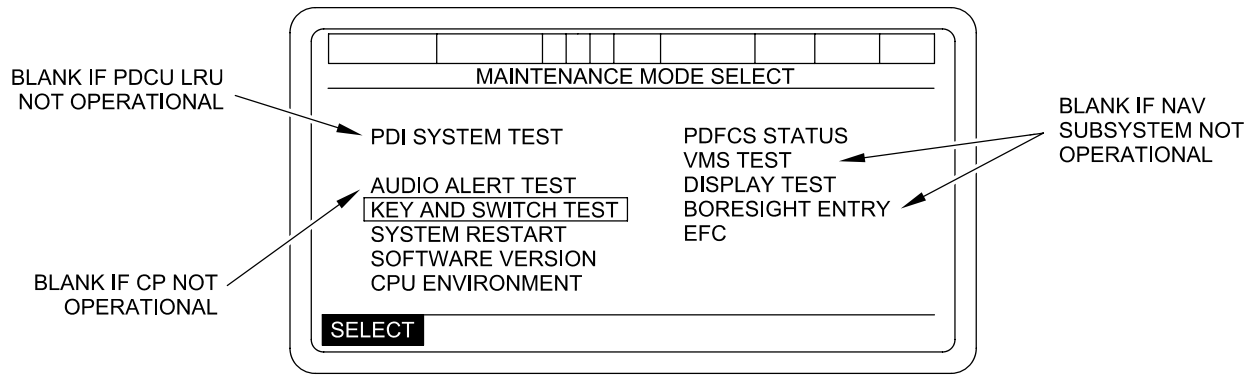
PDFCS must be powered up at least 5 minutes prior to performing this test.

This test checks the response of each key and toggle switch on the display. The key marked T is for the embedded trainer switch and the key marked S is the GUN SERVO switch. Ensure that NOTES are observed when conducting this test.

This test should be performed under the standard vehicle setup condition (para O-9.3).

This test will be used when directed by troubleshooting procedures, or if malfunctions of PDFCS keypad and switches are apparent.

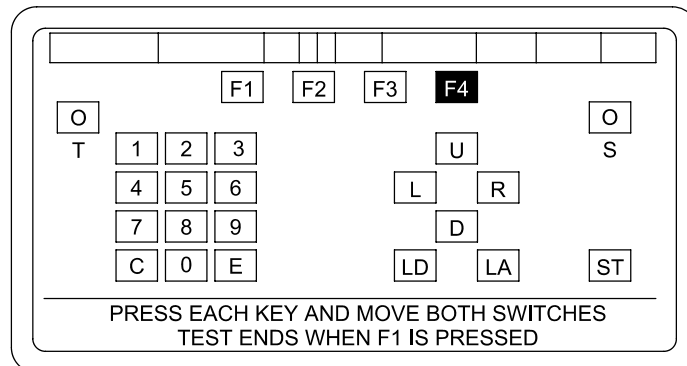
Select KEY AND SWITCH TEST from MAINTENANCE MODE SELECT menu. Press SELECT key.



06pc137tc

NOTE

- Test ends when F1 (softkey) is depressed. Make sure you depress F1 softkey last while performing this test.
 - Do not place PDFCS POWER switch to OFF during this test.
- a. Depress each key in turn (including arrow keys, softkeys, LOAD, LAY, and STOW keys) and place both switches shown to ON/OFF for testing. As each key is depressed, it will be highlighted.
 - b. As each switch/toggle is moved, it will move up or down on your display.
 - c. If fault is indicated with your PDFCS keypad, switches, softkeys, arrow keys, LOAD, LAY, or STOW keys, notify unit maintenance.



06pc551ma

O-9 PDFCS AND PDI FAULT DETECTION - CONTINUED

O-9.8 Boresight Angle Entry.

This capability is designed for use by unit maintenance personnel only. Operators must not use this selection.

WARNING

This selection will be used by unit maintenance personnel to input correction to NAV SUBSYSTEM boresight. Entry of improper data into boresight angle entry menu can cause gun to be laid incorrectly. This could result in injury or death to personnel down range.

NOTE

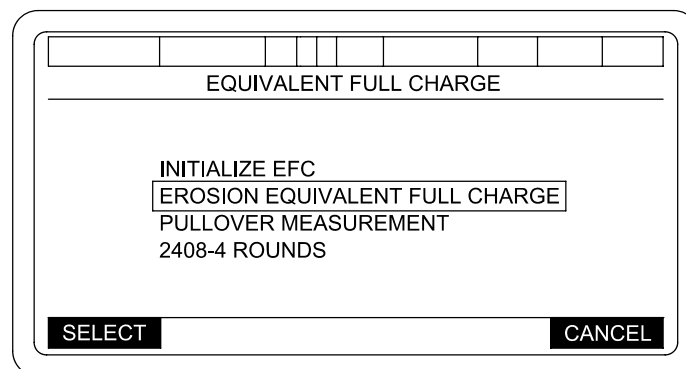
If you accidentally enter this mode, you must exit immediately by pressing the CANCEL key.

O-9.9 Equivalent Full Charge (EFC).

EFC data is maintained by the PDFCS. It consists of a cumulative set which contains the total number of rounds fired by the gun using legal charge and the accumulated EFC based on the total number of rounds fired. The PDFCS saves the data in the non-volatile memory during normal PDFCS power down sequencing.

The calculation of EFC is done automatically for POC/FDC directed fire missions when the operator presses the softkey under the VERIFIED prompt on the VERIFY EXPENDED AMMO menu. However, should the operator not be able to VERIFY that the specified ammunition has been fired, or fire missions have been fired with data supplied by voice radios, or direct fire missions have occurred, then the operator will be required to update the PDFCS Ammunition Inventory and the EFC.

To update the EFC, access the SETUP AND INFORMATION menu, place cursor on MAINTENANCE, and press softkey under SELECT prompt. The MAINTENANCE MODE SELECT menu will appear. Place cursor on EFC and press softkey under SELECT prompt, the EQUIVALENT FULL CHARGE menu will be displayed.



06pc281t

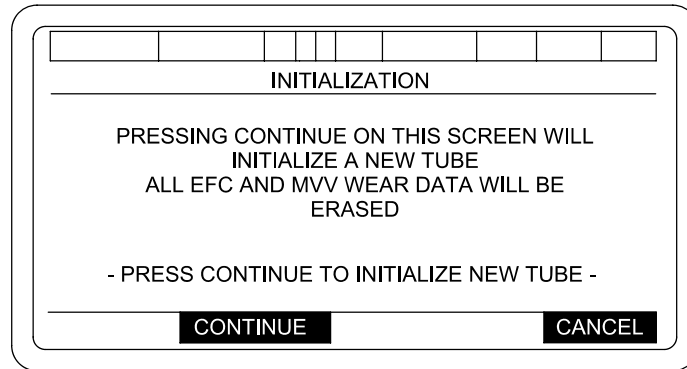
Each of the four functions will not be described separately.

VO-9 PDFCS AND PDI FAULT DETECTION - CONTINUED

O-9.9 Equivalent Full Charge (EFC) - Continued

O-9.9.1 Initialize EFC.

This function is used to Initialize EFC data in the event a new cannon tube is placed on the vehicle.



06pc281ta

If you press CONTINUE, the PDFCS shall display the operator prompt "ARE YOU SURE?" "YES" "NO".

If YES is pressed, the following actions occur automatically and the display will return to the EQUIVALENT FULL CHARGE menu:

- Pullover Gauge Measurement is reset to 6.100 (This also causes EFC Erosion to reset to Zero)
- MVV Wear Database is reset to Zero
- 2408-4 Rounds Information is reset to Zero

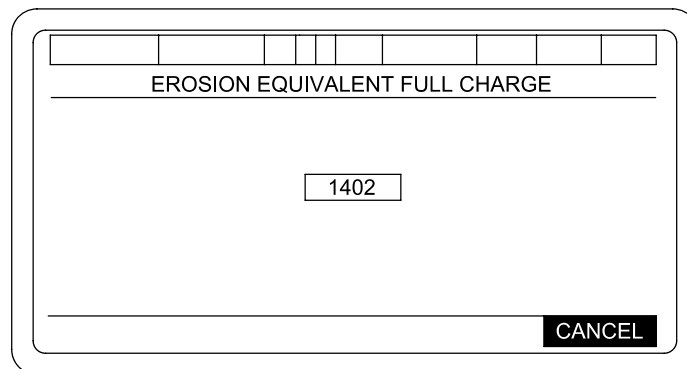
If NO is pressed, the display will return to the EQUIVALENT FULL CHARGE menu.

O-9.9.2 Erosion Equivalent Full Charge.

This function is used to view the Current EFC Erosion Count of the weapon.

NOTE

The maximum value of EFC displayed shall not exceed 2700.



06pc282t

When the CANCEL softkey is pressed, the display shall return to the EQUIVALENT FULL CHARGE menu.

O-9 PDFCS AND PDI FAULT DETECTION - CONTINUED

O-9.9 Equivalent Full Charge (EFC) - Continued

O-9.9.3 Pullover Measurement.

This function is used to view the Current Pullover Gauge Measurement or input a new Pullover Gauge Measurement.

The screenshot shows a rectangular screen with a title bar at the top containing the text "PULLOVER MEASUREMENT". Below the title bar is a numeric input field with the value "6.101". Underneath the input field, the text "ENTER A VALUE FROM 6.100 TO 6.205" is displayed, followed by "-PRESS ENT KEY-". At the bottom right of the screen, there is a button labeled "CANCEL".

06pc282ta

The operator shall only be allowed to enter a Pullover Measurement of 6.100 to 6.205. If the operator enters a value less than 6.100 or greater than 6.205, the PDFCS shall display the operator warning "VALUE TOO BIG" "ACK" or "VALUE TOO SMALL" "ACK". When the ACK softkey is pressed, the display shall return to the previously stored value.

When the ENT key is pressed, the PDFCS shall display the operator prompt "ARE YOU SURE?" "YES" "NO".

If "YES" is pressed, then the PDFCS shall convert the Pullover Gauge Measurement into the equivalent EFC Erosion count and update the EFC Erosion count in the MVV Wear Database. This display will then return to the EQUIVALENT FULL CHARGE menu.

If NO is pressed, the screen will return to the previously stored values for reentry of data.

O-9 PDFCS AND PDI FAULT DETECTION - CONTINUED

O-9.9 Equivalent Full Charge (EFC) - Continued

O-9.9.4 2408-4 Rounds.

This screen allows four separate and distinct functions:

The first allows update of Total Rounds (which shall not affect EFC Erosion) to match the Manual 2408-4. The second permits entry of rounds fired during a period in which the PDFCS was inoperable. The third allows adjustment of rounds entered during Verification or "Other" missions not actually fired. The fourth function allows initialization of a new PDU. When coupled with Pullover Gauge, 2408-4 TOT RNDS PRIOR TO PULLOVER GAUGE, AND "+/- RNDS", the last known EFC Erosion can be duplicated.

NOTE

To maintain accuracy and consistency, the PDFCS database must be restored exactly as it was at the time the PDFCS became inoperable.

2408-4 ROUNDS			
TUBE TOT RNDS			0
PROP/CHARGE		+/- RNDS	TOT RNDS
M3A1	3G	0	0
M3A1	4G	0	0
M3A1	5G	0	0
M4A1	3W	0	0
M4A1	4W	0	0

MORE BELOW

SELECT **CANCEL**

06pc283t

NOTE

Scrolling shall be enabled, with MORE BELOW and MORE ABOVE appearing as appropriate. When +/- RNDS is highlighted and the SELECT softkey is pressed, the following will be displayed:

2408-4 ROUNDS			
TUBE TOT RNDS			2
PROP/CHARGE		+/- RNDS	TOT RNDS
M232	3H		2

TYPE +/- RNDS FIRED
BETWEEN -2 AND 99997

+0

-PRESS ENT KEY-

+/- **CANCEL**

06pc283ta

O-9 PDFCS AND PDI FAULT DETECTION - CONTINUED

O-9.9 Equivalent Full Charge (EFC) - Continued

O-9.9.4 2408-4 Rounds - Continued

When TOT RNDS is highlighted and the SELECT softkey is pressed the following will be displayed.

2408-4 ROUNDS			
TUBE TOT RNDS		0	
PROP/CHARGE	+/- RNDS	TOT RNDS	
M3A1	3G	0	
TYPE TOTAL RNDS FIRED			
BETWEEN 0 AND 99999			
		+0	
-PRESS ENT KEY-			
			CANCEL

06pc284t

Input new value and press ENTER to accept value. When ENTER has been pressed the display will return to the 2408-4 ROUNDS screen.

O-9 PDFCS AND PDI FAULT DETECTION - CONTINUED

O-9.10 PDFCS and PDCU Abbreviations.

ABBREVIATION	NAME
ABCS	ARMY BATTLE COMMAND SYSTEM
AOF or AF	AZIMUTH OF FIRE
ATCCS	ARMY TACTICAL COMMAND AND CONTROL SYSTEM
AUXA	EXTERNAL BATTERY-A
AUXB	EXTERNAL BATTERY-B
AZ	AZIMUTH
AZ/EL	AZIMUTH AND ELEVATION TACHOMETERS
AZTACH	TACHOMETER
BATT	BATTERY
BB2	BRUSH BLOCK #2
BB6	BRUSH BLOCK #6
BB7	BRUSH BLOCK #7
BC	BALLISTIC COMPUTATION
BCS	BATTERY COMPUTER SYSTEM
BDE	BRIGADE
BFA	BATTLEFIELD FUNCTIONAL AREAS
BIT	BUILT IN TEST
BN	BATTALION
BRD	BOARD
BPSL	BYPASS SOLENOID
BPV	BYPASS VALVE
C3	COMMAND, CONTROL, AND COMMUNICATION
CBLS	CABLES
CDP	CONDITION DIPOLE
CHKFIRE	CHECK FIRE
CFN	COOLING FAN
CLCS	CLUTCH SOLENOID
CLV	CLUTCH VALVE
COMMO	COMMUNICATION
COS	CHIEF OF SECTION
COSCH	CHIEF OF SECTION CONTROL HANDLE
COSCH VLF	CHIEF OF SECTION CONTROL HANDLE VELOCITY FUSE
COTS	COMMERCIAL OFF THE SHELF
CP	COMMUNICATIONS PROCESSING
CPCI	COMPUTER PROGRAM CONFIGURATION ITEM
CPU	COMPUTER PROCESSING UNIT
CRSH	CURRENT SHUNT
CTRL	CONTROL
CTSW	COOLING TEMPERATURE SWITCH

O-9 PDFCS AND PDI FAULT DETECTION - CONTINUED**O-9.10 PDFCS and PDCU Abbreviations - Continued**

ABBREVIATION	NAME
DAGR	DEFENSE ADVANCED GPS RECEIVER
DRU	DYNAMIC REFERENCE UNIT
DRUH	DYNAMIC REFERENCE UNIT HYBRID
EDS	ENHANCED DISPLAY SYSTEM
EL	ELEVATION
ELHP	ELEVATION HAND PUMP
ELSL	ELEVATION SELECT SOLENOID
ELSV	ELEVATION SERVO VALVE
ELTACH	ELEVATION TACHOMETER
ELTRUN	ELEVATION TRUNNION
ELV	ELEVATION SELECT VALVE
EPIAFS	ENHANCED PORTABLE INDUCTIVE ARTILLERY FUZE SETTER
EQ	EQUILIBRATION
EQA	EQUILIBRATION ASSEMBLY
EQACC	EQUILIBRATION ACCUMULATOR
EQHP	EQUILIBRATOR HANDPUMP
EQMANIFOLD	EQUILIBRATION MANIFOLD
EQ CHARGE VALVE	EQUILIBRATOR CHARGE VALVE
FC	FIRE CONTROL
FIL	FILTER
FILA	FILTER ASSEMBLY
FIREMSN	FIRE MISSION
FLOM	FLOWMETER
FLU	FLUID
FLUSN	FLUID LEVEL SENSOR
GB	GIGABYTES
GCH	GUNNER'S CONTROL HANDLE
GNR	GUNNER
GPS	GLOBAL POSITIONING SYSTEM
HCB	HYDRAULIC CONTROL BOX
HPUMP	HANDPUMP
HYD	HYDRAULIC
HYM	HYDRAULIC PUMP ELECTRIC MOTOR
HYP	HYDRAULIC PUMP
HYPR	HYDRAULIC POWER RELAY
IFS	INDUCTIVE FUZE SETTER
INP	INPUT
KU	KEYBOARD UNIT

O-9 PDFCS AND PDI FAULT DETECTION - CONTINUED**O-9.10 PDFCS and PDCU Abbreviations - Continued**

ABBREVIATION	NAME
LAN	LOCAL AREA NETWORK
MB	MEGABYTES
MO	MOVE ORDER
MSL	MODE SELECT SOLENOID
MSV	MODE SELECT VALVE
MVS	MUZZLE VELOCITY SENSOR
MVV	MUZZLE VELOCITY VARIANCE
NA	NAV ASSIST
NAV	NAVIGATION
NRZ	NON-RETURN TO ZERO
NVM	NON-VOLATILE MEMORY
OLSN	OVERLOAD SENSOR
PCU/PCU-2	POWER CONDITIONER UNIT-2
PDCU	PROGNOSTIC DIAGNOSTIC INTERFACE UNIT
PDFCS	PALADIN DIGITAL FIRE CONTROL SYSTEM
PDI	PROGNOSTIC/DIAGNOSTIC INTERFACE
PDU	PALADIN DISPLAY UNIT
PIK	PLATFORM INTEGRATION KIT
PLGR	PRECISION LIGHTWEIGHT GPS RECEIVER
PRESS	PRESSURE
PSIAD	PALADIN SERIAL INTERFACE ADAPTER DEVICE
PWR	POWER
PXDCR	PRESSURE TRANSDUCER
RAM	RANDOM ACCESS MEMORY
REFIL	RETURN FILTER
RHDDC	REMOVABLE HARD DISK DRIVE CARTRIDGE
RR	RADIO RACK
SA	SITUATIONAL AWARENESS
SFIL	SUPPLY FILTER
SH	SHUNT
SINCGARS	SINGLE CHANNEL GROUND & AIRBORNE RADIO SUBSYSTEM
SL	SOLENOID
SN	SENSOR
SR	SLIP RING
SV	SERVO
SW	SWITCH
SYS	SYSTEM
TEMP	TEMPERATURE
TOC	TACTICAL OPERATION CENTER
TOT	TIME ON TARGET
TRAV	TRAVERSE
TRAV GEAR	TRAVERSING GEAR

O-9 PDFCS AND PDI FAULT DETECTION - CONTINUED**O-9.10 PDFCS and PDCU Abbreviations - Continued**

ABBREVIATION	NAME
TRDM	TRAVERSE DRIVE MECHANISM
TRLSL	TRAVERSE LIMIT SOLENOID
TRLSW	TRAVERSE LIMIT SWITCH
TRLV	TRAVERSE LIMIT VALVE
TRSL	TRAVERSE SELECT SOLENOID
TRSV	TRAVERSE SERVO VALVE
TRV	TRAVERSE SELECT VALVE
TSN	TEMPERATURE SENSOR
TTCBL	TUBE TEMPERATURE SENSOR GFE CABLE
TTTSN	TUBE TEMPERATURE SENSOR
TXDCR	TEMPERATURE TRANSDUCER
USRDEF	USER DEFINED
VMS	VEHICLE MOTION SENSOR
VMSC	VEHICLE MOTION SENSOR MODEM-CAB
VMSH	VEHICLE MOTION SENSOR MODEM-HULL
VLF	VELOCITY FUSES
WC	WEAPONS CONTROLLER
WPN	WEAPON
WTSL	WARMUP TEMPERATURE SOLENOID
WTSW	WARMUP TEMPERATURE SWITCH
WTV	WARMUP TEMPERATURE VALVE

O-9 PDFCS AND PDI FAULT DETECTION - CONTINUED

O-9.11 Software Version/Configuration Display.

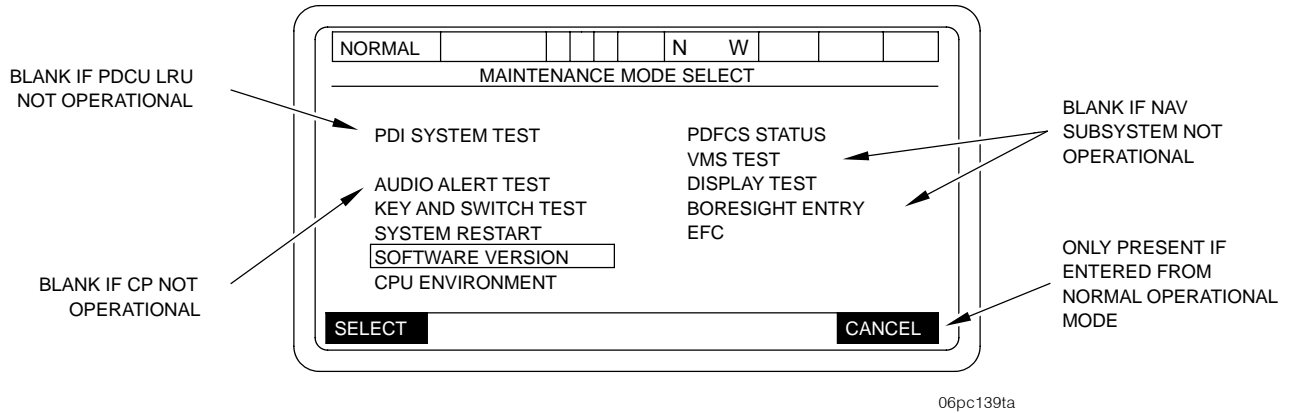
To view detailed software configuration information for each Computer Program Configuration Item (CPCI) move cursor to "SOFTWARE VERSION" on the MAINTENANCE MODE SELECT menu.

NOTE

- Information displayed from the DRUH can be interpreted as version configuration data.
- When a CPCI other than the DCU is reported with an indirect configuration, then the system will run in a degraded mode and will declare the CPCI as unavailable.
- Initially, the ACQUIRED information of the display will give the boot loader, system software version and build data for each computer program configuration item that is acceptable to the system software configuration.
- If the CPCI is not acceptable, there will be an asterisk (*) to the left of the CPCI. If the asterisk is present, this will cause the system to operate in the DEGRADED mode unless the asterisk appears next to DCU, then the system will only operate in the maintenance mode.
- To check which version of software is acceptable, press softkey under EXPECTED.
- If a CPCI is blank, the version of software loaded is acceptable with any system configuration.
- If uploading of software is required, notify unit maintenance.

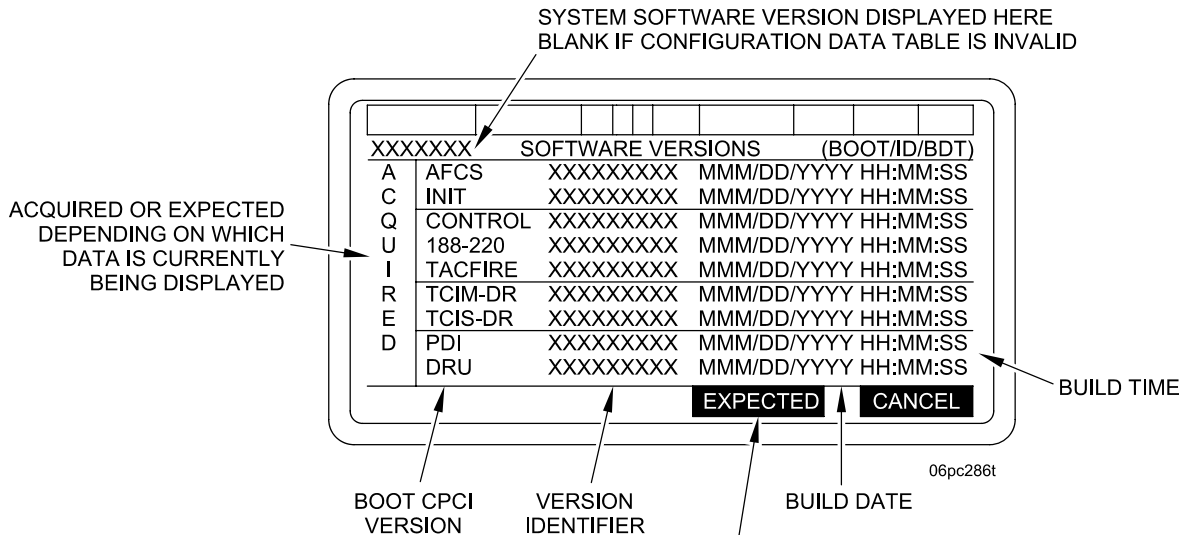
O-9 PDFCS AND PDI FAULT DETECTION - CONTINUED

O-9.11 Software Version/Configuration Display - Continued



06pc139ta

Press softkey label "SELECT" and the SOFTWARE VERSION/CONFIGURATION display as shown below will appear.



06pc286t

NOT PRESENT IF VERSION CONFIGURATION DEFINITION TABLE IS NOT VALID. EXPECTED OR ACQUIRED DEPENDING ON WHICH DATA IS CURRENTLY BEING DISPLAYED.

NOTE: A * IS PLACED TO THE LEFT OF ANY UNIT THAT HAS PROVIDED DATA THAT DOES NOT MATCH THE SOFTWARE CONFIGURATION TABLE ENTRY FOR THAT UNIT.

O-9 PDFCS AND PDI FAULT DETECTION - CONTINUED

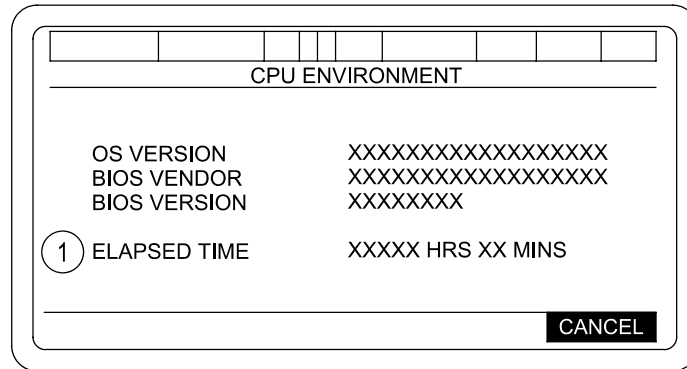
O-9.12 CPU Environment Display.

This display allows the operator to view system-related parameters as follows:

Inputs:

1. Operating System Version (O/S)
2. BIOS Information (Vendor & Version)
3. Elapsed Time Meter (in hours)

The tactical software receives the data listed above from the PDCU and presents this information to the operator on the PDU. This information is used by maintenance personnel.



06pc428ma

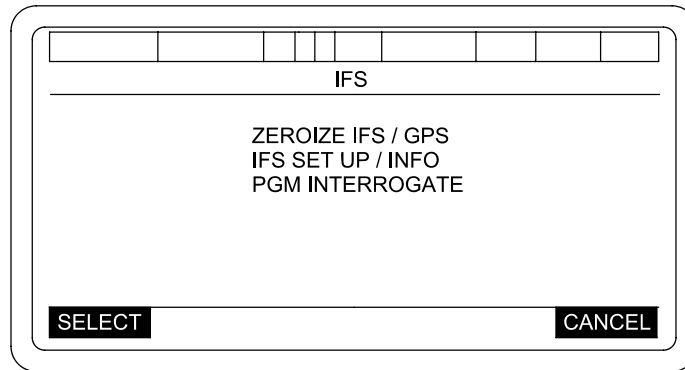
- ① The "ELAPSED TIME" line is not present on a PDCU system because the PDCU uses a mechanical timer to perform this function.

O-9 PDFCS AND PDI FAULT DETECTION - CONTINUED

O-9.13 Inductive Fuze Setter Display

The Inductive Fuze Setter (IFS) is an interface for EPIAFS components: PIK, setter, and setter cable. The IFS provides GPS data and projectile information for Excalibur munitions.

O-9.13.1 Zeroize IFS/GPS



06pc071mf



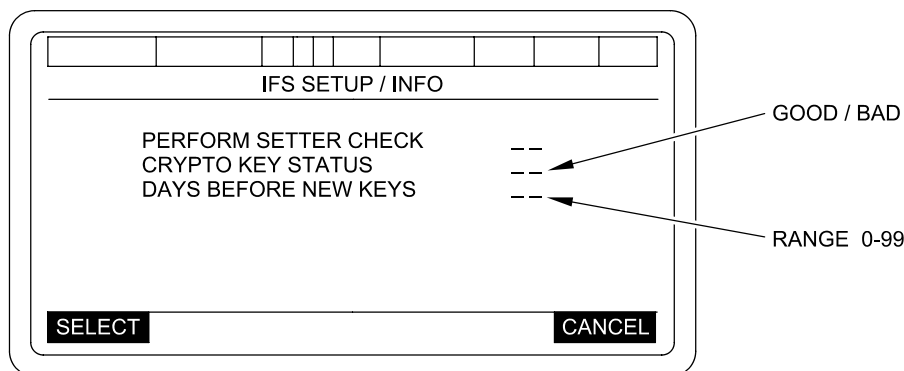
Zeroizing keys will cause PGM INCAPABLE.

Selection of ZEROIZE IFS/GPS will result in the display of the confirmation message “ARE YOU SURE” “YES” “NO”. NO will result in no action. Selection of YES will send EPIAFS Zeroize Crypto Keys message to the PIK.

NOTE

- If Zeroize command is successful, Paladin will display “ZEROIZE IFS/GPS COMPLETE”.
- If Zeroize command is not successful, Paladin will display “ZEROIZE IFS/GPS FAILED” “ACK”.

O-9.13.2 IFS Setup/Information



06pc071me

Select PERFORM SETTER CHECK and Paladin will display the operator prompt “PERFORM SETTER CHECK?” “YES” “NO”.

Selection of YES or NO will set PERFORM SETTER CHECK to that corresponding value. No further action will occur until a new power-up or restart of the Paladin software.

O-9 PDFCS AND PDI FAULT DETECTION - CONTINUED

O-9.13 Inductive Fuze Setter Display - Continued

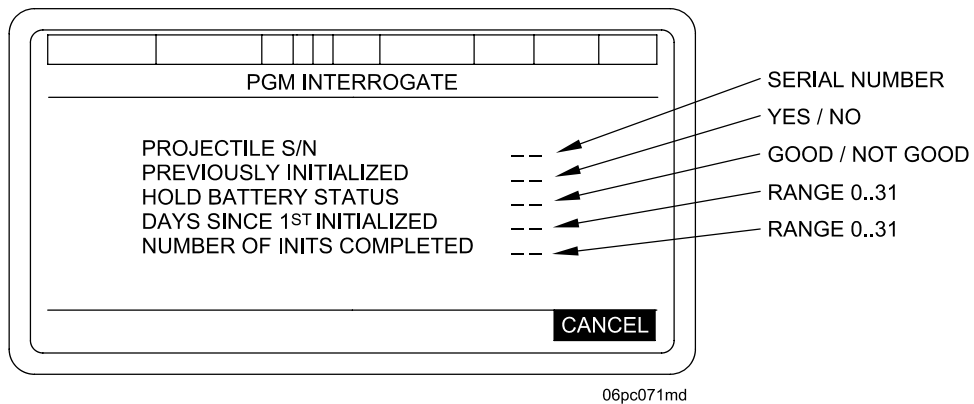
NOTE

- If NO was previously selected and this is a new software power-up or restart and the IFS Subsystem BIT is OUT, this will not cause the Fault BIT Lamp to illuminate.
- If YES was previously selected and this is a new software power-up or restart and IFS Subsystem BIT is OUT, this will cause Fault BIT Lamp to illuminate.

CANCEL will transition the display back to the IFS display.

O-9.13.3 PGM Interrogate.

Selection of of PGM INTERROGATE will send a command to the PIK to interrogate the XM982 and M982 projectile. If successful, Paladin will display the PGM INTERROGATE screen.



All data values for the PGM INTERROGATE screen are obtained from EPIAFS. If no data is available, -- will be displayed for that item.

CANCEL will transition the display back to the IFS display.

O-10 SYMPTOM INDEX.

NOTE

- Before you use this troubleshooting table, be sure you have performed all applicable operating checks in Chapter 2.
- For corrective actions of malfunctions not listed in this table, notify unit maintenance.
- Wherever the word lubricate appears, see Appendix I.

The following symptom index is to assist you in locating the correct troubleshooting procedure quickly.

	Troubleshooting Procedure Page
PDFCS	
PDFCS-Software Lockup	O-248
Cab does not traverse freely under PDFCS control	O-248
Cab creeps under PDFCS control	O-249
Gun tube does not move to LOAD position when LOAD is selected under PDFCS control	O-250
Gun tube does not move to STOW position when STOW is selected under PDFCS control	O-251
Gun tube does not move to LAY position when LAY is selected under PDFCS control	O-252
PDU does not power up	O-253
Training mode cannot be selected	O-253
PDFCS is not able to receive a mission	O-253
No audible alert for COS or crew (PDU power is ON)	O-254
PDU messages are garbled/hard to read	O-254
Keypad softkeys/arrow keys/keypad switches, LOAD, LAY, or STOW keys do not respond properly	O-254
NAV subsystem fault (degraded mode) is indicated	O-254
PDU subsystem fault (degraded mode) is indicated	O-255
WPN subsystem fault (degraded mode) is indicated	O-255
PDCU subsystem fault (degraded mode) is indicated	O-255
PCU-2 subsystem fault (degraded mode) is indicated	O-255
PMVS subsystem fault (degraded mode) is indicated	O-256
PDFCS position drifts/PDCU "OP FAIL" is indicated or subsystem (degraded mode) is indicated	O-256
IFS subsystem fault (degraded mode) is indicated	O-257

Table O-20. TROUBLESHOOTING

MALFUNCTION**TEST OR INSPECTION****CORRECTIVE ACTION****PDFCS****WARNING**

Before troubleshooting PDFCS gun positioning faults, make sure immediate area around and in the howitzer is clear of nonessential personnel and that no other equipment is within the 360 degree radius of the cab. Before moving gun servo switch to the ON position, announce loudly to everyone in immediate area, "PDFCS POWER ON". Serious injury or death, and/or equipment damage could result.

1. PDFCS - SOFTWARE LOCKUP

Step 1. Place PDU POWER switch OFF and wait at least 5 seconds.

Step 2. Place PDU POWER switch ON and restart system. If lockup persists, notify unit maintenance.

2. CAB DOES NOT TRAVERSE FREELY UNDER PDFCS CONTROL.

NOTE

Verify following: main drive gears and gun tube are unobstructed and main hydraulic pressure is at 1925 psi \pm 50 psi.

Step 1. Verify that GUN SERVO light illuminates when LAY button is pressed.

a. If not ON, place gun switch ON.

b. If switch is ON, go to step 2.

Step 2. Check to see if you are in NORMAL OPERATIONS mode.

a. Verify that TRAVERSE mode switch is in the POWER position. Check PDU for mode display. Status line will indicate mode.

If not, enter proper mode.

b. If in NORMAL OPERATIONS mode, check display fields.

(1) Verify that LOAD, LAY, or STOW fields are displayed on PDU when GUN SERVO SWITCH is on.

(2) LOAD, LAY, or STOW fields (graphics) are highlighted when displayed.

Gun is already in proper position.

(3) LOAD, LAY, or STOW fields (graphics) are displayed in normal form.

Reselect proper functional key. If cab does not traverse freely, notify unit maintenance. Complete mission in DEGRADED mode.

(4) LOAD, LAY, or STOW fields are not displayed.

If fields are not displayed, go to step 3.

Table O-20. TROUBLESHOOTING - Continued

MALFUNCTION	
TEST OR INSPECTION	CORRECTIVE ACTION
PDFCS - Continued	
Step 3.	Check PDU for fault indication.
	a. GUN SERVO indicator not lit during LOAD/LAY/STOW operation. Run PDI System Test (para O-9.3) and notify unit maintenance. Complete mission in DEGRADED mode.
	b. FAULT indicator lit. Check status line for faulty hardware, run PDI System Test (para O-9.3) and notify unit maintenance. Complete mission in DEGRADED mode.
3.	CAB CREEPS UNDER PDFCS CONTROL.
Step 1.	Verify that GUN SERVO ON/OFF switch is ON.
	a. If not ON, place switch ON.
	b. If switch is ON, go to step 2.
Step 2.	Check to see if you are in NORMAL OPERATIONS mode.
	a. Check PDU for mode display. If not in proper mode, enter proper mode.
	b. If in NORMAL OPERATIONS mode, check display fields.
	(1) Verify that LOAD, LAY, or STOW fields are displayed on PDU.
	(2) LOAD, LAY, or STOW fields are highlighted, when displayed. Gun is already in proper position, cab should not creep. If cab still creeps, notify unit maintenance. Complete mission in DEGRADED mode.
	(3) LOAD, LAY, or STOW fields are displayed properly. Reselect proper functional key. If cab still creeps, notify unit maintenance.
	(4) LOAD, LAY, or STOW fields are not displayed. If fields are not displayed, go to step 3.
Step 3.	Check PDU for fault indication.
	a. GUN SERVO indicator not lit during LOAD/LAY/STOW operation. Run PDI System Test (para O-9.3) and notify unit maintenance. Complete mission in DEGRADED mode.
	b. FAULT indicator lit. Check status line on PDU for faulty hardware, run PDI System Test (para O-9.3), and notify unit maintenance. Complete mission in DEGRADED mode.

Table O-20. TROUBLESHOOTING - Continued

MALFUNCTION**TEST OR INSPECTION****CORRECTIVE ACTION****PDFCS - Continued**

4. GUN TUBE DOES NOT MOVE TO LOAD POSITION WHEN LOAD IS SELECTED UNDER PDFCS CONTROL.
- Step 1. Verify that GUN SERVO ON/OFF switch is ON.
- If not ON, place switch ON.
 - If switch is ON, go to step 2.
- Step 2. Check to see if you are in NORMAL OPERATIONS mode.
- Verify that TRAVERSE mode switch is in the POWER position. Check PDU for mode display.
If not in proper mode, enter proper mode.
 - If in NORMAL OPERATIONS mode, check display fields.
 - Verify that LOAD, LAY or STOW fields are displayed on PDU.
 - LOAD, LAY, or STOW fields are highlighted, when displayed.
Gun is already in proper position.
 - LOAD, LAY, or STOW fields are displayed properly.
Reselect proper functional key. If gun tube still does not move to LOAD position, notify unit maintenance. Complete mission in DEGRADED mode.
 - LOAD, LAY, or STOW fields are not displayed.
If fields are not displayed, go to step 3.
- Step 3. Check PDU for fault indication.
- GUN SERVO indicator not lit during LOAD/LAY/STOW operation.
Run PDI System Test (para O-9.3) and notify unit maintenance. Complete mission in DEGRADED mode.
 - FAULT indicator lit.
Check status line on PDU for faulty hardware, run PDI System Test (para O-9.3), and notify unit maintenance. Complete mission in DEGRADED mode.

Table O-20. TROUBLESHOOTING - Continued

MALFUNCTION	TEST OR INSPECTION	CORRECTIVE ACTION
PDFCS - Continued		
5. GUN TUBE DOES NOT MOVE TO STOW POSITION WHEN STOW IS SELECTED UNDER PDFCS CONTROL.	Step 1. Verify that GUN SERVO ON/OFF switch is ON.	<ul style="list-style-type: none"> a. If not ON, place switch ON. b. If switch is ON, go to step 2.
	Step 2. Check to see if you are in NORMAL OPERATIONS mode.	<ul style="list-style-type: none"> a. Verify that TRAVERSE mode switch is in the POWER position. Check PDU for mode display. If not in proper mode, enter proper mode. b. If in NORMAL OPERATIONS mode, check display fields. <ul style="list-style-type: none"> (1) Verify that LOAD, LAY, or STOW fields are displayed on PDU. (2) LOAD, LAY, or STOW fields are highlighted when displayed. Gun tube is already in proper position. (3) LOAD, LAY, or STOW fields are displayed properly. Reselect proper functional key. If gun tube does not traverse/elevate freely, notify unit maintenance. Complete mission in DEGRADED mode. (4) LOAD, LAY, or STOW fields are not displayed. If fields are not displayed, go to step 3.
	Step 3. Check PDU for fault indication.	<ul style="list-style-type: none"> a. GUN TUBE SERVO indicator not lit during LOAD/LAY/STOW operation. Run PDI System Test (para O-9.3) and notify unit maintenance. Complete mission in DEGRADED mode. b. FAULT indicator lit. Check status line on PDU for faulty hardware, run PDI System Test (para O-9.3), and notify unit maintenance. Complete mission in DEGRADED mode.

Table O-20. TROUBLESHOOTING - Continued

MALFUNCTION**TEST OR INSPECTION****CORRECTIVE ACTION****PDFCS - Continued**

6. GUN TUBE DOES NOT MOVE TO LAY POSITION WHEN LAY IS SELECTED UNDER PDFCS CONTROL.

Step 1. Verify that GUN SERVO ON/OFF switch is ON.

- a. If not ON, place switch ON.
- b. If switch is ON, verify TRAVERSE LOCK is in UNLOCKED position. Go to step 2.

Step 2. Check to see if you are in NORMAL OPERATIONS mode.

- a. Verify that TRAVERSE mode switch is in the POWER position. Check PDU for mode display.

If not in proper mode, enter proper mode.

- b. If in NORMAL OPERATIONS mode, check display fields.

(1) Verify that LOAD, LAY, or STOW fields are displayed on PDU.

(2) LOAD, LAY, or STOW fields are highlighted, when displayed.

Gun tube is already in proper position.

(3) LOAD, LAY, or STOW fields are displayed properly.

Reselect proper functional key. If gun tube still does not move to LAY position, notify unit maintenance. Complete mission in DEGRADED mode.

(4) LOAD, LAY, or STOW fields are not displayed.

If fields are not displayed, go to step 3.

Step 3. Check PDU for fault indication.

- a. GUN TUBE SERVO indicator not lit during LOAD/LAY/STOW operation.

Run PDI System Test (para O-9.3) and notify unit maintenance. Complete mission in DEGRADED mode.

- b. FAULT indicator lit.

Check status line on PDU for faulty hardware and notify unit maintenance. Complete mission in DEGRADED mode.

Table O-20. TROUBLESHOOTING - Continued

MALFUNCTION	TEST OR INSPECTION	CORRECTIVE ACTION
PDFCS - Continued		
7. PDU DOES NOT POWER UP.	Step 1. Verify that MASTER and HYDRAULIC POWER switches are ON.	<ul style="list-style-type: none"> a. If not ON, place switch(es) ON. b. If switch(es) are ON, go to step 2.
	Step 2. Verify that PCU-2 circuit breakers are ON.	<ul style="list-style-type: none"> a. If not ON, place appropriate circuit breaker(s) ON. b. If all circuit breakers are ON, notify unit maintenance.
8. TRAINING MODE CANNOT BE SELECTED.	Step 1. Verify that you are in the proper mode for TRAINING selection.	<ul style="list-style-type: none"> a. If not, enter TRAINING mode. b. If in TRAINING mode, place the TRAINING ON/OFF switch in ON position.
	Step 2. TRAINING mode still cannot be entered.	Notify unit maintenance.
9. PDFCS IS NOT ABLE TO RECEIVE A MISSION.	Step 1. Verify that during POWER UP STATUS, PDFCS is okay.	<ul style="list-style-type: none"> a. PDFCS subsystems do not check out as OK. If not OK, notify unit maintenance. If degraded, go to step 2. b. PDFCS subsystems check out OK. Go to step 2.
	Step 2. Verify that you are in proper mode (NORMAL OPERATIONS).	<ul style="list-style-type: none"> a. If not in proper mode, enter NORMAL OPERATIONS mode and go through NETWORK display until you get to SETUP AND INFORMATION display. Now go to step 3. b. If already in proper mode, go to step 3.
	Step 3. Verify that data entry has been provided and is correct for all items marked with an * on SETUP AND INFORMATION display.	<ul style="list-style-type: none"> a. If data has not been entered, enter data now to initialize system. Now system is able to receive a mission. b. If data has been entered for the * items and you still are unable to receive a mission, notify unit maintenance.

Table O-20. TROUBLESHOOTING - Continued

MALFUNCTION**TEST OR INSPECTION****CORRECTIVE ACTION****PDFCS - Continued**

10. NO AUDIBLE ALERT FOR COS OR CREW (PDU POWER IS ON).
- Step 1. Verify that wire/cable connections are tight.
If wire/cable connections are tight, go to step 2.
- Step 2. Go to para O-9.5 and perform Audio Alert Test.
- If intercom is not adjusted properly, adjust it now.
 - Rerun Audio Alert Test and go to step 3.
- Step 3. If there is still no audible signal, notify unit maintenance that intercom/PDFCS is faulty.
11. PDU MESSAGES ARE GARBLED/HARD TO READ.
- Step 1. Verify that wire/cable connections are tight.
If wire/cable connections are tight, go to step 2.
- Step 2. Go to para O-9.6 and perform Display Test.
- If test indicates that some of the pixels on PDU are burned out, notify unit maintenance that PDU is faulty.
 - If test does not indicate a problem with pixels, have unit maintenance check PDFCS.
12. KEYPAD SOFTKEYS/ARROW KEYS/KEYPAD SWITCHES, LOAD, LAY, OR STOW KEYS DO NOT RESPOND PROPERLY.
- Step 1. Verify PDFCS window is active by touching or left clicking on the window area or the PDFCS button on the task bar. If this doesn't correct the problem, proceed to step 2.
- Step 2. Verify that cable/harness connections are tight.
If wire/cable connections are tight, go to step 3.
- Step 3. Go to para O-9.7 and perform Key and Switch Test.
- If test indicates a fault, notify unit maintenance that PDU is faulty.
 - If no fault is indicated, notify unit maintenance to check PDFCS.
13. NAV SUBSYSTEM FAULT (DEGRADED MODE) IS INDICATED.
- Step 1. Verify that wire/cable connections are tight.
If wire/cable connections are tight, go to step 2.
- Step 2. Traverse cab left and right 90 degrees from travel lock position and verify fault has been eliminated. If not, clean slip ring segment boards (para 3-8.17) and try the VMS test again before notifying unit maintenance.
- Step 3. Go to para O-9.2 and perform PDFCS Status.
- Determine which subsystem is degraded. If VMS fault is indicated, go to para O-9.4 and perform VMS Test. Notify unit maintenance of particular fault.
 - Check PDCU reconfiguration advice (Appendix G.4). Determine if DEGRADED mode is acceptable. (Certain degraded subsystems will not interfere with PDFCS operation or mission capability, i.e., VMS is out.) If acceptable, continue mission.

Table O-20. TROUBLESHOOTING - Continued

MALFUNCTION**TEST OR INSPECTION****CORRECTIVE ACTION****PDFCS - Continued**

14. PDU SUBSYSTEM FAULT (DEGRADED MODE) IS INDICATED.

Step 1. Verify that wire/cable connections are tight.

If wire/cable connections are tight, go to step 2.

Step 2. Go to para O-9.2 and perform PDFCS Status.

a. Determine which subsystem is degraded. Notify unit maintenance of particular fault.

b. Determine if DEGRADED mode is acceptable. (Certain degraded subsystems will not interfere with PDFCS operation or mission capability; i.e., Embedded Trainer is out.) If acceptable, continue mission.

15. WPN SUBSYSTEM FAULT (DEGRADED MODE) IS INDICATED.

Step 1. Verify that wire/cable connections are tight.

If wire/cable connections are tight, go to step 2.

Step 2. Go to para O-9.2 and perform PDFCS Status.

a. Determine which subsystem is degraded. Notify unit maintenance of particular fault.

b. Check PDCU reconfiguration advice (Appendix G.4). Determine if DEGRADED mode is acceptable. (Certain degraded subsystems will not interfere with PDFCS operation or mission capability; i.e., Tube Temp is out.) If acceptable, continue mission.

16. PDCU SUBSYSTEM FAULT (DEGRADED MODE) IS INDICATED.

Step 1. Verify that wire/cable connections are tight.

If wire/cable connections are tight, go to step 2.

Step 2. Go to para O-9.2 and perform PDFCS Status.

a. Determine which subsystem is degraded. Notify unit maintenance of particular fault.

b. Determine if DEGRADED mode is acceptable. (Certain degraded subsystems will not interfere with PDFCS operation or mission; i.e., PDCU is out.) If acceptable, continue mission.

17. PCU-2 SUBSYSTEM FAULT (DEGRADED MODE) IS INDICATED.

Step 1. Verify that wire/cable connections are tight.

If wire/cable connections are tight, go to step 2.

Step 2. Go to para O-9.2 and perform PDFCS Status.

a. Determine which subsystem is degraded. Notify unit maintenance of particular fault.

b. Determine if DEGRADED mode is acceptable. (Certain degraded subsystems will not interfere with PDFCS operation or mission capability; i.e., PCU-2 BIT failed.) If acceptable, continue mission.

Table O-20. TROUBLESHOOTING - Continued

MALFUNCTION
TEST OR INSPECTION
CORRECTIVE ACTION

PDFCS - Continued

18. PMVS SUBSYSTEM FAULT (DEGRADED MODE) IS INDICATED.
 - Step 1. Verify that cable/harness connections are tight.
If wire/cable connections are tight, go to step 2.
 - Step 2. Go to para O-9.2 and perform PDFCS Status.
 - a. Determine which subsystem is degraded. Notify unit maintenance of particular fault.
 - b. Determine if DEGRADED mode is acceptable. (Certain degraded subsystems will not interfere with PDFCS operation or mission capability; i.e. PCU-2 BIT failed.) If acceptable, continue mission.
19. PDFCS POSITION DRIFTS/PDCU "OP FAIL" IS INDICATED OR SUBSYSTEM (DEGRADED MODE) IS INDICATED.

NOTE

- Infrequently, the PDFCS position has been observed to drift while the howitzer is stationary, or the "NAV OUT - DRU OP FAIL" alert message is displayed, for no apparent reason. These problems have been traced to errors in communications between the PDFCS and PDCU. With the GPS receiver (DAGR) installed and the PDFCS operated in a GPS aided mode, the problem will be bound to an acceptable level. If the DAGR is off or not receiving acceptable signals from four satellites, the drift may occur to an unacceptable level.
- Unless there is an operational constraint on using GPS, it is recommended that the DAGR be installed and the PDFCS be operated in the GPS aided mode.

Follow the steps below if position is drifting when the howitzer is stationary and any of the following symptoms are observed: Note that these conditions are normal when the howitzer is travelling.

- a. "ZPT" is displayed in field 6 in the top line of the display. (Note that it takes about 30 seconds after the vehicle stops for a normal "ZPT" indication to clear.)
- b. PDFCS position changes more than 10 meters.
- c. The "ZUPT REQUIRED" alert message is displayed.
- d. The "NAV POS UPDATE REQUESTED" alert message is displayed.
- e. The "PRESS ACK WHEN TUBE STOWED" alert message is displayed when the howitzer hasn't traveled.
- f. The "POS UPDATE INTERRUPTED" alert message is displayed after a NAV UPDATE is attempted.
- g. The "POS UPDATE RJTD HOWITZER MOVG" alert message is displayed after a NAV UPDATE is attempted.

Table O-20. TROUBLESHOOTING - Continued

MALFUNCTION**TEST OR INSPECTION****CORRECTIVE ACTION****PDFCS - Continued****NOTE**

The "POSITION UPDATE REQUIRED" alert message can be triggered by several conditions. Unless accompanied by one of the above indications, it is not a symptom of position drift.

If any of the position drift symptoms are observed or the "NAV OUT - DRU OP FAIL" alert message is displayed, perform the following procedure:

- Step 1. Power down the PDFCS.
- Step 2. Power the PDFCS back up.
- Step 3. Reinitialize the PDFCS.

NOTE

Do not replace the PDCU for position drift or PDCU OP FAIL problems. If cycling power, as discussed above, doesn't relieve the symptoms, notify unit maintenance.

20. IFS SUBSYSTEM FAULT (DEGRADED MODE) IS INDICATED.

- Step 1. Verify the wire/cable connections are tight.
If wire/cable connections are tight, go to step 2.
- Step 2. Go to para O-9.2 and perform PDFCS status.
 - a. Determine which component is degraded. Notify unit maintenance of any replacement recommendations.
 - b. For GPS degradation, refer to TM 11-5825-291-13 for PLGR and TM 11-5820-1172-13 for DAGR.

O-11 PDFCS CONFIDENCE TESTS.

O-11.1 Verification of Position and Direction Using Survey Data.

NOTE

To perform the direction tests, it is important that the spheroid and grid zone stored in the PDFCS map mod are correct for the area of operation. If the PDFCS spheroid and grid zone are incorrect, get a correct map mod from FDC (select GET INITIALIZATION on the FDC DATA XFER menu) or enter the correct spheroid and grid zone by selecting ENTER SPHEROID/DATUM on the SETUP AND INFORMATION menu.

During field training or combat, the position and direction data shown by the PDFCS can be checked by using a surveyed location. The built-in-test (BIT) does not fully assure that the PDFCS accuracy is within tolerance.

To perform the position test, two carefully surveyed points about 3-4 km apart are required, with an accuracy of 1:1000 or better.

To perform the direction test, there are three options:

- Surveyed orienting station and end of orienting line (OS/EOL). The OS should be at least 100 meters from the howitzer survey point.
- A surveyed azimuth to a distant aiming point (DAP) that is at least 1500 meters away from the survey point. A closer point may be used, but the test will not be as accurate.
- When no survey azimuth is available, a deflection test using the PANTEL is possible.

Perform the tests as follows.

O-11.1.1 Verification of Position Using Survey Points.

- a. Initialize the PDFCS with the howitzer left front sprocket within one meter of the first survey point. Ensure easting, northing, and altitude match the data posted on the survey marker.

NOTE

If a surveyed azimuth to a DAP will be used for a direction test at the second survey point, then the FDC move order should include the azimuth to DAP as the center of sector. If a manual move order is used, first enter the azimuth to DAP as the center of sector on the DEFINE SECTOR OF FIRE menu (select SECTOR OF FIRE from SETUP AND INFORMATION menu). Then by positioning howitzer at second survey point with vehicle heading aligned with center of sector, you will ensure the tube is pointed toward the DAP.

- b. After the nav subsystem is fully aligned, receive a move order from FDC (destination INIT POINT) to the second survey point. If FDC is not available, enter a manual move order to the second survey point.
- c. Move to the second survey point without stopping.
- d. Upon arrival at the survey point, position howitzer with the left front sprocket within one meter of survey point. Wait 30 seconds before proceeding to next step.

O-11 PDFCS CONFIDENCE TESTS - CONTINUED

O-11.1 Verification of Position and Direction Using Survey Data - Continued

O-11.1.1 Verification of Position Using Survey Points - Continued

- e. With the STEER TO screen displayed, read and record PDFCS position data under POSN (easting, northing, and altitude) and the range to destination (RNG) in the upper right corner of the screen. Subtract the POSN altitude from the DESTN altitude.
- f. Compare the data obtained in step e with the following tolerances.

RNG	26 meters or less
Altitude Difference	± 26 meters
- g. If the PDFCS data is within tolerance, but the POSN easting, northing, and altitude do not match the survey marker data exactly, then press ARRIVED key and do a NAV POSN UPDATE, using the NAV POSN UPDATE screen from the SETUP AND INFORMATION menu.
- h. If PDFCS data is within tolerance, position test is complete. Skip the steps below and proceed to the chosen method for testing direction.
- i. If the PDFCS data is out of tolerance, verify the DESTN easting, northing, and altitude matches the data on the survey marker. If they do not match, record the survey marker data for later use.
- j. Press ARRIVED key. Select NAV POSN UPDATE from the SETUP AND INFORMATION menu to enter the survey marker data. Do a NAV POSN UPDATE by pressing the USE ALL key.
- k. After the nav subsystem is fully aligned, receive a MOVE ORDER from FDC (or do a manual move order) to the first survey point.
- l. Move to the first survey point without stopping.
- m. Repeat steps d. through f. at the first survey point. Record the data and note whether the PDFCS is in or out of tolerance.
- n. Press ARRIVED key. Select NAV update from the SETUP AND INFORMATION menu to enter the survey marker data. Do a NAV position update by pressing the USE ALL key.
- o. After the nav subsystem is fully aligned, receive a move order from FDC (or do a manual move order) to the second survey point.
- p. Move to the second survey point without stopping.
- q. Repeat steps d. through f. at the second survey point. Record the data and note whether the PDFCS is in or out of tolerance.
- r. If the PDFCS was out of tolerance two out of three trials, notify unit maintenance.
- s. If the PDFCS was in tolerance two out of three trials, press ARRIVED key. Select NAV UPDATE from the SETUP AND INFORMATION menu and enter the second survey marker data. Do a NAV POSN UPDATE by pressing USE ALL key. Proceed to the chosen method for testing direction.

O-11.1.2 Verification of Direction Using an OS/EOL.

The PDFCS nav subsystem uses gyros to align the system to north. Checks of PDFCS direction may be accomplished using survey points and the M2 aiming circle, or a theodolite. Perform the test as follows.

- a. Ensure the howitzer is fully initialized and emplaced at the survey point on level ground. Ensure that a NAV POSN UPDATE has been done using the survey marker data.
- b. Unstow the tube. Install muzzle crosshairs.

O-11 PDFCS CONFIDENCE TESTS - CONTINUED

O-11.1 Verification of Position and Direction Using Survey Data - Continued

O-11.1.2 Verification of Direction Using an OS/EOL - Continued

- c. Set up and level the aiming circle over the OS.
- d. Place the azimuth of the Orienting Line (OL) on the aiming circle using the upper (recording) motion.
- e. Sight the aiming circle on the EOL using the lower (non-recording) motion.
- f. Sight the aiming circle toward the howitzer using the upper (recording) motion.
- g. Using the primer vent hole and muzzle crosshairs, align the cannon bore on the aiming circle lens.
- h. With the upper (recording) motion of the aiming circle, align the vertical crosshair on the center of the cannon bore. Aiming circle operator announces "NUMBER (SO AND SO) REFER, AIMING POINT THIS INSTRUMENT".
- i. Read the azimuth to the cannon bore. This corresponds to the back azimuth of the cannon bore.
- j. If the aiming circle azimuth to the tube is greater than 3200, subtract 3200 to obtain tube pointing azimuth. If the aiming circle azimuth to the tube is less than 3200, add 3200 to obtain tube pointing azimuth.
- k. Select DISPLAY FORMAT from the SETUP AND INFORMATION menu. Change display from DEFLECTION to AZIMUTH and press USE ALL key.
- l. Select FIRE COMMANDS from the SETUP AND INFORMATION menu. When FIRE COMMANDS menu is displayed, press USE ALL to display a FIRE MISSION screen.
- m. Read and record ACTL AZ and QUAD off the FIRE MISSION screen. PDFCS operator announces "NUMBER (SO AND SO), AZIMUTH (SO MUCH)".
- n. Aiming circle operator compares the readings from steps j and m. If the difference is with ± 2 mils, the aiming circle operator announces "SAFE".

NOTE

Quadrant should also be checked with a pretested gunner's quadrant. After adjusting for breech correction, reading should compare within ± 2 mils.

- o. PDFCS operator compares the readings from steps k and n. If the difference is within ± 2 mils, the direction test is complete. Skip the steps below. Press EOM key on the FIRE MISSION menu to return to the SETUP AND INFORMATION menu. Select DISPLAY FORMAT and change display back to DEFLECTION and press USE ALL key.
- p. If either the azimuth or quadrant difference exceeds ± 2 mils, stow tube. Select NAV UPDATE from SETUP AND INFORMATION menu. When NAV UPDATE menu is displayed, check data and correct if necessary. When data is correct, select FORCE NAV RESTART and press USE ALL key to align the nav subsystem.
- q. Recheck the aiming circle level and position over the stake.
- r. After the nav subsystem is fully aligned, unstow tube and repeat steps d through o.
- s. If results are still out of tolerance, notify unit maintenance.

O-11 PDFCS CONFIDENCE TESTS - CONTINUED

O-11.1 Verification of Position and Direction Using Survey Data - Continued

O-11.1.3 Verification of Direction Using an Azimuth to a DAP.

The PDFCS nav subsystem uses gyros to align the system to north. Checks of PDFCS direction may be accomplished using a survey point and a surveyed azimuth to a DAP at least 1500 meters away. A closer point may be used, but the test will not be as accurate. Perform the test as follows.

- a. Ensure the PDFCS is fully initialized and the nav subsystem is fully aligned. Ensure the howitzer is positioned with the left front sprocket within one meter of the survey point. Ensure the howitzer is pointed generally toward the DAP.
- b. Unstow the tube.
- c. Align the cannon bore on the DAP.
- d. Select DISPLAY FORMAT from the SETUP AND INFORMATION menu. Change display from DEFLECTION to AZIMUTH and press USE ALL key.
- e. Select FIRE COMMANDS from the SETUP AND INFORMATION menu. When FIRE COMMAND menu is displayed, press USE ALL to display a FIRE MISSION screen.
- f. Read and record ACTL AZ and QUAD off the FIRE MISSION screen.
- g. Compare the azimuth display on the PDFCS (ACTL AZ) with the surveyed azimuth to the DAP. Azimuth should compare within ± 2 mils.
- h. Compare the quadrant displayed on the PDFCS (ACTL QUAD) with the quadrant elevation off the M145A1 Mount. Quadrant elevation should compare within ± 2 mils.

NOTE

Quadrant should also be checked with a pretested gunner's quadrant. After adjusting for breech correction, reading should compare within ± 2 mils.

- i. If the results are within tolerance, the test is complete. Skip the steps below. Press EOM key on the FIRE MISSION menu to return to the SETUP AND INFORMATION menu. Select DISPLAY FORMAT and change display back to DEFLECTION and press USE ALL key.
- j. If the results are out of tolerance, stow tube. Select NAV UPDATE from SETUP AND INFORMATION menu. When NAV UPDATE menu is displayed, check data and correct if necessary. When data is correct, select FORCE NAV RESTART and press USE ALL key to align the nav subsystem.
- k. After the NAV subsystem is fully aligned, unstow tube and repeat steps c through i.
- l. If results are still out of tolerance, notify unit maintenance.

O-11 PDFCS CONFIDENCE TESTS - CONTINUED**O-11.1 Verification of Position and Direction Using Survey Data - Continued****O-11.1.4 Verification of Deflection and Quadrant.**

If surveyed azimuth data is not available, you can check the PDFCS and the PANTEL for a match in deflection and quadrant elevation. To perform this test, a DAP at least 1500 meters away is needed. Perform the test as follows.

NOTE

The howitzer may be positioned at a survey point if the position test is also being conducted. However, a survey point is not necessary to perform the deflection and quadrant test alone.

- a. Receive a move order from FDC to fire point. If FDC is not available, enter a manual move order to a FIRE POINT.
- b. With the EMPLACE FIRE POINT screen displayed, position howitzer with tube pointed generally toward center of sector (base azimuth).
- c. Press ARRIVED and unstow tube. Install muzzle crosshairs.
- d. Use default value for MAXIMUM TUBE ELEVATION and press USE ALL on the SITE DEFINITION screen. The SECTION IN ORDER AT FIRE POINT screen will be displayed.
- e. Using the power control handle, traverse the tube until ACTL DEFL displays 3200 deflection on the SECTION IN ORDER screen (this is the center of sector or base azimuth).

NOTE

If there is no FPF or priority fire mission on the screen, you may press the LOAD key to traverse the tube to 3200 deflection. Ensure that ACTL DEFL remains on 3200 deflection when you release the LOAD key. Adjust with power control handle, if necessary.

- f. Check boresight of PANTEL with M140/M140A1 alignment device.
- g. Select a DAP that is at least 1500 meters away.
- h. Using the Azimuth deflection knob, align the vertical hairline of the PANTEL on the DAP. Level the pitch and cross level bubbles and check alignment.
- i. Rotate counter rest knob on PANTEL until 3200 appears on reset counter.
- j. Using the primer vent hole and muzzle crosshairs, align the tube on the DAP.
- k. Level pitch and cross level bubbles on PANTEL mount. Using the azimuth deflection knob, align vertical hairline of PANTEL on the DAP. Record PANTEL deflection reading.
- l. Center elevation level vial on M145A1 mount. Record M145A1 quadrant reading.
- m. Read and record the ACTL deflection (DEFL) and quadrant (QUAD) obtained on the PDFCS SECTION IN ORDER screen.
- n. Compare deflections and quadrants obtained in steps k, l, and m. The tolerance between readings is ± 2 mils for both deflection and quadrant.
- o. If PDFCS and PANTEL agree within the tolerance, the test is complete. Skip the next step.
- p. If PDFCS and PANTEL do not agree with the tolerance, notify unit maintenance.

O-11 PDFCS CONFIDENCE TESTS - CONTINUED

O-11.2 Testing the Accuracy of the PDFCS Elevation.

NOTE

Before performing this test, ensure that the cannon assembly is properly equilibrated (para 3-8.2) to prevent tube elevation drift.

The PDFCS elevation accuracy should be tested whenever the trunnions have been leveled for optical fire control alignment test and measurements. It is suggested that a survey point be put in at the location of these tests for the purpose of proper initialization of the PDFCS.

This test is used to verify the PDFCS quadrant elevation and gunner's quadrant agree at all elevations. Perform the test as follows.

- a. Initialize the PDFCS with the tube stowed in the travel lock.
- b. When the Nav Subsystem is fully aligned, unstow tube, and recheck trunnion level using a plumbline.
- c. Level the tube using a pretested gunner's quadrant on the machined surface just rear of the muzzle brake. Set the gunner's quadrant on the top (widest) surface with the feet aligned with the machined shoulder.
- d. With the tube held at the level position, place the gunner's quadrant on the breech elevation seats. Measure and record breech correction.
- e. Select FIRE COMMANDS from the SETUP AND INFORMATION menu. When FIRE COMMANDS menu is displayed, press USE ALL to display a FIRE MISSION screen.
- f. Read and record ACTL QUAD on the FIRE MISSION screen. QUAD should be zero mils \pm 0.5 mils.
- g. If ACTL QUAD is not within tolerance, notify unit maintenance.
- h. Set the scale of the gunner's quadrant to 100 mils plus the sum of the gunner's quadrant correction and the breech correction.
- i. Place the gunner's quadrant on the breech seats. Elevate the tube (power or manual) until the bubble is centered.
- j. Read and record the ACTL QUAD on the FIRE MISSION screen. If the difference between the ACTL QUAD and the tube elevation exceeds \pm 0.5 mils, verify all settings. Record the difference.
- k. Repeat steps h. through j., adding 100 mils elevation each time, until maximum elevation is reached. Then decrease elevation in 100 mil increments and repeat measurements.
- l. Compare all differences to the tolerance of \pm 0.5 mils. If the reading at any elevation exceeds the tolerance, notify unit maintenance.

ALPHABETICAL INDEX

NOTE

Maintenance information for M109A6 is included in this Index. For software versions 7 and 7P and 2 and 2P, see Table of Contents for applicable Index pages.

A

- Abbreviations, AFCS and PDIU, 3-35
- Abbreviations, List of, 1-4
- Abbreviations, PDFCS and PDI, 3-38.30
- Accessing Warning Messages, G.1-1
- Accessory Control Box, 2-12
- Accessory Control Box Indicator LED Removal, 3-81
- Additional Authorization List, C-1
 - Additional Authorized Items List, C-2
 - Explanation of Listing, C-1
 - General, C-1
 - Scope, C-1
- AFCS and PDIU Abbreviations, 3-35
- AFCS and PDIU Fault Detection, 3-3
 - AFCS and PDIU Abbreviations, 3-35
 - Audio Alert Test, 3-29
 - BIT Status, 3-6
 - Boresight Angle Entry, 3-32
 - Display Test, 3-30
 - Equivalent Full Charge (EFC), 3-32
 - PDIU System Test, 3-9
 - Power Up Built-In-Test (BIT), 3-3
 - Software Version/Configuration Display, 3-38
 - Vehicle Motion Sensor Test, 3-27
 - Weapon Control Test, 3-24.1
- AFCS Components, LED Removal, 3-132
- AFCS Fire Mission, 2-223
 - AFCS HIPSHOOT, 2-234
 - Ammunition Accountability, 2-230
 - Direct Fire Procedures Using AFCS, 2-236
 - End of Mission, 2-233
 - Firing Mission, 2-228
 - Platoon Operation Center, 2-226
 - System Menus, 2-242
 - AFCS Status, 2-246
 - Display Format, 2-248
 - Display Intensity, 2-249
 - Fire Commands, 2-243
 - GPS Control, 2-250.1
 - Last Move Orders, 2-246
 - Manual Move Order, 2-250
 - Messages, 2-244
 - Muzzle Velocity Variance (MVV), 2-257
 - Operational/Maintenance Transition, 2-258
 - Send Checkfire, 2-245
 - Stored Targets, 2-245
 - System Update, 2-247
 - Tube Temperature, 2-247
- AFCS HIPSHOOT, 2-234
- AFCS Initialization, 2-152.1
 - Initialization After a Catastrophic Failure, 2-207
 - Initializing, 2-157
 - Initializing After an Orderly Shutdown, 2-189
 - System Power-Up, 2-152.1
- AFCS Operating Controls and Indicators, 2-138
- AFCS Operating Modes, 2-138
- AFCS Section in Order, 2-222
- AFCS Status, 2-246
- AFCS System Power-Up, 2-152.1
- AFCS Travel Mode, 2-208.1
 - Emplacement Fire Point/Fire Area, 2-213
 - Movement, 2-208.1
- AFCS, PDIU, and Cab Navigation System, 1-18.1, 1-38
- AFCS/BCS Spheroid and Datum Table, J-1
- AFCS/PDFCS Confidence Tests, 3-157
 - Testing the Accuracy of the AFCS/PDFCS Elevation, 3-162
 - Verification of Position and Direction Using Survey Data, 3-157
- AFCS/PDFCS, Testing the Accuracy of the, 3-162
- AFCS/PDFCS/BCS Spheroid and Datum Table Spheroid #1 - Australian National Spheroid, J-1
- After Firing, 5-61
- Air Cleaner, Maintenance of, 3-84
 - Ammunition, 1-1, 5-1

ALPHABETICAL INDEX - CONTINUED

Authorized Projectiles, 5-5
 General, 5-1
 Identification, 5-1
 Injury/Damage, 1-1
 Safety, Care, and Handling, 1-1

Ammunition Accountability
 AFCS, 2-230
 PDFCS, 2-258.113

Ammunition Components, Packing and Unpacking, 5-36

Ammunition or Components of Ammunition Prepared for Firing, but not Rammed, 5-67

Ammunition Prepared For Firing But Not Fired, 5-62

Armament and Cab Maintenance, 3-86
 Adjustment of Elevation System, 3-90
 AFCS Components, LED Removal, 3-132
 Bore Evacuator Assembly, Removing/Installing, 3-99
 Breech Mechanism Assembly, 3-115
 Breech Mechanism Disassembly, 3-102
 Estimating Remaining Round Life of Howitzer Tubes, 3-94
 Filling Hydraulic Reservoir, 3-126
 Hydraulic Control Box LED Removal, 3-129
 M3 Heater Pilot Light Lamp Removal, 3-130
 Microclimate Conditioning System (MCS) NBC Filter Replacement, 3-133
 Muzzle Brake, Removing/Installing, 3-97
 Rammer Operational Checks, 3-92
 Servicing Replenisher, 3-96
 Sighting and Fire Control Equipment Maintenance, 3-86
 Slip Ring Segment Board Assembly Cleaning, 3-134
 Vehicle Motion Sensor (VMS) Modem LED Removal (Hull/Cab), 3-131
 Zeroing Pressure, 3-94

Assembly and Preparation For Use, 2-76

Audio Alert Test
 AFCS, 3-29,
 PDFCS, 3-38.25

Authorized Fuzes, 5-25
 Fuze, Electronic Time (ET), M762 and M767, 5-29
 Fuze, Mechanical Time Superquick, M564, 5-26.1
 Fuze, Mechanical Time, M565, 5-27

Fuze, Point-Detonating: M557, M572 or M739 Series, 5-25
 Fuze, Proximity, Variable Time, M728, 5-27
 Fuze, Proximity, Variable Time, M732 Series, 5-28
 Fuzes, Mechanical Time Superquick, M577 and M582, 5-28

Authorized Fuzes, Foreign (NATO), 6-12.1

Authorized Projectiles
 Projectile, 155MM, DPICM, M864, 5-15
 Projectile, 155MM, HE, M692, 5-17
 Projectile, 155MM, HE, Rocket Assist M549/M549A1, 5-12
 Projectile, 155MM, ICM, M449 Series, 5-13
 Projectile, 155MM, ICM, M483A1, 5-14
 Projectile, 155MM, Illuminating, M485A1 and M485A2, 5-11
 Projectile, 155MM, Smoke, HC, M116A1, 5-11
 Projectile, 155MM, Smoke, WP, M825/M825A1, 5-10
 Projectile, 155MM, Agent, H or HD, M110, 5-6, 5-7
 Projectile, 155MM, AT, Remote Anti-Armor Mine System, M718/M718A1, 5-18
 Projectile, 155MM, AT, Remote Anti-Armor Mine System, M741, 5-18
 Projectile, 155MM, Gas, VX (Persistent) Or GB (Non-Persistent) M121A1, 5-9
 Projectile, 155MM, HE, M107, 5-6
 Projectile, 155MM, HE, M731, 5-17
 Projectile, 155MM, Heat, M712, 5-19
 Projectile, 155MM, Practice, M804/M804A1, 5-20
 Projectile, 155MM, Training, M823, 5-19
 Projectile, Smoke, WP, M110, and M110E1, 5-8
 Projectile/Fuze Combinations for Howitzer M109A6 with M284 Cannon, 5-21
 Projectile/Propelling Charge Combinations for Howitzer M109A6 with M284 Cannon, 5-23
 Projectiles, 5-5

Authorized Projectiles, Foreign (NATO), 6-2

Auxiliary Quadrant on M145A1 Mount Using the Gunner's Quadrant Testing, 3-152

B

Backing the Howitzer, 2-103
 Basic Issue Items List, B-6
 Batteries, Servicing, 3-68
 Bilge Pump, Operating the, 2-108

ALPHABETICAL INDEX - CONTINUED

BIT Status
 AFCS, 3-6
 PDFCS, 3-38.2

Bore Evacuator Assembly, Removing/Installing, 3-99

Boresight Angle Entry
 AFCS, 3-32
 PDFCS, 3-38.28

Boresighting - Distant Aiming Point Method, 2-277

Boresighting the Weapon, 3-143

Boresighting-Preliminary Procedure, 2-269

Boresighting-Test Target Method, 2-270

Break Periods During Training or Firing, 1-43

Breech Mechanism, Assembly of, 3-115

Breech Mechanism, Disassembly of, 3-102

Bustle Uploading and Stowage, E-10

C

Cab Components, 1-18

Cab Decals and Instruction Plates, 2-132

Cannon and Mount Components, 1-22

Cannon-Launched Guided M712 Projectile, Heat (Copperhead) and M823 Projectile (Training), 5-72

Cannon-Launched Guided M712 Projectile, Heat (Copperhead) and M823 Projectile Training, 5-75

Description, 5-72

Unpackaging and Inspection, 5-73

Capabilities and Features, 1-11

Care of Ammunition, 5-64

Characteristics, 1-11

Checking Boresight of M117A2 Using M140 Alignment Device, 2-273

Checking M140 Alignment Device While Boresighting on Test Target, 2-272

Cleaning, K.1-7

Cold Tube Misfire/Checkfire Procedures, 2-305

Cold Weather Starting (Below +40 Degrees F), 2-336

Commander's Cupola, Operating, 2-118

Communications Equipment, Purpose of, 2-317

Comparison Test of M140 Alignment Device, 2-276

Components of End Item (COEI) and Basic Issue Items (BI) Lists, B-1

Explanation of Columns, B-1

General, B-1

Scope, B-1

Components of the End Item List, B-2

Control Box Assembly (Travel Lock) LED Removal, 3-78

Coolant Heater, Operating, 2-335

Cooling System, 1-30

Corrosion Prevention and Control (CPC), 1-1, H-1

General, H-1

Scope, H-1

Tools and Materials, H-2

Treatment Procedures, H-2

Types of Corrosion Problems, H-1

COS Controls and Indicators, 2-7

Display Unit, 2-8

Hydraulic Control Box, 2-9

PDFCS Display Unit (PDU) and PDFCS Keypad, 2-8.1

COS Seat and Footrest, Operating, 2-115

Crew Compartment Warning Light Lamp Removal, 3-79

Crew Seats, Operating, 2-117

D

DC Power Messages
 AFCS, 2-151
 PDFCS, 2-258.18

Decals and Instruction Plates, 2-131

Cab Decals and Instruction Plates, 2-132

Hull Decals and Instruction Plates, 2-131

Deflections, Testing and Reliability, 3-146

Description and Use of Operator's Controls and Indicators, 2-1

Destruction of Army Materiel to Prevent Enemy Use, 1-2

Diagnostic Mode Reconfiguration Advice Messages, G.1-6

Differences Between Models, 1-25

ALPHABETICAL INDEX - CONTINUED

Digital Processor Section, K.1-6
Direct Fire Procedures, 2-293
Direct Fire Procedures Using PDFCS, 2-258.118
Display Format
 AFCS, 2-248
 PDFCS, 2-258.131
Display Intensity
 PDFCS, 2-249,
 AFCS2-258.132
Display Test
 AFCS, 3-30
 PDFCS, 3-38.26
Display Unit, 2-8
Dome Lights, 2-92
Doppler Antenna Section, K.1-5
Driver's Controls and Indicators, 2-1
 Driver's Controls and Equipment, 2-1
 Driver's Instrument Panels, 2-4
 Travel Lock Control Box, 2-6
 Winterization Heater Control Box, 2-6
Driver's Instrument Panels, 2-4
Driving, 2-98
Driving Operation in Extreme Cold Weather, 2-339
Driving Over Rough, Soft or Hilly Terrain, 2-100
Duds, 2-308

E

Electrical System, 1-32
Elevating, Traversing and, 2-127
Elevation System, Adjustment, 3-90
Embedded Trainer
 Entering Training Mode, F-3
 General, F-1
 Initialize Training Option, F-19
 Level of Operation, F-4
 Levels of Training, F-1
■ Emergency Shutdown, 2-312.4
Emplacement Fire Pont/Fire Area
 AFCS, 2-213

PDFCS, 2-258.95
Emplacing Infinity Aiming Reference Collimator
 M1A1, 2-265
Emplacing the Howitzer, 2-259
End of Mission
 AFCS, 2-233
 PDFCS, 2-258.115
Engine Air Cleaner System, Operating, 2-114
Engine Cooling System, 3-62.1
Equipment Characteristics, Capabilities, and
 Features, 1-11
Equipment Data, 1-25
Equipment Description, 1-11
Equipment Performance, K.1-4
Equivalent Full Charge (EFC)
 AFCS, 3-32
 PDFCS, 3-38.28
Estimating Remaining Round Life of Howitzer Tube,
 3-94
Excess Explosive Components, 5-68
Expendable/Durable Supplies and Materials List, D-1
 Expendable/Durable Supplies and Materials List,
 D-2
 Explanation of Columns, D-1
 Scope, D-1
Exterior Components, 1-12
External Decontamination, 2-342
External Inspection, K.1-7
Extractor Assembly Operation, 5-79

F

Field Manuals, A-1
Fire Commands
 AFCS, 2-243
 PDFCS, 2-258.124
Fire Control Alignment Tests and Measurements,
 3-137
 Equipment Required for Fire Control Alignment
 Tests, 3-137
 Preparation for Fire Control Alignment Tests, 3-137
Fire Extinguishing System (FES), Operating, 2-324

ALPHABETICAL INDEX - CONTINUED

Firing 155MM Cannon, 2-298

Firing Mission
 AFCS, 2-228,
 PDFCS, 2-258.111

Flash Reducer, M2 (T2), 5-34.1

Fording, 2-341

Foreign Ammunition (NATO), 6-1
 General, 6-1

Forms, A-1

Fuel System, 1-28

Fuel System, Servicing, 3-64

Fuze Assembly, 5-43

Fuze Preparation, 5-40
 Fuze Assembly, 5-43
 General, 5-40
 Lifting Plug Removal, 5-40
 Special Preparation for the M577 Series Fuze, 5-44
 Supplementary Charge, 5-41

Fuze Setting, 5-45
 Procedure Number 1, Fuzes, M557, M572, or M739 Series, 5-45
 Procedure Number 2, Fuzes, M728, M514, and M732 Proximity VT Fuzes, 5-46
 Procedure Number 3, Fuzes, M564 and M565, 5-48
 Procedure Number 4, Fuzes, M577 and M582 Series, 5-52
 Procedure Number 5, Fuzes M762 and M767, 5-54

Fuze, Artillery, Multi-Option (MOFA): M782, 5-30.1

Fuze, Electronic Time (ET), M762 and M767, 5-29

Fuze, Mechanical Time Superquick, M564, 5-26.1

Fuze, Mechanical Time, M565, 5-27

Fuze, Point-Detonating: M557, M572 or M739 Series, 5-25

Fuze, Proximity, Variable Time, M728, 5-27

Fuze, Proximity, Variable Time, M732 Series, 5-28

Fuzes, 6-12.1
 Authorized Fuzes, 6-12.1

Fuzes, Foreign (NATO), 6-12.1

Fuzes, Maintenance, 5-67

Fuzes, Mechanical Time Superquick, M577 Series and M582 Series, 5-28

G

General Information, 1-1

Glossary, 1-8

Glow Plug System, 1-36

GPS Control
 AFCS, 2-250.1
 PDFCS, 2-258.134

Gun Tube, Releasing, 2-119

Gun Tube, Stowing, 2-123

Gunner's Controls and Equipment, 2-10

Gunner's Controls and Indicators, 2-10
 Accessory Control Box, 2-12
 Gunner's Controls and Equipment, 2-10
 MCS Control Panel, 2-11

Gunner's Quadrant End-for-End Test, 3-139

Gunner's Quadrant Micrometer Test, 3-138

H

Handling, Ammunition, 5-64

Heater Operation Faults (Global A20), 2-312.3

Hot Tube Misfire/Checkfire Procedures, 2-308

How to use this manual, iii

Howitzer Cannon in Extreme Cold Weather, Operating, 2-340

Howitzer Decontamination, Complete, 2-343

Hull Components, 1-17

Hull Decals and Instruction Plates, 2-131

Hull Doors, Cab Doors, Grilles, and Baskets, Operating, 2-108

ALPHABETICAL INDEX - CONTINUED

Hull Maintenance Procedures, 3-62.1
 Accessory Control Box Indicator LED Removal, 3-81
 Air Cleaner Maintenance, 3-84
 Control Box Assembly (Travel Lock) LED Removal, 3-78
 Crew Compartment Warning Light Lamp Removal, 3-79
 Engine Cooling System, 3-62.1
 M3 Heater Pilot Light Lamp Removal, 3-80
 Maintenance of Track, 3-70
 Master Warning Light Assembly Lamp Removal, 3-82
 Portable/Driver's Instrument Panel Lamp and LED Removal, 3-77
 Refueling, 3-67
 Servicing Batteries, 3-68
 Servicing Fuel System, 3-64
 Winterization Heater Control Box Lamp Removal (If Equipped), 3-83

Hydraulic Control Box, 2-9
 Hydraulic Control Box LED Removal, 3-129
 Hydraulic Reservoir, Filling, 3-126
 Hydraulic System Components, 1-24
 Hydraulic System in Extreme Cold Weather, Operating, 2-339

I

Initial Adjustment and Daily Checks, 2-76
 Initialization After a Catastrophic Failure
 AFCS, 2-207
 PDFCS, 2-258.88
 Initialization After an Orderly Shutdown
 AFCS, 2-189
 PDFCS, 2-258.70
 Initializing
 AFCS, 2-157
 PDFCS, 2-258.25
 Injury/Damage, 1-1
 Instrument Panel, 2-5
 Internal Decontamination, 2-343
 Introduction, 1-1

K

Key and Switch Test
 AFCS, 3-31
 PDFCS, 3-38.27

L

Last Move Orders
 AFCS, 2-246
 PDFCS, 2-258.129
 Laying for Deflection and Quadrant During Indirect Fire Missions - Laying for Elevation Using M1A1 Gunner's Quadrant, 2-292
 Laying for Deflection and Quadrant During Indirect Fire Missions - Using Collimator M1A1, 2-289
 Laying Howitzer Using M2 Aiming Circle, 2-262
 Lead Filter and Ventilation System Operating, 2-313
 Lead Particulate Filter and Ventilation System Components, 1-21
 Leveling the Trunnions Using the Plumline, 3-140
 Leveling the Tube Using the Gunner's Quadrant, 3-143
 Lifting Plug Removal, 5-40
 Light Switch Assembly, 2-93
 List of Abbreviations, 1-4
 Loader Rammer Components, 1-23
 Loading 155MM Cannon, 2-280
 Loading 155MM Cannon-Hand Ramming, 2-288
 Loading and Firing, 5-58
 Location and Description of Major Components, 1-12
 AFCS, PDIU, and Cab Navigation System, 1-18.1
 Cab Components, 1-18
 Cannon and Mount Components, 1-22
 Exterior Components, 1-12
 Hull Components, 1-17
 Hydraulic System Components, 1-24
 Lead Particulate Filter and Ventilation System Components, 1-21
 Loader Rammer Components, 1-23
 NBC System Components, 1-20
 PDFCS, and Cab Navigation System, 1-18.2
 Lubrication Instructions, 3-1, I-1
 Annually, I-29

ALPHABETICAL INDEX - CONTINUED

Daily, I-5
 General, I-1
 Monthly, I-19
 Oil Can Points, I-31
 Quarterly, I-22
 Quarterly Lubrication Points, I-37
 Scope, I-1
 Semi-Annually, I-25
 Weekly, I-16
 Lubrication of Armament, 2-332

M

M140 Alignment Device, 2-133
 M145A1 Mount Using the Gunner's Quadrant on the Breech Quadrant Seats Testing, 3-155
 M145A1 Mount, Scribing, 3-150
 M27 Periscope, Removing/Installing, 4-2
 M3 Heater Pilot Light Lamp Removal, 3-80, 3-130
 M45 Periscope, Removing/Installing, 4-2
 M577 Series Fuze, Special Preparation for the, 5-44
 M712 Ammunition Prepared for Firing, but not Fired, 5-84
 M712 Projectile Maintenance, 5-86
 M93 Chronograph Muzzle Velocity Sensor (MVS), 2-315
 M93 Chronograph Muzzle Velocity System (MCS), Muzzle Velocity Measurement and Calculation, K-5
 M93 Chronograph Muzzle Velocity System (MVS), K-1
 M93 Chronograph Muzzle Velocity System (MVS) ADSP-2100 Digital Signal Processor (DSP), K-6
 Cleaning, K-8
 Doppler Amplifier, K-5
 Equipment Performance, K-4
 External Inspection, K-8
 M93 Chronograph (MVS) Abbreviations, K-9
 Muzzle Velocity Processor (MVP), K-6
 Packing and Shipping M93 Units and Parts, K-8
 Physical Characteristics, K-5
 Platoon Leadership Actions, K-1
 POC Responsibilities, K-1
 Power Requirements, K-5
 RF Section, K-5
 Scope,
 M93 MVS, K-1
 PMVS, K.1-1
 M93 MVS (AFCS), 3-61
 Machine Gun, Cal .50, 2-328
 Maintenance Forms and Procedures, 1-1
 Maintenance Forms and Records, 2-13
 Maintenance Instructions, 3-1
 Maintenance of Ammunition, 5-65
 Ammunition or Components of Ammunition Prepared for Firing, but not Rammed, 5-67
 Care, 5-64
 Excess Explosive Components, 5-68
 Fuzes, 5-67
 General, 5-65
 Handling, 5-64
 Projectiles, 5-65
 Propelling Charges M119A1, M119A2, M203, and M203A1, 5-67
 Propelling Charges M3A1 and M4A2, 5-66
 Unserviceable Ammunition, 5-68
 Maintenance of Auxiliary Equipment, 4-1
 General, 4-1
 Maintenance Procedures, 3-62.1
 Manual Move Order
 AFCS, 2-250
 PDFCS, 2-258.133
 March Order - Preparation for Travel, 2-309
 Master Warning Light Assembly Lamp Removal, 3-82
 MCS Control Panel, 2-11
 Measuring Site to Crest, 2-268
 Messages
 AFCS, 2-244
 PDFCS, 2-258.125
 Microclimate Conditioning System (MCS) NBC Filter Replacement, 3-133
 Miscellaneous Publications, A-2
 Misfire and Checkfire Procedures, 5-79
 Misfire/CheckFiring Procedures
 Cold Tube Misfire/Checkfire Procedures, 2-305

ALPHABETICAL INDEX - CONTINUED

Hot Tube Misfire/Checkfire Procedures, 2-308
 Warm Tube Misfire/Checkfire Procedures, 2-306
 Misfire/Checkfiring Procedures, 2-303
 Definitions, 2-303
 Mounted Water Ration Heater (MWRH),
 Removing/Installing, 4-6
 Movement, AFCS Travel Mode, 2-208.1
 Movement, PDFCS Travel Mode, 2-258.90
 Muzzle Brake, Removing/Installing, 3-97
 Muzzle Velocity Measurement and Calculation, K.1-5
 Muzzle Velocity Variance (MVV)
 AFCS, 2-257
 PDFCS, 2-258.142

N

NBC Equipment, Operating, 2-326
 NBC System Components, 1-20
 Night Viewer AN/VVS-2(V)4, Removing/Installing,
 4-3
 Installing Night Viewer, 4-5
 Removing Night Viewer, 4-3
 Night Viewer, Installing, 4-5
 Night Viewer, Removing, 4-3
 Nomenclature Cross-Reference List, 1-3
 Nuclear, Biological and Chemical (NBC)
 Decontamination Instructions, Internal
 Decontamination, 2-343
 Nuclear, Biological, and Chemical (NBC)
 Decontamination Instructions, 2-342
 Complete Howitzer Decontamination, 2-343
 External Decontamination, 2-342
 General, 2-342

O

Operating Auxiliary Equipment, 2-311
 Cal .50 Machine Gun, 2-328
 Fire Extinguishing System (FES), 2-324
 Lead Filter and Ventilation System, 2-313
 M93 Chronograph Muzzle Velocity Sensor (MVS),
 2-315

NBC Equipment, 2-326
 Operation of Radio and Intercommunication
 Equipment, 2-316.9
 Paladin Muzzle Velocity System (PMVS), 2-316.4
 Personnel Heater, 2-311, 2-312.1
 Portable Fire Extinguishers, 2-325
 Precision Lightweight GPS (Global Positioning
 System) Receiver (PLGR), 2-329
 Operating Howitzer Cannon in Extreme Cold
 Weather, 2-340
 Operating Instructions, 2-1
 Operating Paladin Muzzle Velocity System (PMVS),
 2-316.4
 Operating Procedures, 2-76
 Backing the Howitzer, 2-103
 Bilge Pump, 2-108
 Commander's Cupola, 2-118
 COS Seat and Footrest, 2-115
 Crew Seats, 2-117
 Dome Lights, 2-92
 Driving, 2-98
 Driving Over Rough, Soft or Hilly Terrain, 2-100
 Engine Air Cleaner System, 2-114
 Hull Doors, Cab Doors, Grilles, and Baskets, 2-108
 Light Switch Assembly, 2-93
 Portable Instrument Panel Checkout Procedures,
 2-91
 Pre-Starting Instructions, 2-77
 Releasing Gun Tube, 2-119
 Starting Disabled Vehicle, 2-87
 Starting Engine, 2-82
 Stopping the Vehicle, 2-101
 Stowing Gun Tube, 2-123
 Towing Operations, 2-103
 Transmission Shift Selection, 2-94
 Traversing and Elevating, 2-127
 Operation, K.1-6
 Operation in Extreme Cold, 2-334
 Cold Weather Starting (Below 40 Degrees F),
 2-336
 Coolant Heater, 2-335
 Driving Operations in Extreme Cold Weather, 2-339
 Howitzer Cannon, 2-340
 Hydraulic System, 2-339
 Winterization Kit, 2-334

ALPHABETICAL INDEX - CONTINUED

- Operation in Extreme Heat, Humidity, or Salty Conditions, 2-333
 - Operation Mode Reconfiguration Advice Messages, G.1-3
 - Operation of Automatic Fire Control System (AFCS), 2-138
 - AFCS Operating Controls and Indicators, 2-138
 - AFCS Operating Modes, 2-138
 - DC Power Messages (AFCS), 2-151
 - Operation of Extractor Assembly, 5-79
 - Breakdown for Stowage, 5-83
 - General, 5-79
 - Setup For Use, 5-80
 - Setup For Use Under Conditions of Poor Visibility, 5-82
 - Operation of Optical Fire Control Instruments, 2-133
 - Alignment of Telescope M117A2, 2-137
 - Installing Telescope M117A2, 2-134
 - M140 Alignment Device, 2-133
 - Operating Telescope M117A2 and Mount M145A1, 2-135
 - Operation of Paladin Digital Fire Control System (PDFCS)
 - PDFCS Operating Controls and Indicators, 2-258.3
 - PDFCS Operating Modes, 2-258.1
 - DC Power Messages (PDFCS) , 2-258.18
 - Operation of Radio and Intercommunication Equipment, 2-316.9
 - Operation Under Unusual Conditions, 2-332
 - General, 2-332
 - Lubrication of Armament, 2-332
 - Sighting and Fire Control Instruments, 2-333
 - Vehicle, 2-332
 - Operation Under Usual Conditions, 2-76
 - Operational/Maintenance Transition
 - AFCS, 2-258
 - PDFCS, 2-258.143
- P
- Packing and Shipping PMVS Units and Parts, K.1-6
 - Packing and Unpacking Ammunition Components, 5-36
 - Paladin Muzzle Velocity System (PMVS)
 - Platoon Leadership Actions, K.1-1
 - POC Responsibilities, K.1-1
 - Initial Calibration (No previous MVVs recorded, K.1-1
 - Previous MVVs Already Recorded and Desired Lot to Measure has no MVV, K.1-2
 - Previous MVVs Already Recorded and Desired Lot to Measure has Previous MVV, K.1-2
 - Scope, K.1-1
 - Paladin Muzzle Velocity System (PMVS), 2-316.4, K.1-1
 - Paladin Muzzle Velocity System (PMVS)
 - Cleaning, K.1-7
 - Doppler Amplifier, K.1-6
 - Equipment Performance, K.1-4
 - External Inspection, K.1-7
 - Muzzle Velocity Measurement and Calculation, K.1-5
 - Muzzle Velocity Processor (MVP), K.1-6
 - Packing and Shipping PMVS Units and Parts, K.1-6
 - Physical Characteristics, K.1-5
 - Power Requirements, K.1-5
 - RF Section, K.1-5
 - PCU-2 Environment Display, 3-39
 - PDFCS and Cab Navigation System, 1-18.2, 1-38.2
 - PDFCS and PDCU Abbreviations, 3-38.30
 - PDFCS and PDI Fault Detection
 - Audio Alert Test, 3-38.25
 - BIT Status, 3-38.2
 - Boresight Angle Entry, 3-38.28
 - Display Test, 3-38.26
 - Equivalent Full Charge (EFC), 3-38.28
 - Key and Switch Test, 3-38.27
 - PCU-2 Environment Display, 3-39
 - PDFCS and PDCU Abbreviations, 3-38.30
 - PDFCS Status, 3-38.5
 - PDI System Test, 3-38.9
 - Power Up Built-In-Test (BIT), 3-38.2
 - Software Version/Configuration Display, 3-38.34
 - Vehicle Motion Sensor Test, 3-38.23
 - PDFCS Display Unit (PDU) and PDFCS Keypad, 2-8.1
 - PDFCS Emergency Mission, 2-258.116

ALPHABETICAL INDEX - CONTINUED

- PDFCS Fire Mission, 2-258.106
 - Ammunition Accountability, 2-258.113
 - Direct Fire Procedures Using PDFCS, 2-258.118
 - End of Mission, 2-258.115
 - Firing Mission, 2-258.111
 - PDFCS HIPSHOOT, 2-258.116
 - Platoon Operation Center, 2-258.109
 - System Menus, 2-258.123
 - Display Format, 2-258.131
 - Display Intensity, 2-258.132
 - Fire Commands, 2-258.124
 - GPS Control, 2-258.134
 - Last Move Orders, 2-258.129
 - Manual Move Order, 2-258.133
 - Messages, 2-258.125
 - Muzzle Velocity Variance (MVV), 2-258.142
 - Operational/Maintenance Transition, 2-258.143
 - PDFCS Status, 2-258.129
 - Send Checkfire, 2-258.128
 - Stored Targets, 2-258.128
 - System Update, 2-258.130
 - Tube Temperature, 2-258.130
- PDFCS HIPSHOOT, 2-258.116
- PDFCS Initialization, 2-258.20
 - Initializing, 2-258.25
 - Initializing After an Orderly Shutdown, 2-258.70
 - Initialization After a Catastrophic Failure, 2-258.88
 - System Power-Up, 2-258.20
- PDFCS Operating Modes, 2-258.1
- PDFCS Section in Order, 2-258.105
- PDFCS Status, 2-258.129, 3-38.5
- PDFCS System Power-Up, 2-258.20
- PDFCS Travel Mode, 2-258.90
 - Emplacement Fire Point/Fire Area, 2-258.95
 - Movement, 2-258.90
- PDFCS, and Cab Navigation System, 1-18.2
- PDI System Test, 3-38.9
- PDI Warning Messages and Reconfiguration Advisor, G.1-1
 - Accessing Warning Messages, G.1-1
 - General, G.1-1
 - Scope, G.1-1
 - Warning/Advisor Messages, G.1-3
- PDIU System Test, 3-9
- PDIU Warning Messages and Reconfiguration Advisor, G-1
 - Accessing Warning Messages, G-1
 - General, G-1
 - Scope, G-1
 - Warning/Advisor Messages, G-3
- Personnel Fan (Exhaust), 2-313
- Personnel Heater, Operating, 2-311, 2-312.1
- Physical Characteristics, K.1-5
- Platoon Operation Center
 - AFCS, 2-226
 - PDFCS, 2-258.109
- PMVS (PDFCS), 3-62
- Portable Fire Extinguishers, Operating, 2-325
- Portable Instrument Panel, 2-4
- Portable Instrument Panel Checkout Procedures, 2-91
- Portable/Driver's Instrument Panel Lamp and LED Removal, 3-77
- Power Requirements, K.1-5
- Power Up Built-In-Test (BIT)
 - AFCS, 3-3
 - PDFCS, 3-38.2
- Powerpack, 1-27
- Pre-Fire Checks, 2-278
- Pre-Starting Instructions, 2-77
- Precision Lightweight GPS (Global Positioning System) Receiver (PLGR), 2-329
- Preliminary Commands and Formations, 1-40
 - To Change Posts, 1-42
 - To Dismount, 1-42
 - To Form the Section, 1-40
 - To Mount, 1-42
 - To Post the Section, 1-41
 - To Prepare for Action, 1-42
- Preparation for Firing, 2-259, 5-35, 5-36.3
 - Boresighting - Distant Aiming Point Method, 2-277
 - Boresighting-Preliminary Procedure, 2-269
 - Boresighting-Test Target Method, 2-270
 - Checking Boresight of M117A2 Using M140 Alignment Device, 2-273

ALPHABETICAL INDEX - CONTINUED

- Checking M140 Alignment Device While Boresighting on Test Target, 2-272
- Comparison Test of M140 Alignment Device, 2-276
- Direct Fire Procedures, 2-293
- Emplacing Infinity Aiming Reference Collimator M1A1, 2-265
- Emplacing the Howitzer, 2-259
- General, 5-35
- Laying for Deflection and Quadrant During Indirect Fire Missions - Laying for Elevation Using M1A1 Gunner's Quadrant, 2-292
- Laying for Deflection and Quadrant During Indirect Fire Missions - Using Collimator M1A1, 2-289
- Laying Howitzer Using M2 Aiming Circle, 2-262
- Loading 155MM Cannon, 2-280
- Loading 155MM Cannon - Hand Ramming, 2-288
- Measuring Site to Crest, 2-268
- Packing and Unpacking Ammunition Components, 5-36
- Pre-Fire Checks, 2-278
- Primer, M82, 5-36.3
- Field Artillery Projectile Pallet (FAPP), 5-36.1, 5-36.2
- Flexible Rotating Band Cover (FRBC), 5-36.3
- Procedures, 5-36.1
- Projectile, 5-37
- Propelling Charges, 5-36.3
- Special Preparation of the M483A1 or M864 Projectile for Use in the Self-Registration Mode, 5-39, 5-40
- Temperature Limits, 5-35
- Preparation for Firing, M17 or M823 Projectiles, 5-77
- Preparation for Travel (March Order), 2-309
- Preventive Maintenance Checks and Services, 2-13
 - Classification of Fluid Leaks, 2-15
 - Criteria for 24-hour Continuous Operation, 2-15
 - Explanation of Table Entries, 2-13
 - General, 2-13
 - Guidelines to Keep in Mind While Performing PMCS, 2-14
 - Other Table Entries, 2-14
 - Warnings and Cautions, 2-13
- Preventive Maintenance Checks and Services Table, 2-16, 2-21
- Primer, M82, 5-34.1, 5-36.3
- Principles of Operation, 1-27
- Modular Artillery Charge System (MACS), 5-37
- Projectile, 5-37
- Projectile Coding and Markings, 5-3
- Projectile, 155MM, Illuminating, M485A1 and M485A2, 5-11
- Projectile, 155MM, Agent, H or HD, M110, 5-7
- Projectile, 155MM, AT, Remote Anti-Armor Mine System, M718/M718A1, 5-18
- Projectile, 155MM, AT, Remote Anti-Armor Mine System, M741, 5-18
- Projectile, 155MM, DPICM, M864, 5-15
- Projectile, 155MM, Gas, VX (Persistent) or GB (Non-Persistent) M121A1, 5-9
- Projectile, 155MM, HE, M107, 5-6
- Projectile, 155MM, HE, M692, 5-17
- Projectile, 155MM, HE, M731, 5-17
- Projectile, 155MM, HE, M795, 5-6
- Projectile, 155MM, HEAT, M712, 5-19
- Projectile, 155MM, ICM, M449 Series, 5-13
- Projectile, 155MM, ICM, M483A1, 5-14
- Projectile, 155MM, Practice M804/M804A1, 5-20
- Projectile, 155MM, Smoke, HC, M116A1, 5-11
- Projectile, 155MM, Smoke, WP, M825/M825A1, 5-10
- Projectile, 155MM, Training, M823, 5-19
- Projectile/Fuze Combinations for Howitzer M109A6 with M284 Cannon, 5-21
- Projectile/Propelling Charge Combinations for Howitzer M109A6 with M284 Cannon, 5-23
- Projectiles Stowage, Vertical and Horizontal, E-14
- Projectiles, 155MM HE, Rocket Assist M549/M549A1, 5-12
- Projectiles, Authorized Projectiles, Foreign (NATO), 6-2
- Projectiles, Authorized Projectiles, U.S., 5-5
- Projectiles, Maintenance, 5-65
- Projectiles, Smoke, WP, M110A1 (M110E2), and M110A2 (M110E3), 5-8
- Projectiles, Uploading and Stowing, E-14
- Propellant Charge Canisters, Uploading and Stowing, E-10

ALPHABETICAL INDEX - CONTINUED

Propelling Charge Preparation, 5-57
 Propelling Charge, M119A1, 5-57
 Propelling Charge, M119A2, 5-57
 Propelling Charge, M203 and M203A1, 5-57
 Propelling Charges, M3A1 and M4A2, 5-57
Propelling Charge, M119A1, 5-32, 5-57
Propelling Charge, M119A2, 5-32, 5-57
Propelling Charge, M203, 5-33
Propelling Charge, M203 and M203A1, 5-57
Propelling Charge, M203A1, 5-33
Propelling Charge, M231, 5-34
■ Propelling Charge, M231 or M232/M232A1, 5-57
 Propelling Charge, M232, 5-34
 Propelling Charge, M3A1, 5-31
■ Propelling Charge, M232A1, 5-34.1
 Propelling Charge, M4A2, 5-31
 Propelling Charges, 6-19
 Propelling Charges M119A1, M119A2, M203, and
 M203A1, Maintenance, 5-67
 Propelling Charges M3A1 and M4A2, Maintenance,
 5-66
 Propelling Charges, Foreign (NATO), 6-19
 Propelling Charges, M3A1 and M4A2, 5-57
 Propelling Charges, U.S., 5-31

R

Radio and Intercommunication Equipment, Operation
 of, Communications Equipment, Purpose of,
 2-317
Rammer Operational Checks, 3-92
Reduced Crew Drill, 1-43

References, A-1
 Field Manuals, A-1
 Forms, A-1
 Miscellaneous Publications, A-2
 Scope, A-1
 Technical Bulletins, A-1
 Technical Manuals, A-1
Refueling, 3-67
Releasing Gun Tube, 2-119
Replenisher, Servicing, 3-96
Reporting Equipment Improvements
 Recommendations (EIRs), 1-2

S

Safety, Care, and Handling, 1-1
Scope, 1-1
Scribe Verification Using the M145A1 PANTEL Mount
 Check, 3-151
Scribing the M145A1 Mount and Testing, 3-150
Section Drill, 1-40
Send Checkfire
 AFCS, 2-245
 PDFCS, 2-258.128
Service Intervals - Normal Conditions, 3-1
Service Intervals - Unusual Conditions, 3-1
Servicing Batteries, 3-68
Servicing Fuel System, 3-64
Sighting and Fire Control Equipment, Maintenance of,
 3-86
Sighting and Fire Control Instruments, 2-333
Slip Ring Segment Board Assembly Cleaning, 3-134

ALPHABETICAL INDEX - CONTINUED

Software Version/Configuration Display
 AFCS, 3-38
 PDFCS, 3-38.34

Special Corrections, Testing Reliability, 3-148

Special Preparation for the M577 Series Fuze, 5-44

Special Preparation of the M483A1 or M864 Projectile for Use in the Self-Registration Mode, 5-39, 5-40

Spheroid and Datum Tables, AFCS/BCS, J-1

Starting Disabled Vehicle, 2-87

Starting Engine, 2-82

Stencil and Label Locations (Cab and Hull Interior), E-3

Stencil Locations (Cab and Hull Exterior), E-2

Stopping the Vehicle, 2-101

Storage, Ammunition, 5-70
 Loose Projectile Restraint System (LPRS), 5-71
 General, 5-71
 Instructions, 5-71
 Use of LPRS, 5-71
 Provisions, 5-70.1, 5-70.2
 Sites, 5-70
 Temperature Limits, 5-70

Stored Targets
 AFCS, 2-245
 PDFCS, 2-258.128

Stowage and Sign Guide for Components of End Item, Basic Issue Items, and Applicable Additional Authorization List Items, E-1
 General, E-1
 Scope, E-1

Stowage of Extractor Assembly in Howitzer, 5-86

Stowage of M712 Projectiles in M109A6 Howitzer, 5-86

Stowed Items - Location Index (Cab Exterior), E-6

Stowed Items - Location Index (Cab Interior), E-8

Stowed Items - Location Index (Hull), E-9

Stowing Gun Tube, 2-123

Supplementary Charge, 5-41

Suspension System, 1-34

Symptom Index, 3-40

System Menus
 AFCS, 2-242
 PDFCS, 2-258.123

System Power-Up, AFCS, 2-152.1

System Power-Up, PDFCS, 2-258.20

T

Technical Bulletins, A-1

Technical Manuals, A-1

Telescope M117A2 and Mount M145A1, Operating, 2-135

Telescope M117A2, Alignment of, 2-137

Telescope M117A2, Installing, 2-134

Telescope Mount M145A1 (Azimuth Walk-off), Testing, 3-149

Temperature Check Procedures for MACS, M231 and M232/M232A1, Temperature Limits, 5-35

Testing Procedures for Fire Control Alignment, 3-138
 Auxiliary Quadrant on M145A1 Mounting Using the Gunner's Quadrant Testing, 3-152
 Boresighting the Weapon, 3-143
 Deflections, Testing and Reliability, 3-146
 Gunner's Quadrant End-For-End Test, 3-139
 Gunner's Quadrant Micrometer Test, 3-138
 Leveling the Trunnions Using the Plumbline, 3-140
 Leveling the Tube Using the Gunner's Quadrant, 3-143
 M145A1 Mount Using the Gunner's Quadrant on the Breech Quadrant Seats Testing, 3-155
 Scribe Verification Using the M145 PANTEL Mount Check, 3-151
 Scribing the M145 Mount and Testing, 3-150
 Special Corrections, Testing Reliability, 3-148
 Testing Telescope Mount M145 (Azimuth Walk-off), 3-149

Testing the Accuracy of the AFCS/PDFCS Elevation, 3-162

Towing Operations, 2-103

Track Maintenance, 3-70

Trainer, Embedded, F-1

Transmission Shift Selection, 2-94

ALPHABETICAL INDEX - CONTINUED

Travel Lock Control Box, 2-6
Travel Lock System, 1-37
Traversing and Elevating, 2-127
Troubleshooting, 3-43
 AFCS, 3-43
 Batteries/Electrical System, 3-55
 Bilge Pump, 3-57
 Cab Traversing System, 3-57
 Cannon Elevating System, 3-61
 Cannon/Breech, 3-58
 Communication Wire, 3-52
 Driver's Night Viewer, 3-52
 Engine, 3-53
 Lead Particulate Filter and Ventilation System, 3-56
 Loader Rammer, 3-60
 M93 MVS, 3-61
 MCS, 3-51
 Mount & Recoil Mechanism, 3-60
 PDFCS, 3-50.3
 Personnel Heater, 3-56
 Precision Lightweight GPS (Global Positioning System) Receiver, 3-61
 Radios, 3-52
 Steering, 3-55
 Tracks and Suspension, 3-56
 Transmission, 3-55
 Travel Lock, 3-60
Troubleshooting Procedures, 3-1
 General, 3-1
 Scope, 3-1
Tube Temperature
 AFCS, 2-247
 PDFCS, 2-258.130

U

Unloading 155MM Cannon, 2-301

Unloading an M712 Projectile, 5-83
Unpackaging, Inspection, M17 and M823 Projectiles, 5-73
Unserviceable Ammunition, 5-68
Uploading and Stowing Projectiles, E-14
Uploading and Stowing Propellant Charge Canisters, E-10

V

Vehicle Motion Sensor (VMS) Modem LED Removal (Hull/Cab), 3-131
Vehicle Motion Sensor Test
 AFCS, 3-27
 PDFCS, 3-38.23
Ventilation System, 2-313
Verification of Position and Direction Using Survey Data, 3-157

W

Warm Tube Misfire/Checkfire Procedures, 2-306
Warranty Information, 1-2
Weapon Control Test, 3-24.1
Winterization Heater Control Box, 2-6
Winterization Heater Control Box Lamp Removal (If Equipped), 3-83
Winterization Kit, Operating, 2-334

Z

Zeroing Pressure, 3-94

ALPHABETICAL INDEX (VERSION 7 AND 7P SOFTWARE)

A

- Abbreviations, AFCS and PDIU, L-188
- Abbreviations, PDFCS and PDI, M-187
- Accessing Warning Messages
 - PDI Warning Messages and Reconfiguration Advisor (Version 7P Software), G.3-1
 - PDIU Warning Messages and Reconfiguration Advisor (Version 7 Software), G.2-1
- AFCS and PDIU Abbreviations, L-188
- AFCS and PDIU Fault Detection, L-151
 - AFCS and PDIU Abbreviations, L-188
- AFCS Status, L-154
- Audio Alert Test, L-180
- Boresight Angle Entry, L-183
- CPU Environment Display, L-192
- Display Test, L-181
- Equivalent Full Charge (EFC), L-183
- Key and Switch Test, L-182
- PDIU System Test, L-160
- Power Up Built-In-Test (BIT), L-151
- Software Version/Configuration Display, L-191
- Vehicle Motion Sensor Test, L-178
- Weapon Control Test, L-174
- AFCS Confidence Tests, L-204
 - Testing the Accuracy of the AFCS Elevation, L-209
 - Verification of Position and Direction Using Survey Data, L-204
- AFCS Emergency Mission, L-124
- AFCS Fire Mission, L-114
 - AFCS Emergency Mission, L-124
 - Eplace, L-124
 - End of Mission, L-125
 - Lay, Load, Lay, and Fire, L-125
 - Ready Gun, L-125
- Ammunition Accountability, L-121
- Direct Fire Procedures Using AFCS, L-126
- Firing Mission, L-119
 - Subsequent Rounds, L-120
- End of Mission, L-123
- Platoon Operation Center, L-117
- System Menus, L-131
 - AFCS Status, L-137
 - Display Format, L-139
 - Display Intensity, L-140
 - Fire Commands, L-132
 - GPS Control, L-143
 - Last Move Orders, L-137
 - Manual Move Order, L-141
 - Maximum Tube Elevation, L-134
 - Messages, L-133
 - Muzzle Velocity, L-146
 - Operational Maintenance Transition, L-150
 - Record of Fire, L-143
 - Send Checkfire, L-136
 - Stored Targets, L-136
 - System Restart, L-138
 - Tube Temperature, L-138
- AFCS Initialization, L-23
 - Initialization After a Catastrophic Failure, L-94
 - Initializing, L-28
 - Initializing After an Orderly Shutdown, L-77
 - System Power-Up, L-23
- AFCS Operating Controls and Indicators, L-4
- AFCS Operating Modes, L-3
 - Maintenance Mode, L-4
 - Normal Operation Mode, L-4
 - Training Mode, L-3
- AFCS Status, L-137, L-154
- AFCS System Power-Up, L-23
- AFCS Travel Mode, L-96
 - Emplacement Fire Point/Fire Area, L-101
 - Emplacing, L-104
 - Establish Distant Aiming Point or Set Collimator (Optional), L-112
 - Final Laying of Gun Tube at Firing Area, L-113
 - Section In Order, L-110
 - Site Data, L-106
- Movement, L-96
 - Move Order, L-96
 - Moving, L-99
 - Moving with Navigation System Degraded, L-100
 - Zero Velocity Updates, L-99
- AFCS, Testing the Accuracy of the, L-209
- AFCS/PDFCS/FDC Spheroid and Datum Table, J.1-1
- AFCS/PDFCS/FDC Spheroid and Datum Table for Version 7 and 7P Software, J.1-1
- Ammunition Accountability
 - AFCS, L-121
 - PDFCS, M-125

**ALPHABETICAL INDEX
(VERSION 7 AND 7P SOFTWARE) - CONTINUED**

Audio Alert Test
 AFCS, L-180
 PDFCS, M-179
 Auxiliary Power Not Available
 AFCS, L-22
 PDFCS, M-23

B

Boresight Angle Entry
 AFCS, L-183
 PDFCS, M-182

C

CPU Environment Display
 AFCS, L-192
 PDFCS, M-192
 PDFCS, M-180

D

DC Power Messages
 Auxiliary Power Not Available
 AFCS, L-22
 PDFCS, M-23
 On Auxiliary Power
 AFCS, L-21
 PDFCS, M-22
 Vehicle and Auxiliary Power OK
 AFCS, L-22
 PDFCS, M-23
 DC Power Messages, AFCS, L-21
 DC Power Messages, PDFCS, M-22
 Diagnostic Mode Reconfiguration Advice Messages
 Version 7 Software, G.2-6
 Version 7P Software, G.3-6
 Direct Fire Procedures Using AFCS, L-126
 Direct Fire Procedures Using PDFCS, M-130
 Display Format
 AFCS, L-139
 PDFCS, M-143
 Display Intensity
 AFCS, L-140
 PDFCS, M-144

Display Test
 AFCS, L-181
 PDFCS, M-180

E

Embedded Trainer (Version 7 and 7P Software)
 Entering Training Mode, F.1-3
 General, F.1-1
 Initialize Training Option, F.1-18
 Level of Operation, F.1-4
 Levels of Training, F.1-1
 Emergency Mission
 AFCS, L-124
 PDFCS, M-128
 Emplace
 AFCS, L-124
 PDFCS, M-128
 Emplacement Fire Point/Fire Area
 AFCS, L-101
 PDFCS, M-105
 Emplacing
 AFCS, L-104
 PDFCS, M-108
 End of Mission
 AFCS, L-123, L-125
 PDFCS, M-127, M-129
 Equivalent Full Charge (EFC)
 AFCS, L-183
 PDFCS, M-182
 Establish Distant Aiming Point or Set Collimator
 (Optional)
 AFCS, L-112
 PDFCS, M-116

F

FBCB2 (SA) Mode, PDFCS, M-4
 FC Mode, PDFCS, M-3
 Final Laying of Gun Tube at Firing Area
 AFCS, L-113
 PDFCS, M-117
 Fire Commands
 AFCS, L-132
 PDFCS, M-136

ALPHABETICAL INDEX (VERSION 7 AND 7P SOFTWARE) - CONTINUED

Firing Mission
AFCS, L-119
PDFCS, M-123

G

GPS Control
AFCS, L-143
PDFCS, M-146

I

Initialization After a Catastrophic Failure
AFCS, L-94
PDFCS, M-98

Initialization After an Orderly Shutdown
AFCS, L-77
PDFCS, M-81

Initializing
AFCS, L-28
PDFCS, M-29

K

Key and Switch Test
AFCS, L-182
PDFCS, M-181

L

Last Move Orders
AFCS, L-137
PDFCS, M-141

Lay, Load, Lay, and Fire
AFCS, L-125
PDFCS, M-129

M

Maintenance Mode
AFCS, L-4
PDFCS, M-4

Manual Move Order
AFCS, L-141
PDFCS, M-145

Maximum Tube Elevation
AFCS, L-134
PDFCS, M-138

Messages

AFCS, L-133
PDFCS, M-137

Move Order
AFCS, L-96
PDFCS, M-100

Movement, PDFCS Travel Mode, M-100
Movement, AFCS Travel Mode, L-96

Moving
AFCS, L-99
PDFCS, M-103

Moving with Navigation System Degraded
AFCS, L-100
PDFCS, M-104

N

Normal Operation Mode
AFCS, L-4
PDFCS, M-4

O

On Auxiliary Power
AFCS, L-21
PDFCS, M-22

Operation Mode Reconfiguration Advice Messages
Version 7 Software, G.2-4
Version 7P Software, G.3-4

Operation Mode Warning Messages
PDI, G.3-3
PDIU, G.2-3

Operation of Automatic Fire Control System (AFCS),
DC Power Messages, L-21

Operation of Automatic Fire Control System (AFCS)
(Version 7 Software), L-1
AFCS Operating Modes, L-3
General, L-3
Scope, L-3

Operation of Automatic Fire Control System
(PDFCS), DC Power Messages, M-22

Operation of Paladin Digital Fire Control System
(PDFCS) (Version 7P Software), M-1
General, M-3
PDFCS Operating Modes, M-3
Scope, M-3

Operational Maintenance Transition
AFCS, L-150
PDFCS, M-155

**ALPHABETICAL INDEX
(VERSION 7 AND 7P SOFTWARE) - CONTINUED**

P

- PDFCS and PDCU Abbreviations, M-187
- PDFCS and PDI Fault Detection, M-156
 - Audio Alert Test, M-179
 - Boresight Angle Entry, M-182
 - CPU Environment Display, M-192
 - Display Test, M-180
 - Equivalent Full Charge (EFC), M-182
 - Key and Switch Test, M-181
- PDFCS and PDCU Abbreviations, M-187
- PDFCS Status, M-159
- PDI System Test, M-163
- Power Up Built-In-Test (BIT), M-156
- Software Version/Configuration Display, M-191
- Vehicle Motion Sensor Test, M-177
- PDFCS Confidence Tests, M-204
 - Testing the Accuracy of the PDFCS Elevation, M-209
 - Verification of Position and Direction Using Survey Data, M-204
- PDFCS Emergency Mission, M-128
- PDFCS Fire Mission, M-118
 - Ammunition Accountability, M-125
 - Direct Fire Procedures Using PDFCS, M-130
 - Firing Mission, M-123
 - Subsequent Rounds, M-125
 - End of Mission, M-127
- PDFCS Emergency Mission, M-128
 - Emplace, M-128
 - End of Mission, M-129
 - Lay, Load, Lay, and Fire, M-129
 - Ready Gun, M-129
- Platoon Operation Center, M-121
- System Menus, M-135
 - Display Format, M-143
 - Display Intensity, M-144
 - Fire Commands, M-136
 - GPS Control, M-146
 - Last Move Orders, M-141
 - Manual Move Order, M-145
 - Maximum Tube Elevation, M-138
 - Messages, M-137
 - Muzzle Velocity, M-151
 - Operational Maintenance Transition, M-155
 - PDFCS Status, M-141
 - Record of Fire, M-148
 - Send Checkfire, M-140
 - Stored Targets, M-140
 - System Restart, M-142
 - Tube Temperature, M-142
- PDFCS Initialization, M-24
 - Initialization After a Catastrophic Failure, M-98
 - Initialization After an Orderly Shutdown, M-81
 - Initializing, M-29
 - System Power-Up, M-24
- PDFCS Operating Controls and Indicators, M-5
- PDFCS Operating Modes, M-3
 - FBCB2 (SA) Mode, M-4
 - FC Mode, M-3
 - Maintenance Mode, M-4
 - Normal Operation Mode, M-4
 - Training Mode, M-4
- PDFCS Status, M-141, M-159
- PDFCS System Power-Up, M-24
- PDFCS Travel Mode, M-100
 - Emplacement Fire Point/Fire Area, M-105
 - Emplacing, M-108
 - Establish Distant Aiming Point or Set Collimator (Optional), M-116
 - Final Laying of Gun Tube at Firing Area, M-117
 - Section In Order, M-114
 - Site Data, M-110
 - Movement, M-100
 - Move Order, M-100
 - Moving, M-103
 - Moving with Navigation System Degraded, M-104
 - Zero Velocity Updates, M-103
- PDFCS, Testing the Accuracy of the, M-209
- PDI System Test, M-163
- PDI Warning Messages and Reconfiguration Advisor (Version 7P Software), G.3-1
 - Accessing Warning Messages, G.3-1
 - General, G.3-1
 - Scope, G.3-1
 - Warning/Advisor Messages, G.3-3
- PDIU System Test, L-160
- PDIU Warning Messages and Reconfiguration Advisor (Version 7 Software), G.2-1
 - Accessing Warning Messages, G.2-1
 - General, G.2-1

ALPHABETICAL INDEX (VERSION 7 AND 7P SOFTWARE) - CONTINUED

Scope, G.2-1
Warning/Advisor Messages, G.2-3
Platoon Operation Center
AFCS, L-117
PDFCS, M-121
Power Up Built-In-Test (BIT)
AFCS, L-151
PDFCS, M-156

R

Ready Gun
AFCS, L-125
PDFCS, M-129
Record of Fire
AFCS, L-143, L-146
PDFCS, M-148, M-151

S

Section In Order
AFCS, L-110
PDFCS, M-114
Send Checkfire
AFCS, L-136
PDFCS, M-140
Site Data
AFCS, L-106
PDFCS, M-110
Software Version/Configuration Display
AFCS, L-191
PDFCS, M-191
Spheroid and Datum Tables, AFCS/PDFCS/FDC,
J.1-1
Stored Targets
AFCS, L-136
PDFCS, M-140
Subsequent Rounds
AFCS, L-120
PDFCS, M-125
Symptom Index
AFCS, L-193
PDFCS, M-193
System Menus
AFCS, L-131
PDFCS, M-135

System Power-Up
AFCS, L-23
PDFCS, M-24
System Restart
AFCS, L-138
PDFCS, M-142

T

Testing the Accuracy of the AFCS Elevation, L-209
Testing the Accuracy of the PDFCS Elevation, M-209
Trainer, Embedded (Version 7 and 7P Software),
F.1-1
Training Mode
AFCS, L-3
PDFCS, M-4
Troubleshooting
AFCS, L-194
PDFCS, M-194
Tube Temperature
AFCS, L-138
PDFCS, M-142

V

Vehicle and Auxiliary Power OK
AFCS, L-22
PDFCS, M-23
Vehicle Motion Sensor Test
AFCS, L-178
PDFCS, M-177
Verification of Position and Direction Using Survey
Data
AFCS, L-204
PDFCS, M-204

W

Warning/Advisor Messages
AFCS, G.2-3
PDFCS, G.3-3
Weapon Control Test, L-174

Z

Zero Velocity Updates
AFCS, L-99
PDFCS, M-103

ALPHABETICAL INDEX (VERSION 2 AND 2P SOFTWARE)

A

- Abbreviations, AFCS and PDIU, N-238
- Abbreviations, PDFCS and PDI, O-238
- Accessing Warning Messages, PDI/PDIU Warning Messages and Reconfiguration Advisor (Version 2 and 2P Software), G.4-1
- AFCS and PDIU Abbreviations, N-238
- AFCS and PDIU Fault Detection, N-201
 - AFCS and PDIU Abbreviations, N-238
 - AFCS Status, N-204
- Audio Alert Test, N-230
- Boresight Angle Entry Test, N-233
- CPU Environment Display, N-244
- Display Test, N-231
- Equivalent Full Charge (EFC), N-233
- Inductive Fuze Setter Display, O-245
- Key and Switch Test, N-232
- PDIU System Test, N-210
- Power Up Built-In-Test (BIT), N-201
- Software Version/Configuration Display, N-242
- Vehicle Motion Sensor Test, N-228
- Weapon Control Test, N-224
- AFCS Confidence Tests, N-256
 - Testing the Accuracy of the AFCS Elevation, N-261
 - Verification of Position and Direction Using Survey Data, N-256
- AFCS Emergency Mission, N-156
- AFCS Fire Mission, N-146
 - AFCS Emergency Mission, N-156
 - Emplace, N-156
 - End of Mission, N-157
 - Lay, Load, Lay, and Fire, N-157
 - Ready Gun, N-157
- Ammunition Accountability, N-153
- Direct Fire Procedures Using AFCS, N-158
- Firing Mission, N-150
 - Subsequent Rounds, N-152
- End of Mission, N-155
- Platoon Operation Center, N-148
- System Menus, N-163
 - AFCS Status, N-175
 - Display Format, N-178
 - Display Intensity, N-179
 - Fire Commands, N-164
 - GPS Control, N-181
 - Last Move Orders, N-176
 - Manual Move Order, N-180
 - Maximum Tube Elevation, N-171
 - Messages, N-170
 - Muzzle Velocity, N-196
 - Operational Maintenance Transition, N-200
 - Record of Fire, N-182
 - Send Checkfire, N-173
 - Stored Targets, N-173
 - System Restart, N-177
 - Tube Temperature, N-177
- AFCS Initialization, N-52
 - Initialization After a Catastrophic Failure, N-128
 - Initializing, N-58
 - Initializing After an Orderly Shutdown, N-111
 - System Power-Up, N-52
- AFCS Operating Controls and Indicators, N-4
- AFCS Operating Modes, N-3
 - Maintenance Mode, N-4
 - Normal Operation Mode, N-4
 - Training Mode, N-3
- AFCS Status, N-204
- AFCS System Power-Up, N-52
- AFCS Travel Mode, N-130
 - Emplacement Fire Point/Fire Area, N-135
 - Emplacing, N-137
 - Establish Distant Aiming Point or Set Collimator (Optional), N-145
 - Final Laying of Gun Tube at Firing Area, N-145
 - Section In Order, N-143
 - Site Data, N-139
 - Movement, N-130
 - Move Order, N-130
 - Moving, N-133
 - Moving with Navigation System Degraded, N-134
 - Zero Velocity Updates, N-133
- AFCS, Testing the Accuracy of the, N-261
- AFCS/PDFCS/FDC Spheroid and Datum Table, J.1-1
- AFCS/PDFCS/FDC Spheroid and Datum Table for Version 7 and 7P and 2 and 2P Software, J.1-1

**ALPHABETICAL INDEX
(VERSION 2 AND 2P SOFTWARE) - CONTINUED**

Ammunition Accountability
AFCS, N-153
PDFCS, O-156

Audio Alert Test
AFCS, N-230
PDFCS, O-230

Auxiliary Power Not Available
AFCS, N-51
PDFCS, O-53

Display Format
AFCS, N-178
PDFCS, O-183

Display Intensity
AFCS, N-179
PDFCS, O-184

Display Test
AFCS, N-231
PDFCS, O-231

B

Boresight Angle Entry, PDFCS, O-233
Boresight Angle Entry Test, AFCS, N-233

C

CPU Environment Display
AFCS, N-244
PDFCS, O-244

D

DC Power Messages
Auxiliary Power Not Available
AFCS, N-51
PDFCS, O-53
On Auxiliary Power
AFCS, N-50
PDFCS, O-52
Vehicle and Auxiliary Power OK
AFCS, N-51
PDFCS, O-53

DC Power Messages, AFCS, N-50

DC Power Messages, PDFCS, O-52

Diagnostic Mode Reconfiguration Advice Messages
Version 7 Software, G.4-1
Version 7P Software, G.4-1

Direct Fire Procedures Using AFCS, N-158

Direct Fire Procedures Using PDFCS, O-161

E

Embedded Trainer (Version 2.0 and 2.0P Software),
General, F.2-1

Embedded Trainer (Version 7 and 7P Software)
Entering Training Mode, F.2-3
Initialize Training Option, F.2-18
Level of Operation, F.2-4
Levels of Training, F.2-1

Emergency Mission
AFCS, N-156
PDFCS, O-159

Emplace
AFCS, N-156
PDFCS, O-159

Emplacement Fire Point/Fire Area
AFCS, N-135
PDFCS, O-139

Emplacing
AFCS, N-137
PDFCS, O-141

End of Mission
AFCS, N-155, N-157
PDFCS, O-158, O-160

Equivalent Full Charge (EFC)
AFCS, N-233
PDFCS, O-233

Establish Distant Aiming Point or Set Collimator
(Optional), PDFCS, O-149

F

FBCB2 (SA) Mode, PDFCS, O-4

ALPHABETICAL INDEX (VERSION 2 AND 2P SOFTWARE) - CONTINUED

FC Mode, PDFCS, O-3

Final Laying of Gun Tube at Firing Area

AFCS, N-145

PDFCS, O-149

Fire Commands, AFCS, N-164, O-167

Firing Mission

AFCS, N-150

PDFCS, O-154

G

GPS Control

AFCS, N-181

PDFCS, O-186

I

Inductive Fuze Setter Display, AFCS, O-245

Initialization After a Catastrophic Failure

AFCS, N-128

PDFCS, O-132

Initialization After an Orderly Shutdown

AFCS, N-111

PDFCS, O-115

Initializing

AFCS, N-58

PDFCS, O-61

K

Key and Switch Test

AFCS, N-232

PDFCS, O-232

L

Last Move Orders

AFCS, N-176

PDFCS, O-181

Lay, Load, Lay, and Fire

AFCS, N-157

PDFCS, O-160

M

Maintenance Mode

AFCS, N-4

PDFCS, O-4

Manual Move Order

AFCS, N-180

PDFCS, O-185

Maximum Tube Elevation

AFCS, N-171

PDFCS, O-174

Messages

AFCS, N-170

PDFCS, O-173

Move Order

AFCS, N-130

PDFCS, O-134

Movement, PDFCS Travel Mode, O-134

Movement, AFCS Travel Mode, N-130

Moving

AFCS, N-133

PDFCS, O-137

Moving with Navigation System Degraded

AFCS, N-134

PDFCS, O-138

N

Normal Operation Mode

AFCS, N-4

PDFCS, O-4

O

On Auxiliary Power

AFCS, N-50

PDFCS, O-52

Operation of Automatic Fire Control System (AFCS),
DC Power Messages, N-50

Operation of Automatic Fire Control System (AFCS)
(Version 2 Software), N-1

AFCS Operating Modes, N-3

**ALPHABETICAL INDEX
(VERSION 2 AND 2P SOFTWARE) - CONTINUED**

General, N-3
 Scope, N-3
 Operation of Automatic Fire Control System (PDFCS), DC Power Messages, O-52
 Operation of Paladin Digital Fire Control System (PDFCS) (Version 2P Software), O-1
 Operation of Paladin Digital Fire Control System (PDFCS) (Version 2P Software)
 General, O-3
 PDFCS Operating Modes, O-3
 Scope, O-3
 Operational Maintenance Transition
 AFCS, N-200
 PDFCS, O-205

P

PDFCS and PDCU Abbreviations, O-238
 PDFCS and PDI Fault Detection, O-206
 Audio Alert Test, O-230
 Boresight Angle Entry, O-233
 CPU Environment Display, O-244
 Display Test, O-231
 Equivalent Full Charge (EFC), O-233
 Key and Switch Test, O-232
 PDFCS and PDCU Abbreviations, O-238
 PDFCS Status, O-209
 PDI System Test, O-214
 Power Up Built-In-Test (BIT), O-206
 Software Version/Configuration Display, O-242
 Vehicle Motion Sensor Test, O-228
 PDFCS Confidence Tests, O-258
 Testing the Accuracy of the PDFCS Elevation, O-263
 Verification of Position and Direction Using Survey Data, O-258
 PDFCS Emergency Mission, O-159
 PDFCS Fire Mission, O-150
 Ammunition Accountability, O-156
 Direct Fire Procedures Using PDFCS, O-161
 Firing Mission, O-154
 Subsequent Rounds, O-156
 End of Mission, O-158

PDFCS Emergency Mission, O-159
 Emplace, O-159
 End of Mission, O-160
 Lay, Load, Lay, and Fire, O-160
 Ready Gun, O-160
 Platoon Operation Center, O-152
 System Menus, O-166
 Display Format, O-183
 Display Intensity, O-184
 GPS Control, O-186
 Last Move Orders, O-181
 Manual Move Order, O-185
 Maximum Tube Elevation, O-174
 Messages, O-173
 Muzzle Velocity, O-201
 Operational Maintenance Transition, O-205
 PDFCS Status, O-178
 Record of Fire, O-187
 Send Checkfire, O-176
 Stored Targets, O-176
 System Restart, O-182
 Tube Temperature, O-181
 PDFCS Initialization, O-54
 Initialization After a Catastrophic Failure, O-132
 Initialization After an Orderly Shutdown, O-115
 Initializing, O-61
 System Power-Up, O-54
 PDFCS Operating Controls and Indicators, O-5
 PDFCS Operating Modes, O-3
 FBCB2 (SA) Mode, O-4
 FC Mode, O-3
 Maintenance Mode, O-4
 Normal Operation Mode, O-4
 Training Mode, O-4
 PDFCS Status, O-178, O-209
 PDFCS System Power-Up, O-54
 PDFCS Travel Mode, O-134
 Emplacement Fire Point/Fire Area, O-139
 Emplacing, O-141
 Establish Distant Aiming Point or Set Collimator (Optional), O-149
 Final Laying of Gun Tube at Firing Area, O-149
 Section In Order, O-147
 Site Data, O-143

ALPHABETICAL INDEX (VERSION 2 AND 2P SOFTWARE) - CONTINUED

Movement, O-134
 Move Order, O-134
 Moving, O-137
 Moving with Navigation System Degraded, O-138
 Zero Velocity Updates, O-137

PDFCS, Testing the Accuracy of the, O-263

PDI System Test, O-214

PDI Warning Messages and Reconfiguration Advisor
 (Version 2 and 2P Software), G.4-1
 Accessing Warning Messages, G.4-1
 General, G.4-1
 Scope, G.4-1
 Warning/Advisor Messages, G.4-3

PDIU System Test, N-210

PDIU Warning Messages and Reconfiguration
 Advisor (Version 2 and 2P Software), G.4-1
 Accessing Warning Messages, G.4-1
 General, G.4-1
 Scope, G.4-1
 Warning/Advisor Messages, G.4-3

Platoon Operation Center
 AFCS, N-148
 PDFCS, O-152

Power Up Built-In-Test (BIT)
 AFCS, N-201
 PDFCS, O-206

R

Ready Gun
 AFCS, N-157
 PDFCS, O-160

Record of Fire
 AFCS, N-182, N-196
 PDFCS, O-187, O-201

Record of Fire Data Display, PDFCS, N-190, O-195

Record of Fire Display, PDFCS, N-184, O-189

Record of Fire Select Target Display, PDFCS, N-183,
 O-188

S

Section In Order
 AFCS, N-143
 PDFCS, O-147

Send Checkfire
 AFCS, N-173
 PDFCS, O-176

Site Data
 AFCS, N-139
 PDFCS, O-143

Software Version/Configuration Display
 AFCS, N-242
 PDFCS, O-242

Spheroid and Datum Tables, AFCS/PDFCS/FDC,
 J.1-1

Stored Targets
 AFCS, N-173
 PDFCS, O-176

Subsequent Rounds
 AFCS, N-152
 PDFCS, O-156

Symptom Index
 AFCS, N-245
 PDFCS, O-247

System Menus
 AFCS, N-163
 PDFCS, O-166

System Power-Up
 AFCS, N-52
 PDFCS, O-54

System Restart
 AFCS, N-177
 PDFCS, O-182

T

Testing the Accuracy of the AFCS Elevation, N-261

Testing the Accuracy of the PDFCS Elevation, O-263

Trainer, Embedded (Version 2 and 2P Software),
 F.2-1

Training Mode
 AFCS, N-3

**ALPHABETICAL INDEX
(VERSION 2 AND 2P SOFTWARE) - CONTINUED**

PDFCS, O-4
Troubleshooting
AFCS, N-246
PDFCS, O-248
Tube Temperature
AFCS, N-177
PDFCS, O-181

V

Vehicle and Auxiliary Power OK
AFCS, N-51
PDFCS, O-53
Vehicle Motion Sensor Test
AFCS, N-228
PDFCS, O-228

Verification of Position and Direction Using Survey
Data
AFCS, N-256
PDFCS, O-258

W

Warning/Advisor Messages
AFCS, G.4-3
PDFCS, G.4-3
Weapon Control Test, N-224

Z

Zero Velocity Updates
AFCS, N-133
PDFCS, O-137

RECOMMENDED CHANGES TO PUBLICATIONS AND BLANK FORMS For use of this form, see AR 25-30; the proponent agency is ODISC4.					Use Part II (reverse) for Repair Parts and Special Tools Lists (RPSTL) and Supply Catalogs/Supply Manuals (SC/SM).		Date
TO: (Forward to proponent of publication or form) (Include ZIP Code)					FROM: (Activity and location) (include ZIP code)		
PART I – ALL PUBLICATIONS (EXCEPT RPSTL AND SC/SM) AND BLANK FORMS							
PUBLICATION/FORM NUMBER TM 9-2350-314-10				DATE February, 1999		TITLE Operator's Manual, Howitzer, Medium, Self-Propelled: 155MM, M109A6	
ITEM	PAGE	PARA	LINE	FIGURE NO.	TABLE	RECOMMENDED CHANGES AND REASON	
	1-2	1-5				Para 1-5 "DESTRUCTION OF ARMY MATERIAL TO PREVENT ENEMY USE" should be "1-5 DESTRUCTION OF ARMY MATERIEL TO PREVENT ENEMY USE"	
*Reference to line numbers within the paragraph or subparagraph.							
TYPED NAME, GRADE OR TITLE				TELEPHONE EXCHANGE/AUTOVON, PLUS EXTENSION		SIGNATURE	

TO: <i>(Forward direct to addressee listed in publication)</i>	FROM: <i>(Activity and location) (Include Zip Code)</i>	DATE
--	---	------

PART II - REPAIR PARTS AND SPECIAL TOOL LISTS AND SUPPLY CATALOGS/SUPPLY MANUALS

PUBLICATION NUMBER			DATE			TITLE		
PAGE NO.	COLM NO.	LINE NO.	NATIONAL STOCK NUMBER	REFERENCE NO.	FIGURE NO.	ITEM NO.	TOTAL NO. OF MAJOR ITEMS SUPPORTED	RECOMMENDED ACTION

PART III - REMARKS *(Any general remarks or recommendations, or suggestions for improvement of publications and blank forms. Additional blank sheets may be used if more space is needed.)*

SAMPLE

TYPED NAME, GRADE OR TITLE	TELEPHONE EXCHANGE/AUTOVON, PLUS EXTENSION	SIGNATURE
----------------------------	--	-----------

TO: <i>(Forward direct to addressee listed in publication)</i>	FROM: <i>(Activity and location) (Include Zip Code)</i>	DATE
--	---	------

PART II - REPAIR PARTS AND SPECIAL TOOL LISTS AND SUPPLY CATALOGS/SUPPLY MANUALS

PUBLICATION NUMBER			DATE			TITLE		
PAGE NO.	COLM NO.	LINE NO.	NATIONAL STOCK NUMBER	REFERENCE NO.	FIGURE NO.	ITEM NO.	TOTAL NO. OF MAJOR ITEMS SUPPORTED	RECOMMENDED ACTION

PART III - REMARKS *(Any general remarks or recommendations, or suggestions for improvement of publications and blank forms. Additional blank sheets may be used if more space is needed.)*

--

TYPED NAME, GRADE OR TITLE	TELEPHONE EXCHANGE/AUTOVON, PLUS EXTENSION	SIGNATURE
----------------------------	--	-----------

RECOMMENDED CHANGES TO PUBLICATIONS AND BLANK FORMS

For use of this form, see AR 25-30; the proponent agency is ODISC4.

Use Part II (reverse) for Repair Parts and Special Tools Lists (RPSTL) and Supply Catalogs/Supply Manuals (SC/SM).

Date

TO: (Forward to proponent of publication or form) (Include ZIP Code)

FROM: (Activity and location) (include ZIP code)

PART I – ALL PUBLICATIONS (EXCEPT RPSTL AND SC/SM) AND BLANK FORMS

PUBLICATION/FORM NUMBER
TM 9-2350-314-10

DATE
February, 1999

TITLE
Operator's Manual, Howitzer, Medium, Self-Propelled: 155MM, M109A6

ITEM	PAGE	PARA	LINE	FIGURE NO.	TABLE	RECOMMENDED CHANGES AND REASON

**Reference to line numbers within the paragraph or subparagraph.*

TYPED, GRADE OR TITLE

TELEPHONE EXCHANGE/AUTOVON, PLUS EXTENSION

SIGNATURE

TO: <i>(Forward direct to addressee listed in publication)</i>	FROM: <i>(Activity and location) (Include Zip Code)</i>	DATE
--	---	------

PART II - REPAIR PARTS AND SPECIAL TOOL LISTS AND SUPPLY CATALOGS/SUPPLY MANUALS

PUBLICATION NUMBER			DATE			TITLE		
PAGE NO.	COLM NO.	LINE NO.	NATIONAL STOCK NUMBER	REFERENCE NO.	FIGURE NO.	ITEM NO.	TOTAL NO. OF MAJOR ITEMS SUPPORTED	RECOMMENDED ACTION

PART III - REMARKS *(Any general remarks or recommendations, or suggestions for improvement of publications and blank forms. Additional blank sheets may be used if more space is needed.)*

TYPED NAME, GRADE OR TITLE	TELEPHONE EXCHANGE/AUTOVON, PLUS EXTENSION	SIGNATURE
----------------------------	--	-----------

TO: <i>(Forward direct to addressee listed in publication)</i>	FROM: <i>(Activity and location) (Include Zip Code)</i>	DATE
--	---	------

PART II - REPAIR PARTS AND SPECIAL TOOL LISTS AND SUPPLY CATALOGS/SUPPLY MANUALS

PUBLICATION NUMBER			DATE			TITLE		
PAGE NO.	COLM NO.	LINE NO.	NATIONAL STOCK NUMBER	REFERENCE NO.	FIGURE NO.	ITEM NO.	TOTAL NO. OF MAJOR ITEMS SUPPORTED	RECOMMENDED ACTION


PART III - REMARKS *(Any general remarks or recommendations, or suggestions for improvement of publications and blank forms. Additional blank sheets may be used if more space is needed.)*

--

TYPED NAME, GRADE OR TITLE	TELEPHONE EXCHANGE/AUTOVON, PLUS EXTENSION	SIGNATURE
----------------------------	--	-----------

By Order of the Secretary of the Army:

DENNIS J. REIMER
General, United States Army
Chief of Staff


JOEL B. HUDSON
Acting Administrative Assistant to the
Secretary of the Army
05380

DISTRIBUTION: To be distributed in accordance with DA Form 12-37-E, block 1931 requirements for TM 9-2350-314-10.

CONVERSION TABLE

inch	decimal	mm	inch	decimal	mm	inch	decimal	mm
1/64	0.015625	0.3969	23/64	0.359375	9.1281			
1/32	0.031250	0.7938	3/8	0.375000	9.5250	45/64	0.703125	17.8594
3/64	0.046875	1.1906				23/32	0.718750	18.2562
1/16	0.062500	1.5875	25/64	0.390625	9.9219	47/64	0.734375	18.6531
			13/32	0.406250	10.3188	3/4	0.750000	19.050
5/64	0.078125	1.9844	27/64	0.421875	10.7156			
3/32	0.093750	2.3812	7/16	0.437500	11.1125	49/64	0.765625	19.4469
7/64	0.109375	2.7781				25/32	0.781250	19.8437
1/8	0.125000	3.1750	29/64	0.453125	11.5094	51/64	0.796875	20.2406
			15/32	0.468750	11.9062	13/16	0.812500	20.6375
9/64	0.140625	3.5719	31/64	0.484375	12.3031			
5/32	0.156250	3.9688	1/2	0.500000	12.7000	53/64	0.828125	21.0344
11/64	0.171875	4.3656				27/32	0.843750	21.4312
3/16	0.187500	4.7625	33/64	0.515625	13.0969	55/64	0.859375	21.8281
			17/32	0.531250	13.4938	7/8	0.875000	22.2250
13/64	0.203125	5.1594	35/64	0.546875	13.8906			
7/32	0.218750	5.5562	9/16	0.562500	14.2875	57/64	0.890625	22.6219
15/64	0.234375	5.9531				29/32	0.906250	23.0188
1/4	0.250000	6.3500	37/64	0.578125	14.6844	59/64	0.921875	23.4156
			19/32	0.593750	15.0812	15/16	0.937500	23.8125
17/64	0.265625	6.7469	39/64	0.609375	15.4781			
9/32	0.281250	7.1438	5/8	0.625000	15.8750	61/64	0.953125	24.2094
19/64	0.296875	7.5406				31/32	0.967500	24.6062
5/16	0.312500	7.9375	41/64	0.640625	16.2719	63/64	0.984375	25.0031
			21/32	0.656250	16.6688			
21/64	0.328125	8.3344	43/64	0.671875	17.0656	1	1.000000	25.4000
11/32	0.343750	8.7312	11/16	0.687500	17.4625			

THE METRIC SYSTEM AND EQUIVALENTS

LINEAR MEASURE

1 Centimeter = 10 Millimeters = 0.01 Meters = 0.3937 Inches
 1 Meter = 100 Centimeters = 1000 Millimeters = 39.37 Inches
 1 Kilometer = 1000 Meters = 0.621 Miles

WEIGHTS

1 Gram = 0.001 Kilograms = 1000 Milligrams = 0.035 Ounces
 1 Kilogram = 1000 Grams = 2.2 Lb.
 1 Metric Ton = 1000 Kilograms = 1 Megagram = 1.1 Short Tons

LIQUID MEASURE

1 Milliliter = 0.001 Liters = 0.0338 Fluid Ounces
 1 Liter = 1000 Milliliters = 33.82 Fluid Ounces

SQUARE MEASURE

1 Sq. Centimeter = 100 Sq. Millimeters = 0.155 Sq. Inches
 1 Sq. Meter = 10,000 Sq. Centimeters = 10.76 Sq. Feet
 1 Sq. Kilometer = 1,000 Sq. Meters = 0.386 Sq. Miles

CUBIC MEASURE

1 Cu. Centimeter = 1000 Cu. Millimeters = 0.06 Cu. Inches
 1 Cu. Meter = 1,000,000 Cu. Centimeters = 35.31 Cu. Feet

TEMPERATURE

$^{\circ}\text{C} = 5/9 (^{\circ}\text{F} - 32)$
 212 $^{\circ}$ Fahrenheit is equivalent to 100 $^{\circ}$ Celsius
 90 $^{\circ}$ Fahrenheit is equivalent to 32.2 $^{\circ}$ Celsius
 32 $^{\circ}$ Fahrenheit is equivalent to 0 $^{\circ}$ Celsius
 $(9/5 \times ^{\circ}\text{C}) + 32 = ^{\circ}\text{F}$

APPROXIMATE CONVERSION FACTORS

TO CHANGE	TO	MULTIPLY BY
Inches	Centimeters	2.540
Feet	Meters	0.305
Yards	Meters	0.914
Miles	Kilometers	1.609
Square Inches	Square Centimeters	6.451
Square Feet	Square Meters	0.093
Square Yards	Square Meters	0.836
Square Miles	Square Kilometers	2.590
Acres	Square Hectometers	0.405
Cubic Feet	Cubic Meters	0.028
Cubic Yards	Cubic Meters	0.765
Fluid Ounces	Milliliters	29.573
Pints	Liters	0.473
Quarts	Liters	0.946
Gallons	Liters	3.785
Ounces	Grams	28.349
Pounds	Kilograms	0.454
Short Tons	Metric Tons	0.907
Pound-Feet	Newton-Meters	1.356
Pounds per Square Inch	Kilopascals	6.895
Miles per Gallon	Kilometers per Liter	0.425
Miles per Hour	Kilometers per Hour	1.609

TO CHANGE	TO	MULTIPLY BY
Centimeters	Inches	0.394
Meters	Feet	3.280
Meters	Yards	1.094
Kilometers	Miles	0.621
Square Centimeters	Square Inches	0.155
Square Meters	Square Feet	10.764
Square Meters	Square Yards	1.196
Square Kilometers	Square Miles	0.386
Square Hectometers	Acres	2.471
Cubic Meters	Cubic Feet	35.315
Cubic Meters	Cubic Yards	1.308
Milliliters	Fluid Ounces	0.034
Liters	Pints	2.113
Liters	Quarts	1.057
Liters	Gallons	0.264
Grams	Ounces	0.035
Kilograms	Pounds	2.205
Metric Tons	Short Tons	1.102
Newton-Meters	Pound-Feet	0.738
Kilopascals	Pounds per Square Inch	0.145
Kilometers per Liter	Miles per Gallon	2.354
Kilometers per Hour	Miles per Hour	0.621

